



Count on it.

Parts Catalog

GrandStand® Mower

With 60in TURBO FORCE® Cutting Unit

Model No. 74553—Serial No. 31000001 and Up

Ordering Replacement Parts

To order replacement parts, please supply the part number, the quantity, and the description of each part desired.

Understanding Reference Numbers

Each identified part in an illustration has a reference number. The reference number for a part also appears in the parts list, along with other information about the part.

This catalog uses two special reference number formats, one to indicate parts in a service assembly and another to indicate the quantity of a given part in an illustration.

Service Assembly Reference Numbers

Parts in service assemblies have reference numbers in the form a:b. The a represents the reference number of the entire service assembly and the b represents a sequential number unique to each part within the service assembly.

For example, a wheel assembly might be identified by reference number 6, the tire by 6:1, the valve by 6:2, and the wheel by 6:3. When you order the assembly identified by reference number 6, you receive all parts identified by reference numbers 6:1, 6:2, and 6:3. However, you may also order any part individually. Reference numbers of this type appear in illustration and in parts lists.

Reference Numbers Indicating Quantity

In an illustration, if a reference number indicates more than one part, the reference number has the form nX y. The n represents the quantity of the part, the X is the multiplication symbol, and the y represents the reference number.

For example, in an illustration, the reference number 2X 37 means that two of the parts identified by reference number 37 are indicated.

List of Abbreviations

AR: as required

ASM: assembly

BBC: blade brake control

BHTF: button head thread forming

CARR: carriage

CCW: counter clockwise

CW: clockwise

DEG: degrees

DPA: Dual Point Adjustment

ECM: electronic control module

EXT: external

FH: flat head

GA: gauge

HD: heavy-duty

HF: hex flange

HH: hex head

HHF: hex head flange

HHFTF: hex head flange thread forming

HJ: hex jam

HLH: hex lag head

HOC: height-of-cut

HSBH: hex socket button head

HSFH: hex socket flat head

HSH: hex socket head

HWH: hex washer head

HWHTF: hex washer head thread forming

HYD: hydraulic

LH: left hand

LP: Liquid Propane

NI: nylon insert

NPTF: national pipe thread fine

PFH: phillips flat head

PPH: phillips pan head

PPHTF: phillips pan head thread forming

PRH: phillips round head

PTH: phillips truss head

PTO: power-take-off

RH: right hand

ROPS: roll-over protection system

RRB: rear roller brush

SFH: slotted fillister head

SHH: slotted hex head

SHWH: slotted hex washer head

SPH: slotted pan head

SQH: square head

SRH: slotted round head

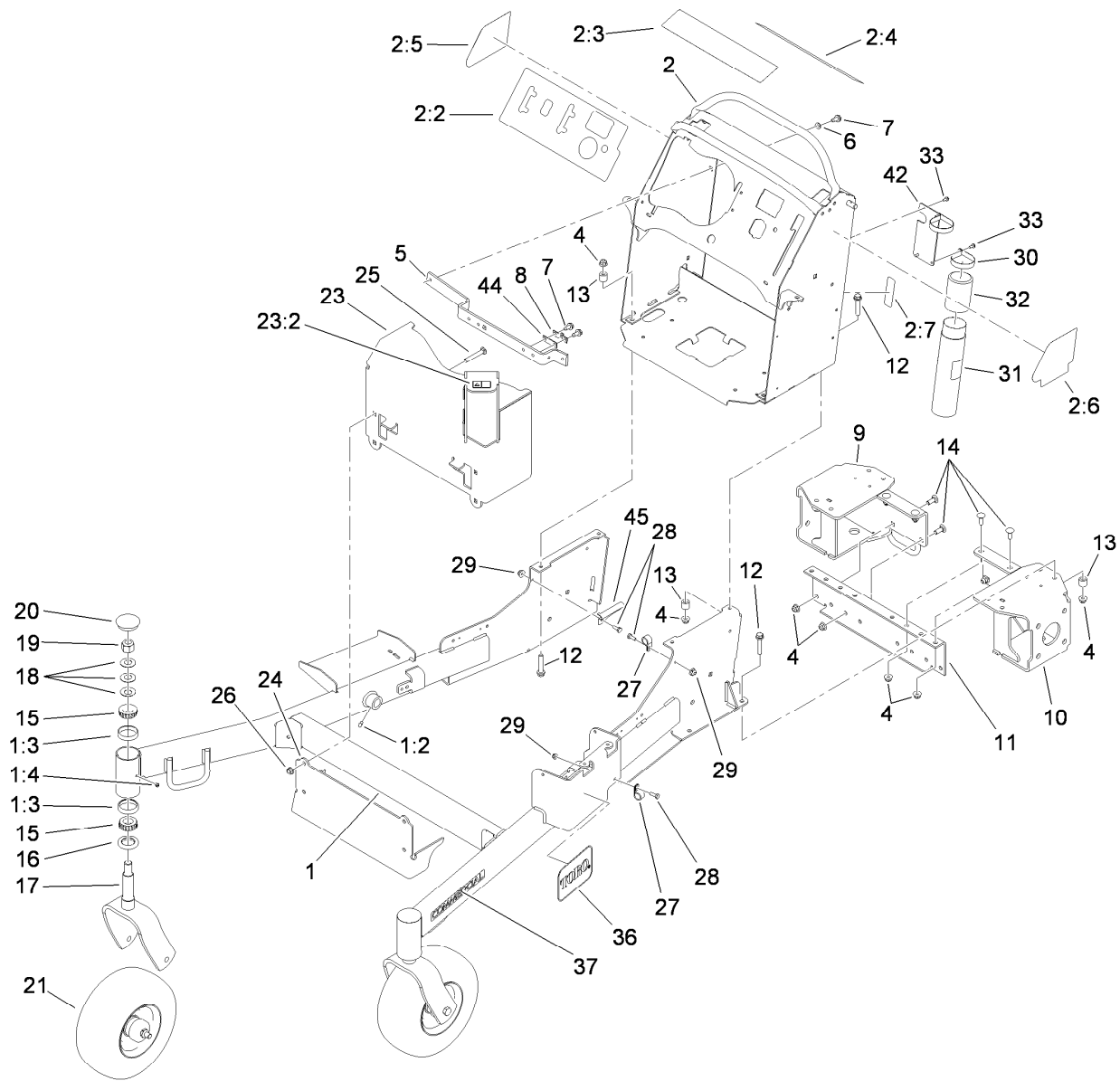
STD: standard

TAP: self tapping

TTH: torx truss head

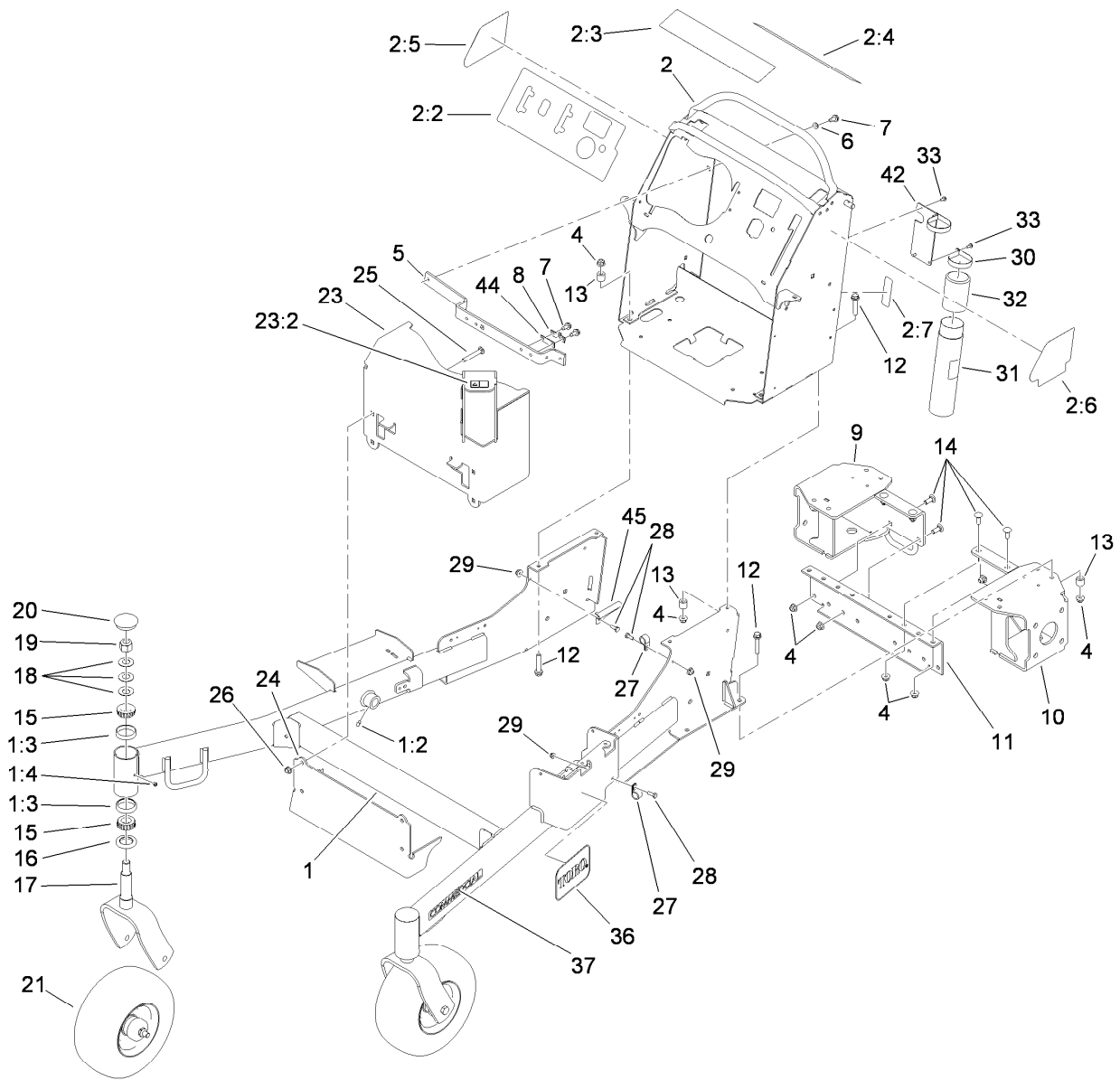
Contents

Frame Assembly.....	4
Wheel and Bearing Assembly No. 112-3810.....	6
Park Brake Assembly.....	7
Decklift Assembly.....	8
Platform Assembly.....	10
Cushion Assembly No. 117-9770.....	11
Platform Assembly No. 117-9640.....	12
Ground Drive Assembly.....	13
Hydraulic Motor Assembly No. 114-0549.....	15
Hydraulic Pump Assembly No. 117-3597.....	16
Pump Idler Assembly.....	17
Control Assembly.....	18
Engine Assembly.....	20
Fuel Tank Assembly.....	21
Electrical Assembly.....	22
Deck Assembly.....	23
Deck Assembly No. 117-0501.....	24
Spring Idler Assembly No. 117-0445.....	25
Idler Adjust Assembly No. 117-9791.....	26
Spindle Assembly No. 117-6158.....	27
Deflector Assembly No. 114-1910.....	28
Attachments and Accessories.....	29



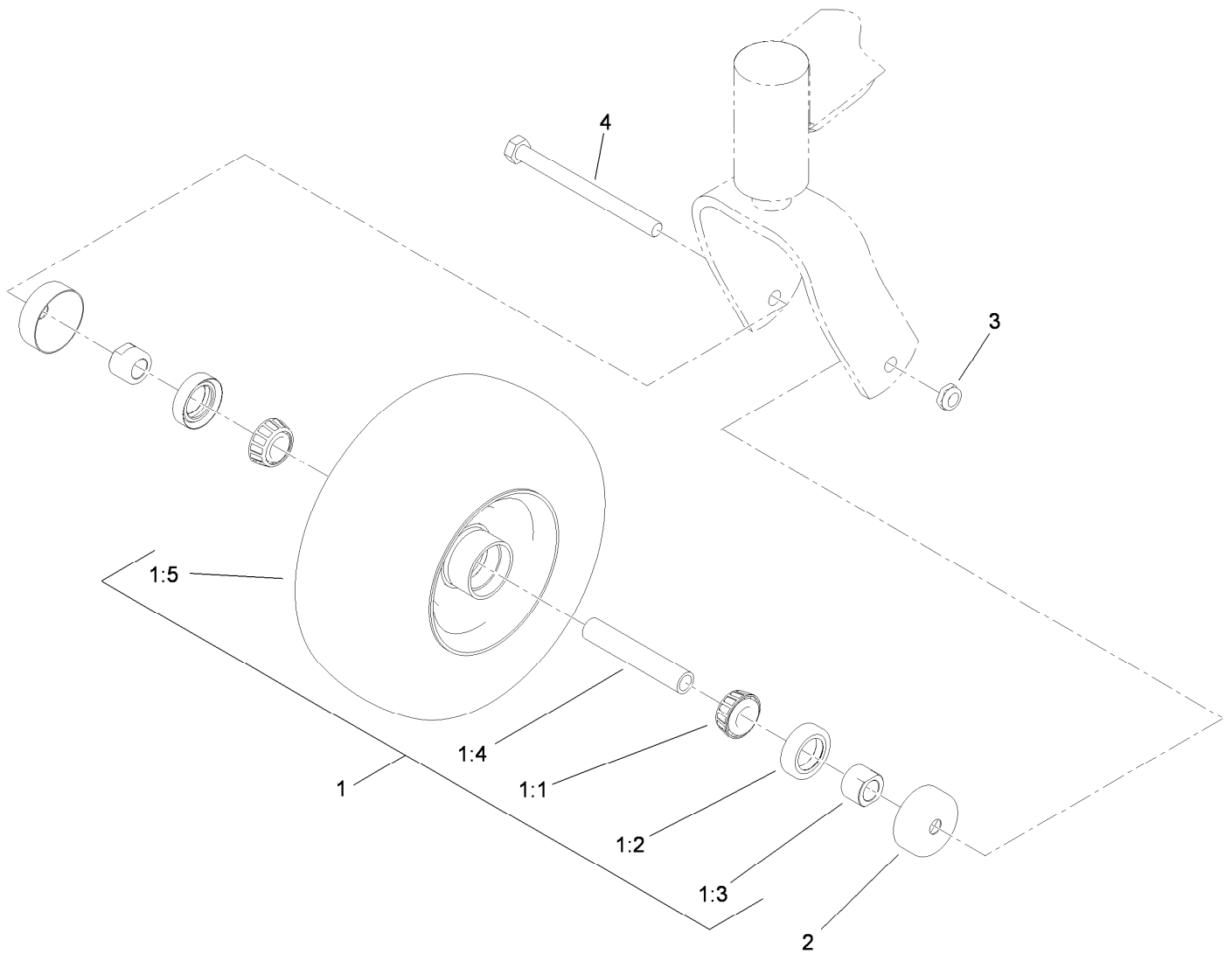
Frame Assembly

Ref.	Part Number	Qty.	Description	Ref.	Part Number	Qty.	Description
1	114-3580	1	Front Frame ASM	14	3231-22	8	Screw-CARR
1:2	302-5	2	Fitting-Grease	15	1-543509	4	Bearing-Roller, Tapered
1:3	1-543508	4	Cup-Bearing	16	1-543511	2	Seal-Grease
1:4	1-811010	2	Plug	17	103-8618-01	2	Fork-Caster
2	119-7246	1	Control Tower ASM	18	1-633508	6	Washer-Bellville
2:2	119-7245	1	Decal-Panel, Control	19	3296-51	2	Nut-Lock, NI
2:3	117-0454	1	Decal-Opc	20	103-4882	2	Cap-Grease
2:4	117-3626	1	Decal-Warning	21	112-3810	2	Wheel/Tire And Bearing ASM
2:5	117-0456	1	Decal-HOC	23	116-2490	1	Muffler Guard ASM
2:6	117-0485	1	Decal-Aid, Service	23:2	106-5517	1	Decal-Warning, Hot Surface
2:7	116-3267	1	Decal-Fuse	24	116-3113-01	1	Panel-Guard
4	104-8301	16	Nut-Flange, NI	25	3231-31	4	Screw-CARR
5	114-1921-03	1	Bar-Cable	26	32128-21	4	Nut-HF
6	3256-23	2	Washer-Flat	27	2412-87	2	Clamp-Cable
7	32144-70	6	Screw-HWHTF	28	321-4	3	Screw-HH
8	93-2279	2	Clamp-Cable	29	104-7201	3	Nut-HF
9	119-7222-01	1	RH Motor Mount ASM	30	2412-120	2	R-Clamp
10	119-7220-01	1	LH Motor Mount ASM	31	104-7050	1	Tube-Manual
11	119-7224-01	1	Mount-Motor, Center	32	104-7048	1	Cap-Housing
12	108-3742	8	Screw-HHF	33	32144-1	4	Screw-Taptite
13	98-8895	8	Spacer				



Frame Assembly (continued)

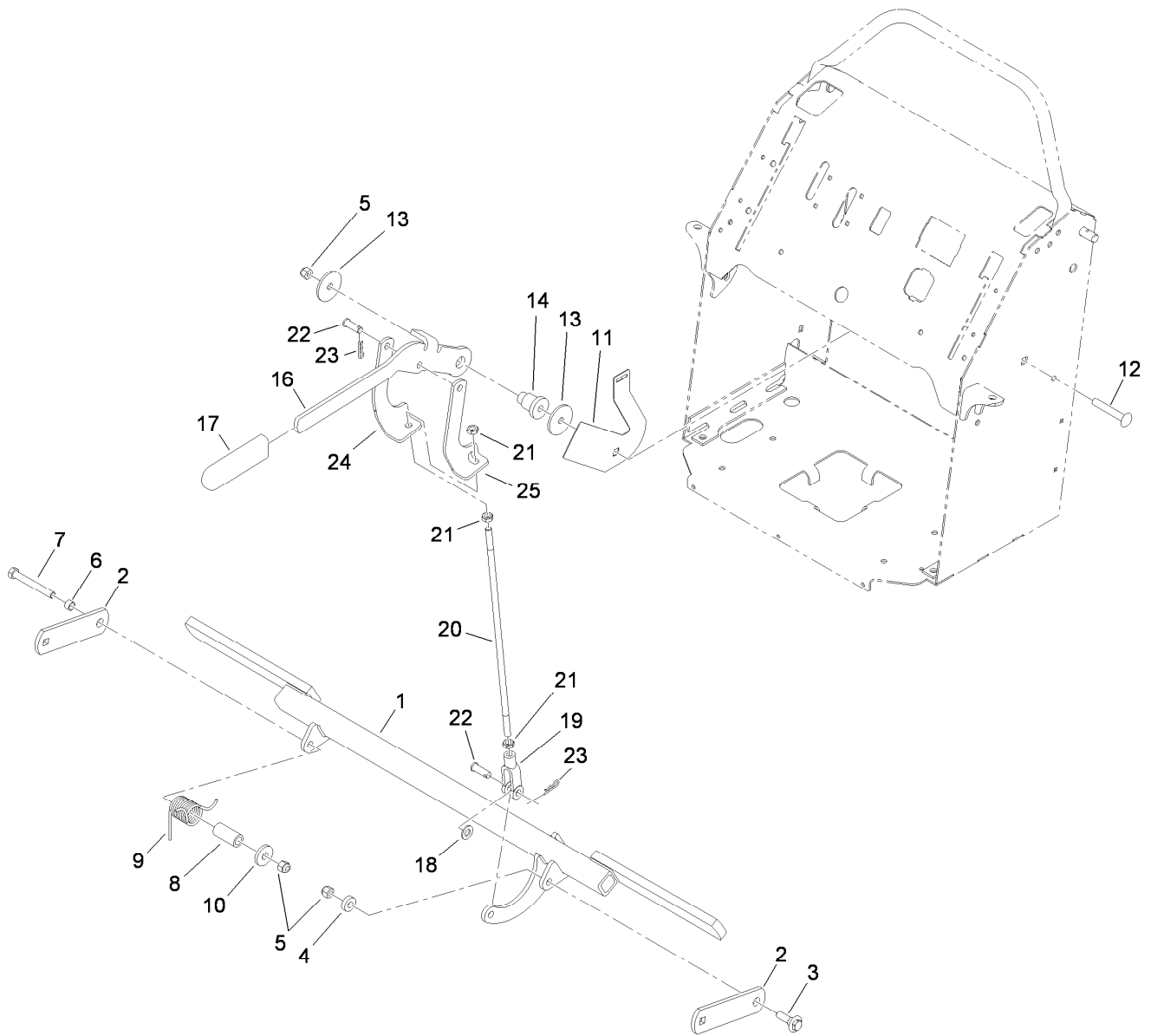
<i>Ref.</i>	<i>Part Number</i>	<i>Qty.</i>	<i>Description</i>	<i>Ref.</i>	<i>Part Number</i>	<i>Qty.</i>	<i>Description</i>
36	68-3640	1	Decal	44	119-2445	2	Shim-Cable
37	117-3591	2	Decal-Commercial	45	116-3456	1	Bracket-Hose, Fuel
42	117-9745-01	1	Plate-Manual				



Wheel and Bearing Assembly No. 112-3810

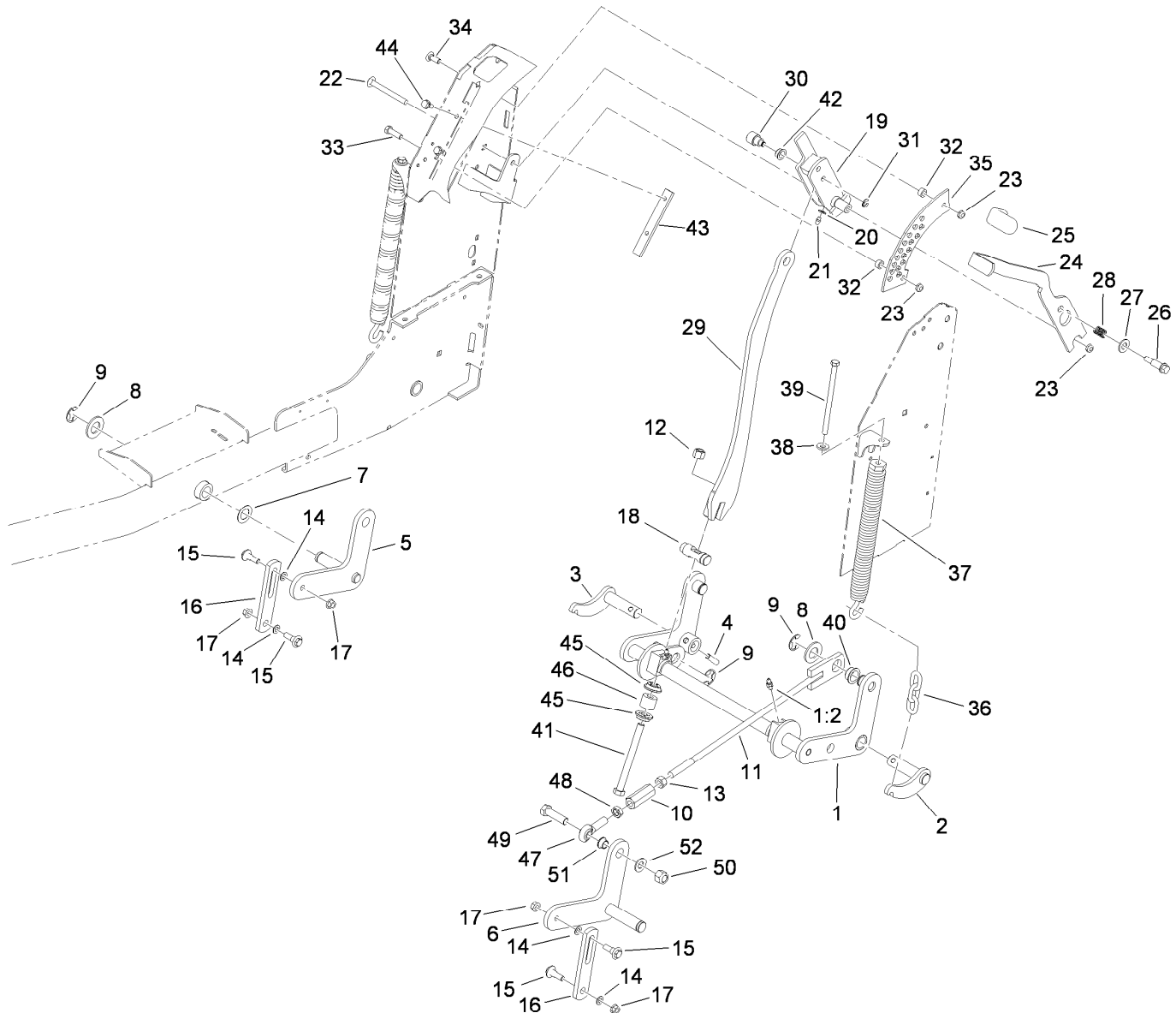
Ref.	Part Number	Qty.	Description
1		1	Wheel And Bearing ASM ●
1:1	1-633585	2	Bearing-Cone, Taper
1:2	103-0063	2	Seal-Caster
1:3	103-3051	2	Spacer-Nut
1:4	103-3157	1	Axle-Caster
1:5	110-9965	1	Wheel And Tire ASM
2	103-2768	2	Guard-Seal
3	3296-45	1	Nut-Lock, NI
4	325-20	1	Screw-HH

● Not serviced separately



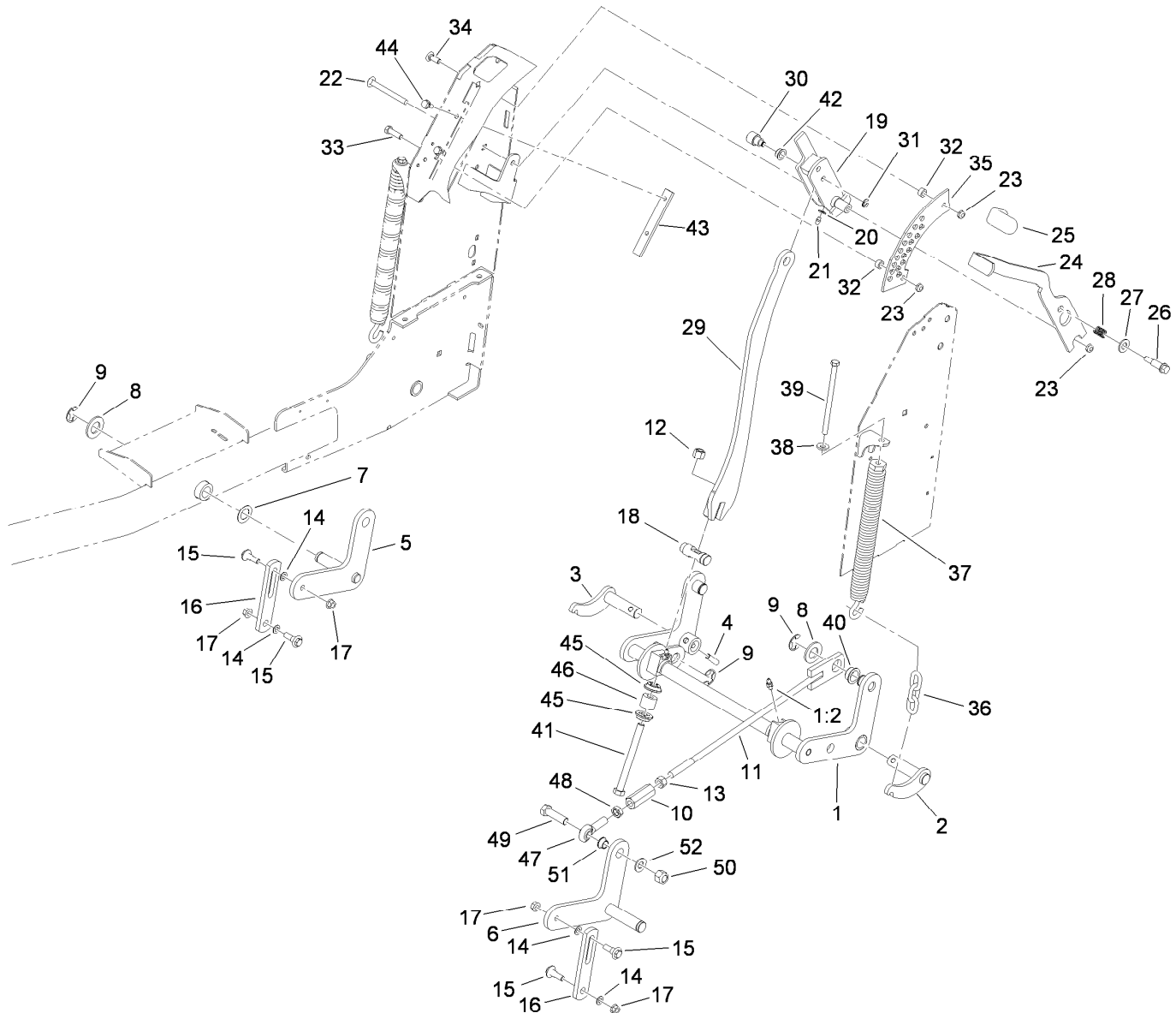
Park Brake Assembly

Ref.	Part Number	Qty.	Description	Ref.	Part Number	Qty.	Description
1	117-2660-03	1	Brake ASM	13	63-7400	2	Washer-Rebound
2	114-5186-01	2	Support-Brake	14	106-3214	1	Mount-Pulley
3	614672	1	Bolt-Shoulder	16	117-5759-03	1	Lever-Brake
4	5-0652	1	Spacer	17	1-633268	1	Grip-Lever
5	3296-39	3	Nut-Lock, NI	18	3256-24	1	Washer-Flat
6	117-9684	1	Spacer	19	1-633131	1	Yoke-Linkage, Brake
7	323-14	1	Screw-HH	20	119-7244	1	Rod-Brake
8	117-9683	1	Spacer	21	3220-3	3	Nut-HJ
9	117-9682	1	Spring-Torsion	22	283-2	2	Pin-Clevis
10	1-373034	1	Washer	23	3290-307	2	Pin-Hair
11	117-0452-03	1	Plate-Switch, Brake	24	119-7242-03	1	Arm-Brake, Bottom
12	3231-44	1	Screw-CARR	25	119-7243-03	1	Arm-Brake, Top



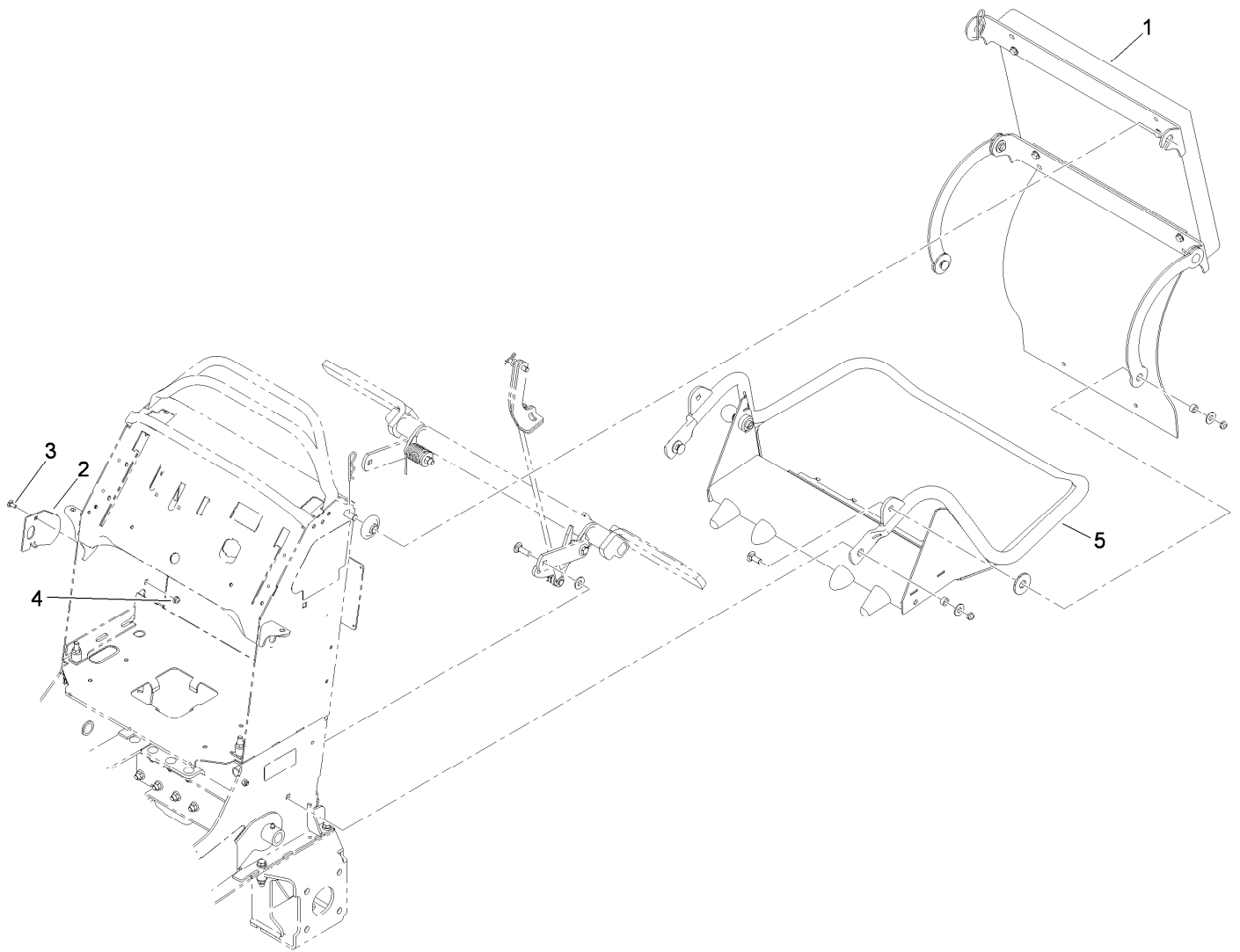
Decklift Assembly

Ref.	Part Number	Qty.	Description	Ref.	Part Number	Qty.	Description
1	116-3103	1	Rear Crossshaft ASM	21	302-5	1	Fitting-Grease
1:2	302-11	2	Fitting-Lube, 45 DEG	22	3231-24	1	Screw-CARR
2	116-3104-01	1	LH Pivot Shaft ASM	23	3296-59	3	Nut-Lock, NI
3	116-3105-01	1	RH Pivot Shaft ASM	24	114-1878-03	1	Lever-HOC
4	116-3107	2	Pin-Spiral	25	1-633268	1	Grip-Lever
5	119-7301-01	1	RH Lift ASM	26	66-0561	1	Screw-Shoulder
6	119-7302-01	1	LH Lift ASM	27	3256-26	1	Washer-Flat
7	110-6767	2	Washer-Thrust	28	65-9940	1	Spring
8	3256-29	4	Washer-Flat	29	116-2939	1	Bar-Lift
9	32151-103	5	Ring-Retaining, EXT	30	116-3048	1	Hub-Pivot
10	119-7250	2	Link-Lift	31	32151-47	1	Ring-Retaining
11	119-7306	2	Lift Rod ASM	32	111044	2	Spacer
12	3296-23	1	Nut-Lock, NI	33	323-7	1	Screw-HH
13	3217-9	2	Nut-HH	34	3231-22	1	Screw-CARR
14	40-1940	4	Washer	35	114-5307	1	Bracket-HOC
15	109-9840	4	Screw-Shoulder, HHF	36	103-9859	2	Chain-Decklift, Front
16	117-0519	2	Link-Lift	37	116-0886	2	Extension Spring ASM
17	32128-21	4	Nut-HF	38	98-5975	2	Washer-Belleville
18	114-5274	1	Pin-HOC	39	323-58	2	Bolt-TAP, HH
19	114-3512	1	HOC Handle ASM	40	116-2909	2	Bearing-Flange
20	3256-22	1	Washer-Flat	41	325-22	1	Screw-HH



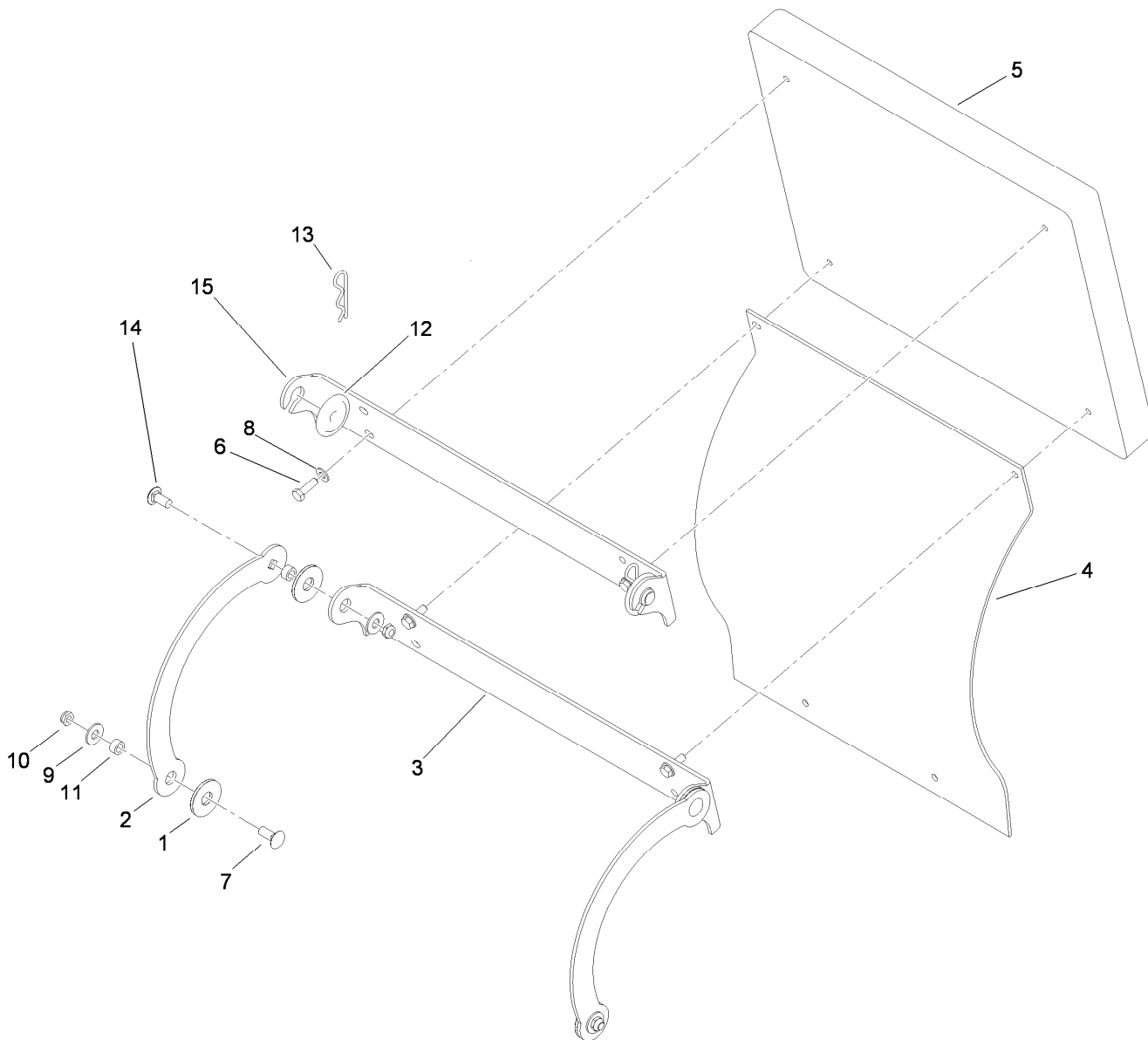
Decklift Assembly (continued)

<i>Ref.</i>	<i>Part Number</i>	<i>Qty.</i>	<i>Description</i>	<i>Ref.</i>	<i>Part Number</i>	<i>Qty.</i>	<i>Description</i>
42	116-3047	1	Bearing-Flange	48	117-5293	2	Nut-Jam
43	116-3124	1	Skid-Handle, Lift	49	327-22	2	Screw-HH
44	32144-11	2	Screw-HWHTF	50	3296-53	2	Nut-Lock, NI
45	119-7332	2	Seat-Spring	51	80-1290	2	Bushing
46	116-3241	1	Spring-Urethane	52	3256-27	2	Washer-Flat
47	117-5291	2	Balljoint-Spherical				



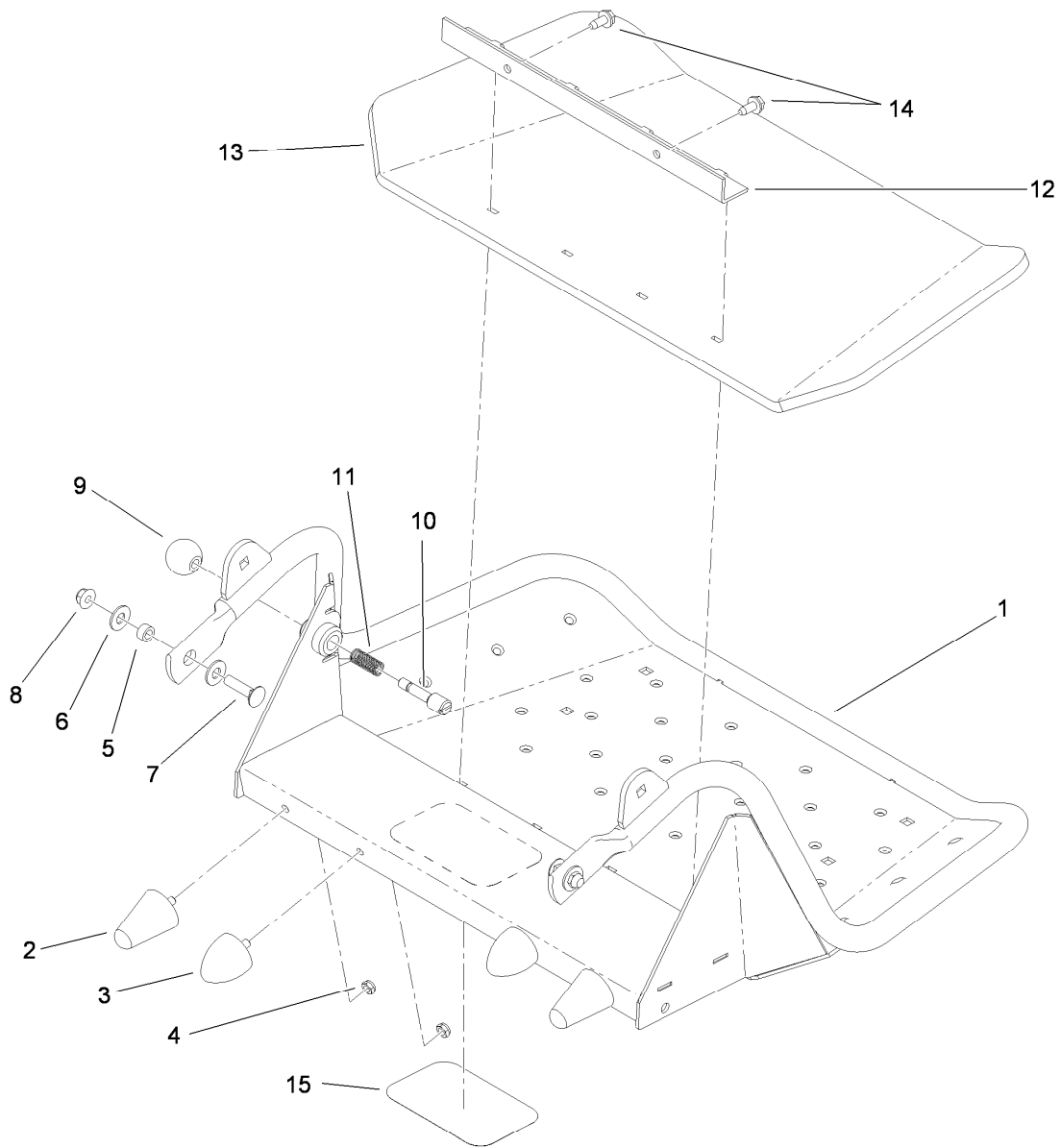
Platform Assembly

<i>Ref.</i>	<i>Part Number</i>	<i>Qty.</i>	<i>Description</i>
1	117-9770	1	Cushion ASM
2	119-7312	1	Plate-Striker
3	3229-11	1	Screw-CARR
4	104-7201	1	Nut-HF
5	117-9640	1	Platform ASM



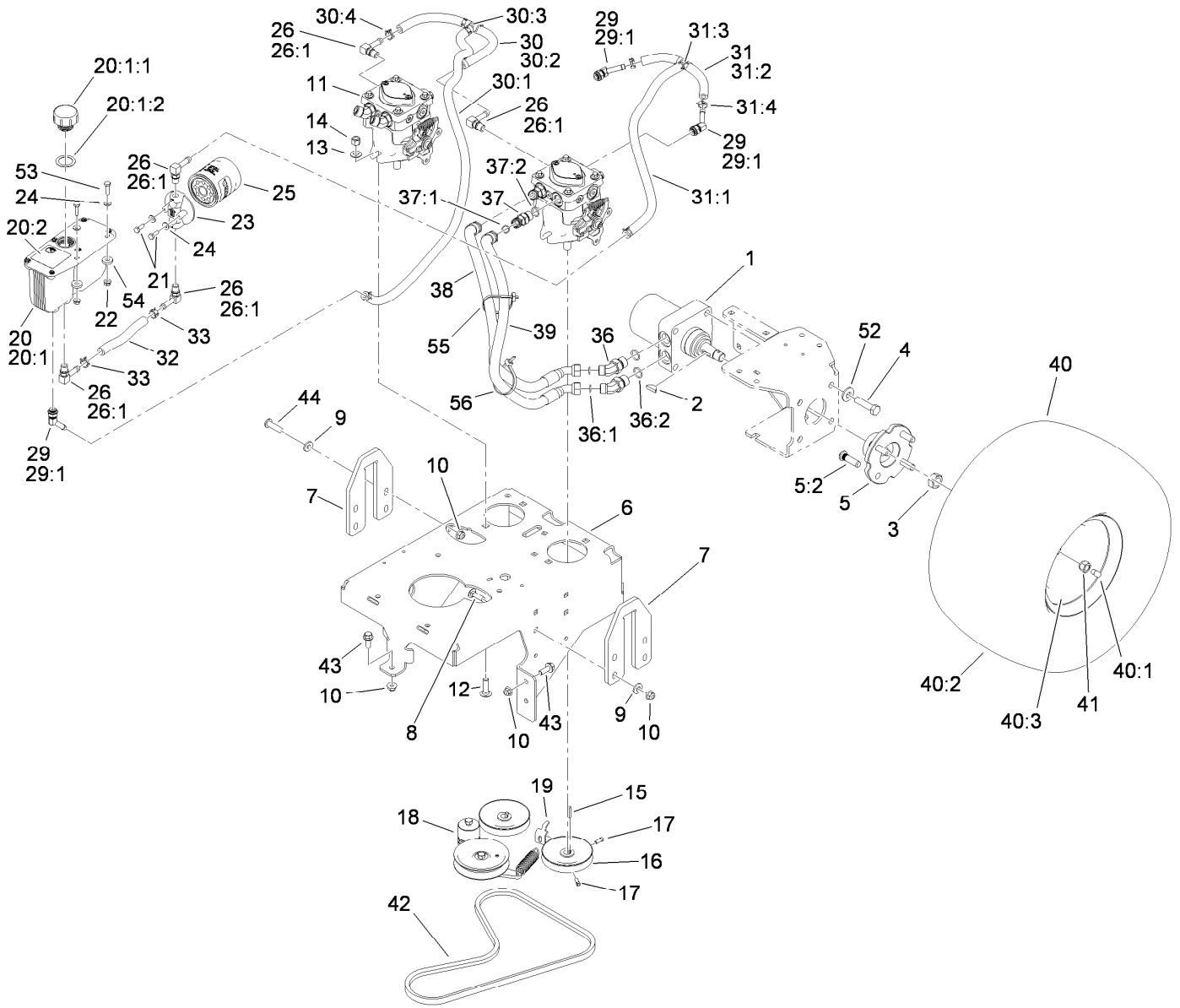
Cushion Assembly No. 117-9770

Ref.	Part Number	Qty.	Description
1	114-0463	4	Washer-Friction, Composite
2	114-1915-01	2	Link-Pad
3	116-2061-03	1	Hinge-Pad
4	114-1919	1	Shield-Rear
5	117-9739	1	Pad-Cushion
6	322-5	4	Screw-HH
7	3231-2	2	Screw-CARR
8	3256-23	4	Washer-Flat
9	3256-4	8	Washer-Flat
10	3296-59	4	Nut-Lock, NI
11	111044	4	Spacer
12	116-2886	2	Slide-Bushing
13	3290-355	2	Pin-Hair
14	3231-27	2	Screw-CARR
15	116-2757-03	1	Hinge-Pad



Platform Assembly No. 117-9640

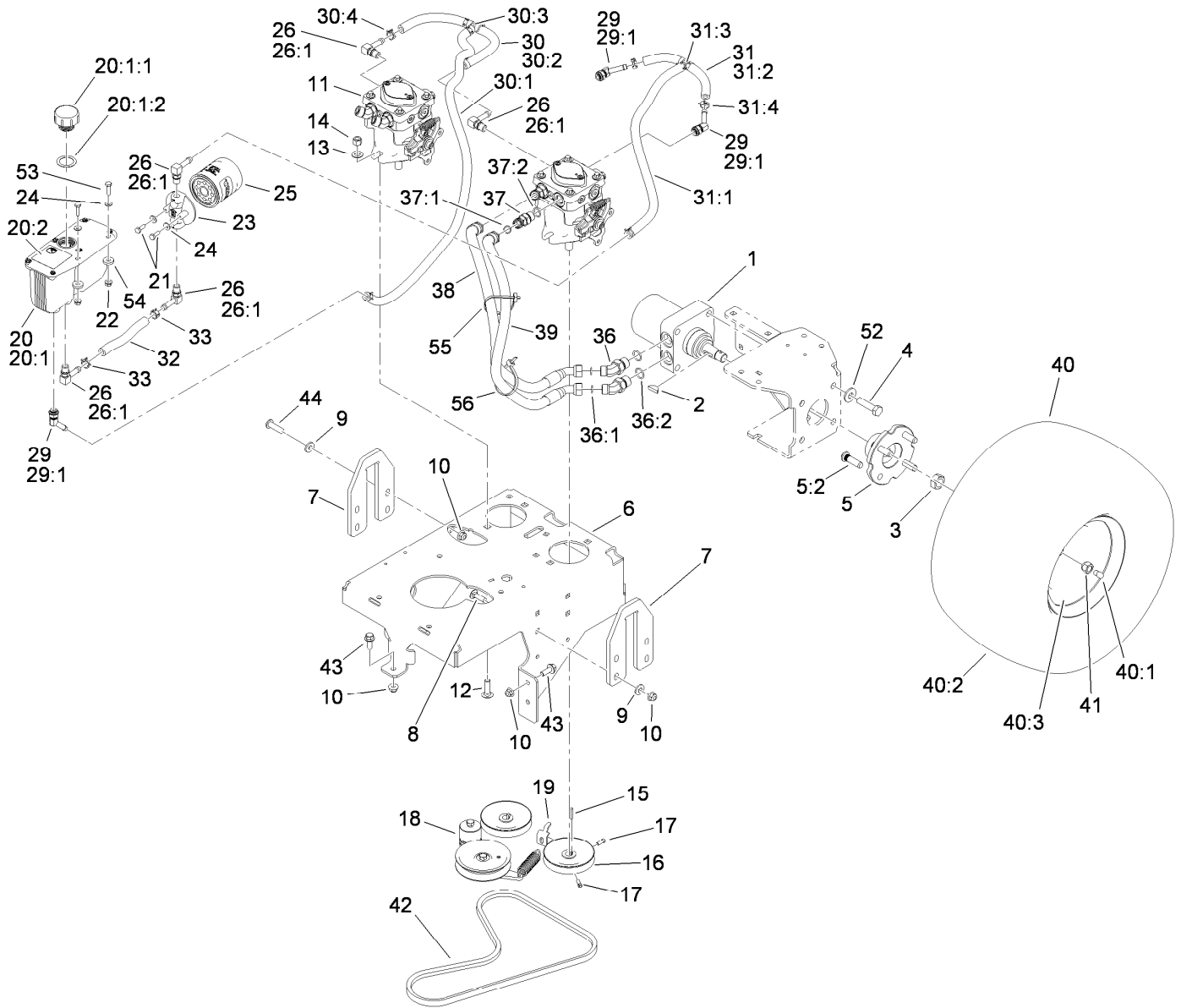
<i>Ref.</i>	<i>Part Number</i>	<i>Qty.</i>	<i>Description</i>
1	117-9641-01	1	Platform ASM
2	114-1925	2	Bumper-Rubber
3	114-1926	2	Bumper-Rubber
4	3296-47	4	Nut-Lock, NI
5	111044	2	Spacer
6	3256-4	4	Washer-Flat
7	3231-4	2	Screw-CARR
8	104-8301	2	Nut-Flange, NI
9	1-603175	1	Knob-Ball
10	119-8650	1	Pin-Latch
11	114-5348	1	Spring
12	114-1920-03	1	Clamp-Shield
13	114-5349	1	Mat-Foot
14	32144-70	2	Screw-HWHTF
15	68-3640	1	Decal



Ground Drive Assembly

Ref.	Part Number	Qty.	Description	Ref.	Part Number	Qty.	Description
1	114-0549	2	HYD Motor ASM	18		1	Pump Idler ASM ●
2	3257-8	2	Key-Woodruff	19	117-0447-01	1	Bracket-Anchor, Spring
3	85-7310	2	Nut-Motor, Wheel	20	107-8433	1	HYD Reservoir ASM
4	325-8	8	Screw-HH	20:1		1	Reservoir-HYD ●
5	105-0800	2	Wheel Hub ASM	20:1:1	103-1948	1	Cap-Reservoir, HYD
5:2	10-6830	4	Stud-Type, Drive	20:1:2	103-1949	1	Gasket-Cap
6	116-2660-01	1	Base-Engine	20:2	115-4212	1	Decal-Warning
7	119-8662	2	Plate-Lift	21	321-4	2	Screw-HH
8	3231-25	7	Screw-CARR	22	32128-32	2	Nut-HHF
9	98-5975	8	Washer-Belleville	23	104-7836	1	Head-Filter
10	104-8301	13	Nut-Flange, NI	24	3256-22	4	Washer-Flat
11	117-3597	2	HYD Pump ASM	25	114-3494	1	Element-Filter, 25 Micron
12	3232-3	4	Screw-CARR	26	100-4887	5	Fitting-Barbed, 90 DEG
13	3256-25	4	Washer-Flat	26:1	237-42	1	O-Ring
14	3296-48	4	Nut-Lock, NI	29	103-1807	3	Fitting-Barbed, 45 DEG
15	1-807272	2	Key	29:1	237-42	1	O-Ring
16	105-5648	2	Pulley-Pump	30	117-3570	1	Tank Hose ASM
17	3241-5	4	Screw-Set	30:1	117-0461	1	Hose-Hydraulic

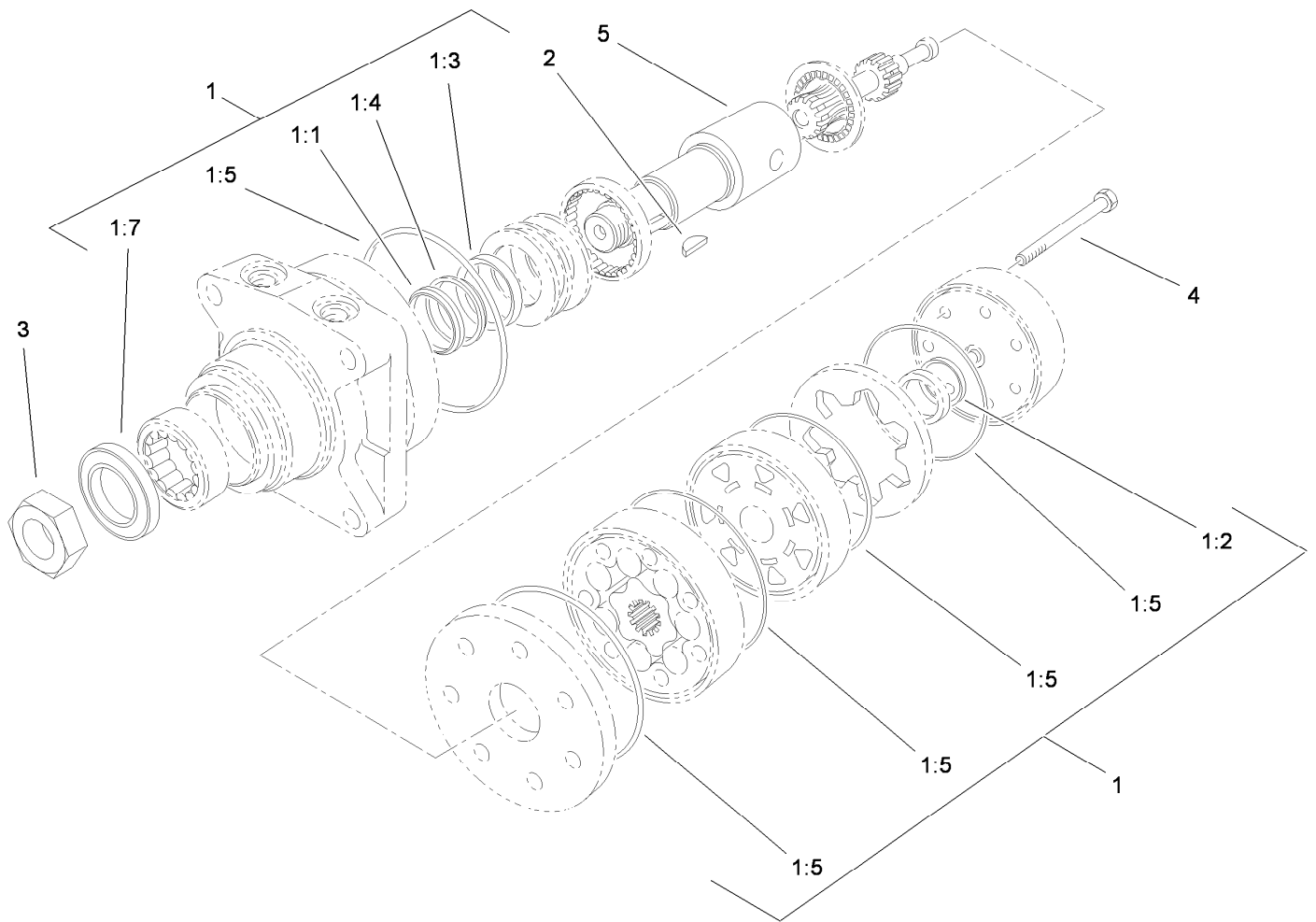
● Not serviced separately



Ground Drive Assembly (continued)

Ref.	Part Number	Qty.	Description	Ref.	Part Number	Qty.	Description
30:2	117-0459	2	Hose-Hydraulic	38	117-0442	2	HYD Hose ASM
30:3	1-603721	2	Fitting-Tee, Hose	39	117-0449	2	HYD Hose ASM
30:4	103-1988	6	Clamp-Hose	40	117-0429	2	Wheel ASM
31	117-3569	1	Filter Hose ASM	40:1	232-27	1	Stem-Valve
31:1	117-0460	1	Hose-Hydraulic	40:2	117-0428	1	Tire
31:2	117-0458	2	Hose-Hydraulic	40:3	106-8133	1	Rim-8 Inch
31:3	1-603721	2	Fitting-Tee, Hose	41	242-50	8	Nut-Lug
31:4	103-1988	6	Clamp-Hose	42	114567	1	Belt-V, Lower PTO
32	117-0459	1	Hose-Hydraulic	43	3234-42	5	Screw-HHF
33	103-1988	2	Clamp-Hose	44	3274-63	1	Screw-HSBH
36	340-89	4	Fitting-HYD, 45 DEG	52	1-513435	8	Washer-Spring
36:1	237-30	1	O-Ring	53	321-6	2	Screw-HH
36:2	237-80	1	O-Ring	54	104-7658	4	Spacer
37	340-101	4	Fitting-HYD, 45 DEG	55	1-643115	2	Tie-Plastic
37:1	237-30	1	O-Ring	56	103-2446	2	Tie-Plastic
37:2	237-79	1	O-Ring				

● Not serviced separately

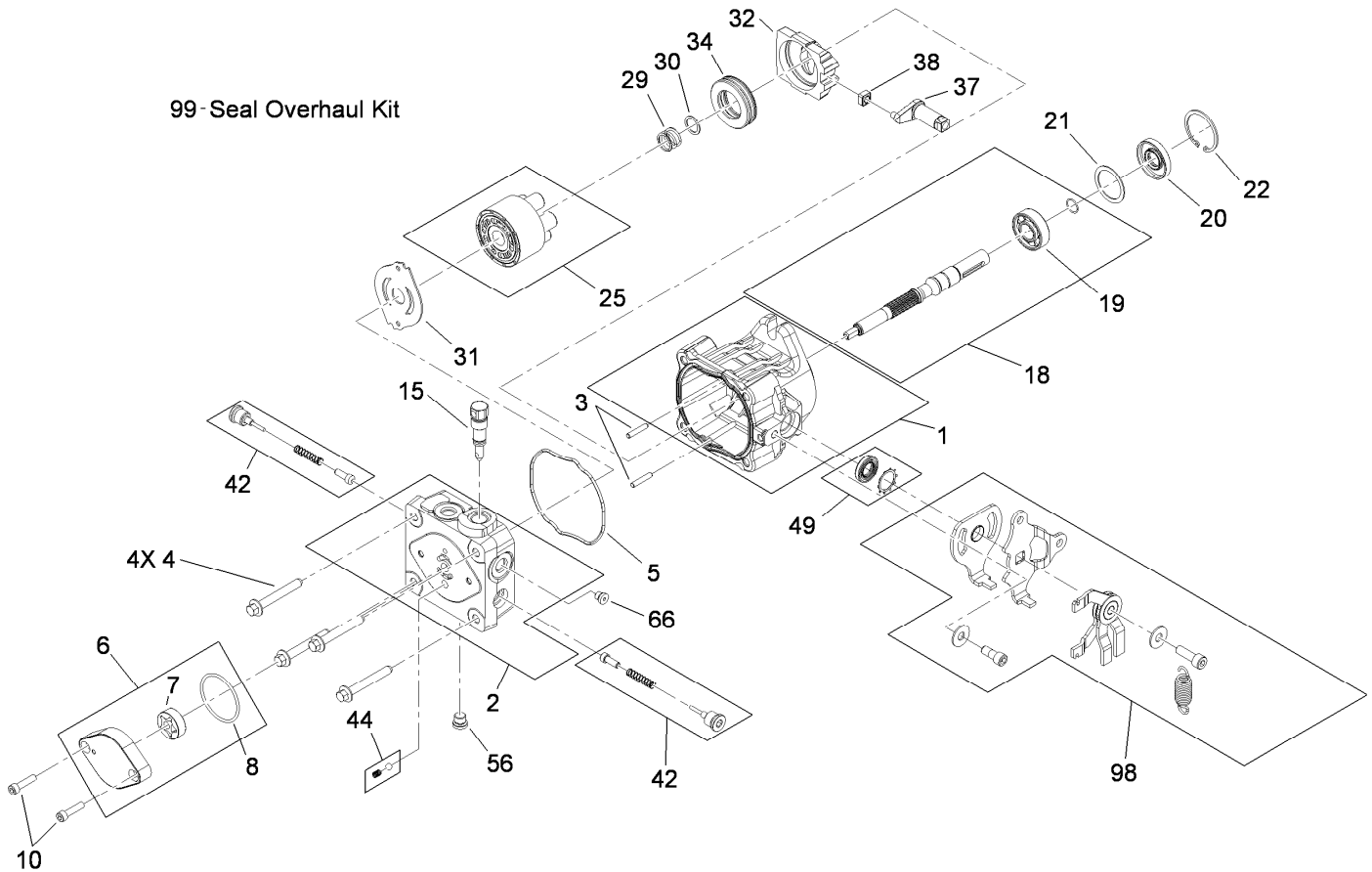


Hydraulic Motor Assembly No. 114-0549

Ref.	Part Number	Qty.	Description
1	1-000119	1	Seal Kit
1:1		1	Ring-Back Up ●
1:2		1	Seal-Commutator ●
1:3		1	Seal-Shaft (Viton) ●
1:4		1	Washer-Back Up, Steel ●
1:5		5	Ring-Seal (Viton) ●
1:7		1	Seal-Dirt And Water ●
2	3257-8	1	Key-Woodruff
3	85-7310	1	Nut-Motor, Wheel
4	106-5549	6	Bolt-Special
5	106-8764	1	Shaft-Coupling

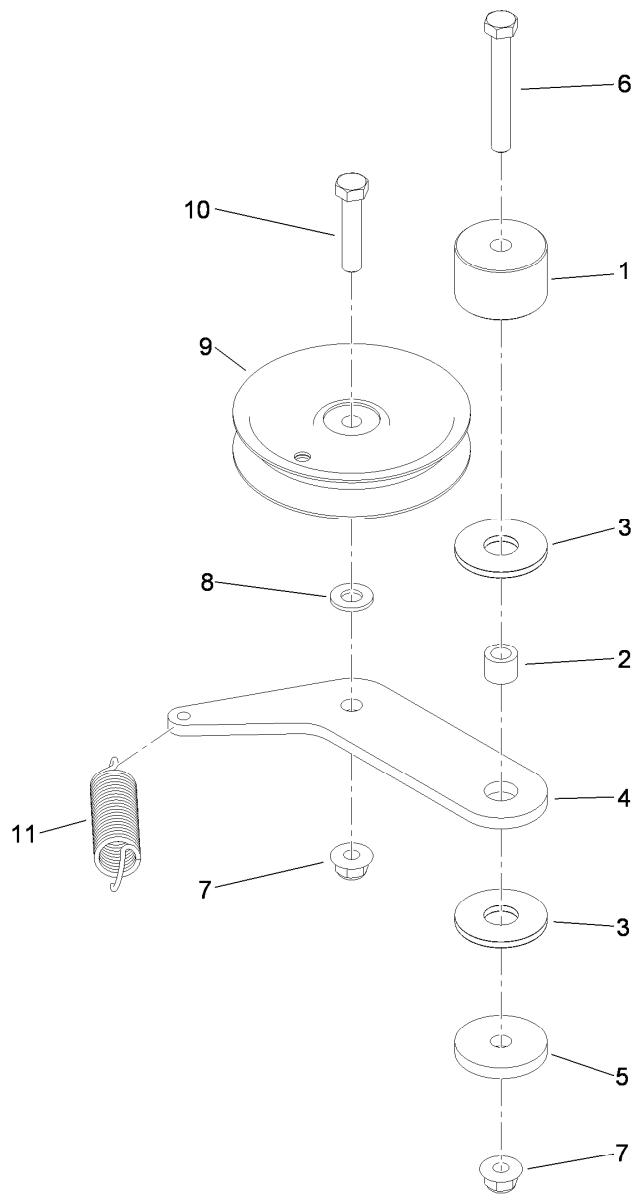
● Not serviced separately

99- Seal Overhaul Kit



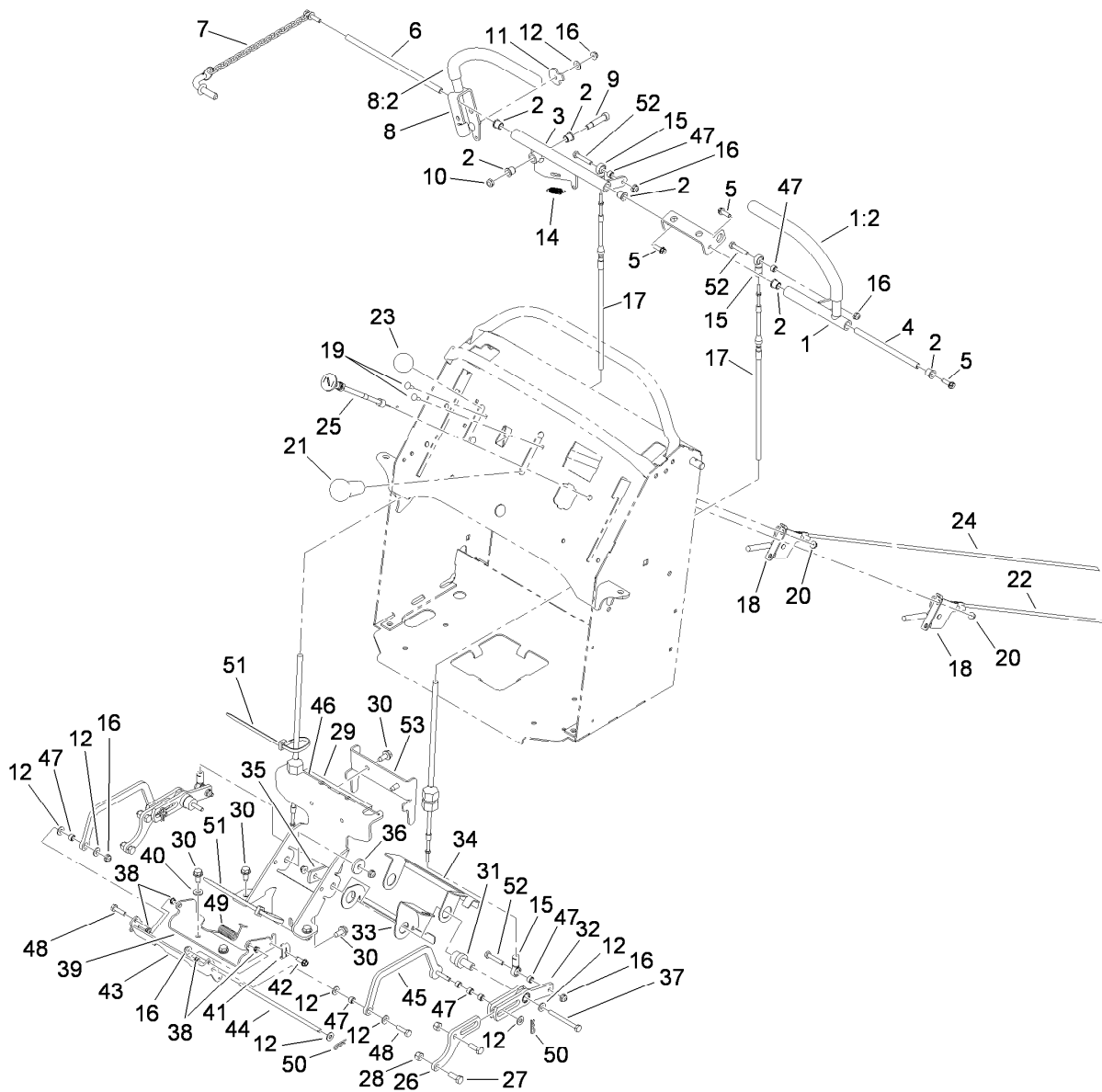
Hydraulic Pump Assembly No. 117-3597

Ref.	Part Number	Qty.	Description	Ref.	Part Number	Qty.	Description
1	115-4464	1	Housing Kit	29	94-1936	1	Spring-Block
2	106-8752	1	End Cap Kit (W/Poppets)	30	94-1937	1	Washer-Thrust, Block
3	106-8753	2	Pin-Headless, Straight	31	105-6185	1	Plate-Valve
4	106-8754	4	Bolt-HF	32	94-1907	1	Swashplate-Variable
5	106-8755	1	O-Ring	34	94-6922	1	Bearing-Thrust
6	106-8756	1	Charge Pump Kit	37	115-4458	1	Arm-Trunnion, Tapered Square
7	104-2122	1	Gerotor ASM	38	94-1910	1	Guide-Slot
8	106-8757	1	O-Ring	42	98-3252	2	Valve-Check (W/Poppet)
10	104-2111	2	Capscrew	44	106-8760	1	Charge Relief Valve Kit
15	106-8759	1	Bypass Valve Kit	49	114-8155	1	Trunnion Seal Kit
18	103-2664	1	Input Shaft Kit	56	106-8762	1	Plug-HSH
19	104-5311	1	Bearing-Ball	66	106-8763	1	Plug-HSH
20	104-5310	1	Seal-Lip	98	117-3629	1	Kit-Return
21	104-5308	1	Spacer	99	105-6184	1	Seal Overhaul Kit
22	104-5309	1	Ring-Retaining				
25	103-2666	1	Cylinder Block Kit				



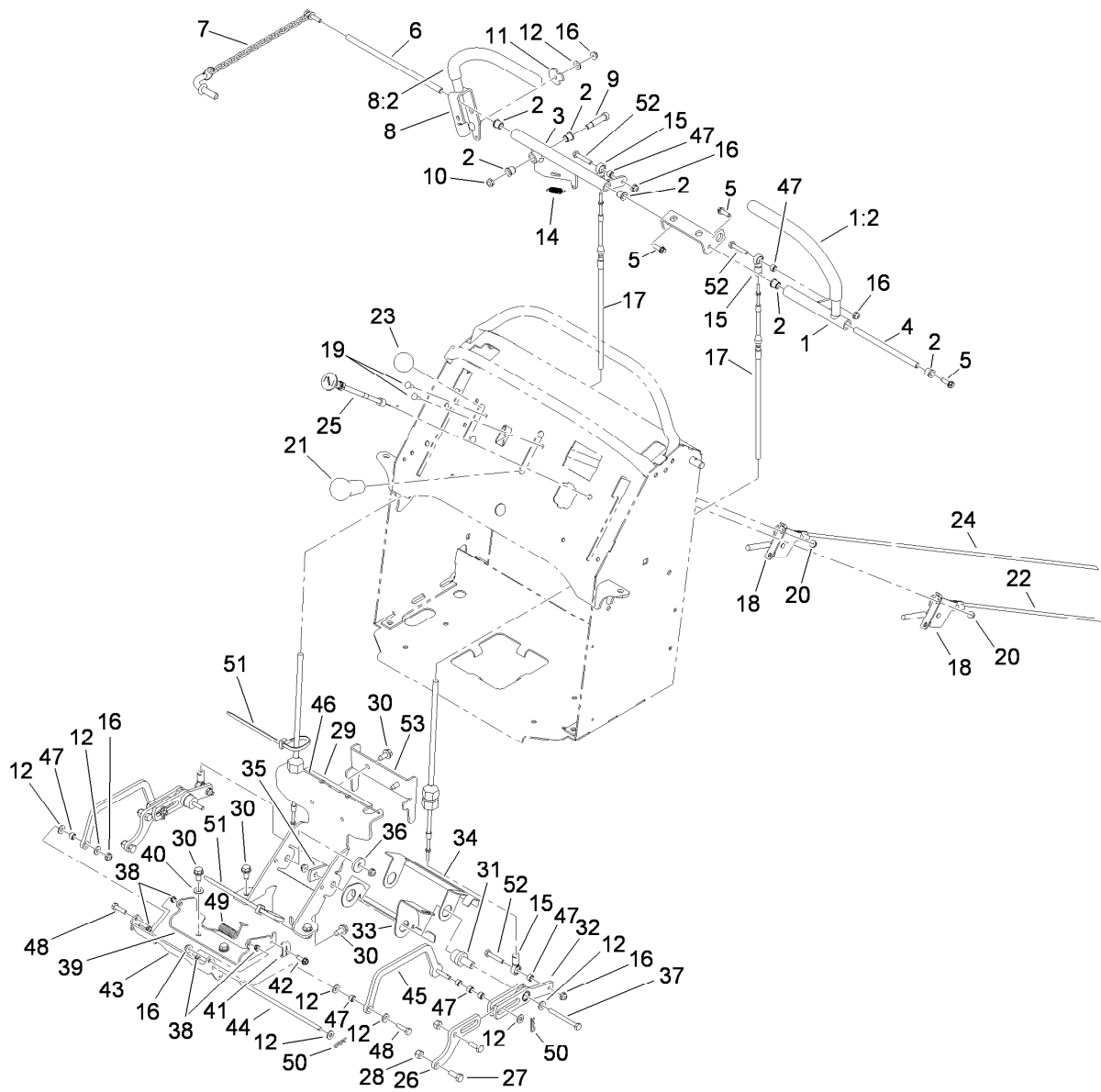
Pump Idler Assembly

<i>Ref.</i>	<i>Part Number</i>	<i>Qty.</i>	<i>Description</i>
1	117-3568	1	Hub-Idler
2	1-413088	1	Bushing-Lever, Lift
3	114-0463	2	Washer-Friction, Composite
4	117-9707	1	Plate-Idler
5	110-9981	1	Washer-Plain
6	323-13	1	Screw-HH
7	104-8301	2	Nut-Flange, NI
8	3256-24	1	Washer-Flat
9	93-1622	1	Pulley-Idler
10	323-9	1	Screw-HH
11	108-4056	1	Spring-Extension



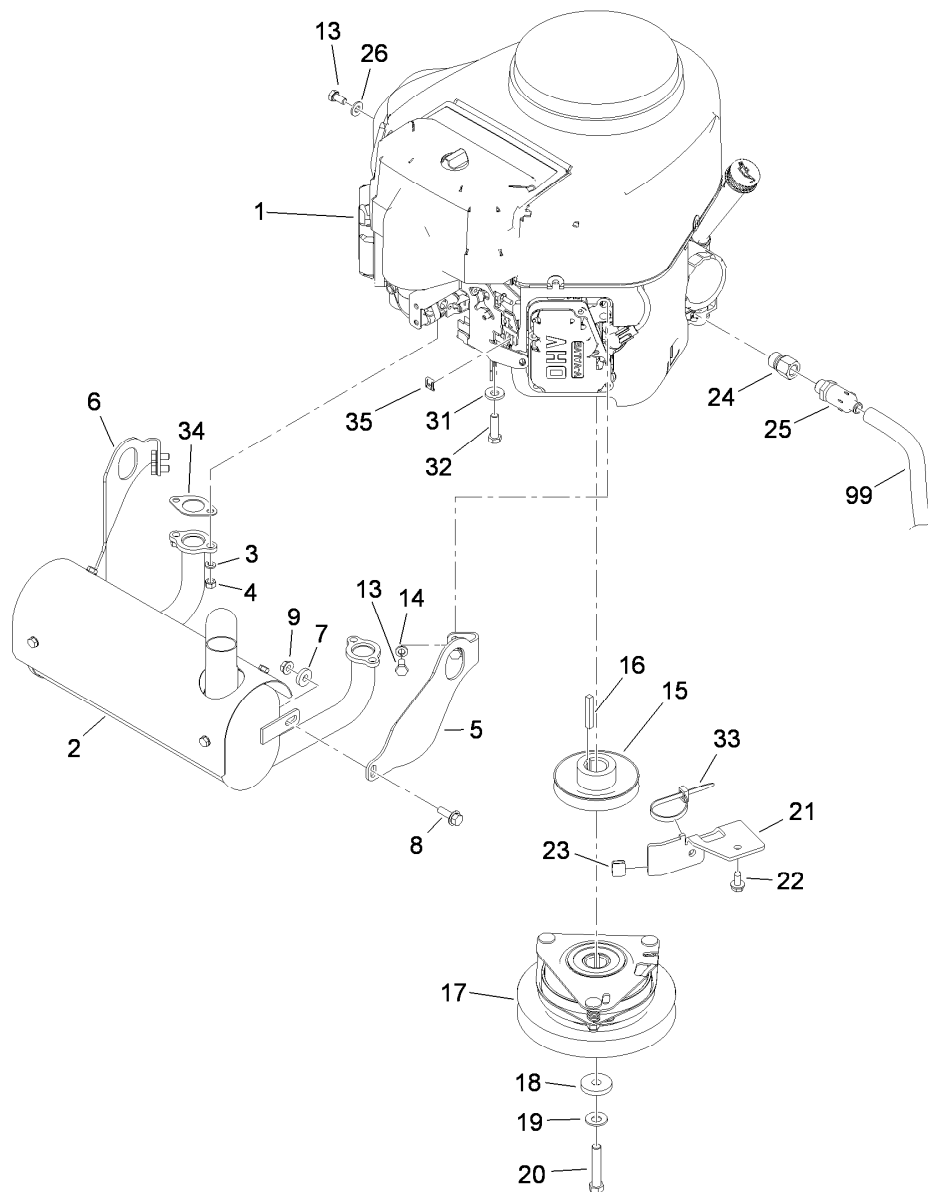
Control Assembly

Ref.	Part Number	Qty.	Description	Ref.	Part Number	Qty.	Description
1	119-7235	1	LH Lever ASM	21	99-7981	1	Knob-Grip, Soft
1:2	119-0222	1	Grip	22	117-9706	1	Cable-Speed
2	103-9928	6	Bearing	23	1-603175	1	Knob-Ball
3	119-7236	1	Motion Control ASM	24	114-1966	1	Cable-Control
4	114-0260	1	Shaft-Pivot	25	106-9962	1	Control-Choke, Push / Pull
5	80-0700	3	Screw-HH, Torx	26	114-3547	2	Arm-Control
6	114-1904	1	Shaft-Pivot, Motion Control	27	322-4	4	Screw-HH
7	114-0409	1	HOC Pin ASM	28	3296-29	4	Nut-Lock, NI
8	119-1887	1	RH Motion Lever ASM	29	119-2380-01	1	Mount-Linkage, Drive
8:2	119-0222	1	Grip	30	32144-70	7	Screw-HWHTF
9	114-0239	1	Screw-HSH	31	119-2381	2	Hub-Shoulder
10	3296-47	1	Nut-Lock, NI	32	119-2409	2	Control Fork ASM
11	114-0268	1	Cam-Lever	33	114-1993	1	Lever-Switch
12	3256-22	11	Washer-Flat	34	119-2414	1	Lever-Switch
14	114-0249	1	Spring-Extension	35	114-5155-03	1	Arm-Switch, Stop
15	117-6222	4	Rod End-Ball Joint	36	65-8270	1	Washer
16	104-7201	9	Nut-HF	37	321-14	2	Screw-HH
17	117-0474	2	Cable-Control, Traction	38	119-2404	4	Bushing-Flange, Split
18	110-5547	2	Control Lever ASM	39	117-2681	1	Bracket-Shifter
19	1-807533	4	Bolt-CARR	40	3256-23	2	Washer-Flat
20	3290-148	4	Nut-HF	41	106-7297	1	Clamp-Cable



Control Assembly (continued)

<i>Ref.</i>	<i>Part Number</i>	<i>Qty.</i>	<i>Description</i>	<i>Ref.</i>	<i>Part Number</i>	<i>Qty.</i>	<i>Description</i>
42	49-2040	1	Screw-HWHTF	48	321-6	2	Screw-HH
43	117-2680	1	Arm-Dual, Shifter	49	106-2584	1	Spring-Torsion
44	114-1978	1	Pin-Hinge	50	3290-307	6	Pin-Hair
45	119-2402	2	Speed Control Linkage ASM	51	3290-378	2	Cable Tie
46	114-0433	1	Clip-Spring	52	321-13	4	Screw-HH
47	119-2408	12	Bushing-Roller	53	119-8764-01	1	Bracket-Protect, Cable

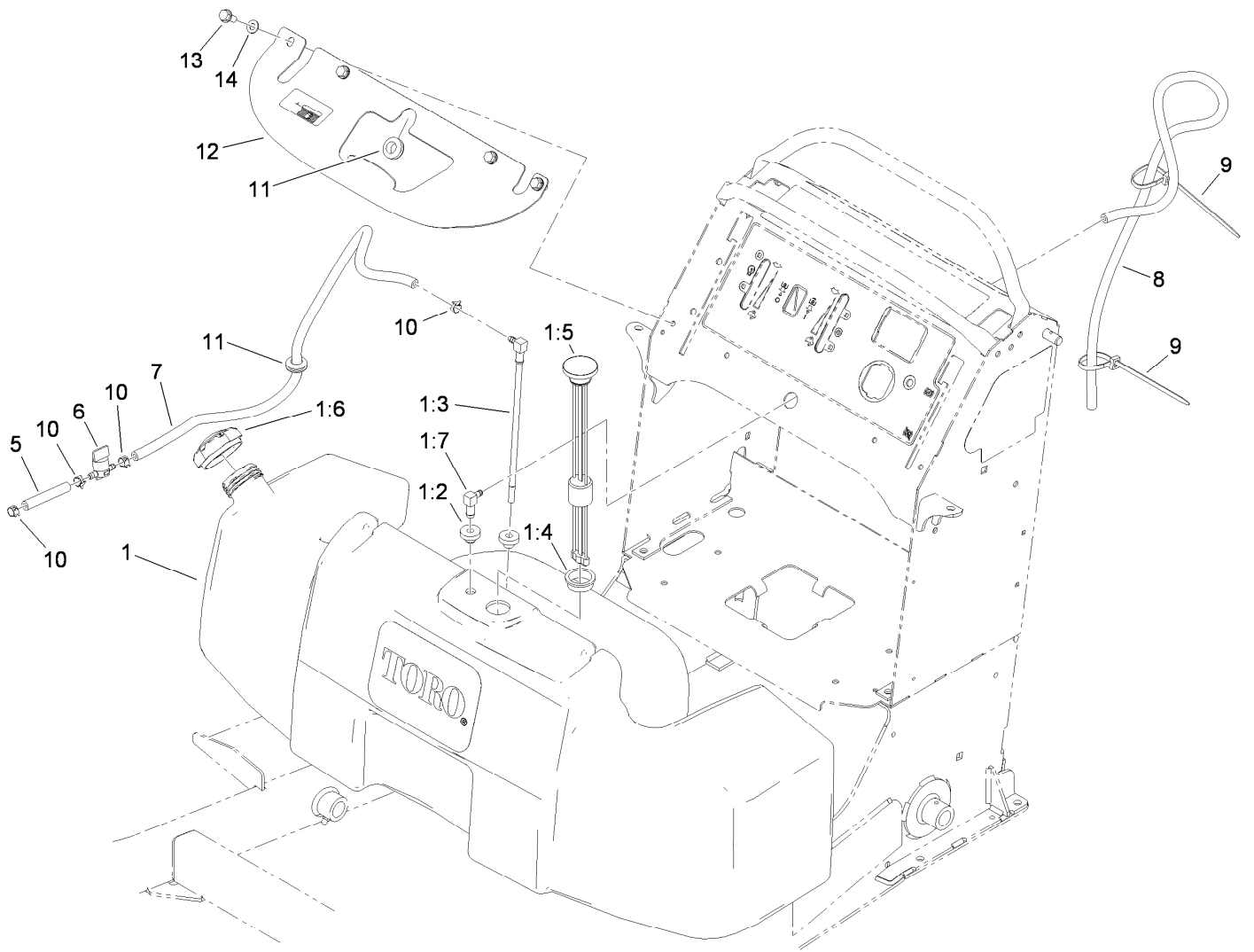


Engine Assembly

Ref.	Part Number	Qty.	Description	Ref.	Part Number	Qty.	Description
1		1	Engine-Kawasaki, Fs730V-As05 ●■	18	107-4136	1	Washer
2	116-2352	1	Muffler	19	1-603610	1	Washer-Spring
3	114-3550	4	Washer-Lock, Spring	20	3212-9	1	Screw-HH
4	114-3549	4	Nut	21	117-9708-01	1	Bracket-Stop, PTO
5	116-2353	1	Bracket-Muffler Mount, LH	22	32144-70	1	Screw-HWHTF
6	116-2354	1	Bracket-Muffler Mount, RH	23	109-3765	1	Bumper
7	104-7658	2	Spacer	24	103-1966	1	Adapter
8	3234-29	2	Screw-HHF	25	92-6877	1	Valve-Drain, Oil
9	32128-25	2	Nut-HF	26	33094-00	1	Washer-Plain
13	33114-016	5	Screw-HH	31	98-5975	4	Washer-Belleville
14	3253-4	4	Washer-Lock	32	323-7	4	Screw-HH
15	112-7067	1	Pulley	33	3290-378	1	Cable Tie
16	608006	1	Key-Square	34	1-653313	2	Gasket-Exhaust
17	105-2635	1	Clutch / Brake ASM	35	81-1690	1	Clamp-Cable
				99	103-1964	1	Hose-Drain, Oil

● Not serviced separately

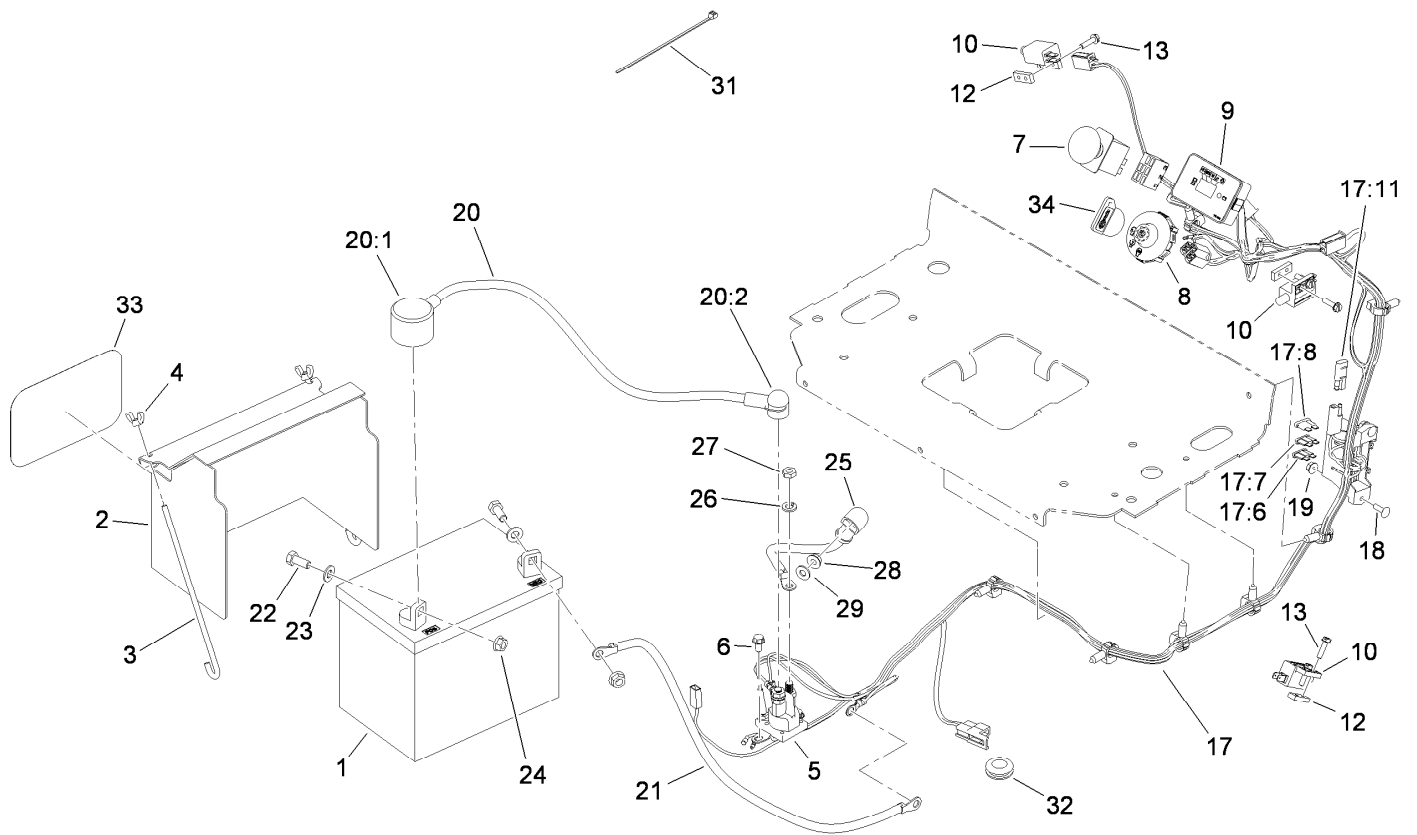
■ Obtain parts from www.kawpowerpc.com



Fuel Tank Assembly

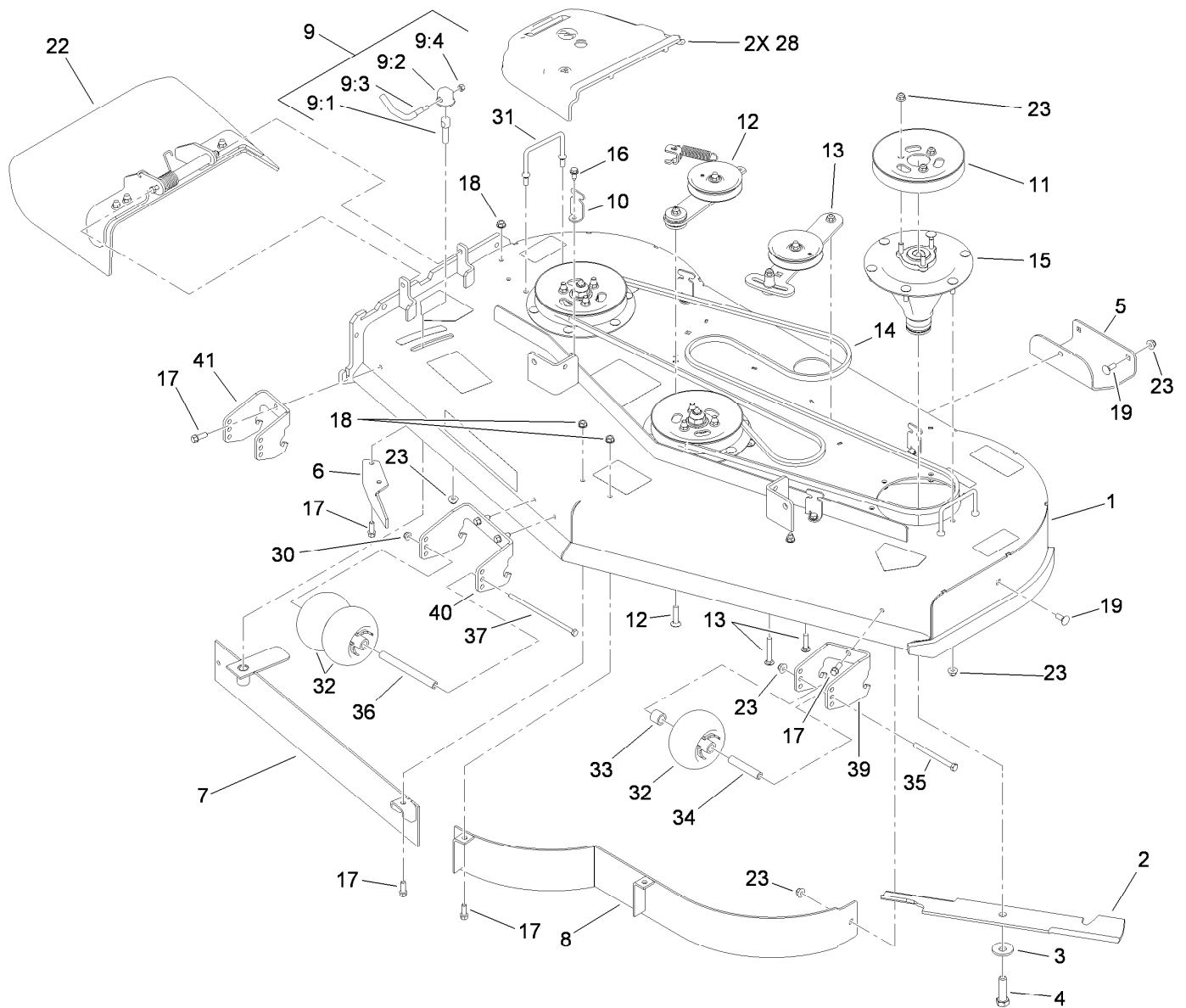
Ref.	Part Number	Qty.	Description
1	119-7290	1	Tank ASM
1:2	46-6560	2	Bushing
1:3	117-9655	1	Fitting-Fuel, Screen Tube
1:4	95-8972	1	Grommet
1:5	117-9719	1	Guage-Fuel
1:6	109-9619	1	Cap-Fuel
1:7	1-643172	1	Elbow-90 DEG
5	114-3765	1	Hose-Fuel
6	1-603770	1	Valve-Fuel

Ref.	Part Number	Qty.	Description
7	109-3491	1	Hose-Fuel
8	110-3372	1	Hose-Fuel
9	3290-378	2	Cable Tie
10	2412-98	4	Clamp
11	112-7069	2	Grommet
12	116-3125	1	Bracket-Tank
13	32144-11	4	Screw-HWHTF
14	3256-70	4	Washer-Flat



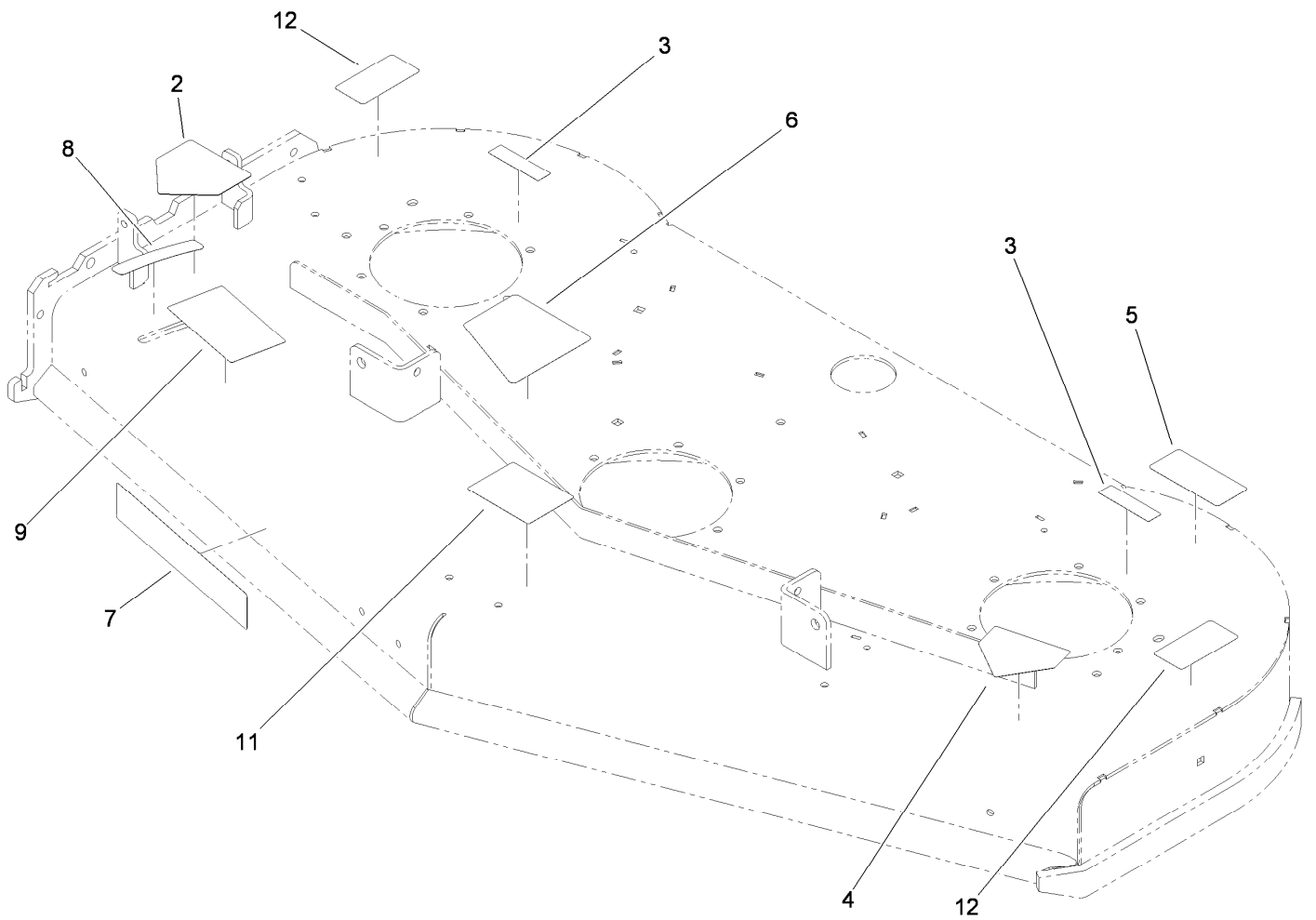
Electrical Assembly

Ref.	Part Number	Qty.	Description	Ref.	Part Number	Qty.	Description
1	104-2491	1	Battery	19	3290-148	2	Nut-HF
2	117-0543-01	1	Cover-Battery	20	109-7653	1	Positive Battery Cable ASM
3	1-633651	2	Bolt-Holddown	20:1	109-2407	1	Insulator-Battery
4	1-543792	2	Wingnut	20:2	1-543393	1	Insulator-Solenoid
5	117-1197	1	Solenoid	21	105-0836	1	Cable-Battery, Black
6	32144-4	2	Screw-HWH	22	322-3	2	Screw-HH
7	114-0279	1	Switch-PTO	23	3256-23	2	Washer-Flat
8	110-6764	1	Switch-Ignition	24	109-5715	2	Nut-HHF, Smooth
9	115-4180	1	Module-Meter, Hour	25	106-8268	1	Cable-Battery, Red
10	1-513152	3	Switch-Closed, Normally	26	3253-4	2	Washer-Lock
12	1-633181	3	Plate-Tapped	27	3220-2	2	Nut-Jam
13	32105-13	6	Screw-HWH	28	32128-33	1	Nut-HF
17	116-2662	1	Harness-Wiring	29	3256-22	1	Washer-Flat
17:6	109103	1	Fuse-Blade, 30 Amp	31	1-303287	2	Tie-Cable
17:7	109102	1	Fuse-Blade, 25 Amp	32	112-7069	1	Grommet
17:8	218-578	1	Fuse-Blade, 10 Amp	33	68-3640	1	Decal
17:11	116-0053	1	Cap-Plug	34	63-8360	1	Key-Ignition
18	1-807533	2	Bolt-CARR				



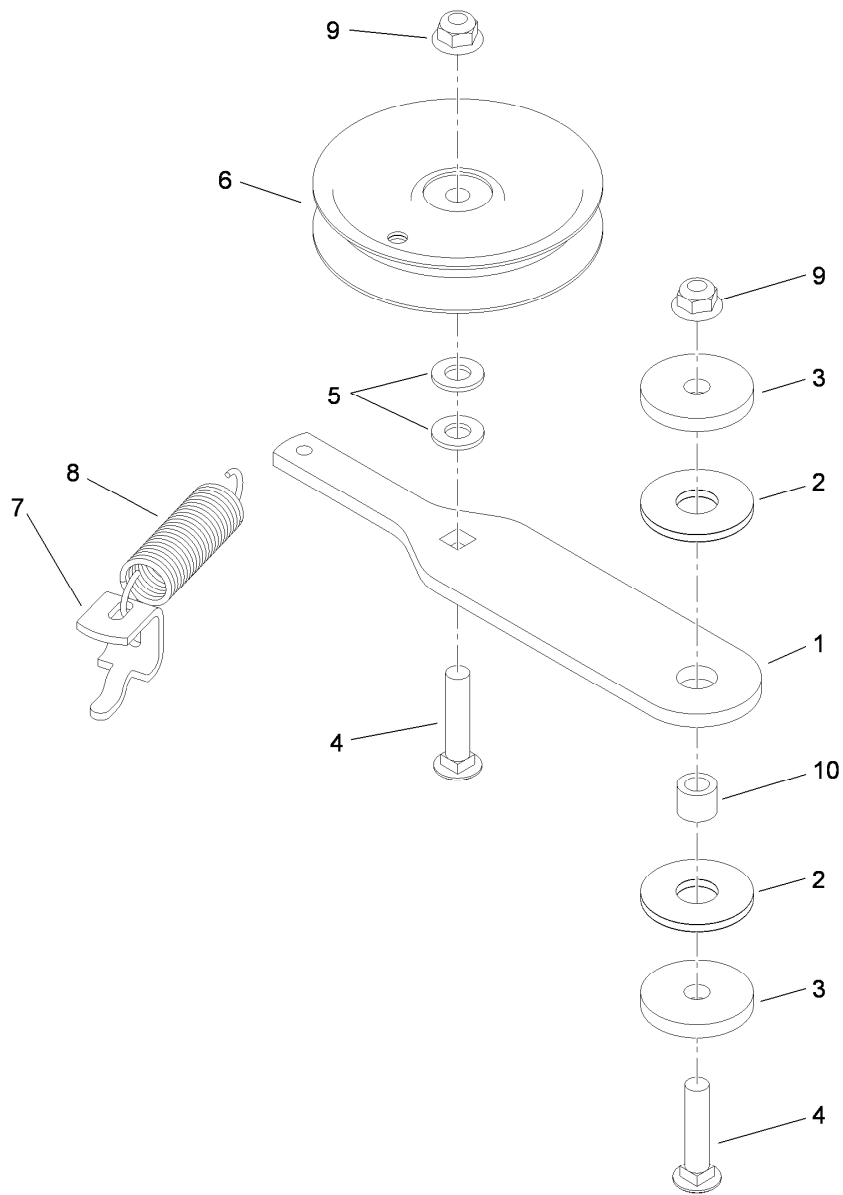
Deck Assembly

Ref.	Part Number	Qty.	Description	Ref.	Part Number	Qty.	Description
1	117-0501	1	Deck ASM	16	32144-70	4	Screw-HWHTF
2	105-7718-03	3	Blade-Hi Flow	17	92-1624	9	Screw-HWH
3	103-0865	3	Washer-Blade Bolt, Heavy	18	3290-357	5	Nut-HHF, Whiz
4	51-4060	3	Screw-Blade	19	3231-2	4	Screw-CARR
5	114-1908-01	1	Skid	22	114-1910	1	Deflector ASM
6	106-3216-01	1	Baffle-Discharge	23	104-8301	37	Nut-Flange, NI
7	117-9604-01	1	Baffle ASM	28	109-6936	2	Cover-Belt, LH
8	117-9701-01	1	Baffle ASM	30	104-8300	1	Nut-Flange, NI
9	107-1664	1	Lever ASM	31	109-6982	2	Wireform-Cover
9:1	106-3239	1	Screw-Lock	32	1-603299	4	Roller-Scalp, Anti
9:2	107-1644	1	Cap-Lock	33	98-7913	2	Tube-Spacer
9:3	106-3241	1	Lever-Lock	34	98-7912	2	Tube-Spanner
9:4	3296-29	1	Nut-Lock, NI	35	323-23	2	Screw-HH
10	117-5758-03	4	Bracket-Cover	36	98-5967	1	Spacer-Wheel
11	105-7734	3	Pulley	37	322-50	1	Screw-HH
12	117-0445	1	Spring Idler ASM	39	114-5204-01	1	Bracket-Wheel, LH
13	117-9791	1	Idler Adjust ASM	40	114-5208-01	1	Bracket-Wheel, Center
14	117-9607	1	Belt-V	41	114-5213-01	1	Bracket-Wheel, RH
15	117-6158	3	Spindle ASM				



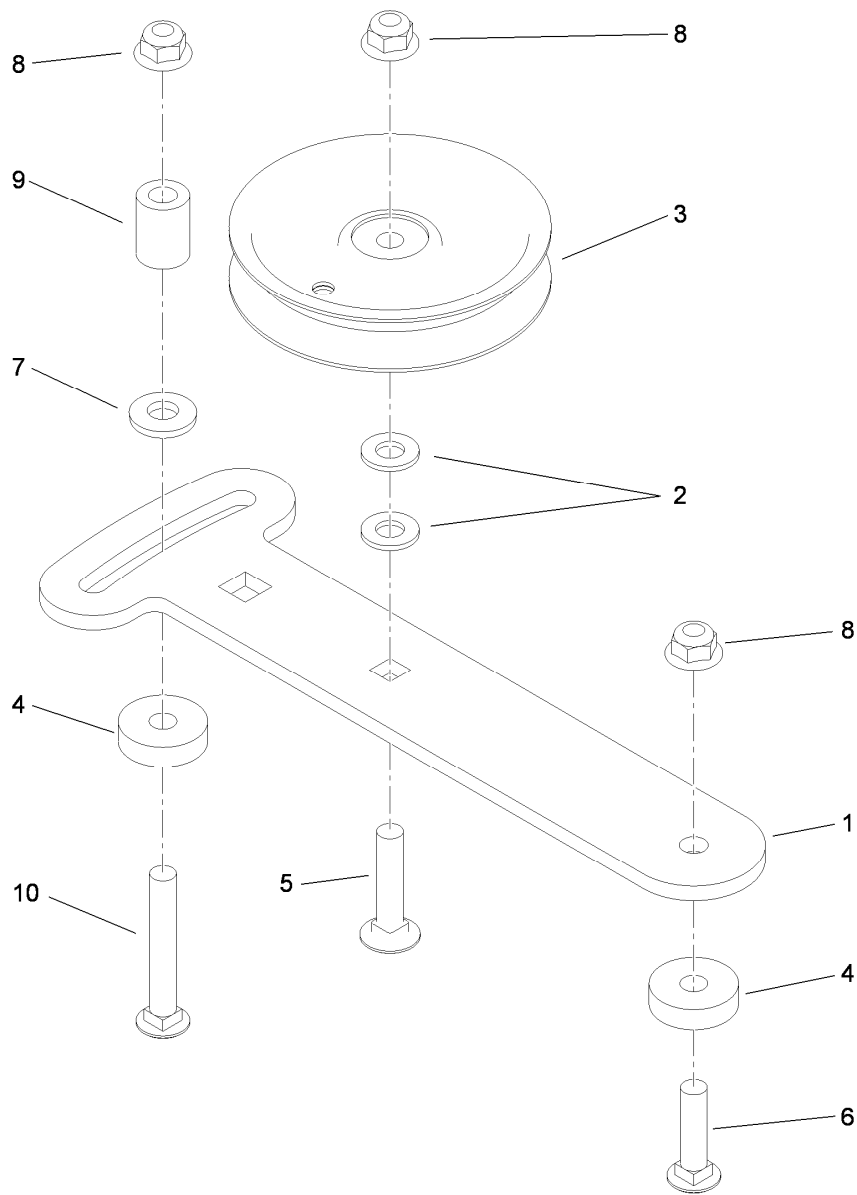
Deck Assembly No. 117-0501

<i>Ref.</i>	<i>Part Number</i>	<i>Qty.</i>	<i>Description</i>
2	54-9220	1	Decal-Danger
3	98-5954	2	Decal-Cover, Missing
4	1-403005	1	Decal-Danger
5	68-8340	1	Decal-Torque
6	117-0486	1	Decal-Tension, Belt
7	107-1619	1	Decal
8	110-2067	1	Decal-Setting, Baffle
9	110-2068	1	Decal-Adjustment, Baffle
11	112-3858	1	Decal-Anti Scalp
12	116-3076	2	Decal-Rotating Parts



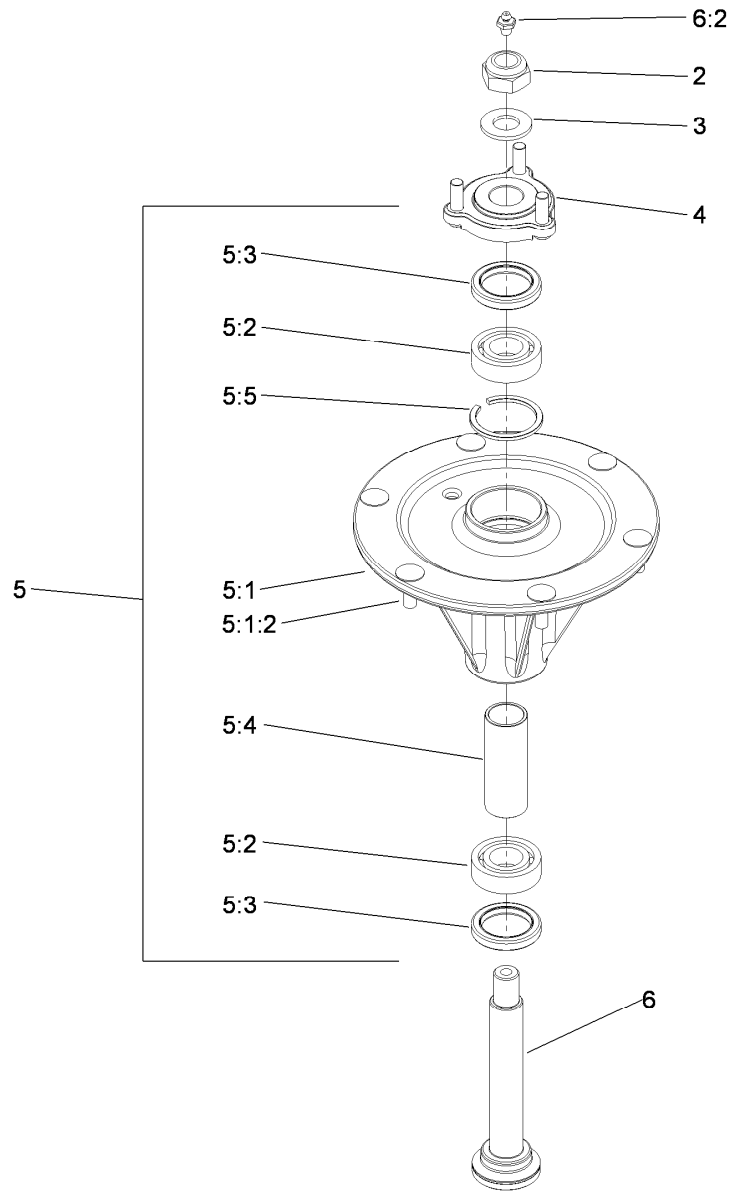
Spring Idler Assembly No. 117-0445

Ref.	Part Number	Qty.	Description
1	114-1992	1	Plate-Idler
2	114-0463	2	Washer-Friction, Composite
3	110-9981	2	Washer-Plain
4	3231-5	2	Screw-CARR
5	3256-24	2	Washer-Flat
6	93-1622	1	Pulley-Idler
7	117-0447-01	1	Bracket-Anchor, Spring
8	108-4056	1	Spring-Extension
9	104-8301	2	Nut-Flange, NI
10	1-413088	1	Bushing-Lever, Lift



Idler Adjust Assembly No. 117-9791

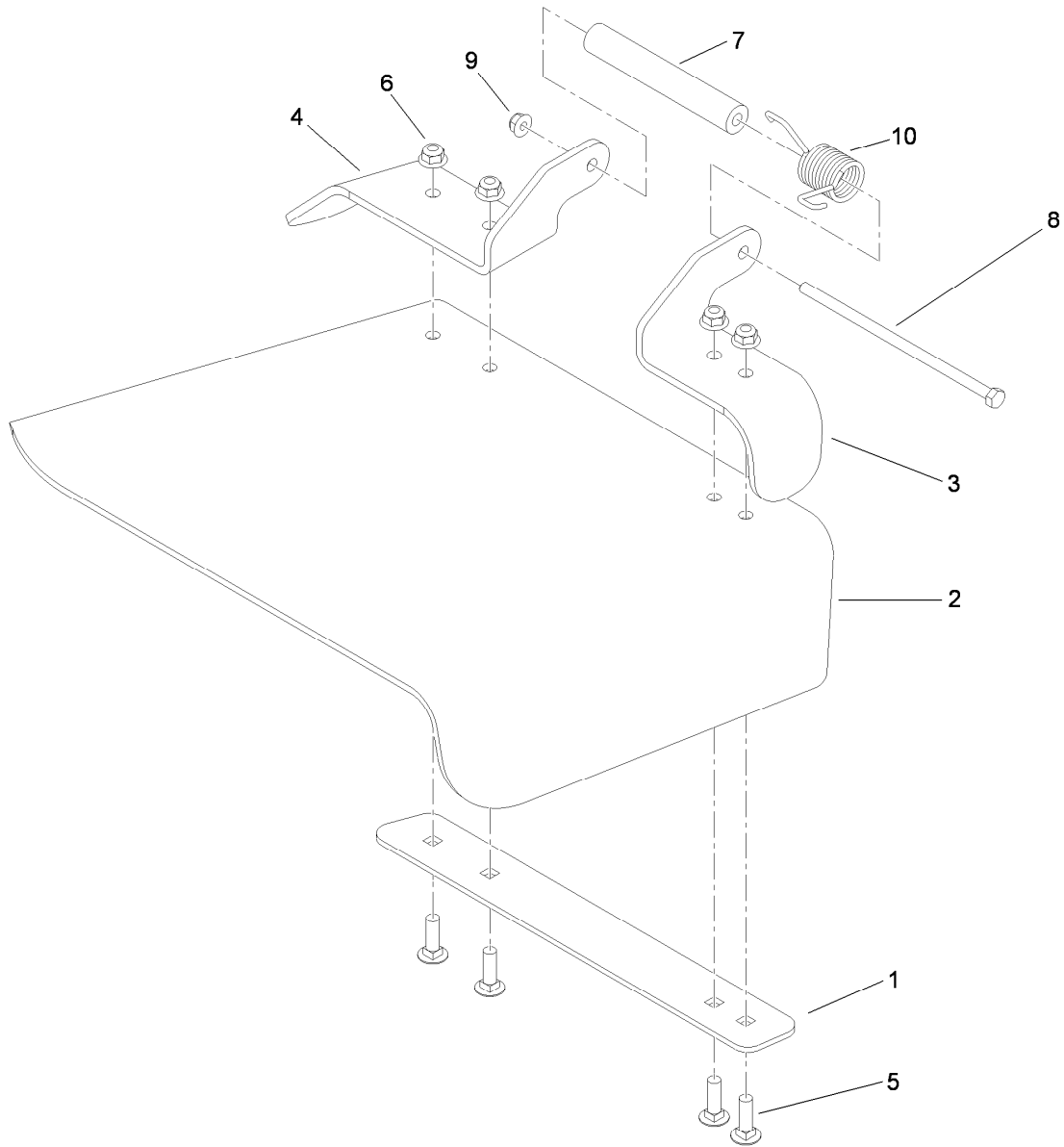
<i>Ref.</i>	<i>Part Number</i>	<i>Qty.</i>	<i>Description</i>
1	114-1991	1	Plate-Idler
2	3256-24	2	Washer-Flat
3	93-1622	1	Pulley-Idler
4	105-7788	2	Spacer
5	3231-5	1	Screw-CARR
6	3231-4	1	Screw-CARR
7	98-5975	1	Washer-Belleville
8	104-8301	3	Nut-Flange, NI
9	106-5620	1	Tube-Interlock
10	3231-31	1	Screw-CARR



Spindle Assembly No. 117-6158

Ref.	Part Number	Qty.	Description
2	3296-67	1	Nut-Lock, NI
3	92-5836	1	Washer
4	117-6172	1	Spindle Hub ASM
5		1	Spindle Housing And Ball Bearing ASM
5:1		1	Spindle Housing And Studs ASM ●
5:1:2	114-8195	6	Bolt-Ribbed Neck
5:2	76-7500	2	Bearing-Ball
5:3	253-133	2	Seal-Oil
5:4	117-6184	1	Spacer
5:5	114-8161	1	Ring-Snap
6	119-1851	1	Spindle Shaft And Zerk ASM
6:2	302-2	1	Fitting-Grease

● Not serviced separately



Deflector Assembly No. 114-1910

Ref.	Part Number	Qty.	Description
1	106-3248-03	1	Strap-Discharge
2	110-0759	1	Deflector-Rubber
3	108-7766-03	1	Bracket-Hinge, Front
4	108-7767-03	1	Bracket-Hinge, Rear
5	3231-25	4	Screw-CARR
6	104-8301	4	Nut-Flange, NI
7	105-4622	1	Spacer
8	322-50	1	Screw-HH
9	104-8300	1	Nut-Flange, NI
10	108-4052	1	Spring-Torsion

Attachments and Accessories

For 74553 GrandStand Mower With 60in TURBO FORCE Cutting Unit

Product Name	Model/Part
Blade-Mid Flow, 20.5 inch.....	105-7715-03
Blade-Lo Flow, 20.5 inch.....	105-7716-03
Blade-Hi Flow, 20.5 inch.....	105-7718-03
Blade-Recycler, 20.5 inch.....	105-7777-03
Blade-Atomic, 20.5 inch.....	105-8777-03
Turbo Baffle Kit.....	107-1634
6 Pack Blade, 20.5 inch Hi-Flow.....	108-1114
6 Pack-Blade, 20.5 inch Atomic.....	108-1115
6 Pack Blade, 20.5 inch Mid-Flow.....	108-1123
6 Pack-Blade, 20.5 inch Lo Flow.....	108-1128
6 Pack-Blade, 20.5 inch Recycler.....	110-0405
Weight-Cast.....	112-7059-01
Light Kit.....	114-3505
Striping Kit.....	114-3521
Hypr-Oil 500 (quart).....	114-4713
Hypr-Oil 500 (gallon).....	114-4714
Hypr-Oil 500-5 (5 gallon).....	114-4715
Recycler Kit.....	115-7468
Weight Kit.....	117-3620
Chute Gate Kit With Bag.....	119-7292
Trash Bag ASM.....	119-7293
Soft Bag (3 Bushel).....	30104

Notes:

Notes:



Count on it.