



Count on it.

Parts Catalog

Super Recycler® Lawn Mower

Model No. 20090—Serial No. 290000001 and Up

Ordering Replacement Parts

To order replacement parts, please supply the part number, the quantity, and the description of each part desired.

Understanding Reference Numbers

Each identified part in an illustration has a reference number. The reference number for a part also appears in the parts list, along with other information about the part.

This catalog uses two special reference number formats, one to indicate parts in a service assembly and another to indicate the quantity of a given part in an illustration.

Service Assembly Reference Numbers

Parts in service assemblies have reference numbers in the form a:b. The a represents the reference number of the entire service assembly and the b represents a sequential number unique to each part within the service assembly.

For example, a wheel assembly might be identified by reference number 6, the tire by 6:1, the valve by 6:2, and the wheel by 6:3. When you order the assembly identified by reference number 6, you receive all parts identified by reference numbers 6:1, 6:2, and 6:3. However, you may also order any part individually. Reference numbers of this type appear in illustration and in parts lists.

Reference Numbers Indicating Quantity

In an illustration, if a reference number indicates more than one part, the reference number has the form nX y. The n represents the quantity of the part, the X is the multiplication symbol, and the y represents the reference number.

For example, in an illustration, the reference number 2X 37 means that two of the parts identified by reference number 37 are indicated.

List of Abbreviations

AR: as required

ASM: assembly

BBC: blade brake control

BHTF: button head thread forming

CARR: carriage

CCW: counter clockwise

CW: clockwise

DEG: degrees

DPA: Dual Point Adjustment

ECM: electronic control module

EXT: external

FH: flat head

GA: gauge

HD: heavy-duty

HF: hex flange

HH: hex head

HHF: hex head flange

HHFTF: hex head flange thread forming

HJ: hex jam

HLH: hex lag head

HOC: height-of-cut

HSBH: hex socket button head

HSFH: hex socket flat head

HSH: hex socket head

HWH: hex washer head

HWHTF: hex washer head thread forming

HYD: hydraulic

LH: left hand

LP: Liquid Propane

NI: nylon insert

NPTF: national pipe thread fine

PFH: phillips flat head

PPH: phillips pan head

PPHTF: phillips pan head thread forming

PRH: phillips round head

PTH: phillips truss head

PTO: power-take-off

RH: right hand

ROPS: roll-over protection system

RRB: rear roller brush

SFH: slotted fillister head

SHH: slotted hex head

SHWH: slotted hex washer head

SPH: slotted pan head

SQH: square head

SRH: slotted round head

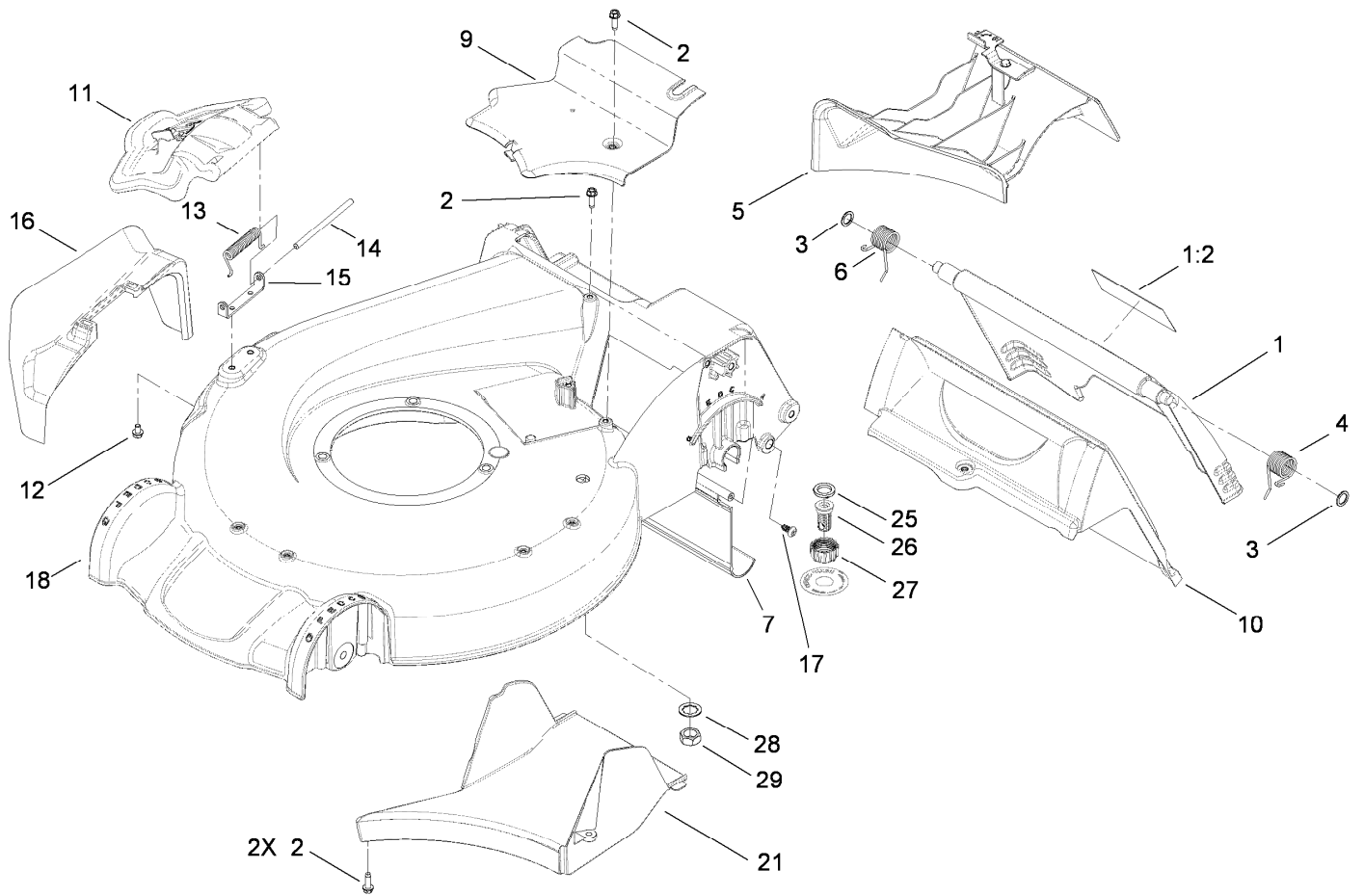
STD: standard

TAP: self tapping

TTH: torx truss head

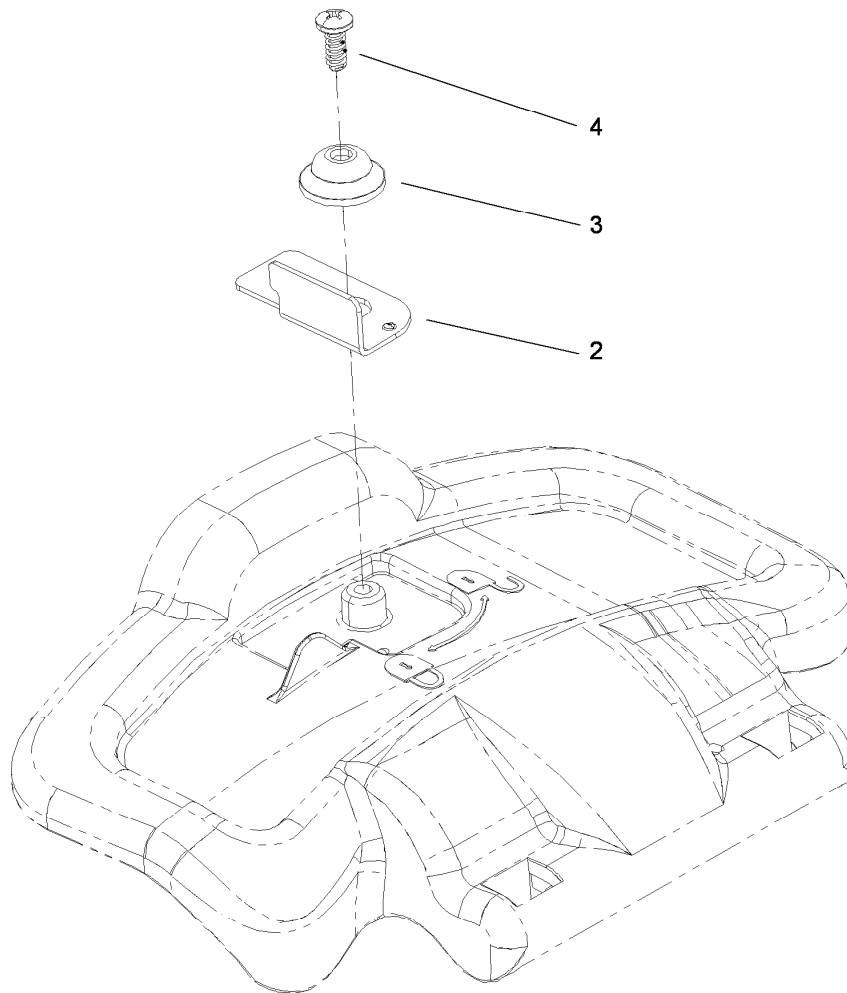
Contents

Deck Housing and Rear Door Assembly	4
Discharge Door Assembly No. 107-3717	5
Housing Assembly No. 115-2854	6
Front and Rear Wheel Assembly	7
Engine and Blade Assembly	8
Handle Assembly	9
Cylinder Assembly Briggs and Stratton 126T02-0224-B1	10
Crankshaft Assembly Briggs and Stratton 126T02-0224-B1	11
Crankcase Assembly Briggs and Stratton 126T02-0224-B1	12
Carburetor Assembly Briggs and Stratton 126T02-0224-B1	13
Air Cleaner Assembly Briggs and Stratton 126T02-0224-B1	14
Governor Assembly Briggs and Stratton 126T02-0224-B1	15
Muffler and Fuel Tank Assembly Briggs and Stratton 126T02-0224-B1	16
Blower Housing Assembly Briggs and Stratton 126T02-0224-B1	17
Starter Assembly Briggs and Stratton 126T02-0224-B1	18
Engine Gasket Set Briggs and Stratton 126T02-0224-B1	19
Carburetor Overhaul Kit Briggs and Stratton 126T02-0224-B1	20
Attachments and Accessories	21



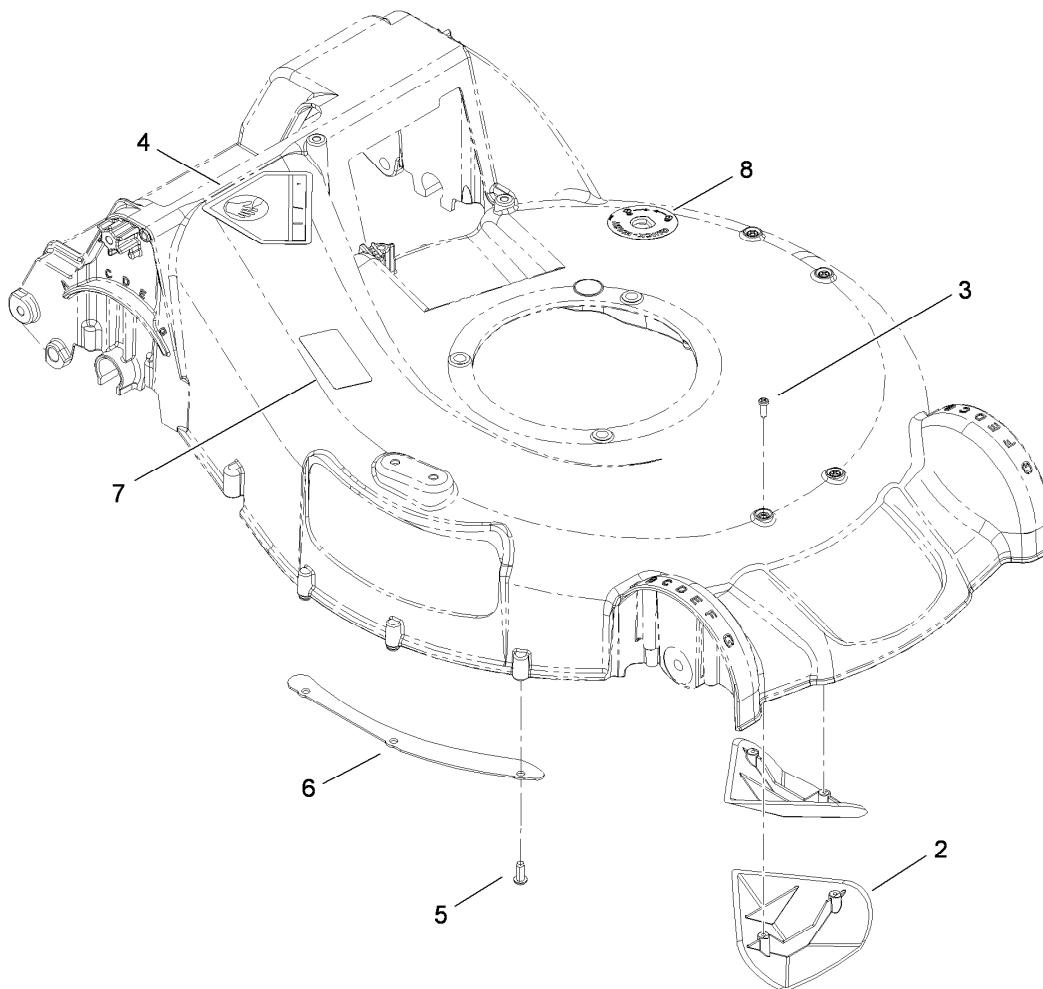
Deck Housing and Rear Door Assembly

<i>Ref.</i>	<i>Part Number</i>	<i>Qty.</i>	<i>Description</i>
1	114-7992	1	Rear Door ASM
1:2	114-7982	1	Decal-Warning
2	49-2040	4	Screw-HWHTF
3	94-8196	2	Washer-Nylon
4	115-2859	1	Spring-Torsion
5	115-8413	1	Mulch Plug ASM
6	114-7924	1	Spring-Torsion
7	114-1586	1	Shield-Trailing
9	107-7494	1	Cover-Belt
10	114-2668	1	Chute
11	107-3717	1	Discharge Door ASM
12	99-8445	2	Screw-HWH, Taptite
13	99-5293	1	Spring-Torsion
14	99-5291	1	Rod-Cover
15	112-6416	1	Bracket-Cover
16	108-3753	1	Chute-Discharge, Side
17	117-1092	2	Screw-PTH
18	115-2854	1	Housing ASM
21	107-7495	1	Tunnel-Discharge
25	112-6438	1	Washer-Seal, Washout Port
26	112-6400	1	Port-Washout
27	112-6401	1	Coupling-Hose, Washout Port
28	3254-5	1	Washer-Tooth, Internal
29	3218-6	1	Nut-Jam



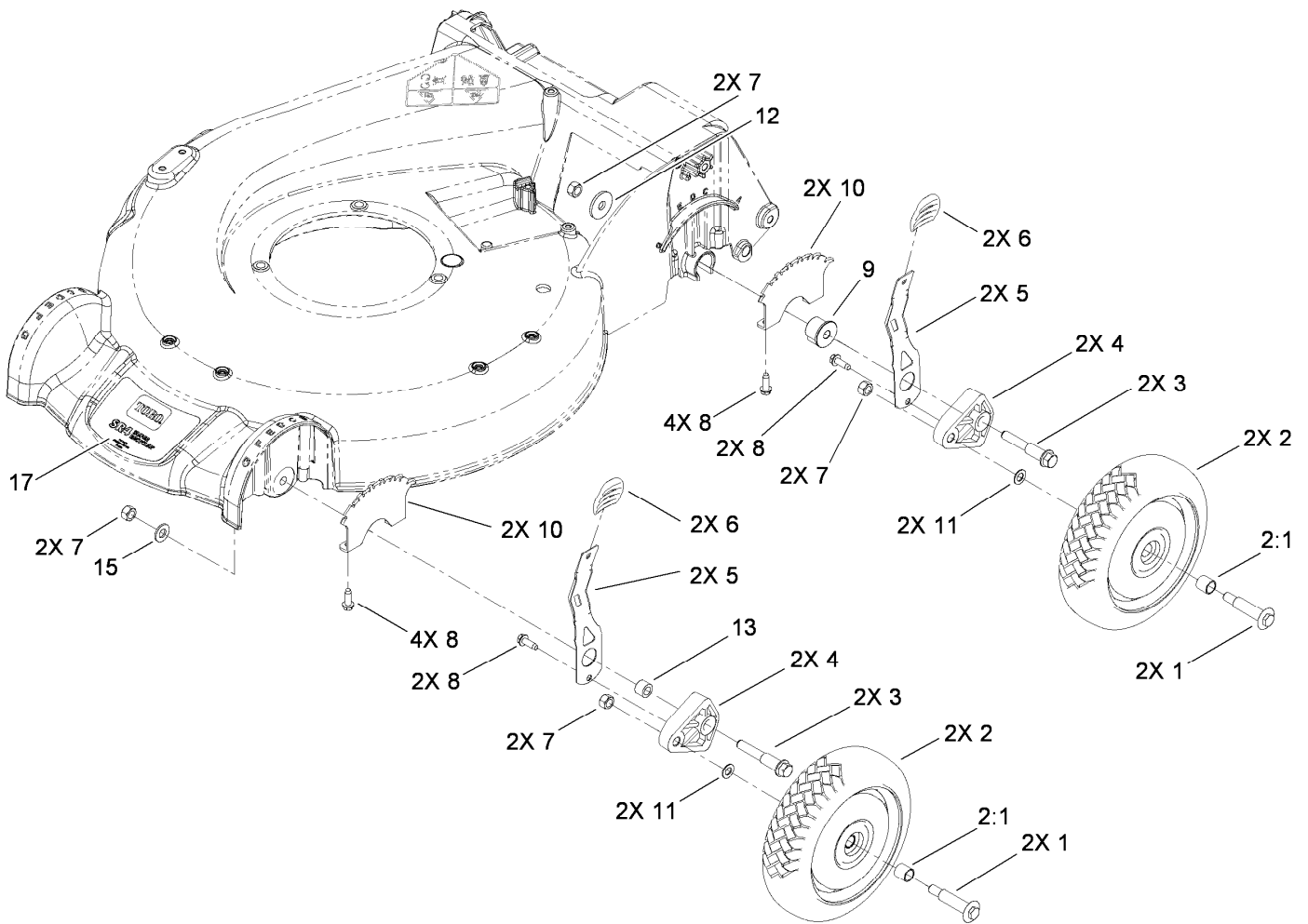
Discharge Door Assembly No. 107-3717

<i>Ref.</i>	<i>Part Number</i>	<i>Qty.</i>	<i>Description</i>
2	107-0795	1	Latch-Door
3	107-7456	1	Cap-Door
4	107-7461	1	Screw-Plastite



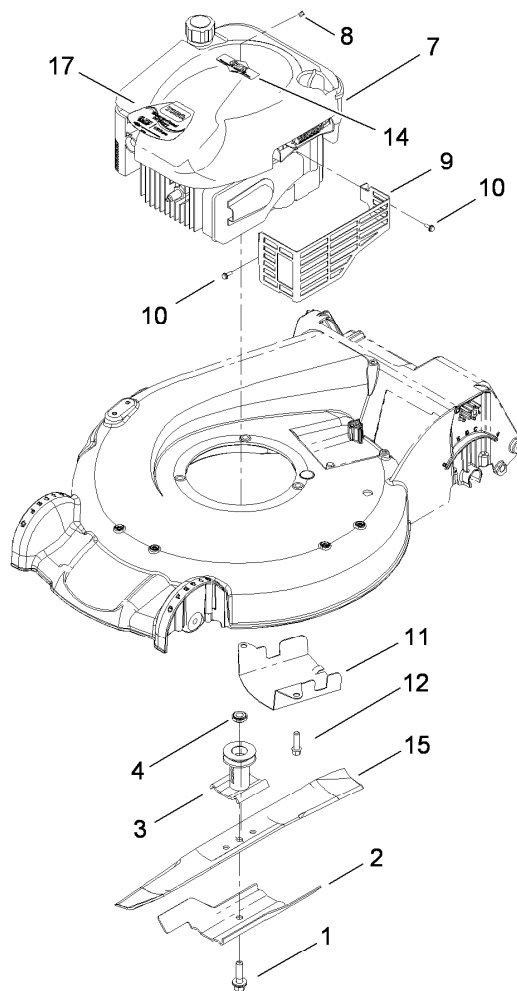
Housing Assembly No. 115-2854

<i>Ref.</i>	<i>Part Number</i>	<i>Qty.</i>	<i>Description</i>
2	108-3798	2	Kicker-Housing
3	32144-111	4	Screw-PPH
4	94-8072	1	Decal-Danger
5	63-8590	3	Screw
6	105-1316-03	1	Sheet-Lip
7	108-8117	1	Decal-Placement, Foot
8	112-8867	1	Decal-Port, Washout



Front and Rear Wheel Assembly

Ref.	Part Number	Qty.	Description
1	92-1057	4	Bolt-Shoulder
2	14-9989	4	Wheel And Tire ASM
2:1	27-6250	2	Bushing
3	114-3467	4	Screw-Shoulder
4	107-7492	4	Arm-Pivot
5	107-7491	4	Arm-Spring
6	105-3042	4	Knob-Lever, HOC
7	603773	8	Nut
8	49-2040	12	Screw-HWHTF
9	108-9758	2	Spacer-Hp
10	107-7478	4	Plate-HOC
11	40-1940	4	Washer
12	2844	2	Washer
13	52-2480	2	Spacer-Wheel
15	3256-24	2	Washer-Flat
17	108-8168	1	Decal-Supercare

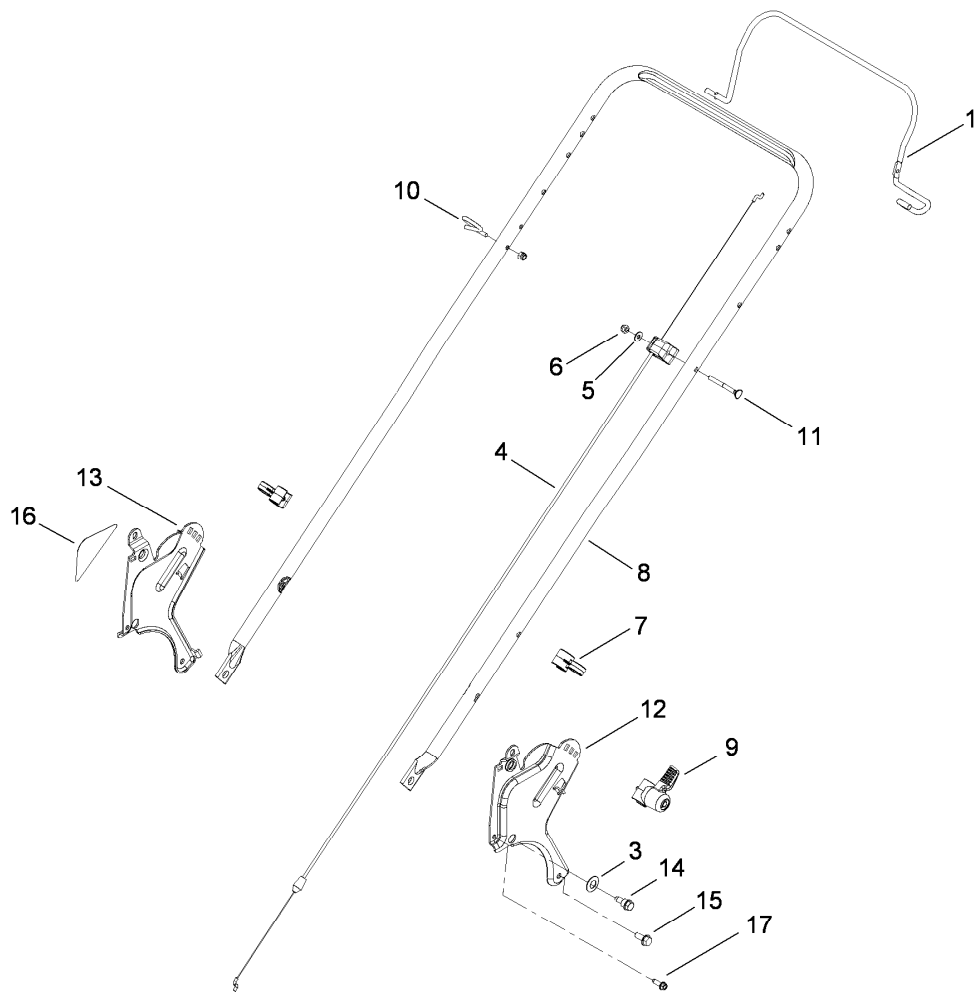


Engine and Blade Assembly

<i>Ref.</i>	<i>Part Number</i>	<i>Qty.</i>	<i>Description</i>
1	105-8579	1	Bolt-Blade
2	105-6848-03	1	Accelerator-Blade
3	106-3987	1	Blade Driver ASM
4	106-3999	1	Spacer-Driver
7		1	Engine-B&s, 126T02-0224-B1 ●■
8	2210-316	1	Stop-Rope
9	104-7577-03	1	Shield-Muffler
10	32144-1	3	Screw-Taptite
11	107-7489-03	1	Shield-Grass
12	95-1727	3	Screw-Taptite
14	108-8130	1	Decal-Recoil
15	108-3762-03	1	Blade-Recycling
17	114-0339	1	Decal-Engine

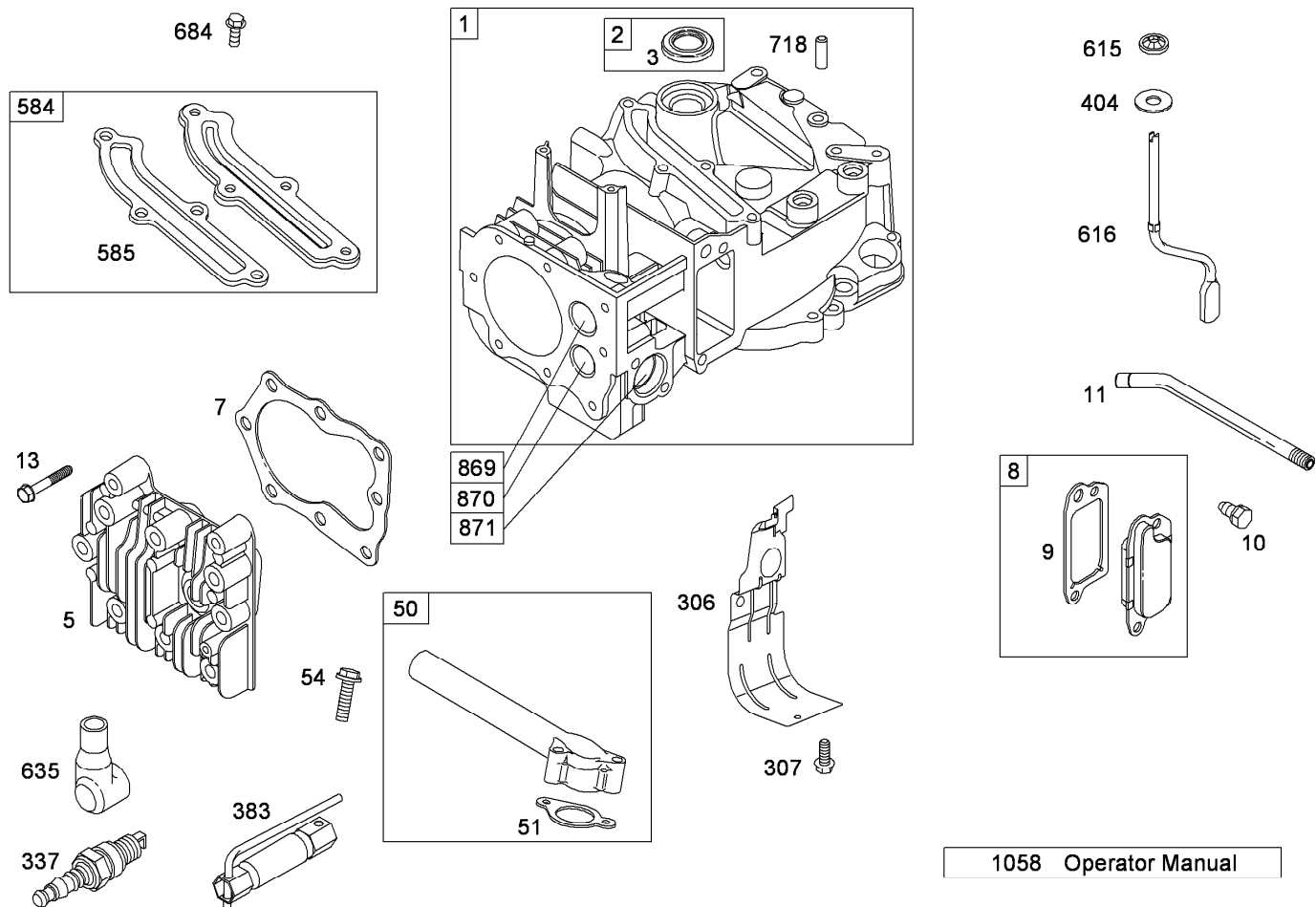
● Not serviced separately

■ Obtain parts from www.briggsandstratton.com



Handle Assembly

<i>Ref.</i>	<i>Part Number</i>	<i>Qty.</i>	<i>Description</i>
1	117-4137-03	1	Bail-Brake
3	112-9972	2	Washer-Conical, Spring
4	117-5919	1	Cable-Brake
5	3256-1	1	Washer-Flat
6	3296-73	2	Nut-Lock, NI
7	106-6805	1	Guide-Cable
8	115-1300-05	1	Handle
9	115-2860	2	Quick Release ASM
10	86-9671	1	Guide-Rope
11	92-2270	1	Screw-Handle
12	114-2671-03	1	Bracket-Handle, LH
13	114-2672-03	1	Bracket-Handle, RH
14	115-1958	2	Bolt-Shoulder
15	32144-11	2	Screw-HWHTF
16	115-2884	1	Decal-Instruction
17	49-2040	2	Screw-HWHTF



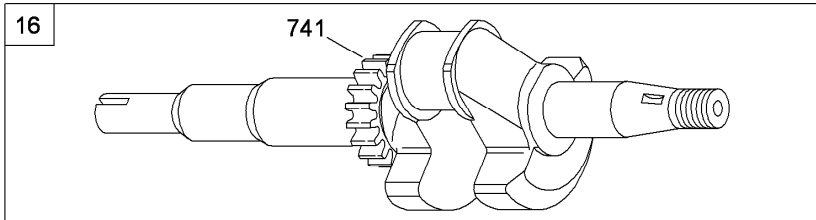
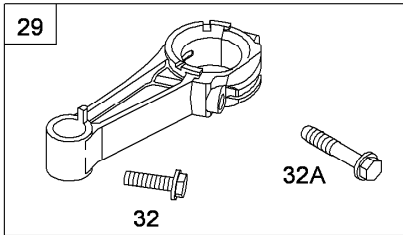
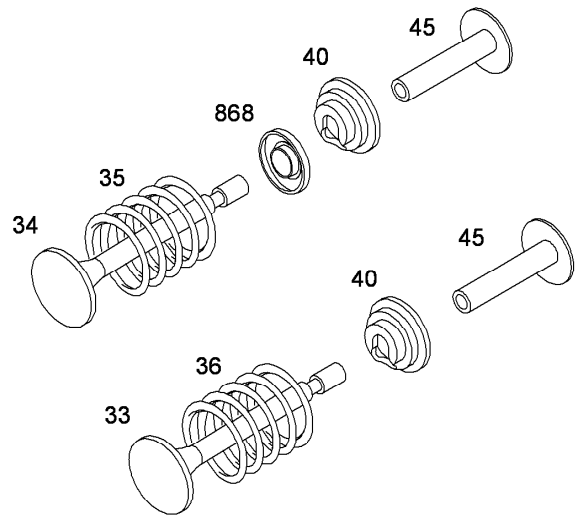
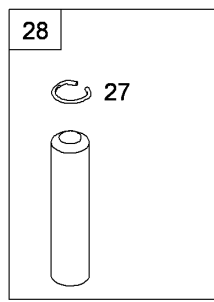
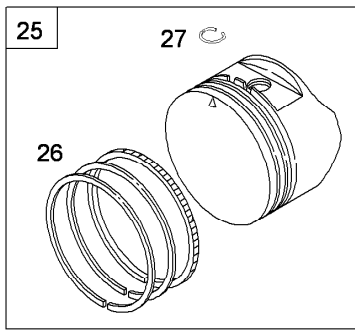
Assemblies include all parts shown in frames

Cylinder Assembly Briggs and Stratton 126T02-0224-B1

Ref.	Part Number	Qty.	Description	Ref.	Part Number	Qty.	Description
1	697322	1	Cylinder ASM ●	383	89838s	1	Wrench-Spark Plug ●
2	399269	1	Bushing And Seal Kit ●	404	690272	1	Washer (Governor Crank) ●
3	299819s	1	Seal-Oil (Magneto Side) ●■	584	697734	1	Cover-Passage, Breather ●
5	691160	1	Head-Cylinder ●	585	691879	1	Gasket-Passage, Breather ■●
7	692249	1	Gasket-Head, Cylinder ■●	615	690340	1	Retainer-Shaft, Governor ●
8	695250	1	Breather Asm ●	616	698801	1	Crank-Governor ●
9	696125	1	Gasket-Breather ●	635	66538s	1	Boot-Spark Plug ●
10	691125	1	Screw (Breather ASM) ●	684	690345	1	Screw (Breather Passage Cover) ●
11	691781	1	Tube-Breather ●	718	690959	1	Pin-Locating ●
13	690912	1	Screw (Cylinder Head) ●	869	691155	1	Seat-Valve (Intake) ●
50	794305	1	Manifold-Intake ●	870	690380	1	Seat-Valve (Exhaust) ●
51	794306	1	Gasket-Intake ■●	871	262001	1	Bushing-Guide (Exhaust) ●
54	691650	1	Screw (Intake Manifold) ●	871	63709	1	Bushing-Guide (Intake) ●
306	790836	1	Shield-Cylinder ●	1058	277039TRI	1	Operator Manual ●
307	690345	1	Screw (Cylinder Shield) ●				
337	802592s	1	Spark Plug ●				

● Obtain parts from www.briggsandstratton.com

■ Included in Engine Gasket Set (Ref. No. 358)

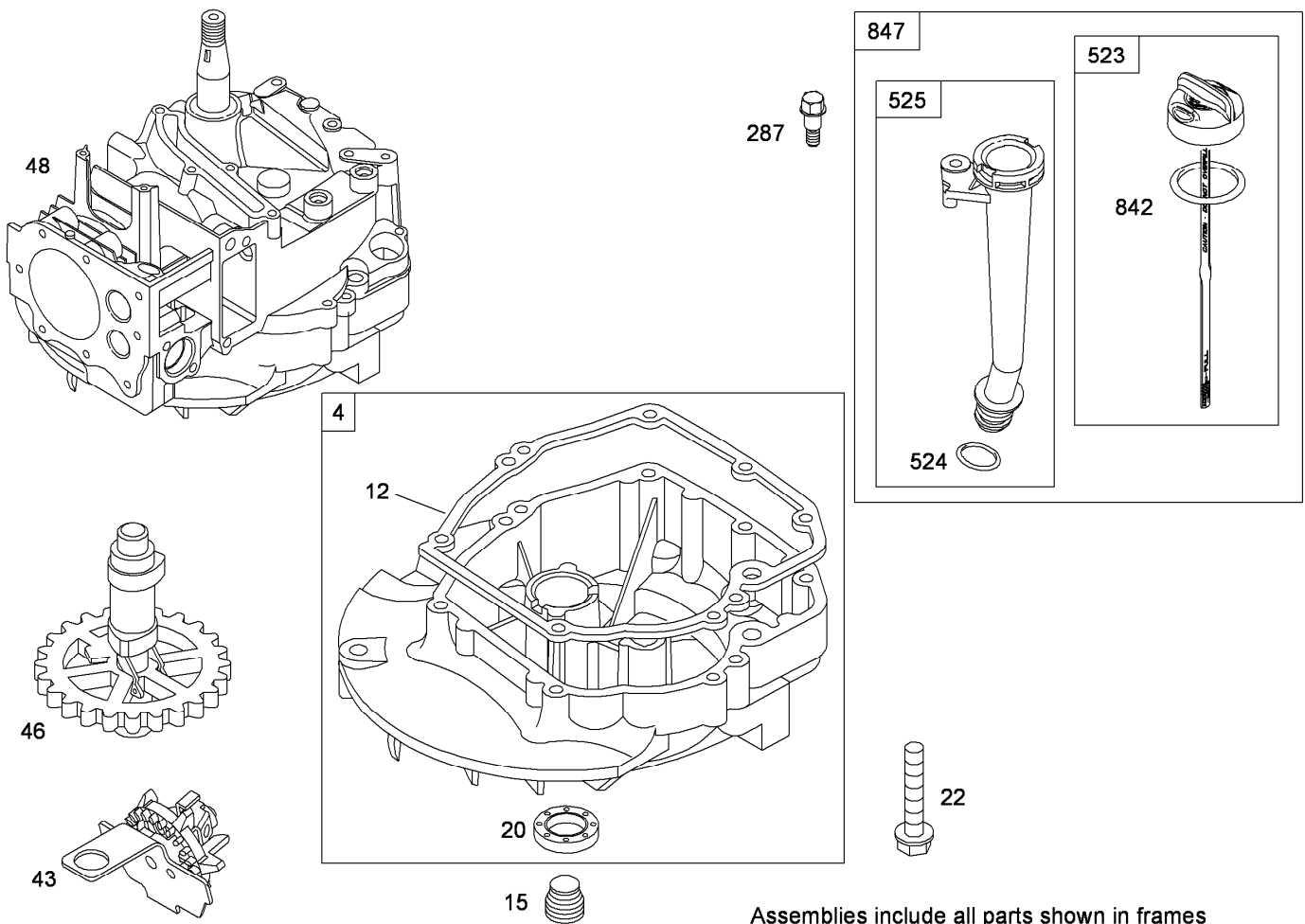


Assemblies include all parts shown in frames

Crankshaft Assembly Briggs and Stratton 126T02-0224-B1

Ref.	Part Number	Qty.	Description
16	696009	1	Crankshaft ●
24	222698s	1	Key-Flywheel ●
25	795429	1	Piston Asm (Std) ●
25	795430	1	Piston Asm (.020 Oversize) ●
26	795431	1	Ring Set (Std) ●
26	795432	1	Ring Set (.020 Oversize) ●
27	691866	1	Lock-Pin, Piston ●
28	499423	1	Pin-Piston (Std) ●
29	499424	1	Rod-Connecting ●
32	691664	1	Screw (Connecting Rod) ●
32A	695759	1	Screw (Connecting Rod) ●
33	262651s	1	Valve-Exhaust ●
34	262652s	1	Valve-Intake ●
35	691270	1	Spring-Valve (Intake) ●
36	691270	1	Spring-Valve (Exhaust) ●
40	692194	1	Retainer-Valve ●
45	690548	1	Tappet-Valve ●
741	790345	1	Gear-Timing ●
868	697338	1	Seal-Valve ●

● Obtain parts from www.briggsandstratton.com



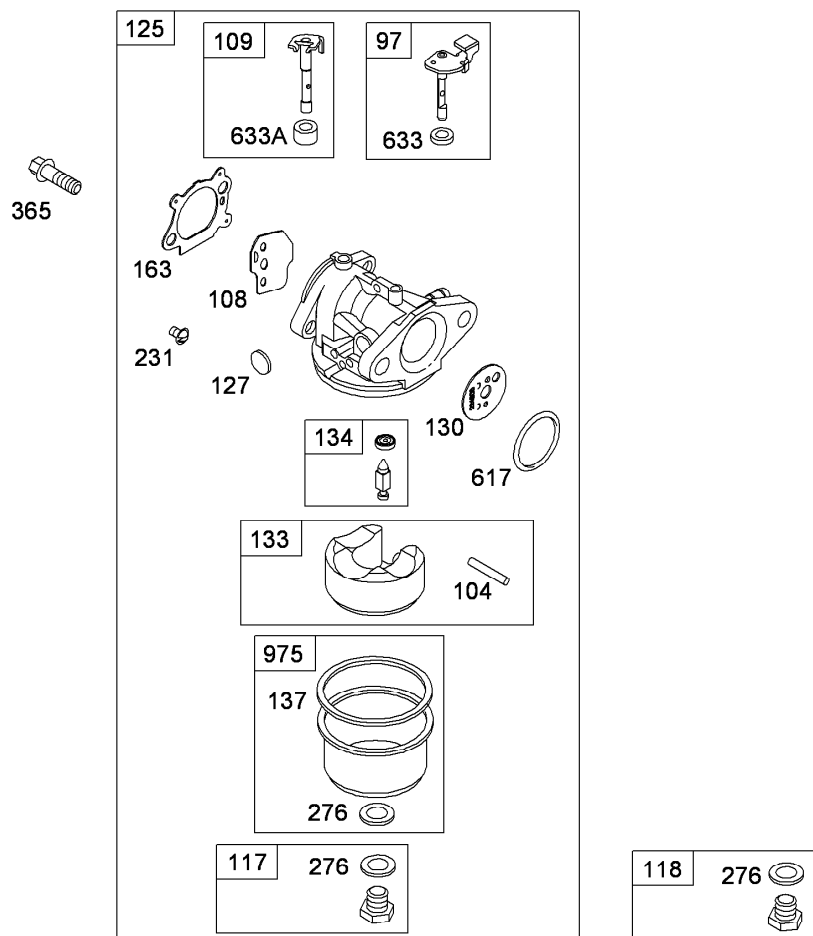
Assemblies include all parts shown in frames

Crankcase Assembly Briggs and Stratton 126T02-0224-B1

Ref.	Part Number	Qty.	Description
4	493279	1	Sump-Engine ●
12	692232	1	Gasket-Crankcase (.015 STD) ●■
15	691680	1	Plug-Drain, Oil ●
20	399781s	1	Seal-Oil (PTO Side) ●■
22	691092	1	Screw (Engine Sump) ●
43	691997	1	Slinger-Oil, Governor ●
46	691449	1	Camshaft ●
48	792742	1	Block-Short ●
287	690940	1	Screw (Dipstick Tube) ●●
523	499621	1	Dipstick ●
524	692296	1	Seal-O Ring (Dipstick Tube) ●■
525	495265	1	Tube-Dipstick ●
842	691031	1	Seal-O Ring (Dipstick Tube) ●■
847	692047	1	Dipstick Tube ASM ●

● Obtain parts from www.briggsandstratton.com

■ Included in Engine Gasket Set (Ref. No. 358)



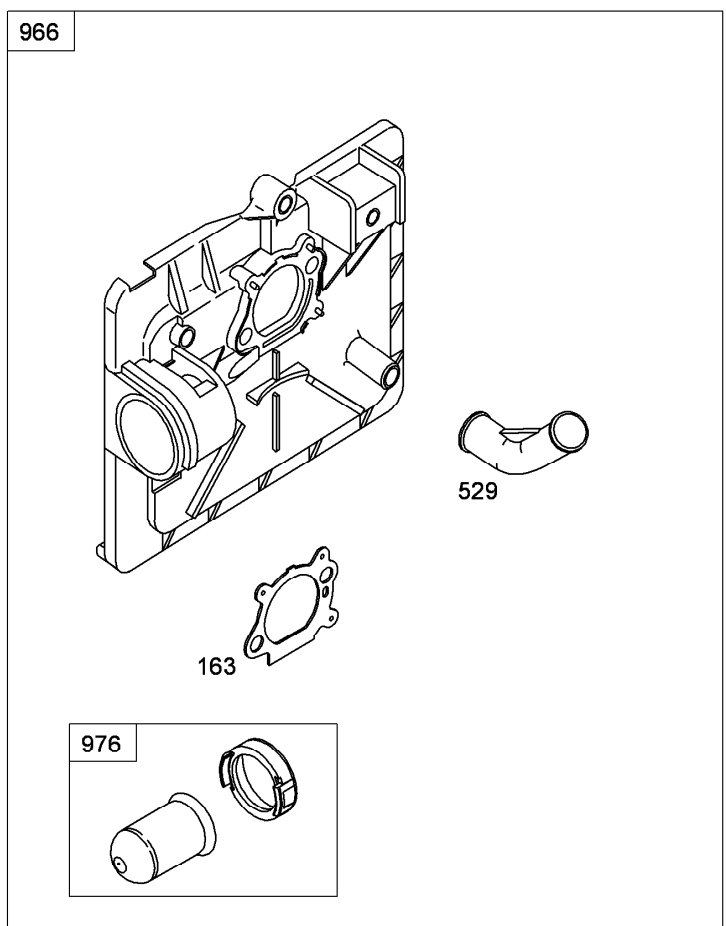
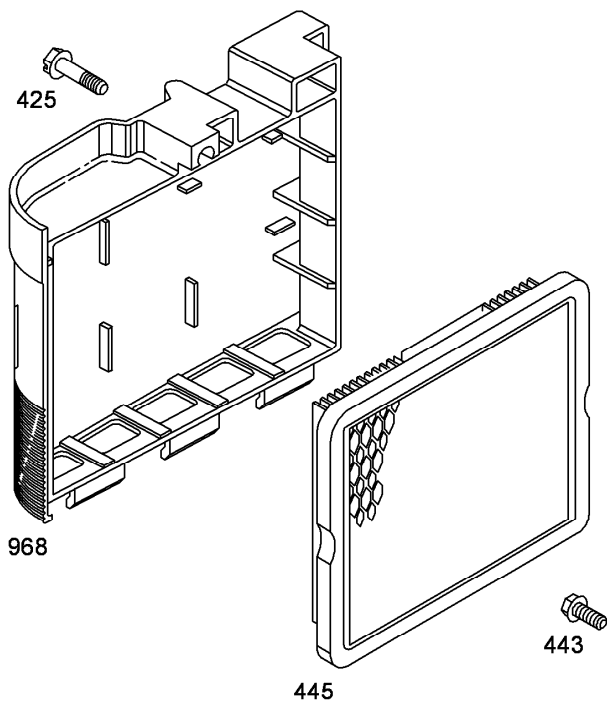
Assemblies include all parts shown in frames

Carburetor Assembly Briggs and Stratton 126T02-0224-B1

Ref.	Part Number	Qty.	Description
97	696565	1	Shaft-Throttle ●
104	691242	1	Pin-Hinge, Float ●◆
108	790844	1	Valve-Choke ●
109	790843	1	Shaft-Choke ●
117	691428	1	Jet-Main (Standard) ●
118	498977	1	Jet-Main (High Altitude) ●
125	794304	1	Carburetor ●
127	694468	1	Plug-Welch ●◆
130	696564	1	Valve-Throttle ●
133	398187	1	Float-Carburetor ●
134	398188	1	Needle And Seat Kit ●◆
137	693981	1	Gasket-Bowl, Float ●◆▲
163	272653s	1	Gasket-Cleaner, Air ●◆■▲
231	691636	1	Screw (Choke Valve) ●
276	271716	1	Washer-Sealing ●◆▲
365	692524	1	Screw (Carburetor) ●
617	270344s	1	Seal-O Ring (Intake Manifold) ●◆▲
633	691321	1	Seal-Shaft, Choke Throttle ●◆▲
633A	693867	1	Seal-Shaft, Choke Throttle ●◆▲
975	493640	1	Bowl-Float ●

● Obtain parts from www.briggsandstratton.com
▲ Included in Carburetor Gasket Set (Ref. No. 977)

■ Included in Engine Gasket Set (Ref. No. 358)
◆ Included in Carburetor Overhaul Kit (Ref. No. 121)



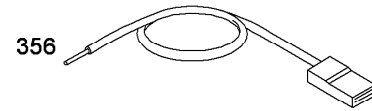
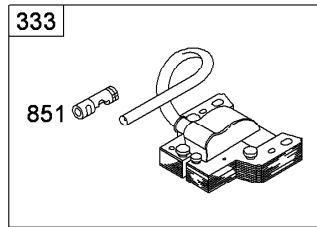
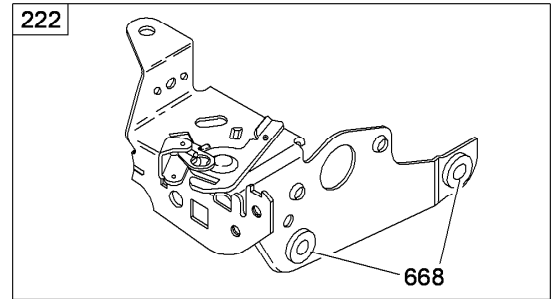
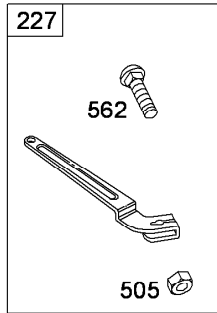
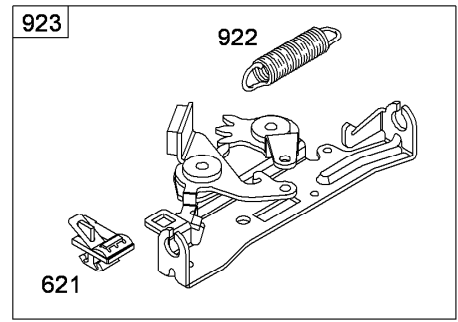
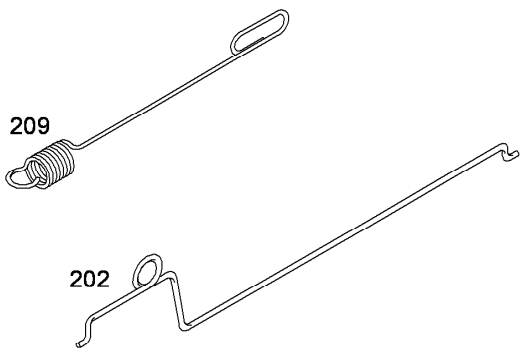
Assemblies include all parts shown in frames

Air Cleaner Assembly Briggs and Stratton 126T02-0224-B1

Ref.	Part Number	Qty.	Description
163	272653s	1	Gasket-Cleaner, Air ●■◆▲
425	690670	1	Screw (Air Cleaner Cover) ●
443	692523	1	Screw (Air Cleaner Primer Base) ●
445	491588s	1	Filter-Cartridge, Air Cleaner ●
529	691923	1	Grommet ●
966	792040	1	Base-Primer, Air Cleaner ●●
968	692298	1	Cover-Cleaner, Air ●
976	694395	1	Primer-Carburetor ●

● Obtain parts from www.briggsandstratton.com
▲ Included in Carburetor Gasket Set (Ref. No. 977)

■ Included in Engine Gasket Set (Ref. No. 358)
◆ Included in Carburetor Overhaul Kit (Ref. No. 121)



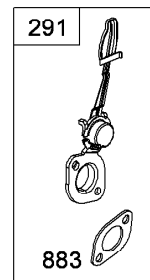
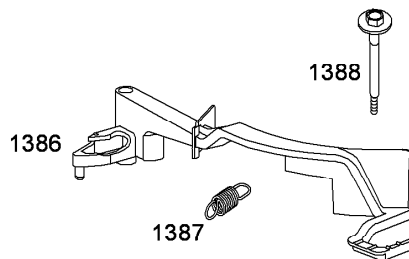
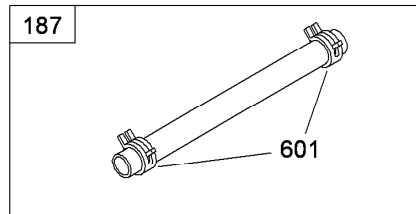
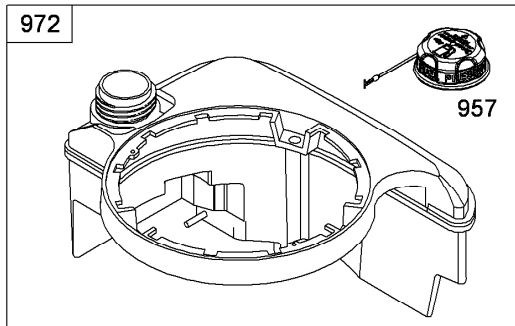
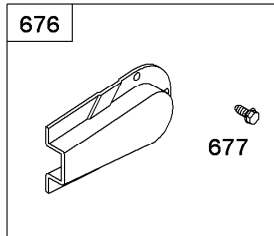
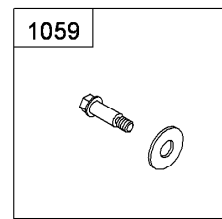
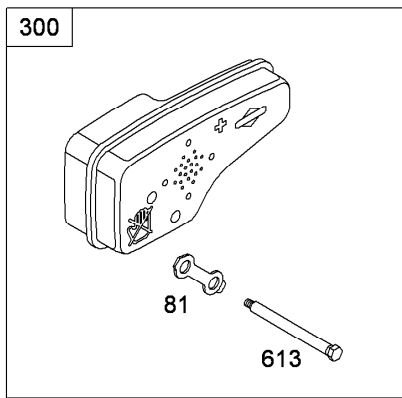
Assemblies include all parts shown in frames

Governor Assembly Briggs and Stratton 126T02-0224-B1

Ref.	Part Number	Qty.	Description
188	693399	1	Screw (Control Bracket) ●
202	691829	1	Link-Governor, Mechanical ●
209	691292	1	Spring-Governor ●
222	793754	1	Bracket-Control ●
227	690783	1	Lever-Control, Governor ●
333	790817	1	Armature-Magneto ●
334	691061	1	Screw (Magneto Armature) ●
356	692390	1	Wire-Stop ●
505	691251	1	Nut (Governor Control Lever) ●
562	691119	1	Bolt (Governor Control Lever) ●
621	692310	1	Switch-Stop ●
668	493823	1	Spacer ●■
745	691648	1	Screw (Brake) ●
851	493880s	1	Terminal-Spark Plug ●
922	691831	1	Spring-Brake ●
923	691994	1	Brake ASM ●

● Obtain parts from www.briggsandstratton.com

■ Included in Engine Gasket Set (Ref. No. 358)

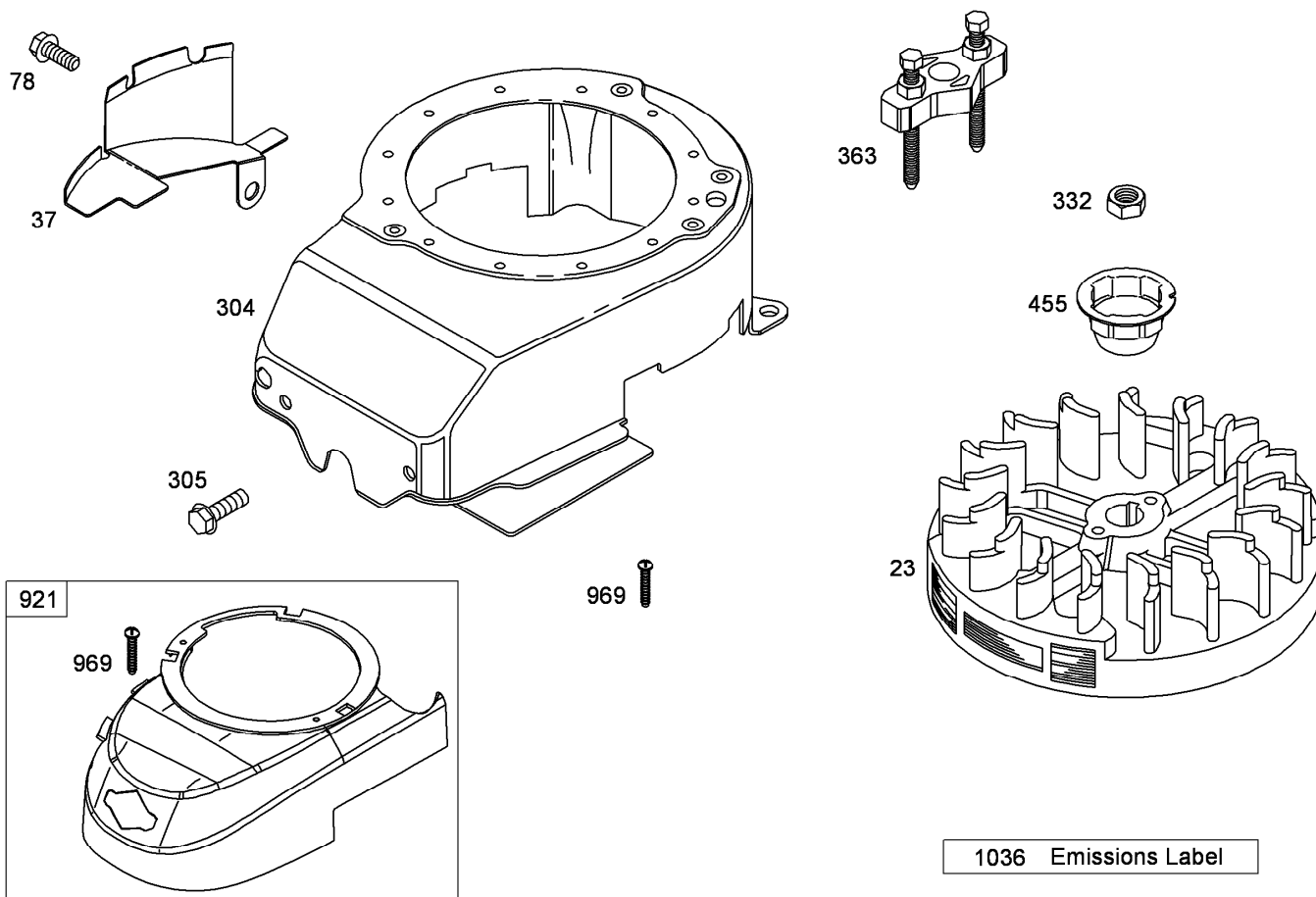


Assemblies include all parts shown in frames

Muffler and Fuel Tank Assembly Briggs and Stratton 126T02-0224-B1

Ref.	Part Number	Qty.	Description
81	691740	1	Lock-Screw, Muffler ●
187	791766	1	Line-Fuel (Cut To Required Length) ●
190	690940	1	Screw (Fuel Tank) ●
291	790830	1	Thermostat ●
300	692038	1	Muffler ●
601	791850	1	Clamp-Hose ●
613	691340	1	Screw (Muffler) ●
670	692294	1	Spacer-Tank, Fuel ●
676	493871	1	Deflector-Muffler ●
677	690661	1	Screw (Muffler Deflector) ●
883	691881	1	Gasket-Exhaust ●
957	699985	1	Cap-Tank, Fuel ●
972	699374	1	Tank-Fuel ●
1059	692311	1	Screw And Washer Kit ●
1386	790848	1	Vane-Air ●
1387	790849	1	Spring-Vane, Air ●
1388	790850	1	Screw (Air Vane) ●

● Obtain parts from www.briggsandstratton.com



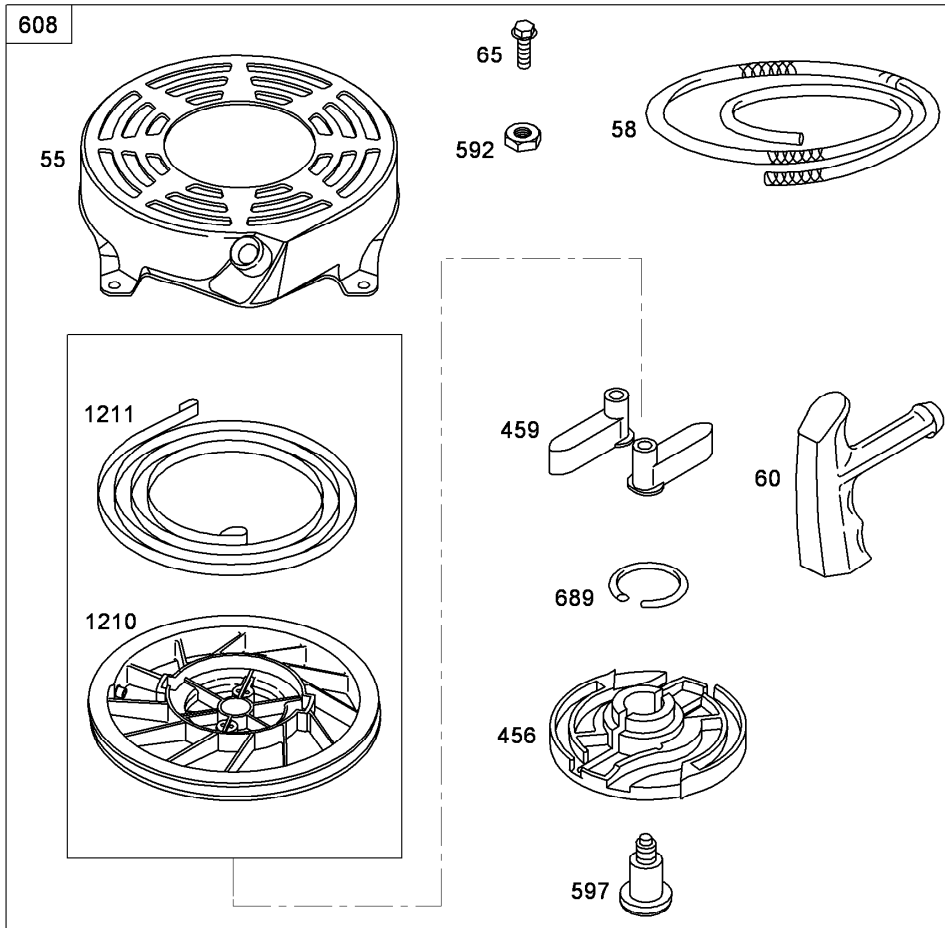
Assemblies include all parts shown in frames

Blower Housing Assembly Briggs and Stratton 126T02-0224-B1

Ref.	Part Number	Qty.	Description
23	691987	1	Flywheel ■
37	694086	1	Guard-Flywheel ■
78	691108	1	Screw (Flywheel Guard) ■
304	790983	1	Housing-Blower ■
305	691108	1	Screw (Blower Housing) ■
332	690662	1	Nut (Flywheel) ■
363	19069	1	Puller-Flywheel ■
455	791760	1	Gasket-Passage, Breather ■
921	790036	1	Cover-Housing, Blower ■
969	691138	1	Screw (Blower Housing Cover) ■
1036		1	Label-Emissions ■●

● Not serviced separately

■ Obtain parts from www.briggsandstratton.com



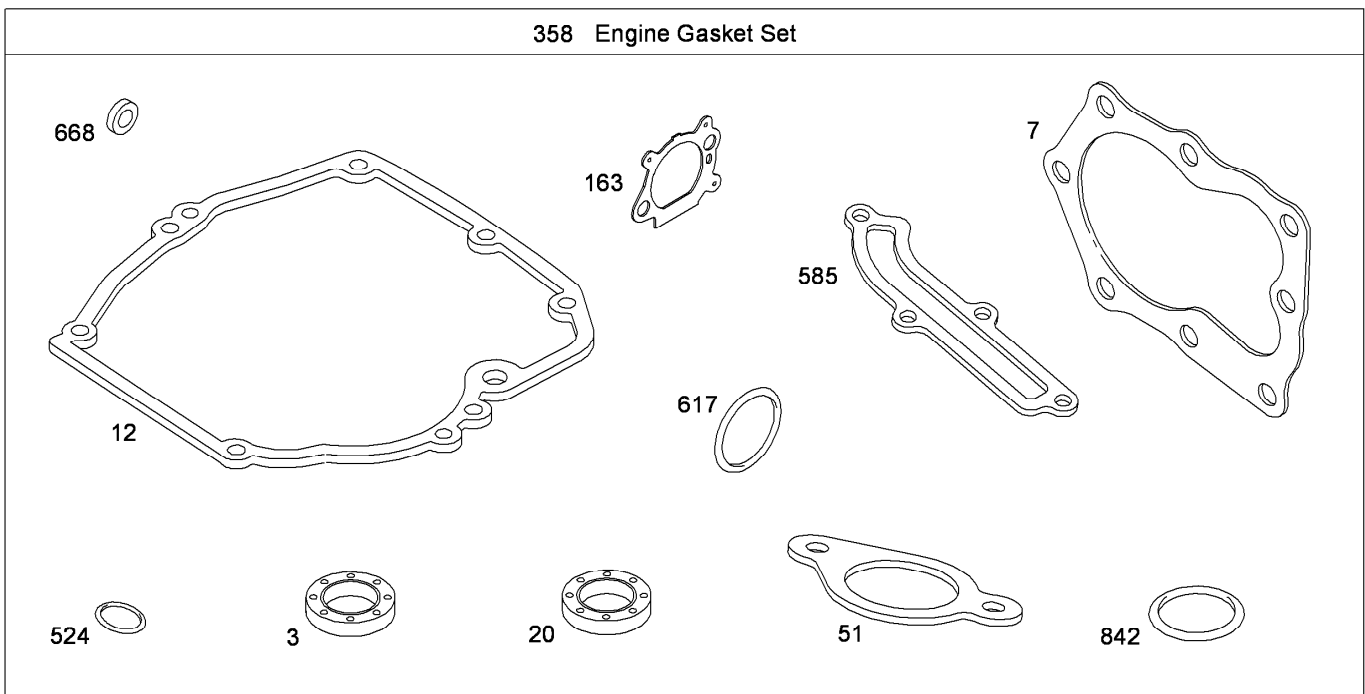
Assemblies include all parts shown in frames

Starter Assembly Briggs and Stratton 126T02-0224-B1

<i>Ref.</i>	<i>Part Number</i>	<i>Qty.</i>	<i>Description</i>
55	691421	1	Housing-Starter, Rewind ●
58	697316	1	Rope-Starter (Cut To Required Length) ●
60	281434s	1	Grip-Rope, Starter ●
65	690837	1	Screw (Rewind Starter) ●
456	692299	1	Plate-Friction, Pawl ●
459	281505s	1	Ratchet-Pawl ●
592	690800	1	Nut (Rewind Starter) ●
597	691696	1	Screw (Pawl Friction Plate) ●
608	497680	1	Starter-Rewind ●
689	691855	1	Spring-Friction ●
1210	498144	1	Pulley And Spring ASM (Pulley) ●
1211	498144	1	Pulley And Spring ASM (Spring) ●

● Obtain parts from www.briggsandstratton.com

358 Engine Gasket Set



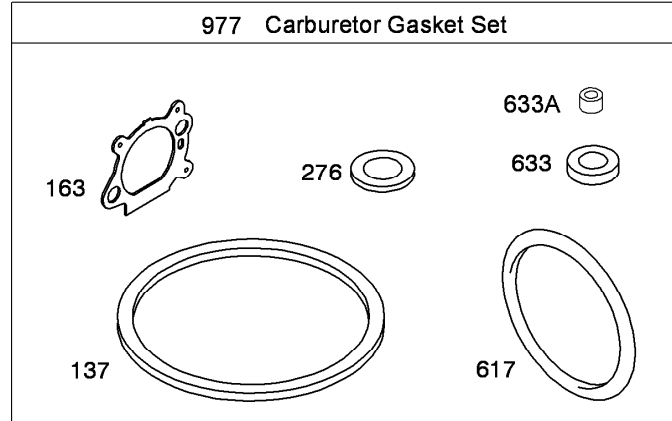
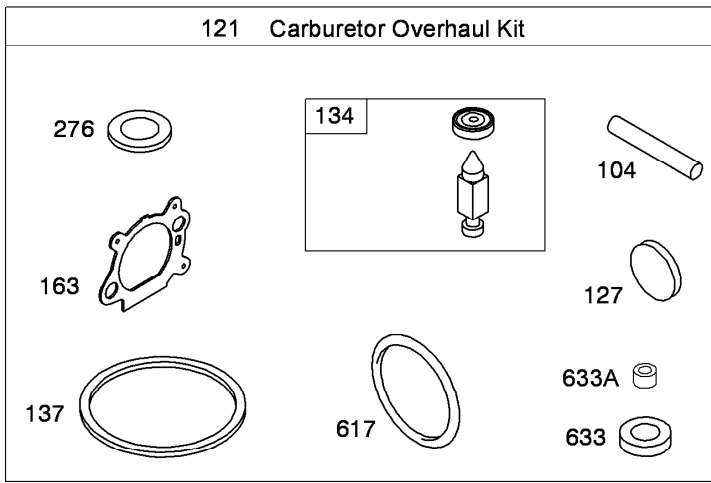
Assemblies include all parts shown in frames

Engine Gasket Set Briggs and Stratton 126T02-0224-B1

Ref.	Part Number	Qty.	Description
3	299819s	1	Seal-Oil (Magneto Side) ●■
7	692249	1	Gasket-Head, Cylinder ●■
12	692232	1	Gasket-Crankcase (.015 Std) ●■
20	399781s	1	Seal-Oil (PTO Side) ●■
51	794306	1	Gasket-Intake ●■
163	272653s	1	Gasket-Cleaner, Air ●◆■▲
358	794307	1	Engine Gasket Set ●
524	692296	1	Seal-O Ring (Dipstick Tube) ●■
585	691879	1	Gasket-Passage, Breather ●■
617	270344s	1	Seal-O Ring (Intake Manifold) ●◆■▲
668	493823	1	Spacer ●■
842	691031	1	Seal-O Ring (Dipstick) ■●

● Obtain parts from www.briggsandstratton.com
▲ Included in Carburetor Gasket Set (Ref. No. 977)

■ Included in Engine Gasket Set (Ref. No. 358)
◆ Included in Carburetor Overhaul Kit (Ref. No. 121)



Assemblies include all parts shown in frames

Carburetor Overhaul Kit Briggs and Stratton 126T02-0224-B1

Ref.	Part Number	Qty.	Description
104	691242	1	Pin-Hinge, Float ●◆
121	498260	1	Carburetor Overhaul Kit ●
127	694468	1	Plug-Welch ●◆
134	398188	1	Needle And Seat Kit ●◆
137	693981	1	Gasket-Bowl, Float ●◆▲
163	272653s	1	Gasket-Cleaner, Air ▲●◆■
276	271716	1	Washer-Sealing ●◆▲
617	270344s	1	Seal-O Ring (Intake Manifold) ▲●◆■
633	691321	1	Seal-Shaft, Choke Throttle ●◆▲
633A	693867	1	Seal-Shaft, Choke Throttle ●◆▲
977	498261	1	Carburetor Gasket Set ●

● Obtain parts from www.briggsandstratton.com
▲ Included in Carburetor Gasket Set (Ref. No. 977)

■ Included in Engine Gasket Set (Ref. No. 358)
◆ Included in Carburetor Overhaul Kit (Ref. No. 121)

Attachments and Accessories

For 20090 Super Recycler Lawn Mower

Product Name	Model/Part
Bagging Blade	108-3759-03
Traction Assist Handle Kit.....	108-8120
Cover-Lawnmower	490-7462
Plain Walk Mower Cover.....	490-7463
Bagger Kit.....	59165

Notes:

Notes:



Count on it.