



Grammer Seat with Air Ride Suspension Kit

Groundsmaster® 360 Multi-Purpose Machine or 7200 Traction Unit

Model No. 30511

Installation Instructions

Installation

Removing the Existing Seat

1. Park the machine on a level surface, lower the deck, engage the parking brake, and turn the engine off. Remove the key from the ignition switch.
2. Disconnect the negative battery cable from the battery.
3. Release and raise the seat. Make sure the seat latch is engaged.
4. Disconnect the seat switch wire from the traction unit harness (Figure 1).

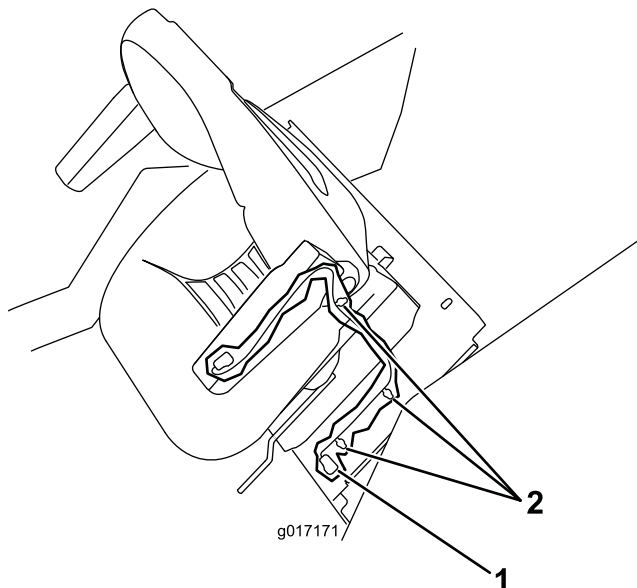


Figure 1

1. Seat switch wire connector
2. Wire harness clips

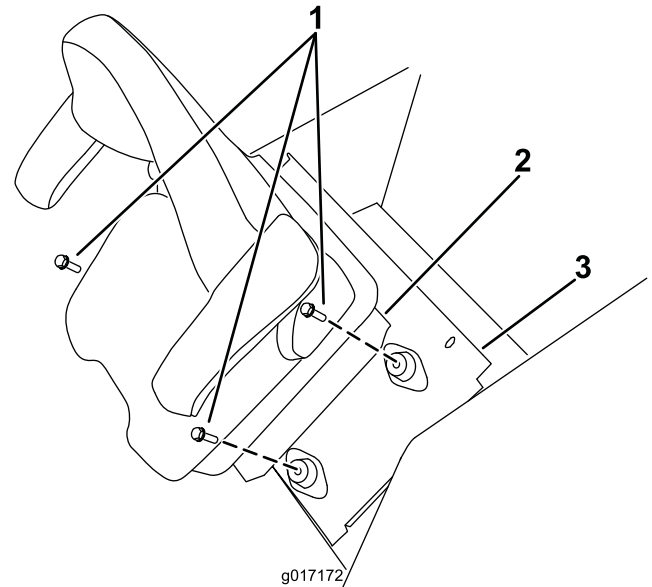


Figure 2

1. Seat base fasteners
2. Seat base
3. Seat plate

7. Remove the fasteners securing the seat to the seat base (Figure 3). Remove the seat.

5. Remove any harness clips or cable ties securing the seat wire harness to the seat plate (Figure 1).
6. Remove the fasteners securing the seat base to the seat mounts and seat plate. Lift the seat and seat base off the machine (Figure 2).

5. Route the harness up through the hole in the seat base and insert the remaining harness clip into the hole in the seat base (Figure 6).

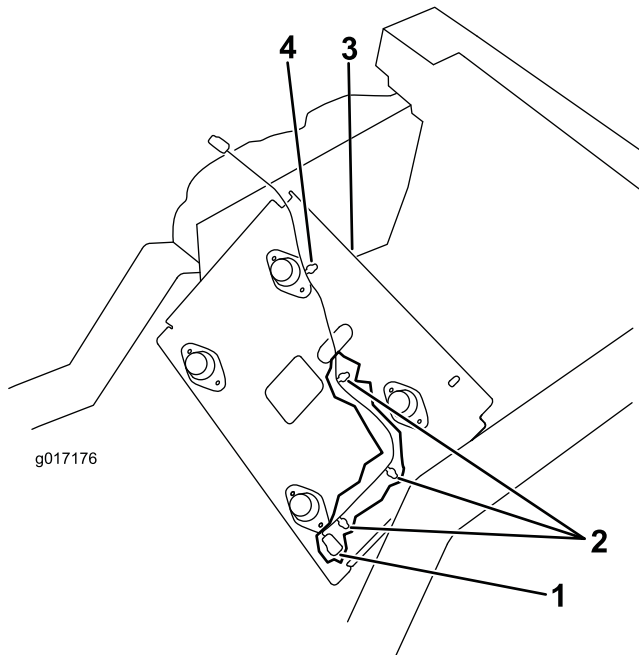


Figure 6

- | | |
|--------------------------------|------------------------------|
| 1. Wire harness connector | 3. Harness clip in seat base |
| 2. Harness clips in seat plate | 4. Seat base |

6. Secure the seat base to the seat mounts and seat plate with the fasteners previously removed (Figure 7).

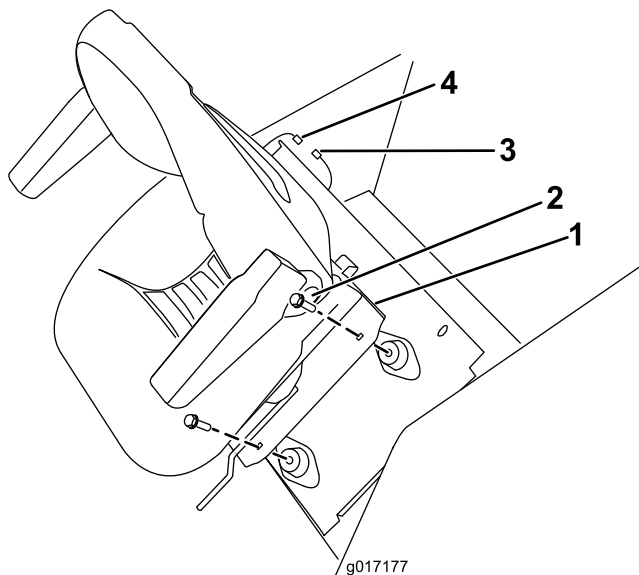


Figure 7

- | | |
|-----------------------|------------------------|
| 1. Seat base | 3. Wire harness |
| 2. Mounting fasteners | 4. Seat wire connector |

7. Connect the wire harness to the seat wire connector (Figure 7).

8. Disengage the seat latch and lower the seat.
9. Connect the negative battery cable to the battery.

Installing the Seat on a Groundsmaster 7200

Important: The Groundsmaster 7200 must be equipped with the Auxiliary Power Unit, Model 30382 to operate the seat kit.

Note: Move the seat slides fore and aft to access the mounting holes for the fasteners.

1. Mount the rear of each seat slide to the seat plate with a bolt and flange nut (Figure 8).

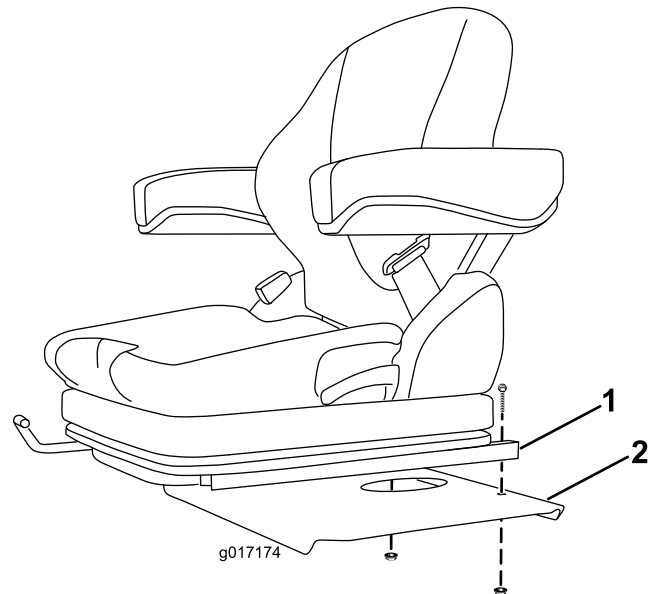


Figure 8

- | | |
|-----------------------|---------------|
| 1. Rear of seat slide | 2. Seat plate |
|-----------------------|---------------|

2. Mount the front of each seat slide to the seat plate with a bolt and flange nut (Figure 9).

Operation

Positioning the Seat

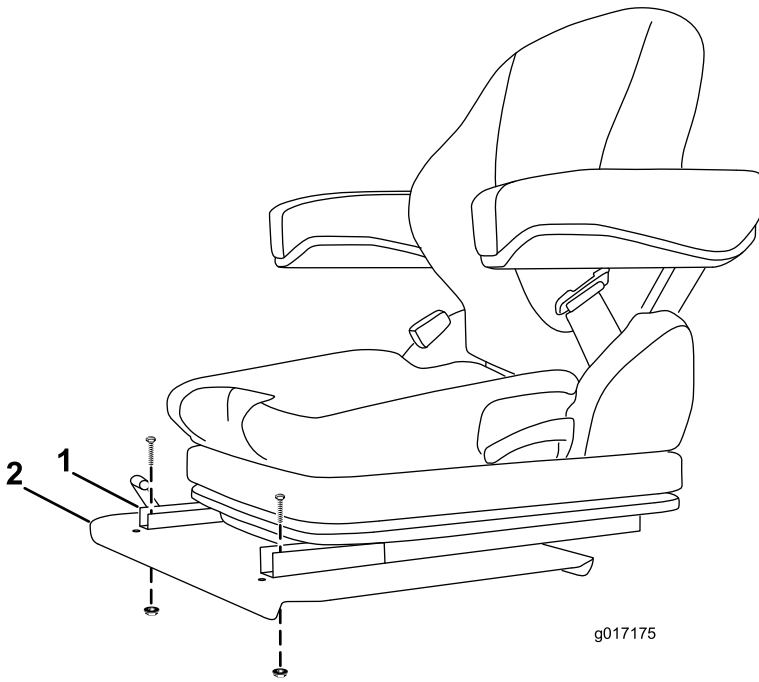


Figure 9

1. Front of seat slide 2. Seat plate

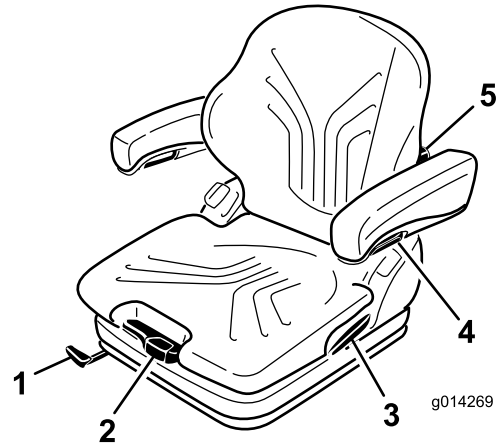


Figure 11

1. Fore/Aft adjustment lever 4. Armrest adjustment knob
2. Weight adjustment lever 5. Lumbar support adjusting knob
3. Backrest locking lever

3. Connect the new wire harness as follows:
- Plug the harness connector labeled **Seat** into the harness connector from the seat (Figure 10).
 - Plug the harness connector labeled **Seat Switch** into the traction unit harness (Figure 10).
 - Plug the harness connector labeled **Seat Power** (spade terminal) into an open terminal on the auxiliary power unit fuse block (Figure 10). Install the 10 amp fuse into the corresponding slot in the fuse block.
 - Attach the harness connector labeled **Ground Block** (ring terminal) to the auxiliary power unit ground block (Figure 10).

Important: Make sure the wire harness is secured away from any pinch points, hot, moving or sharp objects



Figure 10

1. Connect to seat 3. Connect to fuse block
2. Connect to wire harness 4. Connect to ground block (ring terminal)

Changing the Weight Adjustment

The seat can be adjusted to provide a smooth and comfortable ride.

Important: To adjust the seat for the driver's weight the driver must be seated and the ignition key moved to the On position.

The seat is adjusted for the driver's weight by pulling or pressing the weight adjustment lever (Figure 11).

The driver's weight is adjusted correctly when the arrow is in the middle clear area of the viewing window.

Within this viewing area, the seat can be adjusted to a minimum spring movement.

When the minimum/maximum weight adjustment has been reached, you can hear it reaching the upper or lower end stop.

Important: To prevent injury to the operator and/or damage to the machine, the setting for the driver's weight and the seat must be checked and adjusted before the machine is operated.

Note: To avoid compressor damage during weight adjustment, the compressor must be operated no longer than 1 minute.

4. Disengage the seat latch and lower the seat.
5. Connect the negative battery cable to the battery.

Changing the Seat Position

The seat can move forward and backward. Position the seat where you have the best control of the machine and are most comfortable.

1. To adjust, lift the lever to unlock the seat (Figure 11).
2. Slide the seat to the desired position and release lever to lock in position.
3. Verify that the seat has locked into place by attempting to move it back and forth.

Note: Do not operate the locking lever while operating the machine.

Changing the Lumbar Support

The lumbar support increases both the seating comfort and the performance of the driver.

The back of the seat can be adjusted to provide a customized lumbar support for your lower back.

By turning the adjustment knob upwards, the curvature in the upper part of the backrest cushion can be adjusted. By turning the knob downwards, the curvature in the lower part of the backrest cushion can be adjusted (Figure 11).

0 = No curvature

1 = Maximum curvature at the top

2 = Maximum curvature at the bottom

Adjusting the Armrests

The armrests can be folded back if required and the height individually adjusted.

To adjust the armrests for height, separate the round cap (Figure 11) from the cover, loosen the hexagon nut (13 mm) behind it and adjust the armrests to the desired position and tighten the nut. Replace the cap onto the nut.

⚠ WARNING

Do not install the armrest in the lowest position as the seat belt roller might not function properly.

Changing the Armrest Angle

The angle of the armrests can be adjusted for operator comfort.

To adjust the angle of the armrests, turn the adjustment knob (Figure 11).

When turning the knob to the outside (+) the front part of the armrest will be lifted, when turning the knob to inside (-) it will be lowered.

Changing the Backrest Position

The back of the seat can be adjusted to provide a more comfortable ride. Position the back of the seat where it is most comfortable.

Pull up the locking lever to release the backrest catch (Figure 11). When releasing the backrest catch, do not apply load to the backrest by pressing against it.

By exerting pressure on or off the front or rear of the seat it can be moved to the desired position. Release the locking lever to lock the backrest.

Note: The backrest should not be able to move into another position after it has been locked.

Notes:

Notes:



Count on it.