



97cm Recycler® Kit
XLS Series™ Lawn Tractor
 Model No. 79175

Installation Instructions

Loose Parts

Use the chart below to verify that all parts have been shipped.

Procedure	Description	Qty.	Use
1	Rear baffle	1	Install the baffles.
	Bolt (1/4 x 3/4 inches)	2	
	Lock nut (1/4 inch)	2	
	Front baffle	1	
	Bolt (3/8 x 7/8 inches)	2	
	Lock nut (3/8 inch)	2	
	Carriage bolt (5/16 x 3/4 inch)	1	
	Lock nut (5/16 inch)	1	
2	Kicker plate	4	Install the kicker plates.
	Screw #8 x 5/8 inches	8	
3	Bolt (1/4 x 2-3/4 inches)	2	Install the discharge cover.
	Lock nut (1/4 inch)	2	
	Discharge cover	1	
4	Recycler® Mower decal	1	Install the decal.

1

Installing the Baffles

Parts needed for this procedure:

1	Rear baffle
2	Bolt (1/4 x 3/4 inches)
2	Lock nut (1/4 inch)
1	Front baffle
2	Bolt (3/8 x 7/8 inches)
2	Lock nut (3/8 inch)
1	Carriage bolt (5/16 x 3/4 inch)
1	Lock nut (5/16 inch)

Procedure

⚠ WARNING

The blades are sharp; contacting a blade can result in serious personal injury.

Use care when installing the baffles. Place a suitable covering over the blades to prevent injury.

Important: The nuts must be installed on the outside of the mower deck.

1. Stop the engine, remove the ignition key and pull the spark plug wire.
2. Remove the mower from the tractor as outlined in the tractor *Operator's Manual*.
3. Turn the mower upside down.
4. Center the rear baffle as shown in Figure 1. Install the rear baffle to the mower deck with 2 bolts (1/4 x 3/4 inches) and 2 lock nuts (1/4 inch).

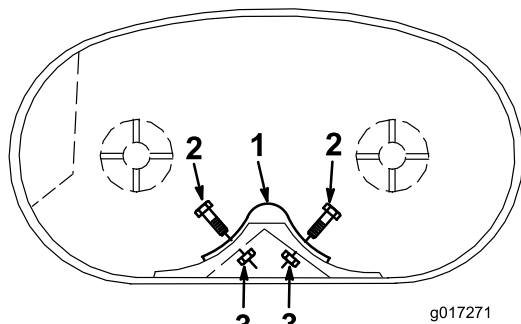


Figure 1

1. Rear baffle
2. Bolts (1/4 x 3/4 inches)
3. Lock nuts (1/4 inch)

5. Position the front baffle on the mower deck and align the holes. Secure the front baffle using 2 bolts (3/8 x 7/8 inches) and 2 lock nuts (3/8 inch).
6. Secure the side of front baffle with a carriage bolt (5/16 x 3/4 inch) and a lock nut (5/16 inch) (Figure 2).

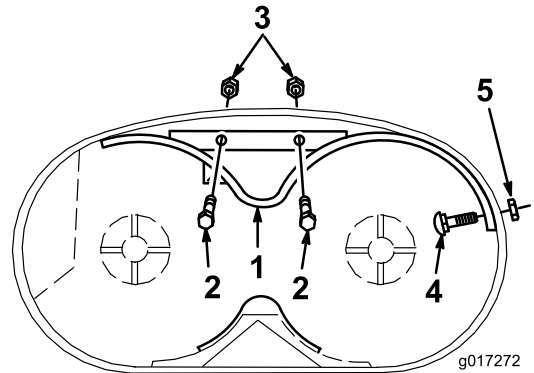


Figure 2

1. Front baffle
2. Bolt (3/8 x 7/8 inches)
3. Lock nut (3/8 inch)
4. Carriage bolt (5/16 x 3/4 inch)
5. Lock nut (5/16 inch)

2

Installing the Kicker Plates

Parts needed for this procedure:

4	Kicker plate
8	Screw #8 x 5/8 inches

Procedure

Install the 4 kicker plates with the holes toward the top of the mower deck using 8 screws (#8 x 5/8 inches) (Figure 3). The screws are installed from the top of mower deck. The long slope on kickers must be positioned in a clockwise direction as viewed in Figure 3.

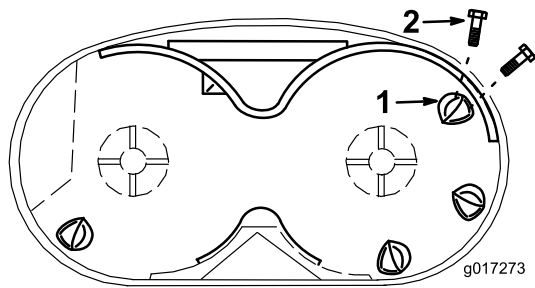


Figure 3

1. Kicker plate 2. Screws (#8 x 5/8 inches)

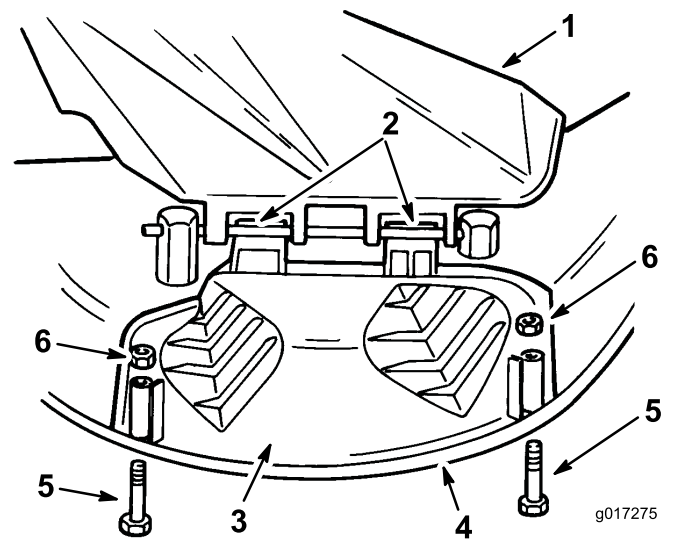


Figure 4

1. Grass deflector 4. Lower lip
 2. Tabs under rod 5. Bolt (1/4 x 2-3/4 inches)
 3. Discharge cover 6. Nut (1/4 inch)

3. To convert back to a side discharge mower, remove the discharge cover and lower the grass deflector over the discharge opening.
4. Install the mower as outlined in the tractor *Operator's Manual*.

3

Installing the Discharge Cover

Parts needed for this procedure:

2	Bolt (1/4 x 2-3/4 inches)
2	Lock nut (1/4 inch)
1	Discharge cover

Procedure

1. Lift the grass deflector and slide the tabs on top of the discharge cover under the grass deflector retaining rod. Rotate the discharge cover down over the opening, and onto the lower lip of the mower (Figure 4).
2. Secure the discharge cover to the lower lip of the mower with 2 bolts (1/4 x 2-3/4 inches) and 2 nuts (1/4 inch) (Figure 4).

4

Installing the Decal

Parts needed for this procedure:

1	Recycler® Mower decal
---	-----------------------

Procedure

Install the Recycler® Mower decal on the left side of the mower (Figure 5).

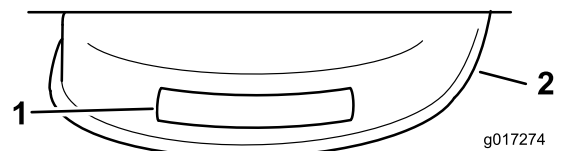


Figure 5

1. Decal 2. Left side of the mower

Operation

Converting to Side-discharge Operation

⚠ DANGER

Without the grass deflector, discharge cover, or complete grass catcher assembly mounted in place, you and others are exposed to blade contact and thrown debris. Contact with rotating mower blade(s) and thrown debris will cause injury or death.

- Never remove the grass deflector from the mower because the grass deflector routes material down toward the turf. If the grass deflector is ever damaged, replace it immediately.
- Never put your hands or feet under the mower.
- Never try to clear the discharge area or mower blades unless you move the power take off (PTO) to disengage and turn the ignition key to off. Also remove the key and pull the wire off the spark plug(s).

Note: To use the mower in side discharge mode, only the discharge cover must be removed. Mounting hardware must be installed in open holes.

1. Stop the engine and remove the ignition key.
2. Remove the 2 bolts and nuts that secure the discharge cover to the mower.
3. Remove the discharge cover.
4. If the mower originally had a cutoff baffle, install it now.
5. Lower the grass deflector over the discharge opening.

Important: Ensure the mower has a hinged grass deflector that disperses clippings to the side and down toward the turf, while in side discharge mode.

To mulch grass clippings, install the discharge cover into the opening in the side of the mower; refer to Installing the Discharge Cover.

Operating Tips

Selecting the Proper Height-of-Cut Setting to Suit the Conditions

Remove approximately one inch or no more than 1/3 of the grass blade when cutting. In exceptionally lush

and dense grass you may have to raise the height-of-cut setting another notch or convert to side discharge or bagging operations.

Mowing in Extreme Conditions

Air is required to cut and recut grass clippings in the mower housing, so do not set the height-of-cut too low or totally surround the housing by uncut grass. Always have one side of the mower housing free from uncut grass, allowing air to be drawn into housing. When making an initial cut through the center of the uncut area, operate the machine at a slower speed and back up if the mower starts to clog.

Mowing at the Proper Intervals

Under normal conditions you'll need to mow every 4-5 days. However, grass grows at different rates at different times. Thus, in order to maintain the same height-of-cut, which is a good practice, you'll need to cut more frequently in early spring; as the grass growth rate slows in mid summer, cut only every 8-10 days. If you are unable to mow for an extended period due to the weather conditions or other reasons, convert to side discharge or bagging options or mow first with the height-of-cut at a high level; then mow again 2-3 days later with a lower height setting.

Always Mow with Sharp Blades

A sharp blade cuts cleanly and without tearing or shredding the grass blade like a dull blade. Tearing and shredding causes the grass to turn brown at the edges which impairs growth and increases susceptibility to disease.

Cleaning After Operating

To ensure optimum performance, clean the underside of the mower housing. If residue is allowed to build up in mower housing, cutting performance will decrease.