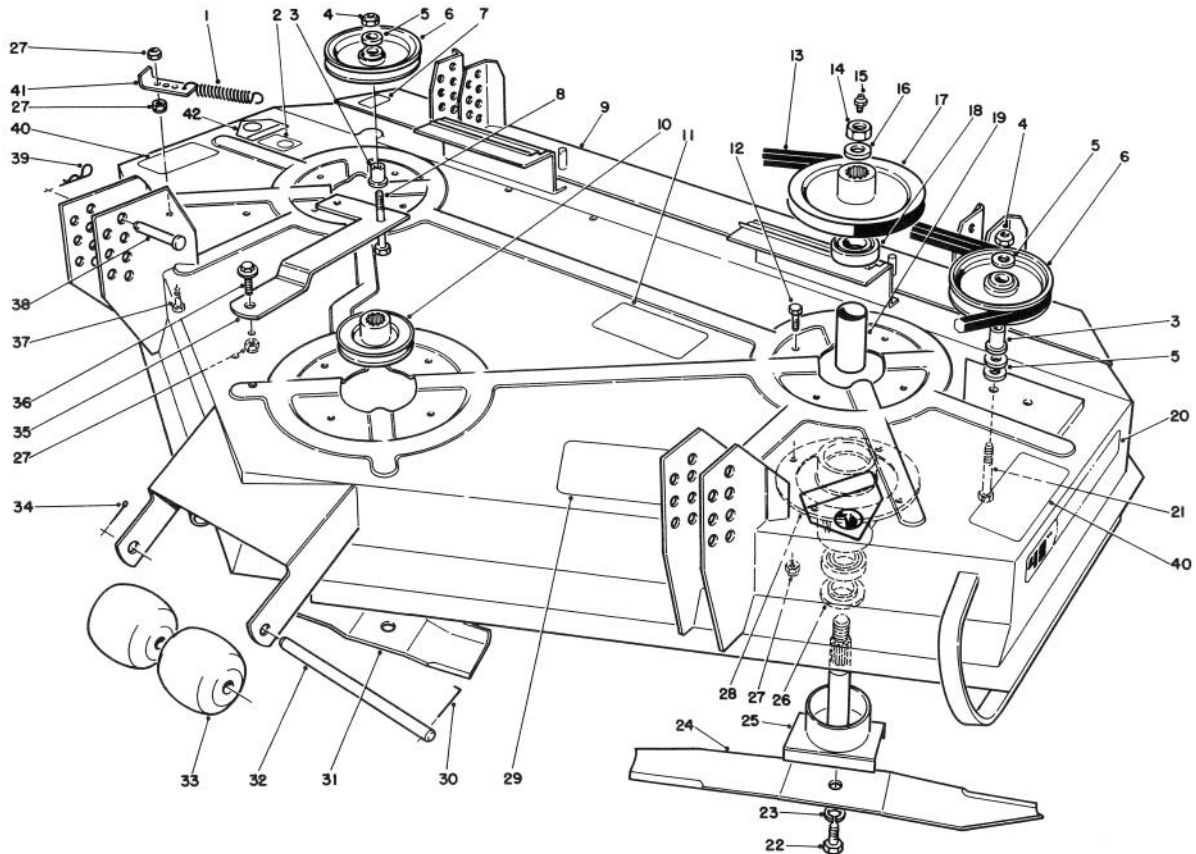


TORO[®]

MODEL NO. 30747-00001 & UP

**PARTS
CATALOG****48" REAR DISCHARGE DECK
PROLINE 118**

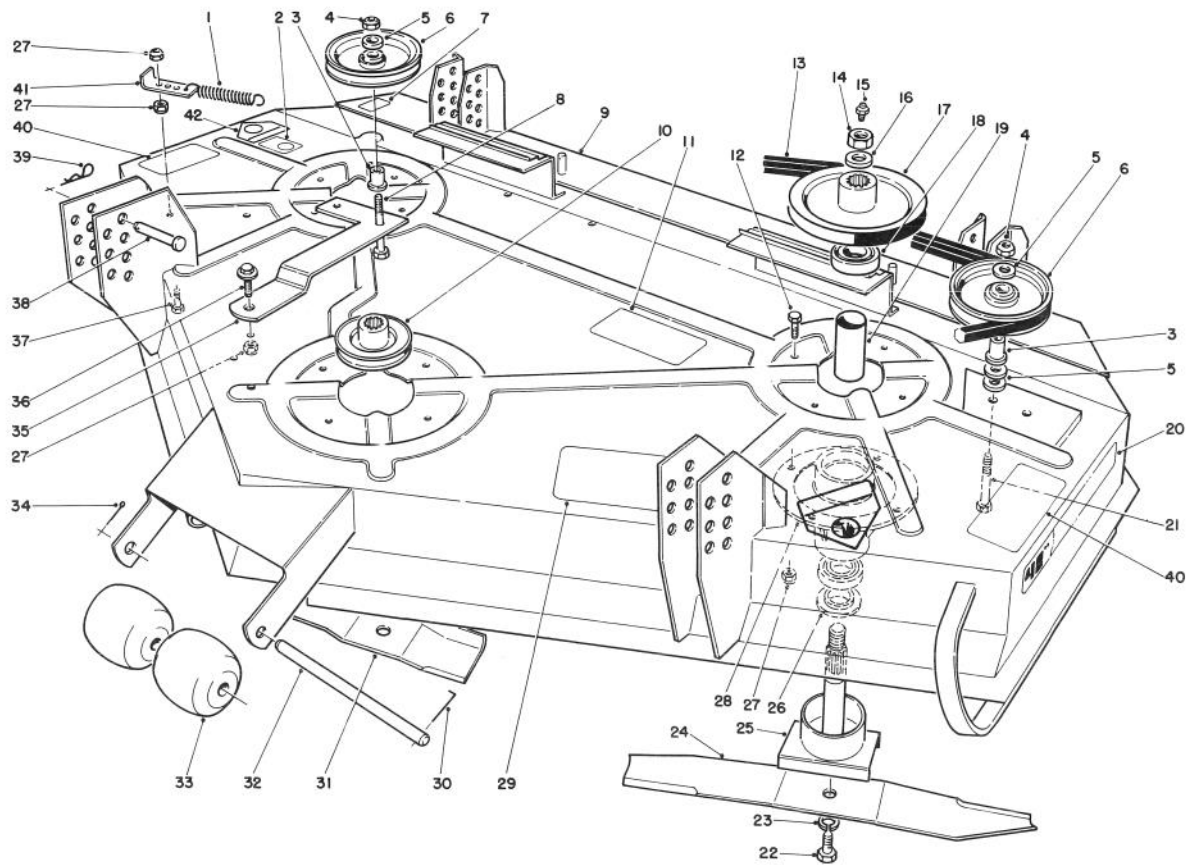
T-0989-90

CUTTING DECK

Ref. No.	Part No.	Description	No. Used
1	54-1160	Spring — Extension	1
2	61-5950	Decal — No Step	2
3	65-5950	Bushing	2
4	3296-44	Nut — Lock	2
5	7-0081	Washer — Special	4
6	65-5940	Pulley — Idler	2
7	63-9920	Decal — Noise	1
8	323-9	Screw — Cap, Hex Hd.	5
9	72-8140	Deck W.A.	1
10	72-8200	Pulley — Center	1
11	72-7750	Decal — Belt Routing	1
12	322-4	Screw — Cap, Hex Hd.	12
13	57-0240	V-Belt	1
14	32146-20	Nut — Lock	3

Ref. No.	Part No.	Description	No. Used
15	302-2	Fitting — Grease	3
16	7-4150	Washer — Pinion	3
17	72-8190	Pulley — Outside	2
18	251-257	Bearing — Ball	6
19	67-7580	Spacer — Bearing	3
20	72-7640	Decal — 48"	2
21	323-12	Screw — Cap, Hex Hd.	1
22	51-4060	Bolt — Blade	3
23	3253-8	Washer — Lock	3
24	72-7730	Blade — L.H.	1
*	72-7740	Blade — R.H.	1
25	71-2780	Spindle — Shaft W.A.	3
26	67-7570	Spacer — Spindle	3
27	3296-29	Nut — Lock	15

* Not Illustrated

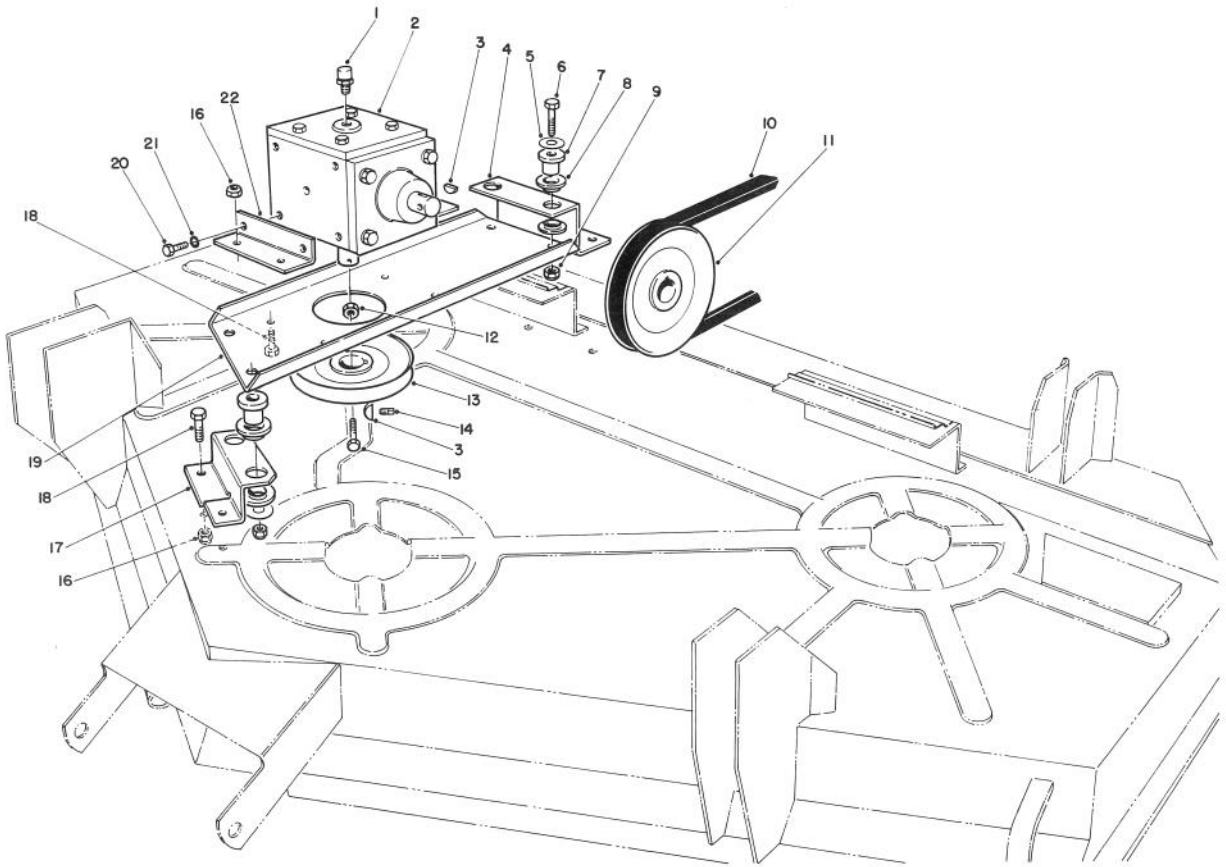


T-0989-90

CUTTING DECK (Continued)

Ref. No.	Part No.	Description	No. Used
28	67-7590	Housing — Spindle	3
29	68-8340	Decal — Caution	1
30	57-0690	Pin — Cotter, Special	1
31	72-7690	Blade — Center	1
32	40-6400	Shaft — Roller	1
33	29-4820	Roller	2
34	3272-11	Pin — Cotter	1
35	72-7610	Lever — Idler	1

Ref. No.	Part No.	Description	No. Used
36	19-1470	Bolt — Shoulder	1
37	322-5	Screw — Cap, Hex Hd.	1
38	283-55	Pin — Clevis	4
39	3290-355	Pin — Hair	4
40	72-7890	Decal — Danger	2
41	72-7590	Anchor — Deck Spring	1
42	43-8480	Decal — Danger	2



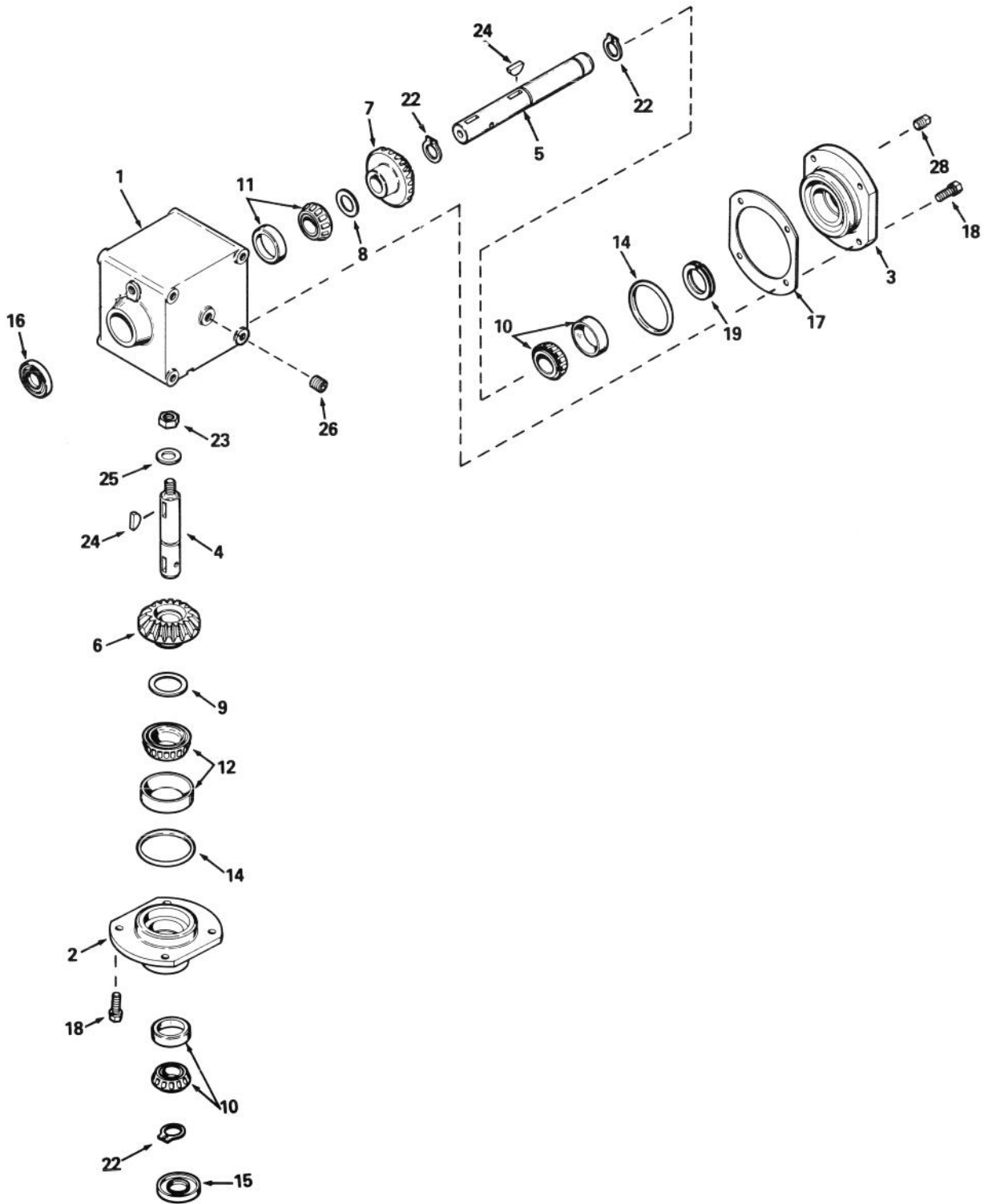
T-0990-90

GEAR BOX & MOUNT ASSEMBLY

Ref. No.	Part No.	Description	No. Used
1	302-34	Cap — Vent	1
2	53-4600	Gear Box	1
3	3257-14	Key — Woodruff	2
4	72-8270	Bracket — Plate	1
5	63-8410	Washer — Flat	4
6	323-8	Screw — Cap, Hex Hd.	4
7	63-9750	Mount	4
8	72-7700	Insert — ISO Mount	8
9	3296-39	Nut — Lock	4
10	72-8170	V-Belt, Deck Drive	1
11	72-8220	Pulley — Input	1

Ref. No.	Part No.	Description	No. Used
12	3296-16	Nut — Lock	2
13	72-8180	Pulley — Output	1
14	3241-1	Screw — Set	2
15	321-16	Screw — Cap, Hex Hd.	2
16	3296-29	Nut — Lock	8
17	72-8280	Bracket — Plate	1
18	322-4	Screw — Cap, Hex Hd.	8
19	72-8460	Plate — Gear Box	1
20	323-5	Screw — Cap, Hex Hd.	4
21	3253-21	Washer — Lock	4
22	72-8450	Angle — Gear Box	2

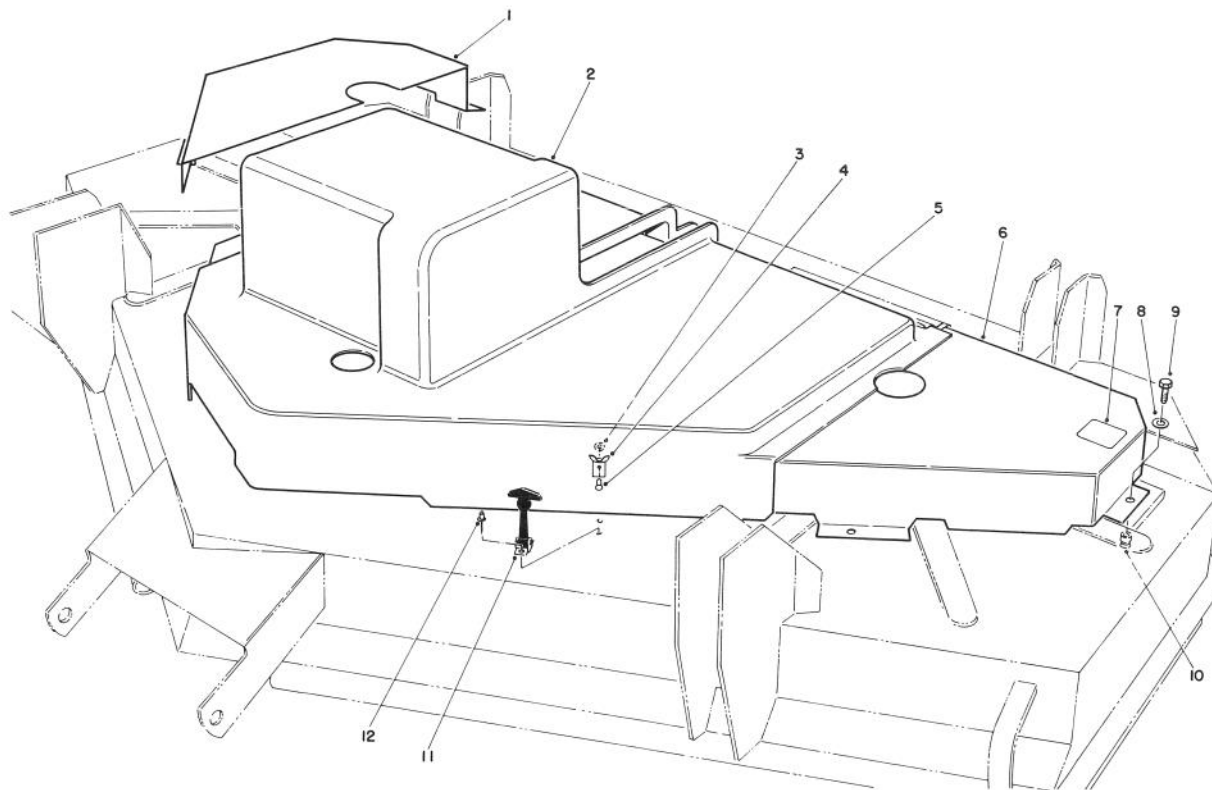
GEAR BOX ASSEMBLY MODEL NO. 1100-010



GEAR BOX ASSEMBLY MODEL NO. 1100-010

Ref. No.	Part No.	Description	No. Used
1	770076	Housing — Right Angle Drive	1
2	786104A	Cap — Retainer	1
3	786106	Cap — Retainer	1
4	776224	Shaft — Input	1
5	776223	Shaft — Output	1
6	778167	Gear — Bevel (25 teeth)	1
7	778171	Gear — Bevel (26 teeth)	1
8	780131	Shim (1-1/2" O.D. x 1-1/64" I.D. x .002 thick) (Use as required)	1
9	780138	Shim (2.000" O.D. x 1.531" I.D. x .002 thick) (Use as required)	1
10	780132	Bearing & Cup Assembly (This assembly may have a shim washer included. The shim washer is not required at this location.)	1
11	780132	Bearing & Cup Assembly (This is a factory sized assembly and may or may not include Ref. #8 shim washer. If Ref. #8 shim washer is supplied, it <i>must</i> be used in this location. All old shim washers <i>must</i> be discarded.)	1

Ref. No.	Part No.	Description	No. Used
12	780134	Bearing & Cup Assembly (This is a factory sized assembly and may or may not include Ref. #9 shim washer. If Ref. #9 shim washer is included, it <i>must</i> be used in this location. All old shim washers <i>must</i> be discarded.)	1
14	788063	"O" Ring	1
15	788064	Seal — Oil	1
16	788065	Seal — Oil	1
17	780136	Shim — Cap Retainer	1
18	792037	Screw — Hex Hd.	1
19	780137	Ring — Load	1
22	792113	Ring — Retaining	1
23	792110	Jam Nut	1
24	792114	Key — Woodruff	1
25	792115	Washer — Flat	1
26	792116	Plug — Pipe	1
28	28534	Plug — Pipe Sq. Hd.	1

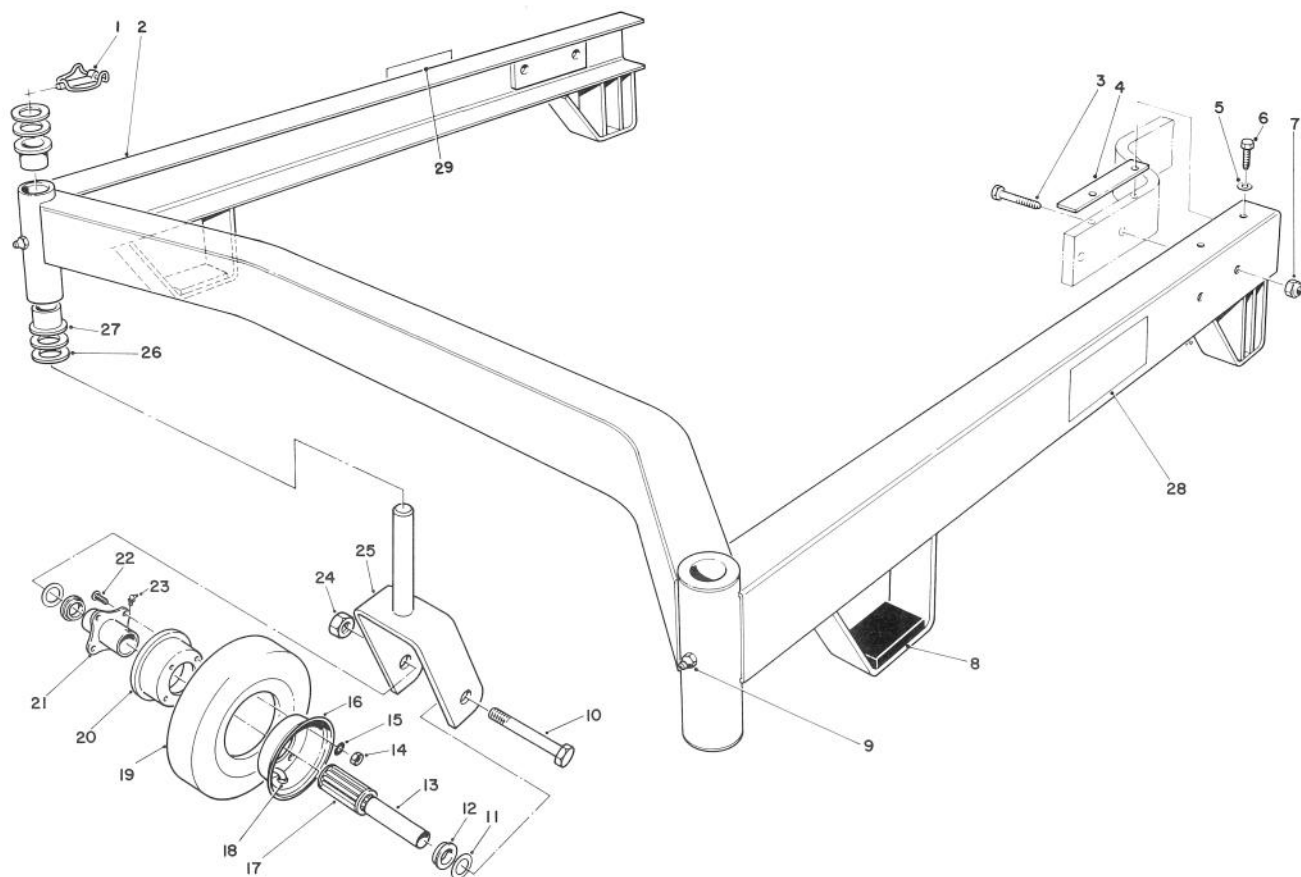


T-0991-90

CUTTING UNIT DECK COVERS

Ref. No.	Part No.	Description	No. Used
1	72-7780	Cover — R.H.	1
2	72-7810	Cover — Center	1
3	3256-13	Washer — Flat	2
4	72-7870	Keeper	2
5	3290-426	Rivet — Dome	2
6	72-7790	Cover — L.H.	1

Ref. No.	Part No.	Description	No. Used
7	61-5950	Decal — No Step	1
8	3256-1	Washer — Flat	6
9	3235-18	Screw — Cap, Hex Hd.	6
10	32117-2	Insert — Threaded	6
11	60-8670	Latch — Flexible	2
12	3290-271	Rivet — Pop	4



T-0087-90

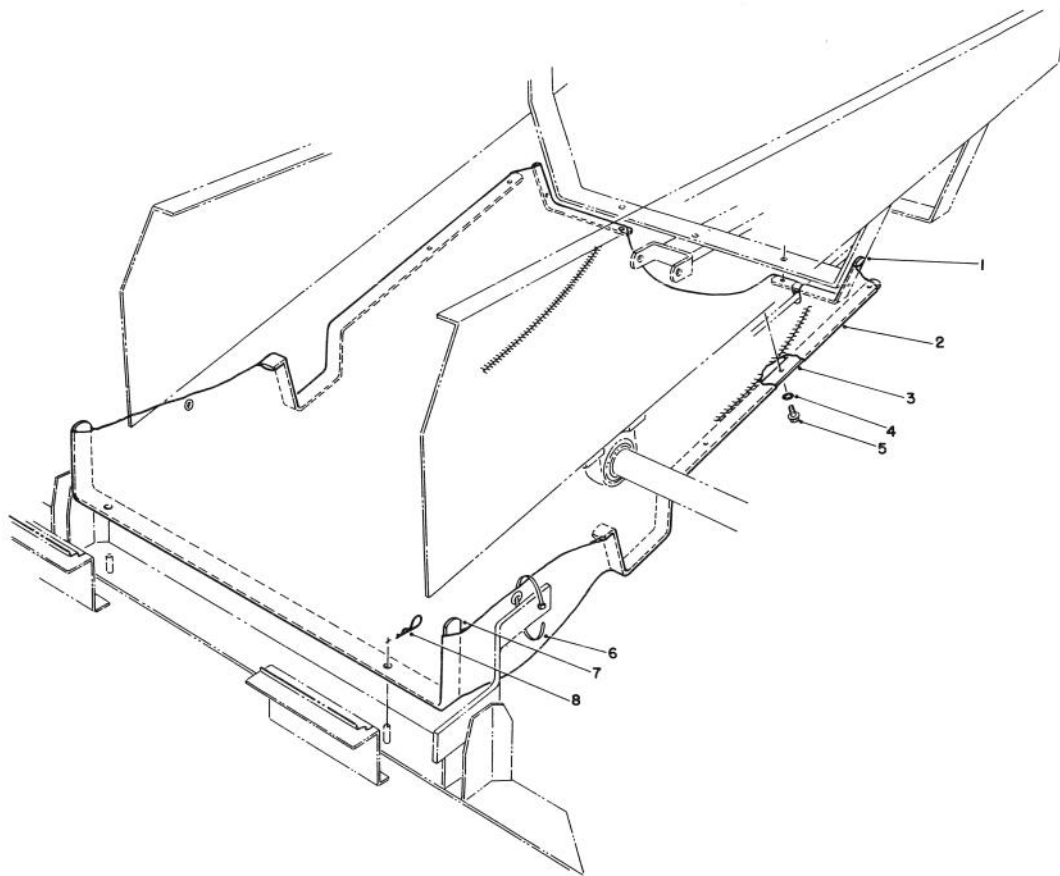
CARRIER FRAME ASSEMBLY

Ref. No.	Part No.	Description	No. Used
1	3290-384	Pin — Lynch	2
2	55-4630	Suspension Assembly (Incl. Ref. #9 & 27)	1
3	323-9	Screw — Cap Hex Head	4
4	62-6980	Shim — Carrier	2
5	3256-24	Washer — Flat	4
6	3235-21	Screw — Cap Hex Head	4
7	32152-2	Nut — Hex	4
8	54-2700	Cushion — Rubber	2
9	302-5	Fitting — Grease	2
10	328-9	Screw — Cap Hex Head	2
11	57-4250	Spacer — Wheel	4
12	54-8840	Retainer — Bearing	4
13	54-8860	Bushing — Spanner	2
14	3217-6	Nut — Hex	8
15	3253-4	Washer — Lock	8
16	54-8900	Wheel Half — Male	2
17	54-8850	Bearing — Roller	2

Ref. No.	Part No.	Description	No. Used
18	54-8880	Tube w/Valve	2
19	54-8870	Tire	2
20	54-8910	Wheel Half — Female	2
21	54-8830	Hub — Centered	2
22	54-8890	Bolt — Wheel	8
23	302-61	Fitting — Grease	2
24	32153-6	Nut — Lock	2
25	40-0370	Fork — Caster	2
26	3-6781	Washer — Thrust	8
27	28-9290	Bushing	4
28	68-8360	Decal — Height Of Cut	1
29	74-0940	Decal — Height Of Cut	1
*	54-8820	Castor Wheel Complete (set of 2) (Incl. Ref. #11-22)	2
*	24-5790	Rear Weight (Optional)	1
*†	325-6	Capscrew	2
*†	3253-7	Washer — Lock	2

* Not Illustrated

† Required for mounting 24-5790 Rear Weight



T-1034-90

SHIELD KIT

Ref. No.	Part No.	Description	No. Used
1	72-8340	Bracket — Shield	2
2	72-7710	Shield	1
3	72-8290	Support — Side	2
4	3254-8	Washer — Lock, Int. Tooth	9

Ref. No.	Part No.	Description	No. Used
5	32144-10	Screw — Washer Face, Self-Tapping	9
6	3290-379	Tie — Cable	2
7	72-7680	Support — Deck	1
8	3290-467	Pin — Cotter, Hair	2