



Hitch Kit

Z Master® 2000 Series Riding Mower

Model No. 120-3290

Installation Instructions

⚠ WARNING

CALIFORNIA Proposition 65 Warning

This product contains a chemical or chemicals known to the State of California to cause cancer, birth defects, or reproductive harm.

⚠ WARNING

Some of the machine components will be hot if the machine has been running. If you touch hot components, you may be burned.

Allow the machine to cool before performing maintenance or touching the components.

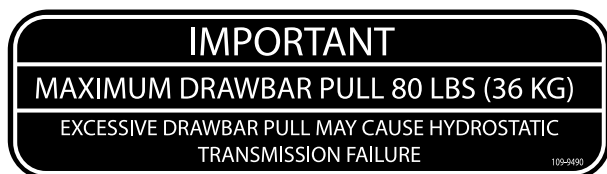
Safety

- Do not attach towed equipment except at the hitch point.
- The maximum drawbar pull is 36 kg (80 lbs).
- Never allow children or others in or on towed equipment.
- On slopes, the weight of the towed equipment may cause loss of traction and loss of control.
- Travel slowly and allow extra distance to stop.

Safety and Instructional Decals



Safety decals and instructions are easily visible to the operator and are located near any area of potential danger. Replace any decal that is damaged or lost.



109-9490

Installation

Installing the Hitch

Install the hitch to the rear frame with 2 bolts (3/8 x 1 inch) and 2 flange nuts (3/8 inch) (Figure 1).

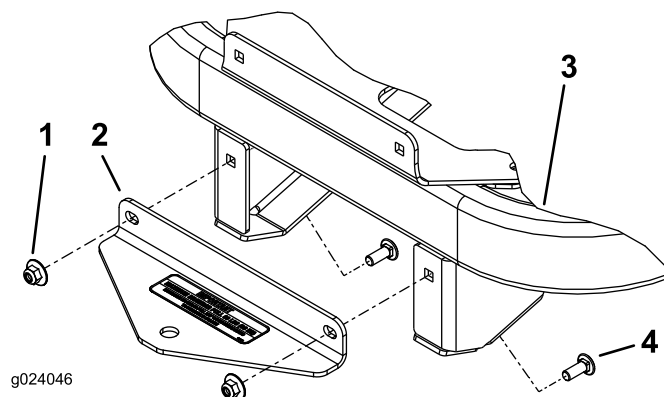


Figure 1

- | | |
|--------------------------|---------------------------------|
| 1. Flange nut (3/8 inch) | 3. Rear frame |
| 2. Hitch | 4. Carriage bolt (3/8 x 1 inch) |





Count on it.