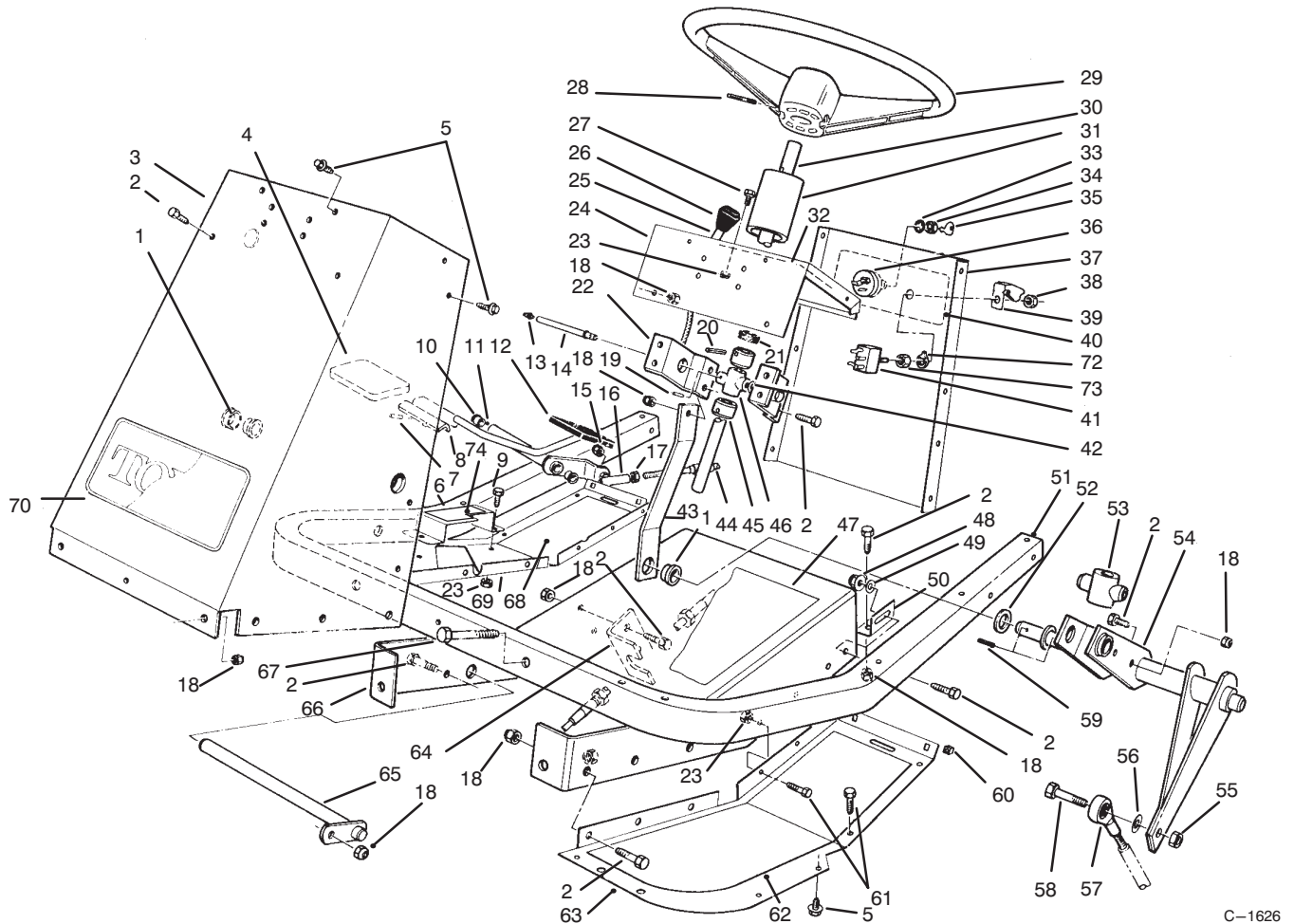




MODEL NO. 30612-790001 & UP

PARTS
CATALOG

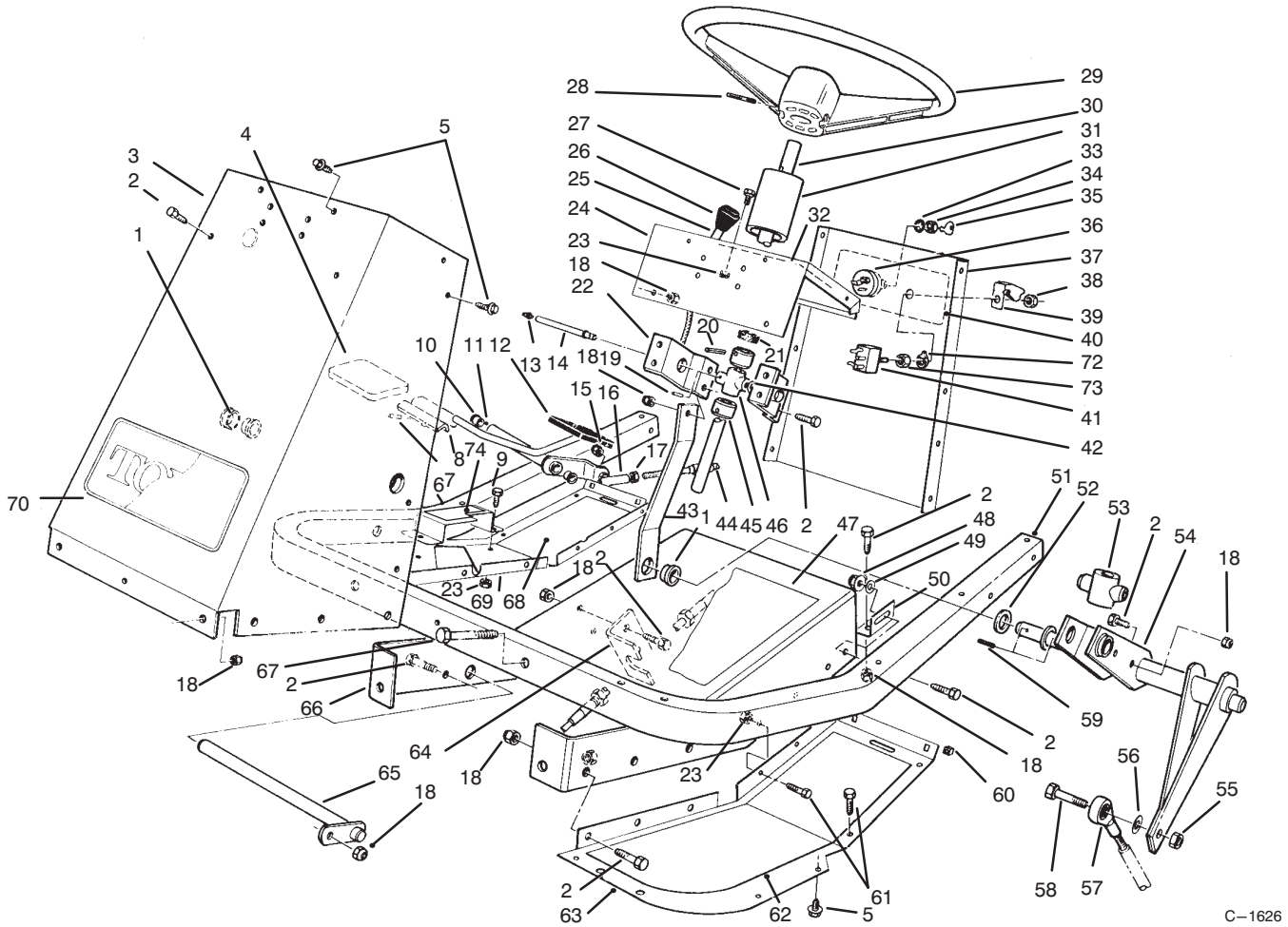
GROUNDMASTER 120



C-1626

FRAME & STEERING ASSEMBLY

Ref. No.	Part No.	Description	No. Used	Ref. No.	Part No.	Description	No. Used
1	27-9080	Bushing	3	15	3296-3	Nut - Hex.	1
2	322-4	Screw - Hex. Hd.	19	16	2411-34	Ball Joint	1
3	54-1900	Tower - Front	1	17	3220-1	Nut - Jam	1
4	49-6470	Pad - Accelerator	1	18	3296-29	Nut - Lock	24
5	46-8560	Screw - Hex. Hd.	26	19	32121-20	Pin - Roll	1
6	80-4930	Footrest - Pedal	1	20	32121-31	Pin - Roll	2
7	32121-51	Pin - Roll	1	21	21-9260	Cover - Dust	1
8	80-4920	Pedal - Accelerator	1	22	54-1950	Bracket - Support Bearing	2
9	321-3	Screw - Hex. Hd.	2	23	3296-42	Nut - Lock	16
10	256-156	Bushing	2	24	54-1000	Tower - Top	1
11	74-0110	Pedal - Traction (Incl. Ref. #10)	1	25	54-1451	Control - Throttle, Choke	2
12	49-6430	Pad - Reverse	1	26	66-0120	Knob	2
13	302-22	Fitting - Grease	1	27	321-2	Screw - Hex. Hd.	4
14	59-1610	Tube - Grease Fitting	1	28	32121-10	Pin - Roll	1

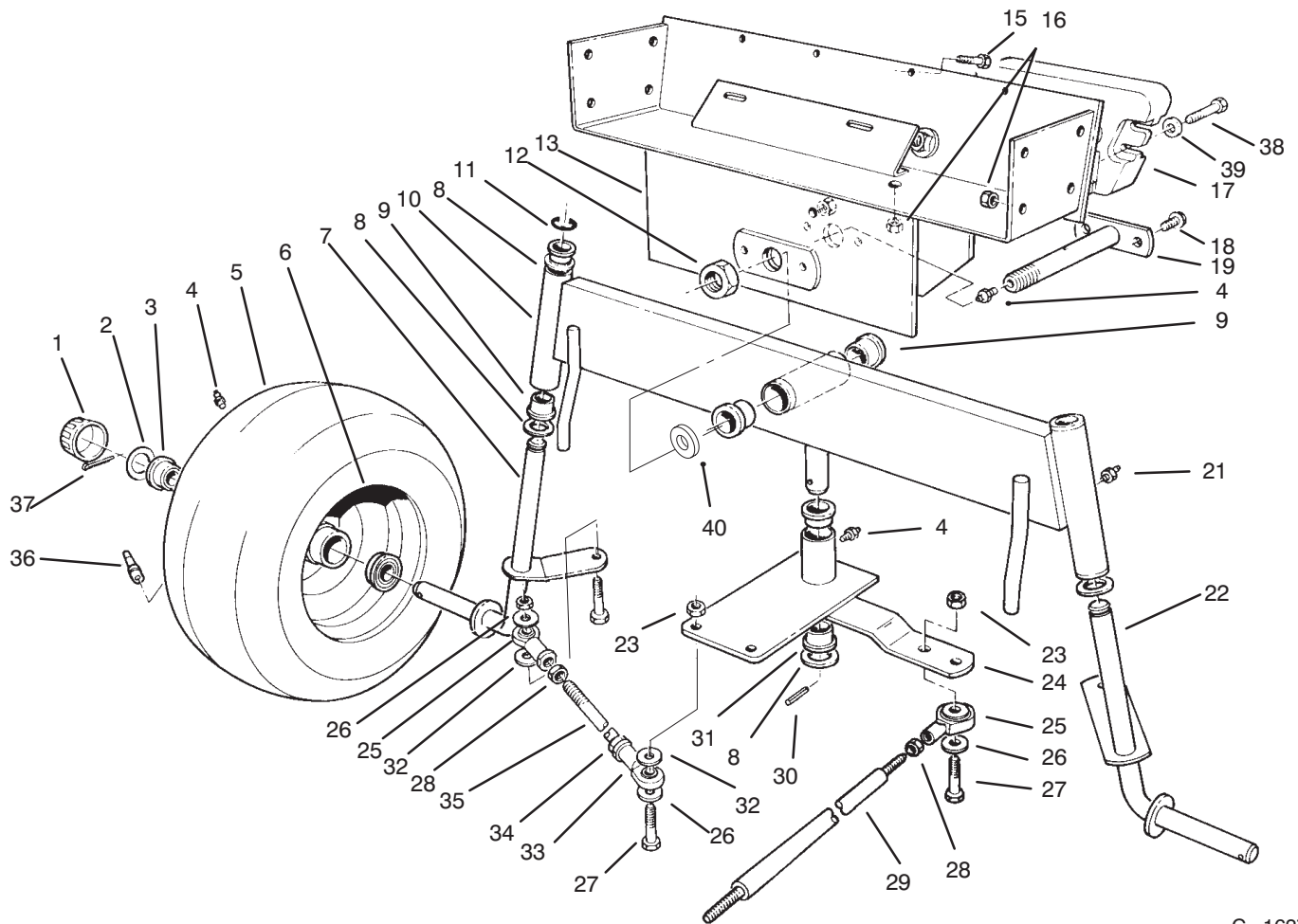


C-1626

FRAME & STEERING ASSEMBLY

Ref. No.	Part No.	Description	No. Used
29	88-3850	Wheel - Steering	1
30	54-1420	Shaft - Steering	1
31	47-1980	Cover Steering Shaft	1
32	92-6278	Decal - Throttle Choke	1
33	3254-5	Washer - Lock	1
34	218-461	Nut - Lock	1
35	63-8360	Key	2
36	88-9830	Switch - Ignition (Incl. Ref. #33-35)	1
37	92-6266	Panel - Tower Rear	1
38	113179	Nut	1
39	113050	Cover - P.T.O. Switch	1
40	92-6277	Decal - Switch	1
41	116716	Switch - Clutch & Brake (Incl. Ref. # 38, 72 & 73)	1
42	3290-440	Washer - Belleville	1
43	54-1340	Link - Steering	1
44	54-2640	Cable - Traction Control	1
45	28-3940	Collar - Steering Shaft	2
46	60-9050	Bearing - Steering Shaft	1
47	54-0880	Decal - Tunnel	1
48	32128-20	Nut - Flange Lock	1
49	3256-23	Washer - Flat	4
50	54-1440	Bracket - Tunnel	2

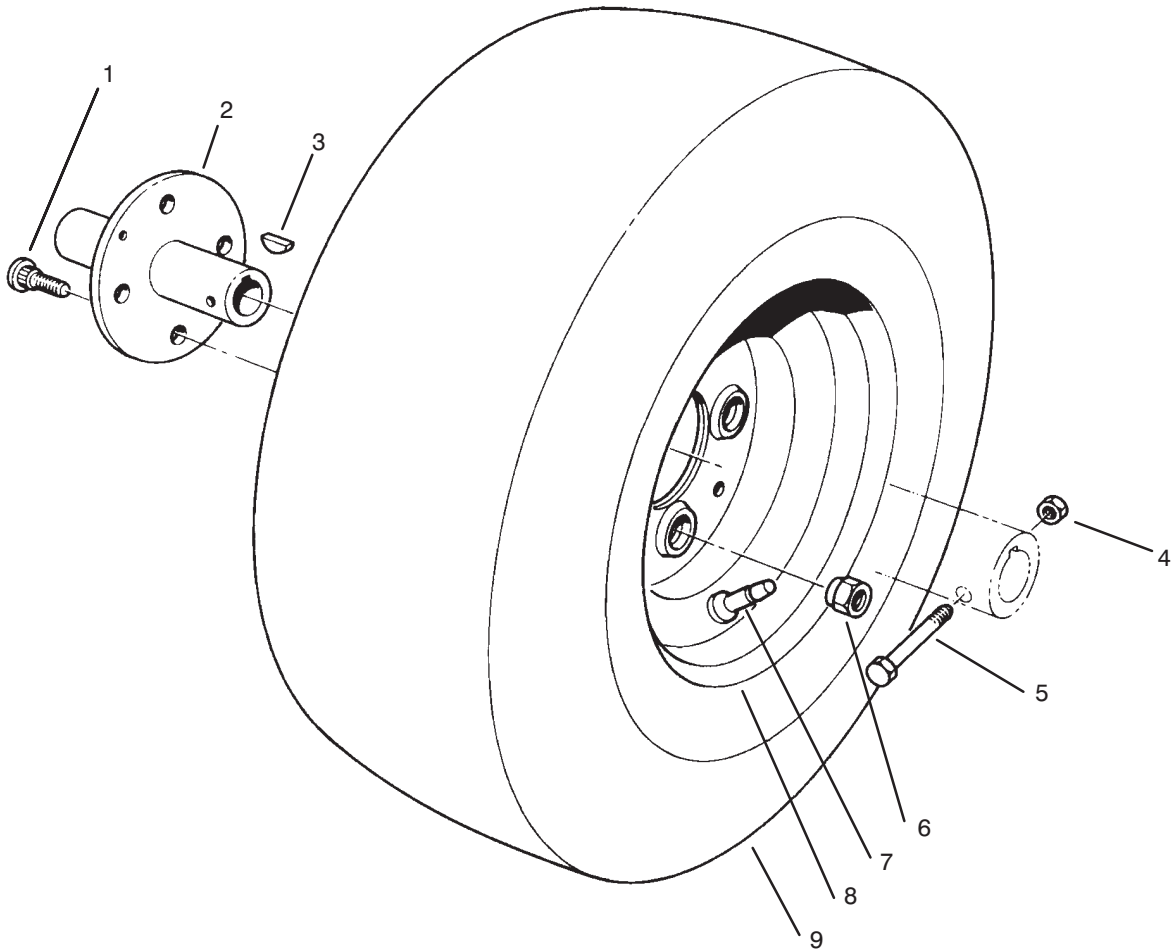
Ref. No.	Part No.	Description	No. Used
51	60-9140	Frame - Footrest	1
52	3-6498	Washer - Thrust	2
53	54-2630	Follower - Steering Shaft	1
54	54-2040	Follower Lever	1
55	3296-48	Nut - Lock	1
56	3256-4	Washer - Flat	1
57	251-304	Rod End	1
58	324-7	Screw - Hex. Hd.	1
59	32121-77	Pin Roll	2
60	32115-5	Nut - Square	4
61	321-4	Screw - Hex. Hd.	9
62	54-2260	Pad Footrest L.H.	1
63	54-1470	Footrest - L.H.	1
64	54-1770	Bracket - Cable Traction	1
65	59-1550	Pedal - Shaft	1
66	60-9150	Tunnel	1
67	322-10	Screw - Hex. Hd.	2
68	54-2270	Pad - Footrest R.H.	1
69	80-4910	Footrest - R.H.	1
70	62-7400	Decal - Toro	1
72	102950	Washer	1
73	105805	Nut	1
74	82-4720	Pad - Footrest	1



C-1627

REAR AXLE ASSEMBLY

Ref. No.	Part No.	Description	No. Used	Ref. No.	Part No.	Description	No. Used
1	61-9780	Hub Cap	2	22	54-0560	Spindle L. H.	1
2	28-2480	Washer - Flat	2	23	3296-48	Nut	5
3	251-210	Bearing - Ball	4	24	92-6257	Plate- Pivot (Incl. Ref. #4 & 30)	1
4	302-5	Fitting - Grease	4	25	251-305	Rod End	3
5	231-126	Tire	2	26	3256-4	Washer - Flat	7
6	242-60	Rim	2	27	324-7	Screw	5
7	54-0570	Spindle R.H.	1	28	3220-4	Nut - Jam	3
8	3-6498	Washer - Thrust	5	29	54-1491	Rod - Steering , Rear	1
9	46-6680	Bushing	6	30	32121-51	Pin - Roll	1
10	92-6255	Axle - Rear (Incl. Ref. #9 & 20)	1	31	27-9080	Bushing	2
11	32151-48	Ring - Retaining	2	32	62-4420	Spacer	9
12	3296-41	Nut - Hex.	1	33	251-304	Rod End	2
13	54-0330	Frame - Rear	1	34	3220-19	Nut - Jam	2
15	321-4	Screw	4	35	57-3100	Tie Rod - Steering	2
16	3296-29	Nut	8	36	232-27	Valve Stem w/Cap	2
17	24-5790	Weight - Rear	1	37	3272-12	Pin - Cotter	2
18	32144-15	Screw	2	38	325-6	Screw	2
19	59-1500	Pivot - Axle	1	39	3253-7	Washer	2
21	302-49	Fitting - Grease	3	40	3256-9	Washer	1

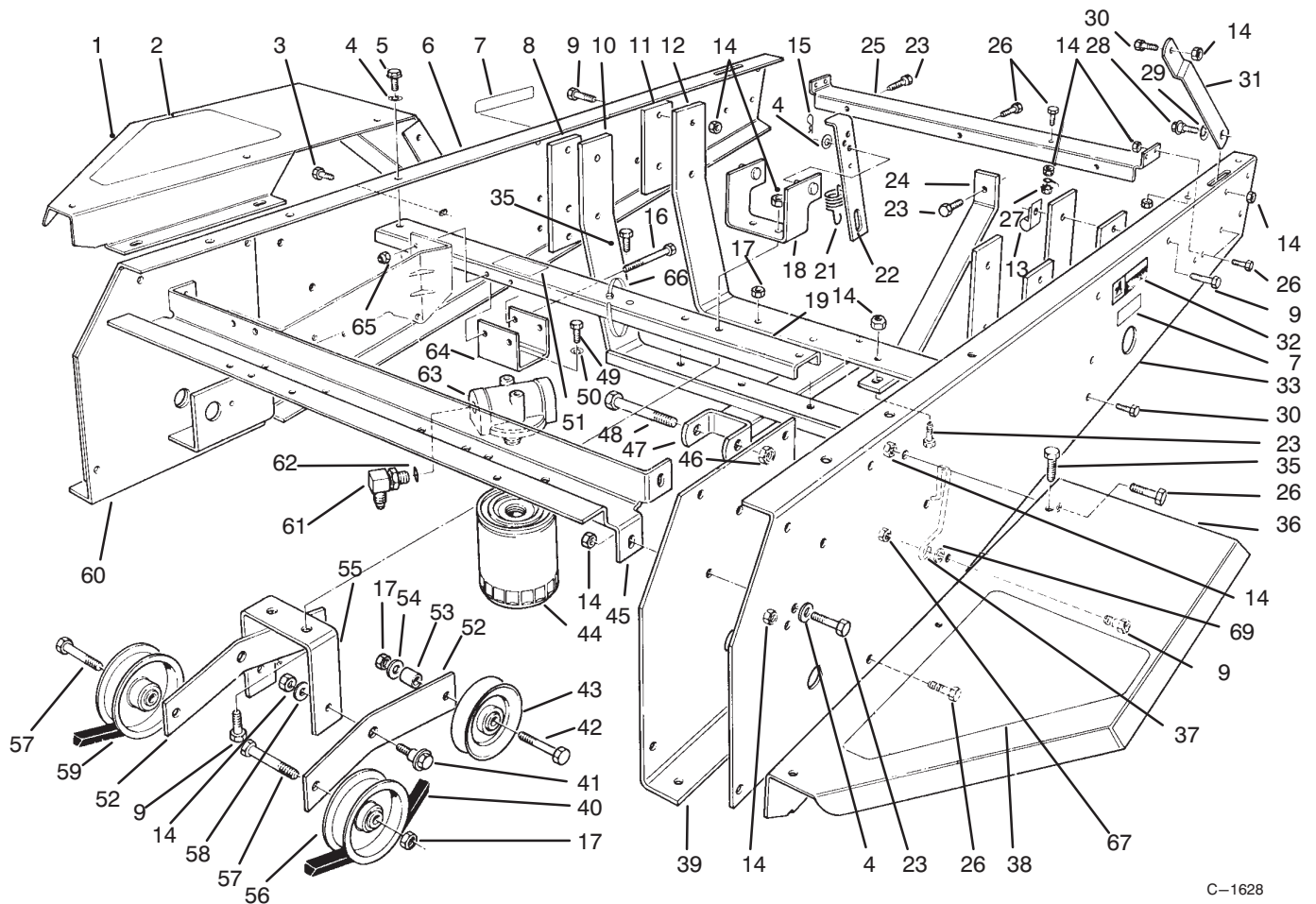


T-0071

FRONT WHEEL ASSEMBLY

Ref. No.	Part No.	Description	No. Used
1	242-71	Bolt - Wheel	8
2	54-0140	Hub - Wheel	2
3	3257-10	Key - Woodruff	2
4	3296-29	Nut - Lock	2
5	322-10	Screw	2

Ref. No.	Part No.	Description	No. Used
6	242-50	Nut	8
7	232-27	Valve Stem w/Cap	2
8	242-76	Rim	2
9	231-122	Tire	2

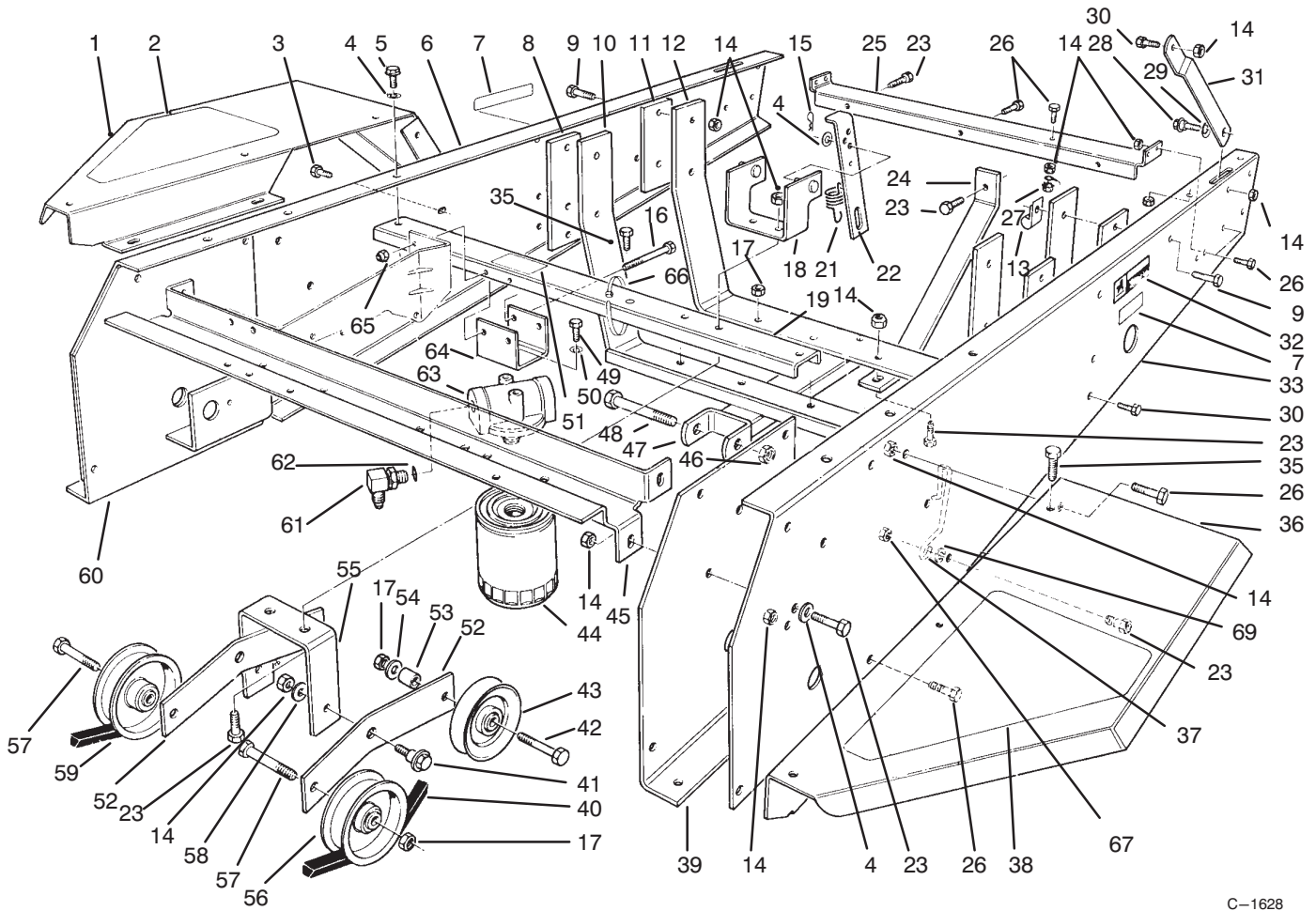


C-1628

FRAME & JACKSHAFT ASSEMBLY

Ref. No.	Part No.	Description	No. Used
1	54-1930	Fender R.H.	1
2	92-6292	Pad - Fender R.H.	1
3	3234-14	Screw	4
4	3256-23	Washer - Flat	8
5	32144-11	Screw - Thread Forming	2
6	54-1910	Channel - Side R.H.	1
7	77-3100	Decal - Caution	2
8	54-1800	Plate - Engine Front	2
9	322-6	Screw	18
10	92-6250	Mount - Engine	1
11	54-1810	Plate - Engine, Rear	2
12	92-6251	Mount - Engine	1
13	2412-100	"J" Clamp	2
14	3296-29	Nut	33
15	3290-250	Pin - Cotter	2
16	321-14	Screw	2
17	3296-44	Nut	2
18	54-2070	Anchor - Spring	1
19	54-2500	Channel - Middle	1
20	323-7	Screw	3
21	54-1410	Spring - Idler	2
22	54-1130	Link - Idler Anchor	2

Ref. No.	Part No.	Description	No. Used
24	92-6254	Bar - Tension	1
25	54-1830	Support - Shield	1
26	322-4	Screw	13
27	32149-1	Nut - Lock	1
28	27-0410	Bolt - Shoulder	2
29	3290-211	Washer - Spring	2
30	322-3	Screw	3
31	54-1870	Stop - Hood, Lower	2
32	54-0910	Decal - Warning	1
33	54-1920	Channel - Side L.H.	1
35	46-8560	Screw	7
36	54-1940	Fender L.H.	1
37	55-4860	Guide - Belt	1
38	92-6293	Pad - Fender L.H.	1
39	54-0460	Axle Stand - L.H.	1
40	54-1380	JackShaft - "V" Belt	1
41	19-1470	Bolt - Shoulder	2
42	323-11	Screw	2
43	62-4530	Idler - "V" Belt	2
44	54-0110	Filter - Transmission Oil	1
45	54-1010	Channel - Front	1

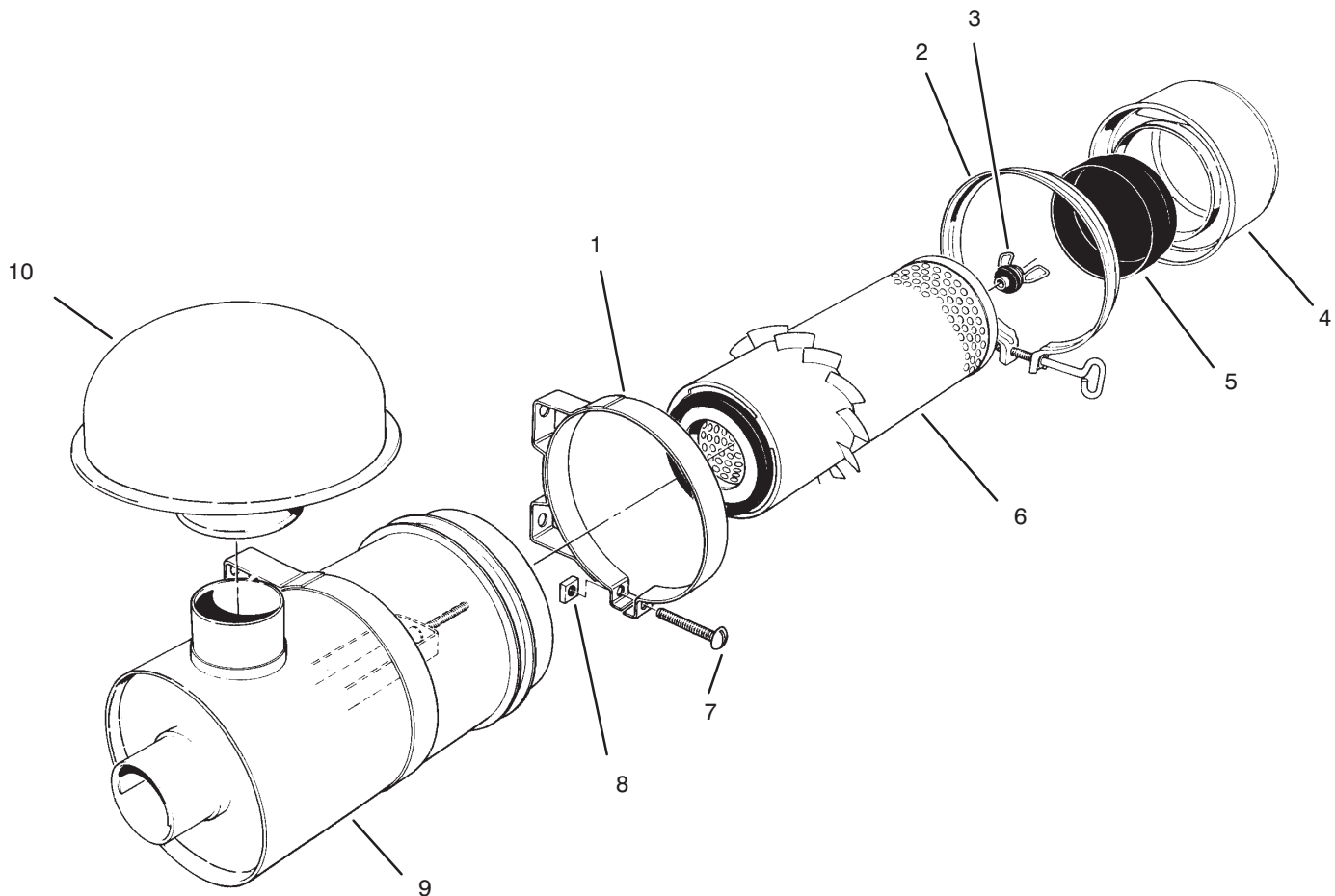


C-1628

FRAME & JACKSHAFT ASSEMBLY (Continued)

Ref. No.	Part No.	Description	No. Used
46	3296-61	Nut	1
47	92-6252	Mount - Cylinder	1
48	327-24	Screw	1
49	321-3	Screw	2
50	3253-3	Washer - Lock	2
51	53-4430	Decal - Oil	1
52	54-9200	Lever - Idler	2
53	37-7250	Spacer	2
54	3256-3	Washer - Flat	2
55	54-1060	Bracket - Idler Mount	1
56	62-4540	Idler - Flat	2
57	323-9	Screw	2

Ref. No.	Part No.	Description	No. Used
58	23-1120	Washer - Flat	2
59	54-1390	"V" Belt - Traction	1
60	54-0450	Axle Stand R.H.	1
61	353-371	Fitting - 90°	2
62	237-79	"O" Ring	1
63	86-9080	Head - Filter	1
64	54-1120	Bracket - Filter Head	1
65	3296-42	Nut - Lock	2
66	3290-379	Cable Tie	7
67	32128-20	Nut - Flange Lock	1
69	3255-8	Washer - Lock, Ext. Tooth	1

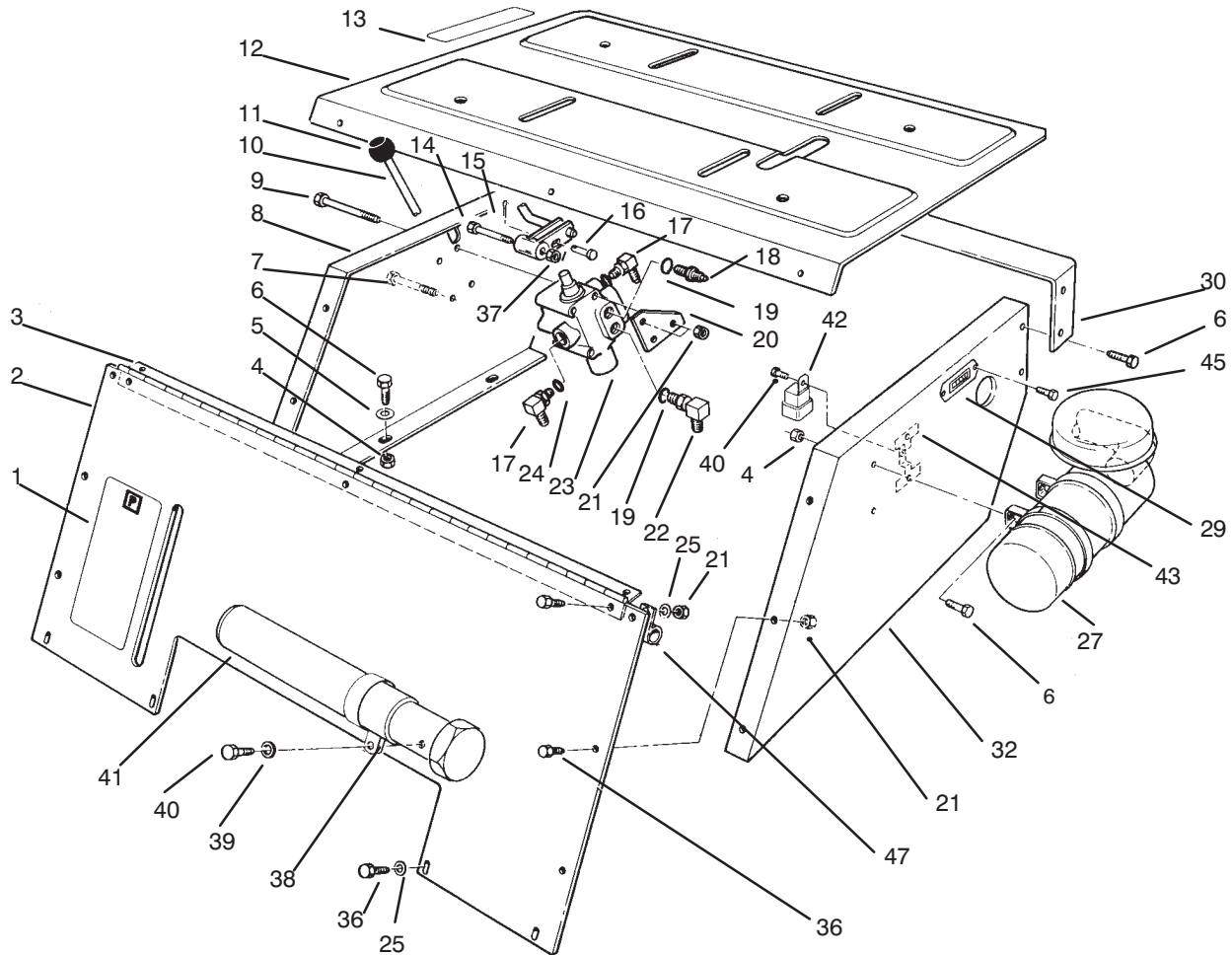


T-0248

AIR CLEANER, MODEL NO. 11-4659

Ref. No.	Part No.	Description	No. Used
1	33-1350	Band Assembly (Incl. Ref. #7 & 8)	2
2	33-1340	Clamp Assembly	1
3	33-1330	Nut Assembly	1
4	33-1320	Cup	1
5	33-1310	Baffle	1

Ref. No.	Part No.	Description	No. Used
6	33-1300	Element Assembly	1
7	3258-19	Screw - Round Hd.	2
8	32107-11	Nut - Square	2
9		Body Assembly	1
10	46-7510	Hood - Intake	1

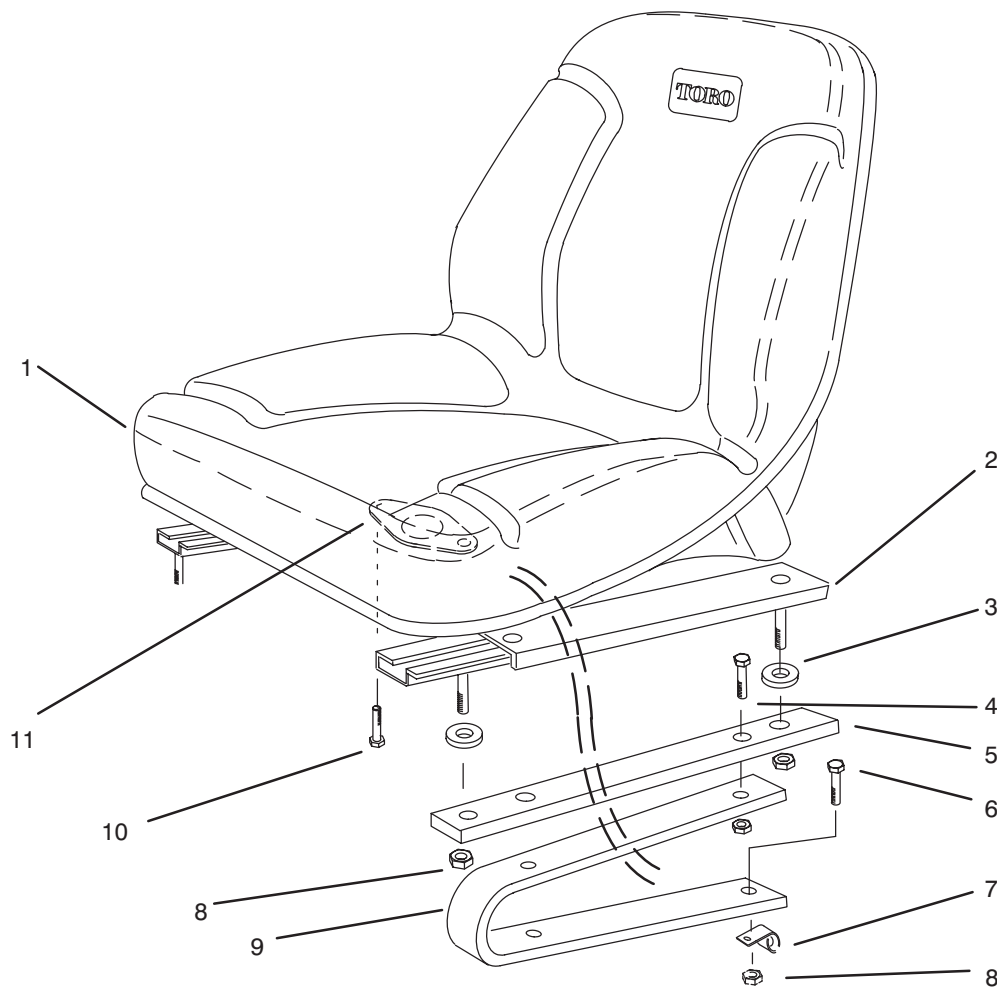


C-1629

SEAT SUPPORT ASSEMBLY

Ref. No.	Part No.	Description	No. Used
1	54-0920	Decal - Parking Brake	2
2	80-3760	Support - Seat, Front	1
3	54-3110	Hinge - Seat	1
4	3296-29	Nut	12
5	3256-23	Washer - Flat	6
6	322-4	Screw	12
7	321-14	Screw	2
8	54-1220	Support - Seat R.H.	1
9	321-23	Screw	2
10	82-4680	Lever - Valve	1
11	233-37	Knob	1
12	92-6281	Plate - Seat	1
13	54-0900	Decal - Lift Control	1
14	56-6590	Screw	1
15	3272-6	Pin - Cotter	1
16	283-17	Pin - Clevis	1
17	353-511	Fitting	2
18	353-545	Fitting	1
19	237-78	"O"Ring	2
20	82-4700	Bracket - Lever, Valve	1

Ref. No.	Part No.	Description	No. Used
21	3296-42	Nut - Lock	19
22	353-375	Fitting - 90°	1
23	54-0090	Valve Assembly	1
24	237-42	"O"Ring	2
25	3256-1	Washer - Flat	11
27	11-4659	Air Cleaner Assembly	1
29	75-6820	Meter - Hour	1
30	54-1550	Support - Hood	1
32	92-5435	Support - Seat L.H.	1
36	321-4	Screw	14
37	3296-39	Nut	1
38	2412-120	"R"Clamp	2
39	3256-51	Washer	2
40	32144-73	Screw	4
41	74-0720	Tube - Manual	1
42	63-7590	Relay	1
43	92-6259	Bracket	1
45	32144-18	Screw	2
47	2412-67	Clamp - Wire	1



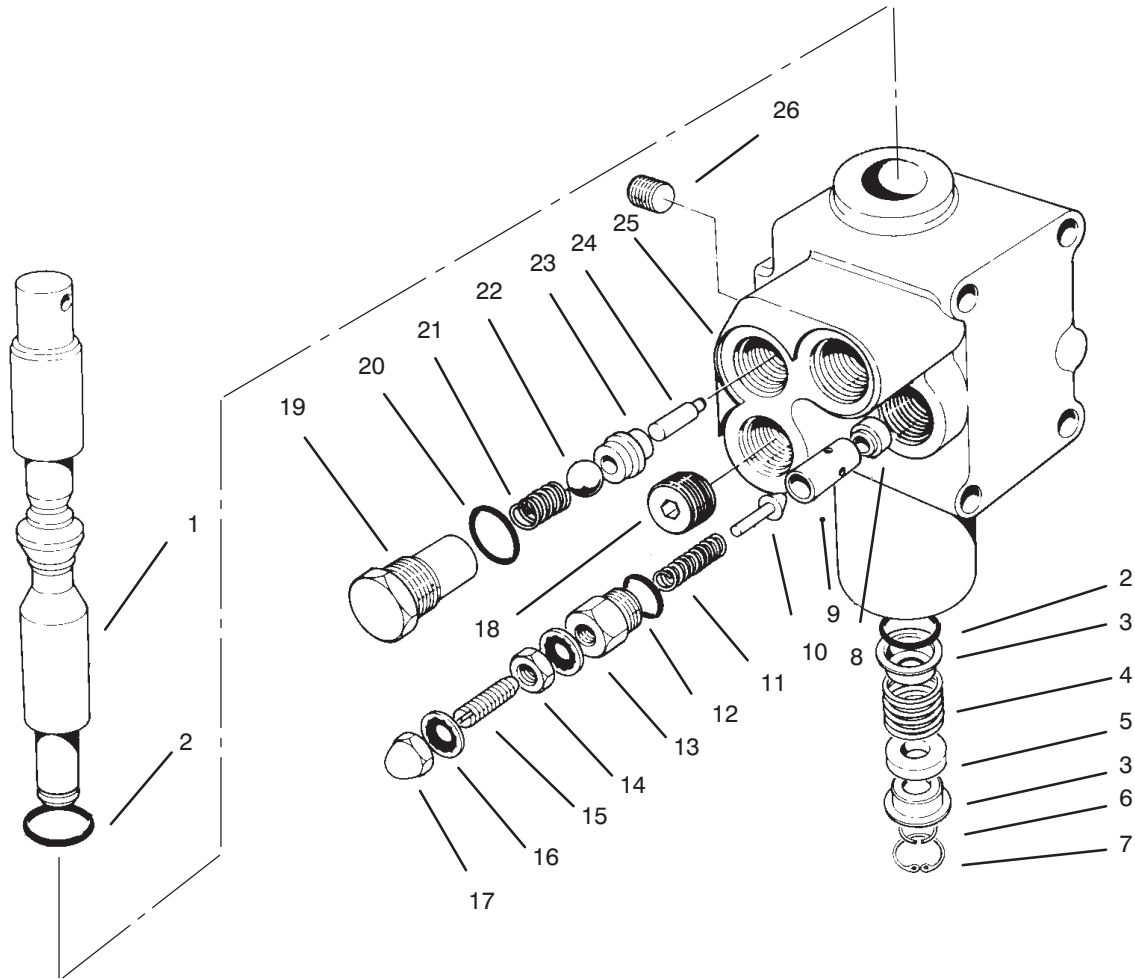
SEAT ASSEMBLY

C-1603

Ref. No.	Part No.	Description	No. Used
1	92-6280	Seat	1
2	51-0790	Slide Seat Adjust Assembly	1
*	51-0780	Slide Seat Assembly R.H.	1
3	109989	Spacer	4
4	322-4	Screw	4
5	92-6284	Plate - Adapter, Seat	2
6	322-5	Screw	4

Ref. No.	Part No.	Description	No. Used
7	2412-93	Clamp - Hose	1
8	3296-29	Nut - Lock	8
9	114263	Spring - Seat	2
10	321-3	Screw	2
11	92-6282	Switch - Seat	1
*	92-6533	Cushion - Replacement	1

* Not Illustrated

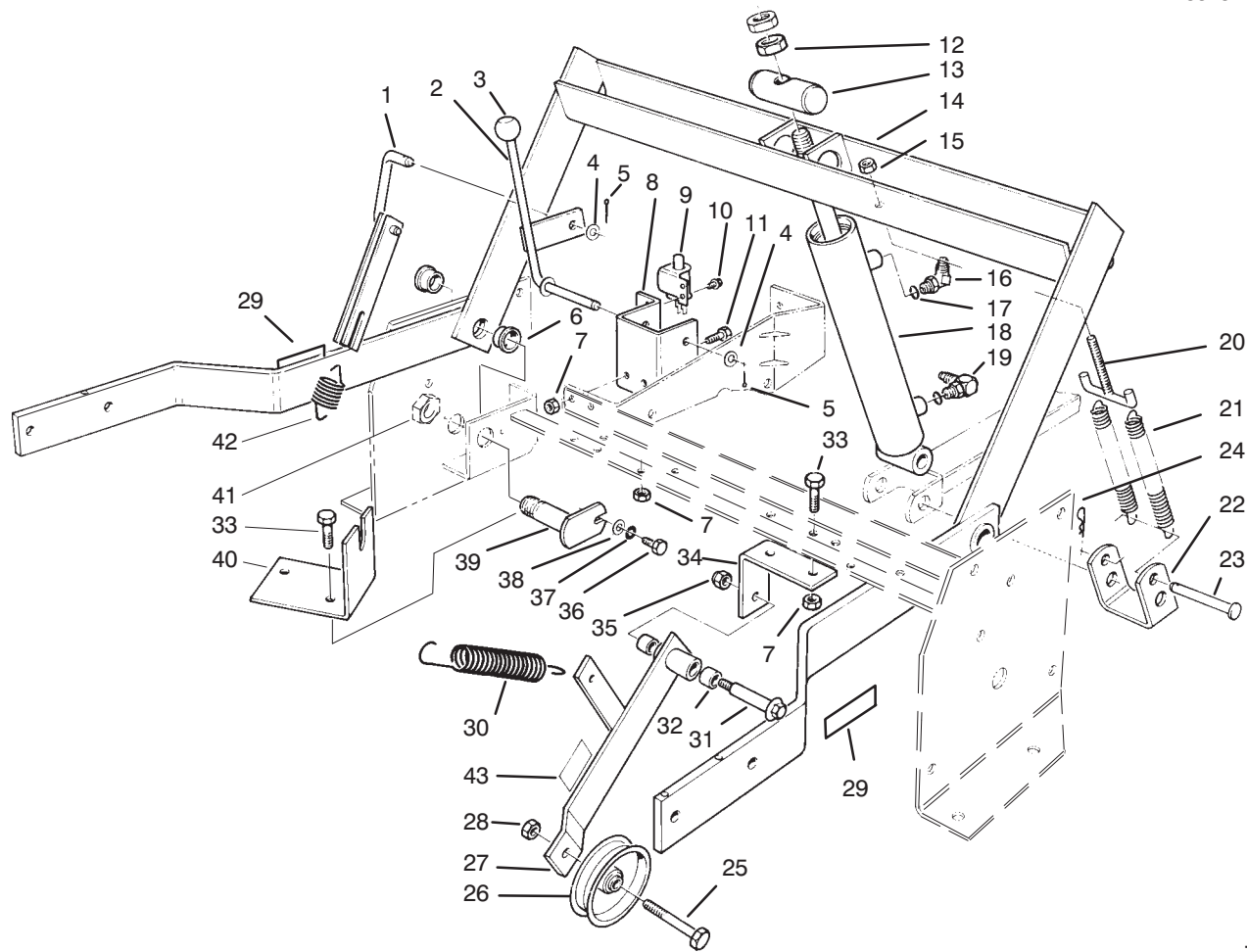


T-0075

VALVE ASSEMBLY NO. 54-0090

Ref. No.	Part No.	Description	No. Used
1	54-0260	Spool	1
2	22-8500	"O"Ring	2
3	22-8380	Retainer - Spring	2
4	22-8410	Spring	1
5	27-5200	Spacer	1
6	22-8480	Ring - Retaining	1
7	22-8490	Ring - Retaining	1
8	55-3640	Seat - Relief	1
9		Guide	1
10		Plunger	1
11		Spring	1
12		"O"Ring	1
13		Cap - PV Adjustment	1
14		Nut	1

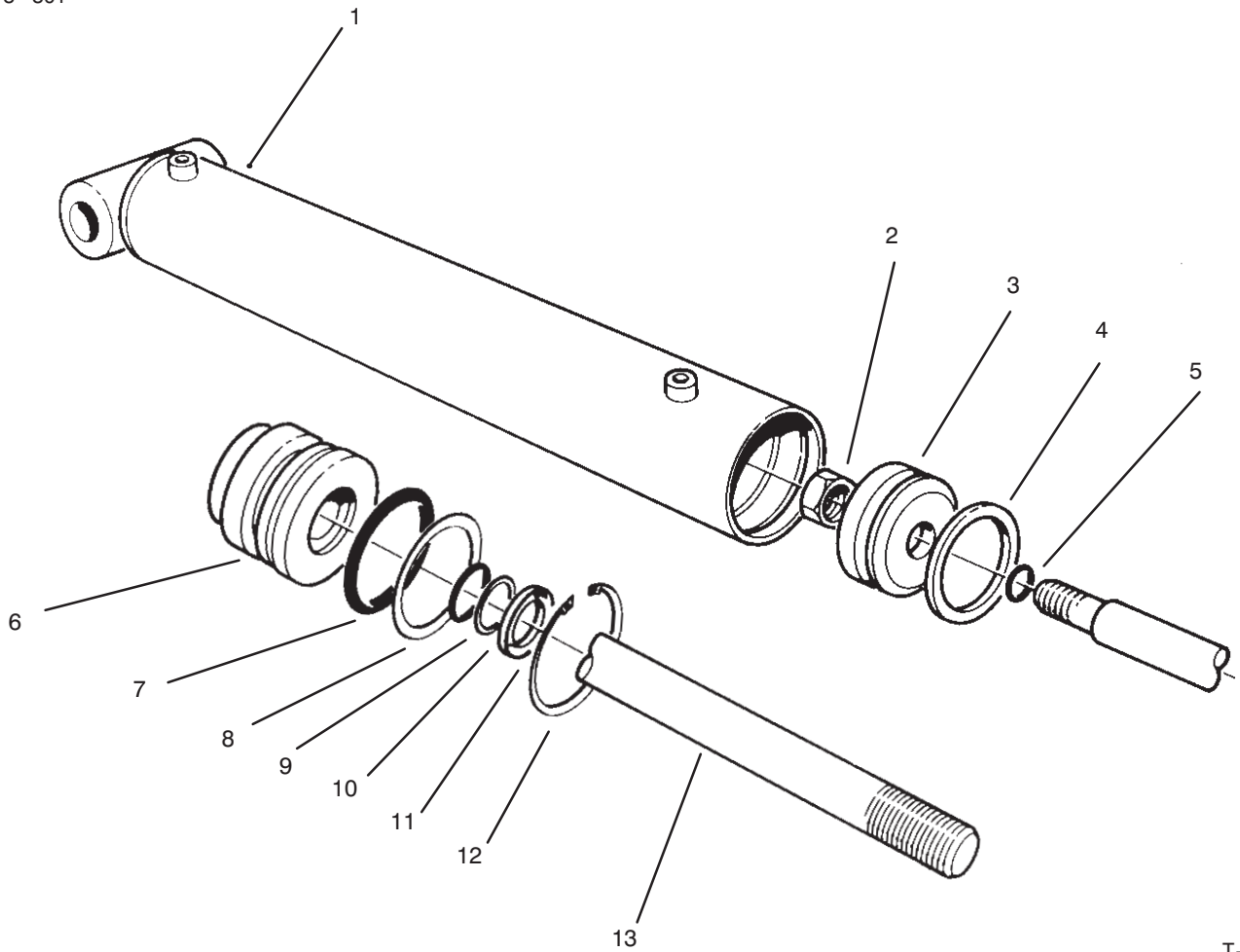
Ref. No.	Part No.	Description	No. Used
15		Screw - Set	1
16		Stat O Seal	1
17		Nut - Acorn	1
18	28-1120	Plug	1
19	22-8330	Plug	1
20	237-42	"O"Ring	2
21	22-8340	Spring	1
22	22-8350	Ball	1
23	22-8370	Seat - Check Valve	1
24	22-8360	Pin - Cam	1
25		Body	1
26	55-3650	Plug	1
*	55-3630	Adjustable Relief Valve (Incl. Ref. #9-17)	1



T-0076

PARKING BRAKE & LIFT FRAME ASSEMBLY

Ref. No.	Part No.	Description	No. Used	Ref. No.	Part No.	Description	No. Used
1	54-2120	Link - Parking Brake	1	23	283-55	Pin - Clevis	1
2	54-2110	Lever - Brake	1	24	3290-355	Pin - Cotter	1
3	233-37	Knob	1	25	323-10	Screw	1
4	3256-24	Washer - Flat	2	26	36-3220	Pulley - Idler	1
5	3272-10	Pin - Cotter	2	27	12-1109	Lever - Idler (Incl. Ref. #43)	1
6	27-9080	Bushing	4	28	3296-44	Nut	1
7	3296-29	Nut	6	29	61-3610	Decal - Warning	2
8	54-1270	Bracket - Parking Brake	1	30	54-1170	Spring - Extension	1
9	55-7120	Switch - Brake	1	31	27-6230	Bolt - Shoulder	1
10	32144-1	Screw - Thread Forming	2	32	256-154	Bushing	2
11	322-6	Screw	2	33	322-4	Screw	4
12	3220-6	Nut - Jam	2	34	55-7310	Bracket - Idler	1
13	54-2000	Pin - Pivot	1	35	3296-6	Nut	1
14	66-1570	Frame - Lift (Incl. Ref. #6)	1	36	321-2	Screw	2
15	32153-3	Nut	2	37	3253-3	Washer	2
16	353-431	Fitting - 45°	1	38	3256-1	Washer	2
17	237-78	"O" Ring	2	39	54-2100	Pin - Pivot	2
18	54-0150	Cylinder - Lift	1	40	56-6920	Bracket - Cable Extension	1
19	353-375	Fitting - 90°	1	41	3296-15	Nut	2
20	56-3320	"T" Hook	1	42	54-0960	Spring - Parking Brake	1
21	56-2760	Spring - Extension	2	43	55-4300	Decal	1
22	56-3370	Bracket - Spring	2				

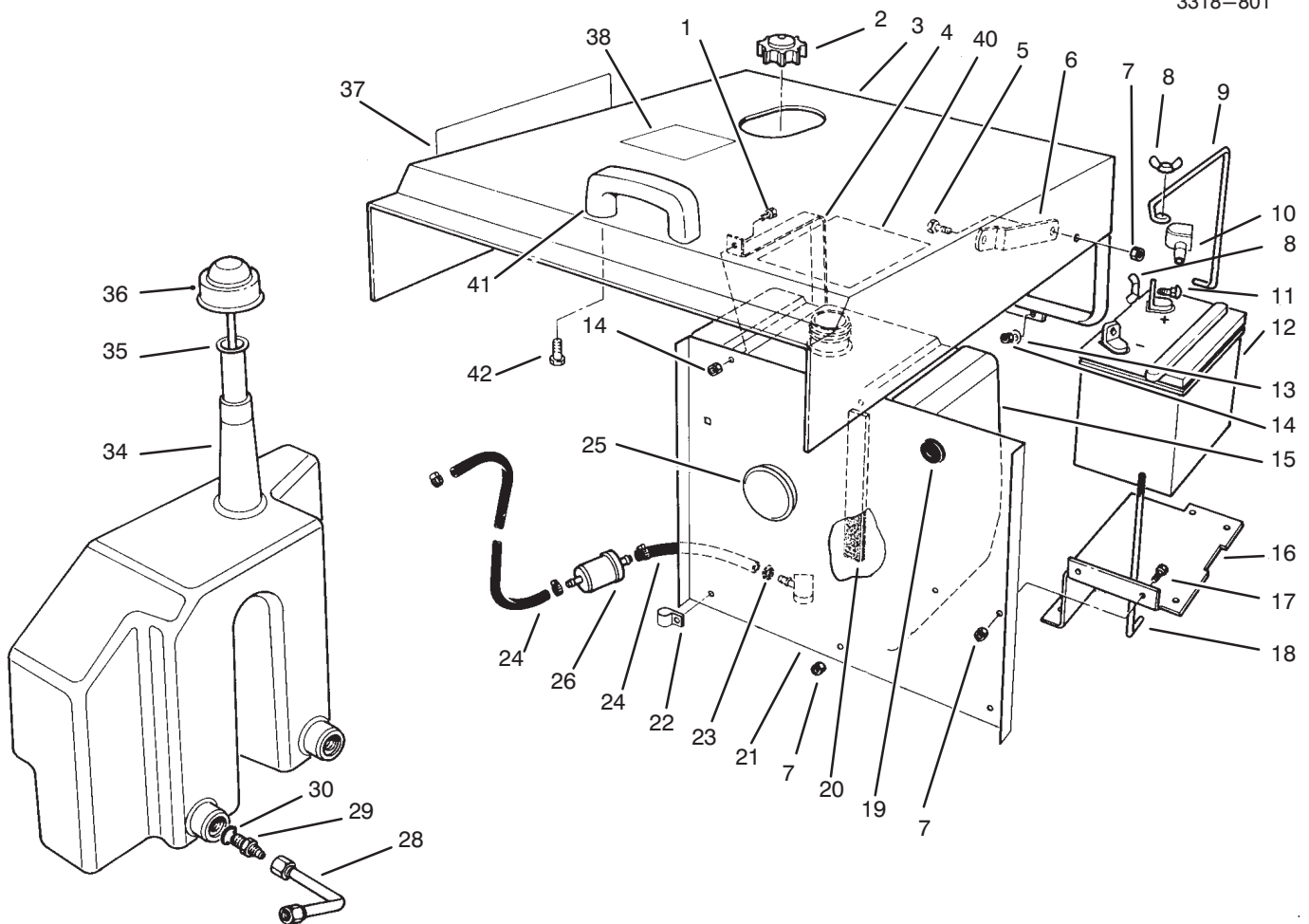


T-0077

HYDRAULIC LIFT CYLINDER NO. 54-0150

Ref. No.	Part No.	Description	No. Used
1†		Barrel	1
2	32152-10	Nut - Lock	1
3	54-0300	Piston	1
4		Uniring	1
5		"O"Ring	1
6	54-0310	Head	1
7		"O"Ring	1
8		Washer - Backup	1

Ref. No.	Part No.	Description	No. Used
9		"O"Ring	1
10		Washer - Backup	1
11		Seal - Dust	1
12	43-5220	Ring - Retaining	1
13	54-0280	Shaft	1
*	54-0290	Seal Repair Kit (Incl. Ref. #4, 5 & 7-11)	1

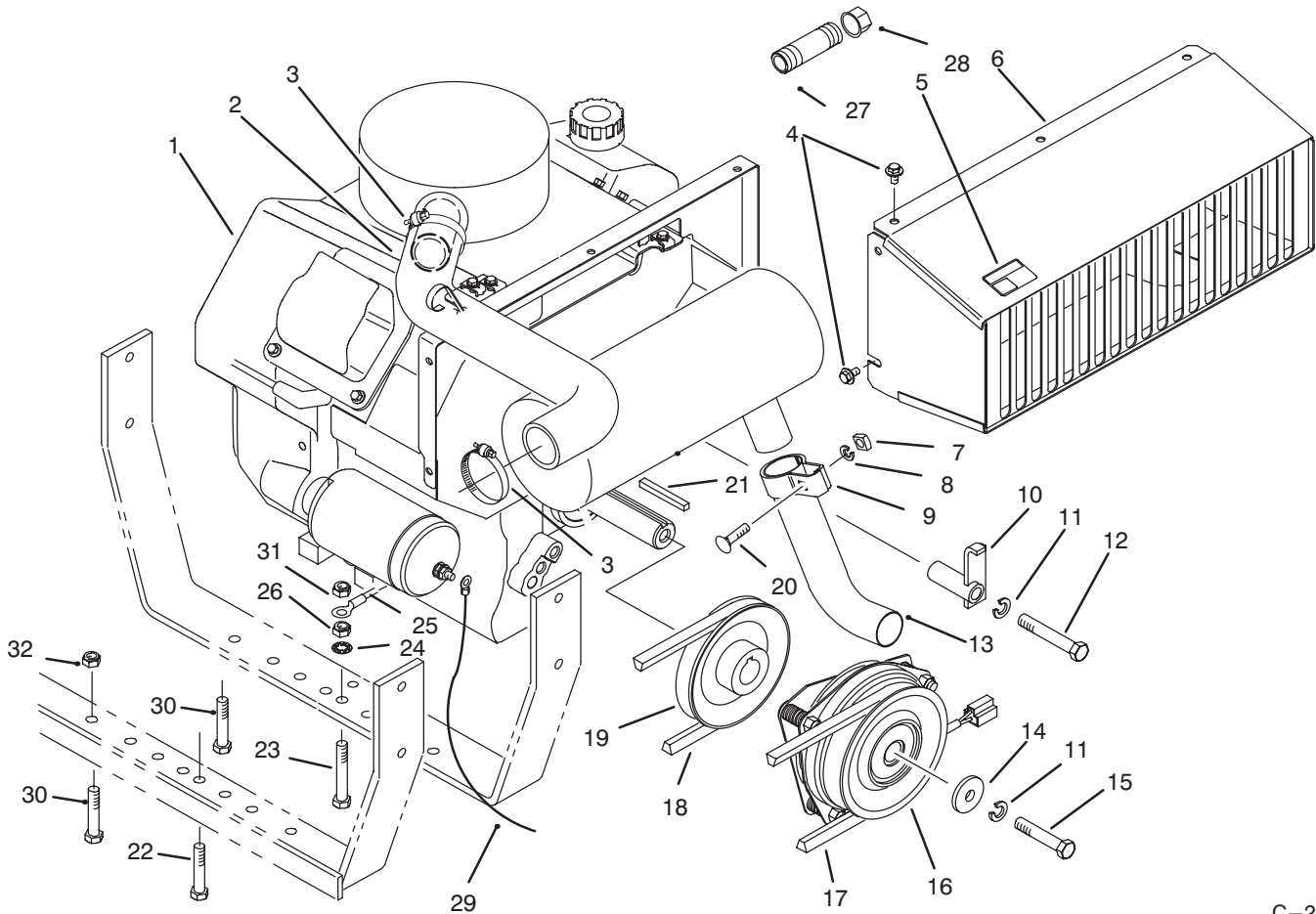


C-1630

HOOD, FUEL TANK & HYDRAULIC RESERVOIR ASSEMBLY

Ref. No.	Part No.	Description	No. Used	Ref. No.	Part No.	Description	No. Used
1	321-3	Screw - Hex. Hd.	2	21	92-6267	Shield - Heat	1
2	55-3570	Cap - Fuel	1	22	2412-100	"R"Clamp	1
3	14-4109	Hood	1	23	2412-108	Clamp - Hose	4
4	54-1880	Strap - Fuel Tank	2	24	92-6283	Hose - Fuel	2
5	322-3	Screw - Hex. Hd.	2	25	92-6274	Plug - Cap	1
6	54-1860	Stop - Hood Upper	2	26	94-9695	Filter - Fuel	1
7	3296-29	Nut - Hex.	9	28	54-2310	Hydraulic Tube Assembly Transmission to Reservoir	1
8	32103-22	Nut - Wing	3	29	353-385	Fitting - Hydraulic Straight (Incl. Ref. #30)	2
9	54-1260	Clamp - Battery	1	30	237-42	"O"Ring	2
10	77-0981	Boot - Terminal	1	34	54-2470	Reservoir - Hydraulic	1
11	3229-1	Bolt - Carriage	2	35	29-0590	Screen	1
12	82-4640	Battery	1	36	36-4950	Cap - Oil	1
13	3256-1	Washer	4	37	94-5410	Decal - Groundsmaster 120	2
14	3296-42	Nut - Lock	8	38	92-6291	Decal - Refueling	1
15	62-4040	Tank - Fuel	1	40	92-6288	Decal - Service	1
16	54-1850	Support - Battery	1	41	65-5100	Handle	1
17	322-4	Screw - Hex. Hd.	2	42	46-8091	Screw	2
18	12-5950	Rod - Battery Support	1	*	68-7330	Decal - Danger	1
19	237-100	Grommet	1				
20	54-1890	Foam - Tank	2				

*Not Illustrated

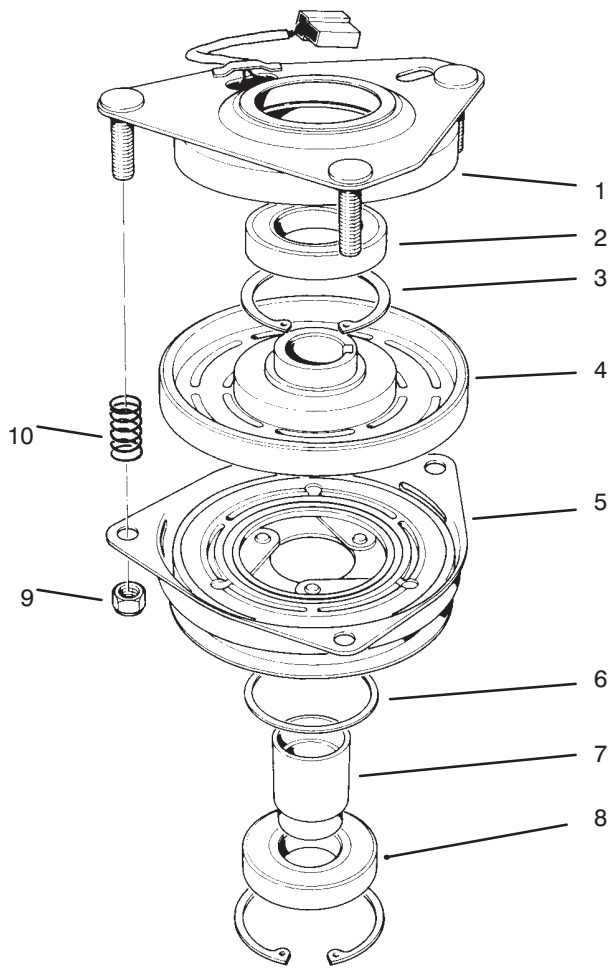


C-2344

ENGINE ASSEMBLY

Ref. No.	Part No.	Description	No. Used
1	94-1297	Engine - Kohler 20 HP Model CH20QS PS 64556	1
2	94-1296	Hose - Carburetor	1
3	2412-92	Clamp - Hose	2
4	48-7610	Screw	5
5	63-8440	Decal - Hot Surface	1
6	92-6260	Duct - Engine	1
7	3217-6	Nut - Square	1
8	3253-4	Washer - Lock	1
9	55-8660	Assembly - Clamp (Incl. Ref. #7, 8 & 20)	1
10	54-2160	Bracket - Anchor	1
11	3253-6	Washer - Lock	2
12	324-11	Screw - Hex. Hd.	1
13	54-2290	Pipe - Exhaust	1
14	44-8160	Washer - Flat	1
15	3212-24	Screw - Hex. Hd.	1

Ref. No.	Part No.	Description	No. Used
16	54-0220	Assembly - Clutch	1
17	54-1380	V-Belt	1
18	54-1390	V-Belt	1
19	54-2330	Pulley - Engine	1
20	3230-3	Bolt - Carriage	1
21	5-0930	Key	1
22	323-10	Screw - Hex. Hd.	1
23	323-12	Screw - Hex. Hd.	1
24	3254-6	Washer - Lock, Int. Tooth	1
25	92-6287	Wire - Ground	1
26	3296-39	Nut - Lock	2
27	289-48	Nipple - Pipe	1
28	288-10	Cap - Pipe	1
29	28-3894	Wire - Positive	1
30	323-9	Screw	2
31	3290-357	Nut - Wizz	1
32	32128-21	Nut - Lock	2



T-0080

CLUTCH ASSEMBLY NO. 54-0220

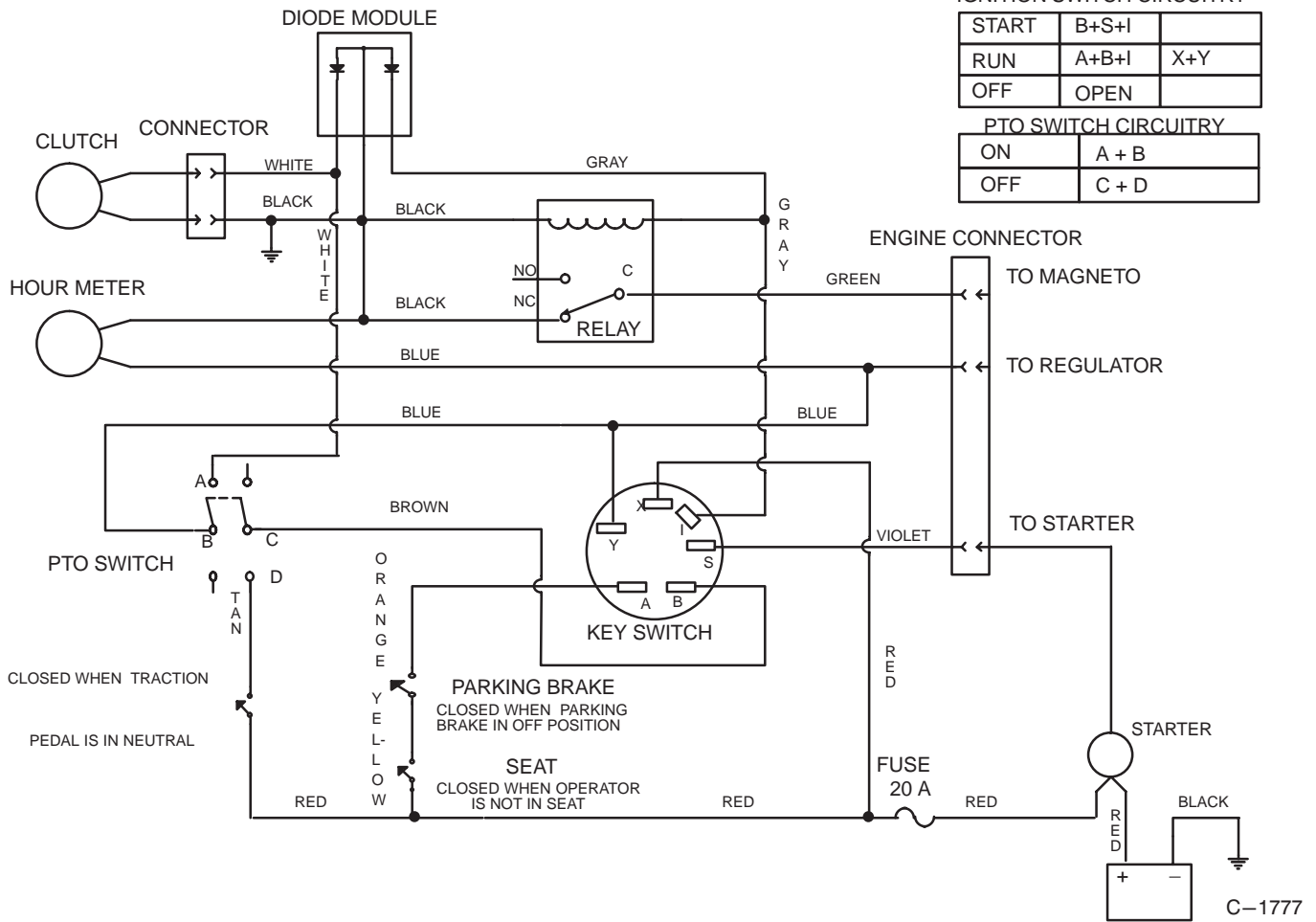
Ref. No.	Part No.	Description	No. Used	Ref. No.	Part No.	Description	No. Used
1	54-0230	Field Assembly (Incl. Ref. #2 & 3)	1	6	44-8330	Spacer - Bearing	1
2	251-292	Bearing - Field	1	7	44-8340	Collar - Bearing	1
3	44-8310	Ring - Retaining	2	8	251-291	Bearing - Pulley	1
4	44-8360	Field Coil, Rotor & Bearing (Incl. Ref. #1)	1	9	3296-6	Nut - Lock	3
5	44-8370	Armature & Pulley Assembly (Incl. Ref. #3, 6, 7 & 8)	1	10	44-8320	Spring	3

IGNITION SWITCH CIRCUITRY

START	B+S+I	
RUN	A+B+I	X+Y
OFF	OPEN	

PTO SWITCH CIRCUITRY

ON	A + B
OFF	C + D

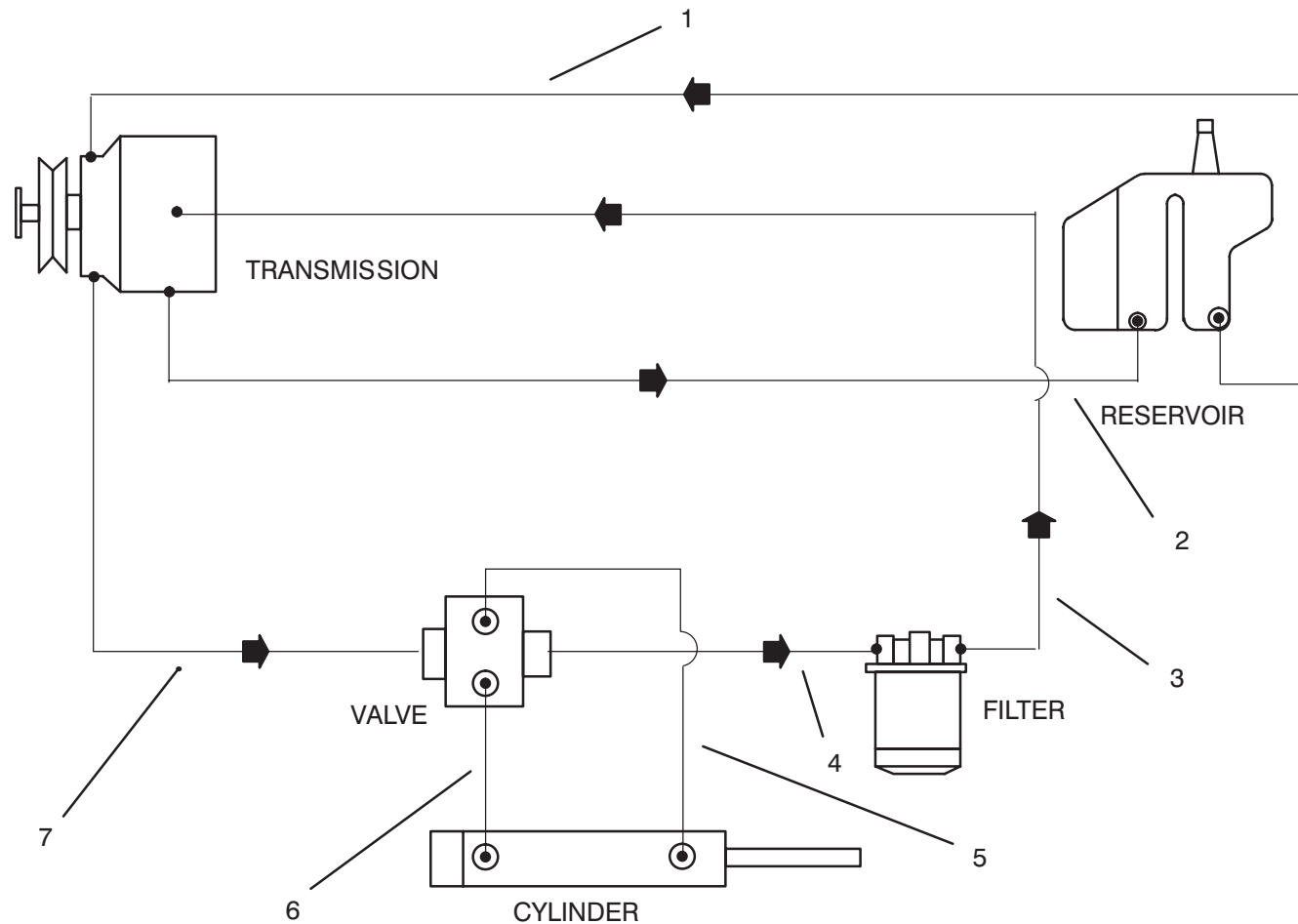


ELECTRIC SCHEMATIC

Ref. No.	Part No.	Description	No. Used
*	94-5848	Harness - Wire	1
*	94-5849	Diode	1

Ref. No.	Part No.	Description	No. Used

*Not Illustrated

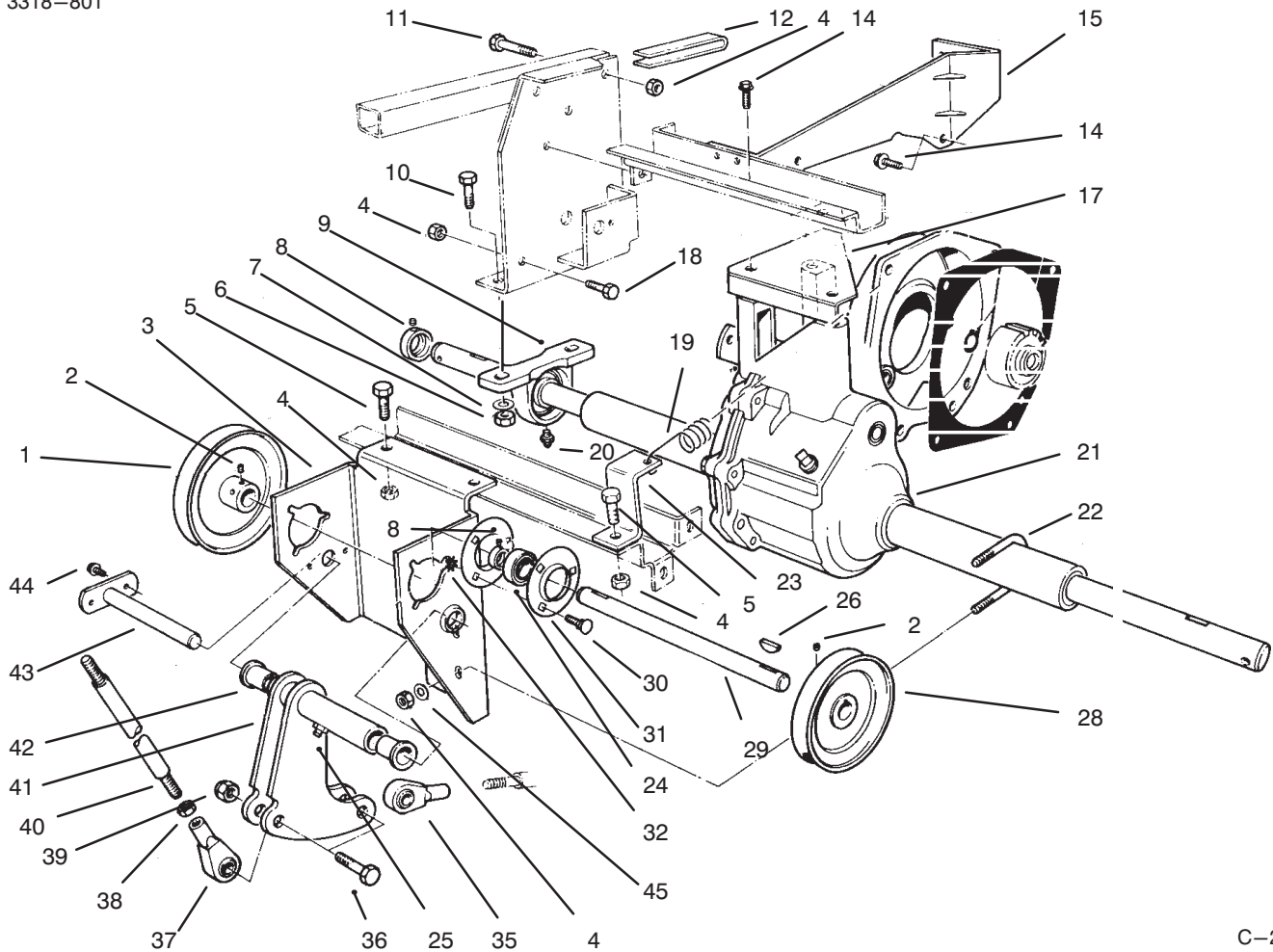


T-0084

HYDRAULIC SCHEMATIC

Ref. No.	Part No.	Description	No. Used
1	56-3390	Hydraulic Hose Assembly Reservoir to Transmission	1
2	54-2310	Hydraulic Tube Assembly	1
3	54-2580	Hydraulic Hose Assembly Filter to Transmission	1
4	54-2570	Hydraulic Hose Assembly Valve to Filter	1

Ref. No.	Part No.	Description	No. Used
5	54-2610	Hydraulic Hose Assembly Cylinder to Valve	1
6	54-2620	Hydraulic Hose Assembly Cylinder to Valve	1
7	54-2590	Hydraulic Hose Assembly Transmission to Valve	1



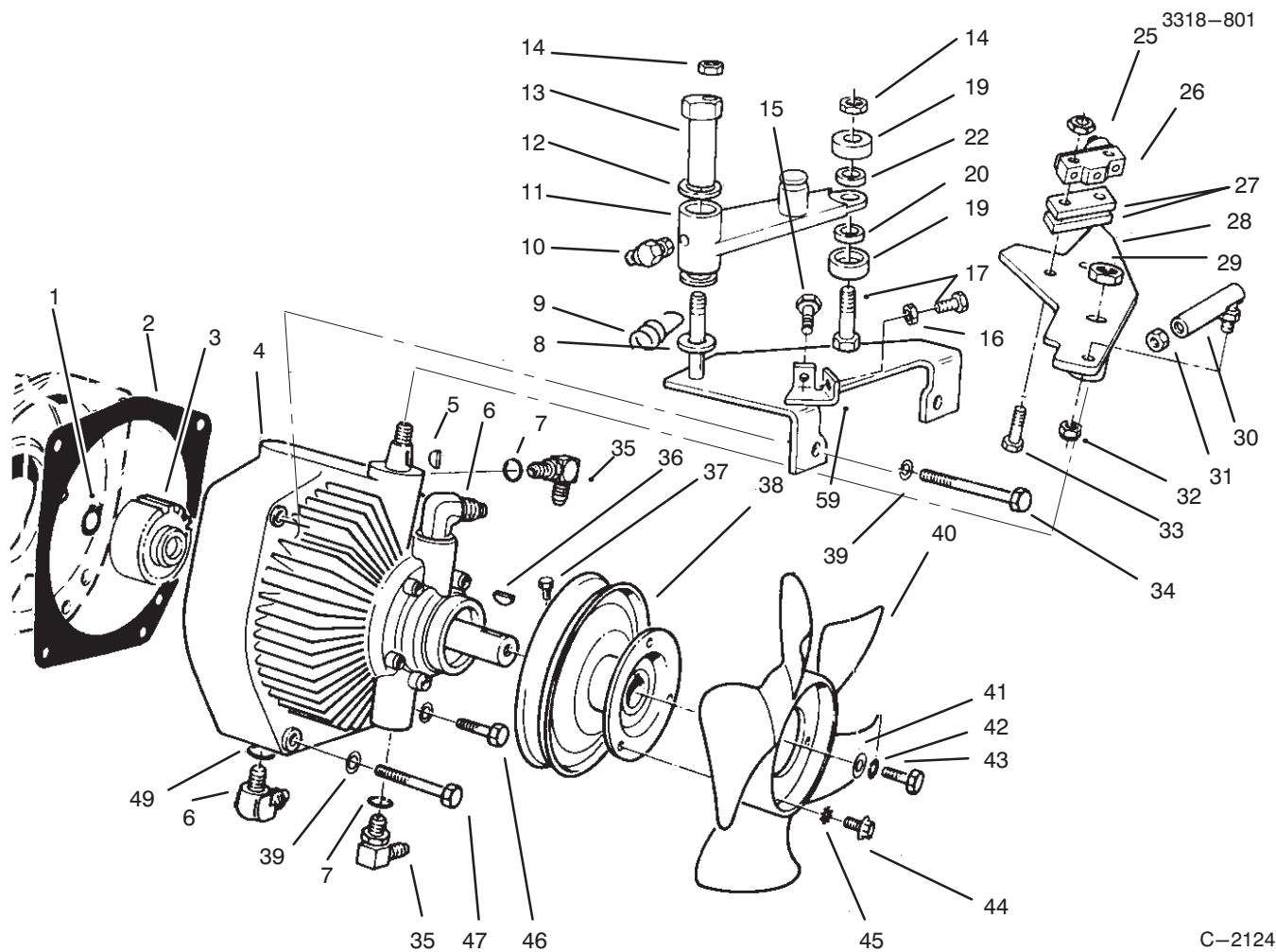
C-2123

DIFFERENTIAL ASSEMBLY

Ref. No.	Part No.	Description	No. Used
1	54-2390	Pulley - Output	1
2	3241-1	Screw - Set	4
3	60-9130	Bracket - Jackshaft	1
4	3296-29	Nut - Lock	A/R
5	322-4	Screw - Hex. Hd.	6
6	3296-44	Nut - Lock	4
7	3256-3	Washer - Flat	4
8	3245-35	Screw - Set	4
9	72-4060	Bearing Assembly	2
10	323-8	Screw - Hex. Hd.	4
11	322-10	Screw - Hex. Hd.	4
12	80-3750	Spacer	2
14	3234-1	Screw - Hex. Flange Hd.	5
15	59-1620	Bracket - Transaxle	1
17	60-8990	Plate - Transaxle	1
18	322-4	Screw - Hex. Hd.	6
19	76-9430	Spring - Extension	1
20	302-2	Fitting - Grease	2
21	13-5969	Differential Assembly	1
22	54-8970	"U" Bolt	1
23	92-6273	Bracket - Spring	1

Ref. No.	Part No.	Description	No. Used
24	251-288	Bearing w/Collar	2
25	302-49	Fitting - Grease	1
26	3257-5	Key - Woodruff	3
28	54-2380	Pulley - Input	1
29	54-1600	Jackshaft	1
30	3230-1	Bolt - Carriage	6
31	251-341	Flange - Bearing	4
32	32149-1	Nut - Lock	6
35	251-304	Rod End	1
36	324-7	Screw - Hex. Hd.	2
37	251-305	Rod End	1
38	3220-4	Nut - Hex. Jam	2
39	3296-48	Nut - Lock	2
40	54-1490	Rod - Steering	1
41	54-2060	Bellcrank Assembly (Incl. Ref. #25 & 42)	1
42	46-6680	Bushing - Flanged	2
43	59-1470	Shaft - Bellcrank	1
44	46-8560	Screw - Thread Forming	2
45	3256-23	Washer - Flat	2

*Not Illustrated

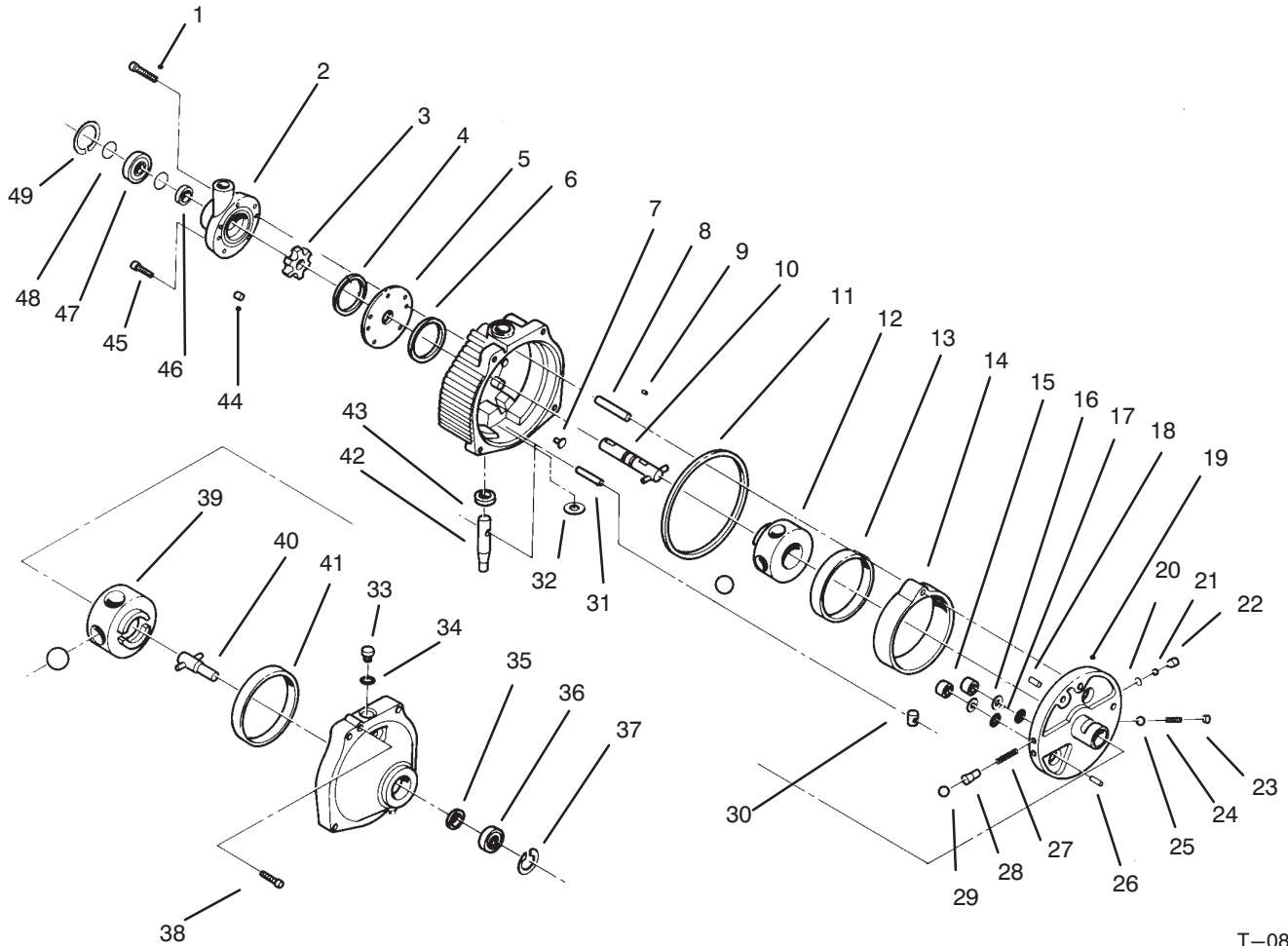


TRANSMISSION ASSEMBLY

Ref. No.	Part No.	Description	No. Used
1	32120-64	Ring - Snap	1
2	55-4320	Gasket	
3	54-0320	Gear	1
4	54-0080	Transmission - Hydrostatic	1
5	3257-24	Key - Woodruff	1
6	353-370	Fitting - Hydraulic 90° (Incl. Ref. #49)	2
7	237-79	"O"Ring	2
8	3256-68	Washer	1
9	76-9430	Spring - Extension (Ref.)	
10	302-60	Fitting - Grease 90°	
11	92-6289	Swing Arm Assembly * (Incl. 256-113 Bushings (2))	1
12	3-6498	Washer	1
13	76-8640	Stud - Traction	1
14	3296-29	Nut - Lock	A/R
15	322-6	Screw - Hex. Hd.	2
16	3217-6	Nut	4
17	322-7	Screw - Hex. Hd.	1
19	251-307	Bearing	2
20	92-6290	Spacer	1
22	75-5470	Spacer Bearing	1
25	3296-9	Nut	2
26	29-6163	Switch	1

Ref. No.	Part No.	Description	No. Used
27	75-4130	Spacer	2
28	92-6269	Lever - Traction	2
29	3296-25	Nut	1
30	2411-34	Joint - Ball	1
31	3220-1	Nut - Hex. Jam	1
32	3296-3	Nut - Lock	1
33	3250-46	Screw	2
34	323-14	Screw - Hex. Hd.	2
35	353-511	Fitting - Hydraulic 90° (Incl. Ref. #7)	2
36	3257-5	Key - Woodruff	3
37	3241-2	Screw - Set	2
38	54-0930	Pulley - Transmission	1
39	3253-5	Washer - Lock	4
40	54-0240	Fan	1
41	3256-55	Washer	1
42	3253-3	Washer - Lock	1
43	321-2	Screw - Hex. Hd.	1
44	32144-19	Screw - Round Hd.	3
45	3255-5	Washer - Lock	3
46	323-13	Screw - Hex. Hd.	1
47	323-16	Screw - Hex. Hd.	1
49	237-80	"O"Ring	2
50	92-6270	Plate - Traction	1

*Not Illustrated

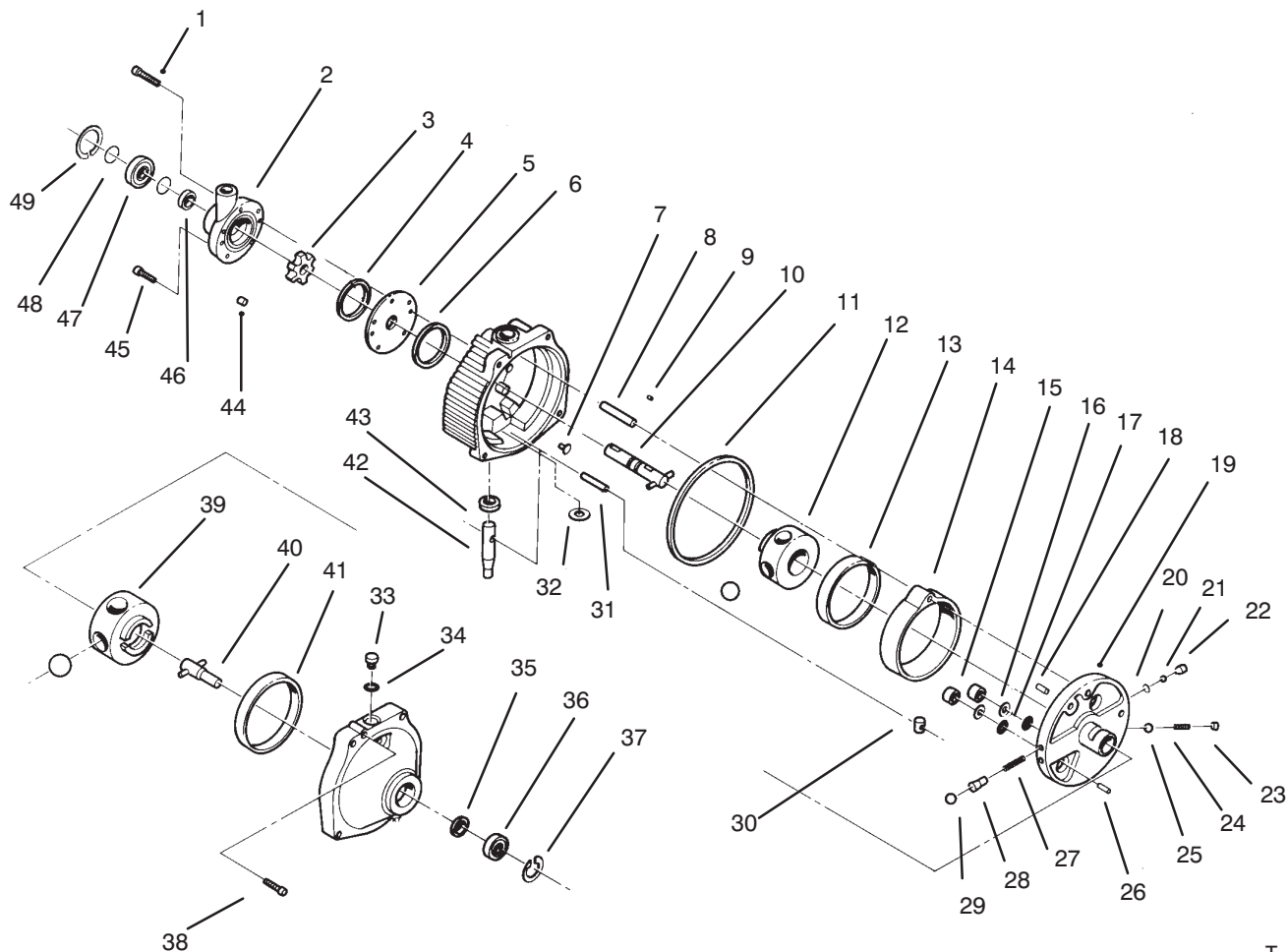


T-0883

HYDROSTATIC TRANSMISSION ASSEMBLY

Ref. No.	Part No.	Description	No. Used
1	56-2800	Screw - Hex. Socket Hd.	1
2	56-2830	Charge Pump Assembly (Incl. Ref. #1)	1
3	56-3120	Carrier	1
4	56-2850	Ring - Seal	1
5	56-2860	Plate - Pump	1
6	56-2870	Ring - Seal	1
7	56-2880	Button	2
8	56-2890	Pin - Dowel	1
9	56-2900	Pin - Drive	1
10	56-2910	Input Shaft Assembly	1
11	56-2920	Ring - Seal	1
12	56-2930	Pump Rotor & Ball Assembly	1
13		Race - Pump	1
14	56-2940	Cam Ring Assembly (Incl. Ref. #13)	1
15	56-2950	Piston	2
16	56-2960	Ring - Backup	2

Ref. No.	Part No.	Description	No. Used
17	56-2970	"O" Ring	2
18	56-2980	Pin - Coil	1
19	56-2990	Pintle Assembly (Incl. Ref. #15-18, 20, 22-26 & 27-29)	1
20	56-3000	Ring - Retaining	2
21	56-3010	Ball	2
22	56-3020	Body - Check Valve	2
23	56-3050	Plug - Relief Valve	1
24	56-3040	Spring - Relief Valve	1
25	56-3030	Ball	1
26	56-3060	Pin - Dowel	1
27	56-3180	Spring - Valve	2
28	56-3200	Body - Valve	2
29	56-3210	Ball	2
30	56-3170	Insert - Cam Ring	1
31		Dowel	1
32		Washer - Control Shaft	1



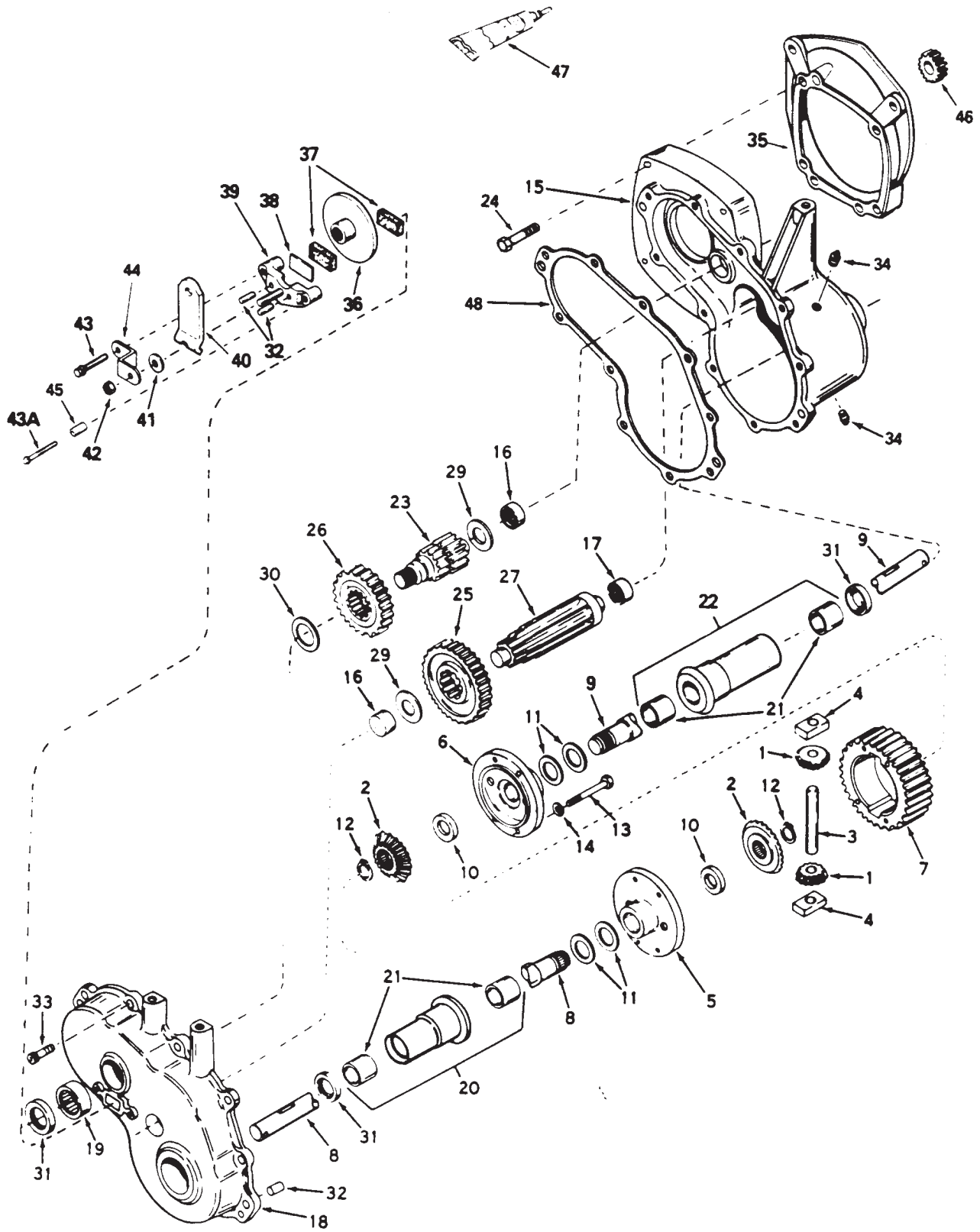
T-0083

HYDROSTATIC TRANSMISSION ASSEMBLY (Continued)

Ref. No.	Part No.	Description	No. Used
33	56-3250	Plug Assembly (Incl. Ref. #34)	1
34	56-3260	"O"Ring	1
35	56-3270	Seal - Oil	1
36	56-3280	Bearing - Output	1
37	56-3290	Ring - Retaining	1
38	56-3300	Screw - Hex. Socket Hd.	2
39	56-3220	Motor Rotor & Ball Assembly	1
40	56-3230	Output Shaft Assembly	1
41	56-3240	Race - Motor	1
42	56-3140	Control Shaft Kit	

Ref. No.	Part No.	Description	No. Used
		(Incl. Ref. #31 & 32)	1
43	56-3130	Seal - Oil	1
44	56-3110	Pin - Roll	6
45	56-3100	Screw - Hex. Socket Hd.	4
46	56-2820	Seal - Oil	1
47	56-2810	Bearing - Input	1
48	56-3090	Ring - Retaining	2
49	56-3080	Ring - Retaining	1
*	56-3310	Kit - Overhaul Seal (Incl. Ref. #4, 6, 11, 16, 17, 34, 35, 43 & 46)	1

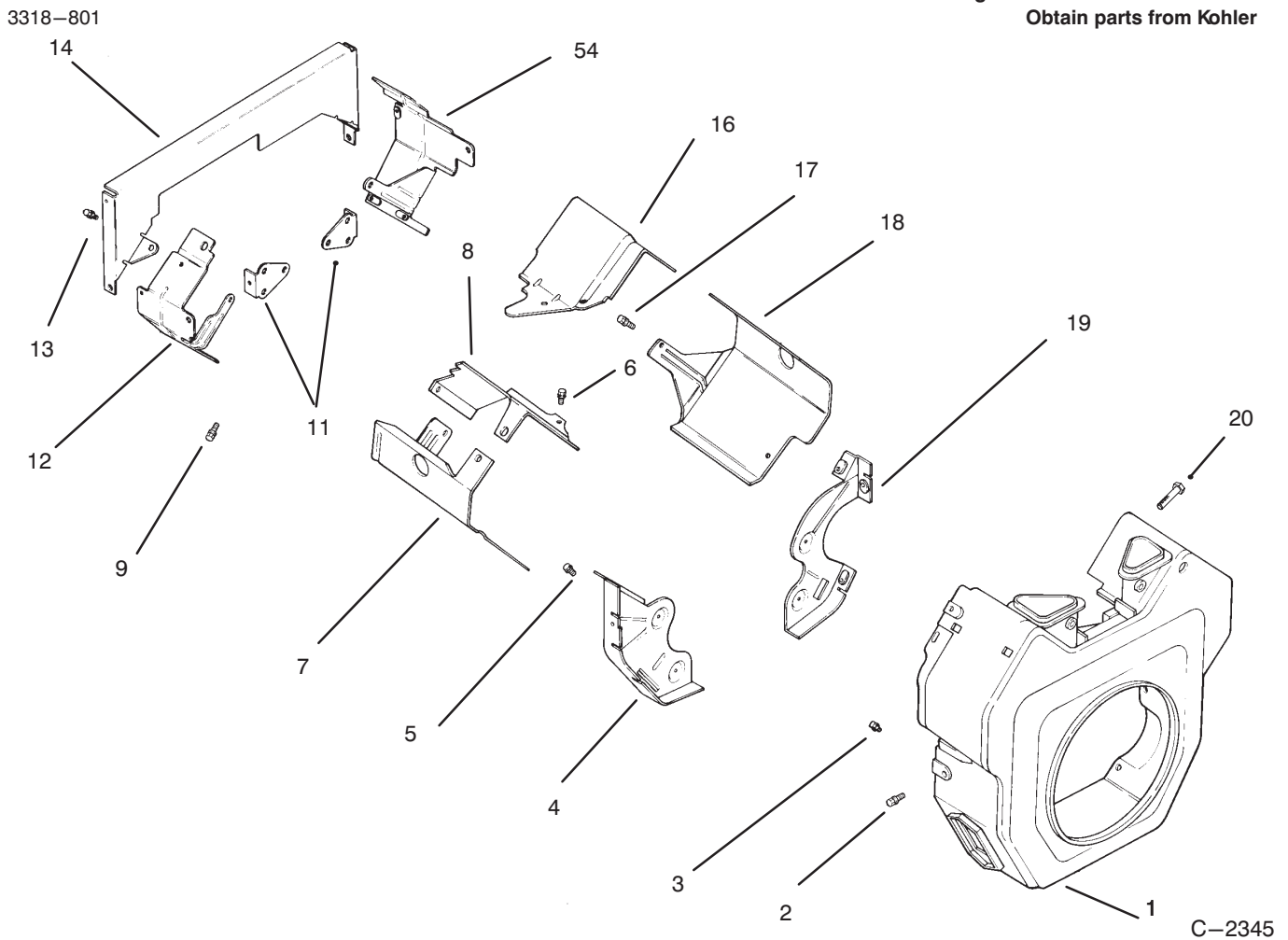
DIFFERENTIAL ASSEMBLY NO. 1310-001A



DIFFERENTIAL ASSEMBLY NO. 1310-001A

Ref. No.	Part No.	Description	No. Used
1	778197	Pinion – Bevel	1
2	778198	Gear – Bevel	1
3	786019	Pin – Drive	1
4	786027	Block – Drive	1
5	774028A	Carrier – Differential	1
6	774029A	Carrier – Differential	1
7	778033A	Gear – Ring	1
8	774607	Axle – 16-5/8"	1
9	774608	Axle – 21-57/64"	1
10	780107	Washer	1
11	780042	Washer – Thrust	1
12	792018	Ring – Snap	1
13	792020	Screw – Hex. Hd.	1
14	792006	Washer – Lock	1
15	770080	Case Assembly (Incl. Ref. #16 & 17)	1
16	780013	Bearing – Needle	1
17	780088	Bearing – Needle	1
18	772085	Cover Assembly (Incl. Ref. #16 & 19)	1
19	780089	Bearing 0 Needle	1
20	782041A	Housing Assembly-6-5/8" (Incl. Ref. #21)	1
21	780054	Bushing	1
22	782042A	Housing Assembly-8-5/8" (Incl. Ref. #21)	1

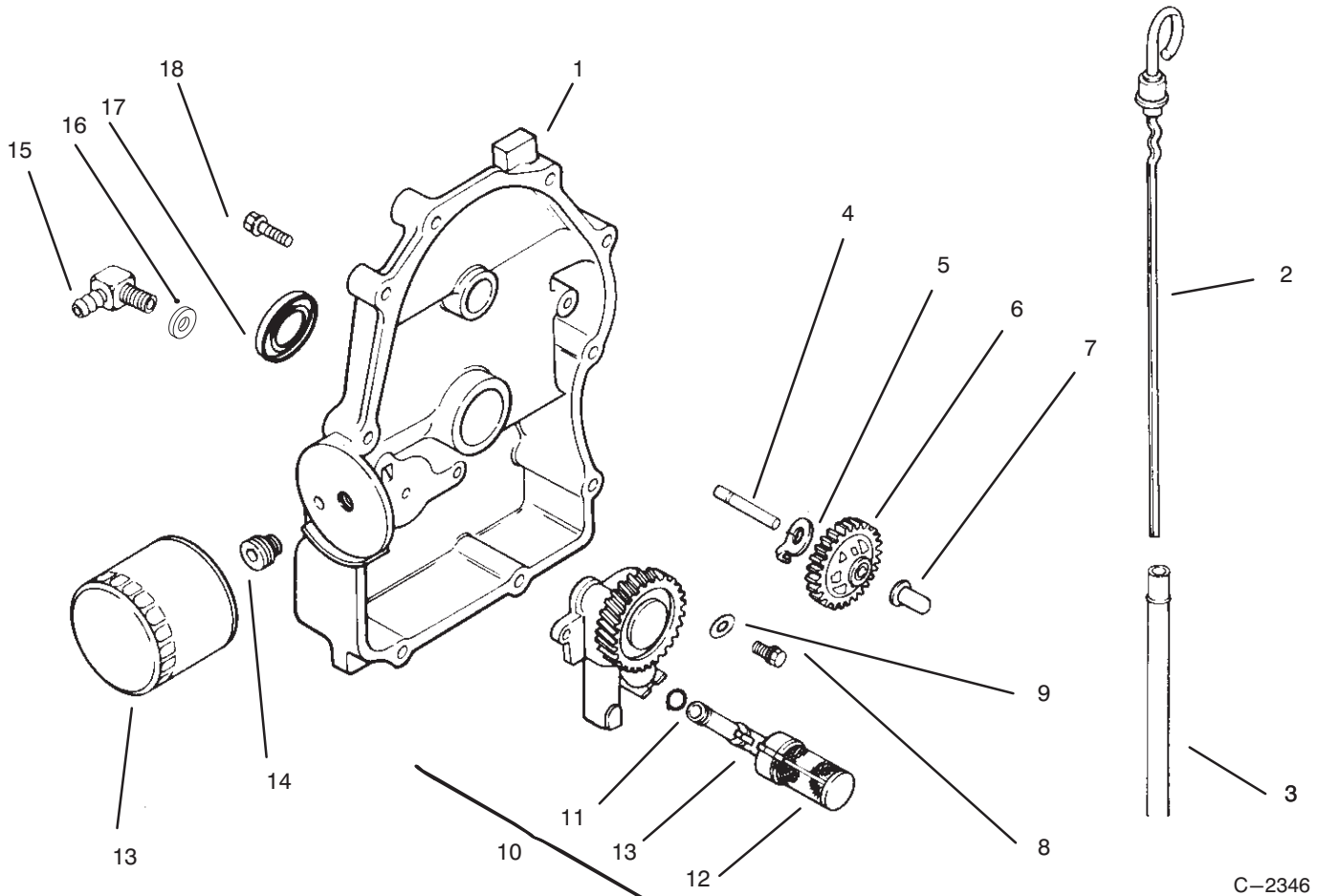
Ref. No.	Part No.	Description	No. Used
23	776245	Shaft – Brake	1
24	79-2120	Screw – Hex. Hd.	1
25	778036	Gear – Output	1
26	778037	Gear – Idler	1
27	776244	Shaft – Output	1
29	780001	Washer	1
30	780090	Washer	1
31	788008	Seal – Oil	1
32	786026	Pin – Dowel	1
33	792046	Screw – Thread Forming	1
34	792010	Plug – Pipe	1
35	786112	Plate – Adapter	1
36	790027	Disc – Brake	1
37	790006	Pad – Brake	1
38	790007	Plate – Brake Pad	1
39	790025	Holder – Brake Pad	1
40	790010	Lever – Brake	1
41	792076	Washer – Flat	1
42	792075	Nut – Lock	1
43	792073	Screw – Thread Forming	1
43A	792085	Screw – Thread Forming	1
44	786086	Bracket	1
45	786066	Spacer	1
46	778194	Gear – Spur 22T	1
47	510334	Gasket Eliminator	1
48	788044	Gasket	1



BAFFLES & SHROUD

Ref. No.	Part No.	Description	No. Used
1	24 027 21	Housing – Blower	1
2	SM-0545016	Screw	5
3	M-0551016	Screw	1
4	24 146 02	Plate – Backing #2 side	1
5	M-0645016	Screw	4
6	M-0645016	Screw	2
7	24 063 20	Baffle – Cylinder Barrel # 2 side	1
8	24 063 17	Baffle – Valley #2 side	1
9	M-0545010	Screw	2
*10	24 755 14	Kit – "Q"Duct (Incl. Ref. # 11-15)	1
11	24 126 04	Bracket – Support	2

Ref. No.	Part No.	Description	No. Used
12	24 063 12	Baffle, – Ducted Air # 1 side	1
13	M-0639010	Screw	8
14	24 146 04	Plat – Ducted Air Backing	1
15	24 063 13	Baffle – Ducted air # 1 side	1
16	24 063 24	Baffle, Valley 1 side	1
17	SM-0545016	Screw	2
18	24 063 08	Baffle – Cylinder Barrel # 1 side	1
19	24 146 08	Plate – Backing #1 side	1
20	M-0545020	Screw	2



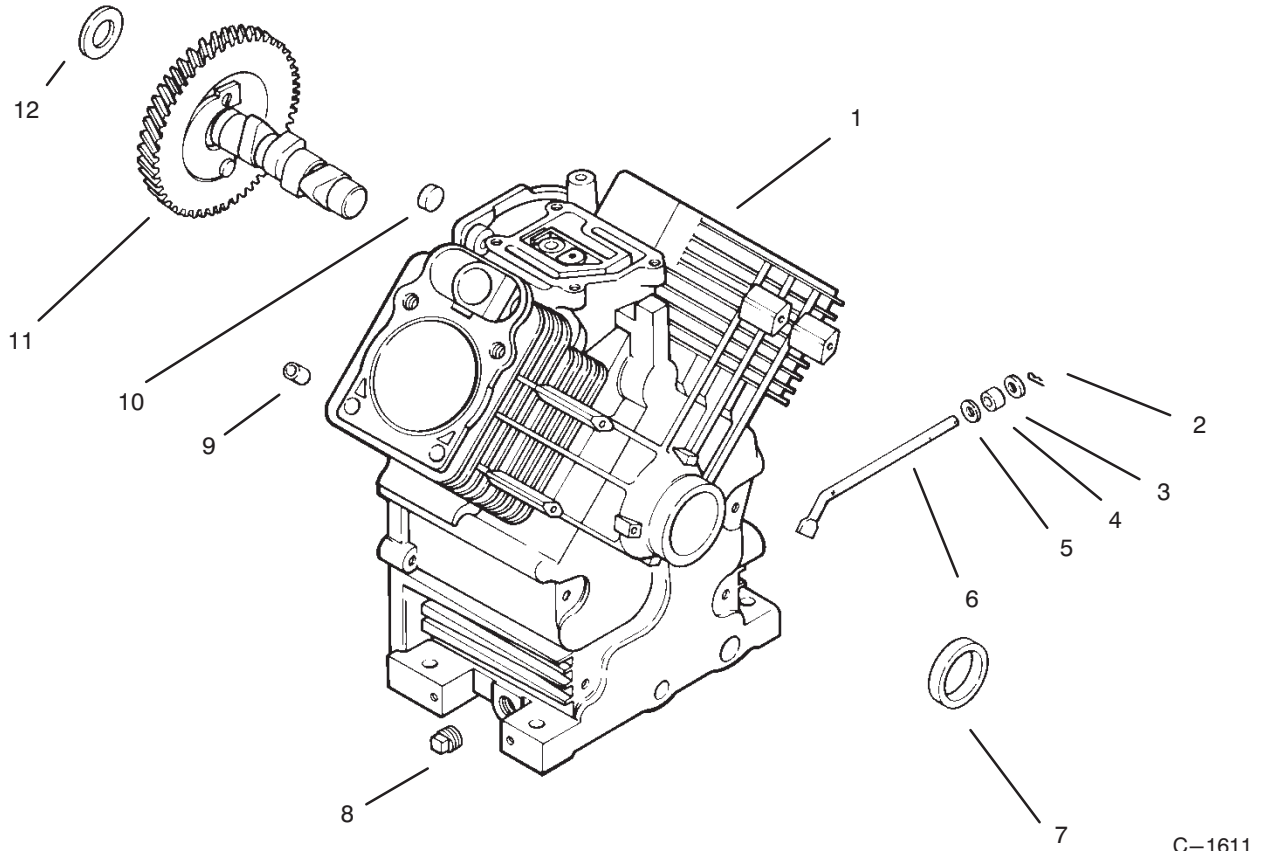
C-2346

OIL PAN/LUBRICATION

Ref. No.	Part No.	Description	No. Used
1	24 009 83	Plate – Closure (Incl. Ref. # 2-7, 10-12, 16 & !7)	1
2	24 038 01	Dipstick	1
3	24 123 04	Tube – Dipstick	1
4	12 144 02	Shaft – Governor Gear	1
5	52 448 02	Tab – Locking	1
6	24 043 12	Kit – Governor Gear Assembly (Incl. Ref. # 7)	1
7	12 380 01	Pin – Governor Regulating	1
8	M-0645025	Screw	2
9	M-0631005	Washer – Flat	2

Ref. No.	Part No.	Description	No. Used
10	24 393 03	Oil Pump Assembly (Incl. Ref. # 11-12)	1
11	24 153 01	"O"Ring	1
12	24 381 01	Pick-up, Oil	1
13	12 050 01	Filter – Oil	1
14	24 136 01	Adapter – Oil Filter	1
15	25 155 02	Connector, 90° Hose	1
16	24 153 08	"O"Ring	1
17	52 032 08	Seal – Oil (PTO End)	1
18	24 086 16	Screw	10

*Not Illustrated

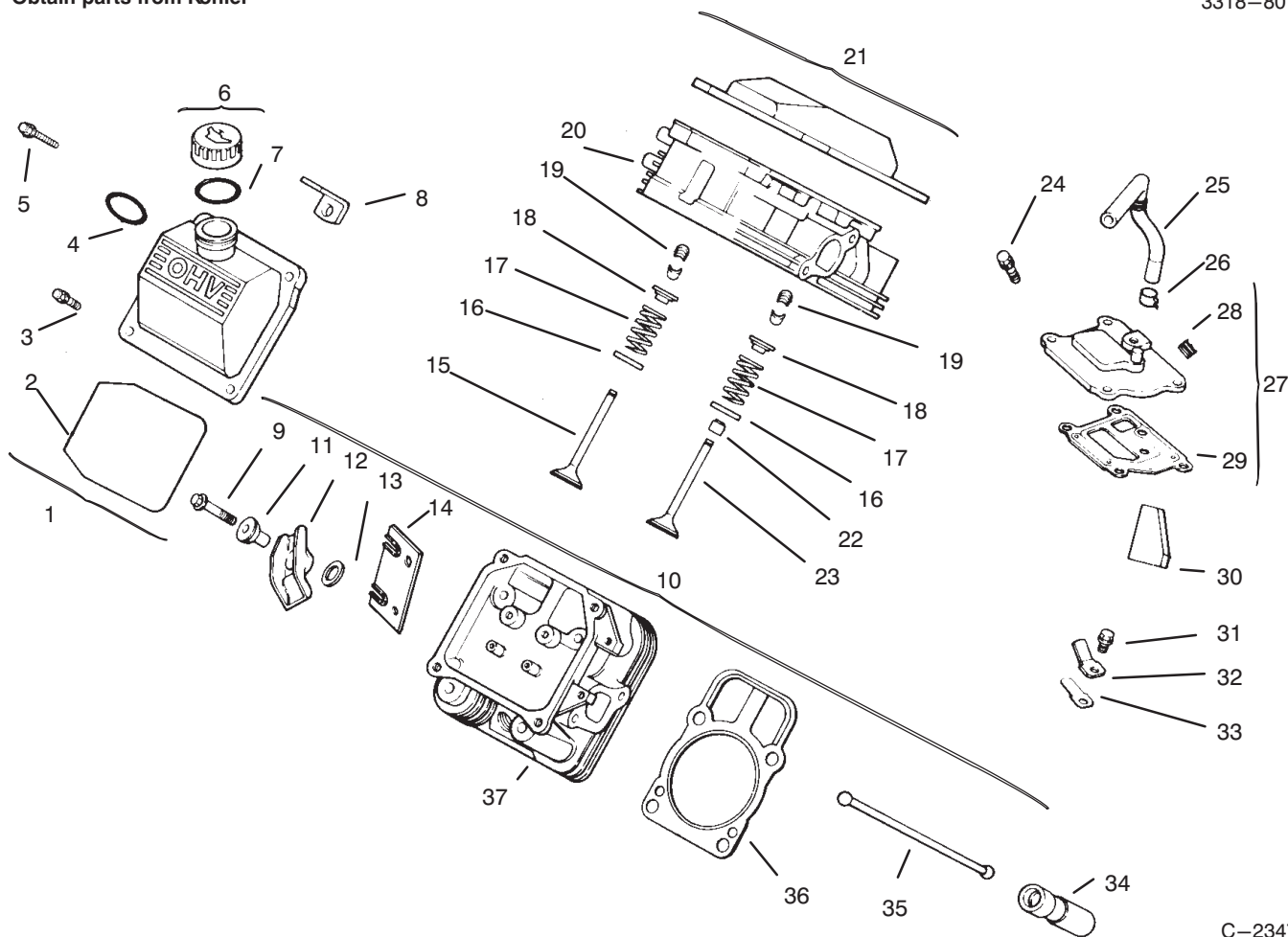


CRANKCASE

Ref. No.	Part No.	Description	No. Used
1		Cylinder block (Use Miniblock 24 782 01)	1
2	12 380 04	Pin – Hitch	1
3	X-25-102	Washer– Plain	1
4	12 032 01	Seal – Governor Cross Shaft	1
5	X-25-63	Washer	1
6	24 144 01	Shaft – Governor Cross	1
7	24 032 01	Seal – Oil	1
8	X-75-10	Plug, Sq. Hd.	2
9	12 380 03	Pin – Dowel	6
10	52 139 09	Plug – Cup	1

Ref. No.	Part No.	Description	No. Used
11	24 012 05	Camshaft	1
12	12 422 09	Shim – Camshaft, Green	A/R
*	12 422 13	Shim – Camshaft, Black	A/R
*	12 422 07	Shim – Camshaft, White	A/R
*	12 422 08	Shim – Camshaft, Blue	A/R
*	12 422 10	Shim – Camshaft, Yellow	A/R
*	12 422 11	Shim – Camshaft, Red	A/R
*	12 422 12	Shim – Camshaft, Gray	A/R
*	24 782 01	Short Block	1
*	24 755 03	Set – Gasket	1

*Not Illustrated

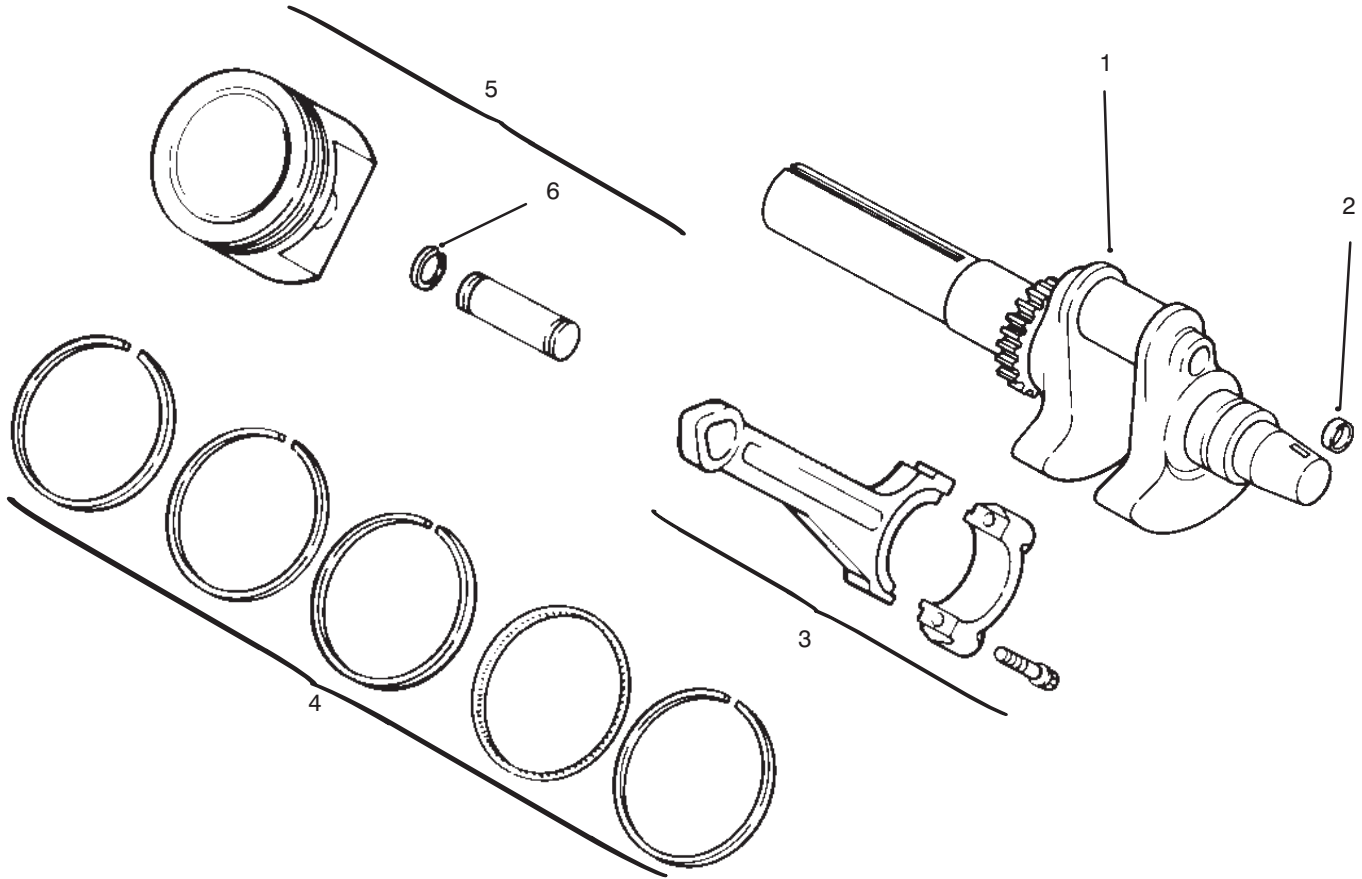


C-2347

CYLINDER HEAD, VALVE & BREATHER

Ref. No.	Part No.	Description	No. Used
1	24 755 75	Kit – Valve Cover (Incl. Ref. #2-4)	1
2	24 153 12	"O"Ring	1
3	24 086 32	Screw – Shoulder	4
4	24 153 09	"O"Ring	1
5	12 086 16	Screw	8
6	25 755 13	Kit – Oil Fill Cap (Incl. Ref. #7)	1
7	12 153 03	"O"Ring	1
8	24 445 01	Strap – Lifting	1
9	M-0640034	Screw	4
10	24 755 61	Kit – Valve Train (Incl. Ref. # 11-14 & 35)	1
11	24 194 02	Pivot – Rocker Arm	4
12	24 186 03	Arm – Rocker	4
13	M-0631005	Washer – Plain	4
14	24 146 09	Plate – Guide	2
15	24 016 01	Valve – Exhaust (Std.)	2
*	24 016 02	Valve – Exhaust (.25)	2
16	235011	Retainer – Spring	4
17	24 089 02	Spring – Valve	4
18	12 173 01	Cap – Valve Spring	4
19	12 755 03	Kit – Retainer	4

Ref. No.	Part No.	Description	No. Used
20	24 318 09	Head Assembly (# 1 Cylinder)	1
21	24 755 74	Kit – Valve Cover (Incl. Ref. # 2 & 3)	1
22	24 032 05	Seal – Valve Stem	2
23	24 017 01	Valve – Intake (Std.)	2
*	24 017 02	Valve – Intake (.25)	2
24	M-0645020	Screw	4
25	24 326 06	Hose – Breather	1
26	X-426-9	Clamp – Breather	1
27	24 033 01	Kit – Breather w/Plug (Incl. Ref. # 28 & 29)	1
28	X-75-23	Plug	1
29	24 041 23	Gasket – Breather	1
30	24 050 01	Filter – Breather	1
31	M-0545010	Screw	1
32	12 018 01	Retainer – Reed	1
33	24 402 03	Reed	1
34	12 351 01	Lifter – Valve	4
35	24 411 04	Rod – Push	4
36	24 041 08	Gasket – Cylinder Head	2
37	24 318 10	Head – Assembly (# 2 Cylinder)	2



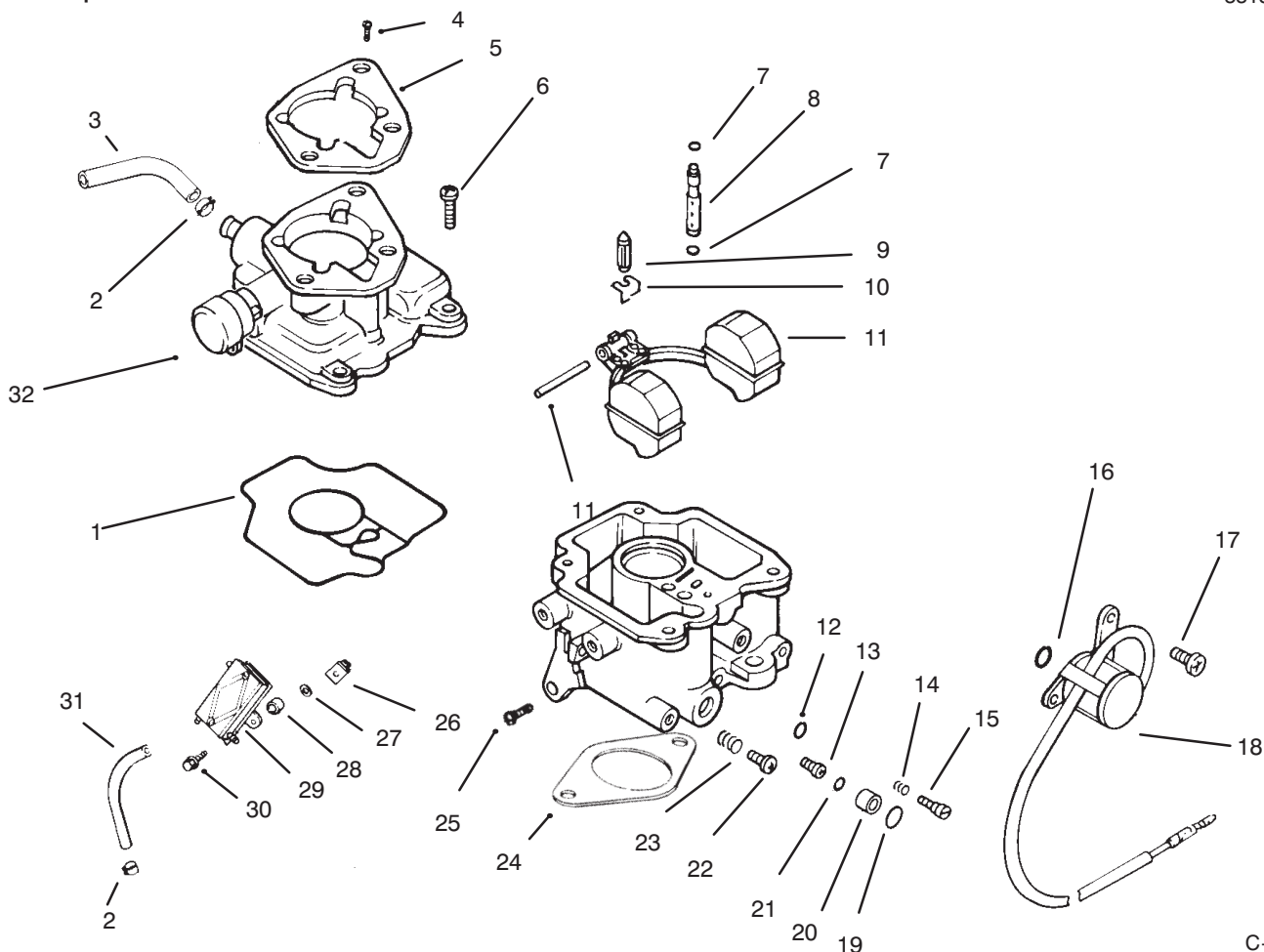
C-1613

CRANKSHAFT, PISTON AND RINGS

Ref. No.	Part No.	Description	No. Used
1	24 014 32	Crankshaft	1
2	12 139 01	Plug, cup	1
3	24 067 05	Connecting Rod (Std.)	2
*	24 067 06	Connecting Rod (.25)	2
4	24 108 01	Ring Set (Std.)	1
*	24 108 02	Ring Set (.25)	1

Ref. No.	Part No.	Description	No. Used
*	24 108 03	Ring Set (.50)	1
5	24 874 01	Piston w/Ring Set (Std.) (Incl. Ref. # 4-6)	2
*	24 874 02	Piston w/Ring Set (.25)	2
*	24 874 03	Piston w/Ring Set (.50)	2
6	24 018 01	Retainer - Piston Pin	4

*Not Illustrated



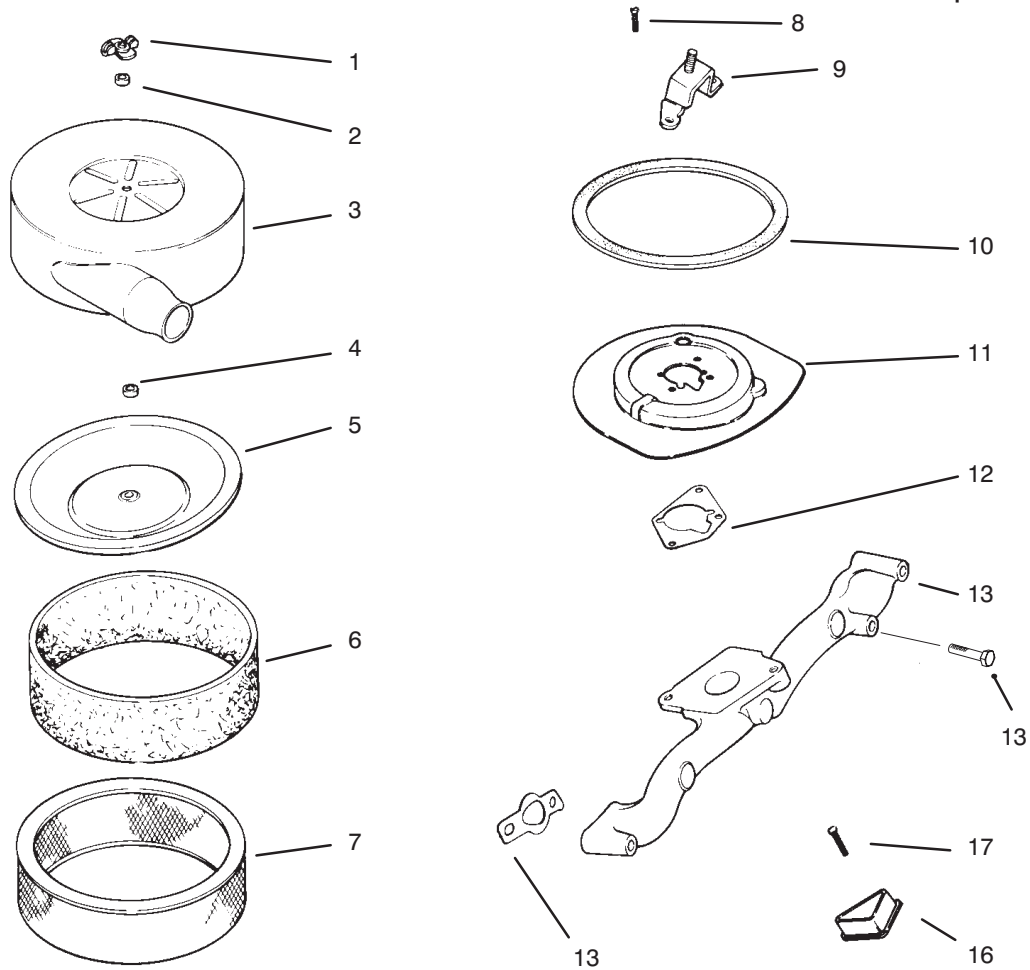
C-2348

CARBURETOR AND FUEL PUMP

Ref. No.	Part No.	Description	No. Used
1	24 041 09	Gasket – Carburetor Body	1
*	24 853 02	Kit – Carburetor w/Gasket (Incl. Ref. #1-15, 19-23 & 29)	1
2	X-426-9	Clamp – Hose	4
3	25 353 10	Line – Fuel 9"	1
4	M-0651030	Screw	2
5	24 041 06	Gasket – Air Cleaner	1
6	24 086 09	Screw	4
7	24 153 02	"O"Ring	2
8	24 337 01	Jet – Slow	1
9	24 462 01	Valve – Inlet Needle	1
10	24 154 01	Clip – Inlet Needle Valve	1
11	24 757 02	Kit – Float Repair	1
12	24 153 03	"O"Ring	1
13	24 337 02	Jet – Main	1
14	24 089 11	Spring – Idle Adjust	1
15	24 368 01	Needle – Idle Adjust	1
16	24 153 04	"O"Ring	1
17	24 086 07	Screw	2
18	24 435 01	Solenoid	1
19	24 153 05	"O"Ring	1
20	24 521 01	Seat – Solenoid	1

Ref. No.	Part No.	Description	No. Used
21	24 153 06	"O"Ring	1
22	24 086 10	Screw – Idle Speed Adjust	1
23	24 089 10	Spring – Idle Speed Adjust	1
24	24 041 17	Gasket – Carburetor	1
25	24 086 05	Screw – Throttle Stop	1
26	24 100 01	Nut	2
27	X-25-52	Washer	2
28	52 112 13	Spacer	2
29	24 393 04	Pump – Fuel, Pulse	1
30	24 086 31	Screw	2
31	24 353 02	Line – Fuel 15-1/2"	1
32	24 757 07	Kit – Choke Repair (Incl. Ref. # 33	1
*33	24 173 02	Cap – Choke Lever	1
*		Carburetor Assembly (Incl. Ref. # 1-25 & 32)	1
*	24 041 17	Gasket – Carburetor	1
*	24 757 03	Kit – Carburetor Repair	1
*	24 757 01	Kit – Solenoid Assembly	1
*	24 755 01	Kit – High Altitude (1500 meters)	1
*	24 755 02	Kit – High Altitude (3000 meters)	1

*Not Illustrated



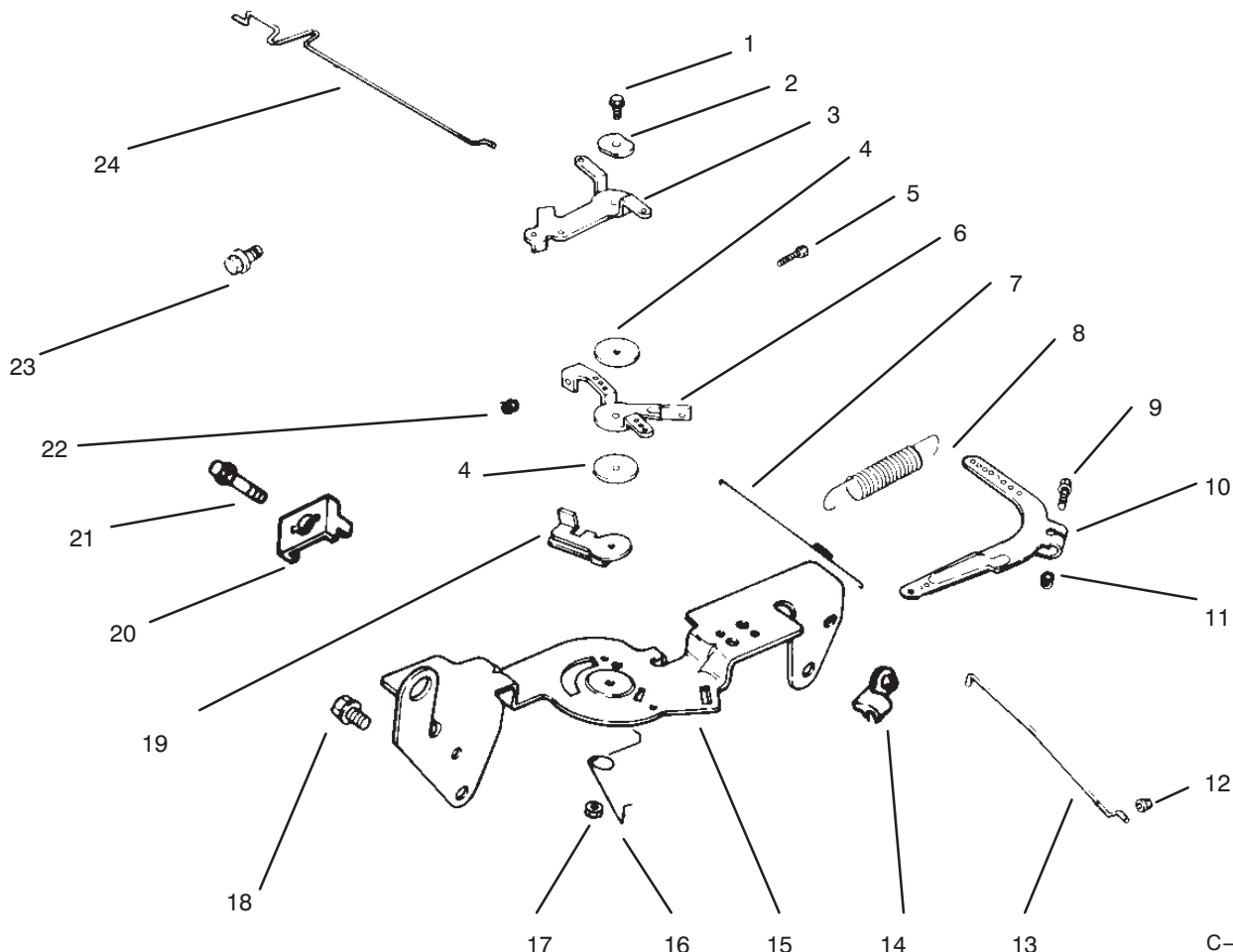
C-2349

AIR INTAKE/FILTRATION

Ref. No.	Part No.	Description	No. Used
1	12 100 01	Nut – Wing	2
2	230046	Seal – Air Filter	1
3	24 096 34	Cover – Air Cleaner	1
4	231032	Seal – Breather	1
5	24 096 01	Cover – Inner Air Cleaner	1
6	24 083 02	Element – Precleaner	1
7	47 083 03	Element – Air Cleaner	1
8	M-0639016	Screw	3
9	24 126 22	Bracket – Air Cleaner	1

Ref. No.	Part No.	Description	No. Used
10	24 032 07	Seal – Air Cleaner	1
11	24 094 05	Base – Air Cleaner	1
12	24 041 06	Gasket – Air Cleaner	1
13	24 041 01	Gasket – Intake Manifold	2
14	M-0639055	Screw	4
15	24 164 14	Manifold	1
16	24 096 17	Cover – Blower Housing	2
17	15 086 09	Screw	2
*	24 113 17	Decal – Maintenance	1

*Not Illustrated

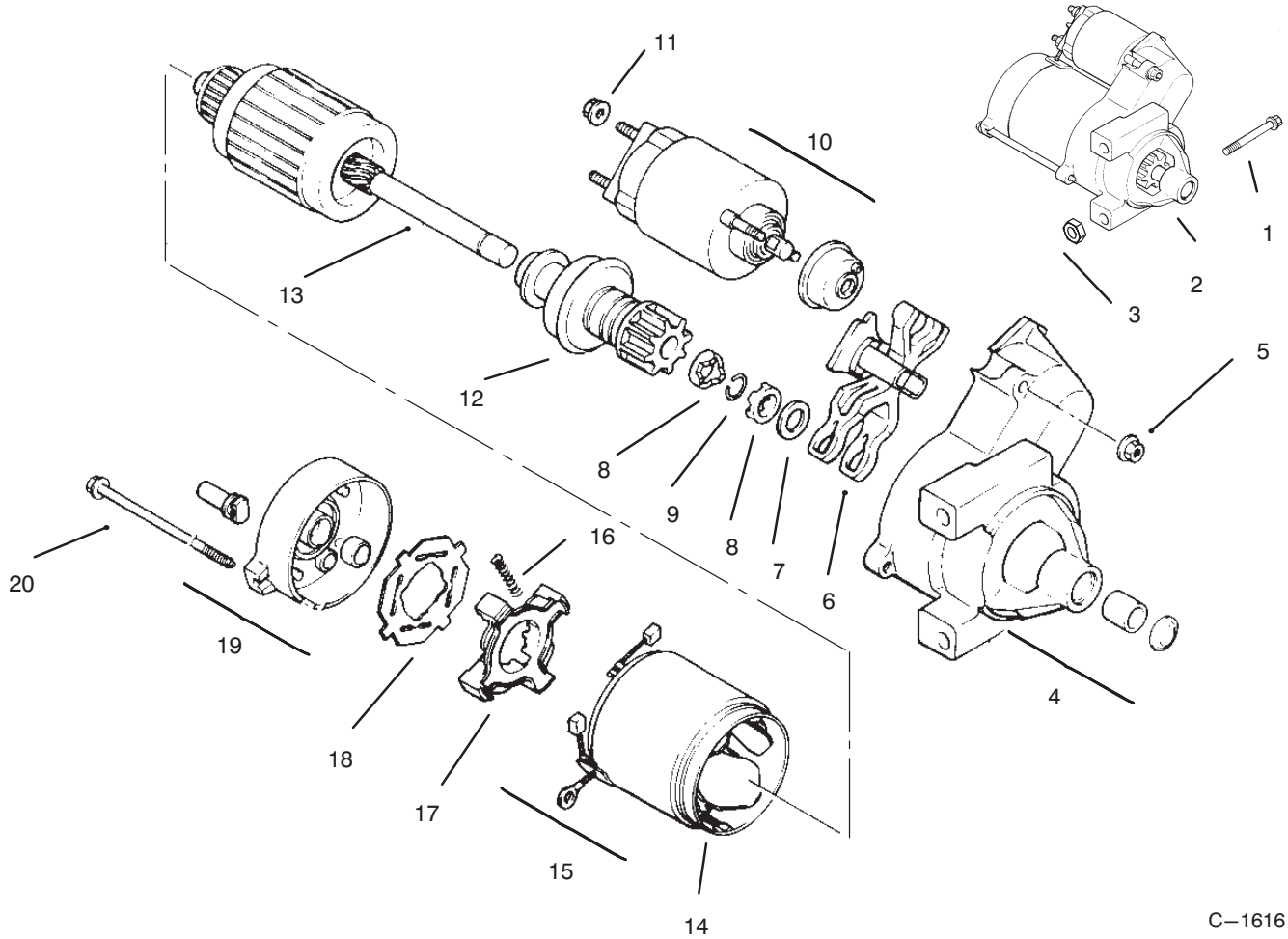


C-1615

THROTTLE LINKAGE AND GOVERNOR CONTROLS

Ref. No.	Part No.	Description	No. Used	Ref. No.	Part No.	Description	No. Used
1	SM-0545020	Screw	1	13	24 079 01	Linkage – Throttle	1
2	41 468 03	Washer – Wave	1	14	25 158 11	Bushing – Linkage	1
3	24 090 05	Lever – Choke	1	15	24 126 13	Bracket – Control	1
4	24 468 01	Washer	3	17	M-0547050	Nut	1
5	M-0401025	Screw	1	16	24 089 03	Spring – Choke Return	1
7	24 089 01	Spring – Linkage	1	18	SM-0645016	Screw	4
6	24 090 03	Lever – Throttle Control	1	19	24 090 07	Lever – Throttle Actuator	1
8	24 089 18	Spring – Governor	1	20	12 237 01	Clamp – Cable	2
9	SM-0642025	Screw	1	21	SM-0545016	Screw	2
10	24 090 14	Lever – Governor	1	22	M-0446030	Nut	1
11	SM-0641060	Nut	1	23	SM-0545016	Screw	1
12	25 158 08	Bushing – Linkage	1	24	24 079 02	Linkage – Choke	1

*Not Illustrated

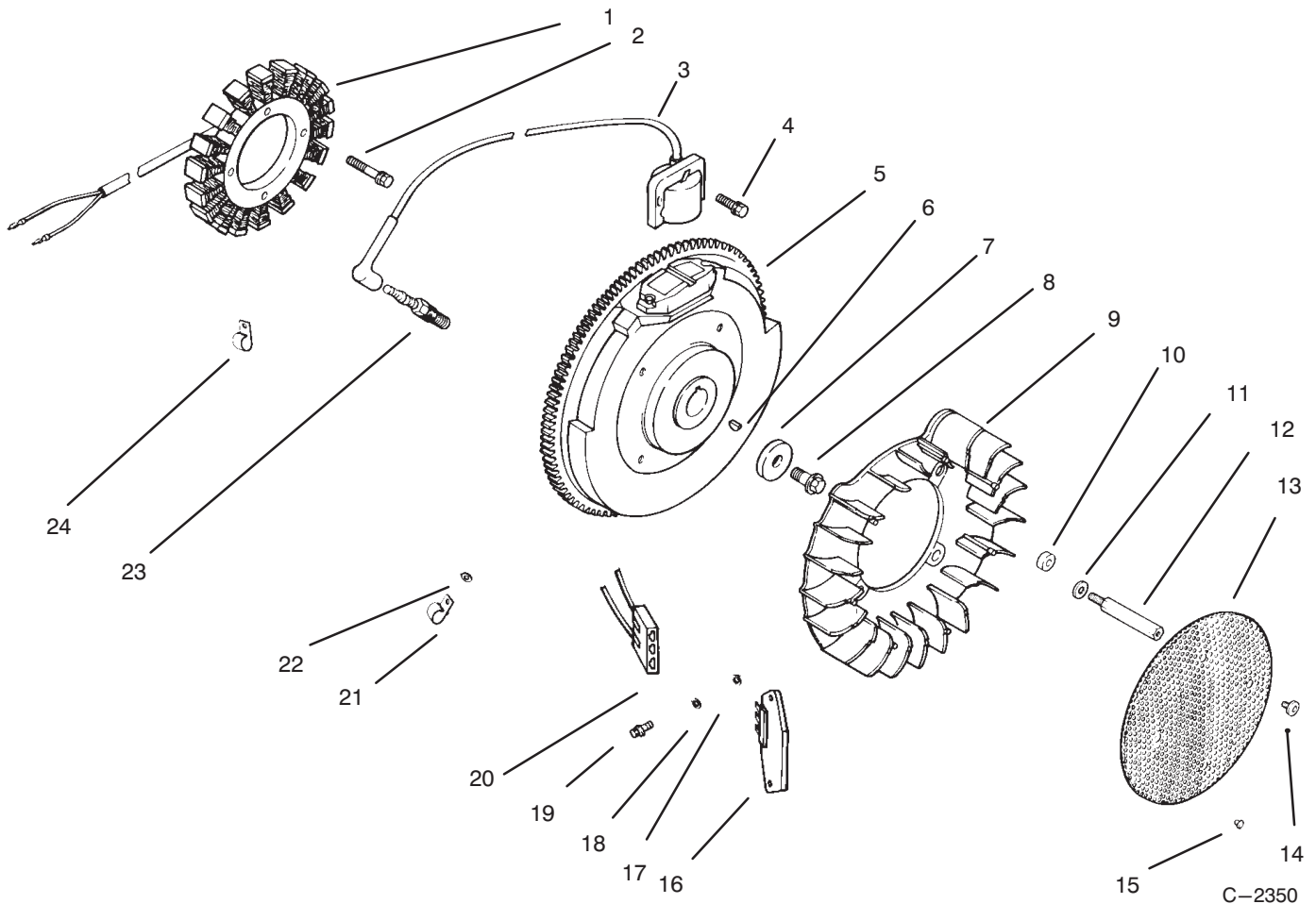


C-1616

STARTER

Ref. No.	Part No.	Description	No. Used
1	SM-0839080	Screw	2
2	24 098 01	Starter - Solenoid Shift (Incl. Ref. # 4-20)	1
3	M-0841080	Nut	1
4	24 081 04	Cap - Drive End	1
5	52 100 10	Nut - Starter	2
6	12 090 10	Lever - Starter Drive	1
7	52 468 14	Washer - Thrust	1
8	52 100 08	Nut - Stop Collar	2
9	52 141 03	Ring - Retainer	1
10	52 435 02	Solenoid	1

Ref. No.	Part No.	Description	No. Used
11	52 100 09	Nut	1
12	12 239 01	Drive - Pinion	1
13	12 170 03	Armature - Starter	1
14	12 471 01	Frame	1
15	52 221 01	Kit - Brush (Incl. Ref. # 16)	1
16	52 089 09	Spring - Brush	4
17	52 323 03	Holder - Brush	1
18	52 168 01	Insulator	1
19	12 301 01	Cap - Commutator End	1
20	52 211 05	Bolt	2

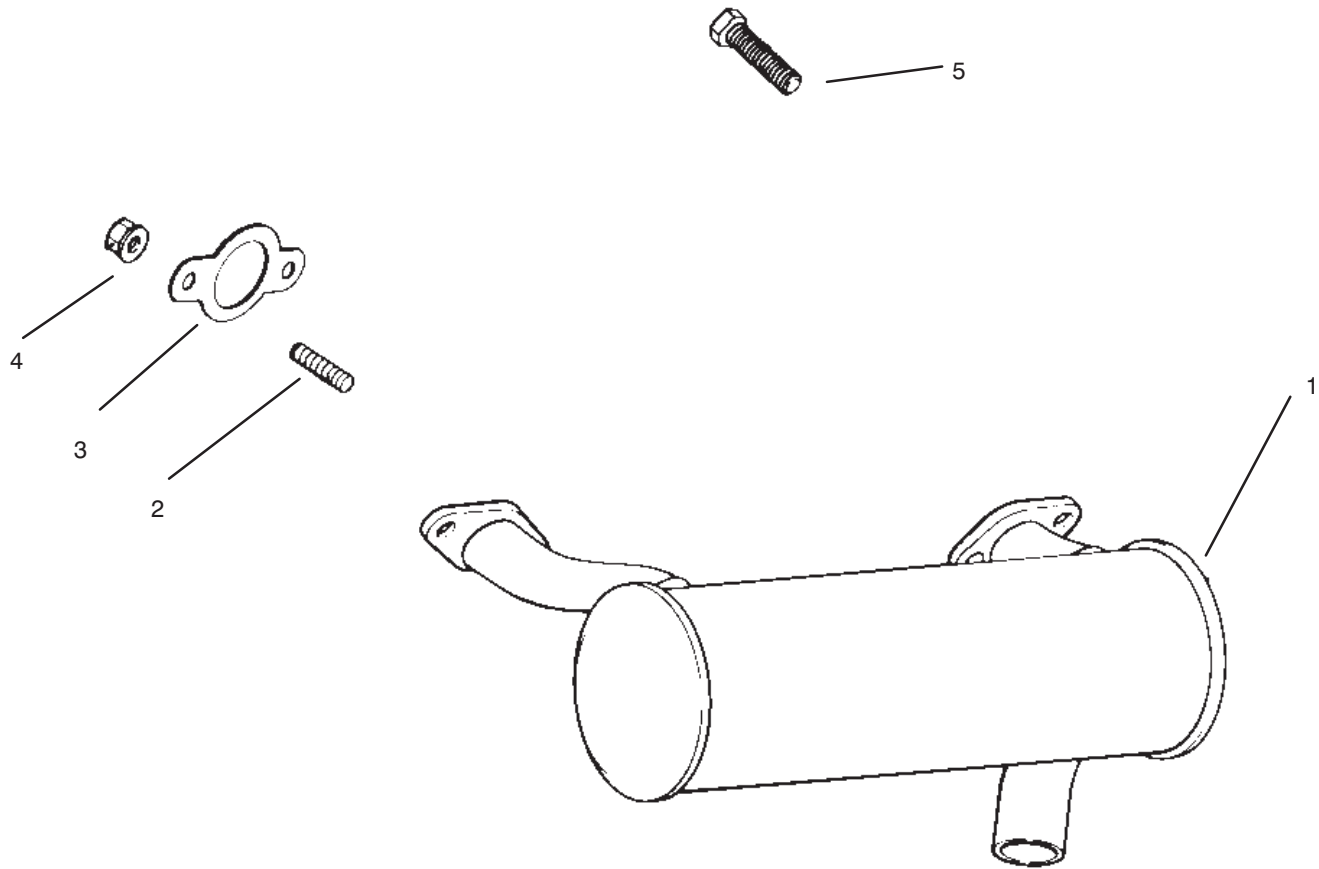


IGNITION AND CHARGING SYSTEM

Ref. No.	Part No.	Description	No. Used
1	24 085 01	Stator – 15 amp	1
2	M-0548025	Screw	2
3	24 584 01	Module – Ignition	2
4	SM-0545020	Screw	4
5	24 025 01	Flywheel Assembly	1
6	X-42-15	Key	1
7	12 468 03	Washer	1
8	12 086 14	Screw	1
9	24 157 01	Fan	1
10	12 112 01	Spacer – Fan	4
11	X-25-53	Washer	4
12	24 072 01	Stud – Grass Screen	4
13	24 162 13	Screen – Grass	1

Ref. No.	Part No.	Description	No. Used
14	M-0657010	Screw	4
15	25 086 43	Screw – Set	1
16	25 403 03	Regulator – Rectifier	1
17	X-25-63	Washer	1
18	X-25-92	Washer	2
19	24 086 18	Screw	2
20	236602	Connector	1
21	235173	Clip – Cable	1
22	X-25-63	Washer	1
23	12 132 02	Spark Plug	2
24	48 154 02	Clip – Cable	1
*	24 176 40	Harness – Wiring	1
*	24 518 04	Lead – Green,18 Gauge	1

*Not Illustrated



C-1618

EXHAUST

Ref. No.	Part No.	Description	No. Used
1	24 068 11	Muffler	1
2	M-0829033	Stud - Muffler	4
3	24 041 02	Gasket - Exhaust	2

Ref. No.	Part No.	Description	No. Used
4	M-0841080	Nut	4
5	M-0839020	Screw	1

TORO PART NUMBER INDEX

3318-801

Part No.	Description	Pg. No.	Ref. No.	Qty.	Part No.	Description	Pg. No.	Ref. No.	Qty.
102950	Washer	2	72	1	46-8560	Screw - Thread Forming	18	44	2
105805	Nut	2	73	1	47-1980	Cover Steering Shaft	2	31	1
109989	Spacer	9	3	4	48-7610	Screw	14	4	5
113050	Cover - P.T.O. Switch	2	39	1	49-6430	Pad - Reverse	1	12	1
113179	Nut	2	38	1	49-6470	Pad - Accelerator	1	4	1
114263	Spring - Seat	9	9	2	51-0780	Slide Seat Assembly R.H.	9	*	1
116716	Switch - Clutch & Brake	2	41	1	51-0790	Slide Seat Adjust Assembly	9	2	1
3-6498	Washer	19	12	1	53-4430	Decal - Oil	6	51	1
3-6498	Washer - Thrust	3	8	5	54-0080	Transmission - Hydrostatic	19	4	1
3-6498	Washer - Thrust	2	52	2	54-0090	Valve Assembly	8	23	1
5-0930	Key	14	21	1	54-0110	Filter - Transmission Oil	5	44	1
11-4659	Air Cleaner Assembly	8	27	1	54-0140	Hub - Wheel	4	2	2
12-1109	Lever - Idler	11	27	1	54-0150	Cylinder - Lift	11	18	1
12-5950	Rod - Battery Support	13	18	1	54-0220	Assembly - Clutch	14	16	1
13-5969	Differential Assembly	18	21	1	54-0230	Field Assembly	15	1	1
14-4109	Hood	13	3	1	54-0240	Fan	19	40	1
19-1470	Bolt - Shoulder	5	41	2	54-0260	Spool	10	1	1
21-9260	Cover - Dust	1	21	1	54-0280	Shaft	12	13	1
22-8330	Plug	10	19	1	54-0290	Seal Repair Kit	12	*	1
22-8340	Spring	10	21	1	54-0300	Piston	12	3	1
22-8350	Ball	10	22	1	54-0310	Head	12	6	1
22-8360	Pin - Cam	10	24	1	54-0320	Gear	19	3	1
22-8370	Seat - Check Valve	10	23	1	54-0330	Frame - Rear	3	13	1
22-8380	Retainer - Spring	10	3	2	54-0450	Axle Stand R.H.	6	60	1
22-8410	Spring	10	4	1	54-0460	Axle Stand - L.H.	5	39	1
22-8480	Ring - Retaining	10	6	1	54-0560	Spindle L. H.	3	22	1
22-8490	Ring - Retaining	10	7	1	54-0570	Spindle R.H.	3	7	1
22-8500	"O"Ring	10	2	2	54-0880	Decal - Tunnel	2	47	1
23-1120	Washer - Flat	6	58	2	54-0900	Decal - Lift Control	8	13	1
24-5790	Weight - Rear	3	17	1	54-0910	Decal - Warning	5	32	1
27-0410	Bolt - Shoulder	5	28	2	54-0920	Decal - Parking Brake	8	1	2
27-5200	Spacer	10	5	1	54-0930	Pulley - Transmission	19	38	1
27-6230	Bolt - Shoulder	11	31	1	54-0960	Spring - Parking Brake	11	42	1
27-9080	Bushing	1	1	3	54-1000	Tower - Top	1	24	1
27-9080	Bushing	11	6	4	54-1010	Channel - Front	5	45	1
27-9080	Bushing	3	31	2	54-1060	Bracket - Idler Mount	6	55	1
28-1120	Plug	10	18	1	54-1120	Bracket - Filter Head	6	64	1
28-2480	Washer - Flat	3	2	2	54-1130	Link - Idler Anchor	5	22	2
28-3894	Wire - Positive	14	29	1	54-1170	Spring - Extension	11	30	1
28-3940	Collar - Steering Shaft	2	45	2	54-1220	Support - Seat R.H.	8	8	1
29-0590	Screen	13	35	1	54-1260	Clamp - Battery	13	9	1
29-6163	Switch	19	26	1	54-1270	Bracket - Parking Brake	11	8	1
33-1300	Element Assembly	7	6	1	54-1340	Link - Steering	2	43	1
33-1310	Baffle	7	5	1	54-1380	JackShaft - VBelt	5	40	1
33-1320	Cup	7	4	1	54-1380	V-Belt	14	17	1
33-1330	Nut Assembly	7	3	1	54-1390	VBelt - Traction	6	59	1
33-1340	Clamp Assembly	7	2	1	54-1390	V-Belt	14	18	1
33-1350	Band Assembly	7	1	2	54-1410	Spring - Idler	5	21	2
36-3220	Pulley - Idler	11	26	1	54-1420	Shaft - Steering	2	30	1
36-4950	Cap - Oil	13	36	1	54-1440	Bracket - Tunnel	2	50	2
37-7250	Spacer	6	53	2	54-1451	Control - Throttle, Choke	1	25	2
43-5220	Ring - Retaining	12	12	1	54-1470	Footrest - L.H.	2	63	1
44-8160	Washer - Flat	14	14	1	54-1490	Rod - Steering	18	40	1
44-8310	Ring - Retaining	15	3	2	54-1491	Rod - Steering, Rear	3	29	1
44-8320	Spring	15	10	3	54-1550	Support - Hood	8	30	1
44-8330	Spacer - Bearing	15	6	1	54-1600	Jackshaft	18	29	1
44-8340	Collar - Bearing	15	7	1	54-1770	Bracket - Cable Traction	2	64	1
44-8360	Field Coil, Rotor & Bearing	15	4	1	54-1800	Plate - Engine Front	5	8	2
44-8370	Armature & Pulley Assembly	15	5	1	54-1810	Plate - Engine, Rear	5	11	2
46-6680	Bushing	3	9	6	54-1830	Support - Shield	5	25	1
46-6680	Bushing - Flanged	18	42	2	54-1850	Support - Battery	13	16	1
46-7510	Hood - Intake	7	10	1	54-1860	Stop - Hood Upper	13	6	2
46-8091	Screw	13	42	2	54-1870	Stop - Hood, Lower	5	31	2
46-8560	Screw	5	35	7	54-1880	Strap - Fuel Tank	13	4	2
46-8560	Screw - Hex. Hd.	1	5	26	54-1890	Foam - Tank	13	20	2

*Not Illustrated

TORO PART NUMBER INDEX (Cont.)

Part No.	Description	Pg. No.	Ref. No.	Qty.	Part No.	Description	Pg. No.	Ref. No.	Qty.
54-1900	Tower - Front	1	3	1	56-3010	Ball	20	21	2
54-1910	Channel - Side R.H.	5	6	1	56-3020	Body - Check Valve	20	22	2
54-1920	Channel - Side L.H.	5	33	1	56-3030	Ball	20	25	1
54-1930	Fender R.H.	5	1	1	56-3040	Spring - Relief Valve	20	24	1
54-1940	Fender L.H.	5	36	1	56-3050	Plug - Relief Valve	20	23	1
54-1950	Bracket - Support Bearing	1	22	2	56-3060	Pin - Dowel	20	26	1
54-2000	Pin - Pivot	11	13	1	56-3080	Ring - Retaining	21	49	1
54-2040	Follower Lever	2	54	1	56-3090	Ring - Retaining	21	48	2
54-2060	Bellcrank Assembly	18	41	1	56-3100	Screw - Hex. Socket Hd.	21	45	4
54-2070	Anchor - Spring	5	18	1	56-3110	Pin - Roll	21	44	6
54-2100	Pin - Pivot	11	39	2	56-3120	Carrier	20	3	1
54-2110	Lever - Brake	11	2	1	56-3130	Seal - Oil	21	43	1
54-2120	Link - Parking Brake	11	1	1	56-3140	Control Shaft Kit	21	42	1
54-2160	Bracket - Anchor	14	10	1	56-3170	Insert - Cam Ring	20	30	1
54-2260	Pad Footrest L.H.	2	62	1	56-3180	Spring - Valve	20	27	2
54-2270	Pad - Footrest R.H.	2	68	1	56-3200	Body - Valve	20	28	2
54-2290	Pipe - Exhaust	14	13	1	56-3210	Ball	20	29	2
54-2310	Hydraulic Tube Assembly	17	2	1	56-3220	Motor Rotor & Ball Assembly	21	39	1
54-2310	Hydraulic Tube Assembly	13	28	1	56-3230	Output Shaft Assembly	21	40	1
54-2330	Pulley - Engine	14	19	1	56-3240	Race - Motor	21	41	1
54-2380	Pulley - Input	18	28	1	56-3250	Plug Assembly	21	33	1
54-2390	Pulley - Output	18	1	1	56-3260	"O"Ring	21	34	1
54-2470	Reservoir - Hydraulic	13	34	1	56-3270	Seal - Oil	21	35	1
54-2500	Channel - Middle	5	19	1	56-3280	Bearing - Output	21	36	1
54-2570	Hydraulic Hose Assembly	17	4	1	56-3290	Ring - Retaining	21	37	1
54-2580	Hydraulic Hose Assembly	17	3	1	56-3300	Screw - Hex. Socket Hd.	21	38	2
54-2590	Hydraulic Hose Assembly	17	7	1	56-3310	Kit - Overhaul Seal	21	*	1
54-2610	Hydraulic Hose Assembly	17	5	1	56-3320	THook	11	20	1
54-2620	Hydraulic Hose Assembly	17	6	1	56-3370	Bracket - Spring	11	22	2
54-2630	Follower - Steering Shaft	2	53	1	56-3390	Hydraulic Hose Assembly	17	1	1
54-2640	Cable - Traction Control	2	44	1	56-6590	Screw	8	14	1
54-3110	Hinge - Seat	8	3	1	56-6920	Bracket - Cable Extension	11	40	1
54-8970	"U" Bolt	18	22	1	57-3100	Tie Rod - Steering	3	35	2
54-9200	Lever - Idler	6	52	2	59-1470	Shaft - Bellcrank	18	43	1
55-3570	Cap - Fuel	13	2	1	59-1500	Pivot - Axle	3	19	1
55-3630	Adjustable Relief Valve	10	*	1	59-1550	Pedal - Shaft	2	65	1
55-3640	Seat - Relief	10	8	1	59-1610	Tube - Grease Fitting	1	14	1
55-3650	Plug	10	26	1	59-1620	Bracket - Transaxle	18	15	1
55-4300	Decal	11	43	1	60-8990	Plate - Transaxle	18	17	1
55-4320	Gasket	19	2		60-9050	Bearing - Steering Shaft	2	46	1
55-4860	Guide - Belt	5	37	1	60-9130	Bracket - Jackshaft	18	3	1
55-7120	Switch - Brake	11	9	1	60-9140	Frame - Footrest	2	51	1
55-7310	Bracket - Idler	11	34	1	60-9150	Tunnel	2	66	1
55-8660	Assembly - Clamp	14	9	1	61-3610	Decal - Warning	11	29	2
56-2760	Spring - Extension	11	21	2	61-9780	Hub Cap	3	1	2
56-2800	Screw - Hex. Socket Hd.	20	1	1	62-4040	Tank - Fuel	13	15	1
56-2810	Bearing - Input	21	47	1	62-4420	Spacer	3	32	9
56-2820	Seal - Oil	21	46	1	62-4530	Idler - VBelt	5	43	2
56-2830	Charge Pump Assembly	20	2	1	62-4540	Idler - Flat	6	56	2
56-2850	Ring - Seal	20	4	1	62-7400	Decal - Toro	2	70	1
56-2860	Plate - Pump	20	5	1	63-7590	Relay	8	42	1
56-2870	Ring - Seal	20	6	1	63-8360	Key	2	35	2
56-2880	Button	20	7	2	63-8440	Decal - Hot Surface	14	5	1
56-2890	Pin - Dowel	20	8	1	65-5100	Handle	13	41	1
56-2900	Pin - Drive	20	9	1	66-0120	Knob	1	26	2
56-2910	Input Shaft Assembly	20	10	1	66-1570	Frame - Lift	11	14	1
56-2920	Ring - Seal	20	11	1	68-7330	Decal - Danger	13	*	1
56-2930	Pump Rotor & Ball Assembly	20	12	1	72-4060	Bearing Assembly	18	9	2
56-2940	Cam Ring Assembly	20	14	1	74-0110	Pedal - Traction	1	11	1
56-2950	Piston	20	15	2	74-0720	Tube - Manual	8	41	1
56-2960	Ring - Backup	20	16	2	75-4130	Spacer	19	27	2
56-2970	"O"Ring	20	17	2	75-5470	Spacer Bearing	19	22	1
56-2980	Pin - Coil	20	18	1	75-6820	Meter - Hour	8	29	1
56-2990	Pintle Assembly	20	19	1	76-8640	Stud - Traction	19	13	1
56-3000	Ring - Retaining	20	20	2	76-9430	Spring - Extension	18	19	1

*Not Illustrated

TORO PART NUMBER INDEX (Cont.)

3318-801

Part No.	Description	Pg. No.	Ref. No.	Qty.	Part No.	Description	Pg. No.	Ref. No.	Qty.
76-9430	Spring - Extension (Ref.)	19	9		242-50	Nut	4	6	8
77-0981	Boot - Terminal	13	10	1	242-60	Rim	3	6	2
77-3100	Decal - Caution	5	7	2	242-71	Bolt - Wheel	4	1	8
80-3750	Spacer	18	12	2	242-76	Rim	4	8	2
80-3760	Support - Seat, Front	8	2	1	2411-34	Ball Joint	1	16	1
80-4910	Footrest - R.H.	2	69	1	2411-34	Joint - Ball	19	30	1
80-4920	Pedal - Accelerator	1	8	1	2412-67	Clamp - Wire	8	47	1
80-4930	Footrest - Pedal	1	6	1	2412-92	Clamp - Hose	14	3	2
82-4640	Battery	13	12	1	2412-93	Clamp - Hose	9	7	1
82-4680	Lever - Valve	8	10	1	2412-100	"J"Clamp	5	13	2
82-4700	Bracket - Lever, Valve	8	20	1	2412-100	"R"Clamp	13	22	1
82-4720	Pad - Footrest	2	74	1	2412-108	Clamp - Hose	13	23	4
86-9080	Head - Filter	6	63	1	2412-120	"R"Clamp	8	38	2
88-3850	Wheel - Steering	2	29	1	251-210	Bearing - Ball	3	3	4
88-9830	Switch - Ignition	2	36	1	251-288	Bearing w/Collar	18	24	2
92-5435	Support - Seat L.H.	8	32	1	251-291	Bearing - Pulley	15	8	1
92-6250	Mount - Engine	5	10	1	251-292	Bearing - Field	15	2	1
92-6251	Mount - Engine	5	12	1	251-304	Rod End	3	33	2
92-6252	Mount - Cylinder	6	47	1	251-304	Rod End	2	57	1
92-6254	Bar - Tension	5	24	1	251-304	Rod End	18	35	1
92-6255	Axle - Rear	3	10	1	251-305	Rod End	3	25	3
92-6257	Plate- Pivot	3	24	1	251-305	Rod End	18	37	1
92-6259	Bracket	8	43	1	251-307	Bearing	19	19	2
92-6260	Duct - Engine	14	6	1	251-341	Flange - Bearing	18	31	4
92-6266	Panel - Tower Rear	2	37	1	256-154	Bushing	11	32	2
92-6267	Shield - Heat	13	21	1	256-156	Bushing	1	10	2
92-6269	Lever - Traction	19	28	2	283-17	Pin - Clevis	8	16	1
92-6273	Bracket - Spring	18	23	1	283-55	Pin - Clevis	11	23	1
92-6274	Plug - Cap	13	25	1	288-10	Cap - Pipe	14	28	1
92-6277	Decal - Switch	2	40	1	289-48	Nipple - Pipe	14	27	1
92-6278	Decal - Throttle Choke	2	32	1	302-2	Fitting - Grease	18	20	2
92-6280	Seat	9	1	1	302-5	Fitting - Grease	3	4	4
92-6281	Plate - Seat	8	12	1	302-22	Fitting - Grease	1	13	1
92-6282	Switch - Seat	9	11	1	302-49	Fitting - Grease	3	21	3
92-6283	Hose - Fuel	13	24	2	302-49	Fitting - Grease	18	25	1
92-6284	Plate - Adapter, Seat	9	5	2	302-60	Fitting - Grease 90°	19	10	
92-6287	Wire - Ground	14	25	1	321-2	Screw	11	36	2
92-6288	Decal - Service	13	40	1	321-2	Screw - Hex. Hd.	1	27	4
92-6289	Swing Arm Assembly	19	11		321-2	Screw - Hex. Hd.	19	43	1
92-6290	Spacer	19	20	1	321-3	Screw	9	10	2
92-6291	Decal - Refueling	13	38	1	321-3	Screw	6	49	2
92-6292	Pad - Fender R.H.	5	2	1	321-3	Screw - Hex. Hd.	1	9	2
92-6293	Pad - Fender L.H.	5	38	1	321-3	Screw - Hex. Hd.	13	1	2
92-6533	Cushion - Replacement	9	*	1	321-4	Screw	3	15	4
94-1296	Hose - Carburetor	14	2	1	321-4	Screw	8	36	14
94-1297	Engine - Kohler 20 HP	14	1	1	321-4	Screw - Hex. Hd.	2	61	9
94-5410	Decal - Groundsmaster 120	13	37	2	321-14	Screw	8	7	2
94-5848	Harness - Wire	16	*	1	321-14	Screw	5	16	2
94-9695	Filter - Fuel	13	26	1	321-23	Screw	8	9	2
218-461	Nut - Lock	2	34	1	322-3	Screw	5	30	3
231-122	Tire	4	9	2	322-3	Screw - Hex. Hd.	13	5	2
231-126	Tire	3	5	2	322-4	Screw	9	4	4
232-27	Valve Stem w/Cap	4	7	2	322-4	Screw	8	6	12
232-27	Valve Stem w/Cap	3	36	2	322-4	Screw	5	26	13
233-37	Knob	11	3	1	322-4	Screw	11	33	4
233-37	Knob	8	11	1	322-4	Screw - Hex. Hd.	1	2	19
237-42	"O"Ring	10	20	2	322-4	Screw - Hex. Hd.	18	18	6
237-42	"O"Ring	8	24	2	322-4	Screw - Hex. Hd.	18	5	6
237-42	"O"Ring	13	30	2	322-4	Screw - Hex. Hd.	13	17	2
237-78	"O"Ring	11	17	2	322-5	Screw	9	6	4
237-78	"O"Ring	8	19	2	322-6	Screw	5	9	18
237-79	"O"Ring	19	7	2	322-6	Screw	11	11	2
237-79	"O"Ring	6	62	1	322-6	Screw - Hex. Hd.	19	15	2
237-80	"O"Ring	19	49	2	322-7	Screw - Hex. Hd.	19	17	1
237-100	Grommet	13	19	1	322-10	Screw	4	5	2

*Not Illustrated

TORO PART NUMBER INDEX (Cont.)

Part No.	Description	Pg. No.	Ref. No.	Qty.	Part No.	Description	Pg. No.	Ref. No.	Qty.
322-10	Screw - Hex. Hd.	2	67	2	3257-5	Key - Woodruff	19	36	3
322-10	Screw - Hex. Hd.	18	11	4	3257-10	Key - Woodruff	4	3	2
323-7	Screw	5	20	3	3257-24	Key - Woodruff	19	5	1
323-8	Screw - Hex. Hd.	18	10	4	3258-19	Screw - Round Hd.	7	7	2
323-9	Screw	14	30	2	3272-6	Pin - Cotter	8	15	1
323-9	Screw	6	57	2	3272-10	Pin - Cotter	11	5	2
323-10	Screw	11	25	1	3272-12	Pin - Cotter	3	37	2
323-10	Screw - Hex. Hd.	14	22	1	3290-211	Washer - Spring	5	29	2
323-11	Screw	5	42	2	3290-250	Pin - Cotter	5	15	2
323-12	Screw - Hex. Hd.	14	23	1	3290-355	Pin - Cotter	11	24	1
323-13	Screw - Hex. Hd.	19	46	1	3290-357	Nut - Wizz	14	31	1
323-14	Screw - Hex. Hd.	19	34	2	3290-379	Cable Tie	6	66	7
323-16	Screw - Hex. Hd.	19	47	1	3290-440	Washer - Belleville	2	42	1
324-7	Screw	3	27	5	3296-3	Nut - Hex.	1	15	1
324-7	Screw - Hex. Hd.	2	58	1	3296-3	Nut - Lock	19	32	1
324-7	Screw - Hex. Hd.	18	36	2	3296-6	Nut	11	35	1
324-11	Screw - Hex. Hd.	14	12	1	3296-6	Nut - Lock	15	9	3
325-6	Screw	3	38	2	3296-9	Nut	19	25	2
327-24	Screw	6	48	1	3296-15	Nut	11	41	2
3212-24	Screw - Hex. Hd.	14	15	1	3296-25	Nut	19	29	1
3217-6	Nut	19	16	4	3296-29	Nut	8	4	12
3217-6	Nut - Square	14	7	1	3296-29	Nut	11	7	6
3220-1	Nut - Hex. Jam	19	31	1	3296-29	Nut	5	14	33
3220-1	Nut - Jam	1	17	1	3296-29	Nut	3	16	8
3220-4	Nut - Hex. Jam	18	38	2	3296-29	Nut - Hex.	13	7	9
3220-4	Nut - Jam	3	28	3	3296-29	Nut - Lock	18	4A/R	
3220-6	Nut - Jam	11	12	2	3296-29	Nut - Lock	4	4	2
3220-19	Nut - Jam	3	34	2	3296-29	Nut - Lock	9	8	8
3229-1	Bolt - Carriage	13	11	2	3296-29	Nut - Lock	19	14A/R	
3230-1	Bolt - Carriage	18	30	6	3296-29	Nut - Lock	1	18	24
3230-3	Bolt - Carriage	14	20	1	3296-39	Nut	8	37	1
3234-1	Screw - Hex. Flange Hd.	18	14	5	3296-39	Nut - Lock	14	26	2
3234-14	Screw	5	3	4	3296-41	Nut - Hex.	3	12	1
3241-1	Screw - Set	18	2	4	3296-42	Nut - Lock	6	65	2
3241-2	Screw - Set	19	37	2	3296-42	Nut - Lock	13	14	8
3245-35	Screw - Set	18	8	4	3296-42	Nut - Lock	8	21	19
3250-46	Screw	19	33	2	3296-42	Nut - Lock	1	23	16
3253-3	Washer	11	37	2	3296-44	Nut	11	28	1
3253-3	Washer - Lock	19	42	1	3296-44	Nut	5	17	4
3253-3	Washer - Lock	6	50	2	3296-44	Nut - Lock	18	6	4
3253-4	Washer - Lock	14	8	1	3296-48	Nut	3	23	5
3253-5	Washer - Lock	19	39	4	3296-48	Nut - Lock	18	39	2
3253-6	Washer - Lock	14	11	2	3296-48	Nut - Lock	2	55	1
3253-7	Washer	3	39	2	3296-61	Nut	6	46	1
3254-5	Washer - Lock	2	33	1	32103-22	Nut - Wing	13	8	3
3254-6	Washer - Lock, Int. Tooth	14	24	1	32107-11	Nut - Square	7	8	2
3255-5	Washer - Lock	19	45	3	32115-5	Nut - Square	2	60	4
3255-8	Washer - Lock, Ext. Tooth	6	69	1	32120-64	Ring - Snap	19	1	1
3256-1	Washer	13	13	4	32121-10	Pin - Roll	1	28	1
3256-1	Washer	11	38	2	32121-20	Pin - Roll	1	19	1
3256-1	Washer - Flat	8	25	11	32121-31	Pin - Roll	1	20	2
3256-3	Washer - Flat	18	7	4	32121-51	Pin - Roll	1	7	1
3256-3	Washer - Flat	6	54	2	32121-51	Pin - Roll	3	30	1
3256-4	Washer - Flat	3	26	7	32121-77	Pin Roll	2	59	2
3256-4	Washer - Flat	2	56	1	32128-20	Nut - Flange Lock	2	48	1
3256-9	Washer	3	40	1	32128-20	Nut - Flange Lock	6	67	1
3256-23	Washer - Flat	5	4	8	32128-21	Nut - Lock	14	32	2
3256-23	Washer - Flat	8	5	6	32144-1	Screw - Thread Forming	11	10	2
3256-23	Washer - Flat	18	45	2	32144-11	Screw - Thread Forming	5	5	2
3256-23	Washer - Flat	2	49	4	32144-15	Screw	3	18	2
3256-24	Washer - Flat	11	4	2	32144-18	Screw	8	45	2
3256-51	Washer	8	39	2	32144-19	Screw - Round Hd.	19	44	3
3256-55	Washer	19	41	1	32144-73	Screw	8	40	4
3256-68	Washer	19	8	1	32149-1	Nut - Lock	5	27	1
3257-5	Key - Woodruff	18	26	3	32149-1	Nut - Lock	18	32	6

*Not Illustrated

TORO PART NUMBER INDEX (Cont.)

3318-801

Part No.	Description	Pg. Ref. No. No. Qty.	Part No.	Description	Pg. Ref. No. No. Qty.
32151-48	Ring - Retaining	3 11 2			
32152-10	Nut - Lock	12 2 1			
32153-3	Nut	11 15 2			
353-370	Fitting - Hydraulic 90°	19 6 2			
353-371	Fitting - 90°	6 61 2			
353-375	Fitting - 90°	11 19 1			
353-375	Fitting - 90°	8 22 1			
353-385	Fitting - Hydraulic Straight	13 29 2			
353-431	Fitting - 45°	11 16 1			
353-511	Fitting	8 17 2			
353-511	Fitting - Hydraulic 90°	19 35 2			
353-545	Fitting	8 18 1			

PRODUCT CHANGES

In an effort to make improvements available to TORO owners as quickly as possible, minor changes are incorporated into Toro's products from time to time that do not become immediately shown in the Parts Catalog. If such a change has been made in your unit, which is not reflected in your manual, see your TORO Distributor or his Authorized TORO Service Dealer for information and part numbers.

IDENTIFICATION AND ORDERING

MODEL AND SERIAL NUMBERS

The Groundsmaster 120 has two identification numbers; a model number and a serial number. The two numbers are stamped on a plate which is located on the main frame under the seat. In any correspondence concerning the Groundsmaster 120, supply model and serial numbers to assure that correct information and replacement parts are obtained.

To order replacement parts from an Authorized TORO Service Dealer, supply the following information:

1. Model and serial number of the Groundsmaster 120.
2. Part number, description, and the quantity of part(s) desired.

NOTE: Do not order by reference number if a parts catalog is being used; use the PART NUMBER.

TABLE OF CONTENTS

Description	Page	Description	Page
Frame And Steering Assembly	1	Transmission Assembly	19
Rear Axle Assembly	3	Hydrostatic Transmission Assembly	20
Front Wheel Assembly	4	Differential Assembly	22
Frame And Jackshaft Assembly	5	Engine Kohler Model CH20QS Spec 64556	
Air Cleaner Assembly	7	Baffles & Shroud	24
Seat Support Assembly	8	Oil Pan/Lubrication	25
Seat Assembly	9	Crankcase	26
Valve Assembly No.54–0090	10	Cylinder Head, Valve & Breather	27
Parking Brake & Frame Assembly	11	Crankshaft, Piston & Rings	28
Hydraulic Lift Cylinder No. 54–0150	12	Carburetor And Fuel Pump	29
Hood, Fuel Tank & Hydraulic Reservoir Assembly	13	Air Intake / Filtration	30
Engine Assembly	14	Throttle Linkage & Governor Control	31
Clutch Assembly No. 54–0220	15	Starter	32
Electric Schematic	16	Ignition And Charging System	33
Hydraulic Schematic	17	Exhaust	34
Differential Assembly	18	Numeric Index, Toro P/N Only	35

Optional equipment

Description	Model No./Part No.	Description	Model No./Part No.
Flotation Kit	30759	44" Grass Collection System	30751
44" Deck Baffle Kit	60–9030	52" Grass Collection System	30576
52" Deck Baffle Kit	68–7210	44" Recycler Kit	59220
44" Leaf Mulcher Deck	30752	52" Recycler Kit	59225
52" Leaf Mulcher Deck	30700	Brake Kit	30758
Wheel Weight Kit	56–6620	Tire Chain Kit	56–6630
44" Snowthrower	30761	Rear Weight	62–6590
44" Side Discharge Deck	30544	Cab Kit	
48" Rear Discharge Deck	30747	European Complacence Parts Kit	93–9450
52" Side Discharge Deck	30753		