

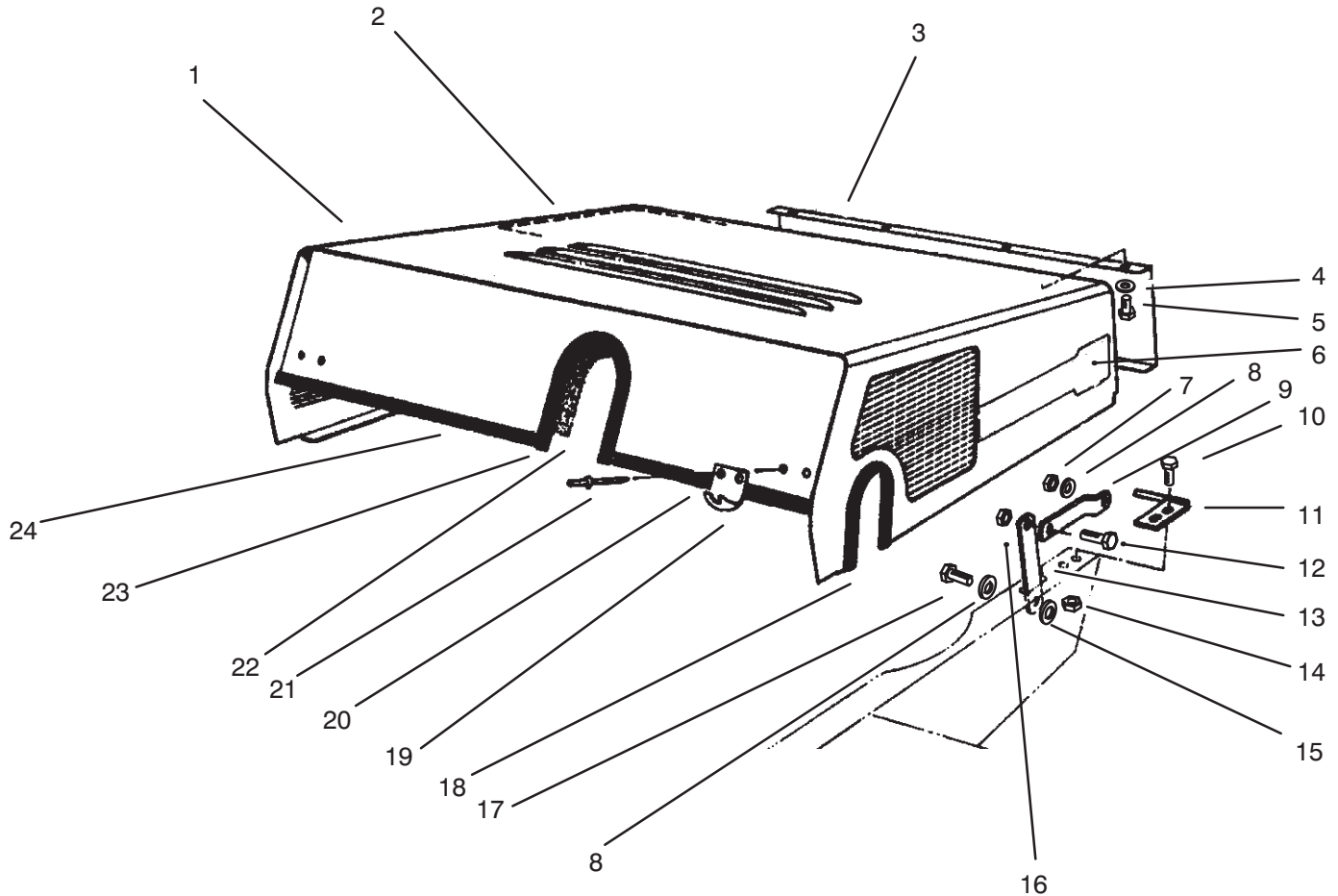


MODEL NO. 30620-690001 &amp; UP

PARTS  
CATALOG

# GROUNDMASTER® 220

## TRACTION UNIT



C-1275

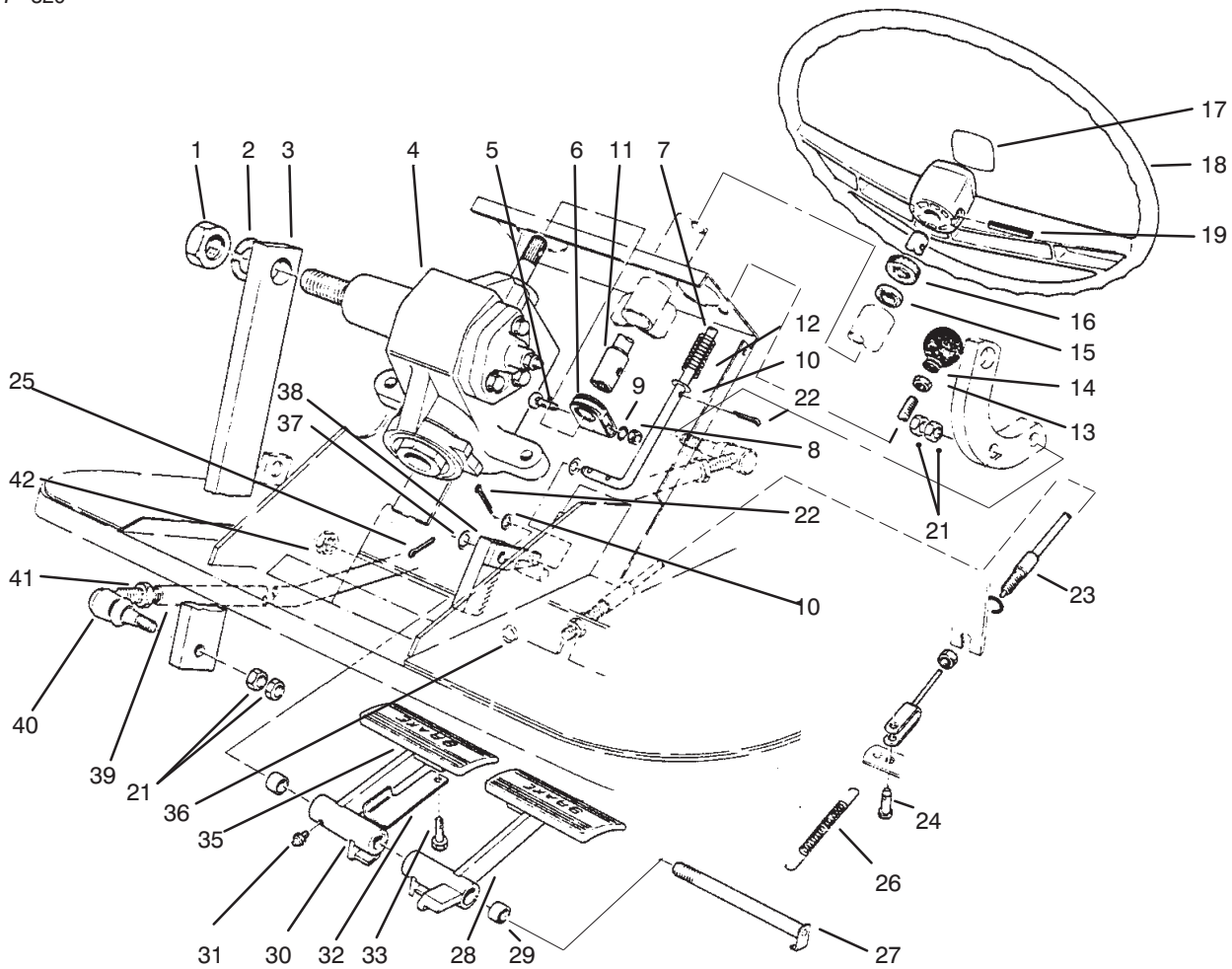
### HOOD ASSEMBLY

Ref. No.	Part No.	Description	No. Used	Ref. No.	Part No.	Description	No. Used
1	12-5869	Hood	1	13	27-6810	Tie - Hood	2
2	44-9040	Foam - Hood (Rear)	1	14	32128-33	Nut - Hex. Flange	4
3	44-8830	Grille - Rear Panel	1	15	4-2390	Washer	2
4	3256-22	Washer - Flat	8	16	19-1470	Screw - Shoulder	2
5	32140-94	Screw - Self Tap. Hex. Hd.	8	17	3296-5	Nut - Lock	2
6	94-5411	Decal - Groundmaster 220	2	18	44-9190	Trim - Hood	1
7	32128-19	Nut - Flange	2	19	249-40	Keeper - Reverse	2
8	3290-211	Washer - Lock	4	20	46-3320	Trim - Hood	1
9	27-6800	Link - Hood	2	21	3269-16	Rivet - Pop	4
10	3234-13	Screw - Hex. Flange Hd.	4	22	44-9030	Foam - Hood (Front)	1
11	27-4830	Pin - Pivot L.H.	1	23	38-4070	Trim - Hood	1
*	27-4800	Pin - Pivot R.H.	1	24	38-4080	Trim - Hood	1
12	3211-27	Screw - Hex. Hd.	2				

\*Not Illustrated

© The TORO Company -1995  
All Rights Reserved

TPS



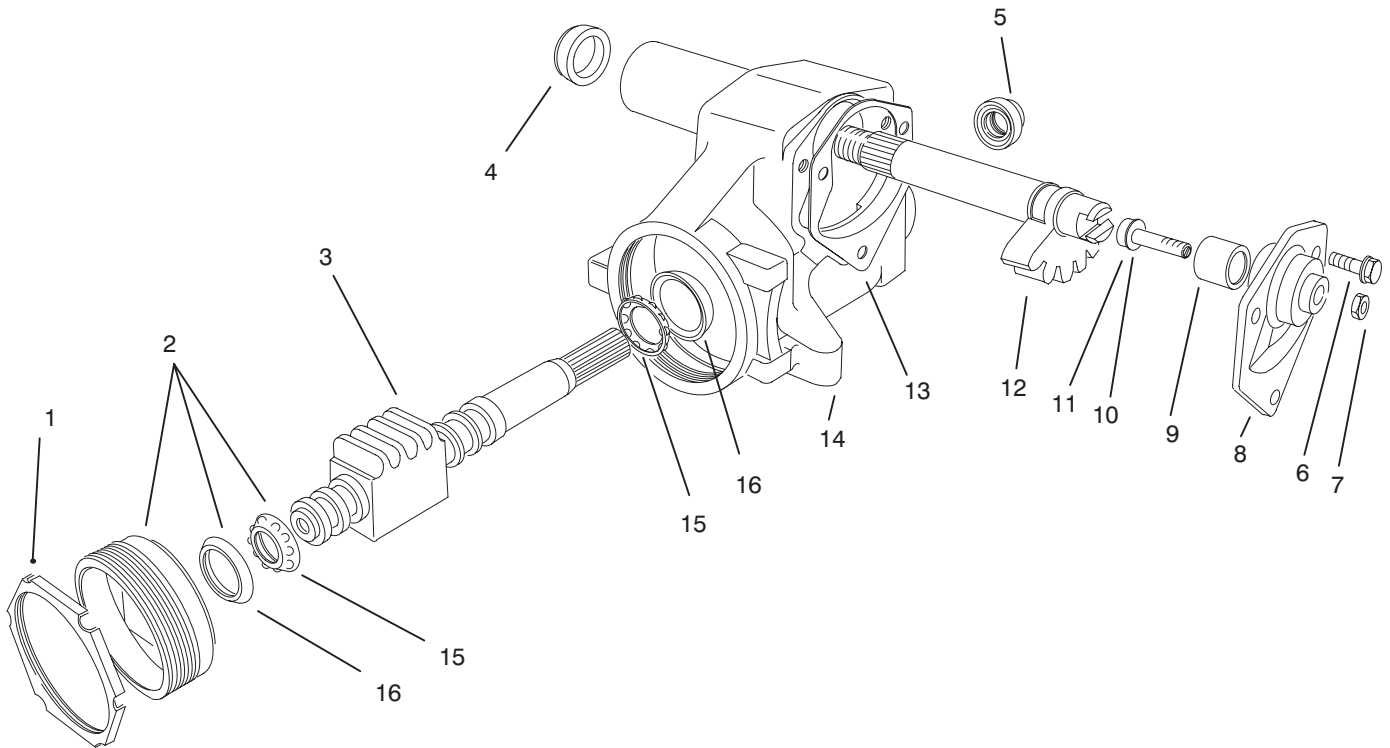
C-1280

## PEDALS & STEERING WHEEL ASSEMBLY

Ref. No.	Part No.	Description	No. Used
1	3220-8	Nut	1
2	3253-28	Washer - Lock	1
3	41-8880	Arm - Gear Box	1
4	41-8820	Steering Gear Assembly (Incl. Ref. #1 & 2)	1
5	3232-16	Bolt - Carriage	1
6	41-8830	Clamp - Coupling	1
7	27-3550	Rod - Brake Latch	1
8	3217-8	Nut - Hex.	1
9	3253-6	Washer - Lock	1
10	3256-22	Washer - Flat	3
11	41-8840	Shaft - Steering	1
12	3-3251	Spring	1
13	32128-33	Nut - Hex. Flange	1
14	233-17	Knob	1
†15	251-275	Bearing - Ball	1
16	21-9260	Cover - Dust	1
17		Cap - Steering Wheel	1
18	76-1420	Wheel - Steering	1
19	32121-10	Pin - Roll	1
21	3220-3	Nut - Jam	4
22	3272-5	Pin - Cotter	3

Ref. No.	Part No.	Description	No. Used
23	21-3370	Assembly - Brake Cable	2
24	283-58	Pin - Clevis	2
25	3272-10	Pin - Cotter	3
26	3-7243	Spring - Return	2
27	42-2540	Pin - Brake	1
28	41-8810	Pedal - Brake L.H. (Incl. Ref. #29 & 31)	1
29	256-42	Bushing	4
30	41-8800	Pedal - Brake, R.H. (Incl. Ref. 29 & 31)	1
31	302-5	Fitting - Grease	2
32	27-3560	Latch - Parking Brake	1
33	32144-10	Screw - Hex. Self Tap	1
35	7-3900	Pad - Brake	2
36	3290-378	Tie - Cable	1
37	3256-26	Washer - Flat	2
38	42-3220	Rack	1
39	27-3390	Tube - Front Steering	1
40	21-0141	Socket Assembly R.H.	2
41	3220-5	Nut - Hex. Jam	2
42	3296-33	Nut - Lock	1

†Included with Steering Post Bracket Assembly, Ref. Page 6, Item 43

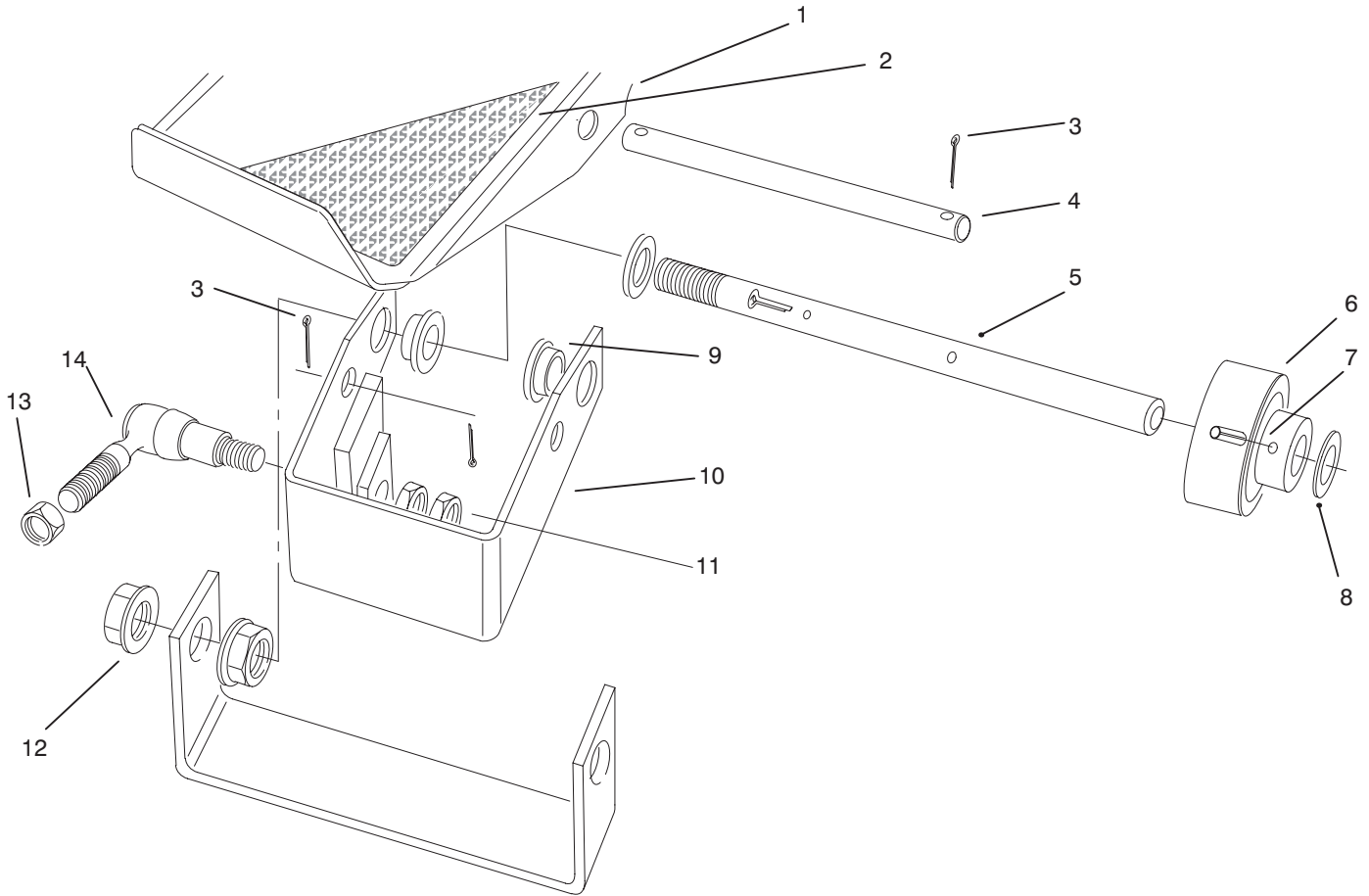


T-0701

## STEERING GEAR ASSEMBLY NO. 41-8820

Ref. No.	Part No.	Description	No. Used	Ref. No.	Part No.	Description	No. Used
1	5676217	Nut – Adjuster Lock	1	9		Bushing	1
2	7840888	Assembly – Adjuster	1	10	605142	Kit – Shim	1
3	7812946	Steering Worm Assembly	1	11	7802482	Adjuster	1
4	7801626	Seal	1	12	7812834	Gear – Pitman Shaft	1
5	7802160	Seal	1	13	5666734	Gasket	1
6	7807009	Bolt – Flange Hex. Hd.	3	14	5679292	Housing – Steering Gear	1
7	114495	Nut	1	15	5666693	Assembly – Thrust Bearing	2
8	7806748	Kit – Side Cover Service (Incl. Ref. #6, 9, 11 & 13)	1	16	5666683	Cup – Bearing	2

Note: Obtain parts from your local GMC, Chevrolet Dealer.

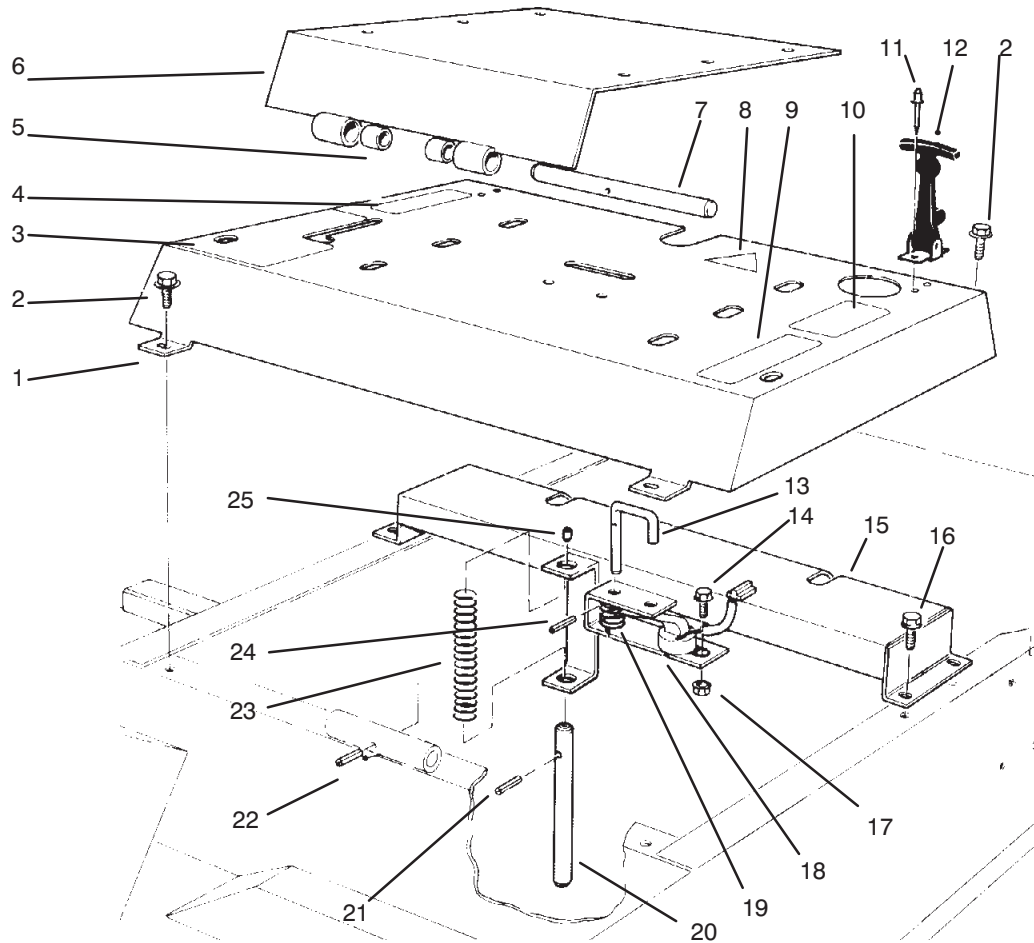


C-2398

## TRACTION PEDAL ASSEMBLY

Ref. No.	Part No.	Description	No. Used
1	29-5670	Pedal - Traction	1
2	28-5130	Pad - Traction Pedal	1
3	3272-10	Pin - Cotter	4
4	29-5630	Pin - Pedal Pivot	1
5	70-9830	Shaft - Traction Pedal	1
6	28-5220	Wheel - Friction	1
7	32121-6	Pin - Roll	1
8	5-7570	Washer	2
9	256-156	Bushing - Flange	2

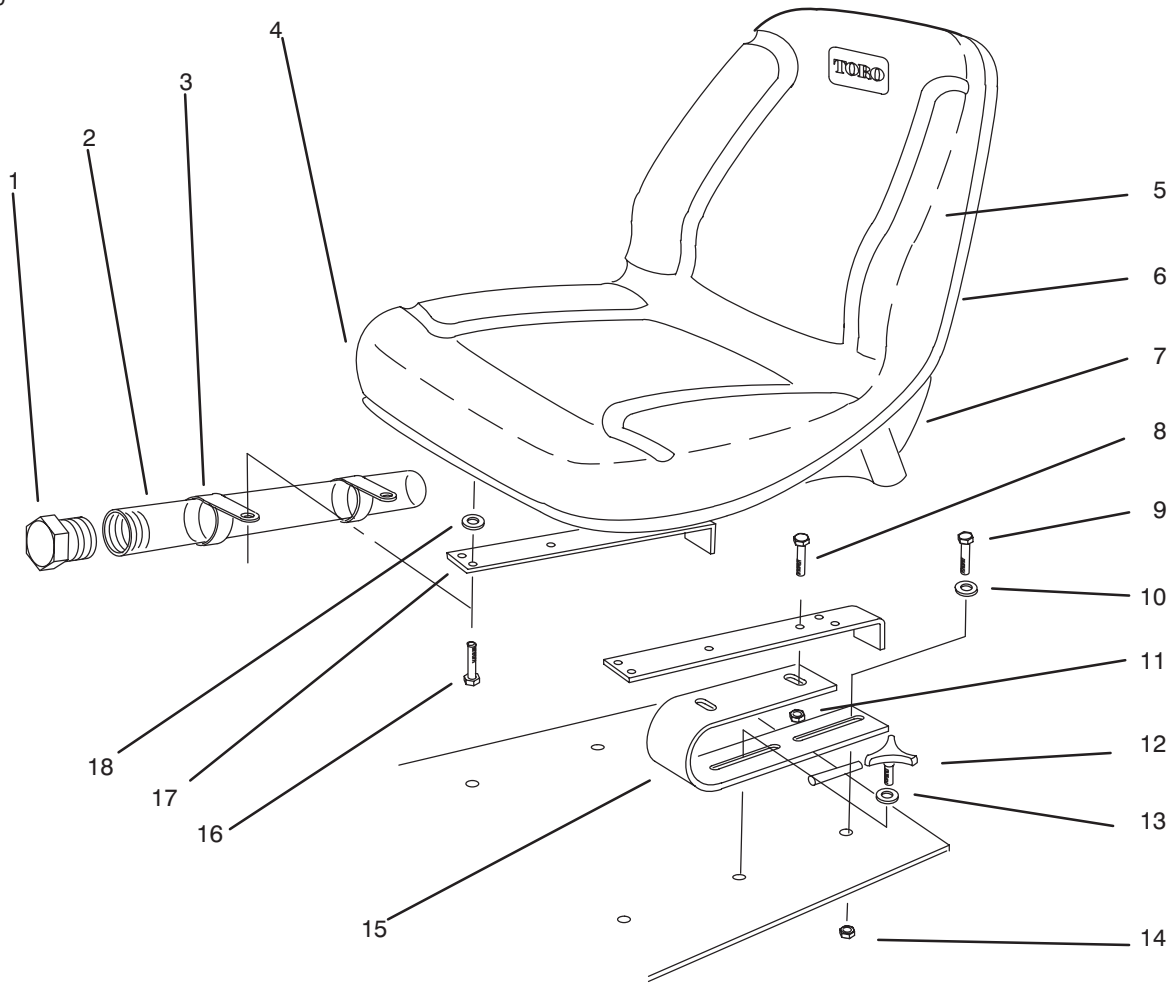
Ref. No.	Part No.	Description	No. Used
10	29-5600	Pivot Bracket Assembly (Incl. Ref. #9)	1
11	3220-3	Nut - Jam	2
12	32128-49	Nut - Hex. Flange	2
13	3220-5	Nut - Jam	1
14	21-0141	Socket Assembly R.H.	1



C-2399

## SEAT MOUNT

Ref. No.	Part No.	Description	No. Used	Ref. No.	Part No.	Description	No. Used
1	61-8140	Cover - Seat Support (Incl. Ref. #4, 5, 9 & 10)	1	13	38-3170	Pin - Seat Switch	1
2	46-8560	Screw - Hex. Flange Hd.	4	14	3234-13	Screw - Hex. Flange Hd.	1
3	68-7320	Decal - Hydraulic Lift	1	15	37-9770	Support - Seat	1
4	67-1710	Decal - Caution	1	16	3234-11	Screw - Hex. Flange Hd.	4
5	256-173	Bushing	2	17	32128-33	Nut - Hex. Flange Hd.	1
6	38-4020	Mounting - Seat (Incl. Ref. #5)	1	18	29-6930	Arm - Switch	1
7	27-4720	Shaft - Seat Pivot	1	19	3-6685	Spring	1
8	43-8480	Decal - Danger	1	20	27-9870	Pin - Seat Switch	1
9	68-7330	Decal - Caution	1	21	32121-6	Pin - Roll	1
10	27-7310	Decal - Refueling	1	22	32121-4	Pin - Roll	1
11	3269-16	Rivet - Pop	4	23	37-9590	Spring	1
12	249-39	Assembly - Handle	2	24	32121-18	Pin - Roll	1
				25	28-6180	Pin - Pedal	1



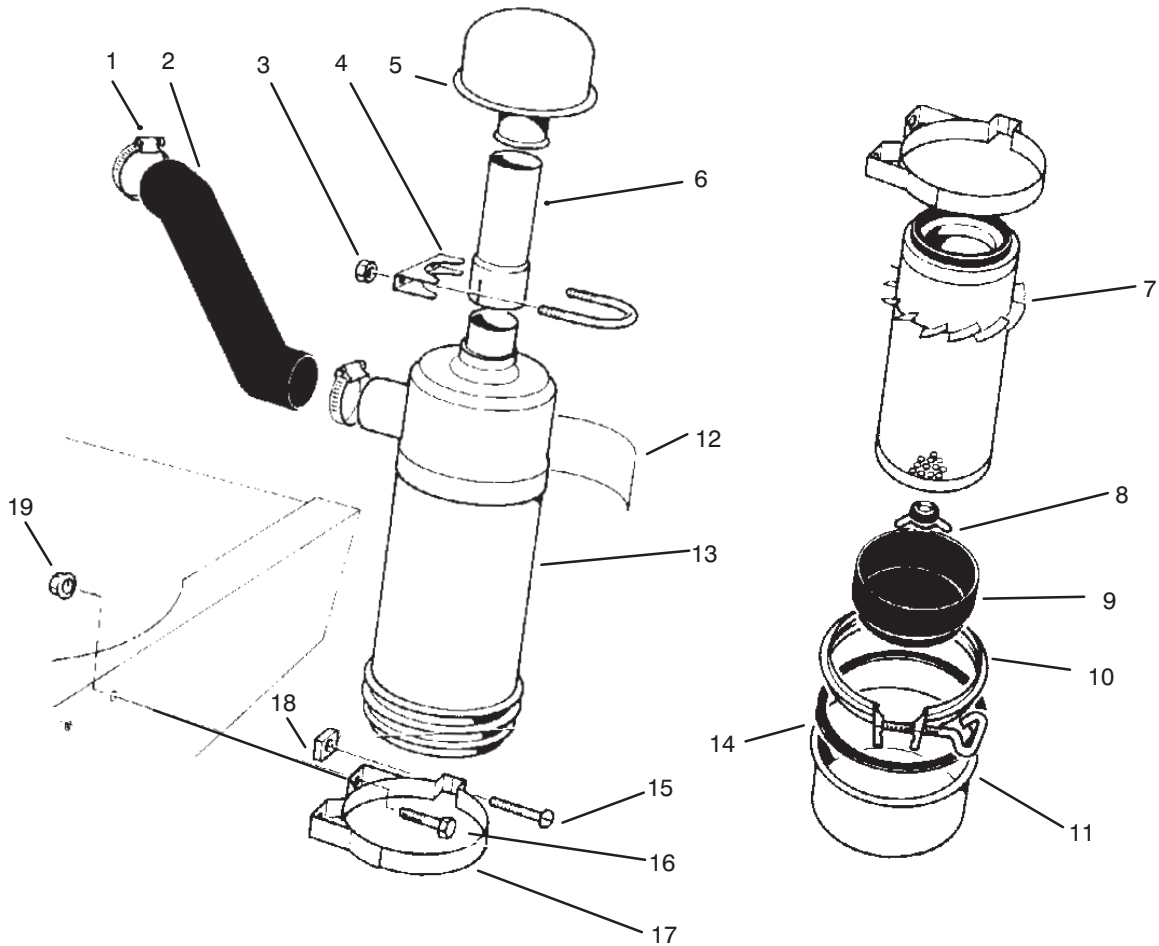
C-1274

### SEAT ASSEMBLY

Ref. No.	Part No.	Description	No. Used
1		Cap - Tube	1
2	74-0720	Tube - Manual	1
3	2412-123	"R" Clamp	2
4	92-1180	Seat	1
5	92-6533	Kit - Cushion	1
6	351-78	Edging	1
7	92-6534	Shell - Seat	1
8	322-5	Screw	4
9	27-5240	Bolt - Shoulder	2

Ref. No.	Part No.	Description	No. Used
10	3256-26	Washer - Flat	2
11	32128-20	Nut	4
12	27-4570	Handle - Adjustment	2
13	36-8020	Washer	2
14	3296-39	Nut - Lock	2
15	46-9110	Spring - Seat	2
16	3234-17	Screw - Hex. Hd.	4
17	46-9120	Mount - Seat	2
18	109989	Spacer	4

\*Not Illustrated

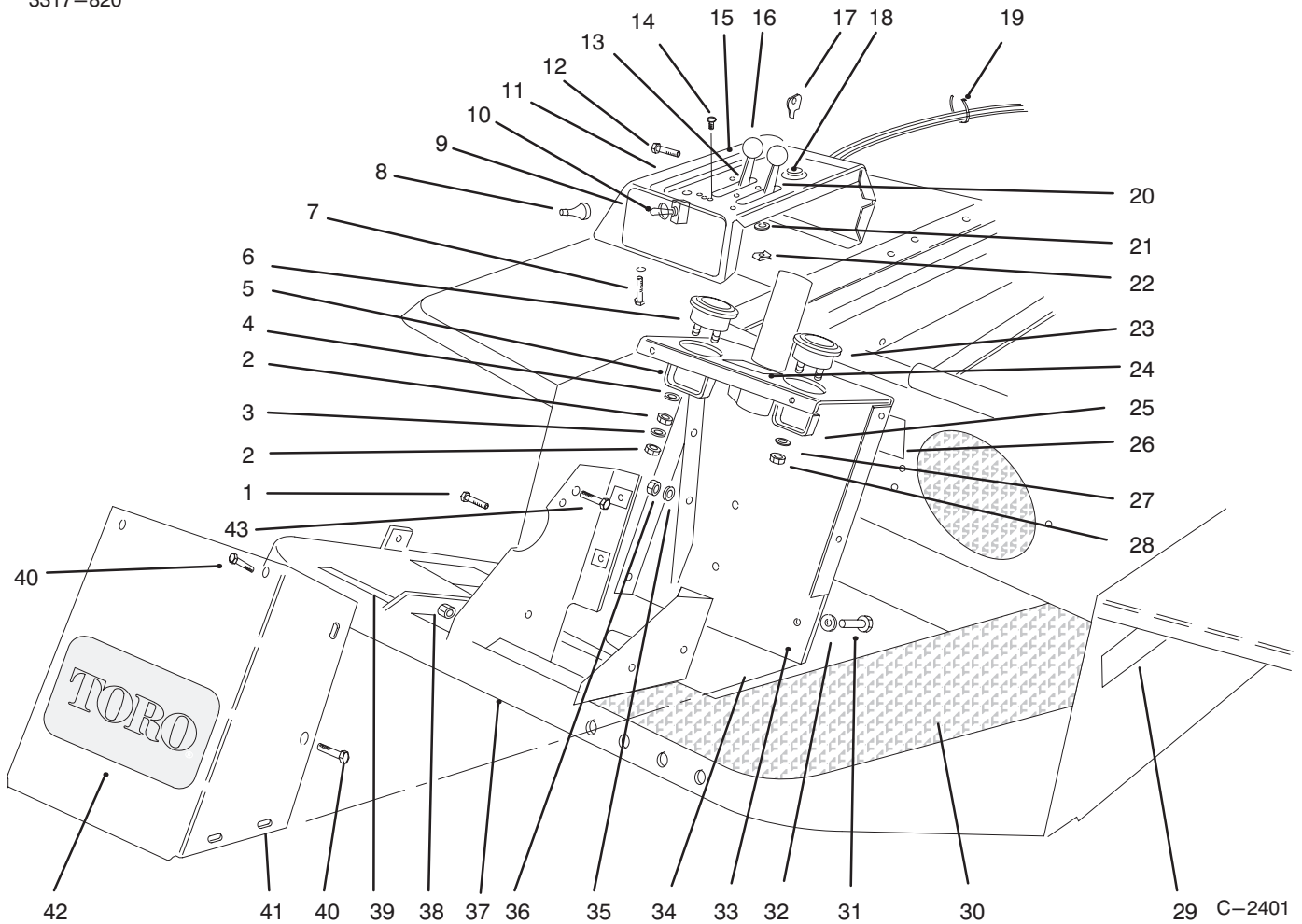


C-2400

## AIR CLEANER

Ref. No.	Part No.	Description	No. Used
1	2412-42	Clamp - Hose	2
2	44-9050	Hose - Air Cleaner Inlet	1
3	3217-6	Nut - Hex.	2
4	20-4840	Clamp - Muffler	1
5	27-7180	Assembly - Cap	1
6	44-8950	Tube - Air Cleaner	1
7	27-7110	Assembly - Element	1
8	27-7120	Assembly - Nut & Gasket	1
9	27-7140	Skirt - Baffle	1
10	27-7130	Assembly - Clamp	1
11	27-7150	Assembly - Cup	1

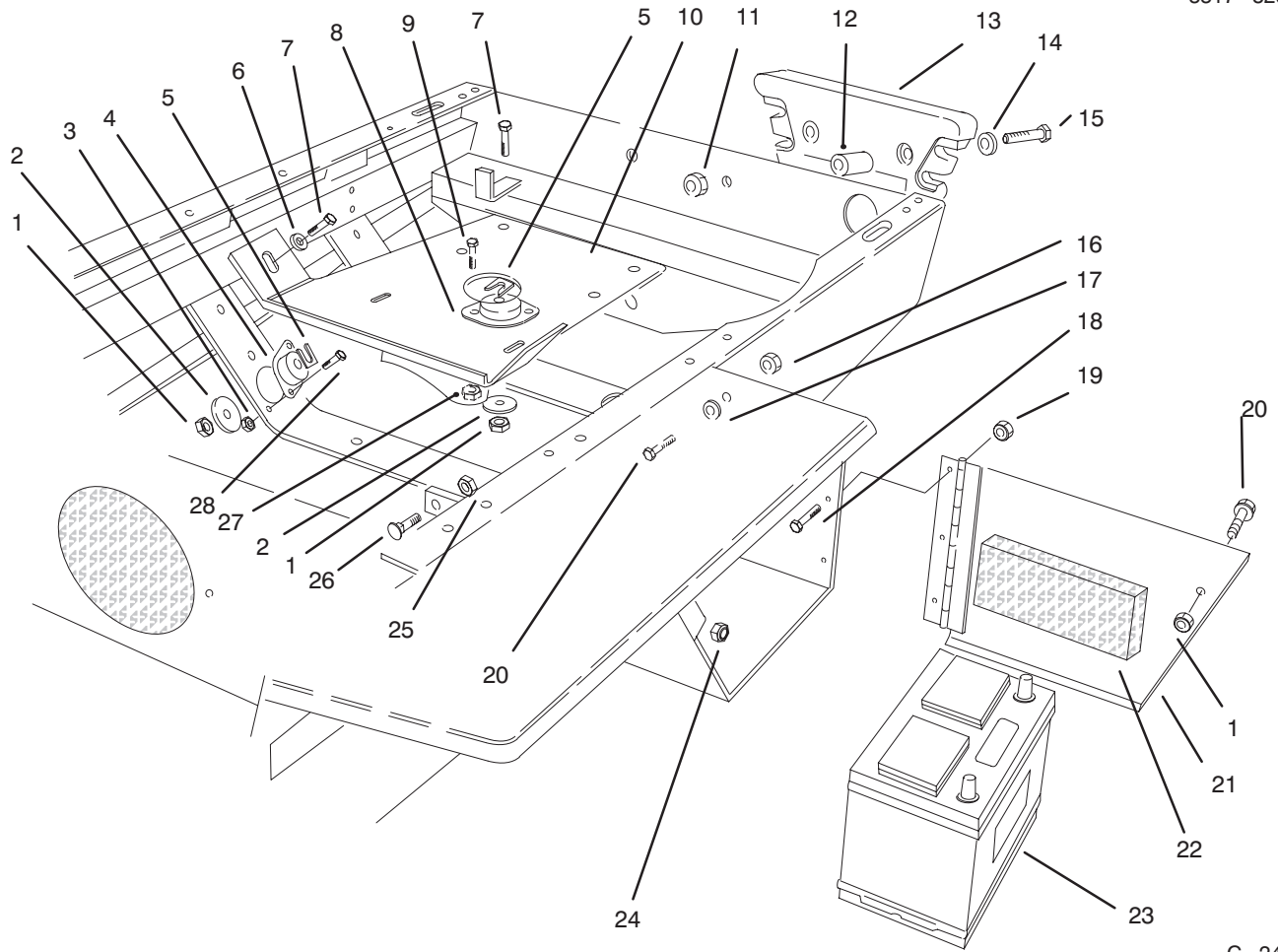
Ref. No.	Part No.	Description	No. Used
12	27-7160	Decal - Instruction	1
13	27-7100	Assembly - Air Cleaner (Incl. Ref. 6, 7-10 & 16-18)	1
14	80-3330	Gasket	1
15	3258-19	Screw - Machine	2
16	322-3	Screw - Hex. Hd.	4
17	27-7170	Assembly - Mounting, Band (Incl. Ref. #13 & 18)	2
18	32107-11	Nut - Square	2
19	32128-20	Nut - Hex. Flange	4



## INSTRUMENT PANEL & STEERING POST

Ref. No.	Part No.	Description	No. Used
1	32104-60	Screw - Flange Hex. Hd.	1
2	3219-14	Nut - Brass	6
3	3254-8	Washer - Lock	2
4	3256-21	Washer - Flat	2
5	39-9600	Clamp - Mounting	1
6	33-0990	Ammeter	1
7	32104-116	Screw - Flange Hex. Hd.	2
8	218-473	Boot - Toggle Switch	1
9	46-3460	Decal - By-Pass	1
10	6-1659	Switch - Toggle (Incl. Ref. #7)	1
11	46-3350	Panel - Instrument	1
12	3234-4	Screw - Hex. Flange Hd.	1
13	44-9300	Control - Choke	1
14	3251-3	Screw - Mach. Rd. Hd.	4
15	68-7350	Decal - Instrument Panel	1
16	233-35	Knob	2
17	63-8360	Key	1
18	27-2360	Switch - Ignition	1
19	3290-378	Tie - Cable	1
20	44-9250	Control - Throttle	1
21	3256-22	Washer - Flat	1

Ref. No.	Part No.	Description	No. Used
22	32149-7	Nut - Keps	4
23	12-9990	Meter - Hour	1
24	41-8910	Decal - Instruction	1
25	218-515	Bracket - Mounting	1
26	53-4430	Decal - Oil	1
27	3254-1	Washer - Ext. Tooth	1
28	3217-26	Nut - Hex.	1
29	75-0810	Decal	2
30	27-3250	Nonskid - Tunnel	1
31	324-6	Screw - Hex. Hd.	3
32	3253-6	Washer - Lock	3
33	42-2580	Bracket - Steering Post	1
34	27-3260	Nonskid - Floor	1
35	3253-21	Washer - Lock	1
36	3217-7	Nut - Hex.	1
37	86-7290	Frame Assembly	1
38	3296-42	Nut - Lock	2
39	27-7320	Decal - Traction Pedal	1
40	46-8560	Screw - Self Tap. Hex. Hd.	11
41	41-8900	Cover - Steering Tower	1
42	62-7400	Decal - Toro	1
43	3234-11	Screw - Hex. Flange Hd.	1



C-2402

## ENGINE MOUNT, BATTERY & REAR WEIGHT

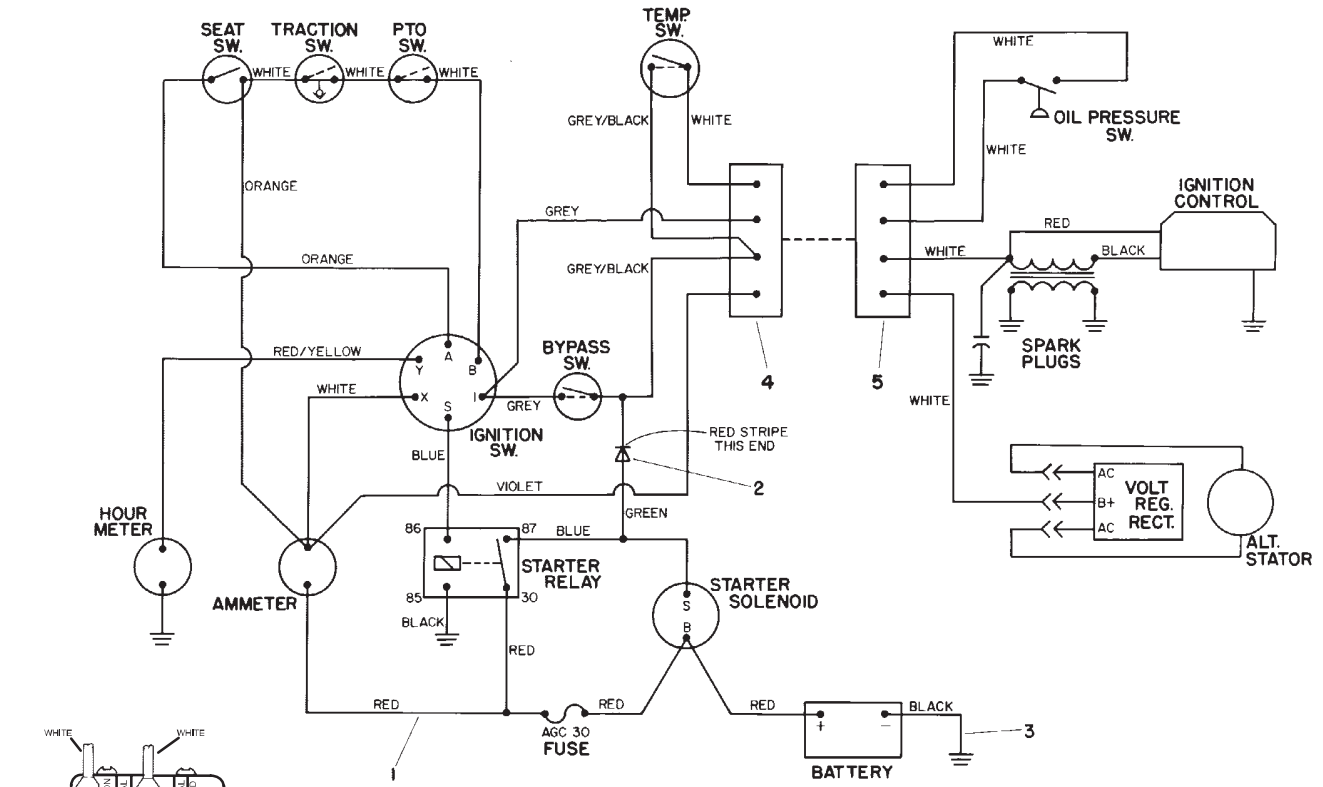
Ref. No.	Part No.	Description	No. Used
1	3296-39	Nut - Lock	5
2	63-7400	Washer	4
3	3296-29	Nut - Lock	4
4	44-9390	Mount - Engine Rubber	2
5	42-6080	Shim - Axle	A/R
6	3256-24	Washer - Flat	2
7	323-12	Screw - Hex. Hd.	4
8	18-8000	Mount - Rubber	2
9	3290-134	Screw - Mach. Hex. Hd.	4
10	44-9320	Base - Engine	1
11	3217-9	Nut	4
12		Spacer	2
13	24-5790	Weight - Rear	1
14	3253-7	Washer - Lock	2

Ref. No.	Part No.	Description	No. Used
15	325-8	Screw	2
16	3290-357	Nut - Flange Lock	1
17	3255-9	Washer - Lock	1
18	3274-31	Screw - Cap Button Hd.	3
19	3296-42	Nut - Lock	3
20	3234-11	Screw - Flange Hex. Hd.	2
21	44-8920	Cover - Battery	1
22	44-9460	Foam - Battery Cover	1
+23		Assembly - Battery	1
24	3290-433	Retainer - Grip Nut	1
25	3218-3	Nut - Hex. Jam	1
26	3231-29	Bolt - Carriage	1
27	3296-2	Nut - Lock	4
28	322-3	Screw - Hex. Hd.	4

+Obtain locally. Group Size 26

**TRACTOR WIRING HARNESS**

**ENGINE WIRING HARNESS**



IGNITION SWITCH CIRCUITRY

POSITION	CIRCUIT	MAKE
1 OFF	NONE	-
2 RUN	B+I+A	X+Y
3 START	B+I+S	-

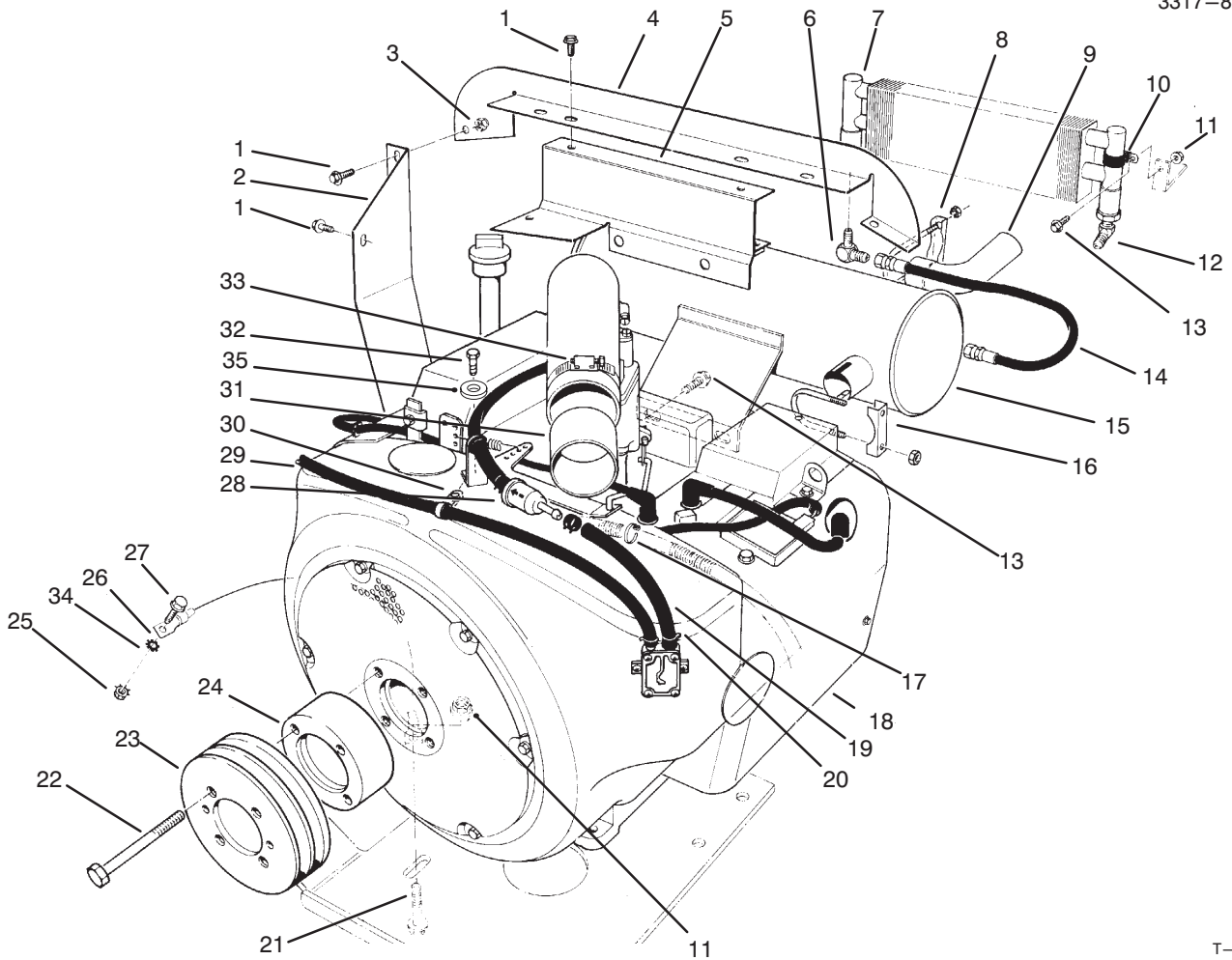
T-0687

**ELECTRICAL SCHEMATIC**

Ref. No.	Part No.	Description	No. Used
1	86-9470	Harness - Wire (Incl. Ref. #2)	1
2	86-7470	Diode	1
3	27-5090	Wire - Battery Ground	1
4	72-4020	Housing - Tab	1
*	72-4040	Terminal - Tab	4

Ref. No.	Part No.	Description	No. Used
5	72-4010	Housing - Receptacle	1
*	72-4000	Terminal - Receptacle	5
*	72-4030	Housing	1
*	71-6070	Harness - Wiring	1
*	72-3990	Terminal - Ring	1
*	28-1280	Boot - Battery Cable	1

\*Not Illustrated

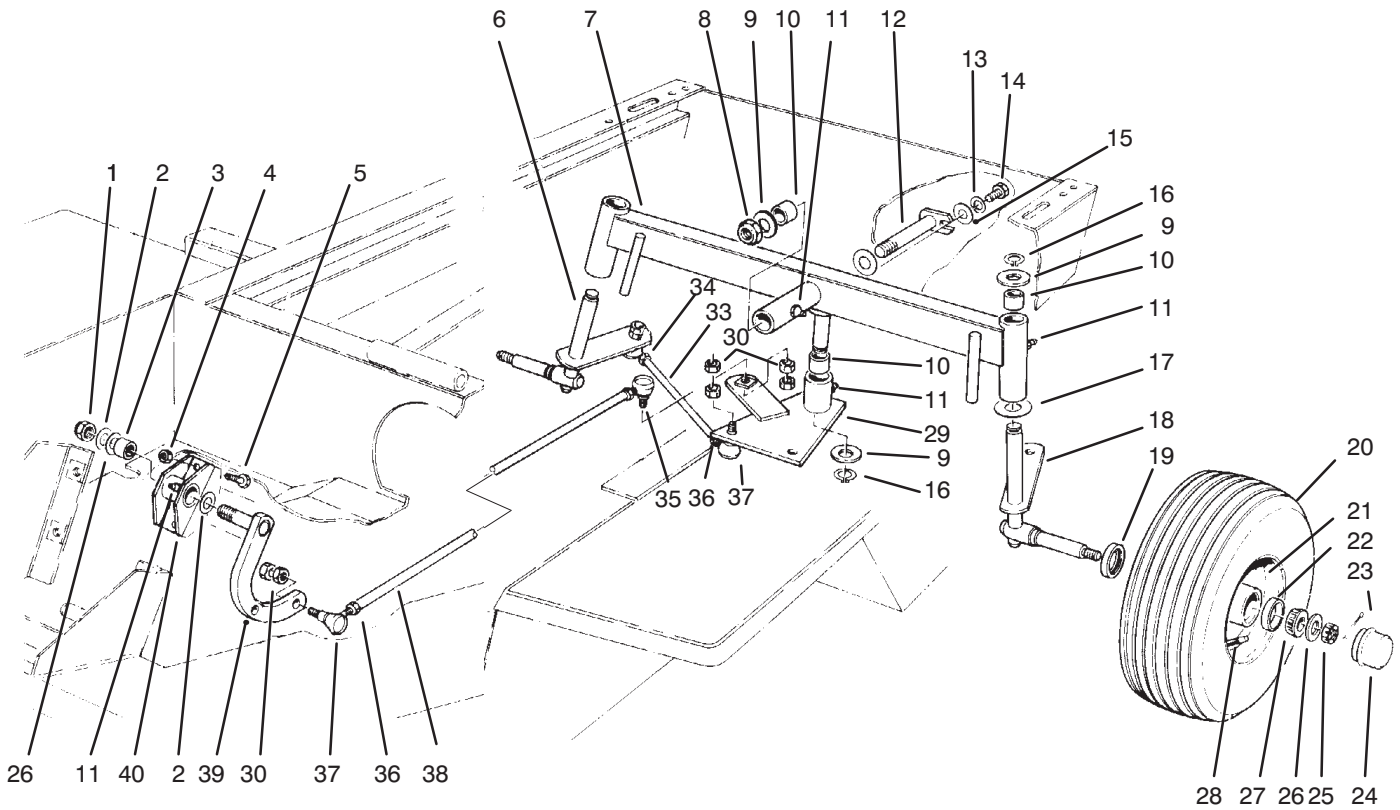


T-0688

## ENGINE ASSEMBLY

Ref. No.	Part No.	Description	No. Used	Ref. No.	Part No.	Description	No. Used
1	3234-13	Screw - Hex Flange. Hd.	10	18	94-1812	Engine - Onan (Model No. P220G-I/10808G)	1
2	44-8690	Shield - Heat	1	19	59-0710	Hose - Fuel	1
3	3296-16	Nut - Lock	1	20	2412-36	Clamp - Hose	5
4	44-8710	Shroud - Engine	1	21	3234-18	Screw - Hex. Flange Hd.	2
5	44-9010	Bracket - Shield Support	1	22	3235-23	Screw - Hex. Hd.	4
6	353-428	Elbow - Male 90°	1	23	43-5340	Pulley - Engine	1
7	22-7320	Cooler - Oil	1	24	71-0700	Spacer	1
8	2112-9	Clamp	1	25	32149-2	Nut - Lock	1
9	72-7930	Extension	1	26	10-7160	Assembly - Wire	2
10	2412-39	"R" Clamp	2	27	3234-4	Screw - Flange Hex. Hd.	1
11	3290-357	Nut - Flange Lock	4	28	71-5960	Filter - Fuel	1
12	353-714	Elbow - Male 45°	1	29	71-3370	Line - Fuel	1
13	3234-11	Screw - Flange Lock	4	30	2412-142	"R" Clamp	1
14	44-9020	Oil Hose Assembly	1	31	44-9450	Adapter - Air Inlet	1
15	72-7920	Muffler	1	32	49-2040	Screw - Self Tapping	1
*	46-2390	Muffler - Spark Arrester (Optional)	1	33	2412-42	Clamp - Hose	1
16	2412-37	Clamp - Muffler	2	34	3255-7	Washer - Lock	1
17	3290-378	Tie - Cable	3	35	3256-3	Washer	1

\*Not Illustrated



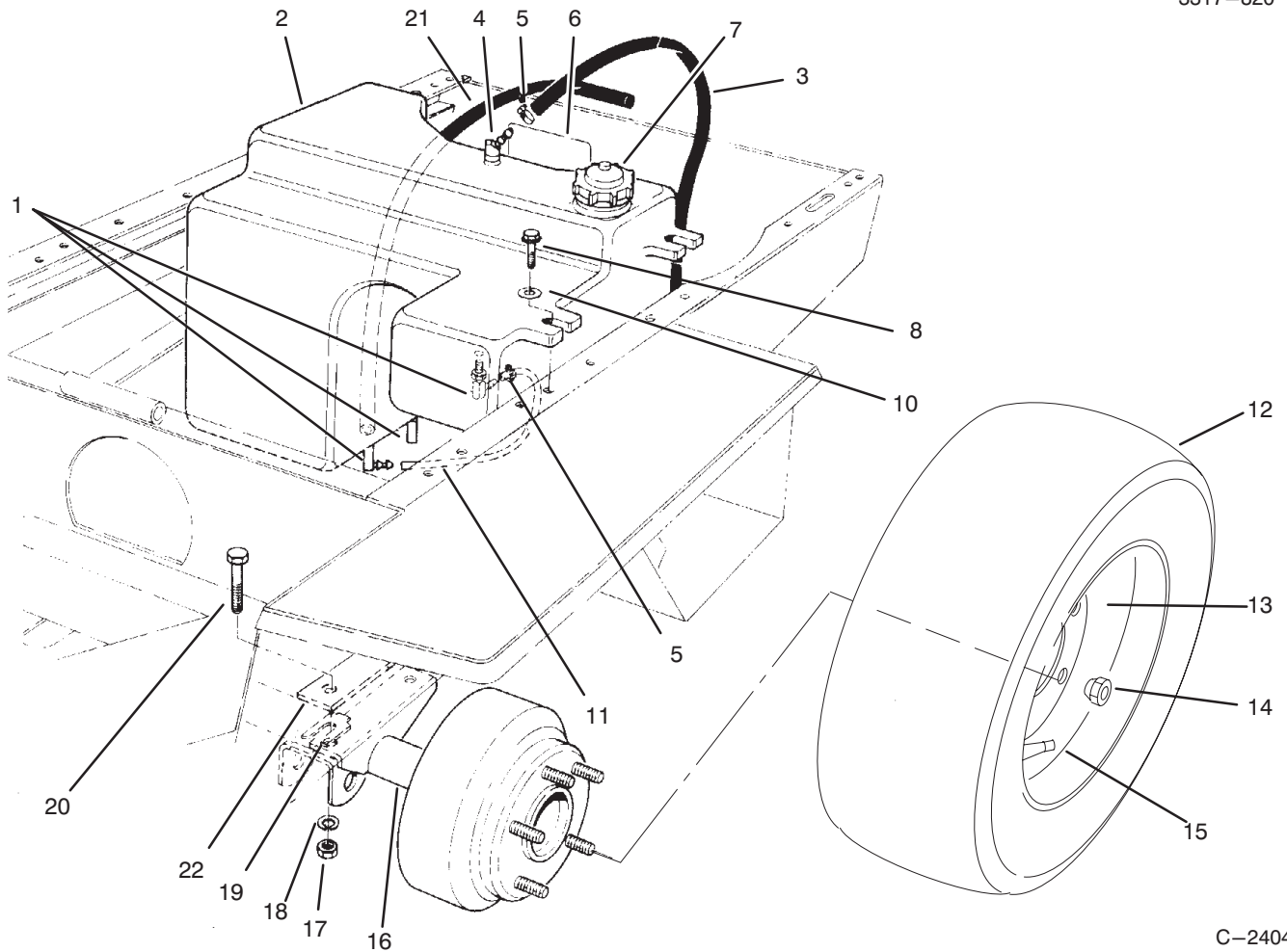
C-2403

## REAR AXLE ASSEMBLY

Ref. No.	Part No.	Description	No. Used
1	3296-15	Nut - Lock	1
2	3-6514	Washer - Thrust	2
3	252-6	Bearing	2
4	3296-44	Nut - Lock	2
5	323-5	Screw - Hex. Hd.	2
6	39-8900	Spindle - R.H.	1
7	44-9090	Axle - Rear (Incl. Ref. #10 & 11)	1
8	3296-49	Nut - Lock	1
9	10-8110	Washer	4
10	3-0348	Bushing	8
11	302-5	Fitting - Grease	4
12	27-4060	Pin - Rear Axle	1
14	3234-13	Screw - Hex. Flange Hd.	1
16	32151-36	Ring - Retaining	3
17	256-121	Bushing	2
18	39-8850	Spindle - L.H.	1
19	253-129	Seal - Oil	2
20	231-104	Tire	2
*	232-39	Tube - Inner (Optional)	2

Ref. No.	Part No.	Description	No. Used
21	217-108	Rim (Incl. Ref. #22)	2
22	254-72	Cup - Bearing	4
23	3272-13	Pin - Cotter	2
24	241-119	Cap - Dust	2
25	32136-5	Nut - Hex. Castle	2
26	3256-28	Washer - Flat	3
27	254-94	Cone - Bearing	4
28	232-35	Valve Stem w/Cap	2
29	44-9120	Steering Plate Assembly (Incl. Ref. #10 & 11)	1
30	3220-3	Nut - Jam	12
33	27-4090	Rod - Tie	2
34	3220-12	Nut - Hex. Jam	3
35	21-0151	Socket Assembly L.H.	3
36	3220-5	Nut - Hex. Jam	3
37	21-0141	Socket Assembly R.H.	3
38	44-9110	Tube - Steering	1
39	27-5230	Arm - Pivot	1
40	27-3640	Pivot Mount Assembly (Incl. Ref. #3 & 11)	1

\*Not Illustrated



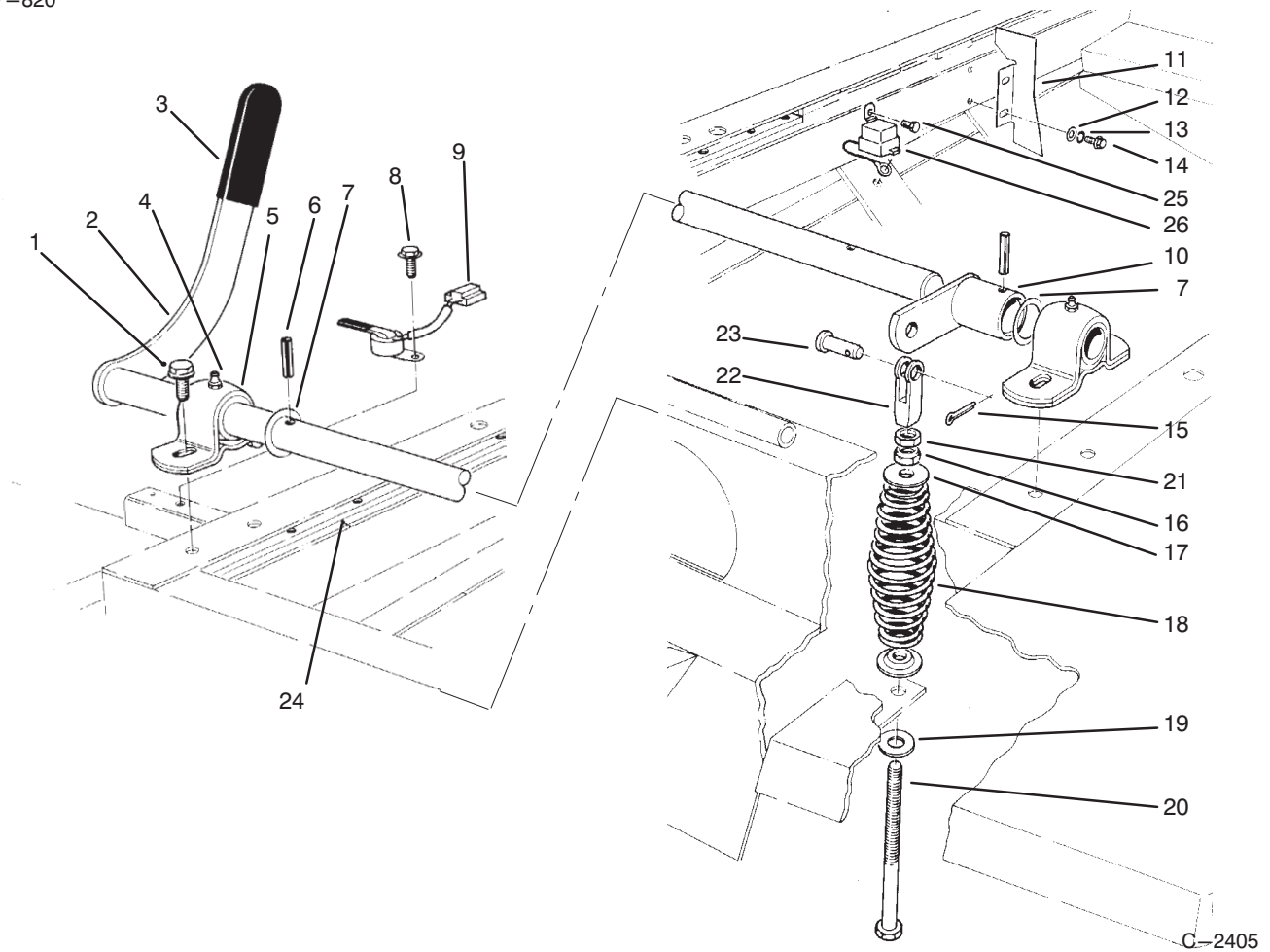
C-2404

## FUEL TANK & AXLE ASSEMBLY

Ref. No.	Part No.	Description	No. Used
1	353-536	Elbow - 90°	3
2	43-5350	Tank - Fuel (Incl. Ref. #1 & 3)	1
3	37-9920	Hose	1
4	353-705	45° Elbow	1
5	2412-108	Clamp - Worm Drive	5
6	43-8480	Decal - Danger	1
7	55-3574	Cap - Fuel	1
8	3234-18	Screw - Hex. Hd.	3
10	3256-41	Washer - Flat	3
11	61-9650	Hose - Fuel	1
12	231-103	Tire	2

Ref. No.	Part No.	Description	No. Used
13	217-107	Rim	2
14	242-35	Nut - Hex.	10
15	232-35	Valve Stem w/Cap	2
16	86-9660	Axle Assembly	1
17	3217-8	Nut - Hex.	4
18	3253-6	Washer - Lock	4
19	42-6080	Shim - Axle	A/R
20	324-9	Screw - Hex. Hd.	4
21	71-3370	Hose - Fuel	1
22	92-6312	Spacer	2
*	232-43	Tube - Inner (Optional)	2

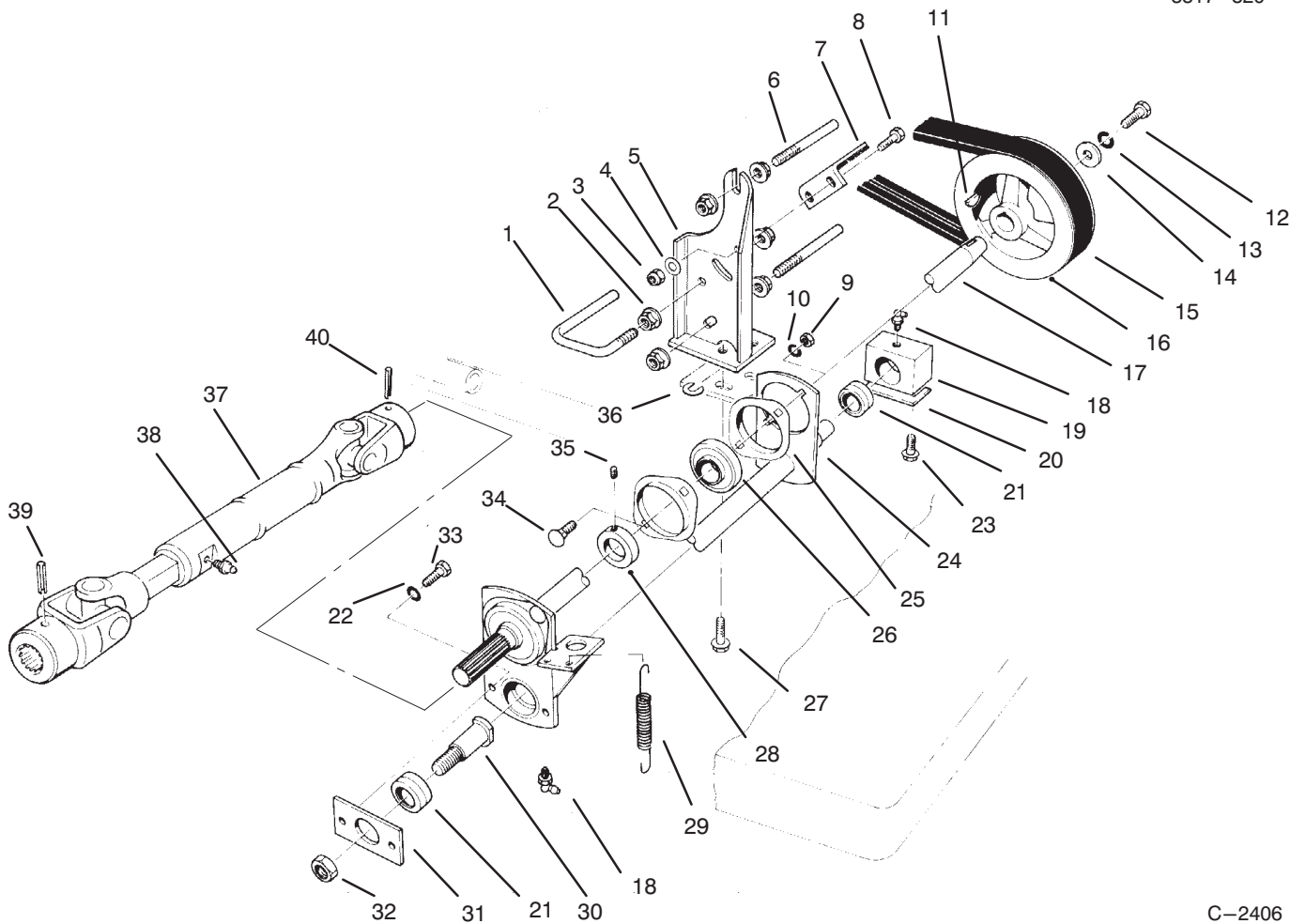
\*Not Illustrated



## POWER TAKE-OFF LEVER ASSEMBLY

Ref. No.	Part No.	Description	No. Used
1	3234-4	Screw - Hex. Flange Hd.	4
2	27-4910	Lever - Power Take-Off	1
3	21-1880	Grip - Handle	1
4	302-5	Fitting - Grease	2
5	251-269	Bearing - Pillow Block	2
6	32121-31	Pin - Roll	2
7	3-6514	Washer	2
8	32104-116	Screw - Flange Hex. Hd.	1
9	29-6930	Arm - Switch	1
10	47-4780	Arm - Engagement	1
11	44-8680	Shield - Heat	1
12	3256-23	Washer - Flat	2
13	3253-4	Washer - Lock	2

Ref. No.	Part No.	Description	No. Used
14	32144-11	Screw - Self Tap. Hex. Hd.	2
15	3272-5	Pin - Cotter	1
16	3296-5	Nut - Lock	1
17	44-8890	Retainer - Spring	2
18	44-8820	Spring - Compression	1
19	3256-41	Washer - Flat	1
20	27-7900	Screw - Adjusting	1
21	3220-3	Nut - Hex. Jam	1
22	281-1	Yoke	1
23	283-42	Pin - Clevis	1
24	37-7060	Bar - Frame Rail	2
25	63-7590	Relay	1
26	32104-17	Screw - Flange Hex. Hd.	1

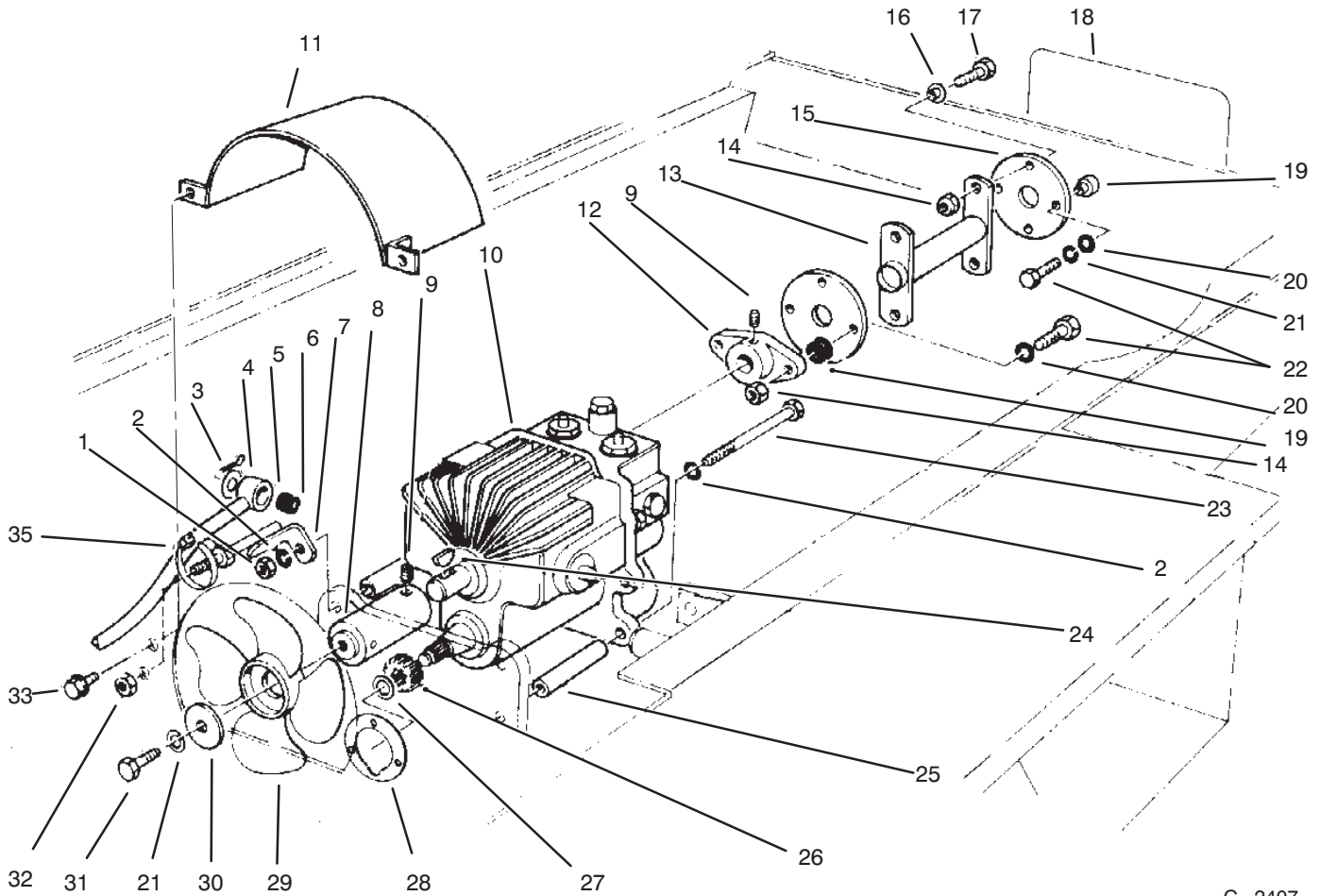


C-2406

## POWER TAKE-OFF ASSEMBLY

Ref. No.	Part No.	Description	No. Used
1	44-9220	Guide - Belt (Lower)	1
2	3290-357	Nut - Flange Lock	6
3	3296-29	Nut - Lock	2
4	3256-23	Washer - Flat	2
5	44-9310	Bracket - Brake	1
6	44-9230	Guide - Belt	2
7	44-9330	Support Pad Assembly Power Take-Off Brake	1
8	322-4	Screw - Hex. Hd.	2
9	3217-6	Nut - Hex.	4
10	3253-4	Washer - Lock	4
11	3257-5	Key - Woodruff	1
12	323-18	Screw - Hex. Hd.	1
13	3253-21	Washer - Lock	1
14	29-4730	Washer	1
15	44-8990	V-Belt - Torque Team	1
16	43-5320	Pulley - P.T.O.	1
17	27-4980	Shaft - P.T.O.	1
18	302-40	Fitting - Grease	2
19	28-9050	Hub - Bearing	1
20	47-4760	Shim - P.T.O. Block	1

Ref. No.	Part No.	Description	No. Used
21	251-268	Bearing	2
22	3253-3	Washer - Lock	2
23	3234-21	Screw - Hex. Flange Hd.	2
24	44-9350	Arm - Engagement	1
25	251-255	Bearing - Flange	4
26	251-253	Bearing w/Collar (Incl. Ref. #28 & 35)	2
27	3234-11	Screw - Hex. Hd.	3
28	251-77	Collar - Locking	2
29	28-8950	Spring - Extension	2
30	27-6970	Stud - Bearing	1
31	27-6650	Retainer - Bearing	1
32	3296-33	Nut - Lock	1
33	321-3	Screw - Hex. Hd.	2
34	3230-16	Bolt - Carriage	4
35	3245-1	Screw - Set	2
36	28-5640	Washer - Special	A/R
37	27-4520	U/Joint Shaft Assembly	1
38	302-5	Fitting - Grease	1
39	32121-34	Pin - Roll	1
40	32121-119	Pin - Roll	1

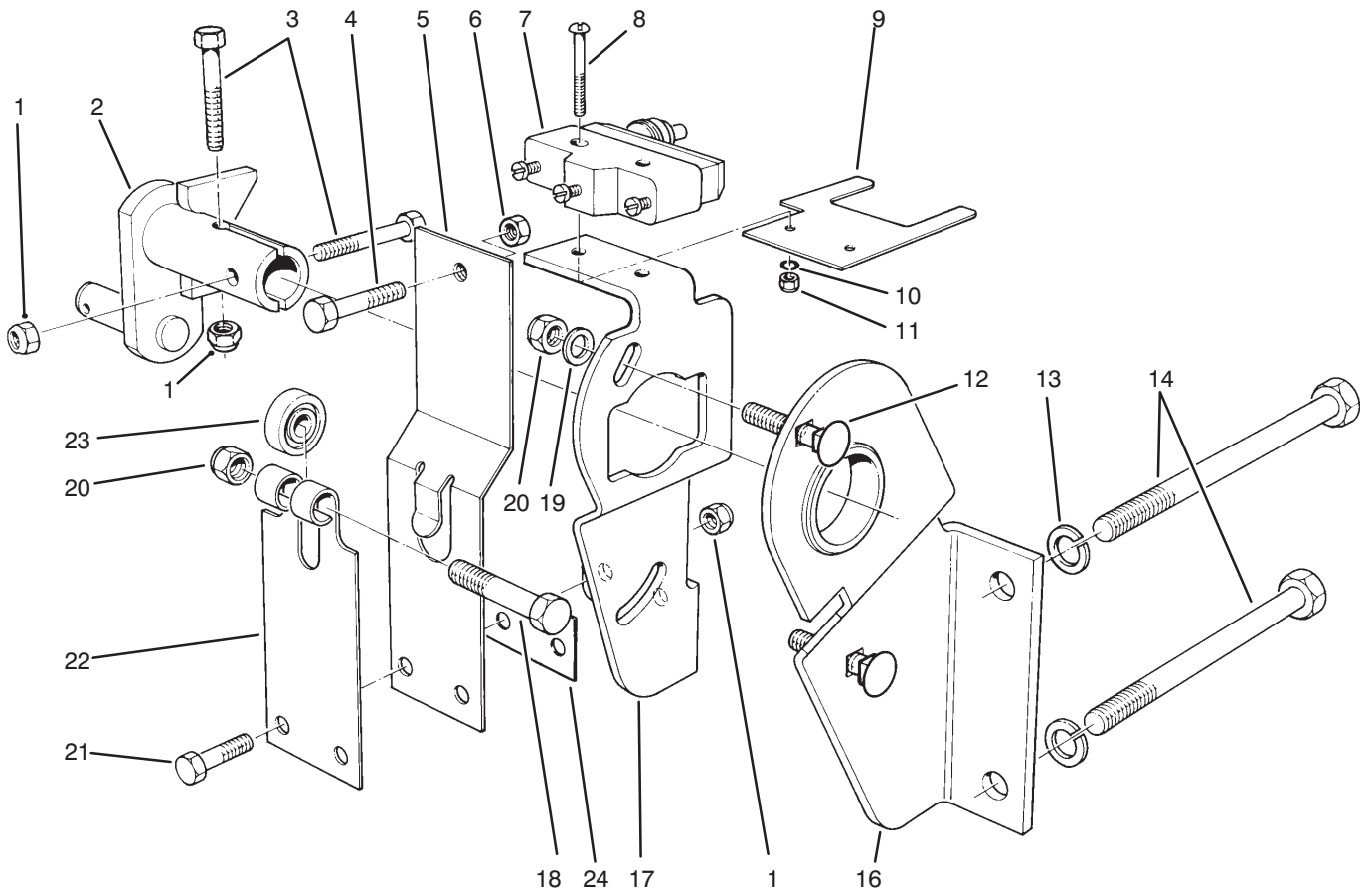


C-2407

## TRANSMISSION & DRIVE COUPLING ASSEMBLY

Ref. No.	Part No.	Description	No. Used
1	3217-7	Nut - Hex.	1
2	3253-21	Washer - Lock	3
3	3272-10	Pin - Cotter	1
4	3256-26	Washer - Flat	1
5	27-4160	Tube - Pump Control	1
6	23-2270	Bushing - Rubber	1
7	27-5310	Support - Axle	1
8	27-4340	Assembly - Hub & Plug	1
9	3245-1	Screw - Set	4
10	49-7910	Transmission	1
11	27-3270	Shroud - Fan	1
12	27-4370	Hub - Pump	1
13	44-8720	Shaft - Drive	1
14	32152-5	Nut - Lock	6
15	44-2230	Coupling - Rubber	2
16	27-6600	Spacer - Rubber Coupling	4
17	3210-5	Screw - Hex. Hd.	4

Ref. No.	Part No.	Description	No. Used
19	33-2020	Spacer	4
20	3256-3	Washer - Flat	4
21	3253-4	Washer - Lock	2
22	3210-8	Screw - Hex. Hd.	4
23	323-38	Screw - Hex. Hd.	2
24	3257-5	Key - Woodruff	2
25	27-3680	Spacer - Mounting	4
26	86-7220	Gear - Spur	1
27	32120-72	Ring - Retaining	1
28	27-3690	Gasket - Transmission	1
29	27-3740	Fan	1
30	27-4360	Washer	1
31	322-5	Screw - Hex. Hd.	1
32	3218-5	Nut - Hex. Jam	2
33	3234-13	Screw - Hex. Flange Hd.	2
35	3290-378	Tie - Cable	1

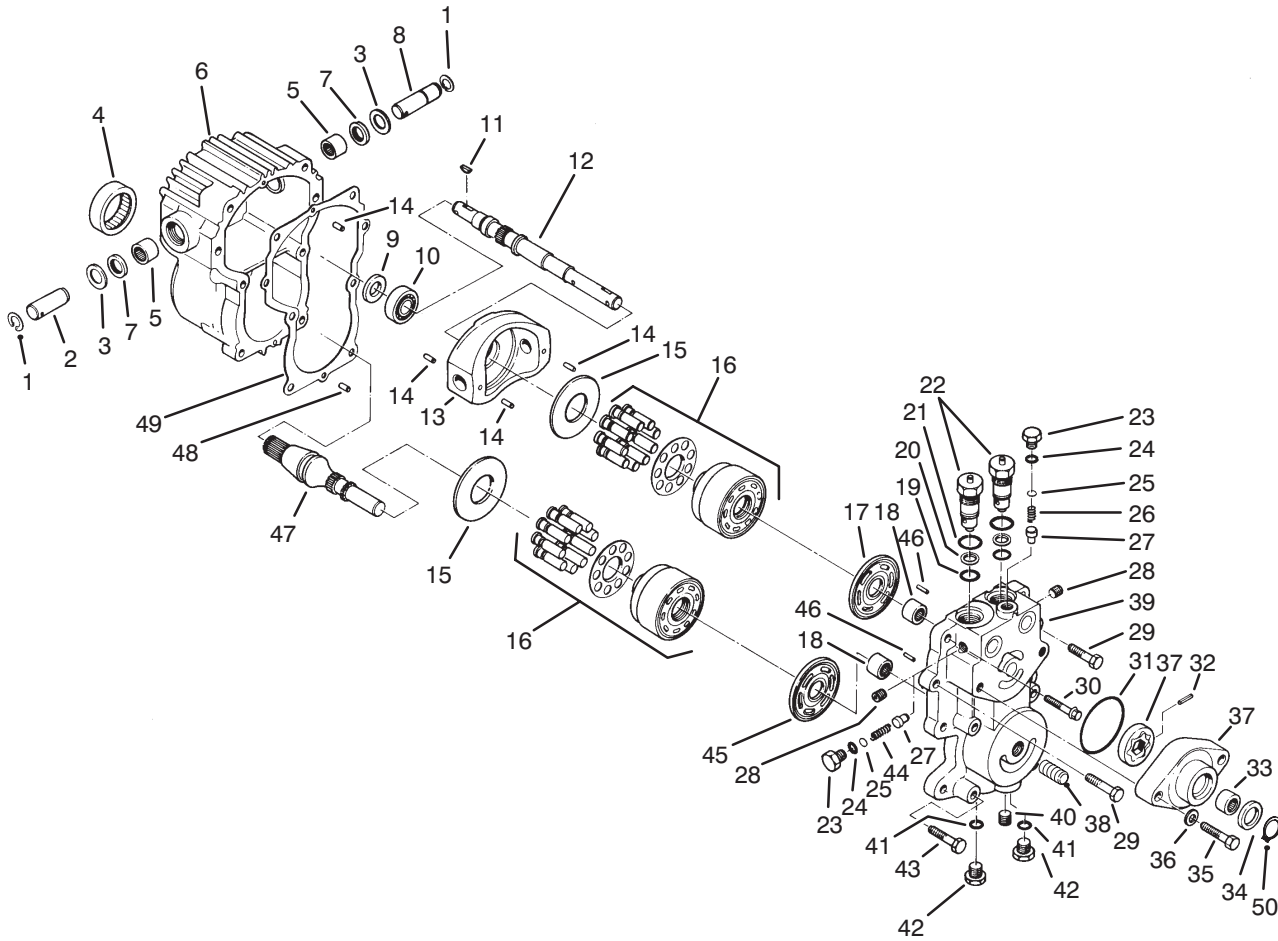


T-0538

## TRANSMISSION INTERLOCK ASSEMBLY

Ref. No.	Part No.	Description	No. Used
1	3296-42	Nut - Lock	4
2	29-9790	Pump - Lever	1
3	321-9	Screw - Hex. Hd.	2
4	3210-7	Screw - Hex. Hd.	1
5	29-6170	Spring - Extended Leaf	1
6	3219-2	Nut - Hex.	1
7	29-6163	Micro Switch	1
8	3249-11	Screw - Round Hd.	2
9	46-8810	Stop - Leaf Spring	1
10	3254-9	Washer - Int. Tooth	2
11	3217-16	Nut - Hex.	2
12	3230-2	Carriage - Bolt	2

Ref. No.	Part No.	Description	No. Used
13	3253-21	Washer - Lock	2
14	323-39	Screw - Hex. Hd.	2
16	52-8890	Bracket - Mounting	1
17	52-9070	Plate - Pump	1
18	322-17	Screw - Hex. Hd.	1
19	3256-2	Washer - Flat	2
20	3296-29	Nut - Lock	3
21	321-4	Screw - Hex. Hd.	2
22	29-6150	Spring - Leaf	1
23	251-259	Bearing - Ball	1
24	51-3150	Shim	1

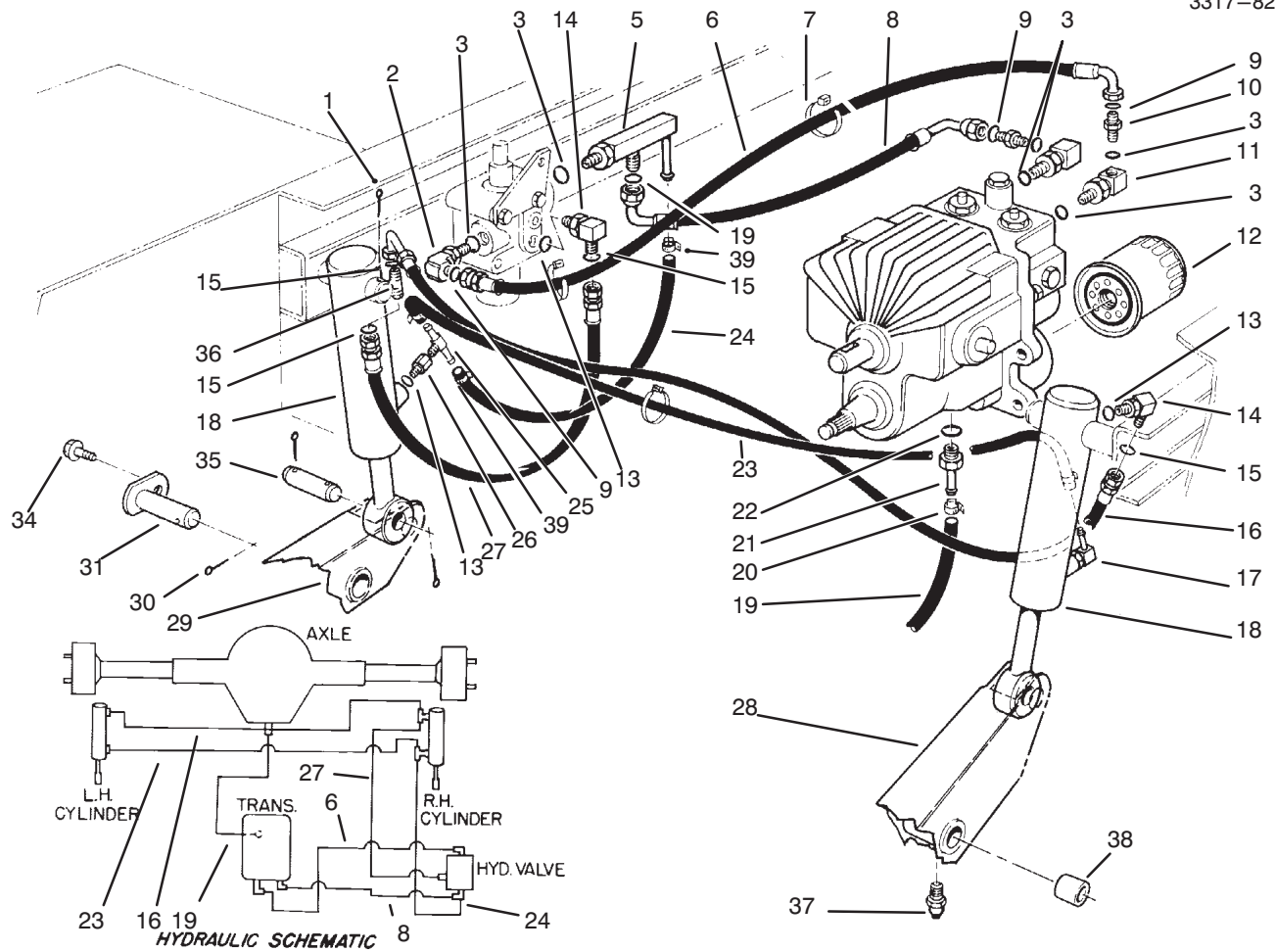


T-0536

## TRANSMISSION ASSEMBLY NO. 49-7910

Ref. No.	Part No.	Description	No. Used
1	32151-46	Ring - Retaining	2
2	25-2500	Shaft - Trunion	1
3	25-2510	Washer	2
4	28-3300	Bearing - Roller	1
5	28-3310	Bearing - Needle	2
6	49-7870	Housing	1
7	25-3210	Lip Seal	2
8	28-3670	Shaft - Trunion	1
9	28-3660	Lip Seal	1
10	28-3650	Bearing - Ball	1
11	3257-5	Key - Woodruff	2
12	28-3640	Shaft - Pump	1
13	49-7820	Variable Swashplate	1
14	32121-91	Pin	3
15	25-2380	Plate - Thrust	2
16	48-1800	Kit - Cylinder Block	2
17	46-7320	Plate - Pump Valve	1
18	25-3300	Bearing - Needle	2
19	28-3590	"O"Ring	2
20	28-3580	Ring - Backup	2
21	28-3570	"O"Ring	2
22	49-7830	Assembly - Check Valve (Incl. Ref. #19-21)	2
23	25-2460	Hex Hd. Plug	2
24	28-3400	"O"Ring	2
25	25-2470	Shim Pack	A/R

Ref. No.	Part No.	Description	No. Used
26	46-7310	Relief Valve Spring Imp.	1
27	28-3420	Relief Valve Cone Charge	2
28	285-17	Plug - Pipe	4
29	323-8	Screw - Hex. Hd.	2
30	28-3530	Screw - Hex. Hd.	2
31	28-3520	"O"Ring	1
32	38-2680	Pin	1
33	28-3480	Bearing - Needle	1
34	28-3470	Lip Seal	1
35	324-23	Screw - Hex. Hd.	2
36	28-3450	Washer - Flat	2
37	38-2670	Kit - Charge Pump (Incl. Ref. #31-34)	1
38	25-2660	Union - Filter	1
39	49-7850	Center Section	1
40	46-7280	Plug - Pipe	1
41		"O"Ring	2
42	28-3440	Threaded Plug (Incl. Ref. #41)	2
43	323-10	Screw - Hex. Hd.	4
44	25-2480	Relief Valve Spring Charge	1
45	28-3380	Plate - Motor Valve	1
46	25-2430	Pin	2
47	49-8200	Shaft - Motor	1
48	28-3350	Pin	2
49	28-3340	Gasket	1

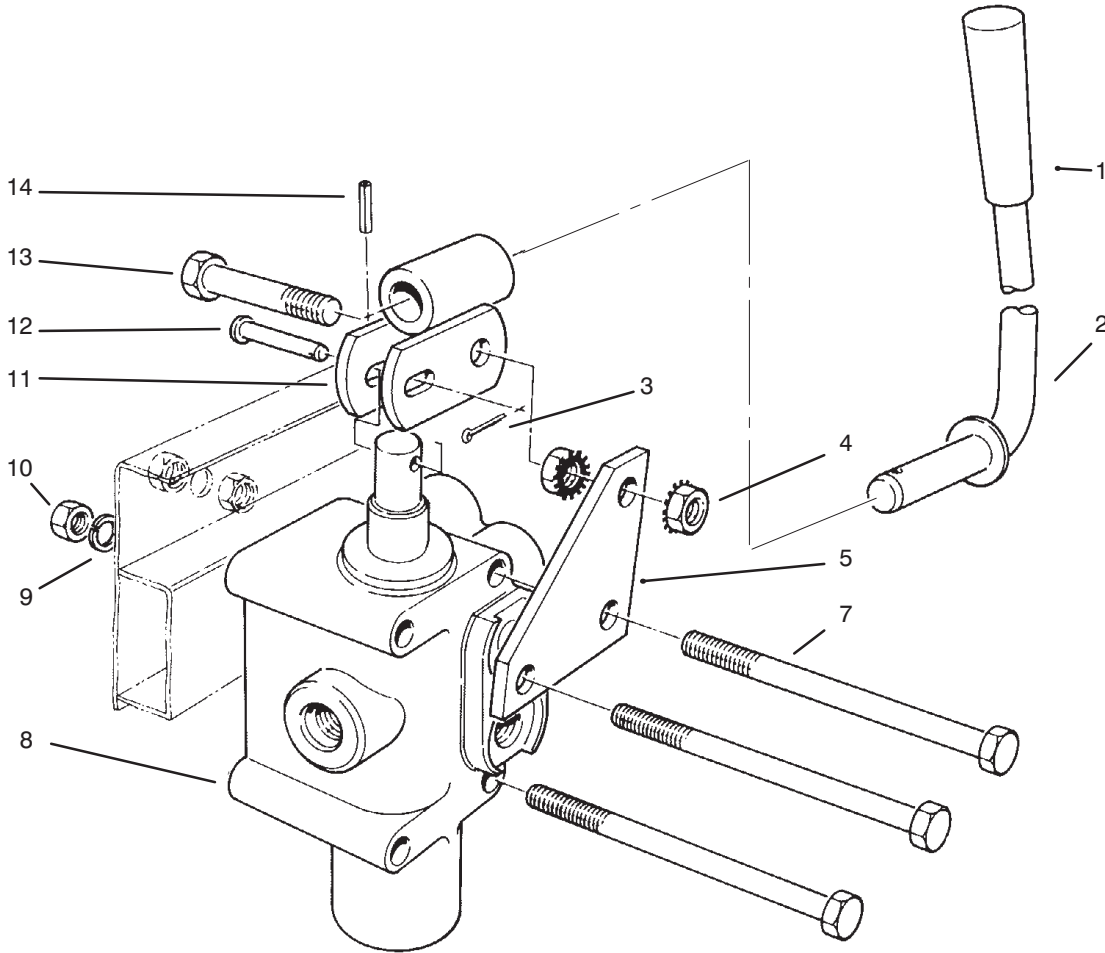


T-0691

## HYDRAULIC VALVE & LIFT ARM CYLINDERS

Ref. No.	Part No.	Description	No. Used
1	3272-23	Pin - Cotter	6
2	340-77	90° Elbow	1
3	237-42	"O"Ring	6
5	71-0590	Assembly - Fitting	1
6	71-0670	Hose - Trans. to Valve	1
7	3290-378	Tie - Cable	3
8	66-8190	Hose	1
9	237-22	"O"Ring	4
10	82-8530	Fitting - Straight	2
11	66-3110	Fitting	2
12	23-2300	Filter - Oil	1
13	237-78	"O"Ring	3
14	71-3270	90° Elbow	2
15	237-150	"O"Ring	4
16	71-0680	Hose	1
17	304-99	90° Barb Hose Stem	1
18	68-9700	Assembly - Hyd. Cylinder	2
19	66-8130	Hose	1
20	2412-36	Clamp - Worm Drive	4

Ref. No.	Part No.	Description	No. Used
21	354-24	Fitting (Incl. Ref. #22)	1
22	237-80	"O"Ring	1
23	27-4480	Hose - Pressure, Low	1
24	71-3770	Hose - Pressure, Low	1
25	353-567	Fitting - Tee, Male	1
26	353-565	Fitting - Connector	1
27	71-0690	Hose - Cyl. Tee to Valve	1
28	76-3090	Arm - Lift, L.H.	1
29	76-3080	Arm - Lift, R.H.	1
30	3272-17	Pin - Cotter	2
31	27-4310	Pin - Pivot	2
34	3232-13	Screw - Hex. Flange Hd.	2
35	27-4240	Pin - Cylinder	2
36	340-125	Fitting - Tee, Adjustment	1
37	302-62	Fitting - Grease	2
38	256-101	Bushing	4
39	2412-108	Clamp	4

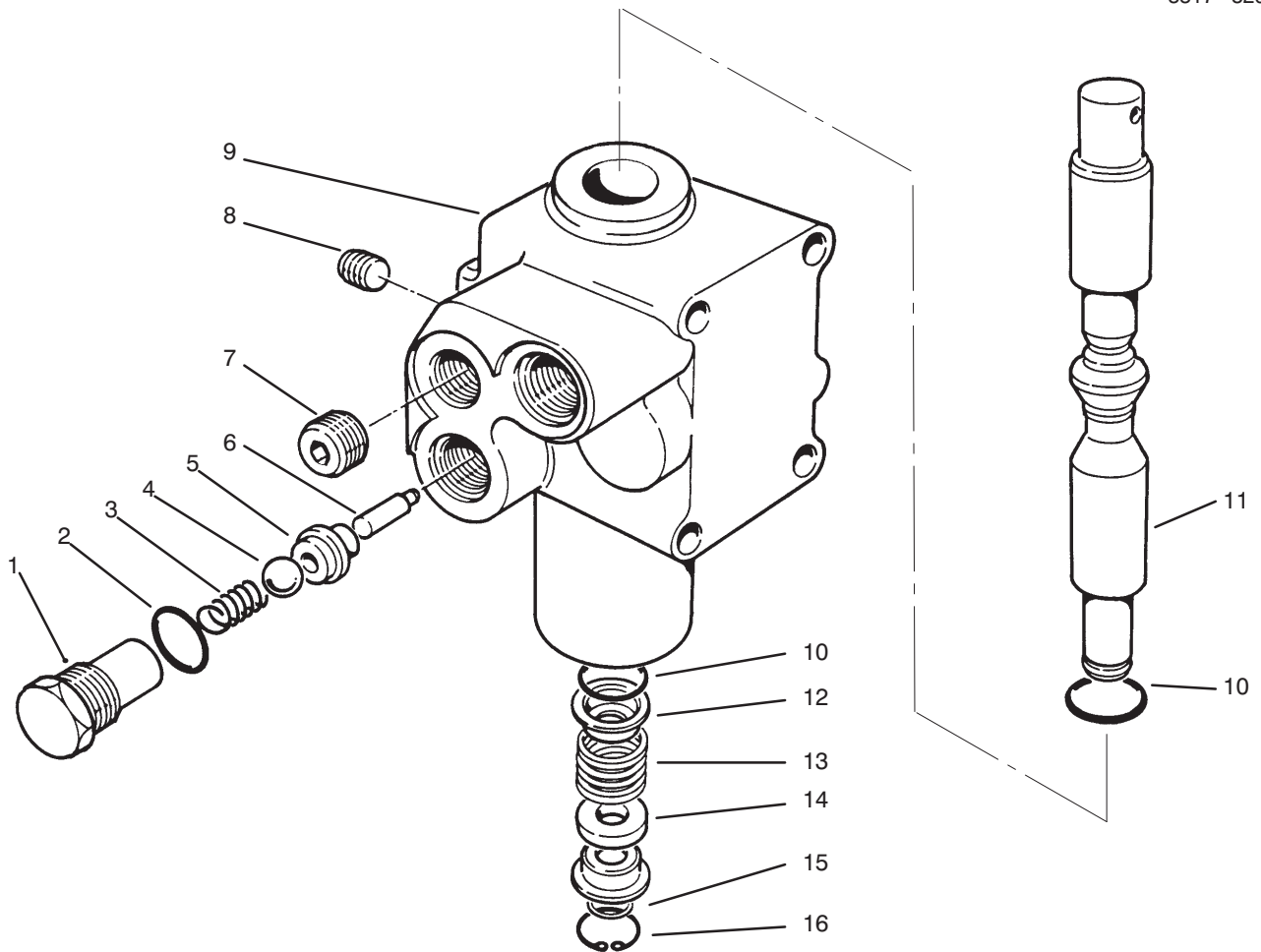


T-0704

## VALVE & LEVER ASSEMBLY

Ref. No.	Part No.	Description	No. Used
1	233-39	Knob	1
2	27-4200	Lever - Valve	1
3	3272-6	Pin - Cotter	1
4	32149-2	Nut - Lock	2
5	27-4230	Bracket - Valve	1
7	321-24	Screw - Hex. Hd.	3
8	43-1700	Valve - Hydraulic	1

Ref. No.	Part No.	Description	No. Used
9	3253-3	Washer - Lock	2
10	32128-33	Nut - Hex. Flange Hd.	4
11	27-4220	Link - Lever, Valve	1
12	283-17	Pin - Clevis	1
13	321-10	Screw - Hex. Hd.	1
14	32121-73	Pin - Roll	1

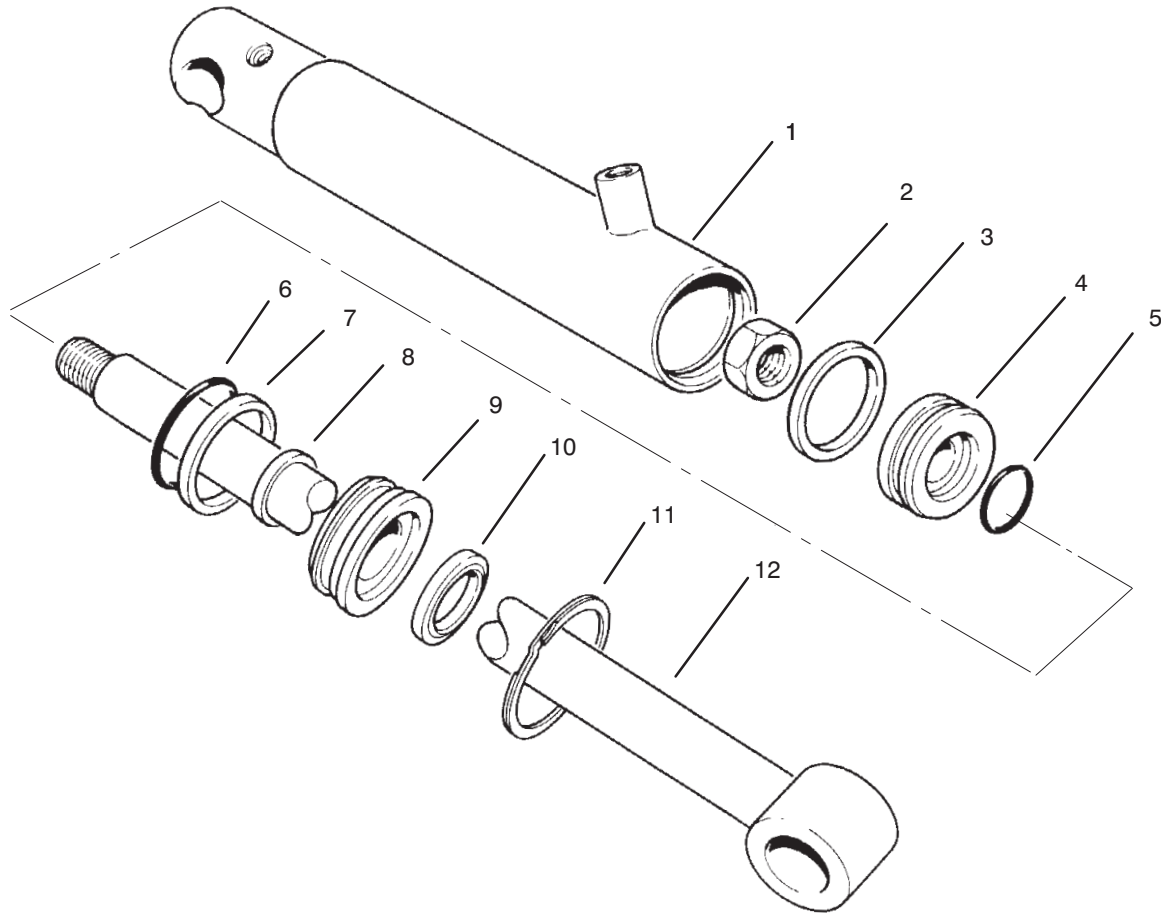


T-0692

### VALVE ASSEMBLY NO. 43-1700

Ref. No.	Part No.	Description	No. Used
1	22-8330	Plug	1
2	237-42	"O"Ring	1
3	22-8340	Spring	1
4	22-8350	Ball	1
5	22-8370	Seat - Check Valve	1
6	22-8360	Pin - Cam	1
7	28-1130	Plug	1
8	28-1120	Plug	1

Ref. No.	Part No.	Description	No. Used
9		Body	1
10	22-8500	"O"Ring	2
11	27-5210	Spool	1
12	22-8380	Retainer - Spring	2
13	22-8410	Spring	1
14	27-5200	Spacer - Float	1
15	22-8480	Snap Ring - Spool	1
16	22-8490	Ring - Retaining	1



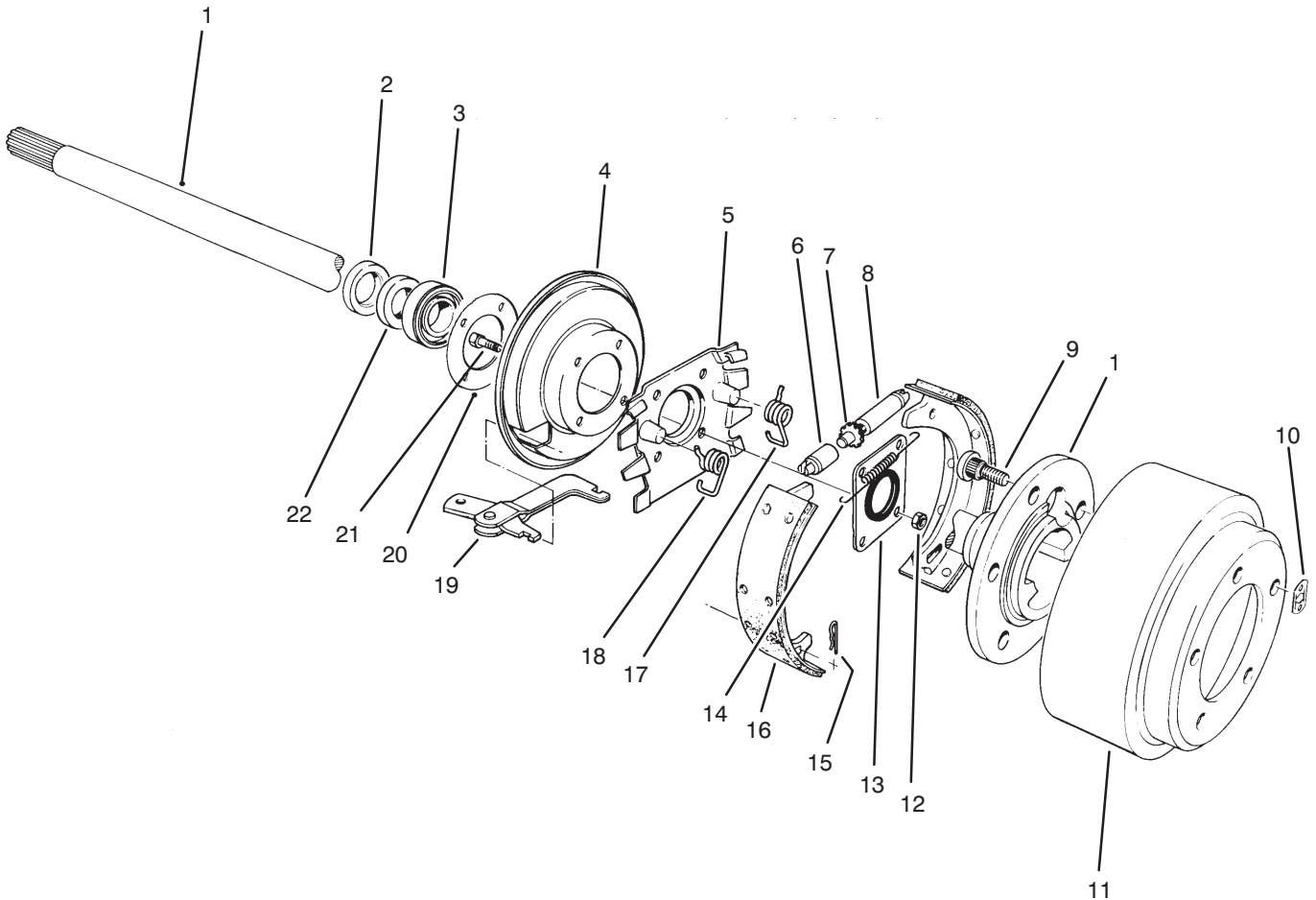
T-0689

## HYDRAULIC CYLINDER NO. 68-9700

Ref. No.	Part No.	Description	No. Used
1		Assembly – Tube	1
2	32152-10	Nut – Jam	1
3		Uniring	3
4	70-2780	Piston	1
5		"O"Ring	1
6		"O"Ring, Head	2
7		Backup	1

Ref. No.	Part No.	Description	No. Used
8		Poly-Pack	1
9	70-2770	Head	1
10		Seal – Dust	1
11	43-5220	Ring – Retaining	1
12	43-5230	Shaft w/Clevis	1
*	70-2790	Kit – Seal Repair (Incl. Ref. #3, 5-8 & 10)	1

\*Not Illustrated



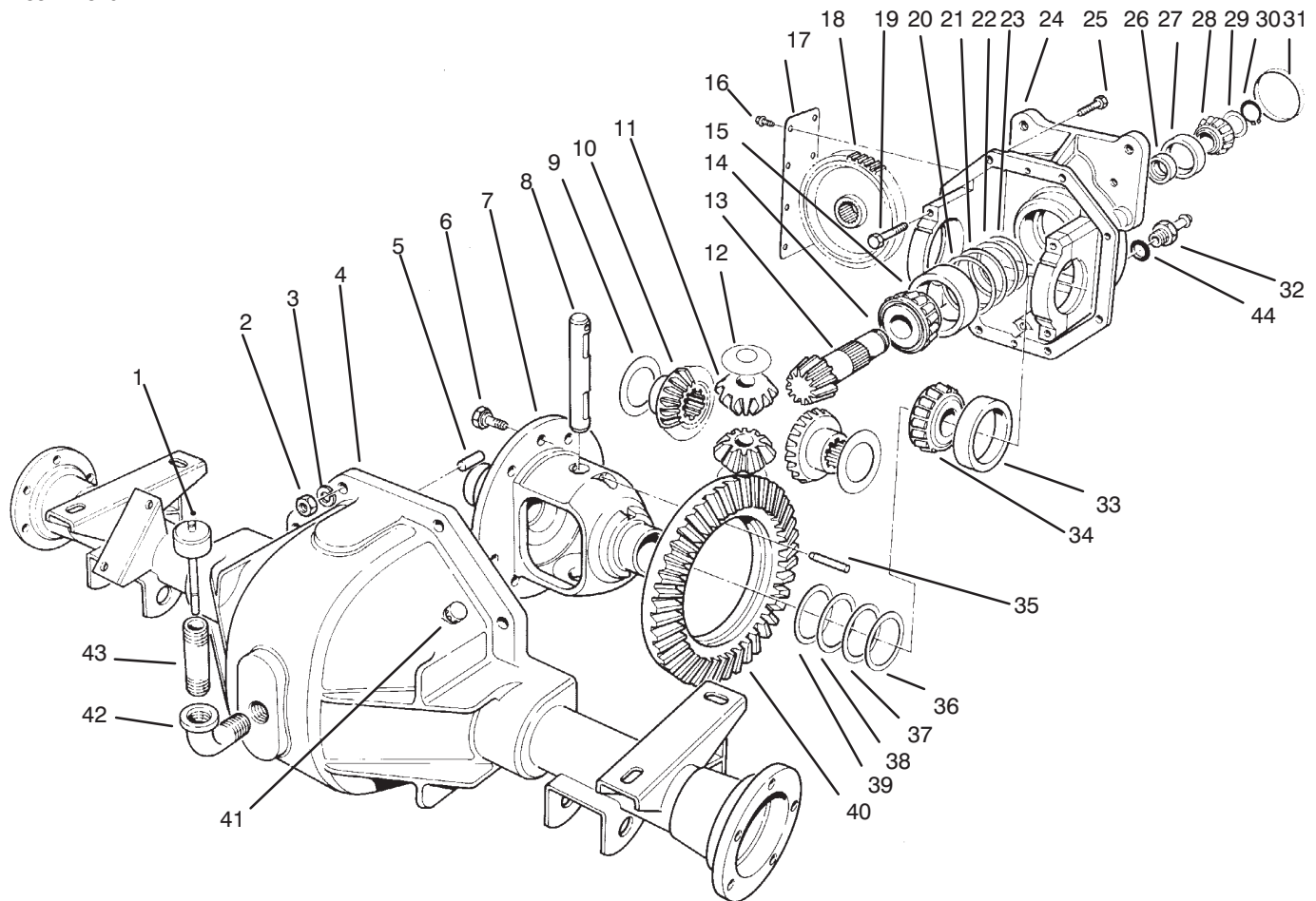
T-0535

## BRAKE ASSEMBLY

Ref. No.	Part No.	Description	No. Used
1	27-6860	Shaft - Axle L.H.	1
*	27-6850	Shaft - Axle R.H.	1
2	21-8330	Oil Seal	2
3	21-8180	Bearing - Tapered Roller	2
4	21-9450	Dust Shield	2
5	40-2190	Torque Spider	2
6	21-9390	Socket - Adjusting Screw	2
7	21-9370	Adjusting Screw	2
8	21-9380	Nut - Pivot	2
9	242-34	Stud - Axle Flange	10
10	21-8360	Clip - Retaining	2
11	28-0680	Brake Drum	2

Ref. No.	Part No.	Description	No. Used
12	43-6800	Nut - Lock, Flange Hd.	8
13	28-0670	Oil Seal	2
14	21-9440	Screw - Spring Adjusting	2
15	21-9460	Retainer - Parking Brake	4
16	43-2690	Assy. - Shoe & Lining	4
17	21-9420	Spring - Shoe Return L.H.	2
18	21-9430	Spring - Shoe Return R.H.	2
19	27-6880	Strut/Lever - Parking Brake	2
20	21-8320	Gasket - Wheel Bearing	2
21	28-0660	Screw - Hex. Hd.	8
22	24-8840	Ring - Wheel Bearing	2
*	84-8600	Set - Brake Shoe (4 Shoes)	1

\*Not Illustrated



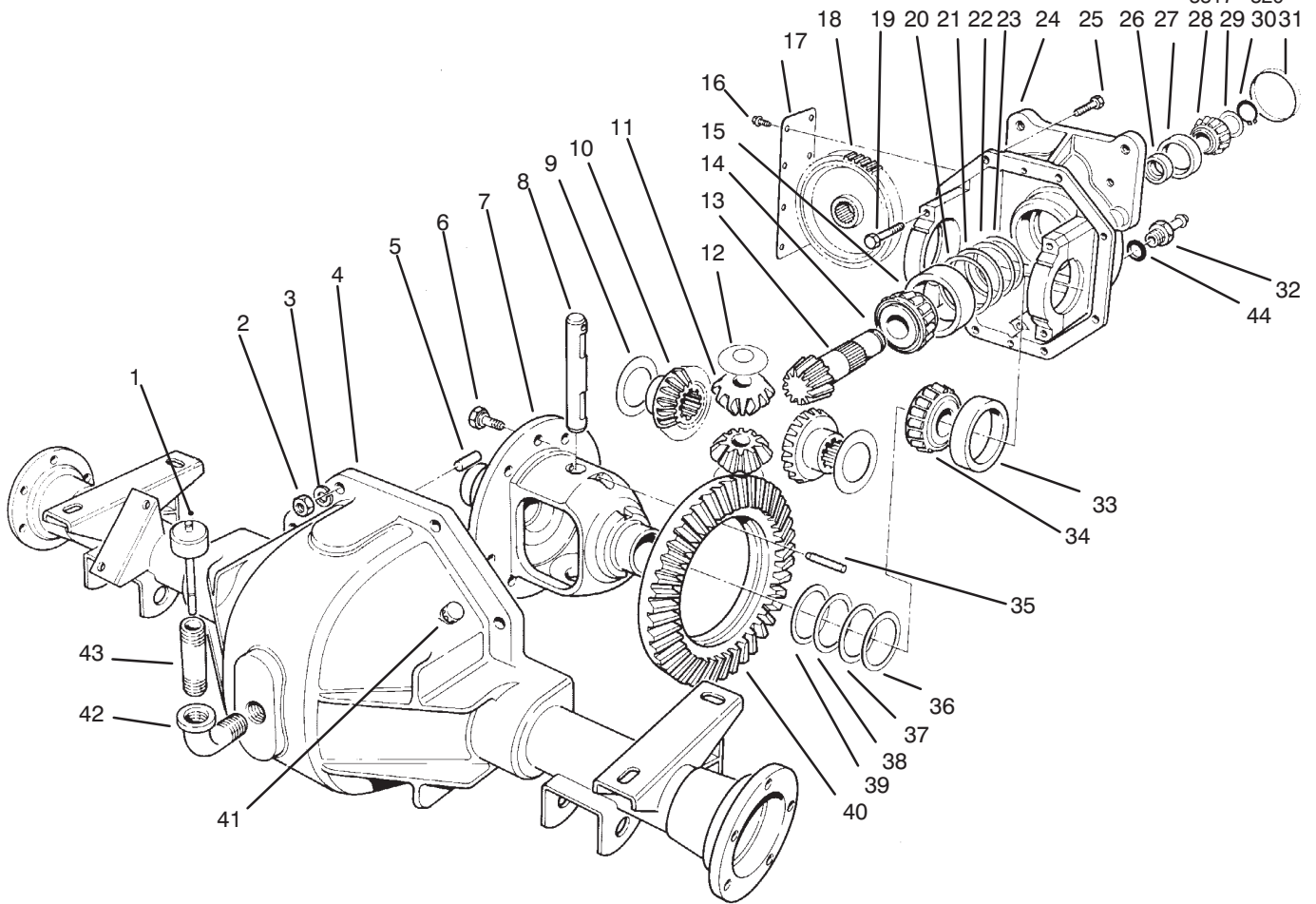
T-0690

## DIFFERENTIAL ASSEMBLY

Ref. No.	Part No.	Description	No. Used
1	27-3710	Dipstick	1
2	3219-2	Nut	8
3	3255-8	Washer - Lock	8
4	43-6850	Assembly - Lower Housing	1
5	21-8270	Pin - Dowel	2
6	21-7770	Screw - Drive Gear	5
7	21-7670	Case - Differential	1
8	21-7700	Shaft - Pinion Mate	1
9	21-7720	Washer - Thrust	2
10	24-8790	Gear - Bevel Diff. Side	2
11	21-7690	Gear - Pinion	2
12	21-7730	Washer - Thrust	2
13		Pinion - Drive (Incl. Ref. #40)	1
14	43-6760	Cone - Bearing	1
15	43-6750	Cup - Bearing	1
16	12-5450	Screw - Thread Forming	8
17	21-7830	Cover - Gear	1
18	86-7230	Gear - Spur	1
19	324-23	Screw - Hex. Hd.	4
20	43-6710	Shim - Adjusting .003	A/R
21	43-6711	Shim - Adjusting .005	A/R
22	43-6712	Shim - Adjusting .010	A/R
23	43-6713	Shim - Adjusting .030	A/R
24	86-7930	Upper Housing Assembly (Incl. Ref. #19)	1

Ref. No.	Part No.	Description	No. Used
25	3210-7	Screw - Hex. Hd.	8
26	21-8020	Spacer - Bearing Frt. Pinion	1
27	254-90	Cup - Bearing	1
28	254-91	Cone - Bearing	1
29	46-2210	Shim - Front Pinion Bearing (.031)	A/R
*	46-2211	Shim - Front Pinion Bearing (.033)	A/R
*	46-2212	Shim - Front Pinion Bearing (.035)	A/R
*	46-2213	Shim - Front Pinion Bearing (.037)	A/R
*	46-2214	Shim - Front Pinion Bearing (.039)	A/R
*	46-2215	Shim - Front Pinion Bearing (.041)	A/R
*	46-2216	Shim - Front Pinion Bearing (.043)	A/R
*	46-2220	Shim - Front Pinion Bearing (.045)	A/R
*	46-2221	Shim - Front Pinion Bearing (.047)	A/R
*	46-2222	Shim - Front Pinion Bearing (.049)	A/R
*	46-2223	Shim - Front Pinion Bearing (.051)	A/R

\*Not Illustrated



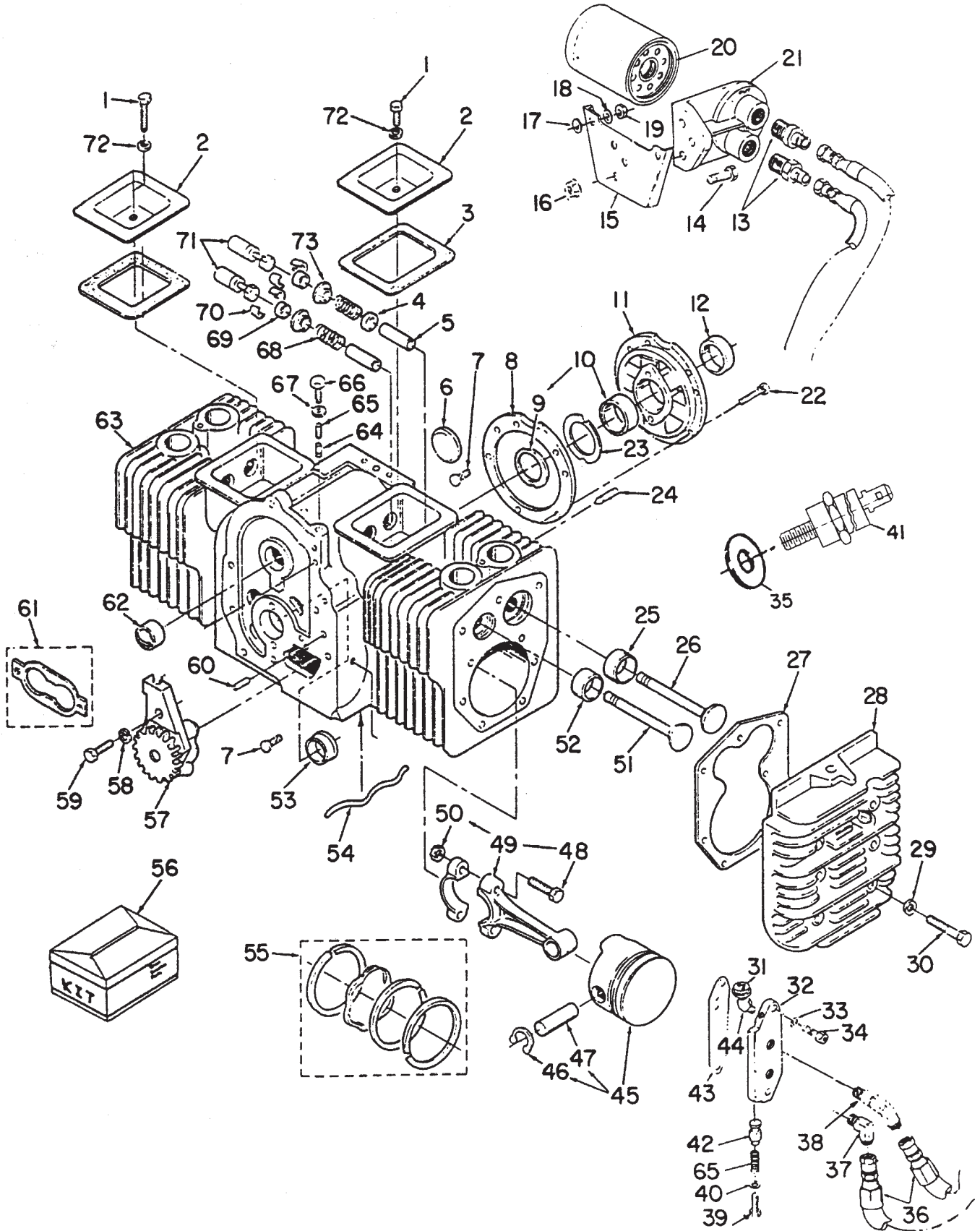
T-0690

## DIFFERENTIAL ASSEMBLY (Continued)

Ref. No.	Part No.	Description	No. Used	Ref. No.	Part No.	Description	No. Used
29	46-2224	Shim - Front Pinion Bearing (.053)	A/R	29	46-2423	Shim - Front Pinion Bearing (.082)	A/R
*	46-2225	Shim - Front Pinion Bearing (.055)	A/R	*	46-2424	Shim - Front Pinion Bearing (.084)	A/R
*	46-2226	Shim - Front Pinion Bearing (.057)	A/R	*	46-2425	Shim - Front Pinion Bearing (.086)	A/R
*	46-2410	Shim - Front Pinion Bearing (.062)	A/R	*	46-2426	Shim - Front Pinion Bearing (.088)	A/R
*	46-2411	Shim - Front Pinion Bearing (.064)	A/R	30	43-6550	Ring - Retaining	1
*	46-2412	Shim - Front Pinion Bearing (.066)	A/R	31	21-7850	Plug - Cap	1
*	46-2413	Shim - Front Pinion Bearing (.068)	A/R	32	354-18	Fitting - Hose Barb (Incl. Ref. #44)	1
*	46-2414	Shim - Front Pinion Bearing (.070)	A/R	33	254-66	Cup - Bearing Tapered	2
*	46-2415	Shim - Front Pinion Bearing (.072)	A/R	34	254-65	Cone - Bearing Tapered	2
*	46-2416	Shim - Front Pinion Bearing (.074)	A/R	35	32121-15	Pin - Roll	1
*	46-2420	Shim - Front Pinion Bearing (.076)	A/R	36	21-8090	Shim - Diff. Adjust. .003"	A/R
*	46-2421	Shim - Front Pinion Bearing (.078)	A/R	37	21-8100	Shim - Diff. Adjust. .005"	A/R
*	46-2422	Shim - Front Pinion Bearing (.080)	A/R	38	21-8110	Shim - Diff. Adjust. .010"	A/R
				39	21-8120	Shim - Diff. Adjust. .030"	A/R
				40		Gear - Ring	1
				41	72-9420	Vent Tube Assembly	1
				42	2811-9	Street Elbow 90°	1
				43	289-38	Nipple - Pipe	1
				44	237-81	Seal - "O" Ring	1
				*	43-6510	Gear & Pinion Assembly (Incl. Ref. #13 & 40)	1

\*Not Illustrated

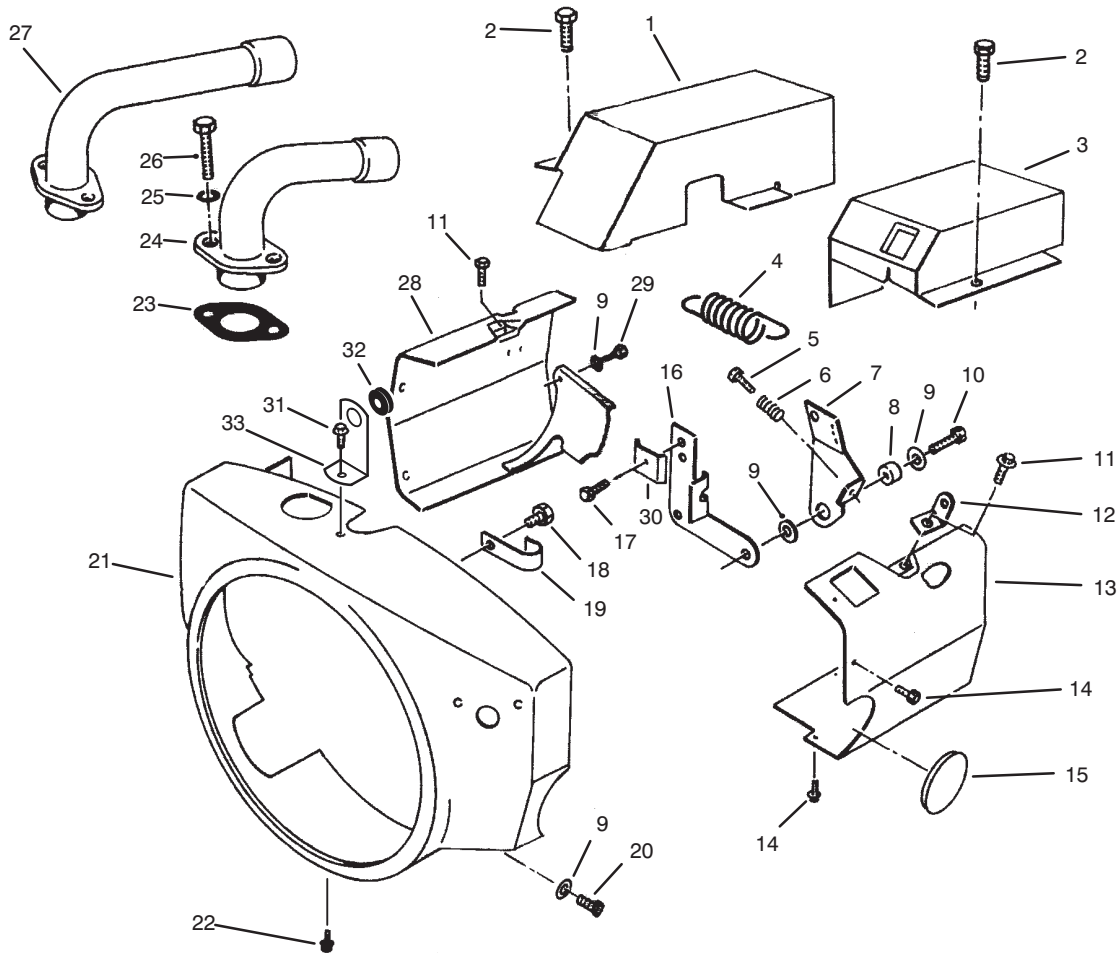
# CYLINDER BLOCK ASSY. ONAN P220G TYPE I/10808G



# CYLINDER BLOCK ASSY. ONAN P220G TYPE I/10808G

Ref. No.	Part No.	Description	No. Used	Ref. No.	Part No.	Description	No. Used
1	321-10	Screw - Hex. Hd.	2	45	82-1810	Piston - .010" OS	
2	71-5850	Cover - Valve	2			(Incl. Ref. #46 & 47)	2
3	57-8280	Gasket - Valve Cover	2	*	82-1820	Piston - .020" OS	
4	71-6180	Seal - Intake Valve	2			(Incl. Ref. #46 & 47)	2
5	71-6250	Guide - Exhaust Valve	2	*	82-1830	Piston - .030" OS	
5	71-6260	Guide - Intake Valve	2			(Incl. Ref. #46 & 47)	2
6	57-9690	Plug - Welch	1	46	57-9720	Ring - Retaining	4
7	59-0730	Pin - Drive	4	47	71-6310	Pin - Piston	4
8	57-8010	Gasket	1	48	57-8410	Bolt - Special	4
9	57-8160	Washer - Thrust	2	49	57-8420	Rod - Connecting Std.	
10	57-8050	Bearing - Std. Crankshaft (Incl. Ref. #9)	1			(Incl. Ref. #48 & 50)	2
*	59-0020	Bearing - Crankshaft .002" undersize (Incl. Ref. #9)	1	*	57-8430	Rod - Conn. .010 undersize (Incl. Ref. #48 & 50)	2
*	57-8060	Bearing - Crankshaft .010" undersize (Incl. Ref. #9)	1	*	57-8440	Rod - Conn. .020 undersize (Incl. Ref. #48 & 50)	2
*	59-0030	Bearing - Crankshaft .020" undersize (Incl. Ref. #9)	1	*	59-0250	Rod - Conn. .030 undersize (Incl. Ref. #48 & 50)	2
*	59-0040	Bearing - Crankshaft .030" undersize (Incl. Ref. #9)	1	50	57-9790	Nut - Lock Hex. Crown	4
11	57-8040	Plate - Bearing	1	51	71-5780	Valve - Exhaust	2
12	57-9590	Seal - Oil	1	52	59-0100	Insert - Exhaust Valve Seat	2
13	59-0660	Hose - Oil	2	53	57-8020	Bearing - Flange Std.	1
14	322-4	Screw - Hex. Hd.	3	*	57-9360	Bearing - Flange .002" undersize	1
15	59-0300	Bracket	1	*	57-8030	Bearing - Flange .010" undersize	1
16	59-1130	Nut	3	*	57-9800	Bearing - Flange .020" undersize	1
17	59-0840	Washer - Flat	2	*	59-0010	Bearing - Flange .030" undersize	1
18	59-0860	Washer - Flat	2	54	59-0290	Tube - Oil	1
19	3217-4	Nut - Hex.	2	55	82-1840	Ring Set - Piston Std.	2
20	57-8530	Filter - Oil	1	*	82-1850	Ring Set - Piston .010" oversize	2
21	57-8540	Base - Filter	1	*	82-1860	Ring Set - Piston .020" oversize	2
22	71-6240	Screw - Flange	5	*	82-1870	Ring Set - Piston .030" oversize	2
23	57-8170	Shim	A/R	56	71-6290	Kit - Gasket Comp. Engine	1
24	3247-4	Screw - Socket Hd. Set	2	57	57-8480	Pump - Oil	1
25	59-0050	Insert - Valve Seat Std.	2	58	3253-3	Washer - Lock	2
*	59-0080	Insert - Valve Seat .010" OS	2	59	321-6	Screw - Hex. Hd.	2
26	71-5770	Valve - Intake	2	60	59-0750	Pin - Alignment	2
27	57-8830	Gasket	2	61	57-8460	Kit - Gasket, Oil Pump	1
28	71-5820	Head - Cylinder R.H.	1	62	57-8000	Bearing - Camshaft	2
29	57-9770	Washer - Flat	18	63	82-1880	Block - Short	1
30	71-6270	Screw - Hex. Hd.	18	64	57-8470	Plunger - Bypass Valve	1
31	57-9490	Switch - Low Oil Pressure	1	65	57-8500	Spring - Bypass Valve	2
32	57-8510	Adapter - Oil Filter	1	66	59-0910	Screw - Hex. Hd.	1
33	57-9750	Washer - Flat	2	67	57-9760	Washer - Flat	1
34	3274-18	Screw - Cap Soc. Hd.	2	68	71-5790	Spring - Valve	4
35	3256-1	Washer - Flat	1	69	71-5830	Cap - Valve	4
36	57-9220	Hose - Oil	2	70	71-5840	Lock - Valve Spring	8
37	59-0670	Elbow - Male (from Filter)	1	71	57-8450	Tappet - Valve Std.	4
38	59-0680	Elbow - Male (to Filter)	1	*	59-0260	Tappet - Valve .002" OS	4
39	3211-27	Screw - Hex. Hd.	1	*	59-0270	Tappet - Valve .005" OS	4
40	57-9760	Washer - Flat	1	72	57-9740	Washer - Flat	2
41	72-3960	Switch - Temp. Cut-Off	1	73	71-5800	Washer - Valve Spring Ret.	4
42	57-8470	Valve - By-pass Plunger	1	*	71-6300	Kit - Valve Grinding	1
43	82-0520	Gasket	1				
44	59-0640	Elbow - Street 45°	1				
45	82-1800	Piston - Std. (Incl. Ref. #46 & 47)	2				

\*Not Illustrated

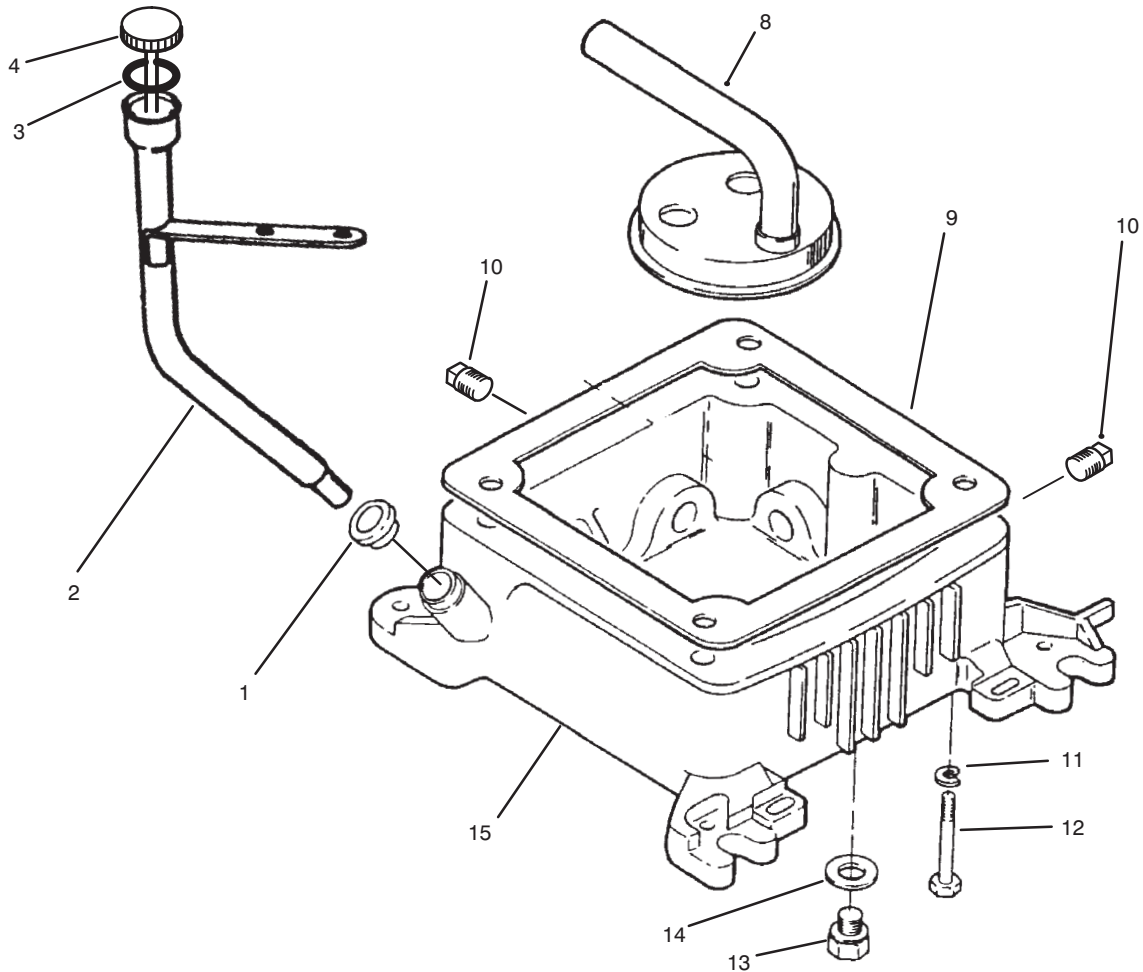


T-0755

## ENGINE AIR HOUSING – ONAN P220G TYPE I/10808G

Ref. No.	Part No.	Description	No. Used
1	72-3970	Cover – Exhaust Tube L.H.	1
2	59-1090	Screw – Hex. Washer Hd.	2
3	72-3980	Cover – Exhaust Tube R.H.	1
4	57-9100	Spring	1
5	59-1030	Screw – Self Tap. Hex. Hd.	1
6	59-0430	Spring – Idle Setting	1
7	57-9140	Arm – Governor Control	1
8	57-9120	Bushing	1
9	3256-1	Washer – Flat	8
10	59-1010	Screw – Hex. Flange Hd.	2
11	3234-5	Screw – Hex. Flange Hd.	2
12	59-0630	Bracket – Lift	2
13	71-5940	Housing – R.H.	1
14	59-1080	Screw – Hex. Flange Hd.	4
15	71-6150	Grommet – Air Seal	1
16	57-9150	Bracket – Cable	1
17	72-3900	Screw – Self Tap. Hex. Hd.	1

Ref. No.	Part No.	Description	No. Used
18	3234-13	Screw – Hex. Flange Hd.	1
19	71-6220	Clip – Wire	1
20	59-0980	Screw – Self Tap. Hex. Hd.	4
21	71-5930	Housing – Blower	1
22	59-0970	Screw – Self Tap. Hex. Hd.	1
23	57-9210	Gasket	2
24	57-9230	Outlet	1
25	3256-3	Washer – Flat	4
26	322-3	Screw – Hex. Hd.	4
27	57-9240	Outlet	1
28	71-5910	Housing – L.H.	1
29	59-0980	Screw – Self Tap Hex. Hd.	2
30	57-9190	Clamp – Cable	1
31	49-2040	Screw – Self Tapping	1
32	71-6140	Grommet	1
33	71-5970	Bracket	1

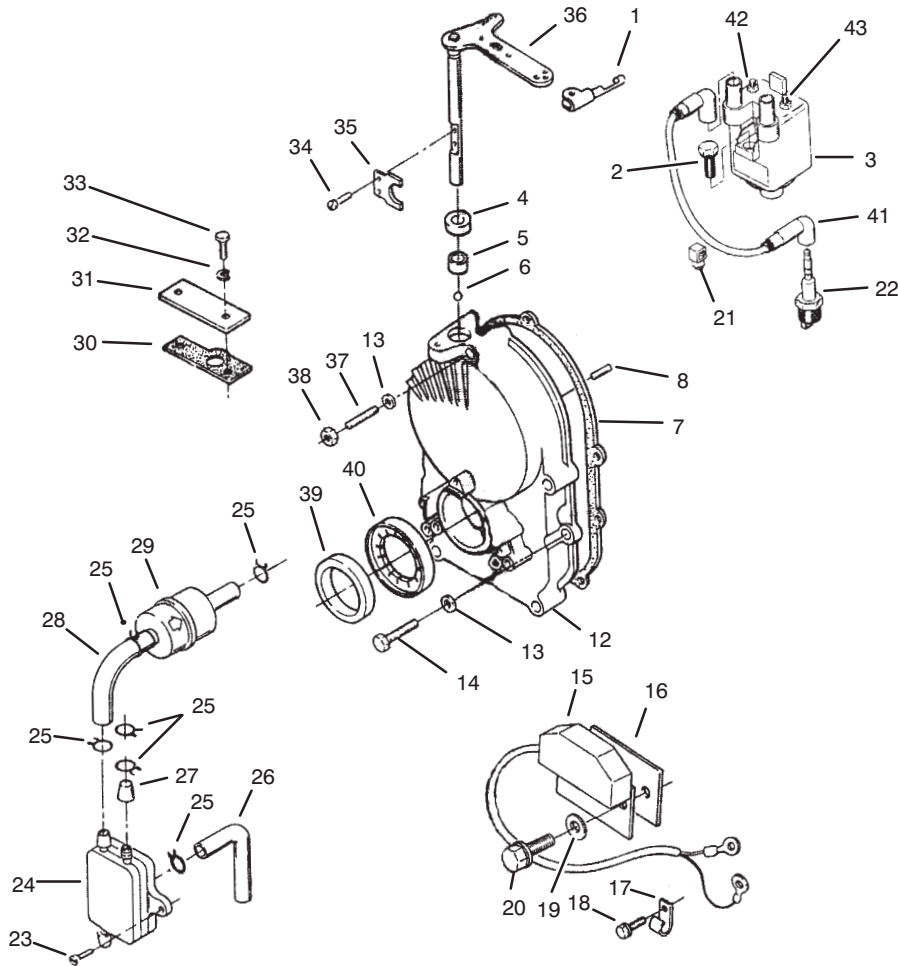


T-1261

### OIL BASE & FUEL PUMP – ONAN P220G TYPE I/10808G

Ref. No.	Part No.	Description	No. Used
1	71-6170	Seal	1
2	82-1790	Oil Fill Tube & Bracket Assy.	1
3	57-9610	"O"Ring	1
4	71-5880	Cap (Incl. Ref. #3)	1
8	57-8490	Cup – Intake	1
9	57-8090	Gasket	1

Ref. No.	Part No.	Description	No. Used
10	281-2	Plug	2
11	3253-5	Washer – Lock	4
12	323-42	Screw – Hex. Hd.	4
13	57-8080	Plug	1
14	57-8070	Gasket	1
15	71-5730	Base (Incl. Ref. #9, 10, 13 & 14)	1



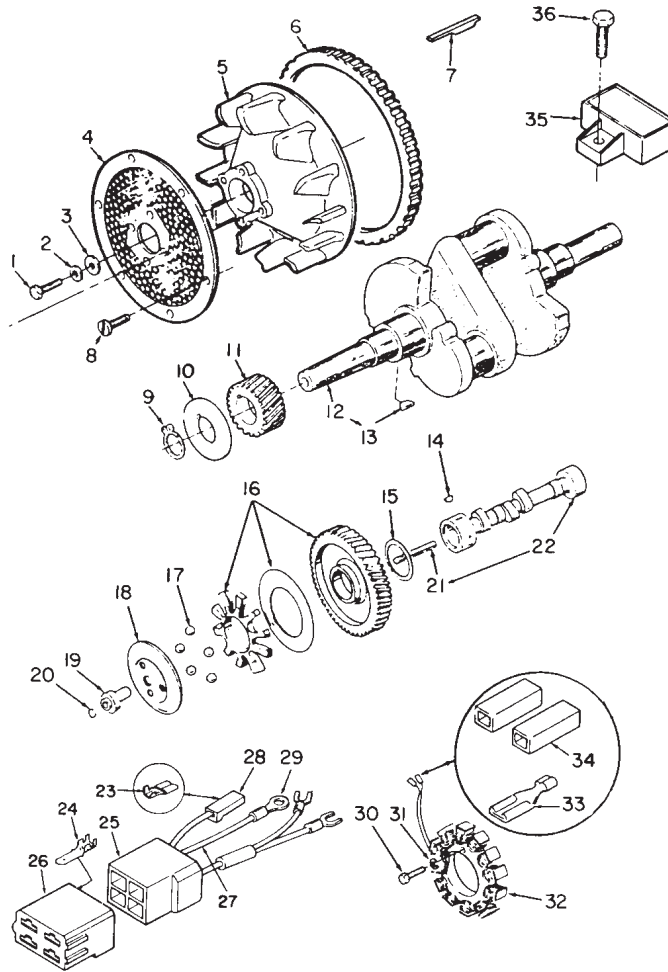
T-0754

## IGNITION CONTROL – ONAN P220G TYPE I/10808G

Ref. No.	Part No.	Description	No. Used
1	57-9730	Clip – Retaining	1
2	71-6460	Screw – Flange Hex. Hd.	2
3	71-6000	Coil	1
4	57-9570	Seal – Oil	1
5	57-9650	Bearing	1
6	57-9630	Ball – Bearing	1
7	71-6360	Gasket	1
8	59-0740	Pin – Dowel	1
12	71-6350	Kit – Gearcase (Incl. Ref. #4-6, 8-11, 26, & 34-36)	1
13	57-9750	Washer – Flat	5
14	322-9	Screw – Hex. Hd.	4
15	71-6380	Control – Ignition	1
16	71-6410	Insulator	1
17	71-6220	Clip – Wire	2
18	71-6450	Screw – Flange Hex. Hd.	1
19	3254-1	Washer – Lock	2
20	71-6400	Screw – Flange Hex. Hd.	2
21	71-6060	Clip	1
22	57-9340	Plug – Spark	2
23	59-1050	Screw – Self Tap. Pan Hd.	2

Ref. No.	Part No.	Description	No. Used
24	57-9080	Pump – Fuel	1
25	57-9550	Clamp	7
26	71-6100	Line – Pulse	1
27	59-0370	Cap – Fuel Fitting	1
28	59-0710	Hose	1
29	71-5960	Filter – Fuel	1
30	57-9260	Gasket – Plate	1
31	71-5990	Plate – Plunger Cover	1
32	3256-1	Washer – Flat	2
33	321-3	Screw – Hex. Hd.	2
34	3250-16	Screw – Mach. Pan Hd.	2
35	59-0420	Yoke	1
36	59-0440	Shaft	1
37	59-0790	Stud	1
38	3217-6	Nut – Hex.	1
39	57-9580	Seal – Oil	1
40	71-6010	Rotor – Ignition	1
41	71-6420	Cable – Plug 9” Long	1
42	71-6440	Nut – Flange	1
43	71-6430	Nut – Flange	1
*	71-6020	Cable – Plug 18.5” Long	1

\*Not Illustrated



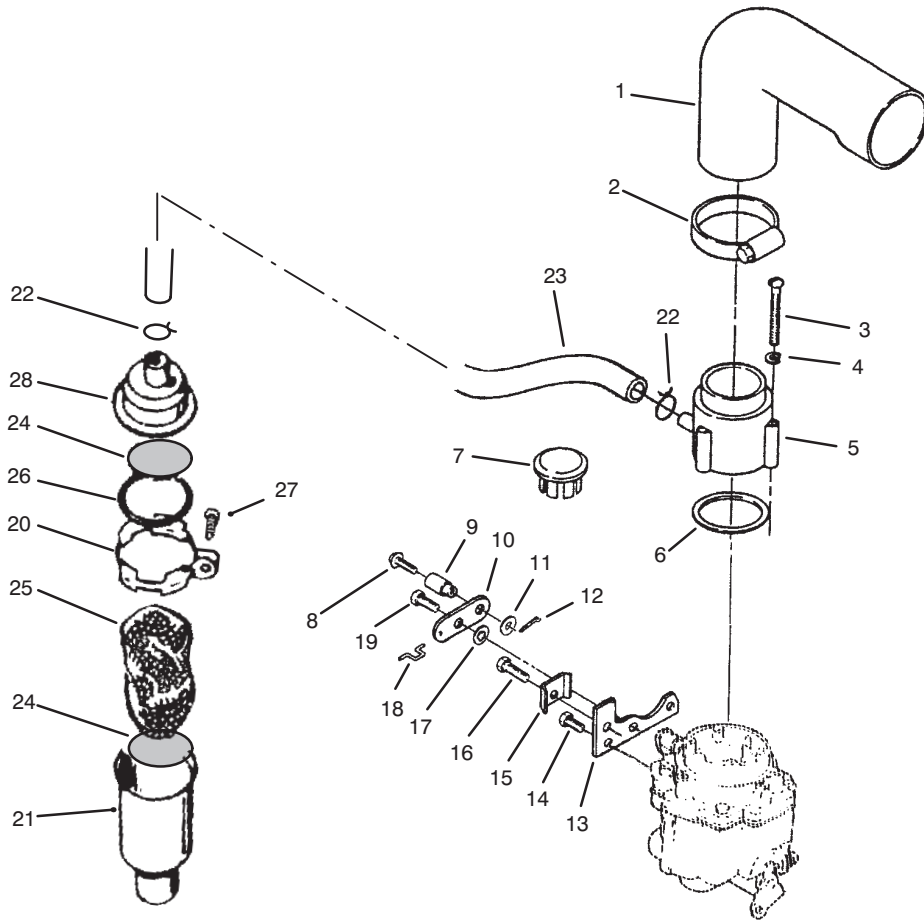
T-0756

## BLOWER & CRANKSHAFT – ONAN P220G TYPE I/10808G

Ref. No.	Part No.	Description	No. Used
1	57-8150	Screw – Hex. Hd. Spec.	1
2	3253-6	Washer – Lock	1
3	59-0810	Washer	1
4	71-5900	Screw – Air Inlet	1
5	71-5920	Flywheel (Incl. Ref. #6)	1
6	57-8180	Gear – Ring	1
7	71-6190	Key – Flywheel	1
8	71-6340	Screw – Flange	6
9	57-9710	Ring – Retaining	1
10	57-8140	Washer – Special	1
11	57-8130	Gear – Crankshaft	1
12	71-5750	Crankshaft (Incl. Ref. #13)	1
13	57-9660	Key – Gear	1
14	57-9660	Key – Woodruff	1
15	57-8230	Washer	1
16	57-8210	Gear	1
17	57-9640	Ball – Governor	5
18	59-0450	Cup – Governor	1
19	57-9130	Hub – Cup, Governor	1

Ref. No.	Part No.	Description	No. Used
20	57-9090	Ring – Retaining	1
21	59-0400	Pin	1
22	71-6320	Camshaft (Incl. Ref. #21)	1
23	72-4000	Terminal – Receptacle	5
24	72-4040	Terminal – Tab	4
25	72-4010	Housing – Receptacle	1
26	72-4020	Housing – Tab	1
27	71-6070	Harness – Wiring	1
28	72-4030	Housing	1
29	72-3990	Terminal – Ring	1
30	71-6390	Screw – Mach. Hex. Hd.	3
31	3253-2	Washer – Lock	3
32	57-9440	Stator	1
33	59-0590	Terminal	3
34	71-6370	Body – Terminal	2
35	71-6030	Regulator	1
36	59-1080	Screw – Hex. Hd.	1
*	71-6230	Kit – Connector, Harness (Incl. Ref. #24 & 26)	1

\*Not Illustrated

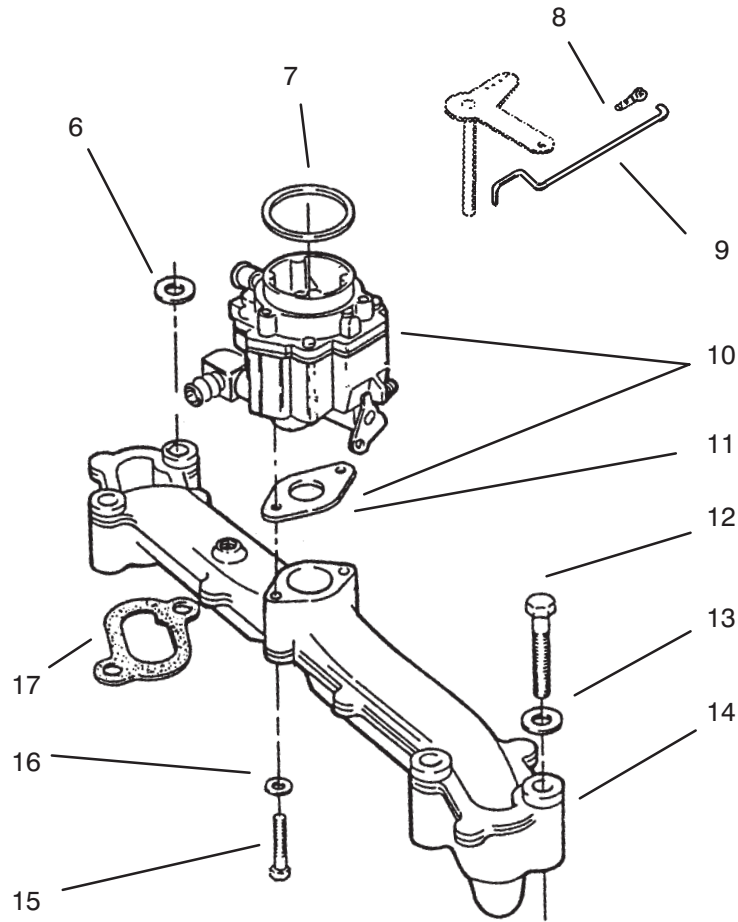


T-0770

## AIR CLEANER & CHOKE – ONAN P220G TYPE I/10808G

Ref. No.	Part No.	Description	No. Used
1	57-8800	Elbow – Air Inlet	1
2	59-0690	Clamp	2
3	59-0940	Screw – Mach. Rd. Hd.	3
4	3253-2	Washer – Lock	3
5	57-8720	Adapter – Carburetor	1
6	57-9620	Seal	1
7	71-6210	Plug – Button	1
8	72-3890	Screw – Mach. Hex. Hd.	1
9	57-9170	Swivel	1
10	59-0460	Lever – Choke	1
11	59-0580	Washer – Flat	2
12	59-0720	Pin – Cotter	1
13	59-0470	Bracket	1
14	72-3880	Screw – Flange Hex. Hd.	1

Ref. No.	Part No.	Description	No. Used
15	57-9190	Clip	1
16	72-3900	Screw – Self Tap. Slot. Hd.	1
17	3254-1	Washer – Lock	1
18	57-9180	Link – Choke	1
19	59-1020	Screw – Shoulder	1
20	82-0530	Clamp	1
21	82-0540	Tube – Breather	1
22	57-9540	Clamp	1
23	71-6130	Hose – Breather	1
24	82-0560	Screen – Breather Tube	2
25	57-8580	Baffle – Breather Tube	1
26	82-0570	Seal – "O" Ring	1
27	82-1480	Screw – Self Tapping	1
28	82-0550	Breather Cap & Valve	1

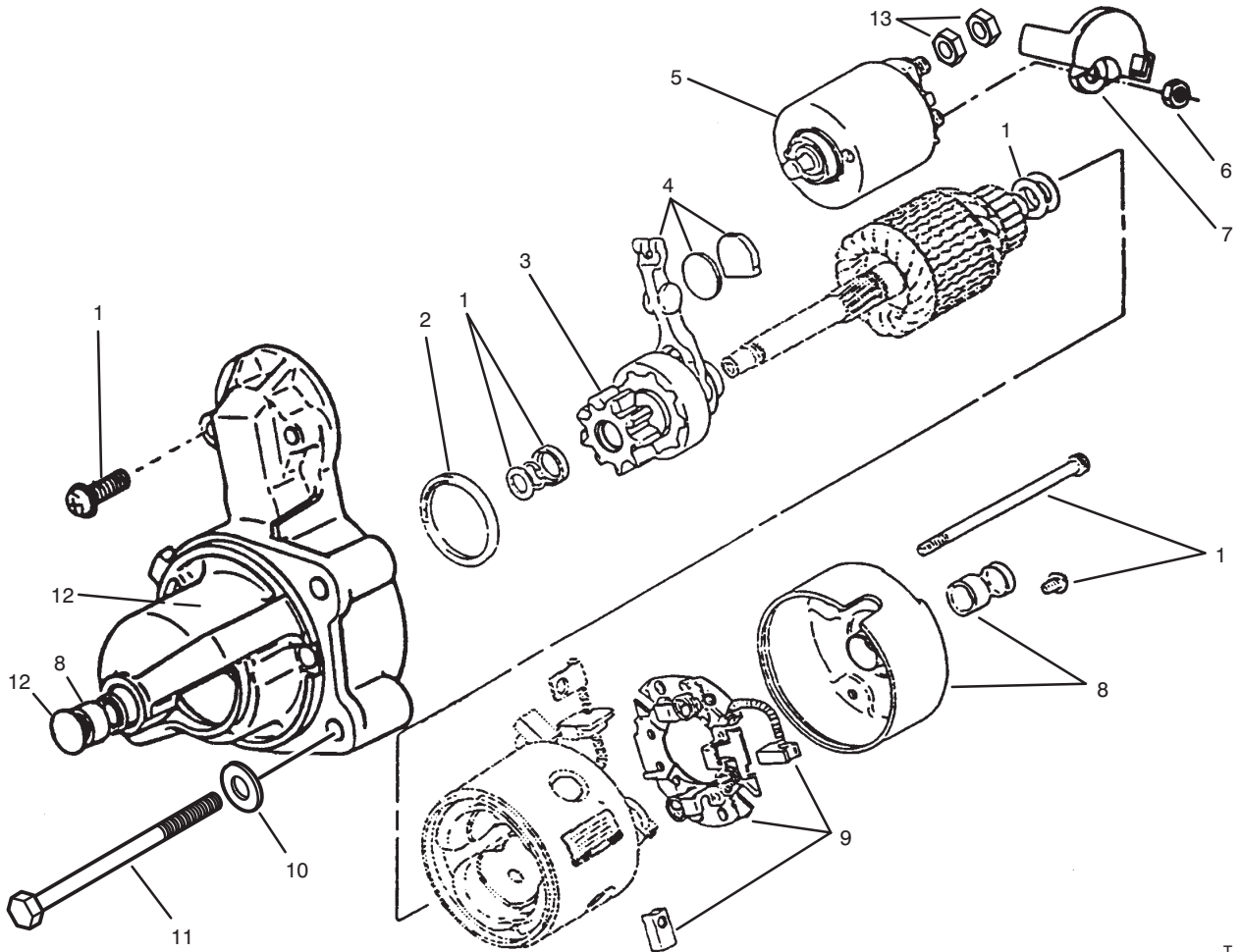


## CARBURETOR LOW EMISSIONS

Ref. No.	Part No.	Description	No. Used
6	3256-23	Washer - Flat	1
7	57-9620	"O" Ring	1
8	57-9700	Clip	1
9	57-9160	Rod - Governor Control	1
10	94-1847	Kit - Carburetor (Flange Gaskets) Low Emissions <b>NOT REPAIRABLE</b>	1
*	94-1843	Kit - Float (Incl. Float & Gasket)	1

Ref. No.	Part No.	Description	No. Used
*	94-1848	Jet - High (Fixed Main)	1
*	94-1844	Kit - Accelerator Pump)	1
11	57-9200	Gasket	1
12	322-10	Screw - Hex. Hd.	4
13	3256-23	Washer - Flat	4
14	71-6480	Manifold - Intake	1
15	322-9	Screw - Hex. Hd.	2
16	3256-1	Washer - Flat	2
17	71-5980	Gasket	2

\* Not Illustrated  
NOT REPAIRABLE



T-1271

## STARTER – ONAN P220G TYPE I/10808G

Ref. No.	Part No.	Description	No. Used
1	62-2760	Starter Hardware Kit	1
2	72-3950	Dust Seal Kit	1
3	72-3940	Starter Clutch Kit	1
4	62-2770	Starter Shift Lever Kit	1
5	72-3930	Starter Solenoid Kit	1
6	82-1730	Nut – Hex.	1
7	82-1720	Cap Solenoid	1
8	62-2730	Starter Bushing Kit	1

Ref. No.	Part No.	Description	No. Used
9	62-2740	Starter Brush Kit	1
10	57-9770	Washer – Mounting Screw	2
11	322-22	Screw – Hex. Hd.	2
12	62-2750	Brush Mounting Kit	1
13	57-6390	Nut – Jam	2
*	71-6040	Starter Assembly (Incl. Ref. #1-10 & 13)	1

\*Not Illustrated

# TORO PART NUMBER INDEX

Part No.	Description	Pg. Ref. No. No. Qty.	Part No.	Description	Pg. Ref. No. No. Qty.
109989	Spacer	6 18 4	21-9430	Spring - Shoe Return R.H.	23 18 2
114495	Nut	3 7 1	21-9440	Screw - Spring Adjusting	23 14 2
605142	Kit - Shim	3 10 1	21-9450	Dust Shield	23 4 2
5666683	Cup - Bearing	3 16 2	21-9460	Retainer - Parking Brake	23 15 4
5666693	Assembly - Thrust Bearing	3 15 2	22-7320	Cooler - Oil	11 7 1
5666734	Gasket	3 13 1	22-8330	Plug	21 1 1
5676217	Nut - Adjuster Lock	3 1 1	22-8340	Spring	21 3 1
5679292	Housing - Steering Gear	3 14 1	22-8350	Ball	21 4 1
7801626	Seal	3 4 1	22-8360	Pin - Cam	21 6 1
7802160	Seal	3 5 1	22-8370	Seat - Check Valve	21 5 1
7802482	Adjuster	3 11 1	22-8380	Retainer - Spring	21 12 2
7806748	Kit - Side Cover Service	3 8 1	22-8410	Spring	21 13 1
7807009	Bolt - Flange Hex. Hd.	3 6 3	22-8480	Snap Ring - Spool	21 15 1
7812834	Gear - Pitman Shaft	3 12 1	22-8490	Ring - Retaining	21 16 1
7812946	Steering Worm Assembly	3 3 1	22-8500	"O"Ring	21 10 2
7840888	Assembly - Adjuster	3 2 1	23-2270	Bushing - Rubber	16 6 1
3-0348	Bushing	12 10 8	23-2300	Filter - Oil	19 12 1
3-3251	Spring	2 12 1	24-5790	Weight - Rear	9 13 1
3-6514	Washer	14 7 2	24-8790	Gear - Bevel Diff. Side	24 10 2
3-6514	Washer - Thrust	12 2 2	24-8840	Ring - Wheel Bearing	23 22 2
3-6685	Spring	5 19 1	25-2380	Plate - Thrust	18 15 2
3-7243	Spring - Return	2 26 2	25-2430	Pin	18 46 2
4-2390	Washer	1 15 2	25-2460	Hex Hd. Plug	18 23 2
5-7570	Washer	4 8 2	25-2470	Shim Pack	18 25A/R
6-1659	Switch - Toggle	8 10 1	25-2480	Relief Valve Spring Charge	18 44 1
7-3900	Pad - Brake	2 35 2	25-2500	Shaft - Trunion	18 2 1
10-7160	Assembly - Wire	11 26 2	25-2510	Washer	18 3 2
10-8110	Washer	12 9 4	25-2660	Union - Filter	18 38 1
12-5450	Screw - Thread Forming	24 16 8	25-3210	Lip Seal	18 7 2
12-5869	Hood	1 1 1	25-3300	Bearing - Needle	18 18 2
12-9990	Meter - Hour	8 23 1	27-2360	Switch - Ignition	8 18 1
18-8000	Mount - Rubber	9 8 2	27-3250	Nonskid - Tunnel	8 30 1
19-1470	Screw - Shoulder	1 16 2	27-3260	Nonskid - Floor	8 34 1
20-4840	Clamp - Muffler	7 4 1	27-3270	Shroud - Fan	16 11 1
21-0141	Socket Assembly R.H.	4 14 1	27-3390	Tube - Front Steering	2 39 1
21-0141	Socket Assembly R.H.	12 37 3	27-3550	Rod - Brake Latch	2 7 1
21-0141	Socket Assembly R.H.	2 40 2	27-3560	Latch - Parking Brake	2 32 1
21-0151	Socket Assembly L.H.	12 35 3	27-3640	Pivot Mount Assembly	12 40 1
21-1880	Grip - Handle	14 3 1	27-3680	Spacer - Mounting	16 25 4
21-3370	Assembly - Brake Cable	2 23 2	27-3690	Gasket - Transmission	16 28 1
21-7670	Case - Differential	24 7 1	27-3710	Dipstick	24 1 1
21-7690	Gear - Pinion	24 11 2	27-3740	Fan	16 29 1
21-7700	Shaft - Pinion Mate	24 8 1	27-4060	Pin - Rear Axle	12 12 1
21-7720	Washer - Thrust	24 9 2	27-4090	Rod - Tie	12 33 2
21-7730	Washer - Thrust	24 12 2	27-4160	Tube - Pump Control	16 5 1
21-7770	Screw - Drive Gear	24 6 5	27-4200	Lever - Valve	20 2 1
21-7830	Cover - Gear	24 17 1	27-4220	Link - Lever, Valve	20 11 1
21-7850	Plug - Cap	25 31 1	27-4230	Bracket - Valve	20 5 1
21-8020	Spacer - Bearing Frt. Pinion	24 26 1	27-4240	Pin - Cylinder	19 35 2
21-8090	Shim - Diff. Adjust. .003	25 36A/R	27-4310	Pin - Pivot	19 31 2
21-8100	Shim - Diff. Adjust. .005	25 37A/R	27-4340	Assembly - Hub & Plug	16 8 1
21-8110	Shim - Diff. Adjust. .010	25 38A/R	27-4360	Washer	16 30 1
21-8120	Shim - Diff. Adjust. .030	25 39A/R	27-4370	Hub - Pump	16 12 1
21-8180	Bearing - Tapered Roller	23 3 2	27-4480	Hose - Pressure, Low	19 23 1
21-8270	Pin - Dowel	24 5 2	27-4520	U/Joint Shaft Assembly	15 37 1
21-8320	Gasket - Wheel Bearing	23 20 2	27-4570	Handle - Adjustment	6 12 2
21-8330	Oil Seal	23 2 2	27-4720	Shaft - Seat Pivot	5 7 1
21-8360	Clip - Retaining	23 10 2	27-4800	Pin - Pivot R.H.	1 * 1
21-9260	Cover - Dust	2 16 1	27-4830	Pin - Pivot L.H.	1 11 1
21-9370	Adjusting Screw	23 7 2	27-4910	Lever - Power Take-Off	14 2 1
21-9380	Nut - Pivot	23 8 2	27-4980	Shaft - P.T.O.	15 17 1
21-9390	Socket - Adjusting Screw	23 6 2	27-5090	Wire - Battery Ground	10 3 1
21-9420	Spring - Shoe Return L.H.	23 17 2	27-5200	Spacer - Float	21 14 1

\*Not Illustrated

# TORO PART NUMBER INDEX (Cont.)

Part No.	Description	Pg. No.	Ref. No.	Qty.	Part No.	Description	Pg. No.	Ref. No.	Qty.
27-5210	Spool	21	11	1	29-6170	Spring - Extended Leaf	17	5	1
27-5230	Arm - Pivot	12	39	1	29-6930	Arm - Switch	14	9	1
27-5240	Bolt - Shoulder	6	9	2	29-6930	Arm - Switch	5	18	1
27-5310	Support - Axle	16	7	1	29-9790	Pump - Lever	17	2	1
27-6600	Spacer - Rubber Coupling	16	16	4	33-0990	Ammeter	8	6	1
27-6650	Retainer - Bearing	15	31	1	33-2020	Spacer	16	19	4
27-6800	Link - Hood	1	9	2	36-8020	Washer	6	13	2
27-6810	Tie - Hood	1	13	2	37-7060	Bar - Frame Rail	14	24	2
27-6850	Shaft - Axle R.H.	23	*	1	37-9590	Spring	5	23	1
27-6860	Shaft - Axle L.H.	23	1	1	37-9770	Support - Seat	5	15	1
27-6880	Strut/Lever - Parking Brake	23	19	2	37-9920	Hose	13	3	1
27-6970	Stud - Bearing	15	30	1	38-2670	Kit - Charge Pump	18	37	1
27-7100	Assembly - Air Cleaner	7	13	1	38-2680	Pin	18	32	1
27-7110	Assembly - Element	7	7	1	38-3170	Pin - Seat Switch	5	13	1
27-7120	Assembly - Nut & Gasket	7	8	1	38-4020	Mounting - Seat	5	6	1
27-7130	Assembly - Clamp	7	10	1	38-4070	Trim - Hood	1	23	1
27-7140	Skirt - Baffle	7	9	1	38-4080	Trim - Hood	1	24	1
27-7150	Assembly - Cup	7	11	1	39-8850	Spindle - L.H.	12	18	1
27-7160	Decal - Instruction	7	12	1	39-8900	Spindle - R.H.	12	6	1
27-7170	Assembly - Mounting, Band	7	17	2	39-9600	Clamp - Mounting	8	5	1
27-7180	Assembly - Cap	7	5	1	40-2190	Torque Spider	23	5	2
27-7310	Decal - Refueling	5	10	1	41-8800	Pedal - Brake, R.H.	2	30	1
27-7320	Decal - Traction Pedal	8	39	1	41-8810	Pedal - Brake L.H.	2	28	1
27-7900	Screw - Adjusting	14	20	1	41-8820	Steering Gear Assembly	2	4	1
27-9870	Pin - Seat Switch	5	20	1	41-8830	Clamp - Coupling	2	6	1
28-0660	Screw - Hex. Hd.	23	21	8	41-8840	Shaft - Steering	2	11	1
28-0670	Oil Seal	23	13	2	41-8880	Arm - Gear Box	2	3	1
28-0680	Brake Drum	23	11	2	41-8900	Cover - Steering Tower	8	41	1
28-1120	Plug	21	8	1	41-8910	Decal - Instruction	8	24	1
28-1130	Plug	21	7	1	42-2540	Pin - Brake	2	27	1
28-1280	Boot - Battery Cable	10	*	1	42-2580	Bracket - Steering Post	8	33	1
28-3300	Bearing - Roller	18	4	1	42-3220	Rack	2	38	1
28-3310	Bearing - Needle	18	5	2	42-6080	Shim - Axle	9	5A/R	
28-3340	Gasket	18	49	1	42-6080	Shim - Axle	13	19A/R	
28-3350	Pin	18	48	2	43-1700	Valve - Hydraulic	20	8	1
28-3380	Plate - Motor Valve	18	45	1	43-2690	Assy. - Shoe & Lining	23	16	4
28-3400	"O"Ring	18	24	2	43-5220	Ring - Retaining	22	11	1
28-3420	Relief Valve Cone Charge	18	27	2	43-5230	Shaft w/Clevis	22	12	1
28-3440	Threaded Plug	18	42	2	43-5320	Pulley - P.T.O.	15	16	1
28-3450	Washer - Flat	18	36	2	43-5340	Pulley - Engine	11	23	1
28-3470	Lip Seal	18	34	1	43-5350	Tank - Fuel	13	2	1
28-3480	Bearing - Needle	18	33	1	43-6510	Gear & Pinion Assembly	25	*	1
28-3520	"O"Ring	18	31	1	43-6550	Ring - Retaining	25	30	1
28-3530	Screw - Hex. Hd.	18	30	2	43-6710	Shim - Adjusting .003	24	20A/R	
28-3570	"O"Ring	18	21	2	43-6711	Shim - Adjusting .005	24	21A/R	
28-3580	Ring - Backup	18	20	2	43-6712	Shim - Adjusting .010	24	22A/R	
28-3590	"O"Ring	18	19	2	43-6713	Shim - Adjusting .030	24	23A/R	
28-3640	Shaft - Pump	18	12	1	43-6750	Cup - Bearing	24	15	1
28-3650	Bearing - Ball	18	10	1	43-6760	Cone - Bearing	24	14	1
28-3660	Lip Seal	18	9	1	43-6800	Nut - Lock, Flange Hd.	23	12	8
28-3670	Shaft - Trunion	18	8	1	43-6850	Assembly - Lower Housing	24	4	1
28-5130	Pad - Traction Pedal	4	2	1	43-8480	Decal - Danger	13	6	1
28-5220	Wheel - Friction	4	6	1	43-8480	Decal - Danger	5	8	1
28-5640	Washer - Special	15	36A/R		44-2230	Coupling - Rubber	16	15	2
28-6180	Pin - Pedal	5	25	1	44-8680	Shield - Heat	14	11	1
28-8950	Spring - Extension	15	29	2	44-8690	Shield - Heat	11	2	1
28-9050	Hub - Bearing	15	19	1	44-8710	Shroud - Engine	11	4	1
29-4730	Washer	15	14	1	44-8720	Shaft - Drive	16	13	1
29-5600	Pivot Bracket Assembly	4	10	1	44-8820	Spring - Compression	14	18	1
29-5630	Pin - Pedal Pivot	4	4	1	44-8830	Grille - Rear Panel	1	3	1
29-5670	Pedal - Traction	4	1	1	44-8890	Retainer - Spring	14	17	2
29-6150	Spring - Leaf	17	22	1	44-8920	Cover - Battery	9	21	1
29-6163	Micro Switch	17	7	1	44-8950	Tube - Air Cleaner	7	6	1

\*Not Illustrated

# TORO PART NUMBER INDEX (Cont.)

3317-820

Part No.	Description	Pg. No.	Ref. No.	Qty.	Part No.	Description	Pg. No.	Ref. No.	Qty.
44-8990	V-Belt - Torque Team	15	15	1	48-1800	Kit - Cylinder Block	18	16	2
44-9010	Bracket - Shield Support	11	5	1	49-2040	Screw - Self Tapping	28	31	1
44-9020	Oil Hose Assembly	11	14	1	49-2040	Screw - Self Tapping	11	32	1
44-9030	Foam - Hood (Front)	1	22	1	49-7820	Variable Swashplate	18	13	1
44-9040	Foam - Hood (Rear)	1	2	1	49-7830	Assembly - Check Valve	18	22	2
44-9050	Hose - Air Cleaner Inlet	7	2	1	49-7850	Center Section	18	39	1
44-9090	Axle - Rear	12	7	1	49-7870	Housing	18	6	1
44-9110	Tube - Steering	12	38	1	49-7910	Transmission	16	10	1
44-9120	Steering Plate Assembly	12	29	1	49-8200	Shaft - Motor	18	47	1
44-9190	Trim - Hood	1	18	1	51-3150	Shim	17	24	1
44-9220	Guide - Belt (Lower)	15	1	1	52-8890	Bracket - Mounting	17	16	1
44-9230	Guide - Belt	15	6	2	52-9070	Plate - Pump	17	17	1
44-9250	Control - Throttle	8	20	1	53-4430	Decal - Oil	8	26	1
44-9300	Control - Choke	8	13	1	55-3574	Cap - Fuel	13	7	1
44-9310	Bracket - Brake	15	5	1	57-6390	Nut - Jam	34	13	2
44-9320	Base - Engine	9	10	1	57-8000	Bearing - Camshaft	27	62	2
44-9330	Support Pad Assembly	15	7	1	57-8010	Gasket	27	8	1
44-9350	Arm - Engagement	15	24	1	57-8020	Bearing - Flange Std.	27	53	1
44-9390	Mount - Engine Rubber	9	4	2	57-8030	Bearing - Flange	27	*	1
44-9450	Adapter - Air Inlet	11	31	1	57-8040	Plate - Bearing	27	11	1
44-9460	Foam - Battery Cover	9	22	1	57-8050	Bearing - Std. Crankshaft	27	10	1
46-2210	Shim - Front Pinion Bearing	24	29A/R		57-8060	Bearing - Crankshaft .010	27	*	1
46-2211	Shim - Front Pinion Bearing	24	*A/R		57-8070	Gasket	29	14	1
46-2212	Shim - Front Pinion Bearing	24	*A/R		57-8080	Plug	29	13	1
46-2213	Shim - Front Pinion Bearing	24	*A/R		57-8090	Gasket	29	9	1
46-2214	Shim - Front Pinion Bearing	24	*A/R		57-8130	Gear - Crankshaft	31	11	1
46-2215	Shim - Front Pinion Bearing	24	*A/R		57-8140	Washer - Special	31	10	1
46-2216	Shim - Front Pinion Bearing	24	*A/R		57-8150	Screw - Hex. Hd. Spec.	31	1	1
46-2220	Shim - Front Pinion Bearing	24	*A/R		57-8160	Washer - Thrust	27	9	2
46-2221	Shim - Front Pinion Bearing	24	*A/R		57-8170	Shim	27	23A/R	
46-2222	Shim - Front Pinion Bearing	24	*A/R		57-8180	Gear - Ring	31	6	1
46-2223	Shim - Front Pinion Bearing	24	*A/R		57-8210	Gear	31	16	1
46-2224	Shim - Front Pinion Bearing	25	29A/R		57-8230	Washer	31	15	1
46-2225	Shim - Front Pinion Bearing	25	*A/R		57-8280	Gasket - Valve Cover	27	3	2
46-2226	Shim - Front Pinion Bearing	25	*A/R		57-8410	Bolt - Special	27	48	4
46-2390	Muffler - Spark Arrester	11	*	1	57-8420	Rod - Connecting Std.	27	49	2
46-2410	Shim - Front Pinion Bearing	25	*A/R		57-8430	Rod - Conn. .010 undersize	27	*	2
46-2411	Shim - Front Pinion Bearing	25	*A/R		57-8440	Rod - Conn. .020 undersize	27	*	2
46-2412	Shim - Front Pinion Bearing	25	*A/R		57-8450	Tappet - Valve Std.	27	71	4
46-2413	Shim - Front Pinion Bearing	25	*A/R		57-8460	Kit - Gasket, Oil Pump	27	61	1
46-2414	Shim - Front Pinion Bearing	25	*A/R		57-8470	Plunger - Bypass Valve	27	64	1
46-2415	Shim - Front Pinion Bearing	25	*A/R		57-8470	Valve - By-pass Plunger	27	42	1
46-2416	Shim - Front Pinion Bearing	25	*A/R		57-8480	Pump - Oil	27	57	1
46-2420	Shim - Front Pinion Bearing	25	*A/R		57-8490	Cup - Intake	29	8	1
46-2421	Shim - Front Pinion Bearing	25	*A/R		57-8500	Spring - Bypass Valve	27	65	2
46-2422	Shim - Front Pinion Bearing	25	*A/R		57-8510	Adapter - Oil Filter	27	32	1
46-2423	Shim - Front Pinion Bearing	25	29A/R		57-8530	Filter - Oil	27	20	1
46-2424	Shim - Front Pinion Bearing	25	*A/R		57-8540	Base - Filter	27	21	1
46-2425	Shim - Front Pinion Bearing	25	*A/R		57-8580	Baffle - Breather Tube	32	25	1
46-2426	Shim - Front Pinion Bearing	25	*A/R		57-8720	Adapter - Carburetor	32	5	1
46-3320	Trim - Hood	1	20	1	57-8800	Elbow - Air Inlet	32	1	1
46-3350	Panel - Instrument	8	11	1	57-8830	Gasket	27	27	2
46-3460	Decal - By-Pass	8	9	1	57-9080	Pump - Fuel	30	24	1
46-7280	Plug - Pipe	18	40	1	57-9090	Ring - Retaining	31	20	1
46-7310	Relief Valve Spring Imp.	18	26	1	57-9100	Spring	28	4	1
46-7320	Plate - Pump Valve	18	17	1	57-9120	Bushing	28	8	1
46-8560	Screw - Hex. Flange Hd.	5	2	4	57-9130	Hub - Cup, Governor	31	19	1
46-8560	Screw - Self Tap. Hex. Hd.	8	40	11	57-9140	Arm - Governor Control	28	7	1
46-8810	Stop - Leaf Spring	17	9	1	57-9150	Bracket - Cable	28	16	1
46-9110	Spring - Seat	6	15	2	57-9160	Rod - Governor Control	33	9	1
46-9120	Mount - Seat	6	17	2	57-9170	Swivel	32	9	1
47-4760	Shim - P.T.O. Block	15	20	1	57-9180	Link - Choke	32	18	1
47-4780	Arm - Engagement	14	10	1	57-9190	Clamp - Cable	28	30	1

\*Not Illustrated

# TORO PART NUMBER INDEX (Cont.)

Part No.	Description	Pg. No.	Ref. No.	Qty.	Part No.	Description	Pg. No.	Ref. No.	Qty.
57-9190	Clip	32	15	1	59-0670	Elbow - Male (from Filter)	27	37	1
57-9200	Gasket	33	11	1	59-0680	Elbow - Male (to Filter)	27	38	1
57-9210	Gasket	28	23	2	59-0690	Clamp	32	2	2
57-9220	Hose - Oil	27	36	2	59-0710	Hose	30	28	1
57-9230	Outlet	28	24	1	59-0710	Hose - Fuel	11	19	1
57-9240	Outlet	28	27	1	59-0720	Pin - Cotter	32	12	1
57-9260	Gasket - Plate	30	30	1	59-0730	Pin - Drive	27	7	4
57-9340	Plug - Spark	30	22	2	59-0740	Pin - Dowel	30	8	1
57-9360	Bearing - Flange	27	*	1	59-0750	Pin - Alignment	27	60	2
57-9440	Stator	31	32	1	59-0790	Stud	30	37	1
57-9490	Switch - Low Oil Pressure	27	31	1	59-0810	Washer	31	3	1
57-9540	Clamp	32	22	1	59-0840	Washer - Flat	27	17	2
57-9550	Clamp	30	25	7	59-0860	Washer - Flat	27	18	2
57-9570	Seal - Oil	30	4	1	59-0910	Screw - Hex. Hd.	27	66	1
57-9580	Seal - Oil	30	39	1	59-0940	Screw - Mach. Rd. Hd.	32	3	3
57-9590	Seal - Oil	27	12	1	59-0970	Screw - Self Tap. Hex. Hd.	28	22	1
57-9610	"O" Ring	29	3	1	59-0980	Screw - Self Tap Hex. Hd.	28	29	2
57-9620	"O" Ring	33	7	1	59-0980	Screw - Self Tap. Hex. Hd.	28	20	4
57-9620	Seal	32	6	1	59-1010	Screw - Hex. Flange Hd.	28	10	2
57-9630	Ball - Bearing	30	6	1	59-1020	Screw - Shoulder	32	19	1
57-9640	Ball - Governor	31	17	5	59-1030	Screw - Self Tap. Hex. Hd.	28	5	1
57-9650	Bearing	30	5	1	59-1050	Screw - Self Tap. Pan Hd.	30	23	2
57-9660	Key - Gear	31	13	1	59-1080	Screw - Hex. Flange Hd.	28	14	4
57-9660	Key - Woodruff	31	14	1	59-1080	Screw - Hex. Hd.	31	36	1
57-9690	Plug - Welch	27	6	1	59-1090	Screw - Hex. Washer Hd.	28	2	2
57-9700	Clip	33	8	1	59-1130	Nut	27	16	3
57-9710	Ring - Retaining	31	9	1	61-8140	Cover - Seat Support	5	1	1
57-9720	Ring - Retaining	27	46	4	61-9650	Hose - Fuel	13	11	1
57-9730	Clip - Retaining	30	1	1	62-2730	Starter Bushing Kit	34	8	1
57-9740	Washer - Flat	27	72	2	62-2740	Starter Brush Kit	34	9	1
57-9750	Washer - Flat	30	13	5	62-2750	Brush Mounting Kit	34	12	1
57-9750	Washer - Flat	27	33	2	62-2760	Starter Hardware Kit	34	1	1
57-9760	Washer - Flat	27	40	1	62-2770	Starter Shift Lever Kit	34	4	1
57-9760	Washer - Flat	27	67	1	62-7400	Decal - Toro	8	42	1
57-9770	Washer - Flat	27	29	18	63-7400	Washer	9	2	4
57-9770	Washer - Mounting Screw	34	10	2	63-7590	Relay	14	25	1
57-9790	Nut - Lock Hex. Crown	27	50	4	63-8360	Key	8	17	1
57-9800	Bearing - Flange	27	*	1	66-3110	Fitting	19	11	2
59-0010	Bearing - Flange	27	*	1	66-8130	Hose	19	19	1
59-0020	Bearing - Crankshaft .002	27	*	1	66-8190	Hose	19	8	1
59-0030	Bearing - Crankshaft .020	27	*	1	67-1710	Decal - Caution	5	4	1
59-0040	Bearing - Crankshaft .030	27	*	1	68-7320	Decal - Hydraulic Lift	5	3	1
59-0050	Insert - Valve Seat Std.	27	25	2	68-7330	Decal - Caution	5	9	1
59-0080	Insert - Valve Seat .010 OS	27	*	2	68-7350	Decal - Instrument Panel	8	15	1
59-0100	Insert - Exhaust Valve Seat	27	52	2	68-9700	Assembly - Hydra. Cylinder	19	18	2
59-0250	Rod - Conn. .030 undersize	27	*	2	70-2770	Head	22	9	1
59-0260	Tappet - Valve .002 OS	27	*	4	70-2780	Piston	22	4	1
59-0270	Tappet - Valve .005 OS	27	*	4	70-2790	Kit - Seal Repair	22	*	1
59-0290	Tube - Oil	27	54	1	70-9830	Shaft - Traction Pedal	4	5	1
59-0300	Bracket	27	15	1	71-0590	Assembly - Fitting	19	5	1
59-0370	Cap - Fuel Fitting	30	27	1	71-0670	Hose - Trans. to Valve	19	6	1
59-0400	Pin	31	21	1	71-0680	Hose	19	16	1
59-0420	Yoke	30	35	1	71-0690	Hose - Cyl. Tee to Valve	19	27	1
59-0430	Spring - Idle Setting	28	6	1	71-0700	Spacer	11	24	1
59-0440	Shaft	30	36	1	71-3270	90° Elbow	19	14	2
59-0450	Cup - Governor	31	18	1	71-3370	Hose - Fuel	13	21	1
59-0460	Lever - Choke	32	10	1	71-3370	Line - Fuel	11	29	1
59-0470	Bracket	32	13	1	71-3770	Hose - Pressure, Low	19	24	1
59-0580	Washer - Flat	32	11	2	71-5730	Base	29	15	1
59-0590	Terminal	31	33	3	71-5750	Crankshaft	31	12	1
59-0630	Bracket - Lift	28	12	2	71-5770	Valve - Intake	27	26	2
59-0640	Elbow - Street 45°	27	44	1	71-5780	Valve - Exhaust	27	51	2
59-0660	Hose - Oil	27	13	2	71-5790	Spring - Valve	27	68	4

\*Not Illustrated

# TORO PART NUMBER INDEX (Cont.)

3317-820

Part No.	Description	Pg. No.	Ref. No.	Qty.	Part No.	Description	Pg. No.	Ref. No.	Qty.
71-5800	Washer - Valve Spring Ret.	27	73	4	72-3950	Dust Seal Kit	34	2	1
71-5820	Head - Cylinder R.H.	27	28	1	72-3960	Switch - Temp. Cut-Off	27	41	1
71-5830	Cap - Valve	27	69	4	72-3970	Cover - Exhaust Tube L.H.	28	1	1
71-5840	Lock - Valve Spring	27	70	8	72-3980	Cover - Exhaust Tube R.H.	28	3	1
71-5850	Cover - Valve	27	2	2	72-3990	Terminal - Ring	10	*	1
71-5880	Cap	29	4	1	72-3990	Terminal - Ring	31	29	1
71-5900	Screw - Air Inlet	31	4	1	72-4000	Terminal - Receptacle	10	*	5
71-5910	Housing - L.H.	28	28	1	72-4000	Terminal - Receptacle	31	23	5
71-5920	Flywheel	31	5	1	72-4010	Housing - Receptacle	10	5	1
71-5930	Housing - Blower	28	21	1	72-4010	Housing - Receptacle	31	25	1
71-5940	Housing - R.H.	28	13	1	72-4020	Housing - Tab	10	4	1
71-5960	Filter - Fuel	11	28	1	72-4020	Housing - Tab	31	26	1
71-5960	Filter - Fuel	30	29	1	72-4030	Housing	10	*	1
71-5970	Bracket	28	33	1	72-4030	Housing	31	28	1
71-5980	Gasket	33	17	2	72-4040	Terminal - Tab	10	*	4
71-5990	Plate - Plunger Cover	30	31	1	72-4040	Terminal - Tab	31	24	4
71-6000	Coil	30	3	1	72-7920	Muffler	11	15	1
71-6010	Rotor - Ignition	30	40	1	72-7930	Extension	11	9	1
71-6020	Cable - Plug 18.5 Long	30	*	1	72-9420	Vent Tube Assembly	25	41	1
71-6030	Regulator	31	35	1	74-0720	Tube - Manual	6	2	1
71-6040	Starter Assembly	34	*	1	75-0810	Decal	8	29	2
71-6060	Clip	30	21	1	76-1420	Wheel - Steering	2	18	1
71-6070	Harness - Wiring	10	*	1	76-3080	Arm - Lift, R.H.	19	29	1
71-6070	Harness - Wiring	31	27	1	76-3090	Arm - Lift, L.H.	19	28	1
71-6100	Line - Pulse	30	26	1	80-3330	Gasket	7	14	1
71-6130	Hose - Breather	32	23	1	82-0520	Gasket	27	43	1
71-6140	Grommet	28	32	1	82-0530	Clamp	32	20	1
71-6150	Grommet - Air Seal	28	15	1	82-0540	Tube - Breather	32	21	1
71-6170	Seal	29	1	1	82-0550	Breather Cap & Valve	32	28	1
71-6180	Seal - Intake Valve	27	4	2	82-0560	Screen - Breather Tube	32	24	2
71-6190	Key - Flywheel	31	7	1	82-0570	Seal - "O" Ring	32	26	1
71-6210	Plug - Button	32	7	1	82-1480	Screw - Self Tapping	32	27	1
71-6220	Clip - Wire	30	17	2	82-1720	Cap Solenoid	34	7	1
71-6220	Clip - Wire	28	19	1	82-1730	Nut - Hex.	34	6	1
71-6230	Kit - Connector, Harness	31	*	1	82-1790	Oil Fill Tube & Bracket Assy.	29	2	1
71-6240	Screw - Flange	27	22	5	82-1800	Piston - Std.	27	45	2
71-6250	Guide - Exhaust Valve	27	5	2	82-1810	Piston - .010 OS	27	45	2
71-6260	Guide - Intake Valve	27	5	2	82-1820	Piston - .020 OS	27	*	2
71-6270	Screw - Hex. Hd.	27	30	18	82-1830	Piston - .030 OS	27	*	2
71-6290	Kit - Gasket Comp. Engine	27	56	1	82-1840	Ring Set - Piston Std.	27	55	2
71-6300	Kit - Valve Grinding	27	*	1	82-1850	Ring Set - Piston	27	*	2
71-6310	Pin - Piston	27	47	4	82-1860	Ring Set - Piston	27	*	2
71-6320	Camshaft	31	22	1	82-1870	Ring Set - Piston	27	*	2
71-6340	Screw - Flange	31	8	6	82-1880	Block - Short	27	63	1
71-6350	Kit - Gearcase	30	12	1	82-8530	Fitting - Straight	19	10	2
71-6360	Gasket	30	7	1	84-8600	Set - Brake Shoe (4 Shoes)	23	*	1
71-6370	Body - Terminal	31	34	2	86-7220	Gear - Spur	16	26	1
71-6380	Control - Ignition	30	15	1	86-7230	Gear - Spur	24	18	1
71-6390	Screw - Mach. Hex. Hd.	31	30	3	86-7290	Frame Assembly	8	37	1
71-6400	Screw - Flange Hex. Hd.	30	20	2	86-7470	Diode	10	2	1
71-6410	Insulator	30	16	1	86-7930	Upper Housing Assembly	24	24	1
71-6420	Cable - Plug 9 Long	30	41	1	86-9470	Harness - Wire	10	1	1
71-6430	Nut - Flange	30	43	1	86-9660	Axle Assembly	13	16	1
71-6440	Nut - Flange	30	42	1	92-1180	Seat	6	4	1
71-6450	Screw - Flange Hex. Hd.	30	18	1	92-6312	Spacer	13	22	2
71-6460	Screw - Flange Hex. Hd.	30	2	2	92-6533	Kit - Cushion	6	5	1
71-6480	Manifold - Intake	33	14	1	92-6534	Shell - Seat	6	7	1
72-3880	Screw - Flange Hex. Hd.	32	14	1	94-1812	Engine - Onan (Model No.	11	18	1
72-3890	Screw - Mach. Hex. Hd.	32	8	1	94-1843	Kit - Float	33	*	1
72-3900	Screw - Self Tap. Hex. Hd.	28	17	1	94-1844	Kit - Accelerator Pump)	33	*	1
72-3900	Screw - Self Tap. Slot. Hd.	32	16	1	94-1847	Kit - Carburetor (Flange	33	10	1
72-3930	Starter Solenoid Kit	34	5	1	94-1848	Jet - High (Fixed Main)	33	*	1
72-3940	Starter Clutch Kit	34	3	1	94-5411	Decal - Groundsmaster 220	1	6	2

\*Not Illustrated

# TORO PART NUMBER INDEX (Cont.)

Part No.	Description	Pg. Ref. No. No. Qty.	Part No.	Description	Pg. Ref. No. No. Qty.
217-107	Rim	13 13 2	2811-9	Street Elbow 90°	25 42 1
217-108	Rim	12 21 2	302-5	Fitting - Grease	14 4 2
218-473	Boot - Toggle Switch	8 8 1	302-5	Fitting - Grease	12 11 4
218-515	Bracket - Mounting	8 25 1	302-5	Fitting - Grease	2 31 2
2112-9	Clamp	11 8 1	302-5	Fitting - Grease	15 38 1
231-103	Tire	13 12 2	302-40	Fitting - Grease	15 18 2
231-104	Tire	12 20 2	302-62	Fitting - Grease	19 37 2
232-35	Valve Stem w/Cap	13 15 2	304-99	90° Barb Hose Stem	19 17 1
232-35	Valve Stem w/Cap	12 28 2	321-3	Screw - Hex. Hd.	15 33 2
232-39	Tube - Inner (Optional)	12 * 2	321-3	Screw - Hex. Hd.	30 33 2
232-43	Tube - Inner (Optional)	13 * 2	321-4	Screw - Hex. Hd.	17 21 2
233-17	Knob	2 14 1	321-6	Screw - Hex. Hd.	27 59 2
233-35	Knob	8 16 2	321-9	Screw - Hex. Hd.	17 3 2
233-39	Knob	20 1 1	321-10	Screw - Hex. Hd.	27 1 2
237-22	"O"Ring	19 9 4	321-10	Screw - Hex. Hd.	20 13 1
237-42	"O"Ring	21 2 1	321-24	Screw - Hex. Hd.	20 7 3
237-42	"O"Ring	19 3 6	322-3	Screw - Hex. Hd.	7 16 4
237-78	"O"Ring	19 13 3	322-3	Screw - Hex. Hd.	28 26 4
237-80	"O"Ring	19 22 1	322-3	Screw - Hex. Hd.	9 28 4
237-81	Seal - "O"Ring	25 44 1	322-4	Screw - Hex. Hd.	15 8 2
237-150	"O"Ring	19 15 4	322-4	Screw - Hex. Hd.	27 14 3
241-119	Cap - Dust	12 24 2	322-5	Screw	6 8 4
242-34	Stud - Axle Flange	23 9 10	322-5	Screw - Hex. Hd.	16 31 1
242-35	Nut - Hex.	13 14 10	322-9	Screw - Hex. Hd.	30 14 4
249-39	Assembly - Handle	5 12 2	322-9	Screw - Hex. Hd.	33 15 2
249-40	Keeper - Reverse	1 19 2	322-10	Screw - Hex. Hd.	33 12 4
2412-36	Clamp - Hose	11 20 5	322-17	Screw - Hex. Hd.	17 18 1
2412-36	Clamp - Worm Drive	19 20 4	322-22	Screw - Hex. Hd.	34 11 2
2412-37	Clamp - Muffler	11 16 2	323-5	Screw - Hex. Hd.	12 5 2
2412-39	"R"Clamp	11 10 2	323-8	Screw - Hex. Hd.	18 29 2
2412-42	Clamp - Hose	7 1 2	323-10	Screw - Hex. Hd.	18 43 4
2412-42	Clamp - Hose	11 33 1	323-12	Screw - Hex. Hd.	9 7 4
2412-108	Clamp	19 39 4	323-18	Screw - Hex. Hd.	15 12 1
2412-108	Clamp - Worm Drive	13 5 5	323-38	Screw - Hex. Hd.	16 23 2
2412-123	"R"Clamp	6 3 2	323-39	Screw - Hex. Hd.	17 14 2
2412-142	"R"Clamp	11 30 1	323-42	Screw - Hex. Hd.	29 12 4
251-77	Collar - Locking	15 28 2	324-6	Screw - Hex. Hd.	8 31 3
251-253	Bearing w/Collar	15 26 2	324-9	Screw - Hex. Hd.	13 20 4
251-255	Bearing - Flange	15 25 4	324-23	Screw - Hex. Hd.	24 19 4
251-259	Bearing - Ball	17 23 1	324-23	Screw - Hex. Hd.	18 35 2
251-268	Bearing	15 21 2	325-8	Screw	9 15 2
251-269	Bearing - Pillow Block	14 5 2	3210-5	Screw - Hex. Hd.	16 17 4
251-275	Bearing - Ball	2{15 1	3210-7	Screw - Hex. Hd.	17 4 1
252-6	Bearing	12 3 2	3210-7	Screw - Hex. Hd.	24 25 8
253-129	Seal - Oil	12 19 2	3210-8	Screw - Hex. Hd.	16 22 4
254-65	Cone - Bearing Tapered	25 34 2	3211-27	Screw - Hex. Hd.	1 12 2
254-66	Cup - Bearing Tapered	25 33 2	3211-27	Screw - Hex. Hd.	27 39 1
254-72	Cup - Bearing	12 22 4	3217-4	Nut - Hex.	27 19 2
254-90	Cup - Bearing	24 27 1	3217-6	Nut - Hex.	7 3 2
254-91	Cone - Bearing	24 28 1	3217-6	Nut - Hex.	15 9 4
254-94	Cone - Bearing	12 27 4	3217-6	Nut - Hex.	30 38 1
256-42	Bushing	2 29 4	3217-7	Nut - Hex.	16 1 1
256-101	Bushing	19 38 4	3217-7	Nut - Hex.	8 36 1
256-121	Bushing	12 17 2	3217-8	Nut - Hex.	2 8 1
256-156	Bushing - Flange	4 9 2	3217-8	Nut - Hex.	13 17 4
256-173	Bushing	5 5 2	3217-9	Nut	9 11 4
281-1	Yoke	14 22 1	3217-16	Nut - Hex.	17 11 2
281-2	Plug	29 10 2	3217-26	Nut - Hex.	8 28 1
283-17	Pin - Clevis	20 12 1	3218-3	Nut - Hex. Jam	9 25 1
283-42	Pin - Clevis	14 23 1	3218-5	Nut - Hex. Jam	16 32 2
283-58	Pin - Clevis	2 24 2	3219-2	Nut	24 2 8
285-17	Plug - Pipe	18 28 4	3219-2	Nut - Hex.	17 6 1
289-38	Nipple - Pipe	25 43 1	3219-14	Nut - Brass	8 2 6

\*Not Illustrated

# TORO PART NUMBER INDEX (Cont.)

3317-820

Part No.	Description	Pg. No.	Ref. No.	Qty.	Part No.	Description	Pg. No.	Ref. No.	Qty.
3220-3	Nut - Hex. Jam	14	21	1	3254-9	Washer - Int. Tooth	17	10	2
3220-3	Nut - Jam	4	11	2	3255-7	Washer - Lock	11	34	1
3220-3	Nut - Jam	2	21	4	3255-8	Washer - Lock	24	3	8
3220-3	Nut - Jam	12	30	12	3255-9	Washer - Lock	9	17	1
3220-5	Nut - Hex. Jam	12	36	3	3256-1	Washer - Flat	28	9	8
3220-5	Nut - Hex. Jam	2	41	2	3256-1	Washer - Flat	33	16	2
3220-5	Nut - Jam	4	13	1	3256-1	Washer - Flat	30	32	2
3220-8	Nut	2	1	1	3256-1	Washer - Flat	27	35	1
3220-12	Nut - Hex. Jam	12	34	3	3256-2	Washer - Flat	17	19	2
3230-2	Carriage - Bolt	17	12	2	3256-3	Washer	11	35	1
3230-16	Bolt - Carriage	15	34	4	3256-3	Washer - Flat	16	20	4
3231-29	Bolt - Carriage	9	26	1	3256-3	Washer - Flat	28	25	4
3232-13	Screw - Hex. Flange Hd.	19	34	2	3256-21	Washer - Flat	8	4	2
3232-16	Bolt - Carriage	2	5	1	3256-22	Washer - Flat	1	4	8
3234-4	Screw - Flange Hex. Hd.	11	27	1	3256-22	Washer - Flat	2	10	3
3234-4	Screw - Hex. Flange Hd.	14	1	4	3256-22	Washer - Flat	8	21	1
3234-4	Screw - Hex. Flange Hd.	8	12	1	3256-23	Washer - Flat	15	4	2
3234-5	Screw - Hex. Flange Hd.	28	11	2	3256-23	Washer - Flat	33	6	1
3234-11	Screw - Flange Hex. Hd.	9	20	2	3256-23	Washer - Flat	14	12	2
3234-11	Screw - Flange Lock	11	13	4	3256-23	Washer - Flat	33	13	4
3234-11	Screw - Hex. Flange Hd.	5	16	4	3256-24	Washer - Flat	9	6	2
3234-11	Screw - Hex. Flange Hd.	8	43	1	3256-26	Washer - Flat	16	4	1
3234-11	Screw - Hex. Hd.	15	27	3	3256-26	Washer - Flat	6	10	2
3234-13	Screw - Hex Flange. Hd.	11	1	10	3256-26	Washer - Flat	2	37	2
3234-13	Screw - Hex. Flange Hd.	1	10	4	3256-28	Washer - Flat	12	26	3
3234-13	Screw - Hex. Flange Hd.	12	14	1	3256-41	Washer - Flat	13	10	3
3234-13	Screw - Hex. Flange Hd.	5	14	1	3256-41	Washer - Flat	14	19	1
3234-13	Screw - Hex. Flange Hd.	28	18	1	3257-5	Key - Woodruff	15	11	1
3234-13	Screw - Hex. Flange Hd.	16	33	2	3257-5	Key - Woodruff	18	11	2
3234-17	Screw - Hex. Hd.	6	16	4	3257-5	Key - Woodruff	16	24	2
3234-18	Screw - Hex. Flange Hd.	11	21	2	3258-19	Screw - Machine	7	15	2
3234-18	Screw - Hex. Hd.	13	8	3	3269-16	Rivet - Pop	5	11	4
3234-21	Screw - Hex. Flange Hd.	15	23	2	3269-16	Rivet - Pop	1	21	4
3235-23	Screw - Hex. Hd.	11	22	4	3272-5	Pin - Cotter	14	15	1
3245-1	Screw - Set	16	9	4	3272-5	Pin - Cotter	2	22	3
3245-1	Screw - Set	15	35	2	3272-6	Pin - Cotter	20	3	1
3247-4	Screw - Socket Hd. Set	27	24	2	3272-10	Pin - Cotter	16	3	1
3249-11	Screw - Round Hd.	17	8	2	3272-10	Pin - Cotter	4	3	4
3250-16	Screw - Mach. Pan Hd.	30	34	2	3272-10	Pin - Cotter	2	25	3
3251-3	Screw - Mach. Rd. Hd.	8	14	4	3272-13	Pin - Cotter	12	23	2
3253-2	Washer - Lock	32	4	3	3272-17	Pin - Cotter	19	30	2
3253-2	Washer - Lock	31	31	3	3272-23	Pin - Cotter	19	1	6
3253-3	Washer - Lock	20	9	2	3274-18	Screw - Cap Soc. Hd.	27	34	2
3253-3	Washer - Lock	15	22	2	3274-31	Screw - Cap Button Hd.	9	18	3
3253-3	Washer - Lock	27	58	2	3290-134	Screw - Mach. Hex. Hd.	9	9	4
3253-4	Washer - Lock	15	10	4	3290-211	Washer - Lock	1	8	4
3253-4	Washer - Lock	14	13	2	3290-357	Nut - Flange Lock	15	2	6
3253-4	Washer - Lock	16	21	2	3290-357	Nut - Flange Lock	11	11	4
3253-5	Washer - Lock	29	11	4	3290-357	Nut - Flange Lock	9	16	1
3253-6	Washer - Lock	31	2	1	3290-378	Tie - Cable	19	7	3
3253-6	Washer - Lock	2	9	1	3290-378	Tie - Cable	11	17	3
3253-6	Washer - Lock	13	18	4	3290-378	Tie - Cable	8	19	1
3253-6	Washer - Lock	8	32	3	3290-378	Tie - Cable	16	35	1
3253-7	Washer - Lock	9	14	2	3290-378	Tie - Cable	2	36	1
3253-21	Washer - Lock	16	2	3	3290-433	Retainer - Grip Nut	9	24	1
3253-21	Washer - Lock	15	13	1	3296-2	Nut - Lock	9	27	4
3253-21	Washer - Lock	17	13	2	3296-5	Nut - Lock	14	16	1
3253-21	Washer - Lock	8	35	1	3296-5	Nut - Lock	1	17	2
3253-28	Washer - Lock	2	2	1	3296-15	Nut - Lock	12	1	1
3254-1	Washer - Ext. Tooth	8	27	1	3296-16	Nut - Lock	11	3	1
3254-1	Washer - Lock	32	17	1	3296-29	Nut - Lock	15	3	2
3254-1	Washer - Lock	30	19	2	3296-29	Nut - Lock	9	3	4
3254-8	Washer - Lock	8	3	2	3296-29	Nut - Lock	17	20	3

\*Not Illustrated

# TORO PART NUMBER INDEX (Cont.)

Part No.	Description	Pg. No.	Ref. No.	Qty.	Part No.	Description	Pg. No.	Ref. No.	Qty.
3296-33	Nut - Lock	15	32	1	32128-33	Nut - Hex. Flange	2	13	1
3296-33	Nut - Lock	2	42	1	32128-33	Nut - Hex. Flange	1	14	4
3296-39	Nut - Lock	9	1	5	32128-33	Nut - Hex. Flange Hd.	20	10	4
3296-39	Nut - Lock	6	14	2	32128-33	Nut - Hex. Flange Hd.	5	17	1
3296-42	Nut - Lock	17	1	4	32128-49	Nut - Hex. Flange	4	12	2
3296-42	Nut - Lock	9	19	3	32136-5	Nut - Hex. Castle	12	25	2
3296-42	Nut - Lock	8	38	2	32140-94	Screw - Self Tap. Hex. Hd.	1	5	8
3296-44	Nut - Lock	12	4	2	32144-10	Screw - Hex. Self Tap	2	33	1
3296-49	Nut - Lock	12	8	1	32144-11	Screw - Self Tap. Hex. Hd.	14	14	2
32104-17	Screw - Flange Hex. Hd.	14	26	1	32149-2	Nut - Lock	20	4	2
32104-60	Screw - Flange Hex. Hd.	8	1	1	32149-2	Nut - Lock	11	25	1
32104-116	Screw - Flange Hex. Hd.	8	7	2	32149-7	Nut - Keps	8	22	4
32104-116	Screw - Flange Hex. Hd.	14	8	1	32151-36	Ring - Retaining	12	16	3
32107-11	Nut - Square	7	18	2	32151-46	Ring - Retaining	18	1	2
32120-72	Ring - Retaining	16	27	1	32152-5	Nut - Lock	16	14	6
32121-4	Pin - Roll	5	22	1	32152-10	Nut - Jam	22	2	1
32121-6	Pin - Roll	4	7	1	340-77	90° Elbow	19	2	1
32121-6	Pin - Roll	5	21	1	340-125	Fitting - Tee, Adjustment	19	36	1
32121-10	Pin - Roll	2	19	1	351-78	Edging	6	6	1
32121-15	Pin - Roll	25	35	1	353-428	Elbow - Male 90°	11	6	1
32121-18	Pin - Roll	5	24	1	353-536	Elbow - 90°	13	1	3
32121-31	Pin - Roll	14	6	2	353-565	Fitting - Connector	19	26	1
32121-34	Pin - Roll	15	39	1	353-567	Fitting - Tee, Male	19	25	1
32121-73	Pin - Roll	20	14	1	353-705	45° Elbow	13	4	1
32121-91	Pin	18	14	3	353-714	Elbow - Male 45°	11	12	1
32121-119	Pin - Roll	15	40	1	354-18	Fitting - Hose Barb	25	32	1
32128-19	Nut - Flange	1	7	2	354-24	Fitting	19	21	1
32128-20	Nut	6	11	4					
32128-20	Nut - Hex. Flange	7	19	4					

## PRODUCT CHANGES

In an effort to make improvements available to TORO owners as quickly as possible, minor changes are incorporated into Toro's products from time to time that do not become immediately shown in the Parts Catalog. If such a change has been made in your unit, which is not reflected in your manual, see your TORO Distributor or his Authorized TORO Service Dealer for information and part numbers.

## IDENTIFICATION AND ORDERING

### MODEL AND SERIAL NUMBERS

The Groundsmaster 220 has two identification numbers; a model number and a serial number. The two numbers are stamped on a plate which is located on the main frame under the seat. In any correspondence concerning the Groundsmaster 220, supply model and serial numbers to assure that correct information and replacement parts are obtained.

To order replacement parts from an Authorized TORO Service Dealer, supply the following information:

1. Model and serial number of the Groundsmaster 220.
2. Part number, description, and the quantity of part(s) desired.

**NOTE:** Do not order by reference number if a parts catalog is being used; use the PART NUMBER.

## TABLE OF CONTENTS

Description	Page	Description	Page
Hood Assembly	1	Blower & Crankshaft Assembly	31
Pedals & Steering Wheel Assembly	2	Air Cleaner & Choke Assembly	32
Steering Gear Assembly No. 41-8820	3	Carburetor Assembly	33
Traction Pedal Assembly	4	Starter Assembly	34
Seat Mount	5	Part Number Index	35
Seat Assembly	6		
Air Cleaner	7	Optional Equipment	
Instrument Panel & Steering Post	8	52 Cutting Deck Model No. 30652	
Engine Mounts, Battery & Rear Weight	9	62 Cutting Deck Model No. 30662	
Electrical Schematic	10	Kit, Blower Model No. 30502, 52"	
Engine Assembly	11	(Requires Hopper Kit)	
Rear Axle Assembly	12	Kit, Blower Model No. 30503, 62"	
Fuel Tank and Axle Assembly	13	(Requires Hopper Kit)	
Power Take-Off Lever Assembly	14	Kit, Hopper 9 cu.ft. Model No. 30504 52 / 62 "	
Power Take-Off Assembly	15	Cutting Units (Requires Blower Kit)	
Transmission & Drive Coupling Assembly	16	Leaf Mulcher Model No. 30700 For 52C/U	
Transmission Interlock Assembly	17	Leaf Mulcher Model No. 30792 For 62C/U	
Transmission Assembly No. 49-7910	18	Tire Chains Part No. 28-5470	
Hydraulic Valve & Lift Arm Cylinders	19	Wheel Weight Model No. 30762	
Valve & Lever Assembly	20	Rear Weight Part No. 24-2790	
Valve Assembly No. 43-1700	21	Spark Arrestor Part No. 46-2390	
Hydraulic Cylinder No. 68-9700	22	Kit, Deluxe Seat Conversion Model No. 30705	
Brake Assembly	23	V-Plow 48 For Snow Removal, Model No. 30750	
Differential Assembly	24	Kit, V-Plow Mounting Model No. 30749	
Cylinder Block Assembly	26	( Required For V-Plow)	
Engine Air Housing	28		
Oil Base & Fuel Pump	29		
Ignition Control Assembly	30		

