



Count on it.

Parts Catalog

Z Master[®]

**With 60in TURBO FORCE[®] Side Discharge
Mower**

Model No. 74268—Serial No. 31200001 and Up

Ordering Replacement Parts

To order replacement parts, please supply the part number, the quantity, and the description of each part desired.

Understanding Reference Numbers

Each identified part in an illustration has a reference number. The reference number for a part also appears in the parts list, along with other information about the part.

This catalog uses two special reference number formats, one to indicate parts in a service assembly and another to indicate the quantity of a given part in an illustration.

Service Assembly Reference Numbers

Parts in service assemblies have reference numbers in the form a:b. The a represents the reference number of the entire service assembly and the b represents a sequential number unique to each part within the service assembly.

For example, a wheel assembly might be identified by reference number 6, the tire by 6:1, the valve by 6:2, and the wheel by 6:3. When you order the assembly identified by reference number 6, you receive all parts identified by reference numbers 6:1, 6:2, and 6:3. However, you may also order any part individually. Reference numbers of this type appear in illustration and in parts lists.

Reference Numbers Indicating Quantity

In an illustration, if a reference number indicates more than one part, the reference number has the form nX y. The n represents the quantity of the part, the X is the multiplication symbol, and the y represents the reference number.

For example, in an illustration, the reference number 2X 37 means that two of the parts identified by reference number 37 are indicated.

List of Abbreviations

AR: as required

ASM: assembly

BBC: blade brake control

BHTF: button head thread forming

CARR: carriage

CCW: counter clockwise

CW: clockwise

DEG: degrees

DPA: Dual Point Adjustment

ECM: electronic control module

EXT: external

FH: flat head

GA: gauge

HD: heavy-duty

HF: hex flange

HH: hex head

HHF: hex head flange

HHFTF: hex head flange thread forming

HJ: hex jam

HLH: hex lag head

HOC: height-of-cut

HSBH: hex socket button head

HSFH: hex socket flat head

HSH: hex socket head

HWH: hex washer head

HWHTF: hex washer head thread forming

HYD: hydraulic

LH: left hand

LP: Liquid Propane

NI: nylon insert

NPTF: national pipe thread fine

PFH: phillips flat head

PPH: phillips pan head

PPHTF: phillips pan head thread forming

PRH: phillips round head

PTH: phillips truss head

PTO: power-take-off

RH: right hand

ROPS: roll-over protection system

RRB: rear roller brush

SFH: slotted fillister head

SHH: slotted hex head

SHWH: slotted hex washer head

SPH: slotted pan head

SQH: square head

SRH: slotted round head

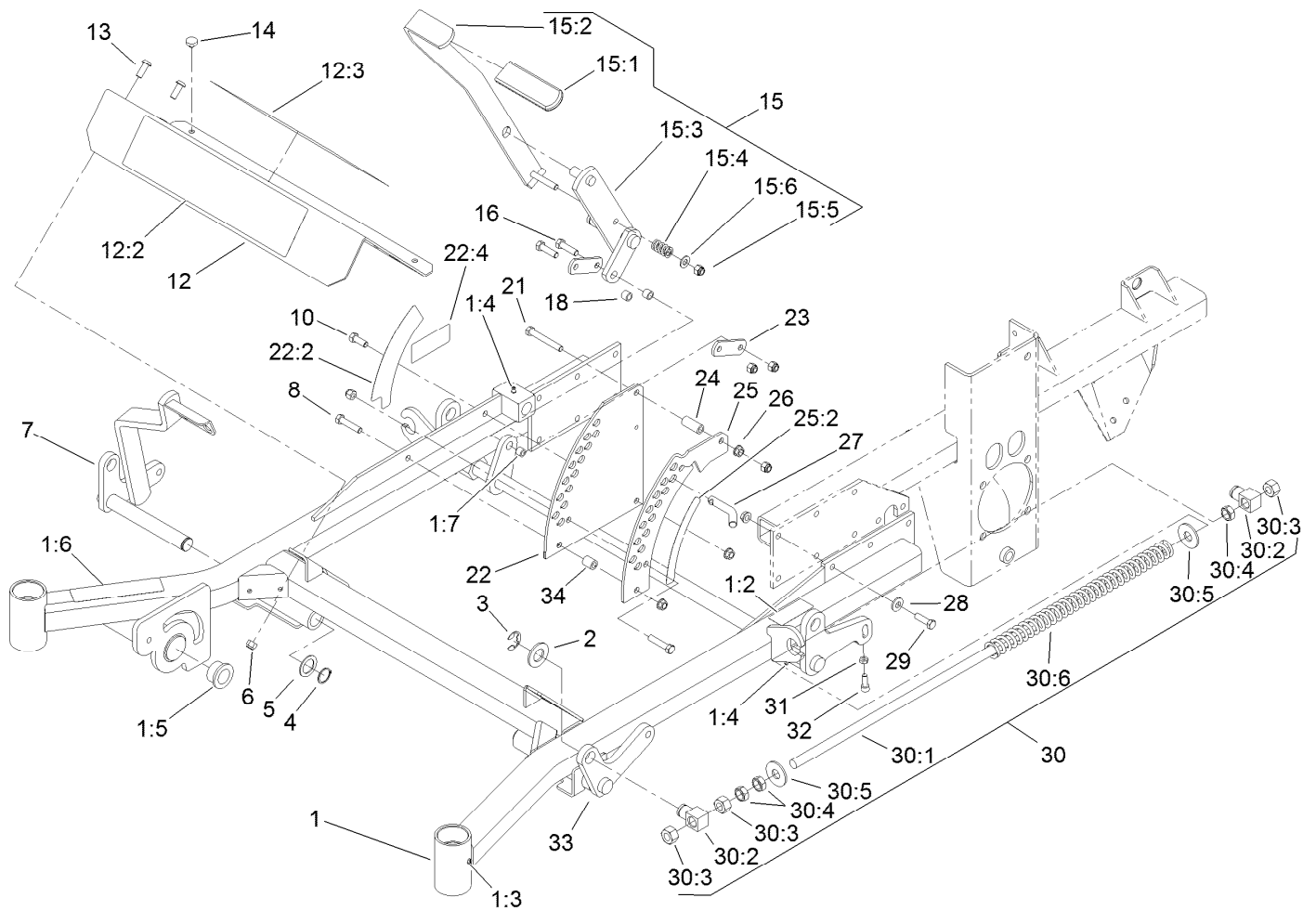
STD: standard

TAP: self tapping

TTH: torx truss head

Contents

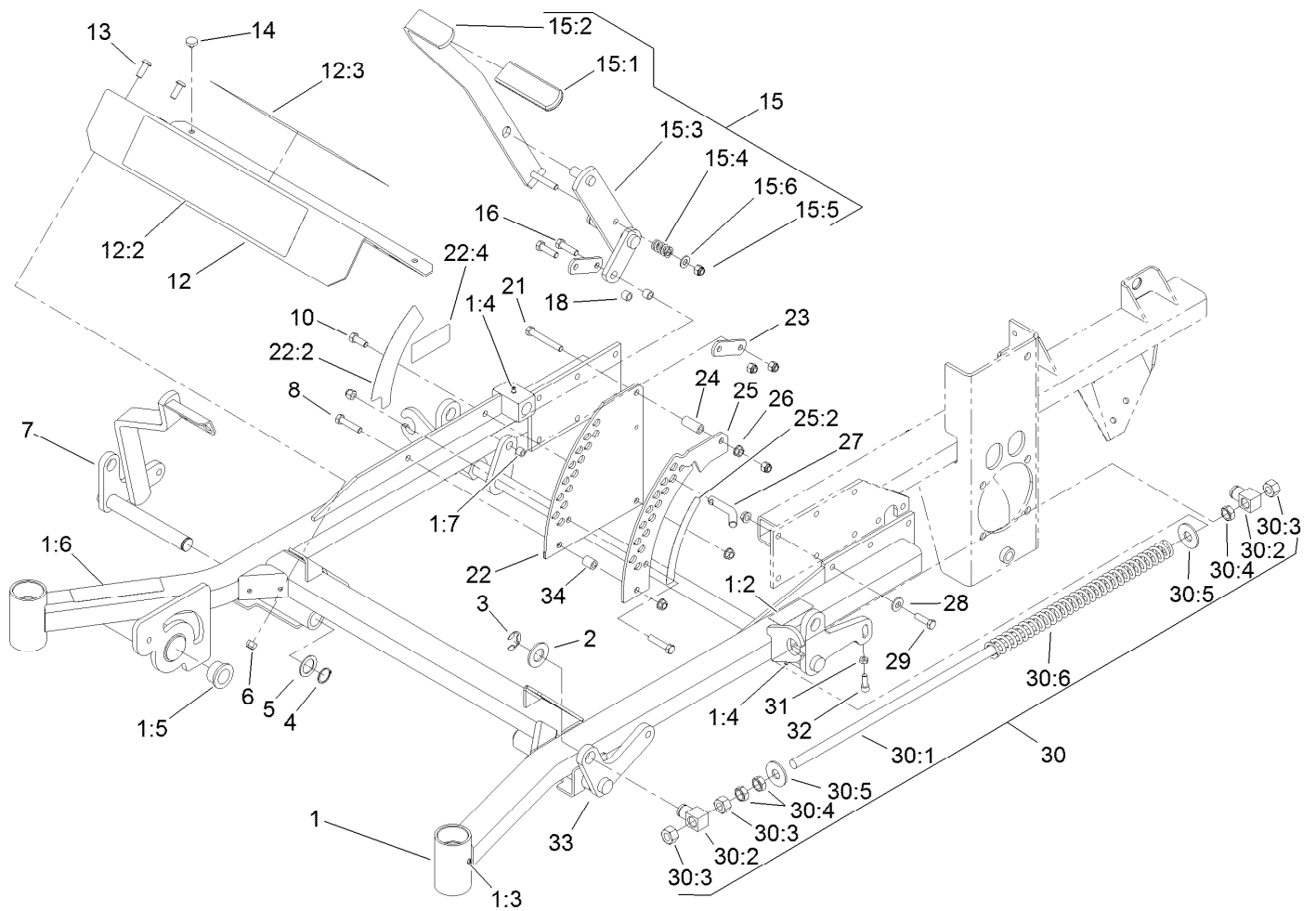
Front Frame Assembly	4
Caster Wheel and Z Stand Assembly	6
Engine Frame, Console and Floor Pan Assembly	7
Seat and Roll-Over Protection System Assembly	8
Deluxe Seat Assembly No. 110-0838	9
Roll-Over Protection System Assembly No. 106-7437	10
Wheel and Brake Assembly	11
Motion Control Assembly	13
RH Motion Control Assembly No. 109-3978	14
LH Motion Control Assembly No. 109-3979	15
Engine Mount Assembly	16
Wheel Pump Drive Assembly	17
Hydraulic Pump Assembly No. 103-2978	18
Hydraulic Pump Assembly No. 103-2979	19
Deck Belt Drive Assembly	20
Cooling Pump Drive Assembly	21
Hydraulic System Assembly	22
Tank and Fuel Line Assembly	24
Front and Rear Engine Cover Assembly	26
Cooling System Assembly	28
Hood Assembly	30
Deck Connection Assembly	31
Deck Assembly	32
Pulley and Bearing Assembly No. 114-0210	34
Spindle Assembly No. 119-8560	35
Lever Assembly No. 107-1664	36
Rubber Deflector Assembly No. 108-2792	37
Deck Decal Assembly No. 117-3857	38
Electrical Assembly	39
Cylinder Assembly	41
Crankshaft Assembly	42
Cylinder Head Assembly	43
Injection Pump Assembly	44
Camshaft Assembly	45
Oil Pan Assembly	46
Gear Cover Assembly	47
Gear Housing Assembly	48
Water Pump Assembly	49
Manifold Assembly	50
Starter Motor and Alternator Assembly	51
Alternator Assembly No. 99-9209	52
Gasket Assembly	53
Attachments and Accessories	54



Front Frame Assembly

Ref.	Part Number	Qty.	Description	Ref.	Part Number	Qty.	Description
1	106-8998	1	Frame ASM	13	3274-94	4	Screw-HSBH
1:2	107-1857	1	Decal-Brake, Parking	14	1-513658	2	Bumper
1:3	1-811010	2	Plug	15	110-5860	1	Deck Lift Handle ASM
1:4	302-19	5	Fitting-Grease	15:1	1-633295	1	Grip-Lever, Lift
1:5	94-1291	2	Bushing	15:2	103-2083-03	1	Lift Lever ASM
1:6	104-7759	1	Decal-Warning	15:3	103-2064-03	1	Arm-Lift, Deck
1:7	103-1918	1	Bushing	15:4	1-633325	1	Spring-Compression
2	3256-29	4	Washer-Flat	15:5	3296-39	1	Nut-Lock, NI
3	32151-103	5	Ring-Retaining, EXT	15:6	3256-24	1	Washer-Flat
4	32151-29	2	Ring-Retaining	16	323-29	2	Screw-HH
5	1-523157	2	Washer-Spacer	18	103-1918	2	Bushing
6	3296-39	8	Nut-Lock, NI	21	323-11	1	Screw-HH
7	108-7786-01	1	RH Front Deck Lift ASM	22	117-0366	1	Plate-HOC, Outer
8	323-9	2	Screw-HH	22:2	107-1860	1	Decal-Height, Deck
10	323-6	1	Screw-HH	22:4	117-2718	1	Decal-Arrester, Spark
12	106-9981	1	Footrest	23	1-633068	2	Arm-Lift, Deck
12:2	121-7558	1	Decal	24	1-633082	1	Bushing-Lever, Lift
12:3	107-2112	1	Decal-Warning	25	117-0369	1	Plate-HOC, Inner

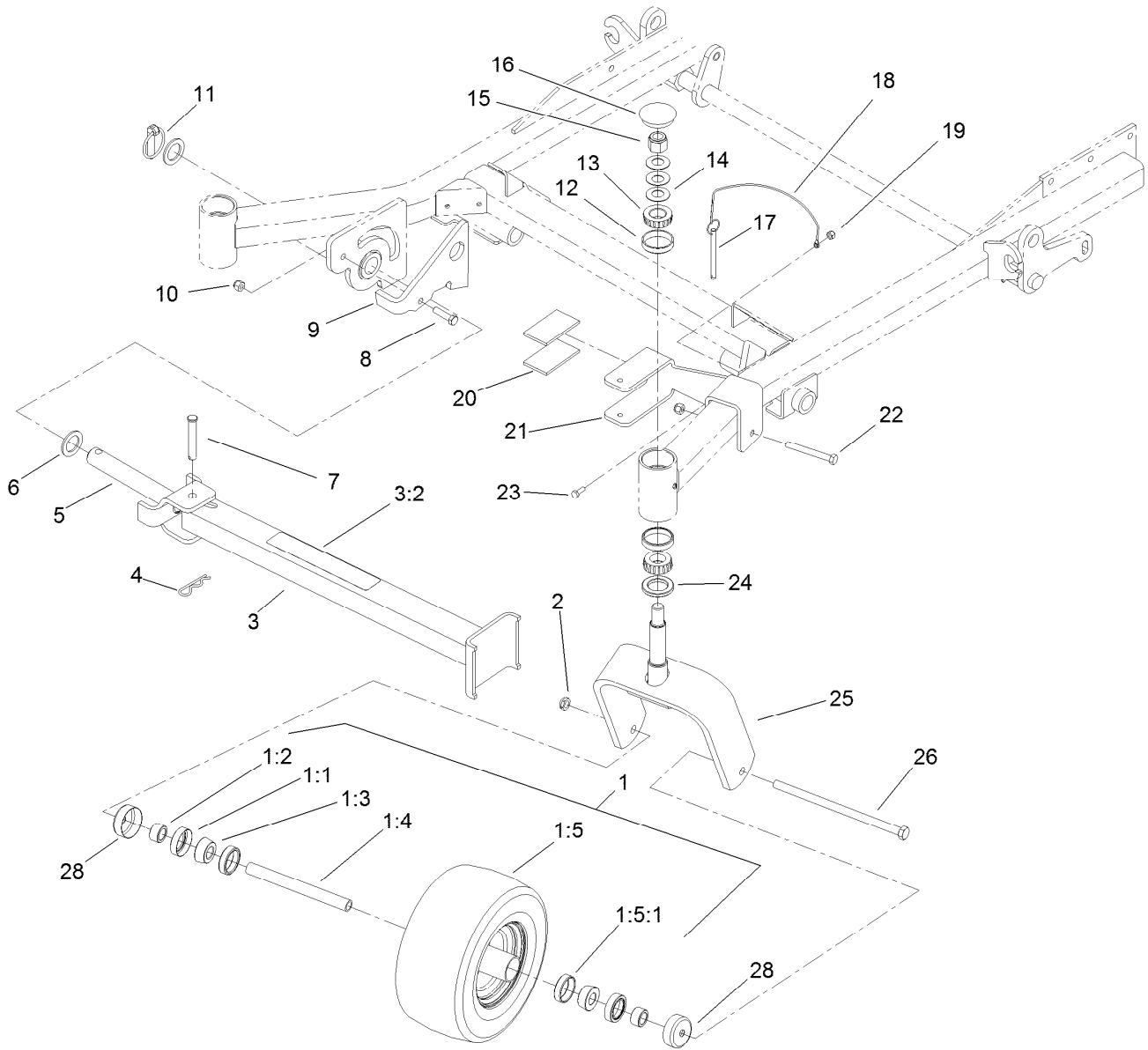
● Not serviced separately



Front Frame Assembly (continued)

Ref.	Part Number	Qty.	Description	Ref.	Part Number	Qty.	Description
25:2	107-1861	1	Decal-Height, Deck	30:3	3217-11	3	Nut-Hex
26	3290-357	15	Nut-HHF, Whiz	30:4	3218-6	3	Nut-Jam
27	109-8757	1	Pin-HOC	30:5	3256-7	2	Washer-Flat
28	98-5975	12	Washer-Belleville	30:6	1-643015	1	Spring-Support, Deck
29	323-7	12	Screw-HH	31	3218-2	2	Nut-Jam
30		2	Front Frame Spring ASM ●	32	3274-18	2	Screw-HSH
30:1	1-633096	1	Rod-Lift, Deck	33	106-8984-01	1	LH Deck Lift ASM
30:2	1-633441	2	Swivel-Deck Mount, Rear	34	1-633080	1	Bushing-Lever, Lift

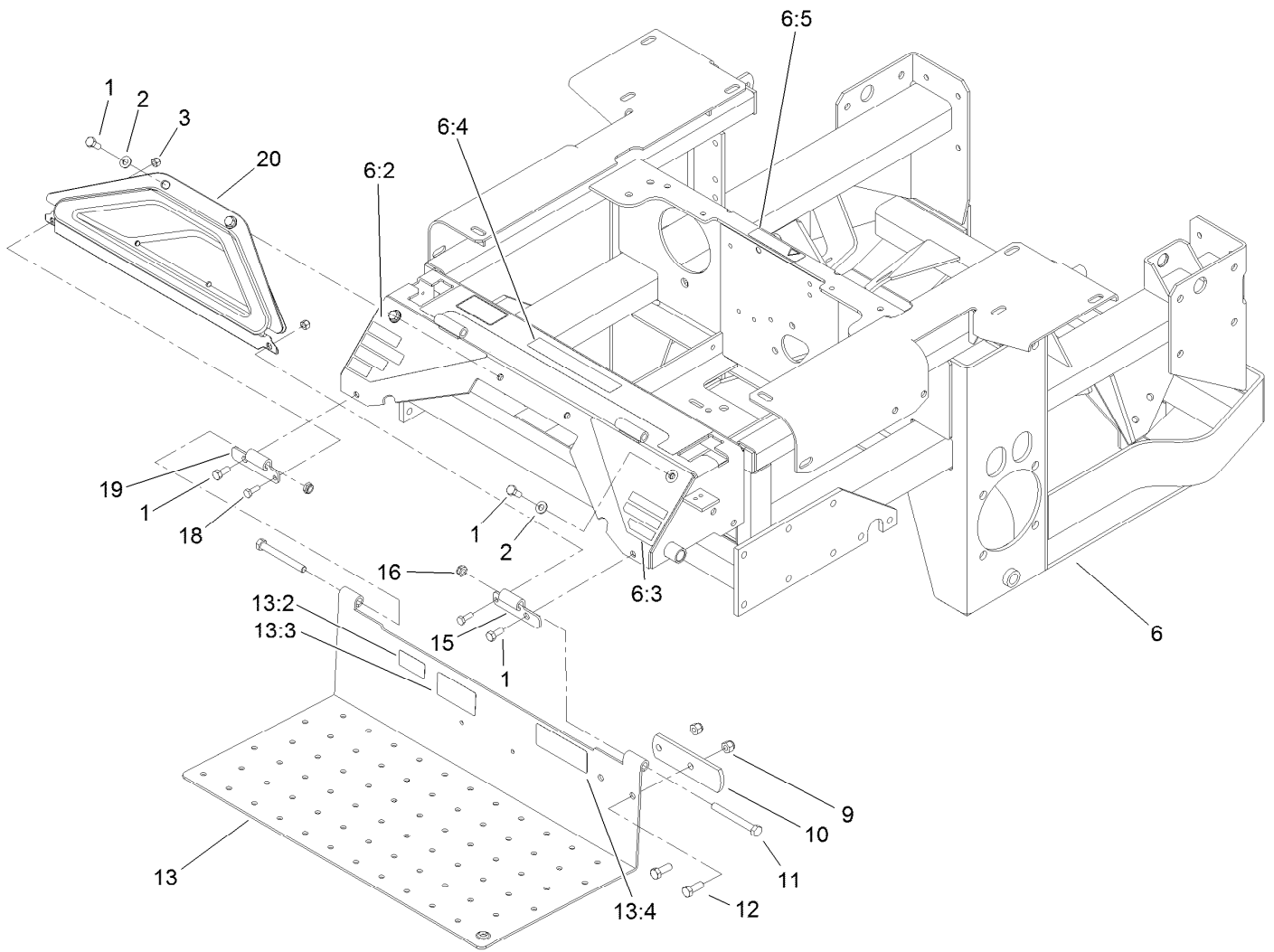
● Not serviced separately



Caster Wheel and Z Stand Assembly

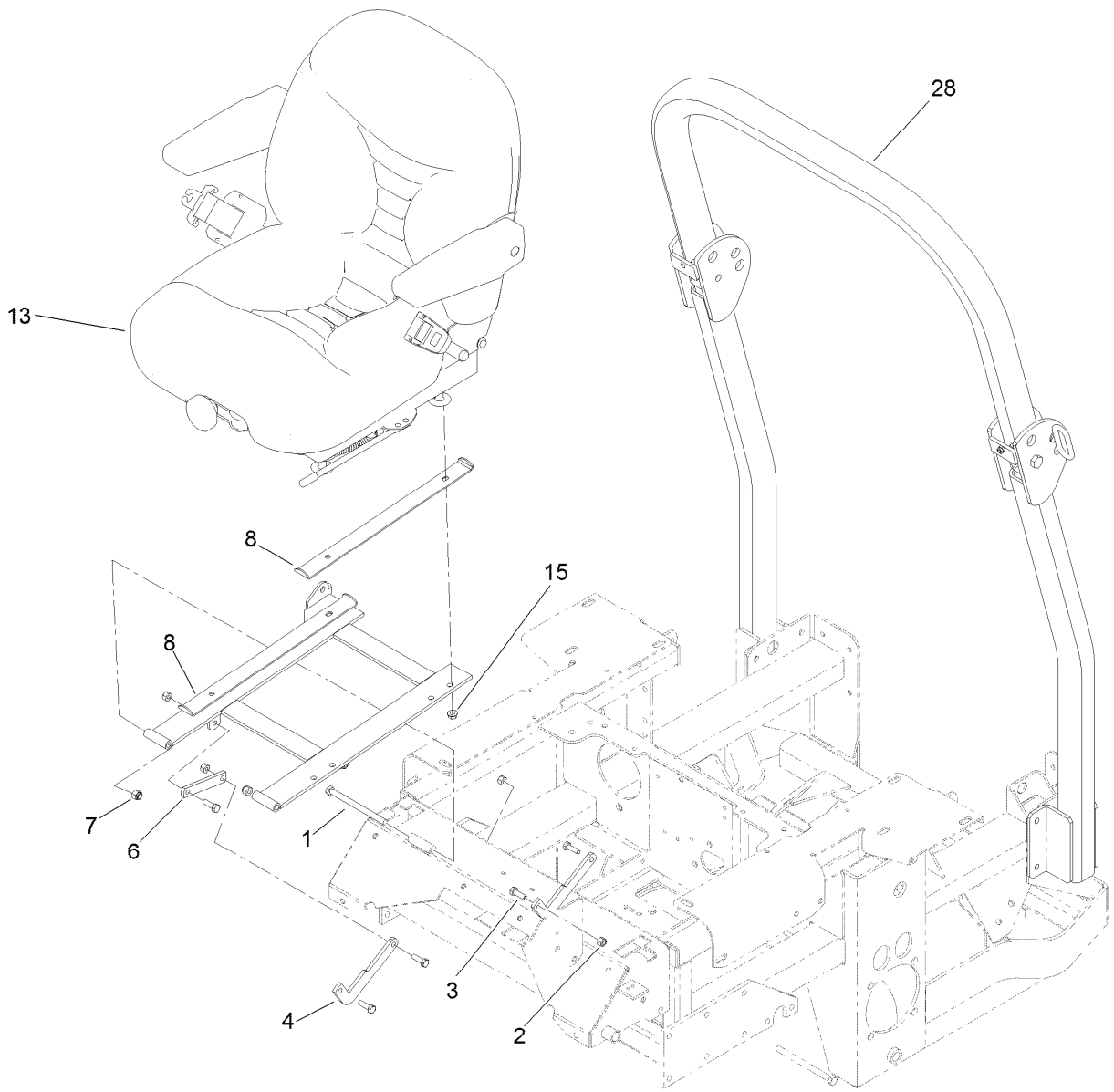
Ref.	Part Number	Qty.	Description	Ref.	Part Number	Qty.	Description
1	109-9125	2	Wheel And Tire ASM	11	283-71	1	Pin-Lynch
1:1	1-633585	2	Bearing-Cone, Taper	12	254-72	4	Bearing-Cup, Tapered
1:2	103-0063	2	Seal-Caster	13	254-94	4	Bearing-Cone, Tapered
1:3	103-3051	2	Spacer-Nut ●	14	1-633508	6	Washer-Bellville
1:4	103-5156	1	Axle-Caster	15	3296-51	2	Nut-Lock, NI
1:5	109-9124	1	Wheel And Tire ASM	16	103-4882	2	Cap-Grease
1:5:1	1-633584	1	Bearing-Cup	17	105-1647	1	Pin-Hitch, Cotterless
2	3296-23	2	Nut-Lock, NI	18	100-9385	1	Lanyard-Nylon
3	107-1874	1	Leg ASM	19	3296-42	1	Nut-Lock, NI
3:2	106-7464	1	Decal-Z Stand	20	100-6547	2	Cushion-Rubber
4	3290-355	1	Pin-Hair	21	100-6542-01	1	Bracket-Cradle
5	100-9692-01	1	Pivot Pin ASM	22	323-20	1	Screw-HH
6	3-6781	2	Washer-Thrust	23	321-4	1	Screw-HH
7	283-55	1	Pin-Clevis	24	1-543511	2	Seal-Grease
8	323-8	1	Screw-HH	25	103-1474-01	2	Caster-Fork
9	100-9686-01	1	Bracket-Latch	26	325-39	2	Screw-HH
10	3296-39	2	Nut-Lock, NI	28	103-2768	2	Guard-Seal

● Use Pro-Lock, Nut Type (P/N 1-840022, .5ml tube) on threads.



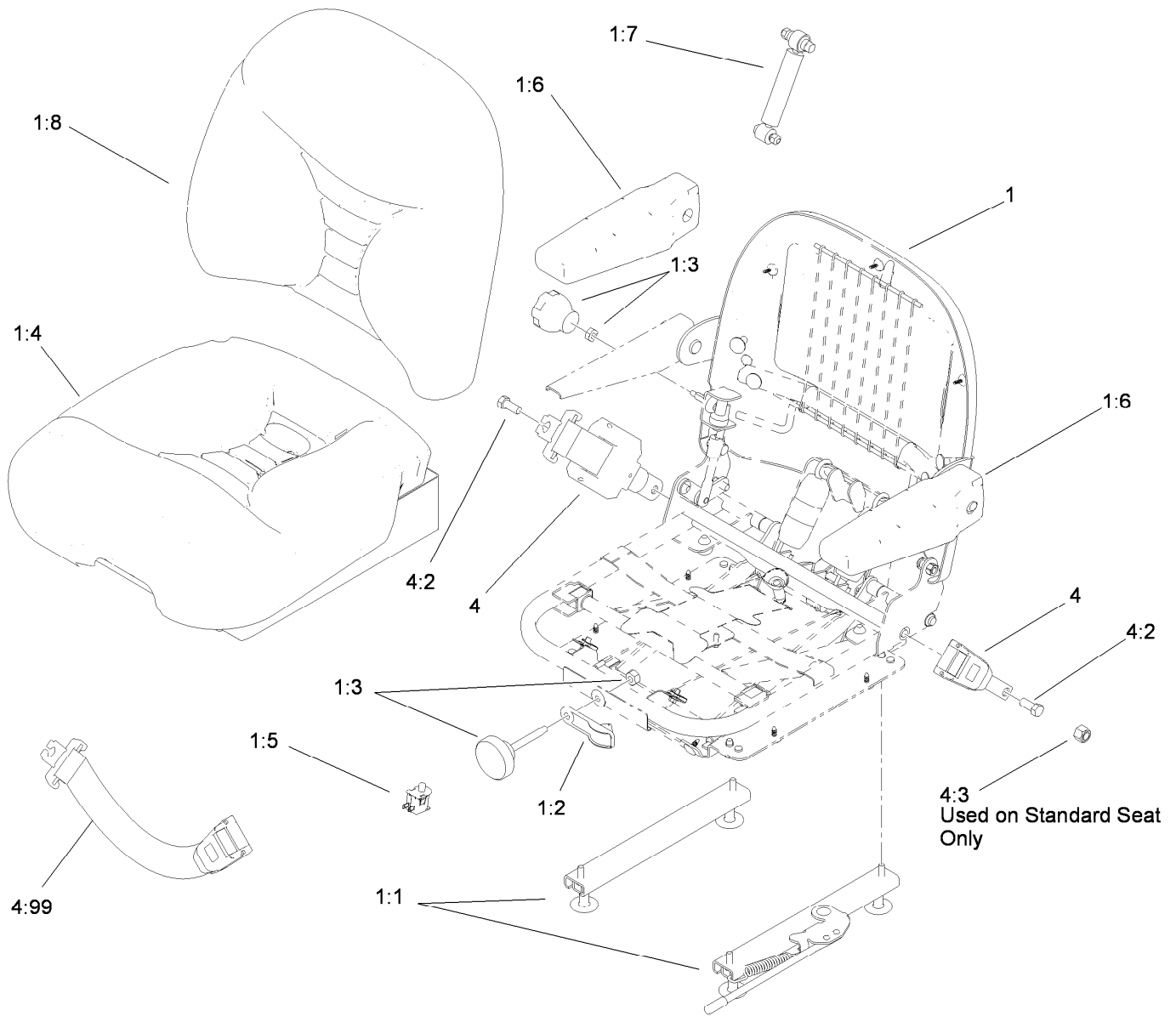
Engine Frame, Console and Floor Pan Assembly

<i>Ref.</i>	<i>Part Number</i>	<i>Qty.</i>	<i>Description</i>	<i>Ref.</i>	<i>Part Number</i>	<i>Qty.</i>	<i>Description</i>
1	322-43	6	Screw-HH	12	323-6	2	Screw-HH
2	3256-70	4	Washer-Flat	13	115-3852	1	Floor Pan ASM
3	3296-42	2	Nut-Lock, NI	13:2	98-4387	1	Decal-Protection, Ear
6	115-3551	1	Engine Frame ASM	13:3	107-1864	1	Decal-Location, Manual
6:2	106-9989	1	Decal-Warning	13:4	121-7559	1	Decal-Diesel, Bio-Ready
6:3	106-7492	1	Decal-Danger	15	106-7488-03	1	Hinge-Floorpan, LH
6:4	107-9866	1	Decal-Console, Top	16	3296-59	2	Nut-Lock, NI
6:5	98-5954	2	Decal-Cover, Missing	18	321-4	2	Screw-HH
9	3296-39	2	Nut-Lock, NI	19	106-7489-03	1	Hinge-Floorpan, RH
10	1-633964-03	1	Stop-Brake, Park	20	106-7498	1	Pocket
11	323-20	2	Screw-HH				



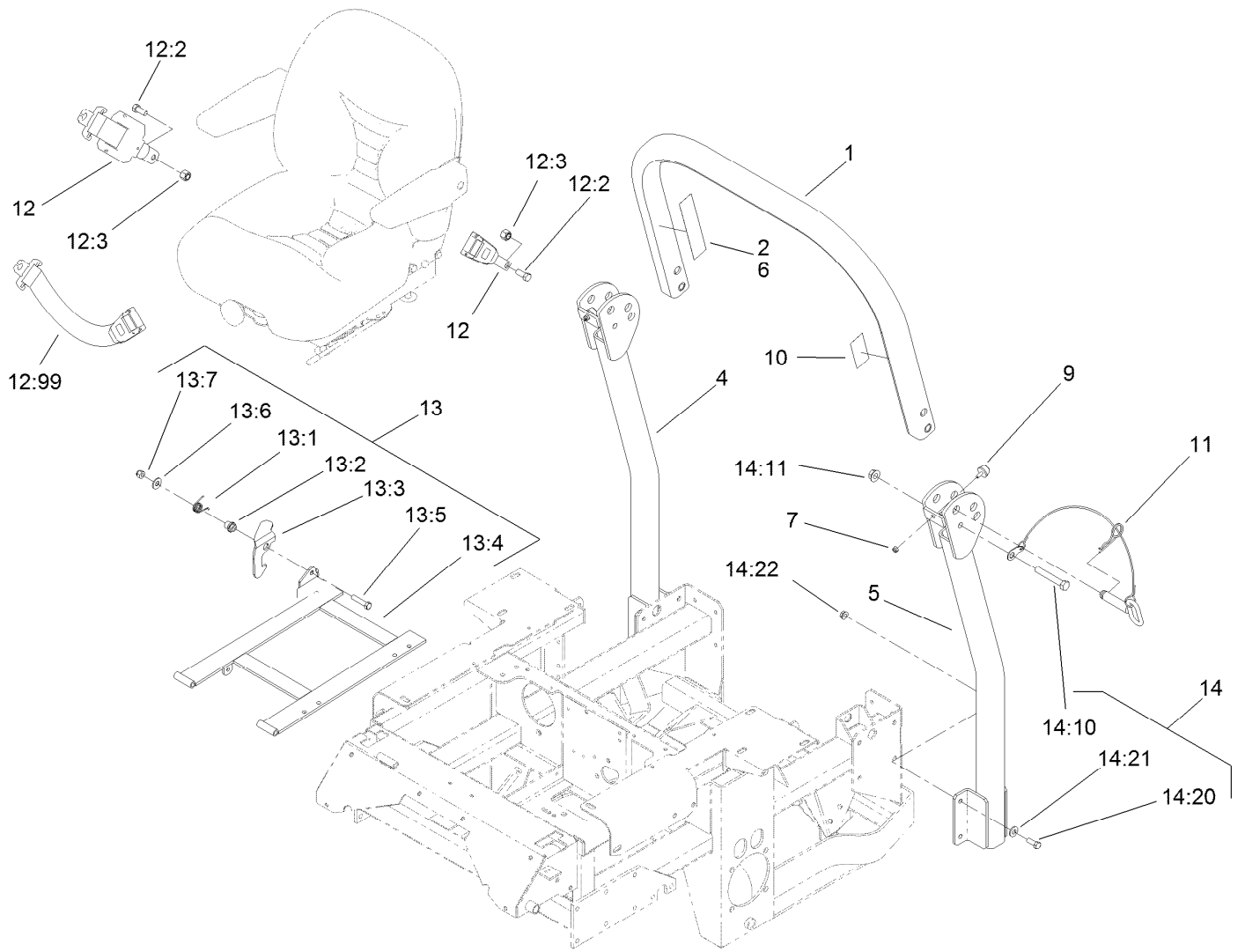
Seat and Roll-Over Protection System Assembly

<i>Ref.</i>	<i>Part Number</i>	<i>Qty.</i>	<i>Description</i>
1	323-39	2	Screw-HH
2	3296-29	4	Nut-Lock, NI
3	322-5	5	Screw-HH
4	109-2759	2	Link-Stop, Seat
6	103-5161	2	Link-Stop, Seat
7	3296-39	2	Nut-Lock, NI
8	1-633872-03	2	Stop-Seat
13	110-0838	1	Deluxe Seat ASM
15	32128-20	4	Nut-HF
28	106-7437	1	ROPS ASM



Deluxe Seat Assembly No. 110-0838

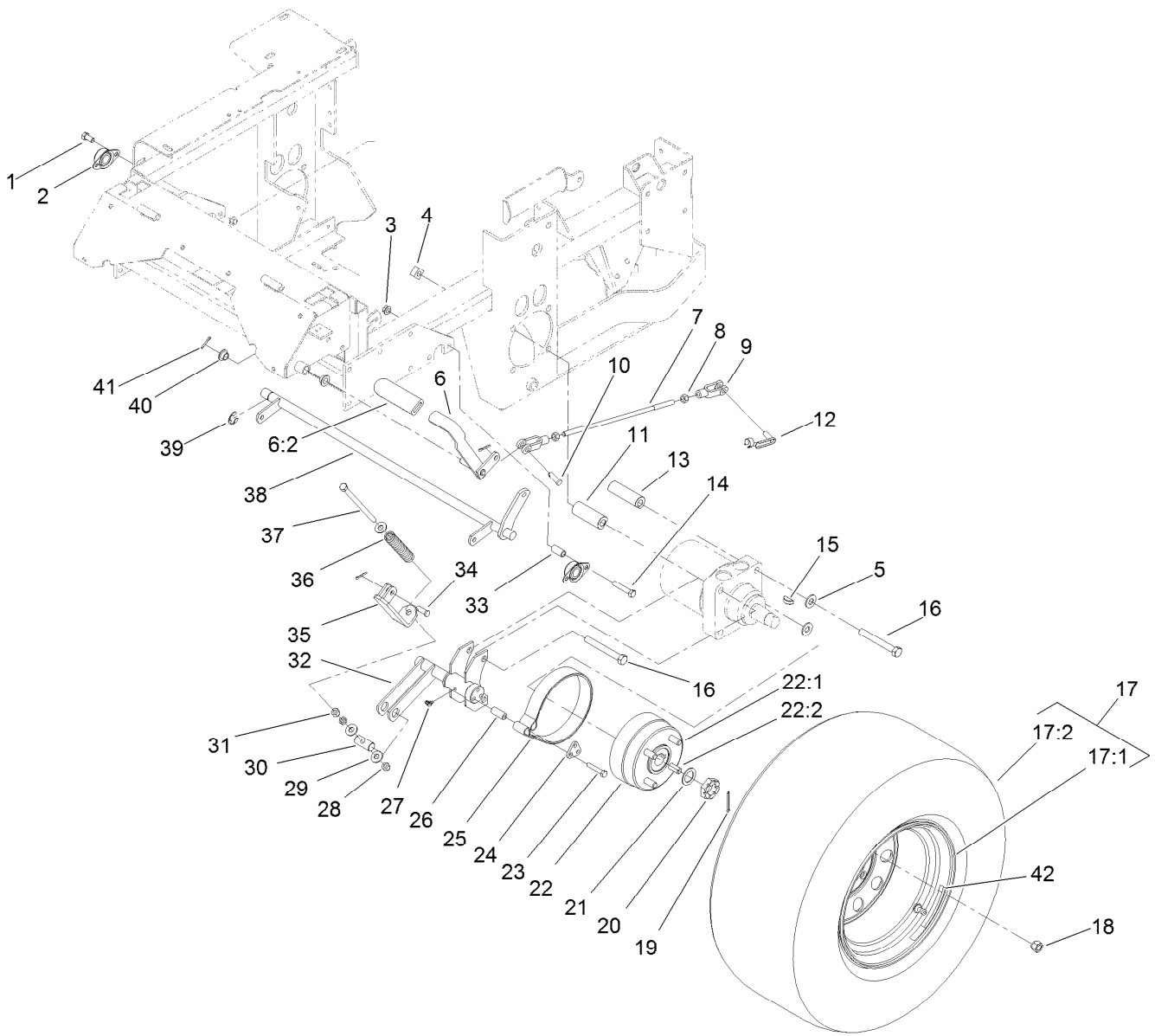
Ref.	Part Number	Qty.	Description
1	112-8355	1	Seat-Suspension
1:1	107-1880	1	Seat Track Kit
1:2	107-1885	1	Weight Indicator Kit
1:3	107-1881	1	Knob Kit
1:4	107-1883	1	Bottom Cushion Kit
1:5	82-2190	1	Switch-Bail
1:6	107-1887	1	Armrest Kit
1:7	107-1884	1	Shock Absorber Kit
1:8	112-8356	1	Cushion-Back
4	110-0883	1	Retractable Seatbelt Kit
4:2	3212-4	2	Screw-HH
4:3	3296-7	2	Nut-Lock
4:99	109-6226	1	Seat Belt Extension Kit



Roll-Over Protection System Assembly No. 106-7437

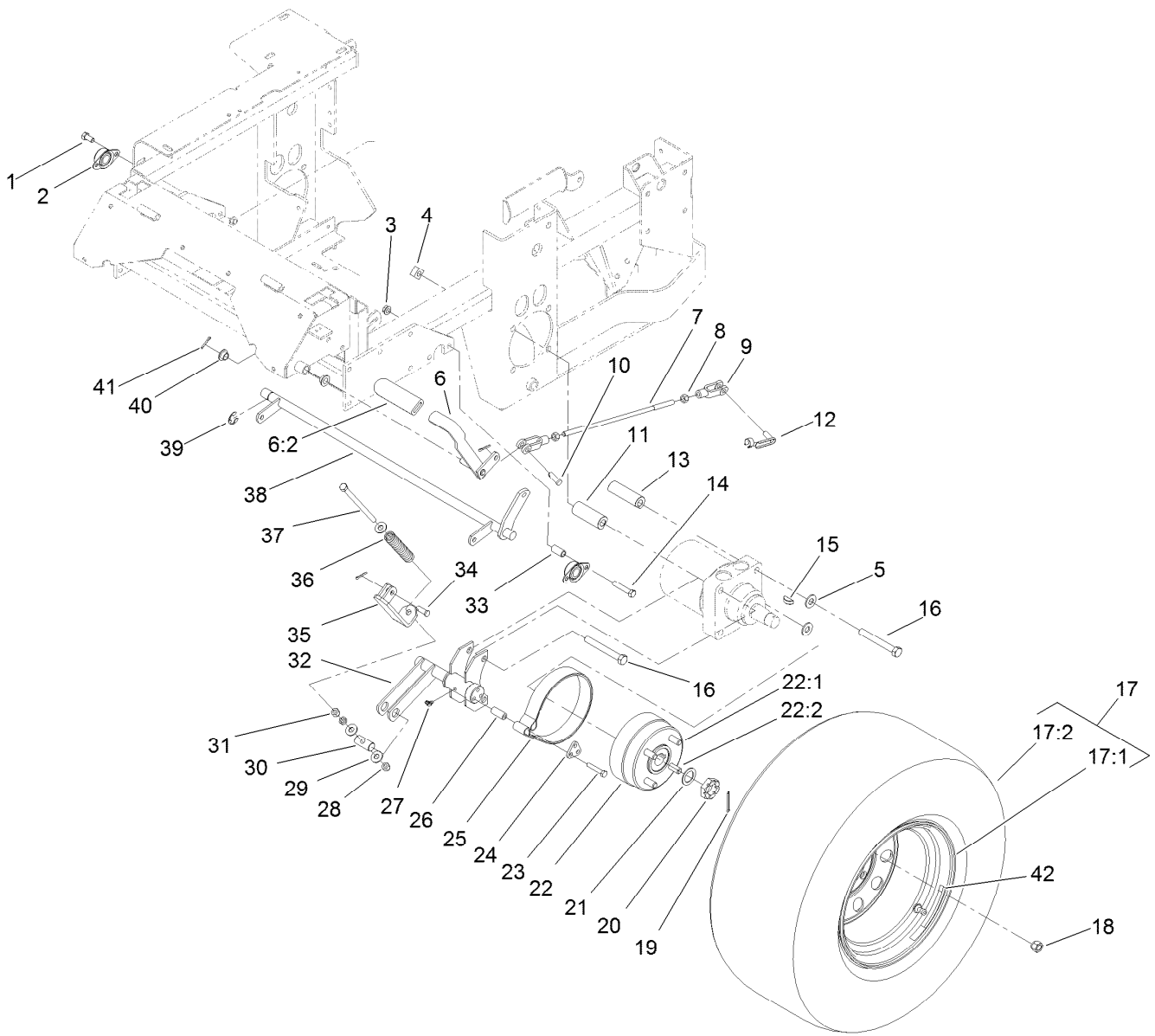
Ref.	Part Number	Qty.	Description	Ref.	Part Number	Qty.	Description
1		1	Upper Tube ASM ●	13	109-1813	1	Seat Frame Single Latch ASM
2	107-2102	1	Decal-Warning, Folding ROPS	13:1	103-5520	1	Catch-Latch, Single
4		1	Tube-Support, RH ●	13:2	103-5519	1	Spring-Torsion, Latch
5		1	Tube-Support, LH ●	13:3	107-0075	1	Bushing-Latch, Seat
6	107-3069	1	Decal-Warning, Folding ROPS	13:4	109-9222-03	1	Frame-Seat
7	3296-73	2	Nut-Lock, NI	13:5	3256-4	1	Washer-Flat
9	109-2365	2	Rubber Bumper ASM	13:6	3296-39	1	Nut-Lock, NI
10	107-2101	1	Decal-ROPS	13:7	323-9	1	Screw-HH
11	103-4553	2	ROPS Fold Pin ASM	14		1	Bag-Bolt ●
12	110-0883	1	Retractable Seatbelt Kit	14:10	325-13	2	Screw-HH
12:2	3212-4	2	Screw-HH	14:11	32128-23	2	Nut-HF
12:3	3296-7	2	Nut-Lock	14:20	323-8	8	Screw-HH
12:99	109-6226	1	Seat Belt Extension Kit	14:21	98-5975	8	Washer-Belleville
				14:22	3290-357	8	Nut-HHF, Whiz

● Not serviced separately



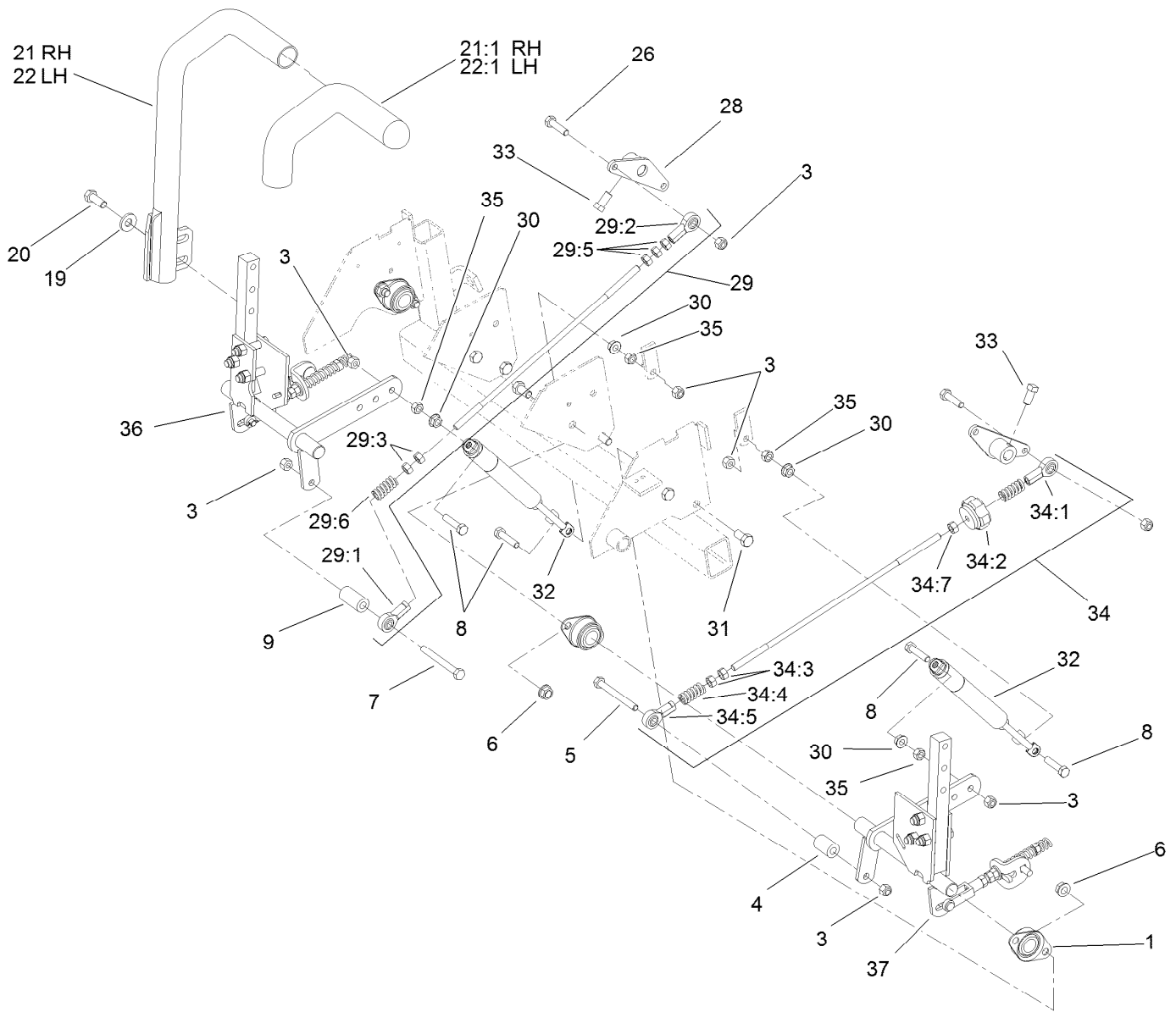
Wheel and Brake Assembly

Ref.	Part Number	Qty.	Description	Ref.	Part Number	Qty.	Description
1	323-4	2	Screw-HH	19	1-806800	2	Pin-Cotter
2	1-633102	2	Bearing-Flange, Side	20	1-809036	2	Nut-HH
3	3290-357	4	Nut-HHF, Whiz	21	1-523157	2	Washer-Spacer
4	109-5618	8	Nut-Square, Special	22	103-0590	2	Hub And Wheel ASM
5	87-7270	4	Washer-Thrust	22:1	103-0589	1	Wheel Hub ASM
6	103-0197	1	Brake Lever And Grip ASM	22:2	1-633926	4	Stud-Wheel
6:2	1-633268	1	Grip-Lever	23	322-9	6	Screw-HH
7	103-1708	1	Rod-Brake	24	103-0374	2	Retainer-Band, Brake
8	3219-3	2	Nut-Hex	25	103-0355	2	Band-Brake
9	1-633131	2	Yoke-Linkage, Brake	26	103-0384	6	Spacer
10	1-808285	1	Pin-Clevis	27	1481	2	Fitting-Grease
11	114-1184	4	Spacer-Wheel, Short	28	3296-39	4	Nut-Lock, NI
12	103-2399	1	Pin-Spring, Clevis	29	3256-4	6	Washer-Flat
13	114-1185	4	Spacer-Wheel, Long	30	1-633144	2	Pin-Trunion
14	323-10	2	Screw-HH	31	3218-3	2	Nut-Jam
15	3257-42	2	Key-Woodruff	32	103-0844-03	2	Brake-Narrow
16	325-17	8	Screw-HH	33	103-0051	2	Spacer-Retainer, Brake
17	109-3157	2	Wheel And Tire ASM	34	1-808284	2	Pin-Clevis
17:1	109-3156	1	Rim ASM	35	103-1117-03	2	Linkage-Brake, Lower
17:2	103-4963	1	Tire	36	1-633454	2	Spring-Brake
18	242-50	8	Nut-Lug	37	323-58	2	Bolt-TAP, HH



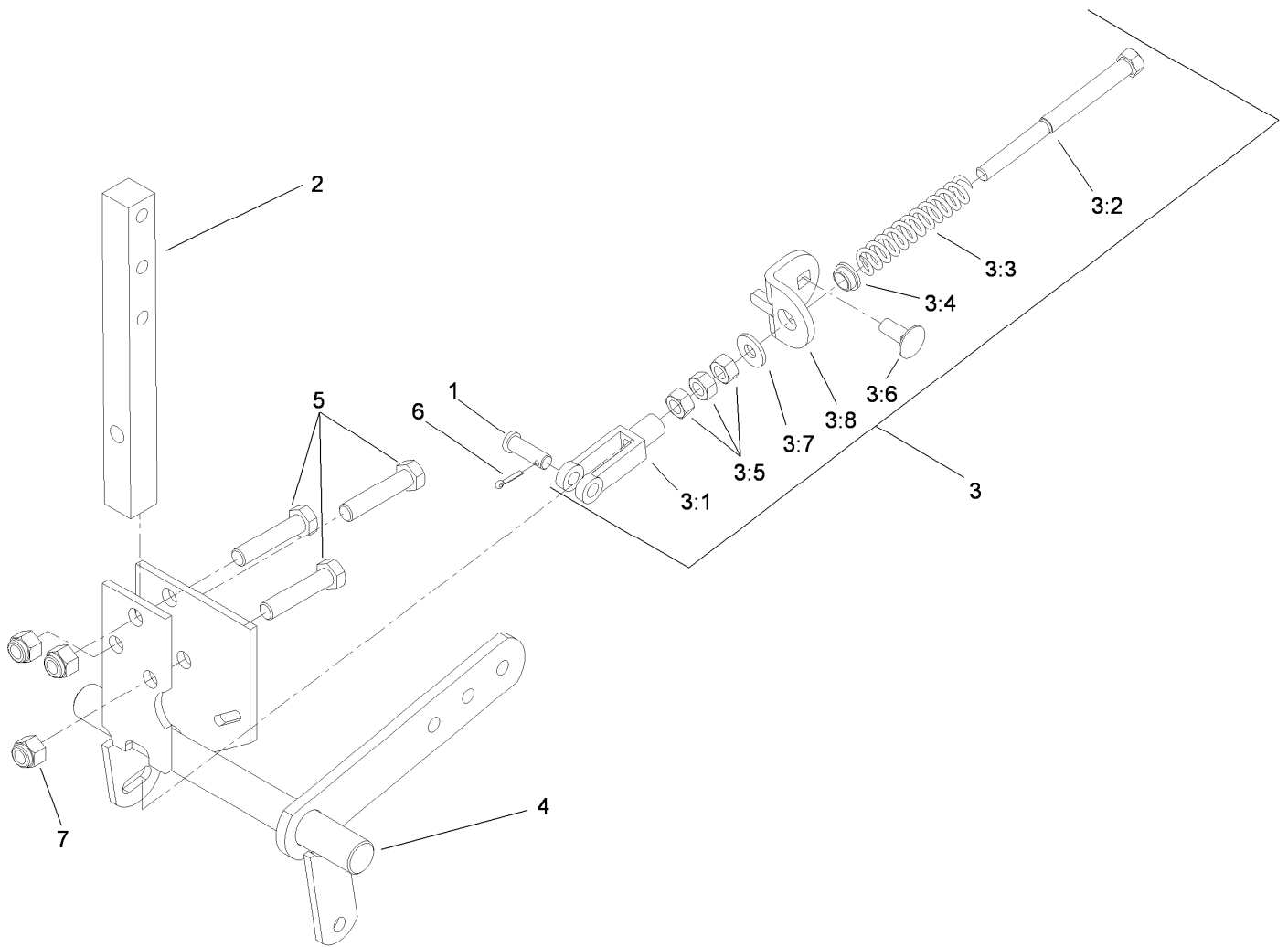
Wheel and Brake Assembly (continued)

<i>Ref.</i>	<i>Part Number</i>	<i>Qty.</i>	<i>Description</i>	<i>Ref.</i>	<i>Part Number</i>	<i>Qty.</i>	<i>Description</i>
38	103-5243-03	1	Shaft-Brake	41	3272-10	4	Pin-Cotter
39	32151-48	1	E-Ring	42	109-7949	2	Decal
40	1-513140	2	Bearing-Control				



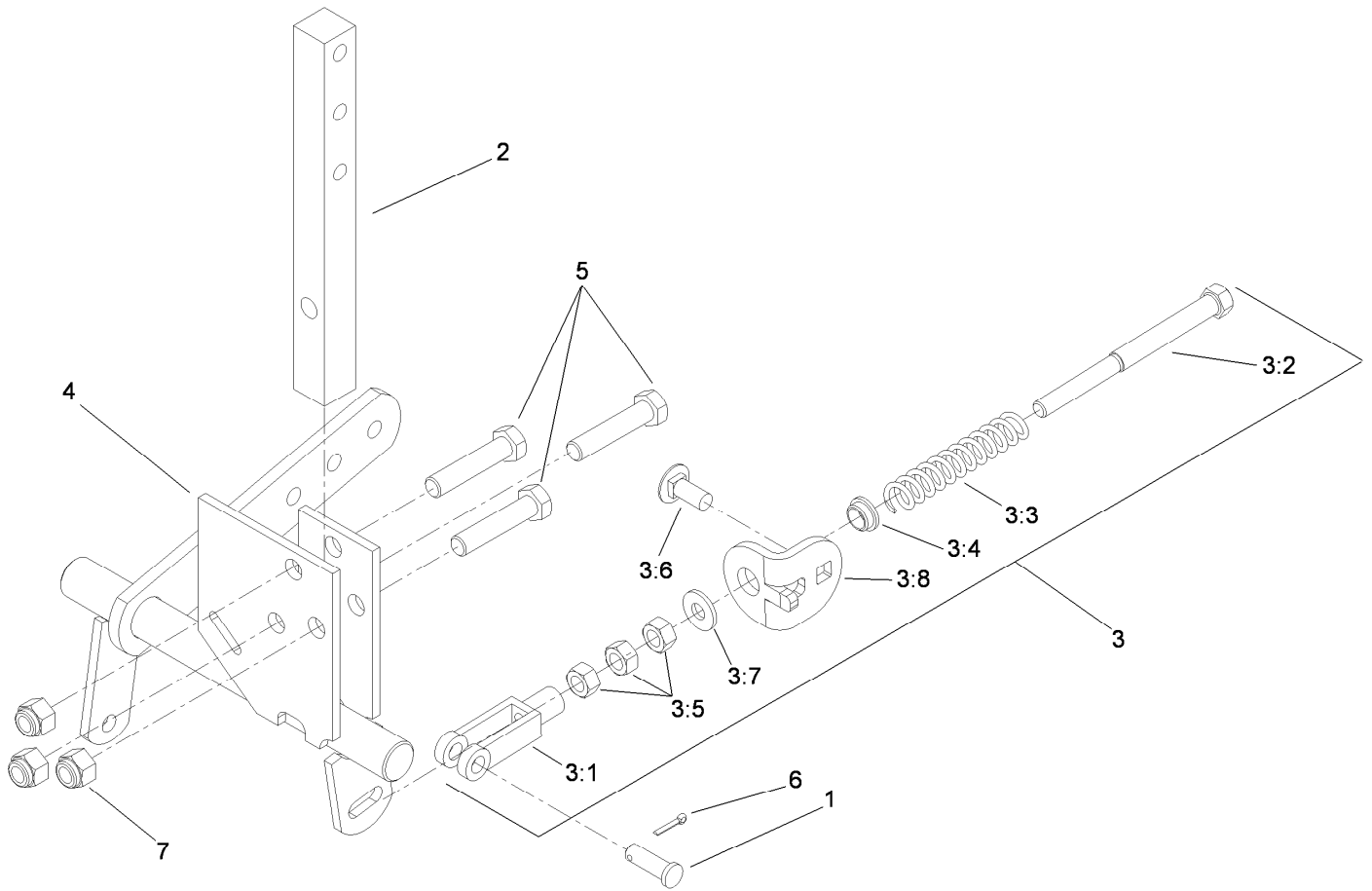
Motion Control Assembly

Ref.	Part Number	Qty.	Description	Ref.	Part Number	Qty.	Description
1	1-633102	4	Bearing-Flange, Side	29:2	1-633152	1	Balljoint-LH
3	3296-29	8	Nut-Lock, NI	29:3	1-804524	2	Nut
4	103-1361	1	Spacer-Hydro Control, LH	29:5	3219-2	3	Nut-Hex
5	322-12	1	Screw-HH	29:6	1-323245	1	Spring-Compression
6	3290-357	8	Nut-HHF, Whiz	30	32128-20	6	Nut-HF
7	322-14	1	Screw-HH	31	323-4	8	Screw-HH
8	1-403180	4	Screw-HH	32	109-2339	2	Damper-Control, Motion
9	103-5192	1	Spacer-Control, HYD	33	1-803022	2	Screw-Set
19	98-5975	4	Washer-Belleville	34	103-3062	1	Tracking Rod ASM
20	323-6	4	Screw-HH	34:1	1-543017	1	Balljoint-RH
21	108-7237	1	RH Lever ASM	34:2	103-3060	1	Knob-Tracking
21:1	106-9987	1	Grip-Control, Motion	34:3	1-804524	2	Nut
22	108-7238	1	LH Lever ASM	34:4	1-323245	2	Spring-Compression
22:1	106-9987	1	Grip-Control, Motion	34:5	1-633152	1	Balljoint-LH
26	322-6	4	Screw-HH	34:7	3219-2	1	Nut-Hex
28	103-0194-03	2	Arm-Control, Hydro	35	3217-6	4	Nut-Hex
29	103-5190	1	RH HYD Connect Link ASM	36	109-3978	1	RH Motion Control ASM
29:1	1-543017	1	Balljoint-RH	37	109-3979	1	LH Motion Control ASM



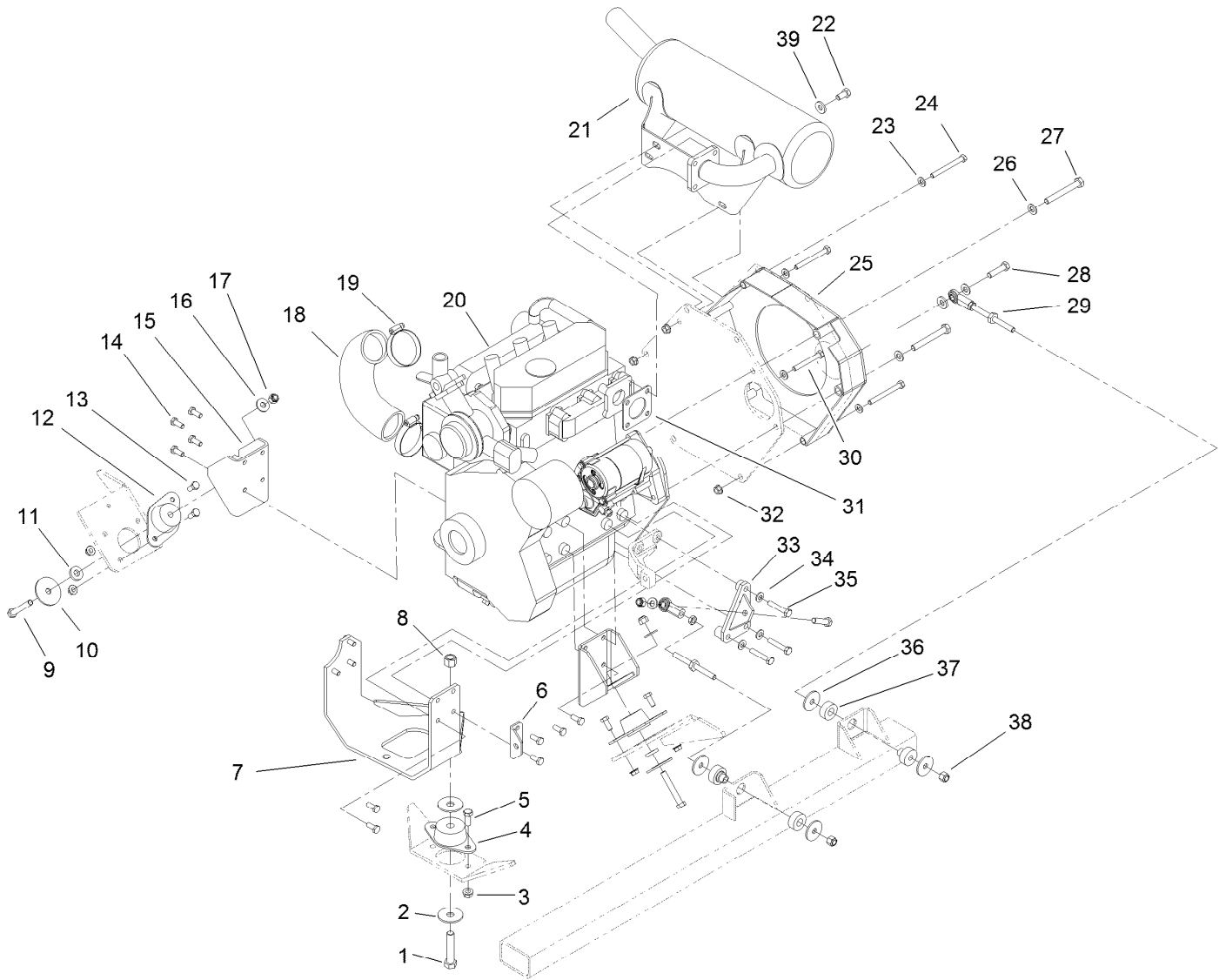
RH Motion Control Assembly No. 109-3978

Ref.	Part Number	Qty.	Description
1	1-808280	1	Pin-Clevis
2	103-0407	1	Arm-Shaft, Control
3	109-3903	1	Neutral Return ASM
3:1	1-303105	1	Yoke-Adjustable
3:2	1-603737	1	Bolt-Return, Neutral
3:3	1-603807	1	Spring-Return, Neutral
3:4	109-3769	1	Bushing-Nylon, Flanged
3:5	3219-2	3	Nut-Hex
3:6	3230-23	1	Screw-CARR
3:7	3256-2	1	Washer-Flat
3:8	109-3908	1	Tab-Adjustment
4	109-3980	1	Control-Motion, RH
5	323-9	3	Screw-HH
6	3272-5	1	Pin-Cotter
7	3296-39	3	Nut-Lock, NI



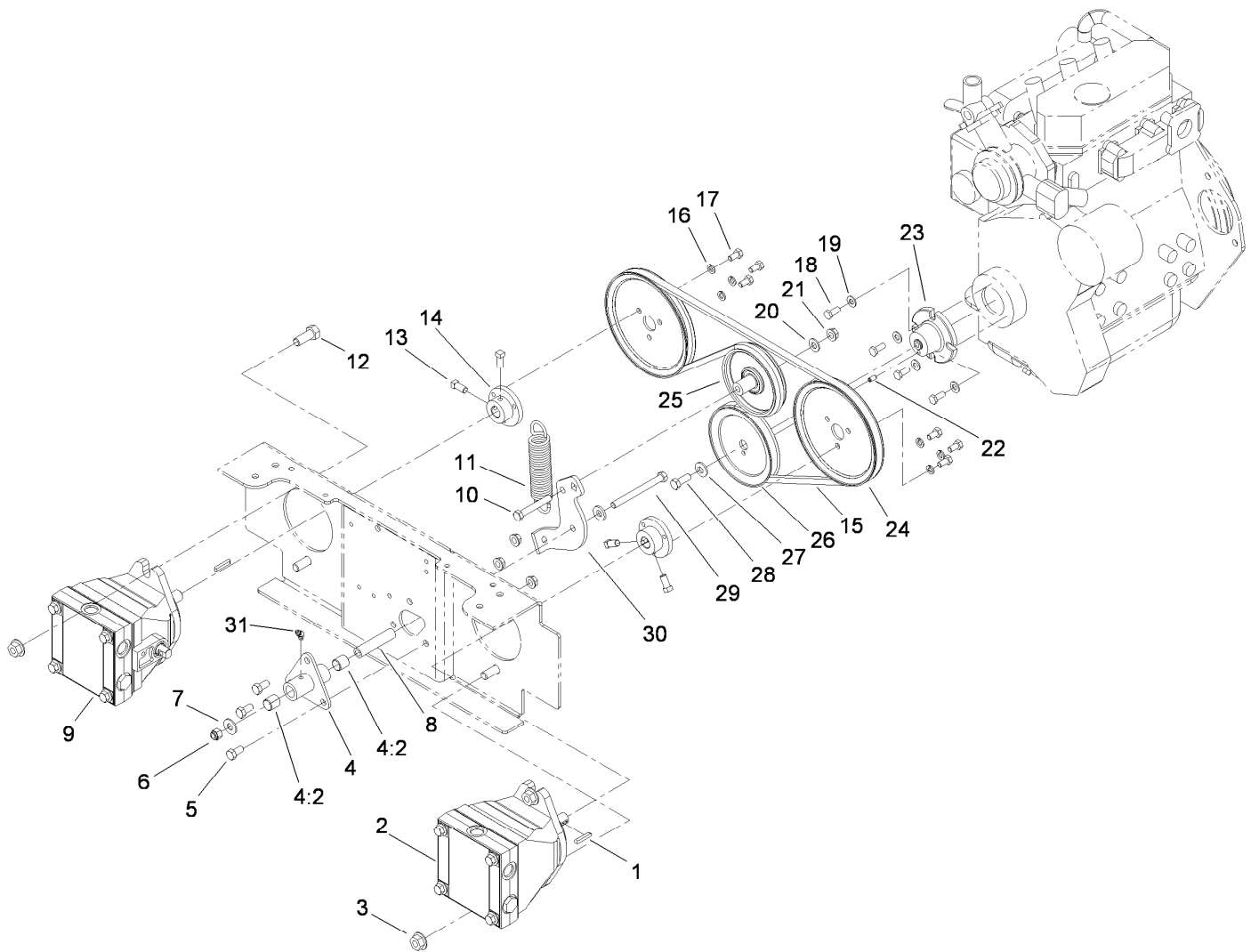
LH Motion Control Assembly No. 109-3979

Ref.	Part Number	Qty.	Description
1	1-808280	1	Pin-Clevis
2	103-0407	1	Arm-Shaft, Control
3	109-3903	1	Neutral Return ASM
3:1	1-303105	1	Yoke-Adjustable
3:2	1-603737	1	Bolt-Return, Neutral
3:3	1-603807	1	Spring-Return, Neutral
3:4	109-3769	1	Bushing-Nylon, Flanged
3:5	3219-2	3	Nut-Hex
3:6	3230-23	1	Screw-CARR
3:7	3256-2	1	Washer-Flat
3:8	109-3908	1	Tab-Adjustment
4	109-3983	1	Control-Motion, LH
5	323-9	3	Screw-HH
6	3272-5	1	Pin-Cotter
7	3296-39	3	Nut-Lock, NI



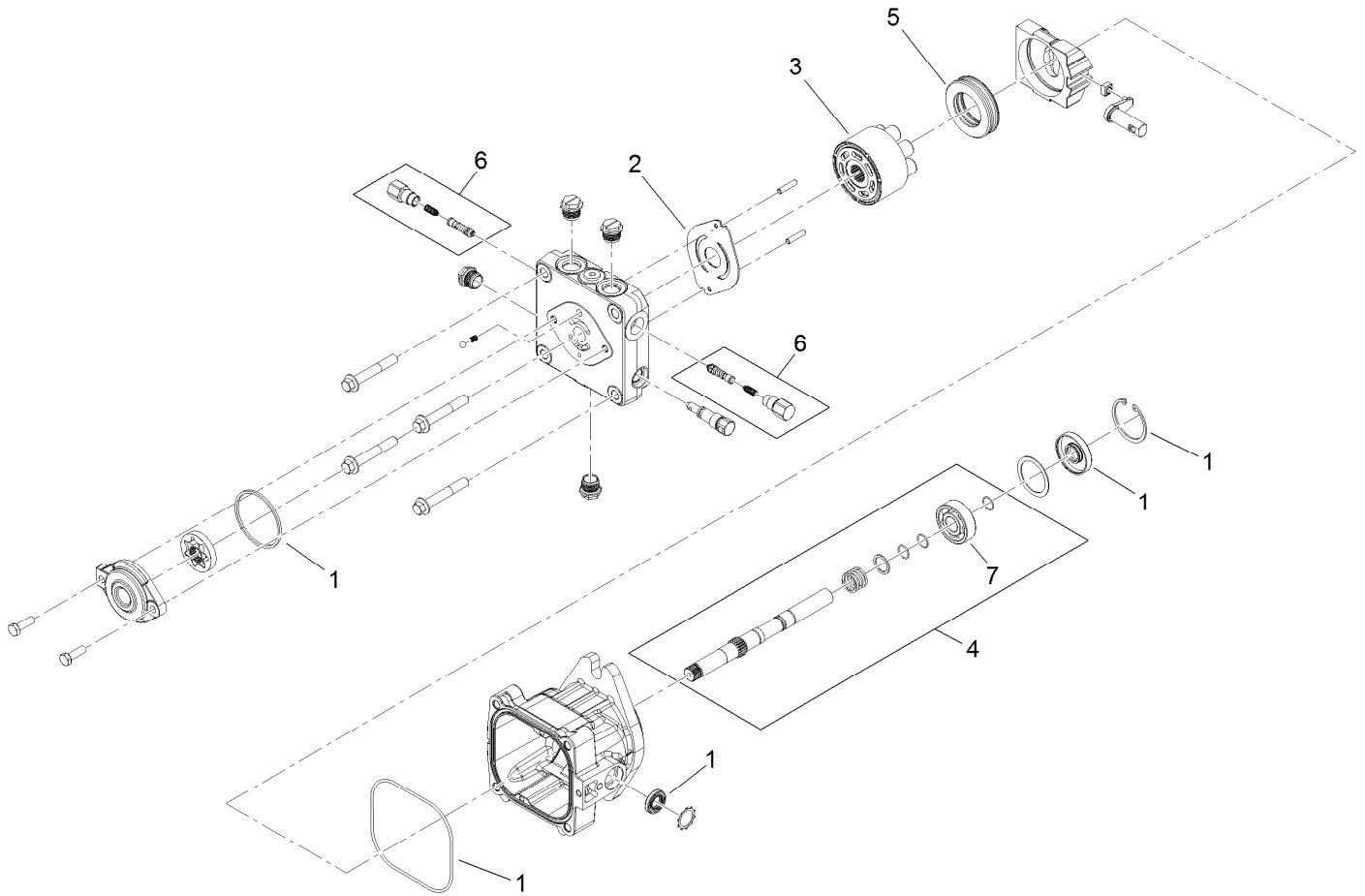
Engine Mount Assembly

<i>Ref.</i>	<i>Part Number</i>	<i>Qty.</i>	<i>Description</i>	<i>Ref.</i>	<i>Part Number</i>	<i>Qty.</i>	<i>Description</i>
1	325-10	1	Screw-HH	20	103-0888	1	Engine-Daihatsu
2	86-1990	2	Washer	21	103-2592	1	Muffler Kit
3	3290-357	2	Nut-HHF, Whiz	22	98-5975	3	Washer-Belleville
4	103-1022	1	Isolator-Rear	23	3256-23	4	Washer-Flat
5	323-5	2	Screw-HH	24	322-14	3	Screw-HH
6	103-3908	1	Bracket-Ground	25	103-3573-03	1	Cover-Flywheel
7	103-0870-03	1	Rear Engine Mount ASM	26	3256-24	4	Washer-Flat
8	3296-23	1	Nut-Lock, NI	27	56-2150	2	Screw-HH
9	323-12	2	Screw-HH	28	323-8	2	Screw-HH
10	83-1040	2	Washer-Flat	29	103-3745	2	Ball Joint Link ASM
11	66-6480	2	Washer	30	322-12	1	Screw-HH
12	103-2613	2	Isolator-Side	31	103-1385	1	Gasket-Muffler
13	322-3	4	Screw-HH	32	32128-20	7	Nut-HF
14	33114-020	15	Screw-HH	33	103-3556-03	1	Bracket-Engine, Front
15	103-0839-03	2	LH And RH Engine Mount ASM	34	1-303334	3	Washer-Spring
16	3256-4	2	Washer-Flat	35	33114-045	3	Screw-HH
17	3296-39	3	Nut-Lock, NI	36	93-6099	4	Washer
18	103-0921	1	Hose	37	103-3568	2	Isolator-Link
19	2412-42	2	Clamp-Hose	38	3296-6	2	Nut-Lock
				39	63-7790	2	Screw-Cap



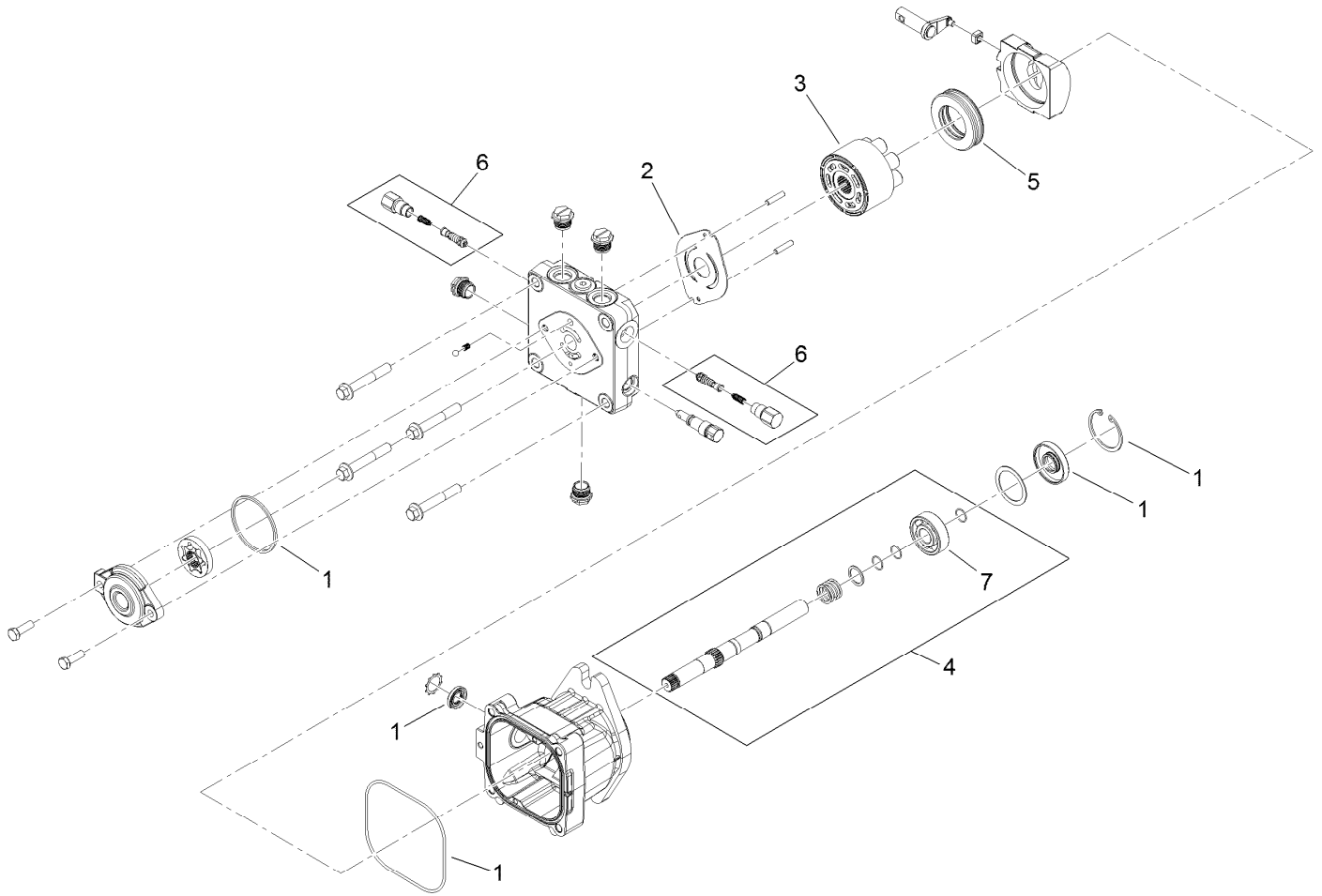
Wheel Pump Drive Assembly

Ref.	Part Number	Qty.	Description	Ref.	Part Number	Qty.	Description
1	103-2739	2	Key	16	1-805005	6	Washer-Lock
2	103-2978	1	Pump-Hydro, LH	17	322-2	6	Screw-HH
3	32128-49	4	Nut-HHF	18	33114-020	4	Screw-HH
4	103-4467	1	Pump Idler ASM	19	3256-23	4	Washer-Flat
4:2	1-513034	2	Sleeve-Bearing	20	3256-24	1	Washer-Flat
5	323-4	3	Screw-HH	21	3290-357	4	Nut-HHF, Whiz
6	3296-39	1	Nut-Lock, NI	22	103-1459	1	Pin-Roll
7	3256-4	1	Washer-Flat	23	103-1421	1	Hub-Drive, Pump
8	103-0919	1	Bushing-Tightener, Pivot	24	103-1472	2	Sheave-Pump
9	103-2979	1	Pump-Hydro, RH	25	103-4464	1	Idler-Pump
10	323-12	1	Screw-HH	26	103-5164	1	Sheave-Engine
11	1-603413	1	Spring-Extension	27	98-5975	2	Washer-Belleville
12	325-5	4	Screw-HH	28	323-6	1	Screw-HH
13	1-803050	4	Screw-Set	29	323-16	1	Screw-HH
14	103-1471	2	Hub-Pump	30	103-4463-03	1	Arm-Tightener, Pump
15	107-7724	1	Belt-V	31	302-11	1	Fitting-Lube, 45 DEG



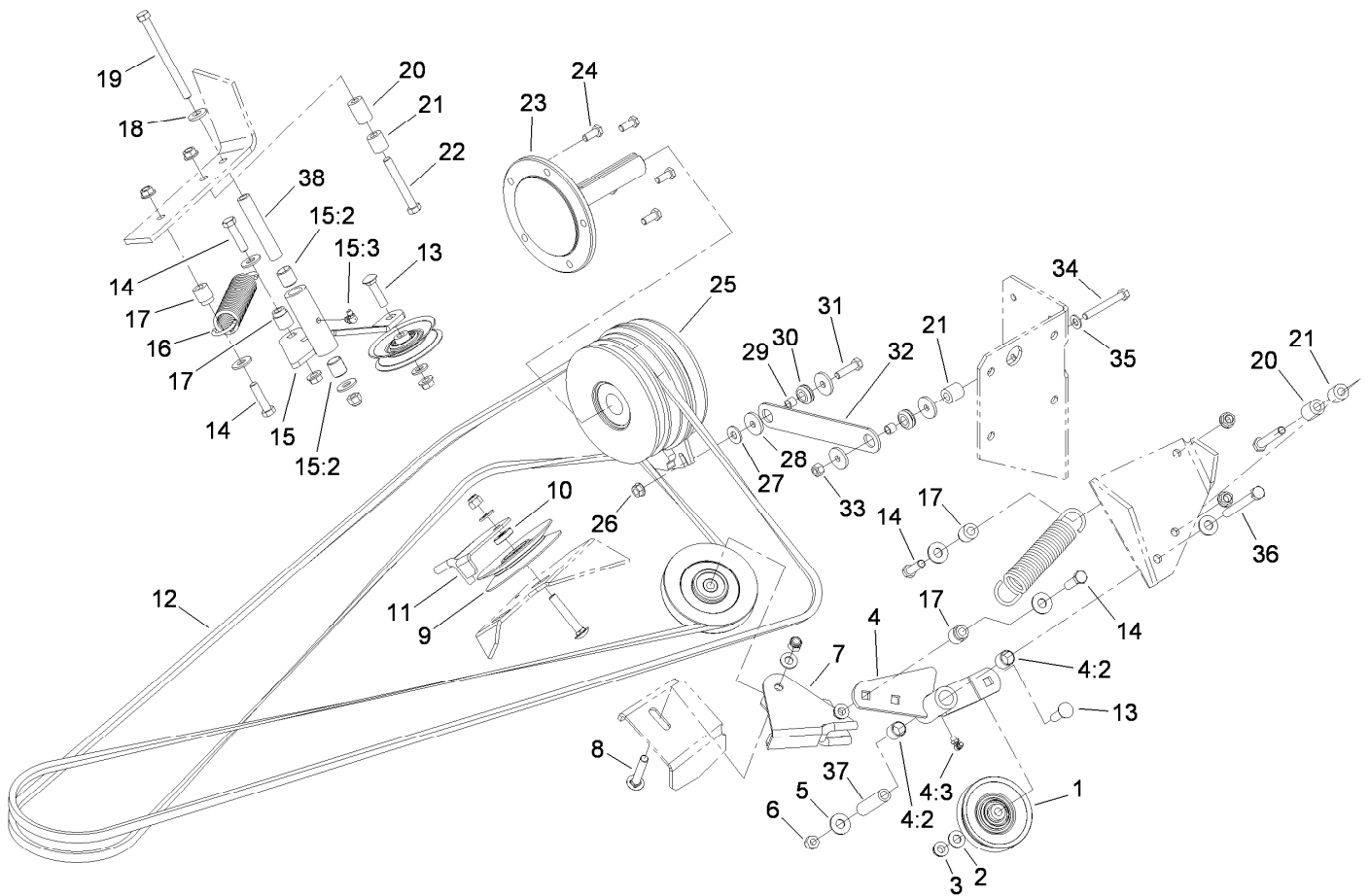
Hydraulic Pump Assembly No. 103-2978

<i>Ref.</i>	<i>Part Number</i>	<i>Qty.</i>	<i>Description</i>
1	100-6110	1	Overhaul Seal Kit
2	100-6112	1	Plate-Valve
3	94-1913	1	Cylinder Block ASM
4	103-2669	1	Input Shaft Kit
5	103-2670	1	Thrust Bearing Kit
6	103-2741	1	Shock Valve Kit
7	103-8439	1	Input Bearing Kit



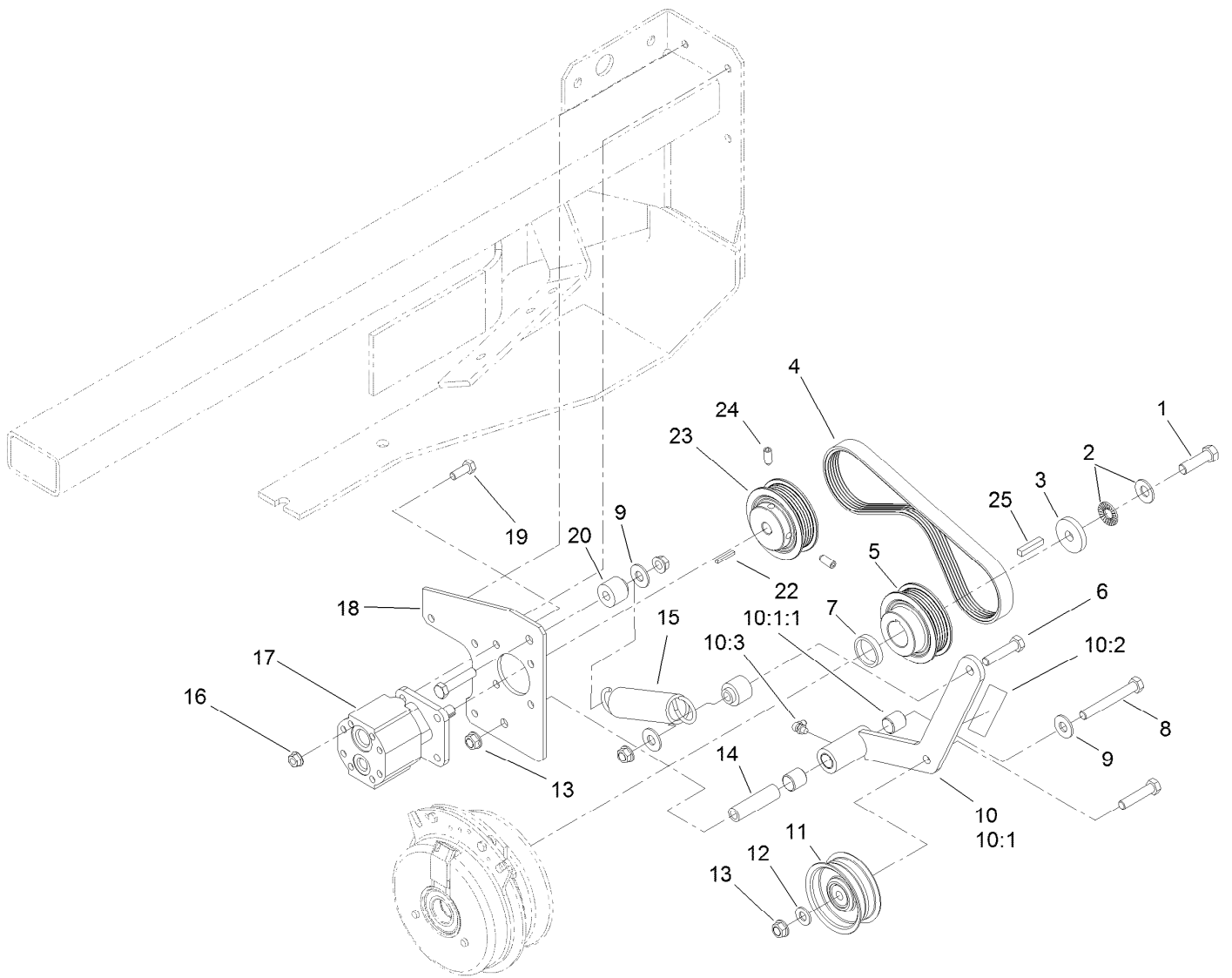
Hydraulic Pump Assembly No. 103-2979

<i>Ref.</i>	<i>Part Number</i>	<i>Qty.</i>	<i>Description</i>
1	100-6110	1	Overhaul Seal Kit
2	100-6112	1	Plate-Valve
3	94-1913	1	Cylinder Block ASM
4	103-2669	1	Input Shaft Kit
5	103-2670	1	Thrust Bearing Kit
6	103-2741	1	Shock Valve Kit
7	103-8439	1	Input Bearing Kit



Deck Belt Drive Assembly

<i>Ref.</i>	<i>Part Number</i>	<i>Qty.</i>	<i>Description</i>	<i>Ref.</i>	<i>Part Number</i>	<i>Qty.</i>	<i>Description</i>
1	103-0983	2	Sheave	18	98-5975	2	Washer-Belleville
2	3256-24	4	Washer-Flat	19	323-23	1	Screw-HH
3	3290-357	7	Nut-HHF, Whiz	20	103-1361	2	Spacer-Hydro Control, LH
4	107-9851	1	LH Idler ASM	21	103-0193	3	Spacer-Strap, Clutch
4:2	1-513034	2	Sleeve-Bearing	22	323-13	2	Screw-HH
4:3	302-40	1	Fitting-Grease	23	103-0286	1	Shaft-Stub
5	3256-4	6	Washer-Flat	24	33114-020	5	Screw-HH
6	3296-39	4	Nut-Lock, NI	25	109-6627	1	Clutch Kit
7	103-4011-03	1	Guard-Belt Sheave, LH	26	32128-20	1	Nut-HF
8	3231-40	2	Bolt-CARR	27	3256-3	1	Washer-Flat
9	103-0984	2	Sheave	28	1-613235	4	Washer
10	103-3186	1	Spacer-Bracket, Guide	29	1-633545	2	Spacer
11	103-4039-03	1	Guard-Belt Sheave, RH	30	1-633630	2	Grommet
12	107-7738	2	Belt-V	31	322-6	1	Screw-HH
13	3231-4	2	Screw-CARR	32	103-0192-03	1	Strap-Clutch / Brake
14	323-9	4	Screw-HH	33	3296-29	1	Nut-Lock, NI
15	107-9861	1	RH Idler ASM	34	322-12	1	Screw-HH
15:2	1-513034	2	Sleeve-Bearing	35	3256-23	1	Washer-Flat
15:3	302-40	1	Fitting-Grease	36	323-16	1	Screw-HH
16	103-1767	2	Spring-Extension	37	103-0919	1	Bushing-Tightener, Pivot
17	103-1503	4	Spacer-Tightener, Belt	38	103-0040	1	Bushing-Tightener, Pivot

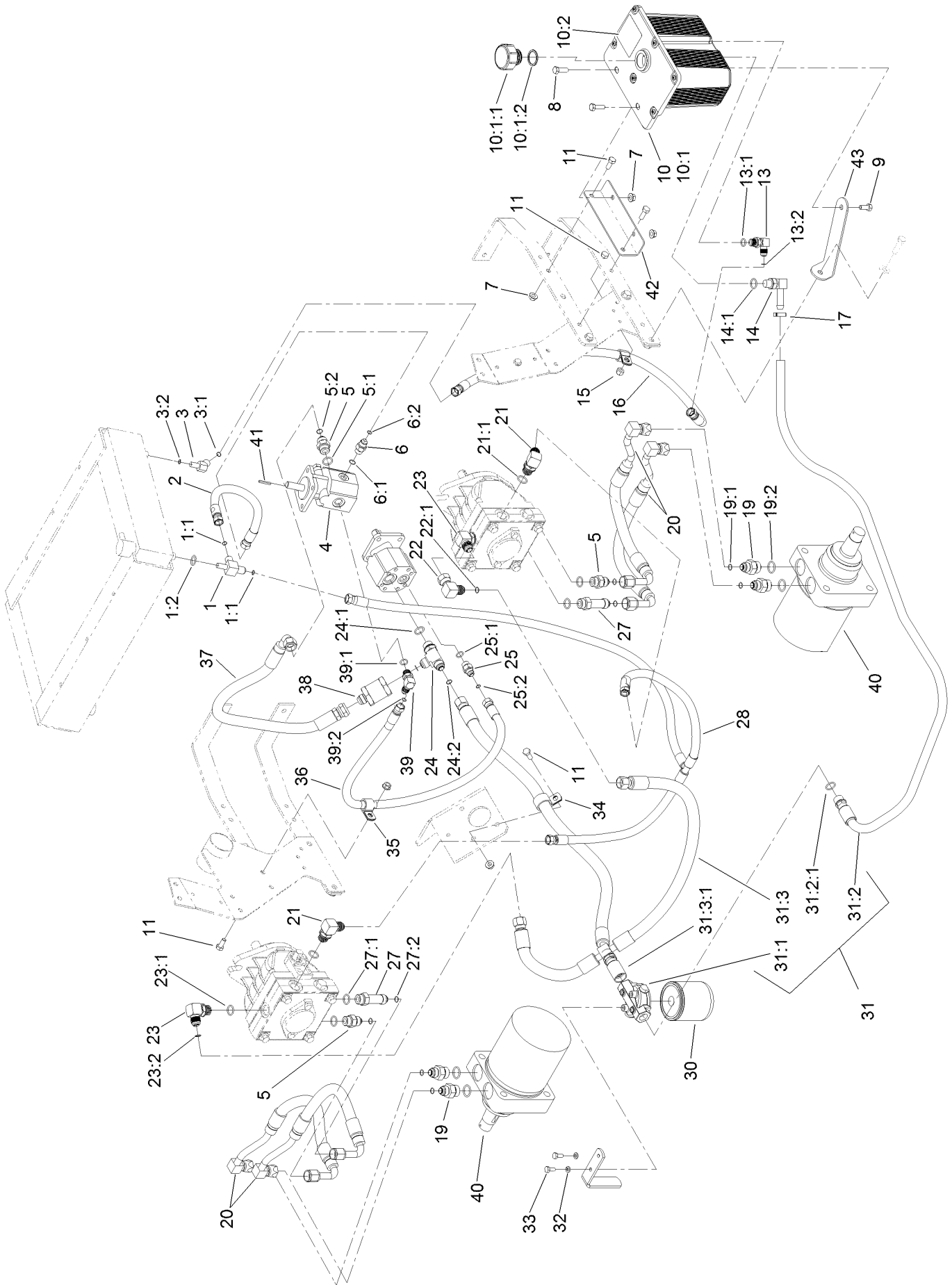


Cooling Pump Drive Assembly

Ref.	Part Number	Qty.	Description	Ref.	Part Number	Qty.	Description
1	3212-6	1	Screw-HH	11	1-633167	1	Sheave-Idler
2	1-603610	2	Washer-Spring	12	3256-24	1	Washer-Flat
3	1-543610	1	Washer-Clutch	13	3290-357	4	Nut-HHF, Whiz
4	107-7739	1	Belt-Poly V	14	1-603384	1	Bushing-Pivot, Idler
5	103-1339	1	Sheave-5 Rib	15	1-603414	1	Spring-Extension
6	323-9	3	Screw-HH	16	3296-29	4	Nut-Lock, NI
7	103-1422	1	Spacer-Pump Drive, Fan	17	103-7431	1	Pump-Fan, Cooling
8	323-14	1	Screw-HH	18	103-1299-03	1	Plate-Mating, Fan Pump
9	3256-4	3	Washer-Flat	19	322-4	4	Screw-HH
10	107-9879	1	Wheel Pump Tension ASM	20	103-1575	2	Spacer-Spring, Fan Pump
10:1		1	Tensioner ASM ●	22	32150-1	1	Key-Square
10:1:1	1-513034	2	Sleeve-Bearing	23	103-1338	1	Sheave-5 Rib
10:2	98-5954	1	Decal-Cover, Missing	24	3246-6	2	Screw-Set, HSH
10:3	302-40	1	Fitting-Grease	25	13-2840	1	Key-Square

● Not serviced separately

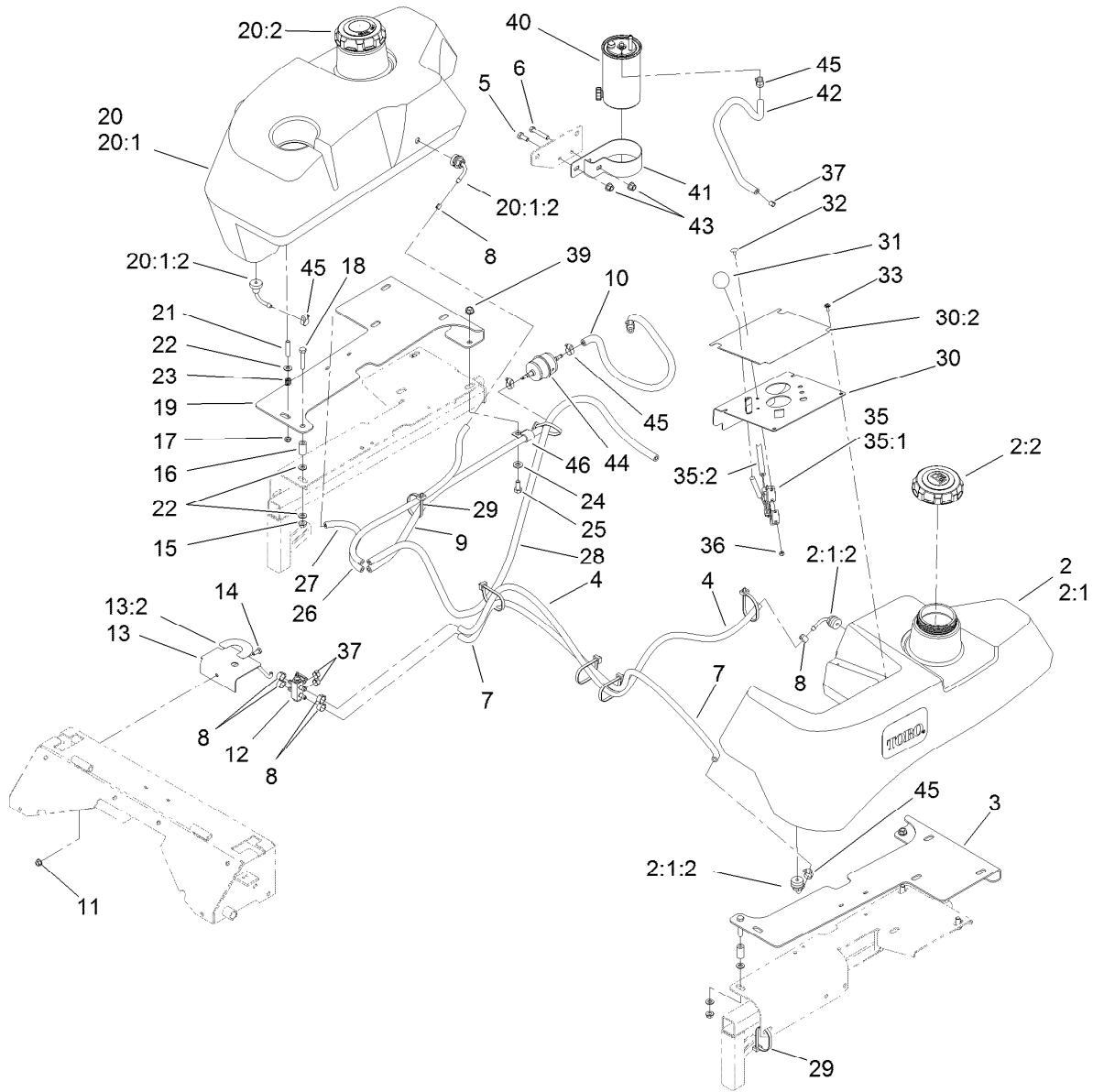
Hydraulic System Assembly



Hydraulic System Assembly (continued)

<i>Ref.</i>	<i>Part Number</i>	<i>Qty.</i>	<i>Description</i>	<i>Ref.</i>	<i>Part Number</i>	<i>Qty.</i>	<i>Description</i>
1	108-5998	1	Fitting-HYD, Straight Tee	22	103-2315	1	Fitting-90 DEG
1:1	237-21	2	O-Ring	22:1	1-603992	1	O-Ring
1:2	237-42	1	O-Ring	23	103-2153	2	Fitting-90 DEG
2	103-2173	1	Fan Case Drain Hose ASM	23:1	1-603920	1	O-Ring
3	108-5999	1	Fitting-HYD, 45 Elbow	23:2	1-603992	1	O-Ring
3:1	237-21	1	O-Ring	24	103-2159	1	Fitting-Tee
3:2	237-42	1	O-Ring	24:1	1-603920	1	O-Ring
4	103-7430	1	Motor-Fan, Cooling	24:2	1-603992	2	O-Ring
5	1-603990	3	Fitting-Straight	25	103-2156	1	Fitting-Straight
5:1	1-603920	1	O-Ring	25:1	1-603921	1	O-Ring
5:2	1-603992	1	O-Ring	25:2	103-1020	1	O-Ring
6	103-2157	1	Fitting-Straight	27	103-1940	2	Adapter-HYD, Straight
6:1	1-603923	1	O-Ring	27:1	237-79	1	O-Ring
6:2	103-1020	1	O-Ring	27:2	1-603992	1	O-Ring
7	32128-20	7	Nut-HF	28	103-2172	1	Case Drain Hose ASM
8	322-5	4	Screw-HH	30	23-9740	1	Filter-Oil,Hydraulic
9	322-3	2	Screw-HH	31		1	Charge Hose ASM ●
10	109-0582	1	Hydraulic Tank ASM	31:1	103-2259	1	Head-Filter
10:1		1	Tank-Hydraulic ●	31:2	103-5121	1	Filter Inlet Hose ASM
10:1:1	103-1948	1	Cap-Reservoir, HYD	31:2:1	1-603920	1	O-Ring
10:1:2	103-1949	1	Gasket-Cap	31:3	103-2269	1	Pump Inlet Hose ASM
10:2	1-523552	1	Decal-Tank, HYD	31:3:1	1-603920	1	O-Ring
11	322-4	5	Screw-HH	32	1-805004	2	Washer-Lock
13	103-2155	1	Fitting-90 DEG	33	321-3	2	Screw-HH
13:1	1-603921	1	O-Ring	34	1-643312	1	Clip-Loom
13:2	103-1020	1	O-Ring	35	1-633396	2	Clip-Loom
14	108-5316	1	Fitting-Elbow, 90 DEG	36	103-2148	1	Auxillary Pump Hose ASM
14:1	237-79	1	O-Ring	37	1-323241	1	Hose-Pressure, High
15	3296-29	1	Nut-Lock, NI	38	103-3110	1	Filter-In Line, 50 Micron
16	103-2174	1	Tank Return Hose ASM	39	103-2155	1	Fitting-90 DEG
17	103-2104	1	Clamp-Hose	39:1	1-603921	1	O-Ring
19	1-603991	4	Fitting-Straight	39:2	103-1020	1	O-Ring
19:1	237-80	1	O-Ring	40	103-2489	2	Motor-Wheel, HYD
19:2	1-603992	1	O-Ring	41	32150-1	1	Key-Square
20	103-4680	4	HYD Hose ASM	42	112-1768-03	1	Bracket-Tank Mount, Upper
21	103-1014	2	Fitting-Elbow, 90 DEG	43	112-1778-03	1	Bracket-Tank Mount, Lower
21:1	1-603920	1	O-Ring				

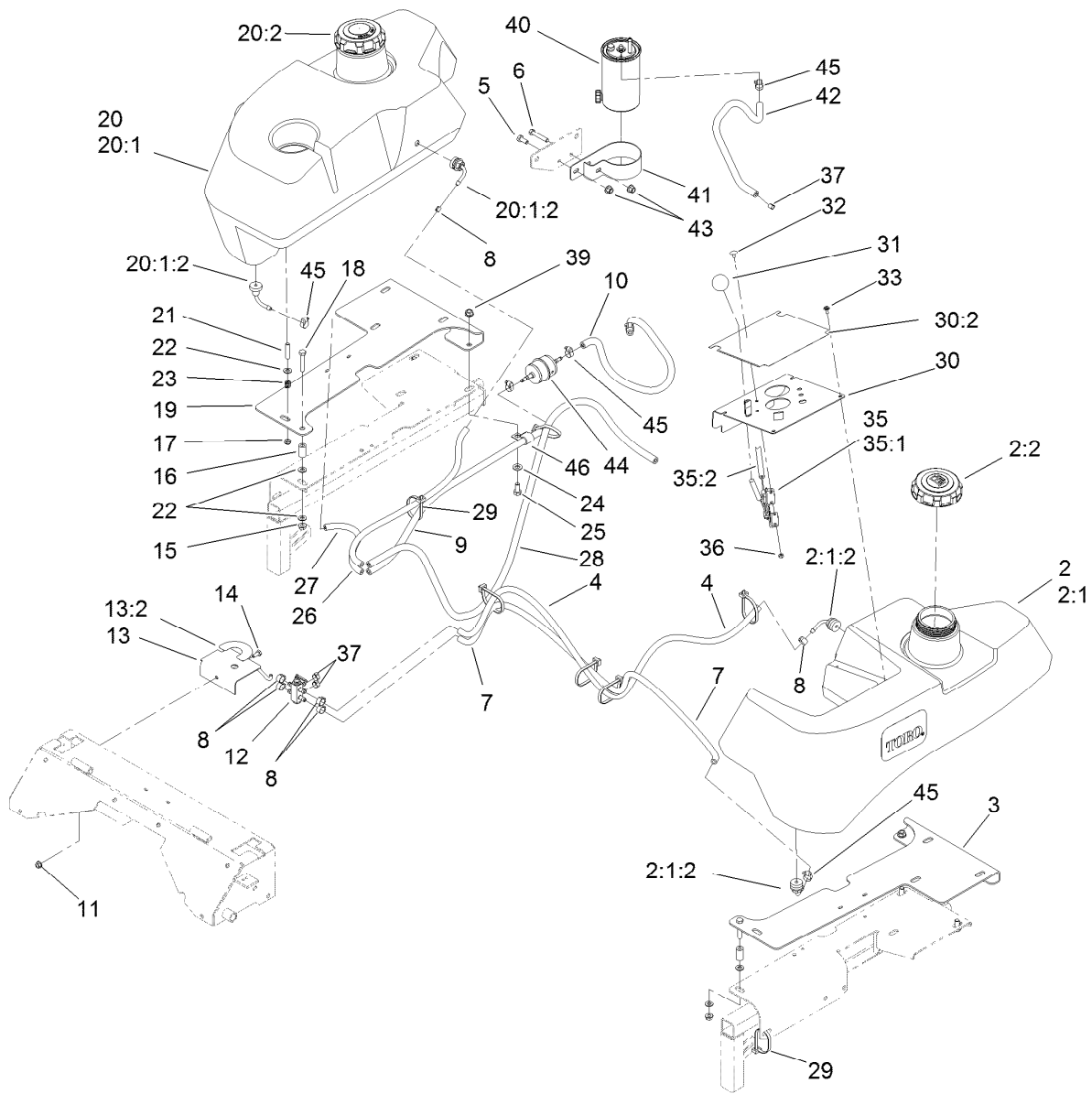
● Not serviced separately



Tank and Fuel Line Assembly

Ref.	Part Number	Qty.	Description	Ref.	Part Number	Qty.	Description
2	115-3556	1	LH Fuel Tank Kit	16	94-7564	2	Spacer
2:1		1	Tank-Fuel, LH ●	17	3296-47	6	Nut-Lock, NI
2:1:2	103-2615	2	Fitting-Fuel, Bulkhead	18	322-9	2	Screw-HH
2:2	114-8214	1	Biodiesel Cap ASM	19	107-7671-03	1	Bracket-Fuel Tank, RH
3	107-7672-03	1	Bracket-Fuel Tank, LH	20	115-3555	1	RH Fuel Tank Kit
4	109-0273	1	Hose-Fuel	20:1		1	Tank-Fuel, RH ●
5	322-3	1	Screw-HH	20:1:2	103-2615	2	Fitting-Fuel, Bulkhead
6	322-9	1	Screw-HH	20:2	114-8214	1	Biodiesel Cap ASM
7	109-0289	1	Hose-Fuel	21	1-633023	6	Stud
8	1-643293	6	Clamp-Hose, Fuel	22	3256-23	10	Washer-Flat
9	114-8206	1	Hose-Fuel	23	1-633349	6	Spring-Tank, Fuel
10	110-4113	1	Hose-Fuel	24	3256-24	4	Washer-Flat
11	32128-33	1	Nut-HF	25	323-4	4	Screw-HH
12	1-643234	1	Valve-Fuel, Dual Flow	26	110-5701	1	Hose-Fuel
13	107-9878	1	Bracket-Valve, Fuel	27	109-0294	1	Hose-Fuel
13:2	107-2114	1	Decal-Valve, Fuel	28	110-4100	1	Hose-Fuel
14	321-3	1	Screw-HH	29	1-303335	7	Tie-Plastic
15	3296-47	2	Nut-Lock, NI	30	117-0918	1	Control Panel ASM

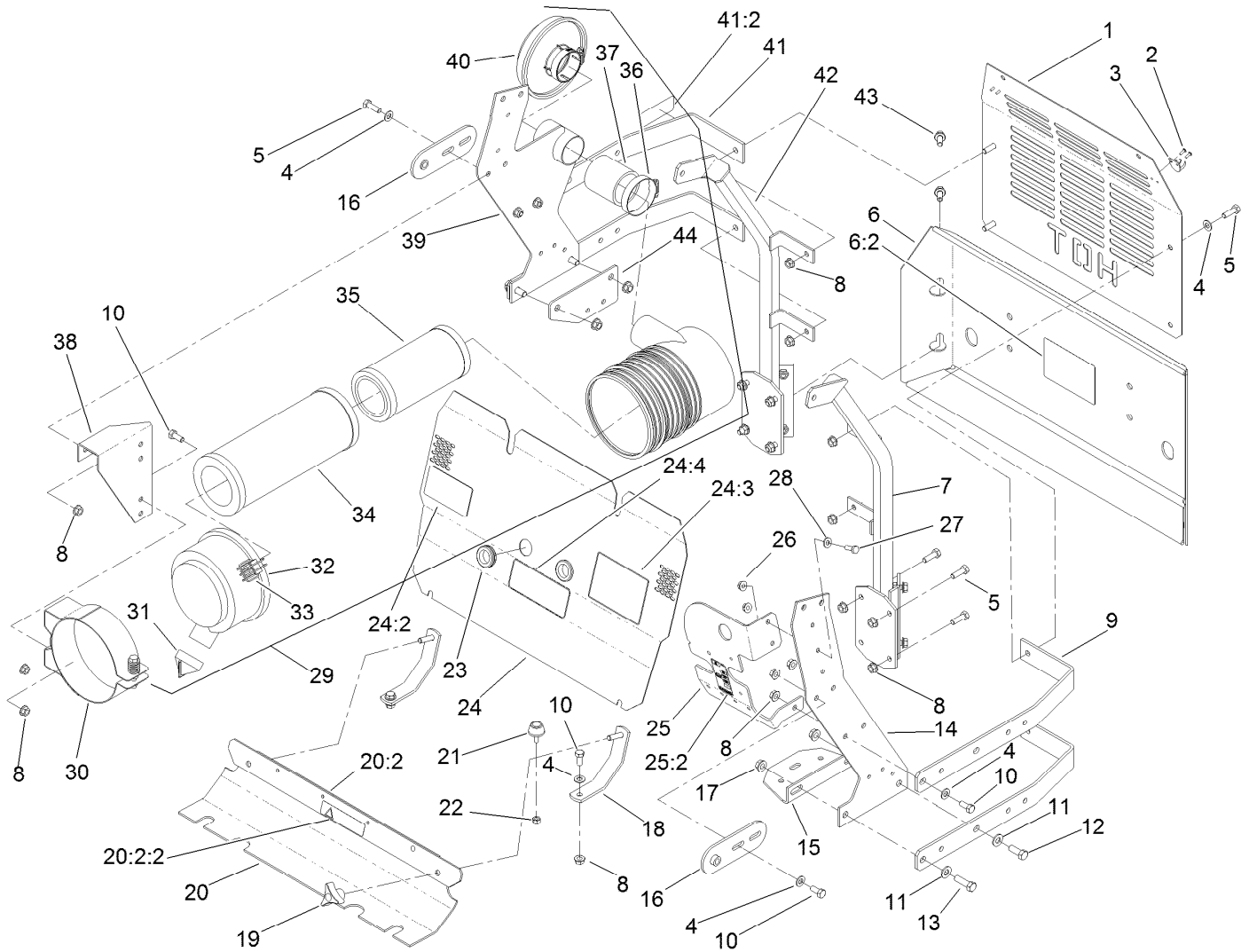
● Not serviced separately



Tank and Fuel Line Assembly (continued)

Ref.	Part Number	Qty.	Description	Ref.	Part Number	Qty.	Description
30:2	121-7563	1	Decal - Panel, Control	39	3290-357	4	Nut-HHF, Whiz
31	1-603175	1	Knob-Ball	40	112-9188	1	Element-Filter, Fuel/Water
32	1-807513	2	Bolt-CARR	41	110-8807	1	Bracket-Filter, Fuel
33	109-2661	4	Screw-PPH	42	114-8207	1	Hose-Fuel
35	110-5729	1	Throttle Control Cable ASM	43	3296-58	2	Nut-Lock, NI
35:1	112-2334	1	Lever-Throttle	44	112-7836	1	Filter-Inline
35:2	110-5730	1	Cable-Throttle	45	2412-108	7	Clamp-Worm
36	3296-2	2	Nut-Lock, NI	46	115-3559	1	Clamp-J
37	1-643277	3	Clamp-Hose, Fuel				

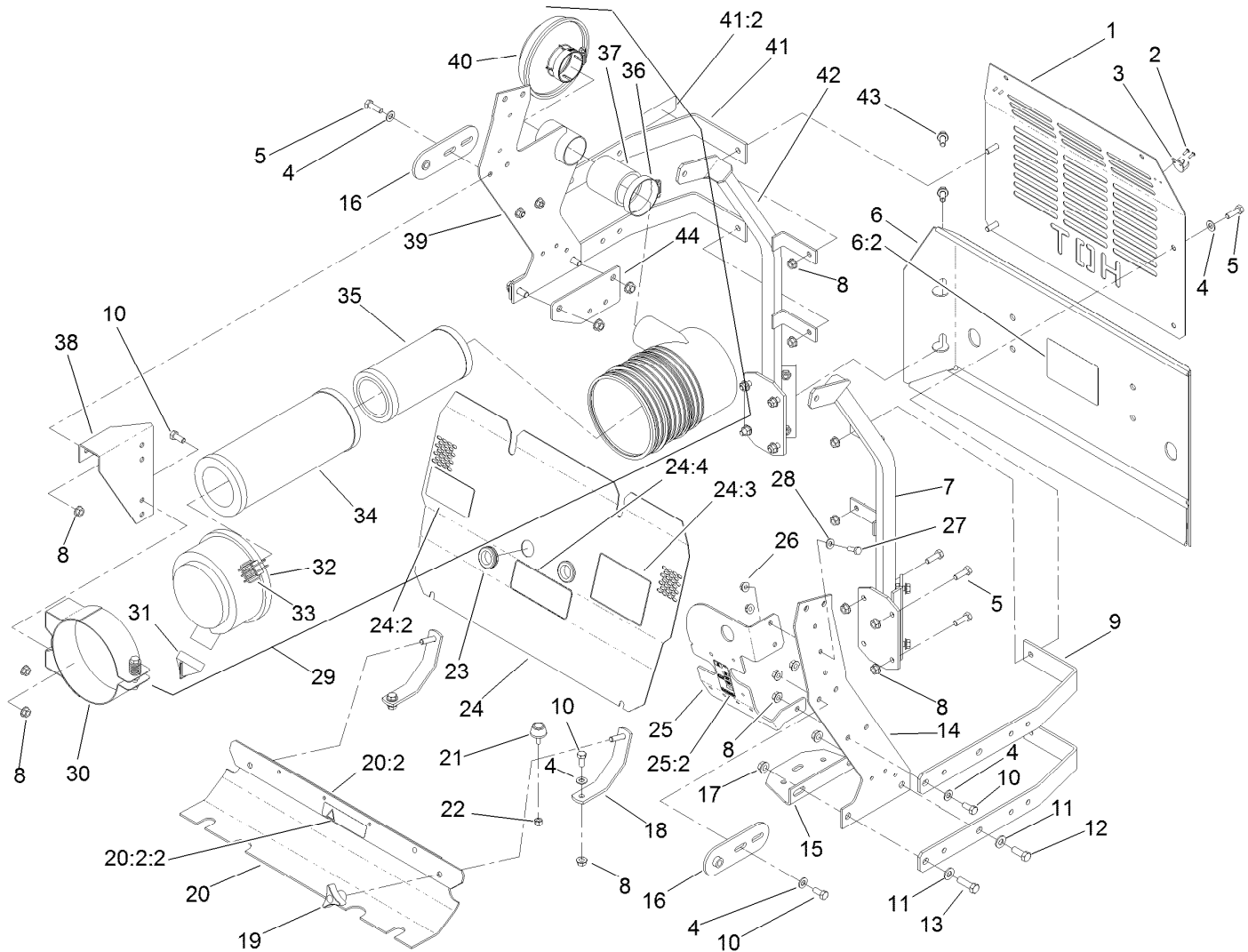
● Not serviced separately



Front and Rear Engine Cover Assembly

Ref.	Part Number	Qty.	Description	Ref.	Part Number	Qty.	Description
1	103-4855-03	1	Guard-Muffler	17	3290-357	4	Nut-HHF, Whiz
2	923786	4	Rivet	18	103-5163-03	2	Mount-Belt Shield, Engine
3	1-643189	2	Keeper-Latch, Rubber	19	1-323385	2	Knob-3 Prong
4	3256-23	13	Washer-Flat	20	107-7709	1	Engine Belt Shield ASM
5	322-5	14	Screw-HH	20:2		1	Strip-Shield, Belt ●
6	107-9865	1	Rear Bumper ASM	20:2:2	98-5954	1	Decal-Cover, Missing
6:2	107-9864	1	Decal-Belt Routing, Deck Drive	21	109-2365	2	Rubber Bumper ASM
7	103-5157-03	1	Frame-Upper, LH Rear	22	3296-42	2	Nut-Lock, NI
8	32128-20	23	Nut-HF	23	100-3815	2	Grommet-Rubber
9	103-4906-03	3	Bar-Mount Frame, Radiator	24	107-7707	1	Engine Access Panel ASM
10	322-3	9	Screw-HH	24:2	107-7705	1	Decal-Belt Routing, Pump
11	3256-24	4	Washer-Flat	24:3	103-3276	1	Decal-Buzzer, Warning
12	323-6	2	Screw-HH	24:4	103-5881	1	Decal-Devices, Rotating
13	323-7	2	Screw-HH	25	117-3862	1	Fuse/Relay Bracket ASM
14	103-5169-03	1	Mount-Side, LH	25:2	117-7818	1	Decal-Fuse
15	103-2603-03	1	Bracket-Bottle	26	32128-33	2	Nut-HF
16	1-632986-03	2	Shackle-Hinge	27	321-4	2	Screw-HH
				28	3256-22	2	Washer-Flat

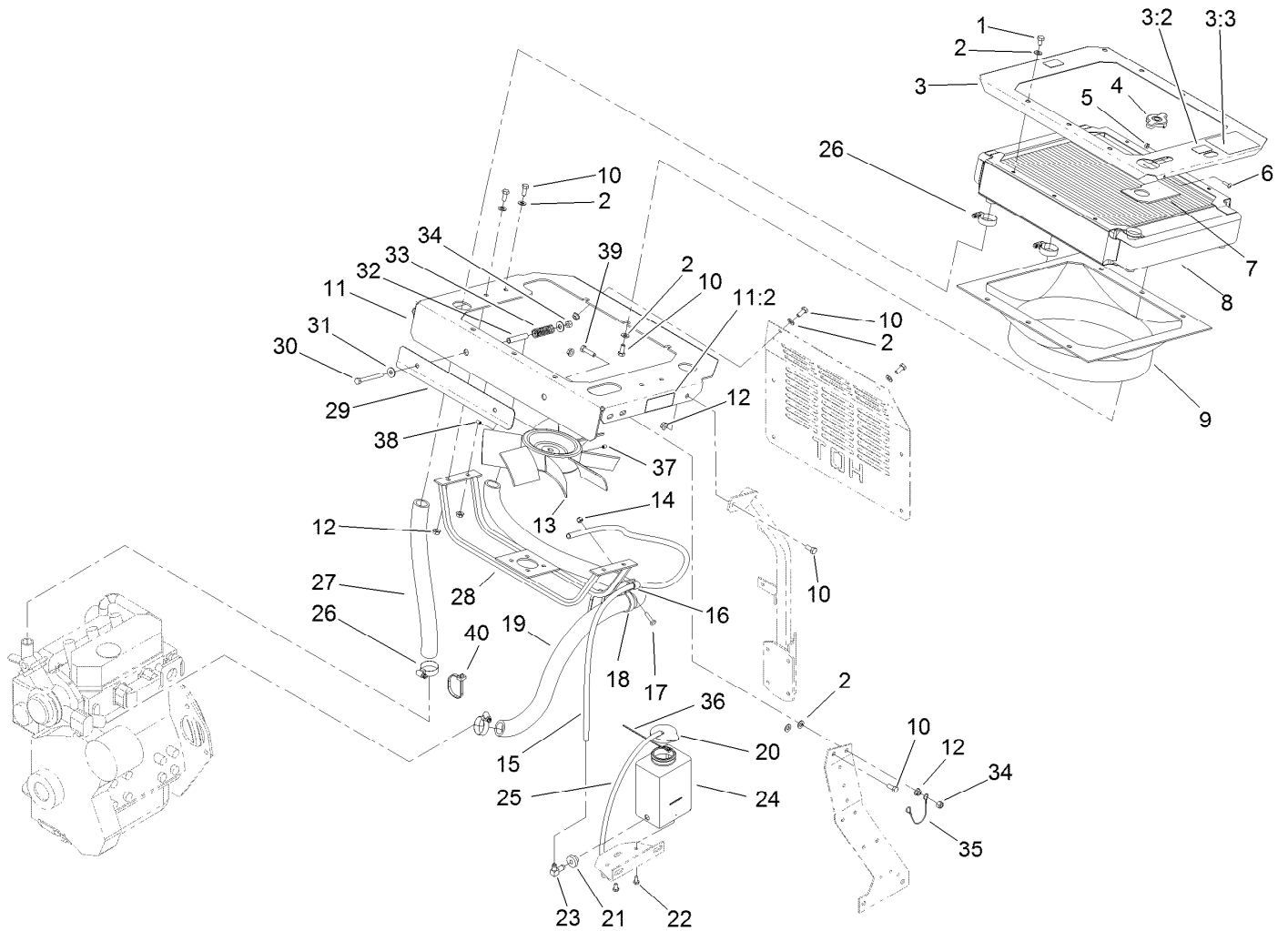
● Not serviced separately



Front and Rear Engine Cover Assembly (continued)

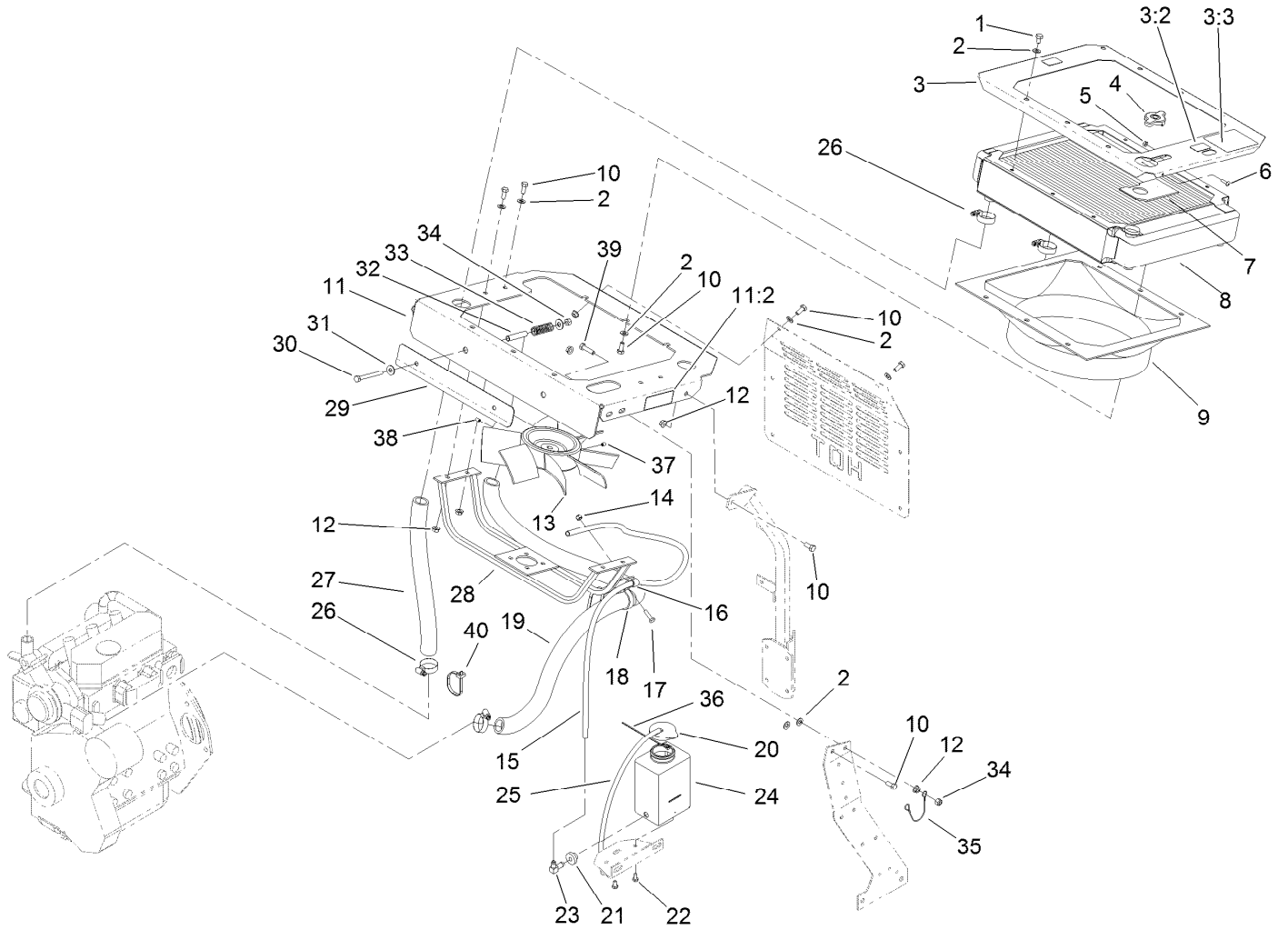
<i>Ref.</i>	<i>Part Number</i>	<i>Qty.</i>	<i>Description</i>	<i>Ref.</i>	<i>Part Number</i>	<i>Qty.</i>	<i>Description</i>
29	103-5178	1	Filter-Air	38	103-0953-03	1	Mount-Cleaner, Air
30	103-1058	1	Bracket-Filter, Air	39	103-5123-03	1	RH Radiator And Ac Support ASM
31	99-3175	1	Valve-Ejector, Dust	40	100-2436	1	Hood
32	103-1060	1	Cover-Filter, Air	41	107-7715	1	Bar-Radiator
33	1-643283	2	Latch-Cleaner, Air	41:2	65-2690	1	Decal-Surface, Hot
34	103-1327	1	Filter-Air	42	103-5158-03	1	Frame-Upper, RH Rear
35	103-1326	1	Filter-Air, Safety	43	3234-47	4	Screw-HHF
36	2412-42	1	Clamp-Hose	44	114-8205-03	1	Plate-Fuel Filter Mount
37	103-5198	1	Hose-Intake				

● Not serviced separately



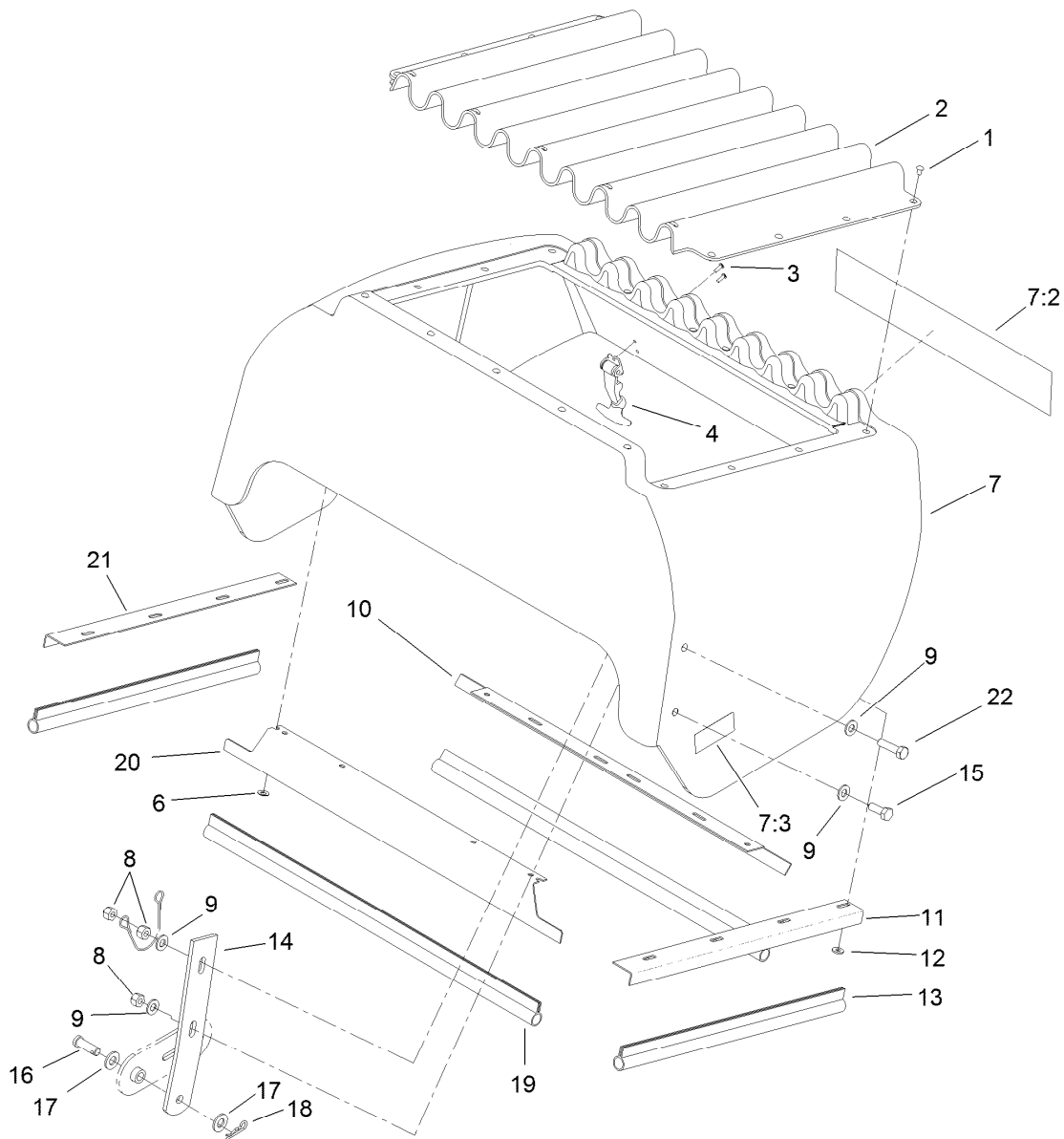
Cooling System Assembly

Ref.	Part Number	Qty.	Description	Ref.	Part Number	Qty.	Description
1	322-1	6	Screw-HH	19	103-0922	1	Hose-Inlet, Engine
2	3256-23	22	Washer-Flat	20	1-643164	1	Cap-Tank, Overflow
3	107-7658	1	Plate-Trim, Radiator	21	1-513645	1	Bushing-Valve, Fuel
3:2	65-2690	2	Decal-Surface, Hot	22	321-2	2	Screw-HH
3:3	104-2449	1	Decal-Coolant	23	1-643259	1	Fitting-Elbow
4	1-643161	1	Cap-Radiator	24	1-643163	1	Tank-Overflow
5	3296-2	1	Nut-Lock, NI	25	109-2669	1	Hose
6	1-803075	1	Screw-Head, Truss	26	1-633989	4	Clamp-Hose
7	103-1352	1	Shield-Fill Neck, Radiator	27	103-2505	1	Hose-Outlet, Engine
8	107-9889	1	Radiator	28	103-0086-03	1	Mount-Motor, Fan
9	103-0898	1	Shroud-Cooling, Engine	29	103-4986	1	Bracket-Deflector, Air
10	322-3	16	Screw-HH	30	322-14	2	Screw-HH
11	107-7717	1	Fan Mounting Plate ASM	31	3256-3	4	Washer-Flat
11:2	1-643253	2	Decal-Fan, Radiator	32	103-5223	2	Spacer
12	32128-20	10	Nut-HF	33	1-513296	2	Spring-Indicator, Reverse
13	103-0892	1	Fan	34	3296-29	4	Nut-Lock, NI
14	3296-42	1	Nut-Lock, NI	35	107-9853	2	Lanyard
15	109-2670	1	Hose	36	1-303287	3	Tie-Cable
16	1-513762	1	Clip-Loom	37	3245-44	1	Screw-Set
17	321-6	1	Screw-HH	38	909848	1	Screw-Set
18	103-0113	1	Clip-Loom				



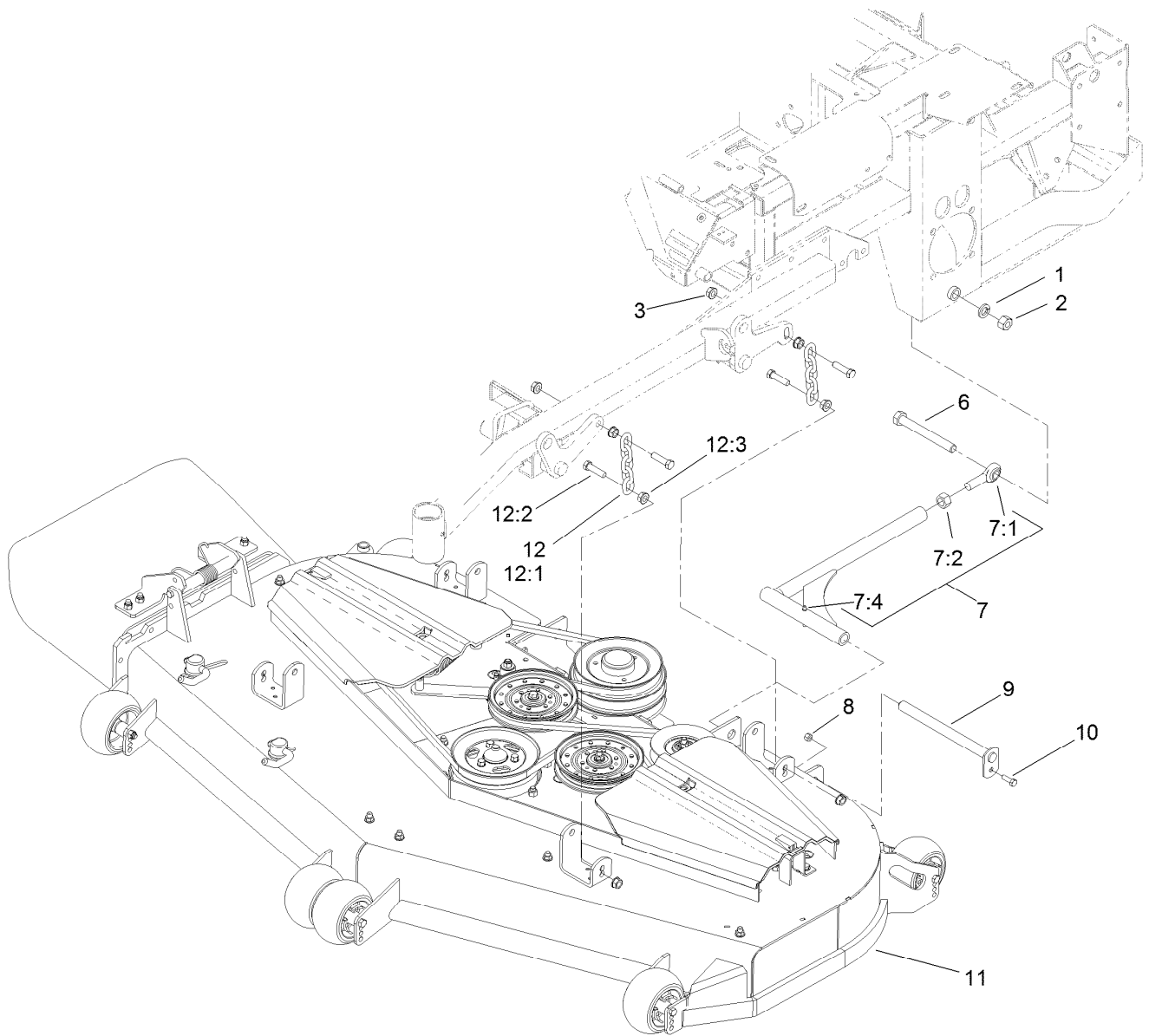
Cooling System Assembly (continued)

Ref.	Part Number	Qty.	Description
39	322-6	2	Screw-HH
40	1-303335	2	Tie-Plastic



Hood Assembly

<i>Ref.</i>	<i>Part Number</i>	<i>Qty.</i>	<i>Description</i>	<i>Ref.</i>	<i>Part Number</i>	<i>Qty.</i>	<i>Description</i>
1	1-803072	17	Rivet	12	3256-14	12	Washer-Flat
2	1-633864-03	1	Screen-Radiator	13	1-643186	2	Seal-Trim
3	923786	4	Rivet	14	1-633885-03	2	Plate-Hinge, Hood
4	1-643188	2	Latch-Rubber	15	322-4	2	Screw-HH
6	1-303435	5	Washer-Spring	16	1-808285	2	Pin-Clevis
7	115-3560	1	Hood ASM	17	3256-24	4	Washer-Flat
7:2	121-7558	1	Decal	18	1-806003	2	Pin-Cotter, Hair
7:3	114-9600	2	Decal-Low Sulfur	19	1-643187	2	Seal-Trim
8	3296-29	6	Nut-Lock, NI	20	1-643107-03	1	Angle-Radiator, Top
9	3256-23	8	Washer-Flat	21	1-643106-03	1	Angle-Radiator, RH
10	1-643108-03	1	Angle-Radiator, Bottom	22	322-6	2	Screw-HH
11	1-643105-03	1	Angle-Radiator, LH				

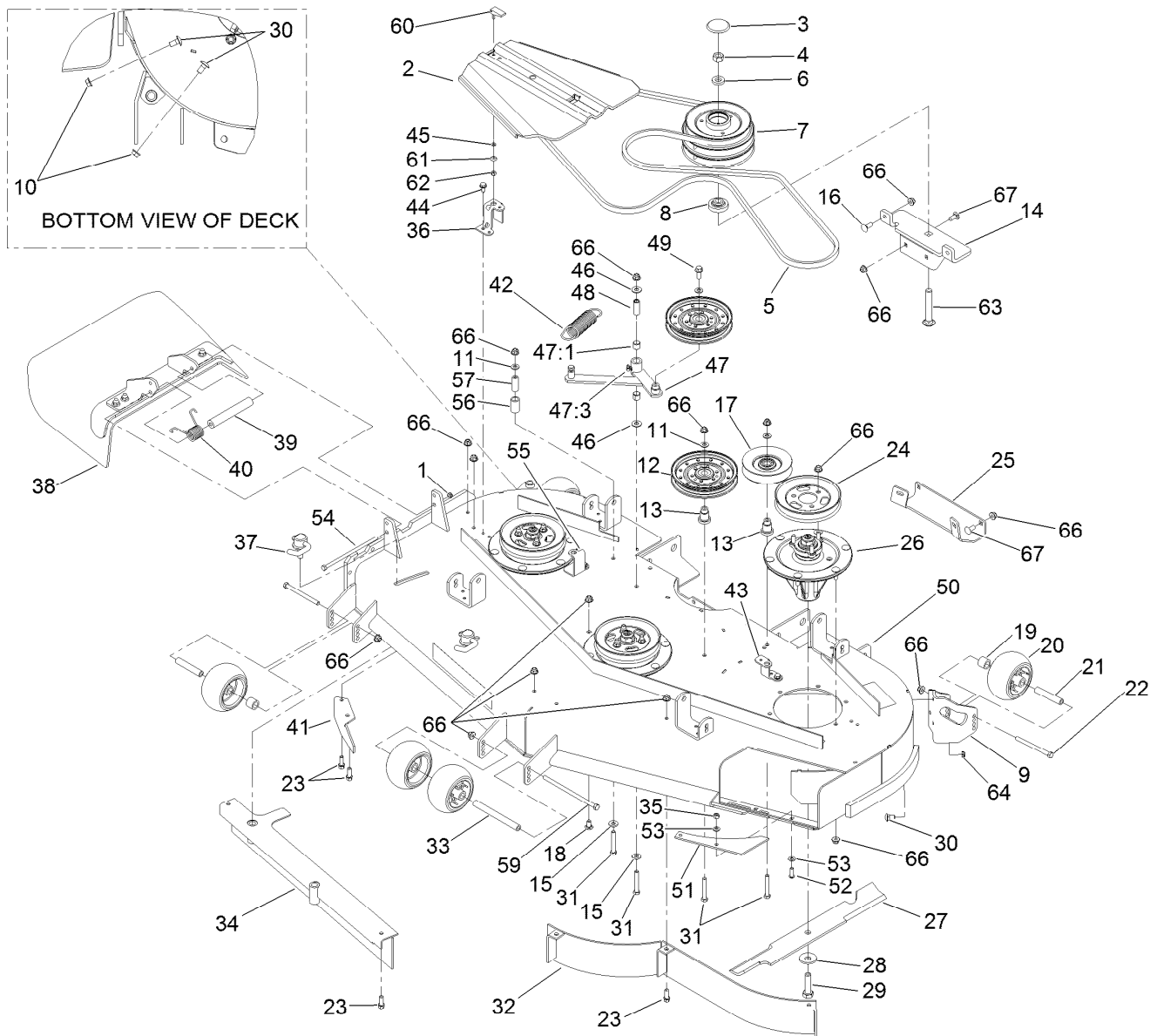


Deck Connection Assembly

Ref.	Part Number	Qty.	Description
1	3253-8	2	Washer-Lock
2	3217-11	2	Nut-Hex
3	32128-37	8	Nut-HF
6	327-28	2	Screw-HH
7	103-1356	2	Strut ASM
7:1	1-633029	1	Balljoint-Spherical
7:2	3219-6	1	Nut-Hex
7:4	109-1380	2	Fitting-Grease

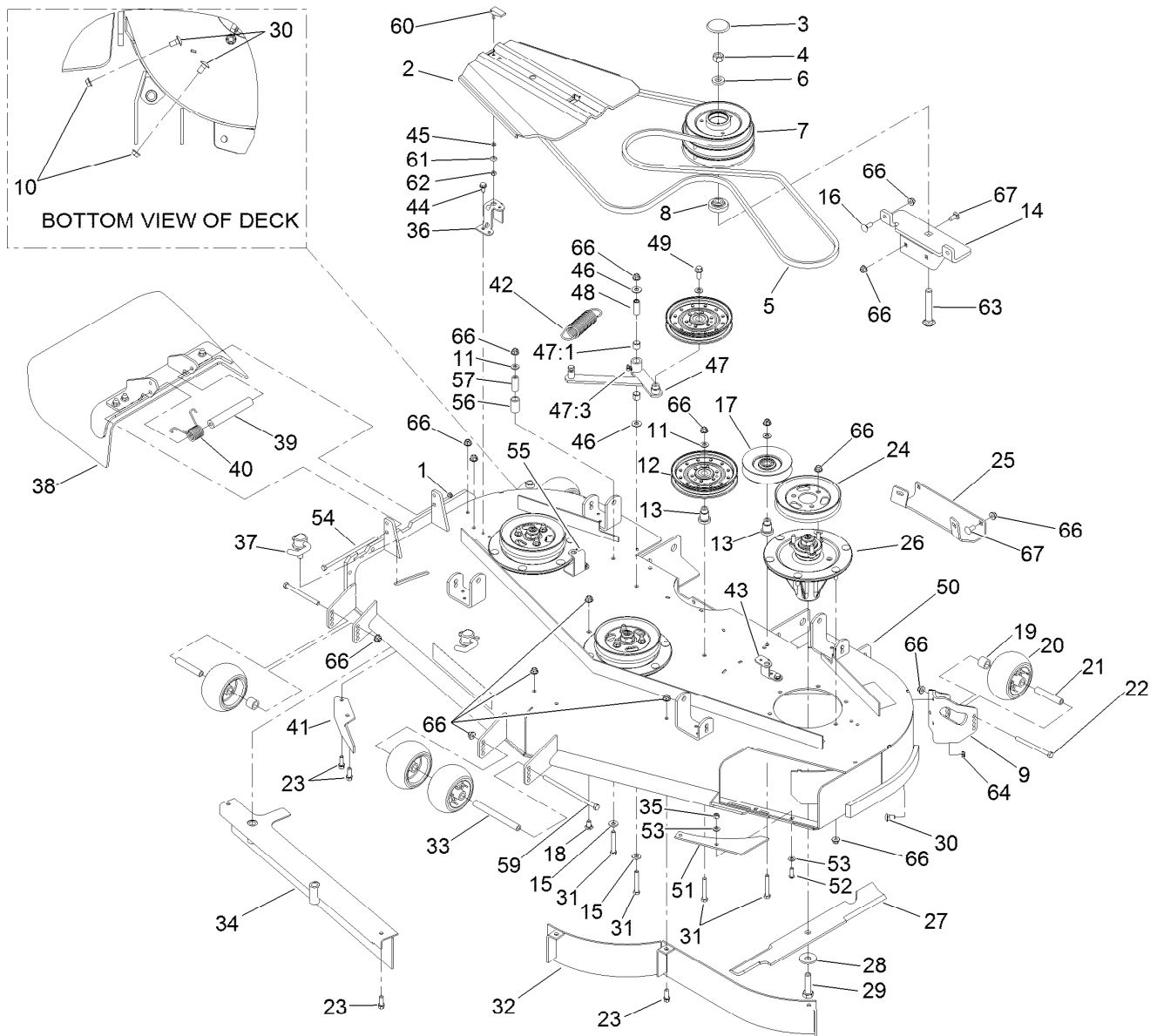
Ref.	Part Number	Qty.	Description
8	3296-29	2	Nut-Lock, NI
9	1-632199-01	2	Pin-Strut
10	322-3	2	Screw-HH
11		1	Deck ASM ●
12	103-9792	4	Deck Chain ASM
12:1	1-633447	1	Chain-Lift, Deck
12:2	103-1898	2	Screw-HH
12:3	32128-37	2	Nut-HF

● Not serviced separately



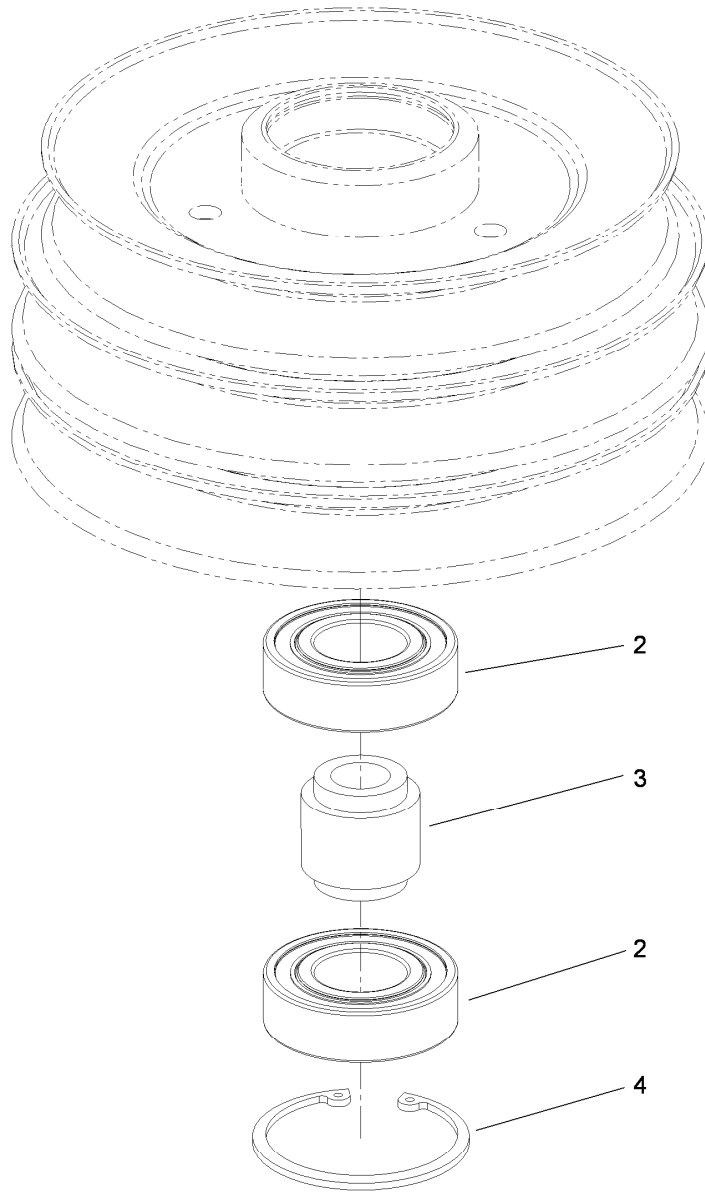
Deck Assembly

Ref.	Part Number	Qty.	Description	Ref.	Part Number	Qty.	Description
1	3296-47	1	Nut-Lock, NI	22	323-23	4	Screw-HH
2	112-8664	2	Cover-Belt	23	92-1624	6	Screw-HWH
3	112-8049	1	Cap-Plastic	24	105-7735	3	Pulley
4	3217-11	1	Nut-Hex	25	105-8792-01	1	Plate-Skid
5	107-7667	1	Belt-V	26	119-8560	3	Spindle ASM
6	105-0842	1	Spacer	27	105-7718-03	3	Blade-Hi Flow
7	114-0210	1	Pulley And Bearing ASM	28	103-0865	3	Washer-Blade Bolt, Heavy
8	112-8048	1	Spacer-Flanged	29	51-4060	3	Screw-Blade
9	106-7354-01	1	Mount-Wheel, LH	30	3231-1	7	Screw-CARR
10	3290-357	4	Nut-HHF, Whiz	31	323-12	4	Screw-HH
11	3256-24	4	Washer-Flat	32	105-7657-01	1	Baffle ASM
12	116-4667	2	Idler-Pulley, Flat	33	98-5967	1	Spacer-Wheel
13	106-3214	2	Mount-Pulley	34	105-7669-01	1	Baffle ASM
14	110-5893-01	1	Mounting Bracket ASM	35	3296-29	2	Nut-Lock, NI
15	98-5975	2	Washer-Belleville	36	119-4220-01	2	Bracket-Cover
16	3231-2	2	Screw-CARR	37	107-1664	2	Lever ASM
17	1-603805	1	Pulley-Idler	38	108-2792	1	Rubber Deflector ASM
18	3231-21	1	Screw-CARR	39	105-4622	1	Spacer
19	98-7913	4	Tube-Spacer	40	108-4052	1	Spring-Torsion
20	1-603299	6	Roller-Scalp, Anti	41	106-3216-01	1	Baffle-Discharge
21	98-7912	4	Tube-Spanner	42	105-6992	1	Spring-Extension



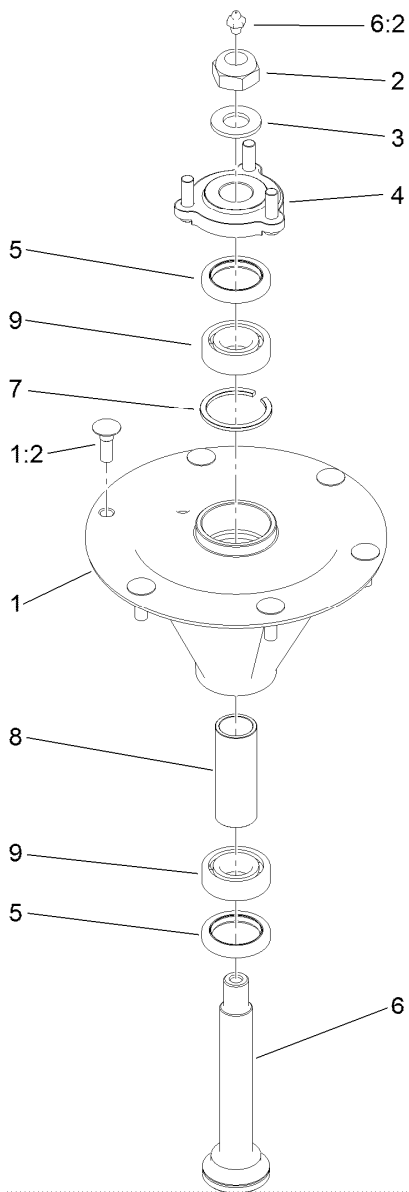
Deck Assembly (continued)

Ref.	Part Number	Qty.	Description	Ref.	Part Number	Qty.	Description
43	108-2177-01	1	Bracket-Cover, Tall	54	322-50	1	Screw-HH
44	32144-70	4	Screw-HWHTF	55	119-4221-01	1	Bracket-Cover
45	99-3058	2	Washer	56	112-8051	1	Spacer-Rubber
46	3256-4	2	Washer-Flat	57	80-7710	1	Spacer-Pivot, Idler
47	107-9868	1	Idler Arm ASM	59	108-5388	1	Screw-HH
47:1	103-4681	2	Sleeve-Bearing	60	106-6777	2	Handle-Latch, Swell
47:3	302-40	1	Fitting-Grease	61	106-6778	2	Bushing-Latch, Swell
48	1-603044	1	Bushing	62	1-804254	2	Nut-Lock, HH
49	3234-11	1	Screw-HHF	63	112-8046	1	Bolt-Carriage
50	117-3857	1	Deck Decal ASM	64	3296-59	3	Nut-Lock, NI
51	107-3137	1	Plate-Turbo	66	104-8301	51	Nut-Flange, NI
52	3274-104	2	Screw-HSBH	67	3231-27	6	Screw-CARR
53	1-303334	4	Washer-Spring				



Pulley and Bearing Assembly No. 114-0210

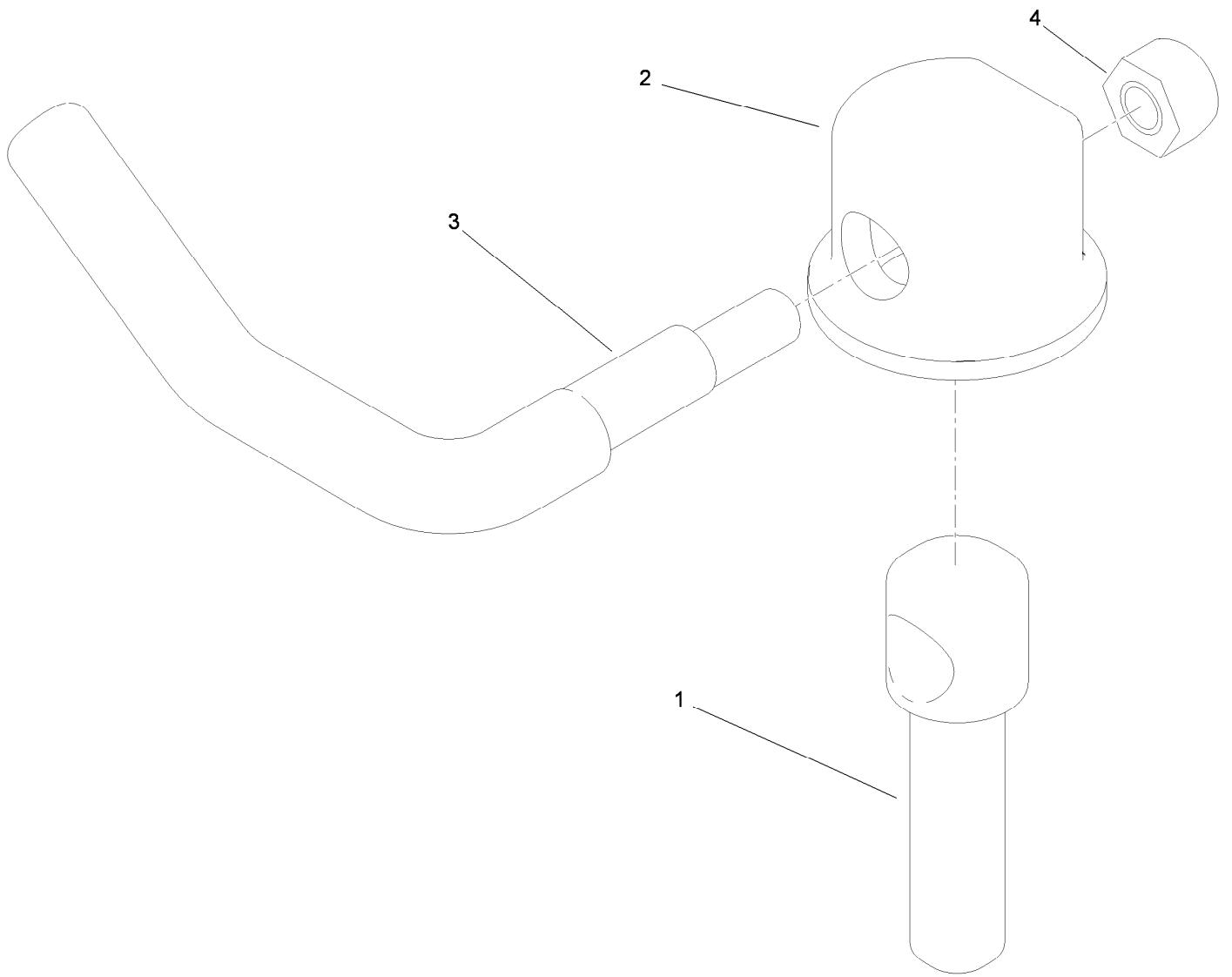
<i>Ref.</i>	<i>Part Number</i>	<i>Qty.</i>	<i>Description</i>
2	116-0720	2	Bearing-Ball
3	112-8047	1	Spacer-Bearing
4	32120-8	1	Ring-Snap



Spindle Assembly No. 119-8560

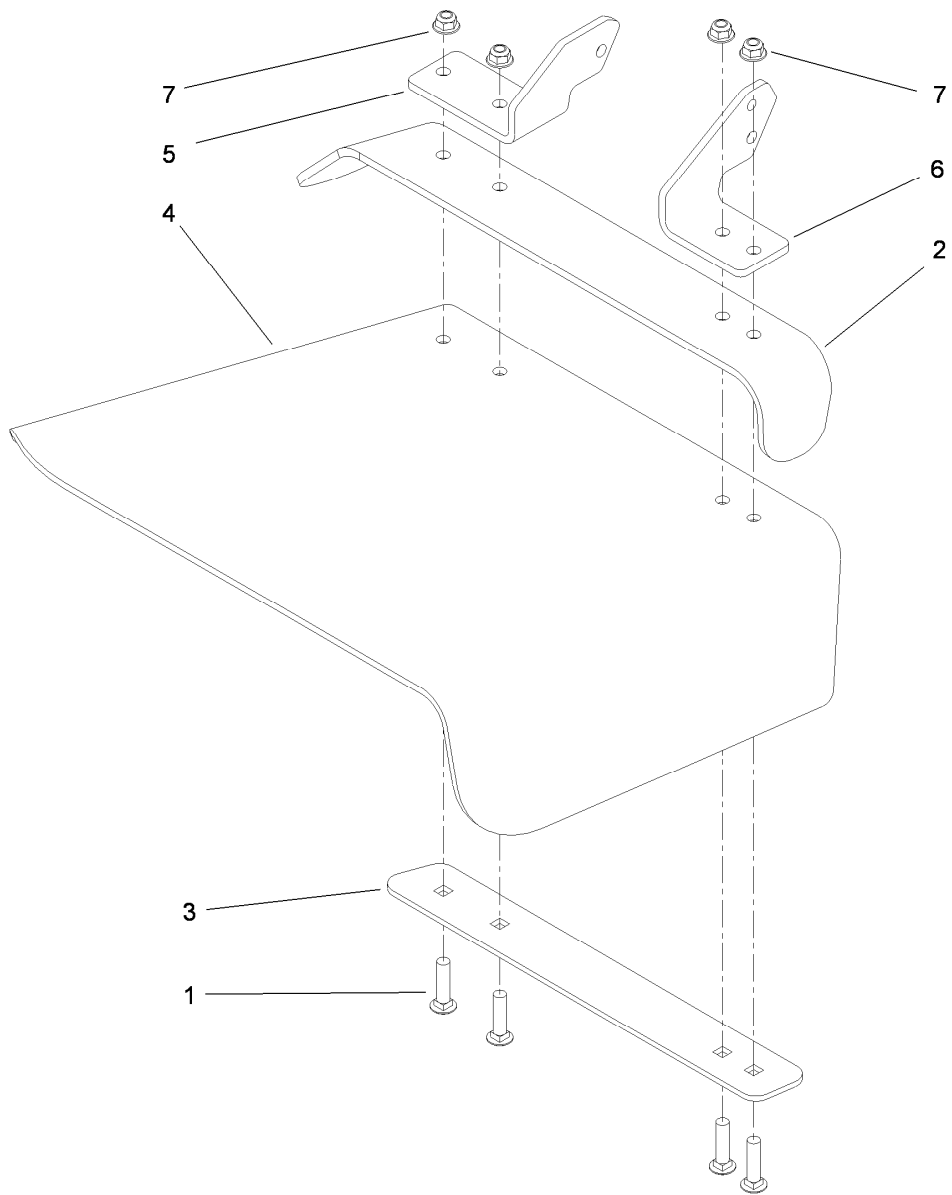
<i>Ref.</i>	<i>Part Number</i>	<i>Qty.</i>	<i>Description</i>
1		1	Spindle Housing And Studs ASM ●
1:2	114-8195	6	Bolt-Ribbed Neck
2	3296-67	1	Nut-Lock, NI
3	92-5836	1	Washer
4	117-6172	1	Spindle Hub ASM
5	253-133	2	Seal-Oil
6	119-8527	1	Spindle Shaft And Zerk ASM
6:2	302-2	1	Fitting-Grease
7	119-8532	1	Snap Ring
8	117-6184	1	Spacer
9	119-8558	2	Bearing-Noseal

● Not serviced separately



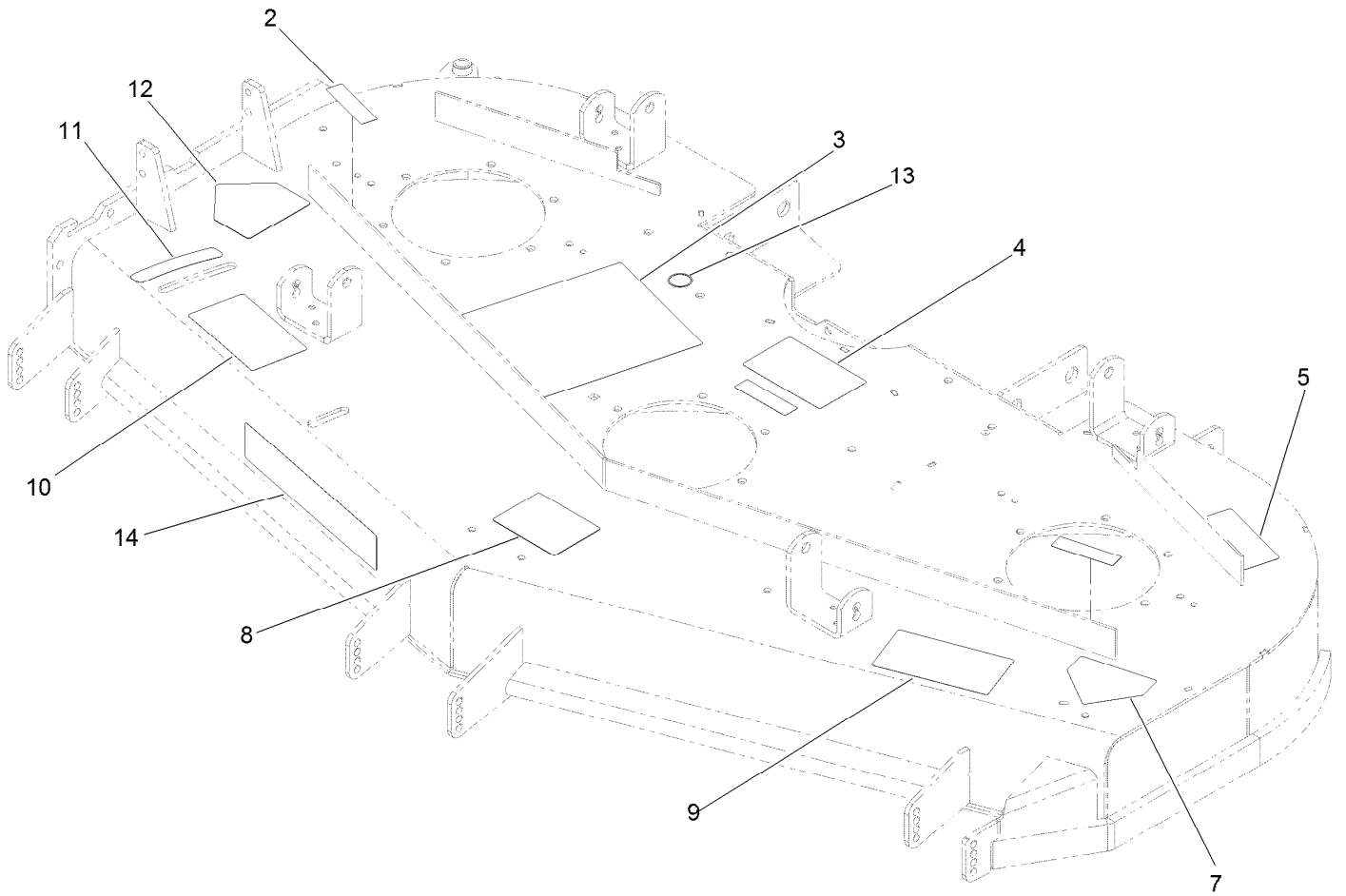
Lever Assembly No. 107-1664

<i>Ref.</i>	<i>Part Number</i>	<i>Qty.</i>	<i>Description</i>
1	106-3239	1	Screw-Lock
2	107-1644	1	Cap-Lock
3	106-3241	1	Lever-Lock
4	3296-29	1	Nut-Lock, NI



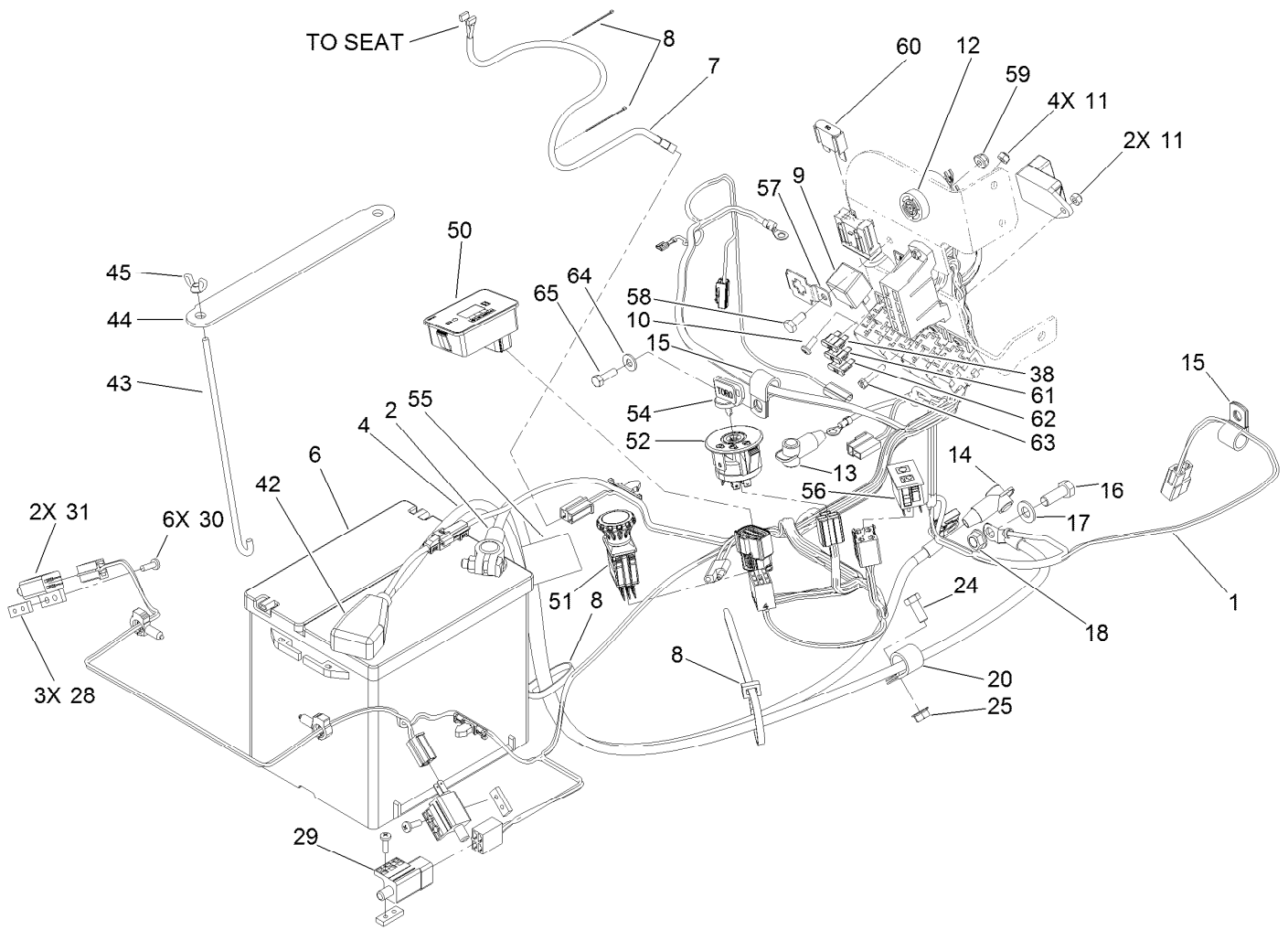
Rubber Deflector Assembly No. 108-2792

<i>Ref.</i>	<i>Part Number</i>	<i>Qty.</i>	<i>Description</i>
1	3231-4	4	Screw-CARR
2	106-3246-01	1	Deflector
3	106-3248-03	1	Strap-Discharge
4	108-5029	1	Deflector-Rubber
5	108-4059-01	1	Plate-Hinge, Rear
6	106-3253-01	1	Plate-Hinge, Front
7	104-8301	4	Nut-Flange, NI



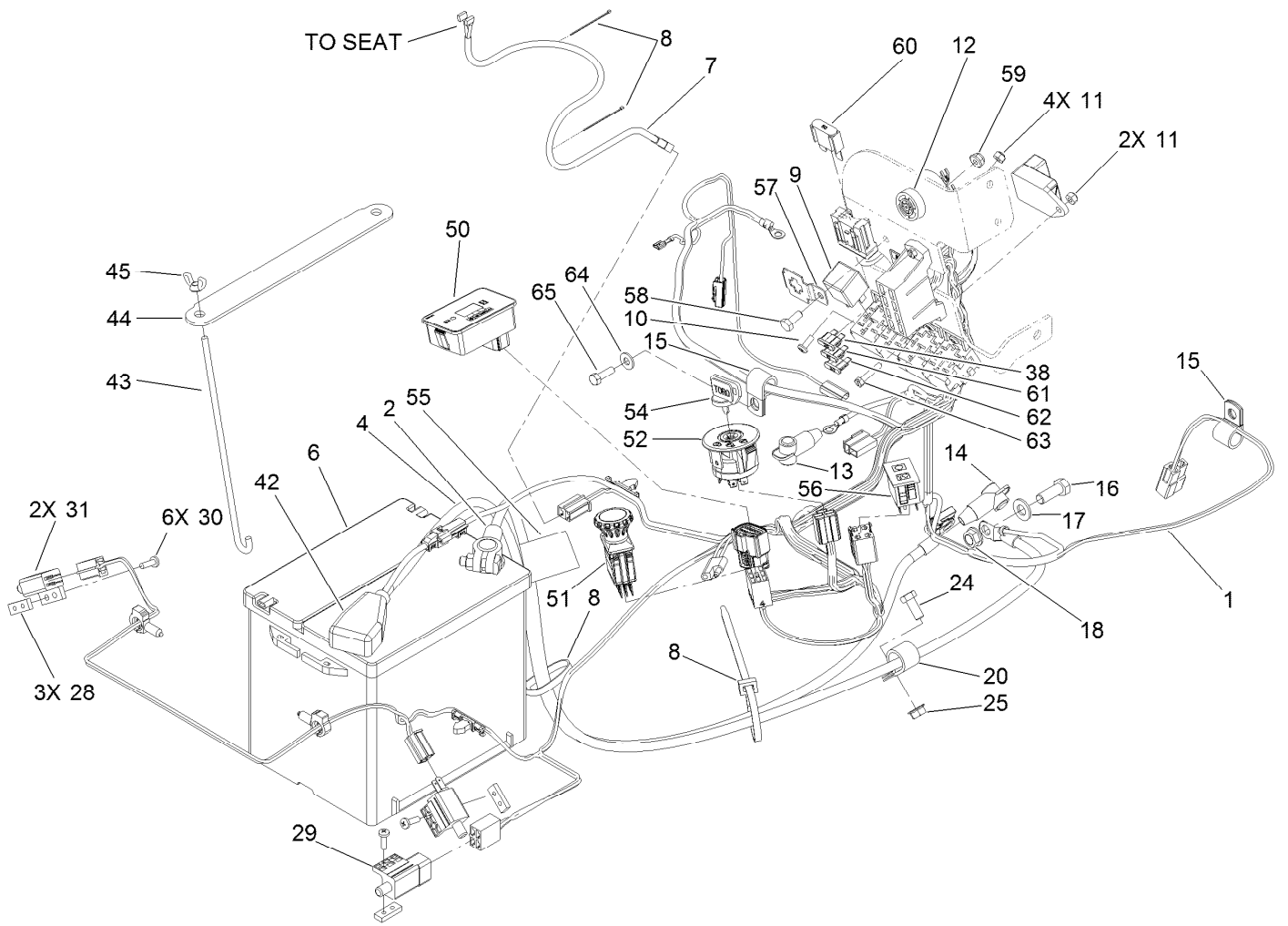
Deck Decal Assembly No. 117-3857

<i>Ref.</i>	<i>Part Number</i>	<i>Qty.</i>	<i>Description</i>
2	98-5954	3	Decal-Cover, Missing
3	107-9863	1	Decal-Check, Service
4	107-7673	1	Decal-Routing, Belt
5	68-8340	1	Decal-Torque
7	1-403005	1	Decal-Danger
8	105-7798	1	Decal-Scalp, Anti
9	66-1340	1	Decal-Danger, Thrown Object
10	110-2068	1	Decal-Adjustment, Baffle
11	110-2067	1	Decal-Setting, Baffle
12	54-9220	1	Decal-Danger
13	58-6520	1	Decal-Grease
14	107-1619	1	Decal



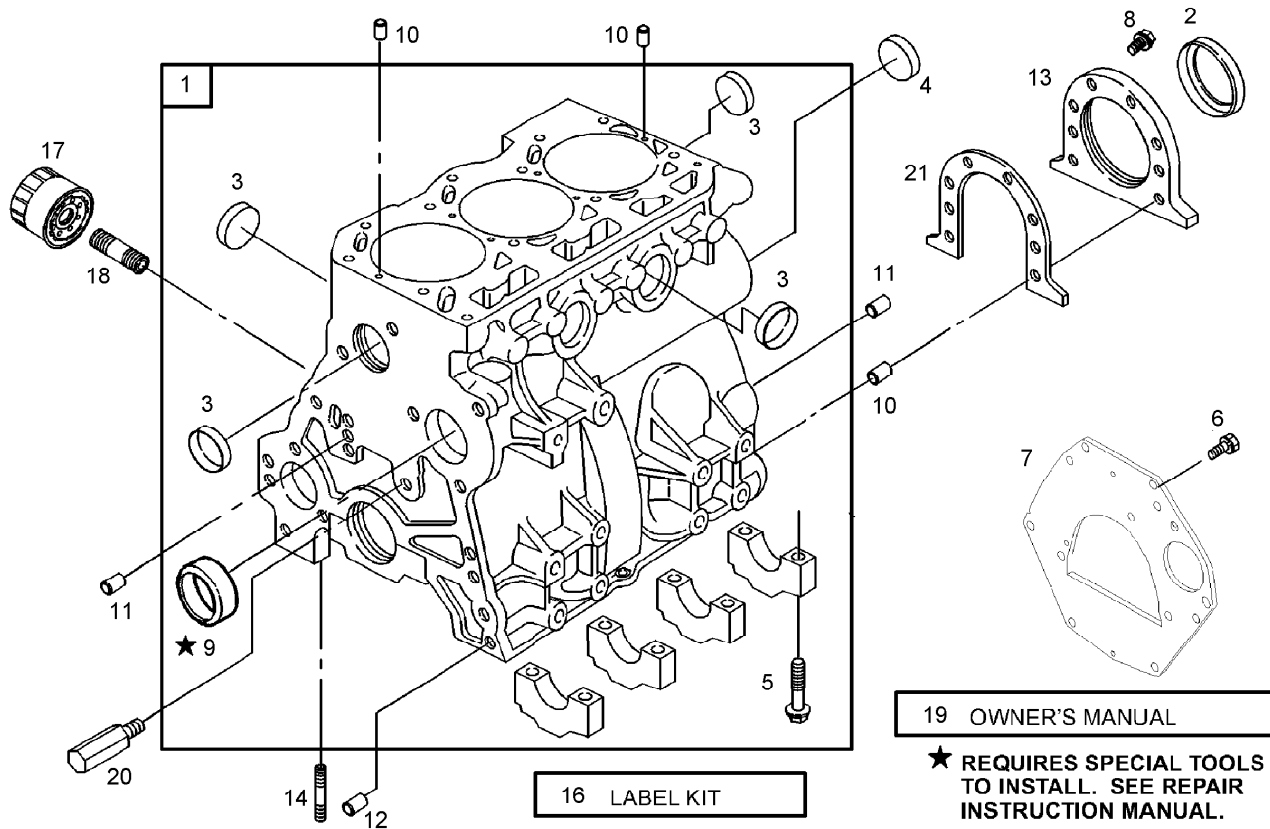
Electrical Assembly

Ref.	Part Number	Qty.	Description	Ref.	Part Number	Qty.	Description
1	117-3817	1	Harness-Electrical	30	3290-500	6	Screw-PPH
2	117-3851	1	Cable-Battery, Negative	31	1-513051	2	Switch-Open, Normally
4	103-1160	1	Cable-Starter	38	1-816001	1	Fuse-Blade Type, 20 Amp
6	106-5187	1	Battery	42	103-1340	1	Insulator-Terminal, Battery
7	103-1227	1	Harness-Wiring, Seat	43	103-1312	2	Bolt-Holddown
8	1-303335	4	Tie-Plastic	44	103-1311-03	1	Holddown-Battery
9	1-643275	4	Relay	45	1-543792	2	Wingnut
10	1-803071	4	Screw	50	117-3884	1	Module ASM
11	3296-2	6	Nut-Lock, NI	51	116-0124	1	Switch-PTO, 10A
12	103-0205	1	Alarm-Tone, Dual	52	117-2221	1	Switch-Ignition
13	1-643178	1	Cap-Insulator, Red	54	63-8360	2	Key-Ignition
14	103-1420	1	Insulator-Starter	55	107-9309	1	Decal-Instructions, Charging
15	1-603727	2	Clip-Loom	56	100-8071	1	Lamp-Warning
16	323-6	1	Screw-HH	57	114-5502	1	Clip-Fuse
17	3256-24	1	Washer-Flat	58	321-3	1	Screw-HH
18	3290-357	1	Nut-HHF, Whiz	59	104-7201	1	Nut-HF
20	1-633396	1	Clip-Loom	60	94-8002	1	Fuse-Blade, 50 Amp
24	322-3	1	Screw-HH	61	218-578	1	Fuse-Blade, 10 Amp
25	32128-20	1	Nut-HF	62	109103	1	Fuse-Blade, 30 Amp
28	1-633181	3	Plate-Tapped	63	32105-12	2	Screw
29	1-633111	1	Switch				



Electrical Assembly (continued)

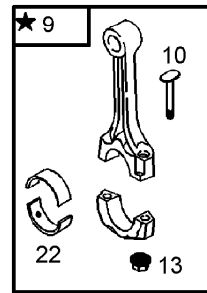
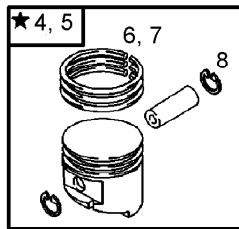
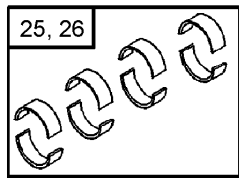
<i>Ref.</i>	<i>Part Number</i>	<i>Qty.</i>	<i>Description</i>
64	3256-22	1	Washer-Flat
65	33113-020	1	Screw-HH



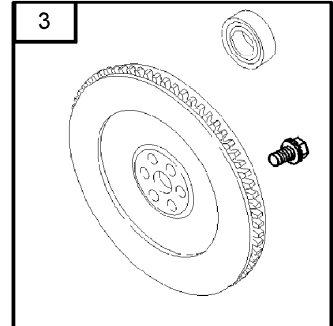
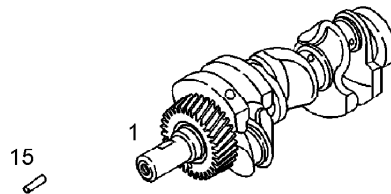
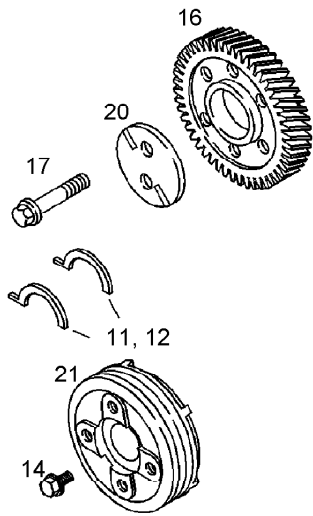
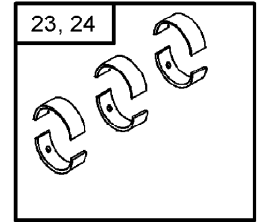
Assemblies include all parts shown in frames.

Cylinder Assembly

Ref.	Part Number	Qty.	Description
1	107-9891	1	Cylinder ASM
2	99-9003	1	Seal-Oil
3	99-9008	1	Plug-Welch
4	107-9892	1	Plug-Welch (Cam)
5	99-9006	1	Screw-Hex
6	99-9005	1	Screw-Hex
7	107-9893	1	Plate-End, Rear
8	99-9004	1	Screw-Hex
9	99-9002	1	Bushing
10	99-9012	1	Pin-Locating
11	99-9013	1	Pin-Locating
12	99-9014	1	Pin-Locating
13	99-9022	1	Retainer-Seal
14	99-9007	1	Stud-Metric
16	107-9894	1	Kit-Label
17	99-9017	1	Filter-Oil
18	105-9337	1	Adapter-Filter, Oil
19	103-1384	1	Manual-Engine
20	99-9020	1	Nozzle-Oil
21	99-9021	1	Gasket-Retainer



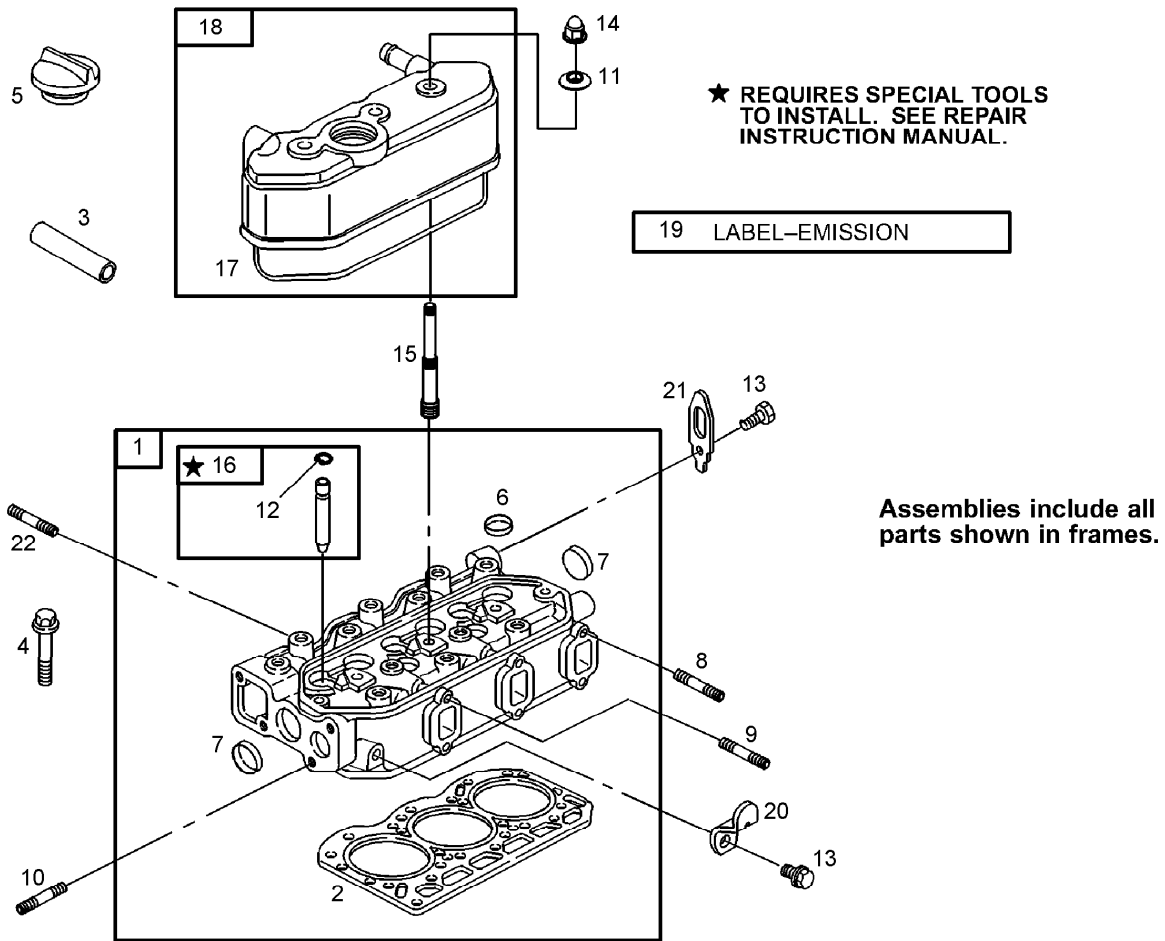
★ REQUIRES SPECIAL TOOLS TO INSTALL. SEE REPAIR INSTRUCTION MANUAL.



Assemblies include all parts shown in frames.

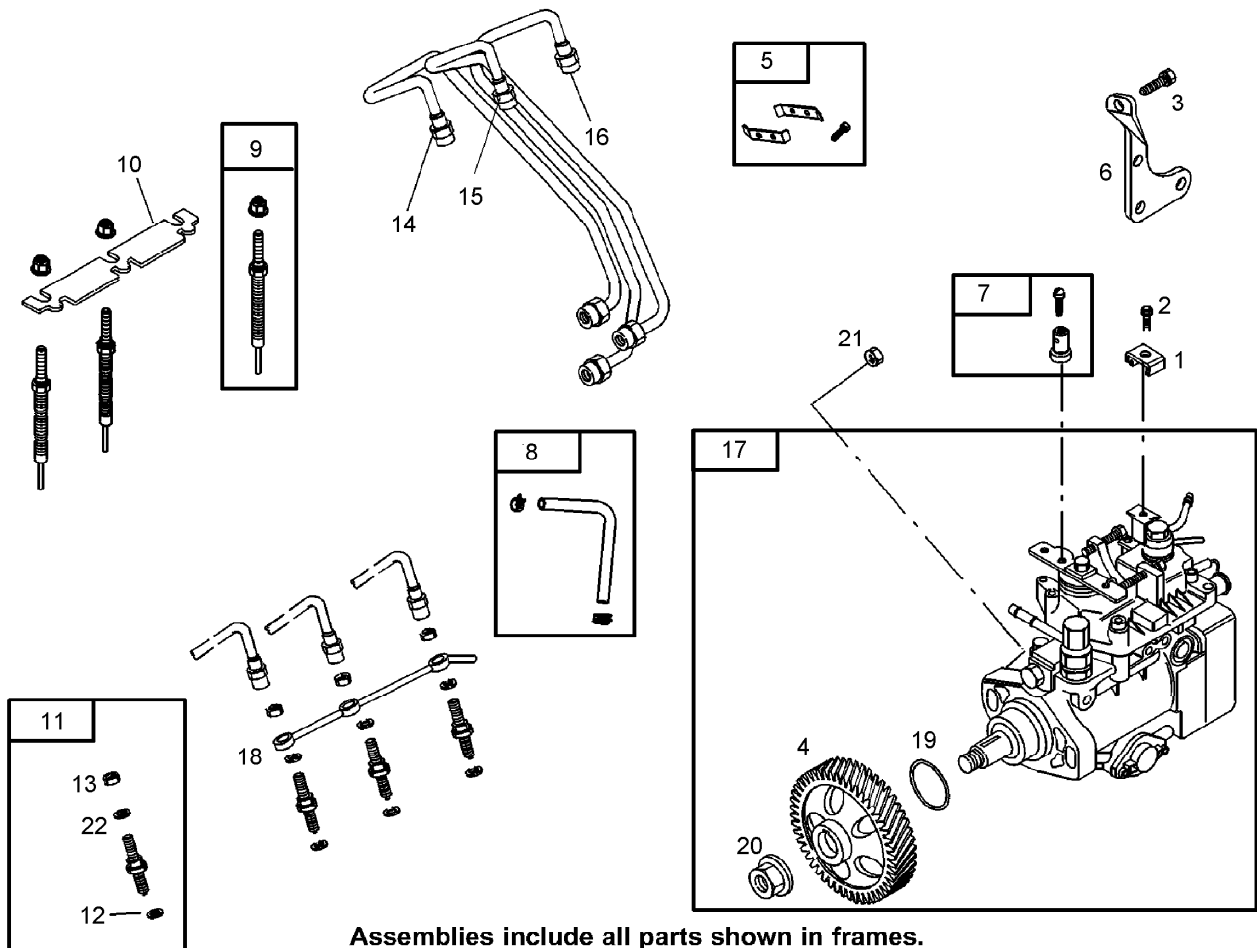
Crankshaft Assembly

Ref.	Part Number	Qty.	Description
1	105-9339	1	Crankshaft
3	99-9024	1	Flywheel
4	107-9895	1	Piston ASM
5	107-9896	1	Piston ASM (Oversize)
6	105-9340	1	Ring Set
7	99-9269	1	Ring Set (.010 Oversized)
8	99-9607	1	Lock-Pin, Piston
9	99-9608	1	Rod-Connecting
10	99-9030	1	Screw
11	99-9035	1	Shim-Endplay
12	99-9036	1	Shim-Endplay (.005 Oversized)
13	99-9034	1	Nut-Hex
14	107-9897	1	Screw-Hex
15	99-9037	1	Pin-Locating
16	99-9609	1	Gear-Drive
17	99-9032	1	Screw-Hex
20	99-9040	1	Plate-Gear, Idler
21	99-9041	1	Pulley-Crankshaft
22	99-9042	1	Bearing-Rod
23	99-9043	1	Rod Bearing Set
24	99-9044	1	Rod Bearing Set (.010 Undersized)
25	99-9045	1	Main Bearing Set (Set Of 8)
26	99-9046	1	Main Bearing Set (.010 Undersized)



Cylinder Head Assembly

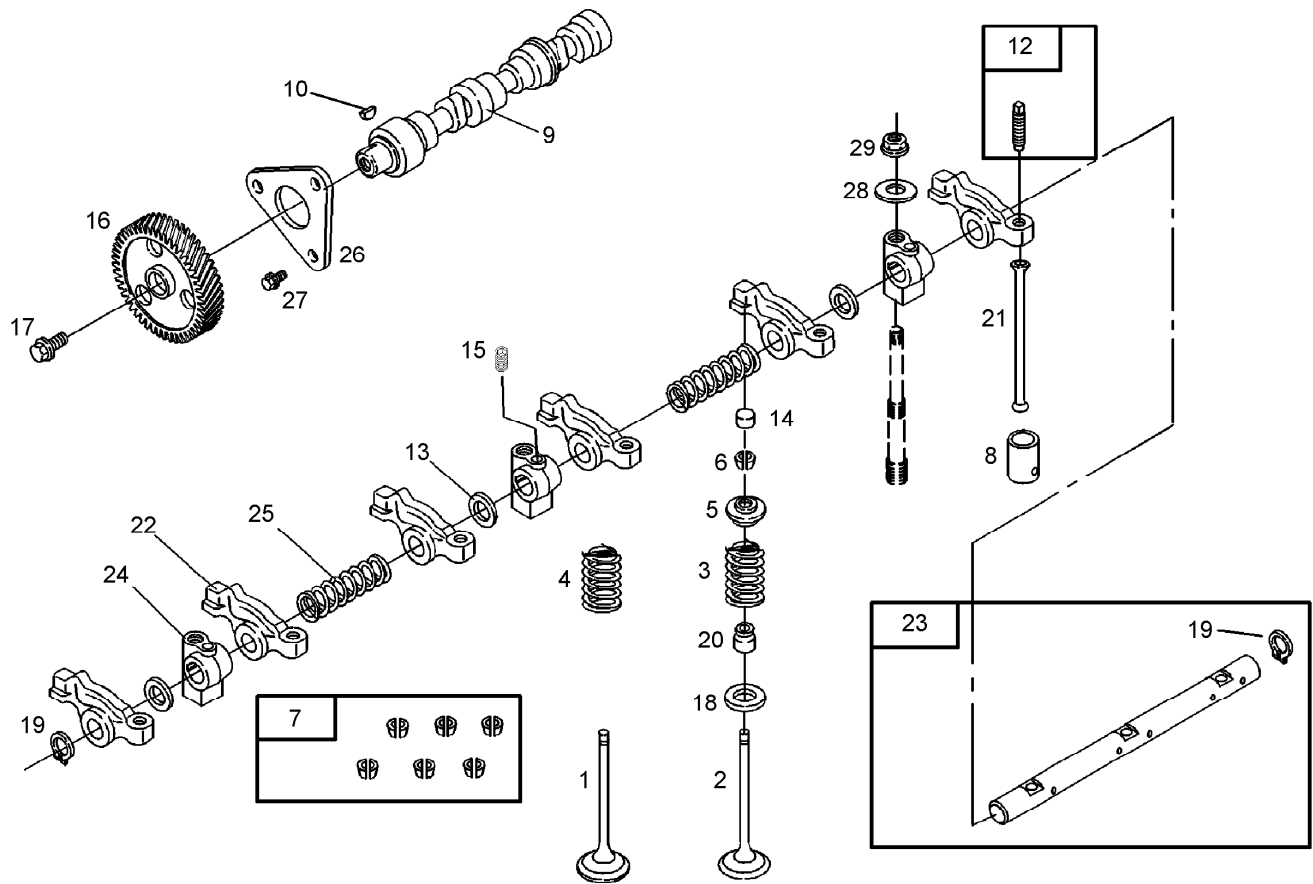
Ref.	Part Number	Qty.	Description
1	105-9341	1	Head-Cylinder
2	107-9898	1	Gasket-Head, Cylinder
3	105-9342	1	Tube-Breather
4	99-9614	1	Screw-Metric
5	99-9052	1	Cap-Fill, Oil
6	99-9060	1	Plug-Welch
7	99-9008	1	Plug-Welch
8	99-9058	1	Stud-Metric
9	99-9059	1	Stud-Metric
10	99-9057	1	Stud-Metric
11	99-9063	1	Washer-Seal
12	99-9067	1	Retainer
13	99-9054	1	Screw-Hex
14	99-9061	1	Nut-Hex, Metric
15	99-9101	1	Stud-Arm, Rocker
16	99-9070	1	Bushing-Guide
17	99-9073	1	Gasket-Cover, Rocker
18	100-6402	1	Cover-Rocker
19	107-9899	1	Emmision Label Kit
20	99-9076	1	Bracket-Lifting
21	99-9077	1	Bracket-Lifting
22	99-9055	1	Stud-Metric



Assemblies include all parts shown in frames.

Injection Pump Assembly

Ref.	Part Number	Qty.	Description
1	99-9622	1	Clamp-Casing
2	99-9056	1	Screw-Hex
3	99-9616	1	Screw-Hex
4	99-9689	1	Gear-Drive
5	99-9625	1	Clamp
6	99-9626	1	Bracket-Support
7	99-9628	1	Clamp-Swivel
8	99-9629	1	Hose / Clamp ASM
9	99-9630	1	Plug-Glow
10	99-9631	1	Strap-Plug, Glow
11	99-9632	1	Nozzle-Injector
12	99-9633	1	Seat-Injector
13	105-9345	1	Nut
14	99-9690	1	Pipe-Injector, No. 1
15	99-9634	1	Pipe-Injector, No. 2
16	99-9635	1	Pipe-Injector, No. 3
17	105-9334	1	Pump-Injection
18	99-9637	1	Pipe-Return, Fuel
19	99-9618	1	O-Ring
20	99-9620	1	Nut-Hex, Metric
21	99-9619	1	Nut-Hex, Metric
22	105-9343	1	Seat-Injector

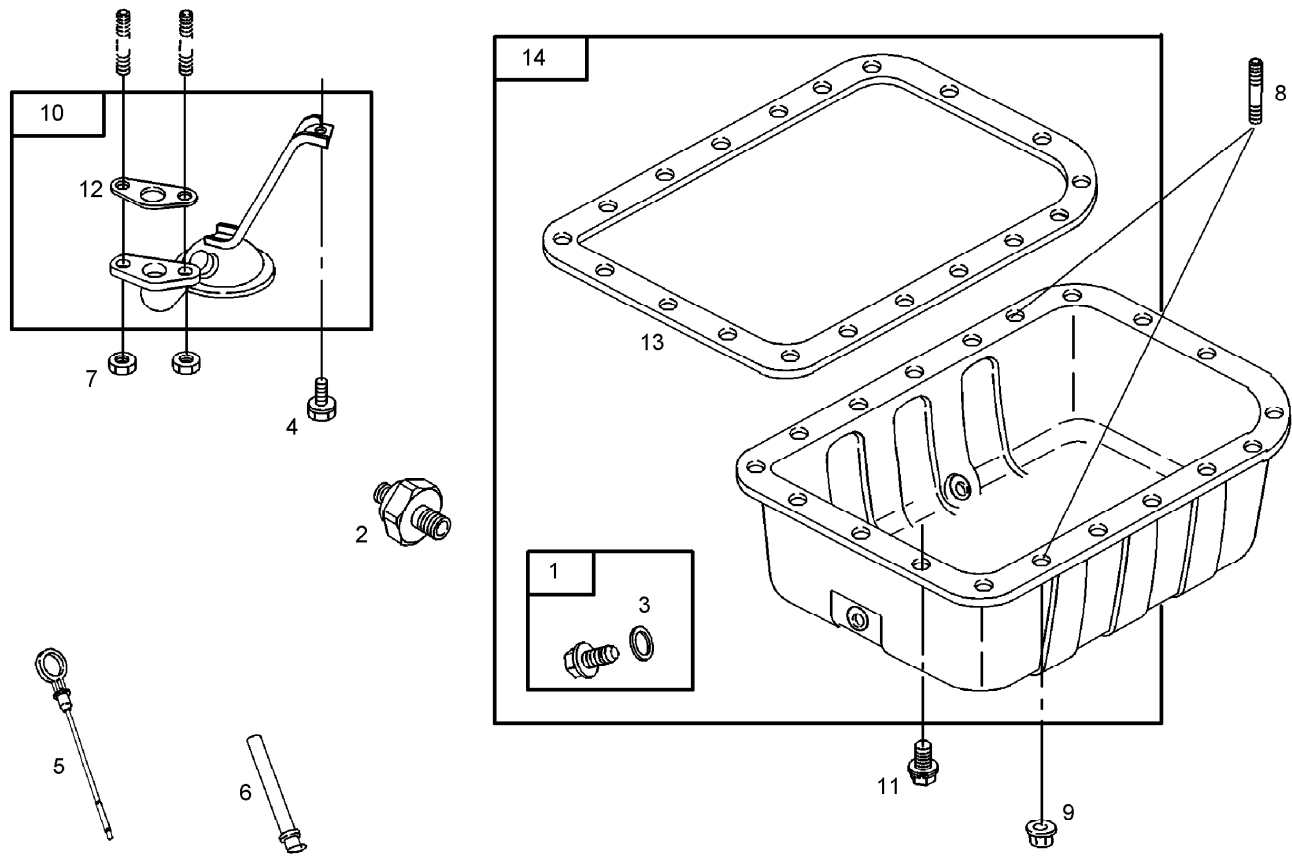


Assemblies include all parts shown in frames.

Camshaft Assembly

Ref.	Part Number	Qty.	Description
1	99-9638	1	Valve-Exhaust
2	99-9639	1	Valve-Intake
3	99-9640	1	Spring-Valve
4	99-9640	1	Spring-Valve
5	99-9084	1	Retainer-Valve
6	99-9086	1	Keeper-Valve (Set)
7	99-9087	1	*obs* Keeper-Valve (Set Of 6)
8	99-9088	1	Tappet-Valve
9	99-9097	1	Shaft-Cam
10	99-9675	1	Key-Timing
12	99-9092	1	Adjuster-Arm, Rocker
13	99-9093	1	Washer-Spacer
14	99-9094	1	Cap-Valve
15	99-9090	1	Screw-Metric

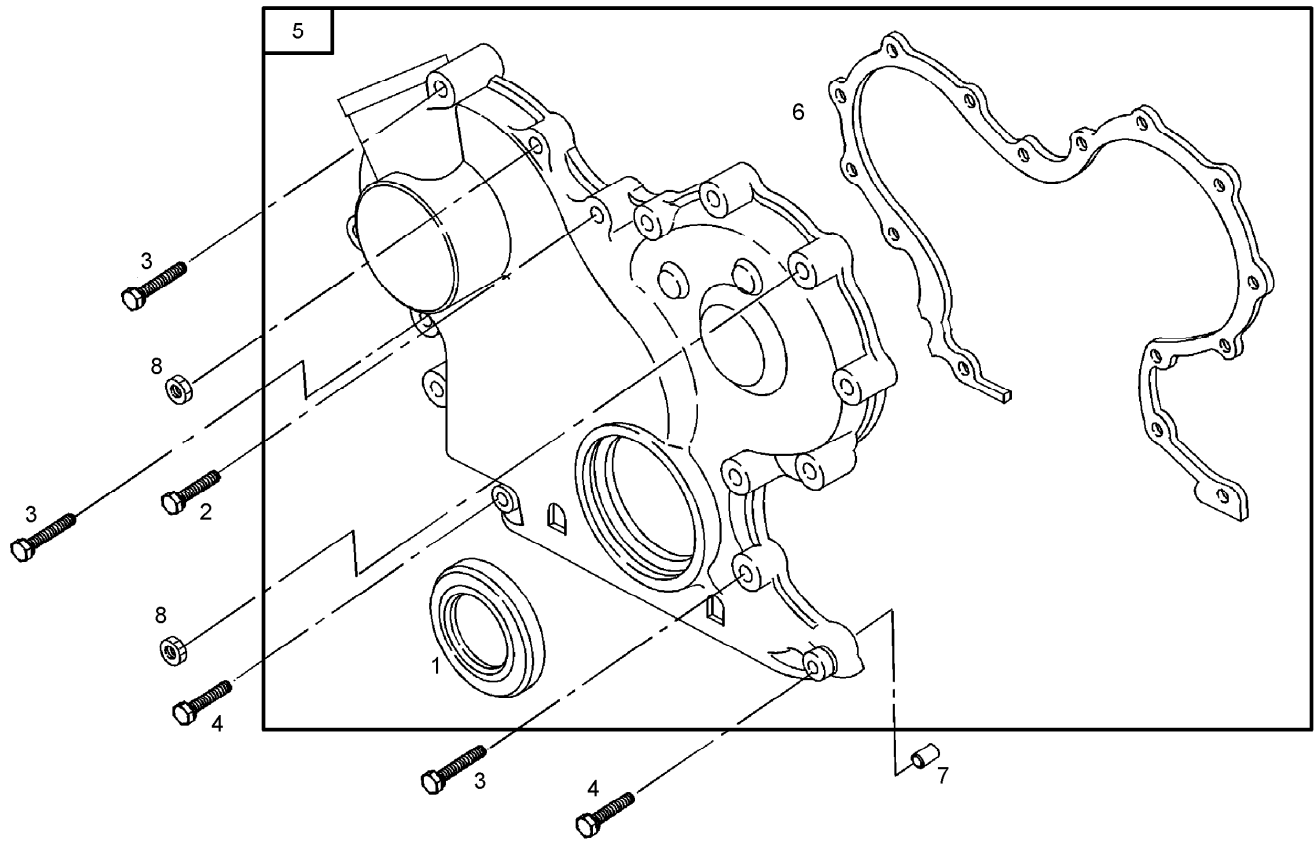
Ref.	Part Number	Qty.	Description
16	99-9641	1	Gear-Cam
17	99-9085	1	Screw-Metric
18	99-9096	1	Seat-Spring, Valve
19	99-9099	1	Retainer
20	99-9643	1	Seal-Valve
21	99-9103	1	Rod-Push
22	99-9104	1	Arm-Rocker
23	99-9106	1	Shaft-Arm, Rocker
24	99-9107	1	Support-Arm, Rocker
25	99-9108	1	Spring-Shaft, Rocker
26	99-9109	1	Retainer-Camshaft
27	99-9083	1	Screw-Hex
28	99-9079	1	Washer-Flat
29	99-9091	1	Nut-Hex, Metric



Assemblies include all parts shown in frames.

Oil Pan Assembly

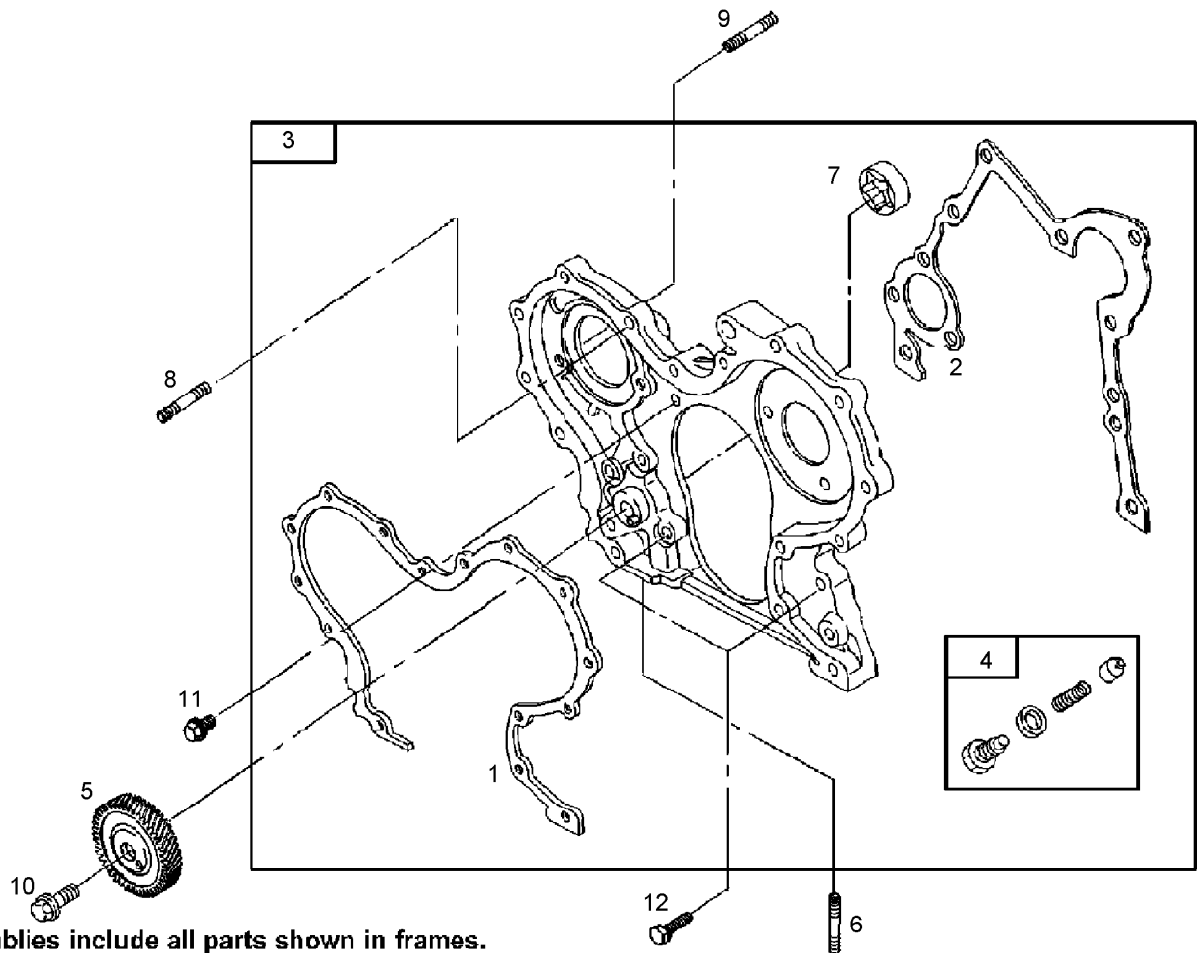
<i>Ref.</i>	<i>Part Number</i>	<i>Qty.</i>	<i>Description</i>
1	99-9247	1	Plug-Drain, Oil
2	107-9908	1	Switch-Pressure, Oil
3	99-9249	1	Washer-Seal
4	99-9111	1	Screw-Hex
5	110-2597	1	Dipstick
6	99-9118	1	Tube-Dipstick
7	99-9114	1	Nut-Hex, Metric
8	99-9112	1	Stud-Metric
9	99-9113	1	Nut-Hex, Metric
10	99-9116	1	Screen-Pump, Oil
11	99-9111	1	Screw-Hex
12	99-9120	1	Gasket-Strainer, Oil
13	99-9121	1	Gasket-Pan, Oil
14	99-9241	1	Pan-Oil



Assemblies include all parts shown in frames.

Gear Cover Assembly

<i>Ref.</i>	<i>Part Number</i>	<i>Qty.</i>	<i>Description</i>
1	115-2318	1	Gasket Kit
2	99-9651	1	Screw-Hex
3	99-9128	1	Screw-Hex
4	99-9129	1	Screw-Hex
5	99-9652	1	Gear Cover ASM
6	99-9653	1	Gasket-Cover, Gear
7	99-9014	1	Pin-Locating
8	99-9114	1	Nut-Hex, Metric

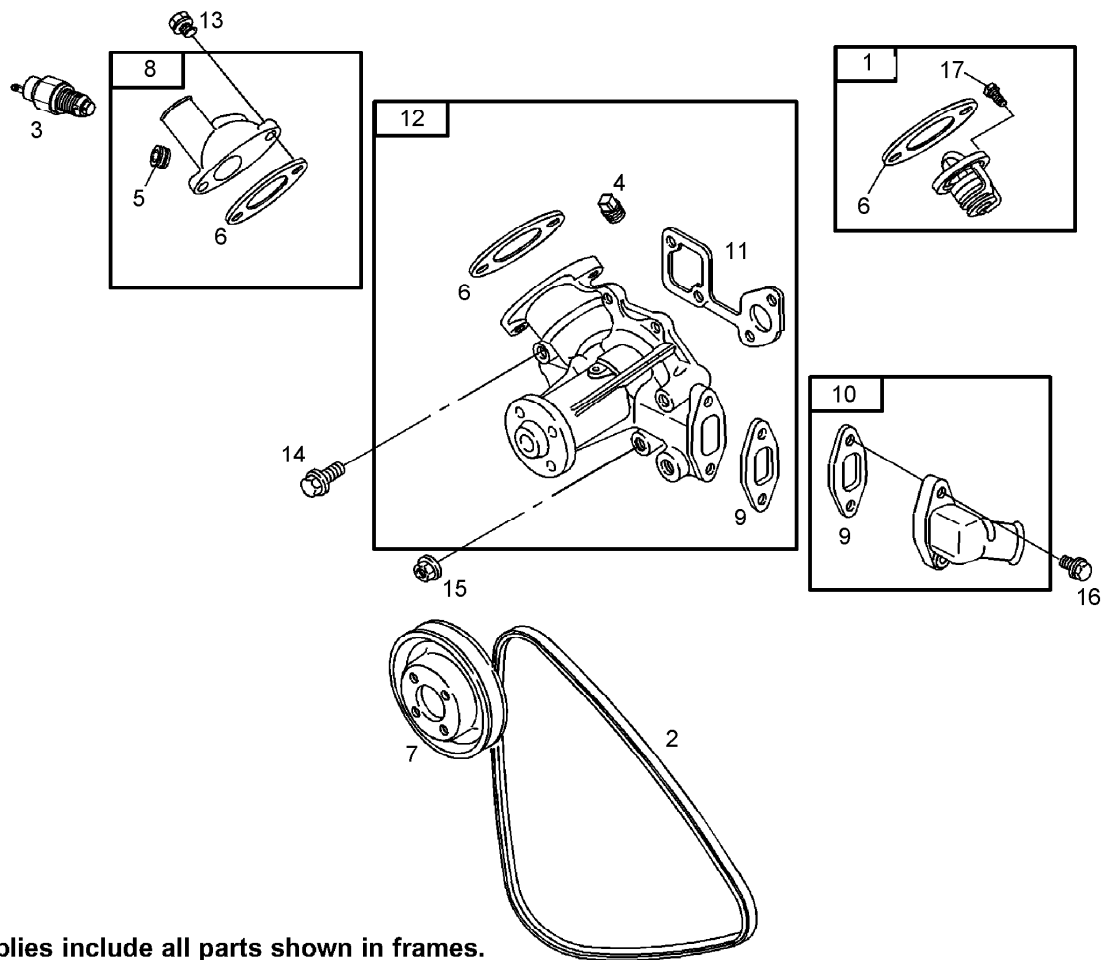


Assemblies include all parts shown in frames.

Gear Housing Assembly

<i>Ref.</i>	<i>Part Number</i>	<i>Qty.</i>	<i>Description</i>
1	99-9653	1	Gasket-Cover, Gear
2	99-9136	1	Gasket-Cover, Gear Reduction
3	99-9655	1	Housing-Gear
4	99-9142	1	Valve-Relief, Oil
5	99-9656	1	Gear-Drive
6	99-9007	1	Stud-Metric
7		1	Gerotor ●
8	99-9137	1	Stud-Metric
9	99-9654	1	Stud-Metric
10	99-9135	1	Screw-Hex
11	99-9134	1	Screw-Hex
12	99-9133	1	Screw-Hex

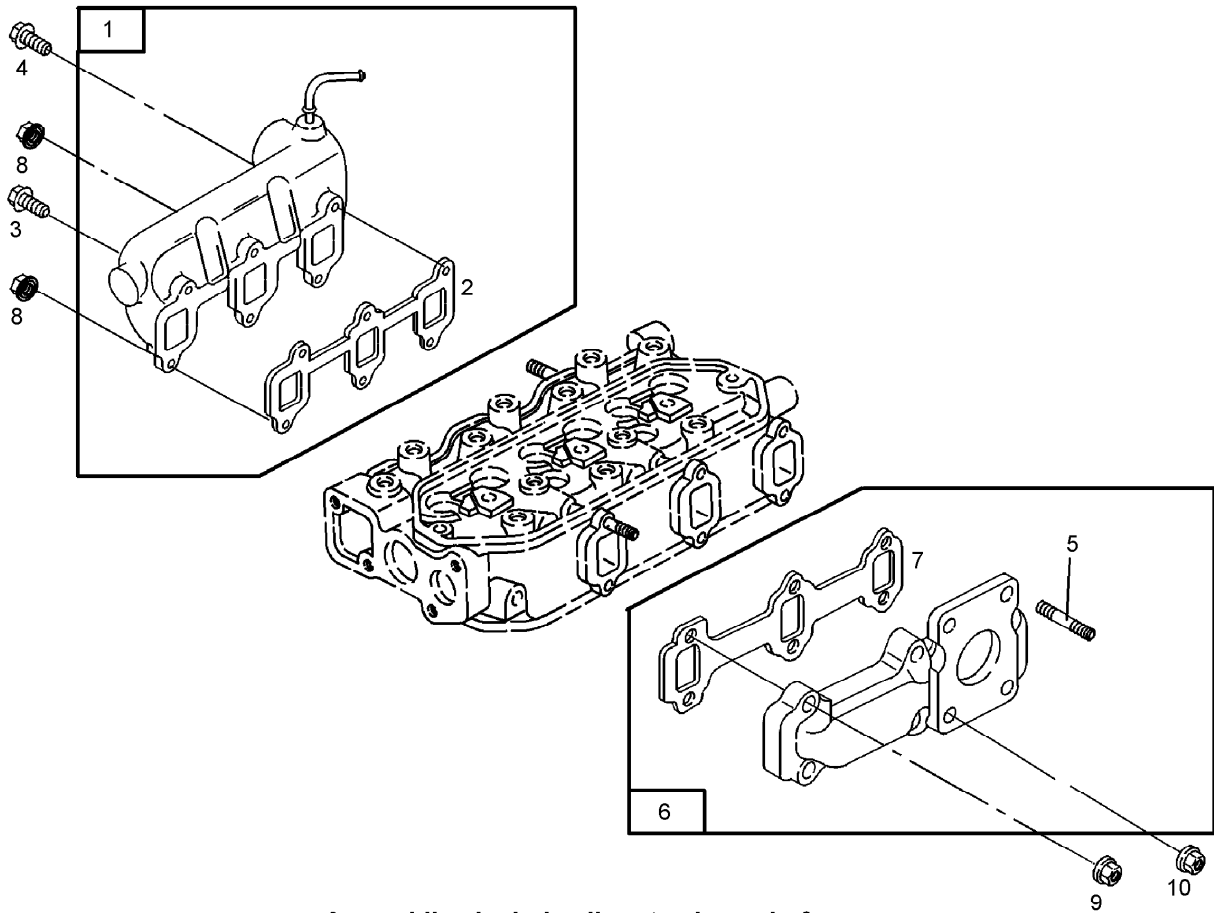
● Not serviced separately



Assemblies include all parts shown in frames.

Water Pump Assembly

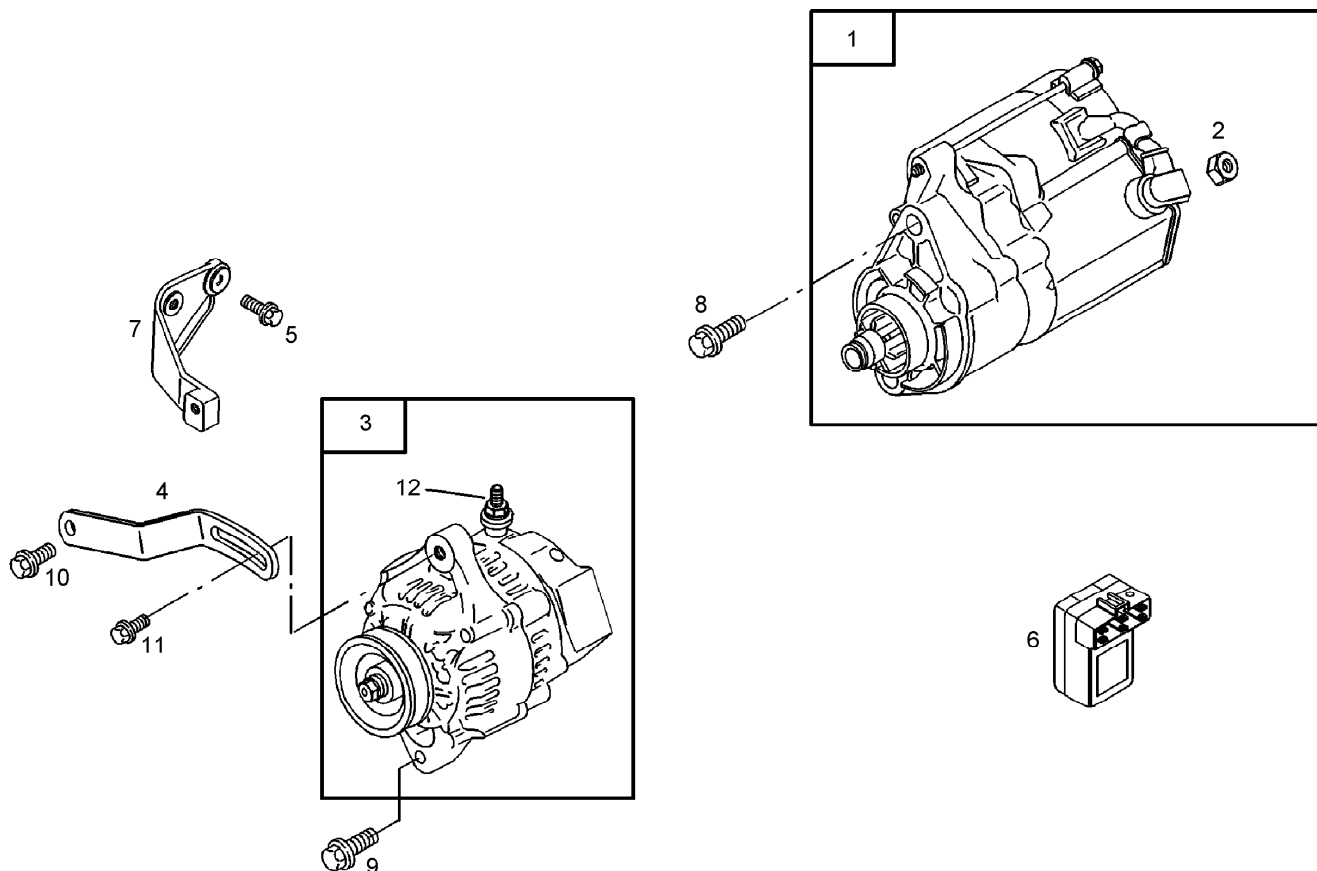
<i>Ref.</i>	<i>Part Number</i>	<i>Qty.</i>	<i>Description</i>
1	99-9155	1	Thermostat
2	99-9156	1	Belt-V
3	107-9902	1	Switch-Temperature, Water
4	99-9159	1	Plug
5	99-9158	1	Plug
6	99-9163	1	Gasket-Housing, Outlet
7	99-9164	1	Pulley-Pump
8	99-9165	1	Housing-Outlet
9	99-9166	1	Gasket-Housing, Inlet
10	99-9167	1	Housing-Inlet
11	99-9168	1	Gasket-Pump, Water
12	99-9659	1	Pump-Water
13	99-9004	1	Screw-Hex
14	99-9151	1	Screw-Hex
15	99-9153	1	Nut-Hex, Metric
16	99-9004	1	Screw-Hex
17	99-9152	1	Screw-Metric



Assemblies include all parts shown in frames.

Manifold Assembly

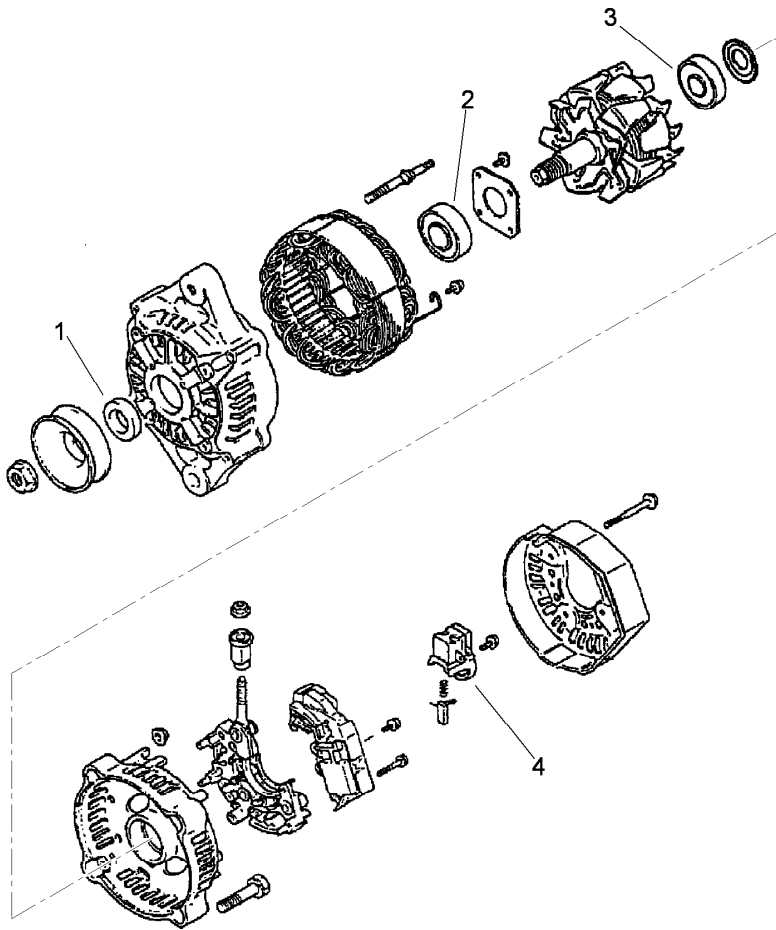
<i>Ref.</i>	<i>Part Number</i>	<i>Qty.</i>	<i>Description</i>
1	99-9661	1	Manifold-Intake
2	99-9662	1	Gasket-Intake
3	99-9004	1	Screw-Hex
4	99-9660	1	Screw-Hex
5	99-9174	1	Stud-Manifold, Exhaust
6	99-9177	1	Manifold-Exhaust
7	106-1855	1	Gasket-Exhaust
8	99-9114	1	Nut-Hex, Metric
9	99-9175	1	Nut-Hex, Metric
10	99-9176	1	Nut-Hex



Assemblies include all parts shown in frames.

Starter Motor and Alternator Assembly

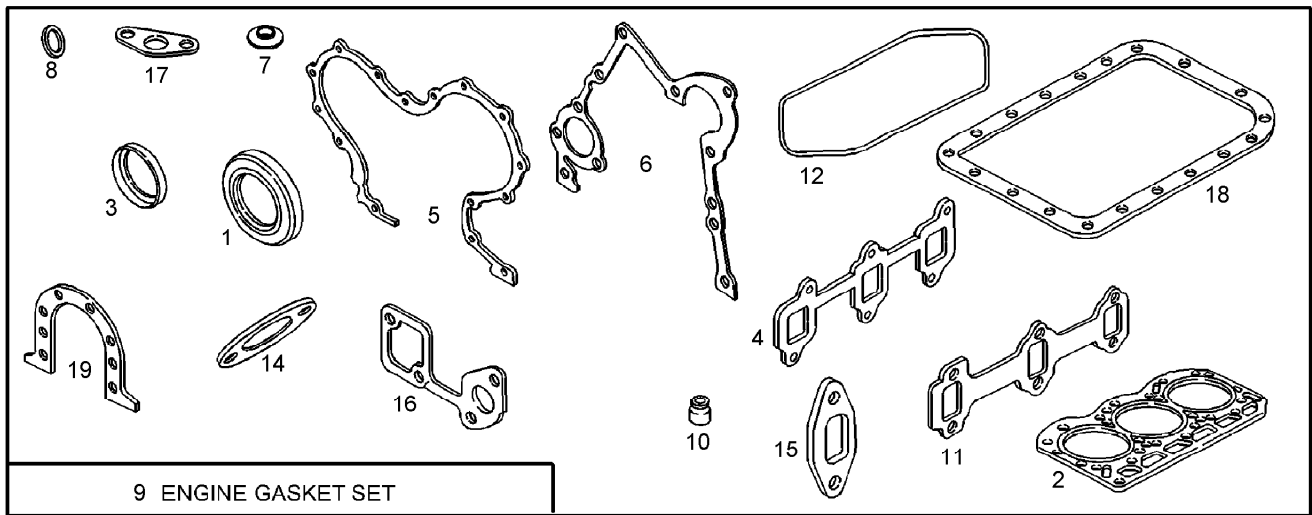
<i>Ref.</i>	<i>Part Number</i>	<i>Qty.</i>	<i>Description</i>
1	99-9207	1	Motor-Starter
2	99-9206	1	Nut-Hex, Metric
3	99-9209	1	Alternator
4	106-1952	1	Strap-Adjusting
5	99-9203	1	Screw-Hex
6	99-9666	1	Module
7	99-9211	1	Bracket-Support
8	99-9201	1	Screw-Hex
9	99-9205	1	Screw-Hex, Metric
10	99-9202	1	Screw-Hex
11	107-9903	1	Screw-Hex, Metric
12	99-9114	1	Nut-Hex, Metric



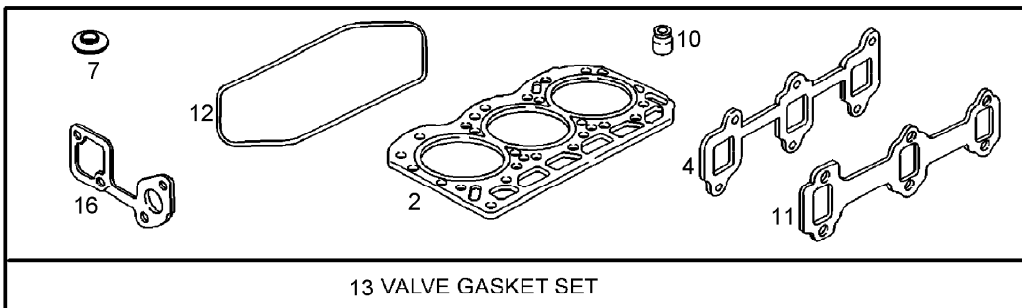
Parts not listed in parts list are not serviced separately

Alternator Assembly No. 99-9209

<i>Ref.</i>	<i>Part Number</i>	<i>Qty.</i>	<i>Description</i>
1	100-5315	1	Collar
2	100-5316	1	Bearing
3	100-5317	1	Bearing
4	100-5318	1	Brush Holder ASM



9 ENGINE GASKET SET



13 VALVE GASKET SET

Assemblies include all parts shown in frames.

Gasket Assembly

Ref.	Part Number	Qty.	Description
1	99-9003	1	Seal-Oil
2	107-9898	1	Gasket-Head, Cylinder
3	115-2318	1	Gasket Kit
4	99-9662	1	Gasket-Intake
5	99-9653	1	Gasket-Cover, Gear
6	99-9136	1	Gasket-Cover, Gear Reduction
7	99-9063	1	Washer-Seal
8	99-9249	1	Washer-Seal
9	107-9906	1	Gasket Set
10	99-9643	1	Seal-Valve
11	106-1855	1	Gasket-Exhaust
12	99-9073	1	Gasket-Cover, Rocker
13	107-9907	1	Valve Overhaul Kit
14	99-9163	1	Gasket-Housing, Outlet
15	99-9166	1	Gasket-Housing, Inlet
16	99-9168	1	Gasket-Pump, Water
17	99-9120	1	Gasket-Strainer, Oil
18	99-9121	1	Gasket-Pan, Oil
19	99-9021	1	Gasket-Retainer

Attachments and Accessories

For 74268 Z Master With 60in TURBO FORCE Side Discharge Mower

Product Name	Model/Part
Spark Arrester Kit	105-1673
Blade-Mid Flow, 20.5in	105-7715-03
Blade-Lo Flow, 20.5in	105-7716-03
Blade-Hi Flow, 20.5in	105-7718-03
Blade-Recycler, 20.5in	105-7777-03
Blade-Atomic, 20.5in	105-8777-03
Recycler Kit	107-1611
Striping Kit	107-1630
Turbo Baffle Kit	107-1634
Light Kit	107-9880
6 Pack Blade, 20.5in Hi-Flow	108-1114
6 Pack-Blade, 20.5in Atomic	108-1115
6 Pack Blade, 20.5in Mid-Flow	108-1123
6 Pack-Blade, 20.5in Lo Flow	108-1128
Roller Striping Kit	108-2162
6 Pack-Blade, 20.5in Recycler	110-0405
Hitch Kit	110-0444
Operator Fan Kit - US Sales Only, 2in ROPS Post	110-1996
Hypr-Oil 500 (quart)	114-4713
Hypr-Oil 500 (gallon)	114-4714
Hypr-Oil 500-5 (5 gallon)	114-4715
Bimini Folding Shade Assembly	115-4510
Chute Gate Kit	78521
Triple Bag Assembly	78534
Blower and Drive Kit	78538
DFS E-Z Vac Bagger	78544
Filter Minder Gauge	99-4664

Notes:



Count on it.