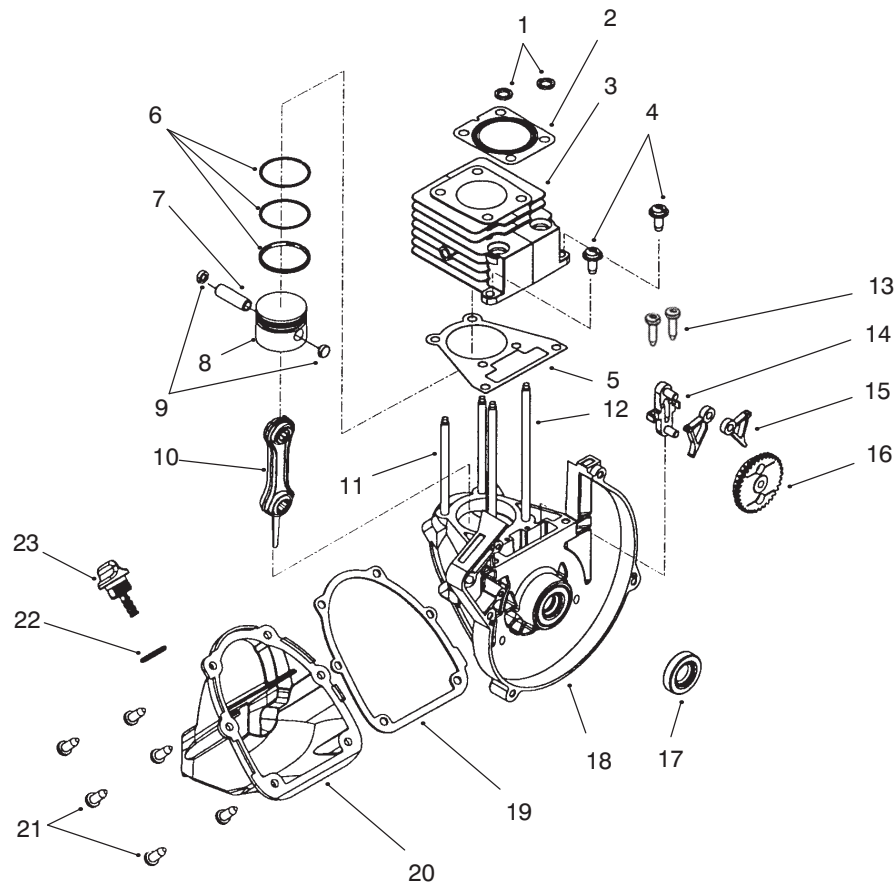




MODEL NO. 51926-690001 & UP

PARTS
CATALOG

TRIMMER

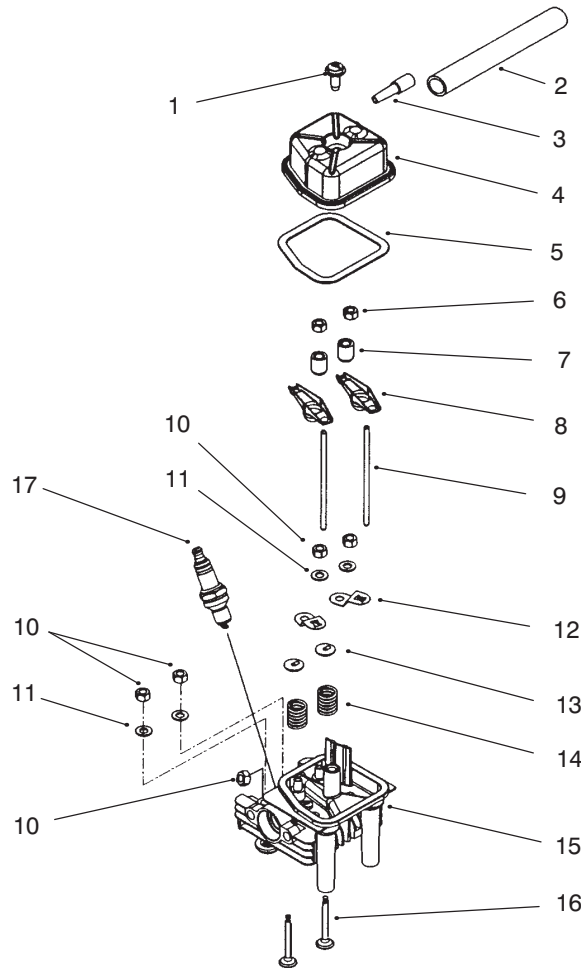


C-2589

CYLINDER & CRANKCASE ASSEMBLY

Ref. No.	Part No.	Description	No. Used	Ref. No.	Part No.	Description	No. Used
1	181000	O Ring – Push Rod Tube	2	16	181015	Cam Gear	2
2	181001	Gasket – Cylinder Head	1	17	181016	Seal	1
3	181002	Cylinder	1	18	181017	Crankcase W/Power Shaft (Incl. Ref. #11,12,&17)	1
4	181003	Screw	2	19	181018	Gasket – Oil Pan	1
5	181004	Gasket – Cylinder	1	20	181019	Pan – Oil	1
6	181005	Piston Ring Set	1	21	181020	Screw	6
7	181006	Pin – Wrist	1	22	181021	O Ring	1
8	181007	Piston	1	23	181537	Plug – Oil Fill (Incl. Ref. #22)	1
9	181008	Button – Wrist Pin	2	*	181023	Piston & Rod Assembly (Incl. Ref. # 6-10)	1
10	181009	Rod – Connecting	1	*	181024	Engine Gasket Kit	1
11	181010	Cylinder Stud (83.5mm)	2	*	181042	Short Block Assembly (All Items Included)	1
12	181011	Cylinder Stud (115.5mm)	2				
13	181012	Screw – Cam Bracket	2				
14	181013	Bracket – Cam	1				
15	181014	Follower – Cam	2				

* Not Illustrated

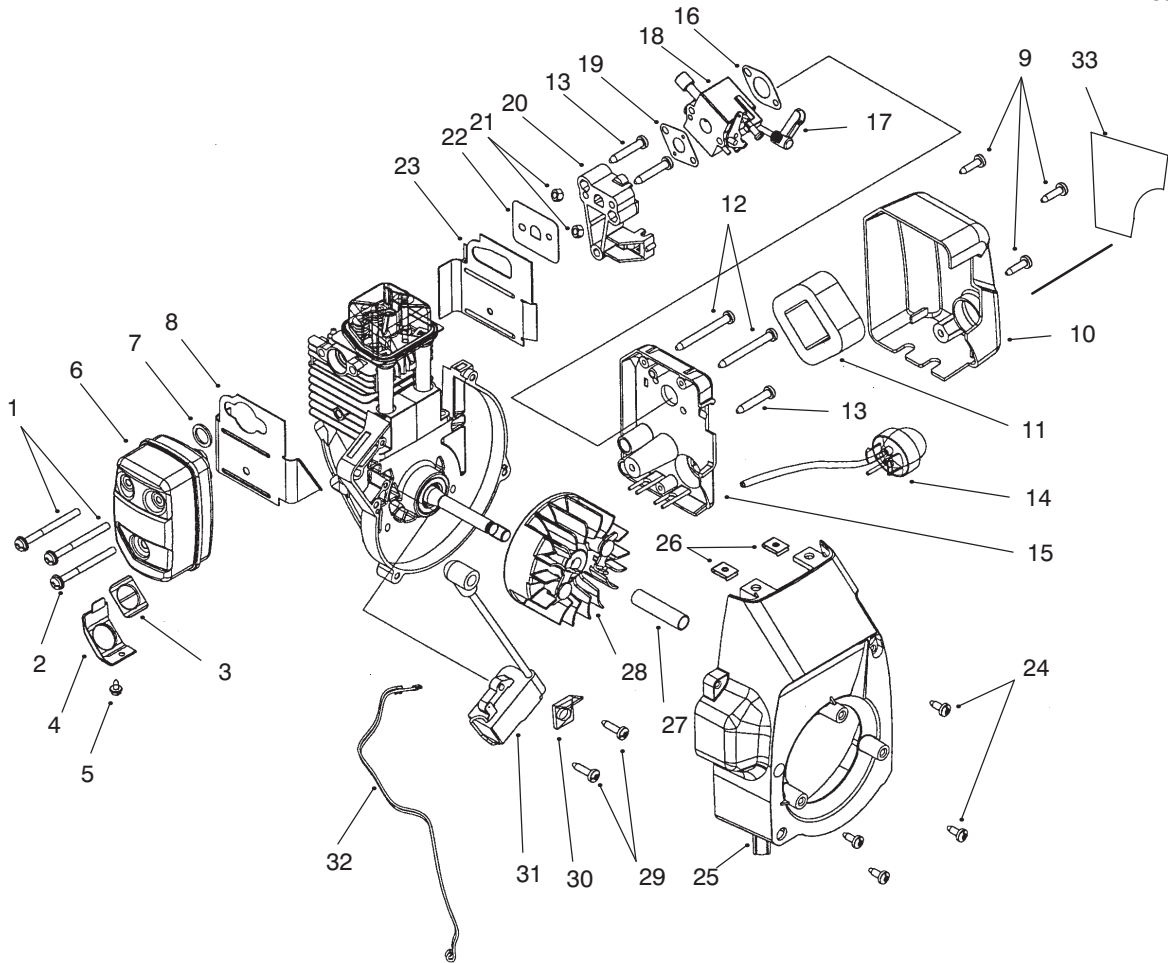


C-2590

CYLINDER HEAD ASSEMBLY

Ref. No.	Part No.	Description	No. Used	Ref. No.	Part No.	Description	No. Used
1	181025	Screw – Valve Cover	1	12	181036	Guide – Push Rod	2
2	181026	Hose – Breather	1	13	181037	Retainer – Valve Spring	2
3	181027	Breather Assembly	1	14	181038	Spring – Valve	2
4	181028	Cover – Valve	1	15	181039	Head – Cylinder	1
5	181029	Gasket – Valve Cover	1	16	181040	Valve	2
6	181030	Nut – Rocker Adjusting	2	17	180852	Spark Plug	1
7	181031	Pivot – Rocker Arm	2	*	181041	Cylinder Head Assembly (Incl. Ref. #13-16)	1
8	181032	Arm – Rocker	2	*	181042	Short Block Assembly (All Items Included)	1
9	181033	Rod – Push	2				
10	181034	Nut – Hex	2				
11	181035	Washer	2				

* Not Illustrated

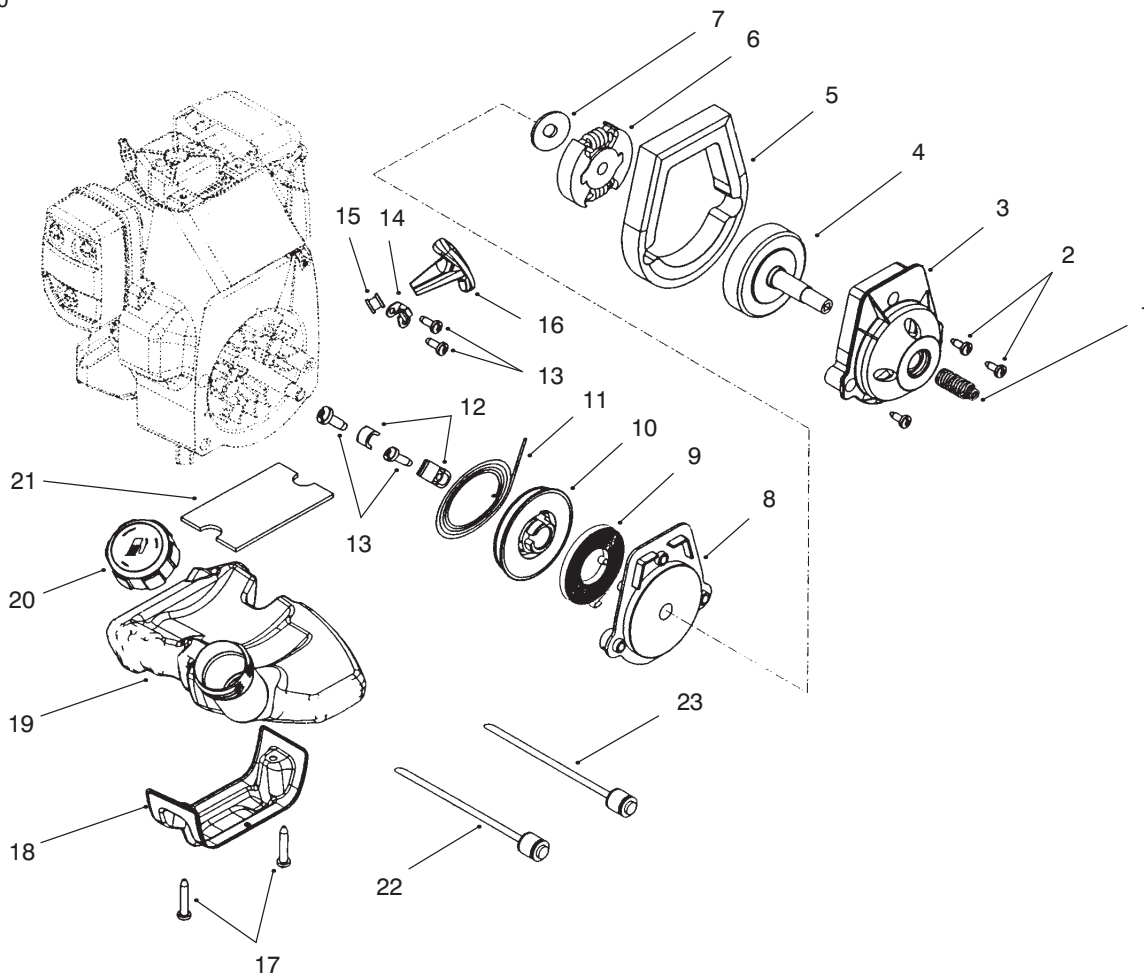


C-2591

CARBURETOR & MUFFLER ASSEMBLIES

Ref. No.	Part No.	Description	No. Used
1	181043	Screw – Muffler Mounting	2
2	181044	Screw – Muffler Mounting	1
3	180890	Screen – Spark Arrestor	1
4	181045	Cover – Screen	1
5	181046	Screw – Screen Cover	1
6	181047	Muffler (Incl. Ref. #1–5 & 7)	1
7	181048	Gasket – Muffler	1
8	181049	Baffle – Muffler	1
9	181050	Screw – Air Filter Cover	3
10	181051	Cover – Air Filter	1
11	180350	Filter – Air	1
12	181052	Screw – Air Filter Base	2
13	181053	Screw	3
14	181538	Primer & Line Assembly	1
15	181055	Base – Air Filter	1
16	181056	Gasket	1
17	181539	Lever – Choke	2
18	181540	Carburetor W/Choke Lever	1
19	181059	Gasket	1
20	181060	Insulator – Carb. Mount	1

Ref. No.	Part No.	Description	No. Used
21	181034	Nut – Hex	2
22	181061	Gasket – Intake	1
23	181062	Baffle – Intake	1
24	181003	Screw	4
25	181541	Housing – Fan	1
26	181064	Nut – Tinnerman	2
27	181065	Spacer	1
28	180929	Flywheel	1
29	181066	Screw – Module	2
30	611063	Tab – Ground	1
31	181067	Module – Ignition	1
32	181094	Lead – Wire 18”	2
33	9373	Decal – Choke	1
*	610676	Key – Flywheel	1
*	180142	Flywheel Starter Pawl Repair Kit	1
*	181068	O.E.M. Carburetor Repair Kit	1
*	181069	Gasket – Diaphragm Repair Kit	1
*	180986	Carburetor Limiter Cap Set	1



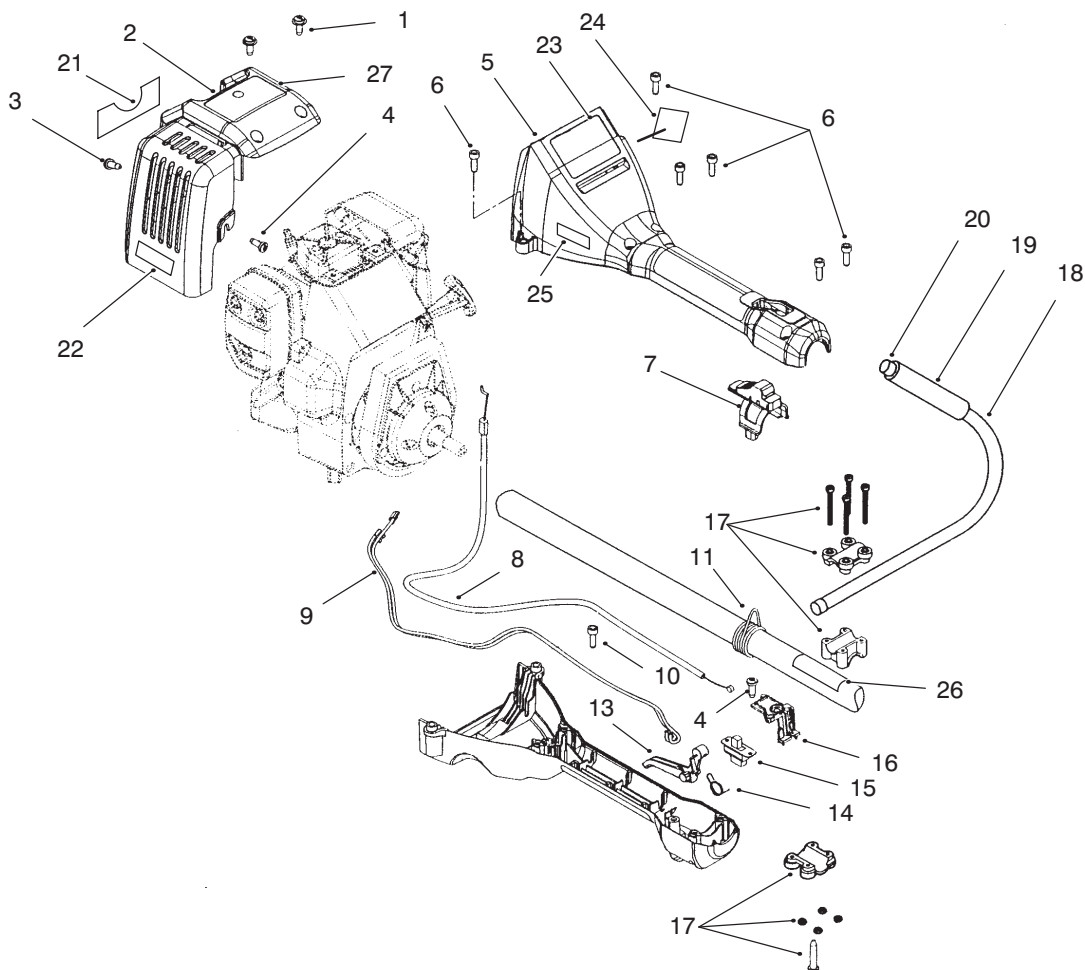
C-2592

CLUTCH, STARTER MODULE & FUEL TANK ASSEMBLIES

Ref. No.	Part No.	Description	No. Used
1	612468	Spring – Compression	1
2	181070	Screw	3
3	181071	Housing – Clutch	1
4	180232	Drum – Clutch	1
5	181545	Isolator	1
6	181073	Clutch	1
7	181546	Washer – Clutch	1
8	181102	Clutch Housing Assembly W/Drum (Incl. Ref. #3 & 4)	1
9	613102	Spring – Starter	1
10	180535	Pulley – Starter	1
11	613103	Rope – Starter	1
12	181076	Retainer – Starter Pulley	1

Ref. No.	Part No.	Description	No. Used
13	181544	Screw	2
14	181078	Retainer – Rope Guide	1
15	611061	Guide – Rope	1
16	181079	Handle – Starter	1
17	181080	Screw – Fuel Tank Bracket	2
18	181081	Bracket – Fuel Tank	1
19	181542	Tank – Fuel (Incl. Ref. #20, 22 & 23)	1
20	181543	Cap – Fuel	1
21	181084	Pad – Fuel Tank	1
22	181085	Fuel Line Assembly W/Filter	1
23	181086	Line – Fuel Return	1

* Not Illustrated



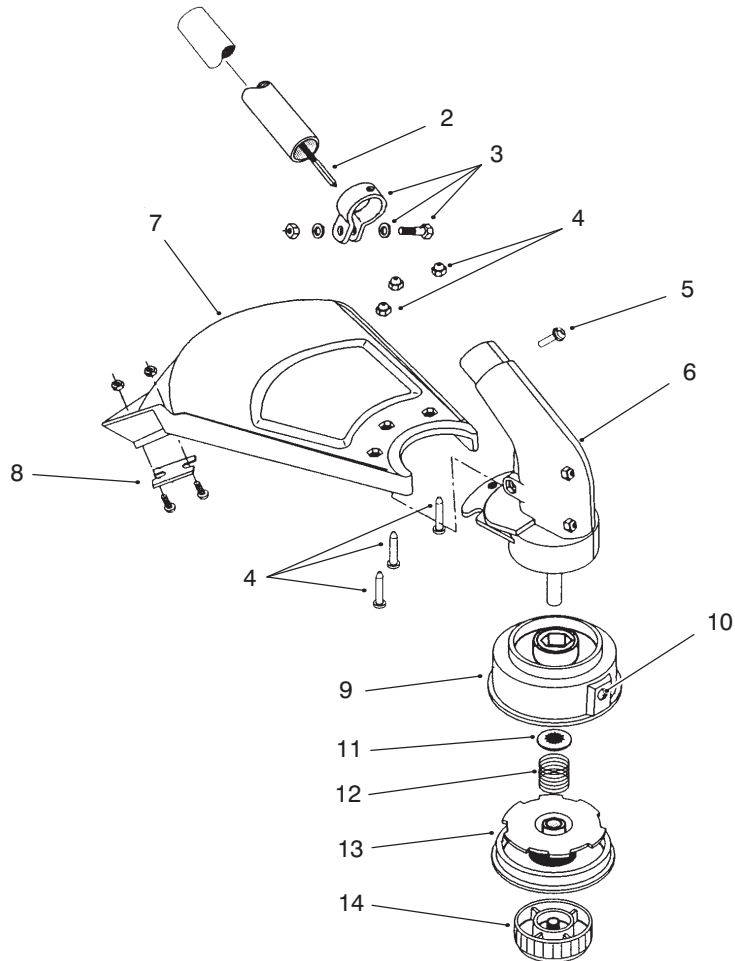
C-2593

HANDLE & UPPER BOOM ASSEMBLY

Ref. No.	Part No.	Description	No. Used
1	181020	Screw	2
2	181088	Cover – Engine	1
3	181089	Screw	1
4	181104	Screw – Engine Cover	1
5	181090	Handle Assembly	1
6	181070	Screw	6
7	181091	Slide – Switch	1
8	181093	Cable – Throttle	1
9	181094	Lead – Wire 18”	2
10	181095	Screw – Anti-Rotation	1
11	610327	Clip – Shoulder Strap	1
13	181096	Trigger	1
14	610314	Spring	1
15	181097	Switch	1

Ref. No.	Part No.	Description	No. Used
16	181098	Retainer – Switch & Trigger	1
17	683295	Handle Bracket Assembly	1
18	181099	J-Handle Assembly (Incl. Ref. # 19 & 20)	1
19	612831	Grip	1
20	612021	Tube Closure	1
21	9369	Decal – Oil	1
22	92-3332	Decal – Hot Surface	1
23	9355	Decal – Toro	1
24	9356	Decal – Care	1
25	9375	Decal – Gas	1
26	6693	Decal – Safety Symbols	1
27	9370	Decal – Trimmer	1
*	181103	Decal – Kit	1

* Not Illustrated



C-2595

LOWER BOOM & CUTTING HEAD ASSEMBLY

Ref. No.	Part No.	Description	No. Used
1	181548	Drive Shaft Housing Asm.	1
2	181549	Shaft - Flexible Drive	1
3	153597	Clamp Assembly	1
4	180547	Hardware - Guard Mounting	3
5	145569	Screw - Anti-Rotation	1
6	180549	Gearbox	1
7	180548	Guard - Cutting Head (Incl. Ref. #8)	1
8	682061	Blade Assembly	1
9	153619	Spool - Outer W/Eyelet (Incl. Ref. #10)	1
10	145566	Eyelet	1

Ref. No.	Part No.	Description	No. Used
11	610660	Retainer	1
12	610317	Spring	1
13	610318	Reel - Inner	1
14	682069	Bump Head Knob Assembly	1
*	610375	Monoflail Cutting Line	1
*	92-3450	Spool & Line Assembly	1
*	682075	Shoulder Strap Assembly	1
*	92-3297	Oil - Sae 30 100ml Bottle	1
*	181101	Spout - Oil Fill	1
*	180897	Complete Cutting Head (Incl. Ref. # 9,11-14)	1

TORO PART NUMBER INDEX

3318-760

Part No.	Description	Pg. No.	Ref. No.	Qty.	Part No.	Description	Pg. No.	Ref. No.	Qty.
6693	Decal – Safety Symbols	5	26	1	181040	Valve	2	16	2
9355	Decal – Toro	5	23	1	181041	Cylinder Head Assembly	2	*	1
9356	Decal – Care	5	24	1	181042	Short Block Assembly	1	*	1
9369	Decal – Oil	5	21	1	181042	Short Block Assembly	2	*	1
9370	Decal – Trimmer	5	27	1	181043	Screw – Muffler Mounting	3	1	2
9373	Decal – Choke	3	33	1	181044	Screw – Muffler Mounting	3	2	1
9375	Decal – Gas	5	25	1	181045	Cover – Screen	3	4	1
145566	Eyelet	6	10	1	181046	Screw – Screen Cover	3	5	1
145569	Screw – Anti–Rotation	6	5	1	181047	Muffler	3	6	1
153597	Clamp Assembly	6	3	1	181048	Gasket – Muffler	3	7	1
153619	Spool – Outer W/Eyelet	6	9	1	181049	Baffle – Muffler	3	8	1
180142	Flywheel Starter Pawl	3	*	1	181050	Screw – Air Filter Cover	3	9	3
180232	Drum – Clutch	4	4	1	181051	Cover – Air Filter	3	10	1
180350	Filter – Air	3	11	1	181052	Screw – Air Filter Base	3	12	2
180535	Pulley – Starter	4	10	1	181053	Screw	3	13	3
180547	Hardware – Guard Mounting	6	4	3	181055	Base – Air Filter	3	15	1
180548	Guard – Cutting Head	6	7	1	181056	Gasket	3	16	1
180549	Gearbox	6	6	1	181059	Gasket	3	19	1
180852	Spark Plug	2	17	1	181060	Insulator – Carb. Mount	3	20	1
180890	Screen – Spark Arrestor	3	3	1	181061	Gasket – Intake	3	22	1
180897	Complete Cutting Head	6	*	1	181062	Baffle – Intake	3	23	1
180929	Flywheel	3	28	1	181064	Nut – Tinnerman	3	26	2
180986	Carburetor Limiter Cap Set	3	*	1	181065	Spacer	3	27	1
181000	O Ring – Push Rod Tube	1	1	2	181066	Screw – Module	3	29	2
181001	Gasket – Cylinder Head	1	2	1	181067	Module – Ignition	3	31	1
181002	Cylinder	1	3	1	181068	O.E.M. Carburetor Repair Kit	3	*	1
181003	Screw	1	4	2	181069	Gasket – Diaphragm	3	*	1
181003	Screw	3	24	4	181070	Screw	4	2	3
181004	Gasket – Cylinder	1	5	1	181070	Screw	5	6	6
181005	Piston Ring Set	1	6	1	181071	Housing – Clutch	4	3	1
181006	Pin – Wrist	1	7	1	181073	Clutch	4	6	1
181007	Piston	1	8	1	181076	Retainer – Starter Pulley	4	12	1
181008	Button – Wrist Pin	1	9	2	181078	Retainer – Rope Guide	4	14	1
181009	Rod – Connecting	1	10	1	181079	Handle – Starter	4	16	1
181010	Cylinder Stud (83.5mm)	1	11	2	181080	Screw – Fuel Tank Bracket	4	17	2
181011	Cylinder Stud (115.5mm)	1	12	2	181081	Bracket – Fuel Tank	4	18	1
181012	Screw – Cam Bracket	1	13	2	181084	Pad – Fuel Tank	4	21	1
181013	Bracket – Cam	1	14	1	181085	Fuel Line Assembly W/Filter	4	22	1
181014	Follower – Cam	1	15	2	181086	Line – Fuel Return	4	23	1
181015	Cam Gear	1	16	1	181088	Cover – Engine	5	2	1
181016	Seal	1	17	1	181089	Screw	5	3	1
181017	Crankcase W/Power Shaft	1	18	1	181090	Handle Assembly	5	5	1
181018	Gasket – Oil Pan	1	19	1	181091	Slide – Switch	5	7	1
181019	Pan – Oil	1	20	1	181093	Cable – Throttle	5	8	1
181020	Screw	5	1	2	181094	Lead – Wire 18	5	9	2
181020	Screw	1	21	6	181094	Lead – Wire 18	3	32	2
181021	O Ring	1	22	1	181095	Screw – Anti–Rotation	5	10	1
181023	Piston & Rod Assembly	1	*	1	181096	Trigger	5	13	1
181024	Engine Gasket Kit	1	*	1	181097	Switch	5	15	1
181025	Screw – Valve Cover	2	1	1	181098	Retainer – Switch & Trigger	5	16	1
181026	Hose – Breather	2	2	1	181099	J–Handle Assembly	5	18	1
181027	Breather Assembly	2	3	1	181101	Spout – Oil Fill	6	*	1
181028	Cover – Valve	2	4	1	181102	Clutch Housing Assembly	4	8	1
181029	Gasket – Valve Cover	2	5	1	181103	Decal – Kit	5	*	1
181030	Nut – Rocker Adjusting	2	6	2	181104	Screw – Engine Cover	5	4	1
181031	Pivot – Rocker Arm	2	7	2	181537	Plug – Oil Fill	1	23	1
181032	Arm – Rocker	2	8	2	181538	Primer & Line Assembly	3	14	1
181033	Rod – Push	2	9	2	181539	Lever – Choke	3	17	2
181034	Nut – Hex	2	10	2	181540	Carburetor W/Choke Lever	3	18	1
181034	Nut – Hex	3	21	2	181541	Housing – Fan	3	25	1
181035	Washer	2	11	2	181542	Tank – Fuel	4	19	1
181036	Guide – Push Rod	2	12	2	181543	Cap – Fuel	4	20	1
181037	Retainer – Valve Spring	2	13	2	181544	Screw	4	13	2
181038	Spring – Valve	2	14	2	181545	Isolator	4	5	1
181039	Head – Cylinder	2	15	1	181546	Washer – Clutch	4	7	1

*Not Illustrated

TORO PART NUMBER INDEX (Cont.)

Part No.	Description	Pg. Ref.			Part No.	Description	Pg. Ref.		
		No.	No.	Qty.			No.	No.	Qty.
181549	Shaft – Flexible Drive	6	2	1	612831	Grip	5	19	1
610314	Spring	5	14	1	613102	Spring – Starter	4	9	1
610317	Spring	6	12	1	613103	Rope – Starter	4	11	1
610318	Reel – Inner	6	13	1	682061	Blade Assembly	6	8	1
610327	Clip – Shoulder Strap	5	11	1	682069	Bump Head Knob Assembly	6	14	1
610375	Monoflail Cutting Line	6	*	1	682075	Shoulder Strap Assembly	6	*	1
610660	Retainer	6	11	1	683295	Handle Bracket Assembly	5	17	1
610676	Key – Flywheel	3	*	1	92-3297	Oil – Sae 30 100ml Bottle	6	*	1
611061	Guide – Rope	4	15	1	92-3332	Decal – Hot Surface	5	22	1
611063	Tab – Ground	3	30	1	92-3450	Spool & Line Assembly	6	*	1
612021	Tube Closure	5	20	1					
612468	Spring – Compression	4	1	1					