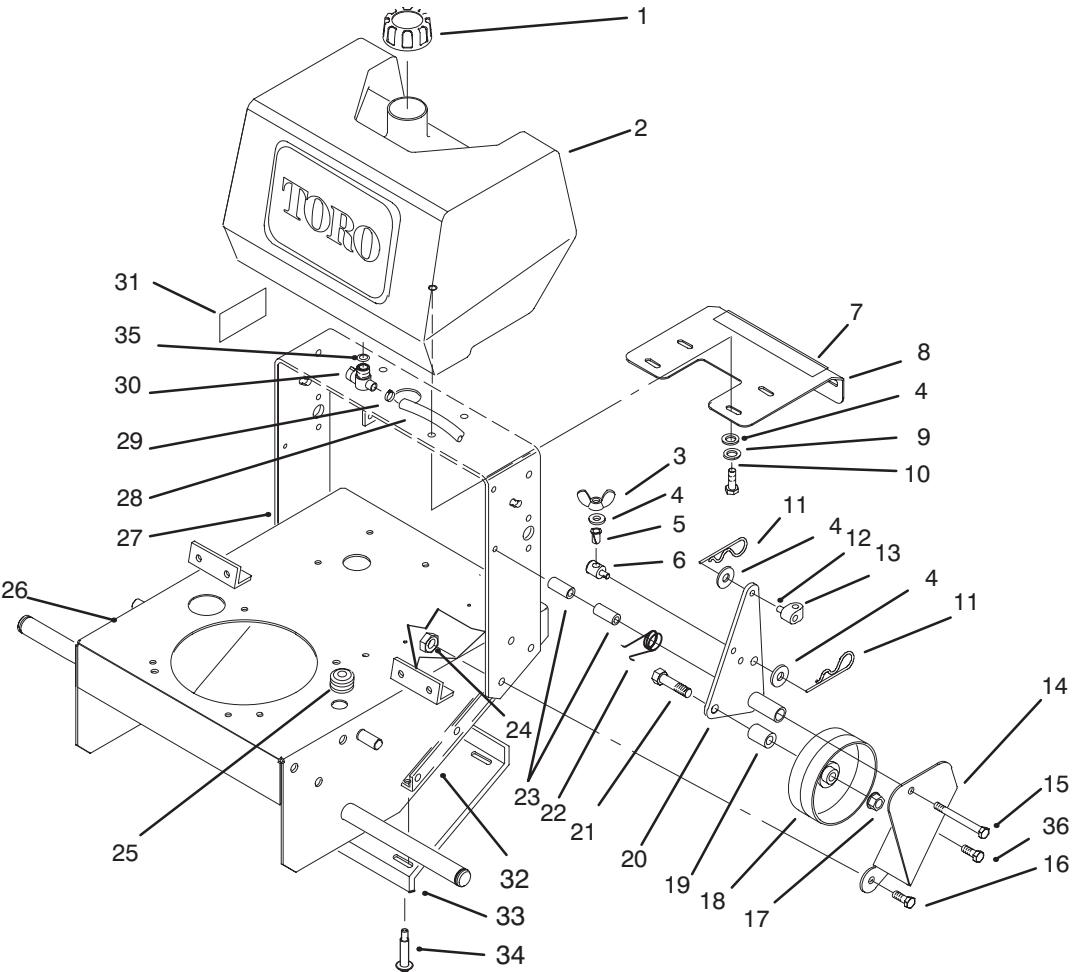




MODEL NO. 30165-690001 & UP

PARTS CATALOG

**ProLine® MIDSIZE TRACTION UNIT**  
12.5 HP Kawasaki Gear Drive



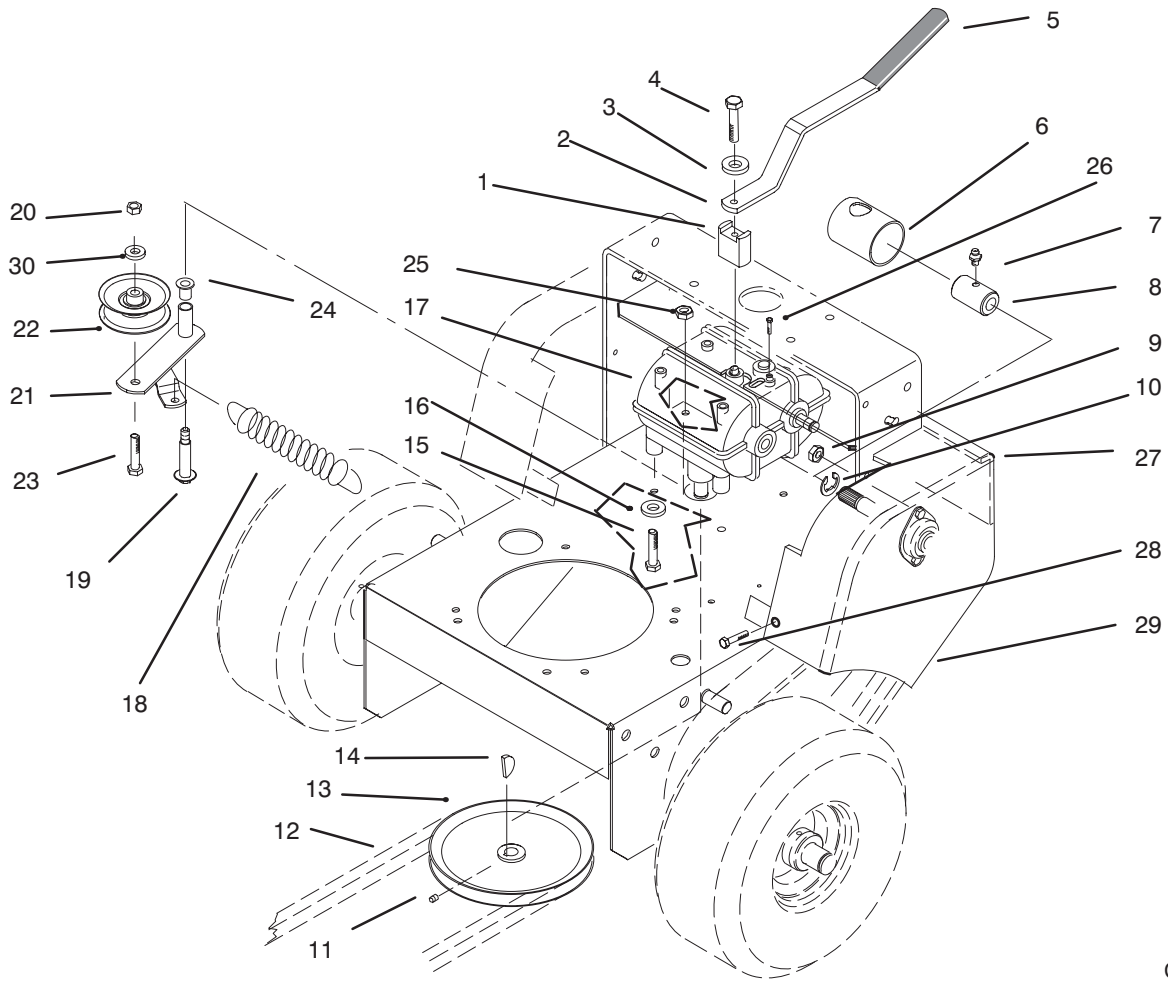
C-2151

**FRAME, FUEL TANK AND WHEEL DRIVE IDLER**

Ref. No.	Part No.	Description	No. Used
1	55-3570	Fuel Tank	1
2	82-8440	Tank - Fuel	1
3	32103-25	Nut - Wing	2
4	3256-23	Washer - Flat	9
5	52-2890	Bushing	2
6	68-9690	Fitting - Rod	2
7	93-7297	Decal - Ground Speed	1
8	66-7400	Plate - Control	1
9	3253-4	Washer - Lock	4
10	322-4	Screw - Hex. Hd.	4
11	3290-307	Pin - Cotter	4
12	283-6	Pin - Clevis	2
13	74-0521	Fitting - Rod	2
14	67-6380	Bracket - Support L.H.	1
*	67-6370	Bracket - Support R.H.	1
15	323-16	Screw - Hex. Hd.	2
16	323-7	Screw - Hex. Hd.	4
17	3296-23	Nut - Lock	2
18	51-4480	Idler - Wheel	2
19	51-4490	Spacer - Idler Wheel	2

Ref. No.	Part No.	Description	No. Used
20	74-0220	Idler - Bracket L.H.	1
*	74-0230	Idler - Bracket R.H.	1
21	51-4450	Screw - Leveler	2
22	51-4380	Spring - Torsion L.H.	1
*	51-4370	Spring - Torsion R.H.	1
23	74-0040	Spacer - Pivot Idler	4
24	3296-39	Nut - Lock	6
25	237-124	Grommet	1
26	93-7438	Frame	1
27	74-0360	Frame - Rear	1
28	47-2982	Hose - Fuel	1
29	2412-98	Clamp - Fuel line	1
30	74-0510	Valve - Fuel	1
31	93-9353	Decal - Fuel Shut Off	1
32	93-7436	Mount - Angle	2
33	93-7437	Panel - Bottom	1
34	12-3270	Screw - Hex. Hd.	4
35	237-7	"O"Ring	1
36	323-8	Screw - Hex. Hd.	2

\*Not Illustrated

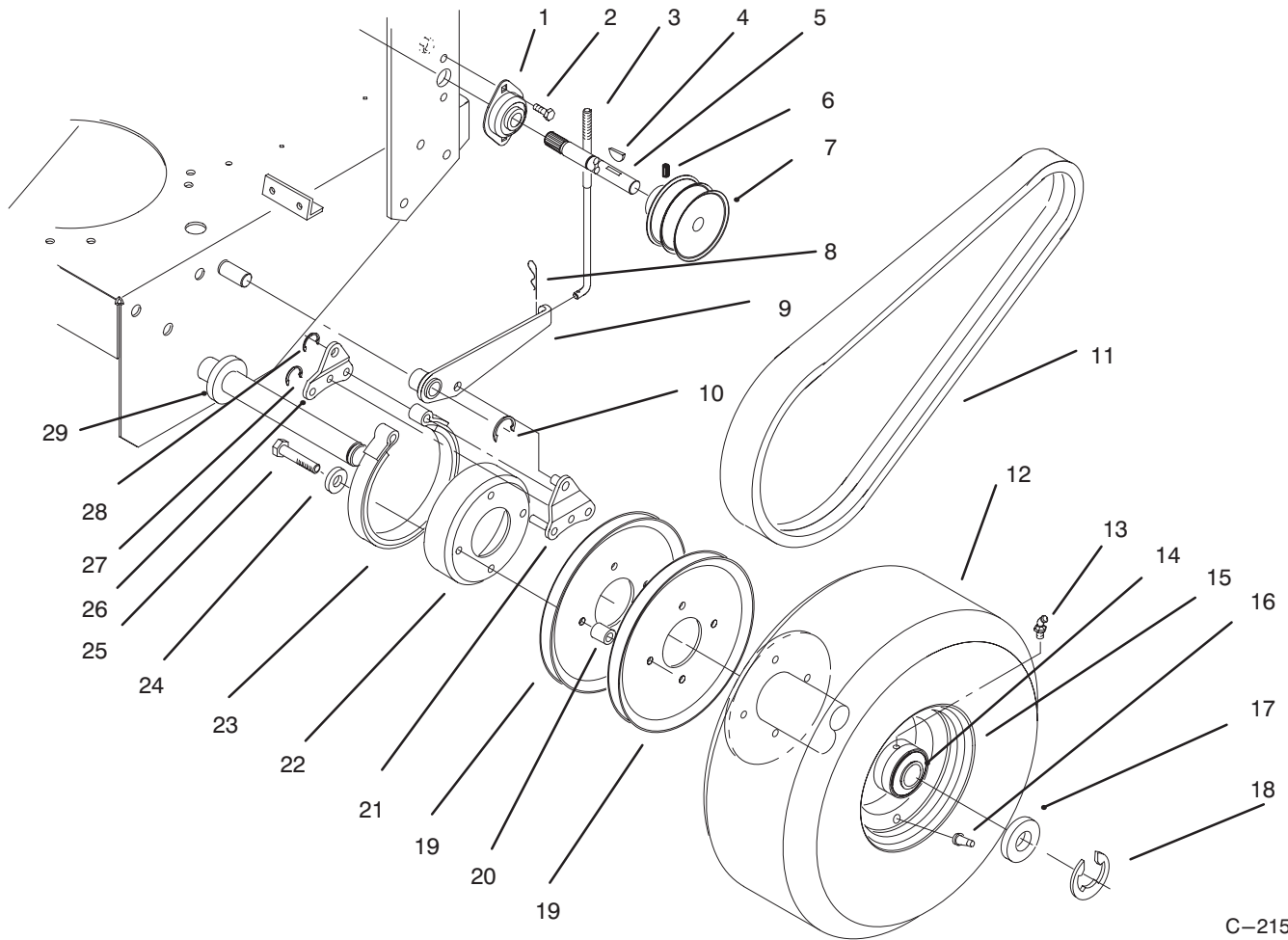


C-2152

## TRANSMISSION, IDLER, DRIVE PULLEYS & DRIVE BELT

Ref. No.	Part No.	Description	No. Used
1	72-2190	Mount - Shift Lever	1
2	74-0320	Lever - Shift	1
3	7-5461	Spacer	1
4	329-10	Screw - Hex. Hd.	1
5	47-1970	Grip - Engagement	1
6	51-4220	Guard - Coupler	2
7	302-5	Fitting - Grease	2
8	51-4260	Coupler	1
9	3296-42	Nut - Lock	4
10	32120-64	Ring - Retaining	3
11	3245-1	Screw - Socket Hd.	1
12	26-9671	Belt - Traction	1
13	51-4190	Pulley - Driven	1
15	322-2	Screw - Hex. Hd.	4
16	3253-4	Washer - Lock	4

Ref. No.	Part No.	Description	No. Used
17	74-0610	Transmission	1
18	68-2190	Spring - Extension	18
19	27-6230	Bolt	1
20	3296-39	Nut - Lock	1
21	82-4800	Lever - Idler (Incl. Ref.#24)	1
22	62-4540	Pulley - Idler	1
23	323-8	Screw - Hex. Hd.	1
24	256-155	Bushing	2
25	3296-6	Nut	1
26	32144-14	Screw - Hex. Hd.	2
27	93-7431	Guard - Transmission Shaft	1
28	12-3270	Screw - Hex. Hd.	6
29	93-7434	Guard - Belt, L.H.	1
*	93-7433	Guard - Belt, R.H.	1
30	3256-24	Washer	1

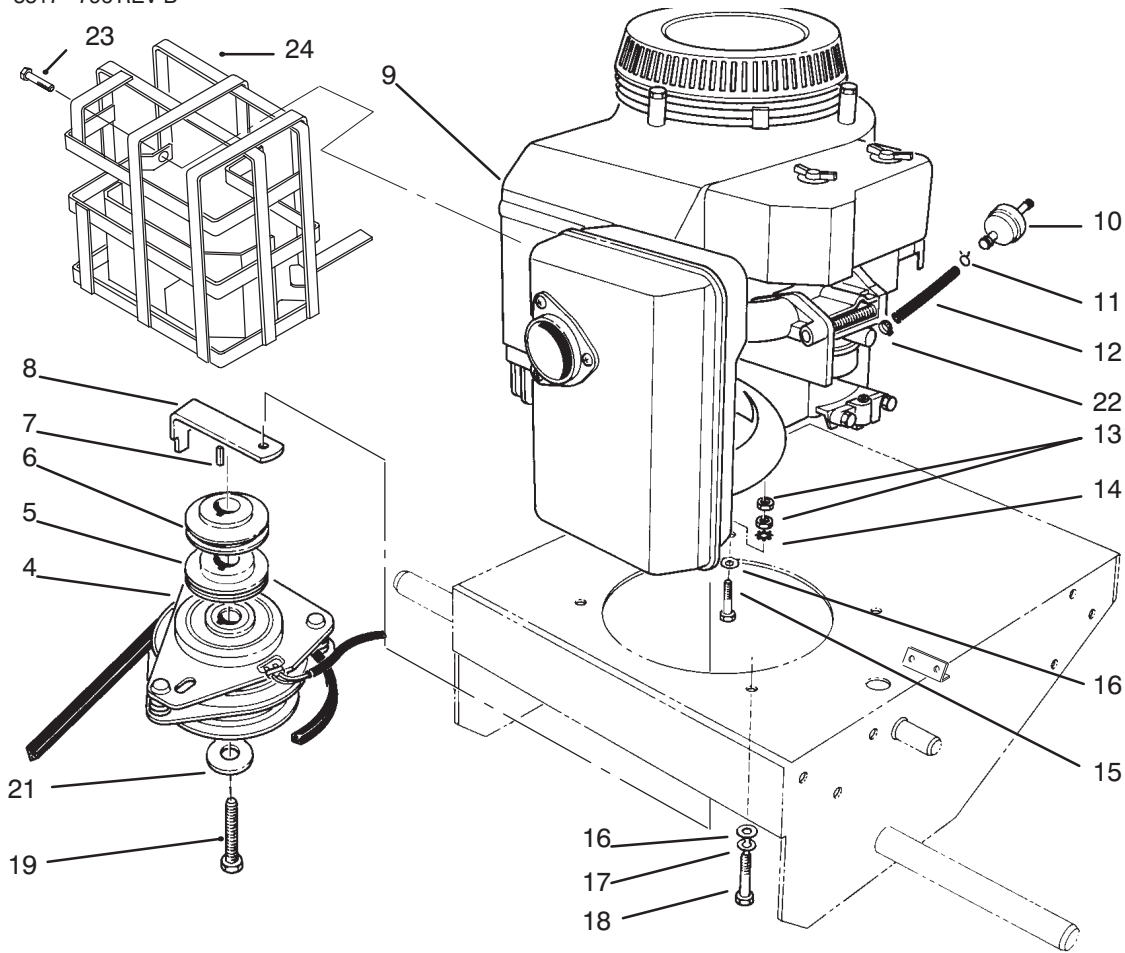


C-2153

## AXLE, BRAKE, WHEEL DRIVE AND BELTS

Ref. No.	Part No.	Description	No. Used	Ref. No.	Part No.	Description	No. Used
1	51-4270	Bearing – Shaft Extension	2	15	242-80	Rim	2
2	321-4	Screw – Hex. Hd.	4	16	232-27	Valve Stem	2
3	51-4580	Rod – Brake	2	17	10-8110	Washer – Flat	A/R
4	3257-5	Key – Woodruff	3	18	32151-91	Ring – Retaining	2
5	51-4240	Shaft – Extension R.H.	1	19	51-4160	Pulley – Wheel	4
*	51-4250	Shaft – Extension L.H.	1	20	51-4170	Spacer – Pulley	8
6	3245-3	Screw – Socket Hd. Set	2	21	51-4650	Link – Brake	2
7	74-0480	Pulley – Drive	2	22	51-4180	Drum – Brake	2
8	3290-307	Pin – Cotter	2	23	51-4700	Brake Band Assembly	2
9	51-4610	Brake Arm L.H.	1	24	3253-4	Washer – Lock	8
*	51-4600	Brake Arm R.H.	1	25	322-7	Screw – Hex. Hd.	8
10	32151-40	Ring – Retaining	2	26	51-4660	Plate – Link Brake	2
11	51-4290	Belt – Drive	2	27	32151-72	Ring – Retaining	4
12	231-111	Tire	2	28	32151-56	Ring – Retaining	2
13	302-11	Fitting – Grease	2	29	51-4230	Washer – Wheel	2
14	92-1746	Bearing	4				

\*Not Illustrated

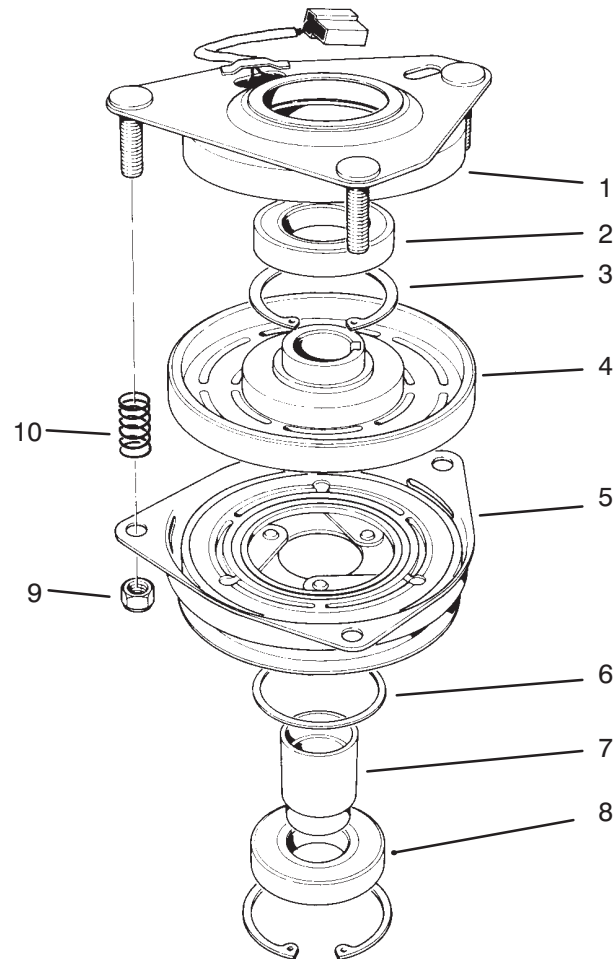


C-2099

## ENGINE & CLUTCH ASSEMBLY

Ref. No.	Part No.	Description	No. Used
4	54-3200	Clutch Brake Assembly	1
5	74-0050	Sheave - Lower Half	1
6	74-0060	Sheave - Upper Half	1
7	92-5436	Key	1
8	51-4540	Retainer - Clutch	1
9		Engine - Kawasaki Model FB460V Type KS08	1
10	56-6360	Fuel - Filter	1
11	2412-98	Clamp - Fuel Line	2
12	47-2982	Hose - Gas	1
13	57-6390	Nut	2
14	3255-8	Washer - External Tooth	1
15	57-6370	Screw - Hex. Hd.	1

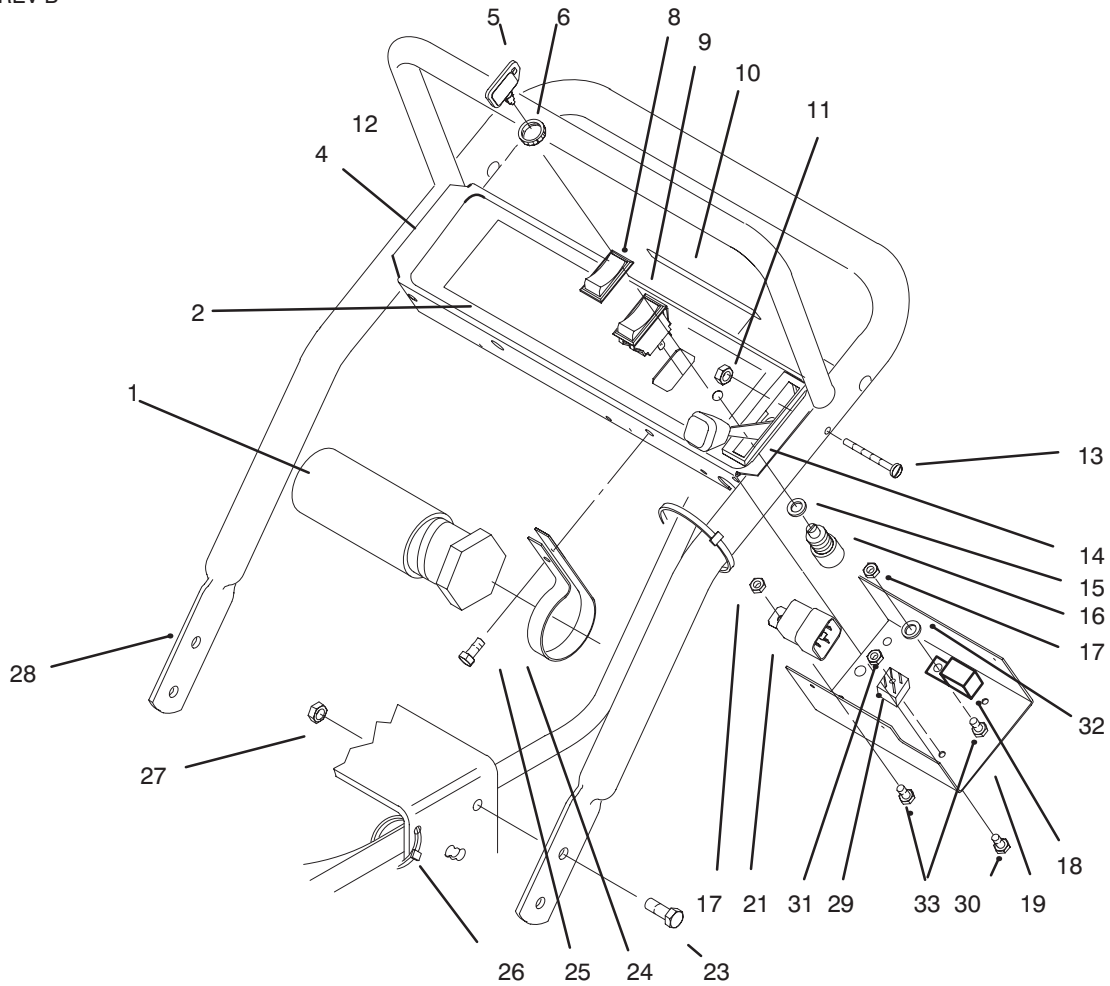
Ref. No.	Part No.	Description	No. Used
16	3256-23	Washer - Flat	3
17	3253-4	Washer - Lock	3
18	57-6380	Screw - Hex. Hd.	3
19	57-6360	Screw - Hex. Hd.	1
21	112843	Washer - Clutch	1
22	2412-108	Clamp - Hose	1
23		Screw - Hex. Hd. (Engine)	
24	94-1295	Guard - Muffler Asm.	1
*	54-2750	V-Belt - Deck Drive (36" & 44" Cutting Units)	1
*	55-7660	V-Belt - Deck Drive (52" Cutting Unit)	1



T-0080

## CLUTCH ASSEMBLY NO. 54-3200

Ref. No.	Part No.	Description	No. Used	Ref. No.	Part No.	Description	No. Used
1	54-0230	Field Assembly (Incl. Ref. # 2 & 3)	1	6	44-8330	Spacer - Pulley Bearing	1
2	251-292	Bearing - Field	1	7	44-8340	Collar - Bearing	1
3	44-8310	Ring - Retaining	2	8	251-291	Bearing - Pulley	1
4	44-8360	Field Coil, Rotor & Bearing Assembly (Incl. Ref. # 1)	1	9	3296-5	Nut - Lock	3
5	55-7410	Armature & Pulley Assembly (Incl. Ref. # 3, 6, 7, & 8)	1	10	44-8320	Spring	3

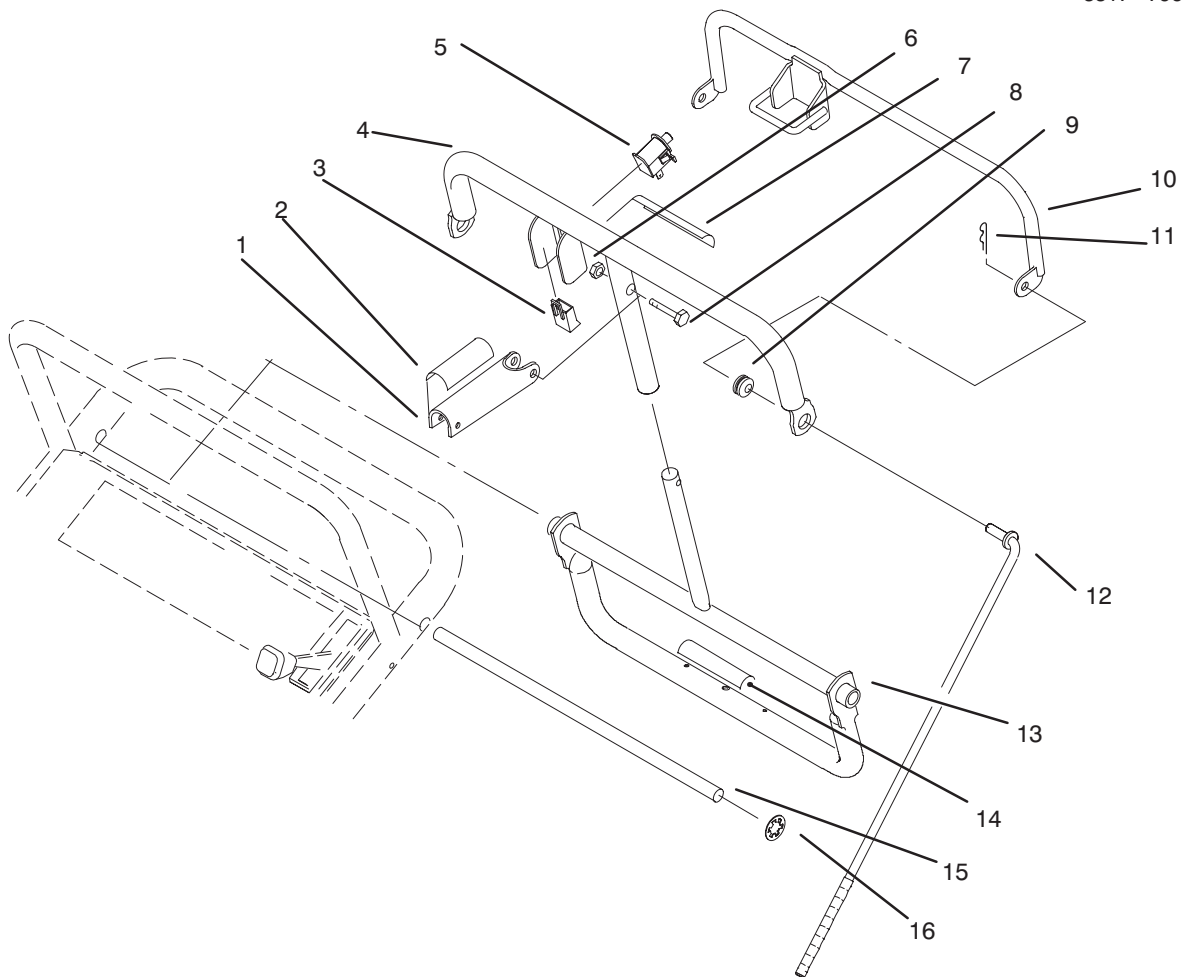


C-2155

# HANDLE ASSEMBLY

Ref. No.	Part No.	Description	No. Used
1	74-0720	Tube - Manual	1
2	93-7295	Decal - Proline	1
4	82-2180	Panel - Control	1
5	63-8360	Key	2
6	218-461	Nut	1
8	82-3820	Boot	1
9	82-2300	Switch - Clutch (Incl. Ref.#8)	1
10	93-6657	Decal - Danger	1
11	3296-2	Nut - Lock	4
13	32105-14	Screw - Hex. Hd. Machine	4
14	74-0740	Control - Throttle	1
15	3254-5	Washer - Lock	1
16	29-5560	Switch - Ignition (Incl. Ref. #5,6, &15)	1

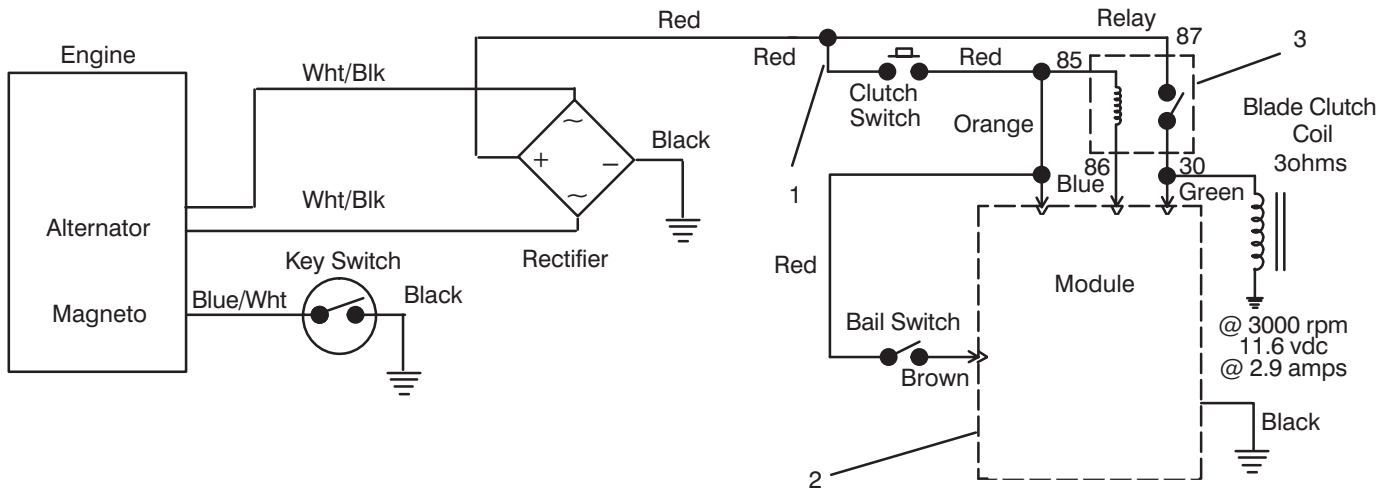
Ref. No.	Part No.	Description	No. Used
17	3296-42	Nut - Hex	3
18	86-7910	Module - Interlock	1
19	57-5811	Panel - Bottom	1
21	63-7590	Relay	1
23	3234-11	Screw - Hex. Hd.	4
24	2412-120	"R" Clamp	2
25	32144-19	Screw - Self Tapping	4
26	3290-378	Cable Tie	3
27	32128-21	Nut - Lock	4
28	67-6440	Handle - Upper	1
29	37-7600	Bridge - Rectifier	1
30	32105-13	Screw	1
31	3296-2	Nut	1
32	3255-7	Washer	1
33	321-2	Screw	2



C-2156

## HANDLE ASSEMBLY (Continued)

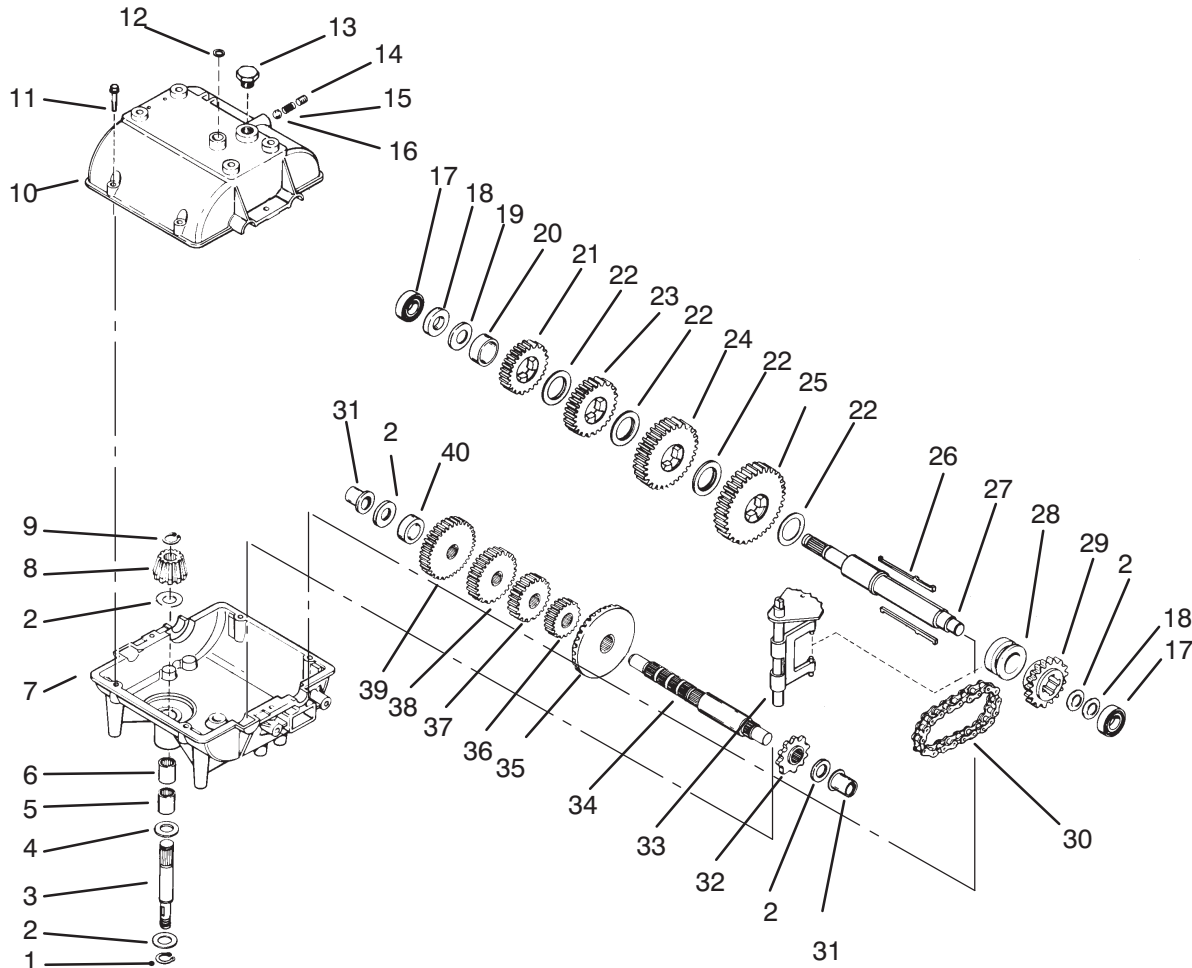
Ref. No.	Part No.	Description	No. Used	Ref. No.	Part No.	Description	No. Used
1	51-4850	Lever - Parking Brake	1	9	237-141	Grommet - Rubber	2
2	93-7442	Decal - Parking Brake	1	10	82-7680	Bail Assembly	1
3	218-595	Connector - Body	1	11	3290-307	Pin - Cotter	2
4	82-7690	Bar - Control	1	12	82-7631	Rod - Control	2
5	82-2190	Switch - Bail	1	13	74-0380	Control - Pivot	1
6	3296-2	Nut - Lock	5	14	93-7299	Decal - Reverse Handle	1
7	93-7298	Decal - Control Bar	1	15	74-0470	Rod - Pivot	1
8	32105-1	Screw - Hex. Hd. Machine	1	16	32151-80	Ring - Push On	2



## ELECTRIC SCHEMATIC

Ref. No.	Part No.	Description	No. Used
1	82-2240	Wire Harness	1
2	86-7910	Module - Interlock	1

Ref. No.	Part No.	Description	No. Used
3	63-7590	Relay	1

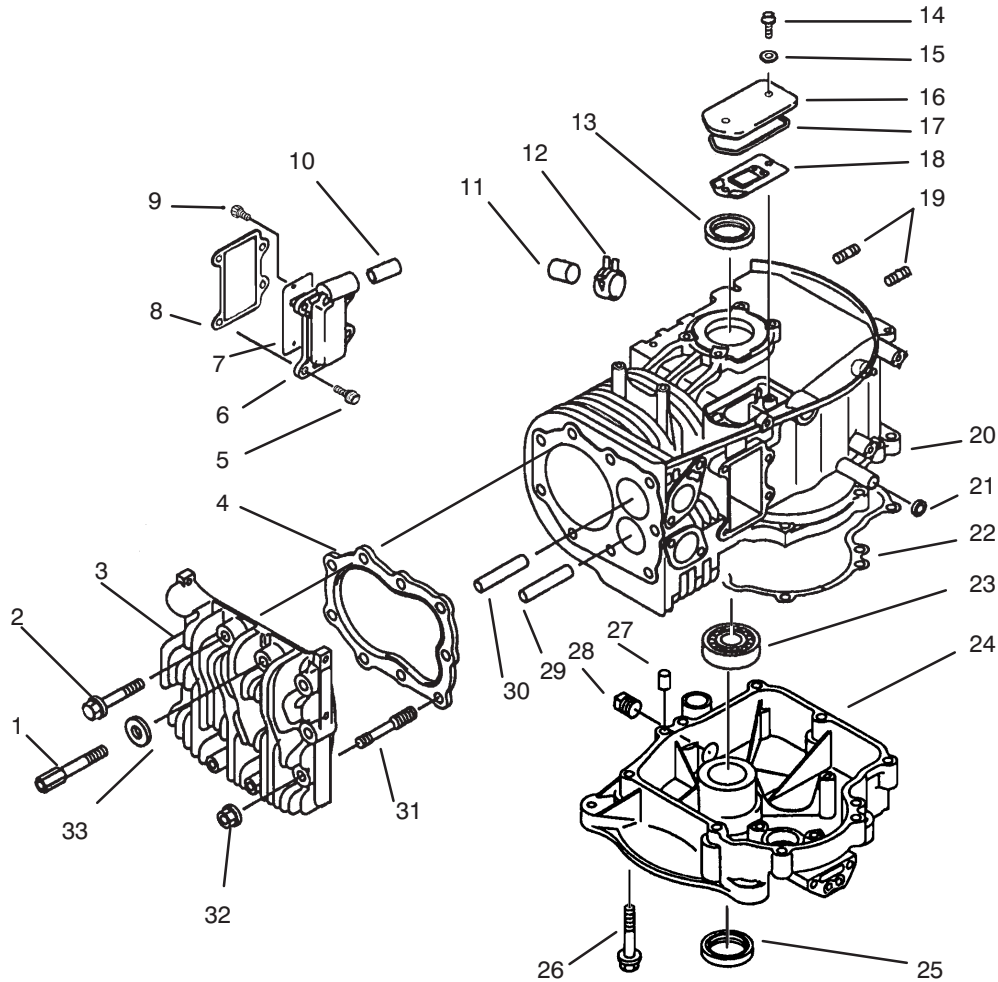


C-1776

## PEERLESS TRANSMISSION MODEL 700-039

Ref. No.	Part No.	Description	No. Used
1	792035	Ring – Retaining	1
2	780072	Washer – Thrust	5
3	776135	Shaft – Input	1
4	792001	”O”Ring	2
5	780142	Bearing – Needle	1
6	780086	Bearing – Needle	1
7	770090A	Case – Transmission	1
8	778153	Bevel Pinion – Input	1
9	788040	Ring – Retaining	1
10	772099A	Cover – Transmission	1
11	792073	Screw – Self Tapping	6
12	788069	Seal – Square Cut	1
13	792074	Plug – Threaded	1
14	792078	Screw – Set	1
15	792079	Spring	1
16	792077	Ball – Steel	1
17	780092	Bearing – Ball	2
18	780065	Washer – Thrust	2
19	780139	Washer – Thrust	1
20	786072	Spacer	1
21	778123A	Gear – Spur (25 Teeth)	1

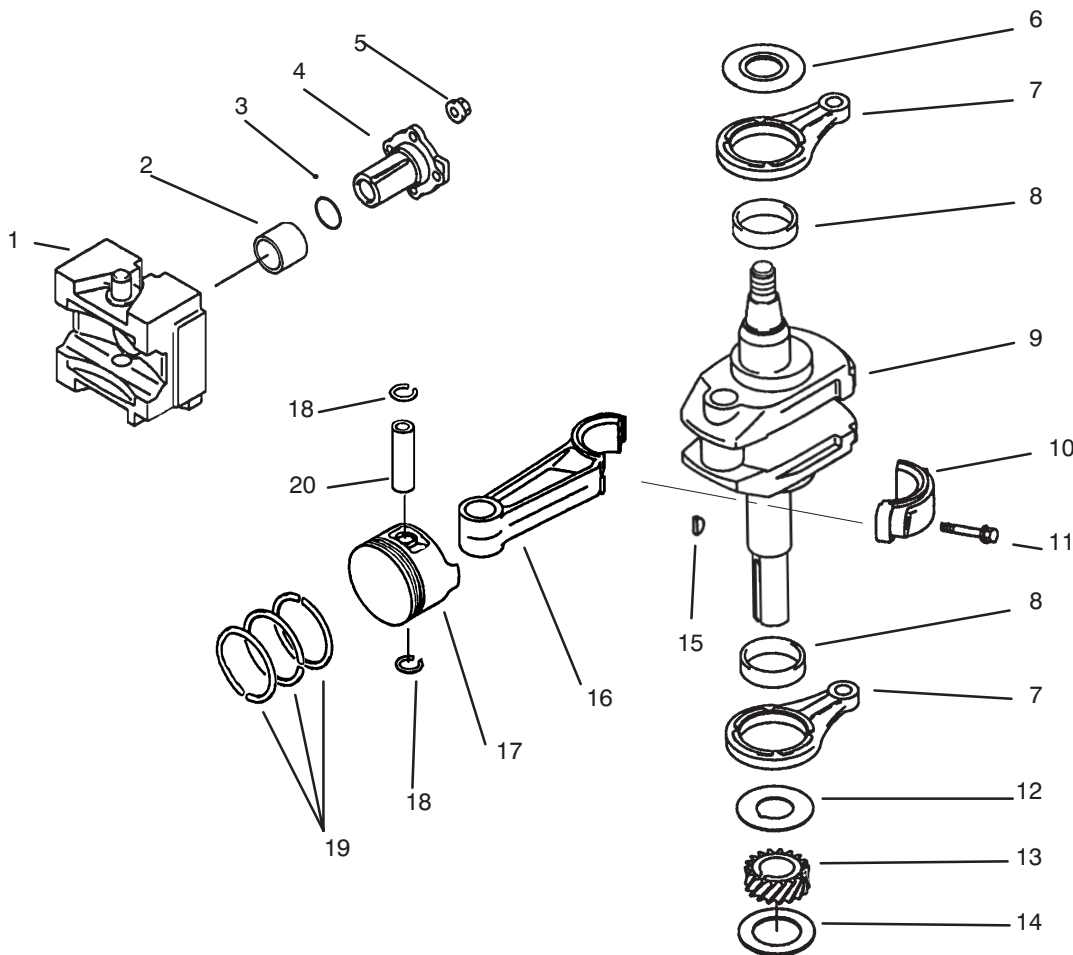
Ref. No.	Part No.	Description	No. Used
22	780108	Washer – Thrust	4
23	778250	Gear – Spur (27 Teeth)	1
24	778124A	Gear – Spur (30 Teeth)	1
25	778125	Gear – Spur (35 Teeth)	1
26	792089A	Key	4
27	776289A	Shaft – Output & Brake	1
28	784266	Collar – Shift	1
29	786083	Sprocket (18 Teeth)	1
30	786081	Chain – Roller (No. 41 Chain 24 Links)	1
31	780105A	Bushing – Flanged	2
32	786082	Sprocket (9 Teeth)	1
33	784267	Rod & Fork Ass’y – Shift	1
34	776134	Shaft – Counter	1
35	778154	Gear – Bevel (42Teeth)	1
36	778136	Gear – Spur (15 Teeth)	1
37	778126A	Gear – Spur (20 Teeth)	1
38	778249	Gear – Spur (23 Teeth)	1
39	778127A	Gear – Spur (25 Teeth)	1
40	786071	Spacer	1



## CRANKCASE

Ref. No.	Part No.	Description	No. Used
1	92002-2258	Bolt	2
2	130G1055	Bolt - Flanged	4
3	11001-2151	Head - Cylinder	1
4	11004-2091	Gasket - Head	1
5	130G0616	Bolt - Flanged	4
6	49108-2011	Cover - Valve Chamber	1
7	14025-2143	Cover	1
8	11060-2059	Gasket	1
9	92009-2307	Screw	2
10	92059-2142	Tube - 10 x 14 x 29-1/2	1
11	92066-2096	Plug	1
12	92170-2088	Clamp	1
13	92049-2096	Seal - Oil	1
14	92002-2087	Bolt	2
15	11060-2323	Gasket	2
16	14025-2040	Cover - Breather	1
17	11009-2339	Gasket - Cover	1

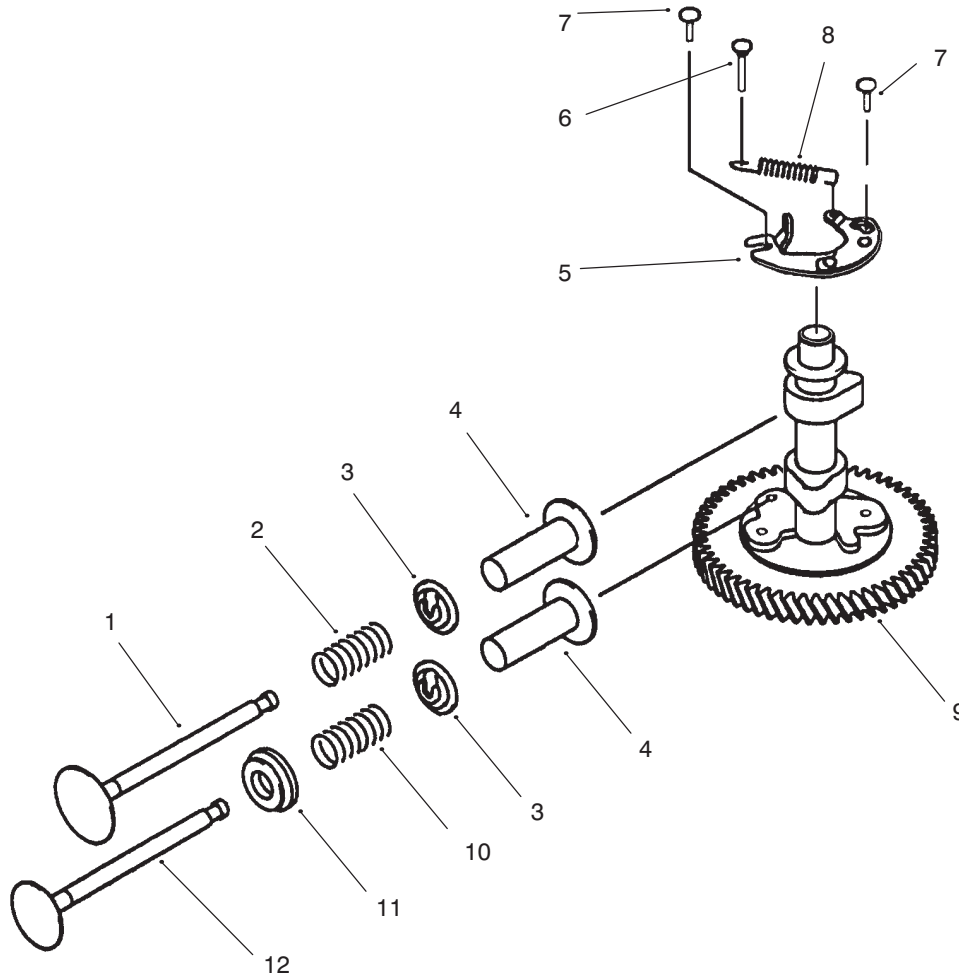
Ref. No.	Part No.	Description	No. Used
18	14069-2062	Breather	1
19	92004-2083	Stud - 6 x 14	4
20	49120-6108	Crankcase - Complete (Incl. Ref. #29, 30)	1
21	92049-2097	Seal - Oil	1
22	11060-2015	Gasket - Crankcase	1
23	601A6207	Bearing - Ball	1
24	49015-6176	Cover - Crankcase	1
25	92049-2227	Seal - Oil	1
26	130G0845	Bolt - Flanged	8
27	92043-1263	Pin	2
28	92066-2097	Plug	1
29	49002-2071	Guide - Valve, Exhaust	1
30	49002-2070	Guide - Valve, Intake	1
31	92004-2082	Stud	3
32	92015-2115	Nut - 10 MM	3
33	410B1000	W-Plain-S	2



## PISTON / CRANKSHAFT

Ref. No.	Part No.	Description	No. Used
1	13042-6006	Weight (Incl. Ref. # 2)	1
2	92141-2097	Bearing - Plane	1
3	92055-2072	Ring-O	1
4	13107-2253	Shaft	1
5	92015-1193	Nut	4
6	92026-2164	Spacer	1
7	46102-6007	Rod (Incl. Ref. #8)	2
8	92141-2108	Bearing - Plane	2
9	49119-2177	Crankshaft - Assembly	1
10		Cap - Rod	1
11	92150-2193	Bolt	2
12	92026-2156	Spacer	1
13	59056-2105	Gear - Helical	1
14	92025-2145	Shim, T=1.18	A/R
	92025-2146	Shim, T=1.25	A/R
	92025-2147	Shim, T=1.32	A/R
	92025-2148	Shim, T=1.39	A/R
	92025-2149	Shim, T=1.46	A/R
	92025-2150	Shim, T=1.53	A/R

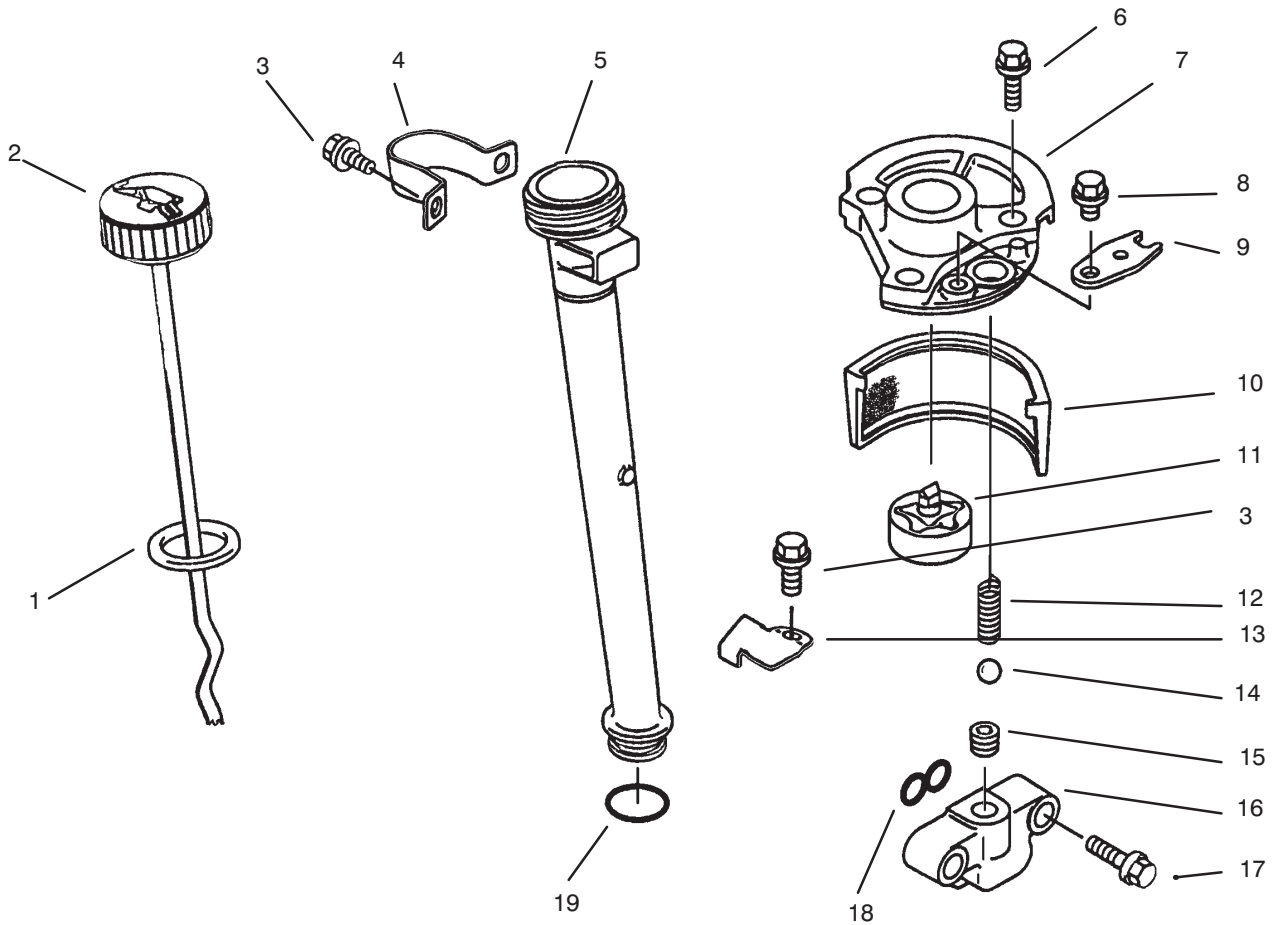
Ref. No.	Part No.	Description	No. Used
	92025-2151	Shim, T=1.60	A/R
	92025-2152	Shim, T=1.67	A/R
	92025-2153	Shim, T=1.74	A/R
*	92180-2015	Shim, T=1.11	A/R
*	92180-2016	Shim, T=1.81	A/R
15	92038-2094	Key	1
16	13251-6005	Rod - Assy., Connecting (Incl. Ref. #10 & 11)	1
	13251-6007	Rod - Assy. Connecting U/S=0.50 (Incl. Ref. #10 7 11)	A/R
17	13001-2084	Piston - Engine	1
*	13029-2019	Piston - Engine L 0.25	A/R
*	13029-2020	Piston - Engine L 0.50	A/R
18	92033-2066	Ring - Snap	
19	13008-6001	Ring - Set, Piston	1
*	13008-6002	Ring - Set, Piston L 0.25	A/R
*	13008-6003	Ring - Set, Piston L 0.50	A/R
20	13002-2066	Pin - Piston	1



**VALVE / CAMSHAFT**

Ref. No.	Part No.	Description	No. Used
1	12004-2076	Valve - Intake	1
2	49078-2059	Spring - Engine Valve	1
3	39108-2054	Retainer - Spring	2
4	12032-2058	Tappet	2
5	21118-2068	Decompressor	1
6	92043-2167	Pin	1
7	92043-2113	Pin	2

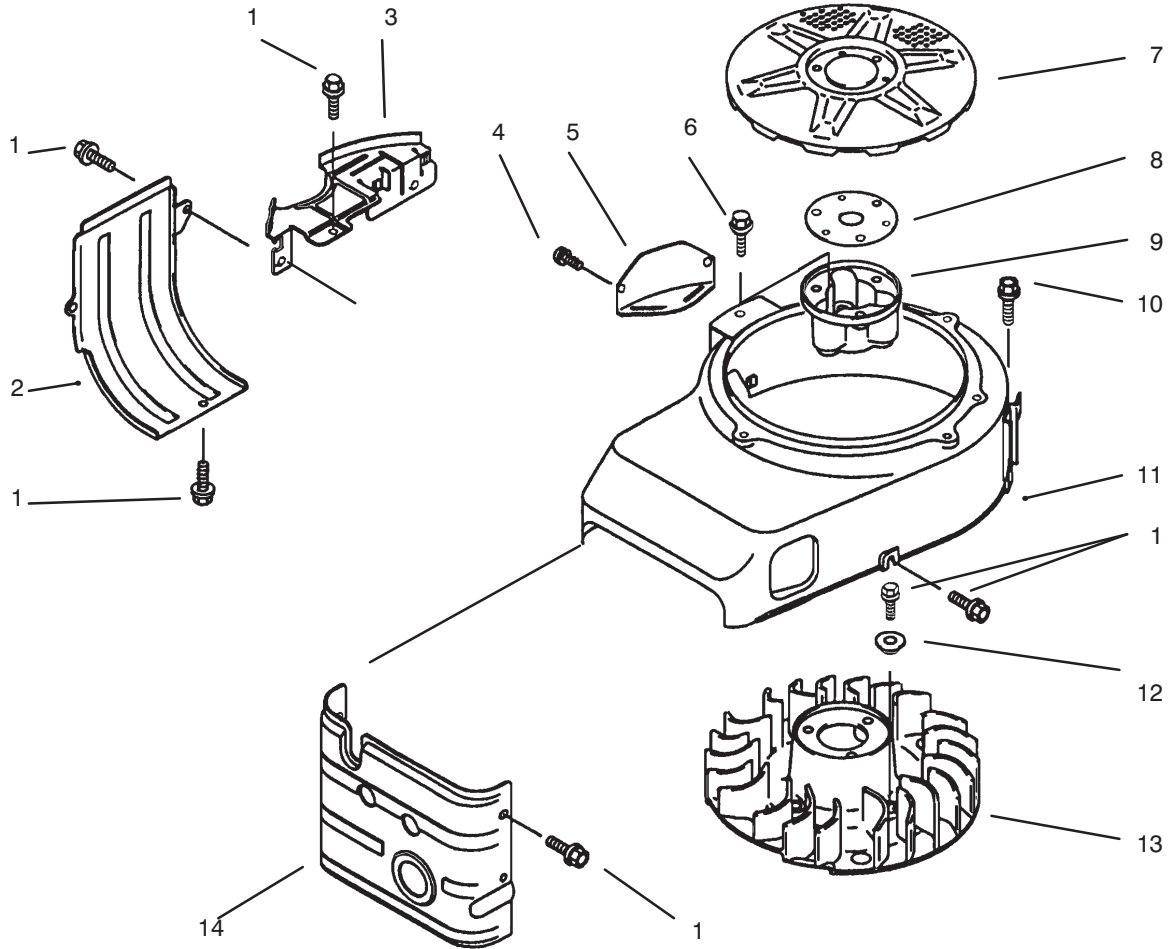
Ref. No.	Part No.	Description	No. Used
8	92144-2171	Spring	1
9	49118-2134	Camshaft - Complete (Incl. Ref. #5-8)	1
10	49078-2058	Spring - Engine Valve	1
11	12039-2052	Rotator	1
12	12005-2066	Valve - Exhaust	1



## LUBRICATION EQUIPMENT

Ref. No.	Part No.	Description	No. Used
1	11009-2346	Gasket – Oil Gauge	1
2	52005-2058	Gauge – Oil	1
3	130B0508	Bolt – Flanged	3
4	92170-2014-9H	Clamp	1
5	59231-2059	Filler	1
6	130G0825	Bolt – Flanged	3
7	16142-6001	Cover – Pump	1
8	130B0610	Bolt – Flanged	1
9	13270-2054	Plate	1
10	49065-2056	Filter – Oil	1

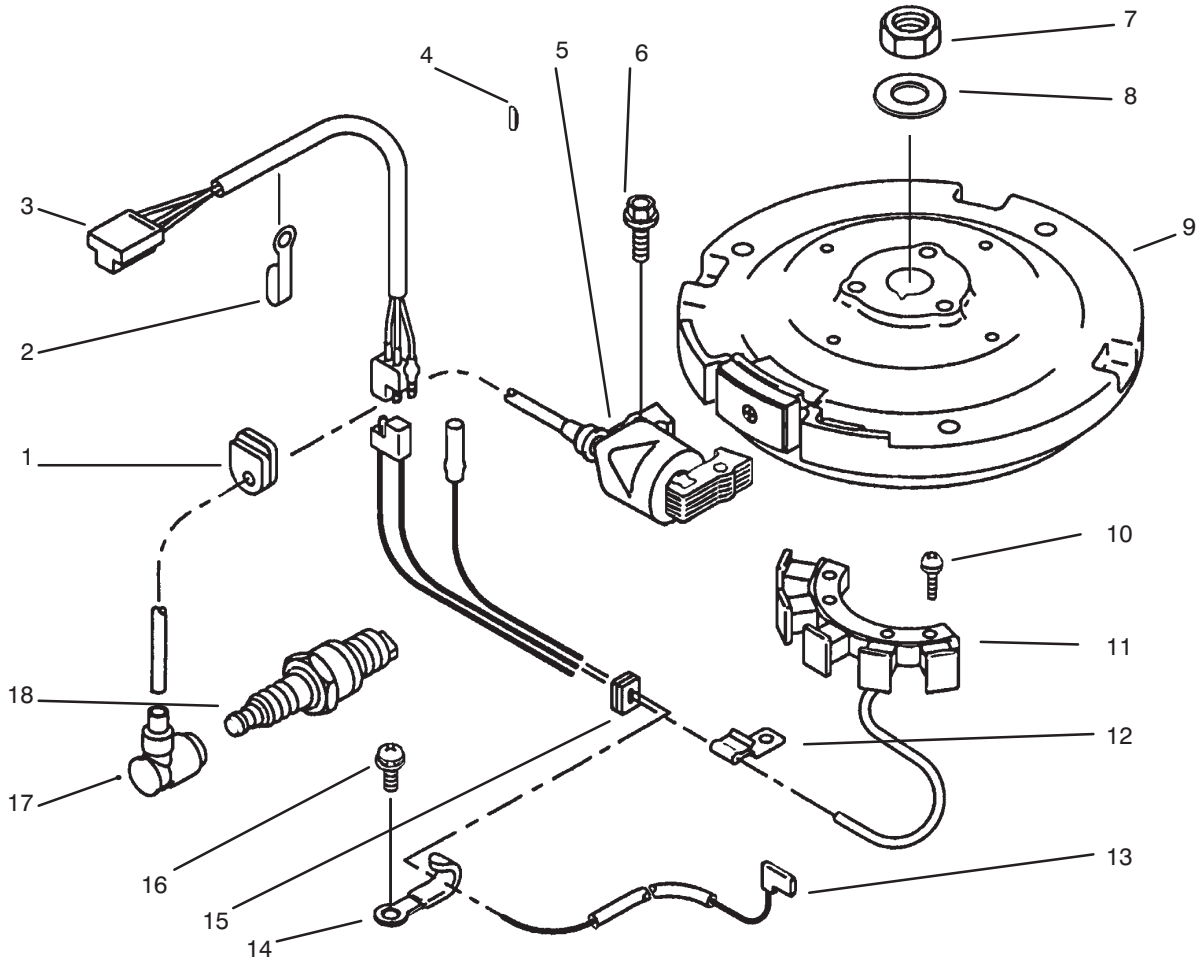
Ref. No.	Part No.	Description	No. Used
11	16082-2057	Pump – Assembly, Oil	1
12	92081-2216	Spring	1
13	13169-2359	Plate	1
14	600A1000	Ball – Steel	1
15	92066-2211	Plug	1
16	14025-2145	Cover	1
17	130B0830	Bolt – Flanged	2
18	92055-2063	Ring-O	1
19	670D2016	Ring-O	1



### COOLING EQUIPMENT

Ref. No.	Part No.	Description	No. Used
1	130G0610	Bolt – Flanged	9
2	49089-2199-9H	Shroud – Engine	1
3	59066-2295-9H	Housing – Fan	1
4	234B0408	Screw – Pan-WSP	2
5	14024-2038-9H	Cover	1
6	130B0820	Bolt – Flanged	3
7	14037-2104-9H	Screen	1

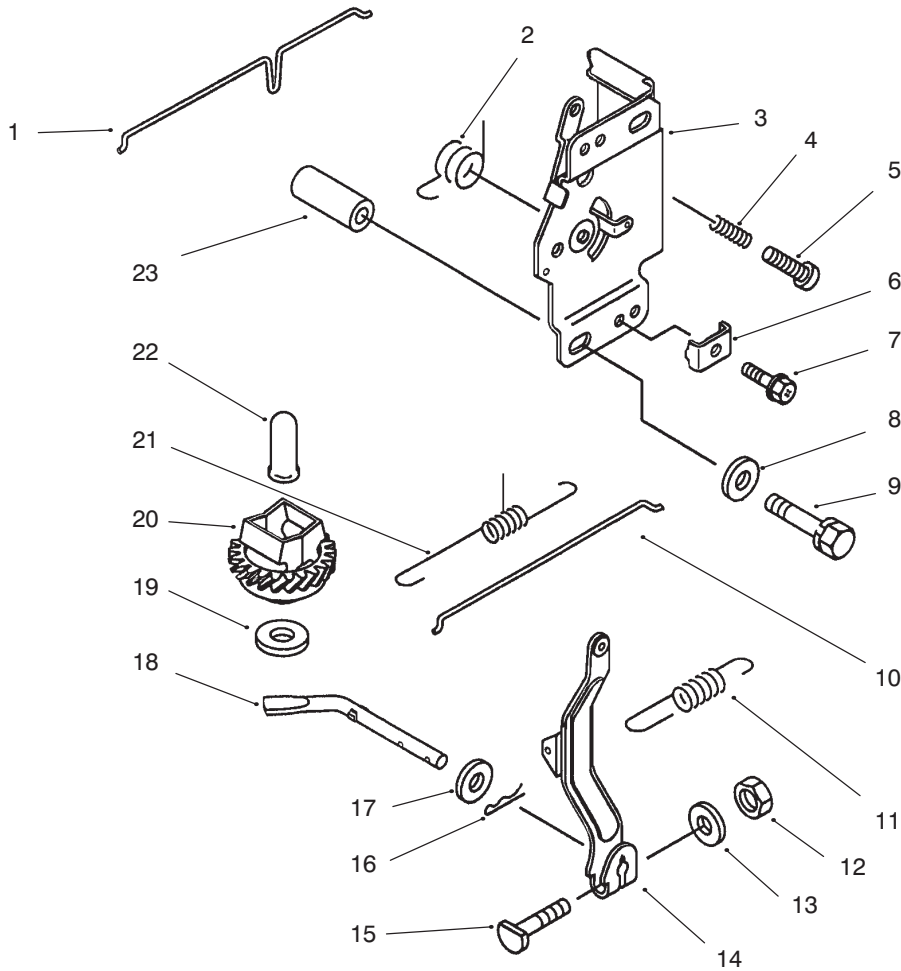
Ref. No.	Part No.	Description	No. Used
8	92025-2003	Shim, T=1.20	AR
9	11044-2084	Bracket	1
10	130G0614	Bolt – Flanged	6
11	59066-2677-9H	Housing – Fan	1
12	92143-2179	Collar	4
13	59041-2081	Fan	1
14	49089-2181-9H	Shroud – Engine	1



## ELECTRIC EQUIPMENT

Ref. No.	Part No.	Description	No. Used
1	92071-2100	Grommet	1
2	92037-2063	Clamp	1
3	26001-2113	Harness	1
4	92038-2094	Key	1
5	21121-2086	Coil - Ignition	1
6	130B0520	Bolt - Flanged	2
7	314G1800	Nut - Hex, Fine	1
8	92022-2178	Washer	1
9	21194-2323	Flywheel	1

Ref. No.	Part No.	Description	No. Used
10	224B0620	Screw - Pan	2
11	59031-2106	Coil - Charging	1
12	92037-2158	Clamp	1
13	26011-2329	Wire - Lead	1
14	92170-2029	Clamp	1
15	92071-2099	Grommet	1
16	234B0408	Screw - Pan	1
17	21130-2060	Cap - Spark Plug	1
18	92070-2101	Plug - Spark, RCJ8	1



## CONTROL EQUIPMENT

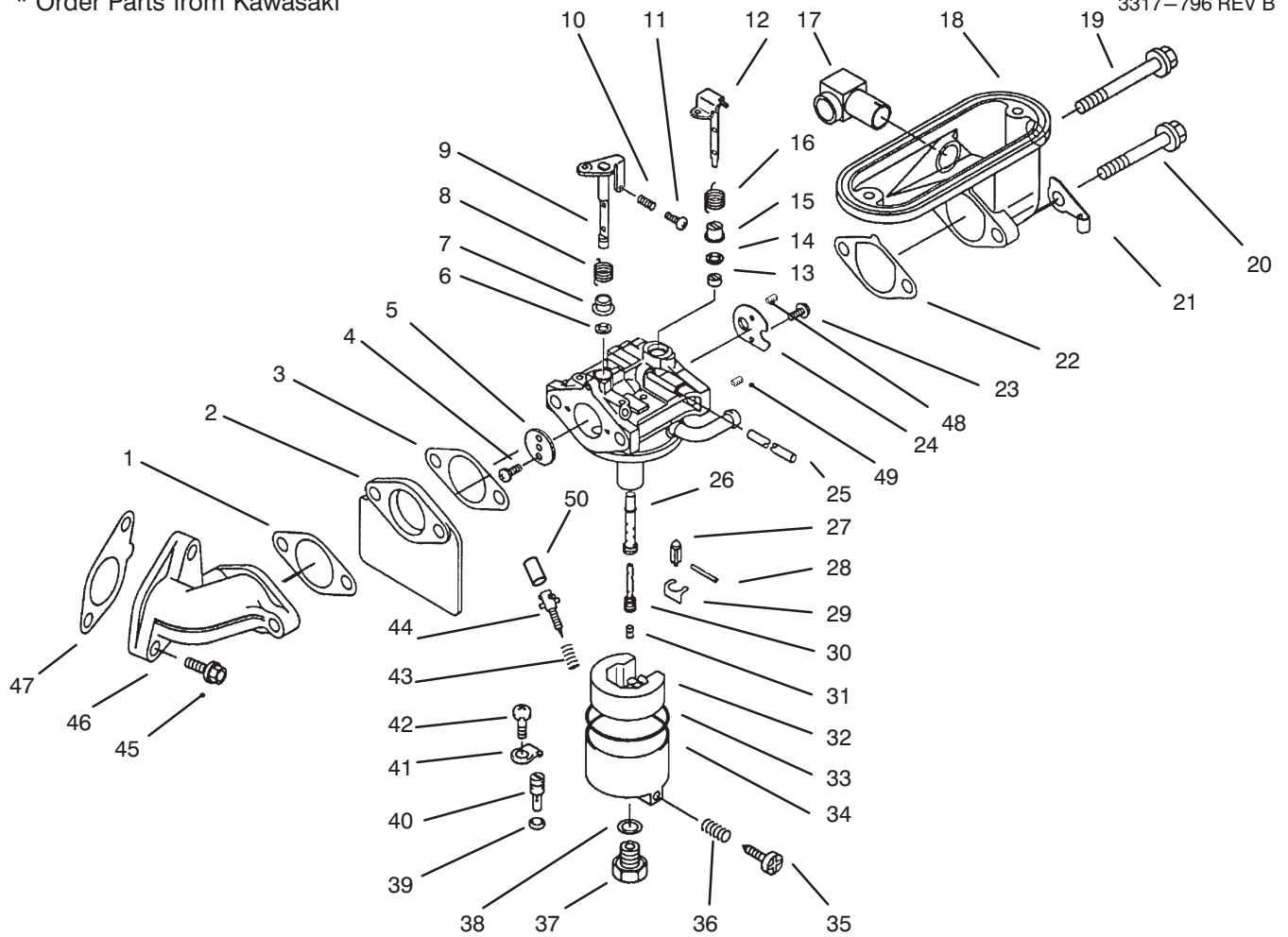
Ref. No.	Part No.	Description	No. Used
1	16169-2126	Link - Choke	1
2	92081-2316	Spring	1
3	49113-2067	Panel - Comp. Control (Incl. Ref. # 2, & 4-7)	1
4	92144-2266	Spring	1
5	214B0425	Screw - Pan	1
6	92037-2020	Clamp	1
7	92150-2182	Bolt - 5 x 8	1
8	92200-2070	Washer	2
9	180B0650	Bolt - Upset-Ws	2
10	16171-2083	Link	1
11	39129-2010	Spring - Governor	1

Ref. No.	Part No.	Description	No. Used
12	311B0600	Nut - Hex	1
13	411B0600	Washer - Plain	1
14	21187-2052	Arm - Assembly	1
15	92002-2269	Bolt	1
16	554A0600	Pin - Snap	1
17	92200-2029	Washer	1
18	39003-2072	Arm - Pivot	1
19	92200-2036	Washer	1
20	49110-2067	Governor - Assembly	1
21	92081-2213	Spring	1
22	42036-2060	Sleeve	1
23	92027-2071	Collar	2

# Kawasaki Model FB460V Type KS08

\* Order Parts from Kawasaki

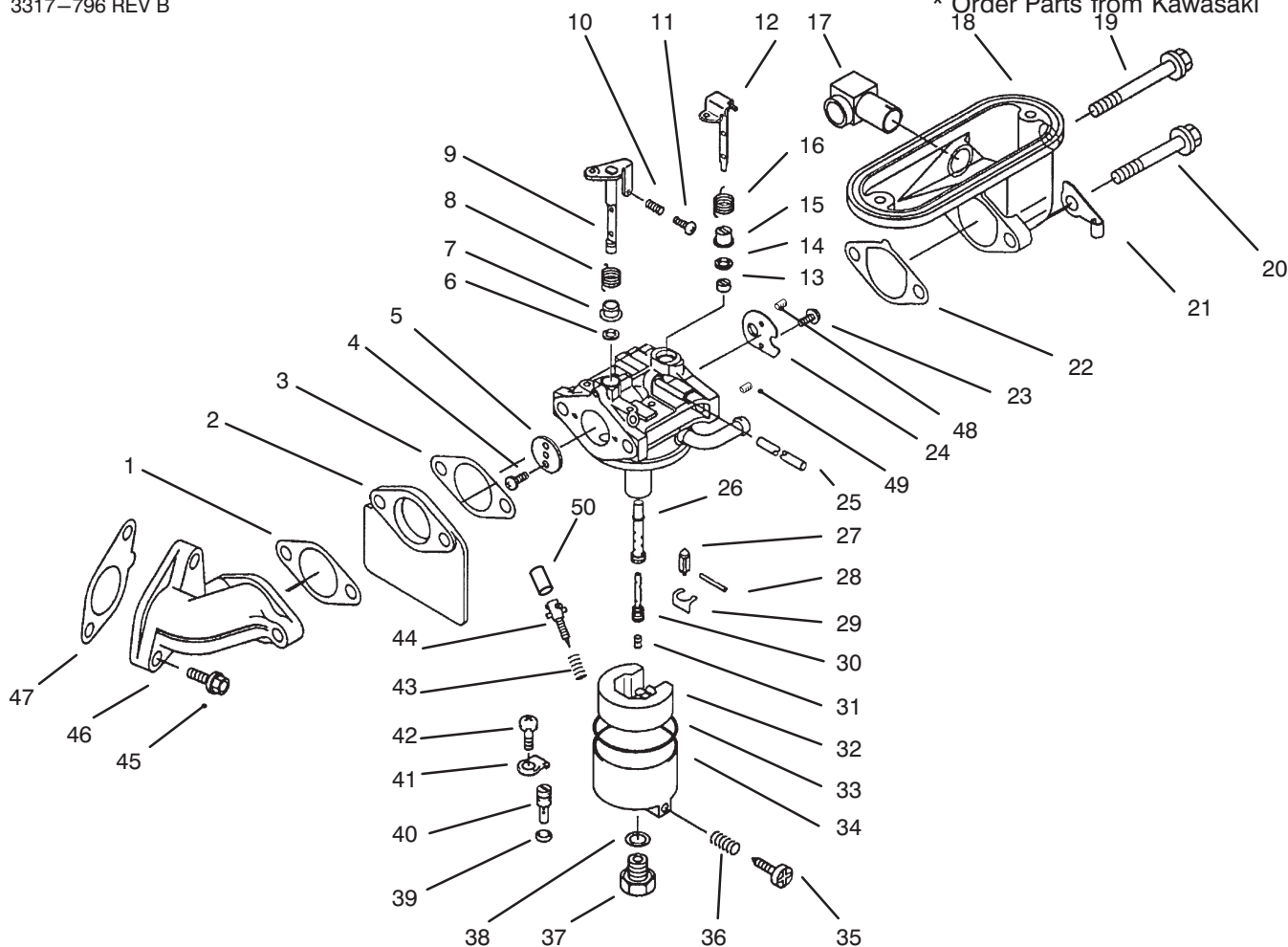
3317-796 REV B



## CARBURETOR

Ref. No.	Part No.	Description	No. Used
1	11060-2338	Gasket - Intake Pipe	1
2	16073-2091	Insulator	1
3	11060-2339	Gasket - Carburetor	2
4	92009-2080	Screw	2
5	16025-2141	Valve - Throttle, #110	1
6	92093-2082	Seal	1
7	92027-2025	Collar	1
8	92081-2077	Spring	1
9	16041-2009	Shaft - Throttle	1
10	92081-2046	Spring	1
11	92009-2079	Screw	1
12	16041-2010	Shaft - Choke	1

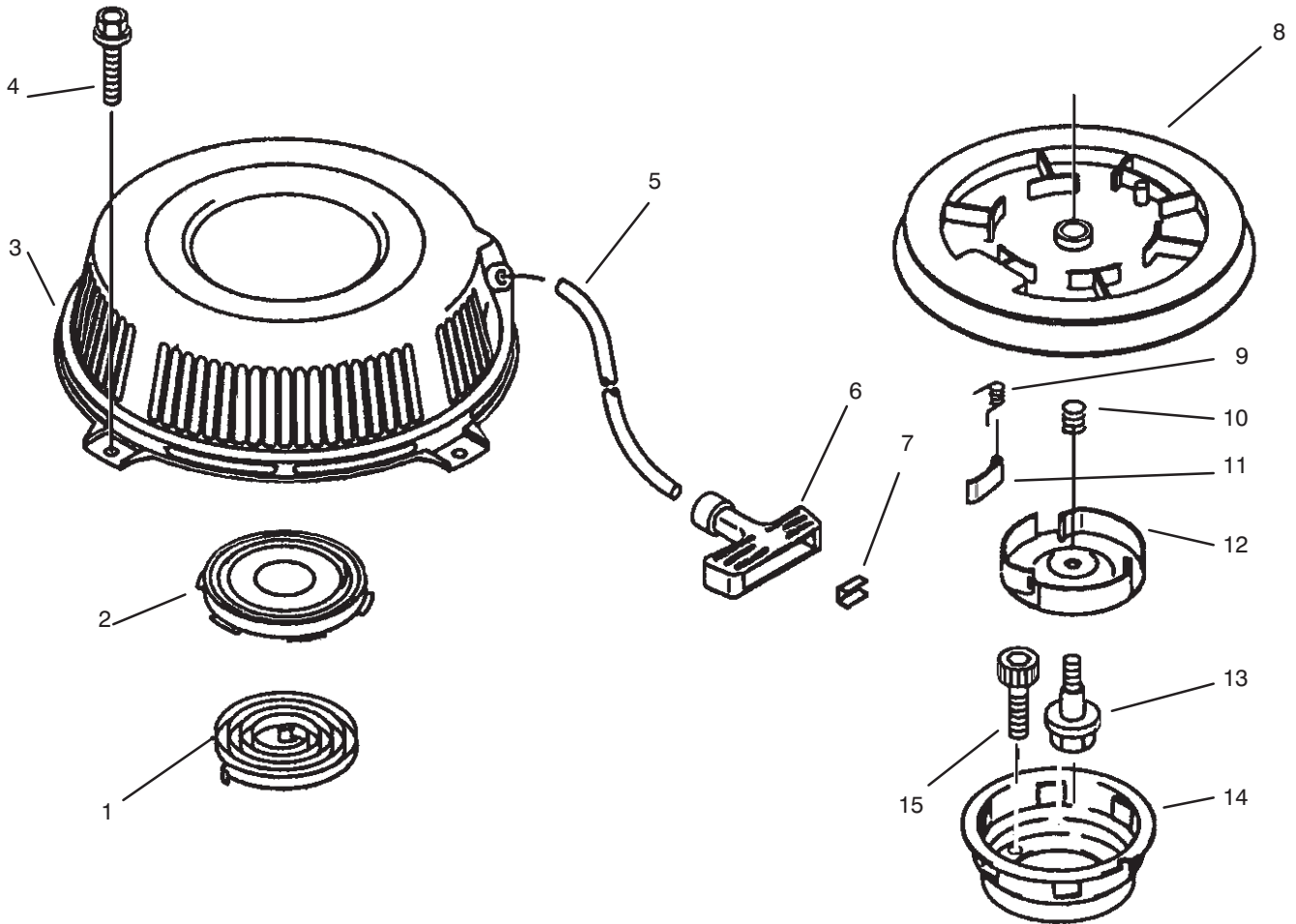
Ref. No.	Part No.	Description	No. Used
13	92027-2003	Collar	1
14	92093-2069	Seal	1
15	92143-2142	Collar	1
16	92144-2160	Spring	1
17	59071-2062	Joint	1
18	16060-2108	Pipe - Intake	1
19	92002-2254	Bolt - 8 x 110	1
20	92002-2253	Bolt - 8 x 92	1
21	92170-2019	Clamp	1
22	11009-2025	Gasket	1
23	92009-2081	Screw	2
24	16126-2206	Valve - Choke	1



### CARBURETOR (Continued)

Ref. No.	Part No.	Description	No. Used
25	92059-2266	Tube - 3 x 5 x 110	1
26	49121-2207	Nozzle - Main	1
27	16030-2073	Valve - Float	1
28	92043-2006	Pin	1
29	92033-2067	Ring - Snap	1
30	49123-2078	Holder - Main Jet	1
31	92063-2294	Jet - Main	1
32	16031-2066	Float	1
33	11009-2024	Gasket	1
34	16020-2109	Chamber - Float (Incl. Ref. #35, 36)	1
35	92009-2015	Screw	1
36	92081-2009	Spring	1
37	92150-2146	Bolt	1
38	11009A-2025	Gasket	1

Ref. No.	Part No.	Description	No. Used
39	16038-024	Gasket	1
40	92064-2108	Jet - Pilot	1
41	13183-2252	Plate	1
42	92009-2244	Screw	1
43	92081-2008	Spring	1
44	16014-2076	Screw - Pilot Air	1
45	130G0825	Bolt - Flanged	2
46	16060-2109	Pipe - Intake	1
47	11060-2337	Gasket - Intake Pipe	1
48	16035-2063	Jet-Air #0.9	1
49	16035-2051	Jet-Air #1.4	1
50	39076-2053	Limiter	1
*	15003-2467	Carburetor - Assembly (Incl. Ref. # 1-16 & 22-44)	1

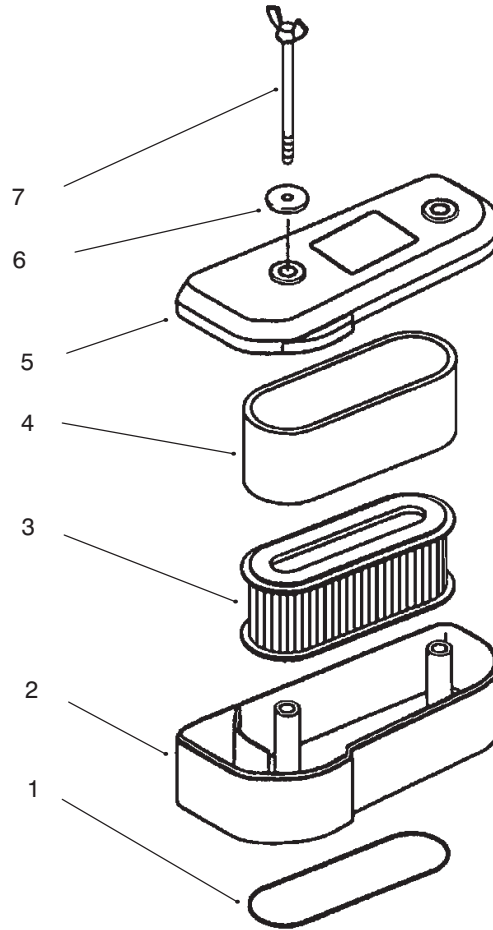


## STARTER

Ref. No.	Part No.	Description	No. Used
1	92081-2267	Spring - Recoil	1
2	32099-2060	Case - Spring	1
3	32099-2239-YK	Case - Recoil Starter	1
4	130B0610	Bolt - Flanged	4
5	59106-2060	Rope - 6 x 1380	1
6	46075-2059	Grip - Recoil Starter	1
7	92022-2248	Washer	1
8	59101-2054	Reel - Recoil Starter	1
9	92081-2021	Spring	3

Ref. No.	Part No.	Description	No. Used
10	92081-2268	Spring - Return	1
11	13165-2073	Pawl - Recoil Starter	3
12	14020-2054	Retainer - Recoil Starter	1
13	92001-2027	Bolt	1
14	49080-2144	Pulley - Starting	1
15	120P0620	Bolt - Socket	3
*	49088-2412-YK	Starter - Recoil (Incl. Ref. #1-5 & 8-14)	1

\*Not Illustrated

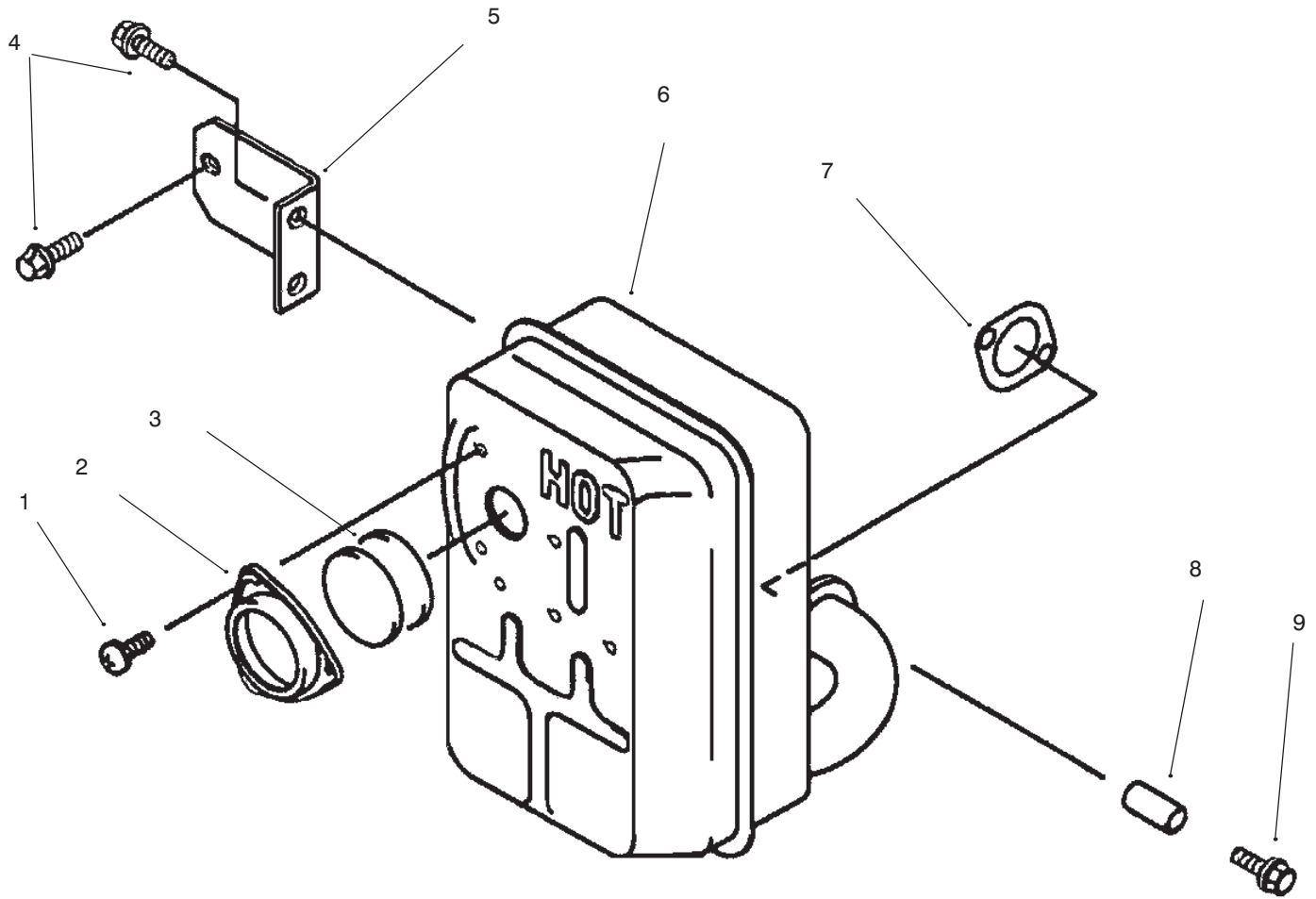


### AIR-FILTER

Ref. No.	Part No.	Description	No. Used
1	11009-2443	Gasket - Air Filter	1
2	11011-2174	Case - Air Filter	1
3	11013-2021	Element - Air Filter	1
4	11013-2020	Element - Air Filter	1
5	11012-2192	Cap - Air Filter	1

Ref. No.	Part No.	Description	No. Used
6	92022-2220	Washer	2
7	92002-2230	Bolt	2
*	11010-2291	Filter Assembly (Incl. Ref. # 2-6)	1

\*Not Illustrated



## MUFFLER

Ref. No.	Part No.	Description	No. Used
1	92009-2166	Screw - 5 x 8	2
2	11012-2165-9Y	Cap - Spark Arrester	1
3	18077-2052	Arrester - Spark	2
4	130G0812	Bolt - Flanged	4
5	11044-2069-9Y	Bracket	1

Ref. No.	Part No.	Description	No. Used
6	49069-2190-9Y	Muffer Assembly (Incl. Ref. #1-3)	1
7	11009-2527	Gasket - Muffer	1
8	92027-2081	Collar	2
9	130G0845	Bolt - Flanged	2

\*Not Illustrated

# TORO PART NUMBER INDEX

Part No.	Description	Pg. No.	Ref. No.	Qty.	Part No.	Description	Pg. No.	Ref. No.	Qty.
112843	Washer – Clutch	4	21	1	68-9690	Fitting – Rod	1	6	2
7-5461	Spacer	2	3	1	72-2190	Mount – Shift Lever	2	1	1
10-8110	Washer – Flat	3	17A/R		74-0040	Spacer – Pivot Idler	1	23	4
12-3270	Screw – Hex. Hd.	2	28	6	74-0050	Sheave – Lower Half	4	5	1
12-3270	Screw – Hex. Hd.	1	34	4	74-0060	Sheave – Upper Half	4	6	1
26-9671	Belt – Traction	2	12	1	74-0220	Idler – Bracket L.H.	1	20	1
27-6230	Bolt	2	19	1	74-0230	Idler – Bracket R.H.	1	*	1
29-5560	Switch – Ignition	6	16	1	74-0320	Lever – Shift	2	2	1
37-7600	Bridge – Rectifier	6	29	1	74-0360	Frame – Rear	1	27	1
44-8310	Ring – Retaining	5	3	2	74-0380	Control – Pivot	7	13	1
44-8320	Spring	5	10	3	74-0470	Rod – Pivot	7	15	1
44-8330	Spacer – Pulley Bearing	5	6	1	74-0480	Pulley – Drive	3	7	2
44-8340	Collar – Bearing	5	7	1	74-0510	Valve – Fuel	1	30	1
44-8360	Field Coil, Rotor & Bearing	5	4	1	74-0521	Fitting – Rod	1	13	2
47-1970	Grip – Engagement	2	5	1	74-0610	Transmission	2	17	1
47-2982	Hose – Fuel	1	28	1	74-0720	Tube – Manual	6	1	1
47-2982	Hose – Gas	4	12	1	74-0740	Control – Throttle	6	14	1
51-4160	Pulley – Wheel	3	19	4	82-2180	Panel – Control	6	4	1
51-4170	Spacer – Pulley	3	20	8	82-2190	Switch – Bail	7	5	1
51-4180	Drum – Brake	3	22	2	82-2240	Wire Harness	8	1	1
51-4190	Pulley – Driven	2	13	1	82-2300	Switch – Clutch	6	9	1
51-4220	Guard – Coupler	2	6	2	82-3820	Boot	6	8	1
51-4230	Washer – Wheel	3	29	2	82-4800	Lever – Idler	2	21	1
51-4240	Shaft – Extension R.H.	3	5	1	82-7631	Rod – Control	7	12	2
51-4250	Shaft – Extension L.H.	3	*	1	82-7680	Bail Assembly	7	10	1
51-4260	Coupler	2	8	1	82-7690	Bar – Control	7	4	1
51-4270	Bearing – Shaft Extension	3	1	2	82-8440	Tank – Fuel	1	2	1
51-4290	Belt – Drive	3	11	2	86-7910	Module – Interlock	8	2	1
51-4370	Spring – Torsion R.H.	1	*	1	86-7910	Module – Interlock	6	18	1
51-4380	Spring – Torsion L.H.	1	22	1	92-1746	Bearing	3	14	4
51-4450	Screw – Leveler	1	21	2	92-5436	Key	4	7	1
51-4480	Idler – Wheel	1	18	2	93-6657	Decal – Danger	6	10	1
51-4490	Spacer – Idler Wheel	1	19	2	93-7295	Decal – Proline	6	2	1
51-4540	Retainer – Clutch	4	8	1	93-7297	Decal – Ground Speed	1	7	1
51-4580	Rod – Brake	3	3	2	93-7298	Decal – Control Bar	7	7	1
51-4600	Brake Arm R.H.	3	*	1	93-7299	Decal – Reverse Handle	7	14	1
51-4610	Brake Arm L.H.	3	9	1	93-7431	Guard – Transmission Shaft	2	27	1
51-4650	Link – Brake	3	21	2	93-7433	Guard – Belt, R.H.	2	*	1
51-4660	Plate – Link Brake	3	26	2	93-7434	Guard – Belt, L.H.	2	29	1
51-4700	Brake Band Assembly	3	23	2	93-7436	Mount – Angle	1	32	1
51-4850	Lever – Parking Brake	7	1	1	93-7437	Panel – Bottom	1	33	1
52-2890	Bushing	1	5	2	93-7438	Frame	1	26	1
54-0230	Field Assembly	5	1	1	93-7442	Decal – Parking Brake	7	2	1
54-2750	V-Belt – Deck Drive	4	*	1	93-9353	Decal – Fuel Shut Off	1	31	1
54-3200	Clutch Brake Assembly	4	4	1	94-1295	Guard – Muffler Asm.	4	24	1
55-3570	Fuel Tank	1	1	1	218-461	Nut	6	6	1
55-7410	Armature & Pulley Assembly	5	5	1	218-595	Connector – Body	7	3	1
55-7660	V-Belt – Deck Drive	4	*	1	231-111	Tire	3	12	2
56-6360	Fuel – Filter	4	10	1	232-27	Valve Stem	3	16	2
57-5811	Panel – Bottom	6	19	1	237-7	"O"Ring	1	35	1
57-6360	Screw – Hex. Hd.	4	19	1	237-124	Grommet	1	25	1
57-6370	Screw – Hex. Hd.	4	15	1	237-141	Grommet – Rubber	7	9	2
57-6380	Screw – Hex. Hd.	4	18	3	242-80	Rim	3	15	2
57-6390	Nut	4	13	2	2412-98	Clamp – Fuel Line	4	11	2
62-4540	Pulley – Idler	2	22	1	2412-98	Clamp – Fuel line	1	29	1
63-7590	Relay	8	3	1	2412-108	Clamp – Hose	4	22	1
63-7590	Relay	6	21	1	2412-120	"R"Clamp	6	24	2
63-8360	Key	6	5	2	251-291	Bearing – Pulley	5	8	1
66-7400	Plate – Control	1	8	1	251-292	Bearing – Field	5	2	1
67-6370	Bracket – Support R.H.	1	*	1	256-155	Bushing	2	24	2
67-6380	Bracket – Support L.H.	1	14	1	283-6	Pin – Clevis	1	12	2
67-6440	Handle – Upper	6	28	1	302-5	Fitting – Grease	2	7	2
68-2190	Spring – Extension	2	18	18	302-11	Fitting – Grease	3	13	2

\*Not Illustrated

# TORO PART NUMBER INDEX (Cont.)

Part No.	Description	Pg. Ref. No. No. Qty.	Part No.	Description	Pg. Ref. No. No. Qty.
321-2	Screw	6 33 2	3290-307	Pin - Cotter	7 11 2
321-4	Screw - Hex. Hd.	3 2 4	3290-378	Cable Tie	6 26 3
322-2	Screw - Hex. Hd.	2 15 4	3296-2	Nut - Lock	7 6 5
322-4	Screw - Hex. Hd.	1 10 4	3296-2	Nut - Lock	6 11 4
322-7	Screw - Hex. Hd.	3 25 8	3296-2	Nut	6 31 1
323-7	Screw - Hex. Hd.	1 16 4	3296-5	Nut - Lock	5 9 3
323-8	Screw - Hex. Hd.	2 23 1	3296-6	Nut	2 25 1
323-8	Screw - Hex. Hd.	1 36 2	3296-23	Nut - Lock	1 17 2
323-16	Screw - Hex. Hd.	1 15 2	3296-39	Nut - Lock	2 20 1
329-10	Screw - Hex. Hd.	2 4 1	3296-39	Nut - Lock	1 24 6
3234-11	Screw - Hex. Hd.	6 23 4	3296-42	Nut - Hex	6 17 3
3245-1	Screw - Socket Hd.	2 11 1	3296-42	Nut - Lock	2 9 4
3245-3	Screw - Socket Hd. Set	3 6 2	32103-25	Nut - Wing	1 3 2
3253-4	Washer - Lock	1 9 4	32105-1	Screw - Hex. Hd. Machine	7 8 1
3253-4	Washer - Lock	2 16 4	32105-13	Screw ????	6 30 1
3253-4	Washer - Lock	4 17 3	32105-14	Screw - Hex. Hd. Machine	6 13 4
3253-4	Washer - Lock	3 24 8	32120-64	Ring - Retaining	2 10 3
3254-5	Washer - Lock	6 15 1	32128-21	Nut - Lock	6 27 4
3255-7	Washer	6 32 1	32144-14	Screw - Hex. Hd.	2 26 2
3255-8	Washer - External Tooth	4 14 1	32144-19	Screw - Self Tapping	6 25 4
3256-23	Washer - Flat	1 4 9	32151-40	Ring - Retaining	3 10 2
3256-23	Washer - Flat	4 16 3	32151-56	Ring - Retaining	3 28 2
3256-24	Washer	2 30 1	32151-72	Ring - Retaining	3 27 4
3257-5	Key - Woodruff	3 4 3	32151-80	Ring - Push On	7 16 2
3290-307	Pin - Cotter	3 8 2	32151-91	Ring - Retaining	3 18 2
3290-307	Pin - Cotter	1 11 4			

## TABLE OF CONTENTS

Description	Page	Description	Page
Frame, Fuel Tank And Wheel Drive Idler	1	Valve / Camshaft	12
Transmission, Idler, Drive Pulleys & Drive Belt	2	Lubrication / Equipment	13
Axle, Brakes, Wheel Drive And Belts	3	Cooling / Equipment	14
Engine And Clutch Assembly	4	Electrical / Equipment	15
Clutch Assembly No. 54-3200	5	Control / Equipment	16
Handle Assembly	6	Carburetor	17
Electrical Schematic	8	Starter	19
Peerless Transmission Model No. 700-039	9	Air Filter	20
Engine Kawasaki Model FB460V Type KS08		Muffler	21
Crankcase	10	Numerical Parts Index	22
Piston / Crankshaft	11		

### Optional Equipment

Description	Model / Part No.	Description	Model / Part No.
36" Cutting Unit	Model No. 30136	37" Deck (Cloth Bag) Bag Kit	Model No. 30129
37" Recycler Deck	Model No. 30137	3"7 Deck (Steel Hopper) Bag Kit	Model No. 30130
44" Cutting Unit	Model No. 30144	44/52" Deck Bag Kit	Model No. 30128
48" Recycler Deck	Model No. 30148	2-5" HOC Kit	Part No. 84-5010
52" Cutting Unit	Model No. 30152	Front Weight Kit-36/37" Deck	Part No. 80-3350
62" Cutting Unit	Model No. 30162	Standard Sulky	Model No. 30122
36" Deck Bag Kit	Model No. 30125	Steerable Sulky	Model No. 30123

Compliance with Radio Interference Regulations Certified.  
Certifie Conforme au Reglement sur le Brouillage Radioelectrique.

\*Not Illustrated

Litho in U.S.A.

