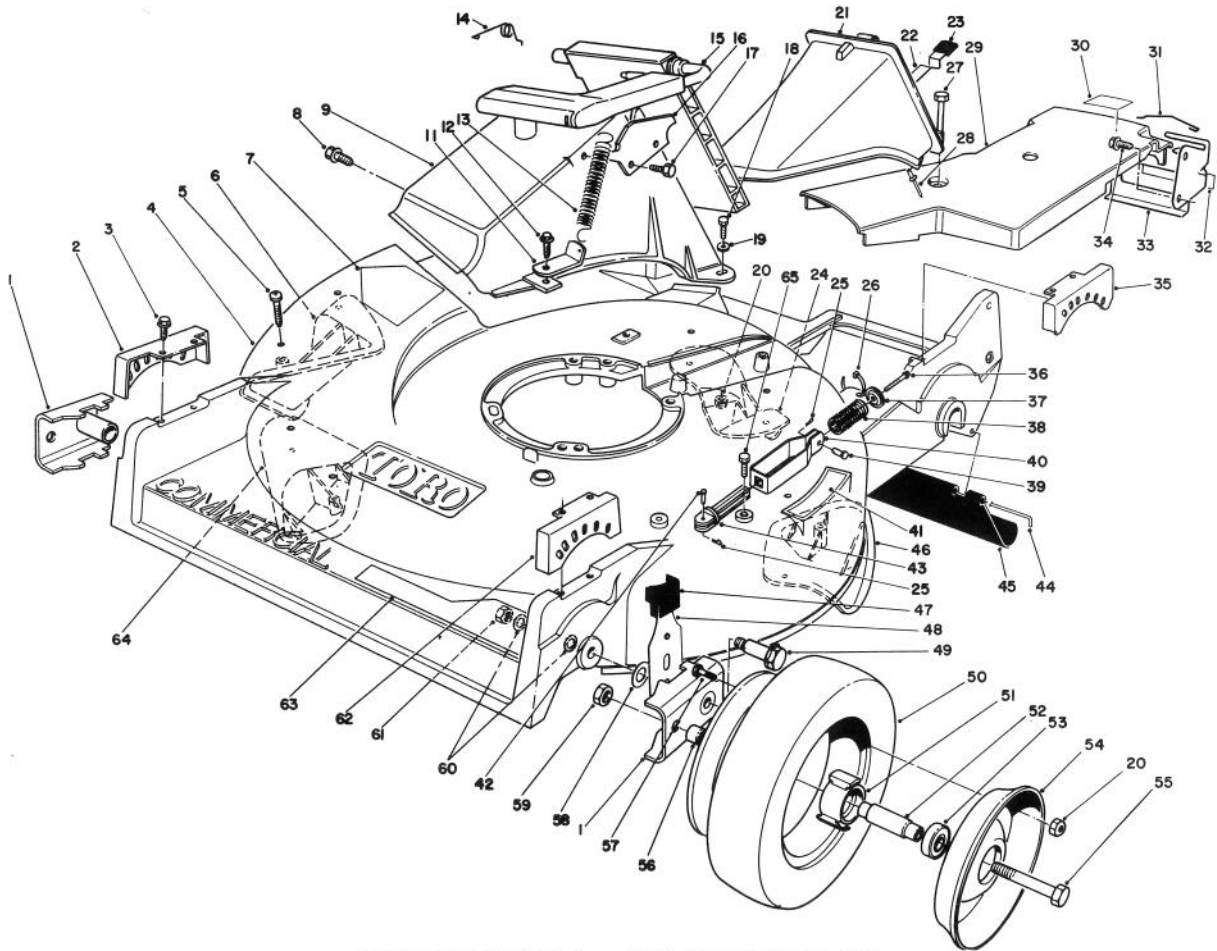




MODEL NO. 22151-200001 & UP

PARTS CATALOG

**PROLINE 21"
RECYCLER® Mower**



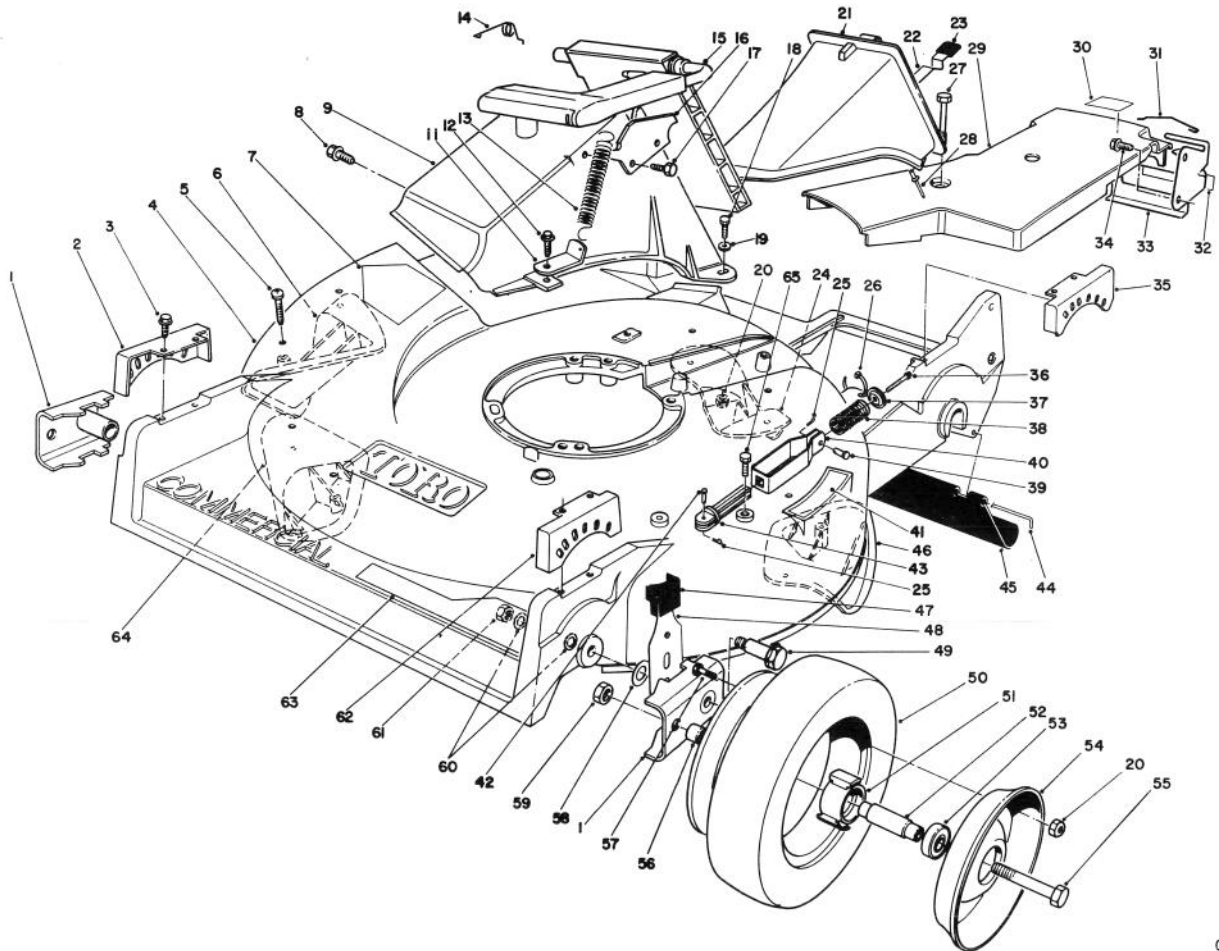
C-1135

HOUSING ASSEMBLY

| Ref. No. | Part No. | Description | No. Used |
|----------|-----------|--------------------------------------|----------|
| 1 | 61-8300 | Pivot Arm Assembly | 2 |
| 2 | 49-8770 | Quadrant - Front R.H. | 1 |
| 3 | 49-2040 | Screw - Thread Forming | 8 |
| 4 | 14-7399 | Housing - Commercial (Incl. Ref. #7) | 1 |
| 5 | 32144-111 | Screw - Pan Hd. | 8 |
| 6 | 76-2130 | Kicker | 1 |
| 7 | 43-8480 | Decal - Danger | 1 |
| 8 | 46-6810 | Screw - Thread Forming | 1 |
| 9 | 82-9150 | Chute - Discharge | 1 |
| 11 | 80-3780 | Bracket - Spring | 1 |
| 12 | 46-6811 | Screw - Thread Forming | 1 |
| 13 | 76-4660 | Spring | 1 |
| 14 | 80-3770 | Retainer - Door | 1 |
| 15 | 77-0200 | Door Assembly | 1 |
| 16 | 76-4570 | Plate - Latch | 1 |
| 17 | 46-8090 | Screw - Self Tapping | 2 |

| Ref. No. | Part No. | Description | No. Used |
|----------|----------|---|----------|
| 18 | 321-7 | Screw - Hex Hd. Cap | 2 |
| 19 | 3256-22 | Washer - Flat | 2 |
| 20 | 3296-42 | Nut - Lock | 10 |
| 21 | 77-0500 | Plug - Discharge (Incl. Ref. #22, 23, & 28) | 1 |
| 22 | 76-4640 | Latch - Plug | 1 |
| 23 | 76-4650 | Grip - Latch | 1 |
| 24 | 76-2150 | Plate - Kicker | 1 |
| 25 | 3272-1 | Pin - Cotter | 2 |
| 26 | 3290-378 | Tie - Cable | 1 |
| 27 | 37-7260 | Screw - Special | 2 |
| 28 | 3295-35 | Rivet | 1 |
| 29 | 86-5231 | Cover - Belt | 1 |
| 30 | 52-2620 | Label - Grease | 1 |
| 31 | 46-7030 | Retainer - Cable | 1 |
| 32 | 74-1970 | Decal - Traction Drive | 1 |
| 33 | 74-1741 | Bracket - Traction Adj. | 1 |

TPS

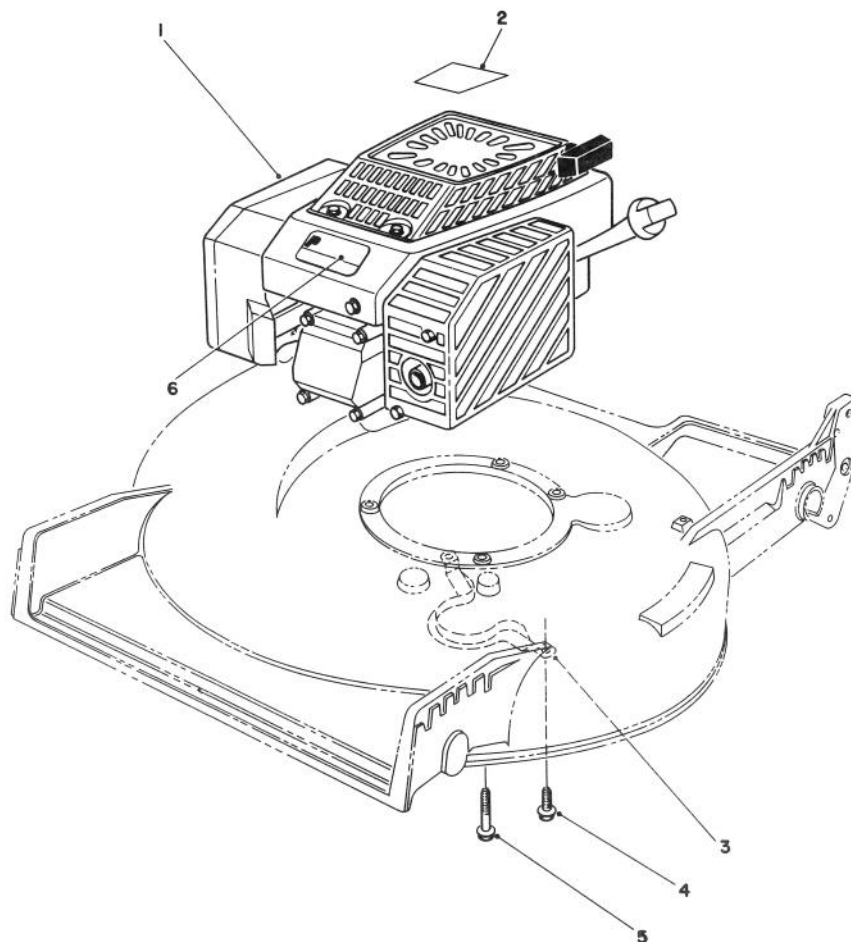


C-1135

HOUSING ASSEMBLY (Continued)

| Ref. No. | Part No. | Description | No. Used | Ref. No. | Part No. | Description | No. Used |
|----------|----------|--------------------------|----------|----------|----------|---|----------|
| 34 | 32144-70 | Screw - Thread Forming | 1 | 52 | 52-2440 | Spacer - Bearing | 2 |
| 35 | 49-8740 | Quadrant - Rear L.H. | 1 | 53 | 52-2450 | Bearing - Wheel | 4 |
| * | 49-8750 | Quadrant - Rear R.H. | 1 | 54 | 53-7780 | Plate - Wheel Half | 4 |
| 36 | 46-7040 | Screw - Hex Hd. Cap | 1 | 55 | 323-12 | Screw - Hex Hd. Cap | 2 |
| 37 | 65-5280 | Retainer - Spring | 1 | 56 | 52-2480 | Spacer - Wheel | 2 |
| 38 | 84-9100 | Spring - BBC | 1 | 57 | 321-2 | Screw - Hex Hd. Cap | 8 |
| 39 | 84-9040 | Pin - Cable | 1 | 58 | 257-3 | Washer - Pivot | 2 |
| 40 | 84-8880 | Bracket - Spring | 1 | 59 | 32152-2 | Nut - Lock | 2 |
| 41 | 46-7370 | Decal - Step Pad | 1 | 60 | 40-1940 | Washer - Hardened | 4 |
| 42 | 84-9050 | Pin - Spring Guide | 1 | 61 | 52-3620 | Nut - Lock | 2 |
| 43 | 84-8870 | Guide - Spring | 1 | 62 | 49-8760 | Quadrant - Front L.H. | 1 |
| 44 | 33-3208 | Rod - Shield | 1 | 63 | 82-8190 | Decal - Recycler | 1 |
| 45 | 44-0580 | Shield - Rear Safety | 1 | 64 | 76-2120 | Plate - Kicker | 1 |
| 46 | 76-2140 | Plate - Kicker | 1 | 65 | 323-6 | Screw - Hex Hd. Cap | 2 |
| 47 | 25-7740 | Knob - Arm | 2 | * | 53-7720 | Wheel & Tire Assembly (Incl. Ref. #20, 50-54, & 57) | 2 |
| 48 | 66-7560 | Spring Arm Ass'y - Front | 2 | | | | |
| 49 | 27-6231 | Screw - Pivot | 2 | | | | |
| 50 | 53-7740 | Tire | 2 | | | | |
| 51 | 52-2410 | Hub - Support Bearing | 2 | | | | |

*Not Illustrated

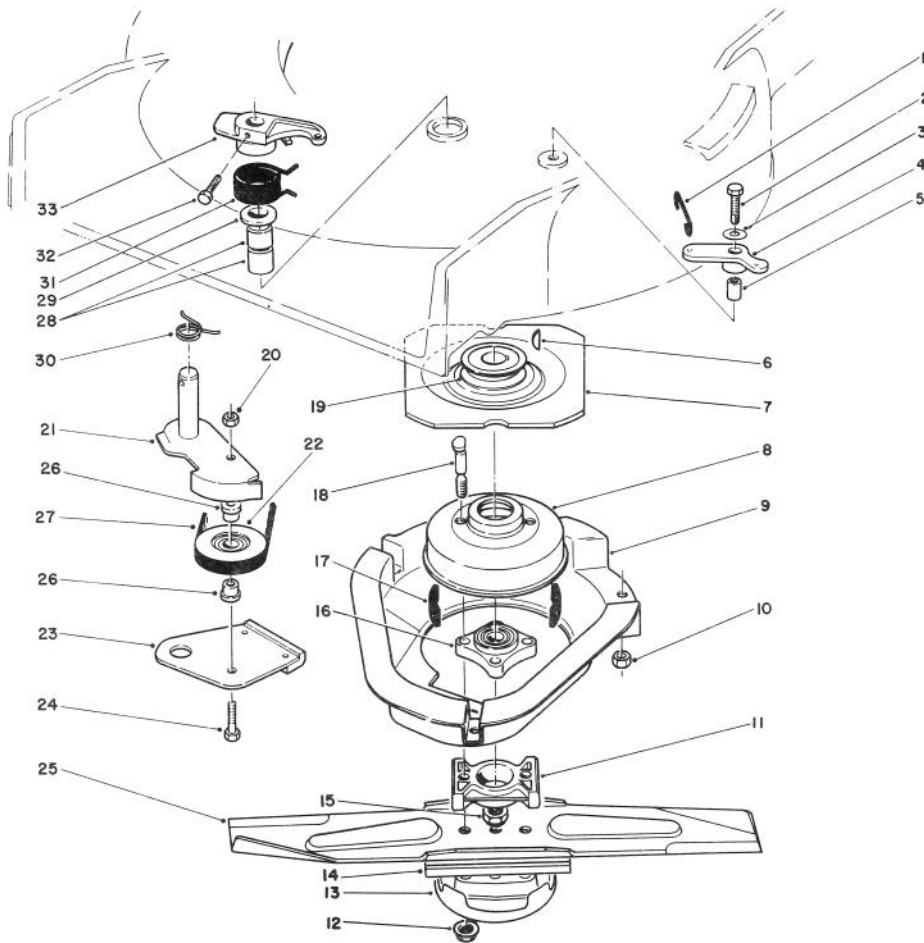


C-1136

ENGINE ASSEMBLY

| Ref. No. | Part No. | Description | No. Used |
|----------|----------|--|----------|
| 1 | 77-8970 | Engine - Complete (Incl. Ref. # 2, & 6) | 1 |
| 2 | 71-9270 | Decal - Engine | 1 |
| 3 | 66-0570 | Guide - Belt | 1 |

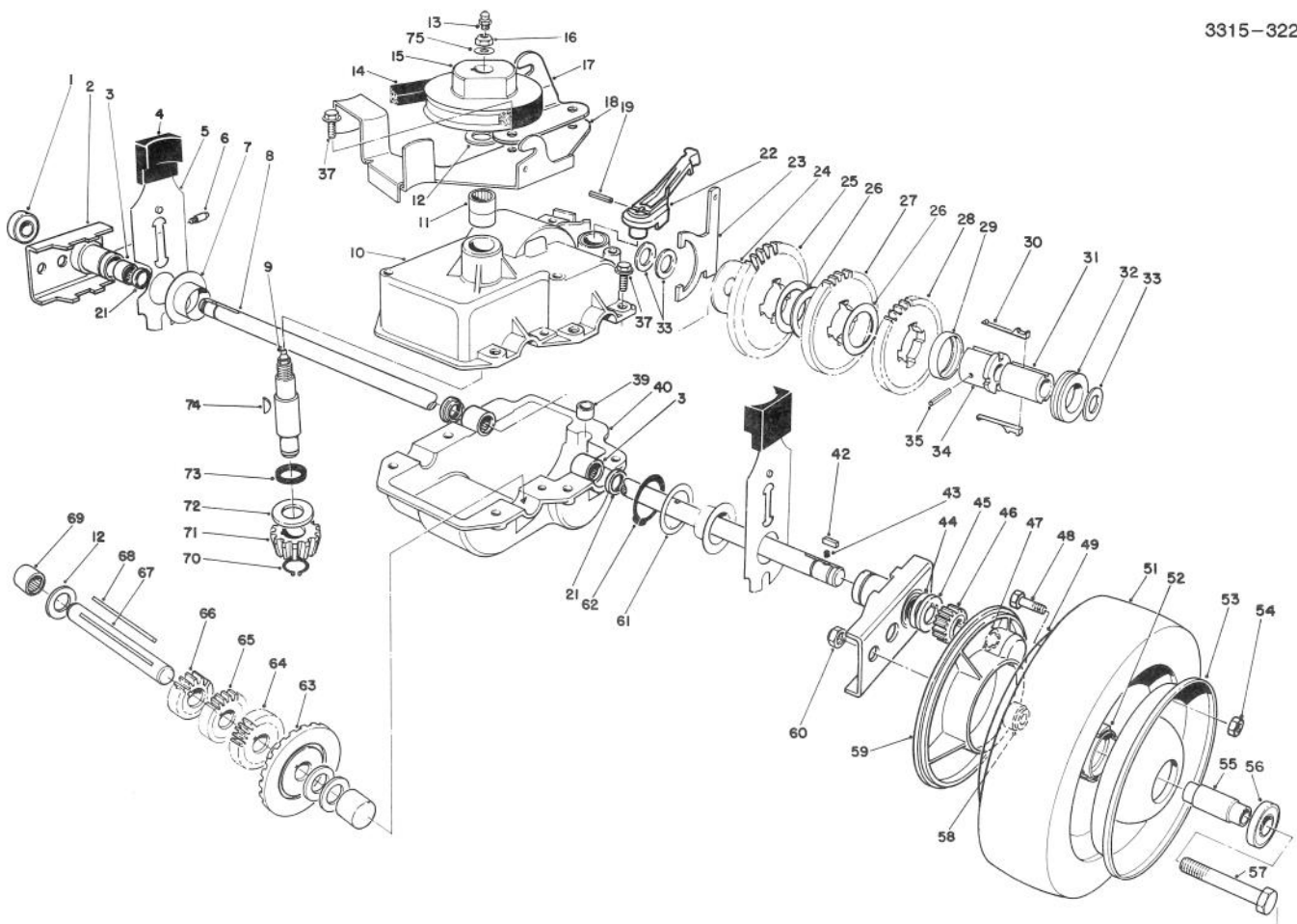
| Ref. No. | Part No. | Description | No. Used |
|----------|-----------|------------------------|----------|
| 4 | 32144-70 | Screw - Thread Forming | 2 |
| 5 | 32144-102 | Screw - Thr'd Forming | 3 |
| 6 | 84-4960 | Decal - Proline | 1 |



C-1137

BLADE BRAKE CLUTCH ASSEMBLY

| Ref. No. | Part No. | Description | No. Used | Ref. No. | Part No. | Description | No. Used |
|----------|-----------|--------------------------|----------|----------|----------|---------------------------------|----------|
| 1 | 49-2810 | Link - Control | 1 | 18 | 42-3190 | Bolt - Blade | 2 |
| 2 | 32104-107 | Screw - Self Tap Hex Hd. | 1 | 19 | 62-7560 | Pulley Driver | 1 |
| 3 | 3256-23 | Washer - Plain | 1 | 20 | 3296-47 | Locknut | 1 |
| 4 | 49-7960 | Bell Crank | 1 | 21 | 84-9130 | Arm - Idler | 1 |
| 5 | 49-7950 | Sleeve - Bell Crank | 1 | 22 | 46-5650 | Pulley Idler | 1 |
| 6 | 3257-17 | Key - Woodruff | 1 | 23 | 84-9180 | Brake Plate | 1 |
| 7 | 56-6160 | Flywheel | 1 | 24 | 322-6 | Hex Hd. Capscrew | 1 |
| 8 | 56-6170 | Drum - Brake | 1 | 25 | 14-1659 | Blade - 21" (Incl. Ref. #14) | 1 |
| 9 | 46-5692 | Shield | 1 | 26 | 46-5631 | Hub - Idler Pulley | 2 |
| 10 | 3296-39 | Nut - Lock | 2 | 27 | 42-0884 | V-Belt | 1 |
| 11 | 62-4280 | Spacer - Blade | 1 | 28 | 68-9780 | Bearing | 2 |
| 12 | 54-9190 | Locknut | 2 | 29 | 70-1160 | Washer - P.M. | 1 |
| 13 | 80-2770 | Cup - Anti-Scalp | 1 | 30 | 85-6880 | Spring - Torsion Lower | 1 |
| 14 | 80-0510 | Stiffener - Blade | 1 | 31 | 49-7970 | Spring - Torsion Upper | 1 |
| 15 | 3296-33 | Locknut | 1 | 32 | 32104-96 | Screw - Self Tap Hex Hd. | 1 |
| 16 | 42-6890 | Hub Assembly | 1 | 33 | 49-2820 | Lever | 1 |
| 17 | 52-3480 | Dampener - Vibration | 2 | | | | |

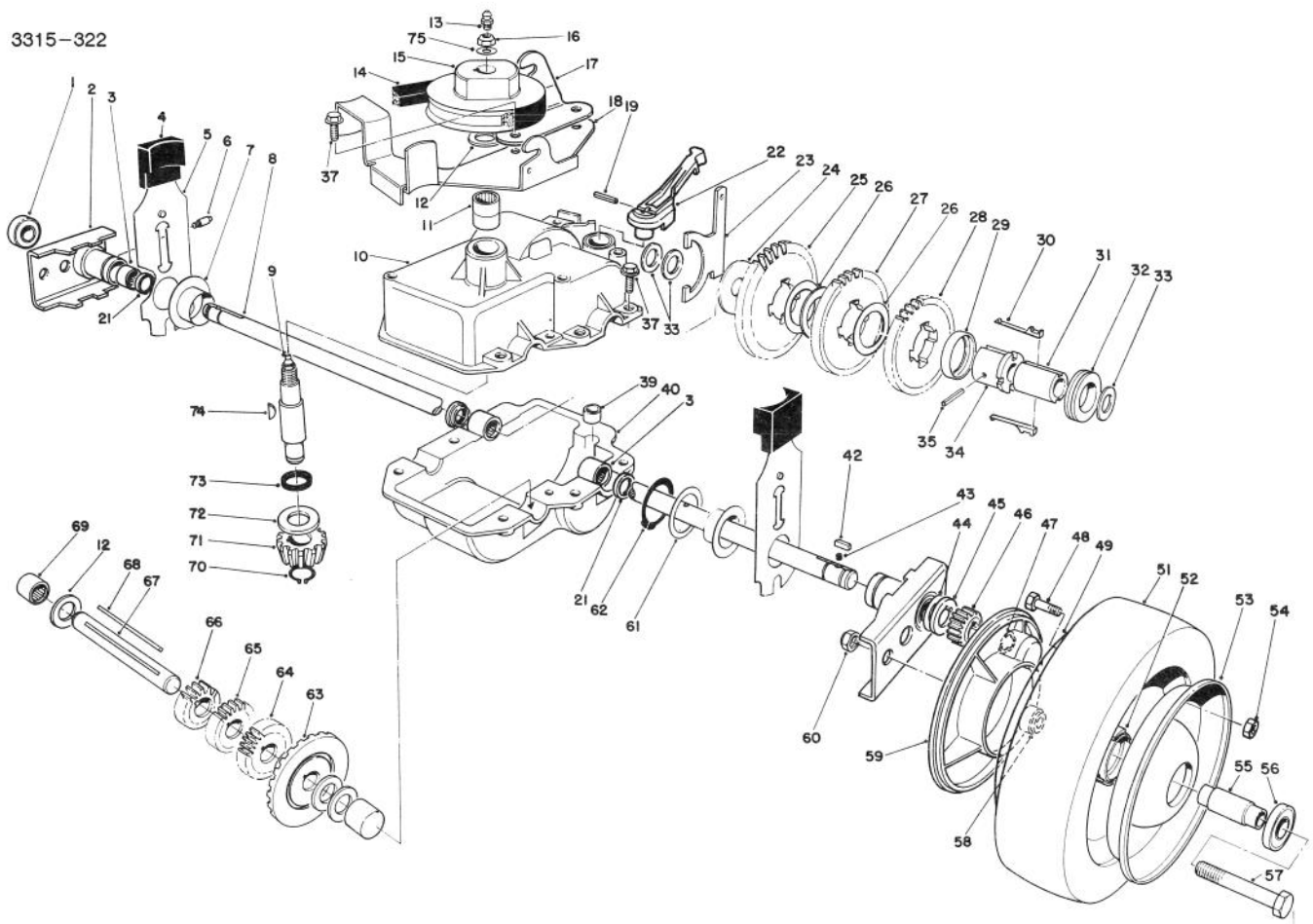


T-0678

GEAR CASE ASSEMBLY

| Ref. No. | Part No. | Description | No. Used | Ref. No. | Part No. | Description | No. Used |
|----------|----------|--|----------|----------|----------|------------------------|----------|
| 1 | 52-2450 | Bearing | 2 | 22 | 74-1960 | Lever - Shift | 1 |
| 2 | 74-1851 | Pivot Arm Assembly (Incl. Ref. #1, 3, 6 & 21) | 2 | 23 | 60-8870 | Yoke - Shift | 1 |
| 3 | 48-2060 | Bearing - Needle | 4 | 24 | 29-9690 | Washer - Flat | 1 |
| 4 | 25-7740 | Knob - Arm | 2 | 25 | 46-3560 | Gear - 52T | 1 |
| 5 | 66-7561 | Spring Arm Assy. - Rear | 2 | 26 | 36-4770 | Spacer - Gear | 3 |
| 6 | 302-62 | Fitting - Grease | 2 | 27 | 29-9271 | Gear - 42T | 1 |
| 7 | 48-2170 | Cap - End | 2 | 28 | 42-4740 | Gear - 38T | 1 |
| 8 | 74-1890 | Shaft - Output | 1 | 29 | 55-8020 | Retainer - Key | 1 |
| 9 | 13-5149 | Shaft - Input (Incl Ref. #13) | 1 | 30 | 29-9330 | Key - Shift | 2 |
| 10 | 13-9739 | Upper Case Assembly (Incl. Ref. #11 & 73) | 1 | 31 | 39-6720 | Sleeve | 1 |
| 11 | 47-7270 | Bearing - Needle | 2 | 32 | 29-9340 | Collar - Shift | 1 |
| 12 | 36-4792 | Washer - Thrust | 4 | 33 | 36-4780 | Washer - Flat | 3 |
| 13 | 302-63 | Fitting - Grease | 1 | 34 | 55-8010 | Sleeve - Gear | 1 |
| 14 | 36-8070 | V-Belt | 1 | 35 | 3285-19 | Pin - Groove | 1 |
| 15 | 39-6740 | Pulley | 1 | 37 | 49-2040 | Screw - Self Tapping | 8 |
| 16 | 3296-5 | Nut - Lock | 1 | 39 | 29-9570 | Bushing - Yoke | 1 |
| 17 | 74-1750 | Bracket - Traction, Engage | 1 | 40 | 74-1920 | Case - Lower | 1 |
| 18 | 49-8461 | Bracket - Guide, Belt | 1 | 42 | 39-9680 | Key | 2 |
| 19 | 32121-99 | Pin - Roll | 1 | 43 | 39-9650 | Spring | 2 |
| 21 | 47-6730 | Seal | 4 | 44 | 49-7700 | Washer - Thrust, Keyed | 2 |
| | | | | 45 | 62-3830 | Washer - Thrust, Keyed | 2 |
| | | | | 46 | 39-9160 | Pinion | 2 |
| | | | | 47 | 32151-68 | Ring - Klip | 4 |

3315-322



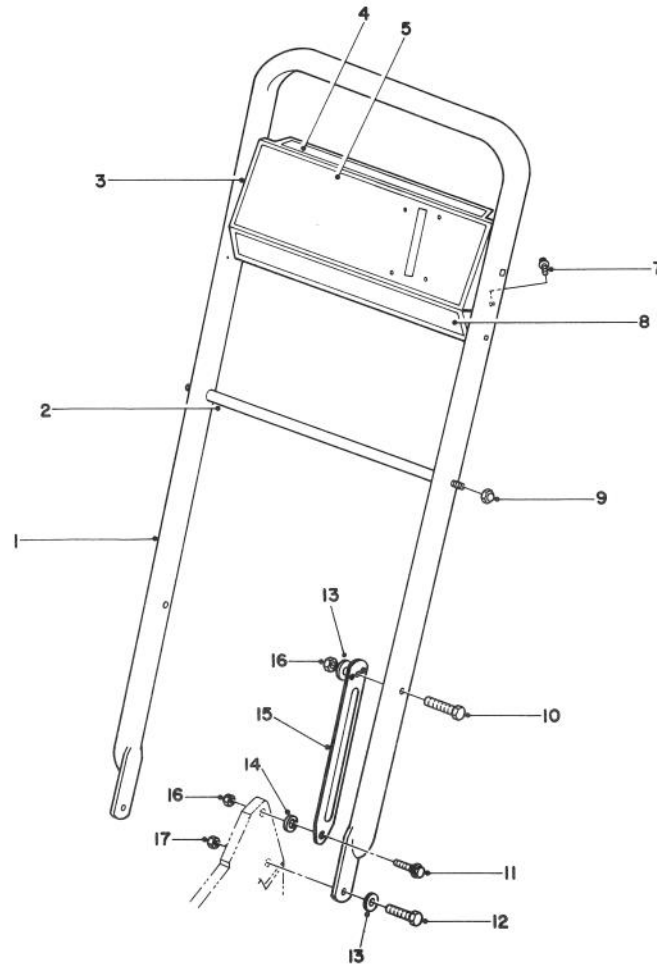
T-0678

GEAR CASE ASSEMBLY(Continued)

| Ref. No. | Part No. | Description | No. Used |
|----------|----------|------------------------|----------|
| 48 | 321-2 | Screw - Cap, Hex. Hd. | 8 |
| 49 | 53-7750 | Wheel - Half | 2 |
| 51 | 53-7740 | Tire | 2 |
| 52 | 52-2410 | Hub - Support, Bearing | 2 |
| 53 | 53-7780 | Plate - Wheel Half | 2 |
| 54 | 3296-42 | Nut - Lock | 8 |
| 55 | 52-2440 | Spacer - Bearing | 2 |
| 56 | 52-2450 | Bearing - Wheel | 4 |
| 57 | 323-13 | Screw - Cap, Hex. Hd. | 2 |
| 58 | 74-1650 | Spacer - Wheel | 2 |
| 59 | 74-1640 | Cover - Wheel | 2 |
| 60 | 32152-2 | Nut - Lock | 2 |
| 61 | 74-1810 | Washer | 2 |
| 62 | 32151-36 | Ring - Retaining | 2 |
| 63 | 74-1760 | Gear - Bevel | 1 |
| 64 | 39-6650 | Gear - 18T | 1 |

| Ref. No. | Part No. | Description | No. Used |
|----------|----------|--|----------|
| 65 | 46-3550 | Gear - 14T | 1 |
| 66 | 46-3540 | Gear - 12T | 1 |
| 67 | 53-7950 | Shaft - Intermediate | 1 |
| 68 | 39-7842 | Key - Square | 1 |
| 69 | 252-103 | Bearing - Closed | 2 |
| 70 | 32151-57 | Ring - Retaining | 1 |
| 71 | 39-6660 | Pinion - Bevel | 1 |
| 72 | 47-2910 | Washer - Thrust | 1 |
| 73 | 47-7260 | Seal | 1 |
| 74 | 3257-1 | Key - Woodruff | 2 |
| 75 | 3256-45 | Washer - Flat | 1 |
| * | 74-1861 | Gear Case Assembly (Incl. Ref. #3, 8-13, 15-18, 21, 23-40 & 63-74) | 1 |
| * | 74-1720 | Wheel & Tire Assembly (Incl. Ref. #48-49 & 51-56) | 2 |

*Not Illustrated

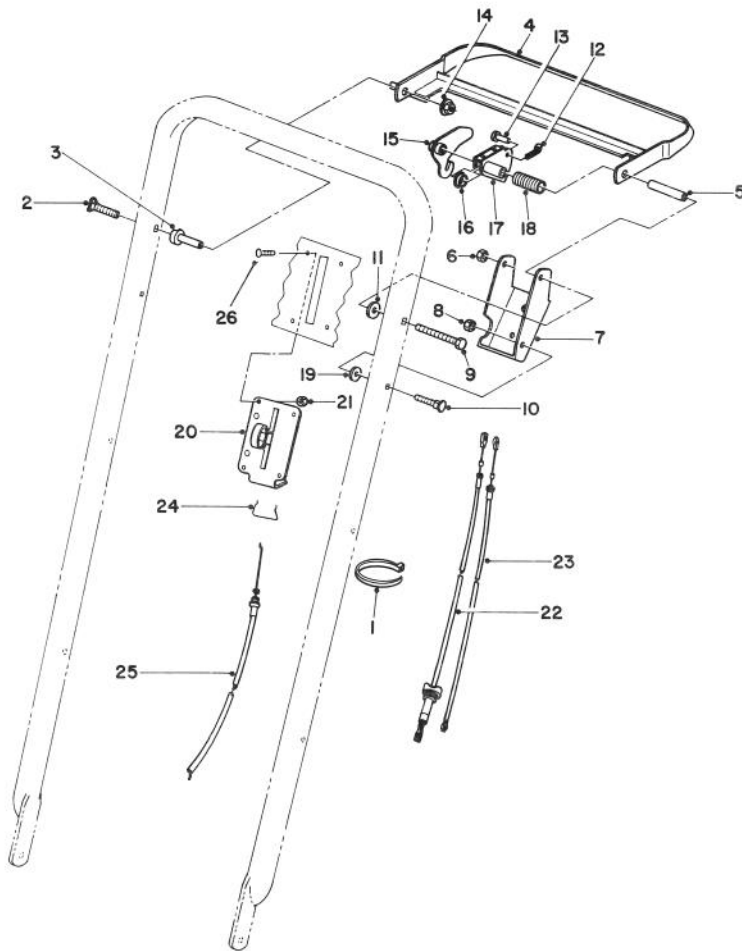


C-1139

HANDLE ASSEMBLY

| Ref. No. | Part No. | Description | No. Used | Ref. No. | Part No. | Description | No. Used |
|----------|----------|--|----------|----------|----------|-----------------------|----------|
| 1 | 84-8860 | Handle | 1 | 10 | 322-7 | Screw - Hex Hd. Cap | 2 |
| 2 | 48-2810 | Rod - Bag Support | 1 | 11 | 27-7210 | Screw - Shoulder | 2 |
| 3 | 14-7709 | Panel - Control (Incl. Ref. #4, 5, & 8) | 1 | 12 | 322-6 | Screw - Hex Hd. Cap | 2 |
| 4 | 63-9060 | Decal - Danger | 1 | 13 | 3290-456 | Washer - Flat | 4 |
| 5 | 85-6730 | Decal - Panel | 1 | 14 | 3-3287 | Spacer - Handle Latch | 2 |
| 6 | 3250-14 | Screw - Pan Head | 4 | 15 | 84-8361 | Latch - Handle L.H. | 1 |
| 7 | 32104-76 | Screw - Self Tapping | 6 | * | 84-8401 | Latch - Handle R.H. | 1 |
| 8 | 85-6720 | Decal - Proline | 1 | 16 | 3296-29 | Nut - Lock | 4 |
| 9 | 32111-7 | Nut - Acorn | 2 | 17 | 3296-47 | Nut - Lock | 2 |

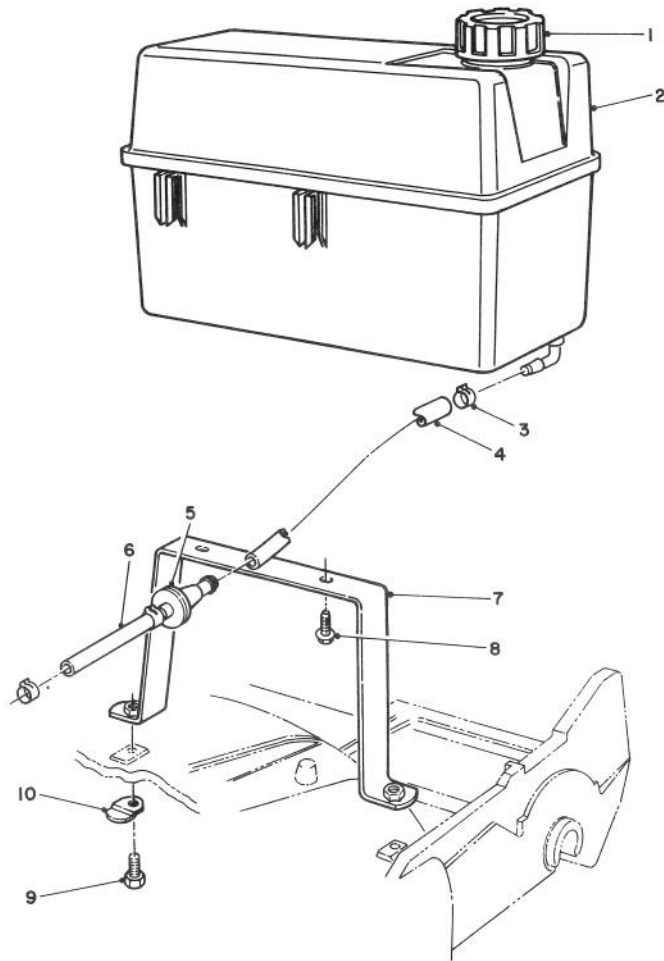
*Not Illustrated



C-1140

TRACTION CONTROL ASSEMBLY

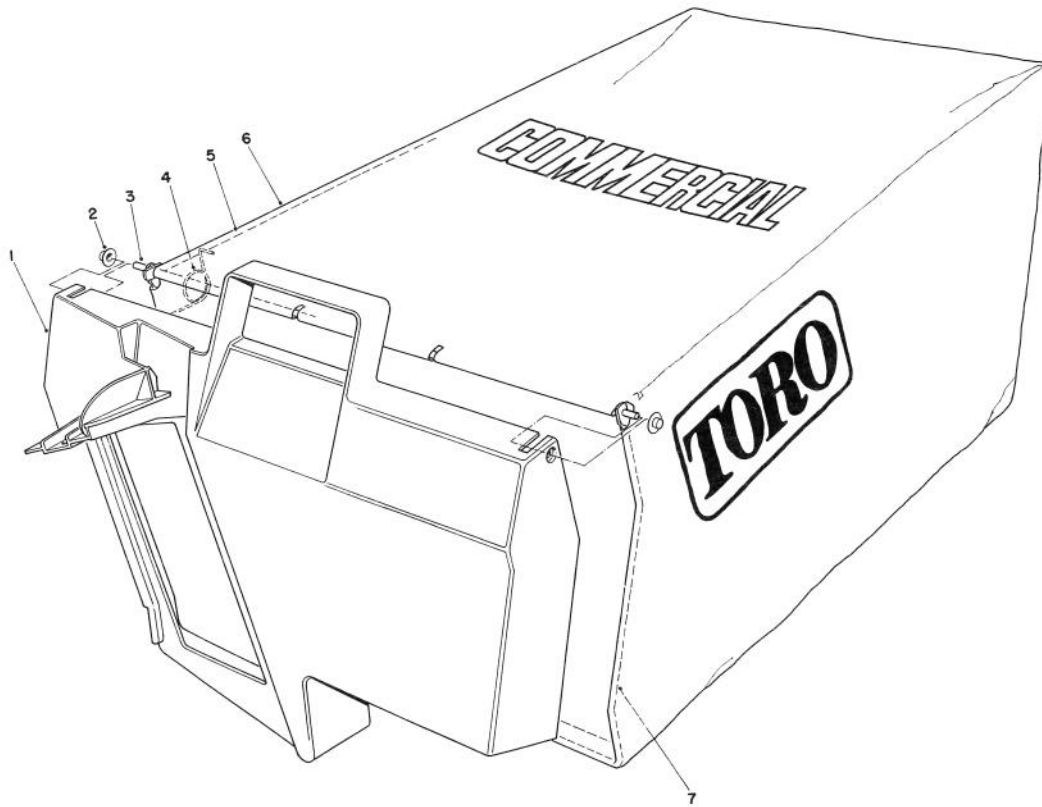
| Ref. No. | Part No. | Description | No. Used | Ref. No. | Part No. | Description | No. Used |
|----------|----------|--------------------------|----------|----------|----------|-----------------------------|----------|
| 1 | 3290-378 | Tie - Cable | 1 | 14 | 3296-58 | Nut - Hex Flange | 1 |
| 2 | 17-9427 | Screw - Handle | 1 | 15 | 84-9000 | Lever - Traction | 1 |
| 3 | 49-1631 | Support - Spacer | 1 | 16 | 86-9320 | Bushing - Nylon Flange | 1 |
| 4 | 84-8940 | Bar - Control | 1 | 17 | 84-8990 | Lever - BBC | 1 |
| 5 | 84-9030 | Spacer - Control Bracket | 1 | 18 | 85-6750 | Spring - Control | 1 |
| 6 | 3296-29 | Nut - Lock | 1 | 19 | 71-9320 | Spacer | 1 |
| 7 | 84-8950 | Bracket - Control | 1 | 20 | 85-6770 | Control - Throttle | 1 |
| 8 | 3296-42 | Nut - Lock | 1 | 21 | 3296-2 | Nut - Lock | 4 |
| 9 | 322-19 | Screw - Hex Hd. Cap | 1 | 22 | 84-9120 | Cable - Traction | 1 |
| 10 | 46-6430 | Screw - Handle | 1 | 23 | 84-9110 | Cable - Clutch | 1 |
| 11 | 71-9310 | Spacer | 1 | 24 | 85-6780 | Retainer - Throttle Control | 1 |
| 12 | 3272-1 | Pin - Cotter | 1 | 25 | 85-6840 | Cable - Throttle | 1 |
| 13 | 84-9040 | Pin - Cable | 1 | 26 | 3250-14 | Screw - Phillips Pan Hd. | 4 |



C-1138

GAS TANK ASSEMBLY

| Ref. No. | Part No. | Description | No. Used | Ref. No. | Part No. | Description | No. Used |
|----------|----------|-------------------|----------|----------|----------|-------------------------|----------|
| 1 | 55-3570 | Cap - Gas | 1 | 6 | 51-3214 | Hose - Fuel | 1 |
| 2 | 82-8460 | Tank - Gas | 1 | 7 | 84-9170 | Base - Tank | 1 |
| 3 | 2412-95 | Clamp - Fuel Line | 4 | 8 | 46-8091 | Screw - Hex. Washer Hd. | 2 |
| 4 | 68-3630 | Hose - Fuel | 1 | 9 | 323-7 | Screw - Cap, Hex. Hd. | 2 |
| 5 | 71-9280 | Filter - Fuel | 1 | 10 | 84-8930 | Retainer - Shield | 3 |

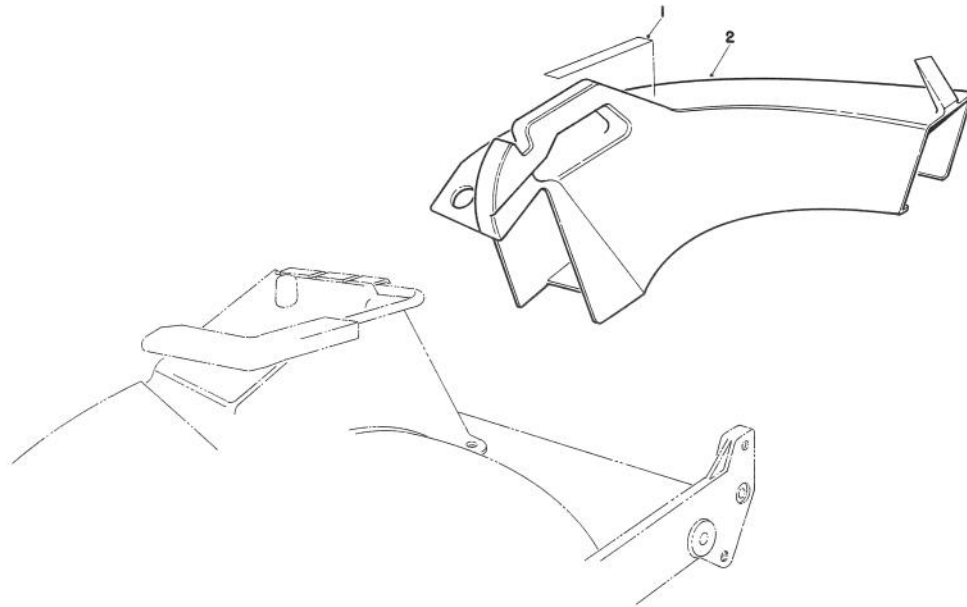


T-1100

GRASS BAG ASSEMBLY No. 11-5609

| Ref. No. | Part No. | Description | No. Used |
|----------|----------|------------------------|----------|
| 1 | 48-2840 | Door - Bag, Grass | 1 |
| 2 | 3290-422 | Nut - Push, Washer Cap | 2 |
| 3 | 33-4820 | Hinge - Door, Bag | 1 |
| 4 | 36-6910 | Spring | 2 |

| Ref. No. | Part No. | Description | No. Used |
|----------|----------|--------------------|----------|
| 5 | 42-4030 | Frame - Bag, Upper | 1 |
| 6 | 8-2759 | Bag - Grass | 1 |
| 7 | 42-4020 | Frame - Bag | 1 |

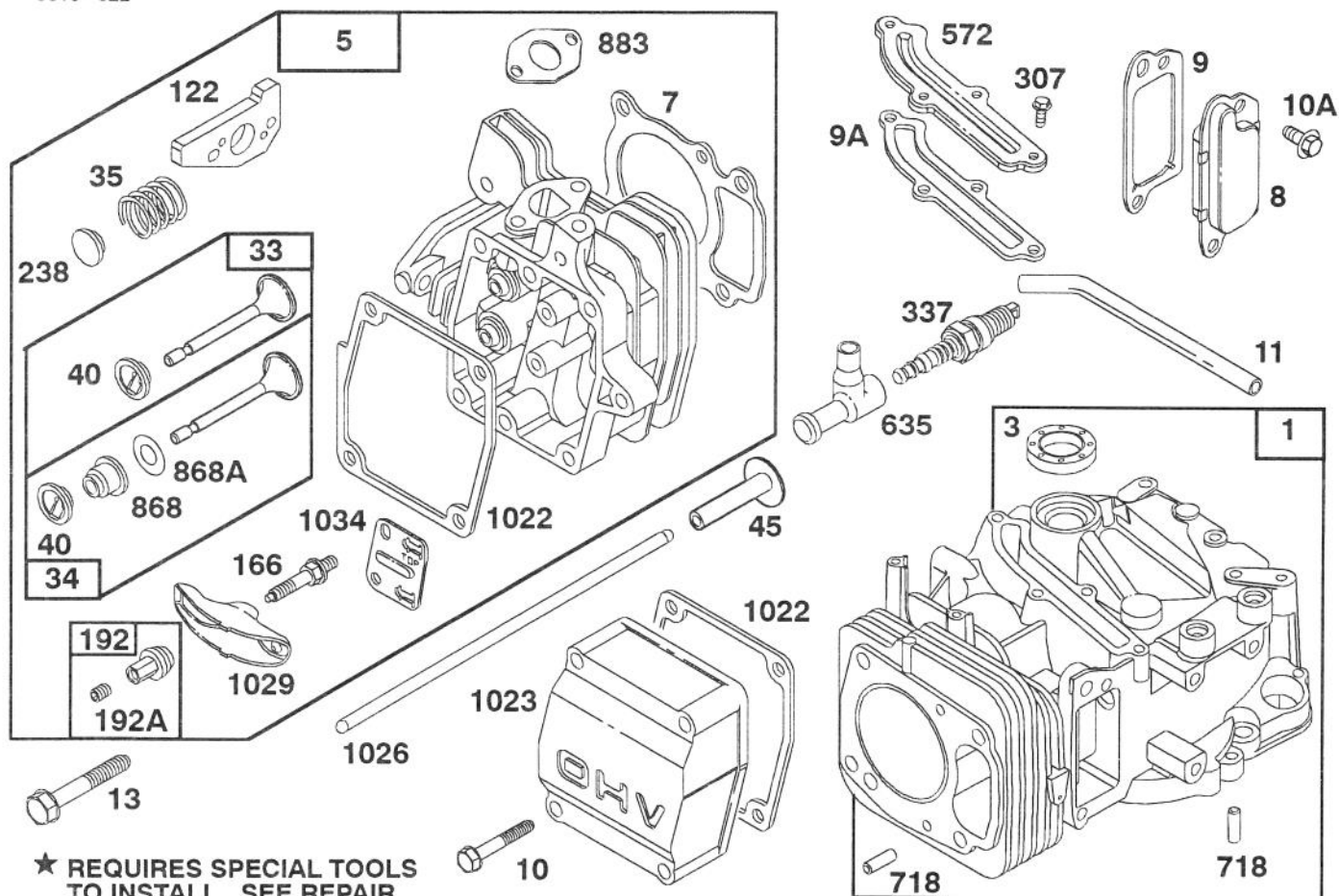


T-0716

SIDE DISCHARGE CHUTE MODEL No. 59168 (Optional)

| Ref. No. | Part No. | Description | No. Used |
|----------|----------|-----------------|----------|
| 1 | 76-4780 | Decal - Caution | 1 |

| Ref. No. | Part No. | Description | No. Used |
|----------|----------|--------------------------------------|----------|
| 2 | | Chute - Discharge (Incl. Ref. #1) | 1 |



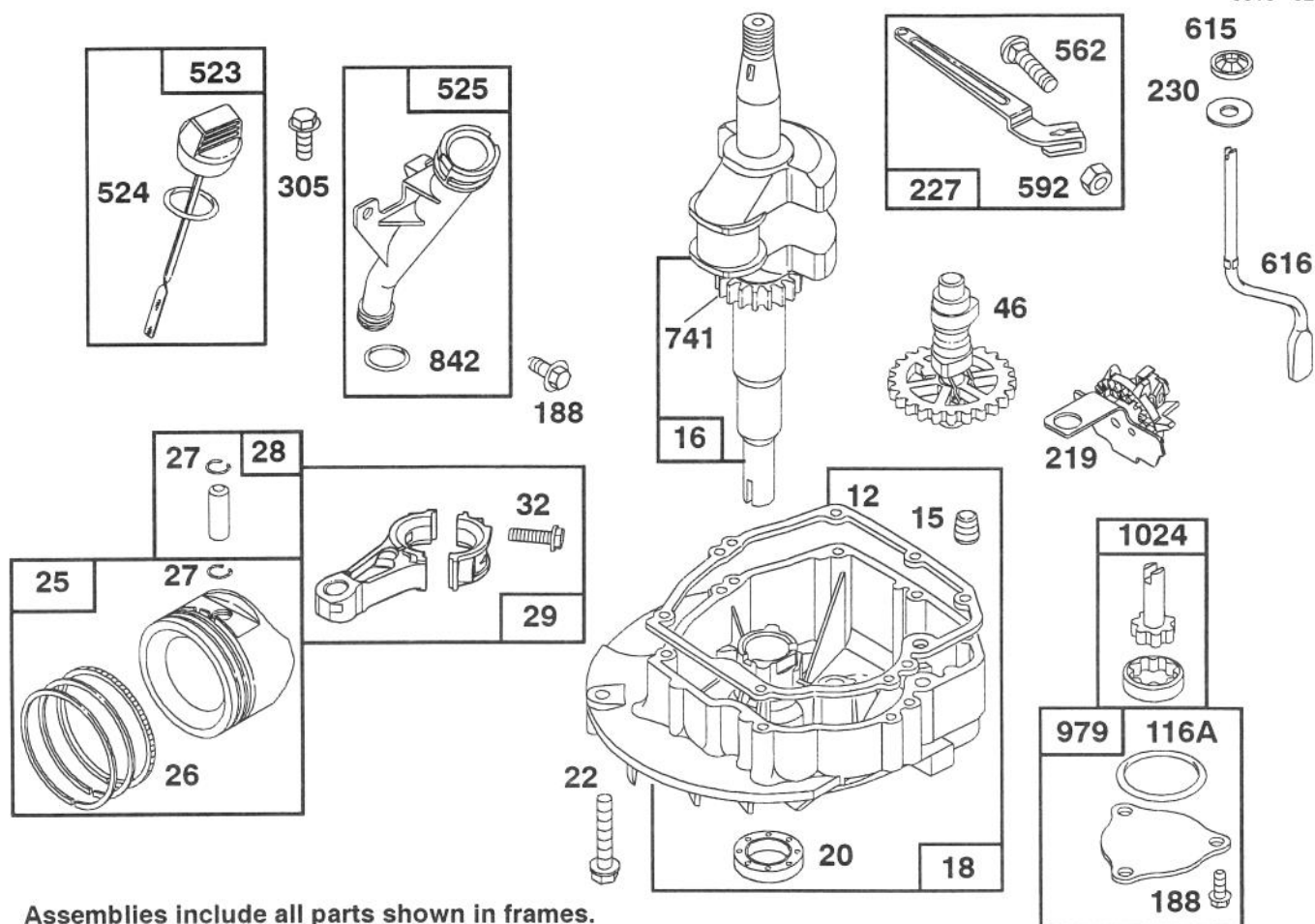
ENGINE GTS 150 77-9140

| Ref. No. | Part No. | Description | No. Used |
|----------|----------|------------------------------|----------|
| 1 | 77-7590 | Cylinder Assy | 1 |
| ★3 | 77-9060 | Seal-Oil | 1 |
| 5 | 77-7730 | Head-Cylinder | 1 |
| ★7 | 77-7740 | Gasket-Cylinder Head | 1 |
| 8 | 77-7430 | Breather Assy | 1 |
| ★9 | 77-7440 | Gasket-Breather | 1 |
| ★9A | 77-7410 | Gasket-Breather | 1 |
| 10 | 77-7360 | Screw-Hex Head (valve cover) | 4 |
| 10A | 77-9200 | Screw-Hex. Head | 2 |
| 11 | 77-7350 | Tube-Breather | 1 |
| 13 | 77-7630 | Screw-Cylinder Head | 1 |
| 33 | 77-7860 | Valve-Exhaust | 1 |
| 34 | 77-7880 | Valve-Intake | 1 |
| 35 | 77-7810 | Spring-Valve | 1 |
| 40 | 77-7870 | Retainer-Spring | 1 |
| 45 | 77-7610 | Tappet-Valve | 1 |
| ●122 | 77-7820 | Adapter Assy | 1 |
| 166 | 77-7780 | Stud-Rocker Arm | 1 |
| 192 | 77-7910 | Ball & Screw-Rocker Arm | 1 |

| Ref. No. | Part No. | Description | No. Used |
|----------|----------|-------------------------------------|----------|
| 192A | 77-9090 | Screw-Set | 1 |
| 238 | 77-7800 | Cap-Valve | 1 |
| 307 | 77-7420 | Screw-Cover Mtg (breather cover) | 1 |
| 337 | 77-7330 | Plug-Spark | 1 |
| 572 | 77-7400 | Cover-Breather | 1 |
| 635 | 77-9190 | Elbow-Spark Plug | 1 |
| 718 | 77-7600 | Pin-Cylinder | 1 |
| ★868 | 77-7890 | Seal Assy-Valve | 1 |
| ★868A | 77-7900 | Gasket-Valve | 1 |
| ★883 | 77-7760 | Gasket-Exhaust | 1 |
| ★1022 | 77-7320 | Gasket-Rocker Cover | 1 |
| 1023 | 77-7060 | Cover-Valve | 1 |
| 1026 | 77-7620 | Rod-Push | 1 |
| 1029 | 77-7790 | Arm-Rocker | 1 |
| 1034 | 77-7770 | Guide-Push Rod | 1 |

★ Included in Gasket Set-Part No. 493783.

● Included in Carburetor Overhaul Kit-Part No. 493917.

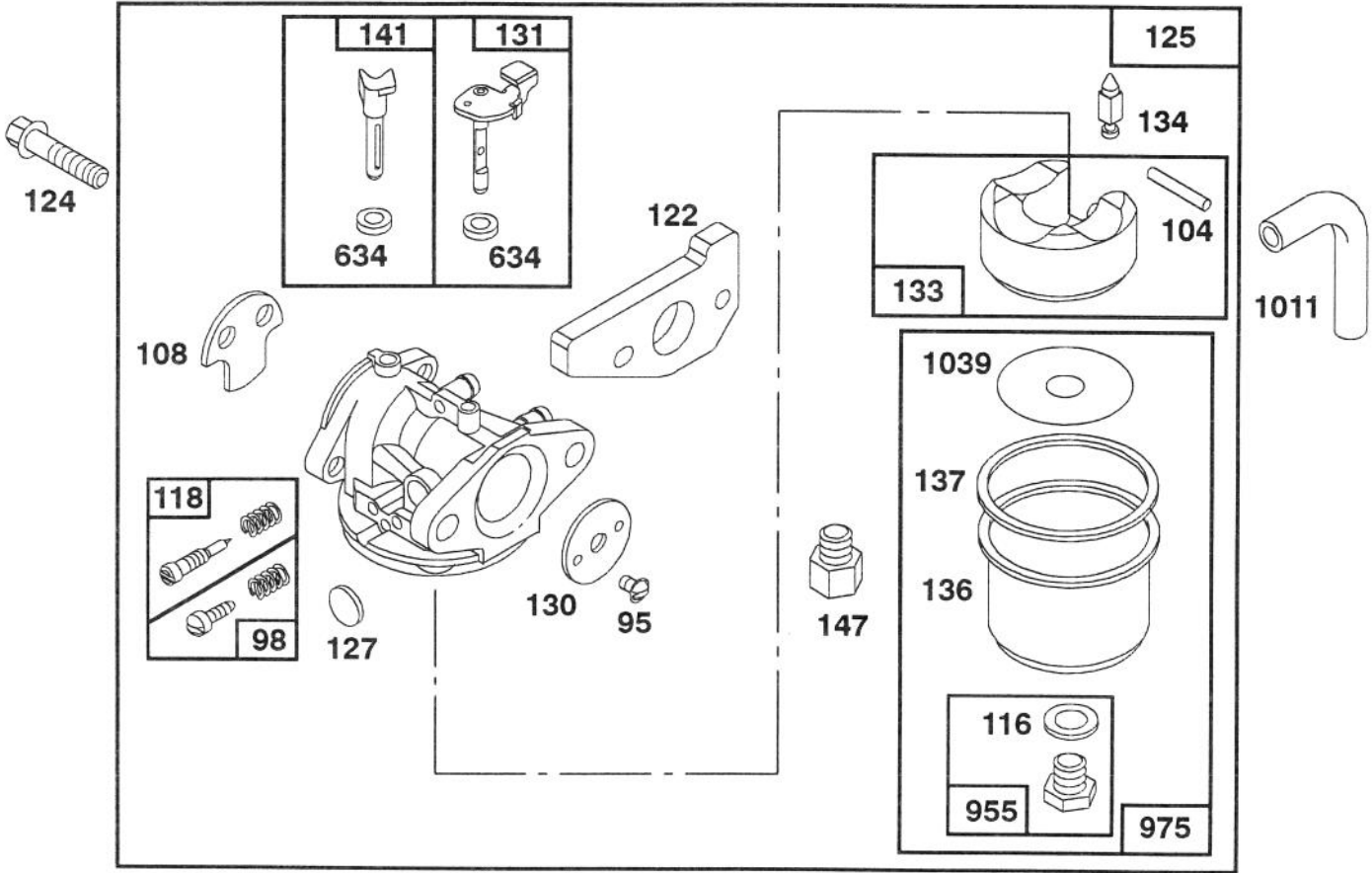


Assemblies include all parts shown in frames.

ENGINE GTS 150 77-9140

| Ref. No. | Part No. | Description | No. Used | Ref. No. | Part No. | Description | No. Used |
|----------|----------|---|----------|----------|----------|---------------------|----------|
| ★12 | 77-7550 | Gasket-Engine Base | 1 | 188 | 77-7450 | Screw-Hex Head | 3 |
| 15 | 77-7580 | Plug-Pipe | 1 | 219 | 77-7500 | Gear-Governor | 1 |
| 16 | 77-7510 | Crankshaft | 1 | 227 | 77-7370 | Lever Assy-Governor | 1 |
| | | Note: Order Part No. 94388 For Timing Gear Key | | 230 | 77-7470 | Washer | 1 |
| 18 | 77-7560 | Base-Engine | 1 | 305 | 77-8310 | Screw-Hex Head | 1 |
| ★20 | 77-7570 | Seal-Oil | 1 | 523 | 77-7260 | Dipstick-Oil | 1 |
| 22 | 77-9070 | Screw-Engine Base | 1 | ★524 | 77-7270 | Seal-O Ring | 1 |
| 25 | 77-7690 | Piston Assy (Std) | 1 | 525 | 77-7280 | Tube-Oil Filler | 1 |
| 26 | 77-7700 | Ring Set (Std) | 1 | 562 | 77-7380 | Bolt-Governor Lever | 1 |
| 27 | 77-7710 | Lock-Piston Pin | 1 | 592 | 77-7390 | Nut-Hex | 1 |
| 28 | 77-7720 | Pin Assy-Piston | 1 | 615 | 77-7480 | Pushnut | 1 |
| 29 | 77-7630 | Rod-Connecting | 1 | 616 | 77-7460 | Crank-Governor | 1 |
| 32 | 77-7680 | Screw-Connecting Rod | 1 | 741 | 77-7530 | Gear-Timing | 1 |
| 46 | 77-7490 | Gear-Cam | 1 | ★842 | 77-7300 | Seal-O Ring | 1 |
| ★116A | 77-7660 | O-Ring | 1 | 979 | 77-7650 | Cover-Oil Pump | 1 |
| | | | | 1024 | 77-7640 | Pump-Oil | 1 |

★ Included in Gasket Set-Part No. 493783.



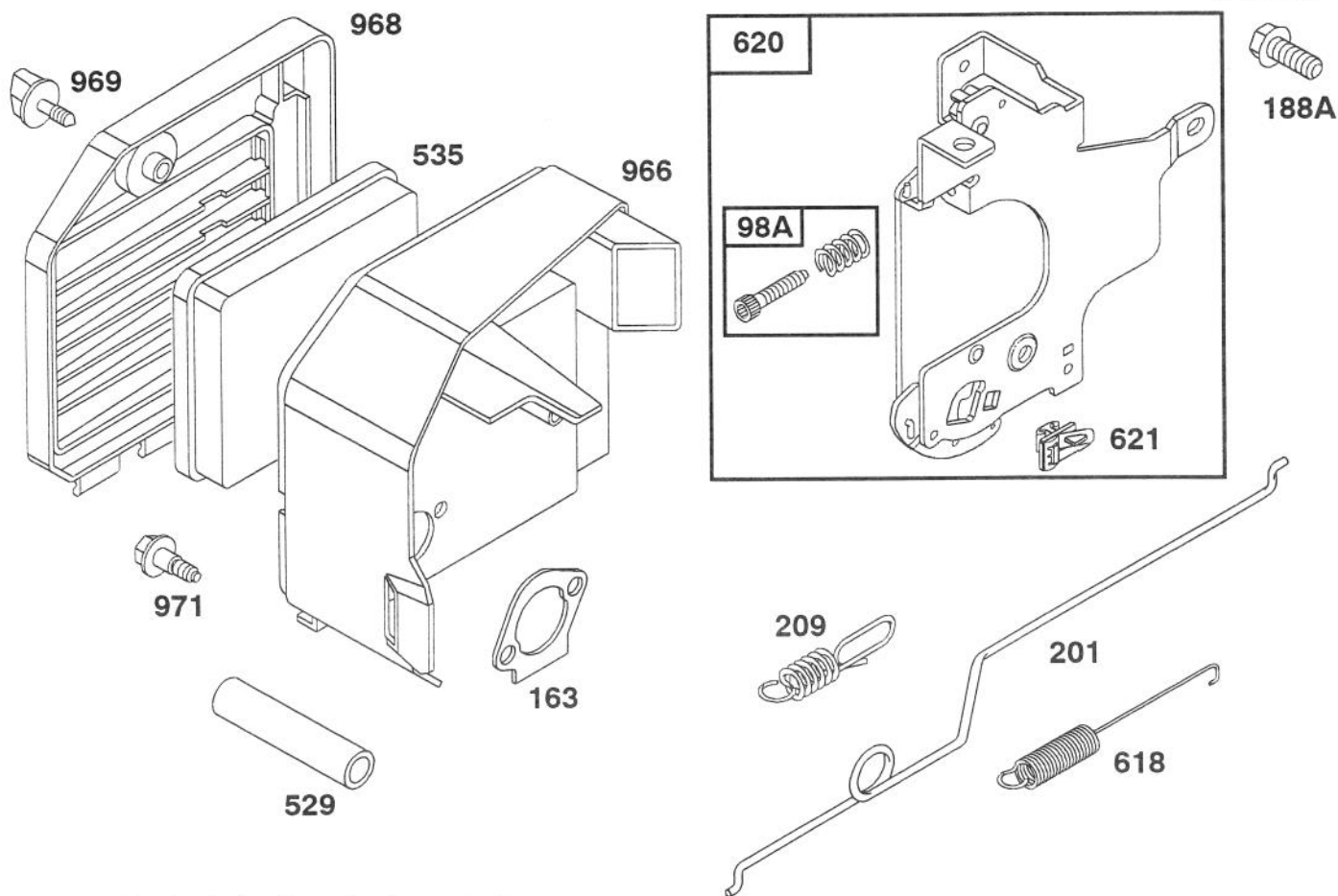
Assemblies include all parts shown in frames.

ENGINE GTS 150 77-9140

| Ref. No. | Part No. | Description | No. Used |
|----------|----------|------------------------------|----------|
| 95 | 77-8090 | Screw-Valve Mtg | 1 |
| 98 | 77-8240 | Screw-Idle Adj | 1 |
| •104 | 77-8180 | Pin-Float Hinge | 1 |
| 108 | 77-8070 | Valve-Choke | 1 |
| ◆◆116 | 77-8210 | Sealing-Gasket | 1 |
| ◆118 | 77-8230 | Valve & Spring-Needle | 1 |
| ◆122 | 77-7820 | Adapter Assy | 1 |
| 124 | 77-7970 | Screw-Hex Head (carb mtg) | 1 |
| 125 | 77-8050 | Carburetor Assy | 1 |
| ◆127 | 77-8100 | Plug-Welch | 1 |
| 130 | 77-8080 | Valve-Throttle | 1 |
| 131 | 77-8160 | Shaft-Throttle | 1 |
| 133 | 77-8170 | Float-Carburetor | 1 |

| Ref. No. | Part No. | Description | No. Used |
|----------|----------|---|----------|
| ◆134 | 77-8110 | Valve-Inlet (Includes Seat) | 1 |
| 136 | 77-7240 | Bowl-Fuel | 1 |
| ◆◆137 | 77-8200 | Gasket-Float Bowl | 1 |
| 141 | 77-8130 | Shaft-Choke | 1 |
| 147 | 77-8120 | Adapter-Jet Note: For High Altitude Jet, Order Part No. 494236. | 1 |
| ◆634 | 77-8150 | Washer-Seal | 1 |
| 955 | 77-8220 | Screw-Hex Head | 1 |
| 975 | 77-8190 | Bowl Assy-Carburetor | 1 |
| 1011 | 77-8040 | Tube-Vent | 1 |
| ◆1039 | 77-7250 | Limiters-Float | 1 |

- ◆ Included in Carburetor Overhaul Kit-Part No. 493917.
- ◆ Included in Carburetor Gasket Set-Part No. 490937.



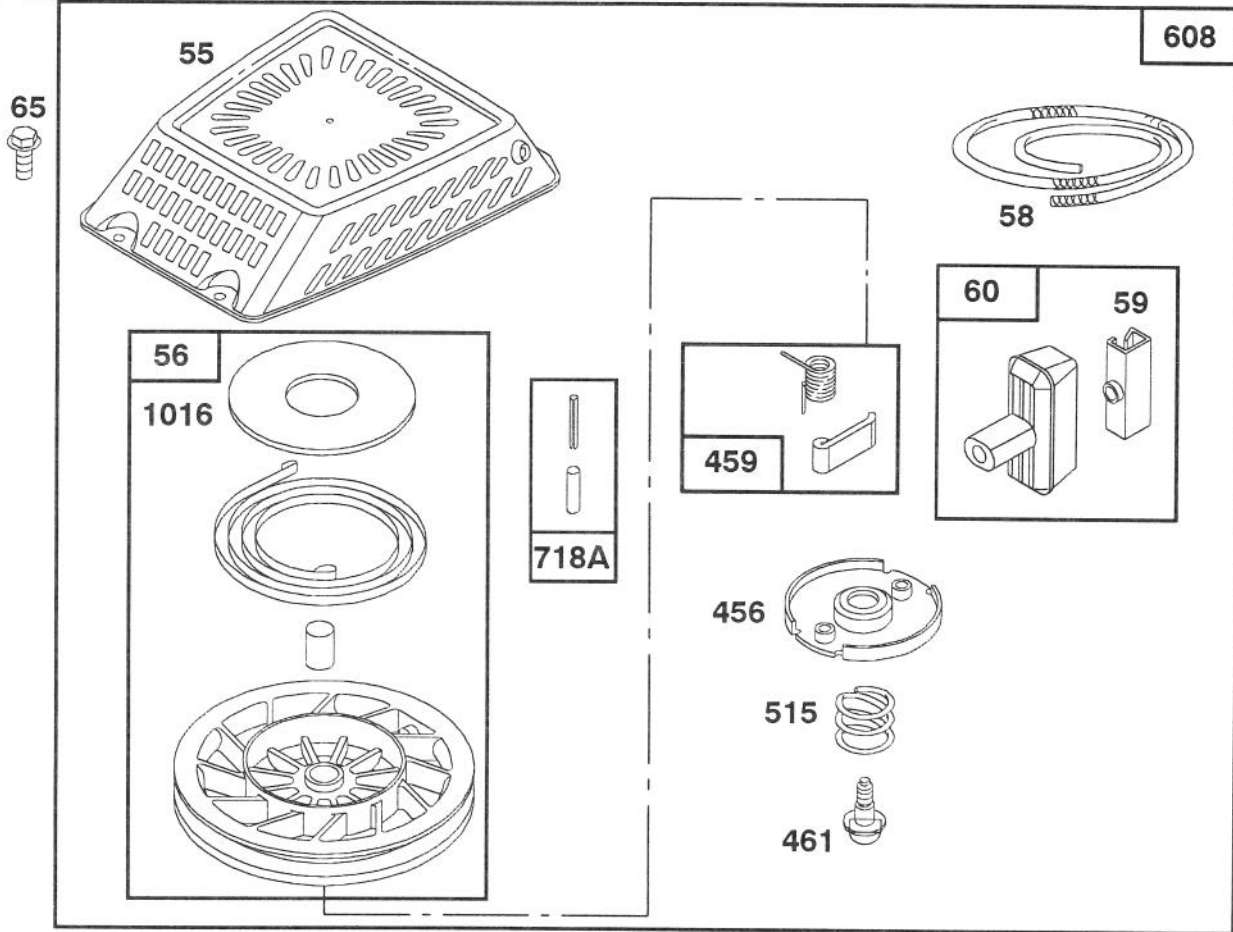
Assemblies include all parts shown in frames.

ENGINE GTS 150 77-9140

| Ref. No. | Part No. | Description | No. Used |
|----------|----------|----------------------|----------|
| 98A | 77-8020 | Screw Assy-Speed Adj | 1 |
| ★163 | 77-7960 | Gasket-Air Cleaner | 1 |
| 188A | 77-9210 | Screw-Hex Head | 2 |
| 201 | 77-7980 | Link-Governor | 1 |
| 209 | 77-7990 | Spring-Governor | 1 |
| 529 | 77-8030 | Tube-Breather | 1 |
| 535 | 77-7950 | Element-Filter | 1 |

| Ref. No. | Part No. | Description | No. Used |
|----------|----------|--------------------|----------|
| 618 | 77-8140 | Spring-Choke | 1 |
| 620 | 77-8000 | Bracket-Carburetor | 1 |
| 621 | 77-8010 | Switch-Stop | 1 |
| 966 | 77-7940 | Base Air Cleaner | 1 |
| 968 | 77-7040 | Cover-Air Cover | 1 |
| 969 | 77-7920 | Screw-Air Cleaner | 1 |
| 971 | 77-7930 | Screw-Air Cleaner | 1 |

★ Included in Gasket Set-Part No. 493783.

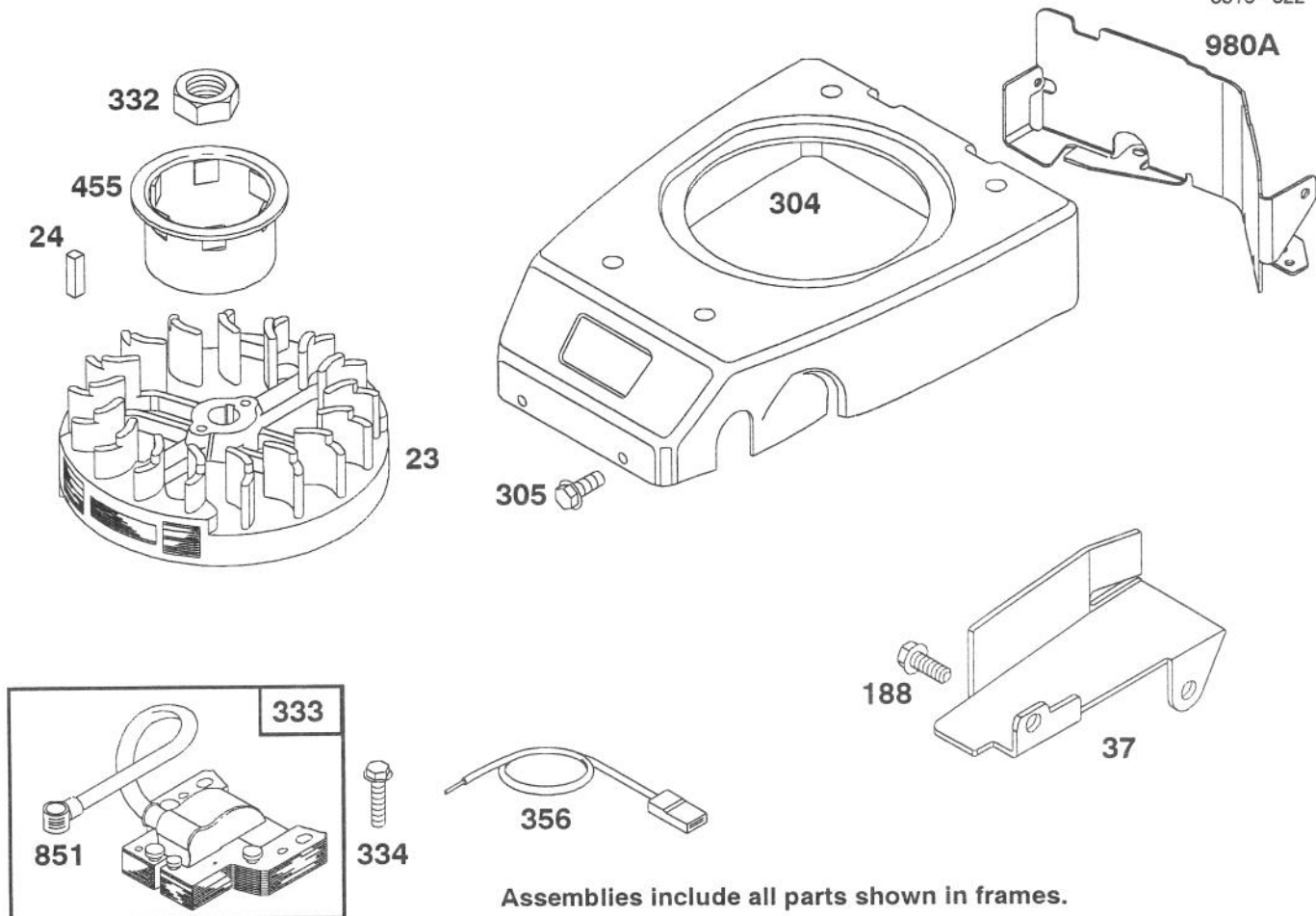


Assemblies include all parts shown in frames.

ENGINE GTS 150 77-9140

| Ref. No. | Part No. | Description | No. Used |
|----------|----------|----------------------------|----------|
| 55 | 77-8890 | Housing-Rewind Starter | 1 |
| 56 | 77-8560 | Pulley-Rewind Starter | 1 |
| 58 | 77-8480 | Rope-Starter (Cut To Suit) | 1 |
| 59 | 77-7210 | Insert-Rewind Handle | 1 |
| 60 | 77-8520 | Handle-Rewind Starter | 1 |
| 65 | 77-8300 | Screw-Hex Head | 1 |
| 456 | 77-8470 | Retainer-Rewind Starter | 1 |

| Ref. No. | Part No. | Description | No. Used |
|----------|----------|----------------------|----------|
| 459 | 77-8530 | Pawl-Starter | 1 |
| 461 | 77-8490 | Screw-Rewind Starter | 1 |
| 515 | 77-8500 | Spring-Torsion | 1 |
| 608 | 77-8840 | Starter Assy-Rewind | 1 |
| 718A | 77-8550 | Pin-Spring | 1 |
| 1016 | 77-8570 | Cover-Spring | 1 |

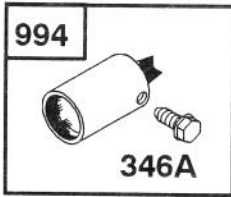
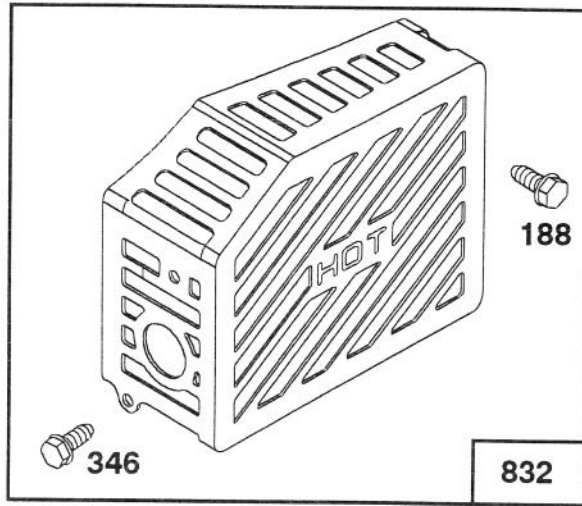
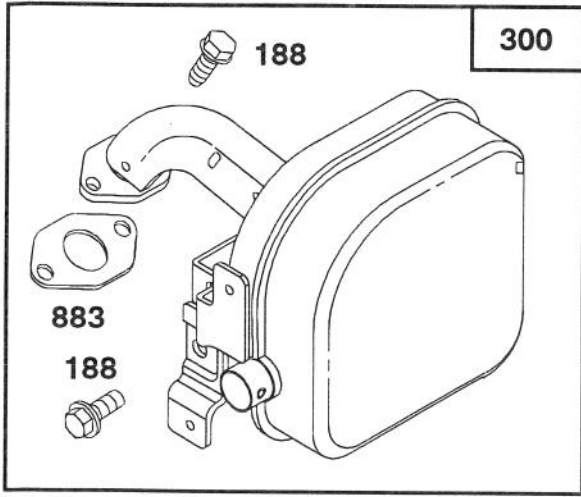


Assemblies include all parts shown in frames.

ENGINE GTS 150 77-9140

| Ref. No. | Part No. | Description | No. Used |
|----------|----------|-------------------------|----------|
| 23 | 77-8330 | Flywheel-Magneto | 1 |
| 24 | 77-8340 | Key-Flywheel | 1 |
| 37 | 77-9170 | Guard-Flywheel | 1 |
| 188 | 77-7450 | Screw-Hex Head | 4 |
| 304 | 77-9160 | Housing-Blower | 1 |
| 305 | 77-8310 | Screw-Hex Head (bl hsg) | 4 |
| 332 | 77-8360 | Nut-Flywheel | 1 |

| Ref. No. | Part No. | Description | No. Used |
|----------|----------|------------------------|----------|
| 333 | 77-8420 | Armature-Magneto | 1 |
| 334 | 77-8440 | Screw-Armature Mtg. | 1 |
| 356 | 77-8400 | Wire-Ground | 1 |
| 455 | 77-8350 | Cup-Starter | 1 |
| 851 | 77-8430 | Terminal-Spark Plug | 1 |
| 980A | 77-9180 | Bracket-Blower Housing | 1 |



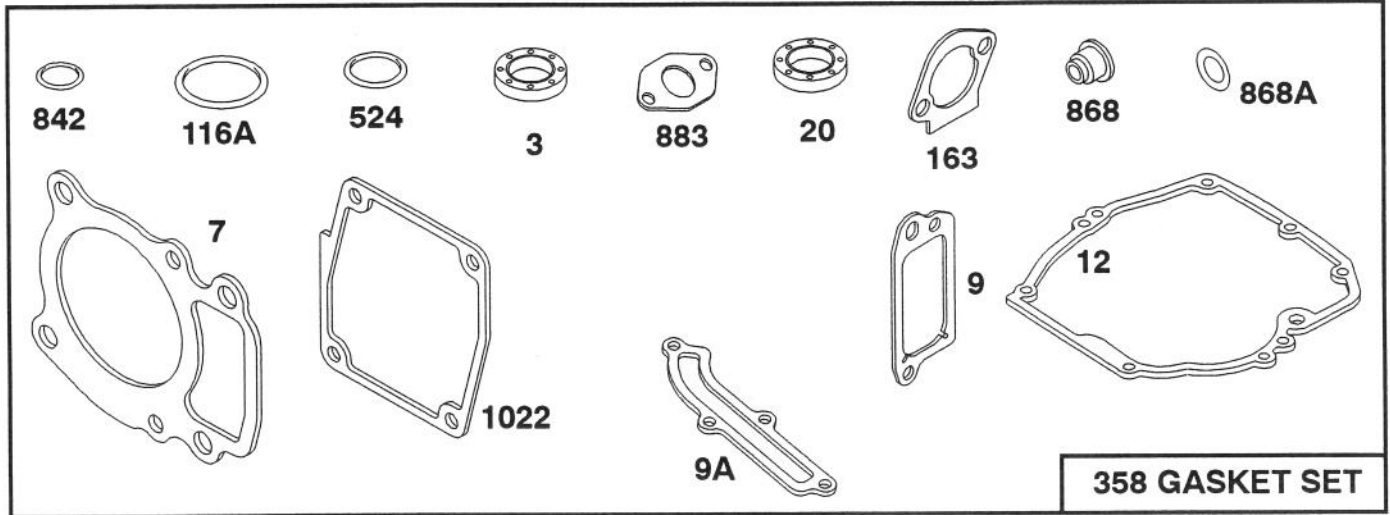
Assemblies include all parts shown in frames.

ENGINE GTS 150 77-9140

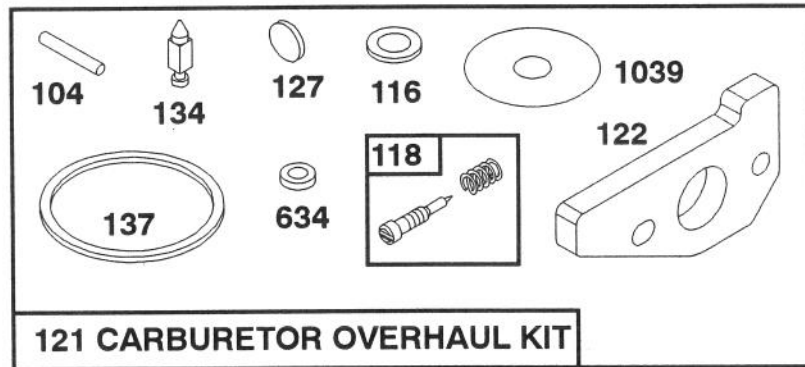
| Ref. No. | Part No. | Description | No. Used |
|----------|----------|--------------------|----------|
| 188 | 77-7450 | Screw-Hex Head | 1 |
| 300 | 77-8640 | Muffler-Exhaust | 1 |
| 346 | 77-8650 | Screw-Hex | 1 |
| 346A | 77-9050 | Screw-Arrester Mtg | 1 |

| Ref. No. | Part No. | Description | No. Used |
|----------|----------|----------------|----------|
| 832 | 77-8660 | Guard-Muffler | 1 |
| ★883 | 77-7760 | Gasket-Exhaust | 1 |
| 994 | 77-9040 | Arrester-Spark | 1 |

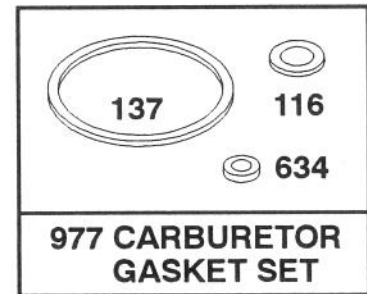
★ Included in Gasket Set-Part No. 493783.



358 GASKET SET



121 CARBURETOR OVERHAUL KIT



977 CARBURETOR GASKET SET

Assemblies include all parts shown in frames.

ENGINE GTS 150 77-9140

| Ref. No. | Part No. | Description | No. Used |
|----------|----------|--------------------------------|----------|
| ★3 | 77-9060 | Seal-Oil | 1 |
| ★7 | 77-7740 | Gasket-Cylinder Head | 1 |
| ★9 | 77-9440 | Gasket-Breather | 1 |
| ★9A | 77-7410 | Gasket-Breather | 1 |
| ★12 | 77-7550 | Gasket-Engine Base | 1 |
| ★20 | 77-7570 | Seal-Oil | 1 |
| ●104 | 77-8180 | Pin-Float Hinge | 1 |
| ◆116 | 77-8210 | Sealing-Gasket | 1 |
| ★116A | 77-7660 | O-Ring | 1 |
| ●118 | 77-8230 | Valve & Spring-Needle | 1 |
| 121 | 77-8920 | Overhaul Kit-Carburetor | 1 |
| ●122 | 77-7820 | Adapter Assy. | 1 |
| ●127 | 77-8100 | Plug-Welch | 1 |
| ●134 | 77-8110 | Valve-Inlet (Includes Seat) | 1 |

| Ref. No. | Part No. | Description | No. Used |
|----------|----------|-----------------------|----------|
| ◆137 | 77-8200 | Gasket-Float Bowl | 1 |
| ★163 | 77-7960 | Gasket-Air Cleaner | 1 |
| 358 | 77-8900 | Gasket Set | 1 |
| ★524 | 77-7270 | Seal-O Ring | 1 |
| ◆634 | 77-8150 | Washer-Seal | 1 |
| ★842 | 77-7300 | Seal-O Ring | 1 |
| ★868 | 77-7890 | Seal Assy.-Valve | 1 |
| ★868A | 77-7900 | Seal-Valve | 1 |
| ★883 | 77-7760 | Gasket-Exhaust | 1 |
| 977 | 77-8930 | Carburetor Gasket Set | 1 |
| ★1022 | 77-7320 | Gasket-Rocker Cover | 1 |
| ●1039 | 77-7250 | Limiters-Float | 1 |

● Included in Carburetor Overhaul Kit-Part No. 493917.
 ◆ Included in Carburetor Gasket Set-Part No. 490937.

★ Included in Gasket Set-Part No. 493783.

