



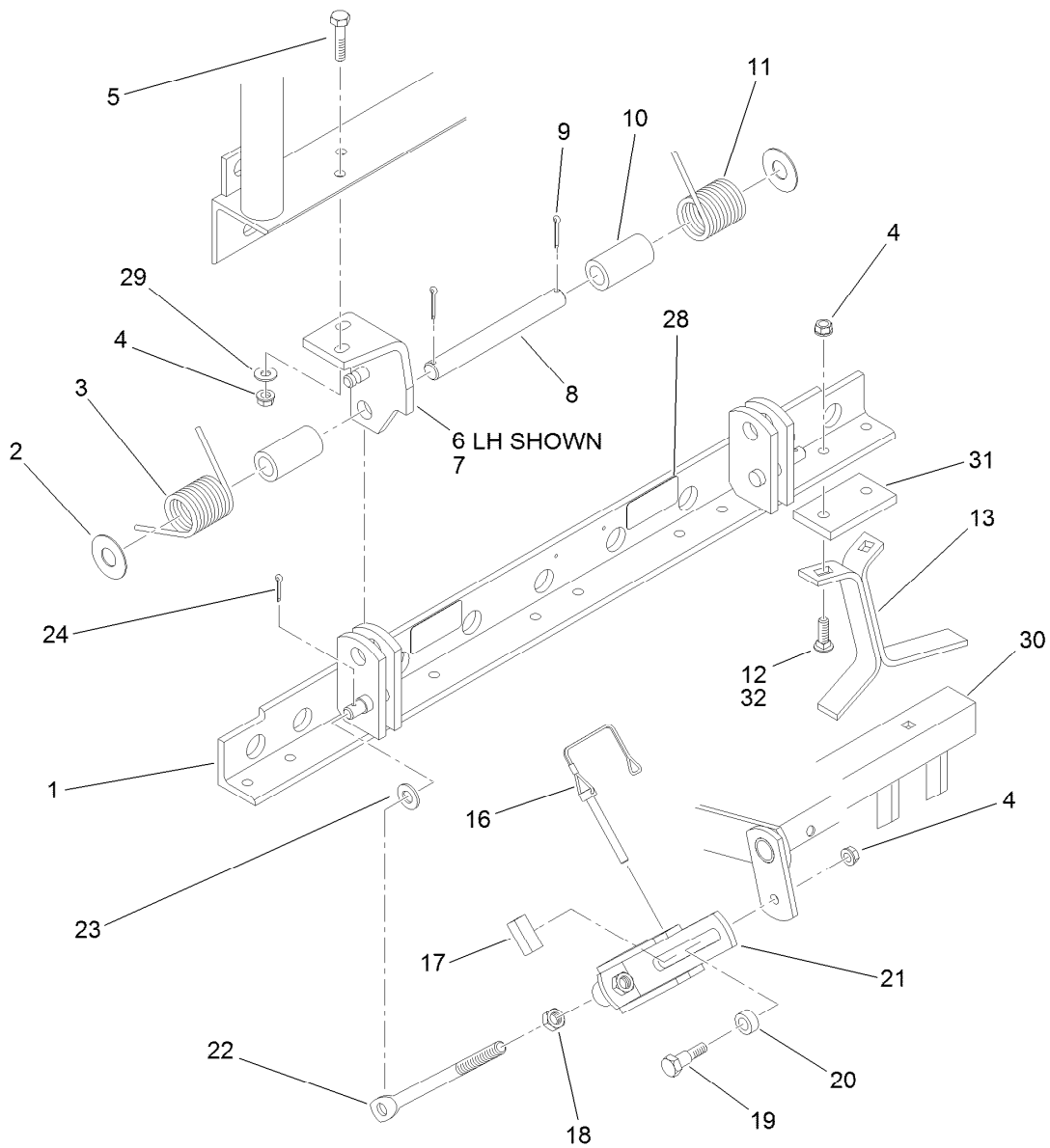
Count on it.

Parts Catalog

Weeder/Cultivator

Sand Pro®

Model No. 08815—Serial No. 40001 and Up



Weeder Assembly

Ref.	Part Number	Qty.	Description	Ref.	Part Number	Qty.	Description
1	92-8953-03	1	Angle ASM	17	85-0260	2	Block
2	67-0860	4	Washer-Steering	18	3217-9	2	Nut-HH
3	85-0140	2	Spring-Torsion, LH	19	85-0240	2	Bolt-Shoulder
4	3296-39	16	Nut-Lock, NI	20	85-0250	2	Spacer
5	323-9	4	Screw-HH	21	85-0190-03	2	Lift Arm ASM
6	92-8957-03	1	LH Bracket ASM	22	85-0230	2	Rod-Adjustment
7	92-8955-03	1	RH Bracket ASM ●	23	3256-26	2	Washer-Flat
8	85-0120	2	Pin	24	3272-12	2	Pin-Cotter
9	3272-18	4	Pin-Cotter	28	93-6674	2	Decal-Warning
10	85-0130	4	Spacer-Spring	29	3256-3	4	Washer-Flat
11	85-0150	2	Spring-Torsion, RH	30	92-7162-03	1	Scarifier ASM
12	3231-25	10	Screw-CARR	31	92-8964	5	Strip-Spacer
13	85-0160-03	5	18 DEG Sweep ASM	32	3231-5	10	Screw-CARR
16	85-0270	2	Pin-Lock				

● Not illustrated

Attachments and Accessories

For 08815 Weeder/Cultivator Sand Pro

Product Name

Model/Part

Mounting Kit..... 08814



Count on it.