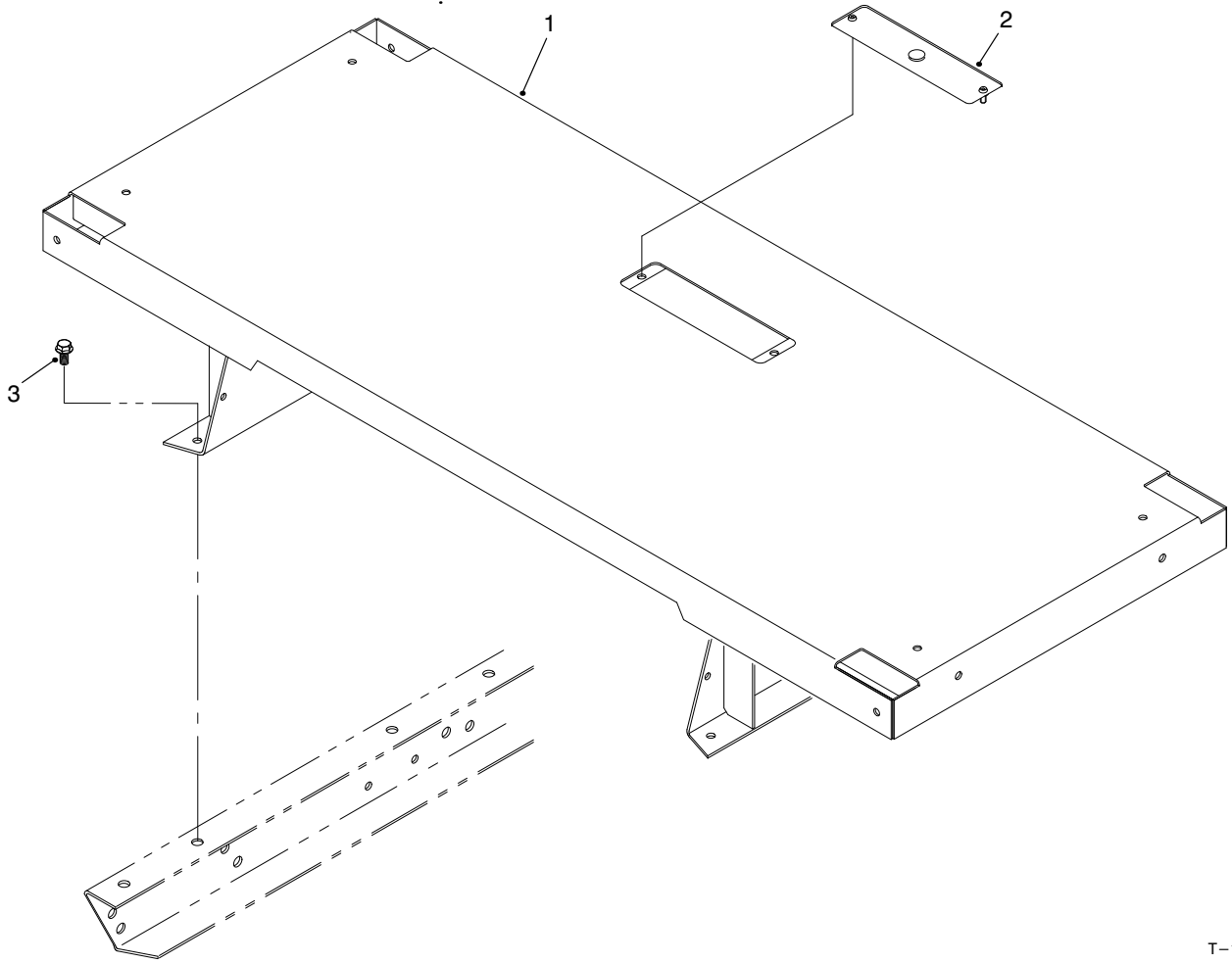




MODEL NO. 07341	PARTS CATALOG
1/3 AREA FLATBED KIT For Workman 3000 Series	



T-1549-2

1/3 AREA FLATBED ASSEMBLY

Ref. No.	Part No.	Description	No. Used
1		1/3 Flatbed Assembly	1
2	92-9028	Cover Assembly	1

Ref. No.	Part No.	Description	No. Used
3	3234-1	Screw - Hex. Flange Hd.	4

TPS