



**Count on it.**

**Parts Catalog**

**53cm Super Recycler® Lawn Mower**

Model No. 20792—Serial No. 312000001 and Up

# Ordering Replacement Parts

To order replacement parts, please supply the part number, the quantity, and the description of each part desired.

## Understanding Reference Numbers

Each identified part in an illustration has a reference number. The reference number for a part also appears in the parts list, along with other information about the part.

This catalog uses two special reference number formats, one to indicate parts in a service assembly and another to indicate the quantity of a given part in an illustration.

## Service Assembly Reference Numbers

Parts in service assemblies have reference numbers in the form a:b. The a represents the reference number of the entire service assembly and the b represents a sequential number unique to each part within the service assembly.

For example, a wheel assembly might be identified by reference number 6, the tire by 6:1, the valve by 6:2, and the wheel by 6:3. When you order the assembly identified by reference number 6, you receive all parts identified by reference numbers 6:1, 6:2, and 6:3. However, you may also order any part individually. Reference numbers of this type appear in illustration and in parts lists.

## Reference Numbers Indicating Quantity

In an illustration, if a reference number indicates more than one part, the reference number has the form nX y. The n represents the quantity of the part, the X is the multiplication symbol, and the y represents the reference number.

For example, in an illustration, the reference number 2X 37 means that two of the parts identified by reference number 37 are indicated.

# List of Abbreviations

**AR:** as required

**ASM:** assembly

**BBC:** blade brake control

**BHTF:** button head thread forming

**CARR:** carriage

**CCW:** counter clockwise

**CW:** clockwise

**DEG:** degrees

**DPA:** Dual Point Adjustment

**ECM:** electronic control module

**EXT:** external

**FH:** flat head

**GA:** gauge

**HD:** heavy-duty

**HF:** hex flange

**HH:** hex head

**HHF:** hex head flange

**HHFTF:** hex head flange thread forming

**HJ:** hex jam

**HLH:** hex lag head

**HOC:** height-of-cut

**HSBH:** hex socket button head

**HSFH:** hex socket flat head

**HSH:** hex socket head

**HWH:** hex washer head

**HWHTF:** hex washer head thread forming

**HYD:** hydraulic

**LH:** left hand

**LP:** Liquid Propane

**NI:** nylon insert

**NPTF:** national pipe thread fine

**PFH:** phillips flat head

**PPH:** phillips pan head

**PPHTF:** phillips pan head thread forming

**PRH:** phillips round head

**PTH:** phillips truss head

**PTO:** power-take-off

**RH:** right hand

**ROPS:** roll-over protection system

**RRB:** rear roller brush

**SFH:** slotted fillister head

**SHH:** slotted hex head

**SHWH:** slotted hex washer head

**SPH:** slotted pan head

**SQH:** square head

**SRH:** slotted round head

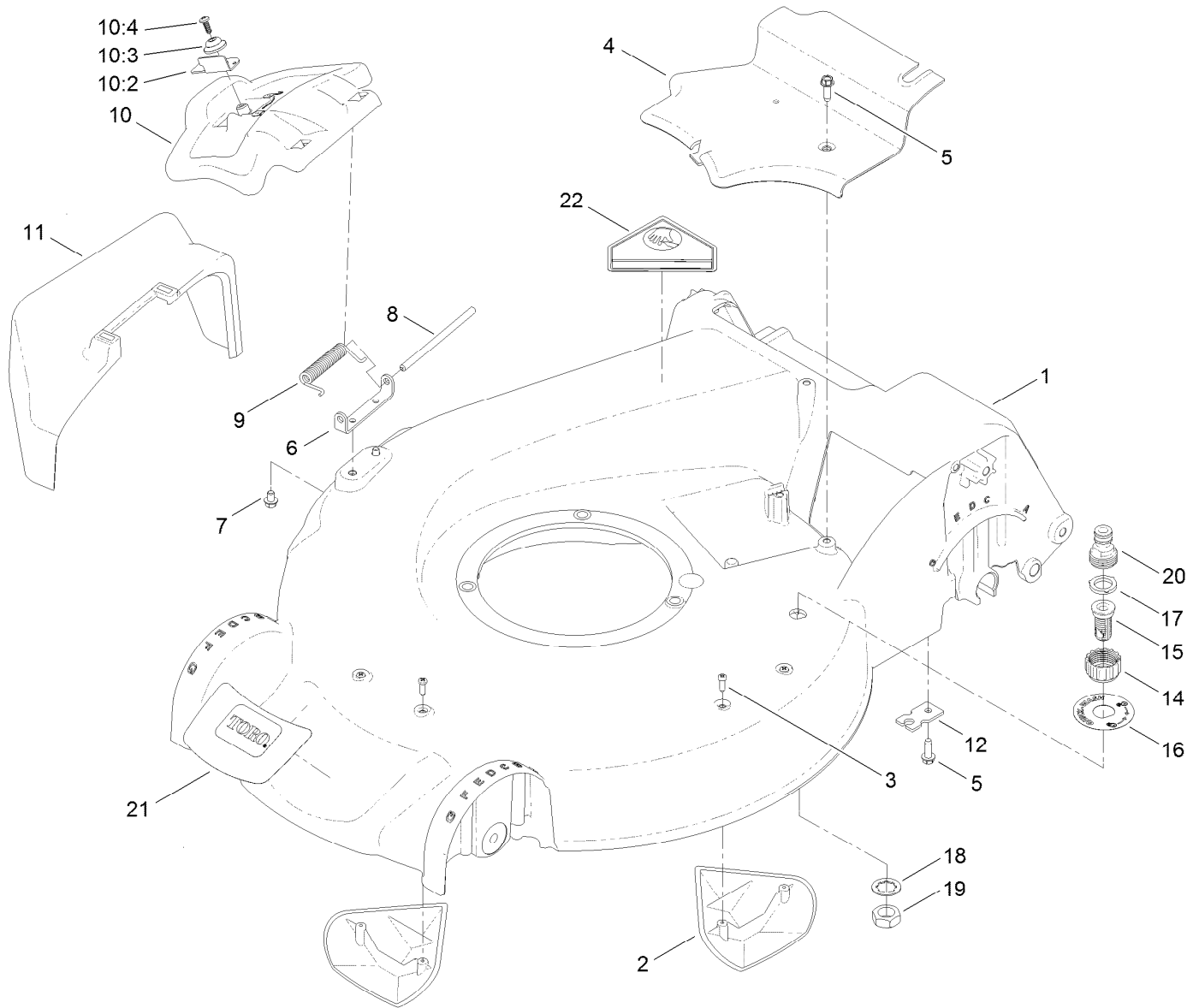
**STD:** standard

**TAP:** self tapping

**TTH:** torx truss head

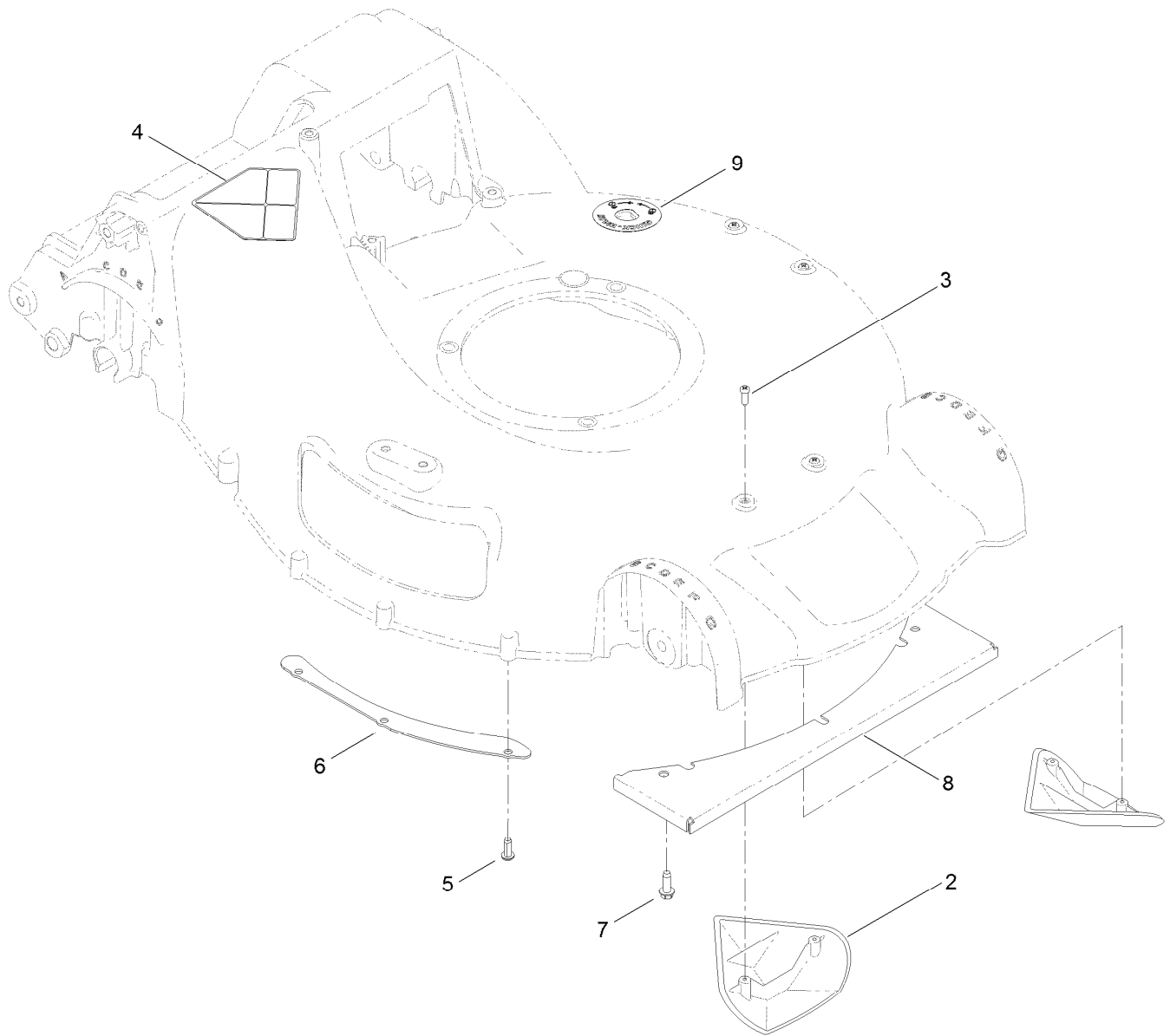
# Contents

Deck Assembly .....	4
Housing Assembly No. 115-2855 .....	5
Rear Door and Mulch Plug Assembly .....	6
Bag Assembly .....	7
Engine and Blade Assembly .....	8
Front Wheel and Height-of-Cut Assembly .....	9
Rear Wheel and Height-of-Cut Assembly .....	10
Handle Assembly .....	11
Attachments and Accessories .....	12



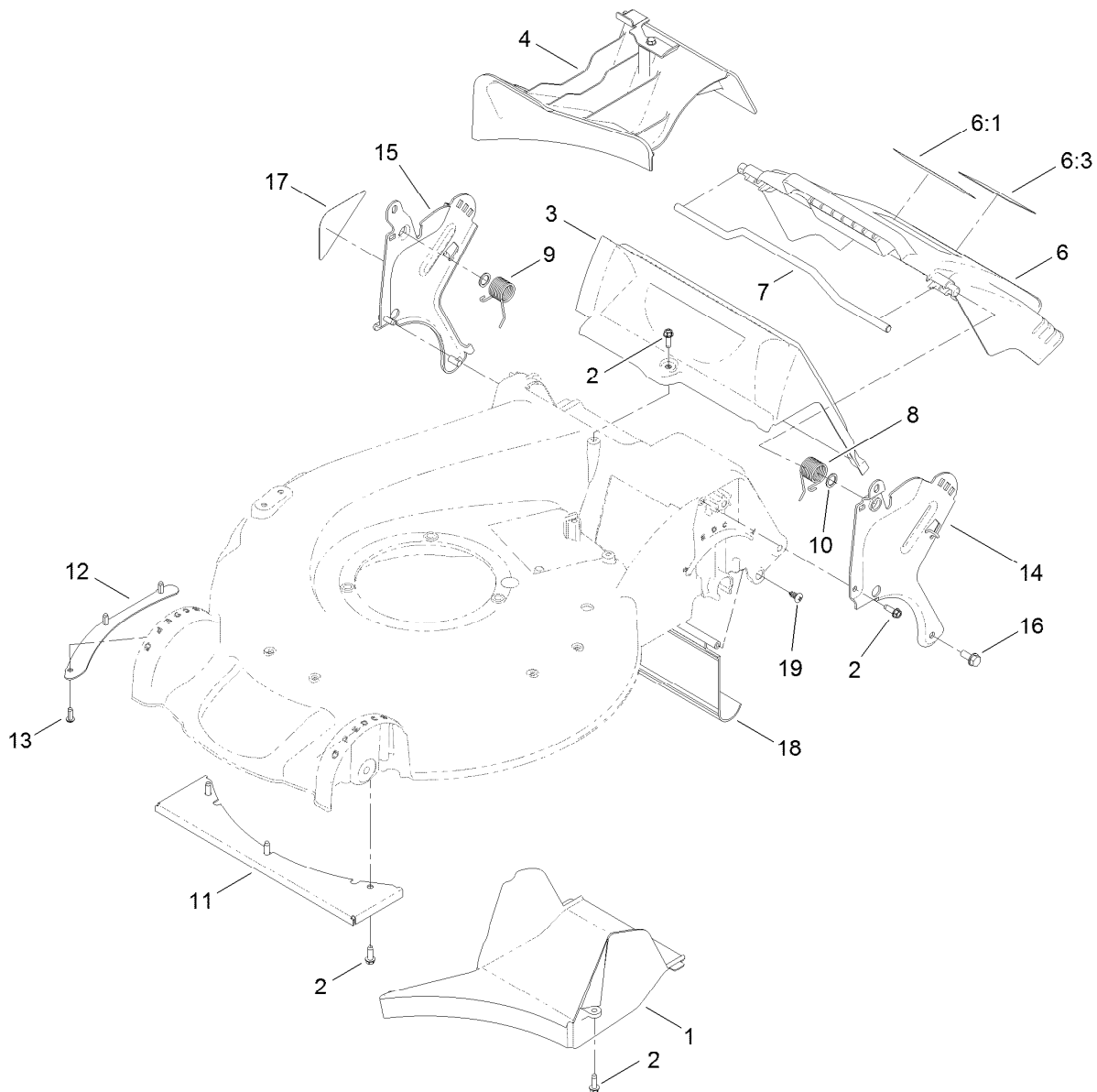
## Deck Assembly

Ref.	Part Number	Qty.	Description	Ref.	Part Number	Qty.	Description
1	115-2855	1	Housing ASM	11	108-3753	1	Chute-Discharge, Side
2	108-3798	2	Kicker-Housing	12	107-7497	1	Bracket-Cable, Traction
3	32144-111	4	Screw-PPH	14	112-6401	1	Coupling-Hose, Washout Port
4	107-7494	1	Cover-Belt	15	112-6400	1	Port-Washout
5	49-2040	2	Screw-HWHTF	16	112-8867	1	Decal-Port, Washout
6	112-6416	1	Bracket-Cover	17	112-6438	1	Washer-Seal, Washout Port
7	99-8445	2	Screw-HWH, Taptite	18	3254-5	1	Washer-Tooth, Internal
8	99-5291	1	Rod-Cover	19	3218-6	1	Nut-Jam
9	99-5293	1	Spring-Torsion	20	112-6437	1	Adapter-Connect, Quick
10	107-3717	1	Discharge Door ASM	21	120-5232	1	Decal-Deck
10:2	107-0795	1	Latch-Door	22	112-8760	1	Decal-Danger
10:3	107-7456	1	Cap-Door				
10:4	107-7461	1	Screw-Plastite				



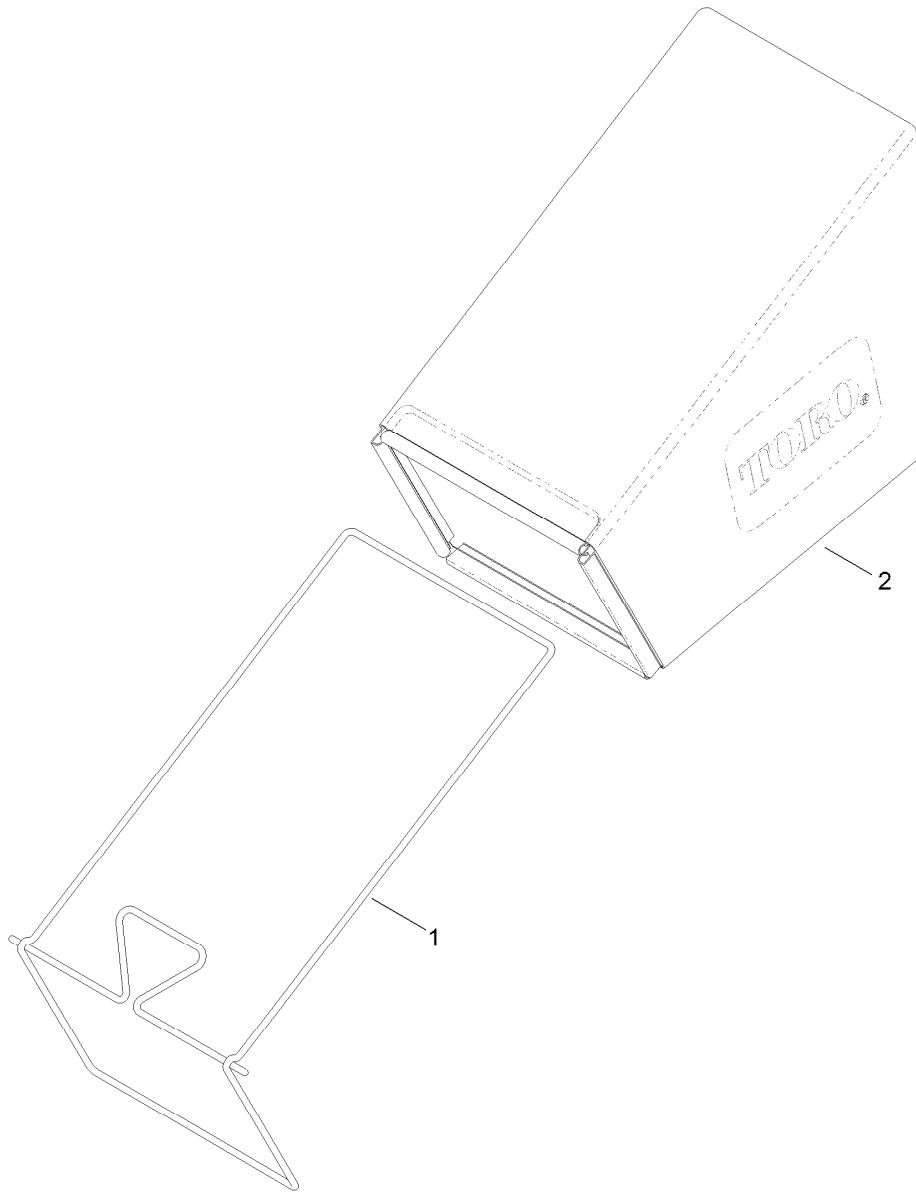
## Housing Assembly No. 115-2855

<i>Ref.</i>	<i>Part Number</i>	<i>Qty.</i>	<i>Description</i>
2	108-3798	2	Kicker-Housing
3	32144-111	4	Screw-PPH
4	112-8760	1	Decal-Danger
5	63-8590	3	Screw
6	105-1316-03	1	Sheet-Lip
7	49-2040	3	Screw-HWHTF
8	108-3797-03	1	Plate-Cover, Front
9	112-8867	1	Decal-Port, Washout



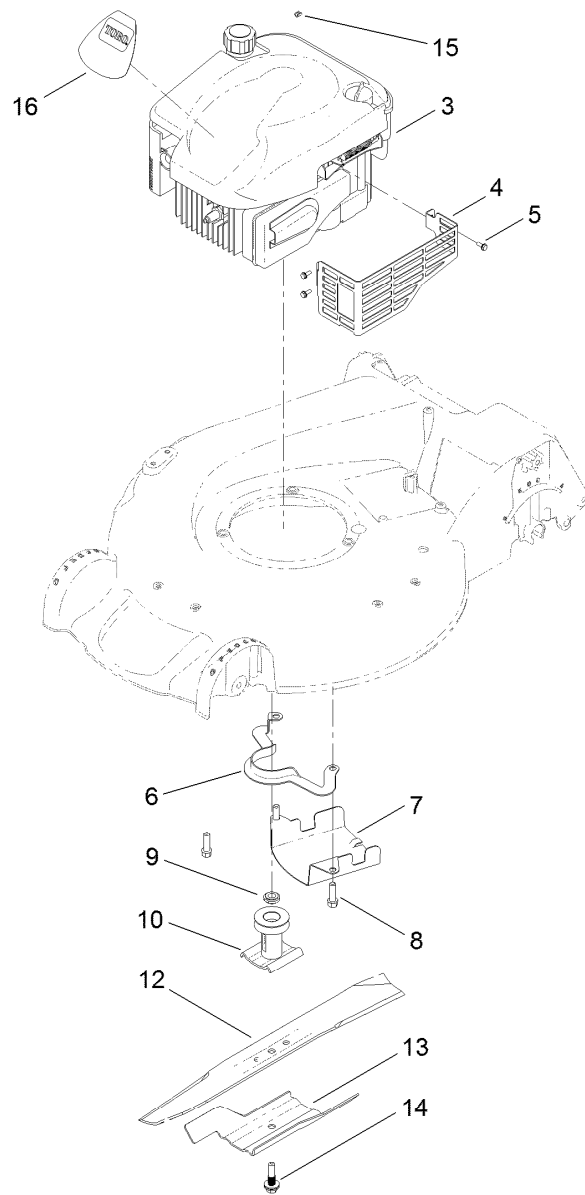
## Rear Door and Mulch Plug Assembly

<i>Ref.</i>	<i>Part Number</i>	<i>Qty.</i>	<i>Description</i>	<i>Ref.</i>	<i>Part Number</i>	<i>Qty.</i>	<i>Description</i>
1	107-7495	1	Tunnel-Discharge	10	94-8196	2	Washer-Nylon
2	49-2040	8	Screw-HWHTF	11	108-3797-03	1	Plate-Cover, Front
3	114-2668	1	Chute	12	105-1316-03	1	Sheet-Lip
4	115-8413	1	Mulch Plug ASM	13	63-8590	3	Screw
6	119-3803	1	Rear Door ASM	14	114-2671-03	1	Bracket-Handle, LH
6:1	114-7982	1	Decal-Warning	15	114-2672-03	1	Bracket-Handle, RH
6:3	104-7908	1	Decal-Warning	16	32144-11	2	Screw-HWHTF
7	117-9378	1	Rod-Deflector	17	115-2884	1	Decal-Instruction
8	115-2859	1	Spring-Torsion	18	114-1586	1	Shield-Trailing
9	114-7924	1	Spring-Torsion	19	117-1092	2	Screw-PTH



## Bag Assembly

<i>Ref.</i>	<i>Part Number</i>	<i>Qty.</i>	<i>Description</i>
1	121-2333-03	1	Frame-Bag
2	114-2664	1	Grass Bag ASM



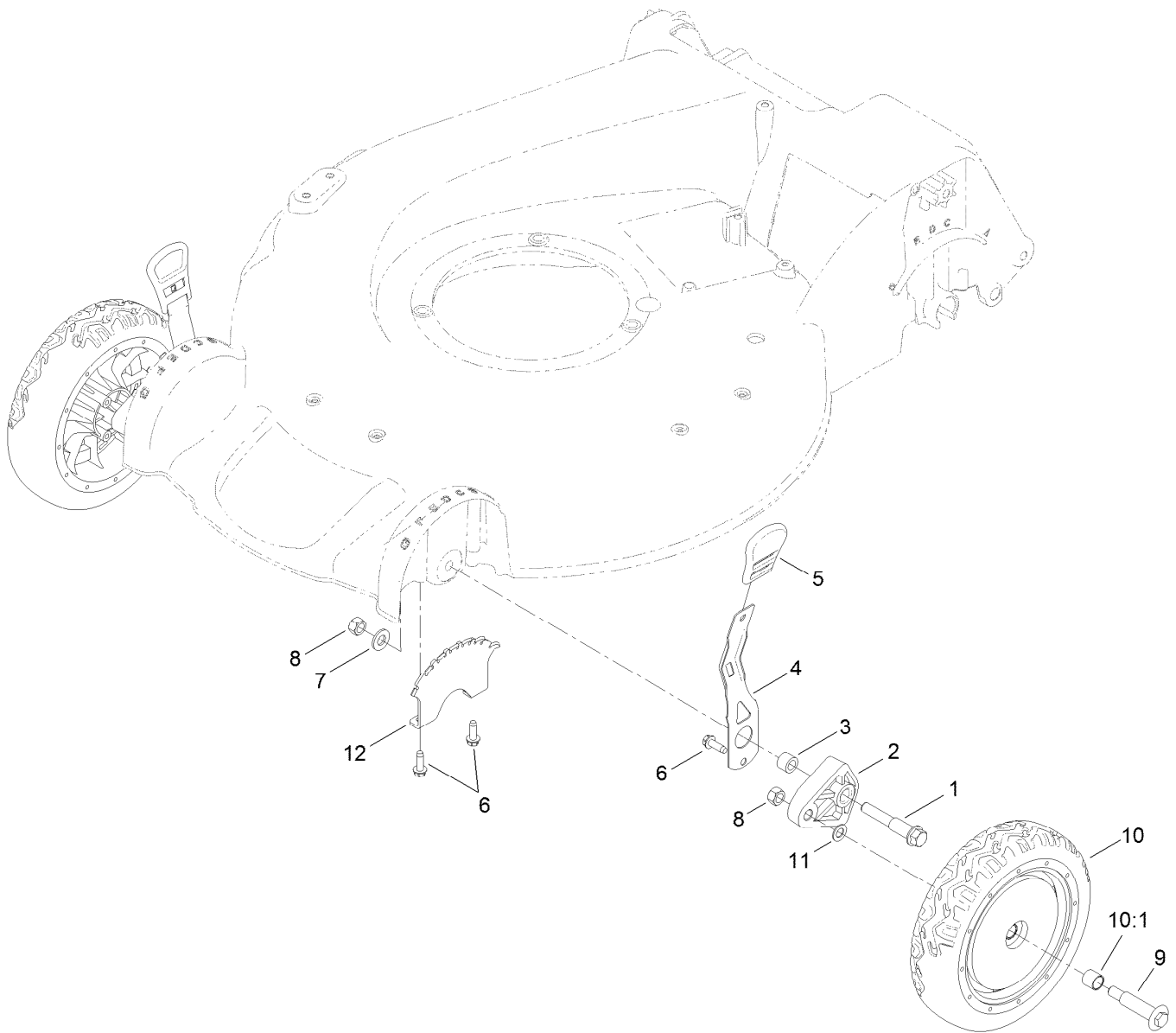
## Engine and Blade Assembly

Ref.	Part Number	Qty.	Description
3		1	Engine-Briggs, 126M020128F1 ●■
4	104-7577-03	1	Shield-Muffler
5	32144-1	3	Screw-Taptite
6	108-8110-03	1	Guide-Belt
7	107-7489-03	1	Shield-Grass
8	95-1727	3	Screw-Taptite
9	106-3999	1	Spacer-Driver
10	106-3987	1	Blade Driver ASM
12	108-3762-03	1	Blade-Recycling
13	105-6848-03	1	Accelerator-Blade
14	105-8579	1	Bolt-Blade
15	2210-316	1	Stop-Rope
16	120-3322	1	Decal-Shroud

● Not serviced separately

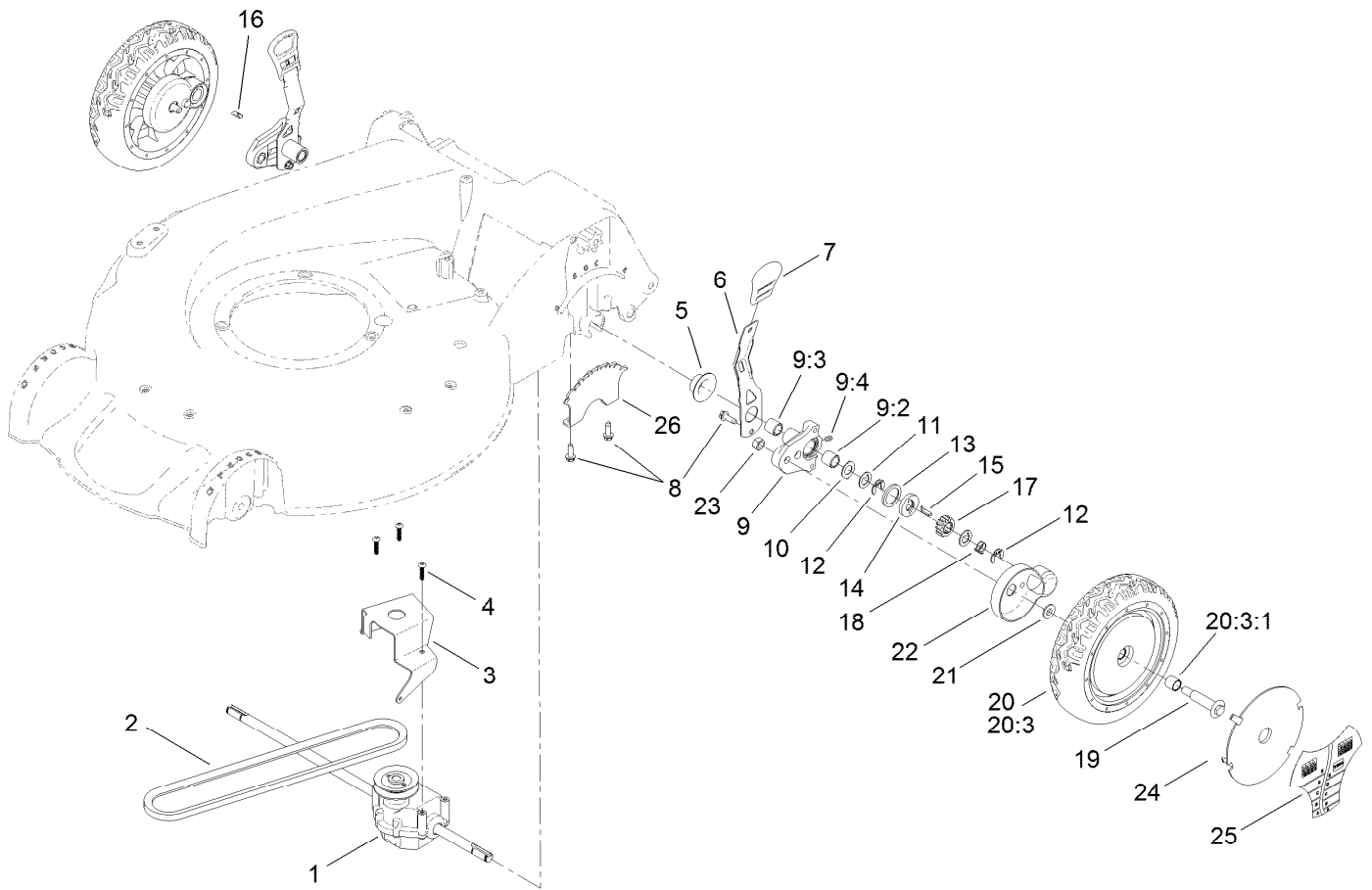
■ Obtain parts from [www.briggsandstratton.com](http://www.briggsandstratton.com)





## Front Wheel and Height-of-Cut Assembly

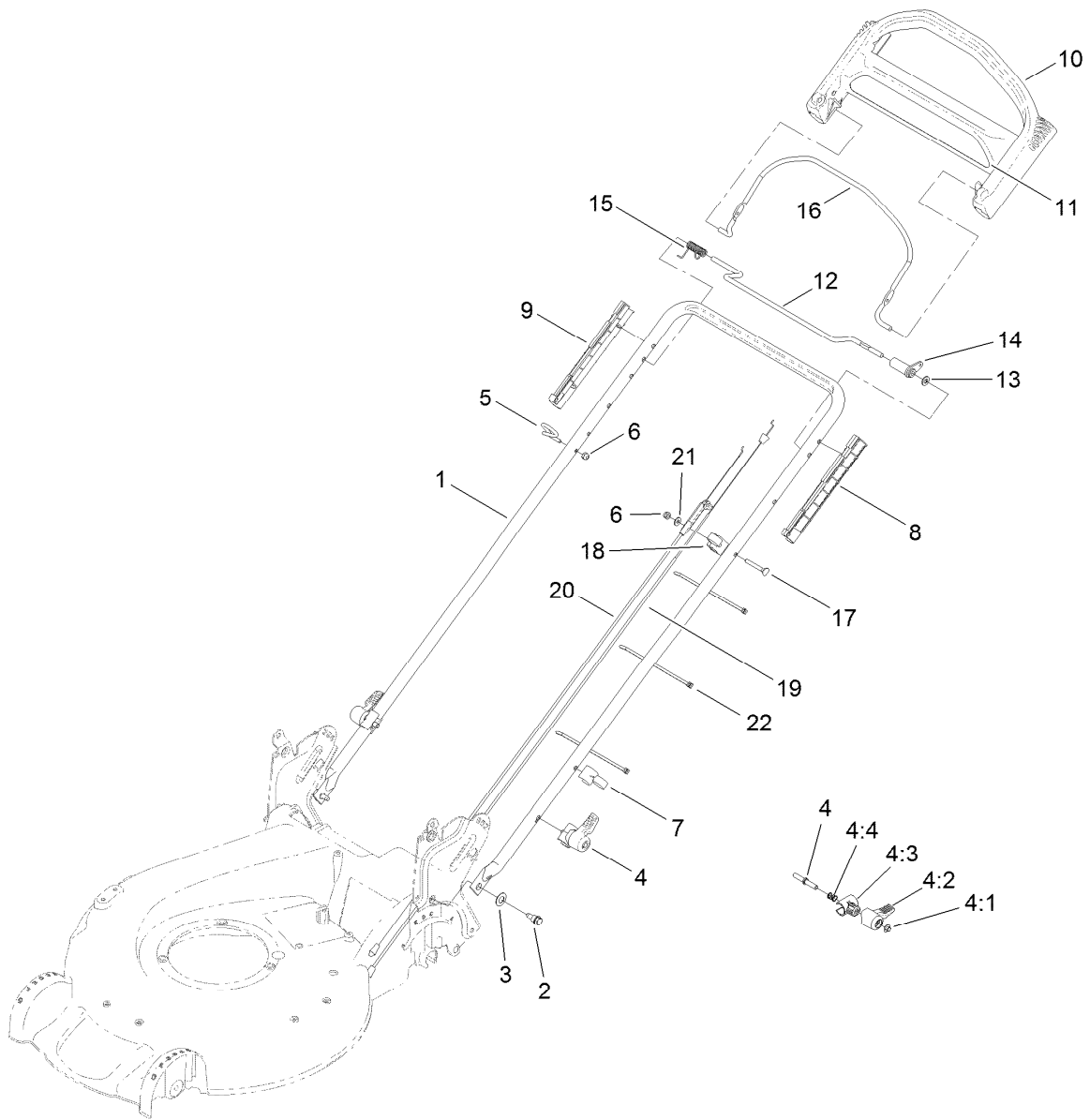
Ref.	Part Number	Qty.	Description
1	114-3467	2	Screw-Shoulder
2	107-7492	2	Arm-Pivot
3	52-2480	2	Spacer-Wheel
4	107-7491	2	Arm-Spring
5	110-0549	2	Knob-HOC
6	49-2040	6	Screw-HWHTF
7	3256-24	2	Washer-Flat
8	603773	4	Nut
9	92-1057	2	Bolt-Shoulder
10	107-3706	2	8 Inch Wheel ASM
10:1	27-6250	2	Bushing
11	40-1940	2	Washer
12	107-7478	2	Plate-HOC



## Rear Wheel and Height-of-Cut Assembly

Ref.	Part Number	Qty.	Description	Ref.	Part Number	Qty.	Description
1	115-4560	1	Transmission ASM	14	65-4760	2	Washer-Clutch
2	92-1043	1	V-Belt	15	66-6050	1	Key-Rocking, LH
3	114-7977-03	1	Bracket-Transmission	16	66-6040	1	Key-Rocking, RH
4	108-7476	3	Screw-Plastite	17	65-4750	2	Gear-Pinion
5	42-3520	2	Cap-End	18	65-4720	2	Spring-Compression
6	107-7491	2	Arm-Spring	19	92-1057	2	Bolt-Shoulder
7	110-0549	2	Knob-HOC	20	107-3707	2	8 Inch Wheel And Gear ASM
8	49-2040	6	Screw-HWHTF	20:3		1	8 Inch Wheel ASM ●
9	100-8774	2	Pivot Arm ASM	20:3:1	27-6250	2	Bushing
9:2	47-2900	1	Bushing	21	74-1671	2	Spacer-Cover, Wheel
9:3	70-9760	1	Bushing	22	74-1660	2	Cover-Wheel
9:4	302-56	1	Fitting-Grease	23	603773	2	Nut
10	65-4730	2	Washer-Arm, Pivot	24	100-6351	1	Cover-Wheel
11	65-4740	4	Washer-Thrust, Keyed	25	100-1519	1	Label-Wheel, Smart
12	65-2720	4	Ring-Clip, Locking	26	107-7478	2	Plate-HOC
13	65-4710	2	Ring-Friction				

● Not serviced separately



## Handle Assembly

<i>Ref.</i>	<i>Part Number</i>	<i>Qty.</i>	<i>Description</i>	<i>Ref.</i>	<i>Part Number</i>	<i>Qty.</i>	<i>Description</i>
1	115-1300-05	1	Handle	10	104-8678	1	Handle-Control
2	115-1958	2	Bolt-Shoulder	11	120-3911	1	Decal-Ads, Handle
3	112-9972	2	Washer-Conical, Spring	12	99-1588	1	Bar-Control, Traction
4	115-2860	2	Quick Release ASM	13	3256-23	1	Washer-Flat
4:1	109-0917	1	Nut-Push	14	99-1589	1	Lever-Traction
4:2	114-7995	1	Lever	15	104-8690	1	Spring-Torsion
4:3	114-7996	1	Anchor-Spring	16	104-8679-03	1	Bail-Brake
4:4	115-2858	1	Spring-Compression	17	95-4453	1	Screw
5	86-9671	1	Guide-Rope	18	99-5239	1	Anchor-Cable
6	3296-73	2	Nut-Lock, NI	19	108-8158	1	Cable-Traction
7	114-7988	1	Guide-Cable	20	117-5900	1	Cable-Brake
8	105-6842	1	Guide-LH	21	3256-1	1	Washer-Flat
9	105-6841	1	Guide-RH	22	614249	3	Tie-Cable

# Attachments and Accessories

## For 20792 53cm Super Recycler Lawn Mower

Product Name	Model/Part
Traction Assist Handle Kit.....	108-8120
Cover-Lawnmower .....	490-7462

**Notes:**

**Notes:**

**Notes:**



**Count on it.**