



Count on it.

Parts Catalog

53cm Super Recycler® Lawn Mower

Model No. 20797—Serial No. 312000001 and Up

Ordering Replacement Parts

To order replacement parts, please supply the part number, the quantity, and the description of each part desired.

Understanding Reference Numbers

Each identified part in an illustration has a reference number. The reference number for a part also appears in the parts list, along with other information about the part.

This catalog uses two special reference number formats, one to indicate parts in a service assembly and another to indicate the quantity of a given part in an illustration.

Service Assembly Reference Numbers

Parts in service assemblies have reference numbers in the form a:b. The a represents the reference number of the entire service assembly and the b represents a sequential number unique to each part within the service assembly.

For example, a wheel assembly might be identified by reference number 6, the tire by 6:1, the valve by 6:2, and the wheel by 6:3. When you order the assembly identified by reference number 6, you receive all parts identified by reference numbers 6:1, 6:2, and 6:3. However, you may also order any part individually. Reference numbers of this type appear in illustration and in parts lists.

Reference Numbers Indicating Quantity

In an illustration, if a reference number indicates more than one part, the reference number has the form nX y. The n represents the quantity of the part, the X is the multiplication symbol, and the y represents the reference number.

For example, in an illustration, the reference number 2X 37 means that two of the parts identified by reference number 37 are indicated.

List of Abbreviations

AR: as required

ASM: assembly

BBC: blade brake control

BHTF: button head thread forming

CARR: carriage

CCW: counter clockwise

CW: clockwise

DEG: degrees

DPA: Dual Point Adjustment

ECM: electronic control module

EXT: external

FH: flat head

GA: gauge

HD: heavy-duty

HF: hex flange

HH: hex head

HHF: hex head flange

HHFTF: hex head flange thread forming

HJ: hex jam

HLH: hex lag head

HOC: height-of-cut

HSBH: hex socket button head

HSFH: hex socket flat head

HSH: hex socket head

HWH: hex washer head

HWHTF: hex washer head thread forming

HYD: hydraulic

LH: left hand

LP: Liquid Propane

NI: nylon insert

NPTF: national pipe thread fine

PFH: phillips flat head

PPH: phillips pan head

PPHTF: phillips pan head thread forming

PRH: phillips round head

PTH: phillips truss head

PTO: power-take-off

RH: right hand

ROPS: roll-over protection system

RRB: rear roller brush

SFH: slotted fillister head

SHH: slotted hex head

SHWH: slotted hex washer head

SPH: slotted pan head

SQH: square head

SRH: slotted round head

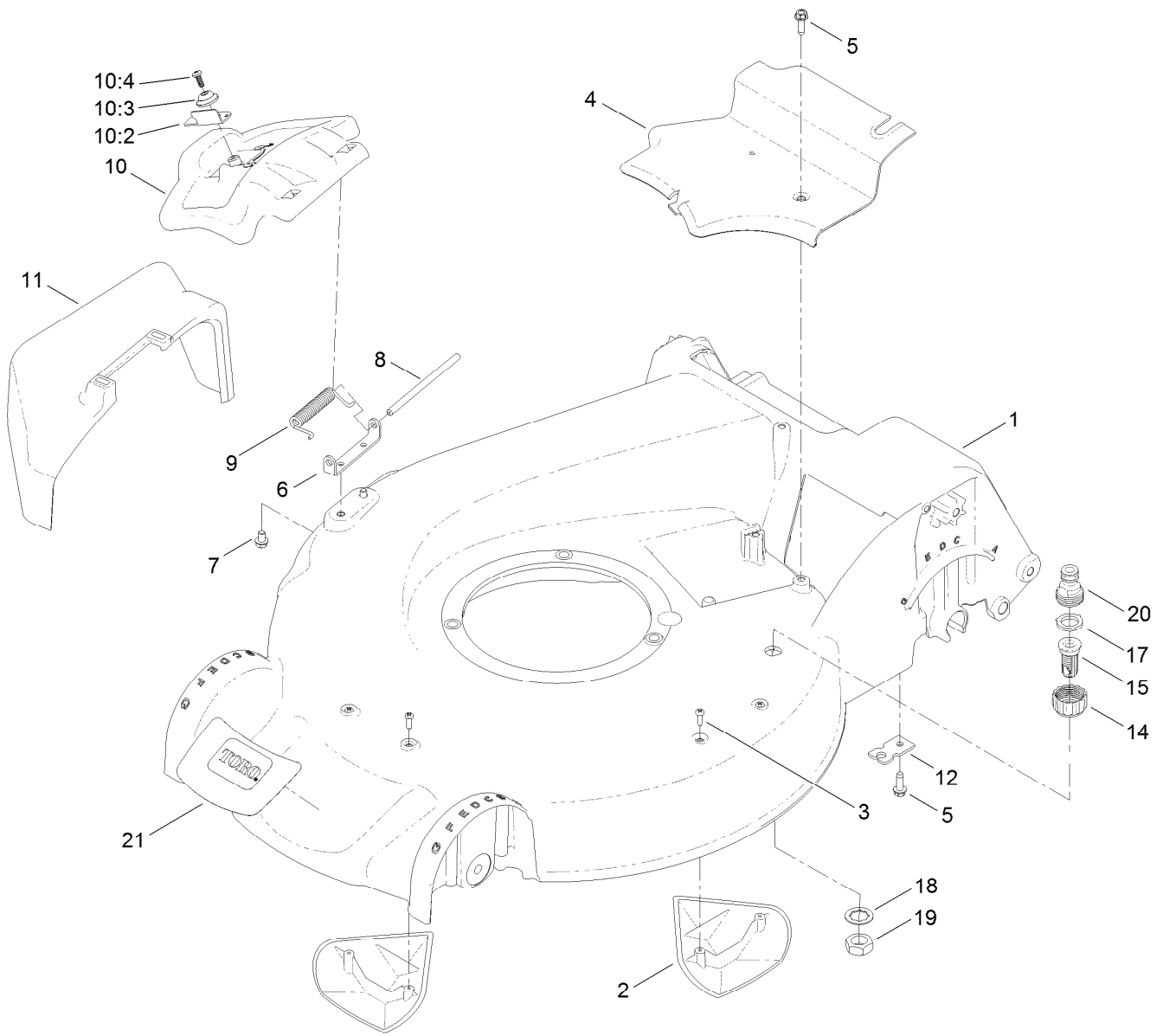
STD: standard

TAP: self tapping

TTH: torx truss head

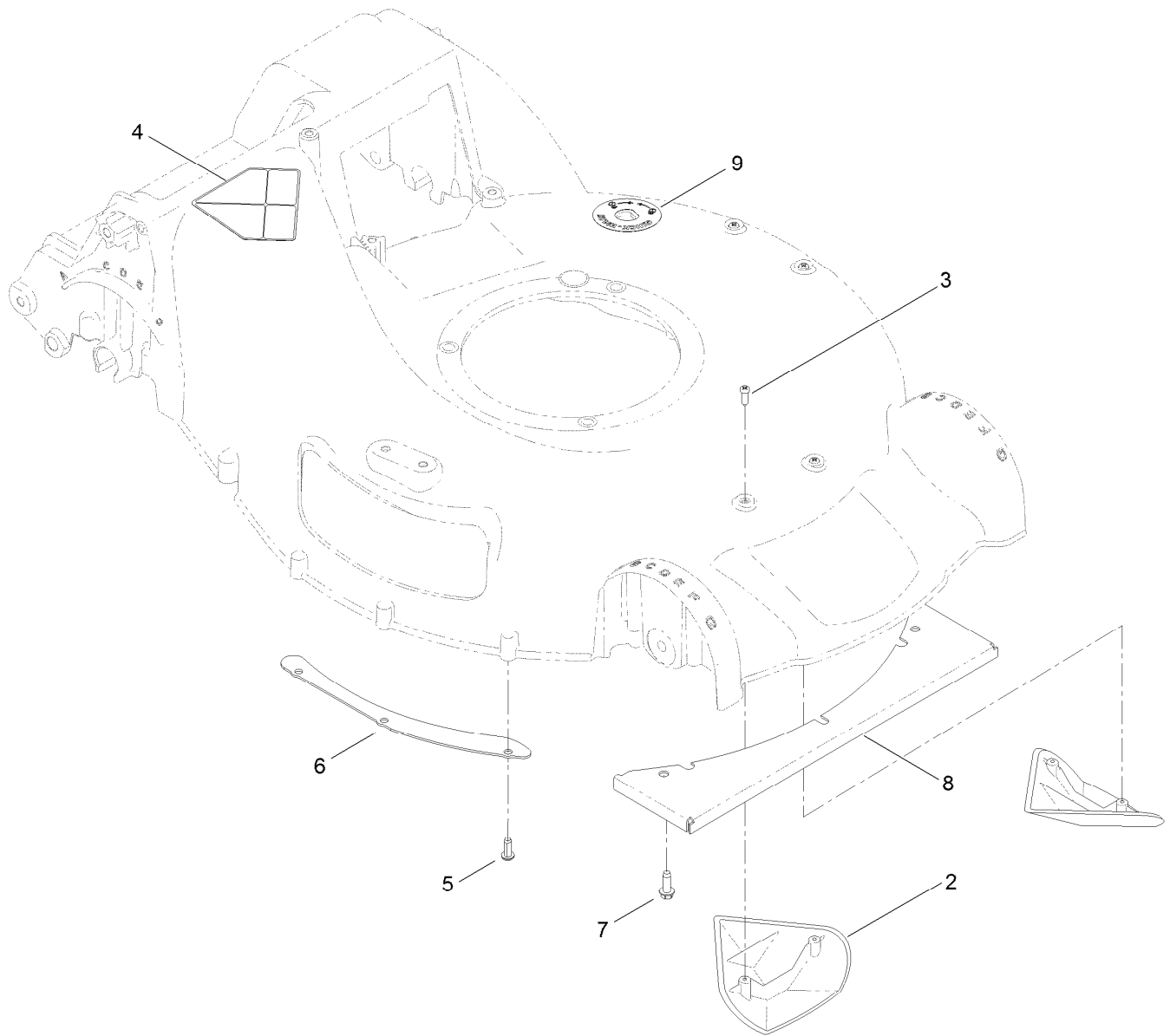
Contents

Deck Assembly	4
Housing Assembly No. 115-2855	5
Rear Door and Mulch Plug Assembly	6
Bag Assembly	7
Engine and Blade Assembly	8
Front Wheel and Height-of-Cut Assembly	9
Rear Wheel and Height-of-Cut Assembly	10
Handle Assembly	11
Electrical Assembly	12
Attachments and Accessories	13



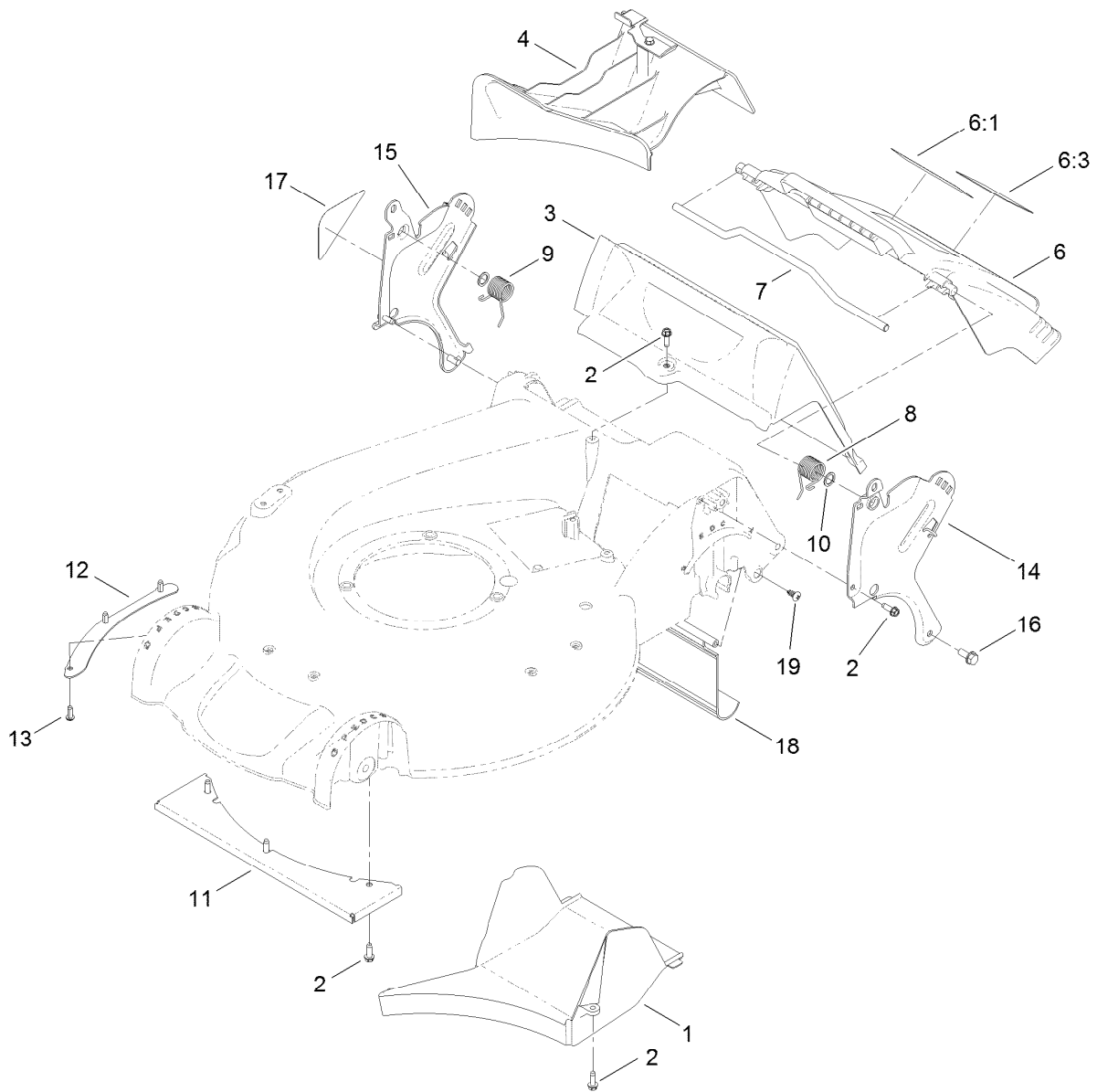
Deck Assembly

Ref.	Part Number	Qty.	Description	Ref.	Part Number	Qty.	Description
1	115-2855	1	Housing ASM	10:4	107-7461	1	Screw-Plastite
2	108-3798	2	Kicker-Housing	11	108-3753	1	Chute-Discharge, Side
3	32144-111	4	Screw-PPH	12	107-7497	1	Bracket-Cable, Traction
4	107-7494	1	Cover-Belt	14	112-6401	1	Coupling-Hose, Washout Port
5	49-2040	2	Screw-HWHTF	15	112-6400	1	Port-Washout
6	112-6416	1	Bracket-Cover	17	112-6438	1	Washer-Seal, Washout Port
7	99-8445	2	Screw-HWH, Taptite	18	3254-5	1	Washer-Tooth, Internal
8	99-5291	1	Rod-Cover	19	3218-6	1	Nut-Jam
9	99-5293	1	Spring-Torsion	20	112-6437	1	Adapter-Connect, Quick
10	107-3717	1	Discharge Door ASM	21	120-5232	1	Decal-Deck
10:2	107-0795	1	Latch-Door				
10:3	107-7456	1	Cap-Door				



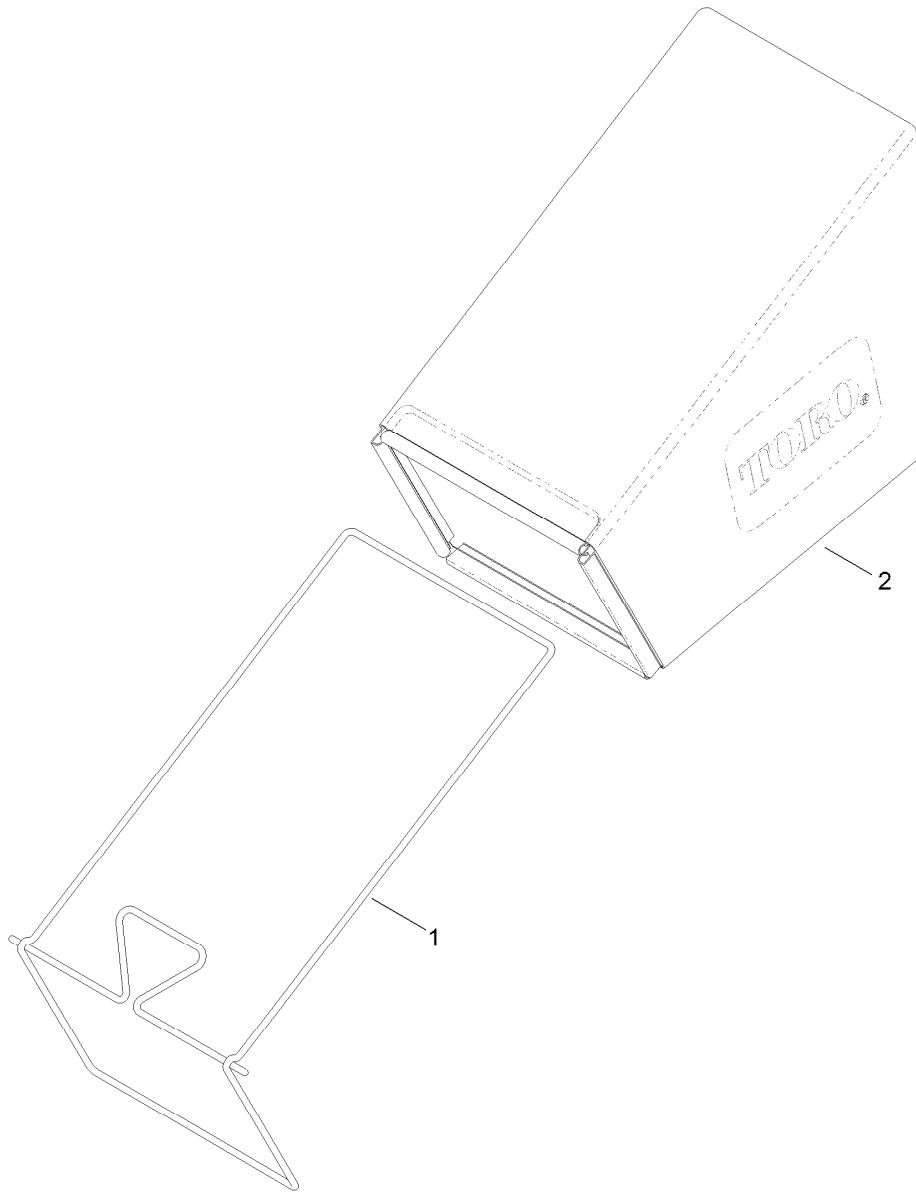
Housing Assembly No. 115-2855

<i>Ref.</i>	<i>Part Number</i>	<i>Qty.</i>	<i>Description</i>
2	108-3798	2	Kicker-Housing
3	32144-111	4	Screw-PPH
4	112-8760	1	Decal-Danger
5	63-8590	3	Screw
6	105-1316-03	1	Sheet-Lip
7	49-2040	3	Screw-HWHTF
8	108-3797-03	1	Plate-Cover, Front
9	112-8867	1	Decal-Port, Washout



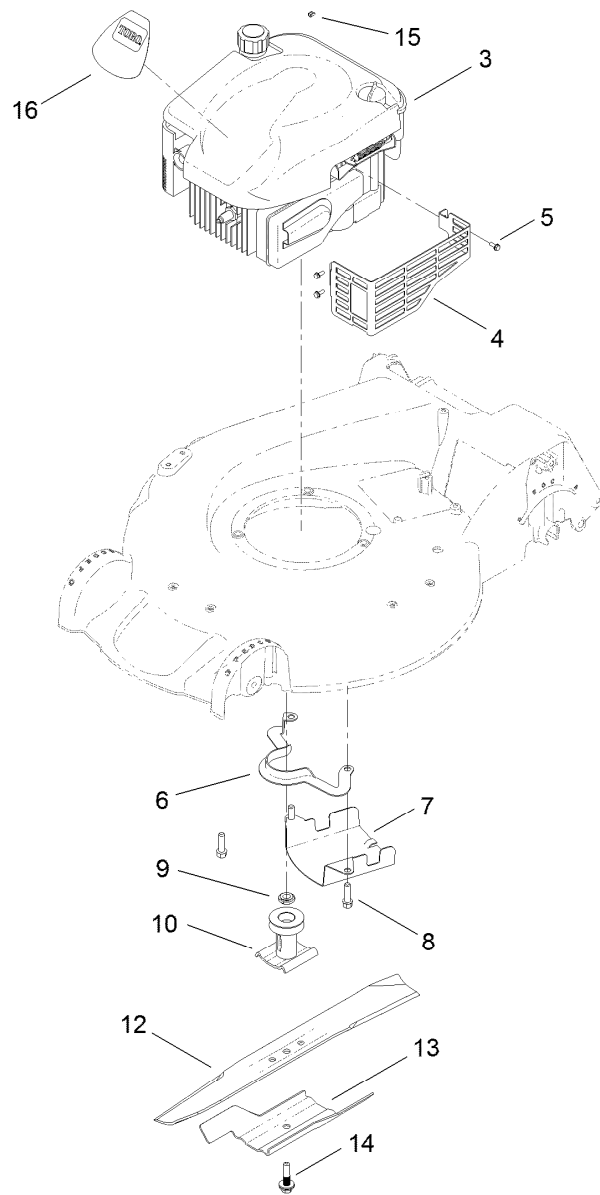
Rear Door and Mulch Plug Assembly

<i>Ref.</i>	<i>Part Number</i>	<i>Qty.</i>	<i>Description</i>	<i>Ref.</i>	<i>Part Number</i>	<i>Qty.</i>	<i>Description</i>
1	107-7495	1	Tunnel-Discharge	10	94-8196	2	Washer-Nylon
2	49-2040	8	Screw-HWHTF	11	108-3797-03	1	Plate-Cover, Front
3	114-2668	1	Chute	12	105-1316-03	1	Sheet-Lip
4	115-8413	1	Mulch Plug ASM	13	63-8590	3	Screw
6	119-3803	1	Rear Door ASM	14	114-2671-03	1	Bracket-Handle, LH
6:1	114-7982	1	Decal-Warning	15	114-2672-03	1	Bracket-Handle, RH
6:3	104-7908	1	Decal-Warning	16	32144-11	2	Screw-HWHTF
7	117-9378	1	Rod-Deflector	17	115-2884	1	Decal-Instruction
8	115-2859	1	Spring-Torsion	18	114-1586	1	Shield-Trailing
9	114-7924	1	Spring-Torsion	19	117-1092	2	Screw-PTH



Bag Assembly

<i>Ref.</i>	<i>Part Number</i>	<i>Qty.</i>	<i>Description</i>
1	121-2333-03	1	Frame-Bag
2	114-2664	1	Grass Bag ASM

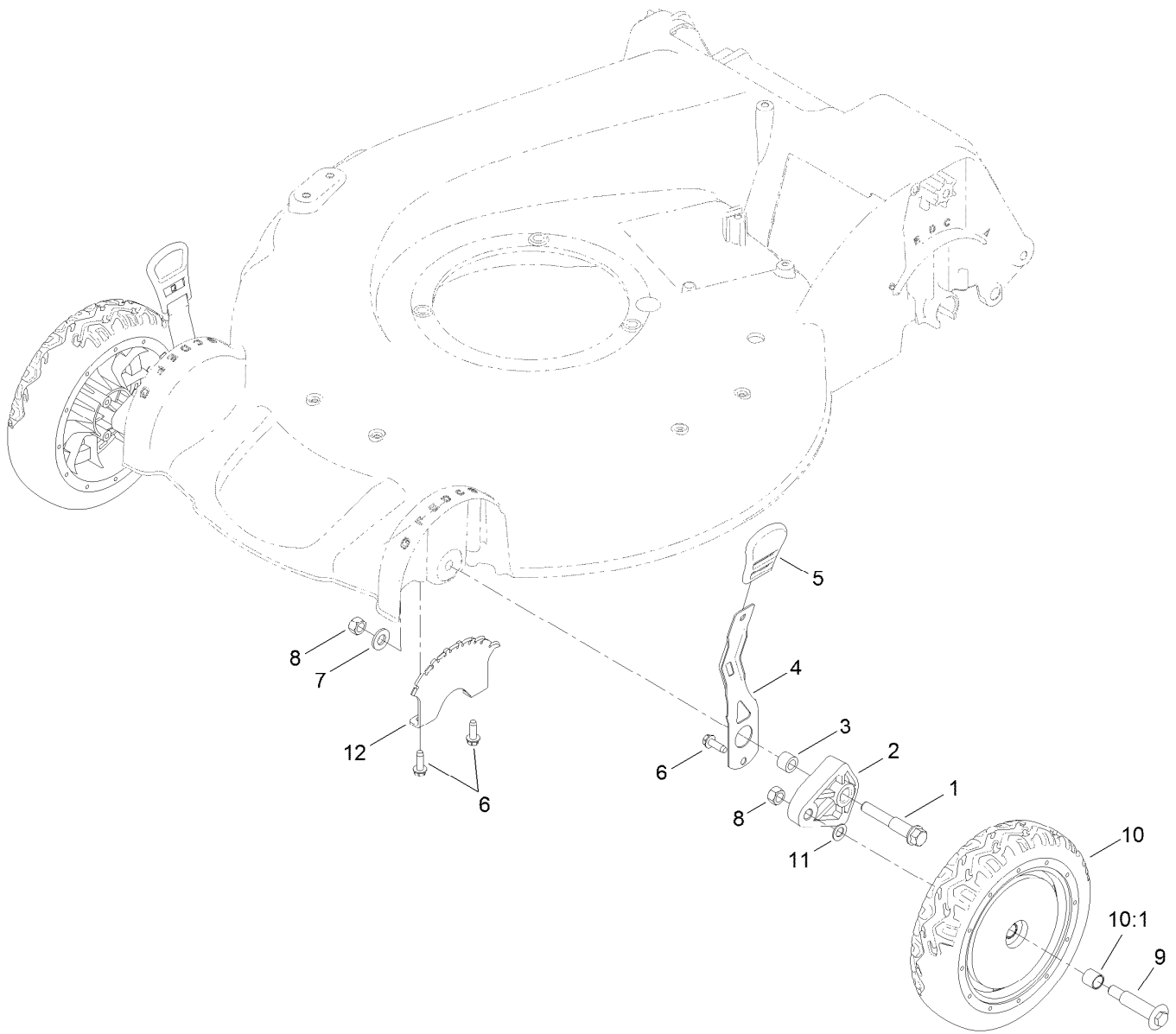


Engine and Blade Assembly

Ref.	Part Number	Qty.	Description
3		1	Engine-Briggs, 126M070129F1 ●■
4	104-7577-03	1	Shield-Muffler
5	32144-1	3	Screw-Taptite
6	108-8110-03	1	Guide-Belt
7	107-7489-03	1	Shield-Grass
8	95-1727	3	Screw-Taptite
9	106-3999	1	Spacer-Driver
10	106-3987	1	Blade Driver ASM
12	108-3762-03	1	Blade-Recycling
13	105-6848-03	1	Accelerator-Blade
14	105-8579	1	Bolt-Blade
15	2210-316	1	Stop-Rope
16	120-3322	1	Decal-Shroud

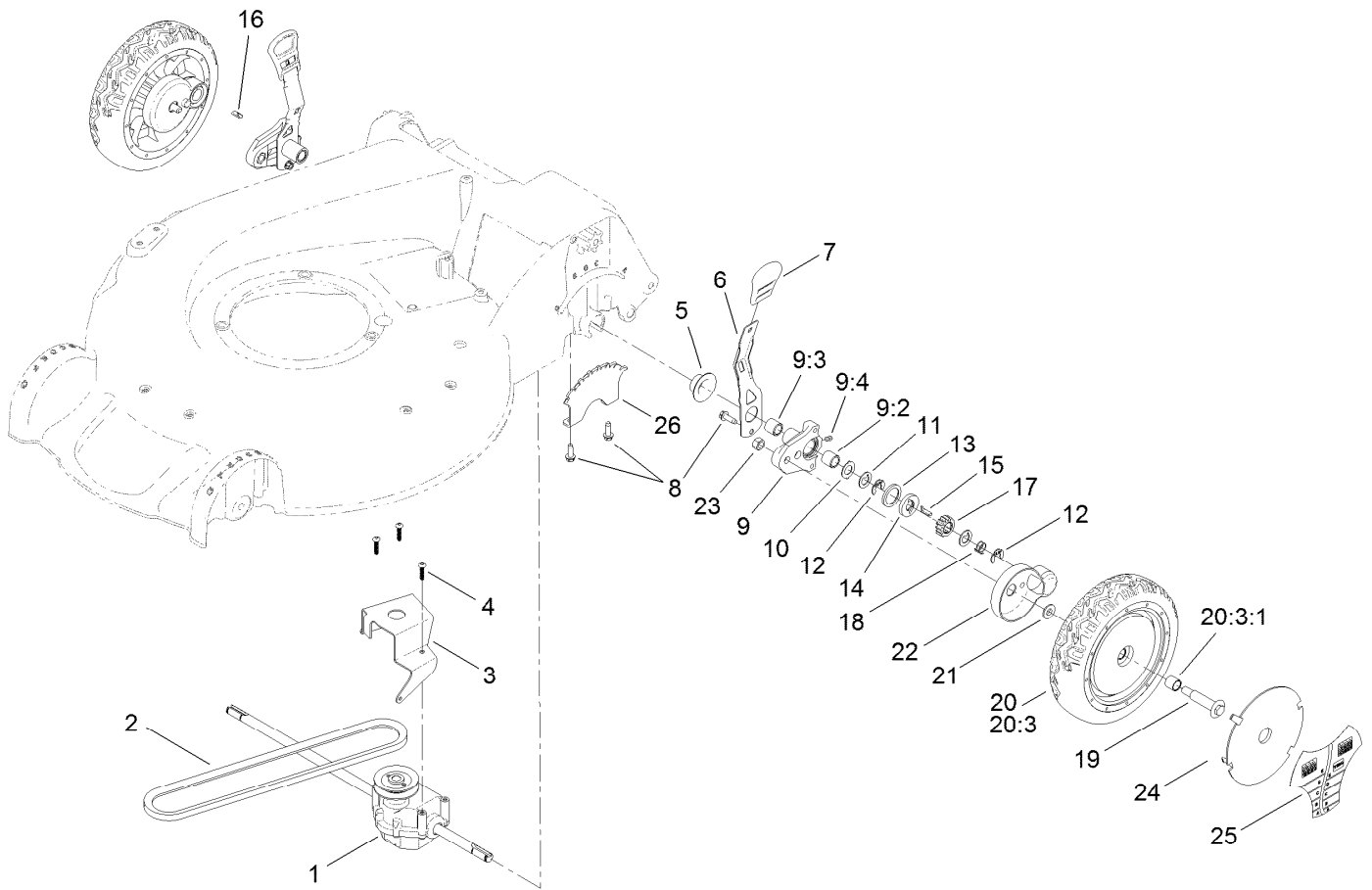
● Not serviced separately

■ Obtain parts from www.briggsandstratton.com



Front Wheel and Height-of-Cut Assembly

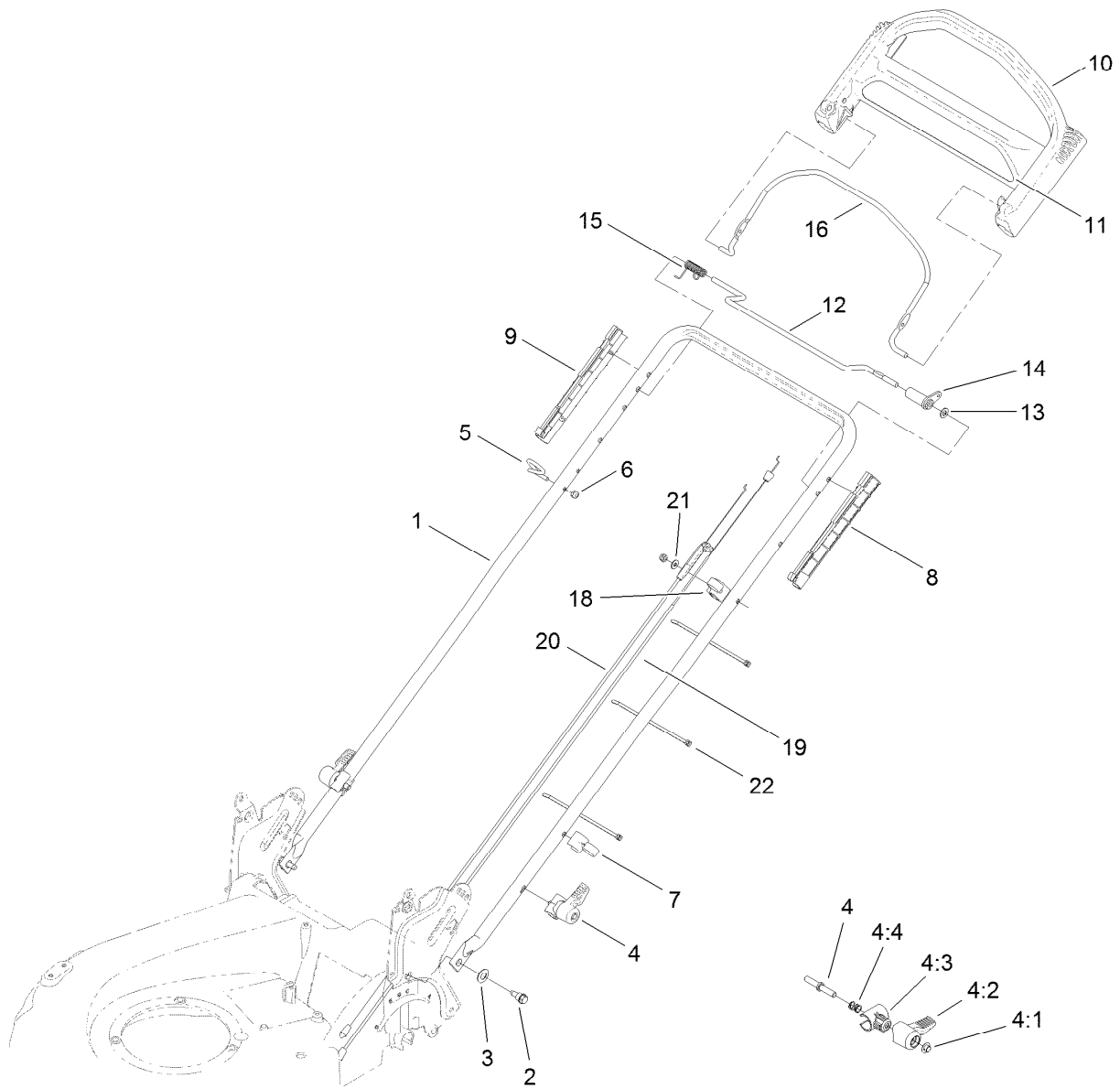
<i>Ref.</i>	<i>Part Number</i>	<i>Qty.</i>	<i>Description</i>
1	114-3467	2	Screw-Shoulder
2	107-7492	2	Arm-Pivot
3	52-2480	2	Spacer-Wheel
4	107-7491	2	Arm-Spring
5	110-0549	2	Knob-HOC
6	49-2040	6	Screw-HWHTF
7	3256-24	2	Washer-Flat
8	603773	4	Nut
9	92-1057	2	Bolt-Shoulder
10	107-3706	2	8 Inch Wheel ASM
10:1	27-6250	2	Bushing
11	40-1940	2	Washer
12	107-7478	2	Plate-HOC



Rear Wheel and Height-of-Cut Assembly

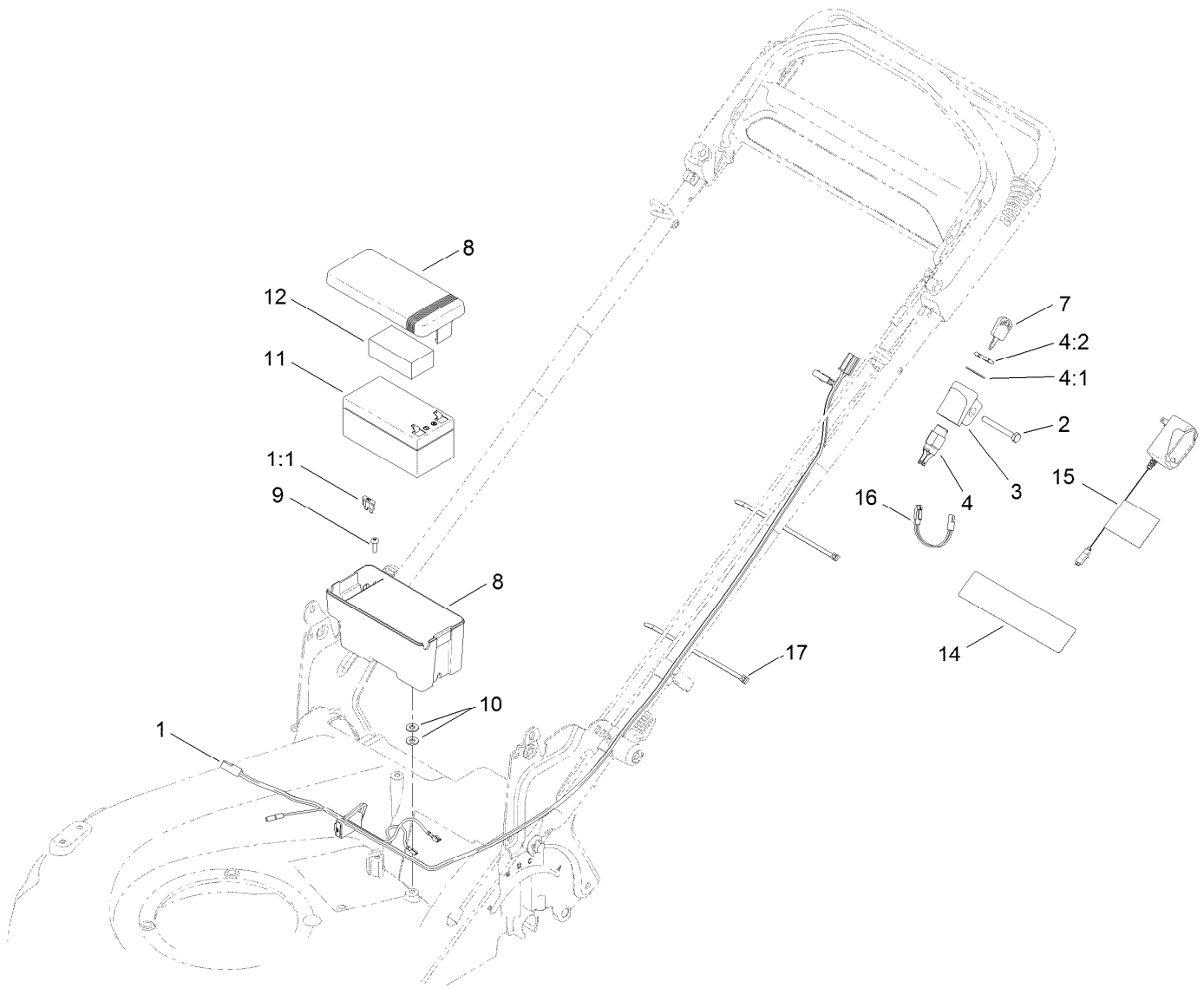
Ref.	Part Number	Qty.	Description	Ref.	Part Number	Qty.	Description
1	115-4560	1	Transmission ASM	14	65-4760	2	Washer-Clutch
2	92-1043	1	V-Belt	15	66-6050	1	Key-Rocking, LH
3	114-7977-03	1	Bracket-Transmission	16	66-6040	1	Key-Rocking, RH
4	108-7476	3	Screw-Plastite	17	65-4750	2	Gear-Pinion
5	42-3520	2	Cap-End	18	65-4720	2	Spring-Compression
6	107-7491	2	Arm-Spring	19	92-1057	2	Bolt-Shoulder
7	110-0549	2	Knob-HOC	20	107-3707	2	8 Inch Wheel And Gear ASM
8	49-2040	6	Screw-HWHTF	20:3		1	8 Inch Wheel ASM ●
9	100-8774	2	Pivot Arm ASM	20:3:1	27-6250	2	Bushing
9:2	47-2900	1	Bushing	21	74-1671	2	Spacer-Cover, Wheel
9:3	70-9760	1	Bushing	22	74-1660	2	Cover-Wheel
9:4	302-56	1	Fitting-Grease	23	603773	2	Nut
10	65-4730	2	Washer-Arm, Pivot	24	100-6351	1	Cover-Wheel
11	65-4740	4	Washer-Thrust, Keyed	25	100-1519	1	Label-Wheel, Smart
12	65-2720	4	Ring-Clip, Locking	26	107-7478	2	Plate-HOC
13	65-4710	2	Ring-Friction				

● Not serviced separately



Handle Assembly

<i>Ref.</i>	<i>Part Number</i>	<i>Qty.</i>	<i>Description</i>	<i>Ref.</i>	<i>Part Number</i>	<i>Qty.</i>	<i>Description</i>
1	115-1300-05	1	Handle	10	104-8678	1	Handle-Control
2	115-1958	2	Bolt-Shoulder	11	120-3911	1	Decal-Ads, Handle
3	112-9972	2	Washer-Conical, Spring	12	99-1588	1	Bar-Control, Traction
4	115-2860	2	Quick Release ASM	13	3256-23	1	Washer-Flat
4:1	109-0917	1	Nut-Push	14	99-1589	1	Lever-Traction
4:2	114-7995	1	Lever	15	104-8690	1	Spring-Torsion
4:3	114-7996	1	Anchor-Spring	16	104-8679-03	1	Bail-Brake
4:4	115-2858	1	Spring-Compression	18	99-5239	1	Anchor-Cable
5	86-9671	1	Guide-Rope	19	108-8158	1	Cable-Traction
6	3296-73	2	Nut-Lock, NI	20	117-5900	1	Cable-Brake
7	114-7988	1	Guide-Cable	21	3256-1	1	Washer-Flat
8	105-6842	1	Guide-LH	22	614249	3	Tie-Cable
9	105-6841	1	Guide-RH				



Electrical Assembly

Ref.	Part Number	Qty.	Description
1	114-2625	1	Harness-Wire
1:1	99-6124	1	Fuse-Blade, 40 Amp
2	321-50	1	Screw-HH
3	108-9760	1	Mount-Switch
4	46-5780	1	Starter Switch ASM
4:1	3254-5	1	Washer-Tooth, Internal
4:2	218-461	1	Nut-HH
7	700918	1	Key
8	108-4844	1	Battery Box ASM

Ref.	Part Number	Qty.	Description
9	32144-32	1	Screw
10	3256-22	2	Washer-Flat
11	106-8397	1	Battery-12 Volt
12	107-3774	1	Foam-Battery, Top
14	104-7953	1	Decal
15	98-2391	1	Charger-European, 12V Dc
16	107-3749	1	Adapter-Charger
17	614249	2	Tie-Cable

Attachments and Accessories

For 20797 53cm Super Recycler Lawn Mower

Product Name	Model/Part
Traction Assist Handle Kit.....	108-8120
Cover-Lawnmower	490-7462

Notes:

Notes:



Count on it.