



**Count on it.**

**Parts Catalog**

**72in Side Discharge Mower**  
**Groundsmaster® 3320/3280-D Traction Unit**  
Model No. 30368—Serial No. 311000301 and Up

# Ordering Replacement Parts

To order replacement parts, please supply the part number, the quantity, and the description of each part desired.

## Understanding Reference Numbers

Each identified part in an illustration has a reference number. The reference number for a part also appears in the parts list, along with other information about the part.

This catalog uses two special reference number formats, one to indicate parts in a service assembly and another to indicate the quantity of a given part in an illustration.

## Service Assembly Reference Numbers

Parts in service assemblies have reference numbers in the form a:b. The a represents the reference number of the entire service assembly and the b represents a sequential number unique to each part within the service assembly.

For example, a wheel assembly might be identified by reference number 6, the tire by 6:1, the valve by 6:2, and the wheel by 6:3. When you order the assembly identified by reference number 6, you receive all parts identified by reference numbers 6:1, 6:2, and 6:3. However, you may also order any part individually. Reference numbers of this type appear in illustration and in parts lists.

## Reference Numbers Indicating Quantity

In an illustration, if a reference number indicates more than one part, the reference number has the form nX y. The n represents the quantity of the part, the X is the multiplication symbol, and the y represents the reference number.

For example, in an illustration, the reference number 2X 37 means that two of the parts identified by reference number 37 are indicated.

# List of Abbreviations

**AR:** as required

**ASM:** assembly

**BBC:** blade brake control

**BHTF:** button head thread forming

**CARR:** carriage

**CCW:** counter clockwise

**CW:** clockwise

**DEG:** degrees

**DPA:** Dual Point Adjustment

**ECM:** electronic control module

**EXT:** external

**FH:** flat head

**GA:** gauge

**HD:** heavy-duty

**HF:** hex flange

**HH:** hex head

**HHF:** hex head flange

**HHFTF:** hex head flange thread forming

**HJ:** hex jam

**HLH:** hex lag head

**HOC:** height-of-cut

**HSBH:** hex socket button head

**HSFH:** hex socket flat head

**HSH:** hex socket head

**HWH:** hex washer head

**HWHTF:** hex washer head thread forming

**HYD:** hydraulic

**LH:** left hand

**LP:** Liquid Propane

**NI:** nylon insert

**NPTF:** national pipe thread fine

**PFH:** phillips flat head

**PPH:** phillips pan head

**PPHTF:** phillips pan head thread forming

**PRH:** phillips round head

**PTH:** phillips truss head

**PTO:** power-take-off

**RH:** right hand

**ROPS:** roll-over protection system

**RRB:** rear roller brush

**SFH:** slotted fillister head

**SHH:** slotted hex head

**SHWH:** slotted hex washer head

**SPH:** slotted pan head

**SQH:** square head

**SRH:** slotted round head

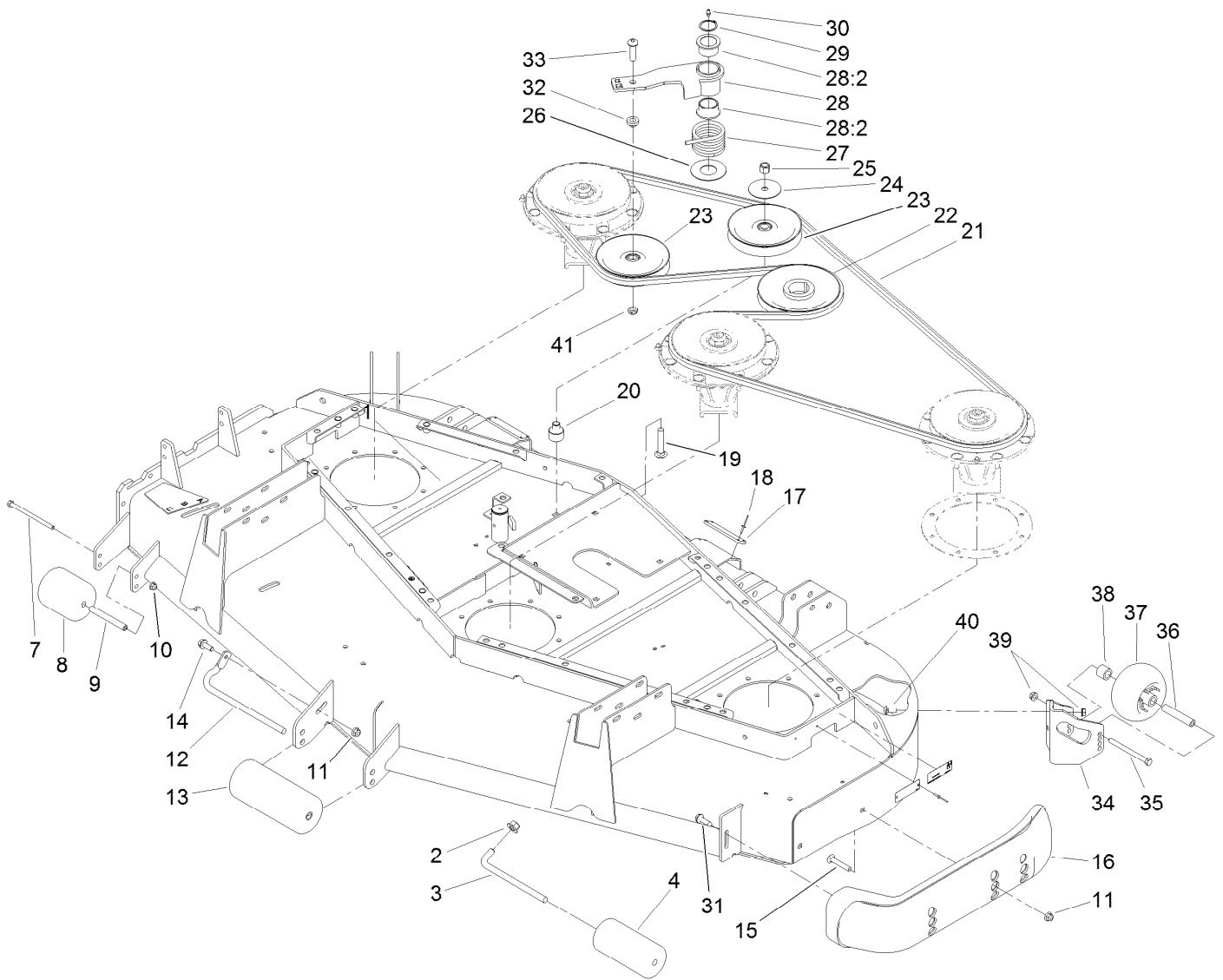
**STD:** standard

**TAP:** self tapping

**TTH:** torx truss head

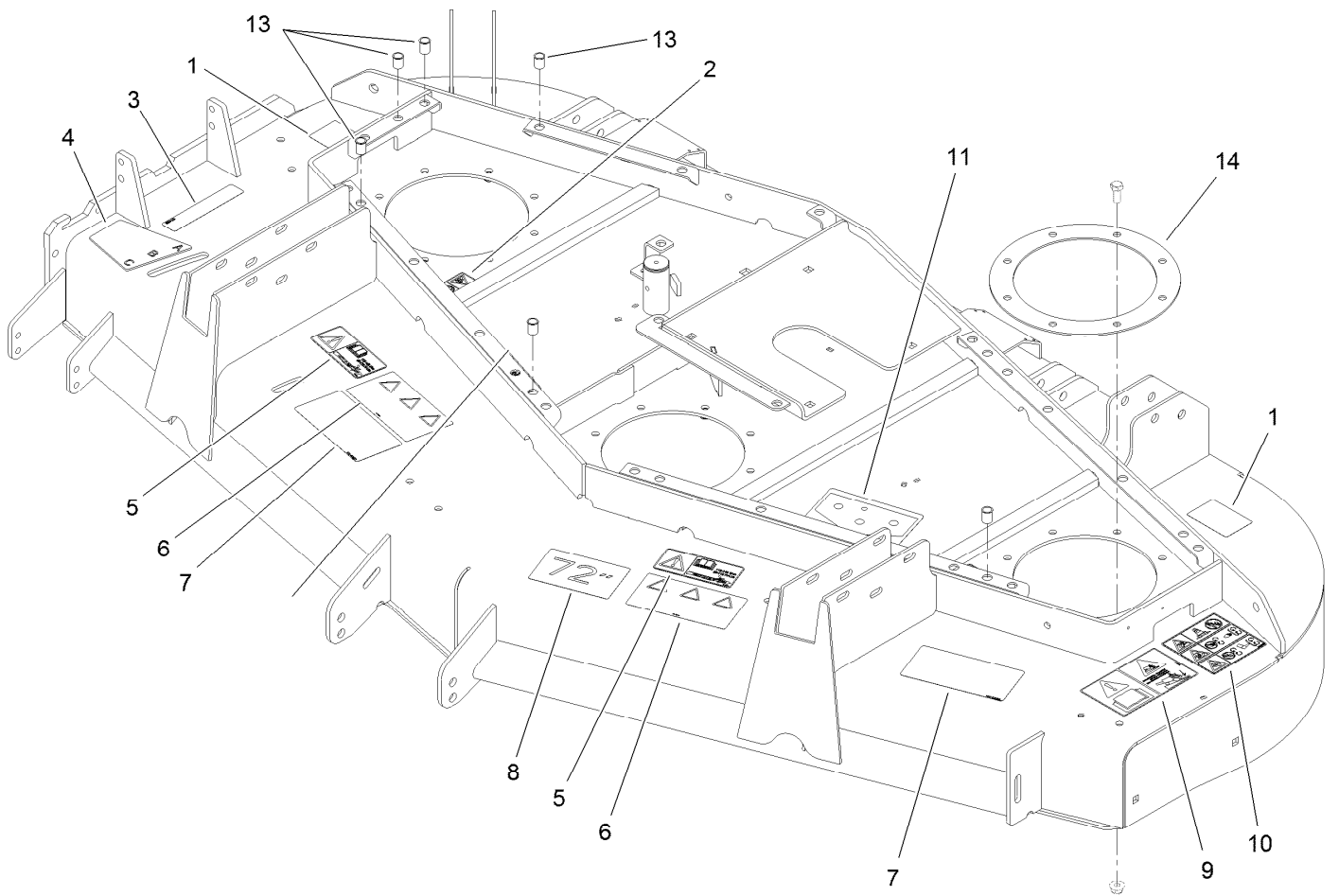
# Contents

Deck, Belt and Pulley Assembly .....	4
Deck Assembly No. 120-6645 .....	5
Caster Arm Assembly .....	6
Spindle and Blade Assembly .....	7
Spindle Assembly No. 119-4778 .....	8
Gearbox, Baffle and Cover Assembly .....	9
Rubber Deflector Assembly No. 108-2792 .....	10
Lever Assembly No. 107-1664 .....	11
Gear Box Assembly No. 108-1370 .....	12
Lift Arm Assembly .....	13
Left Hand Lift Arm Assembly No. 117-0806 .....	14
Right Hand Lift Arm Assembly No. 117-0800 .....	15
Attachments and Accessories .....	16



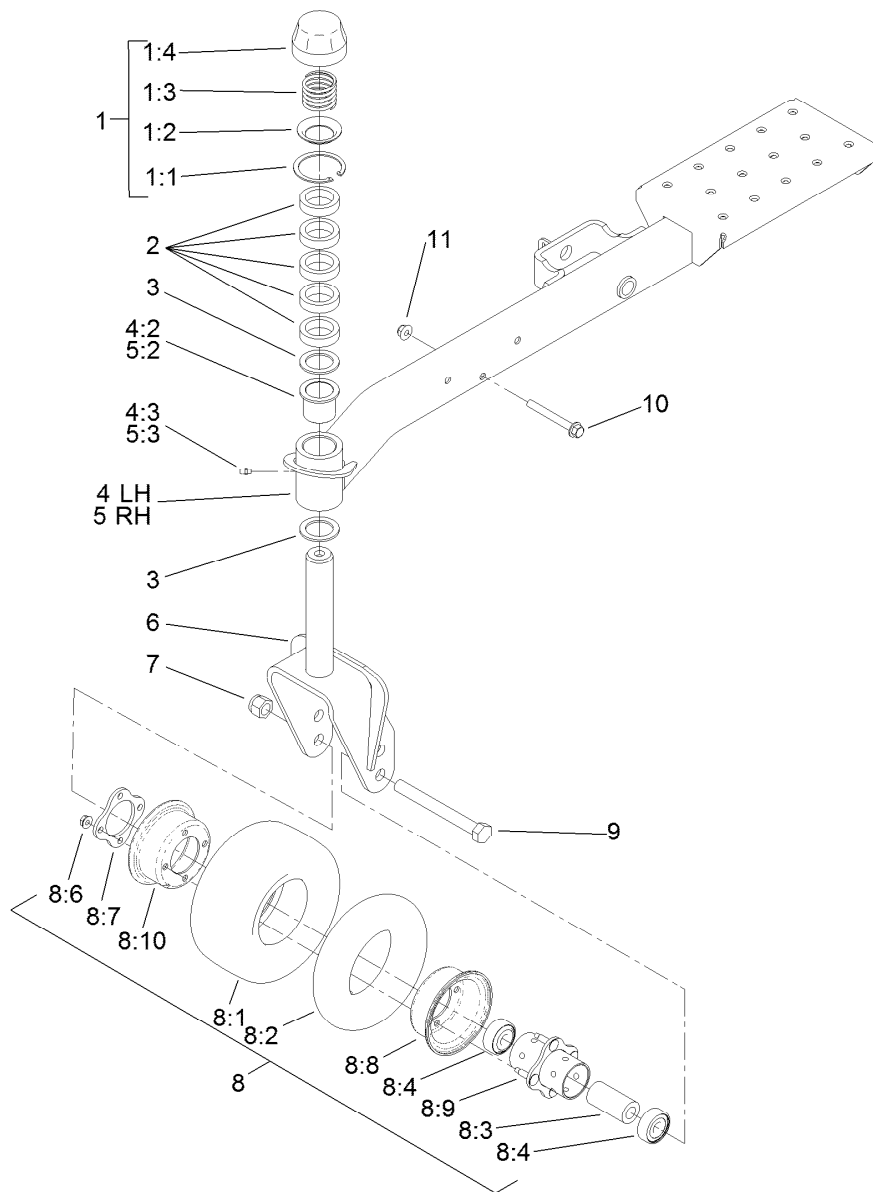
## Deck, Belt and Pulley Assembly

Ref.	Part Number	Qty.	Description	Ref.	Part Number	Qty.	Description
1	120-6645	1	Deck ASM	23	01-268-0160	2	Pulley-Idler
2	99-5107	2	Nut-Lock	24	100-3102	1	Washer-Flat
3	110-9683	2	Shaft-Rear Roller	25	3296-23	1	Nut-Lock, NI
4	36-1740	2	Roller-Deck	26	108-1926	1	Washer
7	322-29	1	Screw-HH	27	108-1921	1	Spring-Torsion
8	93-4803	1	Roller-Deck	28	108-1930	1	Idler Arm ASM
9	105-4549	1	Spacer-Roller	28:2	93-4510	2	Bushing-Caster
10	104-8300	1	Nut-Flange, NI	29	32120-84	1	Ring-Snap, External
11	104-8301	3	Nut-Flange, NI	30	302-5	1	Fitting-Grease
12	68-6840	1	Shaft-Roller	31	9136144	1	Screw-HWHTF
13	68-6710	1	Roller	32	108-1924	1	Spacer-Idler
14	3234-42	1	Screw-HHF	33	108-1993	1	Screw-HSBH
15	3231-33	2	Screw-CARR	34	106-7354-01	1	Mount-Wheel, LH
16	112-1479	1	Skid-Bumper, Deck	35	323-23	1	Screw-HH
17	108-1914	2	Pad-Bumper	36	98-7912	1	Tube-Spanner
18	3269-24	8	Rivet	37	1-603299	1	Roller-Scalp, Anti
19	3233-34	1	Screw-CARR	38	98-7913	1	Tube-Spacer
20	108-1908	1	Spacer-Idler	39	3290-357	4	Nut-HHF, Whiz
21	108-4393	1	Belt-Hex	40	3231-27	3	Screw-CARR
22	107-4725	1	Pulley	41	3296-45	1	Nut-Lock, NI



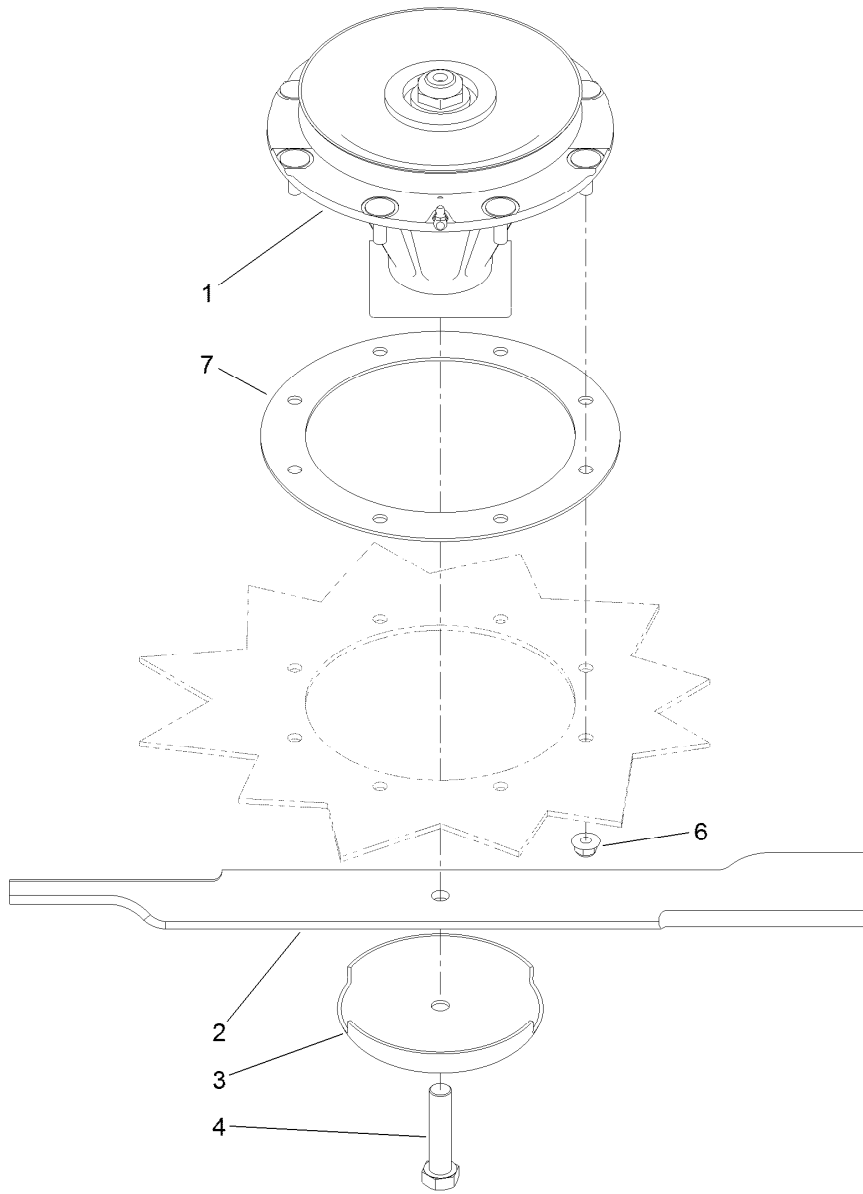
## Deck Assembly No. 120-6645

<i>Ref.</i>	<i>Part Number</i>	<i>Qty.</i>	<i>Description</i>
1	108-1986	2	Decal-HOC, Rear
2	117-4979	4	Decal-Warning, Shields (Ce)
3	107-2916	1	Decal-Warning
4	107-1622	1	Decal-Adjustment, Baffle
5	93-7818	2	Decal-Torque, Blade Bolt
6	107-2908	2	Decal-Danger, Combination
7	100-5622	2	Decal-HOC
8	57-0280	1	Decal
9	115-4505	1	Decal-Warning
10	120-6604	1	Decal-Danger
11	108-1988	1	Decal-Routing, Belt
13	32148-9	6	Insert-Nut
14	120-6603-03	3	Ring-Doubler



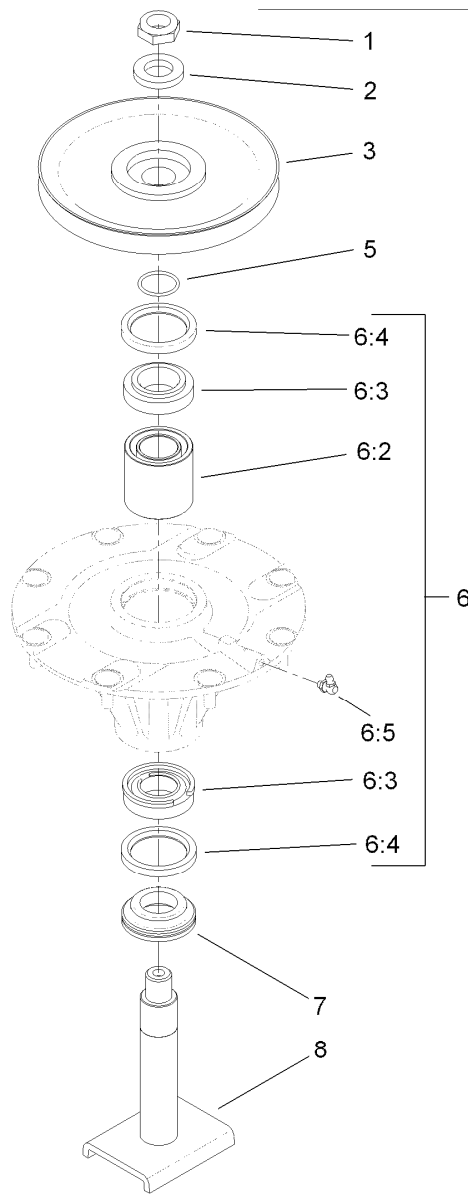
## Caster Arm Assembly

<i>Ref.</i>	<i>Part Number</i>	<i>Qty.</i>	<i>Description</i>	<i>Ref.</i>	<i>Part Number</i>	<i>Qty.</i>	<i>Description</i>
1	92-9727	2	HOC Cap ASM	7	3296-53	2	Nut-Lock, NI
1:1	92-5581	1	Ring-Retaining	8	93-9938	2	8 Inch Wheel ASM
1:2	92-5583	1	Washer-Cap	8:1	93-9939	1	Tire
1:3	92-9726	1	Spring-Compression	8:2	68-8950	1	Tube-Inner (W/Valve)
1:4	92-8861	1	Cap-HOC	8:3	93-4241	1	Spacer-Bearing, Inner
2	69-1510	10	Spacer-Caster	8:4	120-3366	2	Bearing-Stainless Steel
3	69-6860	4	Washer-Thrust	8:6	32128-16	4	Nut-HHF
4	108-5746	1	LH Caster Arm ASM	8:7	93-4242	1	Plate
4:2	69-6470	2	Bushing-Castor	8:8	93-4239	1	Rim-Wheel, Half
4:3	302-5	1	Fitting-Grease	8:9	93-5980	1	Hub
5	108-5747	1	RH Caster Arm ASM	8:10	95-2741	1	Rim-Wheel, Half
5:2	69-6470	2	Bushing-Castor	9	327-24	2	Screw-HH
5:3	302-5	1	Fitting-Grease	10	3234-41	10	Screw-HHF
6	104-0762-01	2	Caster Fork ASM	11	104-8301	10	Nut-Flange, NI



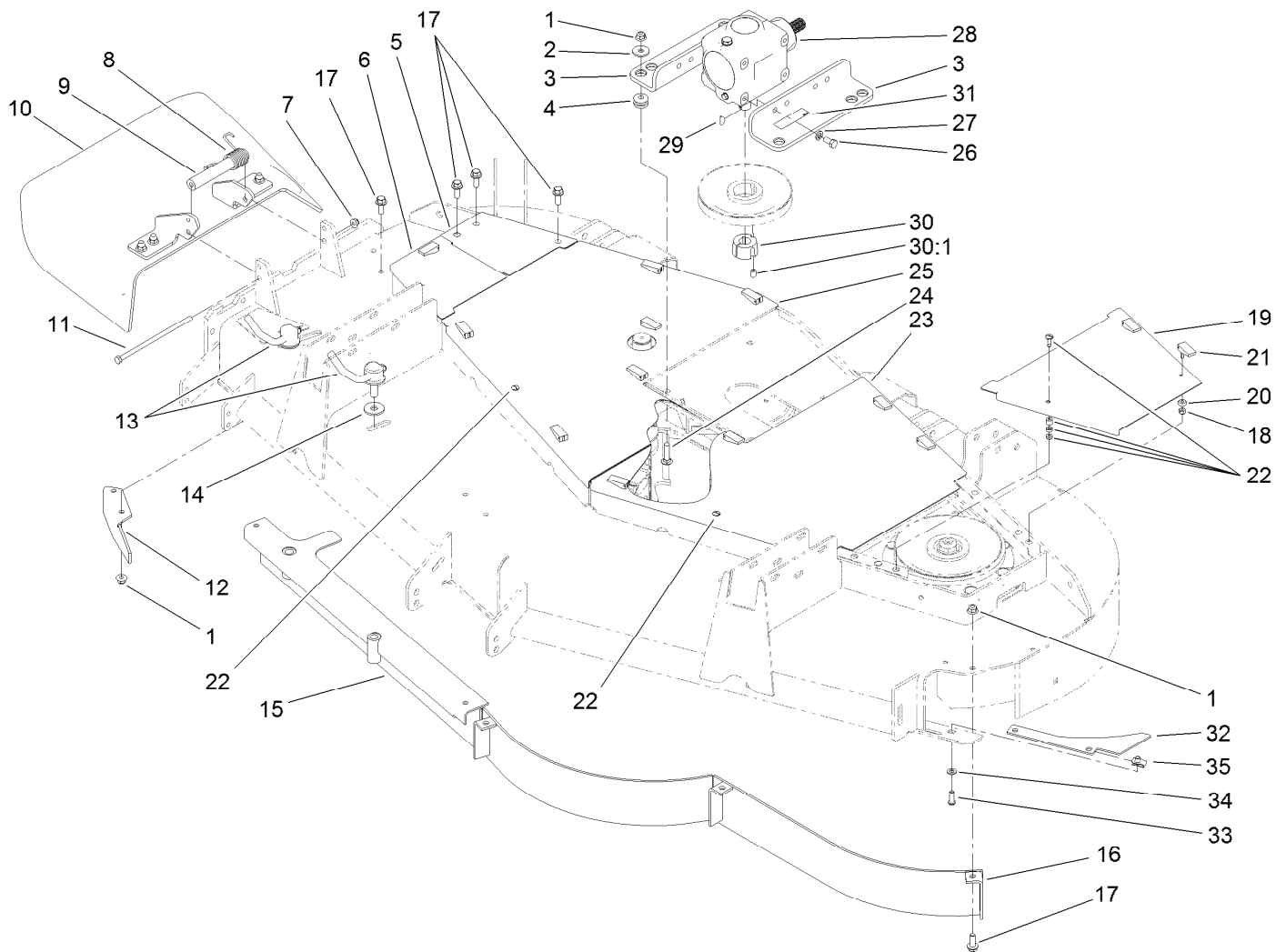
## Spindle and Blade Assembly

<i>Ref.</i>	<i>Part Number</i>	<i>Qty.</i>	<i>Description</i>
1	119-4778	3	Spindle ASM
2	110-0621-03	3	Blade-Medium Flow
3	72-9361	3	Cup-Scalp, Anti
4	92-5816	3	Bolt-Blade
6	104-8301	24	Nut-Flange, NI
7	120-6603-03	3	Ring-Doubler



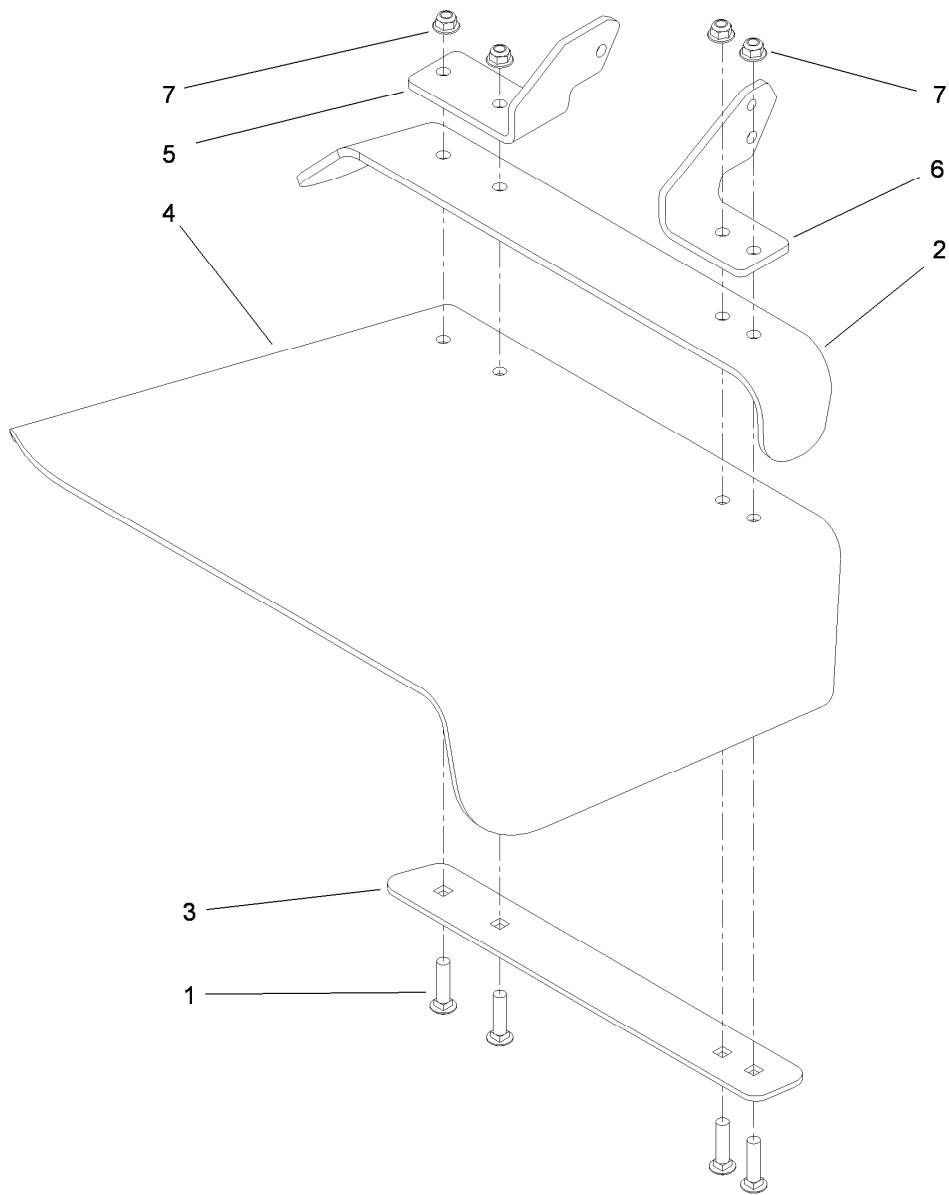
## Spindle Assembly No. 119-4778

<i>Ref.</i>	<i>Part Number</i>	<i>Qty.</i>	<i>Description</i>
1	3296-60	1	Nut-Lock, NI
2	104-8322	1	Washer-Hardened
3	104-3546	1	Pulley-Driven, Low
5	106-7159	1	O-Ring
6	119-4777	1	Spindle ASM
6:2	108-1954	1	Spacer Set-Bearing
6:3	110-8297	1	Bearing ASM
6:4	253-154	2	Seal-Oil
6:5	302-60	1	Fitting-Grease
7	69-6950	1	Spacer-Shaft, Spindle
8	108-1956	1	Shaft ASM



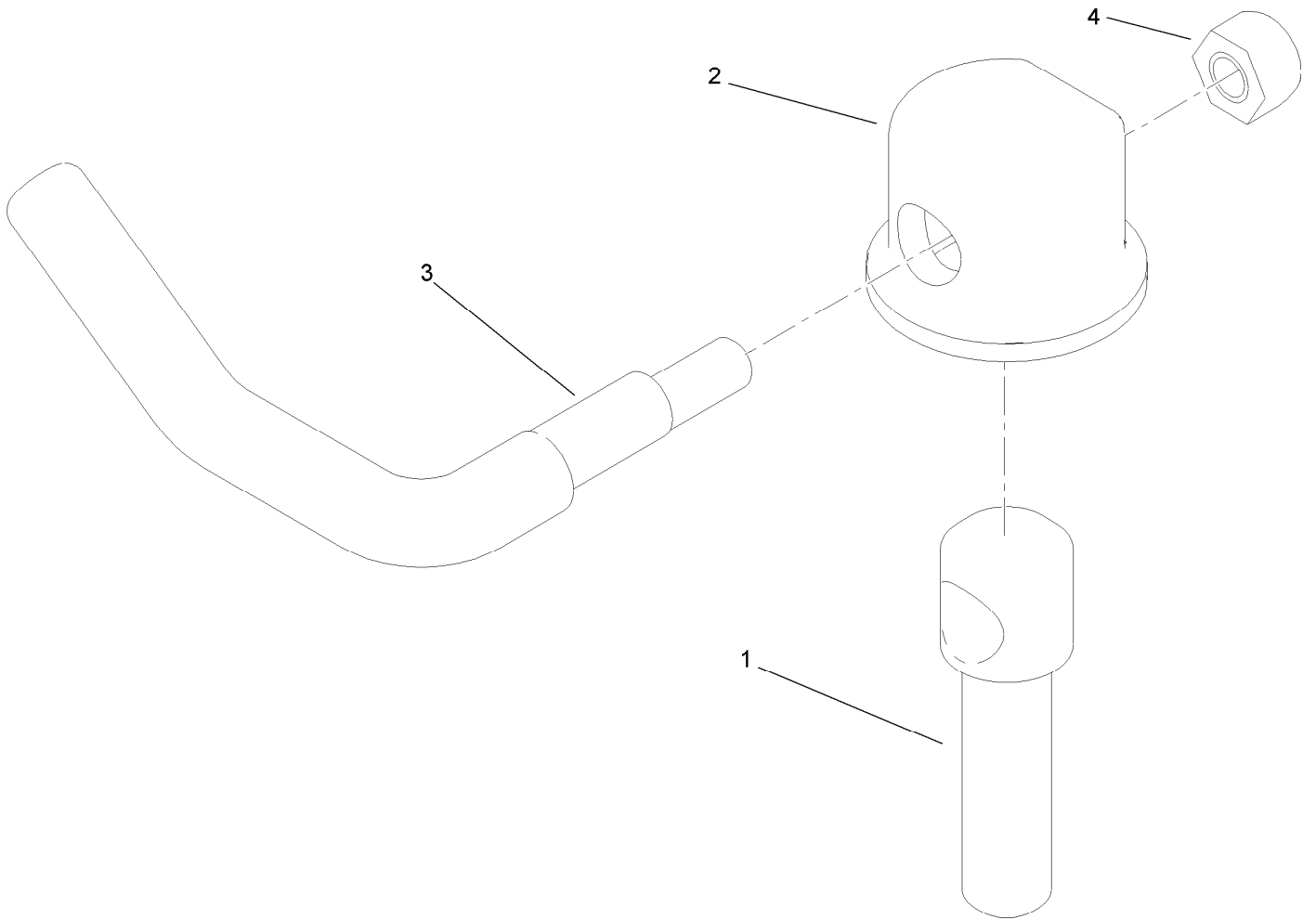
## Gearbox, Baffle and Cover Assembly

Ref.	Part Number	Qty.	Description	Ref.	Part Number	Qty.	Description
1	104-8301	10	Nut-Flange, NI	20	106-6778	14	Bushing-Latch, Swell
2	63-8410	4	Washer	21	106-6777	14	Handle-Latch, Swell
3	108-4376-03	2	Bracket-Gearbox	22	117-6989	4	Fractional Turn Oval Head Stud ASM
4	63-9750	4	Mount	23	119-4802-03	1	Cover-Deck, LH Inner
5	110-0633-03	1	Cover-Deck, RH Outer Rear	24	3231-26	4	Screw-CARR
6	119-4804-03	1	Cover-Deck, RH Outer Front	25	119-4803-03	1	Cover-Deck, RH Inner
7	104-8300	1	Nut-Flange, NI	26	323-4	4	Screw-HH
8	108-4052	1	Spring-Torsion	27	3253-21	4	Washer-Lock
9	105-4622	1	Spacer	28	108-1370	1	Gearbox Replacement Kit
10	108-2792	1	Rubber Deflector ASM	29	3257-5	1	Key-Woodruff
11	112-9557	1	Screw-HH	30	23-1640	1	Bushing-Taperlock
12	106-3216-01	1	Baffle-Discharge	30:1	3247-4	2	Screw-Set
13	107-1664	2	Lever ASM	31	93-6697	1	Decal-Lube
14	105-7697	2	Washer-Plastic	32	115-1396	1	Plate-Turbo
15	105-7669-01	1	Baffle ASM	33	3274-104	2	Screw-HSBH
16	105-7730-01	1	Baffle ASM	34	3256-23	2	Washer-Flat
17	3234-42	9	Screw-HHF	35	112-3306	2	Nut
18	1-804254	14	Nut-Lock, HH				
19	119-4801-03	1	Cover-Deck, LH Outer				



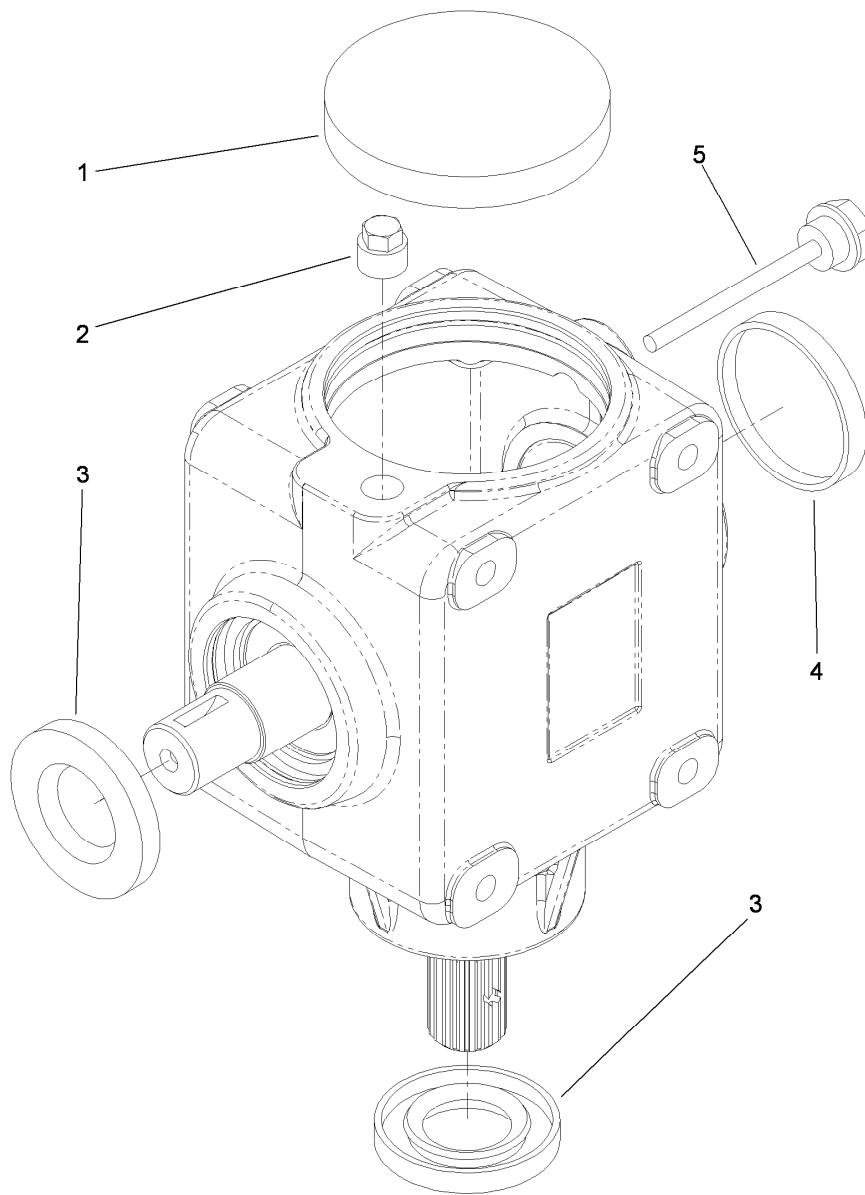
## Rubber Deflector Assembly No. 108-2792

<i>Ref.</i>	<i>Part Number</i>	<i>Qty.</i>	<i>Description</i>
1	3231-4	4	Screw-CARR
2	106-3246-01	1	Deflector
3	106-3248-03	1	Strap-Discharge
4	108-5029	1	Deflector-Rubber
5	108-4059-01	1	Plate-Hinge, Rear
6	106-3253-01	1	Plate-Hinge, Front
7	104-8301	4	Nut-Flange, NI



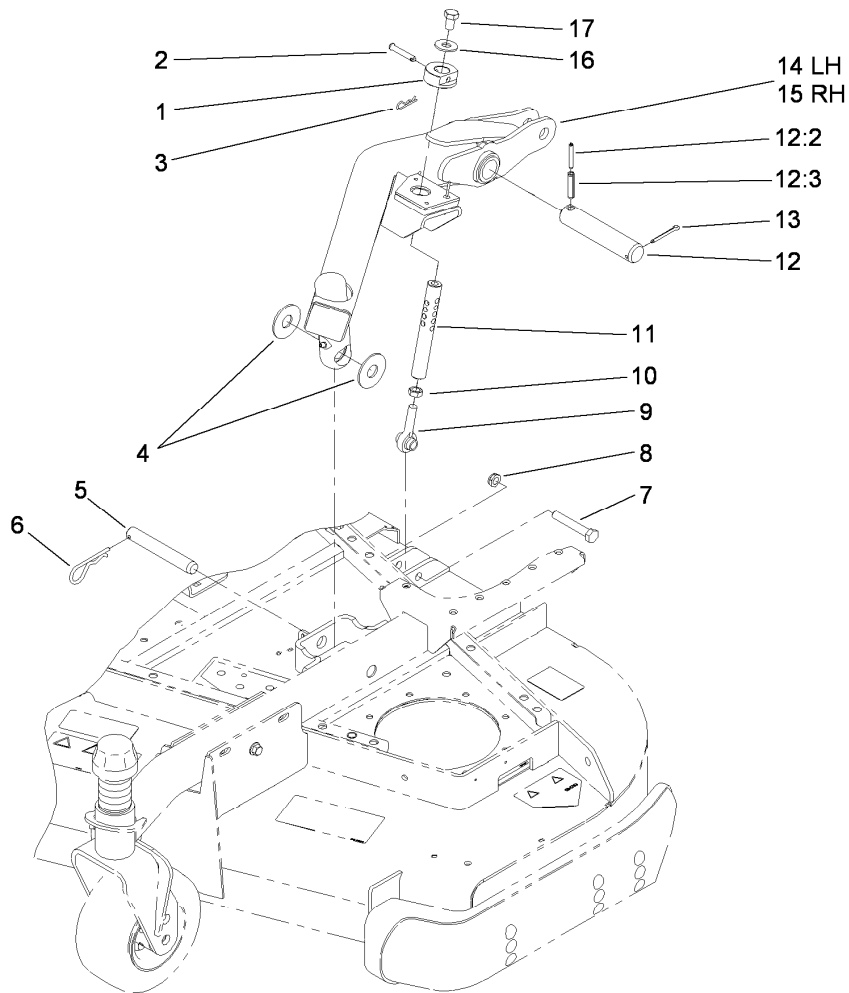
## Lever Assembly No. 107-1664

<i>Ref.</i>	<i>Part Number</i>	<i>Qty.</i>	<i>Description</i>
1	106-3239	1	Screw-Lock
2	107-1644	1	Cap-Lock
3	106-3241	1	Lever-Lock
4	3296-29	1	Nut-Lock, NI



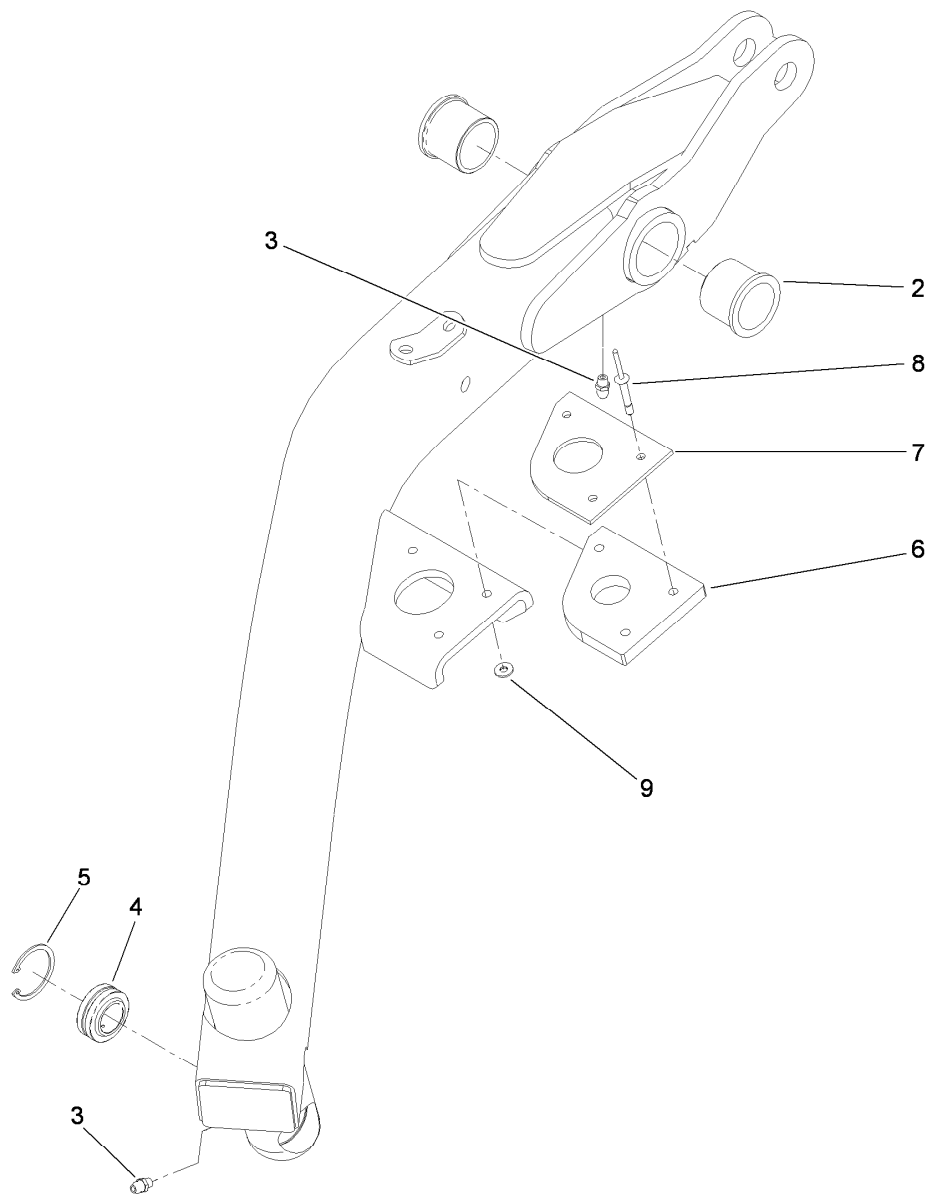
## Gear Box Assembly No. 108-1370

<i>Ref.</i>	<i>Part Number</i>	<i>Qty.</i>	<i>Description</i>
1		1	Gearbox ASM
1	107-2932	1	Cap-Oil
2	107-2933	1	Plug
3	117-9247	2	Seal
4	107-2935	1	Cap-Oil
5	107-2936	1	Plug-Filler, Dipstick



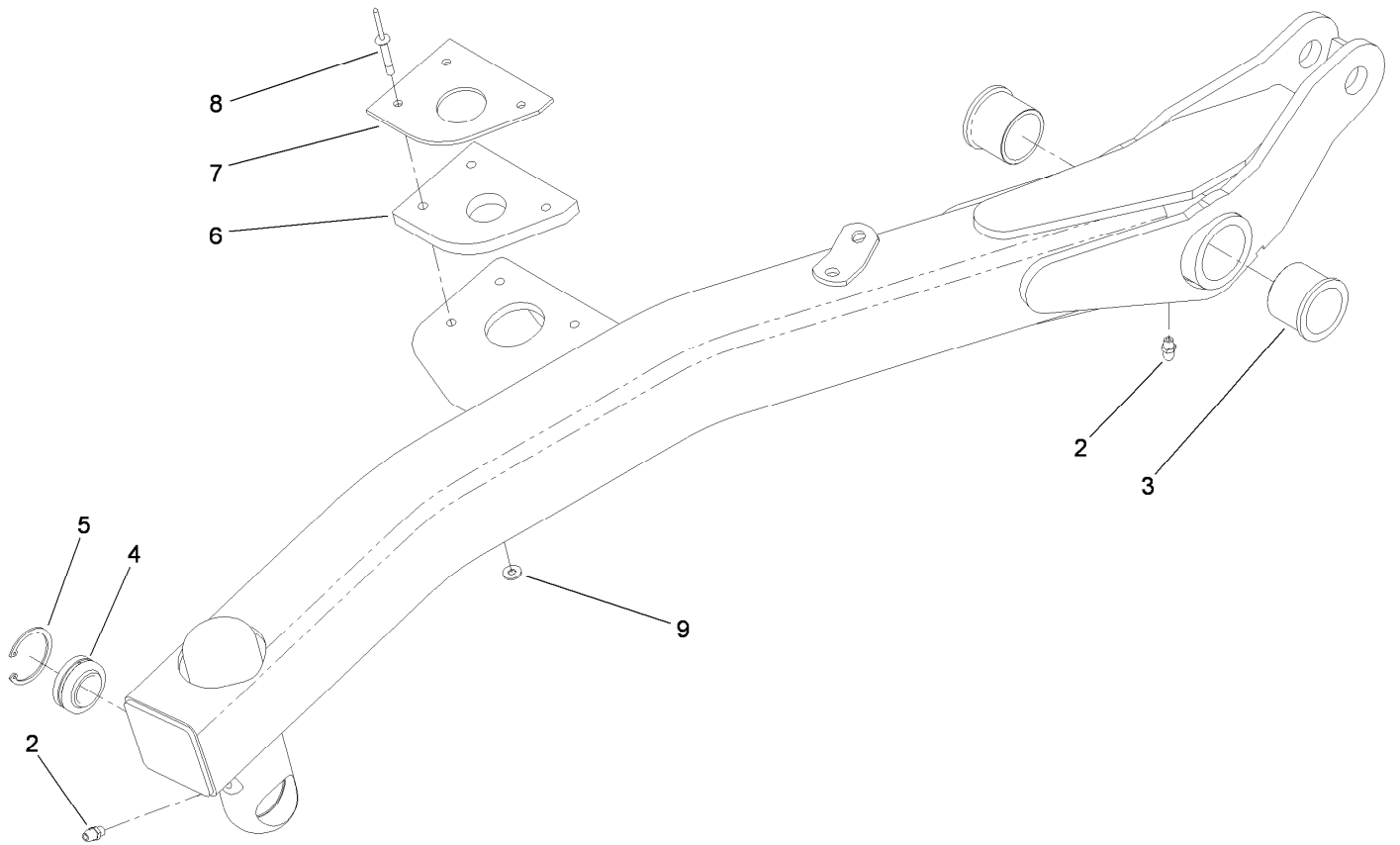
## Lift Arm Assembly

<b>Ref.</b>	<b>Part Number</b>	<b>Qty.</b>	<b>Description</b>
1	110-0641	2	Collar-HOC
2	107-3457	2	Pin-Clevis
3	3290-467	2	Pin-Hair
4	107-7915	4	Washer-Thrust
5	107-7904	2	Pin-Clevis
6	3290-256	2	Pin-Hair
7	325-12	2	Screw-HH
8	3296-45	2	Nut-Lock, NI
9	105-2808	2	End-Rod
10	3220-5	2	Nut-Jam
11	107-7284	2	Tube-HOC
12	98-2330	2	Pivot Pin ASM
12:2	32121-67	1	Pin-Spring
12:3	32121-61	1	Pin-Roll
13	3272-24	2	Pin-Cotter
14	117-0806	1	LH Lift Arm ASM
15	117-0800	1	RH Lift Arm ASM
16	3256-6	2	Washer-Flat
17	3213-20	2	Screw-HH



## Left Hand Lift Arm Assembly No. 117-0806

<i>Ref.</i>	<i>Part Number</i>	<i>Qty.</i>	<i>Description</i>
2	256-268	2	Bushing
3	302-5	2	Fitting-Grease
4	105-7441	1	Bearing-Spherical
5	32151-34	1	Ring-Retaining
6	119-2200	1	Pad-Rubber, Rear HOC
7	119-2230	1	Pad-Plastic, Rear HOC
8	110-0606	3	Rivet-Blind
9	3269-26	3	Washer-Plain



## Right Hand Lift Arm Assembly No. 117-0800

<i>Ref.</i>	<i>Part Number</i>	<i>Qty.</i>	<i>Description</i>
2	302-5	2	Fitting-Grease
3	256-268	2	Bushing
4	105-7441	1	Bearing-Spherical
5	32151-34	1	Ring-Retaining
6	119-2200	1	Pad-Rubber, Rear HOC
7	119-2230	1	Pad-Plastic, Rear HOC
8	110-0606	3	Rivet-Blind
9	3269-26	3	Washer-Plain

# Attachments and Accessories

## For 30368 72in Side Discharge Mower Groundsmaster 3320/3280-D Traction Unit

<b>Product Name</b>	<b>Model/Part</b>
High-Speed Blade Tip Kit.....	108-1961
8in Foam Filled Wheel ASM .....	93-5974
Blade-Rotary, Standard (24.5) .....	110-0621
Blade-Rotary, High Flow (24.5).....	110-0622
Atomic Blade .....	110-0624
Castor Wheel Kit.....	110-4767
Blade and Belt Kit .....	110-4771
Skid Replacement Kit .....	112-9570
Recycler Kit, 72in Side Discharge Mower .....	30347
Leaf Mulching Kit .....	108-5273

**Notes:**

**Notes:**

**Notes:**



**Count on it.**