



Count on it.

Parts Catalog

**TimeCutter® SS 5060 Riding
Mower**

Model No. 74632—Serial No. 312000001 and Up

Ordering Replacement Parts

To order replacement parts, please supply the part number, the quantity, and the description of each part desired.

Understanding Reference Numbers

Each identified part in an illustration has a reference number. The reference number for a part also appears in the parts list, along with other information about the part.

This catalog uses two special reference number formats, one to indicate parts in a service assembly and another to indicate the quantity of a given part in an illustration.

Service Assembly Reference Numbers

Parts in service assemblies have reference numbers in the form a:b. The a represents the reference number of the entire service assembly and the b represents a sequential number unique to each part within the service assembly.

For example, a wheel assembly might be identified by reference number 6, the tire by 6:1, the valve by 6:2, and the wheel by 6:3. When you order the assembly identified by reference number 6, you receive all parts identified by reference numbers 6:1, 6:2, and 6:3. However, you may also order any part individually. Reference numbers of this type appear in illustration and in parts lists.

Reference Numbers Indicating Quantity

In an illustration, if a reference number indicates more than one part, the reference number has the form nX y. The n represents the quantity of the part, the X is the multiplication symbol, and the y represents the reference number.

For example, in an illustration, the reference number 2X 37 means that two of the parts identified by reference number 37 are indicated.

List of Abbreviations

AR: as required

ASM: assembly

BBC: blade brake control

BHTF: button head thread forming

CARR: carriage

CCW: counter clockwise

CW: clockwise

DEG: degrees

DPA: Dual Point Adjustment

ECM: electronic control module

EXT: external

FH: flat head

GA: gauge

HD: heavy-duty

HF: hex flange

HH: hex head

HHF: hex head flange

HHFTF: hex head flange thread forming

HJ: hex jam

HLH: hex lag head

HOC: height-of-cut

HSBH: hex socket button head

HSFH: hex socket flat head

HSH: hex socket head

HWH: hex washer head

HWHTF: hex washer head thread forming

HYD: hydraulic

LH: left hand

LP: Liquid Propane

NI: nylon insert

NPTF: national pipe thread fine

PFH: phillips flat head

PPH: phillips pan head

PPHTF: phillips pan head thread forming

PRH: phillips round head

PTH: phillips truss head

PTO: power-take-off

RH: right hand

ROPS: roll-over protection system

RRB: rear roller brush

SFH: slotted fillister head

SHH: slotted hex head

SHWH: slotted hex washer head

SPH: slotted pan head

SQH: square head

SRH: slotted round head

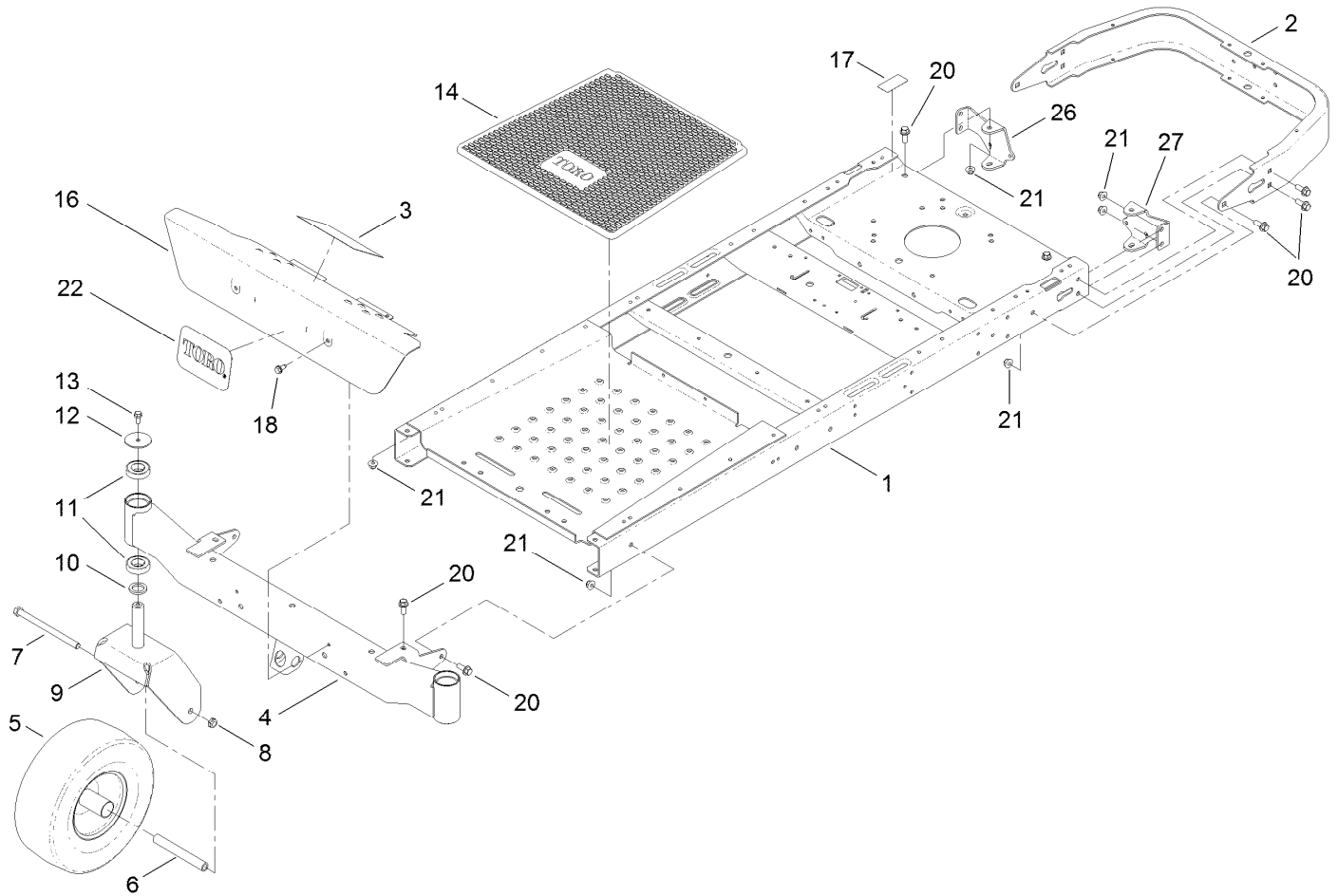
STD: standard

TAP: self tapping

TTH: torx truss head

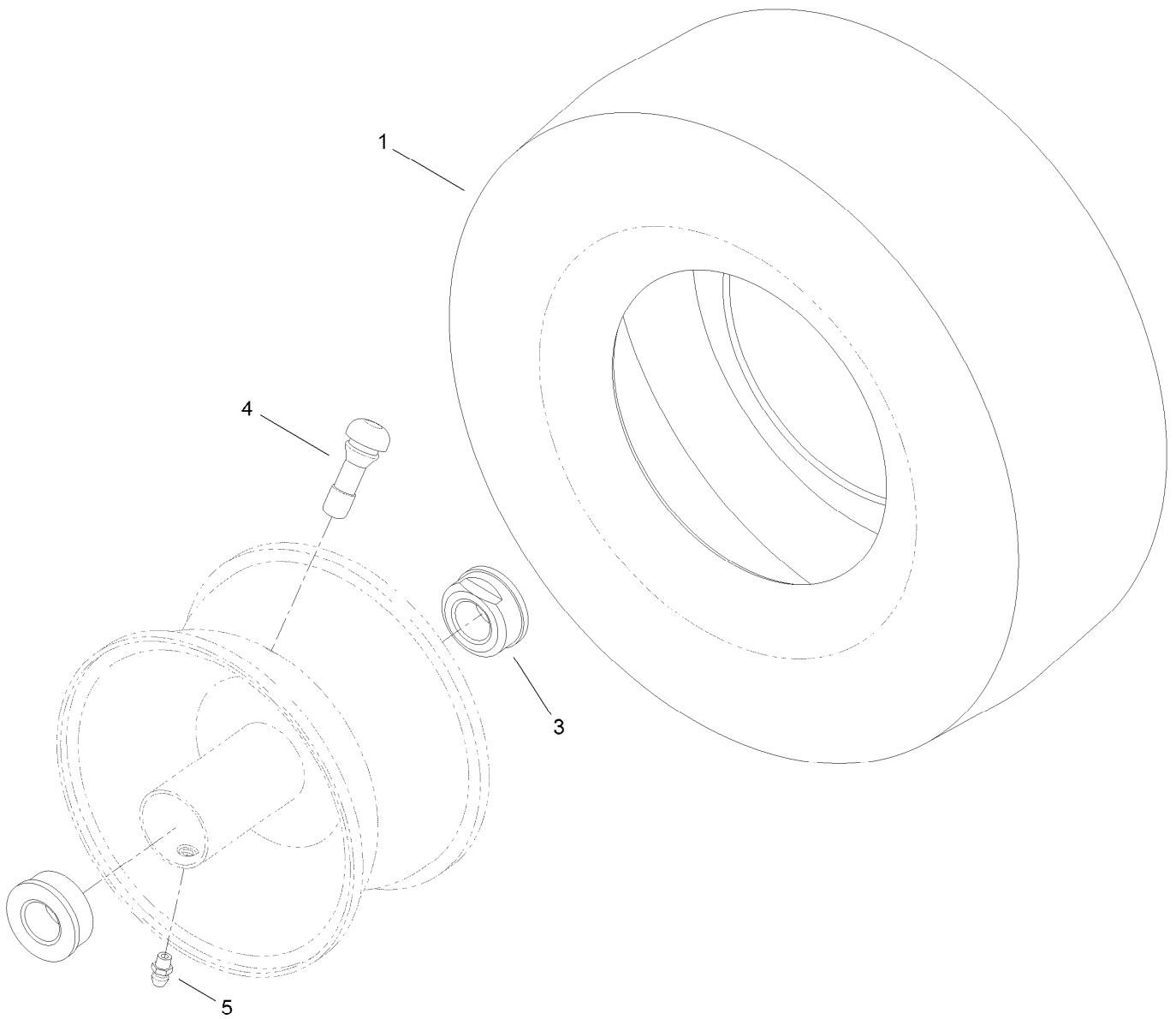
Contents

Frame, Front Axle and Caster Wheel Assembly	4
13 Inch Wheel and Tire Assembly	5
Motion Control Assembly	6
Belt and Pulley Assembly	8
Hydro Transaxle Assembly	9
RH Hydro Transaxle Assembly No. 119-3351	10
LH Hydro Transaxle Assembly No. 119-3350	12
Seat Assembly	14
Clutch Assembly	15
Engine and Muffler Assembly	16
Body Styling and Fuel Pod Assembly	17
Fuel Delivery Assembly	18
Battery and Electrical Assembly	19
Deck Lift Assembly	20
50 Inch Deck Assembly	21
50 Inch Deck Decal Assembly No. 119-8841	22
50 Inch Deck Belt, Spindle and Blade Assembly	23
Attachments and Accessories	24



Frame, Front Axle and Caster Wheel Assembly

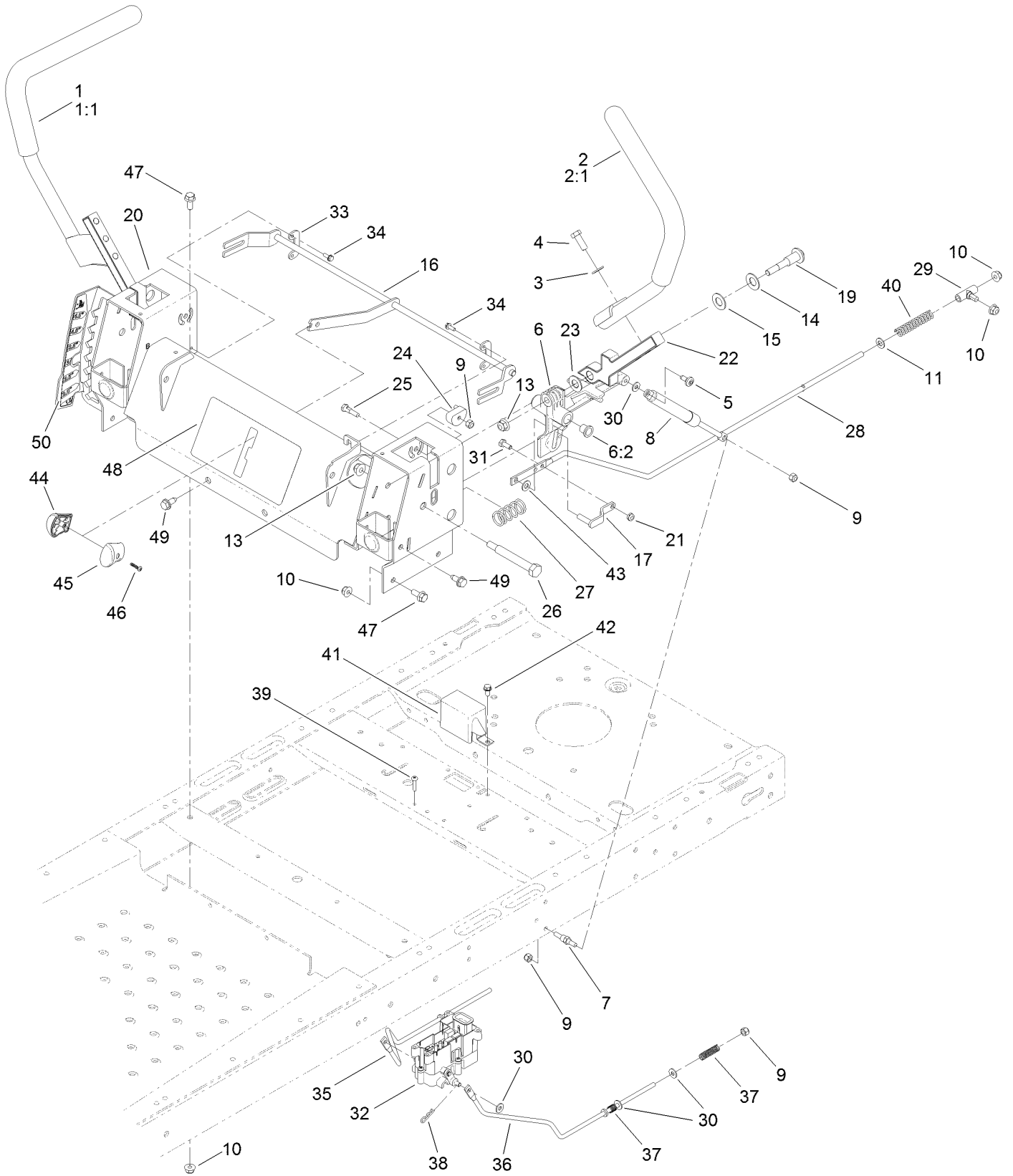
<i>Ref.</i>	<i>Part Number</i>	<i>Qty.</i>	<i>Description</i>	<i>Ref.</i>	<i>Part Number</i>	<i>Qty.</i>	<i>Description</i>
1	120-7963-01	1	Frame ASM	12	119-8915	2	Washer
2	117-7415-01	1	Bumper-Rear (Wide)	13	3234-47	2	Screw-HHF
3	120-2239	1	Decal-Danger	14	120-5454	1	Mat-Floor
4	120-5513-01	1	Axle-Front, Wide	16	117-7424-03	1	Footrest
5	119-3473	2	13 Inch Wheel And Tire ASM	17	121-2989	2	Decal-Bypass
6	119-3475	2	Spanner	18	32144-70	2	Screw-HWHTF
7	325-37	2	Screw-HH	20	3234-42	14	Screw-HHF
8	3296-45	2	Nut-Lock, NI	21	104-8301	14	Nut-Flange, NI
9	119-3349-01	2	Fork-Caster, Wide	22	99-4693	1	Decal
10	117-7394	2	Washer-Thrust	26	121-0737-01	1	Mount-Hydro, Rear RH
11	109-3678	4	Bearing-Ball	27	121-0738-01	1	Mount-Hydro, Rear LH



13 Inch Wheel and Tire Assembly

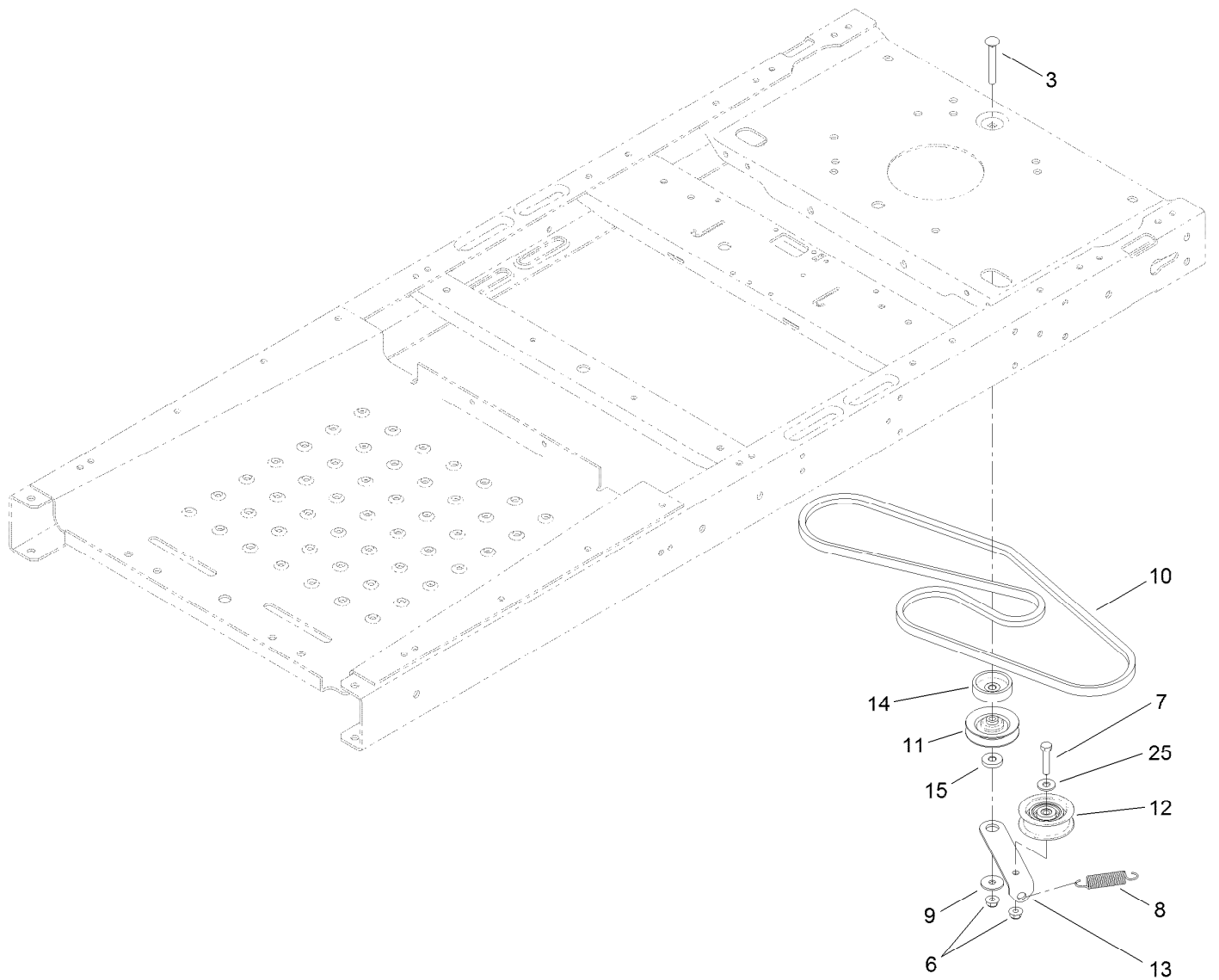
<i>Ref.</i>	<i>Part Number</i>	<i>Qty.</i>	<i>Description</i>
1	119-3471	1	Tire-13 Inch
3	114-1640	2	Bushing-Flange
4	232-27	1	Stem-Valve
5	302-5	1	Fitting-Grease

Motion Control Assembly



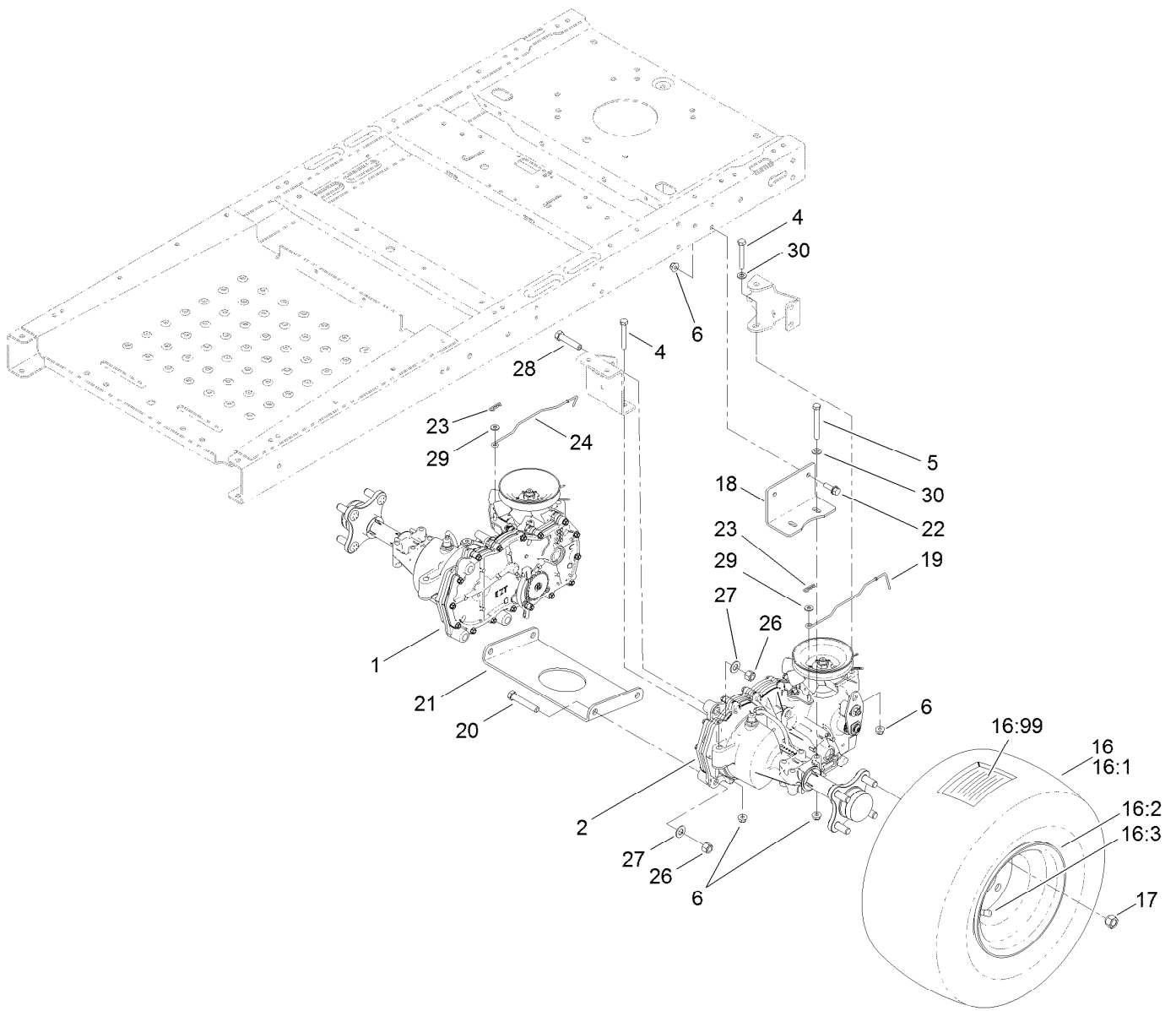
Motion Control Assembly (continued)

<i>Ref.</i>	<i>Part Number</i>	<i>Qty.</i>	<i>Description</i>	<i>Ref.</i>	<i>Part Number</i>	<i>Qty.</i>	<i>Description</i>
1	121-0731	1	Handle-Control, RH	26	115-5099	2	Bolt-Pivot
1:1	121-0726	1	Grip	27	119-8876	2	Spring-Return
2	121-0730	1	Handle-Control, LH	28	117-5388	2	Rod-Hydro
2:1	121-0726	1	Grip	29	119-8842	2	Mount-Rod, Hydro
3	3256-24	4	Washer-Flat	30	119-8952	8	Washer
4	323-6	4	Screw-HH	31	321-3	2	Screw-HH
5	120-7950	2	Screw-Shoulder	32	121-3017	1	Brake Control Module ASM
6	119-3470	2	Actuator Arm ASM	33	117-5385	2	Retainer
6:2	256-156	2	Bushing-Flange	34	32144-1	4	Screw-Taptite
7	110-6810	2	Stud-Damper	35	121-2976	1	Rod-Brake,RH-Wide
8	103-2913	2	Damper-Control, Motion	36	121-2977	1	Rod-Brake,LH-Wide
9	3296-42	8	Nut-Lock, NI	37	117-1169	4	Spring-Compression
10	104-8300	10	Nut-Flange, NI	38	3290-307	2	Pin-Hair
11	3256-23	2	Washer-Flat	39	32144-36	4	Screw-PPH
13	104-8301	4	Nut-Flange, NI	40	1-603807	2	Spring-Return, Neutral
14	119-8925	2	Washer-Belleville	41	119-8859	1	Cover-Brake
15	117-1240	2	Washer	42	32144-4	1	Screw-HWH
16	119-3300	1	Control-Speed	43	93-6079	2	Spacer-Nylon
17	119-3303	2	Pin-Rod, Hydro	44	119-8935	1	RH Knob ASM
19	117-1198	2	Bolt-Pivot	45	119-8936	1	LH Knob ASM
20	119-3387-03	1	Box-Control	46	94-4496	1	Screw-PPH
21	3296-56	2	Nut-Lock, NI	47	3234-47	6	Screw-HHF
22	115-5098-05	2	Lever-Control	48	119-8874	1	Decal-Speed Control
23	120-2273	2	Washer-Nylon	49	32144-70	4	Screw-HWHTF
24	115-9604	2	Eccentric	50	119-8870	1	Decal-HOC
25	119-3301	2	Bolt-Pivot, Eccentric				



Belt and Pulley Assembly

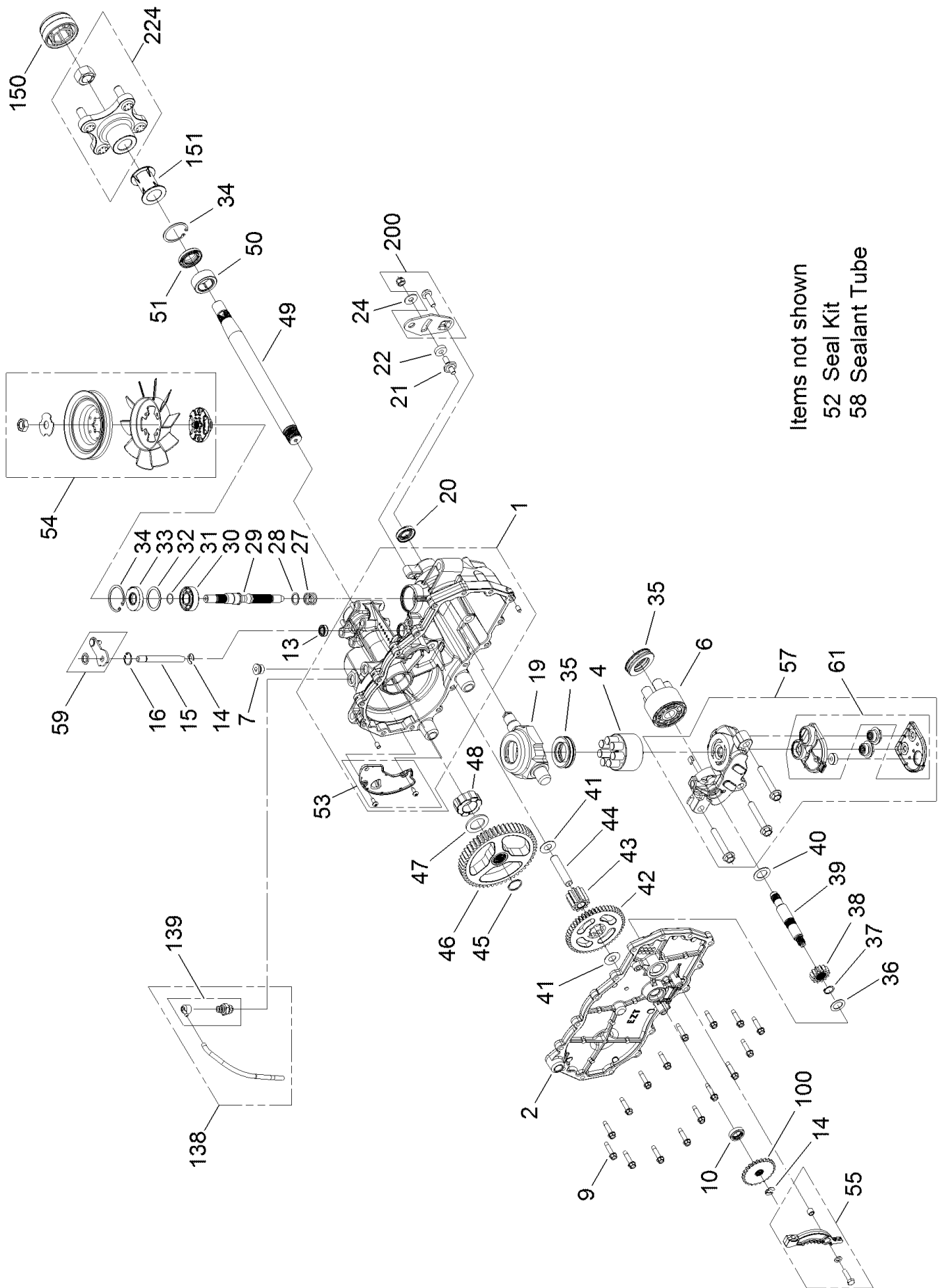
<i>Ref.</i>	<i>Part Number</i>	<i>Qty.</i>	<i>Description</i>
3	3230-8	1	Screw-CARR
6	104-8300	2	Nut-Flange, NI
7	322-7	1	Screw-HH
8	104-6415	1	Spring-Return, Pedal
9	5-4460	1	Washer-Pivot
10	119-3321	1	V-Belt
11	119-8822	1	Pulley-Idler
12	106-2176	1	Pulley-Idler
13	119-3326	1	Arm-Idler
14	119-3353	1	Spacer
15	119-3327	1	Spacer-Arm, Idler
25	3256-3	1	Washer-Flat



Hydro Transaxle Assembly

<i>Ref.</i>	<i>Part Number</i>	<i>Qty.</i>	<i>Description</i>	<i>Ref.</i>	<i>Part Number</i>	<i>Qty.</i>	<i>Description</i>
1	119-3351	1	RH Hydro Transaxle ASM	19	121-2971	1	Rod-Bypass, LH
2	119-3350	1	LH Hydro Transaxle ASM	20	324-10	4	Screw-HH
4	322-11	4	Screw-HH	21	119-3342-03	1	Cross Plate-Hydro
5	322-13	4	Screw-HH	22	3234-29	4	Screw-HHF
6	104-8300	12	Nut-Flange, NI	23	3290-307	2	Pin-Hair
16	119-8908	2	Wheel And Tire ASM	24	121-0752	1	Rod-Bypass, RH
16:1	119-8909	1	Tire	26	3296-48	6	Nut-Lock, NI
16:2	217-60	1	Rim	27	3256-25	6	Washer-Flat
16:3	232-27	1	Stem-Valve	28	324-8	2	Screw-HH
16:99	232-37	1	Tube	29	3256-22	2	Washer-Flat
17	242-50	8	Nut-Lug	30	3256-23	6	Washer-Flat
18	117-7264-03	2	Mount-Hydro				

RH Hydro Transaxle Assembly No. 119-3351

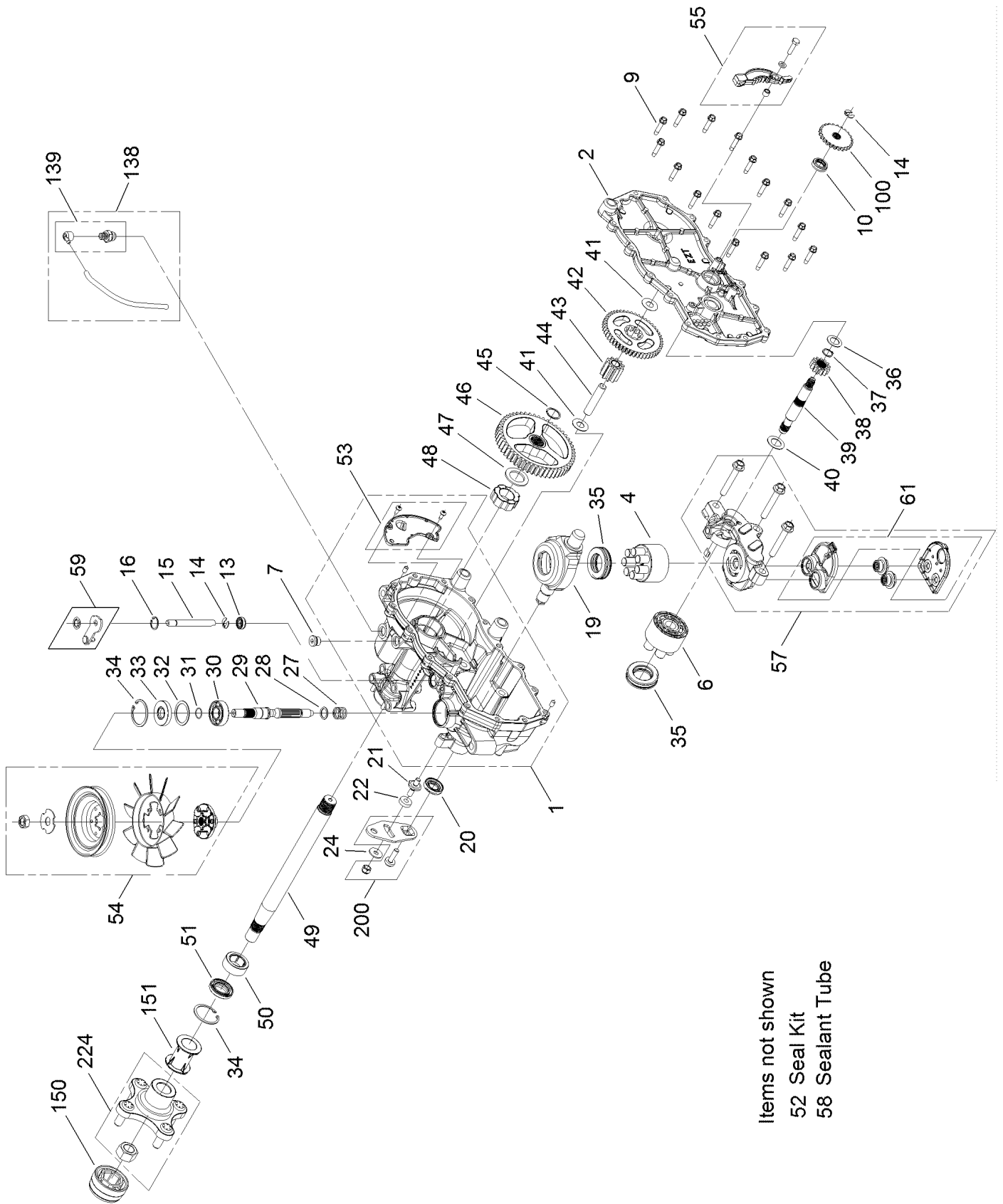


RH Hydro Transaxle Assembly No. 119-3351 (continued)

<i>Ref.</i>	<i>Part Number</i>	<i>Qty.</i>	<i>Description</i>	<i>Ref.</i>	<i>Part Number</i>	<i>Qty.</i>	<i>Description</i>
1	106-8674	1	Main Housing ASM	39	106-8683	1	Shaft-Motor
2	106-8675	1	Side ASM	40	104-5360	1	Washer-Shaft, Motor
4	110-8561	1	Pump Block ASM	41	119-5541	2	Washer
6	103-2666	1	Cylinder Block Kit	42	104-5317	1	Gear
7	104-2189	1	Plug-Thread, Straight	43	104-5318	1	Gear-Jackshaft, 10T
9	104-5305	16	Screw-HHF	44	104-5329	1	Pin-Jackshaft
10	104-5347	1	Seal-Oil	45	112-9854	1	Ring-Spiral, Retaining
13	106-8676	1	Seal-Lip	46	112-9855	1	Gear-52T, Bull
14	106-8677	1	Ring-Retaining, EXT	47	112-9856	1	Washer
15	106-8678	1	Rod-Bypass	48	112-9857	1	Bearing-Sleeve
16	106-8679	1	Ring-Retaining, Int	49	120-7104	1	Shaft-Axle
19	104-5304	1	Swashplate-Trunnion	50	112-9859	1	Bushing-Axle
20	104-5313	1	Seal-Lip	51	112-9860	1	Seal-Lip
21	104-2116	1	Stud	52	106-8686	1	Seal Kit ●
22	112-9853	1	Puck-Friction	53	106-8687	1	Expansion Plate Kit
24	114-8491	1	Washer	54	120-7105	1	Fan Pulley Kit
27	120-5537	1	Spring-Compression	55	106-8688	1	Brake Arm Kit
28	120-5538	1	Washer	57	112-9862	1	Center Section Filter Kit
29	104-5306	1	Shaft-Input	58	104-2147	1	Sealant ●
30	104-5311	1	Bearing-Ball	59	107-2489	1	Bypass Arm Kit
31	104-5307	1	Ring-Retaining	61	114-1634	1	Filter Kit
32	104-5308	1	Spacer	100	106-8694	1	Disc-Brake, Cog
33	104-5310	1	Seal-Lip	138	112-9866	1	Breather Kit
34	104-5309	1	Ring-Retaining	139	114-1635	1	Breather ASM
35	94-6922	2	Bearing-Thrust	150	115-5057	1	Cover-Nut, Axle
36	104-5339	1	Washer-Flat	151	120-7109	1	Tube-Axle
37	104-5340	1	Ring-Retaining	200	117-5362	1	Arm Control Kit
38	104-5316	1	Gear-Pinion, 13T	224	120-7110	1	Hub ASM

● Not illustrated

LH Hydro Transaxle Assembly No. 119-3350

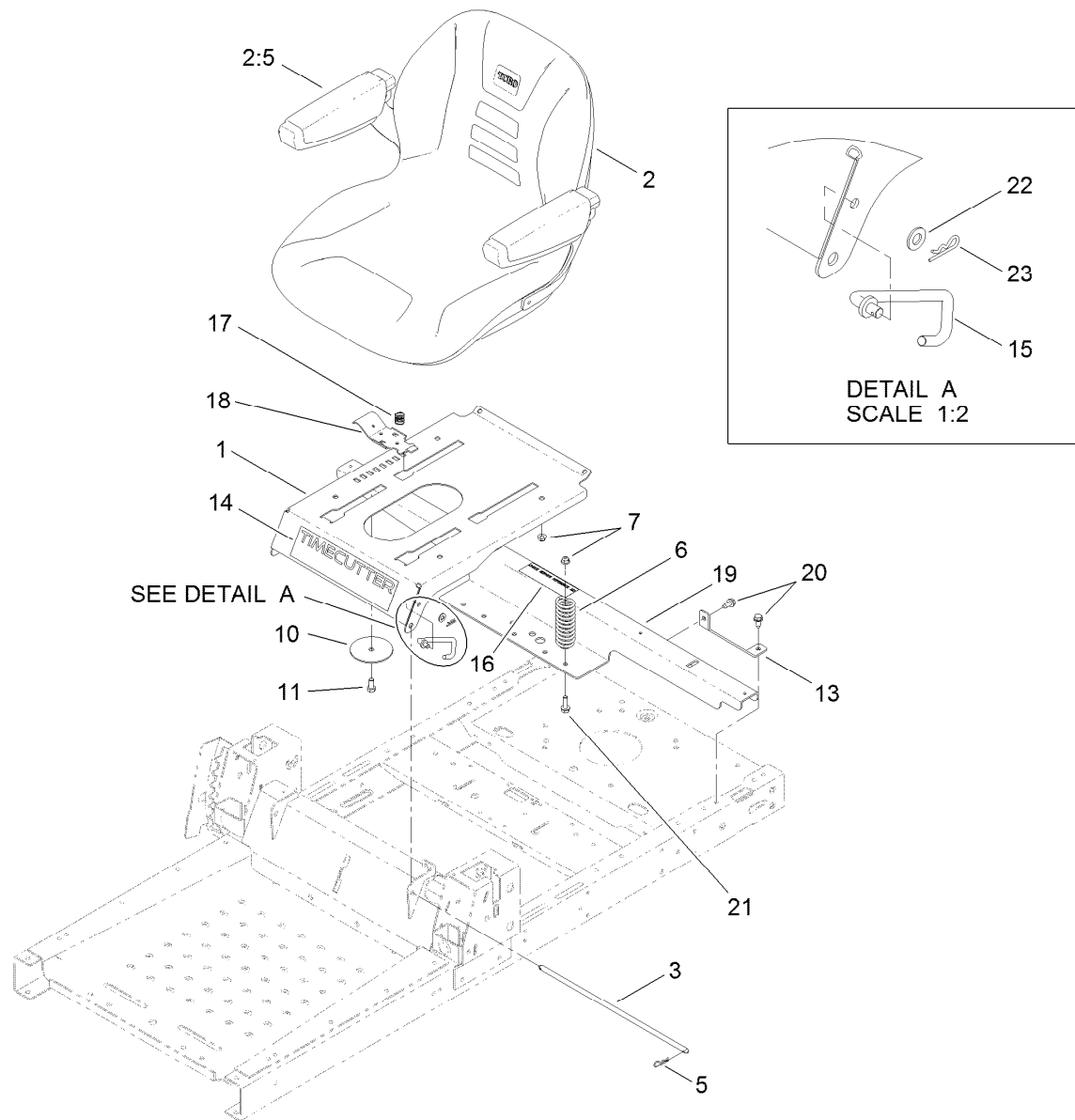


Items not shown
 52 Seal Kit
 58 Sealant Tube

LH Hydro Transaxle Assembly No. 119-3350 (continued)

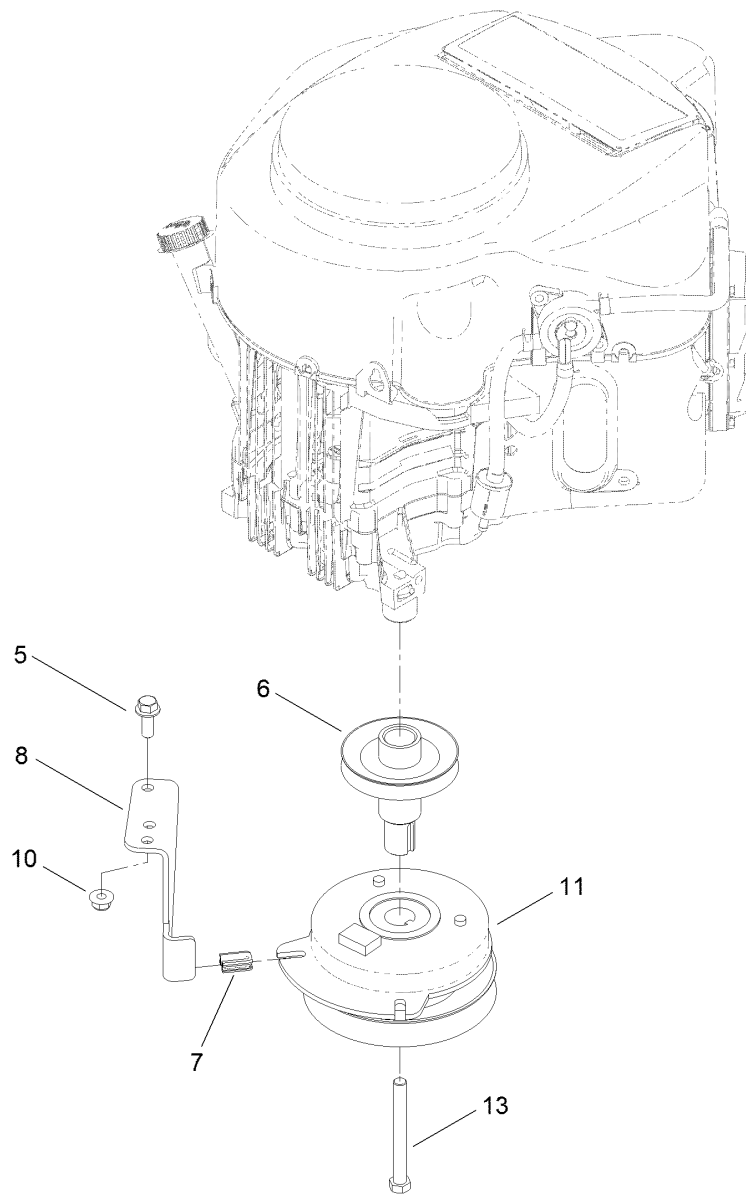
<i>Ref.</i>	<i>Part Number</i>	<i>Qty.</i>	<i>Description</i>	<i>Ref.</i>	<i>Part Number</i>	<i>Qty.</i>	<i>Description</i>
1	106-8695	1	Main Housing ASM	39	106-8683	1	Shaft-Motor
2	106-8696	1	Side ASM	40	104-5360	1	Washer-Shaft, Motor
4	110-8561	1	Pump Block ASM	41	119-5541	2	Washer
6	103-2666	1	Cylinder Block Kit	42	104-5317	1	Gear
7	104-2189	1	Plug-Thread, Straight	43	104-5318	1	Gear-Jackshaft, 10T
9	104-5305	16	Screw-HHF	44	104-5329	1	Pin-Jackshaft
10	104-5347	1	Seal-Oil	45	112-9854	1	Ring-Spiral, Retaining
13	106-8676	1	Seal-Lip	46	112-9855	1	Gear-52T, Bull
14	106-8677	2	Ring-Retaining, EXT	47	112-9856	1	Washer
15	106-8678	1	Rod-Bypass	48	112-9857	1	Bearing-Sleeve
16	106-8679	1	Ring-Retaining, Int	49	120-7104	1	Shaft-Axle
19	104-5304	1	Swashplate-Trunnion	50	112-9859	1	Bushing-Axle
20	104-5313	1	Seal-Lip	51	112-9860	1	Seal-Lip
21	104-2116	1	Stud	52	106-8686	1	Seal Kit ●
22	112-9853	1	Puck-Friction	53	106-8697	1	Expansion Plate Kit
24	114-8491	1	Washer	54	105-1928	1	Fan Pulley Kit
27	120-5537	1	Spring-Compression	55	106-8688	1	Brake Arm Kit
28	120-5538	1	Washer	57	112-9861	1	Center Section Filter Kit
29	104-5306	1	Shaft-Input	58	104-2147	1	Sealant ●
30	104-5311	1	Bearing-Ball	59	120-5549	1	Bypass Kit
31	104-5307	1	Ring-Retaining	61	114-1634	1	Filter Kit
32	104-5308	1	Spacer	100	106-8694	1	Disc-Brake, Cog
33	104-5310	1	Seal-Lip	138	112-9866	1	Breather Kit
34	104-5309	2	Ring-Retaining	139	114-1635	1	Breather ASM
35	94-6922	2	Bearing-Thrust	150	115-5057	1	Cover-Nut, Axle
36	104-5339	1	Washer-Flat	151	120-7109	1	Tube-Axle
37	104-5340	1	Ring-Retaining	200	117-5362	1	Arm Control Kit
38	104-5316	1	Gear-Pinion, 13T	224	120-7110	1	Hub ASM

● Not illustrated



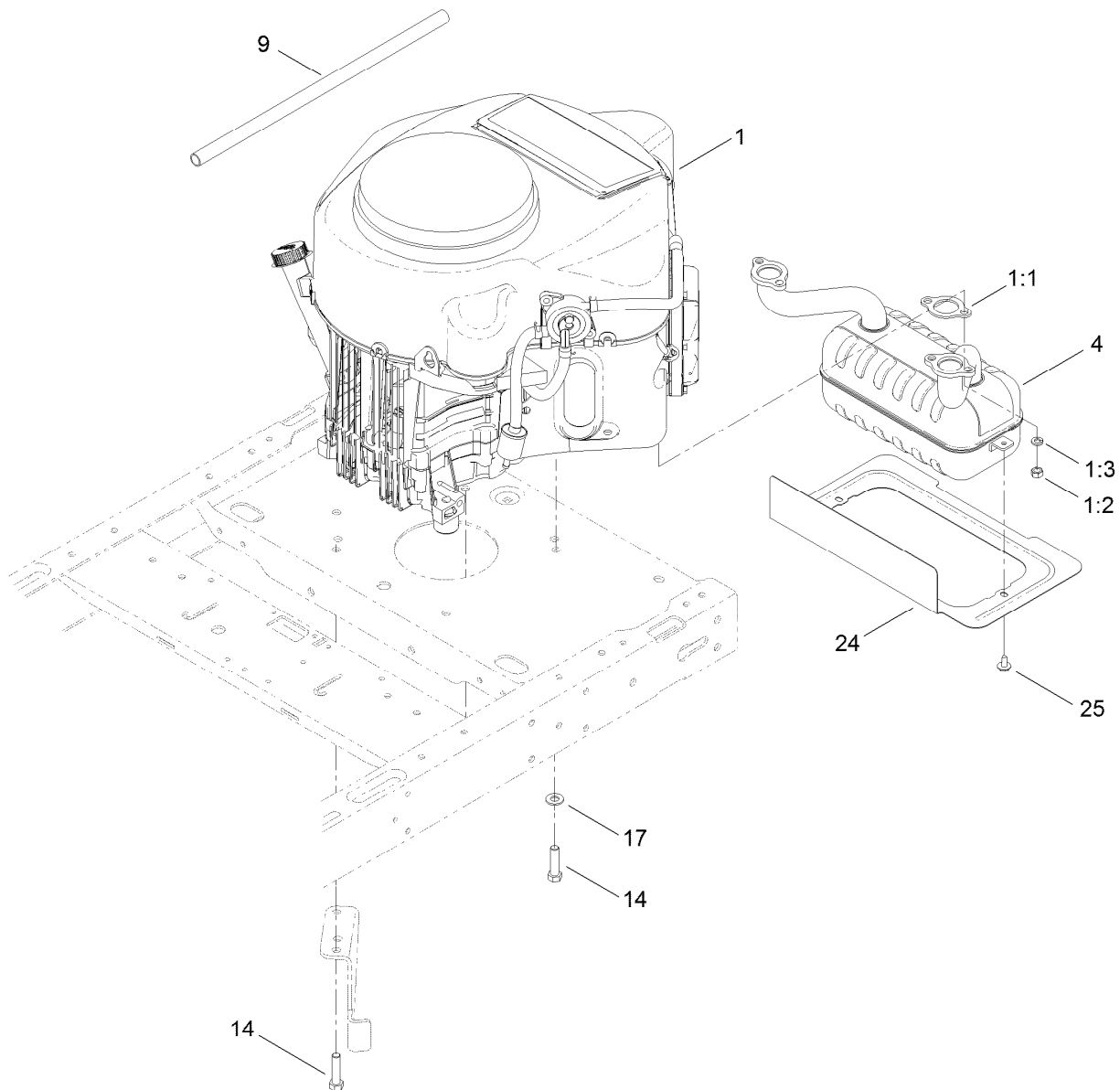
Seat Assembly

Ref.	Part Number	Qty.	Description	Ref.	Part Number	Qty.	Description
1	119-3390-01	1	Pan-Seat	14	120-5460	1	Decal-Timecutter
2	115-5053	1	18 Inch Seat ASM	15	119-8972	1	Stop-Seat
2:5	119-3307	1	Armrest Kit	16	106-8717	1	Decal-Service
3	115-4966	1	Rod-Stop	17	115-9624	1	Spring-Compression
5	3290-250	2	Pin-Hair	18	115-9623	1	Latch-Seat
6	92-7054	3	Spring-Compression	19	119-3414-03	1	Support-Pod
7	104-8300	3	Nut-Flange, NI	20	32144-70	4	Screw-HWHTF
10	117-5307	1	Washer-Seat	21	3234-29	3	Screw-HHF
11	323-4	1	Screw-HH	22	3256-23	1	Washer-Flat
13	119-3431-03	2	Support-Tank, Rear	23	3290-307	1	Pin-Hair



Clutch Assembly

<i>Ref.</i>	<i>Part Number</i>	<i>Qty.</i>	<i>Description</i>
5	3234-42	1	Screw-HHF
6	119-3318	1	Pulley-Engine
7	120-2217	1	Isolator-Clutch
8	119-8885	1	Stop-Clutch
10	104-8301	1	Nut-Flange, NI
11	110-6766	1	Clutch-Electric, PTO
13	3212-17	1	Screw-HH

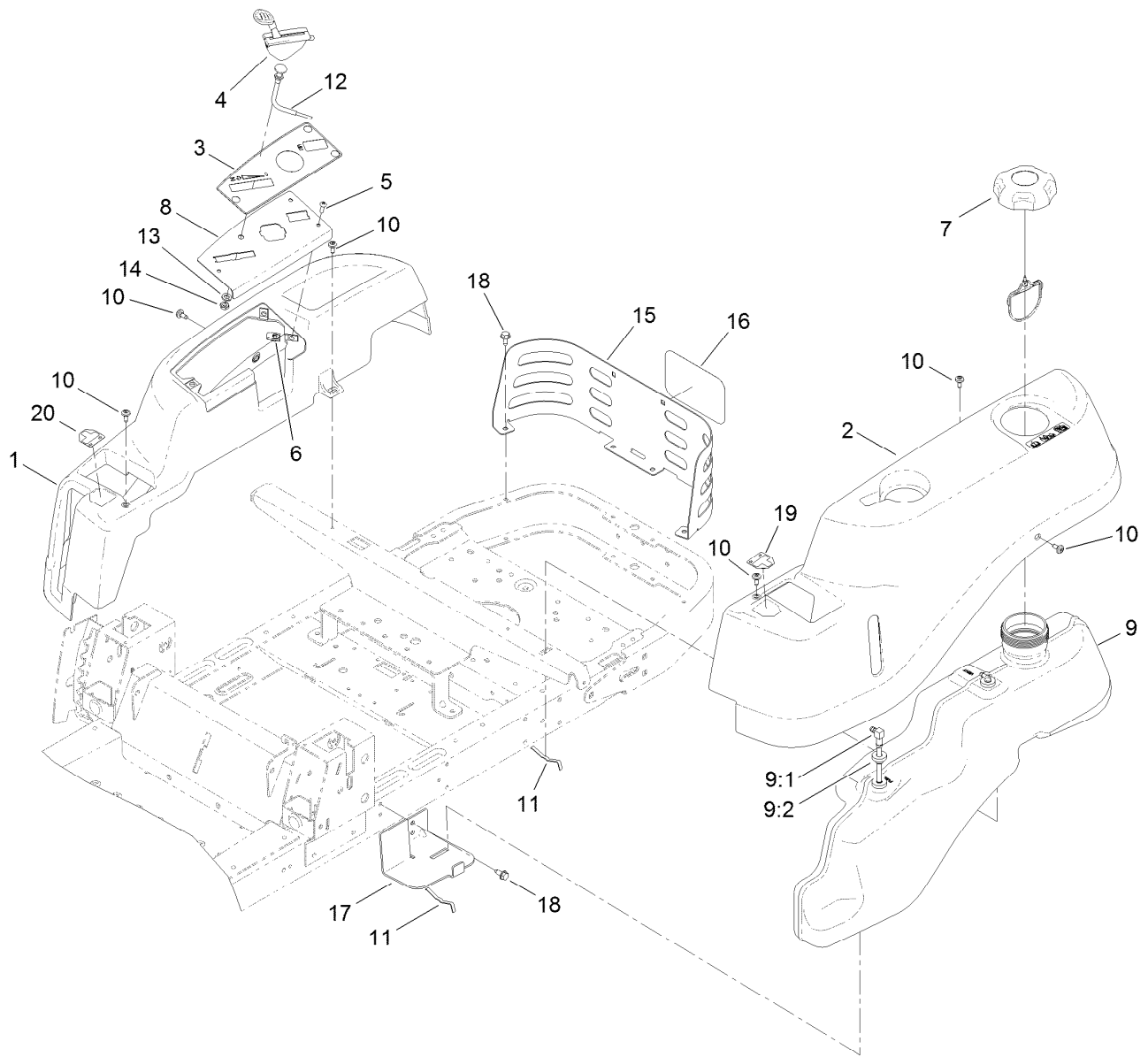


Engine and Muffler Assembly

Ref.	Part Number	Qty.	Description
1		1	Engine-Kawasaki, Fr691V-_s07-R ●■
1:1	1-653313	2	Gasket-Exhaust
1:2	114-3549	4	Nut
1:3	114-3550	4	Washer-Lock, Spring
4	117-7256	1	Muffler-Kawasaki
9	106-7022	1	Tube-Drain, Oil
14	323-50	4	Bolt-HH
17	3256-24	3	Washer-Flat
24	121-2973-03	1	Shield-Heat
25	46-8560	2	Screw-HHFTF

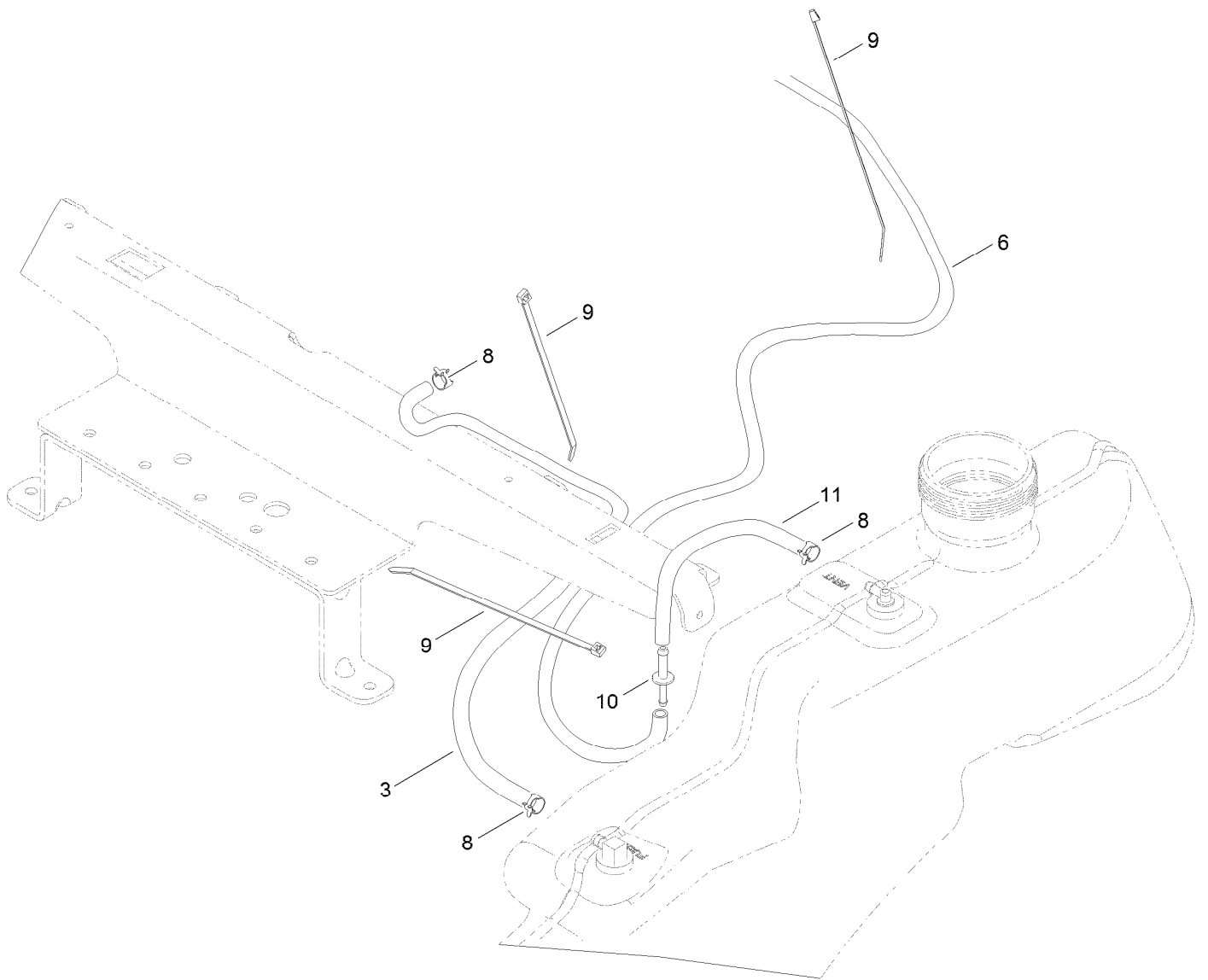
● Not serviced separately

■ Obtain parts from www.kawpowerpc.com



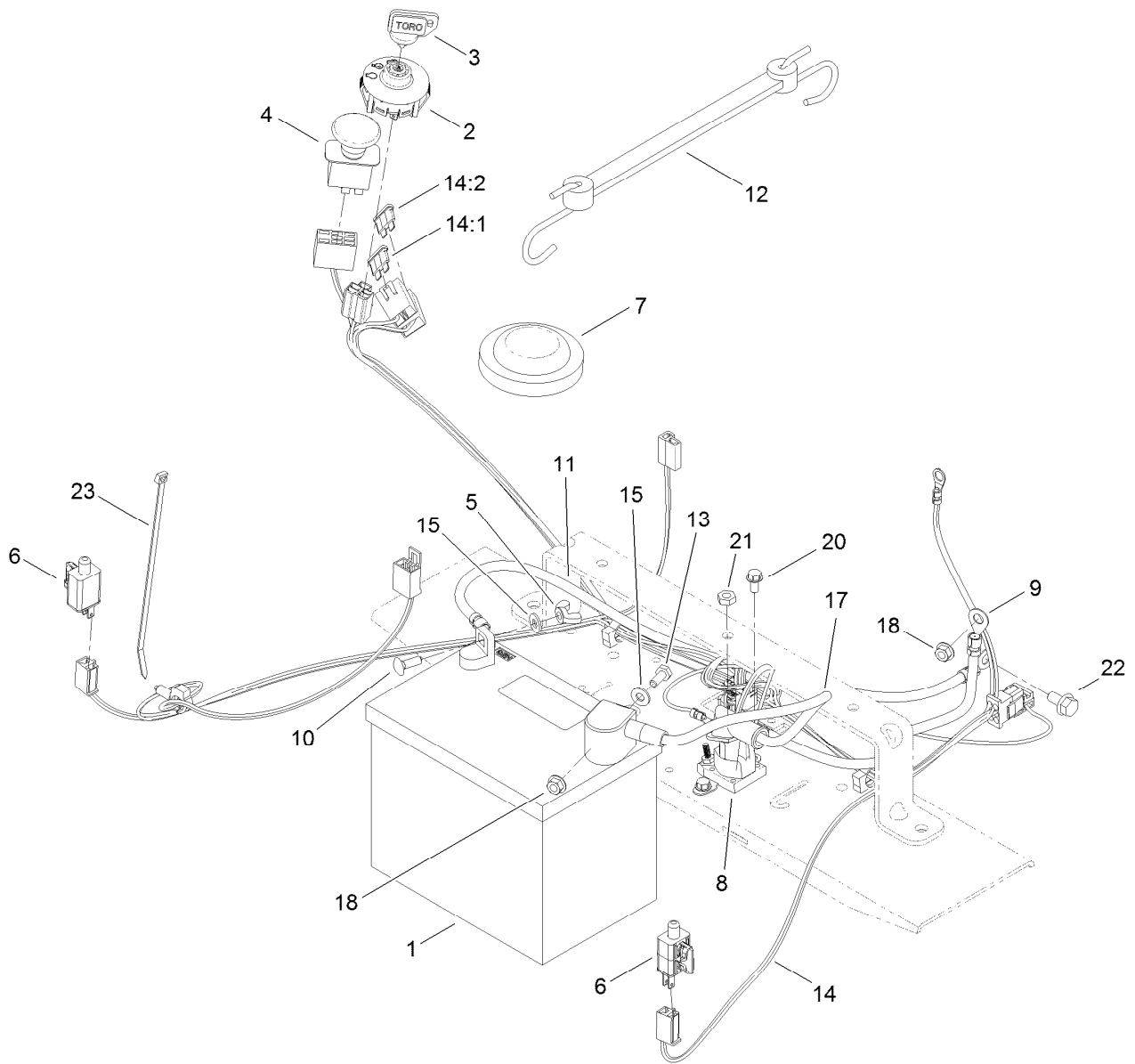
Body Styling and Fuel Pod Assembly

<i>Ref.</i>	<i>Part Number</i>	<i>Qty.</i>	<i>Description</i>	<i>Ref.</i>	<i>Part Number</i>	<i>Qty.</i>	<i>Description</i>
1	119-3338	1	Pod-RH	10	120-7950	6	Screw-Shoulder
2	119-3337	1	Pod-LH	11	609830	2	Spring
3	121-0773	1	Decal-Panel, Control	12	112-9753	1	Cable-Choke
4	121-0769	1	Cable-Throttle	13	3253-21	1	Washer-Lock
5	3258-166	3	Screw-PRH	14	3220-3	1	Nut-HJ
6	107069	3	Clip	15	119-3304-03	1	Guard-Rear
7	120-5461	1	Cap-Fuel, Ratcheting	16	99-4693	1	Decal
8	119-3377-03	1	Plate-Control	17	119-3395-03	1	Support-Tank, Front
9	119-3324	1	Fuel Tank ASM	18	32144-70	6	Screw-HWHTF
9:1	121-0793	1	Connector-Elbow, 90 DEG	19	119-8814	1	Decal-Control Lever, LH
9:2	46-6560	2	Bushing	20	119-8815	1	Decal-Control Lever, RH



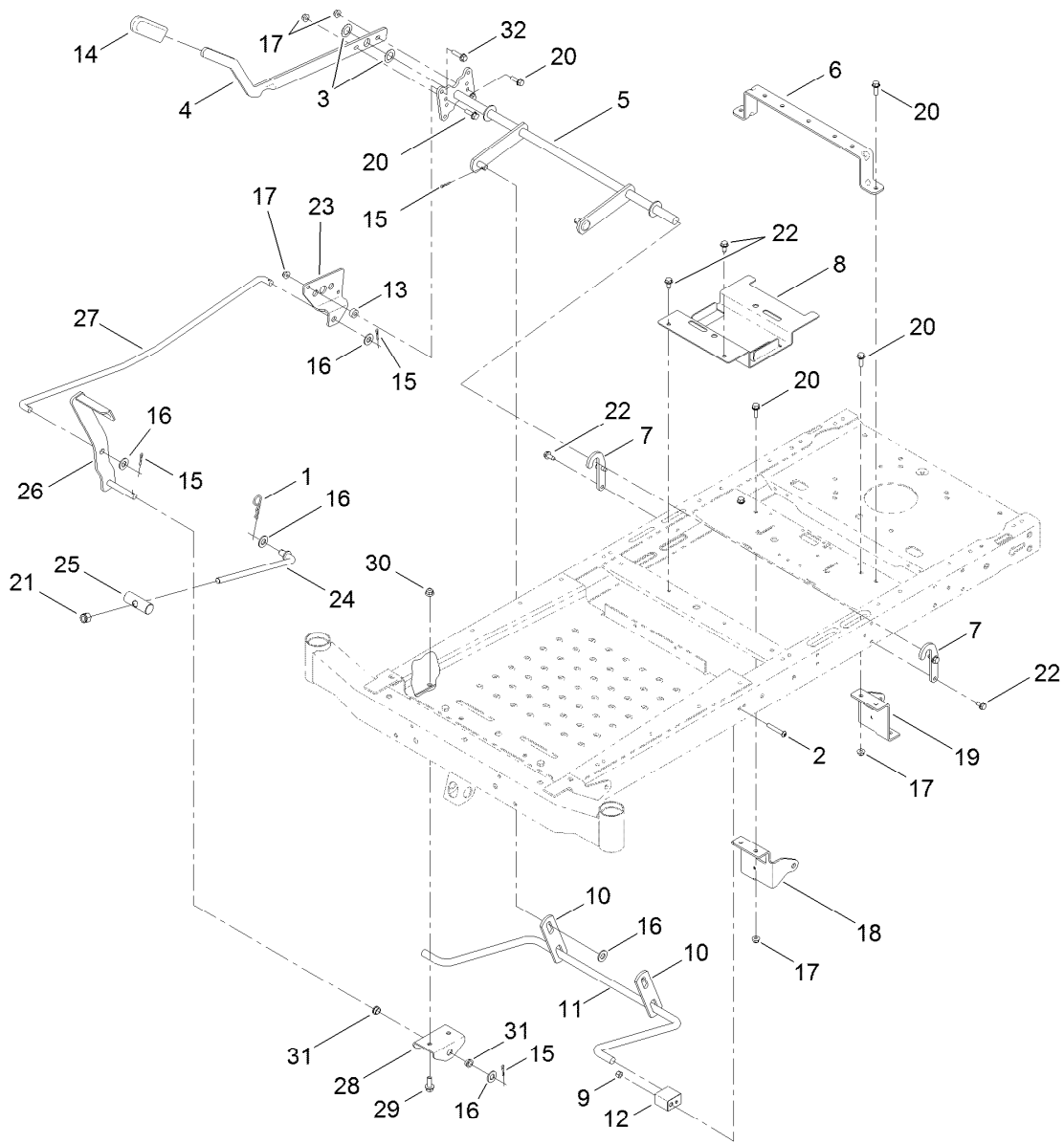
Fuel Delivery Assembly

<i>Ref.</i>	<i>Part Number</i>	<i>Qty.</i>	<i>Description</i>
3	110-5701	1	Hose-Fuel
6	51-3212	1	Hose-Fuel
8	2412-98	3	Clamp-Hose
9	614249	3	Tie-Cable
10	117-5399	1	Adaptor-Orifice
11	110-1876	1	Hose-Fuel



Battery and Electrical Assembly

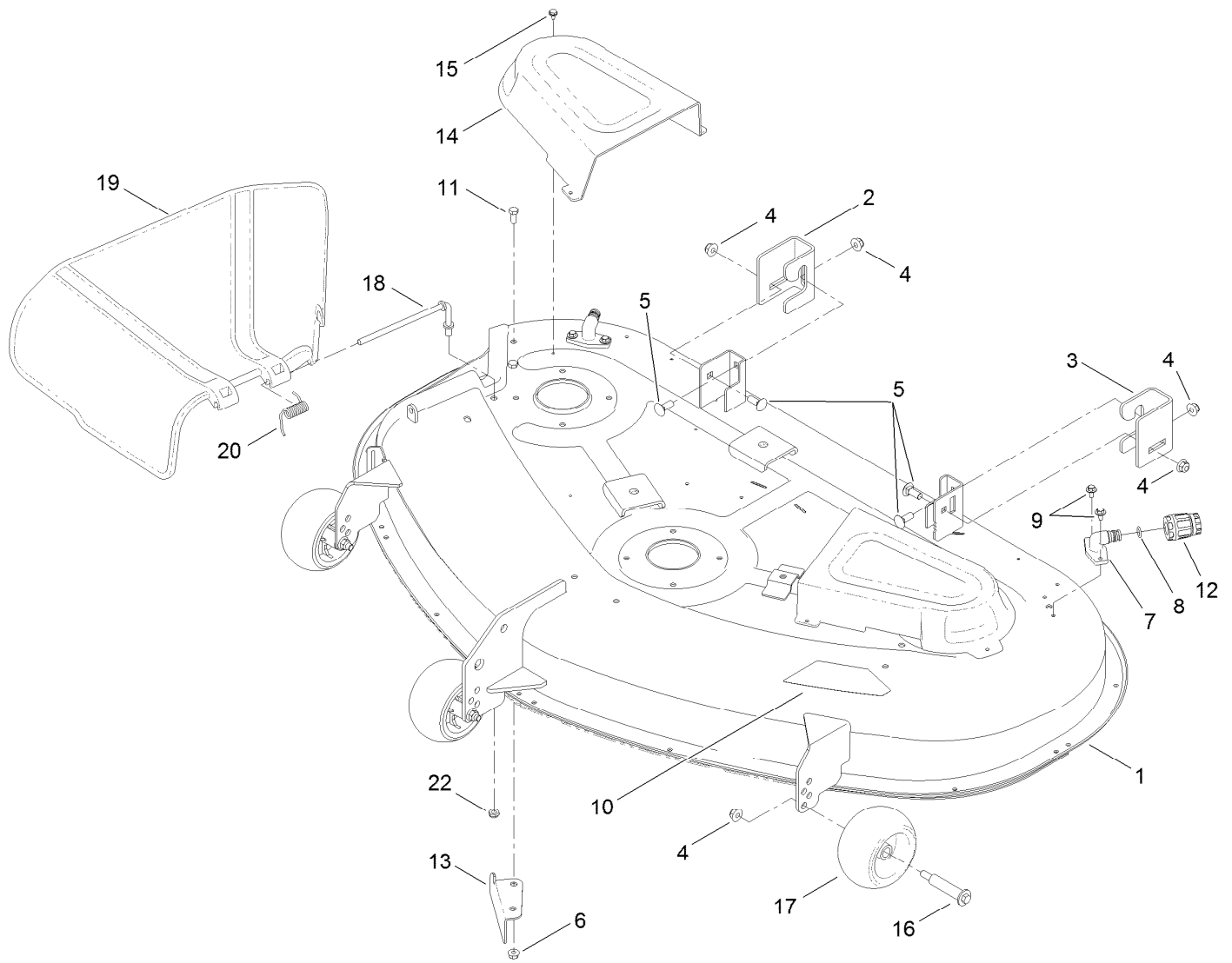
<i>Ref.</i>	<i>Part Number</i>	<i>Qty.</i>	<i>Description</i>	<i>Ref.</i>	<i>Part Number</i>	<i>Qty.</i>	<i>Description</i>
1	105-1692	1	Battery	13	321-3	1	Screw-HH
2	117-2221	1	Switch-Ignition	14	121-5652	1	Harness-Wire
3	63-8360	1	Key-Ignition	14:1	109103	1	Fuse-Blade, 30 Amp
4	103-5221	1	Switch-PTO	14:2	109102	1	Fuse-Blade, 25 Amp
5	32103-22	1	Nut-Wing	15	3256-22	2	Washer-Flat
6	110-6765	2	Switch-Single Pole No	17	119-8897	1	Cable-Battery, Red
7	100-3524	1	Switch-Seat	18	32128-33	2	Nut-HF
8	117-1197	1	Solenoid	20	32144-4	2	Screw-HWH
9	119-8898	1	Cable-Battery, Red	21	3220-2	2	Nut-Jam
10	3229-1	1	Screw-CARR	22	33104-016	1	Screw-HHF
11	119-8899	1	Cable-Battery, Black	23	614249	1	Tie-Cable
12	104-2466	1	Holddown-Battery				



Deck Lift Assembly

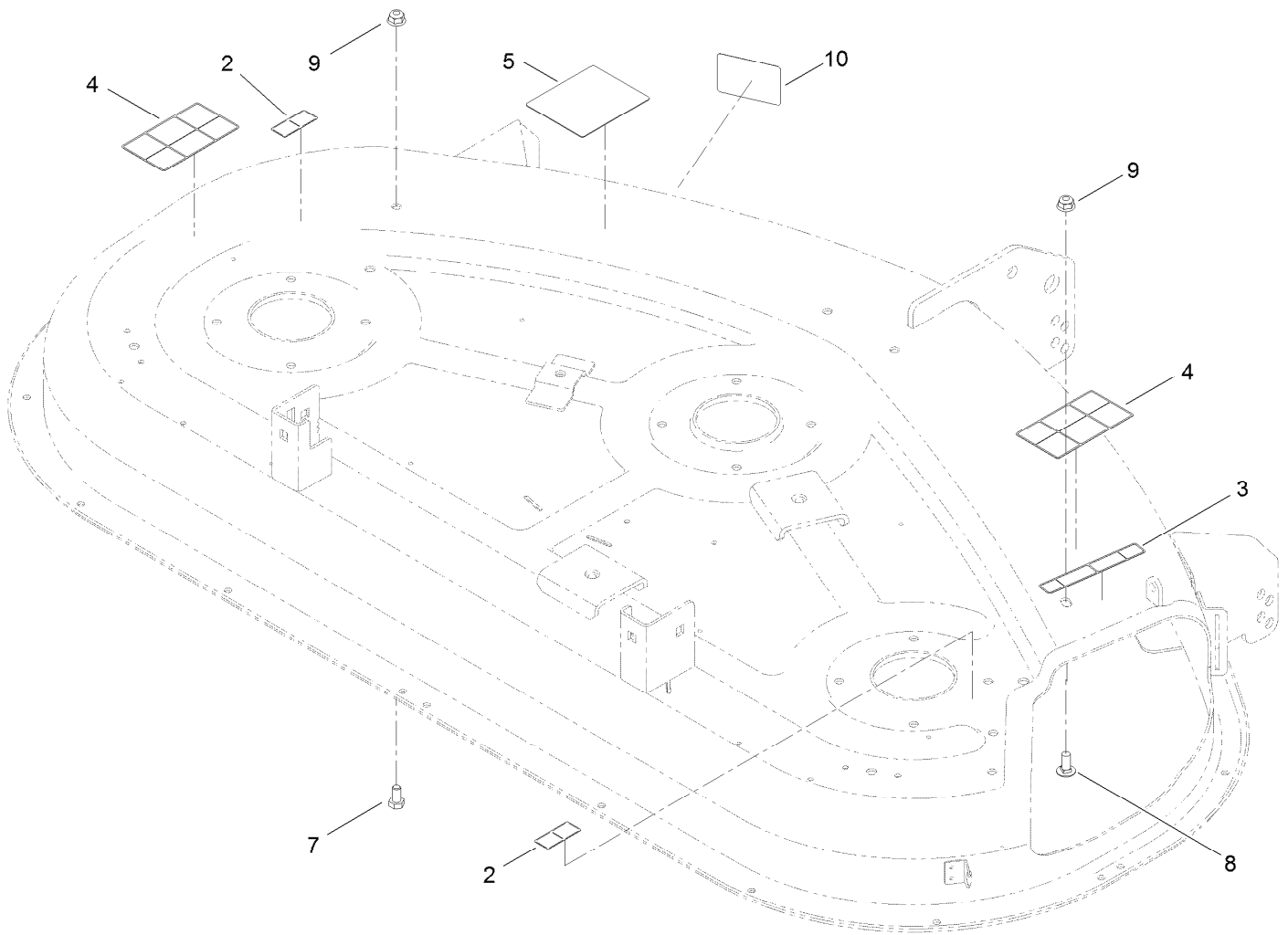
Ref.	Part Number	Qty.	Description
1	1-806005	1	Pin-Hair
2	120-5499	2	Screw-HSBH
3	3-6498	2	Washer-Thrust
4	119-3427-03	1	Lever-Lift
5	119-3424-03	1	Deck Lift ASM
6	117-7337-03	1	Brace-Seat, Rear
7	119-8875	2	Bracket-Lift
8	119-3406-03	1	Bracket-Battery
9	3296-29	2	Nut-Lock, NI
10	108-7840	2	Link-Lift
11	119-3347	1	Arm-Lift, Rear
12	108-7845	2	Block-Pivot
13	112-3961	2	Spacer
14	1-633268	1	Grip-Lever
15	3272-10	5	Pin-Cotter
16	3256-26	6	Washer-Flat

Ref.	Part Number	Qty.	Description
17	104-8300	6	Nut-Flange, NI
18	119-8861-01	1	Mount-Hydro, Front RH
19	119-8862-01	1	Mount-Hydro, Front LH
20	3234-29	4	Screw-HHF
21	3296-19	1	Nut-Hex
22	32144-70	6	Screw-HWHTF
23	120-2275	1	Plate-Footlift
24	104-8047	1	Rod-Trunion
25	119-8810	1	Pin-Pivot
26	120-2276-03	1	Pedal ASM
27	120-2242	1	Rod-Footlift
28	120-2294-03	1	Bracket-Footlift
29	3234-42	2	Screw-HHF
30	104-8301	2	Nut-Flange, NI
31	256-156	2	Bushing-Flange
32	3234-36	2	Screw-HHF



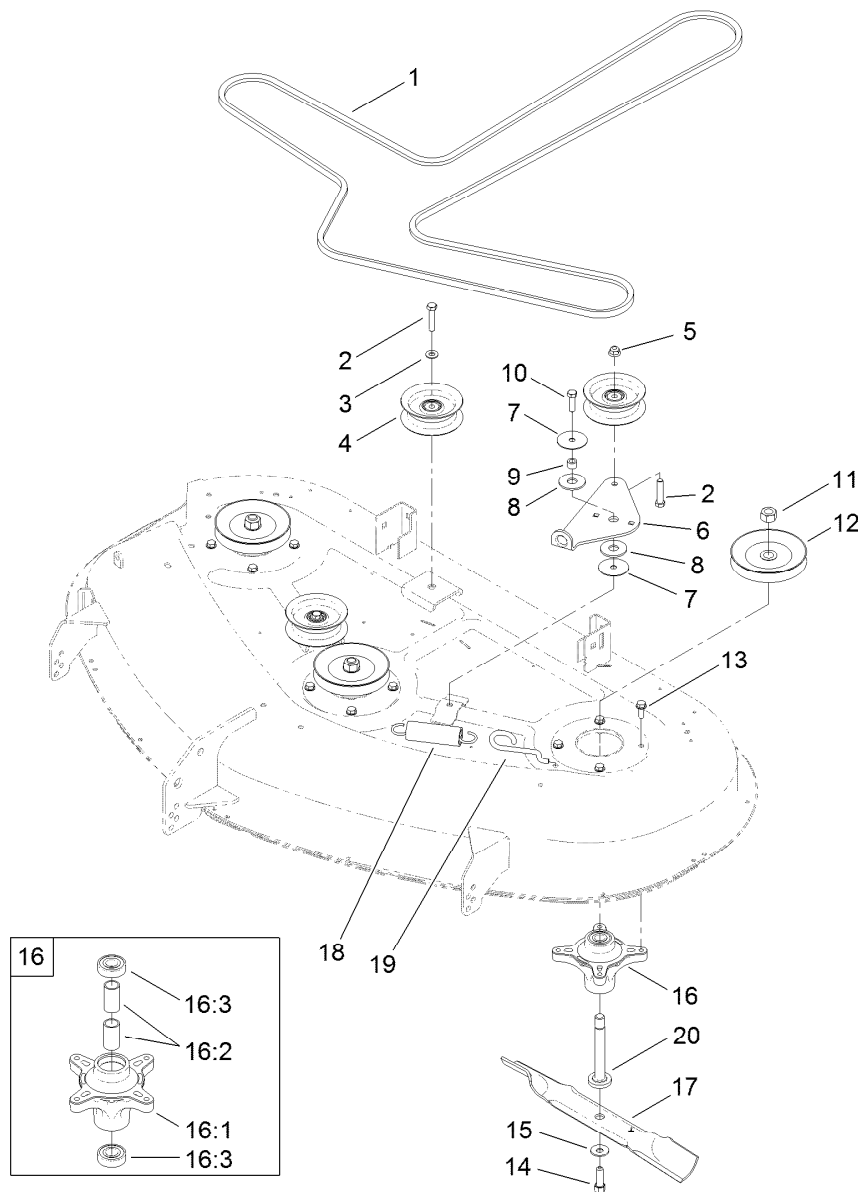
50 Inch Deck Assembly

Ref.	Part Number	Qty.	Description	Ref.	Part Number	Qty.	Description
1	119-8841	1	50 Inch Deck And Decal ASM	11	322-3	2	Screw-HH
2	119-3494	1	Bracket-Hanger, RH	12	95-3270	1	Connector-Hose
3	119-3496	1	Bracket-Hanger, LH	13	112-3983-03	1	Baffle-Cutoff
4	104-8301	7	Nut-Flange, NI	14	108-7890	2	Cover-Belt
5	3231-2	4	Screw-CARR	15	32104-76	6	Screw
6	104-8300	2	Nut-Flange, NI	16	112-3977	3	Bolt-Shoulder
7	95-2747	2	Fitting-Washout	17	1-603299	3	Roller-Scalp, Anti
8	46-6290	2	O-Ring, Seal	18	112-3950	1	Rod-Pivot
9	46-8560	4	Screw-HHFTF	19	108-7895	1	Deflector
10	117-1223	1	Decal	20	110-6694	1	Spring-Torsion
				22	3296-59	1	Nut-Lock, NI



50 Inch Deck Decal Assembly No. 119-8841

<i>Ref.</i>	<i>Part Number</i>	<i>Qty.</i>	<i>Description</i>
2	114-1606	2	Decal-Danger, Pulley
3	93-7009	1	Decal-Danger, Deflector
4	110-6691	2	Decal-Danger
5	99-3943	1	Decal-Routing, Belt
7	322-2	1	Screw-HH
8	3230-23	1	Screw-CARR
9	104-8300	2	Nut-Flange, NI
10	112-9840	1	Decal-Scalp, Anti



50 Inch Deck Belt, Spindle and Blade Assembly

Ref.	Part Number	Qty.	Description	Ref.	Part Number	Qty.	Description
1	119-8820	1	V-Belt	13	32144-41	12	Screw-Taptite
2	323-9	3	Screw-HH	14	26-0671	3	Screw-HH
3	3256-24	2	Washer-Flat	15	3290-465	3	Washer-Belleville
4	106-2175	3	Pulley-Idler, Flat	16	121-0751	3	Spindle ASM
5	104-8301	1	Nut-Flange, NI	16:1	117-7267	1	Spindle
6	114-8540	1	Arm-Idler	16:2	120-7935	2	Spacer
7	120-2229	2	Washer-Idler Pivot	16:3	100-1048	2	Bearing-Ball
8	114-0463	2	Washer-Friction, Composite	17	115-5059-03	3	Blade-Hi Lift, 17.50 Inch
9	115-4986	1	Spacer	18	1-603414	1	Spring-Extension
10	323-7	1	Screw-HH	19	112-3973	1	Hook-Return, Spring
11	3219-6	3	Nut-Hex	20	117-7268	3	Shaft-Spindle
12	110-6865	3	Pulley				

Attachments and Accessories

For 74632 TimeCutter SS 5060 Riding Mower

Product Name	Model/Part
Deck Ring Kit	114-1608
Hourmeter Kit, 2011 and After TimeCutter Riding Mower	120-5498
Striping Kit, 42in and 50in Mowers	120-7905
Sunshade Kit, 2011 and After Zero-Turn-Radius Riding Mower	79011
Hitch Kit	79014
Replacement Blade Kit, 2007 and After TimeCutter Riding Mower with 50in Mower	79016
50in Recycler Kit, 2007 and After Riding Mower	79019
Storage Cover	79317
50in Bagger, 2011 and After TimeCutter 5000 Series Riding Mower	79335
10 cu. ft. Poly Dump Cart	79991

Notes:

Notes:

Notes:



Count on it.