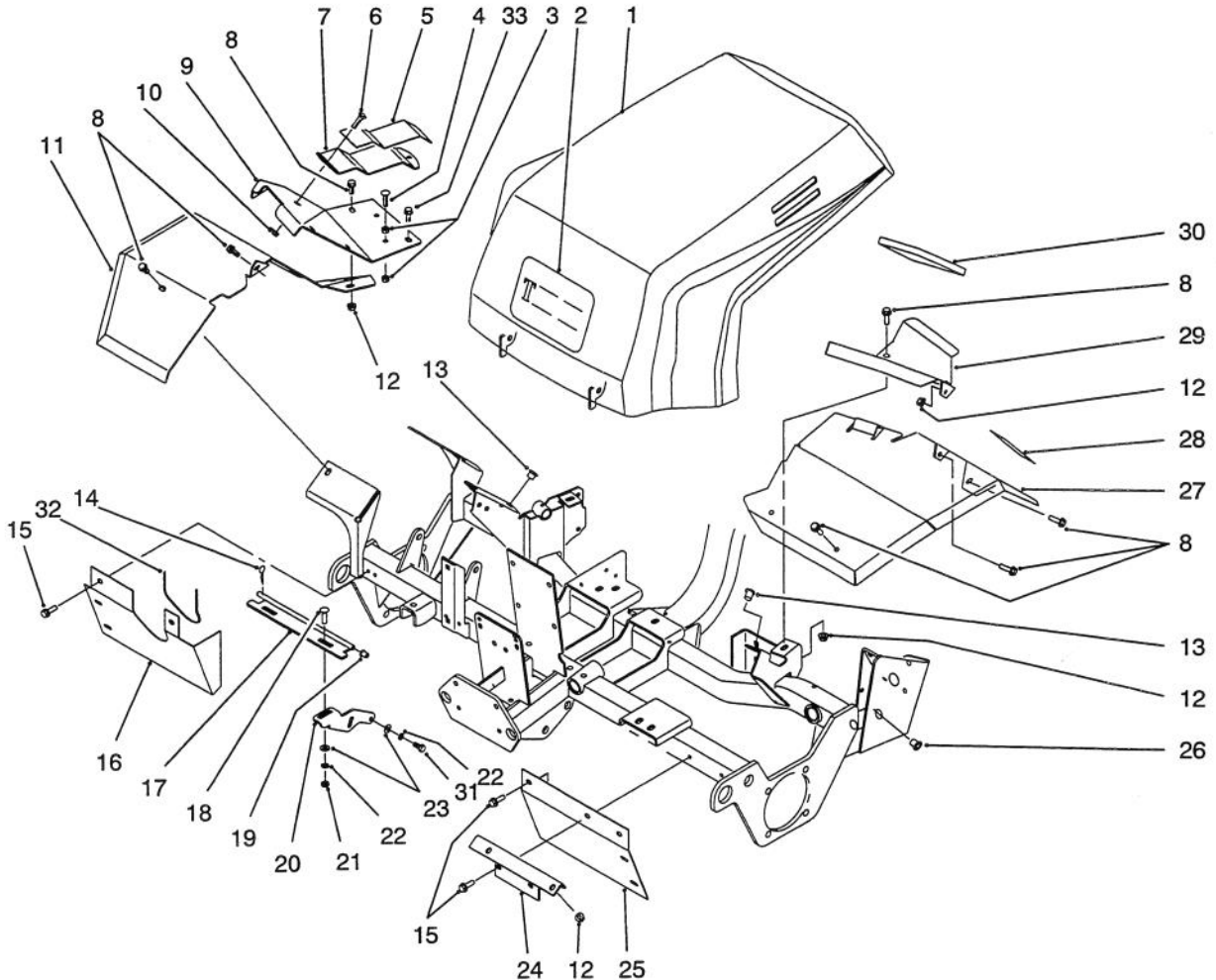




MODEL NO. 03426-50001 & UP

PARTS
CATALOG

**REELMASTER® 2300D 3wd
TRACTION UNIT**



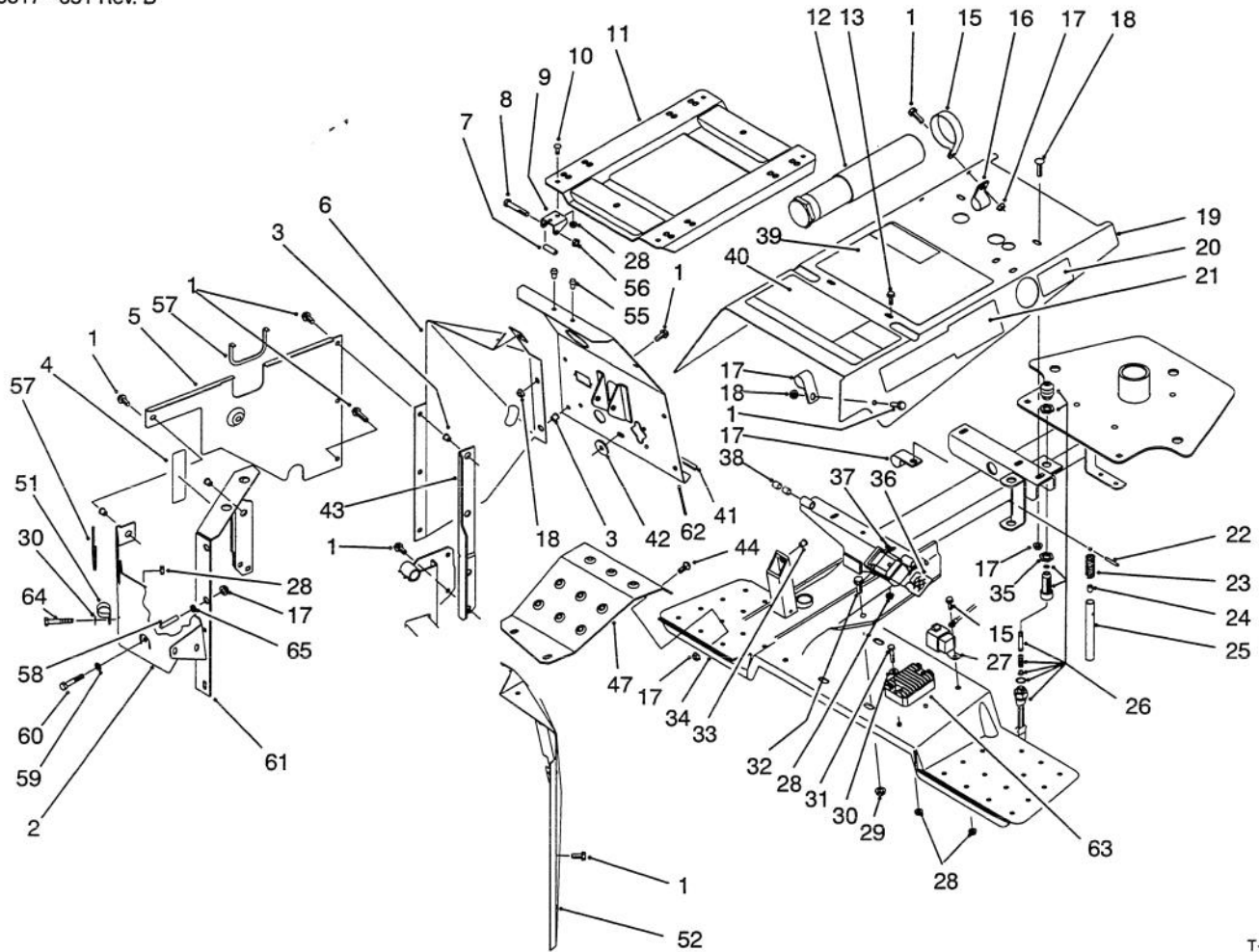
T-2150

HOOD & GRILLE ASSEMBLY

Ref. No.	Part No.	Description	No. Used
1	94-3622	Hood Assembly (Incl. Ref. #2)	1
2	62-7400	Decal-Toro	1
3	32128-20	Nut-Lock, Fl, Whz	2
4	3230-27	Screw-Carriage	1
5	76-2260	Pad-Foorest	1
6	3229-1	Bolt-Carriage	2
7	76-2200	Footrest-Traction Pedal	1
8	3234-5	Screw-Flg	13
9	93-6779	Footrest-RH	1
10	32128-33	Nut-Lock Flg	2
11	93-6778	Fender-Right	1
12	32128-44	Nut-Flange, Lrg	12
13	32148-7	Nut-Clinch	3
14	3290-467	Pin-Cotter, Hair	1
15	32104-82	Screw-HWH	5
16	93-6858	Shield-Front RH	1

Ref. No.	Part No.	Description	No. Used
17	93-6780	Hinge-W.A.	1
18	3230-23	Screw-Carriage	2
19	256-320	Bushing	2
20	93-6742	Brkt-Hood Pivot	2
21	3217-6	Nut-Hex,	2
22	3253-4	Washer-Spring Lock	6
23	3256-23	Washer-Flat	6
24	83-8510	Bracket-Left Fender	1
25	83-9800	Shield-Front Grass LH	1
26	32148-8	Nut-Clinch	1
27	93-6776	Fender-LH	1
28	84-1650	Decal-Brake	1
29	83-9710	Footrest-LH	1
30	83-9840	Pad-Foot	1
31	322-3	Screw-HH	4
32	93-6927	Trim	1
33	3234-17	Screw-Cap Hex. Hd.	1

*Not Illustrated

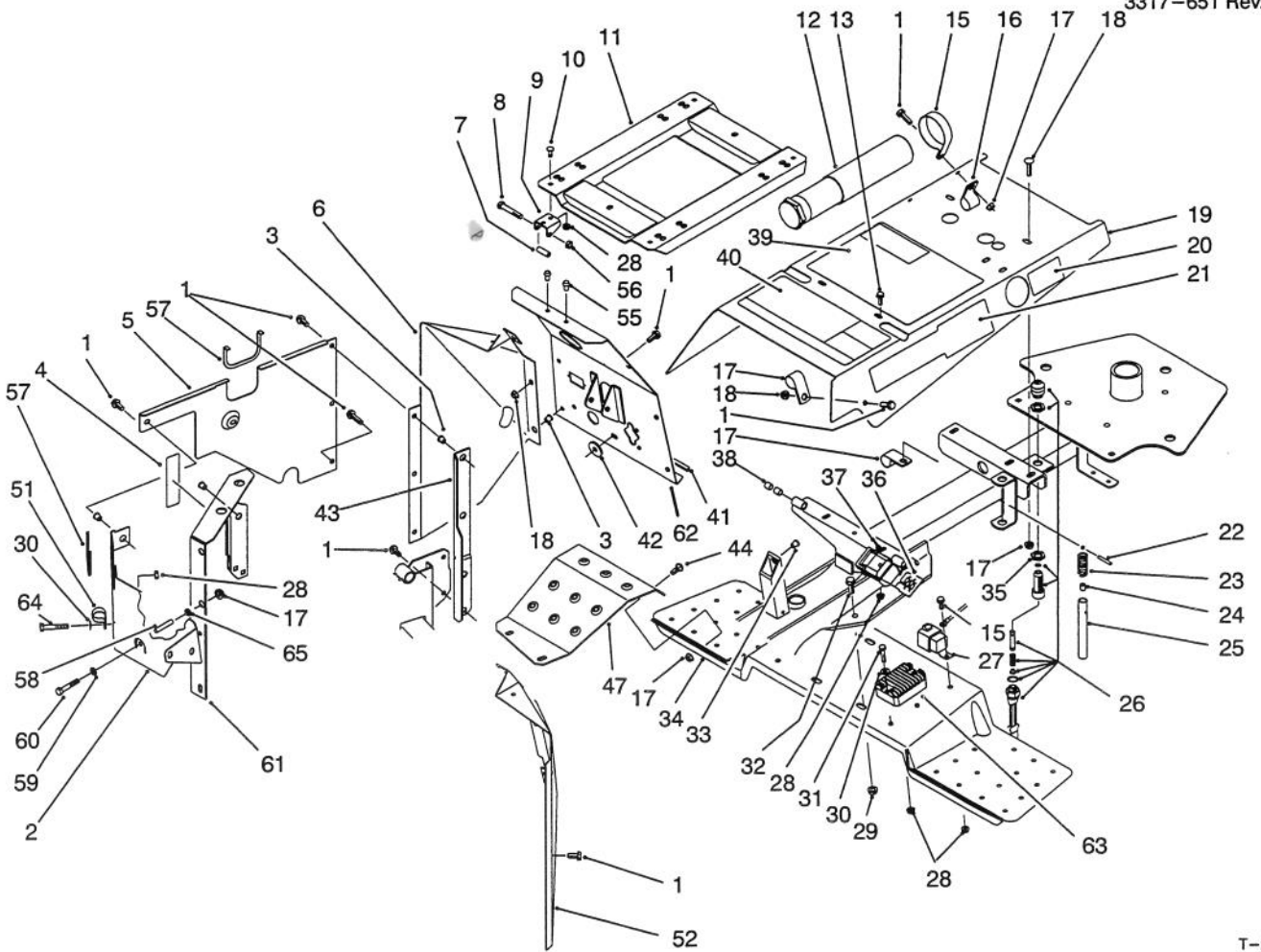


T-2151

SKIRT ASSEMBLY

Ref. No.	Part No.	Description	No. Used
1	3234-5	Screw-Flg	18
2	93-6847	Panel-Left Front	1
3	32148-7	Nut-Clinch	6
4	67-5360	Decal-Danger	1
5	93-6846	Panel-Right Front	1
6	83-8120	Panel-Right Rear	1
7	85-5340	Tube-Seat Pivot	2
8	321-11	Screw-HH	2
9	85-5230	Bracket-Seat Pivot	2
10	3229-22	Screw-Carriage	2
11	85-5330	Seat Plate WA	1
12	74-0720	Tube-Manual	1
13	3234-4	Screw-HH Whiz	3
15	2412-133	Clamp-R	2
16	2412-39	Clamp-R	3
17	32128-44	Nut-Flange,Lrg .312-18	11
18	3230-2	Bolt-Carriage	2
19	94-3632	Skirt Assembly (Incl. Ref. #20, 21, 39 & 40)	1
20	92-3179	Decal-Control	1
21	93-6761	Decal-Reelmaster 2300D	2
22	32121-6	Pin-Roll	1
23	37-9590	Spring-Compression	1
24	28-6180	Pin-Plastic	1
25	27-9870	Pin-Seat Switch	1
26	43-9071	Limit Switch Asm	1

Ref. No.	Part No.	Description	No. Used
27	70-1480	Relay	1
28	32128-33	Nut-Lock Flg	6
29	32128-43	Nut-Whiz Flg	4
30	3256-22	Washer-Flt	3
31	321-8	Screw-HH	2
32	3234-11	Screw-Flange	4
33	32148-8	Nut-Clinch	1
34	93-6868	Footstep WA	1
35	218-461	Nut-HH	1
36	92-3188	Diode-Circuit Board	1
37	3290-379	Tie-Cable	1
38	256-321	Bushing	4
39	93-6903	Decal-Service Info	1
40	83-9550	Decal-Warning	1
41	76-6471	Trim	1
42	62-7170	Spacer	1
43	94-3694	Angle-Right	1
44	3230-1	Bolt-Carriage	1
47	93-6938	Panel-Foot	1
51	2412-106	Clamp-R	1
52	93-6732	Panel-Left Rear	1
55	237-37	Bumper-Rubber	2
56	3296-42	Nut-Hex Lock	2
57	93-6924	Trim	2
58	93-6908	Spacer-Split	1
59	3256-23	Washer-Flt	1



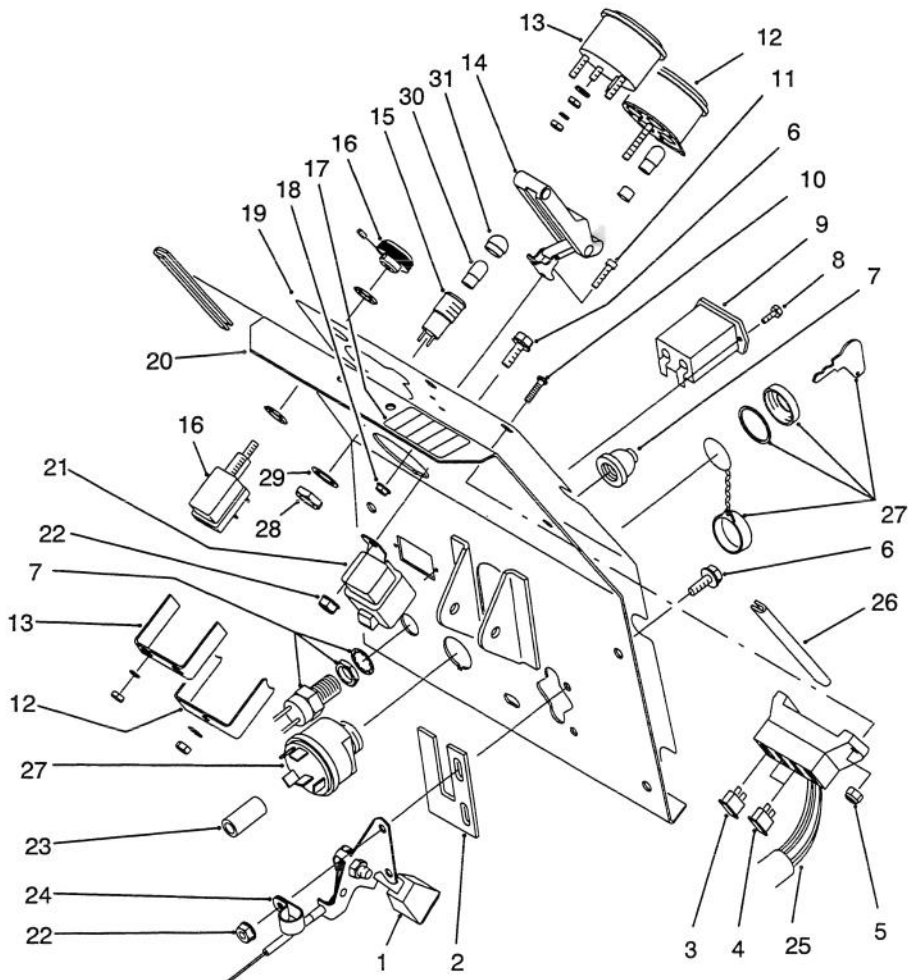
T-2151

SKIRT ASSEMBLY (Continued)

Ref. No.	Part No.	Description	No. Used
60	322-23	Screw-Cap Hex. Hd.	1
61	94-3633	U-Bracket Support Assy. (Incl. Ref. #4)	1
62	94-3691	Panel-Instrument	1

Ref. No.	Part No.	Description	No. Used
†63		Regulator	1
64	321-3	Screw-Cap Hex. Hd.	1
65	87-8640	Washer-Flat	1

†Obtain from your Local Perkins Dealer



T-2155

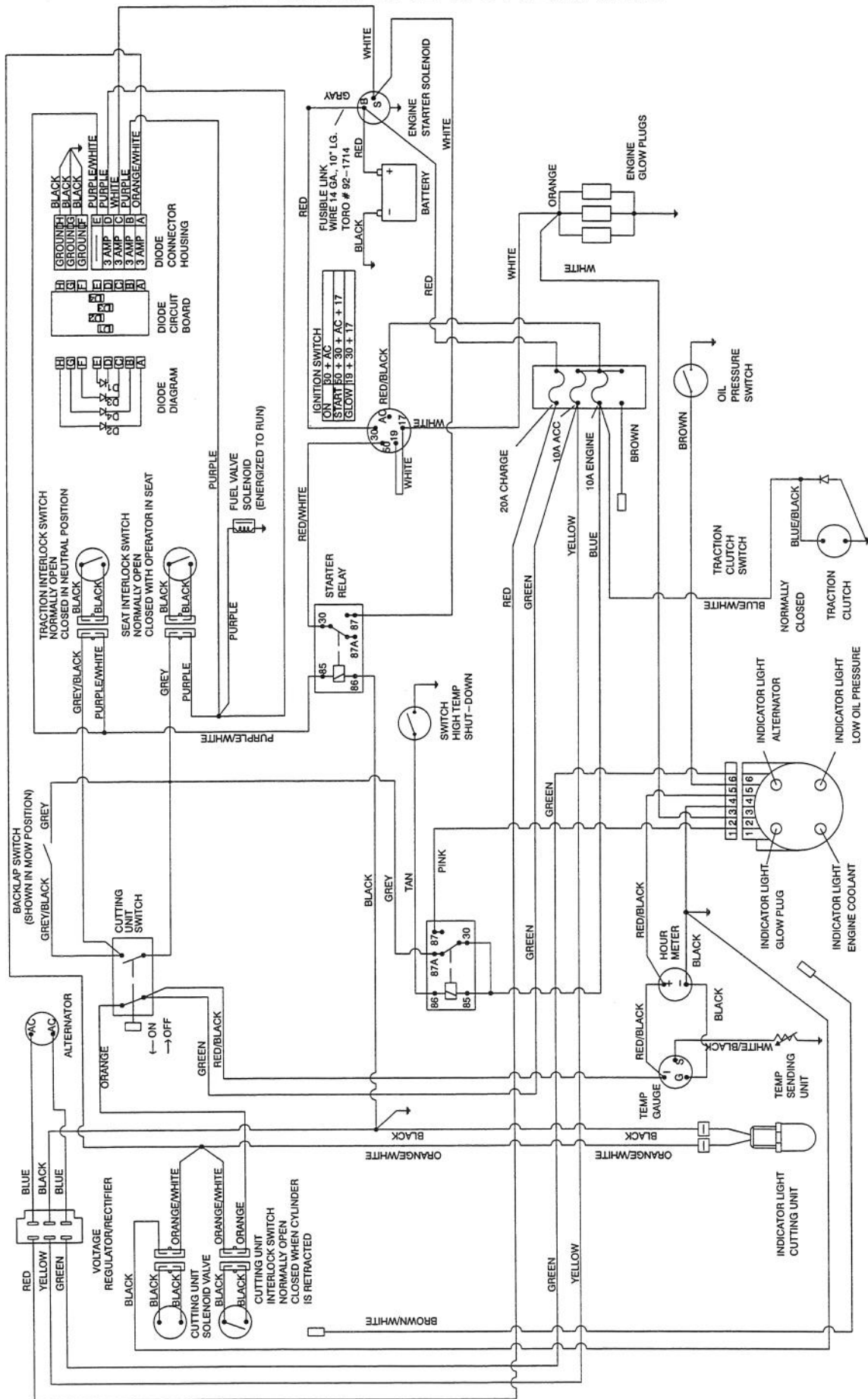
INSTRUMENT PANEL ASSEMBLY

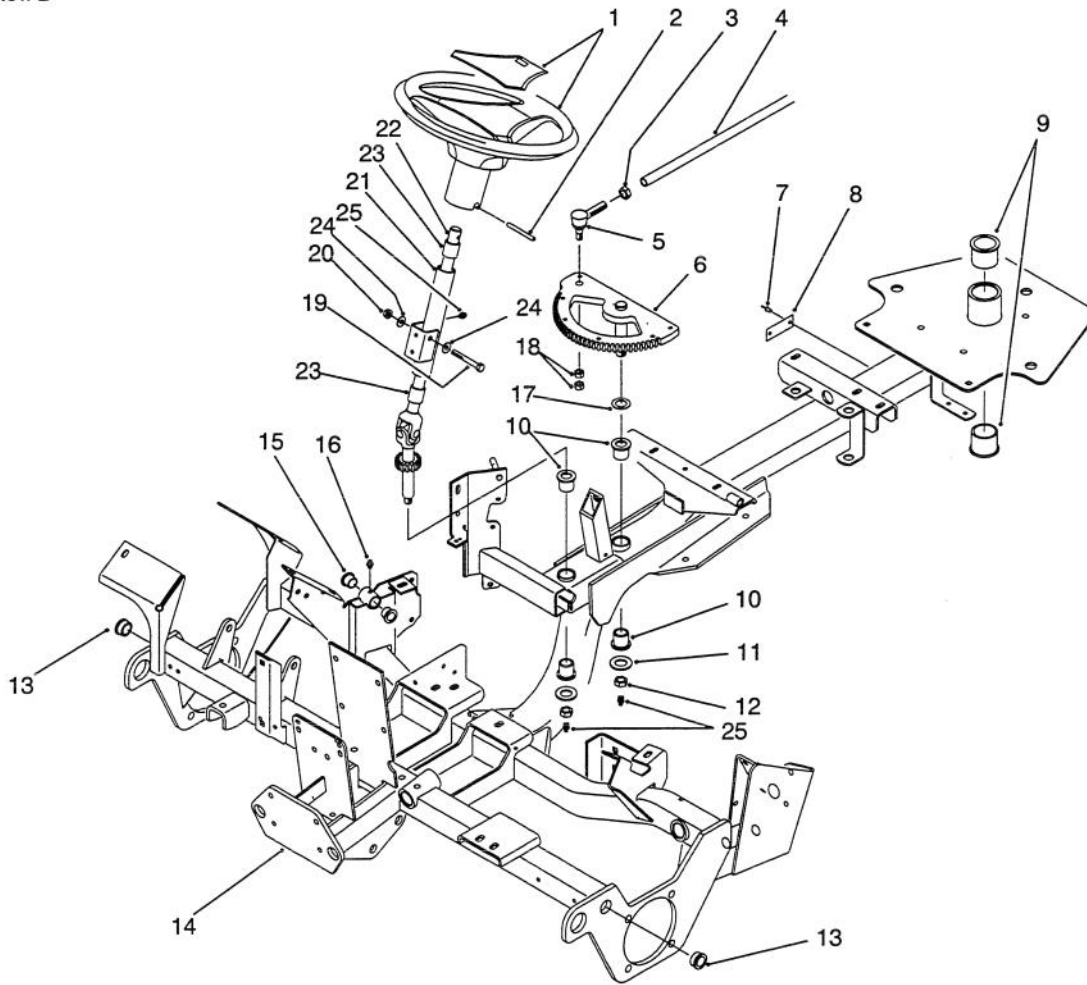
Ref. No.	Part No.	Description	No. Used
1	93-6816	Control-Throttle	1
2	93-6743	Stop-Throttle	1
3	218-594	Fuse-20 Amp	1
4	218-578	Fuse-10 Amp	2
5	3296-2	Nut-Lock	2
6	3234-4	Screw-HH	3
7	93-6762	Switch-Push Button	1
8	32144-18	Screw-HWH	2
9	75-6820	Hour Meter	1
10	3250-13	Screw-Pan Hd	2
11	3274-90	Scr-Hex Sckt	2
12	92-9775	Warning Light Cluster	1
13	93-4411	Gauge-Temperature	1
14	80-6980	Soft Latch Asm	1
15	44-2212	Indicator Light Assembly (Incl. Ref. #28-31)	1
16	92-3194	Switch-Push/Pull	1

Ref. No.	Part No.	Description	No. Used
17	93-6902	Decal-Fuse Block	1
18	32149-9	Nut-Fig	2
19	94-4985	Decal-Instrument Panel	1
20	94-3691	Instrument Panel WA	1
21	70-1480	Relay	1
22	32128-33	Nut-Lock Fig	3
23	80-7345	Hose	1
24	2412-39	Clamp-R	1
25	94-3692	Wire Harness Assembly (Incl. Ref. #3 & 4)	1
26	93-6941	Trim	2
†27		Ignition Switch Assembly	1
28		Nut-Hex	1
29		Washer-Flat	1
30	219-18	Bulb-Licht	1
31	218-562	Lens-Light	1

†Obtain from your local Perkins Dealer.

ELECTRICAL SCHEMATIC



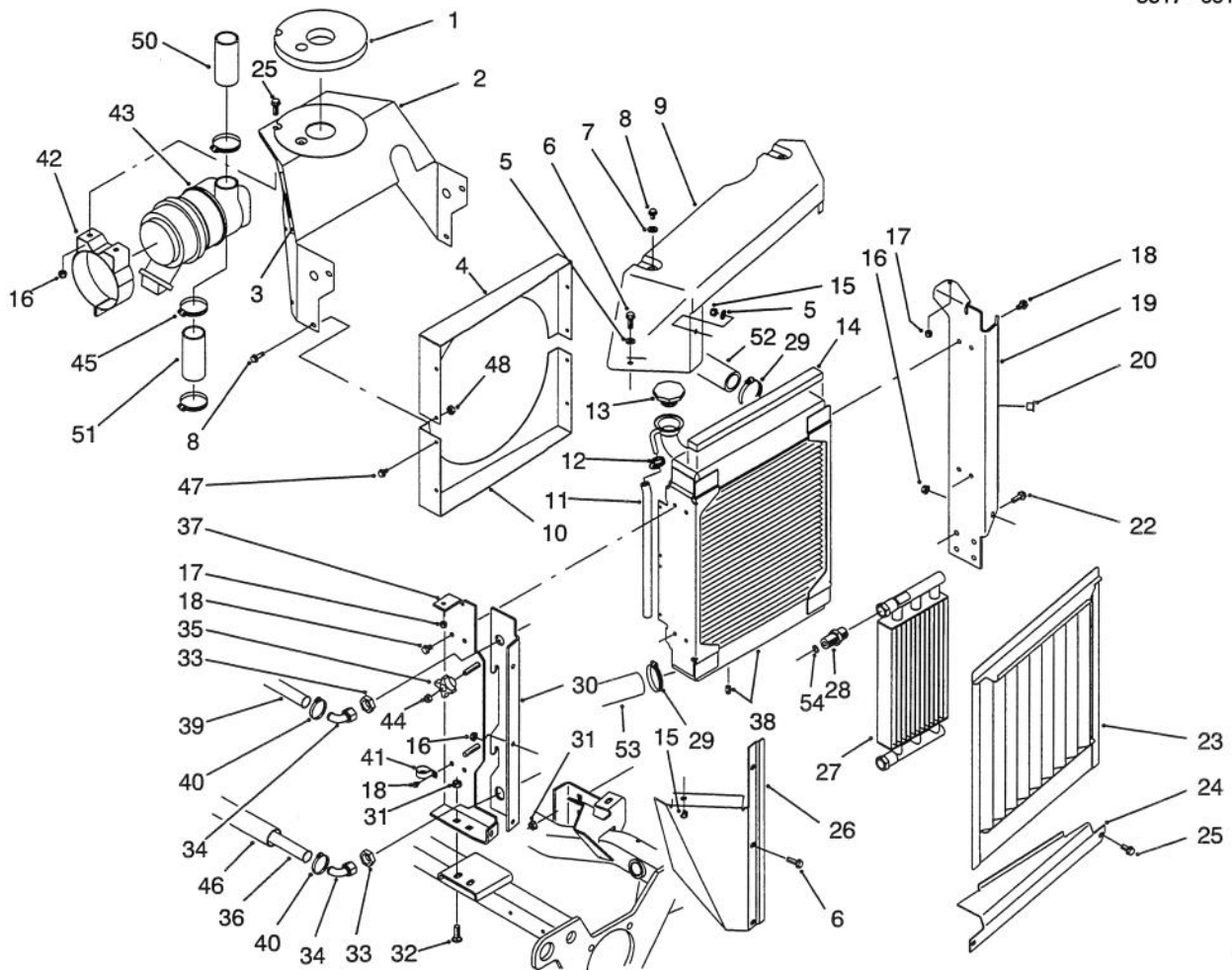


T-2153

FRAME ASSEMBLY

Ref. No.	Part No.	Description	No. Used
1	88-3850	Steering Wheel Asm	1
2	32121-10	Pin-Roll	1
3	3220-5	Nut-Hex Jam	1
4	61-2070	Tube-Steering	1
5	21-0150	Socket Assy-LH	1
6	93-6768	Gear WA-Sector	1
7	3290-55	Rivet-Pop	2
8		Plate-Serial Number	1
9	256-245	Bushing	2
10	92-3162	Bushing-Flg	4
11	3256-27	Washer-Fit	2
12	3296-33	Nut-Lock Nylon	2
13	256-247	Bushing-Flg	2

Ref. No.	Part No.	Description	No. Used
14	93-6702	Frame WA	1
15	75-2160	Bushing-Flg	2
16	302-60	Fitting-Lube	1
17	3-6498	Washer-Thrust	A/R
18	3220-3	Nut-HJ	2
19	322-12	Screw HH	1
20	3296-29	Nut-Hex Lock	1
21	93-6769	Steering Column WA	1
22	93-6766	Steering Shaft & Pinion	1
23	256-27	Bushing	2
24	87-8640	Washer-Flat, Hardened	2
25	302-5	Fitting-Grease	3

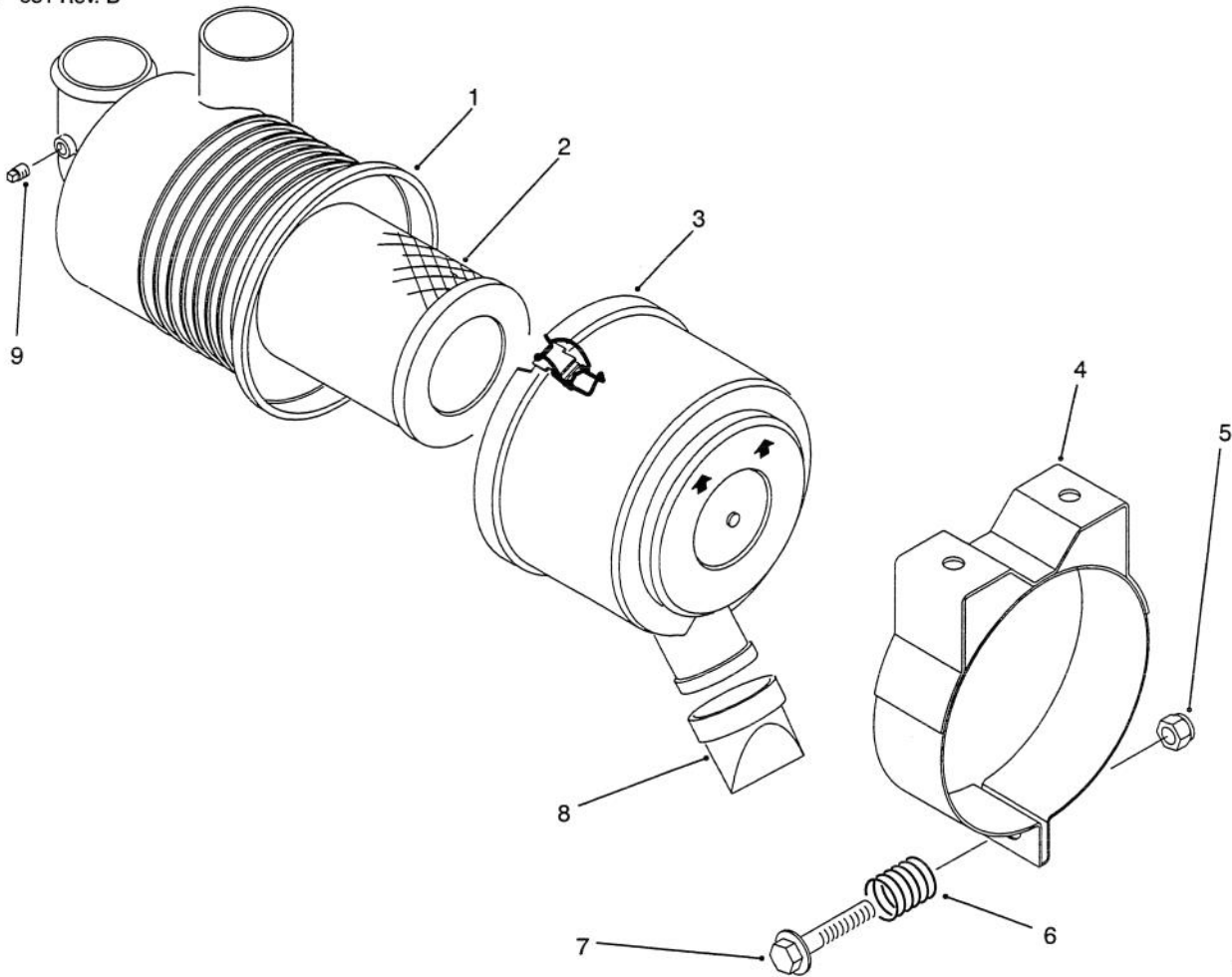


T-2157

RADIATOR ASSEMBLY

Ref. No.	Part No.	Description	No. Used
1	93-6877	Foam-Seal	1
2	94-3634	Air Cleaner Housing Assy. (Incl. Ref. #3)	1
3	77-3100	Decal-Caution	1
4	93-6731	Shroud-Radiator Top	1
5	3256-23	Washer-Flt	2
6	3234-17	Screw-HH	4
7	3256-22	Washer-Flt	2
8	3234-4	Screw-HH	4
9	83-8040	Cover-Left	1
10	93-6730	Shroud-Radiator Bottom	1
11	71-3382	Hose	1
12	2412-108	Clamp-Hose	1
13	66-3240	Cap-Radiator	1
14	83-9030	Foam-Top	1
15	3296-29	Nut-Hex Lock	2
16	32128-44	Nut-Flange	6
17	3296-42	Nut-Hex Lock	2
18	3234-28	Screw-HH	8
19	83-7980	Bracket-Radiator Rear	1
20	32148-8	Nut-Clinch	3
22	323-6	Screw-HH	4
23	83-8150	Screen Asm	1
24	83-8070	Shield-Radiator Bottom	1
25	3234-5	Screw-Flg	4
26	83-8210	Panel-Left Front	1
27	93-6932	Exchanger-Heat	1

Ref. No.	Part No.	Description	No. Used
28	83-7970	Fitting-Hydraulic (Incl. Ref. #54)	2
29	2412-34	Clamp-Hose	2
30	88-6730	Bracket-Screen Front	1
31	32128-43	Nut-Whiz Flg	6
32	3231-22	Bolt-Carriage	2
33	340-127	Nut-Bulkhead ORS	2
34	93-6803	Fitting-90 Deg	2
35	93-7159	Knob	2
36	93-6804	Hose	1
37	88-6720	Radiator Bracket WA	1
38	93-6726	Radiator Asm	1
39	93-6805	Hose	1
40	2412-36	Clamp-Hose	2
41	2412-41	Clamp-R	1
42	93-2191	Clamp Assembly	1
43	93-2190	Air Cleaner Asm	1
45	2412-92	Clamp-Hose	3
46	93-6933	Sleeve-Protective	1
47	32104-116	Screw-HFH	6
48	32128-33	Nut-Lock Flange	2
50	93-6876	Hose-Air Inlet Upper	1
51	93-6724	Hose-Air Inlet Lower	1
52	93-6728	Hose-Radiator Upper	1
53	93-6729	Hose-Radiator Lower	1
54	237-30	Seal-O-Ring	2



T-2201

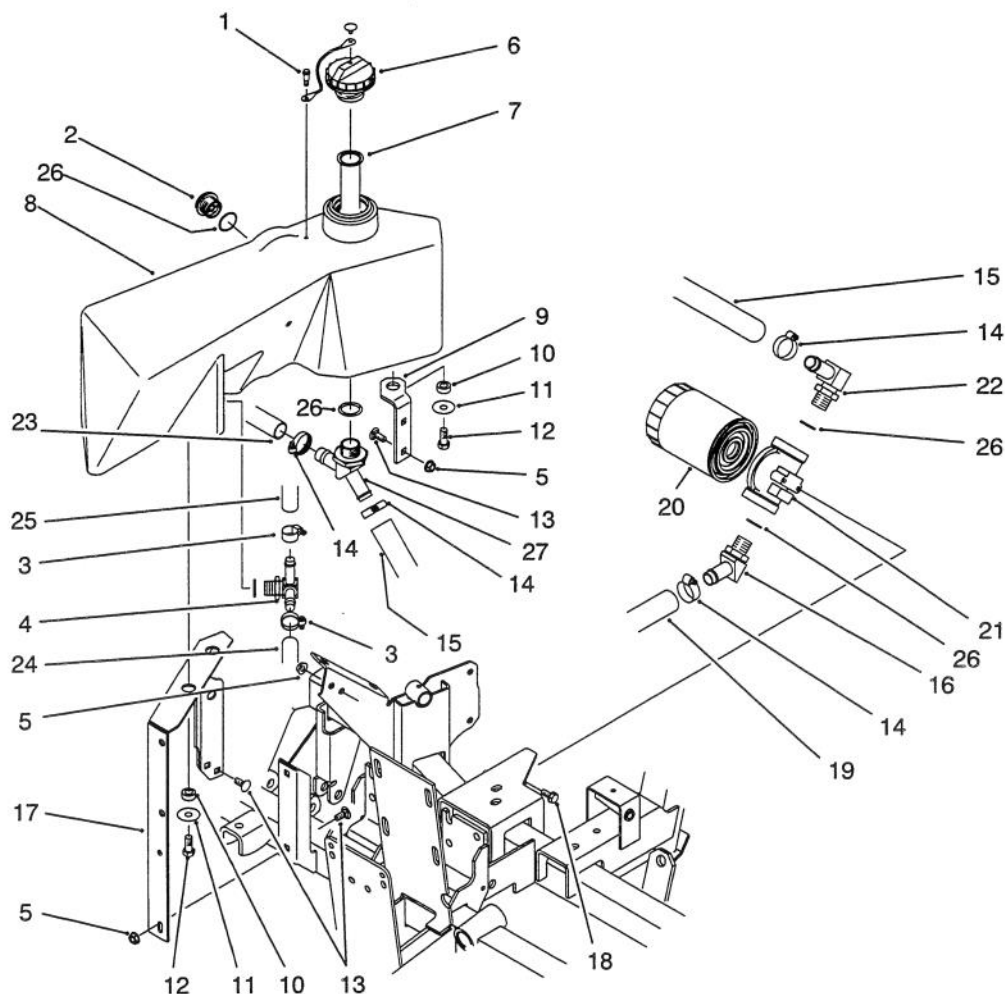
AIR CLEANER ASSEMBLY NO. 93-2190

Ref. No.	Part No.	Description	No. Used
†1		Body—Air Cleaner	1
2	93-2195	Element—Air Cleaner	1
3	94-3652	Cover Assembly	1
4	93-2191	Clamp Assembly (Incl. Ref. #5-7)	1

Ref. No.	Part No.	Description	No. Used
5	48-9510	Nut—Lock	1
6	94-3654	Spring—Compression	1
7	94-3653	Bolt	1
8	87-9400	Valve	1
9	285-17	Plug	1

*Not Illustrated

†Not Serviced Separately

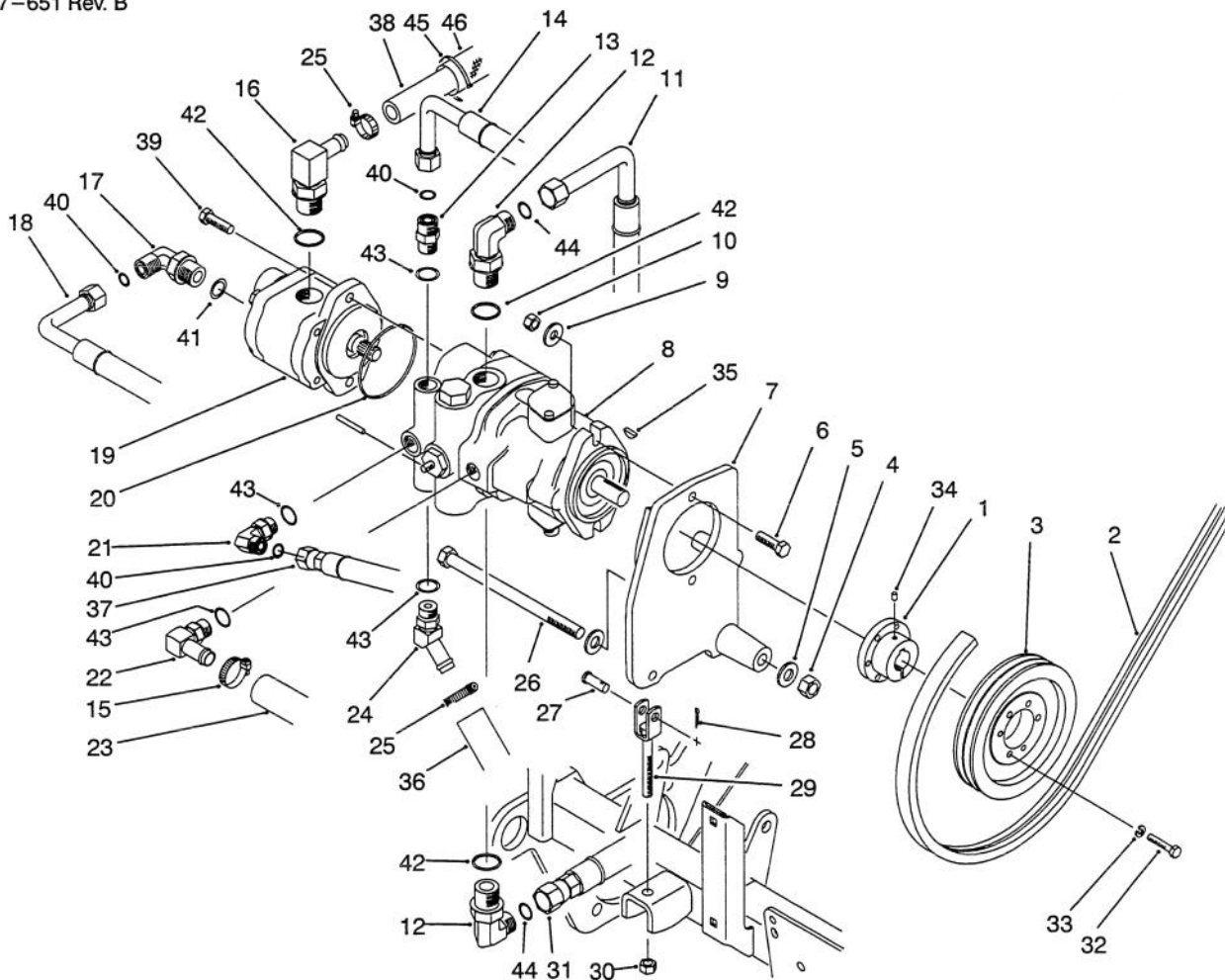


T-2159

HYDRAULIC RESERVOIR & FILTER ASSEMBLY

Ref. No.	Part No.	Description	No. Used
1	57-5420	Screw-Shoulder	1
2	69-1170	Glass-Sight (Incl. Ref. #26)	1
3	2414-36	Clamp-Hose	2
4	93-6793	Ftg-Barb	1
5	32128-44	Nut-Flange	6
6	93-7160	Oil Cap Assembly	1
7	61-2790	Filler-Screen	1
8	93-6811	Tank-Hydraulic	1
9	83-9920	Bracket-Hydraulic Tank	1
10	240-11	Grommet	3
11	63-8410	Washer-Flat	3
12	323-5	Screw-HH	3
13	3230-23	Screw-Carriage	6
14	2412-34	Clamp-Hose	4
15	83-9651	Hose-Hydraulic	1

Ref. No.	Part No.	Description	No. Used
16	354-127	Fitting-45° (Incl. Ref. #26)	1
17	94-3633	U-Bracket Support	1
18	3234-4	Screw-HH	2
19	93-6799	Hose-Hydraulic	1
20	54-0110	Element-Oil Filter	1
21	68-8990	Head-Oil Filter	1
22	353-987	Fitting-90° (Incl. Ref. #26)	1
23	93-6857	Hose-Hydraulic	1
24	93-6804	Hose-Hydraulic	1
25	93-6806	Hose-Hydraulic	1
26	237-81	Seal-O-Ring	4
27	93-6794	Fitting-Special (Incl. Ref. #26)	1



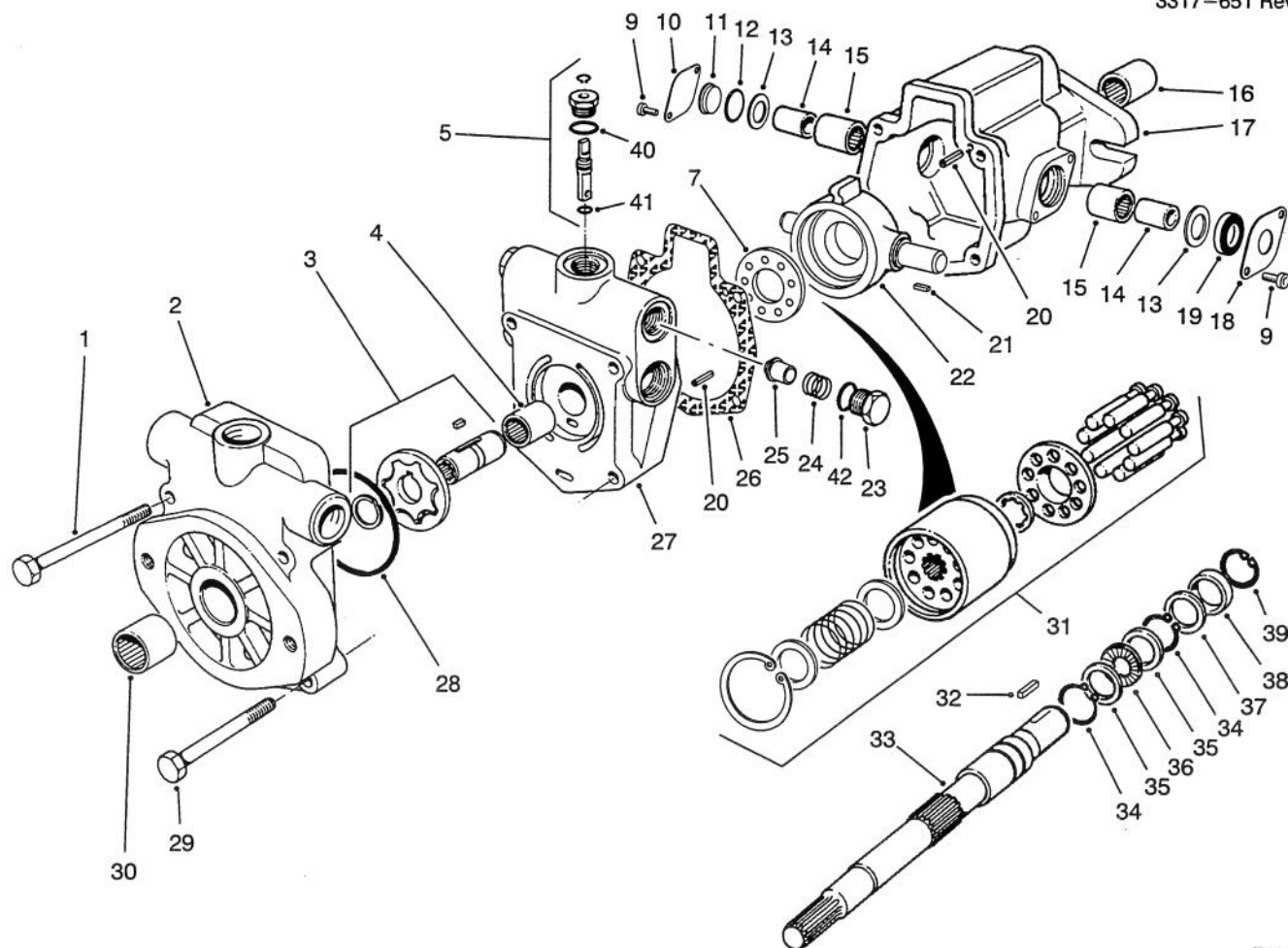
T-2160

HYDRAULIC PUMP INSTALLATION ASSEMBLY

Ref. No.	Part No.	Description	No. Used
1	93-6842	Taper Lock Bushing Assy. (Incl. Ref. #32-34)	1
2	93-6840	Belt-Pump Drive	1
3	93-6841	Pulley	1
4	3296-23	Nut-Hex Lock	1
5	87-7270	Washer-Hardened	2
6	323-9	Screw-HH	2
7	93-6737	Pump Mount Mach	1
8	93-6751	Pump Assembly (Incl. Ref. #35)	1
9	80-6990	Washer-Hardened	2
10	3296-39	Nut-Hex Lock	2
11	93-6829	Hose Assy	1
12	340-139	90 Degree Elbow (Incl. Ref. #42 & 44)	2
13	340-4	Fitting-ORS (Incl. Ref. #40 & 43)	1
14	93-6797	Hose Asm	1
15	2412-36	Clamp-Hose	1
16	353-987	Fitting-90° (Incl. Ref. #42)	1
17	340-105	Elbow (Incl. Ref. #40-41)	1
18	93-6800	Hose-Hyd	1
19	93-6974	Pump-Reel Drive	1
20	353-949	O-Ring	1
21	340-98	Fitting (Incl. Ref. #40 & 43)	1

Ref. No.	Part No.	Description	No. Used
22	93-6795	Fitting-90° (Incl. Ref. #43)	1
23	93-6806	Hose	1
24	93-6848	Fitting-Barb 45° (Incl. Ref. #43)	1
25	2412-34	Clamp-Hose	2
26	325-36	Screw-HH	1
27	283-2	Pin-Clevis	1
28	3272-6	Pin-Cotter	1
29	93-6845	Yoke-Belt Adjust	1
30	3296-6	Nut-Lock	1
31	93-6828	Hose Assy	1
32	321-13	Screw-Cap Hex. Hd.	3
33	3253-3	Washer-Lock	3
34	3245-36	Screw-Set	1
35	94-3645	Key	1
36	93-6799	Hose-Hydraulic	1
37	93-6798	Hose-Hydraulic	1
38	93-6857	Hose-Hydraulic	1
39	323-7	Screw-HH	2
40	237-30	Seal-O-Ring	3
41	237-80	Seal-O-Ring	1
42	237-81	Seal-O-Ring	3
43	237-79	Seal-O-Ring	4
44	237-65	Seal-O-Ring	2
45	3290-379	Tie - Cable	2
46	94-3688	Sleeve - Protective	1

*Not Illustrated



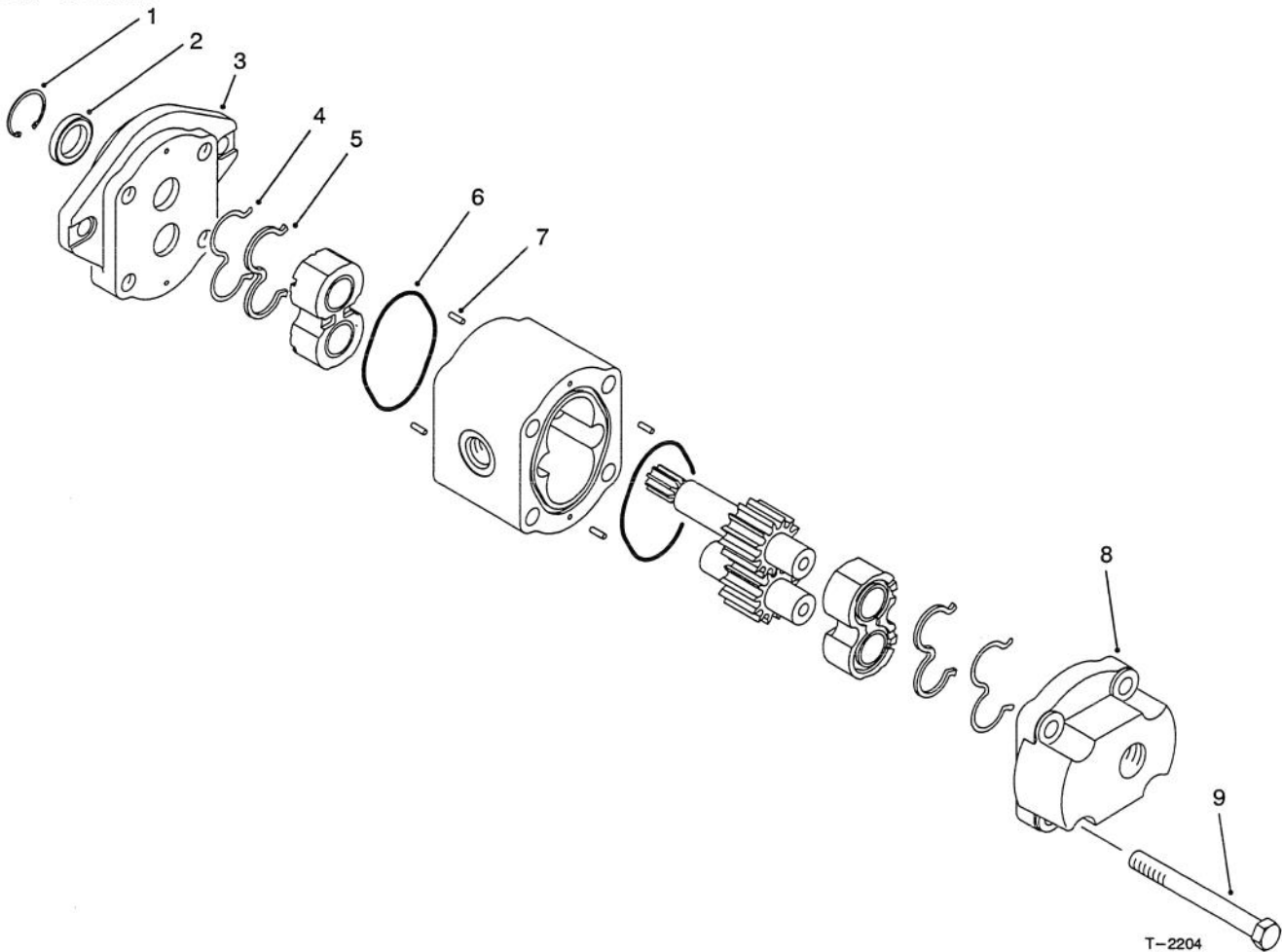
T-2198

HYDRAULIC PUMP ASSEMBLY NO. 93-6751

Ref. No.	Part No.	Description	No. Used
1	322-3	Screw-Cap Hex. Hd.	2
2	94-3647	Charge Pump Adaptor Assy. (Incl. Ref. #30)	1
3	94-3648	Gerotor Assembly	1
4		Bearing	1
5	94-3650	Valve Assembly	1
7	94-3649	Plate-Valve	1
9	60-6330	Screw-Pan Hd.	4
10	76-6090	Cover-Trunnion	1
11	76-6100	Cover-O-Ring	1
12	76-6140	Seal-O-Ring	1
13	76-6180	Washer	2
14	33-3750	Race-Inner	2
15	252-95	Bearing	2
16		Bearing	1
17	94-3641	Housing Assembly (Incl. Ref. #16)	1
18	76-6080	Cover-Seal	1
19	76-6190	Seal-Shaft	1
20	76-6150	Pin-Dowel	2
21	94-3646	Key	1
22	94-3643	Camplate	1
23	70-1240	Plug Assembly (Incl. Ref. #42)	2

Ref. No.	Part No.	Description	No. Used
24	76-6200	Spring	2
25	94-3644	Seat	2
26	33-4930	Gasket	1
27	94-3640	Backplate Assembly (Incl. Ref. #4 & 20)	1
28		Seal-O-Ring	1
29	322-20	Screw-Cap Hex. Hd.	2
30		Bearing	1
31	76-6070	Rotating Parts Kit	1
32	94-3645	Key	1
33	94-3642	Shaft-Drive	1
34	32151-29	Ring-Retaining	2
35	252-71	Race-Bearing	2
36	252-66	Bearing-Thrust	1
37	33-3270	Washer	1
38	42-2720	Seal-Shaft	1
39	32151-13	Ring-Retaining	1
40		Seal-O-Ring	1
41		Seal-O-Ring	1
42		Seal-O-Ring	2
*	94-3651	Seal Kit (Incl. Ref. #12, 19, 26, 28, 34, 38 & 39-42)	

*Not Illustrated

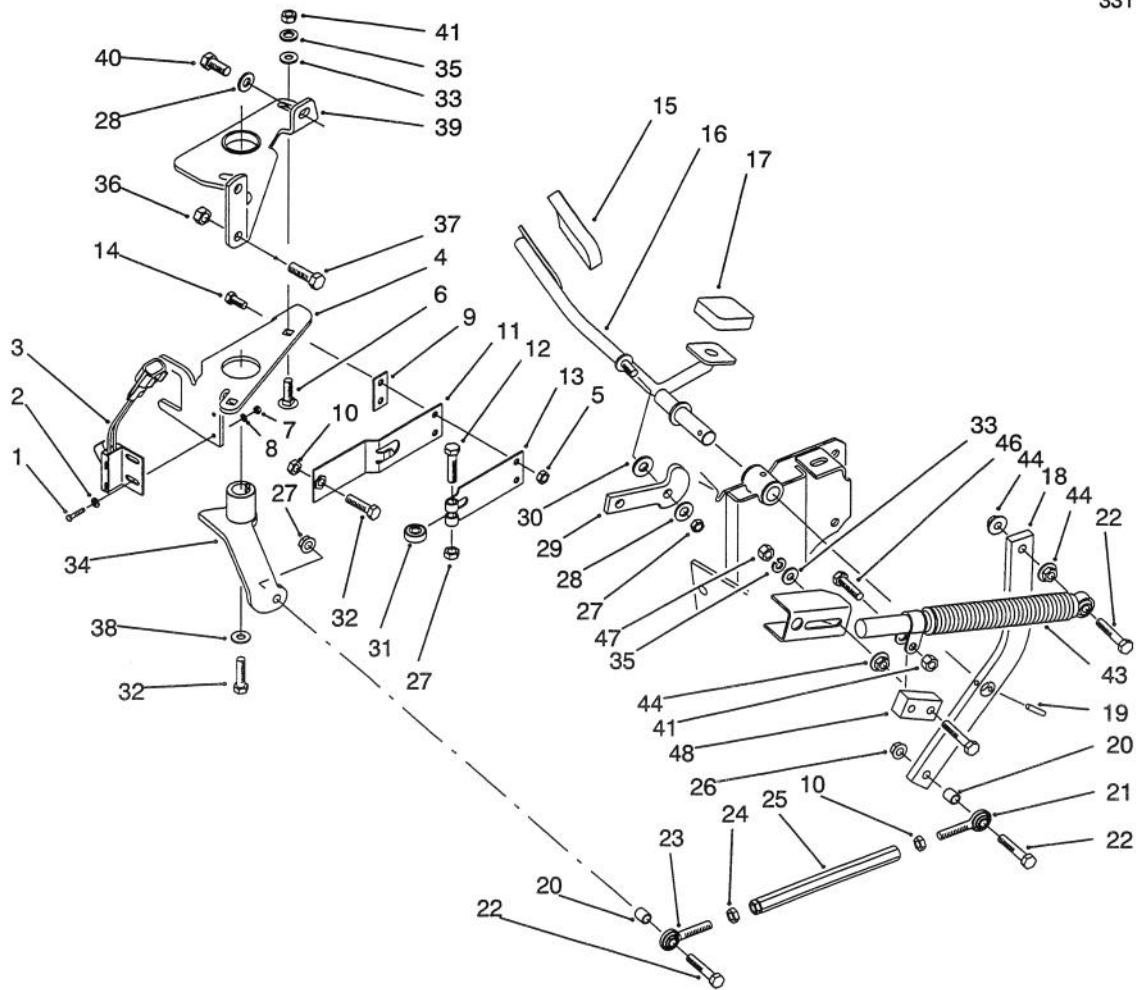


HYDRAULIC PUMP ASSEMBLY NO. 93-6974

Ref. No.	Part No.	Description	No. Used
1	94-3624	Ring-Retaining	1
2		Seal-Shaft	2
3		Flange Assembly (Incl. Ref. #1, 2 & 7)	1
4		Seal-E	2
5		Ring-Backup	2

Ref. No.	Part No.	Description	No. Used
6		Seal-O-Ring	2
7	94-3625	Pin-Dowel	4
8	94-3626	Cover-End	1
9	94-3639	Bolt	4
*	94-3623	Seal Kit (Incl. Ref. #1, 2 & 4-6)	1

*Not Illustrated

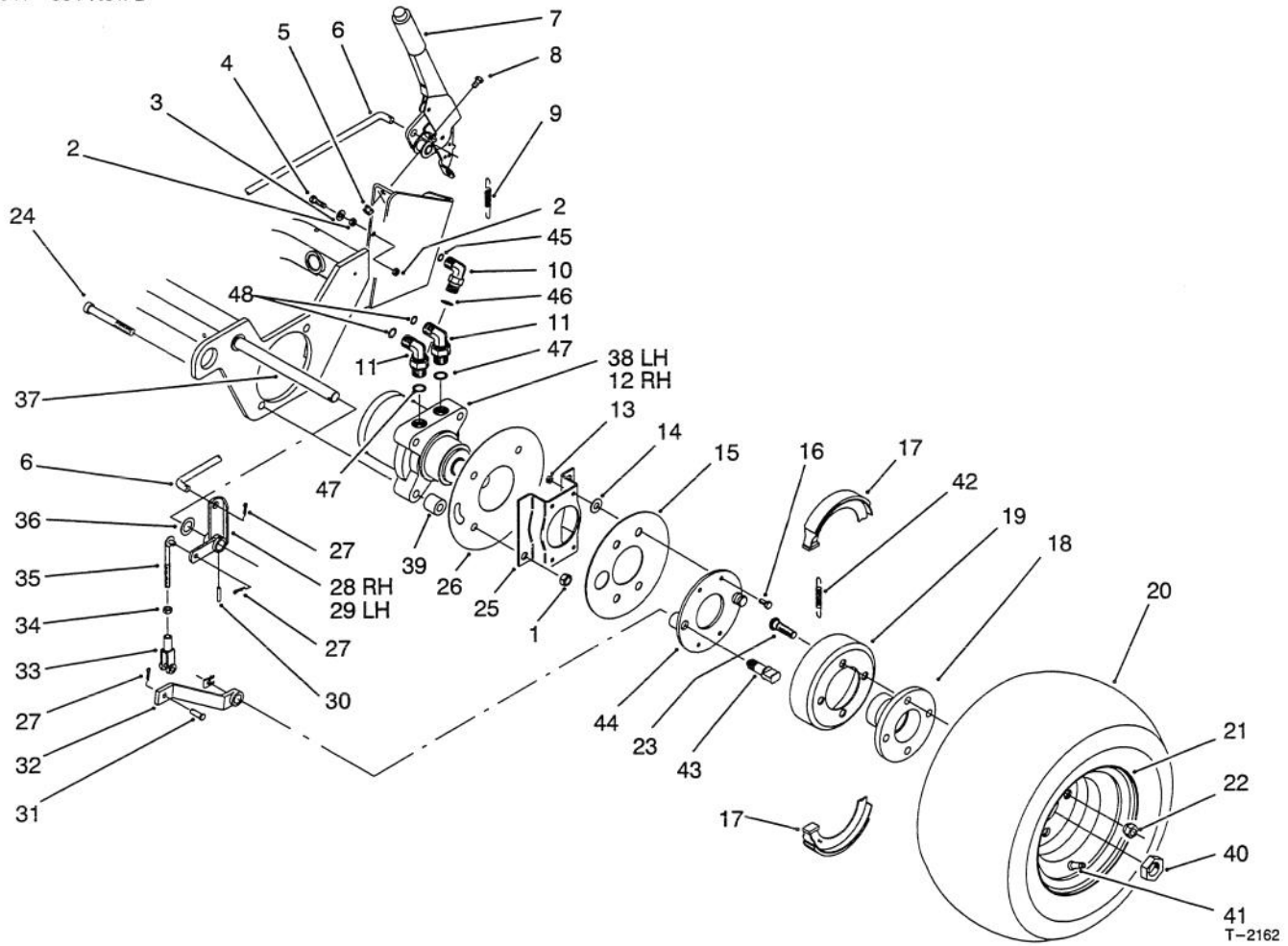


T-2161

TRACTION CONTROL ASSEMBLY

Ref. No.	Part No.	Description	No. Used	Ref. No.	Part No.	Description	No. Used
1	3249-3	Screw Rd Hd	2	24	3220-20	Nut-Jam	1
2	3256-53	Washer-Flt	2	25	83-8760	Rod-Pump Control	1
3	94-1754	Micro Switch	1	27	3296-59	Nut-Lock	1
4	93-6825	Plate-Pump	1	28	3256-24	Washer-Flat	2
5	3296-16	Nut-Lock	2	29	74-6110	Stop-Cam	1
6	3230-2	Screw-Carriage	2	30	66-2920	Washer-Nylon	1
7	3217-29	Nut-HH	2	31	251-259	Bearing-Ball	1
8	3254-9	Washer-Lock Int Tooth	2	32	3210-7	Screw-HH	2
9	51-3150	Shim-Spring Arm	1	33	3256-23	Washer-Flt	3
10	3220-2	Nut-Hex Jam	2	34	93-6824	Pump Lever Asm	1
11	29-6170	Extended Leaf Spring Asm	1	35	3253-4	Washer-Spring Lock	3
12	322-17	Screw-HH	1	36	3296-39	Nut-Hex Lock	2
13	29-6150	Spring-Leaf	1	37	323-7	Screw-HH	2
14	321-6	Screw-HH	2	38	87-8640	Washer-Flat Hardened	1
15	74-9100	Pad-Pedal Forward	1	39	93-6826	Mounting Bracket WA	1
16	83-8270	Pedal WA-Traction	1	40	323-5	Screw-HH	1
17	74-9110	Pad-Pedal Reverse	1	41	3296-29	Nut-Hex Lock	3
18	93-6936	Arm-Traction	1	43	76-8870	Dampner	1
19	32121-6	Pin-Roll	1	44	32128-44	Nut-Flange Lock	3
20	93-6859	Spacer	2	46	322-6	Screw-Cap Hex. Hd.	1
21	2411-52	Bearing-Rod End RH	1	47	3217-6	Nut-Hex.	1
22	322-9	Screw-HH	4	48	76-9760	Pivot-Damper	1
23	2411-53	Bearing-Rod End LH	1				

*Not Illustrated

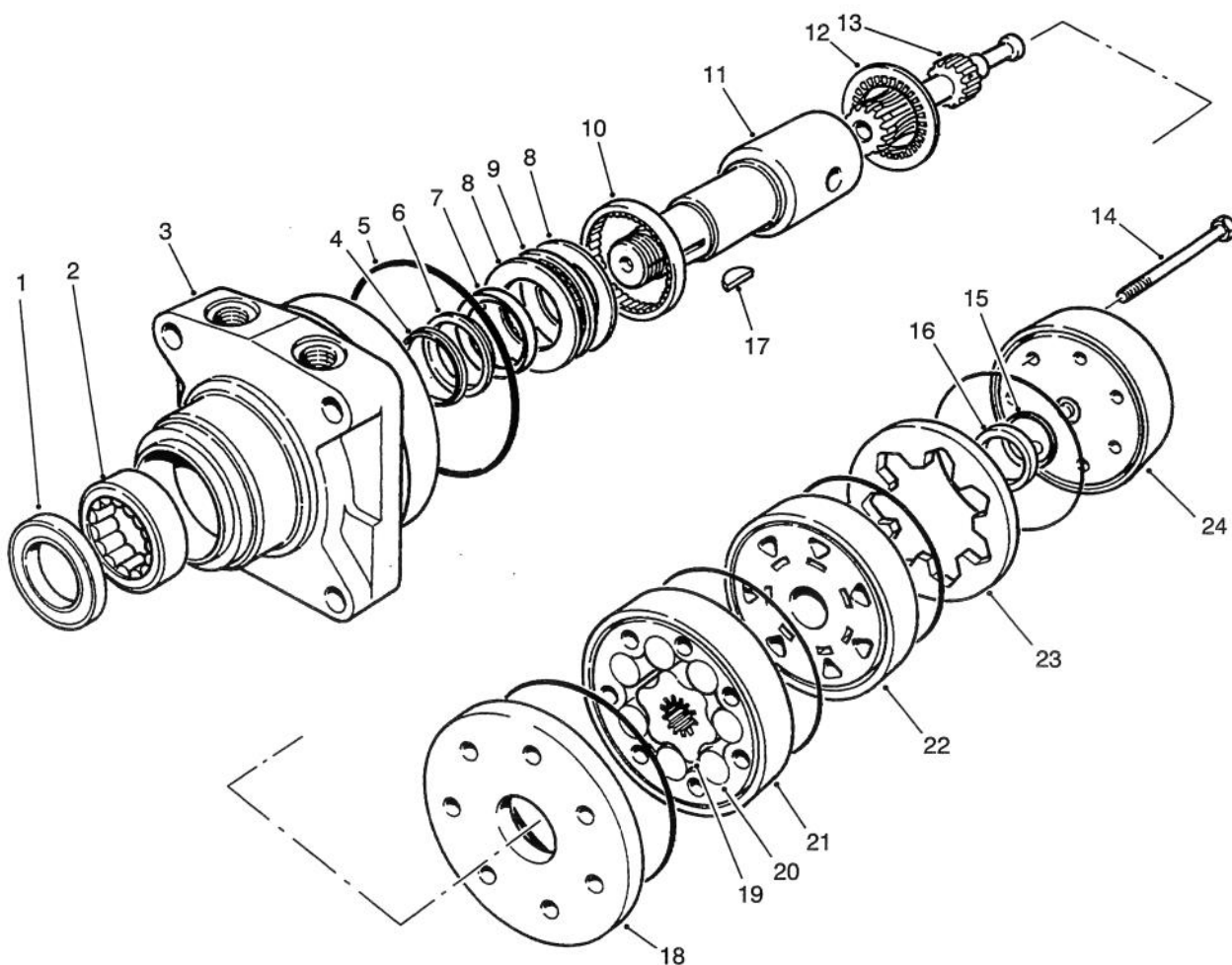


FRONT WHEEL ASSEMBLY

Ref. No.	Part No.	Description	No. Used
1	3296-23	Nut-Hex Lock	8
2	32128-20	Nut-Lock Fl Whz	2
3	3256-23	Washer-Flt	1
4	322-17	Screw-HH	1
5	32128-44	Nut-Flange	2
6	83-9350	Rod-Adjusting	1
7	61-3990	Parking Brake WA	1
8	3234-5	Screw-Flg	2
9	5-7290	Spring	1
10	340-77	Fitting (Incl. Ref. #45 & 46)	1
11	340-17	Elbow ORS (Incl. Ref. #47 & 48)	4
12	75-9990	Motor-Hydraulic RH	1
13	3296-42	Nut-Hex Lock	8
14	3256-16	Washer-Flat	8
15	83-9340	Shield-Grass Brake	2
16	321-5	Screw-HH	8
17	70-9840	Shoe-Brake	4
18	93-6838	Hub-Wheel	2
19	10-6850	Drum Brake	2
20	93-6879	Tire	2
21	93-6881	Rim	2
22	242-50	Nut-Lug	8
23	85-6540	Drive Type Stud	4
24	3274-99	Screw-Socket Hd.	8

Ref. No.	Part No.	Description	No. Used
25	84-2000	Bracket-Brake	2
26	93-6905	Shield-Wheel	2
27	3272-6	Pin-Cotter	5
28	83-9310	Brake Arm WA-RH	1
29	83-9270	Brake Arm WA-LH	1
30	32121-6	Pin-Roll	2
31	283-1	Pin-Clevis	2
32	93-6850	Brake Lever WA	2
33	282-2	Clevis	2
34	3220-2	Nut-Hex Jam	2
35	84-1990	Rod-Adjusting	2
36	3-6498	Washer-Thrust	2
37	83-9330	Shaft-Brake	1
38	93-6888	Motor-Hydraulic LH	1
39	92-1715	Spacer	8
40	26-3790	Nut-Lock	2
41	232-27	Stem-Valve	2
42	70-9880	Spring-Extension	4
43	70-9860	Pin-Pivot	2
44	70-9870	Plate-Brake	2
45	237-22	Seal-O-Ring	1
46	237-42	Seal-O-Ring	1
47	237-80	Seal-O-Ring	4
48	237-65	Seal-O-Ring	4
*	71-1500	Brake Assembly (Incl. Ref. #17 & 42-44)	2

*Not Illustrated

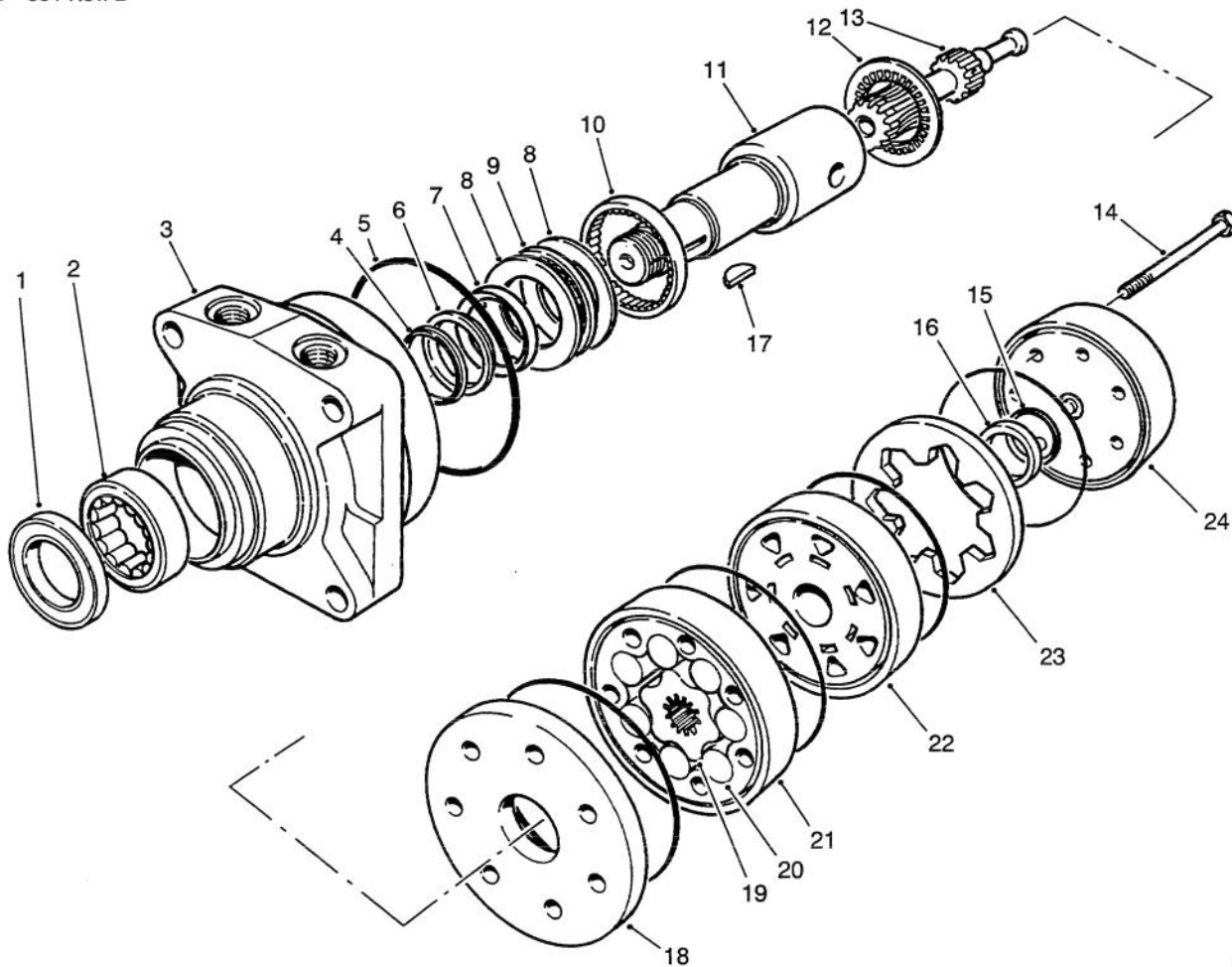


T-0987

HYDRAULIC DRIVE MOTOR NO. 75-9990

Ref. No.	Part No.	Description	No. Used
1		Seal-Dirt & Water	1
2		Bearing	1
3		Housing	1
4		Washer-Backup	1
5		Seal Rings	5
6		Washer-Backup	1
7		Seal-Inner	1
8		Washer-Thrust	2
9		Bearing-Thrust	1
10		Bearing	1
11	76-0860	Shaft-Coupling	1
12	76-0850	Bearing-Thrust	1
13	76-0960	Link-Drive	7
14	76-1010	Screw-Cap, Hex. Hd.	1
15		Seal-Commutator	1
16		Commutator	1
*Not Illustrated			

Ref. No.	Part No.	Description	No. Used
17	3257-42	Key-Woodruff	1
18	76-0870	Plate-Wear	1
19		Rotor	1
20		Vane	7
21		Stator	1
22	76-0840	Manifold	1
23		Ring-Commutator	1
24	76-0940	End Cover Assembly	1
*	76-0970	Rotor Set (Incl. Ref. #19-21)	1
*	76-0880	Commutator Assembly (Incl. Ref. #15, 16 & 23)	1
*	76-0800	Seal Kit (Incl. Ref. #1, 4-7 & 15)	1
*	76-0810	Housing Assembly (Incl. Ref. #2, 3 & 8-10)	1



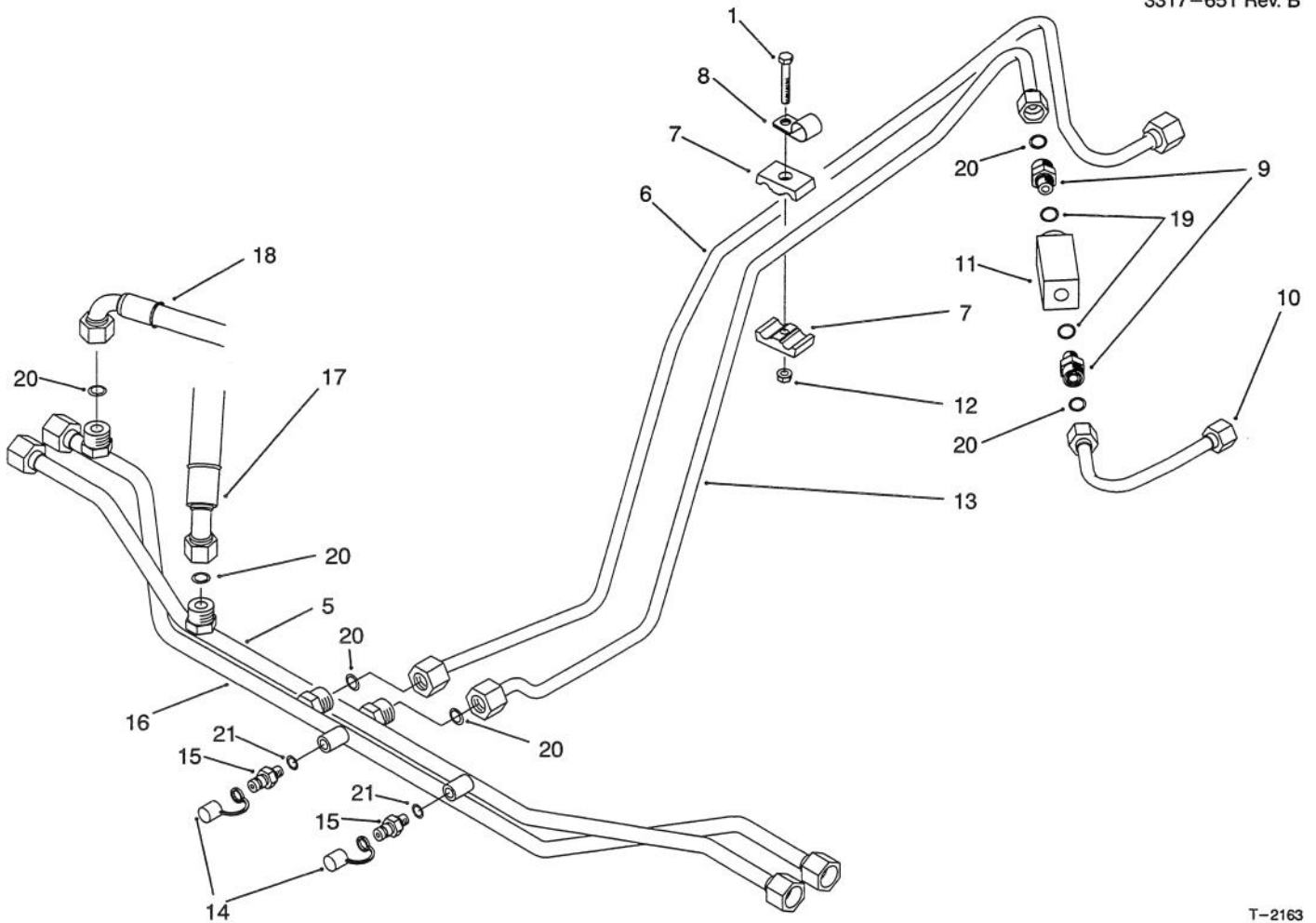
T-0987

HYDRAULIC DRIVE MOTOR NO. 93-6888

Ref. No.	Part No.	Description	No. Used
1		Seal-Dirt & Water	1
2		Bearing	1
3		Housing	1
4		Washer-Backup	1
5		Seal Rings	5
6		Washer-Backup	1
7		Seal-Inner	1
8		Washer-Thrust	2
9		Bearing-Thrust	1
10		Bearing	1
11	76-0860	Shaft-Coupling	1
12	76-0850	Bearing-Thrust	1
13	76-0960	Link-Drive	7
14	94-3662	Screw-Cap, Hex. Hd.	1
15		Seal-Commutator	1
16		Commutator	1

Ref. No.	Part No.	Description	No. Used
17	3257-42	Key-Woodruff	1
18	76-0870	Plate-Wear	1
19		Rotor	1
20		Vane	7
21		Stator	1
22	76-0840	Manifold	1
23		Ring-Commutator	1
24	76-0890	End Cover Assembly	1
*	76-0970	Rotor Set (Incl. Ref. #19-21)	1
*	76-0880	Commutator Assembly (Incl. Ref. #15, 16 & 23)	1
*	76-0800	Seal Kit (Incl. Ref. #1, 4-7 & 15)	1
*	76-0810	Housing Assembly (Incl. Ref. #2, 3 & 8-10)	1

*Not Illustrated

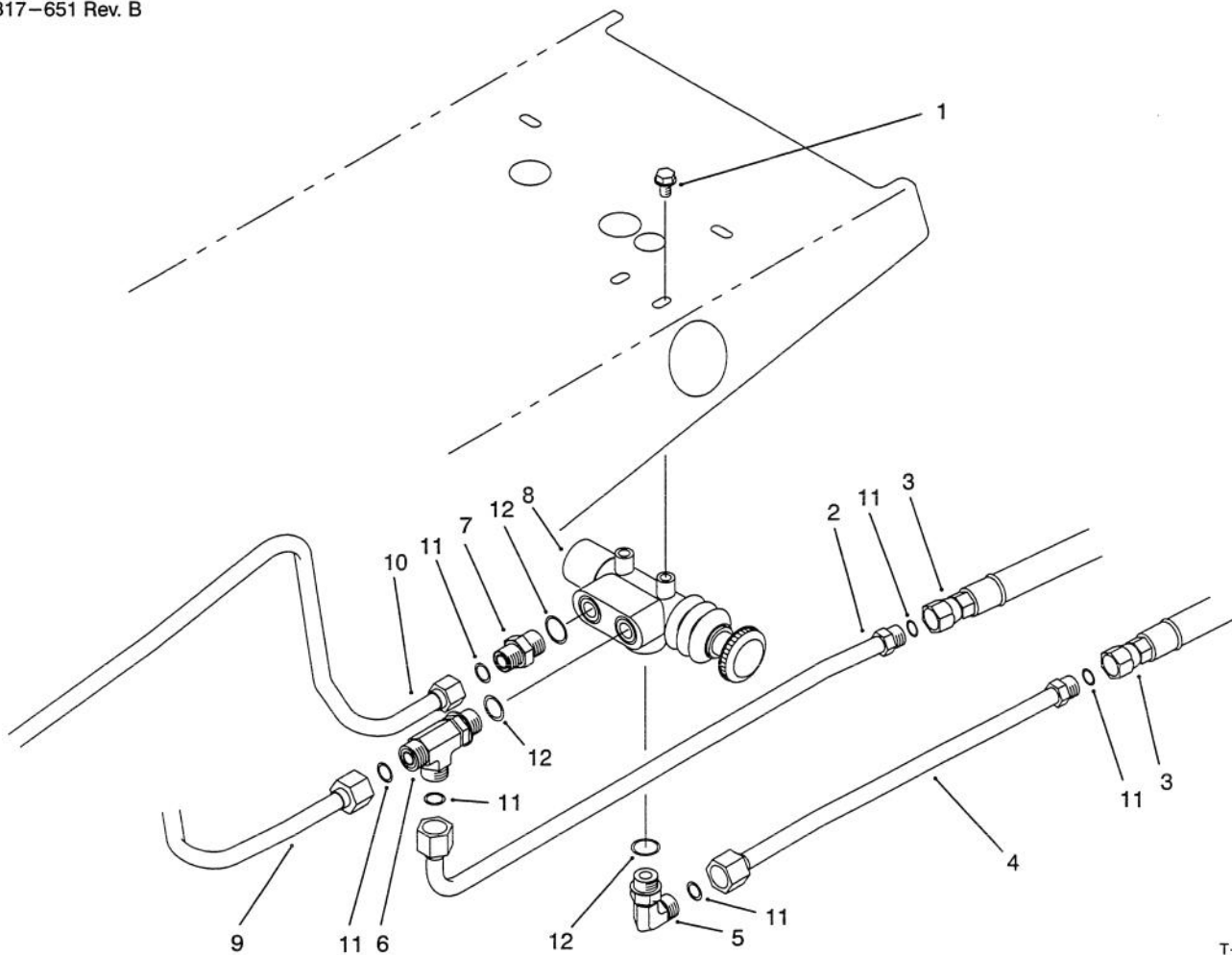


T-2163

DRIVE MOTOR PLUMBING ASSEMBLY

Ref. No.	Part No.	Description	No. Used
1	322-9	Screw-HH	1
5	93-6836	Tube Assy (Incl. Ref. #20)	1
6	93-6895	Tube-Asm-3wd Fwd	1
7	56-7976	Clamp-Tube	2
8	2412-104	Clamp-R	1
9	340-5	Ftg-ORS (Incl. Ref. #19 & 20)	2
10	83-9500	Tube Asm-3wd Valve	1
11	71-2960	Valve-Flow Control	1
12	3296-29	Nut-Hex Lock	1

Ref. No.	Part No.	Description	No. Used
13	93-6896	Tube Asm-3wd Reverse	1
14	354-79	Cap-Fitting Yellow	2
15	354-77	Ftg-Quick Conn (Incl. Ref. #21)	2
16	93-6837	Tube Asm (Incl. Ref. #20)	1
17	93-6828	Hose-Hydraulic	1
18	93-6829	Hose-Hydraulic	1
19	237-42	Seal-O-Ring	2
20	237-30	Seal-O-Ring	6
21	237-78	Seal-O-Ring	2

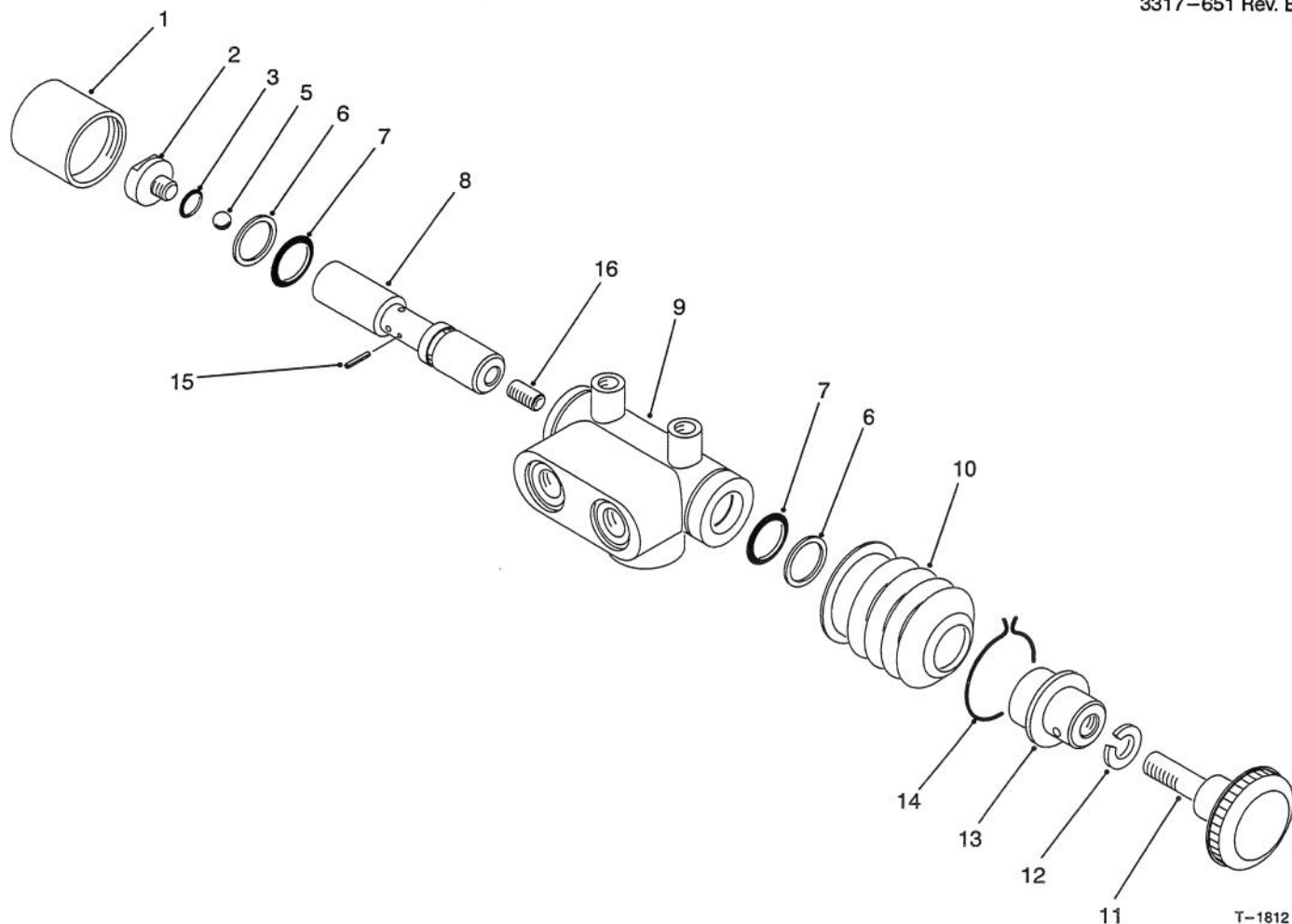


T-2152

REAR WHEEL DRIVE VALVE ASSEMBLY

Ref. No.	Part No.	Description	No. Used
1	3234-28	Screw-HH	2
2	93-6830	Tube-Hyd (Incl. Ref. #11)	1
3	93-6843	Hose Asm	2
4	93-6835	Tube-Hyd (Incl. Ref. #11)	1
5	340-98	Fitting (Incl. Ref. #11 & 12)	1

Ref. No.	Part No.	Description	No. Used
6	340-109	Fitting-Tee (Incl. Ref. #11 & 12)	1
7	340-4	Fitting-ORS (Incl. Ref. #11 & 12)	1
8	92-3196	Valve-2 Position	1
9	83-9500	Tube-Hydraulic	1
10	93-6895	Tube-Hydraulic	1
11	237-30	Seal-O-Ring	6
12	237-79	Seal-O-Ring	3



T-1812

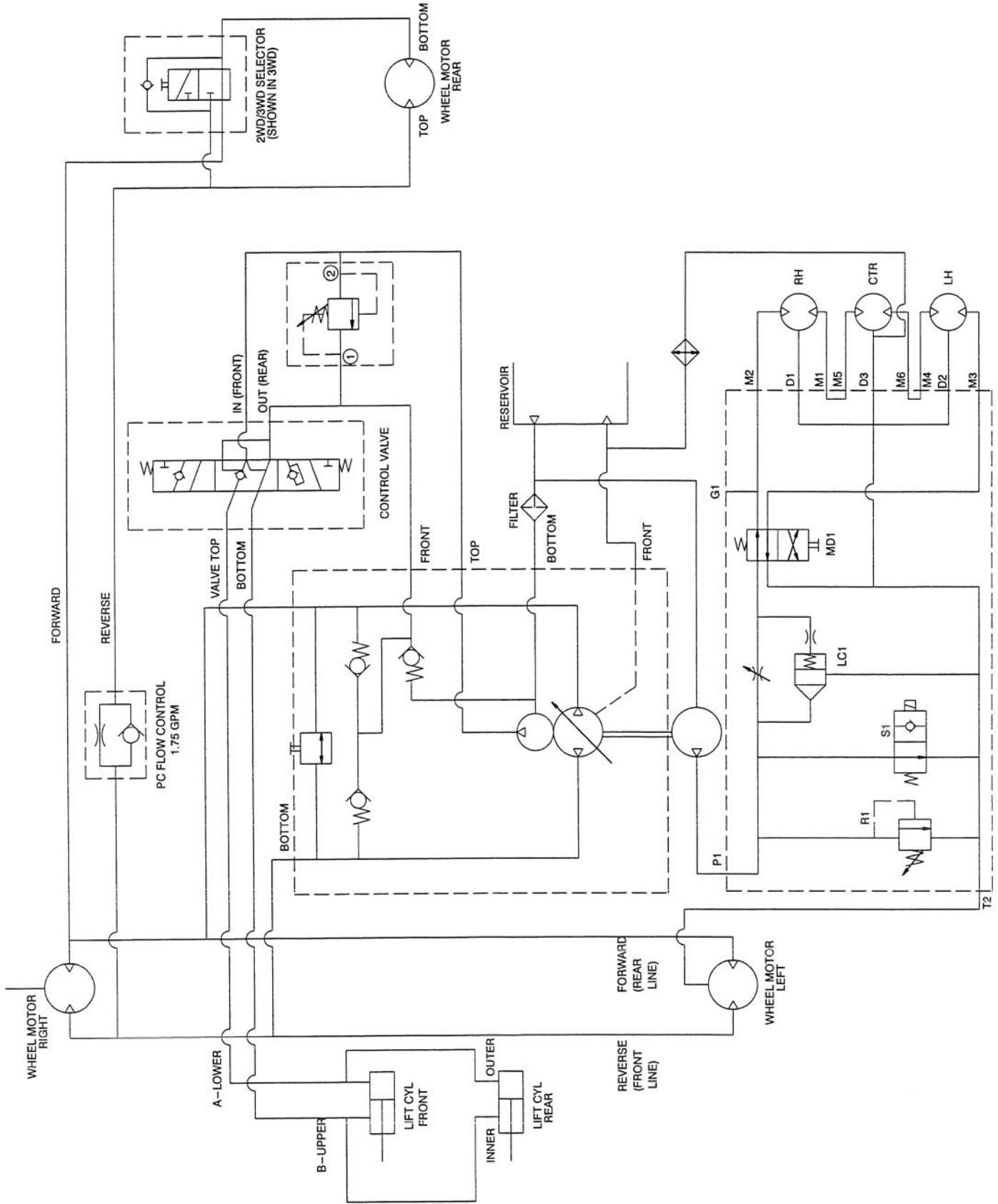
TWO POSITION VALVE ASSEMBLY NO. 92-3196

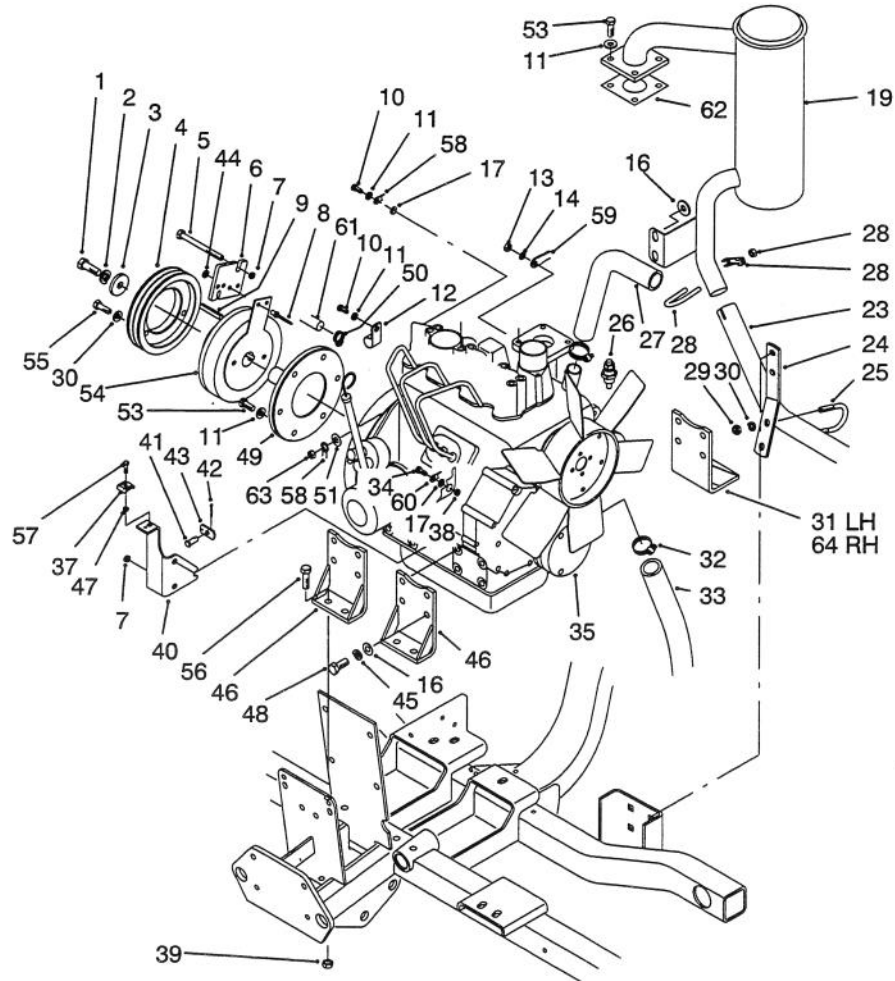
Ref. No.	Part No.	Description	No. Used
1	92-7904	Cap-Valve	1
2	94-3427	Plug Assembly (Incl. Ref. #3)	1
3	237-22	Seal-O-Ring	1
5	354-23	Ball	1
6		Ring-Back-Up	2
7		Seal-O-Ring	2
8		Spool-Valve	1
9		Housing-Valve	1
10	92-7911	Boot	1

Ref. No.	Part No.	Description	No. Used
11	233-46	Knob	1
12	3253-5	Washer-Lock	1
13	94-3426	Stop-Valve	1
14	92-7912	Retainer-Boot	1
15	32121-38	Pin-Spring	1
16	94-3425	Screw	1
*	92-7913	Seal Repair Kit (Incl. Ref. #1, 3, 6, 7, 10 & 14)	1

*Not Illustrated

HYDRAULIC SCHEMATIC



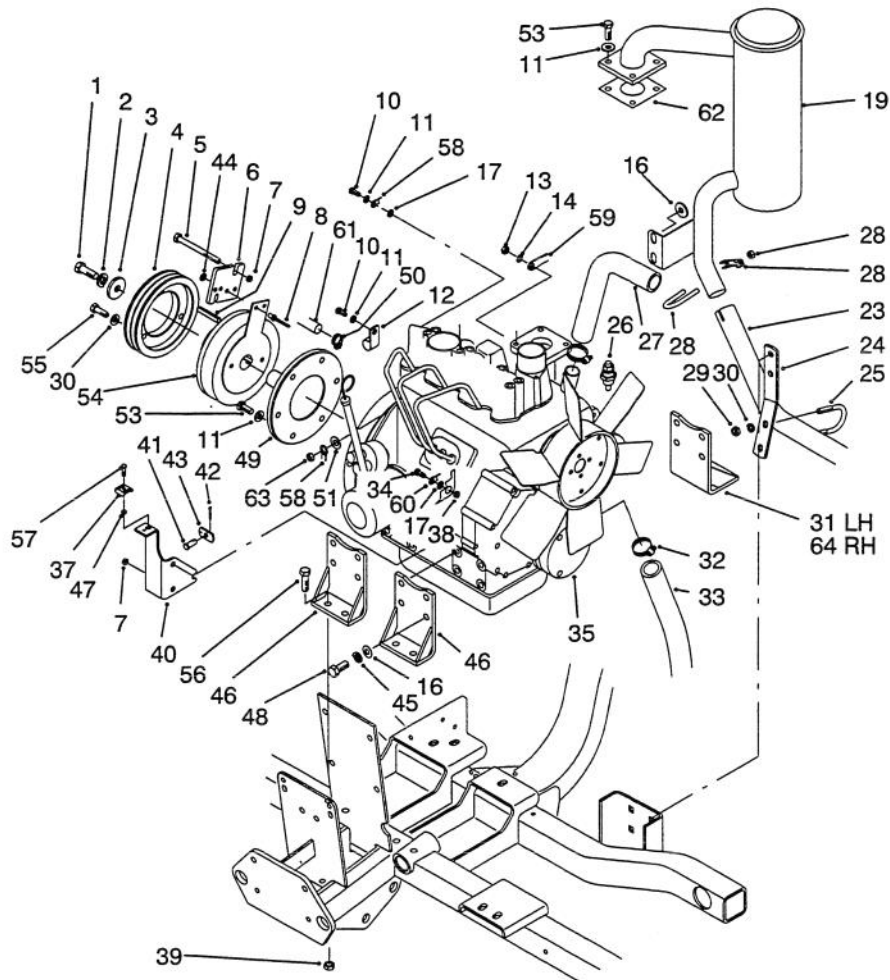


T-2158

ENGINE INSTALLATION ASSEMBLY

Ref. No.	Part No.	Description	No. Used	Ref. No.	Part No.	Description	No. Used
1	3212-5	Screw-HH	1	32	2412-34	Clamp-Hose	2
2	3253-6	Washer-LK	1	33	93-6729	Hose-Radiator Lower	1
3	44-8160	Washer-Clutch	1	34	3234-5	Screw-FLG	1
4	93-6706	Pully-Engine	1	†35		Engine Assembly	1
5	68-6030	Screw-HH	1	37	81-1690	Clamp-Throttle Cable	1
6	93-6725	Bracket-Wire Keeper	1	38	32128-44	Nut-Flange	1
7	33004-00	Nut-HF	4	39	32128-43	Nut-Flange	7
8	3290-412	Rivet-Pop	1	40	93-6892	Bracket-Throttle Cable	1
9	83-8080	Key	1	41	283-62	Pin-Clevis	1
10	48-7700	Screw-HH	2	42	3272-10	Pin-Cotter	1
11	3256-23	Washer-FLT	12	43	92-3154	Tab-Throttle	1
12	2412-96	Clamp-R	1	44	48-8010	Washer-Flat	2
13	57-6390	Nut-Jam	1	45	48-9590	Washer-Lock	14
14	42-9850	Washer-Lock	1	46	93-6712	Bracket-Mount Front	2
16	80-6990	Washer-Hardened	16	47	32148-14	Nut-Insert	1
17	3255-8	Washer-Lock	2	48	48-7780	Screw-HH	16
19	93-6719	Muffler	1	49	93-6707	Spindle-Clutch	1
23	93-6721	Tube-Muffler	1	50	2412-108	Clamp-Hose	1
24	93-6720	Bracket-Muffler	1	51	3255-17	Washer-Lock	1
25	93-6722	U-Bolt	1	53	66-3160	Screw	10
26	82-3110	Sender-Temp	1	54	93-6727	Clutch-Electric	1
27	93-6728	Hose-Radiator Upper	1	55	322-5	Screw-HH	1
28	2112-11	Clamp-Muffler	1	56	3234-24	Screw-HH	7
29	3217-6	Nut-Hex.	1	57	3290-432	Screw-HH	1
30	3253-4	Washer-Lock	4	58	94-3692	Harness-Wire	1
31	93-6713	Bracket-Mount Rear LH	1	59	93-6775	Cable-Battery Pos.	1

†Obtain from your local Perkins Dealer.

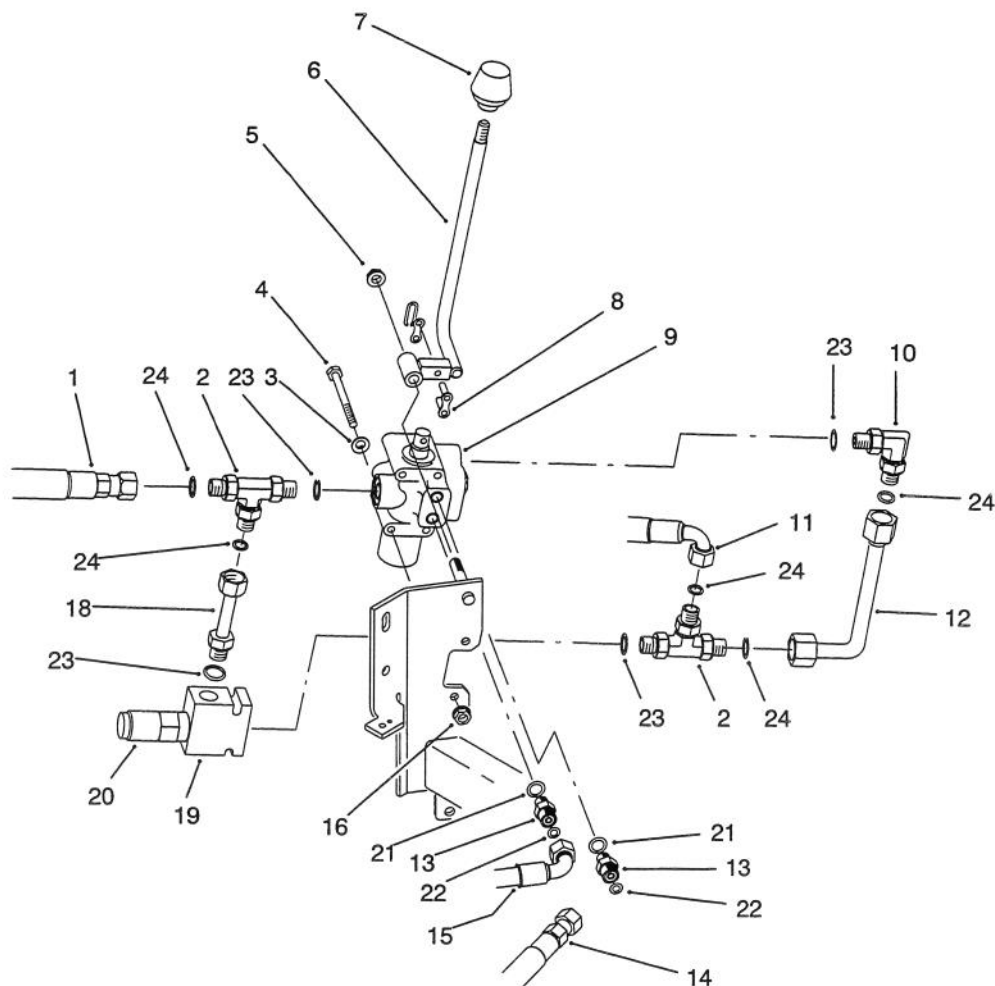


T-2158

ENGINE INSTALLATION ASSEMBLY (Continued)

Ref. No.	Part No.	Description	No. Used	Ref. No.	Part No.	Description	No. Used
60	83-9210	Cable-Battery Neg.	1	†63		Nut-Hex.	1
61	75-4703	Hose-Fuel	1	64	93-6946	Bracket-Mount Rear RH	1
†62		Gasket-Muffler	1				

†Obtain from your local Perkins Dealer.



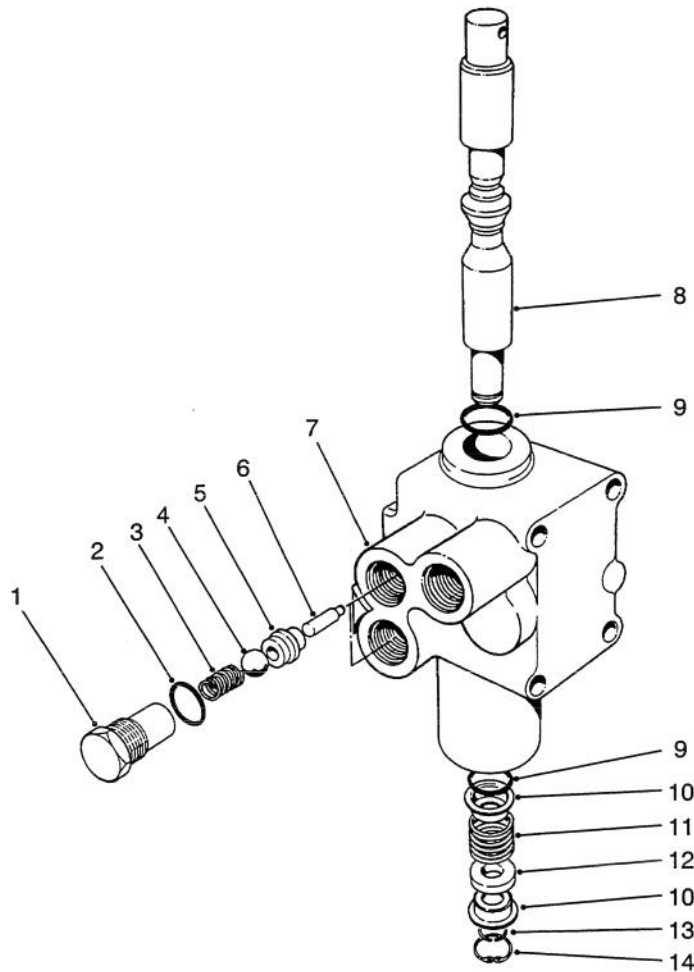
T-2164

CUTTING UNIT LIFT VALVE INSTALLATION ASSEMBLY

Ref. No.	Part No.	Description	No. Used
1	93-6797	Hose Asm	1
2	340-86	Ftg-Hyd, Tee (Incl. Ref. #23 & 24)	2
3	3256-22	Washer-Fit	2
4	321-23	Screw-HH	2
5	3296-39	Nut-Hex Lock	1
6	85-5160	Valve Lever WA	1
7	233-37	Knob	1
8	2710-16	Connecting Link Asm	1
9	43-1950	Valve-Control Hydraulic	1
10	340-77	Fitting-Hyd 90° (Incl. Ref. #23 & 24)	1
11	93-6798	Hose Asm	1
12	93-6922	Tube-Hydraulic	1

Ref. No.	Part No.	Description	No. Used
13	340-92	Fitting-Straight (Incl. Ref. #21 & 22)	2
14	93-6807	Hose Asm	1
15	93-6887	Hose Asm	1
16	3296-16	Nut-Lock	2
18	93-6923	Tube-Hydraulic (Incl. Ref. #23)	1
19	94-3608	Body-Relief Valve	1
20	94-3607	Cartridge-Relief Valve	1
21	237-78	Seal-O-Ring	2
22	237-21	Seal-O-Ring	2
23	237-42	Seal-O-Ring	4
24	237-22	Seal-O-Ring	5
*	93-6921	Relief Valve Assembly (Incl. Ref. #19 & 20)	1

*Not Illustrated

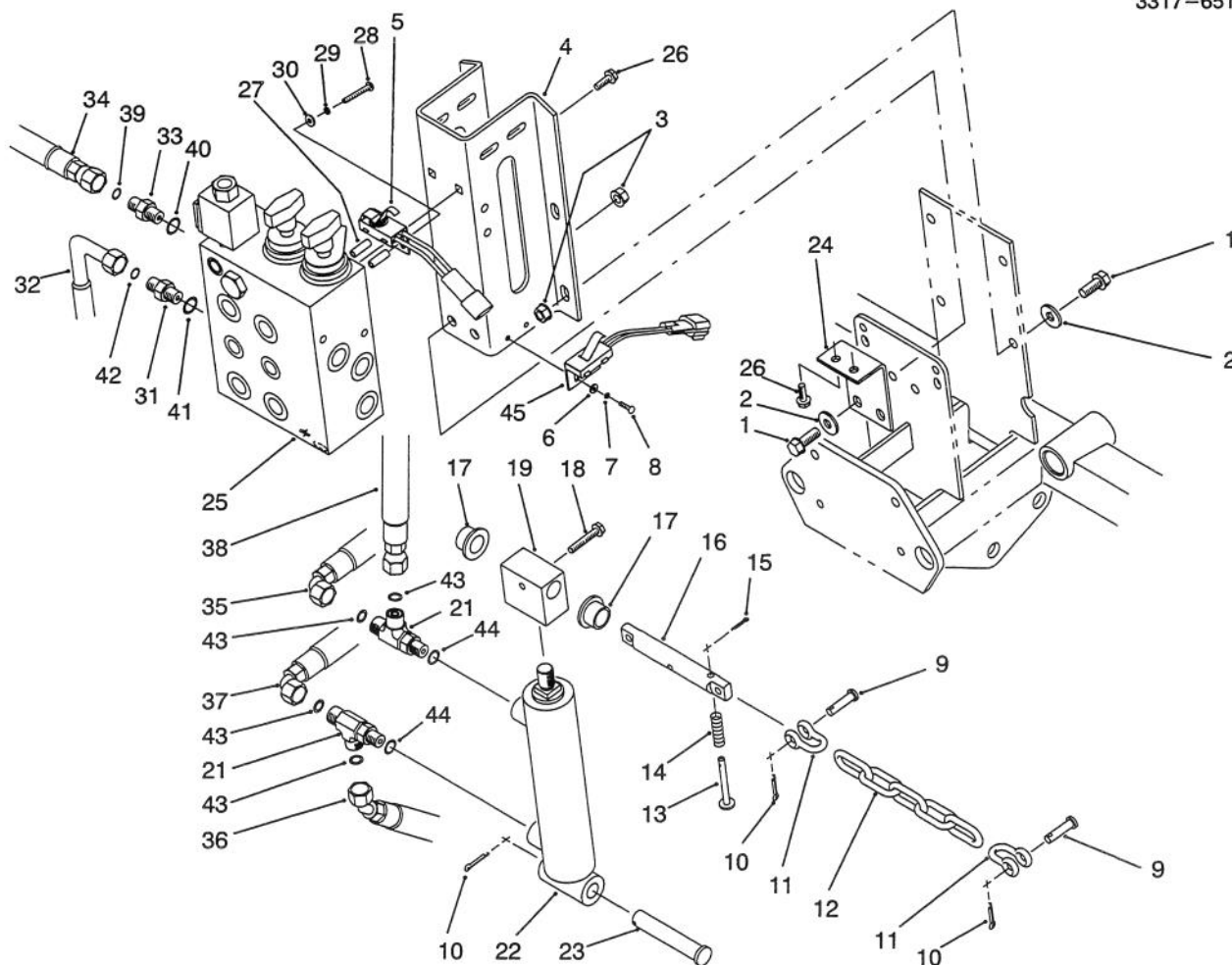


T-0280

CONTROL VALVE ASSEMBLY NO. 43-1950

Ref. No.	Part No.	Description	No. Used
1	22-8330	Plug	2
2	237-42	Seal-O-Ring	2
3	22-8340	Spring	2
4	22-8350	Ball	2
5	22-8370	Seat-Check Valve	2
6	22-8360	Pin-Cam	2
7		Body	1

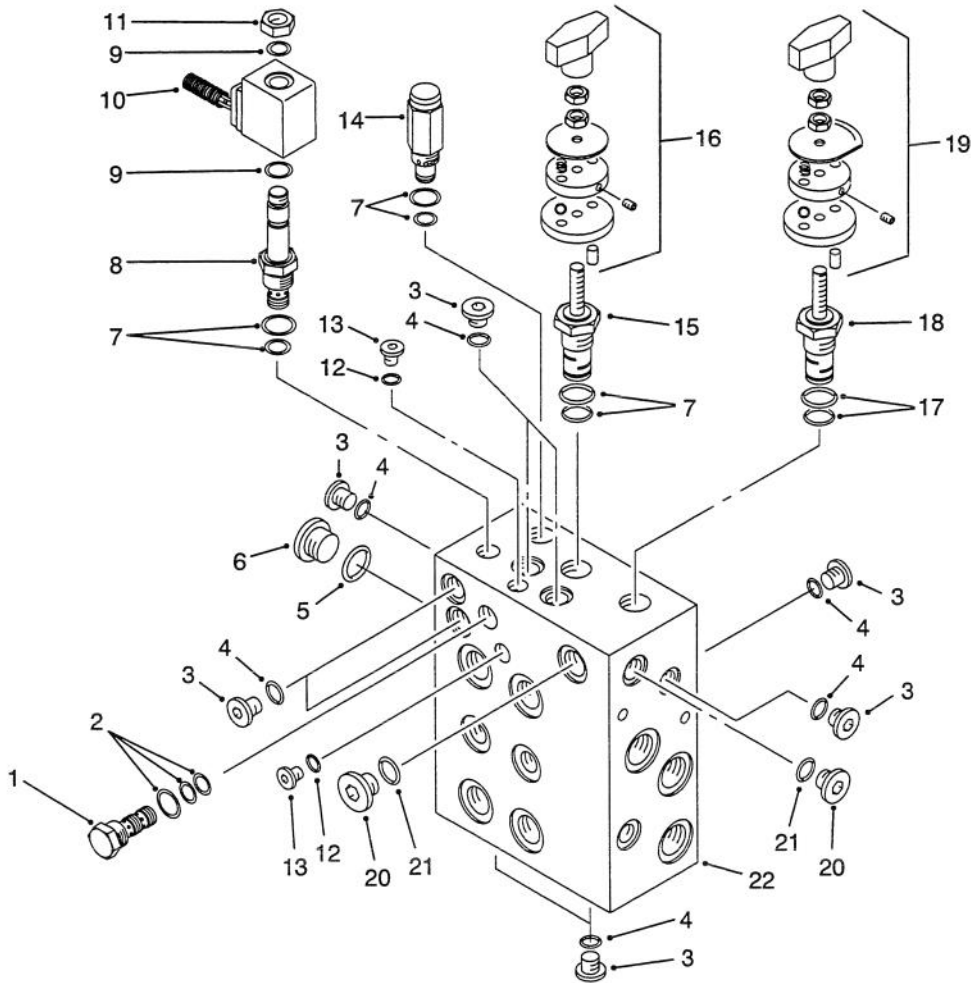
Ref. No.	Part No.	Description	No. Used
8	22-8420	Spool	1
9	22-8500	Seal-O-Ring	2
10	22-8380	Retainer-Spring	2
11	22-8410	Spring	1
12	23-3030	Spacer	1
13	22-8480	Snap Ring-Spool	1
14	22-8490	Snap Ring	1



T-2167

FRONT CUTTING UNIT LIFT ASSEMBLY

Ref. No.	Part No.	Description	No. Used	Ref. No.	Part No.	Description	No. Used
1	3234-25	Bolt-Flange	6	25	93-6718	Hydraulic Manifold Assembly	1
2	80-6990	Washer-Hardened	6	26	3234-5	Screw-Flg	3
3	32128-43	Nut-Whiz	5	27	93-6904	Spacer	2
4	93-6931	Bracket-Cyl Support	1	28	32105-1	Screw-HH	2
5	92-7905	Micro Switch	1	29	3255-17	Washer-Lock Ext. Tooth	2
6	3256-53	Washer-Flt	1	30	3256-14	Washer-Flat	2
7	3254-9	Washer-Lock Int Tooth	2	31	340-2	Adaptor (Incl. Ref. #41 & 42)	1
8	3290-130	Screw-Phillips	2	32	93-6935	Hose Assembly	1
9	283-6	Pin-Clevis	4	33	340-4	Adaptor (Incl. Ref. #39 & 40)	1
10	3272-11	Pin-Cotter	5	34	93-6800	Hose-Hydraulic	1
11	282-4	Clevis	4	35	93-6890	Hose-Hydraulic	1
12	61-3830	Chain	2	36	93-6889	Hose-Hydraulic	1
13	71-1380	Pin-Switch Actuator	1	37	93-6807	Hose-Hydraulic	1
14	71-1370	Spring-Compression	1	38	93-6887	Hose-Hydraulic	1
15	3272-4	Pin-Cotter	1	39	237-22	Seal-O-Ring	1
16	72-4190	Pin-Cylinder Guide	1	40	237-79	Seal-O-Ring	1
17	84-8440	Bush-Flg	2	41	237-42	Seal-O-Ring	1
18	321-43	Screw-HH	1	42	237-22	Seal-O-Ring	1
19	61-2450	Hub-Lift	1	43	237-21	Seal-O-Ring	4
21	340-140	Tee (Incl. Ref. #43 & 44)	2	44	237-78	Seal-O-Ring	2
22	93-6774	Cylinder-Lift	1	45	94-1754	Micro Switch	1
23	283-78	Clevis Pin	1				
24	93-6733	Brkt-Valve Mount	1				



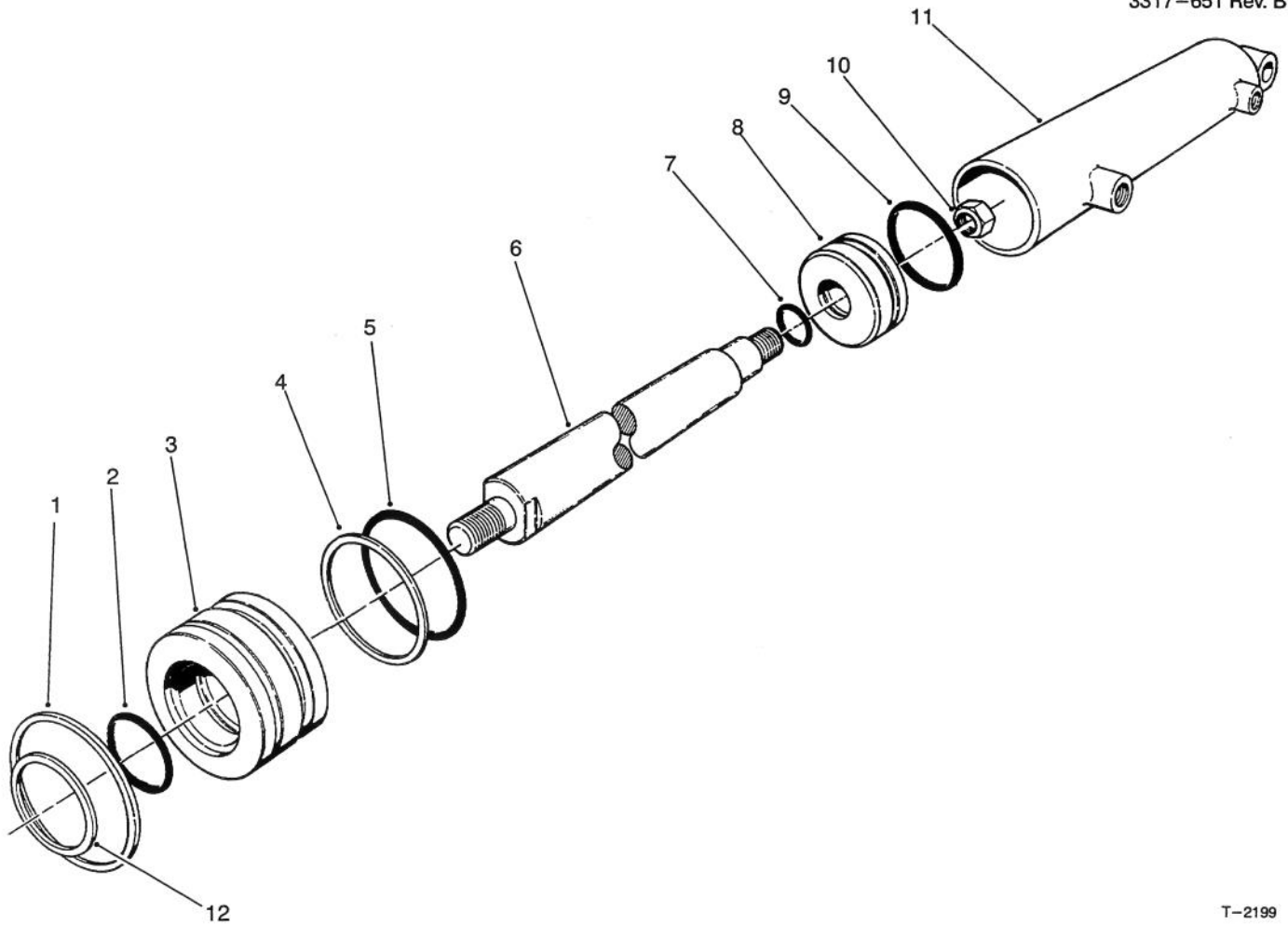
T-2203

HYDRAULIC MANIFOLD ASSEMBLY NO. 93-6718

Ref. No.	Part No.	Description	No. Used
1	69-4120	Cartridge Valve Assembly (Incl. Ref. #2)	1
2	69-4240	Seal Kit	1
3	353-990	Plug Assembly (Incl. Ref. #4)	7
4	237-78	Seal-O-Ring	7
5	237-79	Seal-O-Ring	1
6	353-988	Plug Assembly (Incl. Ref. #5)	1
7	75-2080	Seal Kit	3
8	94-3656	Spool Assembly (Incl. Ref. #7)	1
9		Seal-O-Ring	2
10	83-2010	Coil Assembly (Incl. Ref. #9)	1
11	69-4300	Nut	1

Ref. No.	Part No.	Description	No. Used
12	237-156	Seal -O-Ring	2
13	353-991	Plug Assembly (Incl. Ref. #12)	2
14	94-3655	Cartridge Valve Assembly (Incl. Ref. #7)	1
15	94-3659	Spool Assembly (Incl. Ref. #7)	1
16	94-3660	Knob Assembly	1
17	94-3661	Seal Kit	1
18	94-3657	Spool Assembly (Incl. Ref. #17)	1
19	94-3658	Knob Assembly	1
20	353-989	Plug Assembly (Incl. Ref. #21)	2
21	237-42	Seal-O-Ring	2
†22		Body-Manifold	1

†Not Serviced Separately



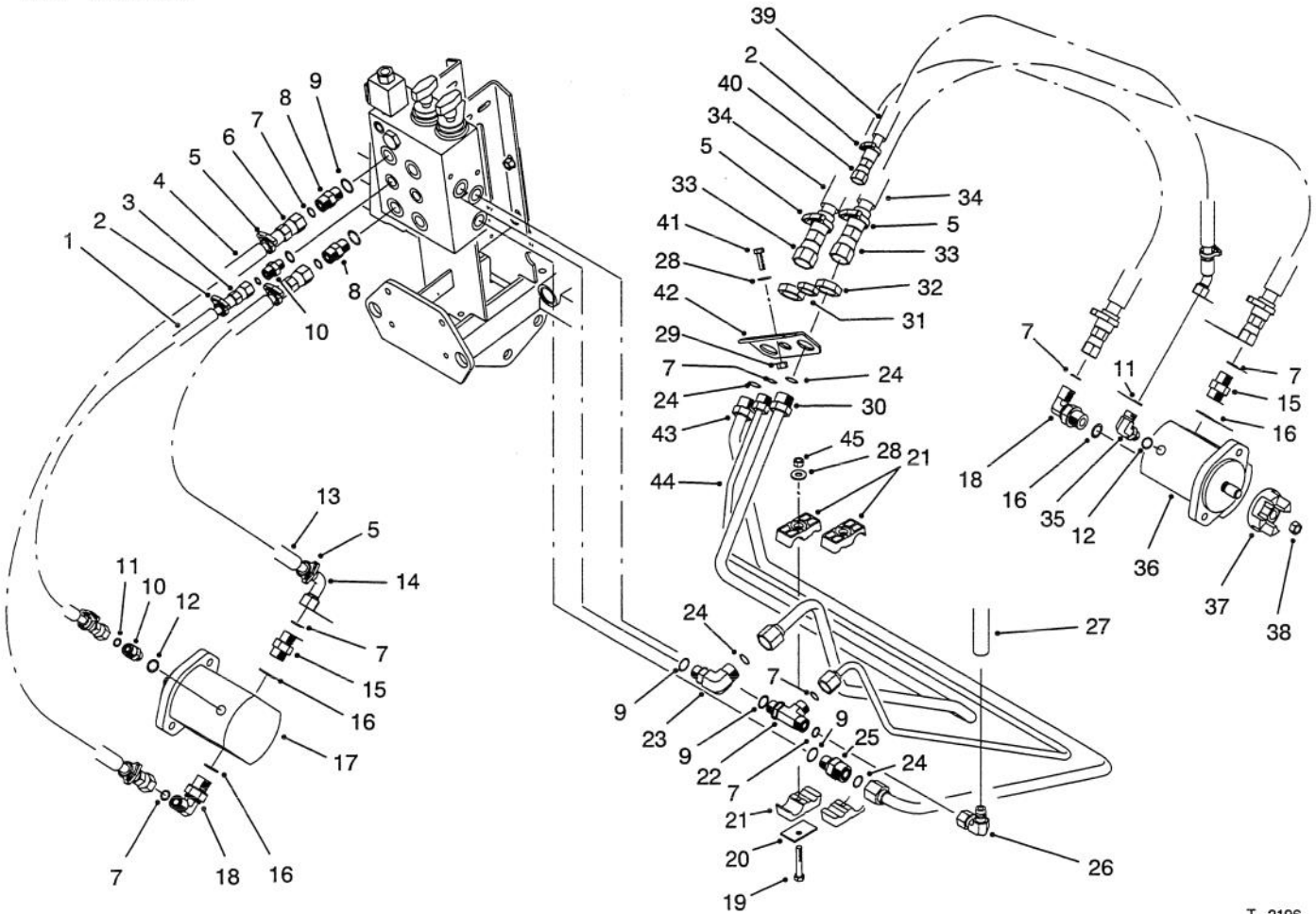
T-2199

HYDRAULIC CYLINDER ASSEMBLY NO. 93-6774

Ref. No.	Part No.	Description	No. Used
1	94-3612	Ring-Retaining	1
2		Seal-O-Ring	1
3	94-3611	Head	1
4		Washer-Backup	1
5		Seal-O-Ring	1
6	94-3610	Shaft	1
7		Seal-O-Ring	1
8	94-3609	Piston	1

Ref. No.	Part No.	Description	No. Used
9		Uniring	1
10	32152-10	Nut-Lock	1
11	94-3613	Barrel	1
12		Seal-Dust	1
*	94-3614	Repair Kit (Incl. Ref. #2, 4-5, 7, 9 & 12)	1

*Not Illustrated

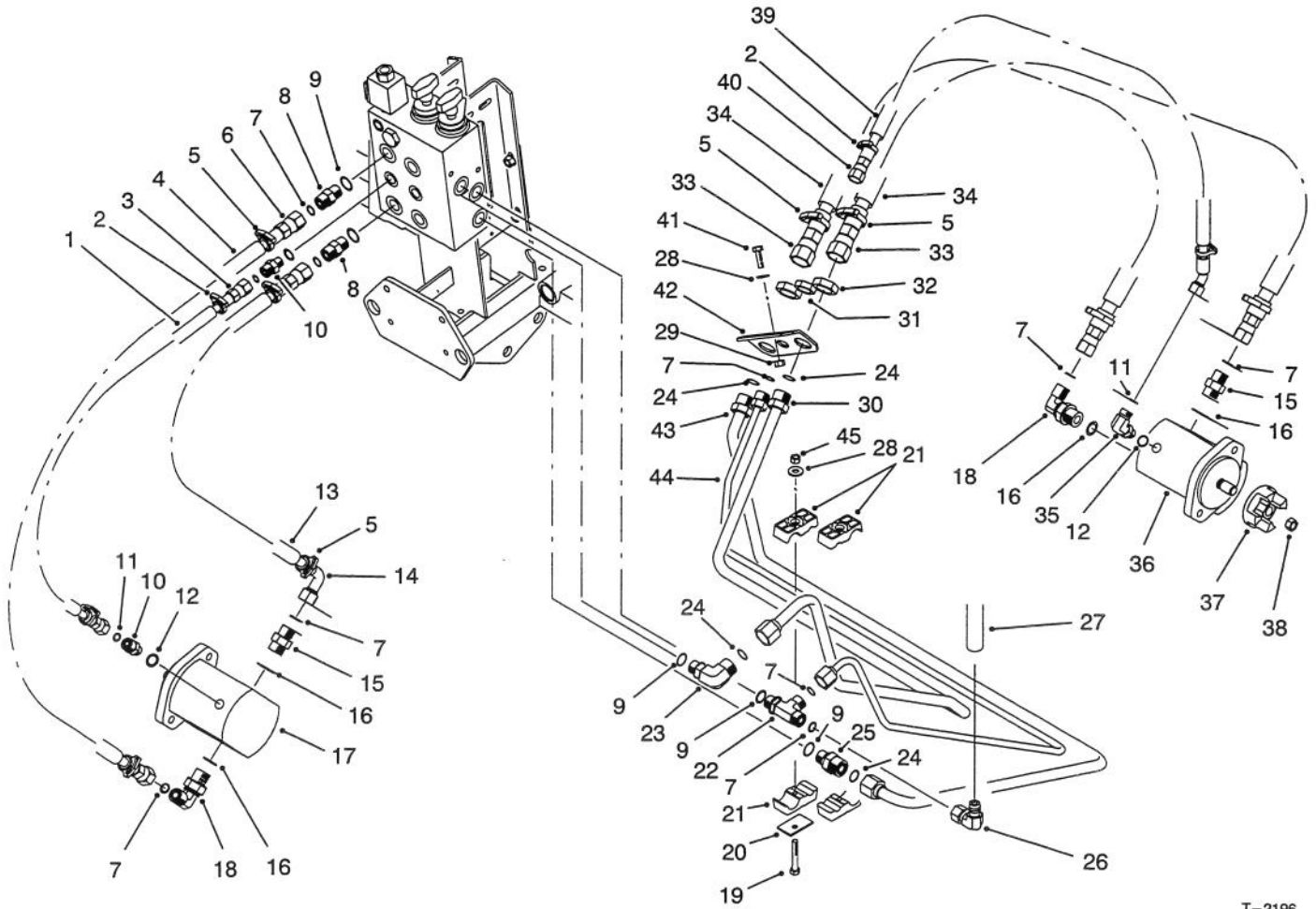


T-2196

CUTTING UNIT HYDRAULIC PLUMBING ASSEMBLY

Ref. No.	Part No.	Description	No. Used
1		Sleeve-Protective	2
2		Clamp-Sleeve	6
3	93-6787	Hydraulic Hose Assembly (Incl. Ref. #1 & 2)	2
4		Sleeve-Protective	2
5		Clamp-Sleeve	12
6	93-6788	Hydraulic Hose Assembly (Incl. Ref. #4 & 5)	2
7	237-30	Seal-O-Ring	13
8	340-4	Fitting-Hydraulic Straight (Incl. Ref. #7 & 9)	4
9	237-79	Seal-O-Ring	7
10	340-2	Fitting-Hydraulic Straight (Incl. Ref. #11 & 12)	2
11	237-22	Seal-O-Ring	3
12	237-42	Seal-O-Ring	3
13		Sleeve-Protective	2
14	93-6786	Hydraulic Hose Assembly (Incl. Ref. #5 & 13)	2
15	340-6	Fitting-Hydraulic Straight (Incl. Ref. #7 & 16)	3
16	237-80	Seal-O-Ring	6
17	93-6972	Hydraulic Motor Assembly	2
18	340-105	Fitting-Hydraulic 90° (Incl. Ref. #7 & 16)	3
19	322-10	Screw-Cap Hex. Hd.	2

Ref. No.	Part No.	Description	No. Used
20	69-9760	Plate-Clamp	2
21	56-7970	Clamp-Tube	4
22	340-109	Fitting-Hydraulic Tee (Incl. Ref. #7 & 9)	1
23	340-153	Fitting-Hydraulic 90° (Incl. Ref. #9 & 24)	1
24	237-65	Seal-O-Ring	4
25	340-155	Fitting-Hydraulic Straight (Incl. Ref. #9 & 24)	1
26	93-6803	Fitting-Hydraulic 90°	1
27	93-6805	Hose-Hydraulic	1
28	3256-3	Washer-Flat	4
29	32128-44	Nut-Lock	2
30	93-6918	Hydraulic Tube Assembly (Incl. Ref. #24)	1
31	340-70	Nut-Bulkhead	1
32	340-74	Nut-Bulkhead	2
33	93-6790	Hydraulic Hose Assembly (Incl. Ref. #5 & 34)	2
34		Sleeve-Protective	2
35	340-77	Fitting-Hydraulic 90° (Incl. Ref. #11 & 12)	1
36	93-6975	Hydraulic Motor Assembly	1
37	93-8823	Coupling	3
38	32128-48	Nut-Lock	3
39		Sleeve-Protective	1

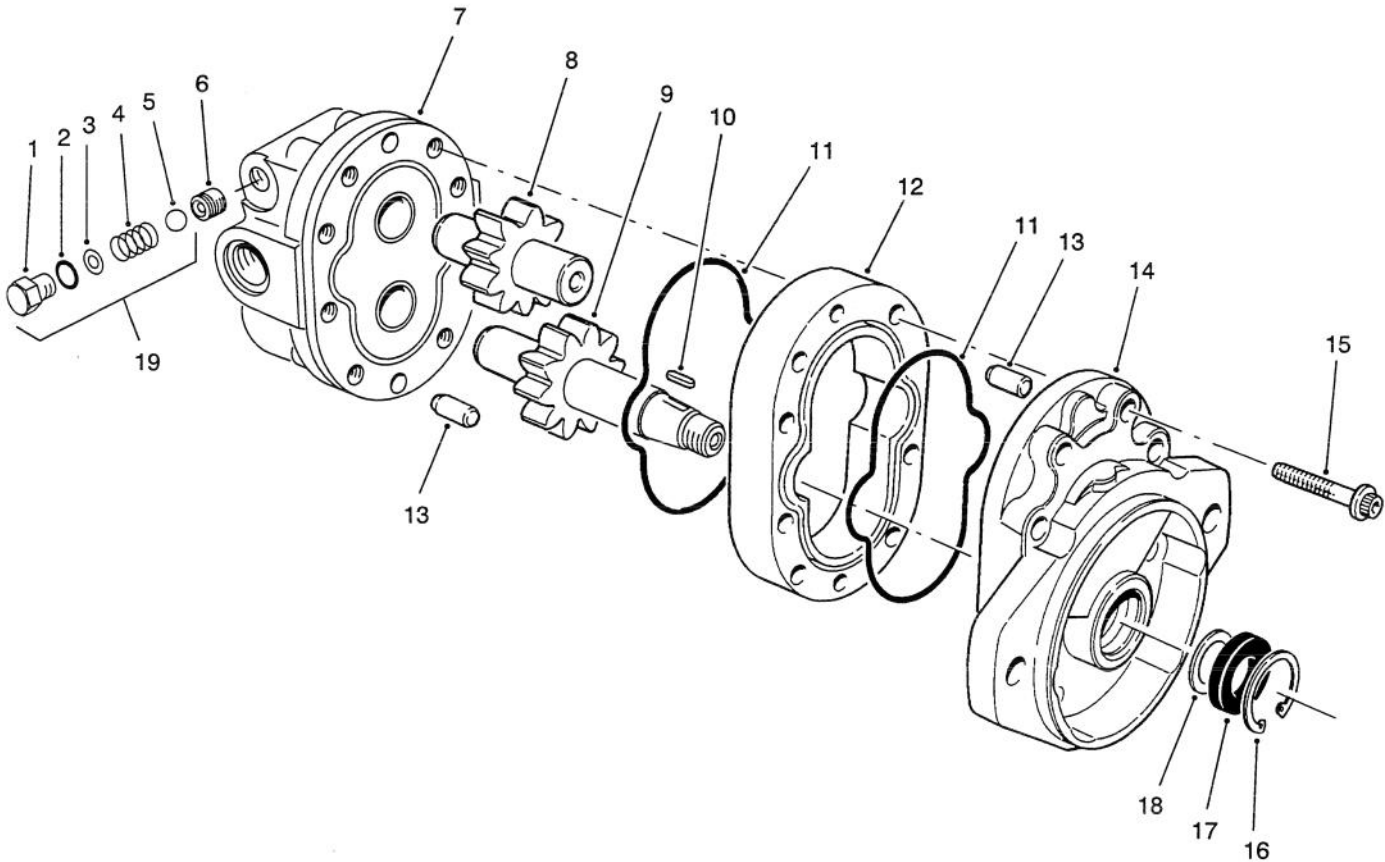


T-2196

CUTTING UNIT HYDRAULIC PLUMBING ASSEMBLY (Continued)

Ref. No.	Part No.	Description	No. Used
40	93-6789	Hydraulic Hose Assembly (Incl. Ref. #2 & 39)	1
41	3234-5	Screw-Cap Hex. Hd.	2
42	93-6796	Bracket-Bulkhead	1

Ref. No.	Part No.	Description	No. Used
43	93-6919	Hydraulic Tube Assembly (Incl. Ref. #24)	1
44	93-6920	Hydraulic Tube Assembly (Incl. Ref. #7)	1
45	3296-29	Nut-Lock	2



T-2184

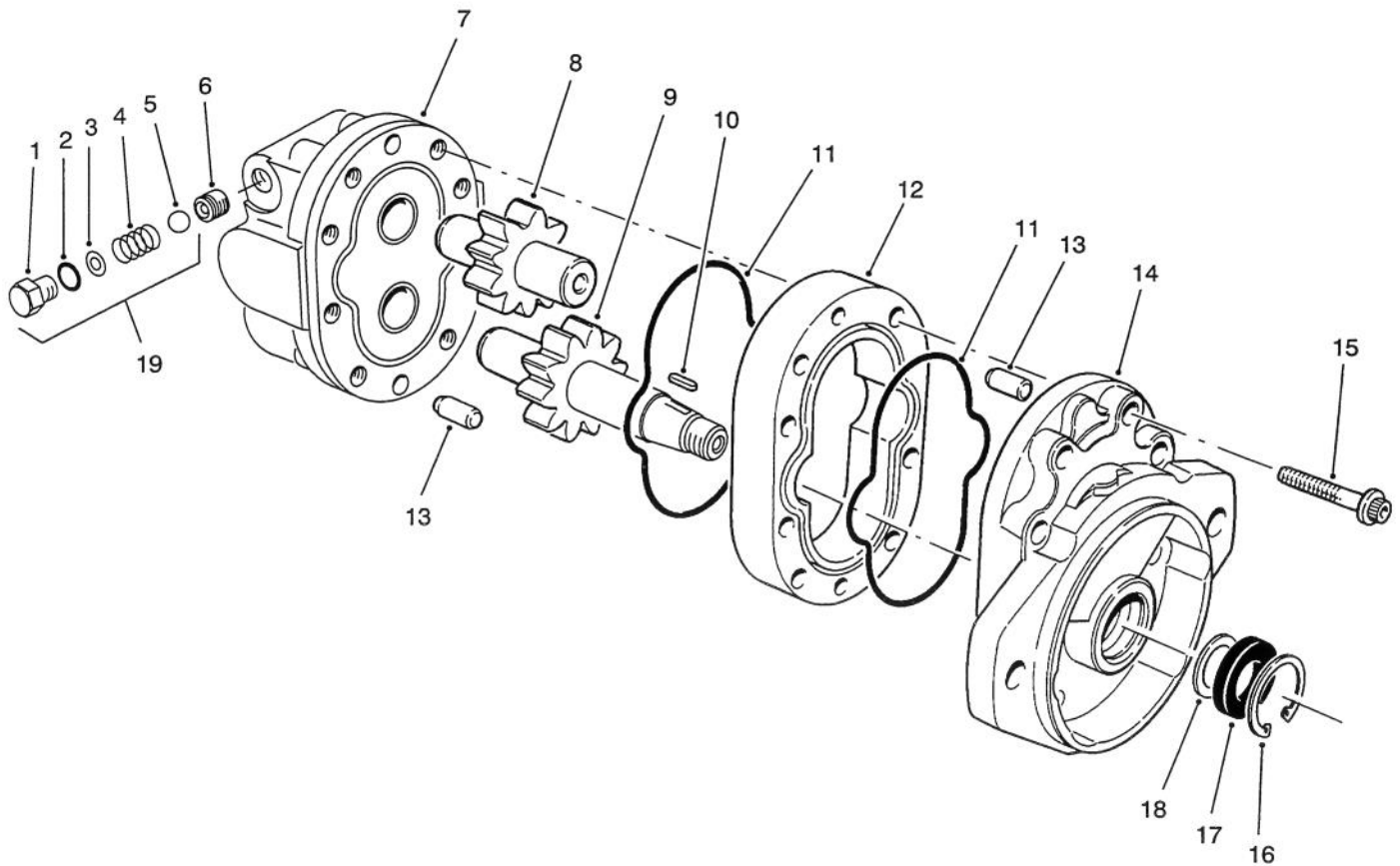
REEL MOTOR ASSEMBLY NO. 93-6972

Ref. No.	Part No.	Description	No. Used
† 1		Plug	2
† 2		Seal-O-Ring	2
† 3		Shim	A/R
† 4		Spring	2
† 5		Ball	2
† 6		Seal-Relief Valve	2
7	94-3604	Backplate/Relief Assembly (Incl. Ref. #19)	1
8	94-3601	Gear-Idler	1
9	94-3602	Gear-Drive	1
10	94-3606	Key	1
11	59-8420	Seal-O-Ring	2

Ref. No.	Part No.	Description	No. Used
12	94-3603	Body	1
13	42-2010	Pin-Alignment	2
14	66-5730	Front Plate Assembly	1
15	94-3600	Screw-Hex. Socket Hd.	8
16	59-8320	Ring-Retaining	1
17	66-5710	Seal-Oil	1
18	60-5890	Washer-Backup	1
19	92-9260	Relief Valve Assembly (Incl. Ref. #1-5)	1
*	93-1413	Seal Repair Kit (Incl. Ref. #11, 16, 17 & 2)	1

*Not Illustrated

†Not Serviced Separately



T-2185

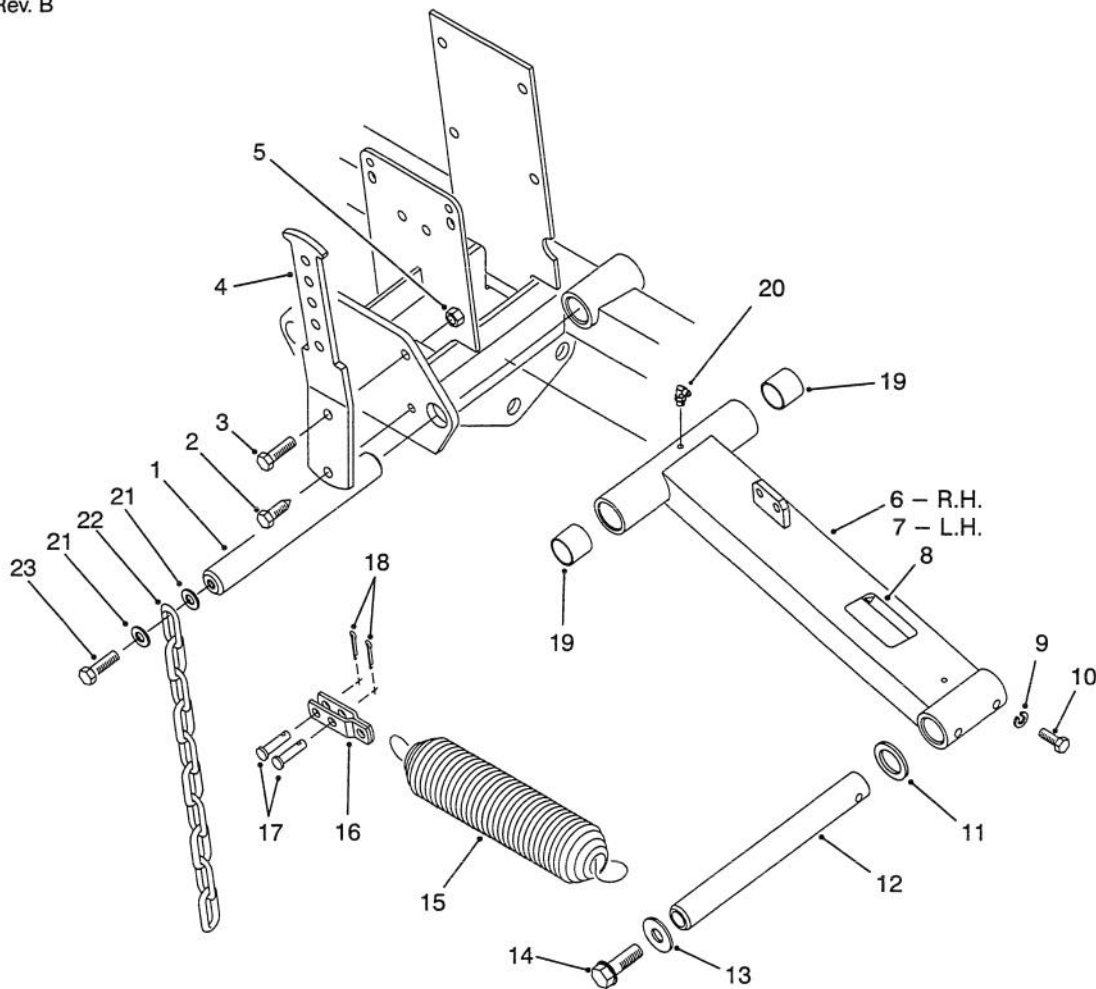
REEL MOTOR ASSEMBLY NO. 93-6975

Ref. No.	Part No.	Description	No. Used
†1		Plug	2
†2		Seal-O-Ring	2
†3		Shim	A/R
†4		Spring	2
†5		Ball	2
†6		Seal-Relief Valve	2
7	94-3605	Backplate/Relief Assembly (Incl. Ref. #19)	1
8	94-3601	Gear-Idler	1
9	94-3602	Gear-Drive	1
10	94-3606	Key	1
11	59-8420	Seal-O-Ring	2

Ref. No.	Part No.	Description	No. Used
12	94-3603	Body	1
13	42-2010	Pin-Alignment	2
14	66-5730	Front Plate Assembly	1
15	94-3600	Screw-Hex. Socket Hd.	8
16	59-8320	Ring-Retaining	1
17	66-5710	Seal-Oil	1
18	60-5890	Washer-Backup	1
19	92-9260	Relief Valve Assembly (Incl. Ref. #1-5)	1
*	93-1413	Seal Repair Kit (Incl. Ref. #11, 16, 17 & 2)	1

*Not Illustrated

†Not Serviced Separately

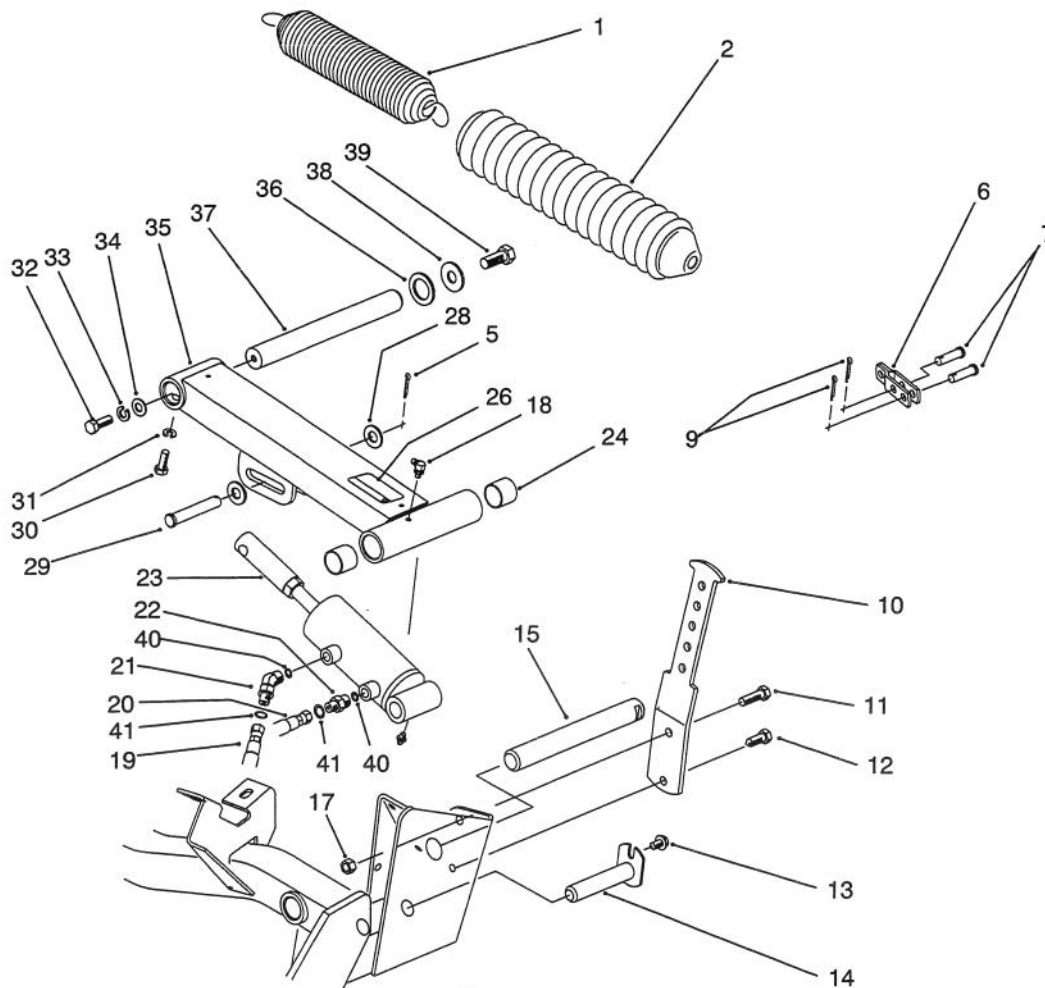


T-2165

FRONT CUTTING UNIT LIFT ARM ASSEMBLY

Ref. No.	Part No.	Description	No. Used	Ref. No.	Part No.	Description	No. Used
1	92-1812	Shaft-Lift Pivot	2	12	92-1815	Rod-Pivot	2
2	32104-6	Screw-HH	2	13	3256-6	Washer-Flt	2
3	323-7	Screw-HH	2	14	3234-32	Screw-HH	2
4	92-1818	Arm-Tension Spring	2	15	5-0743	Spring	2
5	3296-39	Nut-Hex Lock	2	16	93-6912	Shackle WA	2
6	94-3636	Lift Arm Assembly RH (Incl. Ref. #8, 19 & 20)	1	17	283-75	Pin-Clevis	4
7	94-3637	Lift Arm Assembly LH (Incl. Ref. #8, 19 & 20)	1	18	3272-10	Pin-Cotter	4
8	55-4300	Decal-Warning	2	19	3-0348	Bushing	4
9	3253-4	Washer-Spring Lock	2	20	302-60	Fitting-Lube	2
10	322-4	Screw-HH	2	21	3256-24	Washer-Flat	4
11	256-115	Washer-Thrust	2	22	93-6738	Chain-Tipper	2
				23	323-5	Screw-Cap Hex. Hd.	2

*Not Illustrated

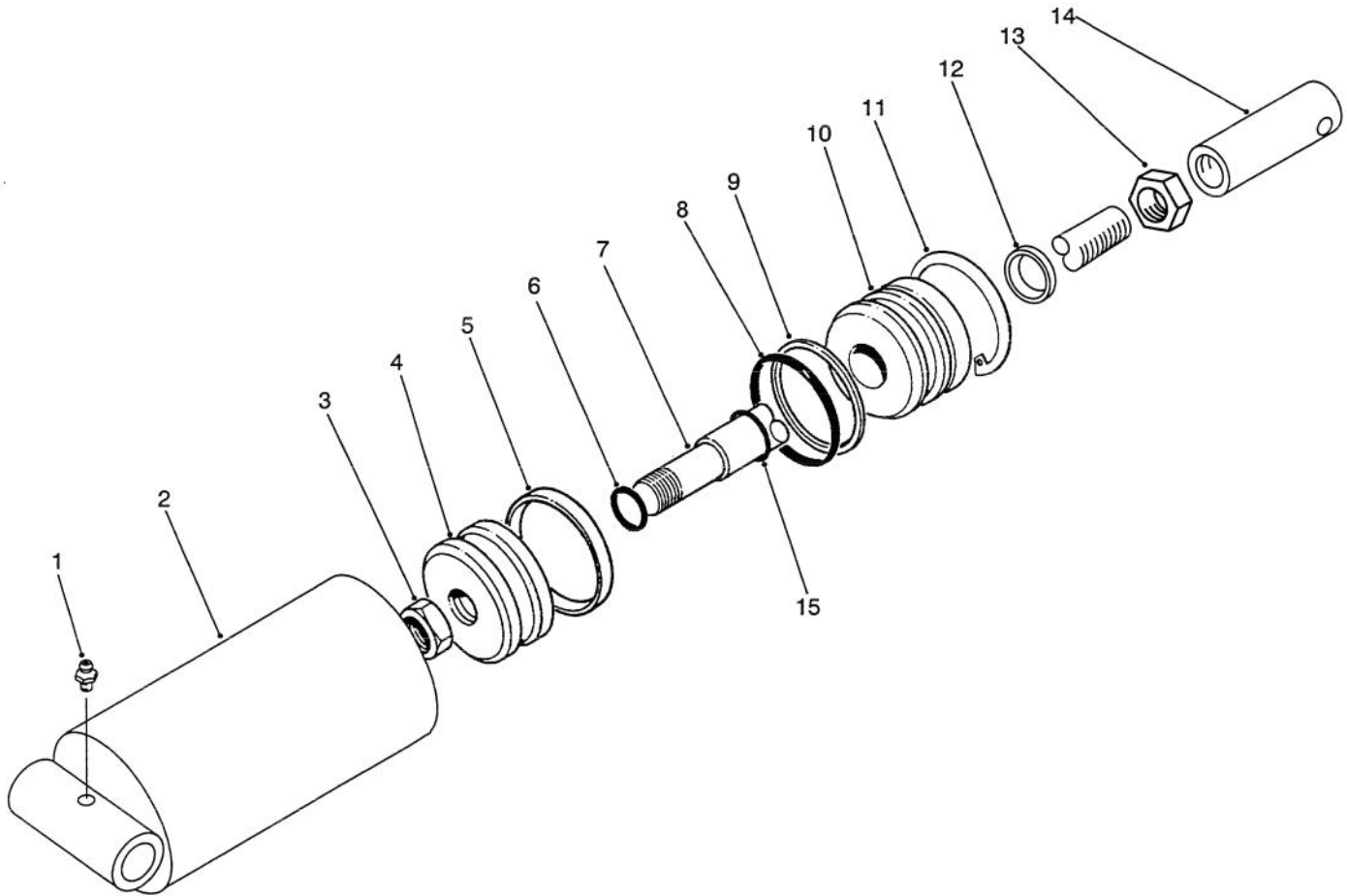


T-2166

REAR CUTTING UNIT LIFT ARM ASSEMBLY

Ref. No.	Part No.	Description	No. Used
1	5-0743	Spring	1
2	62-7240	Sleeve-Vinyl Spring	1
5	3272-11	Pin-Cotter	1
6	93-6912	Shackle WA	1
7	283-75	Pin-Clevis	2
9	3272-10	Pin-Cotter	2
10	92-1818	Arm-Tension Spring	1
11	323-7	Screw-HH	1
12	32104-6	Screw-HH	1
13	32144-14	Screw-HH	1
14	93-6893	Ram Pivot Pin WA	1
15	92-1812	Shaft-Lift Pivot	1
17	3296-39	Nut-Hex Lock	1
18	302-60	Fitting-Lube	1
19	93-6890	Hose Assy	1
20	93-6889	Hose Assy	1
21	340-103	Fitting (Incl. Ref. #40 & 41)	1
22	340-92	Fitting-Straight (Incl. Ref. #40 & 41)	1

Ref. No.	Part No.	Description	No. Used
23	93-6869	Cylinder-Hydraulic Asm	1
24	3-0348	Bushing	2
26	55-4300	Decal-Warning	1
28	3256-26	Washer-Fit	2
29	93-6926	Pin-Clevis	1
30	322-4	Screw-HH	1
31	3253-4	Washer-Spring Lock	1
32	322-26	Screw-HH	1
33	3253-4	Washer-Spring Lock	1
34	3256-57	Washer-Fit	1
35	94-3635	Lift Arm Assembly Rear (Incl. Ref. #18, 24 & 26)	1
36	256-115	Washer-Thrust	1
37	92-1815	Rod-Pivot	1
38	3256-6	Washer-Fit	1
39	3234-32	Screw-HH	1
40	237-78	Seal-O-Ring	2
41	237-21	Seal-O-Ring	2



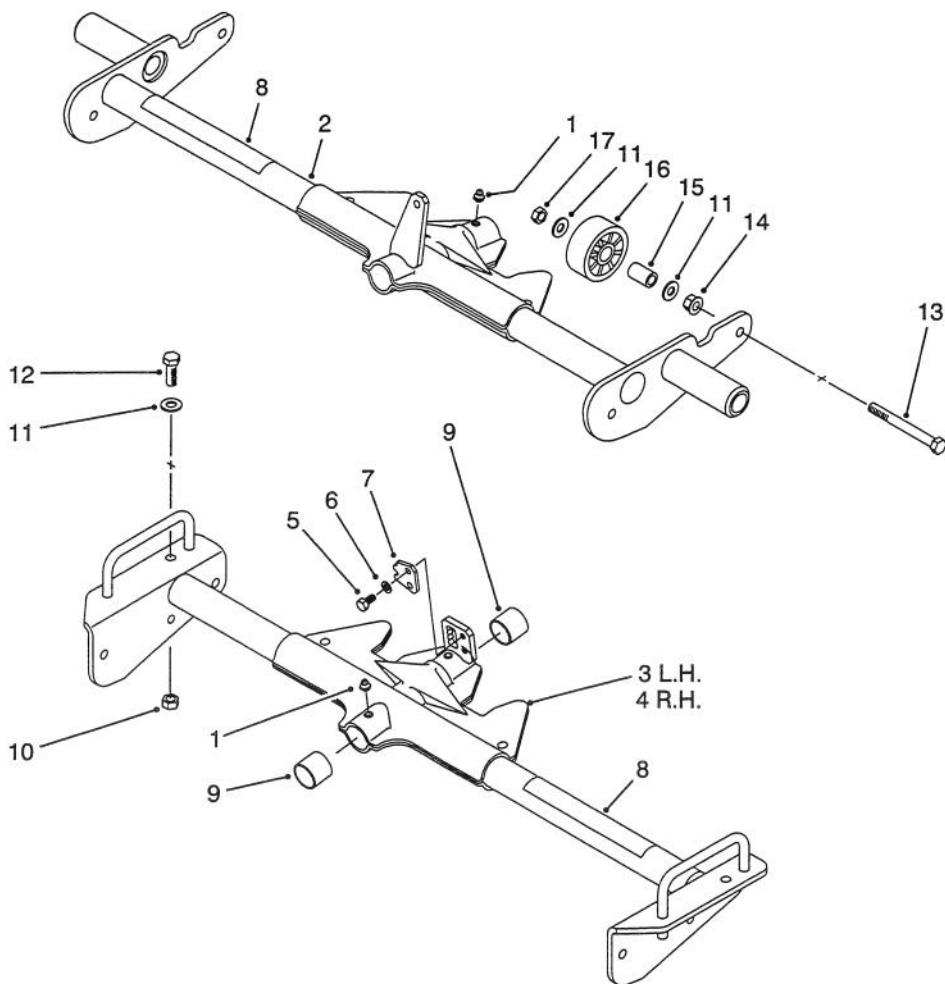
T-2200

HYDRAULIC CYLINDER ASSEMBLY NO. 93-6869

Ref. No.	Part No.	Description	No. Used
1	302-58	Fitting-Grease	1
2	94-3620	Barrel	1
3	32152-10	Nut-Lock	1
4	94-3616	Piston	1
5		Uniring	1
6		Seal-O-Ring	1
7	94-3618	Shaft	1
8		Seal-O-Ring	1
9		Washer-Backup	1

Ref. No.	Part No.	Description	No. Used
10	94-3615	Head	1
11	94-3638	Ring-Retaining	1
12		Seal-Dust	1
13	3220-6	Nut-Hex.	1
14	94-3617	Clevis-Rod	1
*	94-3619	Repair Kit (Incl. Ref. #1, 5-6, 8-9 & 12)	1

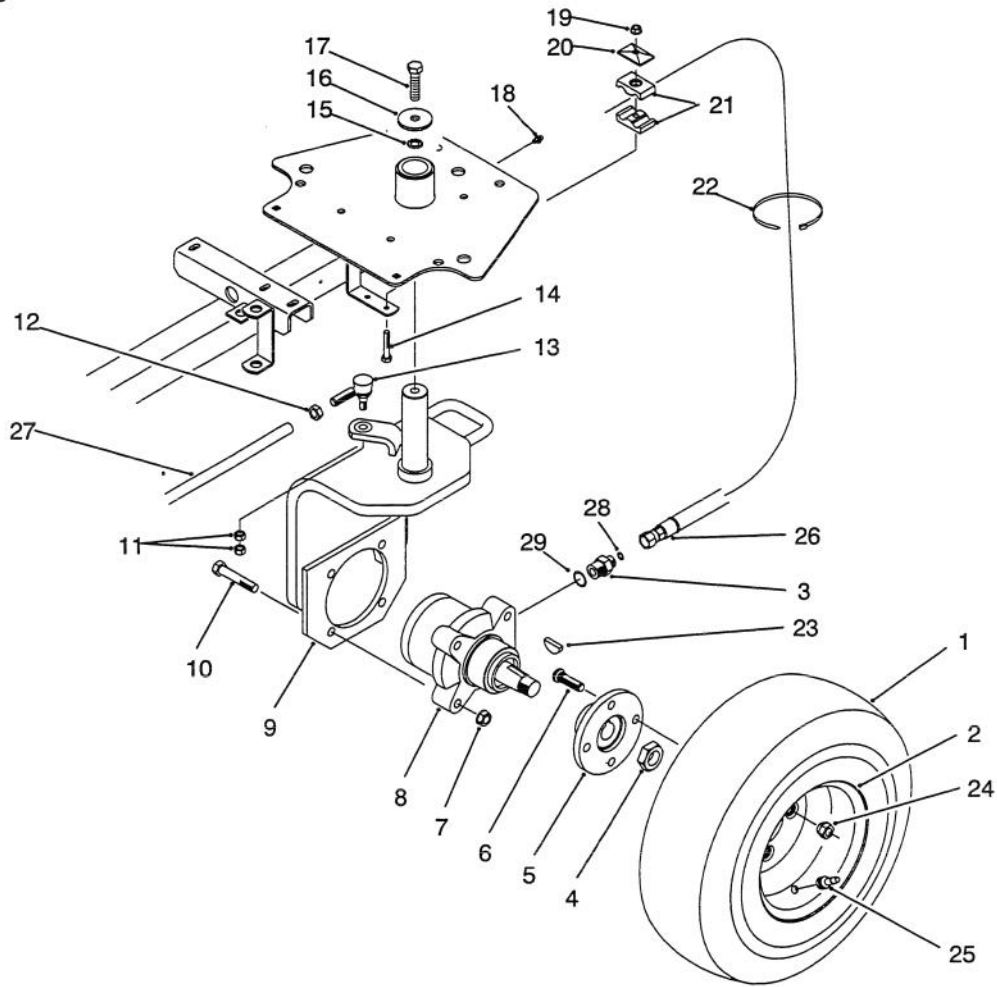
*Not Illustrated



T-2173

CUTTING UNIT CARRIER FRAMES

Ref. No.	Part No.	Description	No. Used	Ref. No.	Part No.	Description	No. Used
1	302-5	Fitting-Grease	3	8	93-6900	Decal-Warning	3
2	94-3629	Carrier Frame Assy. Rear (Incl. Ref. #1, 8 & 9)	1	9	3-0348	Bushing-Sleeve	6
3	94-3627	Carrier Frame Assembly LH (Incl. Ref. #1, 8 & 9)	1	10	3296-22	Nut-Lock	2
4	94-3628	Carrier Frame Assembly RH (Incl. Ref. #1, 8 & 9)	1	11	3256-24	Washer-Flat	6
5	321-2	Screw-Cap Hex. Hd.	4	12	323-7	Screw-Cap Hex. Hd.	2
6	3253-3	Washer-Lock	4	13	323-57	Screw-Cap Hex. Hd.	2
7	61-3600	Tab-Lift	2	14	32128-43	Nut-Flange Lock	2
				15	59-2580	Spacer	2
				16	82-4910	Roller	2
				17	3296-59	Nut-Lock	2

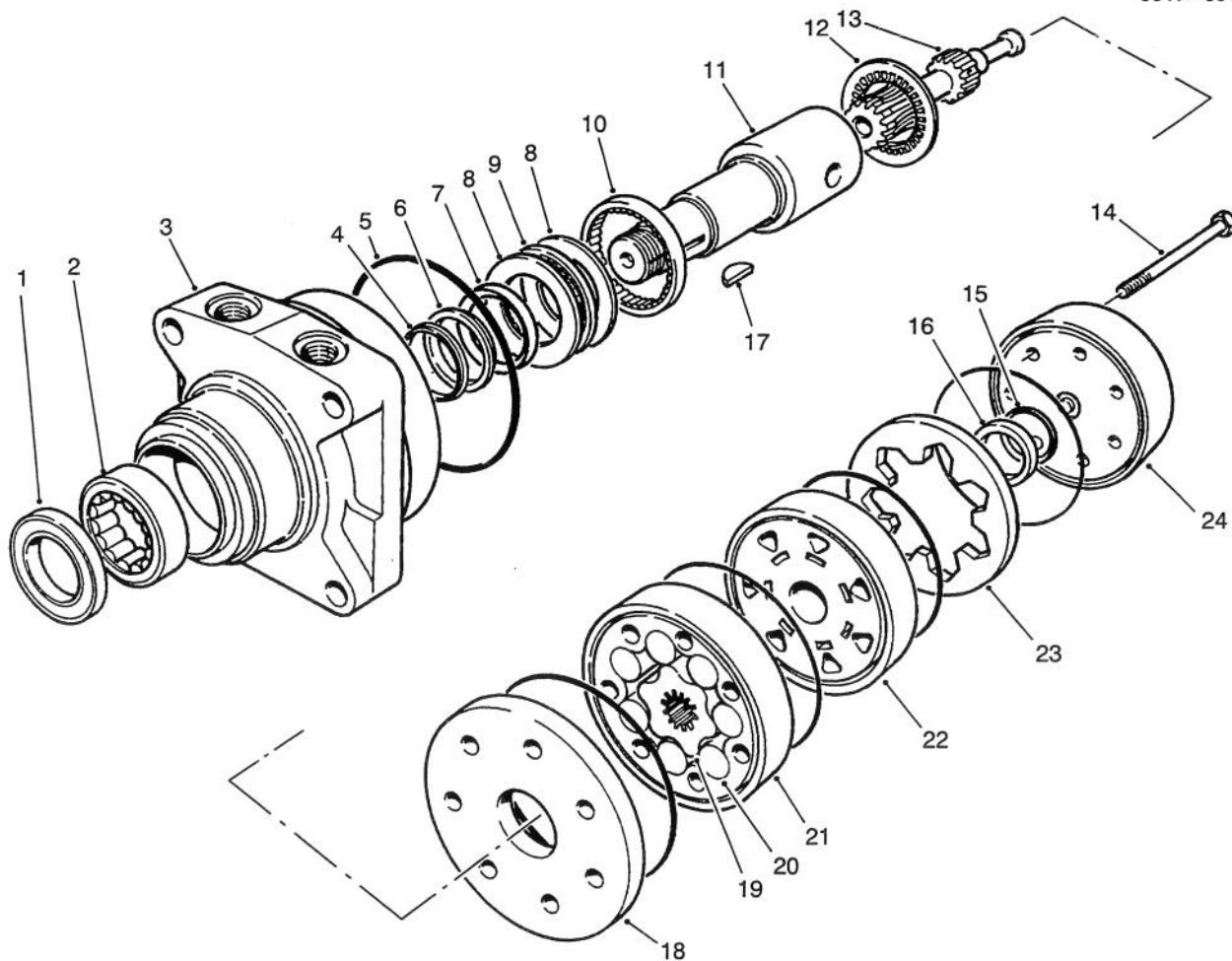


T-2154

REAR WHEEL ASSEMBLY

Ref. No.	Part No.	Description	No. Used
1	93-6880	Tire	1
2	93-6881	Rim	1
3	340-6	Fitting-ORS (Incl. Ref. #28 & 29)	2
4	26-3790	Nut-Lock	1
5	10-6870	Hub-Wheel	1
6	10-6830	Stud-Drive Type	4
7	3296-23	Nut-Hex Lock	4
8	75-9990	Motor-Hydraulic (Incl. Ref. #23)	1
9	93-6782	Fork-Rear Wheel	1
10	325-11	Screw-HH	4
11	3220-3	Nut-HJ	2
12	3220-12	Nut-Hex Jam	1
13	21-0141	Socket Assy-RH	1
14	322-9	Screw-HH	1

Ref. No.	Part No.	Description	No. Used
15	3255-2	Washer-Lock Ext Tooth	1
16	75-7730	Washer-Thrust	1
17	325-6	Screw-HH	1
18	302-5	Ftg-Grease Str	1
19	3296-29	Nut-Hex Lock	1
20	69-9760	Plate-Cover	1
21	56-7976	Clamp-Tube	2
22	3290-379	Tie-Cable	1
23	3257-42	Key	1
24	242-50	Nut-Lug	4
25	232-27	Stem-Valve	1
26	93-6843	Hose-Hydraulic	2
27	61-2070	Link-Steering	1
27	237-30	Seal-O-Ring	2
28	237-80	Seal-O-Ring	2



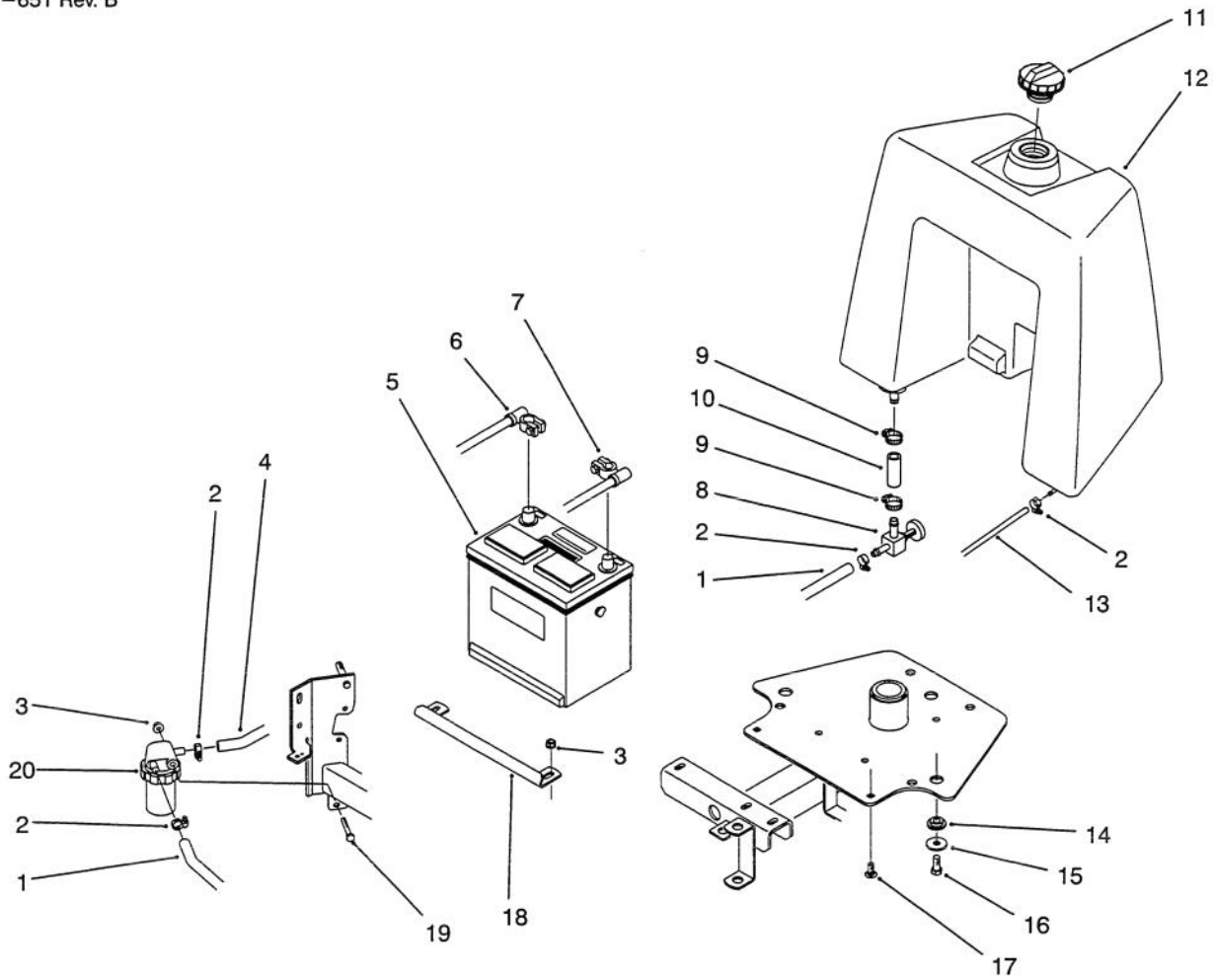
T-0987

HYDRAULIC DRIVE MOTOR NO. 75-9990

Ref. No.	Part No.	Description	No. Used
1		Seal-Dirt & Water	1
2		Bearing	1
3		Housing	1
4		Washer-Backup	1
5		Seal Rings	5
6		Washer-Backup	1
7		Seal-Inner	1
8		Washer-Thrust	2
9		Bearing-Thrust	1
10		Bearing	1
11	76-0860	Shaft-Coupling	1
12	76-0850	Bearing-Thrust	1
13	76-0960	Link-Drive	7
14	76-1010	Screw-Cap, Hex. Hd.	1
15		Seal-Commutator	1
16		Commutator	1

Ref. No.	Part No.	Description	No. Used
17	3257-42	Key-Woodruff	1
18	76-0870	Plate-Wear	1
19		Rotor	1
20		Vane	7
21		Stator	1
22	76-0840	Manifold	1
23		Ring-Commutator	1
24	76-0940	End Cover Assembly	1
*	76-0970	Rotor Set (Incl. Ref. #19-21)	1
*	76-0880	Commutator Assembly (Incl. Ref. #15, 16 & 23)	1
*	76-0800	Seal Kit (Incl. Ref. #1, 4-7 & 15)	1
*	76-0810	Housing Assembly (Incl. Ref. #2, 3 & 8-10)	1

*Not Illustrated



T-2156

FUEL SYSTEM ASSEMBLY

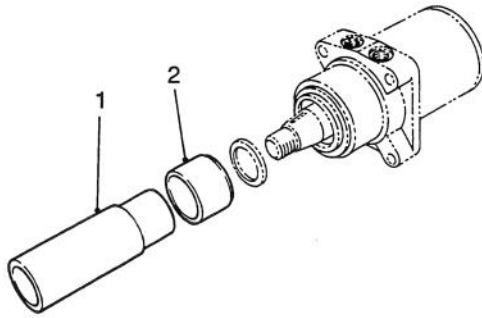
Ref. No.	Part No.	Description	No. Used
1	23-2140	Hose-Fuel	1
2	2412-108	Clamp-Hose	4
3	32128-44	Nut-Flange	3
4	51-0670	Hose-Fuel Line	1
5	83-9000	Battery	1
6	93-6775	Cable-Battery-Pos	1
7	83-9210	Cable-Battery-Neg	1
8	56-2520	Fitting-Fuel Shutoff	1
9	2412-36	Clamp-Hose	2
10	56-2230	Hose-Fuel	1

Ref. No.	Part No.	Description	No. Used
11	93-3102	Fuel Cap-Diesel	1
12	83-8720	Tank-Fuel	1
13	75-4703	Hose-Fuel Return	1
14	240-11	Grommet	3
15	63-8410	Washer-Flat	3
16	323-5	Screw-HH	3
17	3230-1	Screw-Carriage	2
18	83-9240	Bracket-Battery	1
19	322-12	Screw HH	1
†20		Filter-Fuel	1

†Obtain from your local Perkins Dealer.

SPECIAL TOOLS

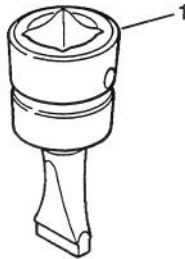
DRIVE MOTOR SEAL INSTALLATION TOOL NO. *19-2660



T-0728

Ref. No.	Part No.	Description	No. Used
1		Driver-Seal	1
2		Holder-Seal	1

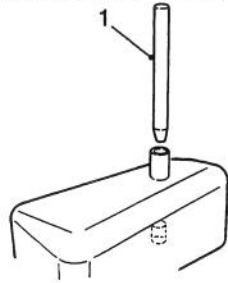
BEDKNIFE SCREW TOOL NO. *TOR510880



T-0729

Ref. No.	Part No.	Description	No. Used
1		Tool-Bedknife Screw	1

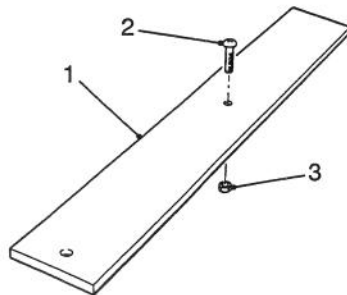
HYDRAULIC OIL RESERVOIR PLUG NO. *88-9220



T-1213

Ref. No.	Part No.	Description	No. Used
1		Plug-Reservoir	1

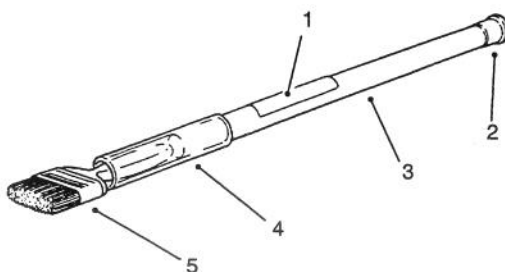
GAUGE BAR ASSEMBLY NO. *TOR138199



T-1151

Ref. No.	Part No.	Description	No. Used
1	65-8320	Bar-Height-Of-Cut	1
2	32122-2	Screw-Round Hd.	1
3	3219-14	Nut-Hex.	1

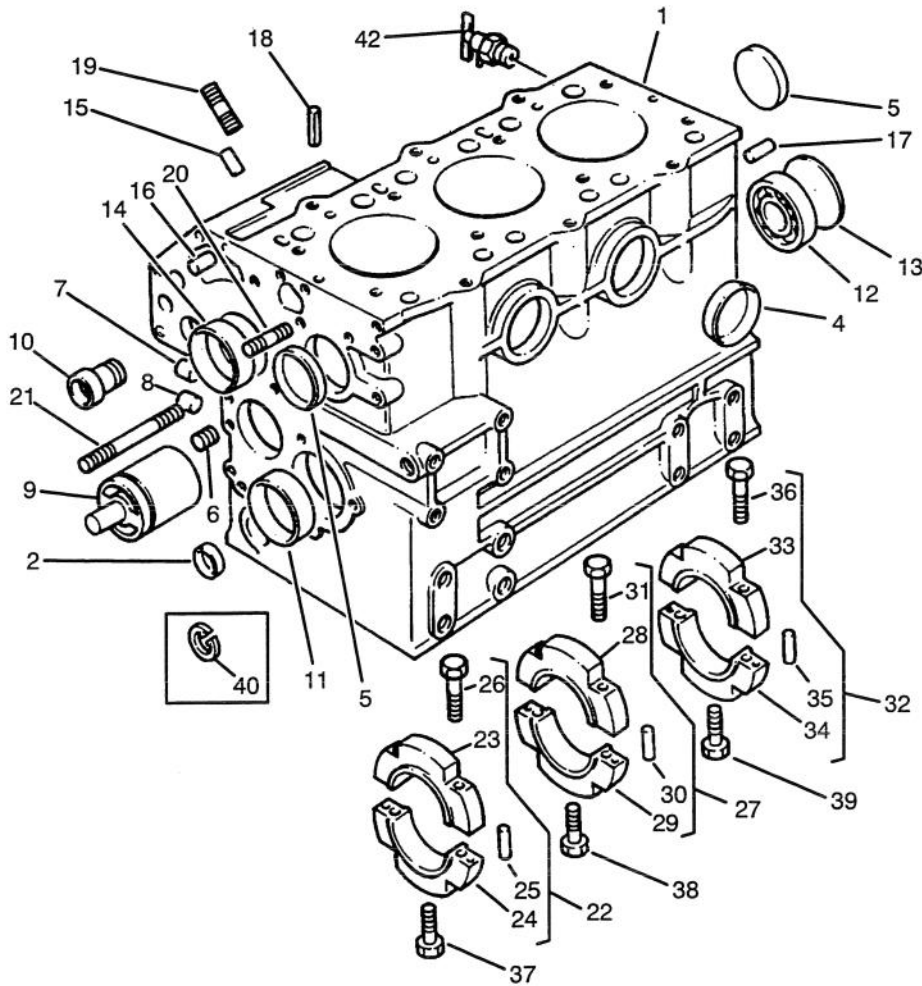
BACKLAPPING BRUSH ASSEMBLY NO. *TOR299100



T-0731

Ref. No.	Part No.	Description	No. Used
1	12-9140	Decal	1
2	2410-18	Plug	1
3	29-9080	Handle	1
4	29-9090	Hose-Handle	1
5	36-4310	Brush	1

*Obtain these items directly from OTC 2013 4th St. Owatonna, MN. 55060 1-800-533-0492
(in Minnesota and Canada 1-507-455-7050) Fax. 507-455-7011.



T-1377A

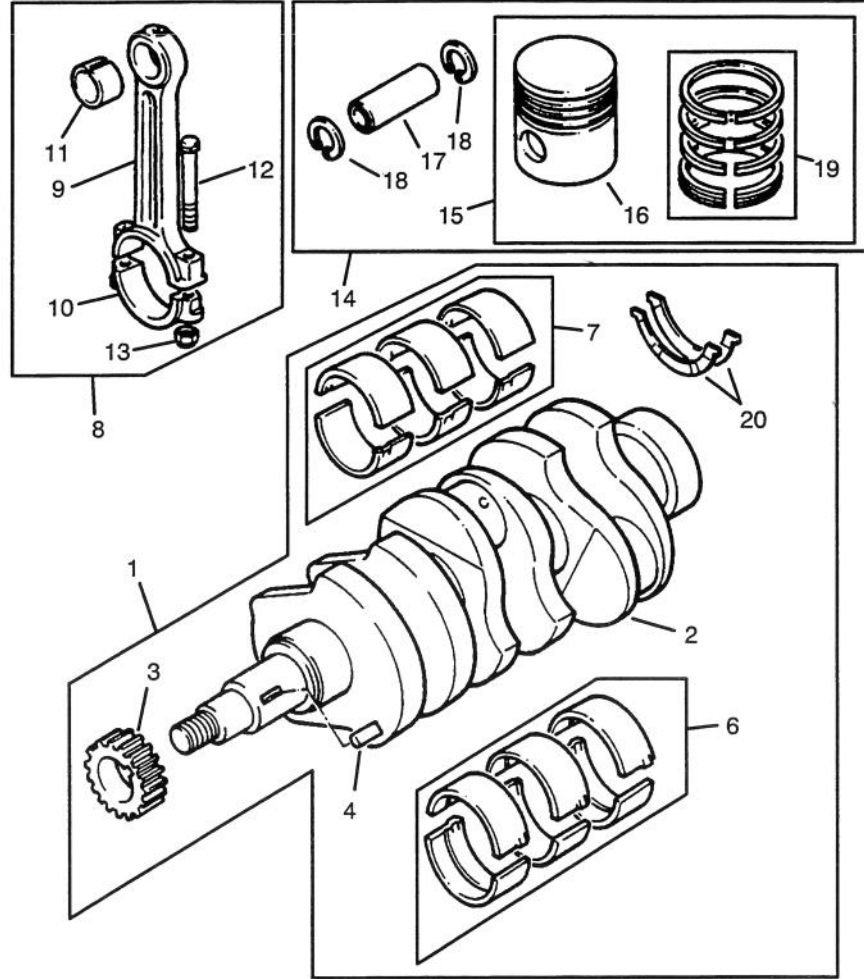
CYLINDER BLOCK ASSEMBLY

Ref. No.	Part No.	Description	No. Used
1	110186150	Kit - Cylinder Block	1
2	064200015	Plug	1
4	064200040	Plug	2
5	064200040	Plug	2
6	198466050	Plug	3
7	198466010	Plug	4
8	198466070	Plug	2
9	165296160	Shaft	1
10	198517090	Bush	1
11	198517300	Bush	1
*	198517304	Bush, 0.25mm u/s	1
*	198517307	Bush, 0.50mm u/s	1
12	040106203	Bearing - Ball	1
13	064100045	Plug	1
14	042303015	Bush	1
15	030500512	Dowel	2
16	030500616	Dowel	2
17	030500820	Dowel	2
18	030309005	Pin	2
19	012100620	Stud	2
20	012100635	Stud	1
21	012100660	Stud	1
22	110156220	Holder Incl. Ref. #23 & 24)	1

Ref. No.	Part No.	Description	No. Used
23		Cap	1
24		Cap	1
25	030500612	Dowel	2
26	010810840	Screw	2
27	110156230	Holder Incl. Ref. #28 & 29)	1
28		Cap	1
29		Cap	1
30	030500612	Dowel	2
31	010810840	Screw	2
32	110156240	Holder Incl. Ref. #33 & 34)	1
33		Cap	1
34		Cap	1
35	030500612	Dowel	2
36	010810840	Screw	2
37	011310850	Screw	1
38	011310850	Screw	1
39	010700845	Screw	2
40	036509005	Circlip	1
41	064200018	Plug	2
42	198736052	Cock	1
*	195906840	Kit - Gasket	1

NOTE: Obtain replacement parts from your local Perkins Dealer.

*Not Illustrated



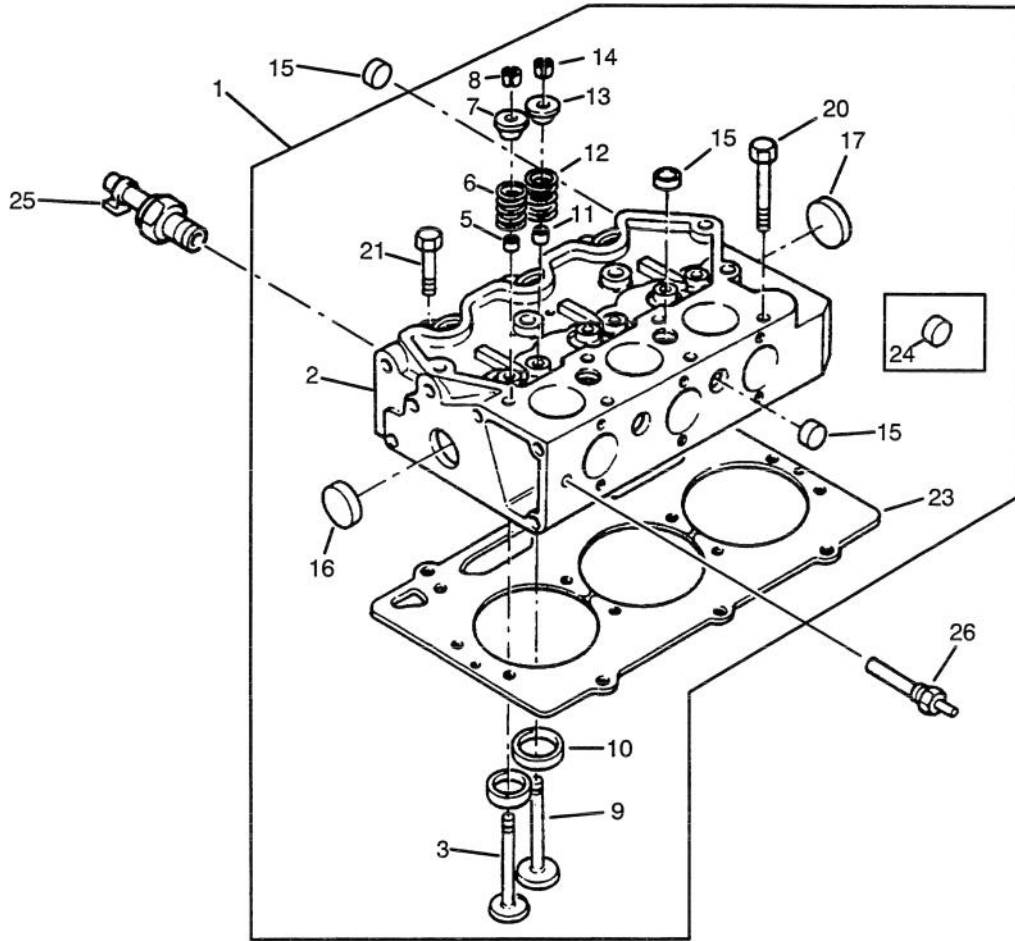
T-2174

CRANKSHAFT ASSEMBLY

Ref. No.	Part No.	Description	No. Used	Ref. No.	Part No.	Description	No. Used
1	115236020	Kit - Crankshaft Inc. Ref. #2)	1	11	198517325	Bushing	1
2		Crankshaft	1	12	115176130	Screw	2
3	115276210	Gear	1	13	020109103	Nut	2
4	030509020	Key	1	14	115017090	Kit - Piston, Std.	3
6	198586030	Kit - Bearing, Std.	1	*	115017100	Kit - Piston, 0.5mm o/s	1
*	198586034	Kit - Bearing, 0.25mm u/s	1	15	115016960	Kit - Piston, Std. Incl. Ref. #16)	1
*	198586037	Kit - Bearing, 0.50mm u/s	1	*	115016970	Kit - Piston, 0.5mm o/s Incl. Ref. #16)	1
7	198586060	Kit - Bearing, Std.	1	16		Piston	1
*	198586064	Kit - Bearing, 0.25mm u/s	1	17	115326260	Pin	1
*	198586067	Kit - Bearing, 0.50mm u/s	1	18	036500019	Circlip	2
8	115026240	Connecting Rod Assembly Incl. Ref. # 9 & 10)	3	19	115107400	Kit - Piston Ring, Std.	1
9		Rod	1	*	115107410	Kit - Piston Ring, 0.5mm o/s	1
10		Cap	1				

NOTE: Obtain replacement parts from your local Perkins Dealer.

*Not Illustrated



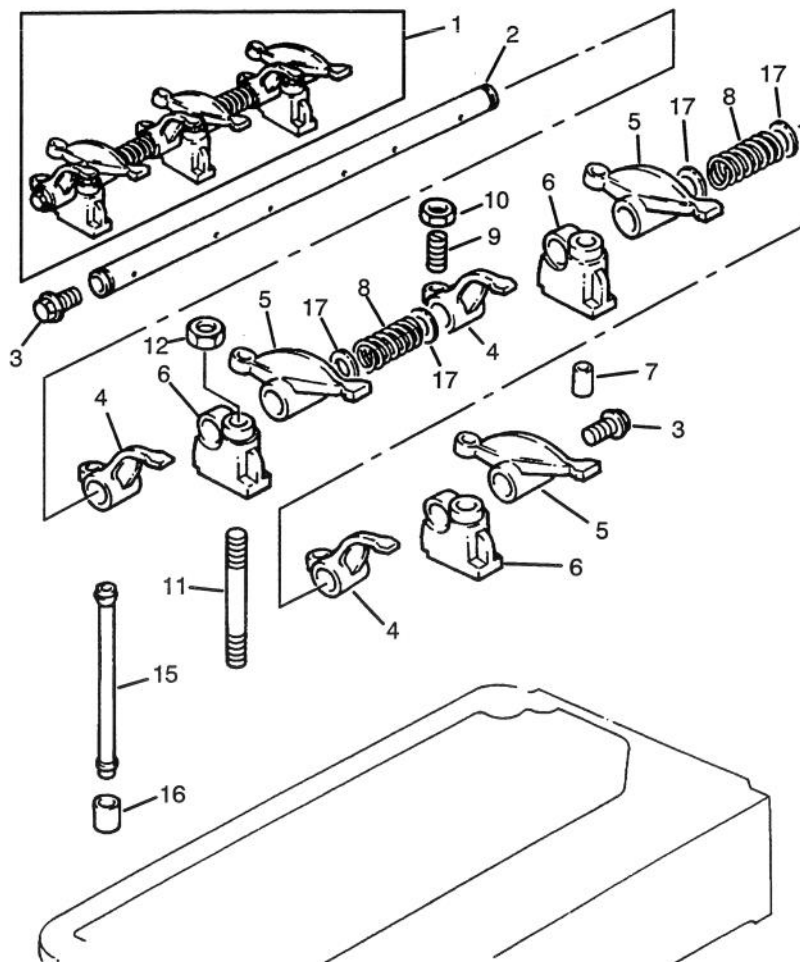
T-2175

CYLINDER HEAD ASSEMBLY

Ref. No.	Part No.	Description	No. Used	Ref. No.	Part No.	Description	No. Used
1	111016911	Kit - Cylinder Head	1	13	120186100	Cap	3
2	111086030	Kit - Cylinder Head	1	14	120226080	Cotter	6
3	120166280	Valve Inlet	3	15	198466070	Plug	4
5	120406080	Seal	3	16	064200022	Plug	3
6	198217070	Spring	3	17	064200022	Plug	3
7	120186100	Cap	3	20	111136340	Screw	11
8	120226080	Cotter	6	21	111136350	Screw	3
9	120176290	Valve Exhaust	3	23	111147400	Gasket, o/s 1.3mm	1
10	110136290	Insert	3	24	064200018	Plug	2
11	120406080	Seal	3	25	185246060	Switch - Oil Pressure	1
12	198217070	Spring	3	26	385720230	Sender - Temperature	1

NOTE: Obtain replacement parts from your local Perkins Dealer.

*Not Illustrated

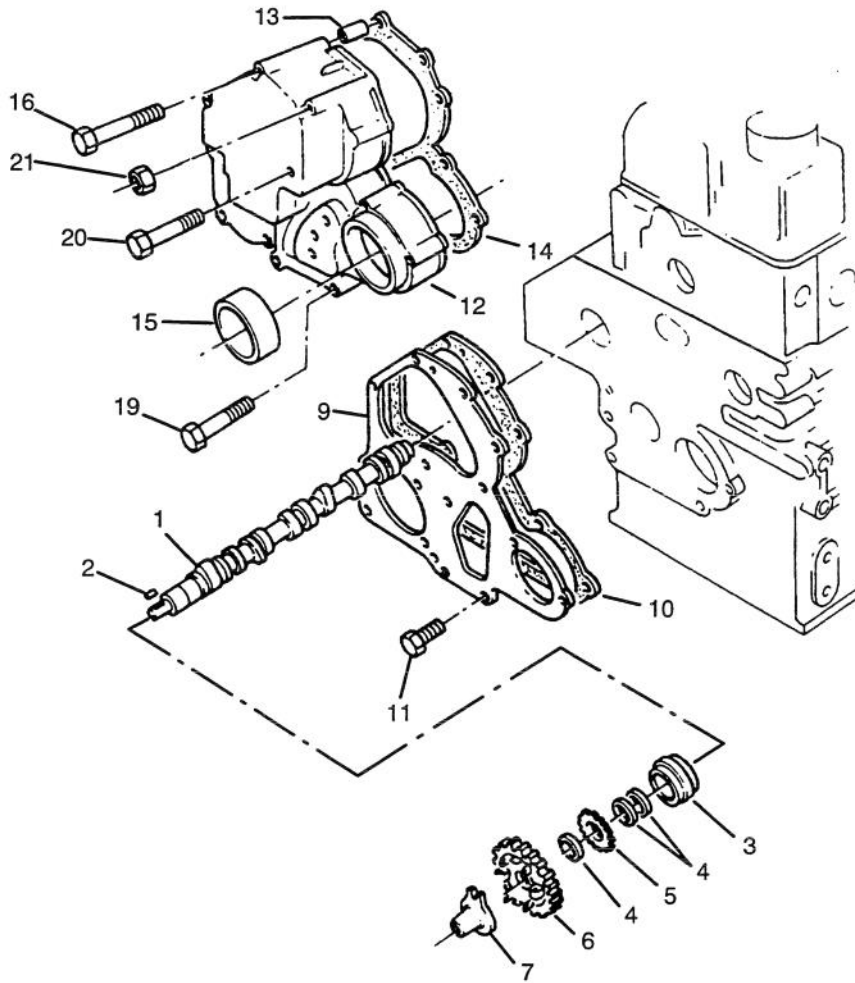


T-1380

ROCKER ARM ASSEMBLY

Ref. No.	Part No.	Description	No. Used	Ref. No.	Part No.	Description	No. Used
1	120036330	Rocker Shaft Assembly	1	9	199486220	Adjusting Screw	6
2	120316190	Shaft	1	10	020109076	Nut	6
3	064609006	Plug	2	11	012109177	Stud	3
4	120356120	Lever	3	12	023100008	Nut	3
5	120356110	Lever	3	15	120456240	Rod	6
6	120346170	Bracket	3	16	120116100	Tappet	6
7	030300325	Pin	1	17	199280280	Washer	4
8	198217080	Spring	2				

NOTE: Obtain replacement parts from your local Perkins Dealer.



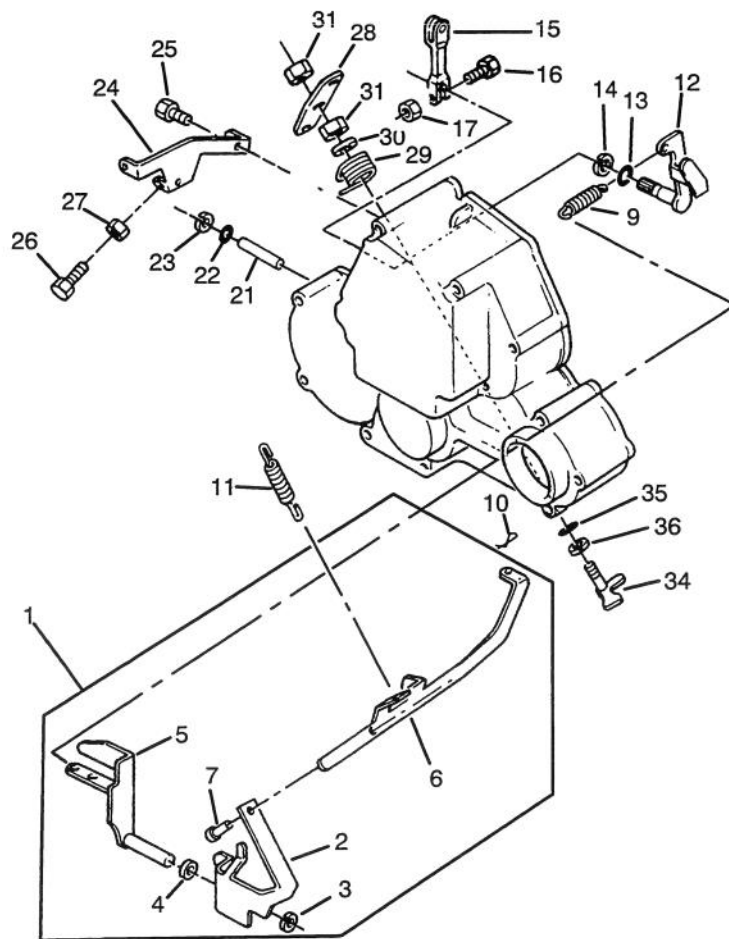
T-1381

CAMSHAFT ASSEMBLY

Ref. No.	Part No.	Description	No. Used
1	120026121	Camshaft	1
2	034100508	Key	1
3	040109059	Bearing	1
4	199216230	Spacer	3
5	120736081	Gear	1
6	120016030	Gear	1
7	125256120	Tappet	1
9	165166260	Plate	1
10	165996400	Joint	1

Ref. No.	Part No.	Description	No. Used
11	011300612	Bolt	3
12	165106131	Cover	1
13	030300414	Pin	1
14	165996410	Joint	1
15	198636090	Seal	1
16	011300680	Screw	2
19	011300640	Screw	4
20	011300660	Screw	2
21	023100006	Nut	1

NOTE: Obtain replacement parts from your local Perkins Dealer.

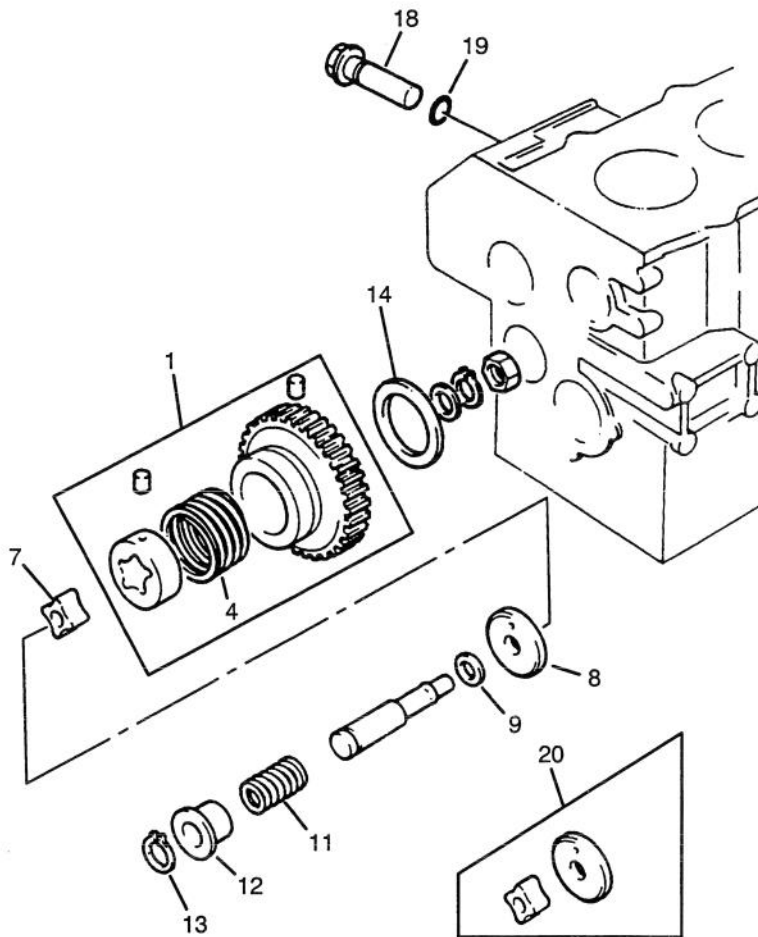


T-1382

TIMING COVER ASSEMBLY

Ref. No.	Part No.	Description	No. Used	Ref. No.	Part No.	Description	No. Used
1	125046250	Lever (Incl. Ref. #2, 6 & 7)	1	17	023100006	Nut	1
2		Lever	1	21	125116130	Shaft	1
3	036800008	Circlip	1	22	052100030	Seal - O-Ring	1
4	026200010	Washer	1	23	036800005	Circlip	1
5	125406071	Lever	1	24	125976120	Stay	1
6		Link	1	25	011300616	Screw	2
7		Pin	1	26	010109264	Screw	2
9	198217110	Spring	1	27	023100006	Nut	2
10	031100004	Pin	1	28	125176080	Lever	1
11	198216731	Spring	1	29	198216760	Spring	1
12	125156170	Arm	1	30	026200008	Washer	1
13	052100070	O Ring	1	31	020300008	Nut	2
14	036800008	Circlip	1	34	125156180	Arm	1
15	125416020	Lever	1	35	052100050	O Ring	1
16	010110630	Screw	1	36	036800006	Circlip	1

NOTE: Obtain replacement parts from your local Perkins Dealer.



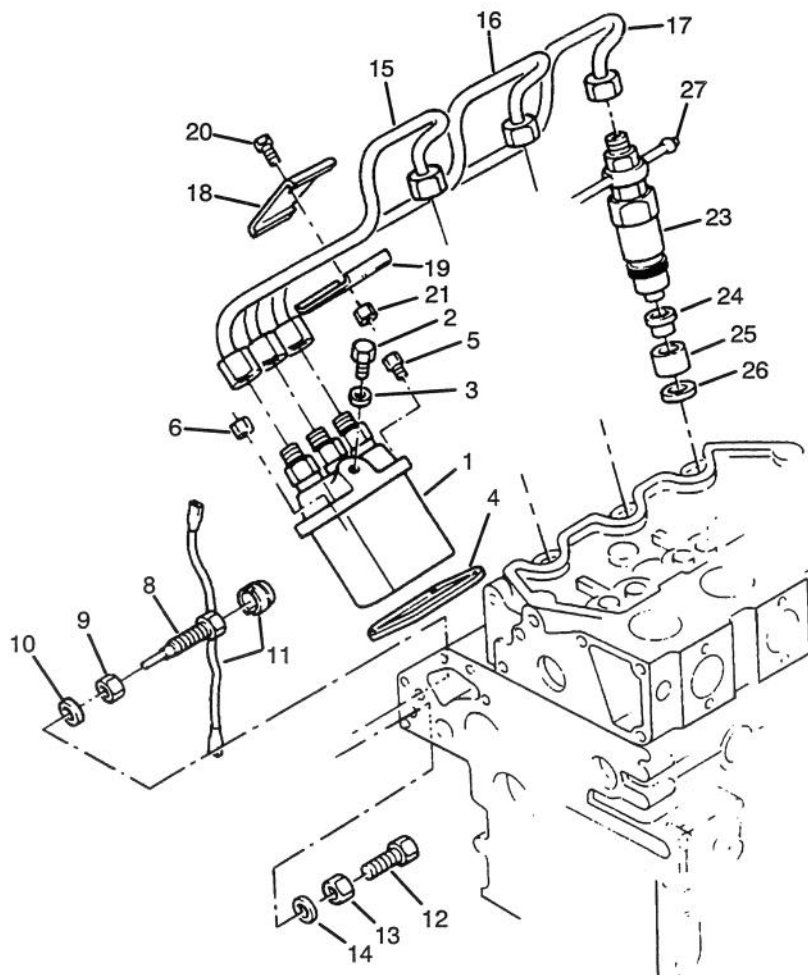
T-1383

OIL PUMP ASSEMBLY

Ref. No.	Part No.	Description	No. Used	Ref. No.	Part No.	Description	No. Used
1	165026110	Gear	1	11	198216720	Spring	1
4	198216821	Spring	1	12	199236540	Collar	1
7	140166130	Rotor	1	13	036800010	Circlip	1
8	140116140	Cover	1	14	199266180	Washer	1
9	199286150	Shim, 0.10mm o/s	1	18	140036120	Valve	1
*	199286160	Shim, 0.15mm o/s	1	19	052100150	Seal - O-Ring	1
*	199286170	Shim, 0.20mm o/s	1	20	140186010	Repair Kit	1
*	199286180	Shim, 0.50mm o/s	1				

NOTE: Obtain replacement parts from your local Perkins Dealer.

*Not Illustrated



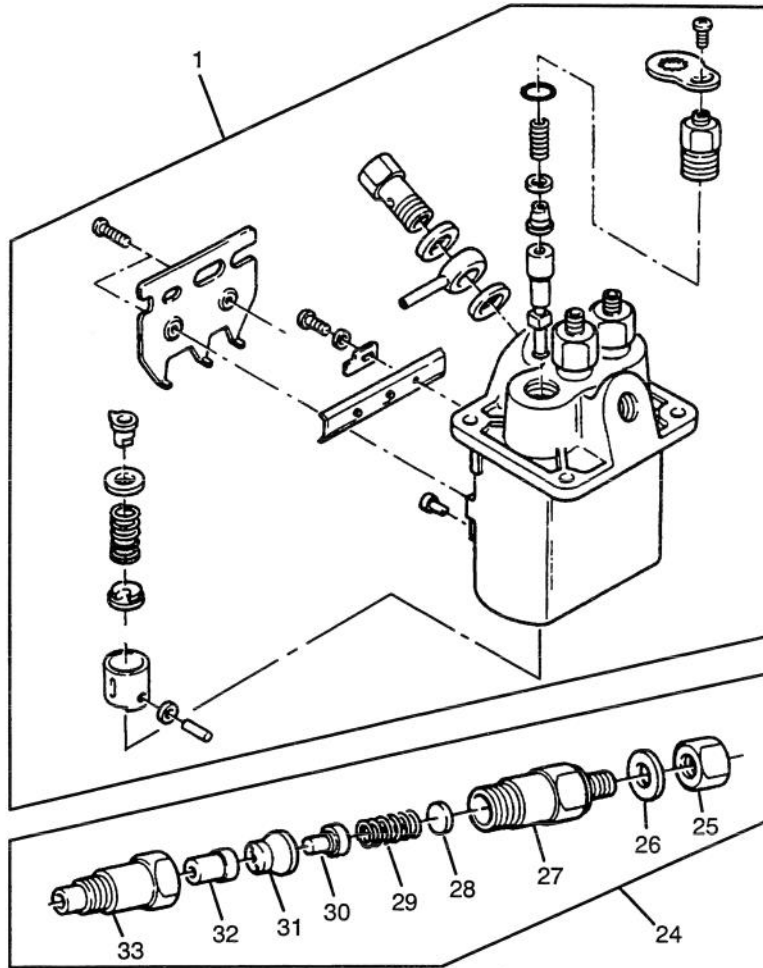
T-1384

FUEL INJECTION SYSTEM ASSEMBLY

Ref. No.	Part No.	Description	No. Used	Ref. No.	Part No.	Description	No. Used
1	131017390	Injection Pump	1	14	025100010	Washer	1
2	131236280	Screw	1	15	131507010	Injection Pipe No. 1 Cyl.	1
3	025100006	Washer	1	16	131507020	Injection Pipe No. 2 Cyl.	1
4	131426300	Shim	1	17	131507030	Injection Pipe No. 3 Cyl.	1
5	011300620	Screw	2	18	199106020	Damper	2
6	023100006	Nut	2	19	199106020	Damper	2
8	131046160	Screw	1	20	010100625	Screw	2
*	131046110	Screw	1	21	023100006	Nut	2
9	023109002	Nut	1	23	131406340	Atomiser	3
10	025100010	Washer	1	24	131426200	Gasket	3
11	198236030	Wire	1	25	111316280	Insert	3
12	010109271	Screw	1	26	198996090	Seal	3
13	023109002	Nut	1	27	131606260	Pipe	1

NOTE: Obtain replacement parts from your local Perkins Dealer.

*Not Illustrated



T-2176

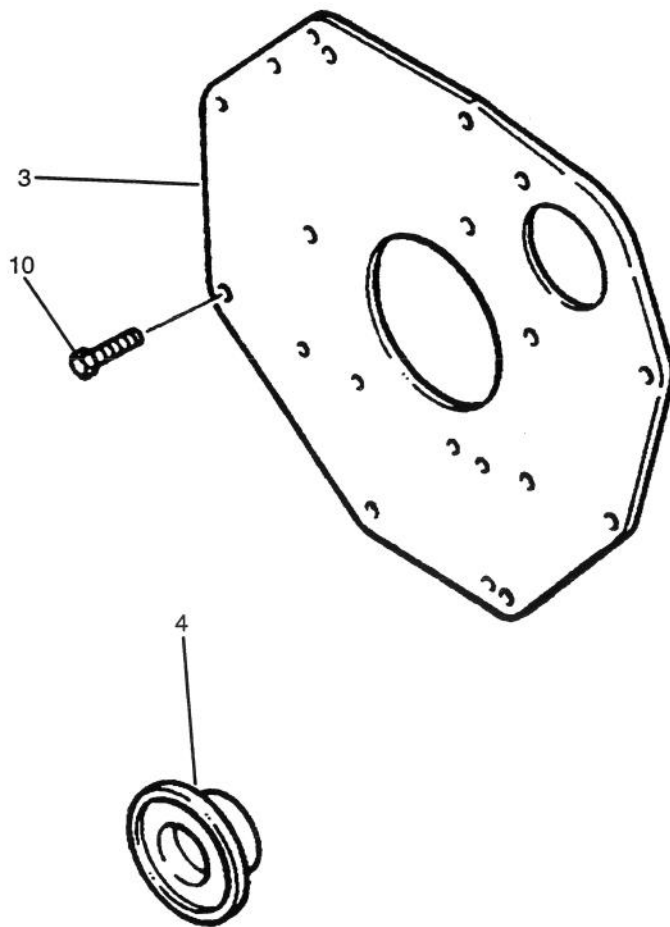
INJECTION PUMP ASSEMBLY

Ref. No.	Part No.	Description	No. Used
1	131017390	Injection Pump	1
24	131406340	Atomiser	3
25	131446069	Nut	1
26	131426210	Washer	1
27	131446065	Body	1
28	131437250	Shim, 0.90mm o/s	1
*	131437251	Shim, 0.925mm o/s	1
*	131437252	Shim, 0.95mm o/s	1
*	131437253	Shim, 0.975mm o/s	1
*	131437354	Shim, 1.00mm o/s	1
*	131437255	Shim, 1.025mm o/s	1
*	131437256	Shim, 1.05mm o/s	1
*	131437257	Shim, 1.075mm o/s	1
*	131437258	Shim, 1.10mm o/s	1
*	131437259	Shim, 1.125mm o/s	1
*	131437260	Shim, 1.15mm o/s	1
*	131437261	Shim, 1.175mm o/s	1

Ref. No.	Part No.	Description	No. Used
*28	131437262	Shim, 1.20mm o/s	1
*	131437263	Shim, 1.225mm o/s	1
*	131437264	Shim, 1.250mm o/s	1
*	131437265	Shim, 1.275mm o/s	1
*	131437266	Shim, 1.30mm o/s	1
*	131437267	Shim, 1.325mm o/s	1
*	131437268	Shim, 1.35mm o/s	1
*	131437269	Shim, 1.375mm o/s	1
*	131437270	Shim, 1.40mm o/s	1
*	131437271	Shim, 1.425mm o/s	1
*	131437272	Shim, 1.45mm o/s	1
29	131446066	Spring	1
30	131446070	Pin	1
31	131446068	Spacer	1
32	131416150	Nozzle	1
33	131446067	Nut	1

NOTE: Obtain replacement parts from your local Perkins Dealer.

*Not Illustrated



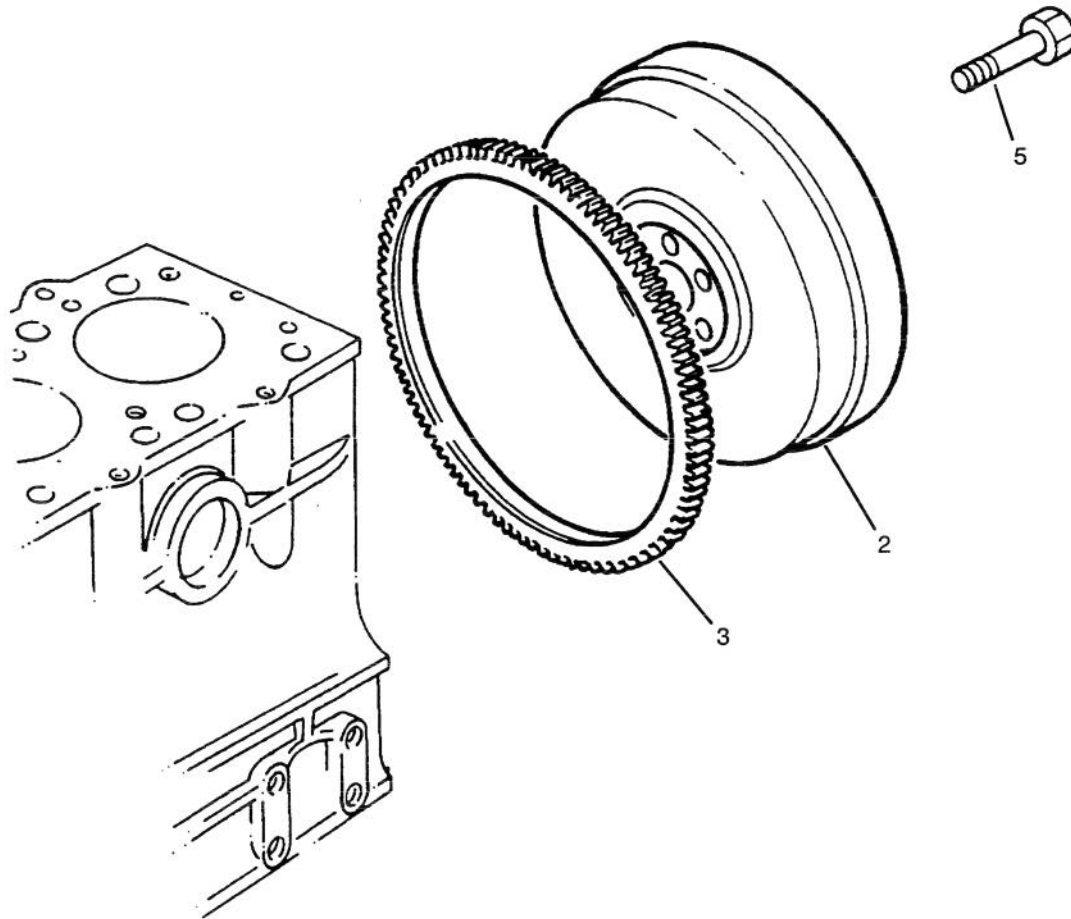
T-1386

REAR PLATE & SEAL

Ref. No.	Part No.	Description	No. Used
3	110366400	Plate	1
4	198636080	Seal	1

Ref. No.	Part No.	Description	No. Used
10	011310816	Screw	10

NOTE: Obtain replacement parts from your local Perkins Dealer.



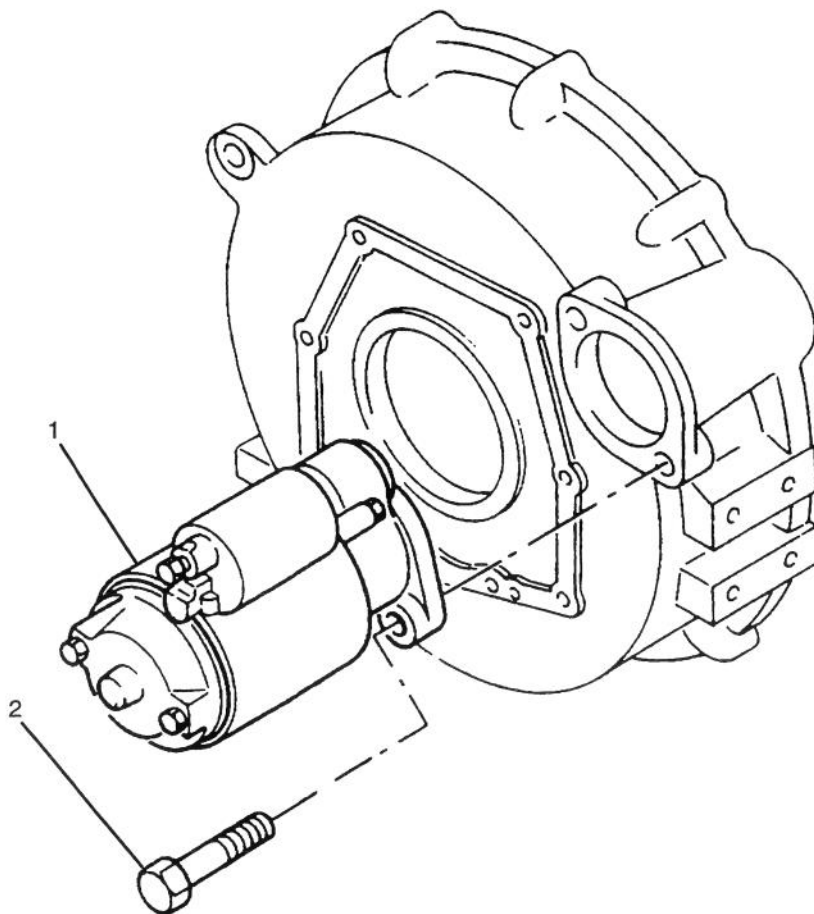
T-1387

FLYWHEEL ASSEMBLY

Ref. No.	Part No.	Description	No. Used
2	115356922	Flywheel	1
3	115376150	Gear - Ring	1

Ref. No.	Part No.	Description	No. Used
5	010109330	Screw	4

NOTE: Obtain replacement parts from your local Perkins Dealer.

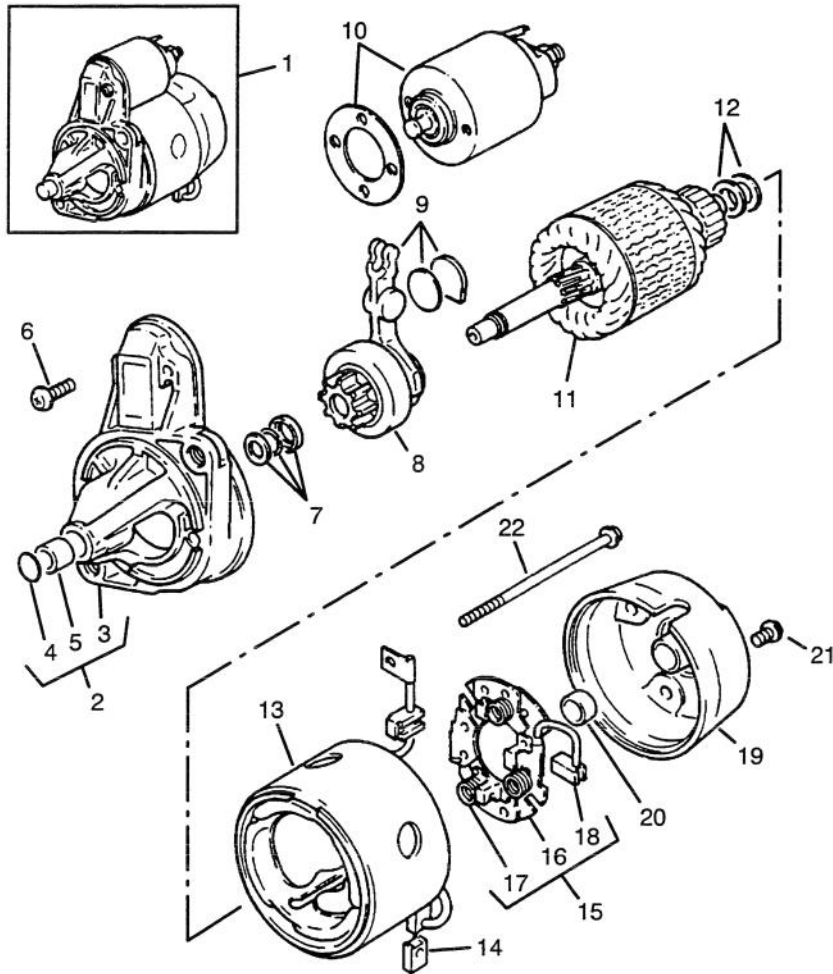


T-1388

STARTER INSTALLATION ASSEMBLY

Ref. No.	Part No.	Description	No. Used	Ref. No.	Part No.	Description	No. Used
1	185086370	Startermotor	1	2	011401020	Screw	2

NOTE: Obtain replacement parts from your local Perkins Dealer.

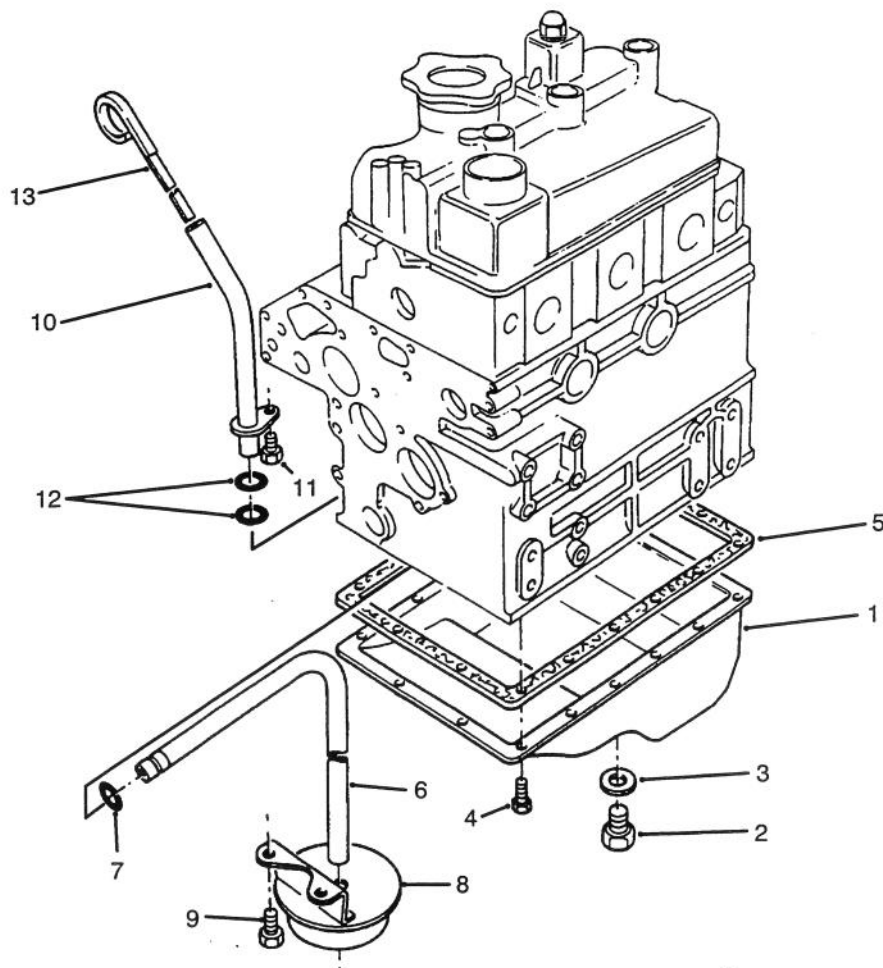


T-1389

STARTER ASSEMBLY

Ref. No.	Part No.	Description	No. Used	Ref. No.	Part No.	Description	No. Used
1	185086370	Startermotor	1	12	185846475	Washer	1
2	185846471	Cover (Incl. Ref. #3 & 4)	1	13	185846476	Yoke	1
3		Cover	1	14	185416400	Brush	1
4		Ring	1	15	185416390	Holder (Incl. Ref. #16)	1
5	185846472	Bush	2	16		Holder	1
6	185846468	Screw	2	17	185886010	Spring	1
7	185846473	Washer	1	18	185416410	Brush	1
8	185866240	Pinion	1	19	185846477	Cover	1
9	185846469	Lever	1	20	185846478	Bushing	1
10	185816220	Switch	1	21	185846468	Screw	3
11	185846474	Armature	1	22	185846470	Screw	2

NOTE: Obtain replacement parts from your local Perkins Dealer.



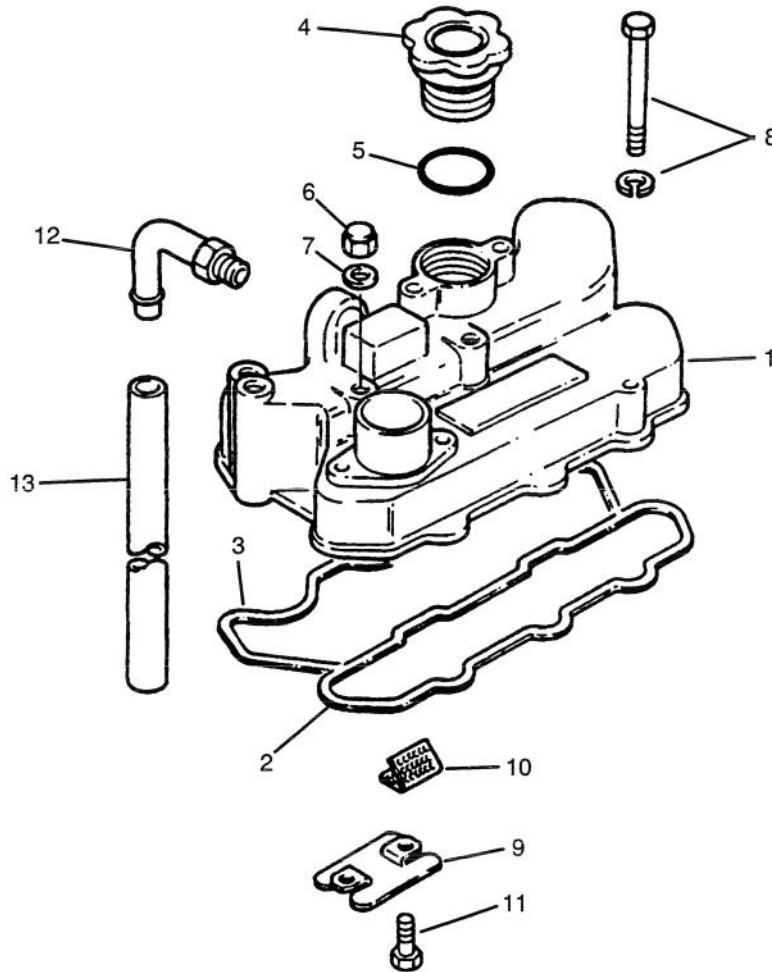
T-1390A

OIL SUMP ASSEMBLY

Ref. No.	Part No.	Description	No. Used	Ref. No.	Part No.	Description	No. Used
1	110706860	Sump	1	8	140406310	Strainer	1
2	010401212	Plug	2	9	011300612	Bolt	2
3	025100012	Washer	2	10	110756380	Tube	1
4	010109235	Screw	18	11	011300812	Screw	1
5	110996590	Gasket	1	*	011300612	Bolt	1
6	140986590	Pipe	1	12	052100100	Seal - O-Ring	2
7	052109076	Seal - O-Ring	1	13	198416371	Dipstick	1

NOTE: Obtain replacement parts from your local Perkins Dealer.

*Not Illustrated



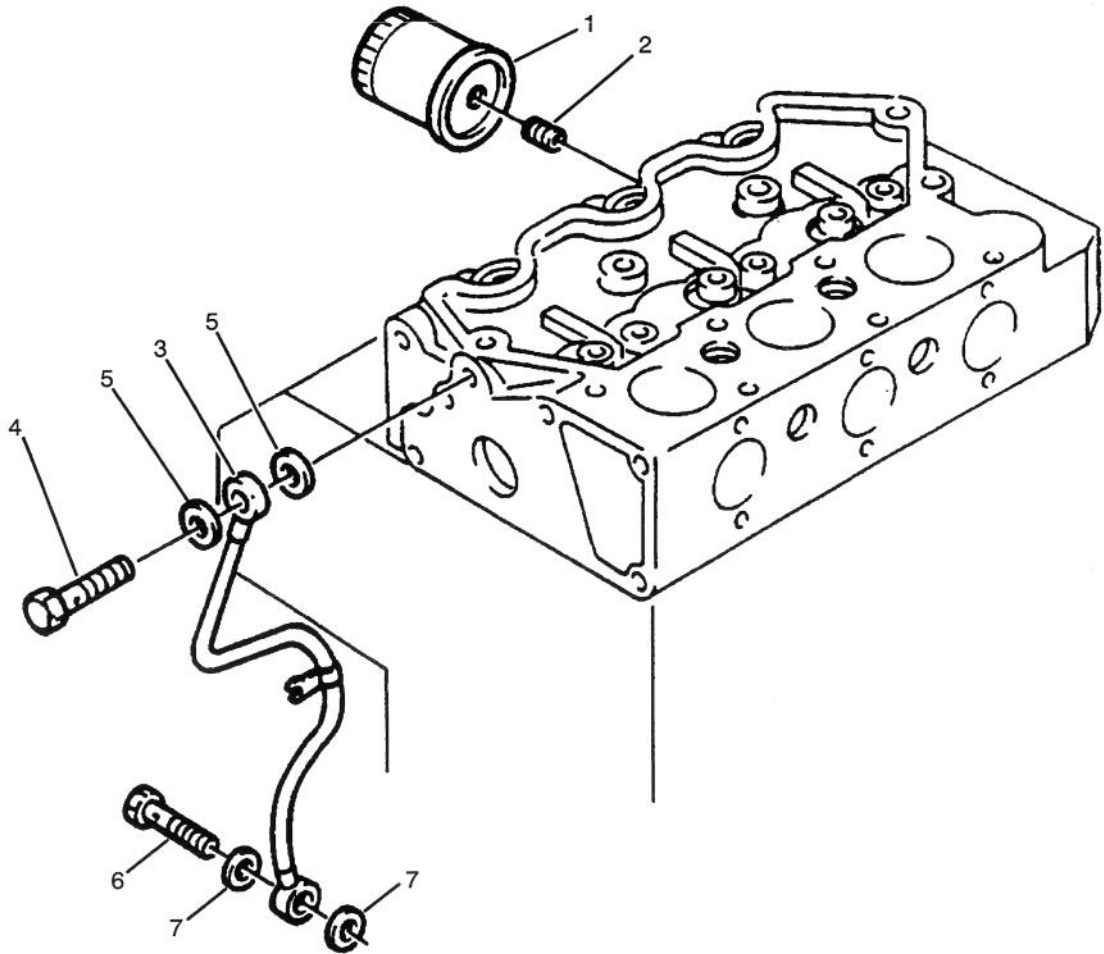
T-1391

VALVE COVER ASSEMBLY

Ref. No.	Part No.	Description	No. Used	Ref. No.	Part No.	Description	No. Used
1	111026371	Cover	1	8	011300650	Screw	2
2	111996330	Gasket	1	9	110666110	Plate	1
3	111996060	Gasket	1	10	110666120	Gauze	1
4	198436010	Cap	1	11	011300612	Bolt	2
5	052100400	Seal	1	12	110986500	Pipe	1
6	024500008	Nut	3	13	068122560	Hose	1
7	198996060	Washer	3				

NOTE: Obtain replacement parts from your local Perkins Dealer.

*Not Illustrated



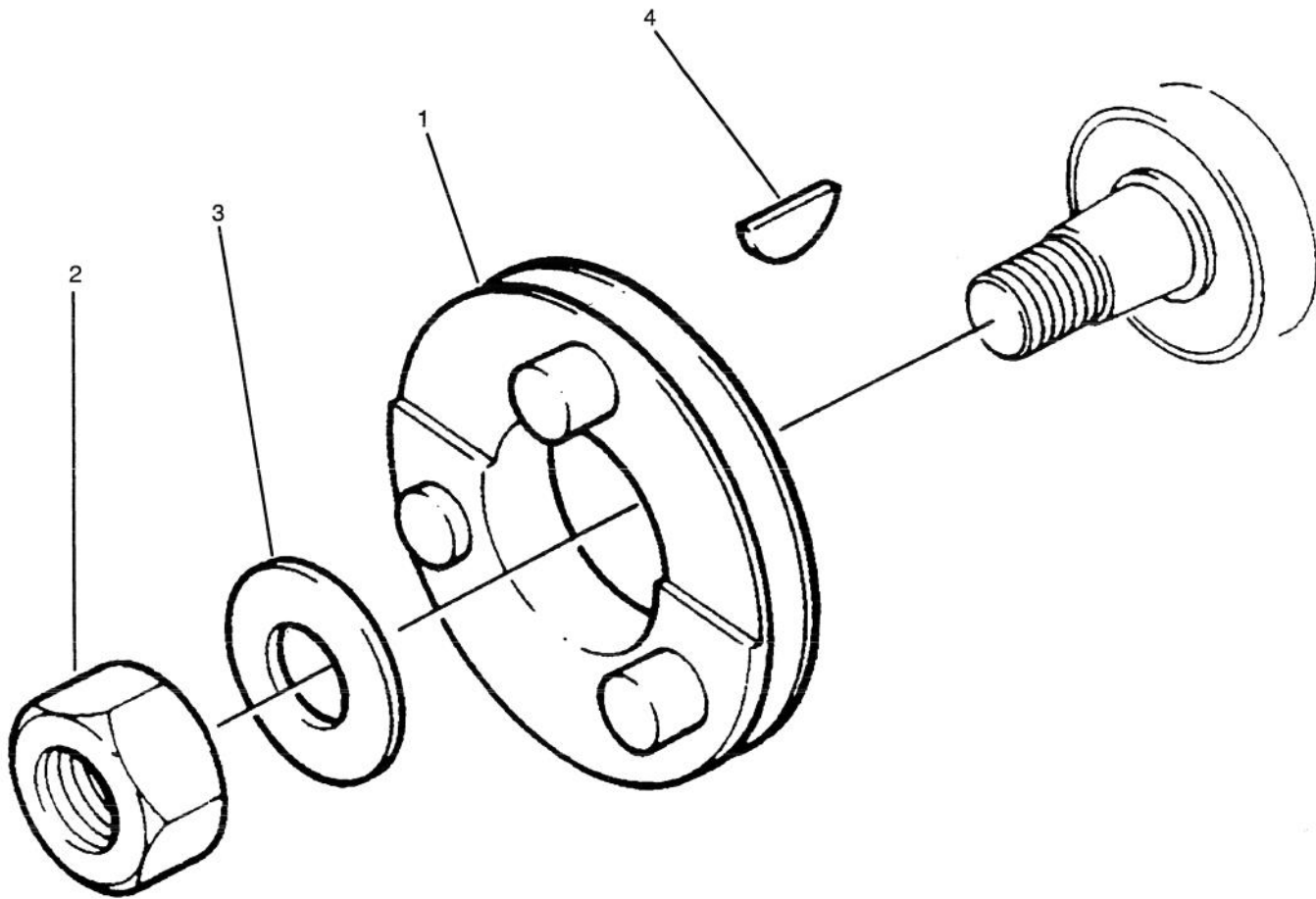
T-1392

OIL FILTER ASSEMBLY

Ref. No.	Part No.	Description	No. Used
1	140516190	Filter – Oil	1
2	140546020	Connection	1
3	140606680	Pipe	1
4	198486780	Bolt	1

Ref. No.	Part No.	Description	No. Used
5	198996060	Washer	2
6	198486780	Bolt	1
7	198996060	Washer	2

NOTE: Obtain replacement parts from your local Perkins Dealer.



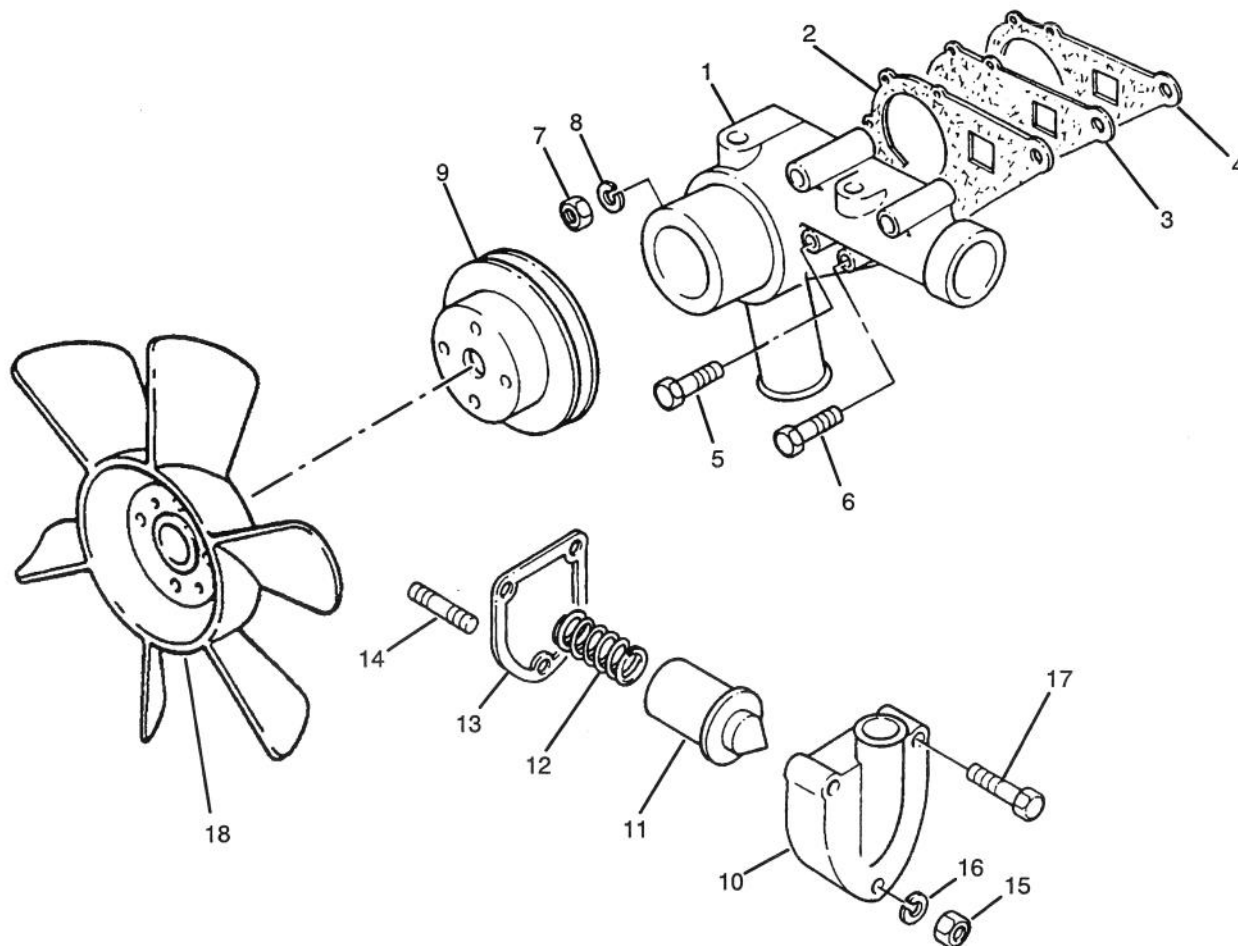
T-1393

FRONT DRIVE PULLEY ASSEMBLY

Ref. No.	Part No.	Description	No. Used
1	115397720	Pulley	1
2	020800018	Nut	1

Ref. No.	Part No.	Description	No. Used
3	026200018	Washer	1
4	134100508	Key	1

NOTE: Obtain replacement parts from your local Perkins Dealer.

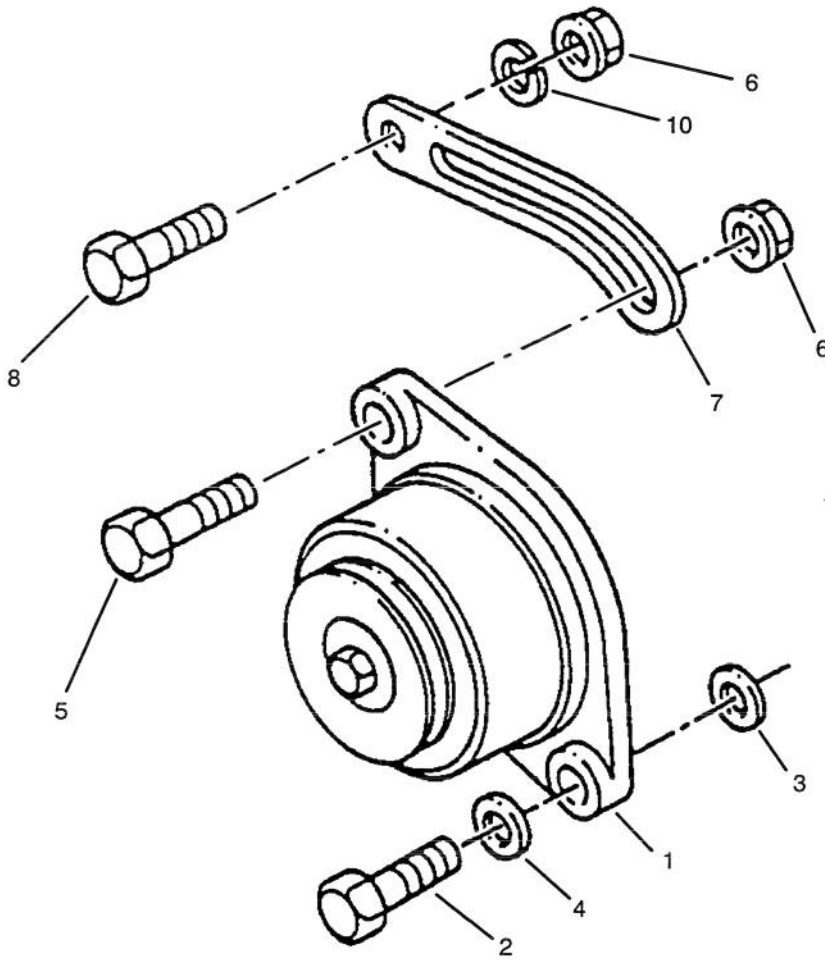


T-2177

WATER PUMP ASSEMBLY

Ref. No.	Part No.	Description	No. Used	Ref. No.	Part No.	Description	No. Used
1	145017400	Pump – Water	1	10	145216161	Housing	1
2	145996430	Gasket	1	11	145206062	Thermostat	1
3	145146270	Backplate	1	12	198217410	Spring	1
4	145996420	Gasket	1	13	145996440	Gasket	1
5	011300635	Screw	3	14	012100650	Stud	1
6	011300650	Screw	4	15	023100006	Nut	1
7	023100006	Nut	1	16	027100006	Washer	1
8	027100006	Washer	1	17	011300650	Screw	2
9	145336490	Pulley	1	18	145306780	Fan	1

NOTE: Obtain replacement parts from your local Perkins Dealer.

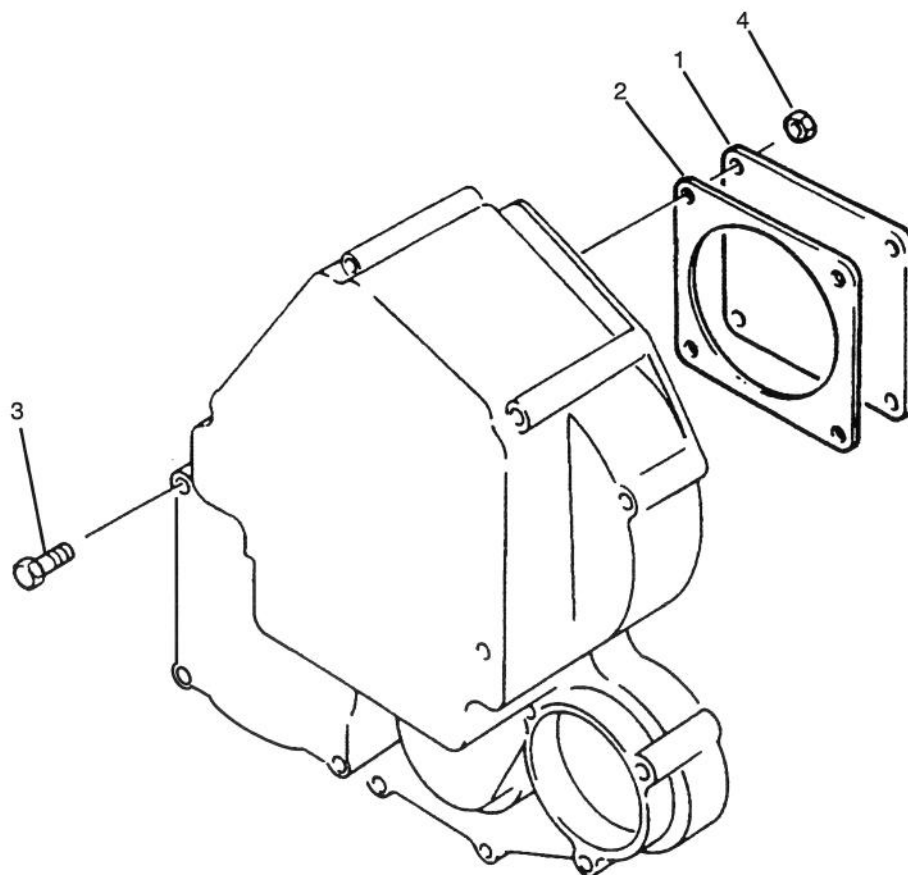


T-2178

ALTERNATOR ASSEMBLY

Ref. No.	Part No.	Description	No. Used	Ref. No.	Part No.	Description	No. Used
1	185046210	Alternator	1	6	023100008	Nut	2
2	010110850	Screw	1	7	185726431	Lever	1
3	026909011	Washer	1	8	011300816	Screw	1
4	026200008	Washer	1	10	027100008	Washer	1
5	012810830	Screw	1				

NOTE: Obtain replacement parts from your local Perkins Dealer.

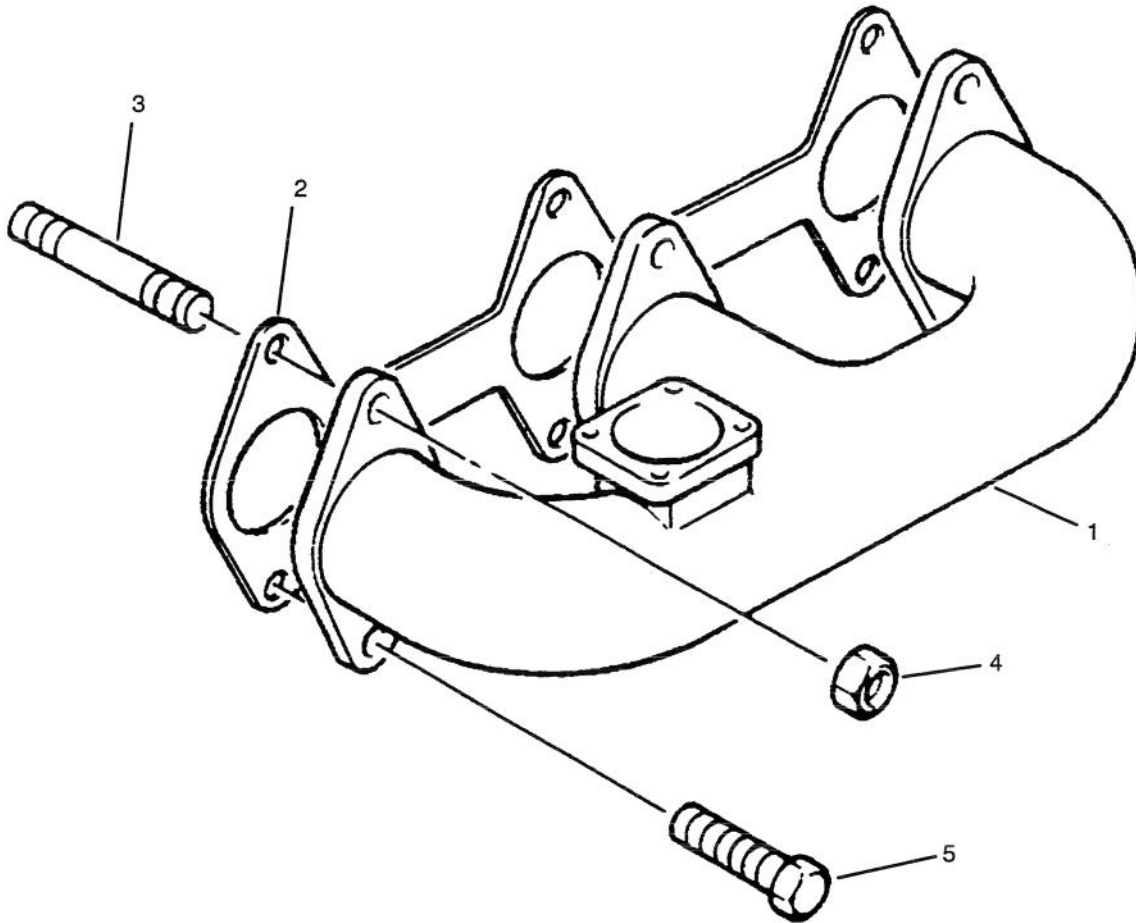


T-1398

TIMING COVER PLATE ASSEMBLY

Ref. No.	Part No.	Description	No. Used	Ref. No.	Part No.	Description	No. Used
1	165206360	Plate	1	3	010110850	Screw	4
2	165996420	Gasket	1	4	023100008	Nut	4

NOTE: Obtain replacement parts from your local Perkins Dealer.



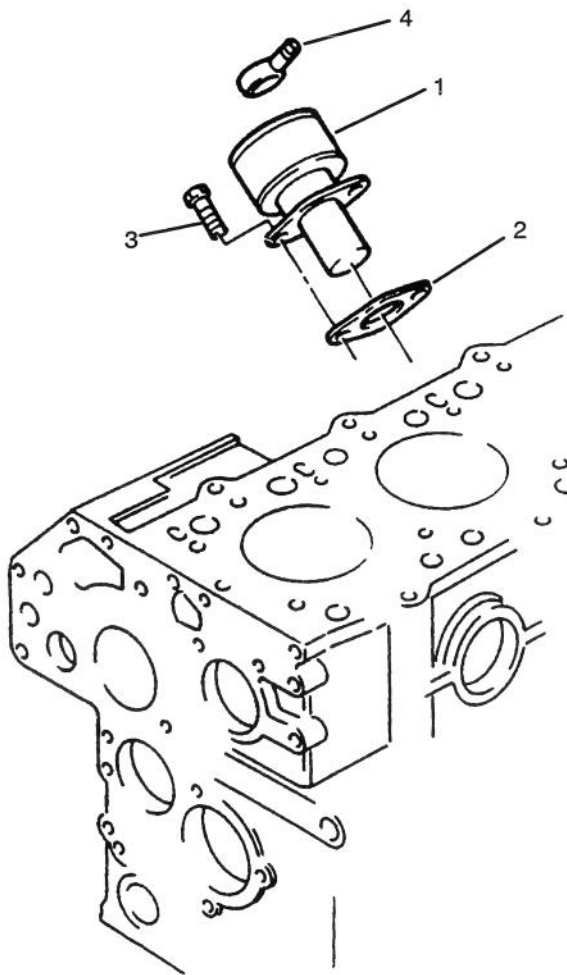
T-1399

EXHAUST MANIFOLD ASSEMBLY

Ref. No.	Part No.	Description	No. Used
1	135616630	Manifold – Exhaust	1
2	135996520	Gasket	1
3	012110625	Stud	3

Ref. No.	Part No.	Description	No. Used
4	023100006	Nut	3
5	011310625	Screw	3

NOTE: Obtain replacement parts from your local Perkins Dealer.

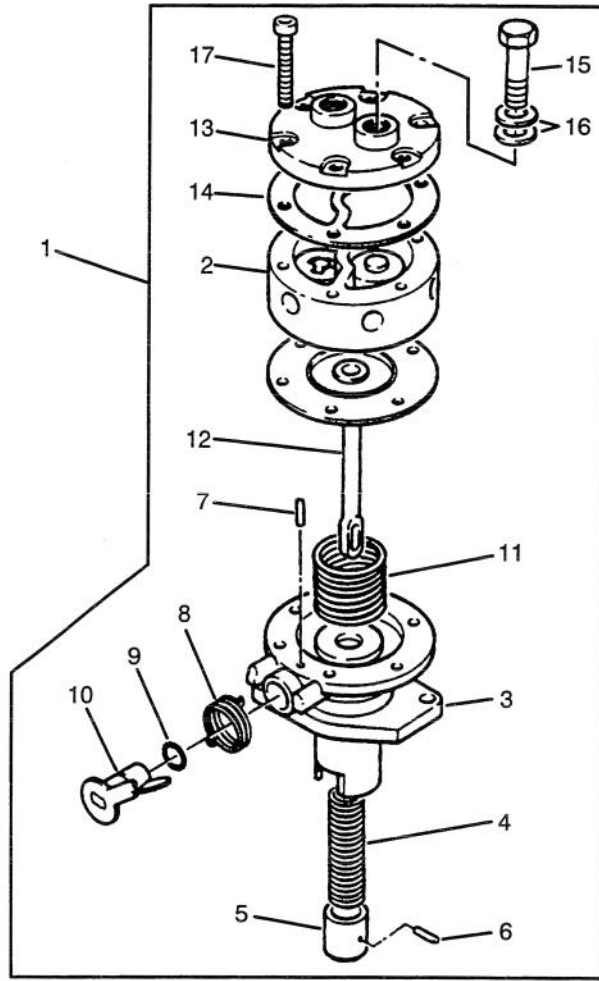


T-2179

LOW PRESSURE FUEL SYSTEM ASSEMBLY

Ref. No.	Part No.	Description	No. Used	Ref. No.	Part No.	Description	No. Used
1	130506140	Pump – Lift	1	3	011140616	Screw	2
2	130996070	Gasket	1	4	198486840	Connection	2

NOTE: Obtain replacement parts from your local Perkins Dealer.

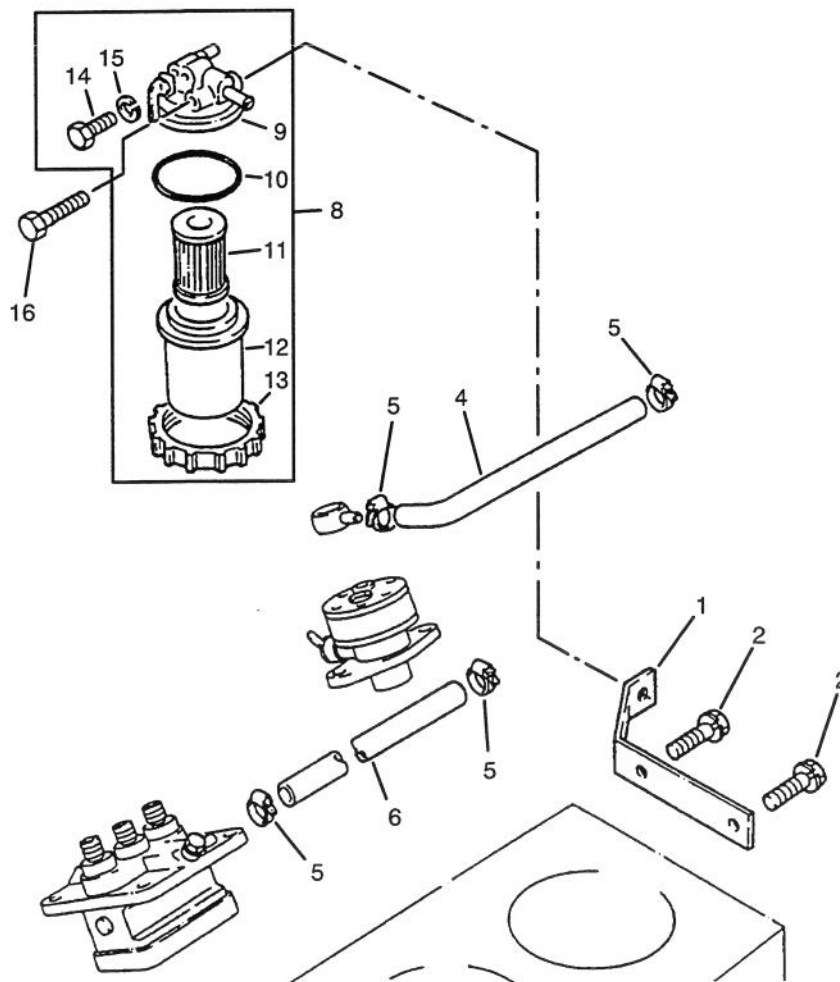


T-1401

LIFT PUMP ASSEMBLY

Ref. No.	Part No.	Description	No. Used	Ref. No.	Part No.	Description	No. Used
1	130506140	Lift Pump Assembly (Incl. Ref. #2)	1	9	131226180	Seal - O-Ring	1
2		Body	1	10	130516086	Lever	1
3	130516080	Body	1	11	130516087	Spring	1
4	130516081	Spring	1	12	130516084	Diaphragm	1
5	130516082	Plunger	1	13	130516090	Cap	1
6	130516085	Pin	1	14	130516089	Gasket	1
7	130516088	Pin	1	15	130516092	Bolt	2
8	130516083	Spring	1	16	130516069	Washer	4
				17	130516091	Screw	6

NOTE: Obtain replacement parts from your local Perkins Dealer.

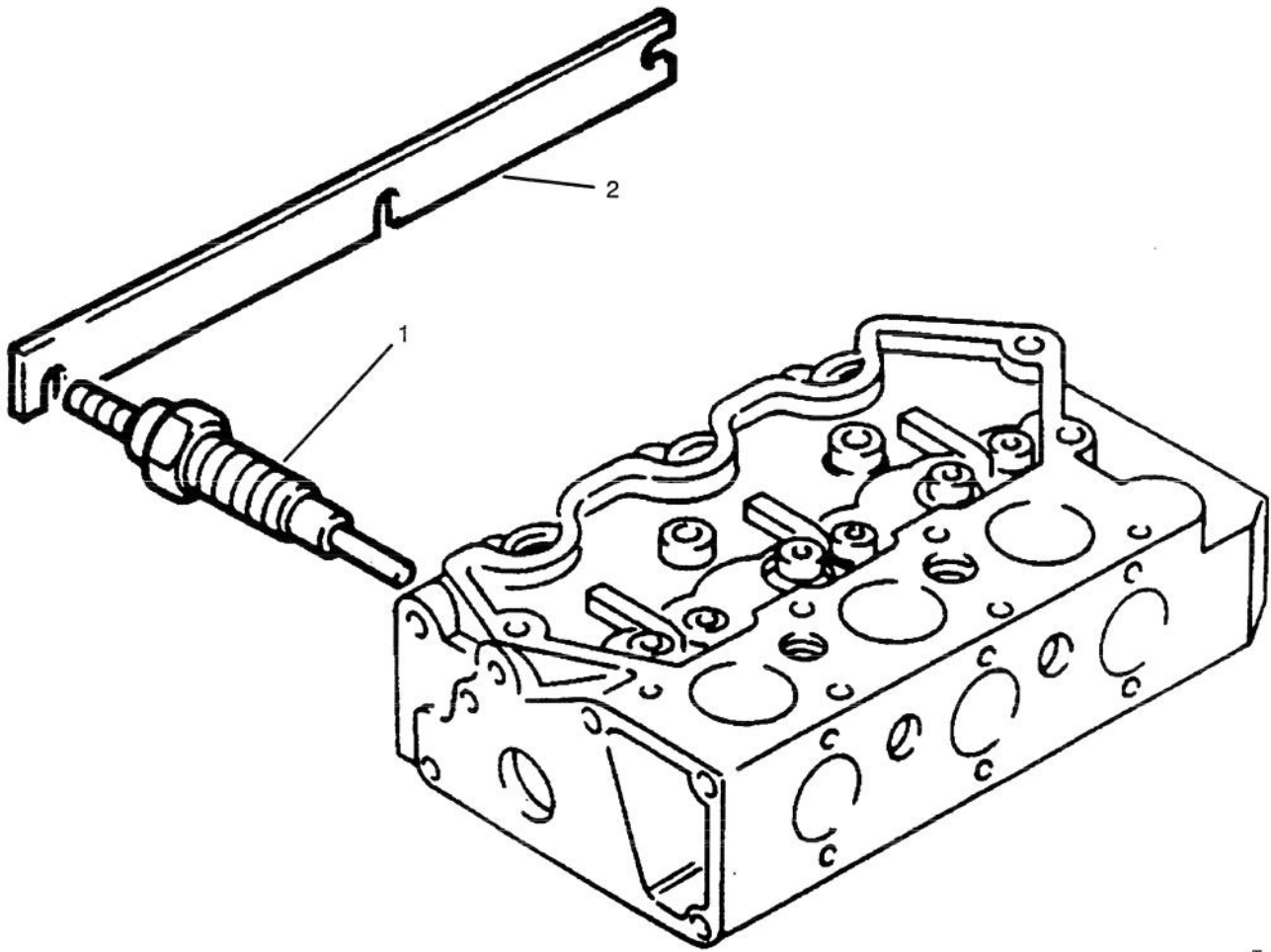


T-2180

FUEL FILTER ASSEMBLY

Ref. No.	Part No.	Description	No. Used	Ref. No.	Part No.	Description	No. Used
1	130976222	Bracket	1	10	052100440	Seal - O-Ring	1
2	011310816	Screw	1	11	130336040	Element - Filter	1
4	068207224	Pipe - Fuel	1	12	130336031	Container	1
5	198346020	Clip	4	13	130446090	Ring	1
6	068207400	Pipe - Fuel	1	14	130446080	Plug	2
8	130306041	Fuel Filter Assembly (Incl. Ref. #9)	1	15	130326120	Washer	2
9		Head - Filter	1	16	010100865	Screw	1

NOTE: Obtain replacement parts from your local Perkins Dealer.



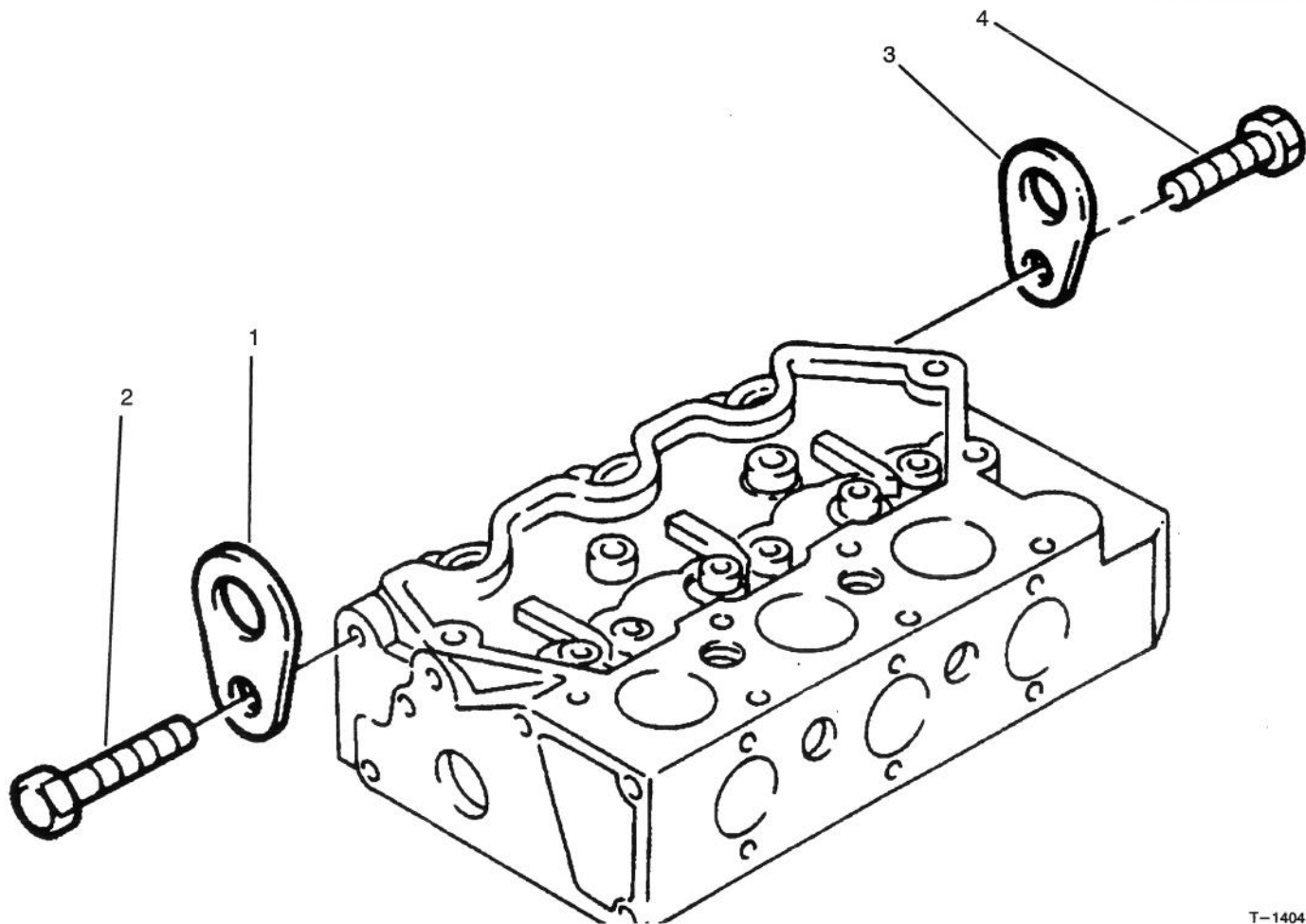
T-1403

COLD START SYSTEM ASSEMBLY

Ref. No.	Part No.	Description	No. Used
1	185366060	Heater	3

Ref. No.	Part No.	Description	No. Used
2	185376170	Bar	1

NOTE: Obtain replacement parts from your local Perkins Dealer.



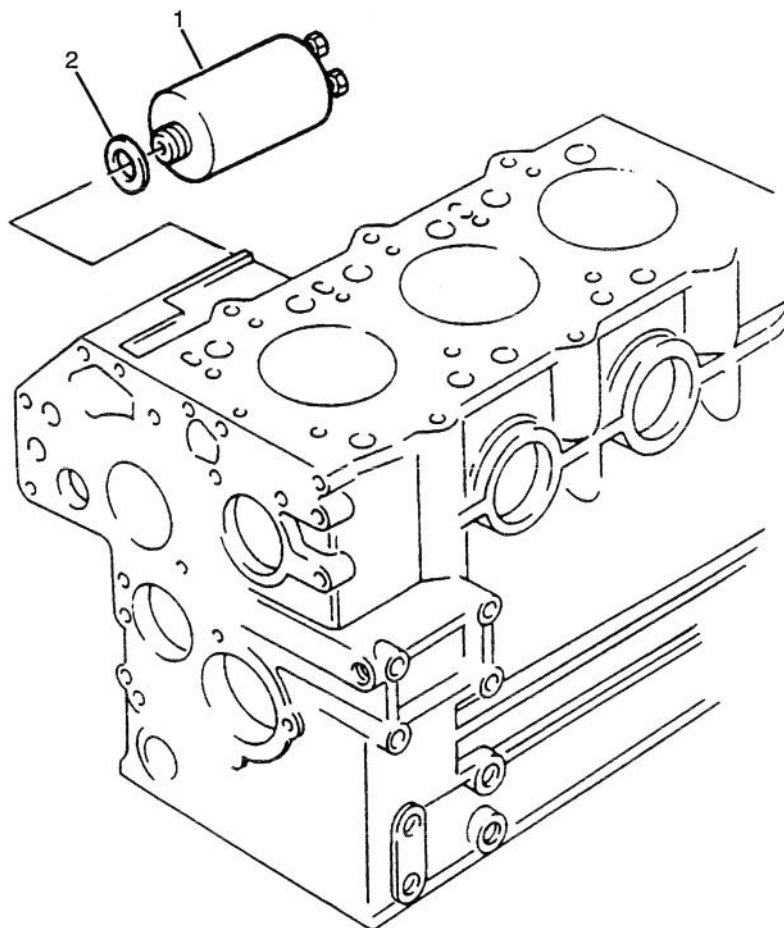
T-1404

ENGINE LIFTING TAB ASSEMBLY

Ref. No.	Part No.	Description	No. Used
1	195816200	Plate	1
2	011310816	Screw	1

Ref. No.	Part No.	Description	No. Used
3	195816200	Plate	1
4	011310816	Screw	1

NOTE: Obtain replacement parts from your local Perkins Dealer.



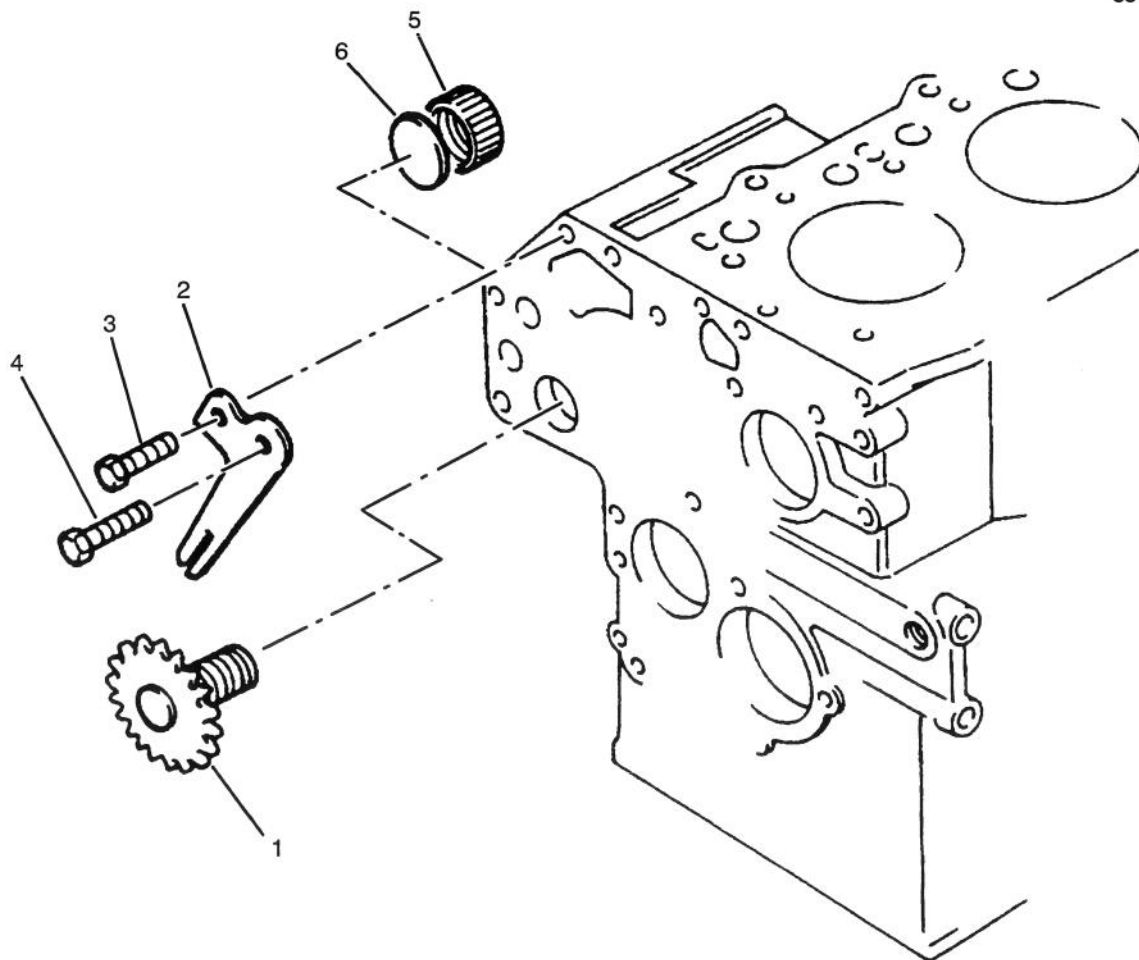
T-1405

THROTTLE STOP ASSEMBLY

Ref. No.	Part No.	Description	No. Used
1	185206082	Solenoid	1

Ref. No.	Part No.	Description	No. Used
2	025100016	Washer	1

NOTE: Obtain replacement parts from your local Perkins Dealer.

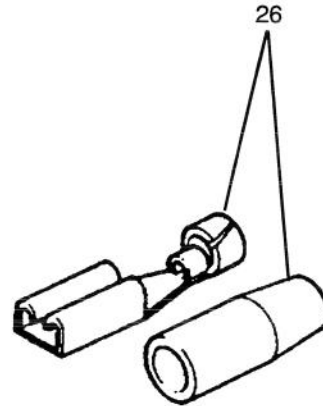
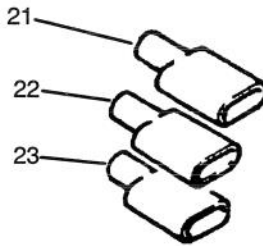
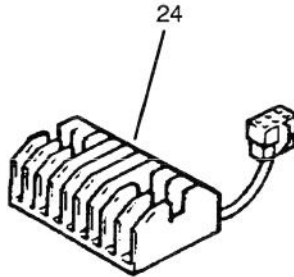
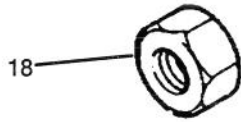
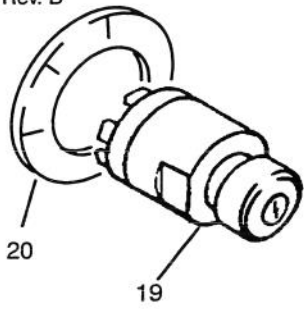


T-1406

RECORDER ASSEMBLY

Ref. No.	Part No.	Description	No. Used	Ref. No.	Part No.	Description	No. Used
1	120076070	Shaft	1	4	010700610	Screw	1
2	199566651	Plate	1	5	199376230	Cap	1
3	011310612	Screw	1	6	120996060	Seal	1

NOTE: Obtain replacement parts from your local Perkins Dealer.



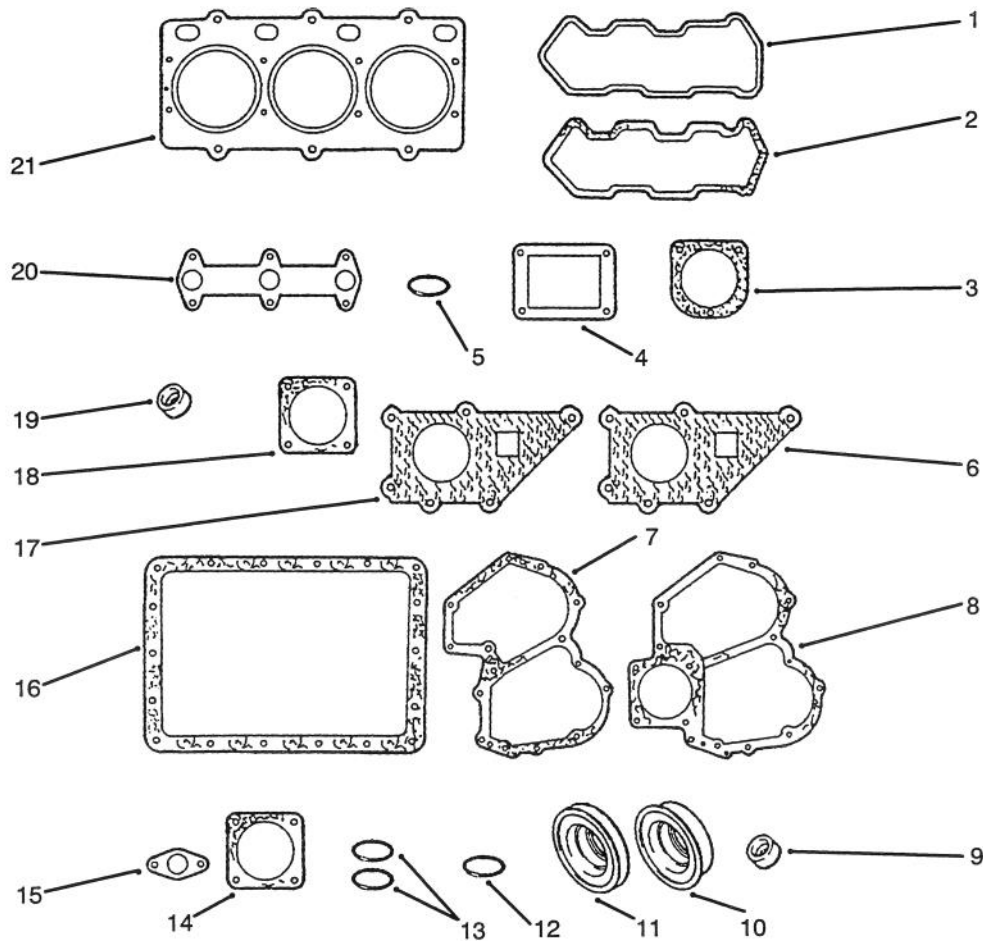
T-2181

ELECTRICAL COMPONENT ASSEMBLY

Ref. No.	Part No.	Description	No. Used
18	020100008	Nut	1
19	385201160	Switch	1
20	390190030	Plate	1
21	385620010	Connection	1

Ref. No.	Part No.	Description	No. Used
22	385620280	Connection	2
23	385620270	Connection	1
24	185516061	Regulator	1
26	385620200	Connection	2

NOTE: Obtain replacement parts from your local Perkins Dealer.



T-1970

GASKET AND SEALS

Ref. No.	Part No.	Description	No. Used
1	111996060	Gasket	1
2	111996330	Gasket	1
3	145996440	Gasket	1
4	130996070	Gasket	1
5	052100400	Seal	1
6	145996430	Gasket	1
7	165996400	Gasket	1
8	165996410	Gasket	1
9	131426200	Gasket	3
10	198636080	Seal	1
11	198636090	Seal	1
12	052109076	O-Ring	1

Ref. No.	Part No.	Description	No. Used
13	052100100	O-Ring	2
14	165996420	Gasket	1
15	130996070	Gasket	1
16	110996590	Gasket	1
17	145996420	Gasket	1
18	314990013	Gasket	1
19	120406080	Seal	3
20	135996520	Gasket	1
21	111147370	Gasket	1
*	195906840	Kit - Gasket & Seals (Incl. Ref. #1-21)	1

NOTE: Obtain replacement parts from your local Perkins Dealer.

*Not Illustrated

TORO PART NUMBER INDEX

Part No.	Description	Pg. Ref.		Part No.	Description	Pg. Ref.	
		No.	Qty.			No.	Qty.
3-0348	Bushing	14	19 4	56-7976	Clamp-Tube	14	7 2
3-0348	Bushing	14	24 2	56-7976	Clamp-Tube	14	21 2
3-0348	Bushing-Sleeve	14	9 6	57-5420	Screw-Shoulder	9	1 1
3-6498	Washer-Thrust	6	17 A/R	57-6390	Nut-Jam	14	13 1
3-6498	Washer-Thrust	14	36 2	59-2580	Spacer	14	15 2
5-0743	Spring	14	1 1	59-8320	Ring-Retaining	14	16 1
5-0743	Spring	14	15 2	59-8320	Ring-Retaining	14	16 1
5-7290	Spring	14	9 1	59-8420	Seal-O-Ring	14	11 2
10-6830	Stud-Drive Type	14	6 4	59-8420	Seal-O-Ring	14	11 2
10-6850	Drum Brake	14	19 2	60-5890	Washer-Backup	14	18 1
10-6870	Hub-Wheel	14	5 1	60-5890	Washer-Backup	14	18 1
12-9140	Decal	14	1 1	60-6330	Screw-Pan Hd.	11	9 4
21-0141	Socket Assy-RH	14	13 1	61-2070	Link-Steering	14	27 1
21-0150	Socket Assy-LH	6	5 1	61-2070	Tube-Steering	6	4 1
22-8330	Plug	14	1 2	61-2450	Hub-Lift	14	19 1
22-8340	Spring	14	3 2	61-2790	Filler-Screen	9	7 1
22-8350	Ball	14	4 2	61-3600	Tab-Lift	14	7 2
22-8360	Pin-Cam	14	6 2	61-3830	Chain	14	12 2
22-8370	Seat-Check Valve	14	5 2	61-3990	Parking Brake WA	14	7 1
22-8380	Retainer-Spring	14	10 2	62-7170	Spacer	2	42 1
22-8410	Spring	14	11 1	62-7240	Sleeve-Vinyl Spring	14	2 1
22-8420	Spool	14	8 1	62-7400	Decal-Toro	1	2 1
22-8480	Snap Ring-Spool	14	13 1	63-8410	Washer-Flat	9	11 3
22-8490	Snap Ring	14	14 1	63-8410	Washer-Flat	14	15 3
22-8500	Seal-O-Ring	14	9 2	65-8320	Bar-Height-Of-Cut	14	1 1
23-2140	Hose-Fuel	14	1 1	66-2920	Washer-Nylon	13	30 1
23-3030	Spacer	14	12 1	66-3160	Screw	14	53 10
26-3790	Nut-Lock	14	4 1	66-3240	Cap-Radiator	7	13 1
26-3790	Nut-Lock	14	40 2	66-5710	Seal-Oil	14	17 1
27-9870	Pin-Seat Switch	2	25 1	66-5710	Seal-Oil	14	17 1
28-6180	Pin-Plastic	2	24 1	66-5730	Front Plate Assembly	14	14 1
29-6150	Spring-Leaf	13	13 1	66-5730	Front Plate Assembly	14	14 1
29-6170	Extended Leaf Spring Asm	13	11 1	67-5360	Decal-Danger	2	4 1
29-9080	Handle	14	3 1	68-6030	Screw-HH	14	5 1
29-9090	Hose-Handle	14	4 1	68-8990	Head-Oil Filter	9	21 1
33-3270	Washer	11	37 1	69-1170	Glass-Sight	9	2 1
33-3750	Race-Inner	11	14 2	69-4120	Cartridge Valve Assembly	14	1 1
33-4930	Gasket	11	26 1	69-4240	Seal Kit	14	2 1
36-4310	Brush	14	5 1	69-4300	Nut	14	11 1
37-9590	Spring-Compression	2	23 1	69-9760	Plate-Clamp	14	20 2
42-2010	Pin-Alignment	14	13 2	69-9760	Plate-Cover	14	20 1
42-2010	Pin-Alignment	14	13 2	70-1240	Plug Assembly	11	23 2
42-2720	Seal-Shaft	11	38 1	70-1480	Relay	4	21 1
42-9850	Washer-Lock	14	14 1	70-1480	Relay	2	27 1
43-1950	Valve-Control Hydraulic	14	9 1	70-9840	Shoe-Brake	14	17 4
43-9071	Limit Switch Asm	2	26 1	70-9860	Pin-Pivot	14	43 2
44-2212	Indicator Light Assembly	4	15 1	70-9870	Plate-Brake	14	44 2
44-8160	Washer-Clutch	14	3 1	70-9880	Spring-Extension	14	42 4
48-7700	Screw-HH	14	10 2	71-1370	Spring-Compression	14	14 1
48-7780	Screw-HH	14	48 16	71-1380	Pin-Switch Actuator	14	13 1
48-8010	Washer-Flat	14	44 2	71-1500	Brake Assembly	14	* 2
48-9510	Nut-Lock	8	5 1	71-2960	Valve-Flow Control	14	11 1
48-9590	Washer-Lock	14	45 14	71-3382	Hose	7	11 1
51-0670	Hose-Fuel Line	14	4 1	72-4190	Pin-Cylinder Guide	14	16 1
51-3150	Shim-Spring Arm	13	9 1	74-0720	Tube-Manual	2	12 1
54-0110	Element-Oil Filter	9	20 1	74-6110	Stop-Cam	13	29 1
55-4300	Decal-Warning	14	8 2	74-9100	Pad-Pedal Forward	13	15 1
55-4300	Decal-Warning	14	26 1	74-9110	Pad-Pedal Reverse	13	17 1
56-2230	Hose-Fuel	14	10 1	75-2080	Seal Kit	14	7 3
56-2520	Fitting-Fuel Shutoff	14	8 1	75-2160	Bushing-Flg	6	15 2
56-7970	Clamp-Tube	14	21 4	75-4703	Hose-Fuel	14	61 1

*Not Illustrated

TORO PART NUMBER INDEX (Cont.)

Part No.	Description	Pg. No.	Ref. No.	Qty.	Part No.	Description	Pg. No.	Ref. No.	Qty.
75-4703	Hose-Fuel Return	14	13	1	83-7970	Fitting-Hydraulic	7	28	2
75-6820	Hour Meter	4	9	1	83-7980	Bracket-Radiator Rear	7	19	1
75-7730	Washer-Thrust	14	16	1	83-8040	Cover-Left	7	9	1
75-9990	Motor-Hydraulic	14	8	1	83-8070	Shield-Radiator Bottom	7	24	1
75-9990	Motor-Hydraulic RH	14	12	1	83-8080	Key	14	9	1
76-0800	Seal Kit	14	*	1	83-8120	Panel-Right Rear	2	6	1
76-0800	Seal Kit	14	*	1	83-8150	Screen Asm	7	23	1
76-0800	Seal Kit	14	*	1	83-8210	Panel-Left Front	7	26	1
76-0810	Housing Assembly	14	*	1	83-8270	Pedal WA-Traction	13	16	1
76-0810	Housing Assembly	14	*	1	83-8510	Bracket-Left Fender	1	24	1
76-0810	Housing Assembly	14	*	1	83-8720	Tank-Fuel	14	12	1
76-0840	Manifold	14	22	1	83-8760	Rod-Pump Control	13	25	1
76-0840	Manifold	14	22	1	83-9000	Battery	14	5	1
76-0840	Manifold	14	22	1	83-9030	Foam-Top	7	14	1
76-0850	Bearing-Thrust	14	12	1	83-9210	Cable-Battery Neg.	14	60	1
76-0850	Bearing-Thrust	14	12	1	83-9210	Cable-Battery-Neg	14	7	1
76-0850	Bearing-Thrust	14	12	1	83-9240	Bracket-Battery	14	18	1
76-0860	Shaft-Coupling	14	11	1	83-9270	Brake Arm WA-LH	14	29	1
76-0860	Shaft-Coupling	14	11	1	83-9310	Brake Arm WA-RH	14	28	1
76-0860	Shaft-Coupling	14	11	1	83-9330	Shaft-Brake	14	37	1
76-0870	Plate-Wear	14	18	1	83-9340	Shield-Grass Brake	14	15	2
76-0870	Plate-Wear	14	18	1	83-9350	Rod-Adjusting	14	6	1
76-0870	Plate-Wear	14	18	1	83-9500	Tube Asm-3wd Valve	14	10	1
76-0880	Commutator Assembly	14	*	1	83-9500	Tube-Hydraulic	14	9	1
76-0880	Commutator Assembly	14	*	1	83-9550	Decal-Warning	2	40	1
76-0880	Commutator Assembly	14	*	1	83-9651	Hose-Hydraulic	9	15	1
76-0890	End Cover Assembly	14	24	1	83-9710	Footrest-LH	1	29	1
76-0940	End Cover Assembly	14	24	1	83-9800	Shield-Front Grass LH	1	25	1
76-0940	End Cover Assembly	14	24	1	83-9840	Pad-Foot	1	30	1
76-0960	Link-Drive	14	13	7	83-9920	Bracket-Hydraulic Tank	9	9	1
76-0960	Link-Drive	14	13	7	84-1650	Decal-Brake	1	28	1
76-0960	Link-Drive	14	13	7	84-1990	Rod-Adjusting	14	35	2
76-0970	Rotor Set	14	*	1	84-2000	Bracket-Brake	14	25	2
76-0970	Rotor Set	14	*	1	84-8440	Bush-Flg	14	17	2
76-0970	Rotor Set	14	*	1	85-5160	Valve Lever WA	14	6	1
76-1010	Screw-Cap, Hex. Hd.	14	14	1	85-5230	Bracket-Seat Pivot	2	9	2
76-1010	Screw-Cap, Hex. Hd.	14	14	1	85-5330	Seat Plate WA	2	11	1
76-2200	Footrest-Traction Pedal	1	7	1	85-5340	Tube-Seat Pivot	2	7	2
76-2260	Pad-Footrest	1	5	1	85-6540	Drive Type Stud	14	23	4
76-6070	Rotating Parts Kit	11	31	1	87-7270	Washer-Hardened	10	5	2
76-6080	Cover-Seal	11	18	1	87-8640	Washer-Flat	3	65	1
76-6090	Cover-Seal	11	10	1	87-8640	Washer-Flat Hardened	13	38	1
76-6100	Cover-O-Ring	11	11	1	87-8640	Washer-Flat, Hardened	6	24	2
76-6140	Seal-O-Ring	11	12	1	87-9400	Valve	8	8	1
76-6150	Pin-Dowel	11	20	2	88-3850	Steering Wheel Asm	6	1	1
76-6180	Washer	11	13	2	88-6720	Radiator Bracket WA	7	37	1
76-6190	Seal-Shaft	11	19	1	88-6730	Bracket-Screen Front	7	30	1
76-6200	Spring	11	24	2	92-1715	Spacer	14	39	8
76-6471	Trim	2	41	1	92-1812	Shaft-Lift Pivot	14	1	2
76-8870	Dampner	13	43	1	92-1812	Shaft-Lift Pivot	14	15	1
76-9760	Pivot-Damper	13	48	1	92-1815	Rod-Pivot	14	12	2
77-3100	Decal-Caution	7	3	1	92-1815	Rod-Pivot	14	37	1
80-6980	Soft Latch Asm	4	14	1	92-1818	Arm-Tension Spring	14	4	2
80-6990	Washer-Hardened	14	2	6	92-1818	Arm-Tension Spring	14	10	1
80-6990	Washer-Hardened	10	9	2	92-3154	Tab-Throttle	14	43	1
80-6990	Washer-Hardened	14	16	16	92-3162	Bushing-Flg	6	10	4
80-7345	Hose	4	23	1	92-3179	Decal-Control	2	20	1
81-1690	Clamp-Throttle Cable	14	37	1	92-3188	Diode-Circuit Board	2	36	1
82-3110	Sender-Temp	14	26	1	92-3194	Switch-Push/Pull	4	16	1
82-4910	Roller	14	16	2	92-3196	Valve-2 Position	14	8	1
83-2010	Coil Assembly	14	10	1	92-7904	Cap-Valve	14	1	1

*Not Illustrated

TORO PART NUMBER INDEX (Cont.)

Part No.	Description	Pg. Ref. No. No. Qty.	Part No.	Description	Pg. Ref. No. No. Qty.
92-7905	Micro Switch	14 5 1	93-6794	Fitting - Special	9 27 1
92-7911	Boot	14 10 1	93-6795	Fitting-90°	10 22 1
92-7912	Retainer-Boot	14 14 1	93-6796	Bracket-Bulkhead	14 42 1
92-7913	Seal Repair Kit	14 * 1	93-6797	Hose Asm	14 1 1
92-9260	Relief Valve Assembly	14 19 1	93-6797	Hose Asm	10 14 1
92-9260	Relief Valve Assembly	14 19 1	93-6798	Hose Asm	14 11 1
92-9775	Warning Light Cluster	4 12 1	93-6798	Hose-Hydraulic	10 37 1
93-1413	Seal Repair Kit	14 * 1	93-6799	Hose-Hydraulic	9 19 1
93-1413	Seal Repair Kit	14 * 1	93-6799	Hose-Hydraulic	10 36 1
93-2190	Air Cleaner Asm	7 43 1	93-6800	Hose-Hyd	10 18 1
93-2191	Clamp Assembly	8 4 1	93-6800	Hose-Hydraulic	14 34 1
93-2191	Clamp Assembly	7 42 1	93-6803	Fitting-90 Deg	7 34 2
93-2195	Element-Air Cleaner	8 2 1	93-6803	Fitting-Hydraulic 90°	14 26 1
93-3102	Fuel Cap-Diesel	14 11 1	93-6804	Hose	7 36 1
93-4411	Gauge-Temperature	4 13 1	93-6804	Hose-Hydraulic	9 24 1
93-6702	Frame WA	6 14 1	93-6805	Hose	7 39 1
93-6706	Pully-Engine	14 4 1	93-6805	Hose-Hydraulic	14 27 1
93-6707	Spindle-Clutch	14 49 1	93-6806	Hose	10 23 1
93-6712	Bracket-Mount Front	14 46 2	93-6806	Hose-Hydraulic	9 25 1
93-6713	Bracket-Mount Rear LH	14 31 1	93-6807	Hose Asm	14 14 1
93-6718	Hydraulic Manifold Assembly	14 25 1	93-6807	Hose-Hydraulic	14 37 1
93-6719	Muffler	14 19 1	93-6811	Tank-Hydraulic	9 8 1
93-6720	Bracket-Muffler	14 24 1	93-6816	Control-Throttle	4 1 1
93-6721	Tube-Muffler	14 23 1	93-6824	Pump Lever Asm	13 34 1
93-6722	U-Bolt	14 25 1	93-6825	Plate-Pump	13 4 1
93-6724	Hose-Air Inlet Lower	7 51 1	93-6826	Mounting Bracket WA	13 39 1
93-6725	Bracket-Wire Keeper	14 6 1	93-6828	Hose Assy	10 31 1
93-6726	Radiator Asm	7 38 1	93-6828	Hose-Hydraulic	14 17 1
93-6727	Clutch-Electric	14 54 1	93-6829	Hose Assy	10 11 1
93-6728	Hose-Radiator Upper	14 27 1	93-6829	Hose-Hydraulic	14 18 1
93-6728	Hose-Radiator Upper	7 52 1	93-6830	Tube-Hyd	14 2 1
93-6729	Hose-Radiator Lower	14 33 1	93-6835	Tube-Hyd	14 4 1
93-6729	Hose-Radiator Lower	7 53 1	93-6836	Tube Assy	14 5 1
93-6730	Shroud-Radiator Bottom	7 10 1	93-6837	Tube Asm	14 16 1
93-6731	Shroud-Radiator Top	7 4 1	93-6838	Hub-Wheel	14 18 2
93-6732	Panel-Left Rear	2 52 1	93-6840	Belt-Pump Drive	10 2 1
93-6733	Brkt-Valve Mount	14 24 1	93-6841	Pulley	10 3 1
93-6737	Pump Mount Mach	10 7 1	93-6842	Taper Lock Bushing Assy.	10 1 1
93-6738	Chain-Tipper	14 22 2	93-6843	Hose Asm	14 3 2
93-6742	Brkt-Hood Pivot	1 20 2	93-6843	Hose-Hydraulic	14 26 2
93-6743	Stop-Throttle	4 2 1	93-6845	Yoke-Belt Adjust	10 29 1
93-6751	Pump Assembly	10 8 1	93-6846	Panel-Right Front	2 5 1
93-6761	Decal-Reelmaster 2300D	2 21 2	93-6847	Panel-Left Front	2 2 1
93-6762	Switch-Push Button	4 7 1	93-6848	Fitting-Barb 45°	10 24 1
93-6766	Steering Shaft & Pinion	6 22 1	93-6850	Brake Lever WA	14 32 2
93-6768	Gear WA-Sector	6 6 1	93-6857	Hose-Hydraulic	9 23 1
93-6769	Steering Column WA	6 21 1	93-6857	Hose-Hydraulic	10 38 1
93-6774	Cylinder-Lift	14 22 1	93-6858	Shield-Front RH	1 16 1
93-6775	Cable-Battery Pos.	14 59 1	93-6859	Spacer	13 20 2
93-6775	Cable-Battery-Pos	14 6 1	93-6868	Footstep WA	2 34 1
93-6776	Fender-LH	1 27 1	93-6869	Cylinder-Hydraulic Asm	14 23 1
93-6778	Fender-Right	1 11 1	93-6876	Hose-Air Inlet Upper	7 50 1
93-6779	Footrest-RH	1 9 1	93-6877	Foam-Seal	7 1 1
93-6780	Hinge-W.A.	1 17 1	93-6879	Tire	14 20 2
93-6782	Fork-Rear Wheel	14 9 1	93-6880	Tire	14 1 1
93-6786	Hydraulic Hose Assembly	14 14 2	93-6881	Rim	14 2 1
93-6787	Hydraulic Hose Assembly	14 3 2	93-6881	Rim	14 21 2
93-6788	Hydraulic Hose Assembly	14 6 2	93-6887	Hose Asm	14 15 1
93-6789	Hydraulic Hose Assembly	14 40 1	93-6887	Hose-Hydraulic	14 38 1
93-6790	Hydraulic Hose Assembly	14 33 2	93-6888	Motor-Hydraulic LH	14 38 1
93-6793	Ftg-Barb	9 4 1	93-6889	Hose Assy	14 20 1

*Not Illustrated

TORO PART NUMBER INDEX (Cont.)

Part No.	Description	Pg. No.	Ref. No.	Qty.	Part No.	Description	Pg. No.	Ref. No.	Qty.
93-6889	Hose-Hydraulic	14	36	1	94-3612	Ring-Retaining	14	1	1
93-6890	Hose Assy	14	19	1	94-3613	Barrel	14	11	1
93-6890	Hose-Hydraulic	14	35	1	94-3614	Repair Kit	14	*	1
93-6892	Bracket-Throttle Cable	14	40	1	94-3615	Head	14	10	1
93-6893	Ram Pivot Pin WA	14	14	1	94-3616	Piston	14	4	1
93-6895	Tube-Asm-3wd Fwd	14	6	1	94-3617	Clevis-Rod	14	14	1
93-6895	Tube-Hydraulic	14	10	1	94-3618	Shaft	14	7	1
93-6896	Tube Asm-3wd Reverse	14	13	1	94-3619	Repair Kit	14	*	1
93-6900	Decal-Warning	14	8	3	94-3620	Barrel	14	2	1
93-6902	Decal-Fuse Block	4	17	1	94-3622	Hood Assembly	1	1	1
93-6903	Decal-Service Info	2	39	1	94-3623	Seal Kit	12	*	1
93-6904	Spacer	14	27	2	94-3624	Flange Assembly	12	3	1
93-6905	Shield-Wheel	14	26	2	94-3625	Pin-Dowel	12	7	4
93-6908	Spacer-Split	2	58	1	94-3626	Cover-End	12	8	1
93-6912	Shackle WA	14	6	1	94-3627	Carrier Frame Assembly LH	14	3	1
93-6912	Shackle WA	14	16	2	94-3628	Carrier Frame Assembly RH	14	4	1
93-6918	Hydraulic Tube Assembly	14	30	1	94-3629	Carrier Frame Assy. Rear	14	2	1
93-6919	Hydraulic Tube Assembly	14	43	1	94-3632	Skirt Assembly	2	19	1
93-6920	Hydraulic Tube Assembly	14	44	1	94-3633	U-Bracket Support	9	17	1
93-6921	Relief Valve Assembly	14	*	1	94-3633	U-Bracket Support Assy.	3	61	1
93-6922	Tube-Hydraulic	14	12	1	94-3634	Air Cleaner Housing Assy.	7	2	1
93-6923	Tube-Hydraulic	14	18	1	94-3635	Lift Arm Assembly Rear	14	35	1
93-6924	Trim	2	57	2	94-3636	Lift Arm Assembly RH	14	6	1
93-6926	Pin-Clevis	14	29	1	94-3637	Lift Arm Assembly LH	14	7	1
93-6927	Trim	1	32	1	94-3638	Ring-Retaining	14	11	1
93-6931	Bracket-Cyl Support	14	4	1	94-3639	Bolt	12	9	4
93-6932	Exchanger-Heat	7	27	1	94-3640	Backplate Assembly	11	27	1
93-6933	Sleeve-Protective	7	46	1	94-3641	Housing Assembly	11	17	1
93-6935	Hose Assembly	14	32	1	94-3642	Shaft-Drive	11	33	1
93-6936	Arm-Traction	13	18	1	94-3643	Camplate	11	22	1
93-6938	Panel-Foot	2	47	1	94-3644	Seat	11	25	2
93-6941	Trim	4	26	2	94-3645	Key	11	32	1
93-6946	Bracket-Mount Rear RH	14	64	1	94-3645	Key	10	35	1
93-6972	Hydraulic Motor Assembly	14	17	2	94-3646	Key	11	21	1
93-6974	Pump-Reel Drive	10	19	1	94-3647	Charge Pump Adaptor Assy.	11	2	1
93-6975	Hydraulic Motor Assembly	14	36	1	94-3648	Gerotor Assembly	11	3	1
93-7159	Knob	7	35	2	94-3649	Plate-Valve	11	7	1
93-7160	Oil Cap Assembly	9	6	1	94-3650	Valve Assembly	11	5	1
93-8823	Coupling	14	37	3	94-3651	Seal Kit	11	*	
94-1754	Micro Switch	13	3	1	94-3652	Cover Assembly	8	3	1
94-1754	Micro Switch	14	45	1	94-3653	Bolt	8	7	1
94-3425	Screw	14	16	1	94-3654	Spring-Compression	8	6	1
94-3426	Stop-Valve	14	13	1	94-3655	Cartridge Valve Assembly	14	14	1
94-3427	Plug Assembly	14	2	1	94-3656	Spool Assembly	14	8	1
94-3600	Screw-Hex. Socket Hd.	14	15	8	94-3657	Spool Assembly	14	18	1
94-3600	Screw-Hex. Socket Hd.	14	15	8	94-3658	Knob Assembly	14	19	1
94-3601	Gear-Idler	14	8	1	94-3659	Spool Assembly	14	15	1
94-3601	Gear-Idler	14	8	1	94-3660	Knob Assembly	14	16	1
94-3602	Gear-Drive	14	9	1	94-3661	Seal Kit	14	17	1
94-3602	Gear-Drive	14	9	1	94-3662	Screw-Cap, Hex. Hd.	14	14	1
94-3603	Body	14	12	1	94-3688	Sleeve - Protective	10	46	1
94-3603	Body	14	12	1	94-3691	Instrument Panel WA	4	20	1
94-3604	Backplate/Relief Assembly	14	7	1	94-3691	Panel-Instrument	3	62	1
94-3605	Backplate/Relief Assembly	14	7	1	94-3692	Harness-Wire	14	58	1
94-3606	Key	14	10	1	94-3692	Wire Harness Assembly	4	25	1
94-3606	Key	14	10	1	94-3694	Angle-Right	2	43	1
94-3607	Cartridge-Relief Valve	14	20	1	94-4985	Decal-Instrument Panel	4	19	1
94-3608	Body-Relief Valve	14	19	1	218-461	Nut-HH	2	35	1
94-3609	Piston	14	8	1	218-562	Lens - Light	4	31	1
94-3610	Shaft	14	6	1	218-578	Fuse-10 Amp	4	4	2
94-3611	Head	14	3	1	218-594	Fuse-20 Amp	4	3	1

*Not Illustrated

TORO PART NUMBER INDEX (Cont.)

Part No.	Description	Pg. Ref.			Part No.	Description	Pg. Ref.		
		No.	No.	Qty.			No.	No.	Qty.
219-18	Bulb - Licht	4	30	1	2412-36	Clamp-Hose	10	15	1
2112-11	Clamp-Muffler	14	28	1	2412-36	Clamp-Hose	7	40	2
232-27	Stem-Valve	14	25	1	2412-39	Clamp-R	2	16	3
232-27	Stem-Valve	14	41	2	2412-39	Clamp-R	4	24	1
233-37	Knob	14	7	1	2412-41	Clamp-R	7	41	1
233-46	Knob	14	11	1	2412-92	Clamp-Hose	7	45	3
237-21	Seal-O-Ring	14	22	2	2412-96	Clamp-R	14	12	1
237-21	Seal-O-Ring	14	41	2	2412-104	Clamp-R	14	8	1
237-21	Seal-O-Ring	14	43	4	2412-106	Clamp-R	2	51	1
237-22	Seal-O-Ring	14	3	1	2412-108	Clamp-Hose	14	2	4
237-22	Seal-O-Ring	14	11	3	2412-108	Clamp-Hose	7	12	1
237-22	Seal-O-Ring	14	24	5	2412-108	Clamp-Hose	14	50	1
237-22	Seal-O-Ring	14	39	1	2412-133	Clamp-R	2	15	2
237-22	Seal-O-Ring	14	42	1	2414-36	Clamp-Hose	9	3	2
237-22	Seal-O-Ring	14	45	1	251-259	Bearing-Ball	13	31	1
237-30	Seal-O-Ring	14	7	13	252-66	Bearing-Thrust	11	36	1
237-30	Seal-O-Ring	14	11	6	252-71	Race-Bearing	11	35	2
237-30	Seal-O-Ring	14	20	6	252-95	Bearing	11	15	2
237-30	Seal-O-Ring	14	27	2	256-27	Bushing	6	23	2
237-30	Seal-O-Ring	10	40	3	256-115	Washer-Thrust	14	11	2
237-30	Seal-O-Ring	7	54	2	256-115	Washer-Thrust	14	36	1
237-37	Bumper-Rubber	2	55	2	256-245	Bushing	6	9	2
237-42	Seal-O-Ring	14	2	2	256-247	Bushing-Flg	6	13	2
237-42	Seal-O-Ring	14	12	3	256-320	Bushing	1	19	2
237-42	Seal-O-Ring	14	19	2	256-321	Bushing	2	38	4
237-42	Seal-O-Ring	14	21	2	2710-16	Connecting Link Asm	14	8	1
237-42	Seal-O-Ring	14	23	4	282-2	Clevis	14	33	2
237-42	Seal-O-Ring	14	41	1	282-4	Clevis	14	11	4
237-42	Seal-O-Ring	14	46	1	283-1	Pin-Clevis	14	31	2
237-65	Seal-O-Ring	14	24	4	283-2	Pin-Clevis	10	27	1
237-65	Seal-O-Ring	10	44	2	283-6	Pin-Clevis	14	9	4
237-65	Seal-O-Ring	14	48	4	283-62	Pin-Clevis	14	41	1
237-78	Seal-O-Ring	14	4	7	283-75	Pin-Clevis	14	7	2
237-78	Seal-O-Ring	14	21	2	283-75	Pin-Clevis	14	17	4
237-78	Seal-O-Ring	14	21	2	283-78	Clevis Pin	14	23	1
237-78	Seal-O-Ring	14	40	2	285-17	Plug	8	9	1
237-78	Seal-O-Ring	14	44	2	302-5	Fitting-Grease	14	1	3
237-79	Seal-O-Ring	14	5	1	302-5	Fitting-Grease	6	25	3
237-79	Seal-O-Ring	14	9	7	302-5	Ftg-Grease Str	14	18	1
237-79	Seal-O-Ring	14	12	3	302-58	Fitting-Grease	14	1	1
237-79	Seal-O-Ring	14	40	1	302-60	Fitting-Lube	6	16	1
237-79	Seal-O-Ring	10	43	4	302-60	Fitting-Lube	14	18	1
237-80	Seal-O-Ring	14	16	6	302-60	Fitting-Lube	14	20	2
237-80	Seal-O-Ring	14	28	2	321-2	Screw-Cap Hex. Hd.	14	5	4
237-80	Seal-O-Ring	10	41	1	321-3	Screw-Cap Hex. Hd.	3	64	1
237-80	Seal-O-Ring	14	47	4	321-5	Screw-HH	14	16	8
237-81	Seal-O-Ring	9	26	4	321-6	Screw-HH	13	14	2
237-81	Seal-O-Ring	10	42	3	321-8	Screw-HH	2	31	2
237-156	Seal-O-Ring	14	12	2	321-11	Screw-HH	2	8	2
240-11	Grommet	9	10	3	321-13	Screw-Cap Hex. Hd.	10	32	3
240-11	Grommet	14	14	3	321-23	Screw-HH	14	4	2
242-50	Nut-Lug	14	22	8	321-43	Screw-HH	14	18	1
242-50	Nut-Lug	14	24	4	322-3	Screw-Cap Hex. Hd.	11	1	2
2410-18	Plug	14	2	1	322-3	Screw-HH	1	31	4
2411-52	Bearing-Rod End RH	13	21	1	322-4	Screw-HH	14	10	2
2411-53	Bearing-Rod End LH	13	23	1	322-4	Screw-HH	14	30	1
2412-34	Clamp-Hose	9	14	4	322-5	Screw-HH	14	55	1
2412-34	Clamp-Hose	10	25	2	322-6	Screw-Cap Hex. Hd.	13	46	1
2412-34	Clamp-Hose	7	29	2	322-9	Screw-HH	14	1	1
2412-34	Clamp-Hose	14	32	2	322-9	Screw-HH	14	14	1
2412-36	Clamp-Hose	14	9	2	322-9	Screw-HH	13	22	4

*Not Illustrated

TORO PART NUMBER INDEX (Cont.)

Part No.	Description	Pg. No.	Ref. No.	Qty.	Part No.	Description	Pg. No.	Ref. No.	Qty.
322-10	Screw-Cap Hex. Hd.	14	19	2	3234-17	Screw-HH	7	6	4
322-12	Screw HH	14	19	1	3234-24	Screw-HH	14	56	7
322-12	Screw HH	6	19	1	3234-25	Bolt-Flange	14	1	6
322-17	Screw-HH	14	4	1	3234-28	Screw-HH	14	1	2
322-17	Screw-HH	13	12	1	3234-28	Screw-HH	7	18	8
322-20	Screw-Cap Hex. Hd.	11	29	2	3234-32	Screw-HH	14	14	2
322-23	Screw-Cap Hex. Hd.	3	60	1	3234-32	Screw-HH	14	39	1
322-26	Screw-HH	14	32	1	3245-36	Screw-Set	10	34	1
323-5	Screw-Cap Hex. Hd.	14	23	2	3249-3	Screw Rd Hd	13	1	2
323-5	Screw-HH	9	12	3	3250-13	Screw-Pan Hd	4	10	2
323-5	Screw-HH	14	16	3	3253-3	Washer-Lock	14	6	4
323-5	Screw-HH	13	40	1	3253-3	Washer-Lock	10	33	3
323-6	Screw-HH	7	22	4	3253-4	Washer-Lock	14	30	4
323-7	Screw-Cap Hex. Hd.	14	12	2	3253-4	Washer-Spring Lock	14	9	2
323-7	Screw-HH	14	3	2	3253-4	Washer-Spring Lock	1	22	6
323-7	Screw-HH	14	11	1	3253-4	Washer-Spring Lock	14	31	1
323-7	Screw-HH	13	37	2	3253-4	Washer-Spring Lock	14	33	1
323-7	Screw-HH	10	39	2	3253-4	Washer-Spring Lock	13	35	3
323-9	Screw-HH	10	6	2	3253-5	Washer-Lock	14	12	1
323-57	Screw-Cap Hex. Hd.	14	13	2	3253-6	Washer-LK	14	2	1
325-6	Screw-HH	14	17	1	3254-9	Washer-Lock Int Tooth	14	7	2
325-11	Screw-HH	14	10	4	3254-9	Washer-Lock Int Tooth	13	8	2
325-36	Screw-HH	10	26	1	3255-2	Washer-Lock Ext Tooth	14	15	1
3210-7	Screw-HH	13	32	2	3255-8	Washer-Lock	14	17	2
3212-5	Screw-HH	14	1	1	3255-17	Washer-Lock	14	51	1
3217-6	Nut-Hex,	1	21	2	3255-17	Washer-Lock Ext. Tooth	14	29	2
3217-6	Nut-Hex.	14	29	1	3256-3	Washer-Flat	14	28	4
3217-6	Nut-Hex.	13	47	1	3256-6	Washer-Flt	14	13	2
3217-29	Nut-HH	13	7	2	3256-6	Washer-Flt	14	38	1
3219-14	Nut-Hex.	14	3	1	3256-14	Washer-Flat	14	30	2
3220-2	Nut-Hex Jam	13	10	2	3256-16	Washer-Flat	14	14	8
3220-2	Nut-Hex Jam	14	34	2	3256-22	Washer-Flt	14	3	2
3220-3	Nut-HJ	14	11	2	3256-22	Washer-Flt	7	7	2
3220-3	Nut-HJ	6	18	2	3256-22	Washer-Flt	2	30	3
3220-5	Nut-Hex Jam	6	3	1	3256-23	Washer-FLT	14	11	12
3220-6	Nut-Hex.	14	13	1	3256-23	Washer-Flat	1	23	6
3220-12	Nut-Hex Jam	14	12	1	3256-23	Washer-Flt	14	3	1
3220-20	Nut-Jam	13	24	1	3256-23	Washer-Flt	7	5	2
3229-1	Bolt-Carriage	1	6	2	3256-23	Washer-Flt	13	33	3
3229-22	Screw-Carriage	2	10	2	3256-23	Washer-Flt	2	59	1
3230-1	Bolt-Carriage	2	44	1	3256-24	Washer-Flat	14	11	6
3230-1	Screw-Carriage	14	17	2	3256-24	Washer-Flat	14	21	4
3230-2	Bolt-Carriage	2	18	2	3256-24	Washer-Flat	13	28	2
3230-2	Screw-Carriage	13	6	2	3256-26	Washer-Flt	14	28	2
3230-23	Screw-Carriage	9	13	6	3256-27	Washer-Flt	6	11	2
3230-23	Screw-Carriage	1	18	2	3256-53	Washer-Flt	13	2	2
3230-27	Screw-Carriage	1	4	1	3256-53	Washer-Flt	14	6	1
3231-22	Bolt-Carriage	7	32	2	3256-57	Washer-Flt	14	34	1
3234-4	Screw-HH	4	6	3	3257-42	Key	14	23	1
3234-4	Screw-HH	7	8	4	3257-42	Key-Woodruff	14	17	1
3234-4	Screw-HH	9	18	2	3257-42	Key-Woodruff	14	17	1
3234-4	Screw-HH Whiz	2	13	3	3257-42	Key-Woodruff	14	17	1
3234-5	Screw-Cap Hex. Hd.	14	41	2	3272-4	Pin-Cotter	14	15	1
3234-5	Screw-FLG	14	34	1	3272-6	Pin-Cotter	14	27	5
3234-5	Screw-Flg	2	1	18	3272-6	Pin-Cotter	10	28	1
3234-5	Screw-Flg	1	8	13	3272-10	Pin-Cotter	14	9	2
3234-5	Screw-Flg	14	8	2	3272-10	Pin-Cotter	14	18	4
3234-5	Screw-Flg	7	25	4	3272-10	Pin-Cotter	14	42	1
3234-5	Screw-Flg	14	26	3	3272-11	Pin-Cotter	14	5	1
3234-11	Screw-Flange	2	32	4	3272-11	Pin-Cotter	14	10	5
3234-17	Screw-Cap Hex. Hd.	1	33	1	3274-90	Scr-Hex Sckt	4	11	2

*Not Illustrated

TORO PART NUMBER INDEX (Cont.)

Part No.	Description	Pg. Ref. No. No. Qty.	Part No.	Description	Pg. Ref. No. No. Qty.
3274-99	Screw-Socket Hd.	14 24 8	32128-44	Nut-Flange Lock	13 44 3
3290-55	Rivet-Pop	6 7 2	32128-44	Nut-Flange, Lrg	1 12 12
3290-130	Screw-Phillips	14 8 2	32128-44	Nut-Flange, Lrg .312-18	2 17 11
3290-379	Tie - Cable	10 45 2	32128-44	Nut-Lock	14 29 2
3290-379	Tie-Cable	14 22 1	32128-44	Nut-Lock	14 38 3
3290-379	Tie-Cable	2 37 1	32144-14	Screw-HH	14 13 1
3290-412	Rivet-Pop	14 8 1	32144-18	Screw-HWH	4 8 2
3290-432	Screw-HH	14 57 1	32148-7	Nut-Clinch	2 3 6
3290-467	Pin-Cotter, Hair	1 14 1	32148-7	Nut-Clinch	1 13 3
3296-2	Nut-Lock	4 5 2	32148-8	Nut-Clinch	7 20 3
3296-6	Nut-Lock	10 30 1	32148-8	Nut-Clinch	1 26 1
3296-16	Nut-Lock	13 5 2	32148-8	Nut-Clinch	2 33 1
3296-16	Nut-Lock	14 16 2	32148-14	Nut-Insert	14 47 1
3296-22	Nut-Lock	14 10 2	32149-9	Nut-Flg	4 18 2
3296-23	Nut-Hex Lock	14 1 8	32151-13	Ring-Retaining	11 39 1
3296-23	Nut-Hex Lock	10 4 1	32151-29	Ring-Retaining	11 34 2
3296-23	Nut-Hex Lock	14 7 4	32152-10	Nut-Lock	14 3 1
3296-29	Nut-Hex Lock	14 12 1	32152-10	Nut-Lock	14 10 1
3296-29	Nut-Hex Lock	7 15 2	33004-00	Nut-HF	14 7 4
3296-29	Nut-Hex Lock	14 19 1	340-2	Adaptor	14 31 1
3296-29	Nut-Hex Lock	6 20 1	340-2	Fitting-Hydraulic Straight	14 10 2
3296-29	Nut-Hex Lock	13 41 3	340-4	Adaptor	14 33 1
3296-29	Nut-Lock	14 45 2	340-4	Fitting-Hydraulic Straight	14 8 4
3296-33	Nut-Lock Nylon	6 12 2	340-4	Fitting-ORS	14 7 1
3296-39	Nut-Hex Lock	14 5 1	340-4	Fitting-ORS	10 13 1
3296-39	Nut-Hex Lock	14 5 2	340-5	Ftg-ORS	14 9 2
3296-39	Nut-Hex Lock	10 10 2	340-6	Fitting-Hydraulic Straight	14 15 3
3296-39	Nut-Hex Lock	14 17 1	340-6	Fitting-ORS	14 3 2
3296-39	Nut-Hex Lock	13 36 2	340-17	Elbow ORS	14 11 4
3296-42	Nut-Hex Lock	14 13 8	340-70	Nut-Bulkhead	14 31 1
3296-42	Nut-Hex Lock	7 17 2	340-74	Nut-Bulkhead	14 32 2
3296-42	Nut-Hex Lock	2 56 2	340-77	Fitting	14 10 1
3296-59	Nut-Lock	14 17 2	340-77	Fitting-Hyd 90°	14 10 1
3296-59	Nut-Lock	13 27 1	340-77	Fitting-Hydraulic 90°	14 35 1
32104-6	Screw-HH	14 2 2	340-86	Ftg-Hyd, Tee	14 2 2
32104-6	Screw-HH	14 12 1	340-92	Fitting-Straight	14 13 2
32104-82	Screw-HWH	1 15 5	340-92	Fitting-Straight	14 22 1
32104-116	Screw-HFH	7 47 6	340-98	Fitting	14 5 1
32105-1	Screw-HH	14 28 2	340-98	Fitting	10 21 1
32121-6	Pin-Roll	13 19 1	340-103	Fitting	14 21 1
32121-6	Pin-Roll	2 22 1	340-105	Elbow	10 17 1
32121-6	Pin-Roll	14 30 2	340-105	Fitting-Hydraulic 90°	14 18 3
32121-10	Pin-Roll	6 2 1	340-109	Fitting-Hydraulic Tee	14 22 1
32121-38	Pin-Spring	14 15 1	340-109	Fitting-Tee	14 6 1
32122-2	Screw-Round Hd.	14 2 1	340-127	Nut-Bulkhead ORS	7 33 2
32128-20	Nut-Lock Fl Whz	14 2 2	340-139	90 Degree Elbow	10 12 2
32128-20	Nut-Lock, Fl, Whz	1 3 2	340-140	Tee	14 21 2
32128-33	Nut-Lock Flange	7 48 2	340-153	Fitting-Hydraulic 90°	14 23 1
32128-33	Nut-Lock Flg	1 10 2	340-155	Fitting-Hydraulic Straight	14 25 1
32128-33	Nut-Lock Flg	4 22 3	353-949	O-Ring	10 20 1
32128-33	Nut-Lock Flg	2 28 6	353-987	Fitting-90°	10 16 1
32128-43	Nut-Flange	14 39 7	353-987	Fitting-90°	9 22 1
32128-43	Nut-Flange Lock	14 14 2	353-988	Plug Assembly	14 6 1
32128-43	Nut-Whiz	14 3 5	353-989	Plug Assembly	14 20 2
32128-43	Nut-Whiz Flg	2 29 4	353-990	Plug Assembly	14 3 7
32128-43	Nut-Whiz Flg	7 31 6	353-991	Plug Assembly	14 13 2
32128-44	Nut-Flange	14 3 3	354-23	Ball	14 5 1
32128-44	Nut-Flange	14 5 2	354-77	Ftg-Quick Conn	14 15 2
32128-44	Nut-Flange	9 5 6	354-79	Cap-Fitting Yellow	14 14 2
32128-44	Nut-Flange	7 16 6	354-127	Fitting-45°	9 16 1
32128-44	Nut-Flange	14 38 1			

*Not Illustrated

IDENTIFICATION AND ORDERING

MODEL AND SERIAL NUMBERS

The Reelmaster 2300D has two identification numbers; a model number and a serial number. The two numbers are stamped on a plate which is located on the main frame under the seat. In any correspondence concerning the Reelmaster 2300D, supply model and serial numbers to assure that correct information and replacement parts are obtained.

To order replacement parts from an Authorized TORO Service Dealer, supply the following information:

1. Model and serial number of the Reelmaster 2300D.
2. Part number, description, and the quantity of part(s) desired.

NOTE: Do not order by reference number if a parts catalog is being used; use the PART NUMBER.

TABLE OF CONTENTS

Description	Page	Description	Page
Hood & Grille Assembly	1	Fuel System Assembly	38
Skirt Assembly	2-3	Special Tools	39
Instrument Panel Assembly	4	Cylinder Block Assembly	40
Electrical Schematic	5	Crankshaft Assembly	41
Frame Assembly	6	Cylinder Head Assembly	42
Radiator Assembly	7	Rocker Arm Assembly	43
Air Cleaner Assembly No. 93-2190	8	Camshaft Assembly	44
Hydraulic Reservoir & Filter Assembly	9	Timing Cover Assembly	45
Hydraulic Pump Installation Assembly	10	Oil Pump Assembly	46
Hydraulic Pump Assembly No. 93-6751	11	Fuel Injection System Assembly	47
Hydraulic Pump Assembly No. 93-6974	12	Injection Pump Assembly	48
Traction Control Assembly	13	Rear Plate & Seal	49
Front Wheel Assembly	14	Flywheel Assembly	50
Hydraulic Drive Motor No. 75-9990	15	Starter Installation Assembly	51
Hydraulic Drive Motor No. 93-6888	16	Starter Assembly	52
Drive Motor Plumbing Assembly	17	Oil Sump Assembly	53
Rear Wheel Drive Valve Assembly	18	Valve Cover Assembly	54
Two Position Valve Assembly No. 92-3196	19	Oil Filter Assembly	55
Hydraulic Schematic	20	Front Drive Pulley Assembly	56
Engine Installation Assembly	21-22	Water Pump Assembly	57
Cutting Unit Lift Valve Installation Assembly	23	Alternator Assembly	58
Control Valve No. 43-1950	24	Timing Cover Plate Assembly	59
Front Cutting Unit Lift Assembly	25	Exhaust Manifold Assembly	60
Hydraulic Manifold Assembly No. 93-6718	26	Low Pressure Fuel System Assembly	61
Hydraulic Cylinder Assembly No. 93-6774	27	Lift Pump Assembly	62
Cutting Unit Hydraulic Plumbing Assembly ..	28-29	Fuel Filter Assembly	63
Reel Motor Assembly No. 93-6972	30	Cold Start System Assembly	64
Reel Motor Assembly No. 93-6975	31	Engine Lifting Tab Assembly	65
Front Cutting Unit Lift Arm Assembly	32	Throttle Stop Assembly	66
Rear Cutting Unit Lift Arm Assembly	33	Recorder Assembly	67
Hydraulic Cylinder Assembly No. 93-6869	34	Electrical Component Assembly	68
Cutting Unit Carrier Frames	35	Gasket & Seals	69
Rear Wheel Assembly	36	TORO Part Number Index	70-76
Hydraulic Drive Motor No. 75-9990	37		

