



**Count on it.**

**Parts Catalog**

**TITAN ZX4820 Zero-Turn-Radius  
Riding Mower**

**Model No. 74841—Serial No. 31200001 and Up**

# Ordering Replacement Parts

To order replacement parts, please supply the part number, the quantity, and the description of each part desired.

## Understanding Reference Numbers

Each identified part in an illustration has a reference number. The reference number for a part also appears in the parts list, along with other information about the part.

This catalog uses two special reference number formats, one to indicate parts in a service assembly and another to indicate the quantity of a given part in an illustration.

## Service Assembly Reference Numbers

Parts in service assemblies have reference numbers in the form a:b. The a represents the reference number of the entire service assembly and the b represents a sequential number unique to each part within the service assembly.

For example, a wheel assembly might be identified by reference number 6, the tire by 6:1, the valve by 6:2, and the wheel by 6:3. When you order the assembly identified by reference number 6, you receive all parts identified by reference numbers 6:1, 6:2, and 6:3. However, you may also order any part individually. Reference numbers of this type appear in illustration and in parts lists.

## Reference Numbers Indicating Quantity

In an illustration, if a reference number indicates more than one part, the reference number has the form nX y. The n represents the quantity of the part, the X is the multiplication symbol, and the y represents the reference number.

For example, in an illustration, the reference number 2X 37 means that two of the parts identified by reference number 37 are indicated.

# List of Abbreviations

**AR:** as required

**ASM:** assembly

**BBC:** blade brake control

**BHTF:** button head thread forming

**CARR:** carriage

**CCW:** counter clockwise

**CW:** clockwise

**DEG:** degrees

**DPA:** Dual Point Adjustment

**ECM:** electronic control module

**EXT:** external

**FH:** flat head

**GA:** gauge

**HD:** heavy-duty

**HF:** hex flange

**HH:** hex head

**HHF:** hex head flange

**HHFTF:** hex head flange thread forming

**HJ:** hex jam

**HLH:** hex lag head

**HOC:** height-of-cut

**HSBH:** hex socket button head

**HSFH:** hex socket flat head

**HSH:** hex socket head

**HWH:** hex washer head

**HWHTF:** hex washer head thread forming

**HYD:** hydraulic

**LH:** left hand

**LPG:** Liquid Propane Gas

**NI:** nylon insert

**NPTF:** national pipe thread fine

**PFH:** phillips flat head

**PPH:** phillips pan head

**PPHTF:** phillips pan head thread forming

**PRH:** phillips round head

**PTH:** phillips truss head

**PTO:** power-take-off

**RH:** right hand

**ROPS:** roll-over protection system

**RRB:** rear roller brush

**SFH:** slotted fillister head

**SHH:** slotted hex head

**SHWH:** slotted hex washer head

**SPH:** slotted pan head

**SQH:** square head

**SRH:** slotted round head

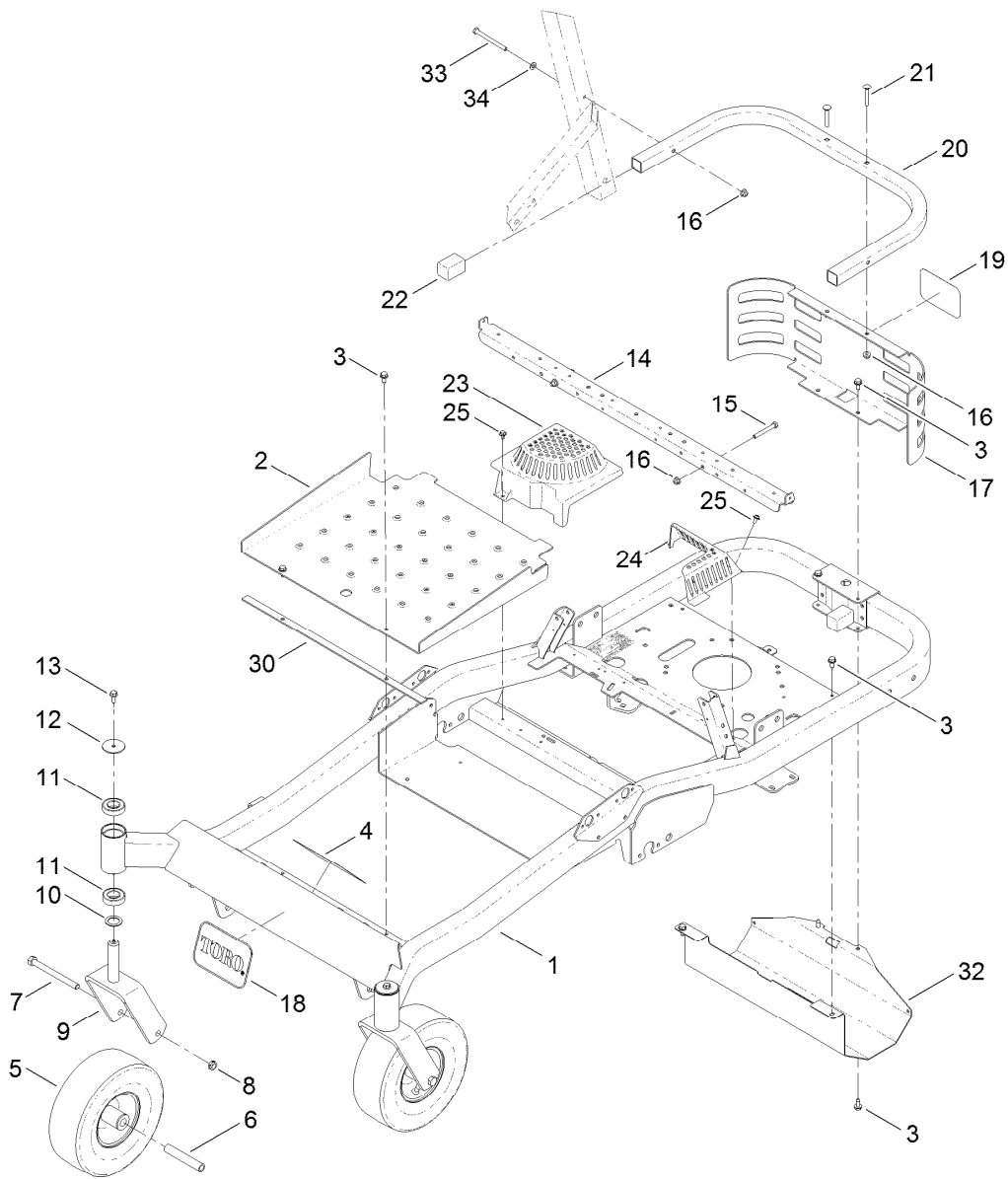
**STD:** standard

**TAP:** self tapping

**TTH:** torx truss head

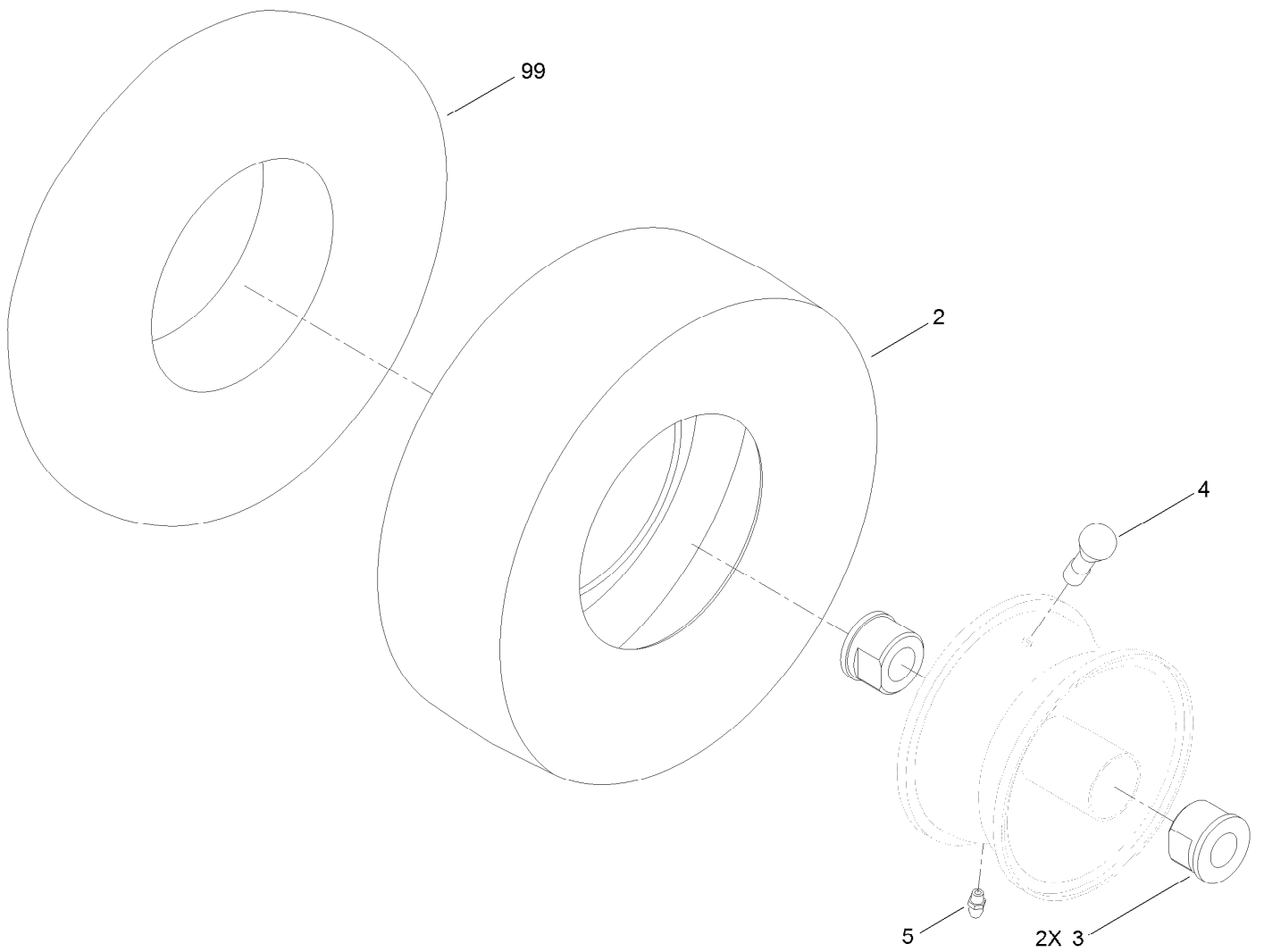
# Contents

|   |    |
|---|----|
| Main Frame and Caster Wheel Assembly .....        | 4  |
| Wheel and Tire Assembly No. 115-2554 .....        | 5  |
| Control Panel and Body Styling Pod Assembly ..... | 6  |
| Deck Lift Assembly .....                          | 7  |
| Seat Assembly .....                               | 8  |
| Traction Drive Assembly .....                     | 9  |
| RH Hydro Assembly No. 115-2550 .....              | 10 |
| LH Hydro Assembly No. 115-2551 .....              | 12 |
| Motion Control Assembly .....                     | 14 |
| Brake Link Assembly .....                         | 16 |
| Engine, Muffler and Clutch Assembly .....         | 17 |
| Fuel Delivery Assembly .....                      | 18 |
| Multi Layer Fuel Tank Assembly No. 117-7352 ..... | 19 |
| Roll-Over Protection System Assembly .....        | 20 |
| Electrical Assembly .....                         | 21 |
| 48 Inch Deck Assembly .....                       | 22 |
| 48 Inch Deck Decal Assembly No. 119-3383 .....    | 23 |
| 48 Inch Deck Belt and Hi-Flo Blade Assembly ..... | 24 |
| Attachments and Accessories .....                 | 25 |



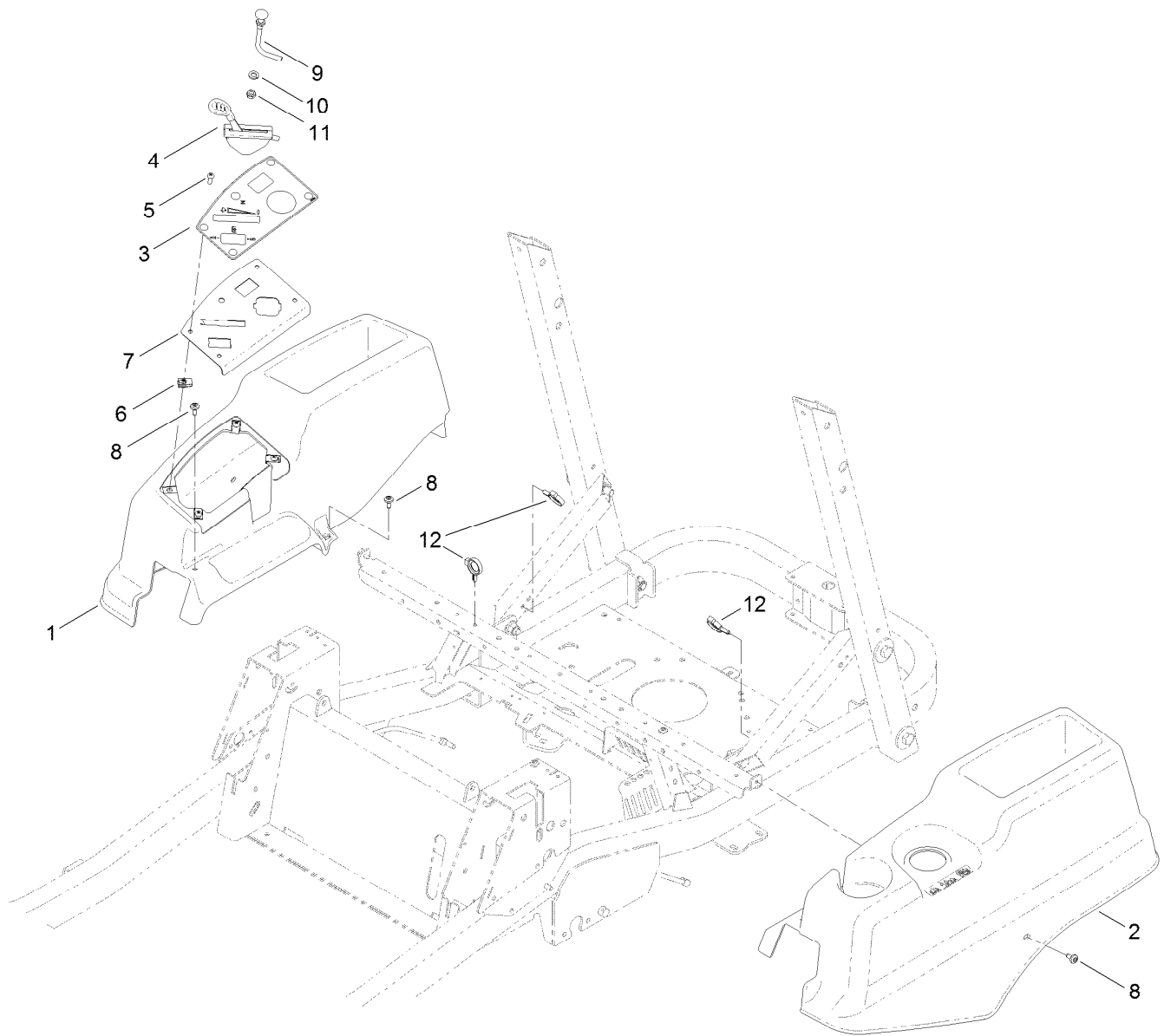
## Main Frame and Caster Wheel Assembly

| Ref. | Part Number | Qty. | Description        | Ref. | Part Number | Qty. | Description           |
|------|-------------|------|--------------------|------|-------------|------|-----------------------|
| 1    | 117-7356-01 | 1    | Frame ASM          | 16   | 104-8300    | 6    | Nut-Flange, NI        |
| 2    | 115-2531-05 | 1    | Pan-Floor          | 17   | 120-2248-03 | 1    | Guard-Rear            |
| 3    | 32144-70    | 8    | Screw-HWHTF        | 18   | 62-5550     | 1    | Decal                 |
| 4    | 120-5466    | 1    | Decal-Safety       | 19   | 105-8278    | 1    | Decal                 |
| 5    | 115-2554    | 2    | Wheel And Tire ASM | 20   | 121-0704-01 | 1    | Tube-Guard            |
| 6    | 104-3667    | 2    | Spanner-Wheel      | 21   | 3230-6      | 2    | Screw-CARR            |
| 7    | 325-22      | 2    | Screw-HH           | 22   | 121-2980    | 2    | Cap                   |
| 8    | 3296-45     | 2    | Nut-Lock, NI       | 23   | 117-1241    | 1    | Cover-Fan, RH         |
| 9    | 110-6634-01 | 2    | Caster Fork ASM    | 24   | 117-1242    | 1    | Cover-Fan, LH         |
| 10   | 10-8110     | 2    | Washer-Thrust      | 25   | 46-8560     | 2    | Screw-HHFTF           |
| 11   | 109-3678    | 4    | Bearing-Ball       | 30   | 117-7238    | 1    | Strip-Vibration, Anti |
| 12   | 109-3724    | 2    | Washer             | 32   | 120-2247-03 | 1    | Guard-Muffler         |
| 13   | 3234-47     | 2    | Screw-HHF          | 33   | 322-23      | 2    | Screw-HH              |
| 14   | 119-8997-03 | 1    | Support-Seat       | 34   | 3256-23     | 2    | Washer-Flat           |
| 15   | 322-12      | 2    | Screw-HH           |      |             |      |                       |



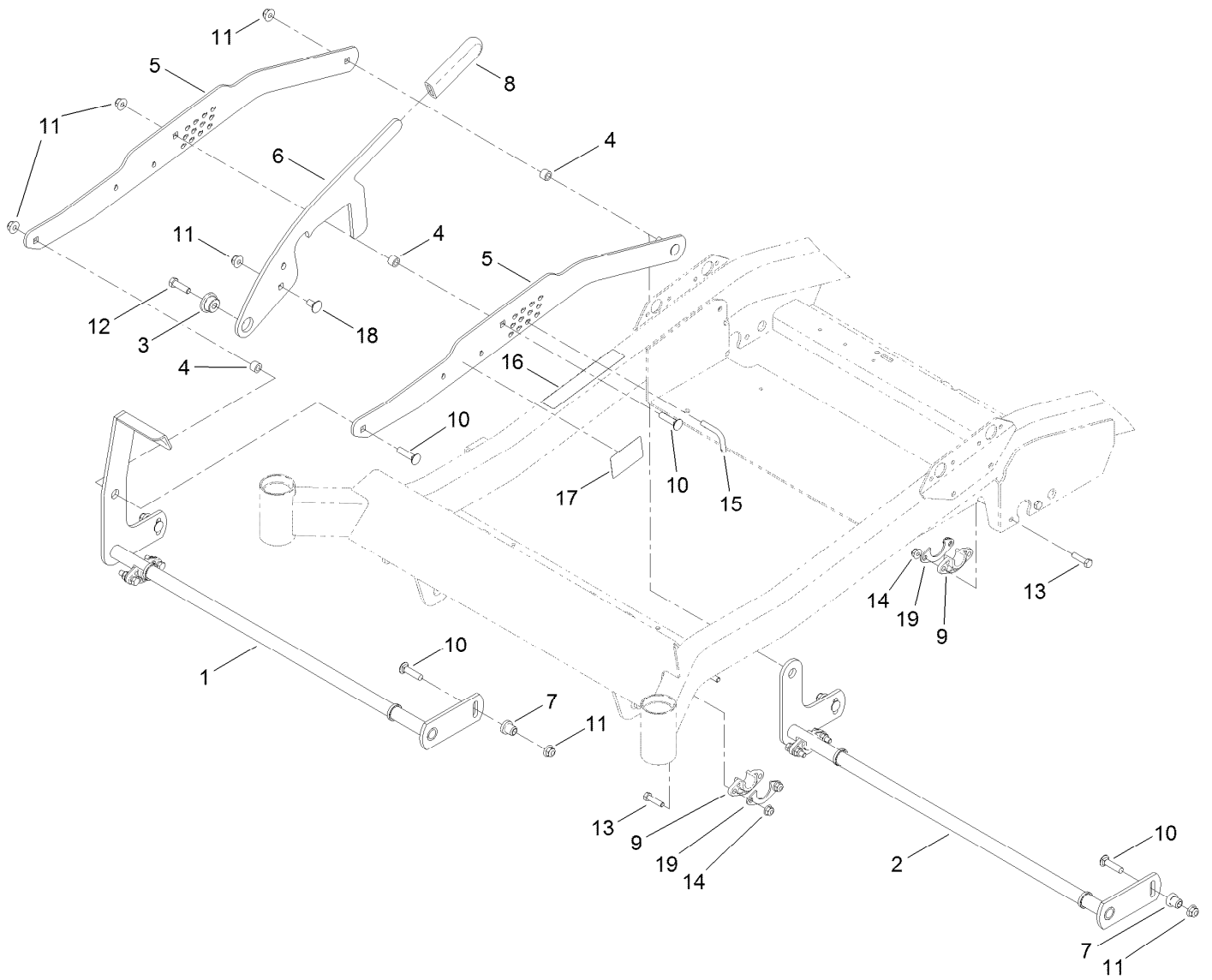
## Wheel and Tire Assembly No. 115-2554

| <i>Ref.</i> | <i>Part Number</i> | <i>Qty.</i> | <i>Description</i> |
|-------------|--------------------|-------------|--------------------|
| 2           | 115-2557           | 1           | Tire-Smooth        |
| 3           | 114-1640           | 2           | Bushing-Flange     |
| 4           | 232-27             | 1           | Stem-Valve         |
| 5           | 302-5              | 1           | Fitting-Grease     |
| 99          | 117-1234           | 1           | Tube-Inner         |



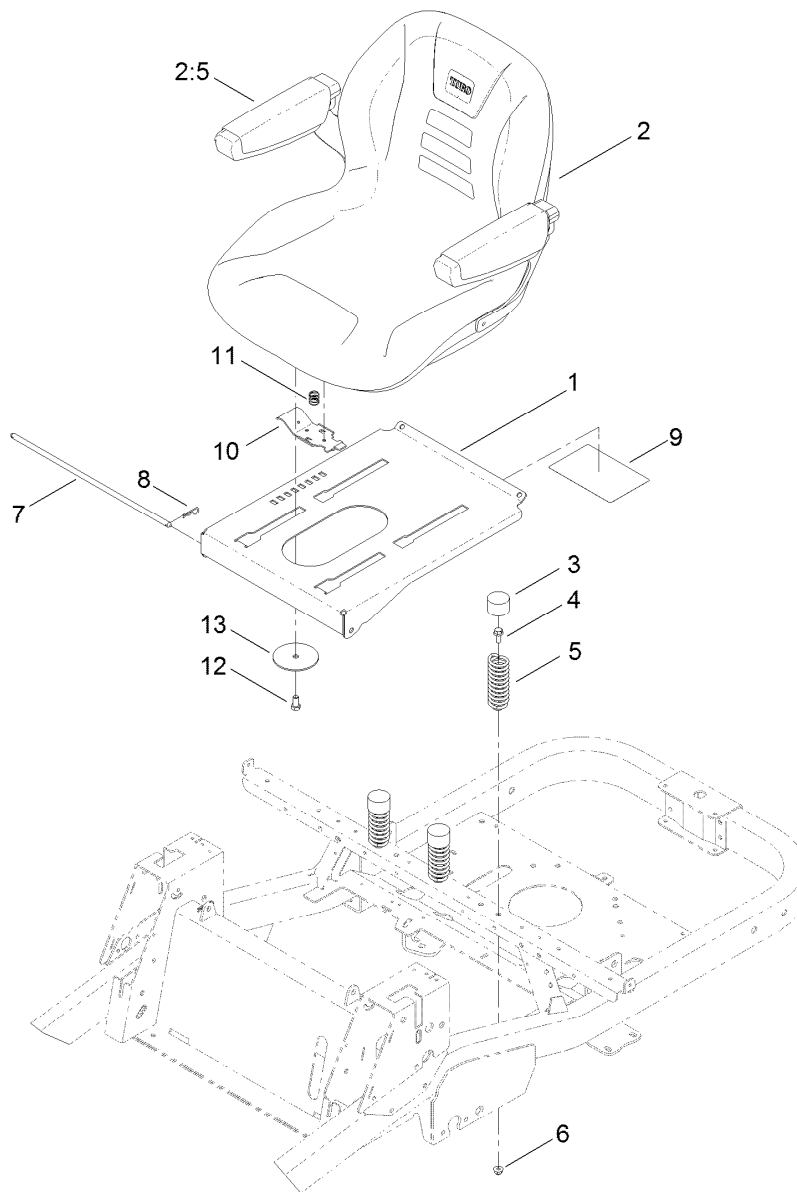
## Control Panel and Body Styling Pod Assembly

| <i>Ref.</i> | <i>Part Number</i> | <i>Qty.</i> | <i>Description</i>   |
|-------------|--------------------|-------------|----------------------|
| 1           | 115-2581           | 1           | Pod-RH               |
| 2           | 115-2582           | 1           | Pod-LH               |
| 3           | 115-9632           | 1           | Decal-Panel, Control |
| 4           | 121-0770           | 1           | Cable-Throttle       |
| 5           | 3258-166           | 4           | Screw-PRH            |
| 6           | 107069             | 4           | Clip                 |
| 7           | 115-2591-03        | 1           | Panel-Control        |
| 8           | 112-4004           | 6           | Screw-Shoulder       |
| 9           | 120-2291           | 1           | Cable-Choke          |
| 10          | 3253-21            | 1           | Washer-Lock          |
| 11          | 3220-3             | 1           | Nut-HJ               |
| 12          | 105-1853           | 2           | Clamp-Hose           |



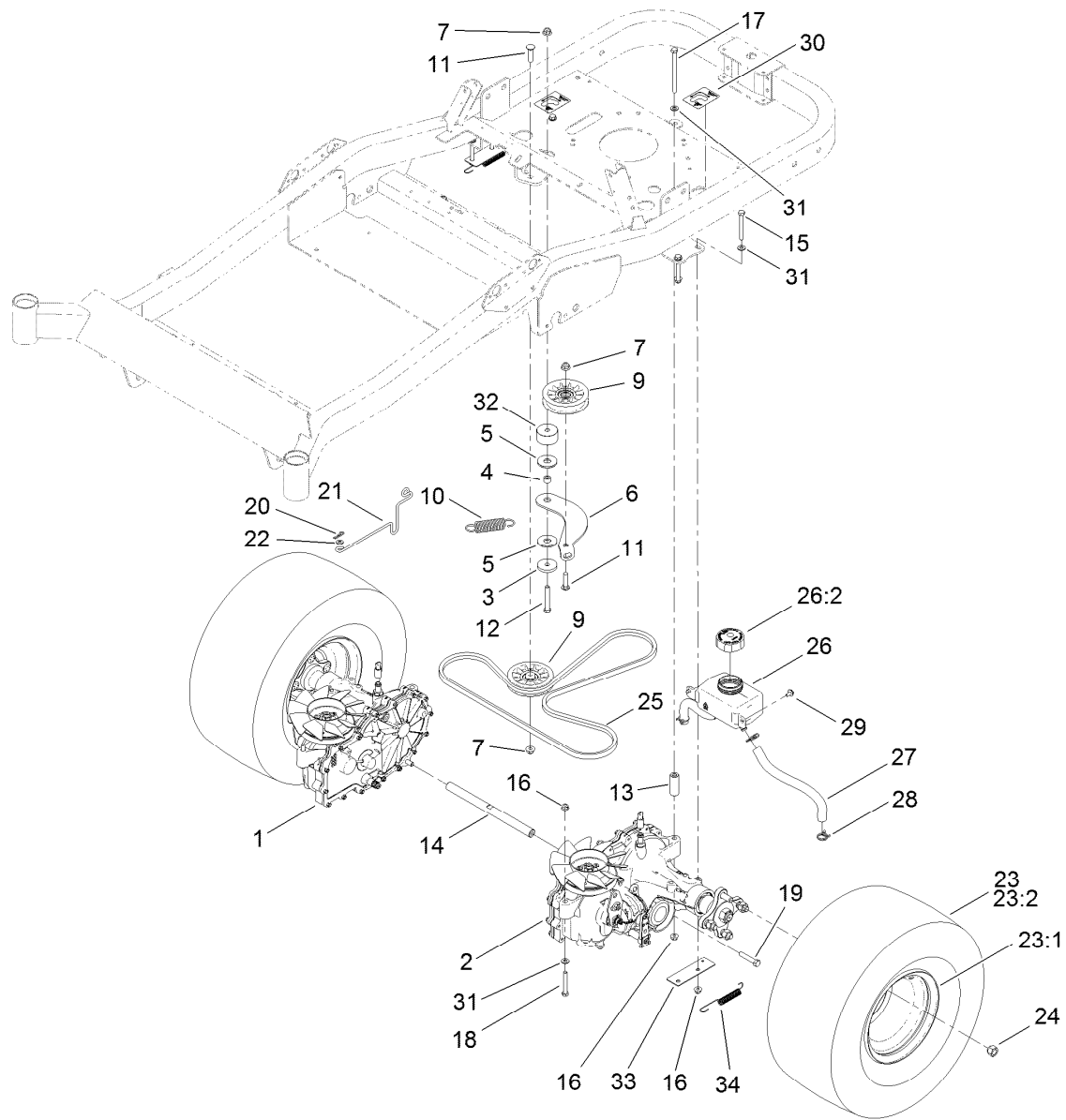
## Deck Lift Assembly

| <i>Ref.</i> | <i>Part Number</i> | <i>Qty.</i> | <i>Description</i> | <i>Ref.</i> | <i>Part Number</i> | <i>Qty.</i> | <i>Description</i> |
|-------------|--------------------|-------------|--------------------|-------------|--------------------|-------------|--------------------|
| 1           | 115-2495-03        | 1           | Pivot-Front        | 11          | 104-8301           | 8           | Nut-Flange, NI     |
| 2           | 115-2498-03        | 1           | Pivot-Rear         | 12          | 323-7              | 1           | Screw-HH           |
| 3           | 117-1281           | 1           | Bushing-Mount, HOC | 13          | 322-6              | 8           | Screw-HH           |
| 4           | 115-4986           | 3           | Spacer             | 14          | 104-8300           | 8           | Nut-Flange, NI     |
| 5           | 115-2503-03        | 2           | Plate-Lift, Foot   | 15          | 117-1280           | 1           | Pin-Keyed          |
| 6           | 115-2504           | 1           | Plate-Stop, HOC    | 16          | 115-9644           | 1           | Decal-HOC          |
| 7           | 65-5950            | 4           | Bushing-Pulley     | 17          | 117-5344           | 1           | Decal-Lock, Deck   |
| 8           | 1-633268           | 1           | Grip-Lever         | 18          | 3231-1             | 1           | Screw-CARR         |
| 9           | 115-5065           | 4           | Bushing-Flange     | 19          | 116-2887           | 4           | Gusset-Deck Lift   |
| 10          | 3231-4             | 7           | Screw-CARR         |             |                    |             |                    |



## Seat Assembly

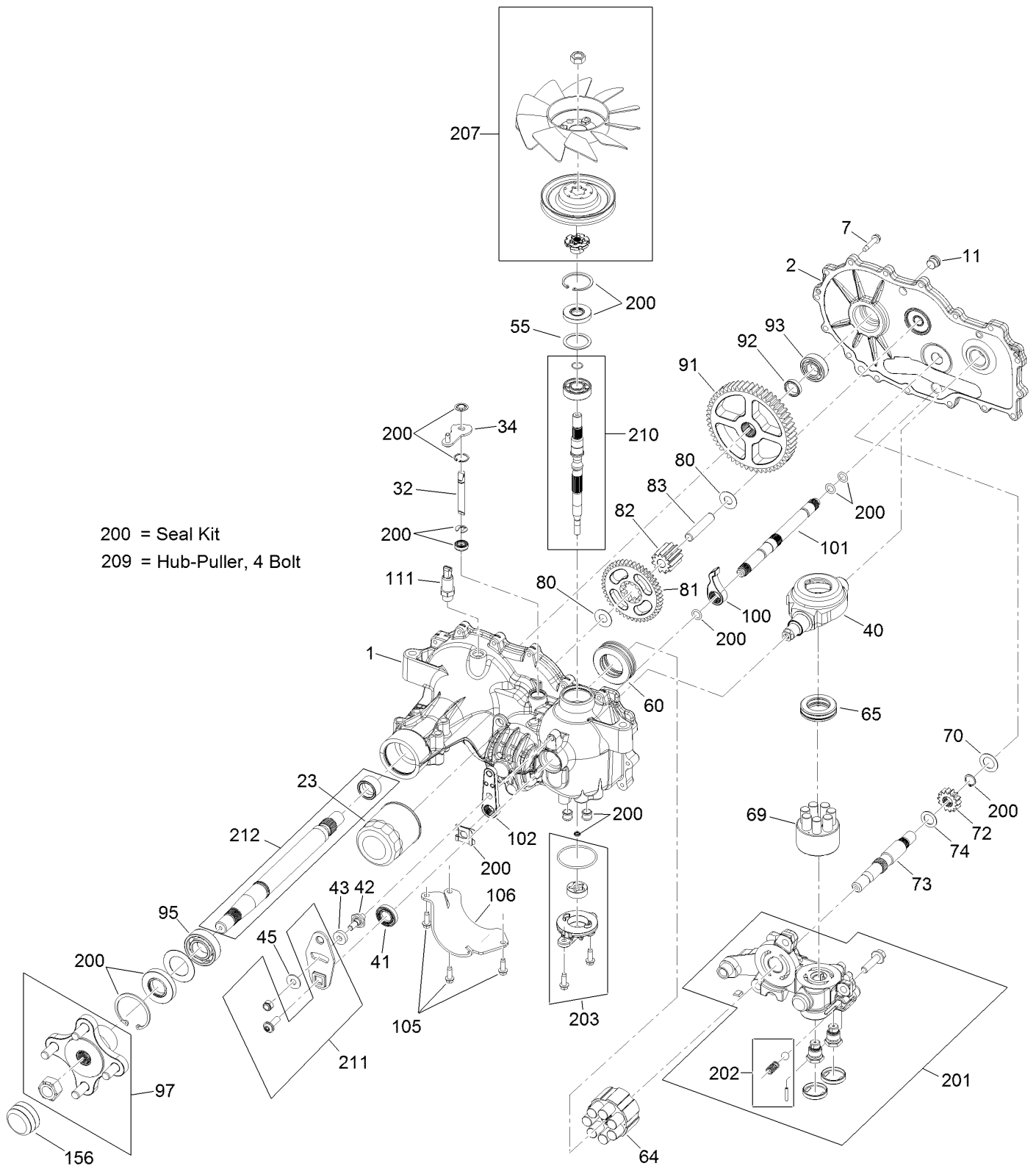
| <i>Ref.</i> | <i>Part Number</i> | <i>Qty.</i> | <i>Description</i> |
|-------------|--------------------|-------------|--------------------|
| 1           | 117-5320-03        | 1           | Pan-Seat           |
| 2           | 115-5053           | 1           | 18 Inch Seat ASM   |
| 2:5         | 119-3307           | 1           | Armrest Kit        |
| 3           | 701178             | 3           | Cap-Protector      |
| 4           | 3234-47            | 3           | Screw-HHF          |
| 5           | 92-7054            | 3           | Spring-Compression |
| 6           | 104-8300           | 3           | Nut-Flange, NI     |
| 7           | 115-4966           | 1           | Rod-Stop           |
| 8           | 3290-250           | 2           | Pin-Hair           |
| 9           | 115-9630           | 1           | Decal-Maintenance  |
| 10          | 115-9623           | 1           | Latch-Seat         |
| 11          | 115-9624           | 1           | Spring-Compression |
| 12          | 323-4              | 1           | Screw-HH           |
| 13          | 117-5307           | 1           | Washer-Seat        |



## Traction Drive Assembly

| Ref. | Part Number | Qty. | Description                | Ref. | Part Number | Qty. | Description        |
|------|-------------|------|----------------------------|------|-------------|------|--------------------|
| 1    | 115-2550    | 1    | RH Hydro Transmission ASM  | 19   | 323-10      | 2    | Screw-HH           |
| 2    | 115-2551    | 1    | LH Hydro Transmission ASM  | 20   | 1-806003    | 2    | Pin-Cotter, Hair   |
| 3    | 110-9981    | 1    | Washer-Plain               | 21   | 115-4990    | 2    | Rod-Bypass         |
| 4    | 115-4986    | 1    | Spacer                     | 22   | 3256-22     | 2    | Washer-Flat        |
| 5    | 114-0463    | 2    | Washer-Friction, Composite | 23   | 109-5486    | 2    | Wheel And Tire ASM |
| 6    | 117-5350    | 1    | Arm-Idler                  | 23:1 | 109-5487    | 1    | Wheel              |
| 7    | 104-8301    | 3    | Nut-Flange, NI             | 23:2 | 109-5488    | 1    | Tire               |
| 9    | 109-3397    | 2    | Pulley-Idler, Flat         | 24   | 242-50      | 8    | Nut-Lug            |
| 10   | 1-603402    | 1    | Spring-Extension           | 25   | 115-9613    | 1    | V-Belt             |
| 11   | 3231-4      | 2    | Screw-CARR                 | 26   | 115-9618    | 1    | HYD Reservoir ASM  |
| 12   | 323-12      | 1    | Screw-HH                   | 26:2 | 109-3320    | 1    | Cap-Reservoir, HYD |
| 13   | 109-3652    | 2    | Spacer-Hydro               | 27   | 115-4969    | 2    | Hose-Overflow      |
| 14   | 115-2559    | 1    | Shaft-Cross, Hydro         | 28   | 117-1193    | 4    | Clamp-Hose         |
| 15   | 322-13      | 4    | Screw-HH                   | 29   | 46-8560     | 2    | Screw-HHFTF        |
| 16   | 104-8300    | 8    | Nut-Flange, NI             | 30   | 117-1158    | 2    | Decal-Bypass       |
| 17   | 322-38      | 2    | Screw-HH                   | 31   | 3256-23     | 8    | Washer-Flat        |
| 18   | 322-11      | 2    | Screw-HH                   | 32   | 117-5351    | 1    | Spacer             |
|      |             |      |                            | 33   | 117-7248-03 | 2    | Plate-Spring       |
|      |             |      |                            | 34   | 110769      | 2    | Spring-Extension   |

# RH Hydro Assembly No. 115-2550



## RH Hydro Assembly No. 115-2550 (continued)

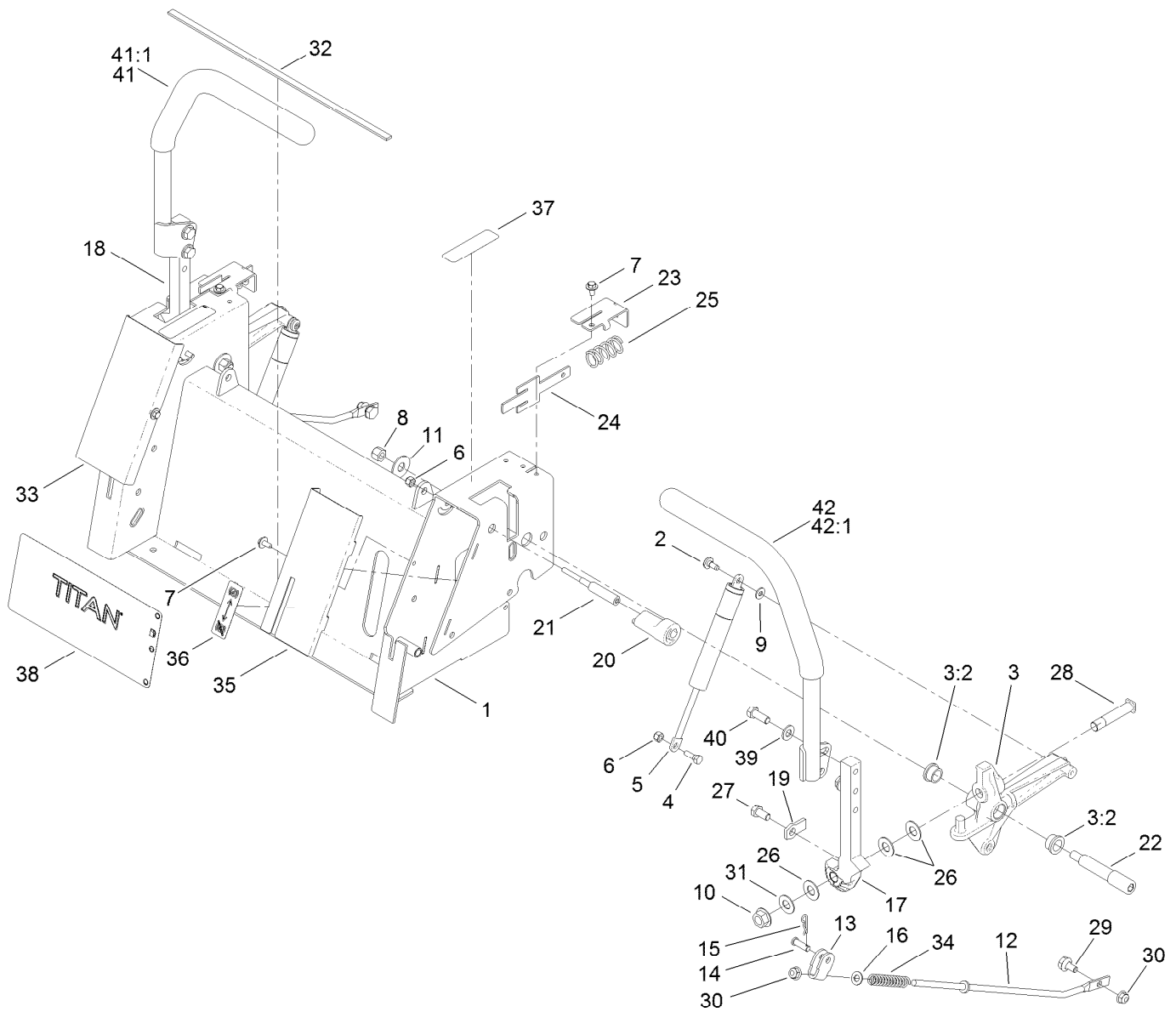
| <i>Ref.</i> | <i>Part Number</i> | <i>Qty.</i> | <i>Description</i>       | <i>Ref.</i> | <i>Part Number</i> | <i>Qty.</i> | <i>Description</i>    |
|-------------|--------------------|-------------|--------------------------|-------------|--------------------|-------------|-----------------------|
| 1           | 117-5357           | 1           | RH Main Housing Kit      | 82          | 114-1693           | 1           | Gear-11T              |
| 2           | 117-5358           | 1           | Housing Side Kit         | 83          | 104-5329           | 1           | Pin-Jackshaft         |
| 7           | 117-5359           | 16          | Screw-HHF                | 91          | 114-1694           | 1           | Gear-54T              |
| 11          | 104-2189           | 1           | Plug-Thread, Straight    | 92          | 120-7975           | 1           | Spacer                |
| 23          | 109-3321           | 1           | Element-Oil Filter, HYD  | 93          | 114-1696           | 1           | Bearing-Ball          |
| 32          | 114-1685           | 1           | Rod-Bypass               | 95          | 120-7976           | 1           | Bearing-Ball          |
| 34          | 107-2490           | 1           | Arm-Bypass               | 97          | 109-5939           | 1           | Hub Kit               |
| 40          | 104-5304           | 1           | Swashplate-Trunnion      | 100         | 114-1697           | 1           | Pawl-Brake            |
| 41          | 104-5313           | 1           | Seal-Lip                 | 101         | 120-7977           | 1           | Brake Shaft Kit       |
| 42          | 104-2116           | 1           | Stud                     | 102         | 125-0021           | 1           | Handle, Brake         |
| 43          | 112-9853           | 1           | Puck-Friction            | 105         | 104-2120           | 3           | Screw                 |
| 45          | 114-8491           | 1           | Washer                   | 106         | 120-7981           | 1           | Guard-Filter, RH      |
| 55          | 104-5308           | 1           | Spacer                   | 111         | 109-3278           | 1           | Adapter-Straight      |
| 60          | 112-4154           | 1           | Bearing-Thrust           | 156         | 115-5057           | 1           | Cover-Nut, Axle       |
| 64          | 114-1689           | 1           | Motor Cylinder Block Kit | 200         | 109-3537           | 1           | Complete Seal Kit     |
| 65          | 94-6922            | 1           | Bearing-Thrust           | 201         | 114-8463           | 1           | RH Center Section Kit |
| 69          | 110-8561           | 1           | Pump Block ASM           | 202         | 114-8464           | 1           | Charge Relief Kit     |
| 70          | 104-5339           | 1           | Washer-Flat              | 203         | 114-8465           | 1           | Charge Kit            |
| 72          | 114-1690           | 1           | Gear-14T                 | 207         | 125-0059           | 1           | Kit, Fan And Pulley   |
| 73          | 114-1691           | 1           | Shaft-Motor              | 209         | 114-8467           | 1           | Hub-Puller, 4 Bolt    |
| 74          | 104-5360           | 1           | Washer                   | 210         | 117-5361           | 1           | Shaft Input Kit       |
| 80          | 94-1933            | 1           | Washer                   | 211         | 117-5362           | 1           | Arm Control Kit       |
| 81          | 114-1692           | 1           | Gear-45T                 | 212         | 114-8470           | 1           | Axle Shaft Kit        |



## LH Hydro Assembly No. 115-2551 (continued)

| <i>Ref.</i> | <i>Part Number</i> | <i>Qty.</i> | <i>Description</i>       | <i>Ref.</i> | <i>Part Number</i> | <i>Qty.</i> | <i>Description</i>    |
|-------------|--------------------|-------------|--------------------------|-------------|--------------------|-------------|-----------------------|
| 1           | 114-8471           | 1           | Main Housing Kit         | 82          | 114-1693           | 1           | Gear-11T              |
| 2           | 114-8472           | 1           | Side Cover Kit           | 83          | 104-5329           | 1           | Pin-Jackshaft         |
| 7           | 117-5359           | 16          | Screw-HHF                | 91          | 114-1694           | 1           | Gear-54T              |
| 11          | 104-2189           | 1           | Plug-Thread, Straight    | 92          | 120-7975           | 1           | Spacer                |
| 23          | 109-3321           | 1           | Element-Oil Filter, HYD  | 93          | 114-1696           | 1           | Bearing-Ball          |
| 32          | 114-1685           | 1           | Rod-Bypass               | 95          | 120-7976           | 1           | Bearing-Ball          |
| 34          | 107-2490           | 1           | Arm-Bypass               | 97          | 109-5939           | 1           | Hub Kit               |
| 40          | 104-5304           | 1           | Swashplate-Trunnion      | 100         | 114-1697           | 1           | Pawl-Brake            |
| 41          | 104-5313           | 1           | Seal-Lip                 | 101         | 120-7977           | 1           | Brake Shaft Kit       |
| 42          | 104-2116           | 1           | Stud                     | 102         | 125-0021           | 1           | Handle, Brake         |
| 43          | 112-9853           | 1           | Puck-Friction            | 105         | 104-2120           | 3           | Screw                 |
| 45          | 114-8491           | 1           | Washer                   | 106         | 120-7979           | 1           | Guard-Filter, LH      |
| 55          | 104-5308           | 1           | Spacer                   | 111         | 109-3278           | 1           | Adapter-Straight      |
| 60          | 114-1688           | 1           | Bearing-Thrust           | 156         | 115-5057           | 1           | Cover-Nut, Axle       |
| 64          | 114-1689           | 1           | Motor Cylinder Block Kit | 200         | 109-3537           | 1           | Complete Seal Kit     |
| 65          | 94-6922            | 1           | Bearing-Thrust           | 201         | 114-8476           | 1           | LH Center Section Kit |
| 69          | 110-8561           | 1           | Pump Block ASM           | 202         | 114-8464           | 1           | Charge Relief Kit     |
| 70          | 104-5339           | 1           | Washer-Flat              | 203         | 114-8465           | 1           | Charge Kit            |
| 72          | 114-1690           | 1           | Gear-14T                 | 207         | 125-0059           | 1           | Kit, Fan And Pulley   |
| 73          | 114-1691           | 1           | Shaft-Motor              | 209         | 114-8467           | 1           | Hub-Puller, 4 Bolt    |
| 74          | 104-5360           | 1           | Washer                   | 210         | 117-5361           | 1           | Shaft Input Kit       |
| 80          | 94-1933            | 2           | Washer                   | 211         | 117-5362           | 1           | Arm Control Kit       |
| 81          | 114-1692           | 1           | Gear-45T                 | 212         | 114-8470           | 1           | Axle Shaft Kit        |

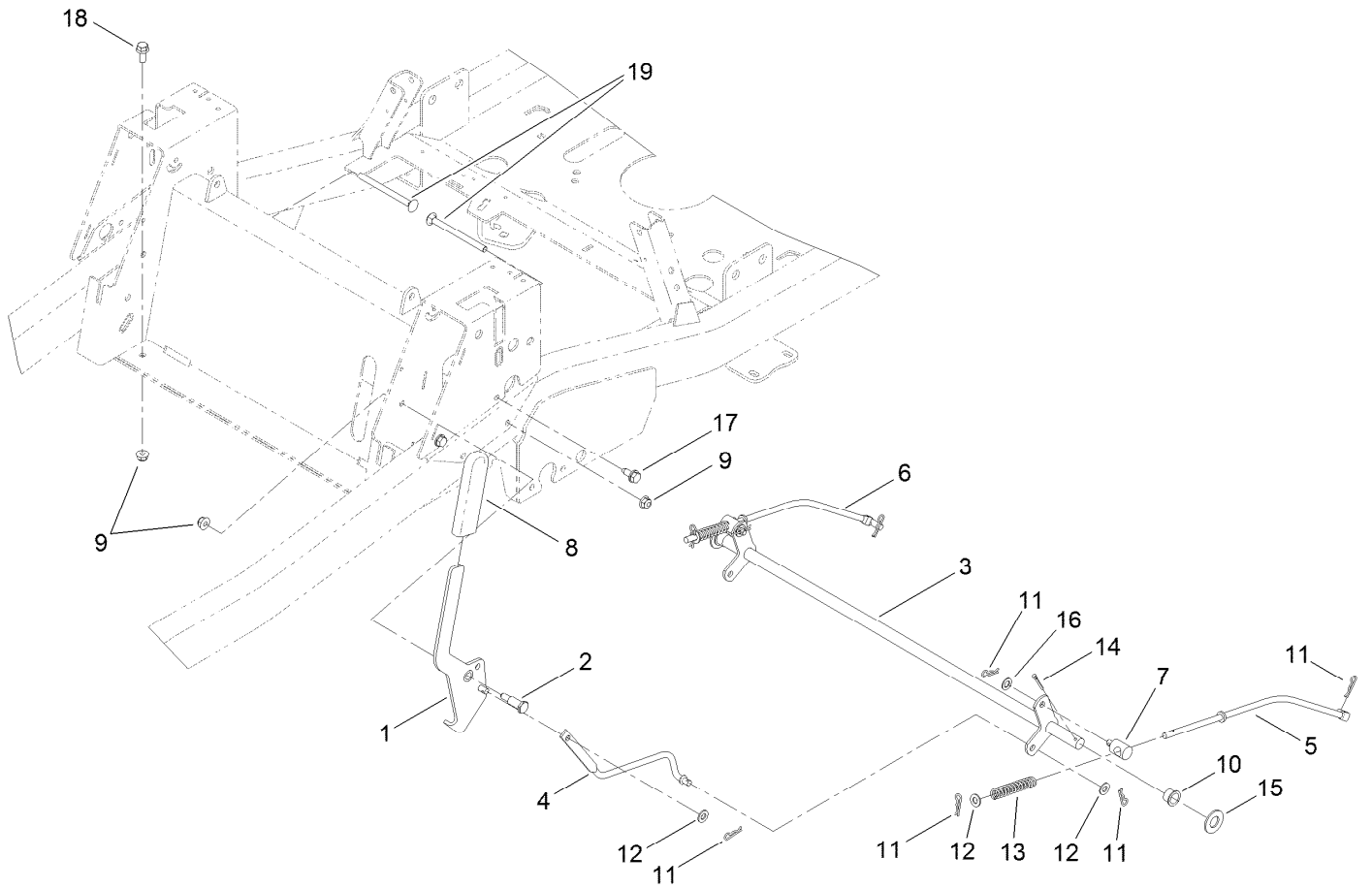




## Motion Control Assembly (continued)

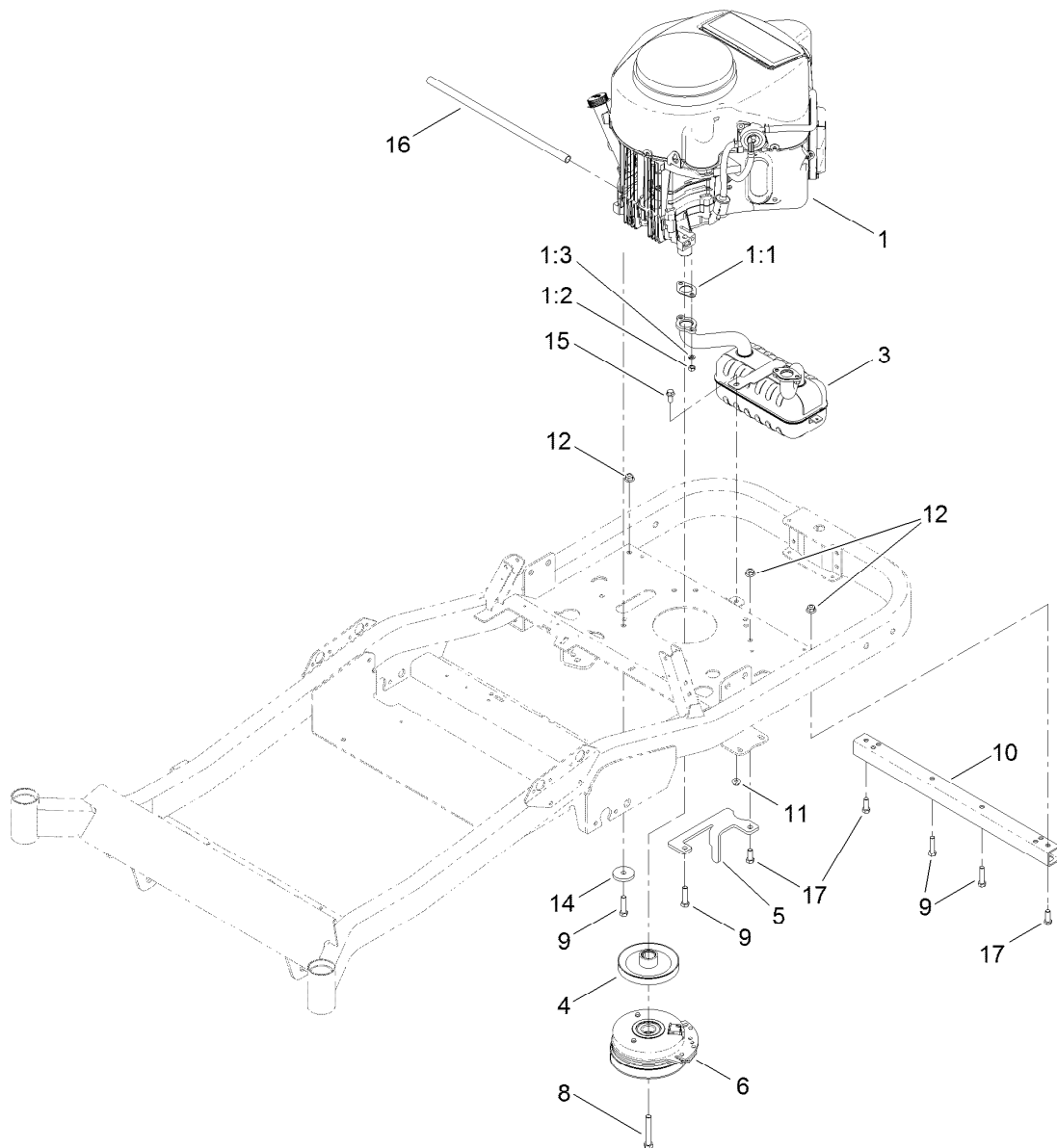
| Ref. | Part Number | Qty. | Description |
|------|-------------|------|-------------|
| 41:1 | 121-0726    | 1    | Grip        |

| Ref. | Part Number | Qty. | Description        |
|------|-------------|------|--------------------|
| 42   | 121-0730    | 1    | Handle-Control, LH |
| 42:1 | 121-0726    | 1    | Grip               |



## Brake Link Assembly

| <i>Ref.</i> | <i>Part Number</i> | <i>Qty.</i> | <i>Description</i> | <i>Ref.</i> | <i>Part Number</i> | <i>Qty.</i> | <i>Description</i>     |
|-------------|--------------------|-------------|--------------------|-------------|--------------------|-------------|------------------------|
| 1           | 119-3460           | 1           | Handle-Brake       | 11          | 1-806003           | 8           | Pin-Cotter, Hair       |
| 2           | 63-2650            | 1           | Screw-Shoulder     | 12          | 3256-23            | 4           | Washer-Flat            |
| 3           | 115-5071-03        | 1           | Brake-Bellcrank    | 13          | 1-603807           | 2           | Spring-Return, Neutral |
| 4           | 115-5074           | 1           | Link-Brake         | 14          | 3272-11            | 2           | Pin-Cotter             |
| 5           | 117-7322           | 1           | Rod-Brake, LH      | 15          | 3256-27            | 2           | Washer-Flat            |
| 6           | 117-7323           | 1           | Rod-Brake, RH      | 16          | 40-1940            | 2           | Washer                 |
| 7           | 115-9681           | 2           | Fitting-Rod        | 17          | 32144-70           | 4           | Screw-HWHTF            |
| 8           | 1-633268           | 1           | Grip-Lever         | 18          | 3234-47            | 2           | Screw-HHF              |
| 9           | 104-8300           | 5           | Nut-Flange, NI     | 19          | 106-9758           | 2           | Screw-CARR             |
| 10          | 256-292            | 2           | Bushing-Flange, NI |             |                    |             |                        |



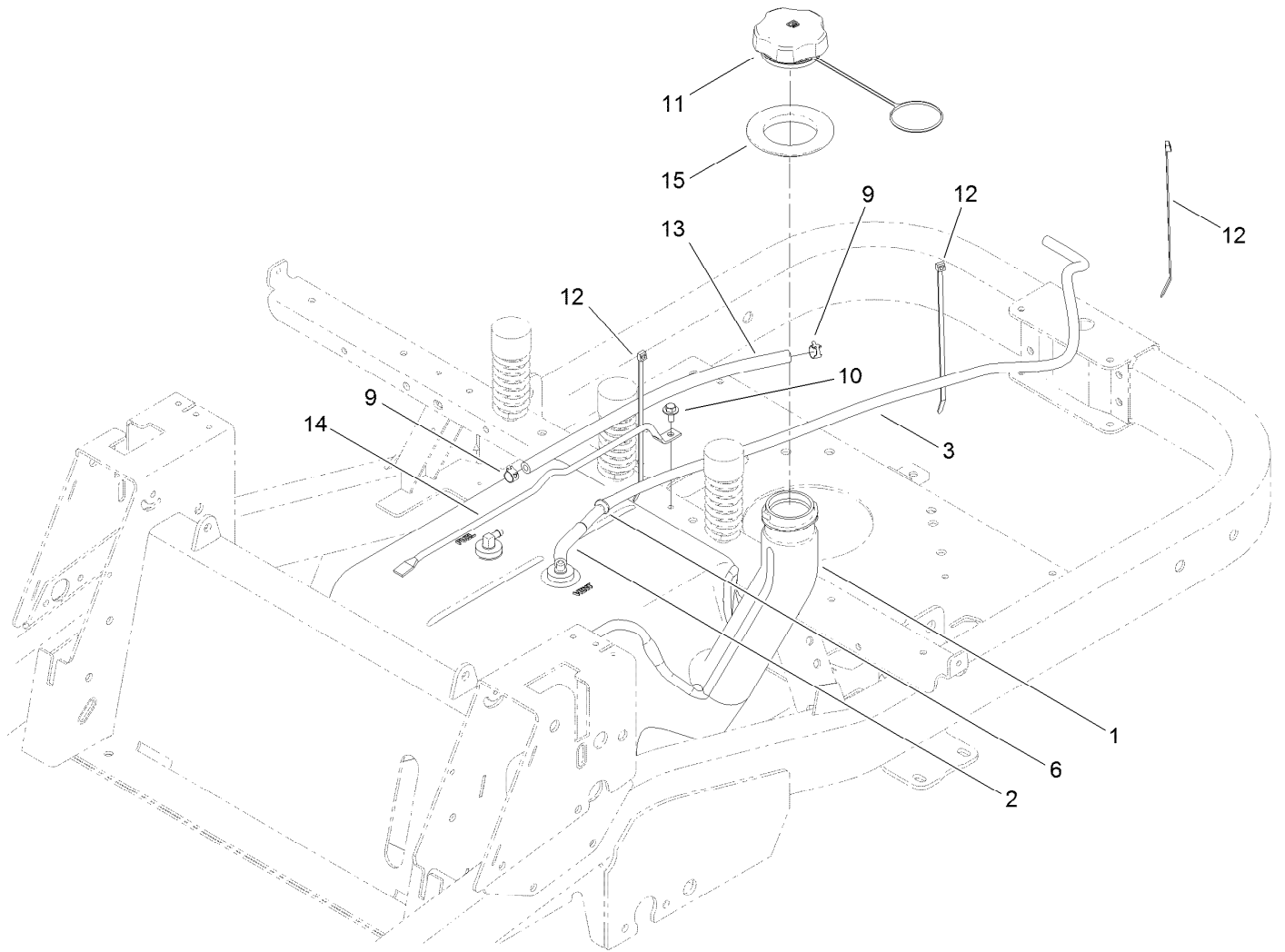
## Engine, Muffler and Clutch Assembly

| Ref. | Part Number | Qty. | Description                         |
|------|-------------|------|-------------------------------------|
| 1    |             | 1    | Engine-Kawasaki,<br>Fr651V-S10-R ●■ |
| 1:1  | 1-653313    | 2    | Gasket-Exhaust                      |
| 1:2  | 114-3549    | 4    | Nut                                 |
| 1:3  | 114-3550    | 4    | Washer-Lock, Spring                 |
| 3    | 117-7465    | 1    | Muffler-Kawasaki Twin               |
| 4    | 115-2568    | 1    | Pulley-Engine                       |
| 5    | 117-7344-03 | 1    | Bracket-Stop, PTO                   |
| 6    | 117-1252    | 1    | Clutch-PTO                          |

| Ref. | Part Number | Qty. | Description     |
|------|-------------|------|-----------------|
| 8    | 3212-11     | 1    | Screw-HH        |
| 9    | 323-50      | 4    | Bolt-HH         |
| 10   | 117-7335-03 | 1    | Tube-Stiffener  |
| 11   | 104-8300    | 1    | Nut-Flange, NI  |
| 12   | 104-8301    | 3    | Nut-Flange, NI  |
| 14   | 110-9981    | 1    | Washer-Plain    |
| 15   | 3234-47     | 1    | Screw-HHF       |
| 16   | 106-7022    | 1    | Tube-Drain, Oil |
| 17   | 323-6       | 3    | Screw-HH        |

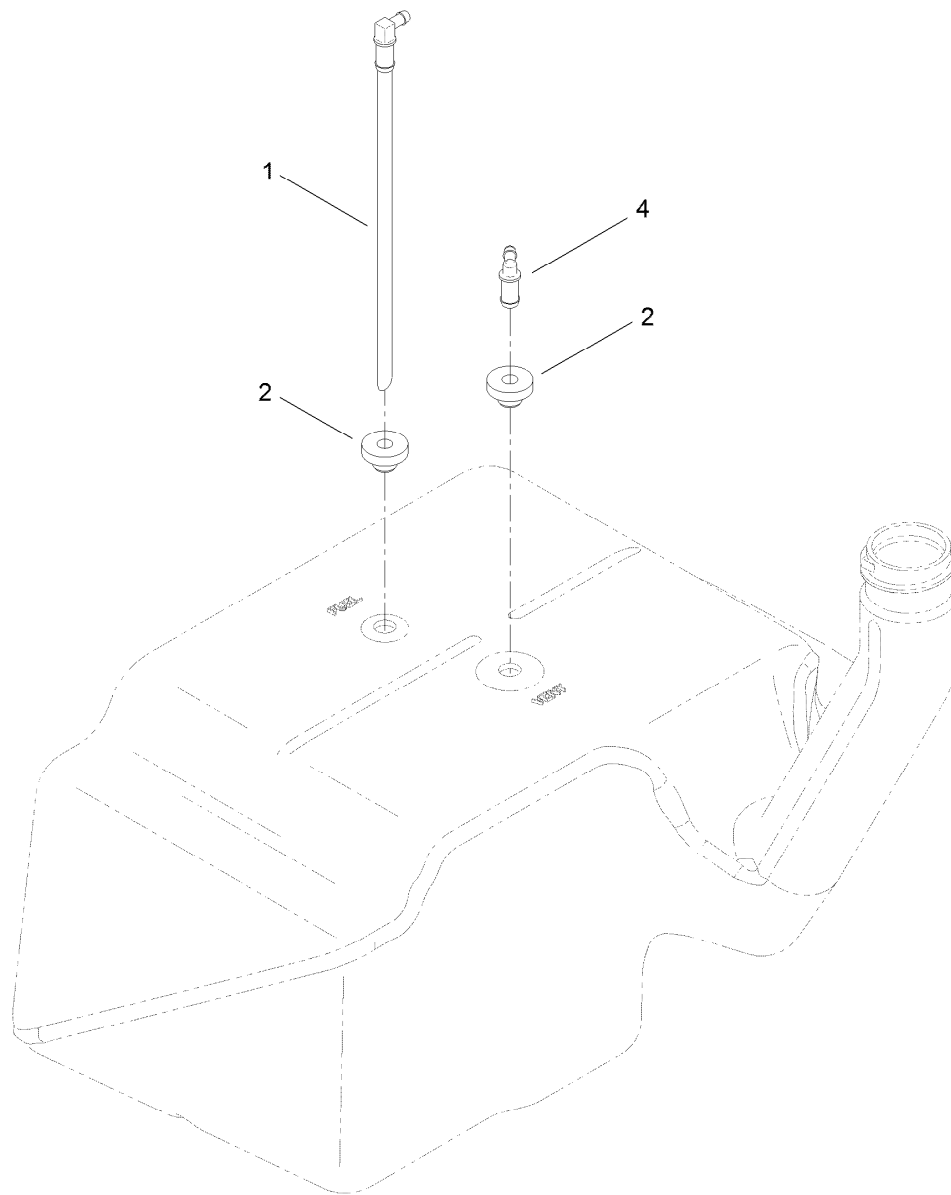
● Not serviced separately

■ Obtain parts from [www.kawpowerpc.com](http://www.kawpowerpc.com)



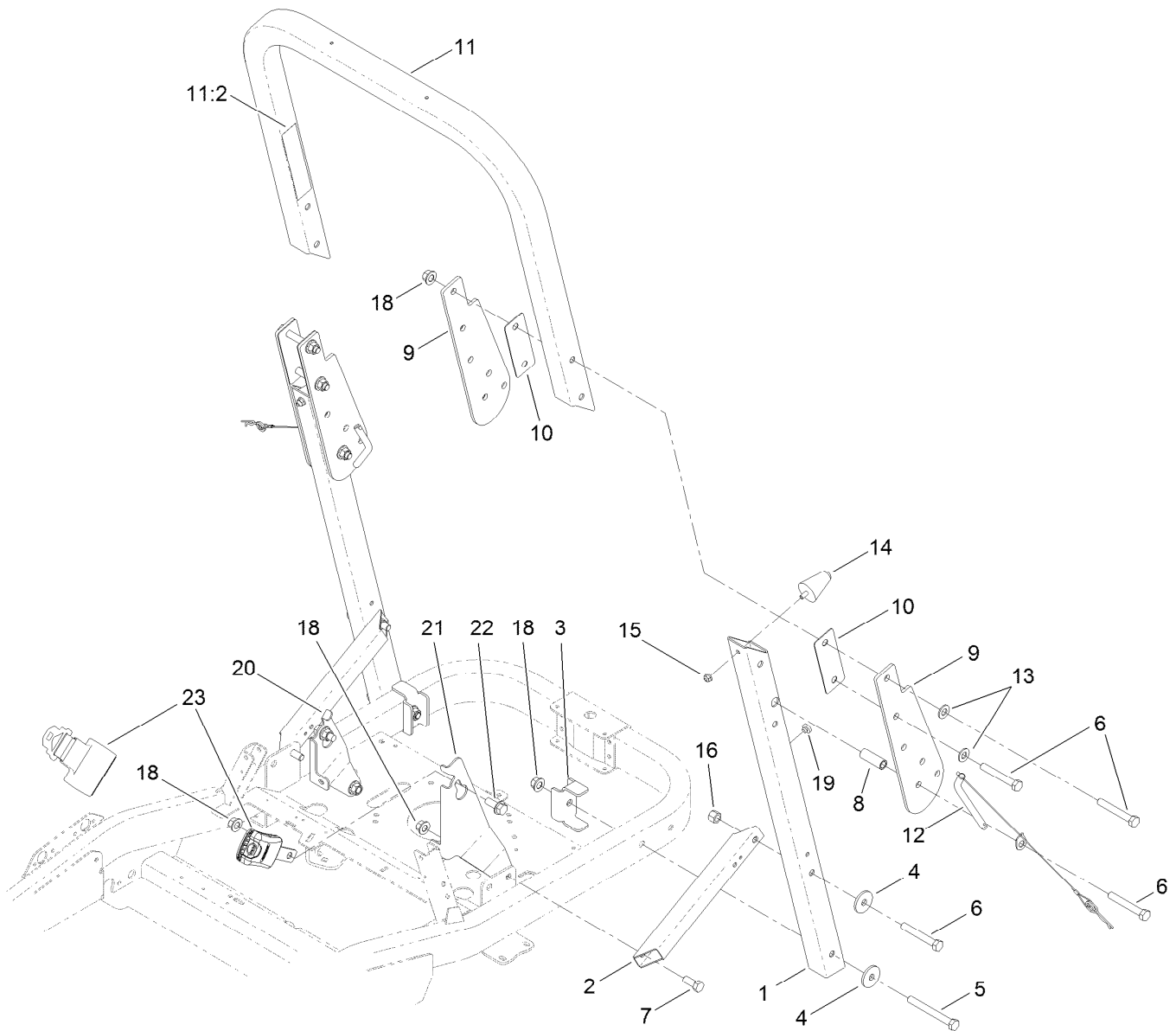
## Fuel Delivery Assembly

| <i>Ref.</i> | <i>Part Number</i> | <i>Qty.</i> | <i>Description</i>        |
|-------------|--------------------|-------------|---------------------------|
| 1           | 117-7352           | 1           | Multi Layer Fuel Tank ASM |
| 2           | 114-3765           | 1           | Hose-Fuel                 |
| 3           | 51-3212            | 1           | Hose-Fuel                 |
| 6           | 121-0743           | 1           | Adapter-Orifice           |
| 9           | 2412-98            | 2           | Clamp-Hose                |
| 10          | 46-8560            | 1           | Screw-HHFTF               |
| 11          | 114-0294           | 1           | Cap-Fuel, Racheting       |
| 12          | 614249             | 3           | Tie-Cable                 |
| 13          | 107-0589           | 1           | Hose-Fuel                 |
| 14          | 115-2620           | 1           | Rod-Tank, Gas             |
| 15          | 117-1298           | 1           | Seal-Tank                 |



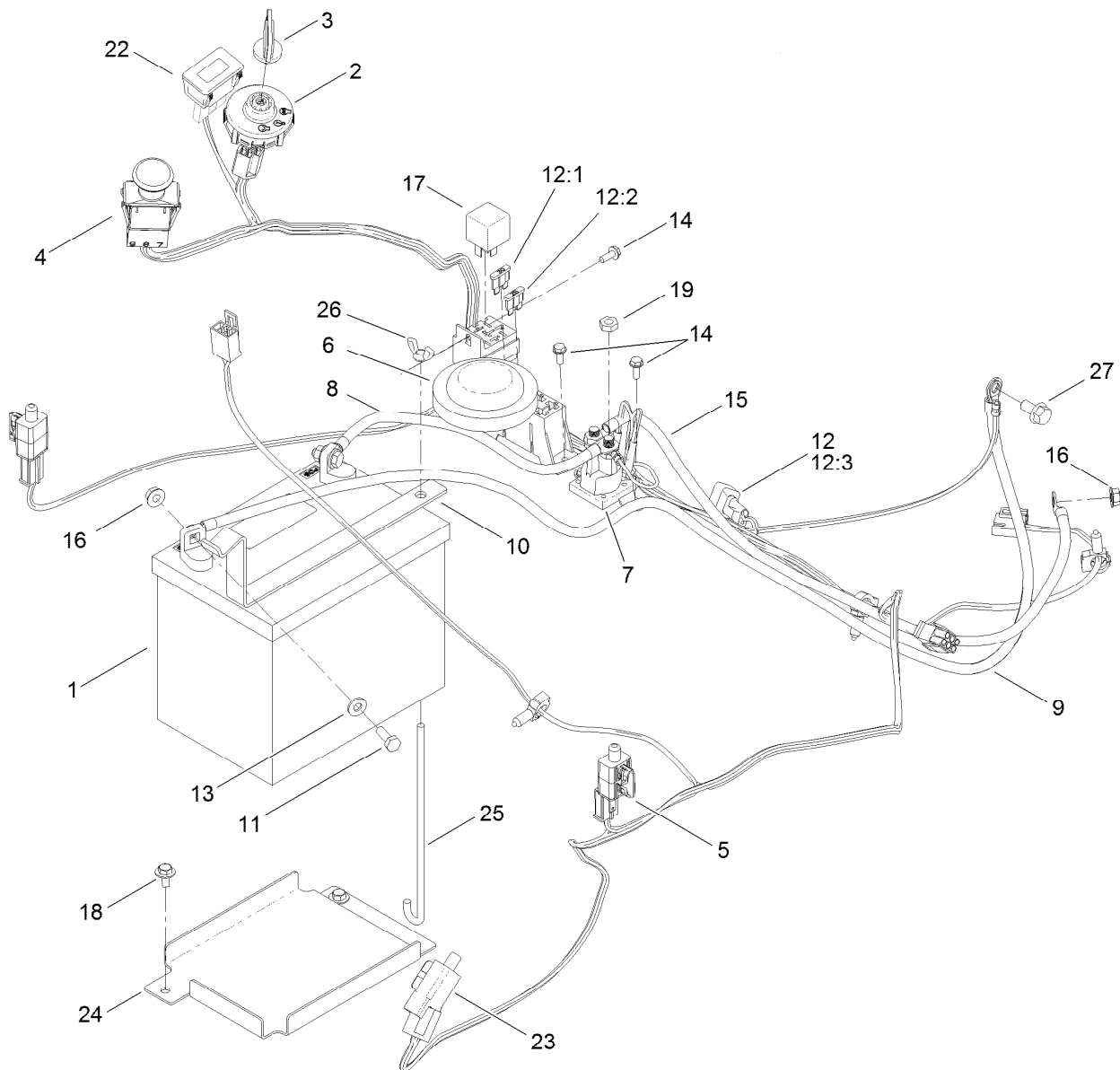
## Multi Layer Fuel Tank Assembly No. 117-7352

| <i>Ref.</i> | <i>Part Number</i> | <i>Qty.</i> | <i>Description</i>      |
|-------------|--------------------|-------------|-------------------------|
| 1           | 121-0793           | 1           | Connector-Elbow, 90 DEG |
| 2           | 46-6560            | 2           | Bushing                 |
| 4           | 117-7400           | 1           | Fitting-Plastic         |



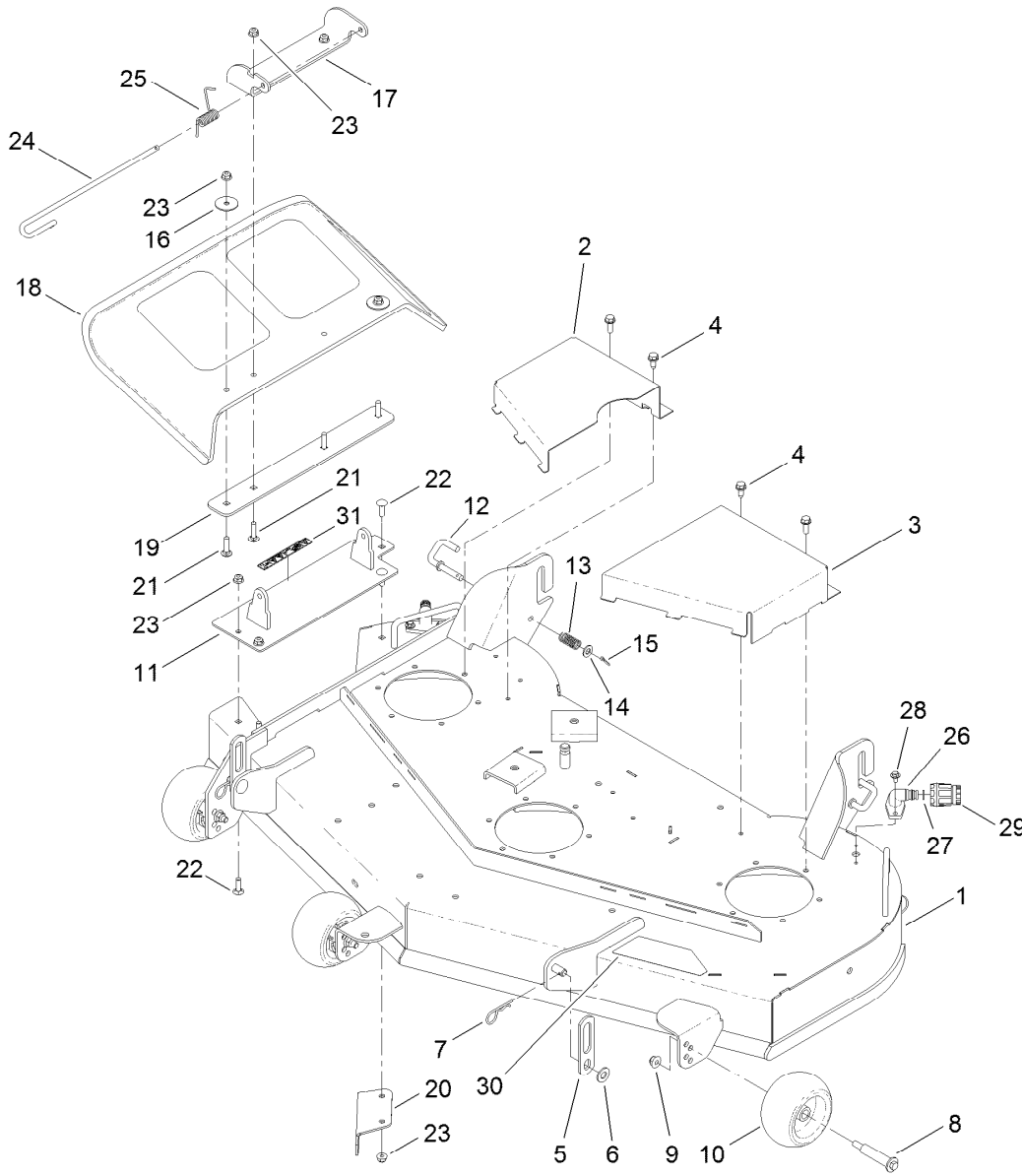
## Roll-Over Protection System Assembly

| <i>Ref.</i> | <i>Part Number</i> | <i>Qty.</i> | <i>Description</i>          | <i>Ref.</i> | <i>Part Number</i> | <i>Qty.</i> | <i>Description</i> |
|-------------|--------------------|-------------|-----------------------------|-------------|--------------------|-------------|--------------------|
| 1           | 121-2986-03        | 2           | Tube-ROPS, Lower            | 12          | 119-8970           | 2           | Pin-ROPS           |
| 2           | 115-4962-03        | 2           | Tube-Support, ROPS          | 13          | 3256-26            | 4           | Washer-Flat        |
| 3           | 115-4963-03        | 2           | Bracket-Reinforcing         | 14          | 114-1925           | 2           | Bumper-Rubber      |
| 4           | 84-1560            | 4           | Washer-Thrust               | 15          | 104-8300           | 2           | Nut-Flange, NI     |
| 5           | 325-18             | 2           | Screw-HH                    | 16          | 119-8969           | 2           | Nut-Hex            |
| 6           | 325-14             | 8           | Screw-HH                    | 18          | 99-5107            | 10          | Nut-Lock           |
| 7           | 325-5              | 2           | Screw-HH                    | 19          | 1-513658           | 2           | Bumper             |
| 8           | 109-6653           | 2           | Spacer                      | 20          | 115-5038-03        | 1           | Bracket-Seat Belt  |
| 9           | 119-8911-03        | 4           | Bracket-Pivot, ROPS         | 21          | 115-5060-03        | 1           | Bracket-Seat Belt  |
| 10          | 119-8926-03        | 4           | Spacer-ROPS                 | 22          | 3234-38            | 2           | Screw-HHF          |
| 11          | 119-8991           | 1           | Upper ROPS ASM              | 23          | 109-9805           | 1           | Seat Belt Kit      |
| 11:2        | 107-3069           | 1           | Decal-Warning, Folding ROPS |             |                    |             |                    |



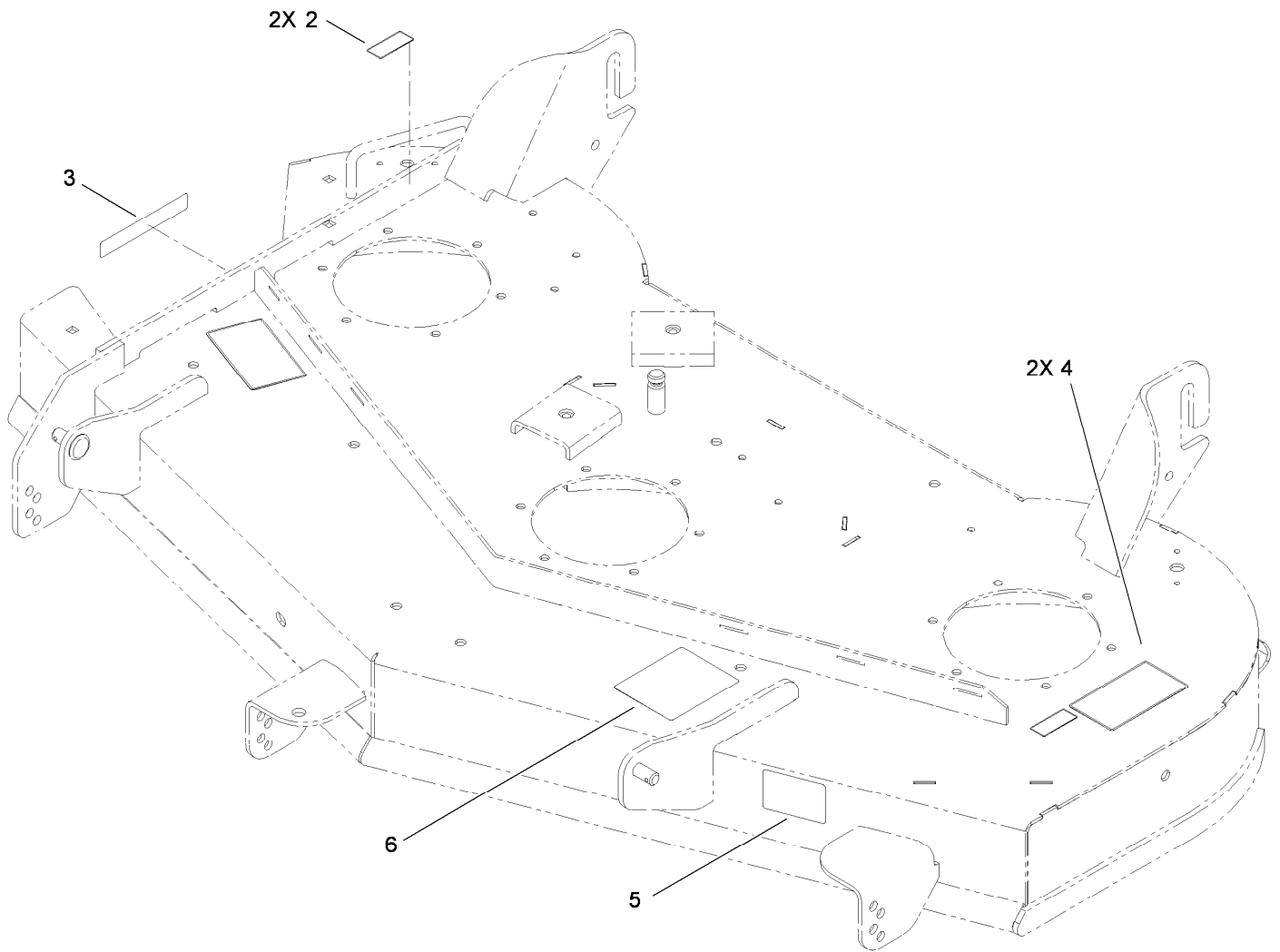
## Electrical Assembly

| <i>Ref.</i> | <i>Part Number</i> | <i>Qty.</i> | <i>Description</i>      | <i>Ref.</i> | <i>Part Number</i> | <i>Qty.</i> | <i>Description</i> |
|-------------|--------------------|-------------|-------------------------|-------------|--------------------|-------------|--------------------|
| 1           | 105-1692           | 1           | Battery                 | 12:3        | 100-4918           | 1           | Diode              |
| 2           | 117-2221           | 1           | Switch-Ignition         | 13          | 3256-22            | 2           | Washer-Flat        |
| 3           | 63-8360            | 1           | Key-Ignition            | 14          | 32144-1            | 5           | Screw-Taptite      |
| 4           | 103-5221           | 1           | Switch-PTO              | 15          | 92-6989            | 1           | Wire-21 Inch       |
| 5           | 110-6765           | 2           | Switch-Single Pole No   | 16          | 32128-33           | 3           | Nut-HF             |
| 6           | 100-3524           | 1           | Switch-Seat             | 17          | 98-7249            | 1           | Relay              |
| 7           | 117-1197           | 1           | Solenoid                | 18          | 46-8560            | 2           | Screw-HHFTF        |
| 8           | 117-5342           | 1           | Cable-Battery, Positive | 19          | 3220-2             | 2           | Nut-Jam            |
| 9           | 117-7240           | 1           | Cable-Battery, Negative | 22          | 120-2244           | 1           | Hourmeter          |
| 10          | 117-7313-01        | 1           | Strap-Battery           | 23          | 99-7408            | 1           | Switch-Reverse     |
| 11          | 321-4              | 2           | Screw-HH                | 24          | 117-1283-03        | 1           | Tray-Battery       |
| 12          | 121-3015           | 1           | Harness-Wire            | 25          | 1-633651           | 1           | Bolt-Holddown      |
| 12:1        | 109103             | 1           | Fuse-Blade, 30 Amp      | 26          | 1-543792           | 1           | Wingnut            |
| 12:2        | 109102             | 1           | Fuse-Blade, 25 Amp      | 27          | 33104-016          | 1           | Screw-HHF          |



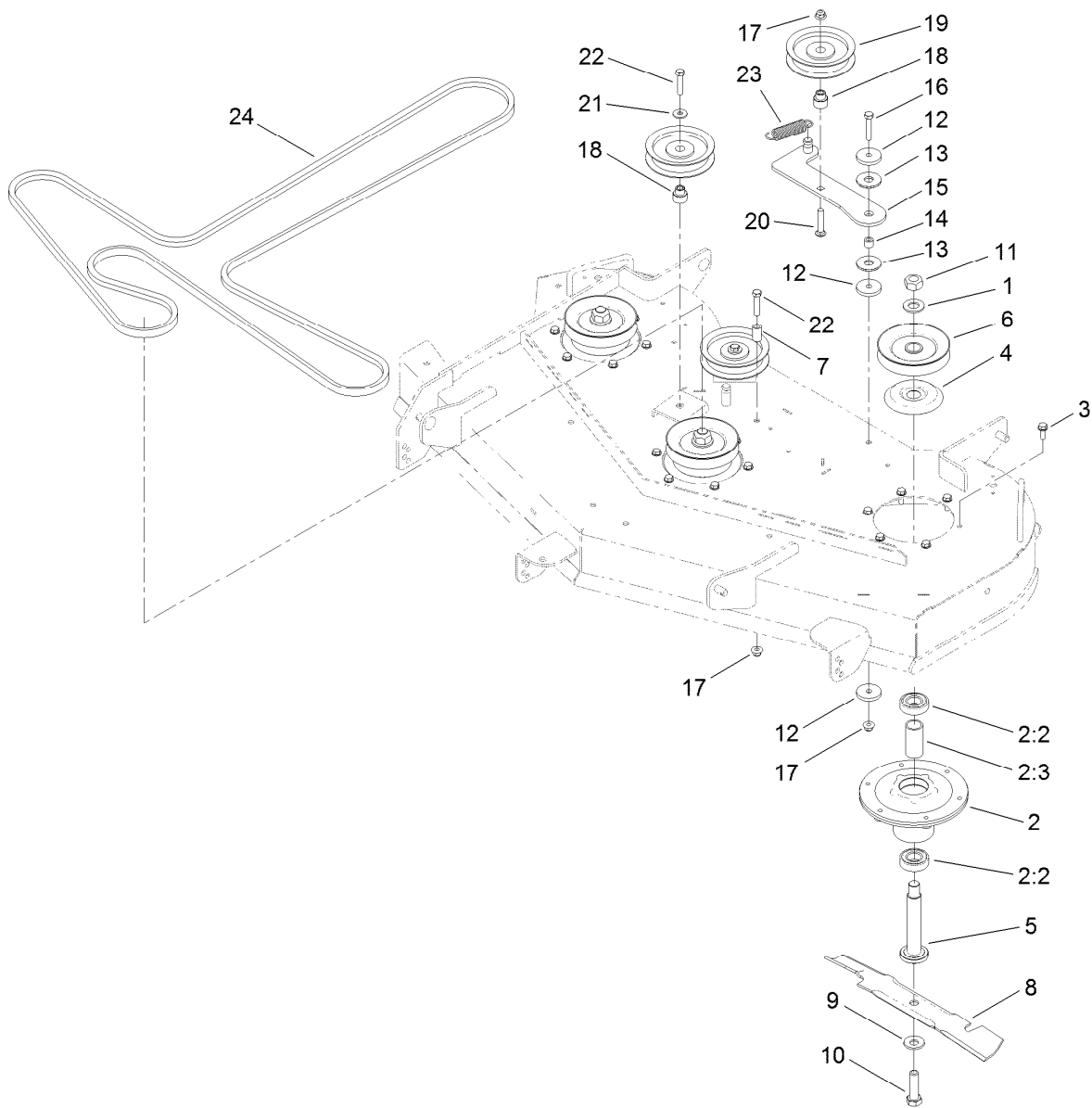
## 48 Inch Deck Assembly

| Ref. | Part Number | Qty. | Description                | Ref. | Part Number | Qty. | Description              |
|------|-------------|------|----------------------------|------|-------------|------|--------------------------|
| 1    | 119-3383    | 1    | 48 Inch Deck And Decal ASM | 16   | 3256-68     | 2    | Washer-Flat              |
| 2    | 117-7396-03 | 1    | Cover-Belt, RH             | 17   | 114-1648-03 | 1    | Bracket-Deflector, Upper |
| 3    | 117-7397-03 | 1    | Cover-Belt, LH             | 18   | 117-1270    | 1    | Deflector-Molded         |
| 4    | 32144-70    | 2    | Screw-HWHTF                | 19   | 115-5048-03 | 1    | Plate-Deflector          |
| 5    | 115-2622    | 2    | Link-Lift                  | 20   | 117-7418-03 | 1    | Baffle-Cutoff            |
| 6    | 3256-26     | 2    | Washer-Flat                | 21   | 3230-3      | 4    | Screw-CARR               |
| 7    | 1-806005    | 2    | Pin-Hair                   | 22   | 3230-22     | 4    | Screw-CARR               |
| 8    | 112-3977    | 3    | Bolt-Shoulder              | 23   | 104-8300    | 8    | Nut-Flange, NI           |
| 9    | 104-8301    | 3    | Nut-Flange, NI             | 24   | 109-8854    | 1    | Pin-Chute                |
| 10   | 1-603299    | 3    | Roller-Scalp, Anti         | 25   | 121-2983    | 1    | Spring-Torsion           |
| 11   | 117-7367-03 | 1    | Plate ASM                  | 26   | 95-2747     | 2    | Fitting-Washout          |
| 12   | 115-2470    | 2    | Pin-Latch                  | 27   | 46-6290     | 2    | O-Ring, Seal             |
| 13   | 101853      | 2    | Spring-Compression         | 28   | 46-8560     | 4    | Screw-HHFTF              |
| 14   | 3256-24     | 2    | Washer-Flat                | 29   | 95-3270     | 1    | Connector-Hose           |
| 15   | 3272-10     | 2    | Pin-Cotter                 | 30   | 119-3382    | 1    | Decal-Deck               |
|      |             |      |                            | 31   | 93-7009     | 1    | Decal-Danger, Deflector  |



## 48 Inch Deck Decal Assembly No. 119-3383

| <i>Ref.</i> | <i>Part Number</i> | <i>Qty.</i> | <i>Description</i>      |
|-------------|--------------------|-------------|-------------------------|
| 2           | 114-1606           | 2           | Decal-Danger, Pulley    |
| 3           | 93-7009            | 1           | Decal-Danger, Deflector |
| 4           | 110-6691           | 2           | Decal-Danger            |
| 5           | 112-9840           | 1           | Decal-Scalp, Anti       |
| 6           | 117-1194           | 1           | Decal-Routing, Belt     |



## 48 Inch Deck Belt and Hi-Flo Blade Assembly

| <i>Ref.</i> | <i>Part Number</i> | <i>Qty.</i> | <i>Description</i>       | <i>Ref.</i> | <i>Part Number</i> | <i>Qty.</i> | <i>Description</i>         |
|-------------|--------------------|-------------|--------------------------|-------------|--------------------|-------------|----------------------------|
| 1           | 7-4150             | 3           | Washer                   | 12          | 110-9981           | 3           | Washer-Plain               |
| 2           | 120-5477           | 3           | Spindle ASM              | 13          | 114-0463           | 2           | Washer-Friction, Composite |
| 2:2         | 116-0720           | 2           | Bearing-Ball             | 14          | 1-413088           | 1           | Bushing-Lever, Lift        |
| 2:3         | 115-2641           | 1           | Spacer-Bearing           | 15          | 115-5054           | 1           | Idler Arm ASM              |
| 3           | 32144-41           | 18          | Screw-Taptite            | 16          | 323-10             | 1           | Screw-HH                   |
| 4           | 117-7210           | 3           | Shield-Bearing           | 17          | 104-8301           | 3           | Nut-Flange, NI             |
| 5           | 115-2642           | 3           | Shaft-Spindle            | 18          | 115-2577           | 3           | Bushing-Idler              |
| 6           | 117-7326           | 3           | Pulley                   | 19          | 116-3626           | 3           | Pulley-Idler               |
| 7           | 1-603401           | 1           | Spacer-Fender            | 20          | 3231-6             | 1           | Screw-CARR                 |
| 8           | 117-7277-03        | 3           | Blade-Hi Flo, 16.50 Inch | 21          | 80-6990            | 2           | Washer-Hardened            |
| 9           | 22-8520            | 3           | Washer-Belleville        | 22          | 323-9              | 3           | Screw-HH                   |
| 10          | 51-4060            | 3           | Screw-Blade              | 23          | 108-4056           | 1           | Spring-Extension           |
| 11          | 3219-7             | 3           | Nut-Hex                  | 24          | 117-7325           | 1           | V-Belt                     |

# Attachments and Accessories

## For 74841 TITAN ZX4820 Zero-Turn-Radius Riding Mower

| <b>Product Name</b>  | <b>Model/Part</b> |
|--|-------------------|
| Step Kit .....   | 117-5316          |
| Light Kit.....   | 117-5317          |
| Transport Seat Hold Down Kit.....  | 117-7251          |
| 48in Recycler Kit.....   | 119-3320          |
| 48in Striping Kit.....   | 119-3380          |
| Leaf Bagging Enhancement Kit .....   | 119-3381          |
| 48in Bagger Finishing Kit, 2012 and After TITAN and TimeCutter MX Series Riding Mower..... | 121-5662          |
| Hitch Kit .....  | 79014             |
| Bagger .....   | 79328             |
| 10 cu. ft. Poly Dump Cart .....  | 79991             |

**Notes:**

**Notes:**



**Count on it.**