



**Count on it.**

**Parts Catalog**

**TITAN ZX4820 Zero-Turn-Radius  
Riding Mower**

**Model No. 74920—Serial No. 312000001 and Up**

# Ordering Replacement Parts

To order replacement parts, please supply the part number, the quantity, and the description of each part desired.

## Understanding Reference Numbers

Each identified part in an illustration has a reference number. The reference number for a part also appears in the parts list, along with other information about the part.

This catalog uses two special reference number formats, one to indicate parts in a service assembly and another to indicate the quantity of a given part in an illustration.

## Service Assembly Reference Numbers

Parts in service assemblies have reference numbers in the form a:b. The a represents the reference number of the entire service assembly and the b represents a sequential number unique to each part within the service assembly.

For example, a wheel assembly might be identified by reference number 6, the tire by 6:1, the valve by 6:2, and the wheel by 6:3. When you order the assembly identified by reference number 6, you receive all parts identified by reference numbers 6:1, 6:2, and 6:3. However, you may also order any part individually. Reference numbers of this type appear in illustration and in parts lists.

## Reference Numbers Indicating Quantity

In an illustration, if a reference number indicates more than one part, the reference number has the form nX y. The n represents the quantity of the part, the X is the multiplication symbol, and the y represents the reference number.

For example, in an illustration, the reference number 2X 37 means that two of the parts identified by reference number 37 are indicated.

# List of Abbreviations

**AR:** as required

**ASM:** assembly

**BBC:** blade brake control

**BHTF:** button head thread forming

**CARR:** carriage

**CCW:** counter clockwise

**CW:** clockwise

**DEG:** degrees

**DPA:** Dual Point Adjustment

**ECM:** electronic control module

**EXT:** external

**FH:** flat head

**GA:** gauge

**HD:** heavy-duty

**HF:** hex flange

**HH:** hex head

**HHF:** hex head flange

**HHFTF:** hex head flange thread forming

**HJ:** hex jam

**HLH:** hex lag head

**HOC:** height-of-cut

**HSBH:** hex socket button head

**HSFH:** hex socket flat head

**HSH:** hex socket head

**HWH:** hex washer head

**HWTF:** hex washer head thread forming

**HYD:** hydraulic

**LH:** left hand

**LPG:** Liquid Propane Gas

**NI:** nylon insert

**NPTF:** national pipe thread fine

**PFH:** phillips flat head

**PPH:** phillips pan head

**PPHTF:** phillips pan head thread forming

**PRH:** phillips round head

**PTH:** phillips truss head

**PTO:** power-take-off

**RH:** right hand

**ROPS:** roll-over protection system

**RRB:** rear roller brush

**SFH:** slotted fillister head

**SHH:** slotted hex head

**SHWH:** slotted hex washer head

**SPH:** slotted pan head

**SQH:** square head

**SRH:** slotted round head

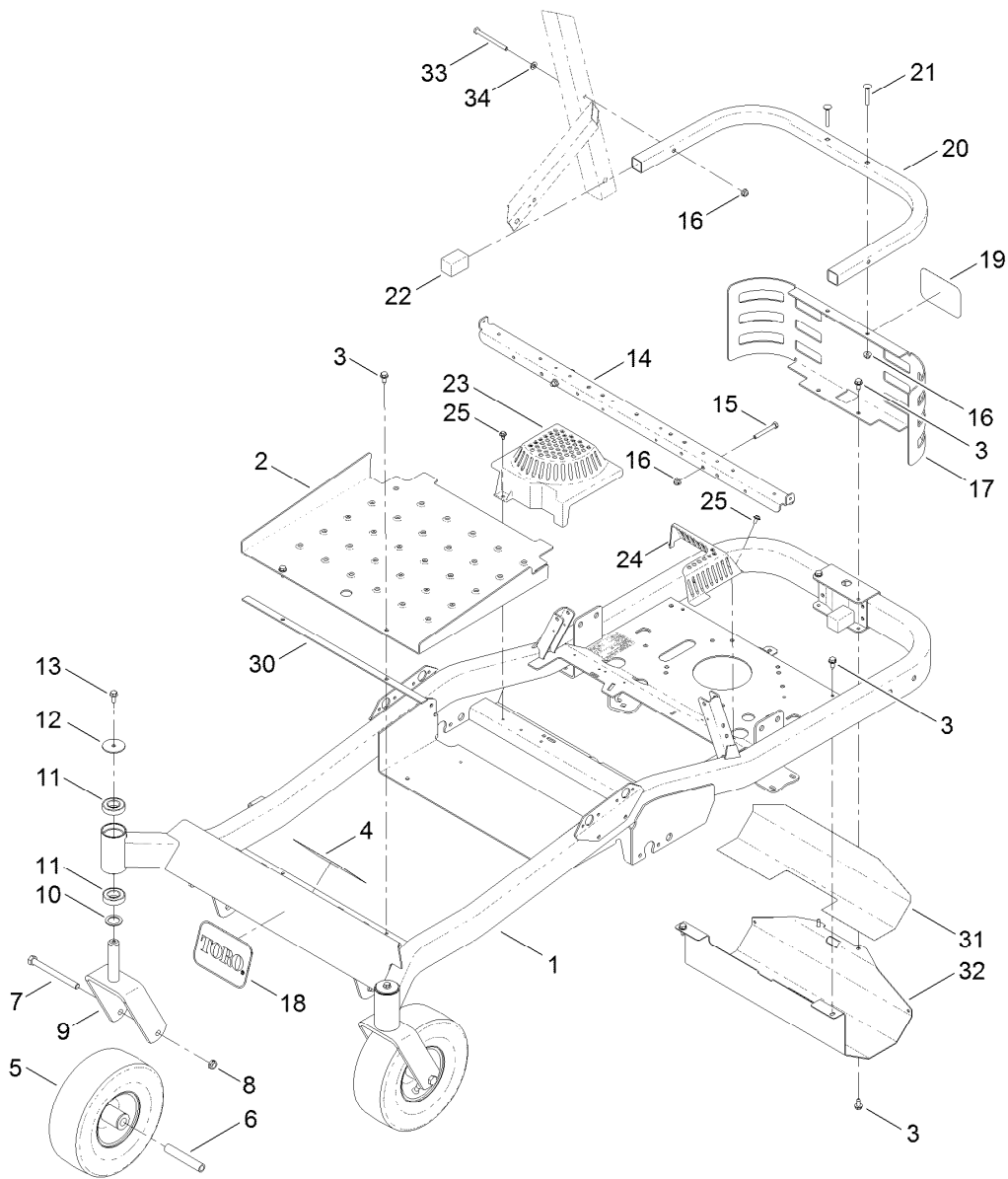
**STD:** standard

**TAP:** self tapping

**TTH:** torx truss head

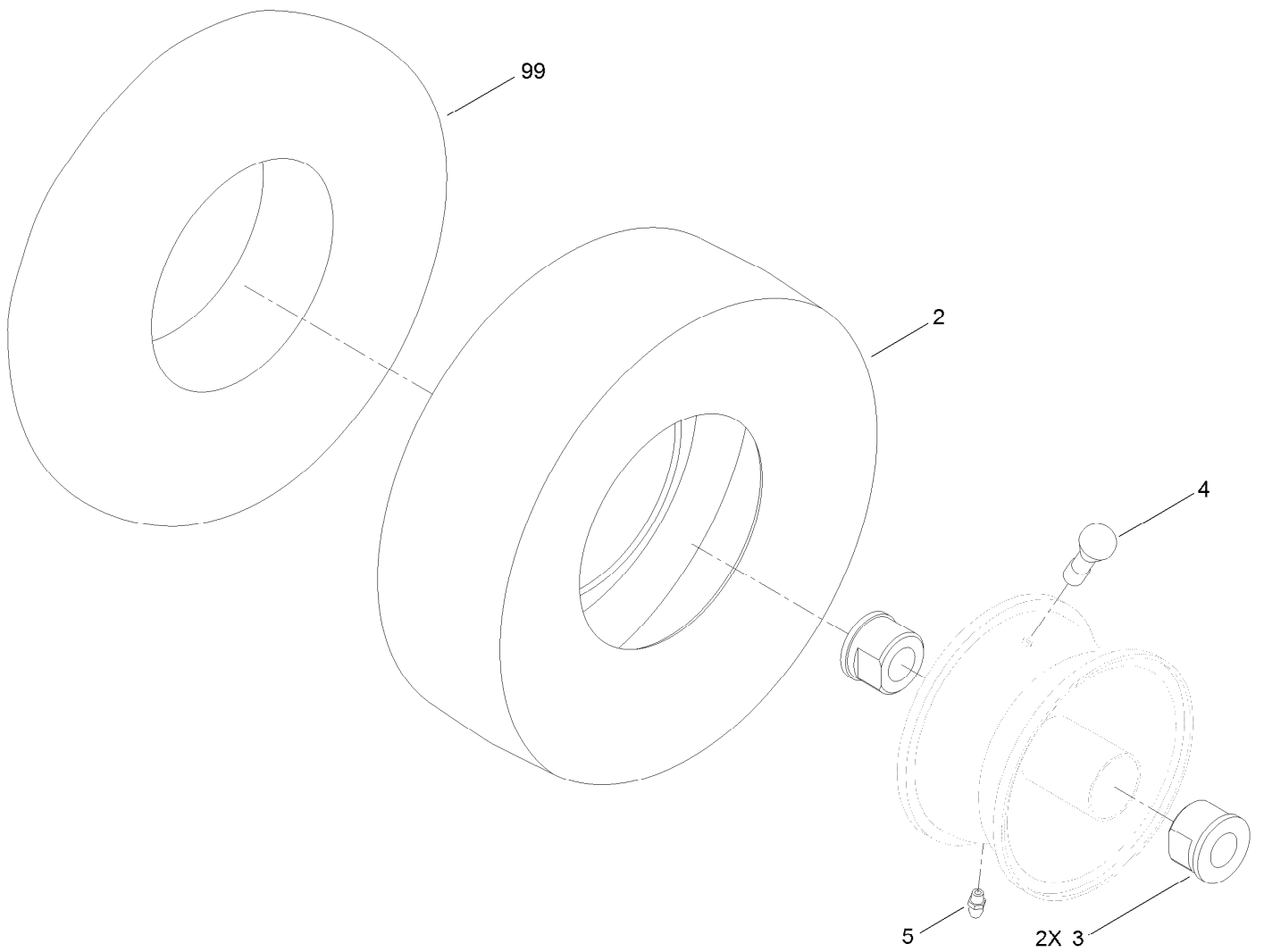
# Contents

Main Frame and Caster Wheel Assembly .....	4
Wheel and Tire Assembly No. 115-2554 .....	5
Control Panel and Body Styling Pod Assembly .....	6
Deck Lift Assembly .....	7
Seat Assembly .....	8
Traction Drive Assembly .....	9
RH Hydro Assembly No. 115-2550 .....	10
LH Hydro Assembly No. 115-2551 .....	12
Motion Control Assembly .....	14
Brake Link Assembly .....	16
Engine, Muffler and Clutch Assembly .....	17
Fuel Delivery Assembly .....	18
Multi Layer Fuel Tank Assembly No. 117-7352 .....	19
Roll-Over Protection System Assembly .....	20
Electrical Assembly .....	21
48 Inch Deck Assembly .....	22
48 Inch Deck Decal Assembly No. 119-3383 .....	23
48 Inch Deck Baffle and Guard Assembly .....	24
48 Inch Deck Belt, Spindle and Mulch Blade Assembly .....	25
Attachments and Accessories .....	26



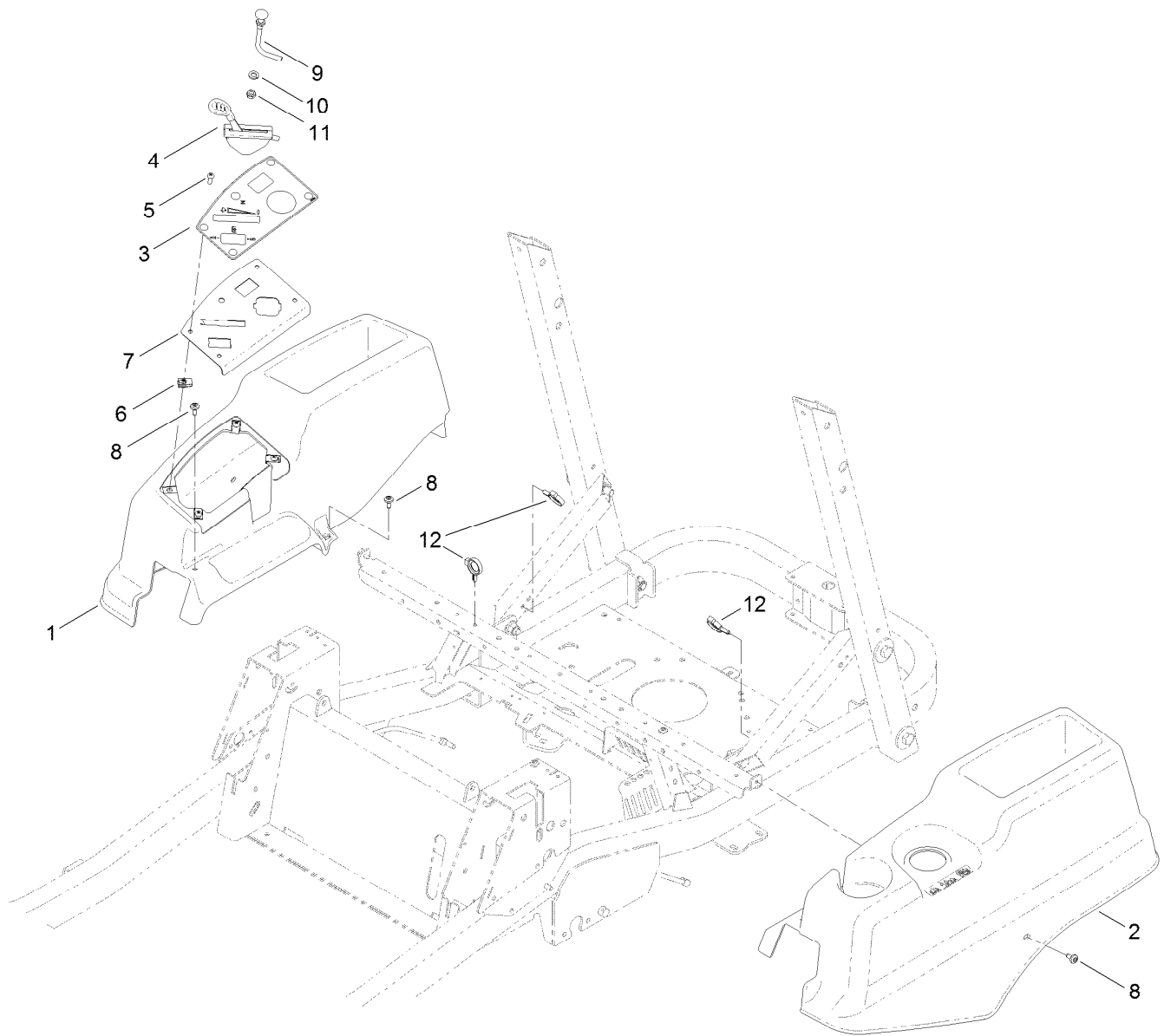
## Main Frame and Caster Wheel Assembly

Ref.	Part Number	Qty.	Description	Ref.	Part Number	Qty.	Description
1	117-7356-01	1	Frame ASM	16	104-8300	6	Nut-Flange, NI
2	115-2531-05	1	Pan-Floor	17	120-2248-03	1	Guard-Rear
3	32144-70	8	Screw-HWHTF	18	62-5550	1	Decal
4	120-5466	1	Decal-Safety	19	105-8278	1	Decal
5	115-2554	2	Wheel And Tire ASM	20	121-0704-01	1	Tube-Guard
6	104-3667	2	Spanner-Wheel	21	3230-6	2	Screw-CARR
7	325-22	2	Screw-HH	22	121-2980	2	Cap
8	3296-45	2	Nut-Lock, NI	23	117-1241	1	Cover-Fan, RH
9	110-6634-01	2	Caster Fork ASM	24	117-1242	1	Cover-Fan, LH
10	10-8110	2	Washer-Thrust	25	46-8560	2	Screw-HHFTF
11	109-3678	4	Bearing-Ball	30	117-7238	1	Strip-Vibration, Anti
12	109-3724	2	Washer	31	117-7220	1	Foil-Heat Shield
13	3234-47	2	Screw-HHF	32	120-2247-03	1	Guard-Muffler
14	119-8997-03	1	Support-Seat	33	322-23	2	Screw-HH
15	322-12	2	Screw-HH	34	3256-23	2	Washer-Flat



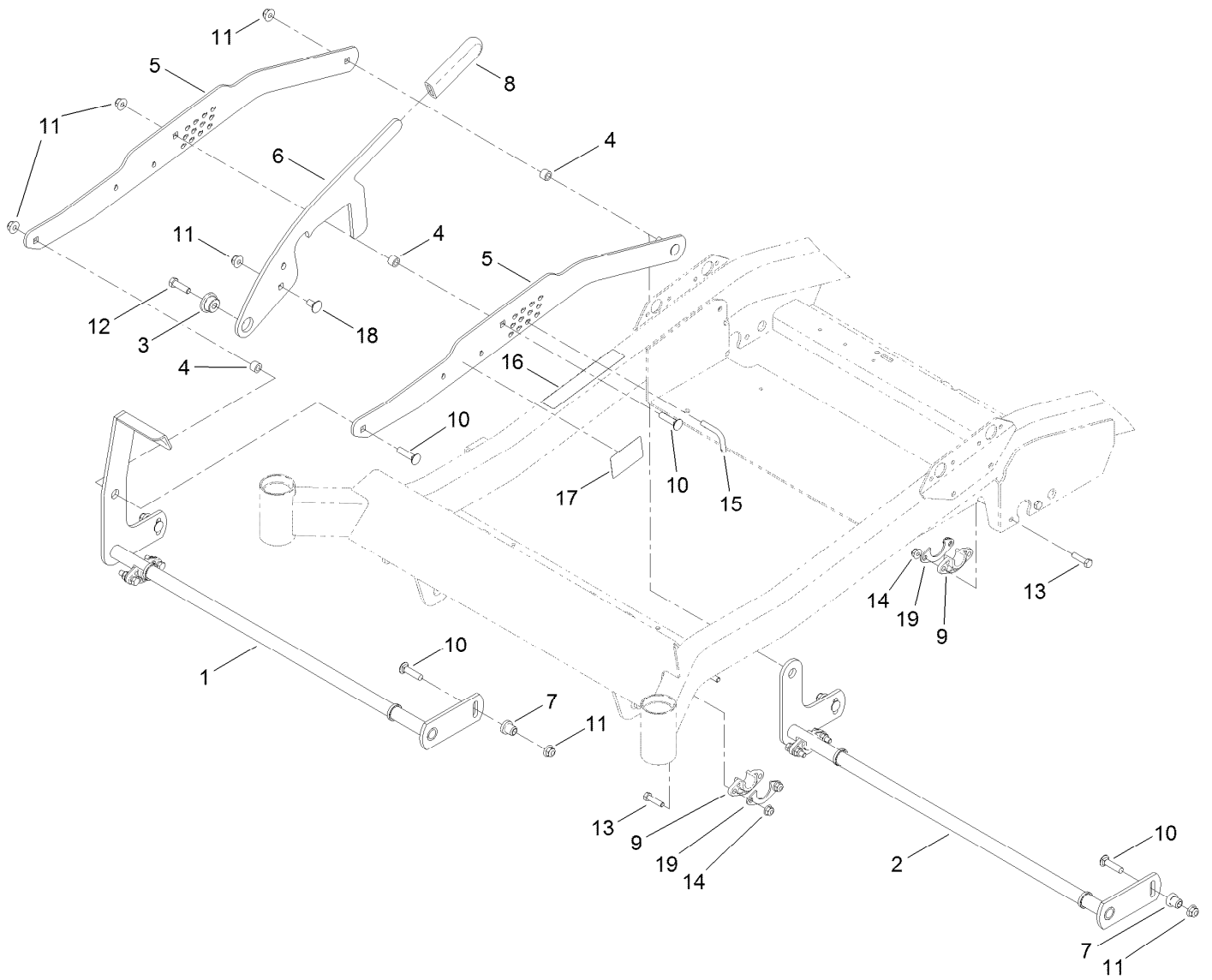
## Wheel and Tire Assembly No. 115-2554

<i>Ref.</i>	<i>Part Number</i>	<i>Qty.</i>	<i>Description</i>
2	115-2557	1	Tire-Smooth
3	114-1640	2	Bushing-Flange
4	232-27	1	Stem-Valve
5	302-5	1	Fitting-Grease
99	117-1234	1	Tube-Inner



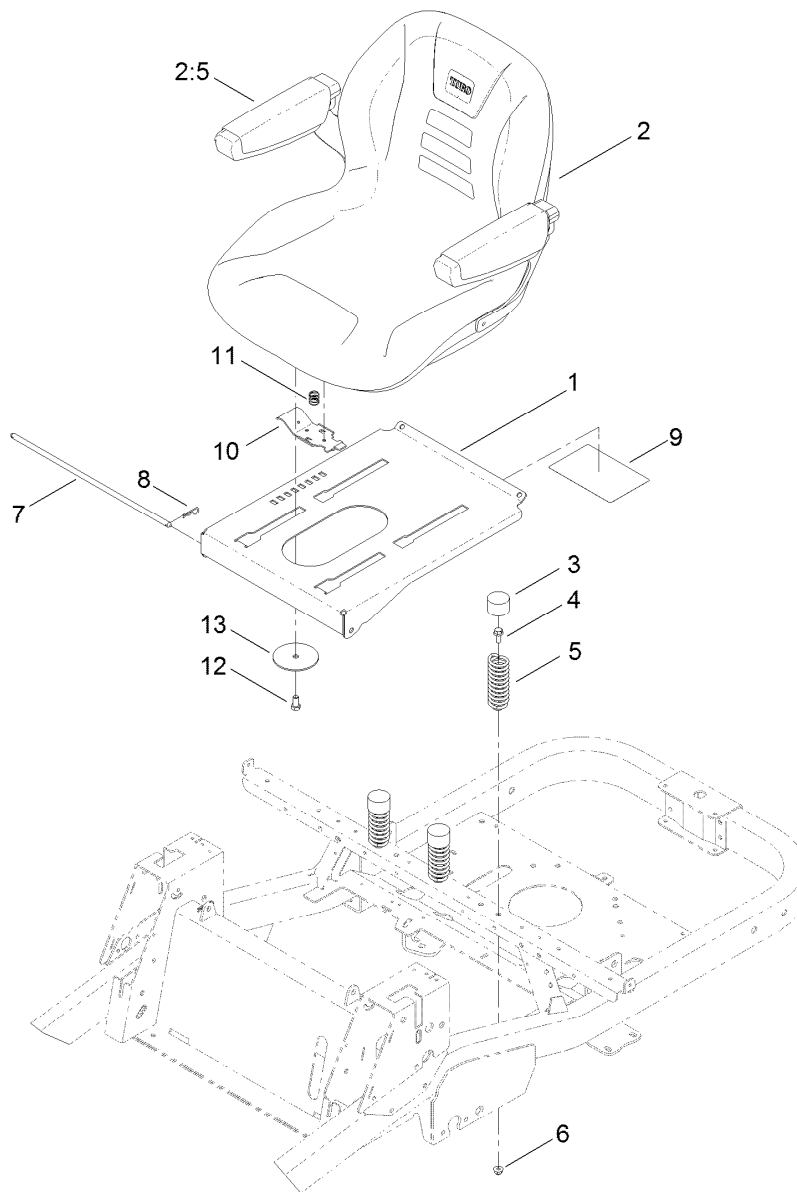
## Control Panel and Body Styling Pod Assembly

<i>Ref.</i>	<i>Part Number</i>	<i>Qty.</i>	<i>Description</i>
1	115-2581	1	Pod-RH
2	115-2582	1	Pod-LH
3	115-9632	1	Decal-Panel, Control
4	121-0770	1	Cable-Throttle
5	3258-166	4	Screw-PRH
6	107069	4	Clip
7	115-2591-03	1	Panel-Control
8	112-4004	6	Screw-Shoulder
9	120-2291	1	Cable-Choke
10	3253-21	1	Washer-Lock
11	3220-3	1	Nut-HJ
12	105-1853	2	Clamp-Hose



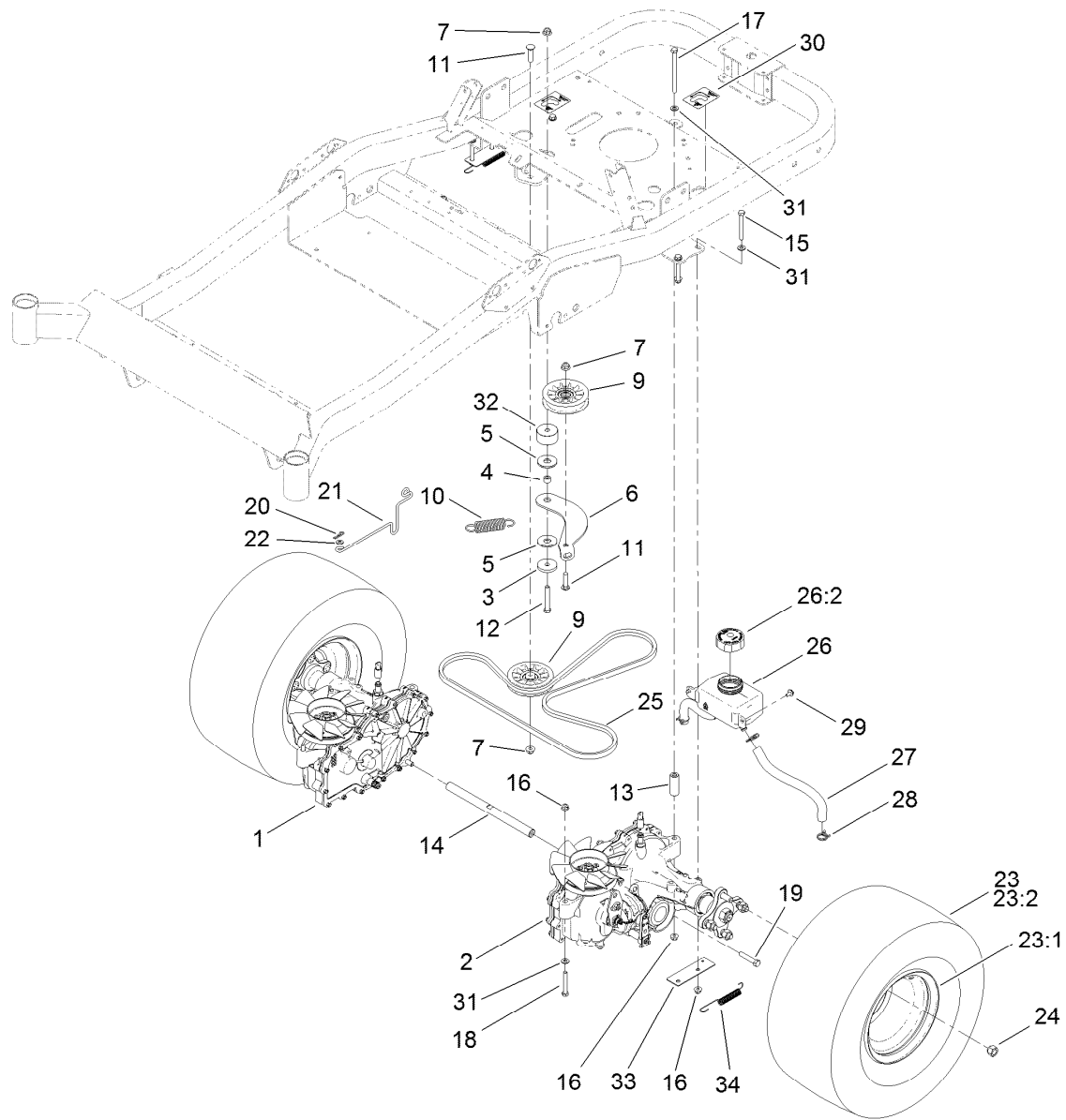
## Deck Lift Assembly

<i>Ref.</i>	<i>Part Number</i>	<i>Qty.</i>	<i>Description</i>	<i>Ref.</i>	<i>Part Number</i>	<i>Qty.</i>	<i>Description</i>
1	115-2495-03	1	Pivot-Front	11	104-8301	8	Nut-Flange, NI
2	115-2498-03	1	Pivot-Rear	12	323-7	1	Screw-HH
3	117-1281	1	Bushing-Mount, HOC	13	322-6	8	Screw-HH
4	115-4986	3	Spacer	14	104-8300	8	Nut-Flange, NI
5	115-2503-03	2	Plate-Lift, Foot	15	117-1280	1	Pin-Keyed
6	115-2504	1	Plate-Stop, HOC	16	115-9644	1	Decal-HOC
7	65-5950	4	Bushing-Pulley	17	117-5344	1	Decal-Lock, Deck
8	1-633268	1	Grip-Lever	18	3231-1	1	Screw-CARR
9	115-5065	4	Bushing-Flange	19	116-2887	4	Gusset-Deck Lift
10	3231-4	7	Screw-CARR				



## Seat Assembly

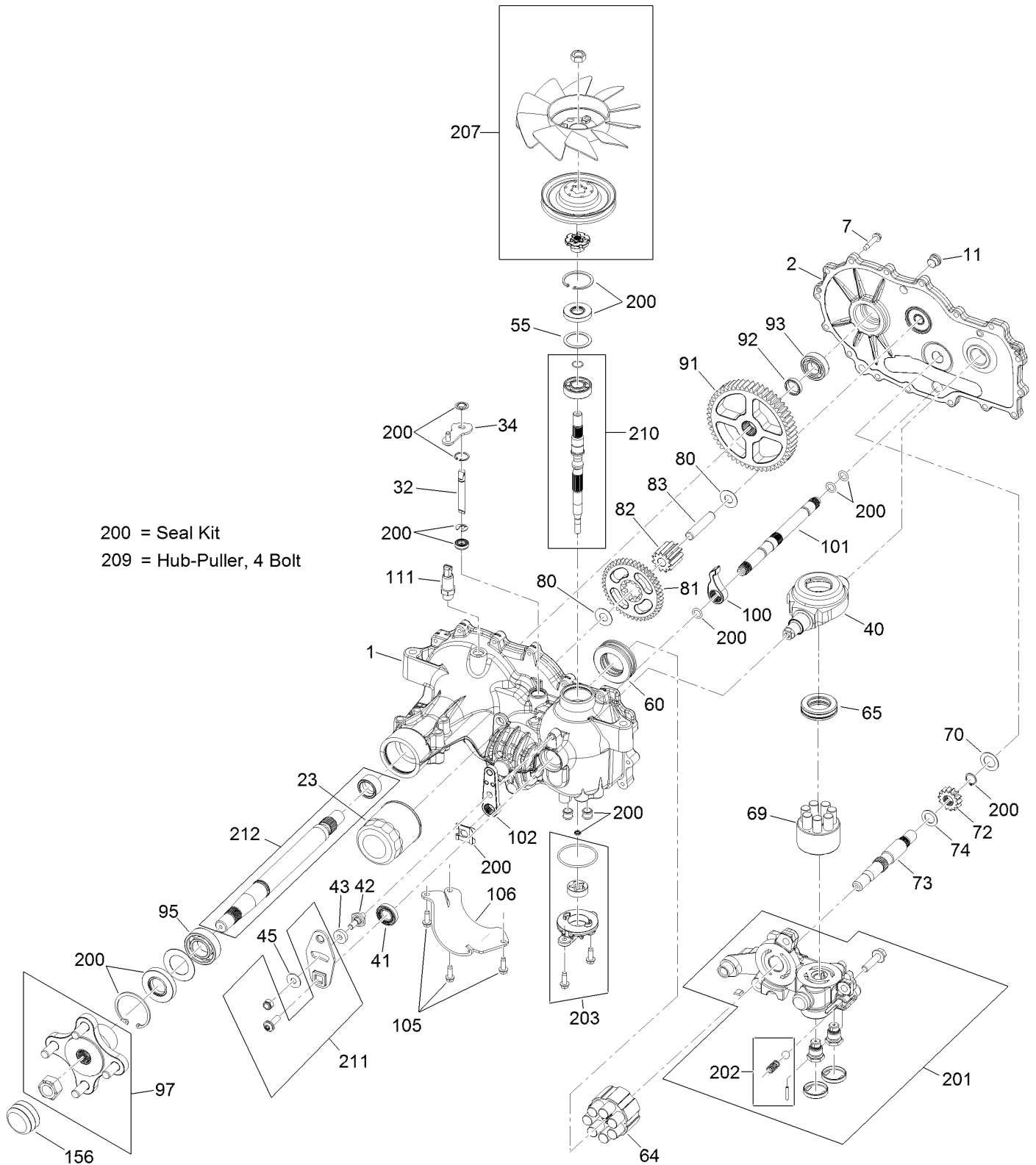
<b>Ref.</b>	<b>Part Number</b>	<b>Qty.</b>	<b>Description</b>
1	117-5320-03	1	Pan-Seat
2	115-5053	1	18 Inch Seat ASM
2:5	119-3307	1	Armrest Kit
3	701178	3	Cap-Protector
4	3234-47	3	Screw-HHF
5	92-7054	3	Spring-Compression
6	104-8300	3	Nut-Flange, NI
7	115-4966	1	Rod-Stop
8	3290-250	2	Pin-Hair
9	115-9630	1	Decal-Maintenance
10	115-9623	1	Latch-Seat
11	115-9624	1	Spring-Compression
12	323-4	1	Screw-HH
13	117-5307	1	Washer-Seat



## Traction Drive Assembly

Ref.	Part Number	Qty.	Description	Ref.	Part Number	Qty.	Description
1	115-2550	1	RH Hydro Transmission ASM	19	323-10	2	Screw-HH
2	115-2551	1	LH Hydro Transmission ASM	20	1-806003	2	Pin-Cotter, Hair
3	110-9981	1	Washer-Plain	21	115-4990	2	Rod-Bypass
4	115-4986	1	Spacer	22	3256-22	2	Washer-Flat
5	114-0463	2	Washer-Friction, Composite	23	109-5486	2	Wheel And Tire ASM
6	117-5350	1	Arm-Idler	23:1	109-5487	1	Wheel
7	104-8301	3	Nut-Flange, NI	23:2	109-5488	1	Tire
9	109-3397	2	Pulley-Idler, Flat	24	242-50	8	Nut-Lug
10	1-603402	1	Spring-Extension	25	115-9613	1	V-Belt
11	3231-4	2	Screw-CARR	26	115-9618	1	HYD Reservoir ASM
12	323-12	1	Screw-HH	26:2	109-3320	1	Cap-Reservoir, HYD
13	109-3652	2	Spacer-Hydro	27	115-4969	2	Hose-Overflow
14	115-2559	1	Shaft-Cross, Hydro	28	117-1193	4	Clamp-Hose
15	322-13	4	Screw-HH	29	46-8560	2	Screw-HHFTF
16	104-8300	8	Nut-Flange, NI	30	117-1158	2	Decal-Bypass
17	322-38	2	Screw-HH	31	3256-23	8	Washer-Flat
18	322-11	2	Screw-HH	32	117-5351	1	Spacer
				33	117-7248-03	2	Plate-Spring
				34	110769	2	Spring-Extension

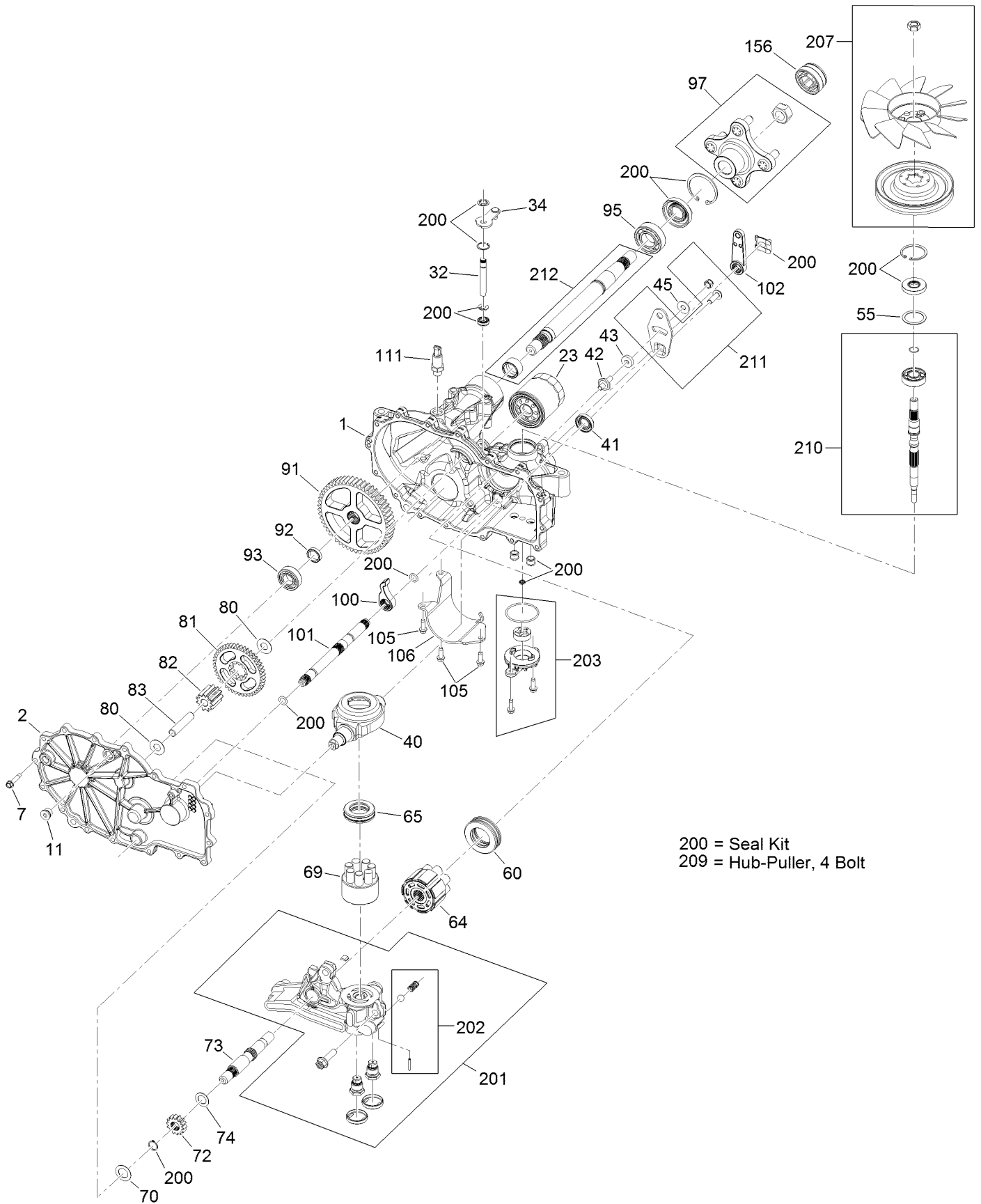
# RH Hydro Assembly No. 115-2550



## RH Hydro Assembly No. 115-2550 (continued)

<i>Ref.</i>	<i>Part Number</i>	<i>Qty.</i>	<i>Description</i>	<i>Ref.</i>	<i>Part Number</i>	<i>Qty.</i>	<i>Description</i>
1	117-5357	1	RH Main Housing Kit	82	114-1693	1	Gear-11T
2	117-5358	1	Housing Side Kit	83	104-5329	1	Pin-Jackshaft
7	117-5359	16	Screw-HHF	91	114-1694	1	Gear-54T
11	104-2189	1	Plug-Thread, Straight	92	120-7975	1	Spacer
23	109-3321	1	Element-Oil Filter, HYD	93	114-1696	1	Bearing-Ball
32	114-1685	1	Rod-Bypass	95	120-7976	1	Bearing-Ball
34	107-2490	1	Arm-Bypass	97	109-5939	1	Hub Kit
40	104-5304	1	Swashplate-Trunnion	100	114-1697	1	Pawl-Brake
41	104-5313	1	Seal-Lip	101	120-7977	1	Brake Shaft Kit
42	104-2116	1	Stud	102	125-0021	1	Handle, Brake
43	112-9853	1	Puck-Friction	105	104-2120	3	Screw
45	114-8491	1	Washer	106	120-7981	1	Guard-Filter, RH
55	104-5308	1	Spacer	111	109-3278	1	Adapter-Straight
60	112-4154	1	Bearing-Thrust	156	115-5057	1	Cover-Nut, Axle
64	114-1689	1	Motor Cylinder Block Kit	200	109-3537	1	Complete Seal Kit
65	94-6922	1	Bearing-Thrust	201	114-8463	1	RH Center Section Kit
69	110-8561	1	Pump Block ASM	202	114-8464	1	Charge Relief Kit
70	104-5339	1	Washer-Flat	203	114-8465	1	Charge Kit
72	114-1690	1	Gear-14T	207	125-0059	1	Kit, Fan And Pulley
73	114-1691	1	Shaft-Motor	209	114-8467	1	Hub-Puller, 4 Bolt
74	104-5360	1	Washer	210	117-5361	1	Shaft Input Kit
80	94-1933	1	Washer	211	117-5362	1	Arm Control Kit
81	114-1692	1	Gear-45T	212	114-8470	1	Axle Shaft Kit

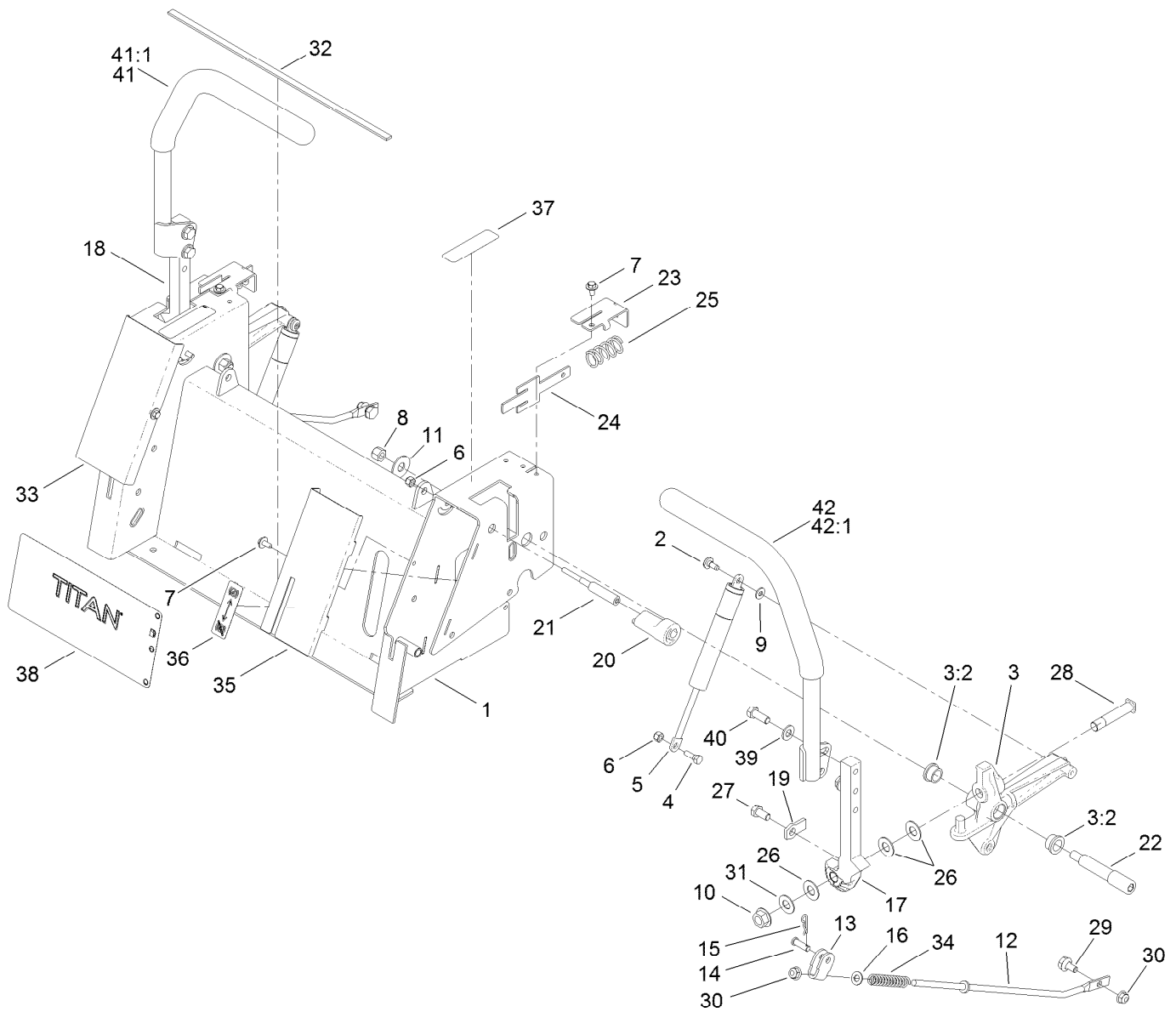
# LH Hydro Assembly No. 115-2551



## LH Hydro Assembly No. 115-2551 (continued)

<i>Ref.</i>	<i>Part Number</i>	<i>Qty.</i>	<i>Description</i>	<i>Ref.</i>	<i>Part Number</i>	<i>Qty.</i>	<i>Description</i>
1	114-8471	1	Main Housing Kit	82	114-1693	1	Gear-11T
2	114-8472	1	Side Cover Kit	83	104-5329	1	Pin-Jackshaft
7	117-5359	16	Screw-HHF	91	114-1694	1	Gear-54T
11	104-2189	1	Plug-Thread, Straight	92	120-7975	1	Spacer
23	109-3321	1	Element-Oil Filter, HYD	93	114-1696	1	Bearing-Ball
32	114-1685	1	Rod-Bypass	95	120-7976	1	Bearing-Ball
34	107-2490	1	Arm-Bypass	97	109-5939	1	Hub Kit
40	104-5304	1	Swashplate-Trunnion	100	114-1697	1	Pawl-Brake
41	104-5313	1	Seal-Lip	101	120-7977	1	Brake Shaft Kit
42	104-2116	1	Stud	102	125-0021	1	Handle, Brake
43	112-9853	1	Puck-Friction	105	104-2120	3	Screw
45	114-8491	1	Washer	106	120-7979	1	Guard-Filter, LH
55	104-5308	1	Spacer	111	109-3278	1	Adapter-Straight
60	114-1688	1	Bearing-Thrust	156	115-5057	1	Cover-Nut, Axle
64	114-1689	1	Motor Cylinder Block Kit	200	109-3537	1	Complete Seal Kit
65	94-6922	1	Bearing-Thrust	201	114-8476	1	LH Center Section Kit
69	110-8561	1	Pump Block ASM	202	114-8464	1	Charge Relief Kit
70	104-5339	1	Washer-Flat	203	114-8465	1	Charge Kit
72	114-1690	1	Gear-14T	207	125-0059	1	Kit, Fan And Pulley
73	114-1691	1	Shaft-Motor	209	114-8467	1	Hub-Puller, 4 Bolt
74	104-5360	1	Washer	210	117-5361	1	Shaft Input Kit
80	94-1933	2	Washer	211	117-5362	1	Arm Control Kit
81	114-1692	1	Gear-45T	212	114-8470	1	Axle Shaft Kit

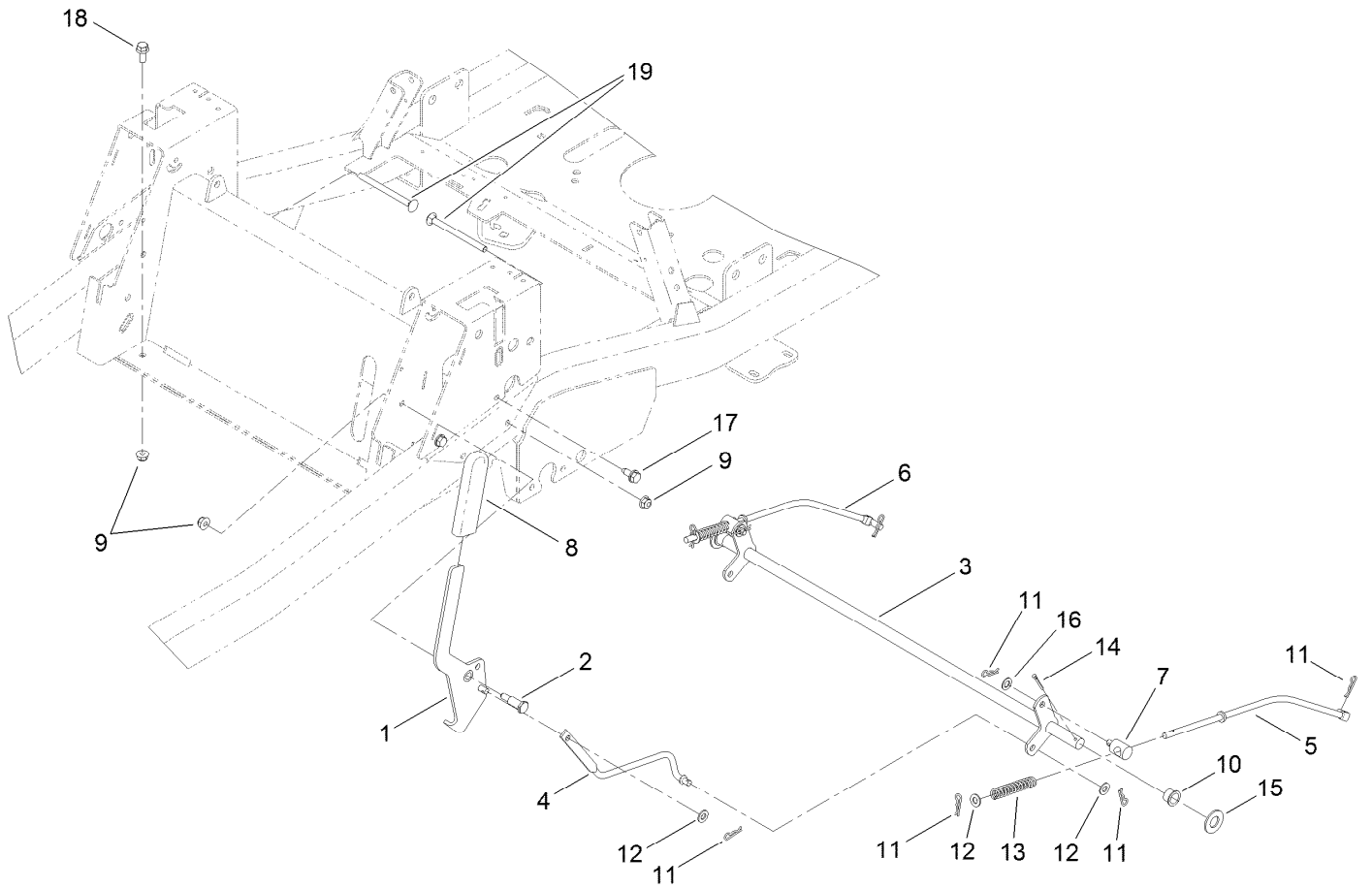




## Motion Control Assembly (continued)

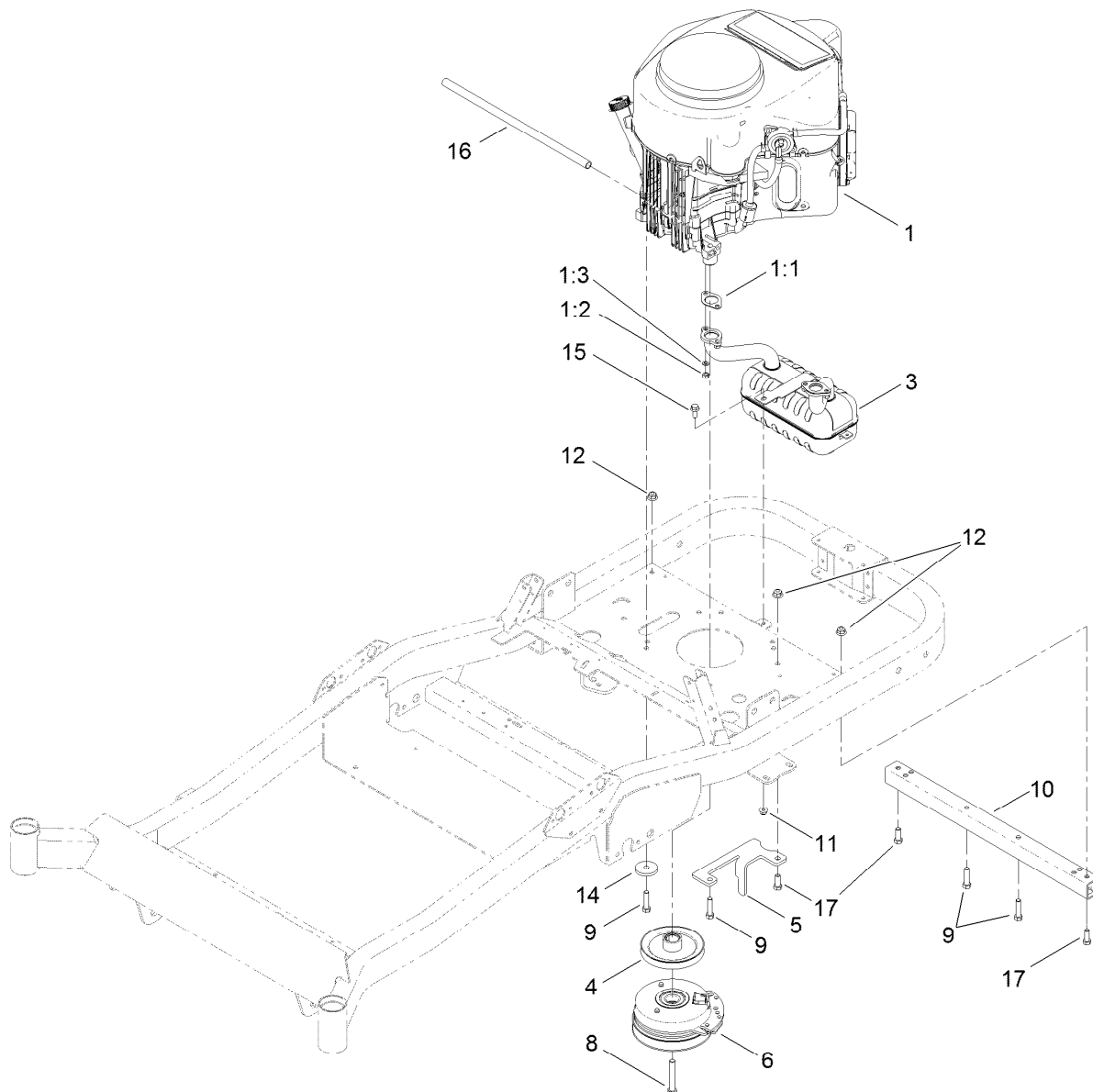
<i>Ref.</i>	<i>Part Number</i>	<i>Qty.</i>	<i>Description</i>
41:1	121-0726	1	Grip

<i>Ref.</i>	<i>Part Number</i>	<i>Qty.</i>	<i>Description</i>
42	121-0730	1	Handle-Control, LH
42:1	121-0726	1	Grip



## Brake Link Assembly

<i>Ref.</i>	<i>Part Number</i>	<i>Qty.</i>	<i>Description</i>	<i>Ref.</i>	<i>Part Number</i>	<i>Qty.</i>	<i>Description</i>
1	119-3460	1	Handle-Brake	11	1-806003	8	Pin-Cotter, Hair
2	63-2650	1	Screw-Shoulder	12	3256-23	4	Washer-Flat
3	115-5071-03	1	Brake-Bellcrank	13	1-603807	2	Spring-Return, Neutral
4	115-5074	1	Link-Brake	14	3272-11	2	Pin-Cotter
5	117-7322	1	Rod-Brake, LH	15	3256-27	2	Washer-Flat
6	117-7323	1	Rod-Brake, RH	16	40-1940	2	Washer
7	115-9681	2	Fitting-Rod	17	32144-70	4	Screw-HWHTF
8	1-633268	1	Grip-Lever	18	3234-47	2	Screw-HHF
9	104-8300	5	Nut-Flange, NI	19	106-9758	2	Screw-CARR
10	256-292	2	Bushing-Flange, NI				



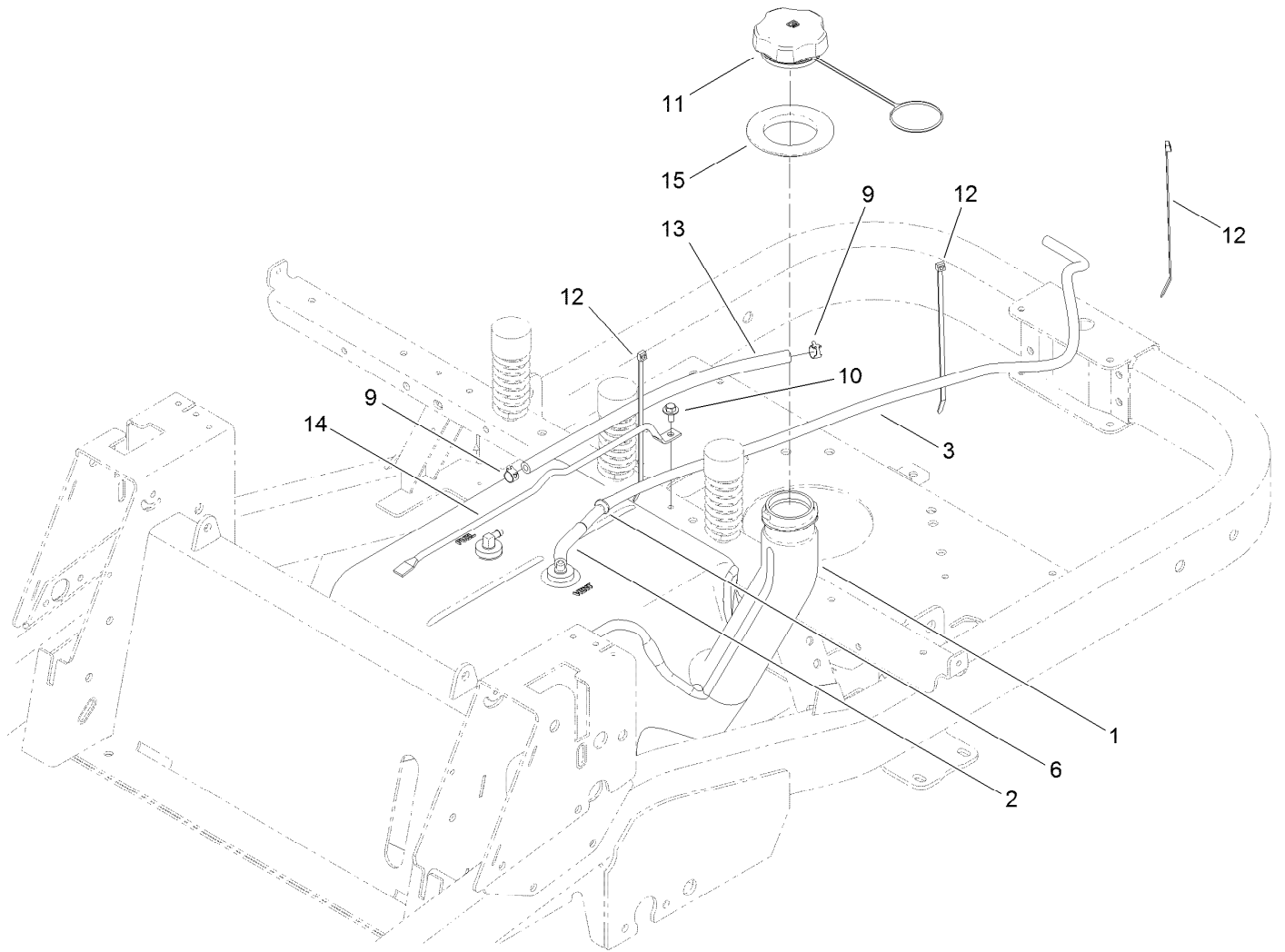
## Engine, Muffler and Clutch Assembly

Ref.	Part Number	Qty.	Description
1		1	Engine-Kawasaki, Fr651V-S52-R ●■
1:1	1-653313	2	Gasket-Exhaust
1:2	114-3549	4	Nut
1:3	114-3550	4	Washer-Lock, Spring
3	117-7465	1	Muffler-Kawasaki Twin
4	115-2568	1	Pulley-Engine
5	117-7344-03	1	Bracket-Stop, PTO
6	117-1252	1	Clutch-PTO

Ref.	Part Number	Qty.	Description
8	3212-11	1	Screw-HH
9	323-50	4	Bolt-HH
10	117-7335-03	1	Tube-Stiffener
11	104-8300	1	Nut-Flange, NI
12	104-8301	3	Nut-Flange, NI
14	110-9981	1	Washer-Plain
15	3234-47	1	Screw-HHF
16	106-7022	1	Tube-Drain, Oil
17	323-6	3	Screw-HH

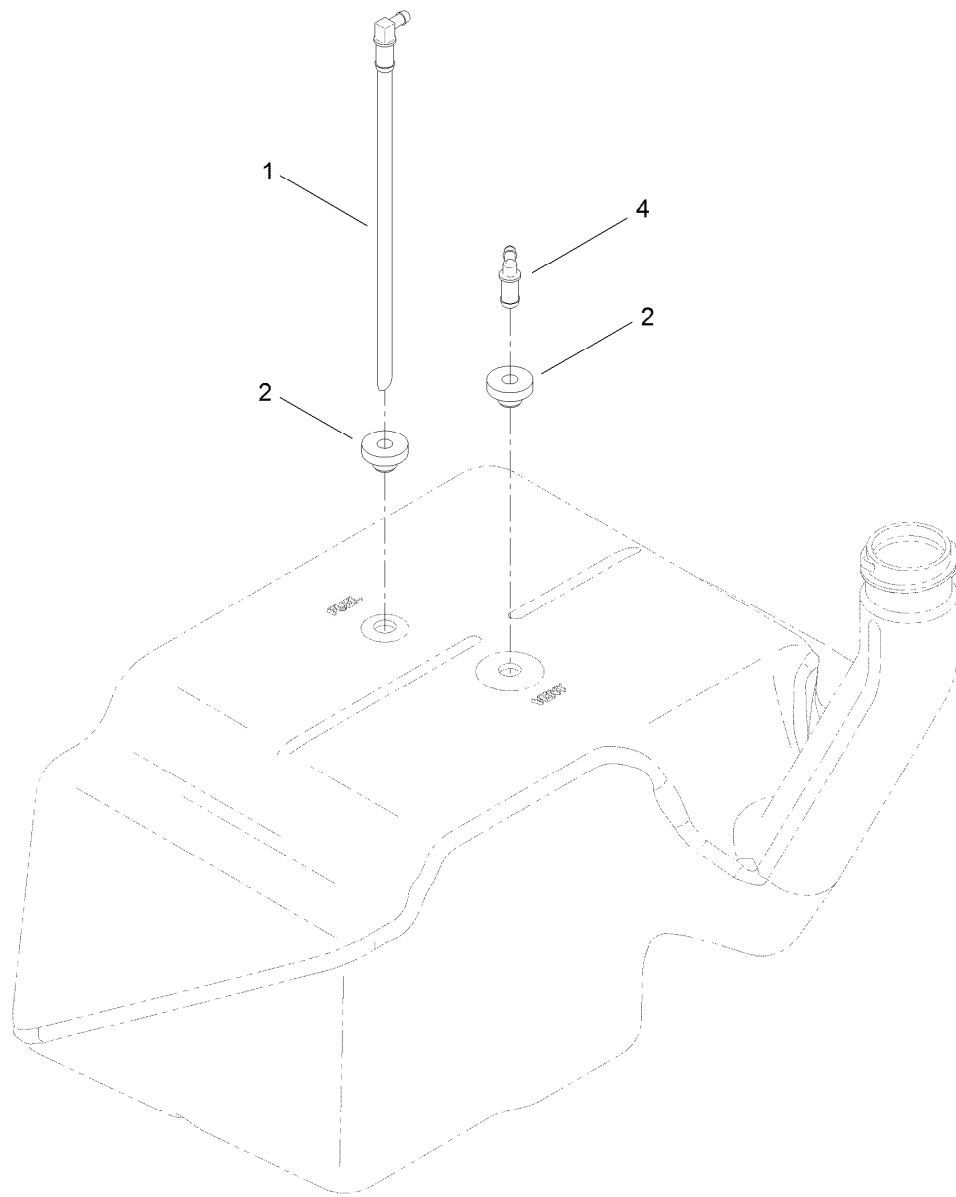
● Not serviced separately

■ Obtain parts from [www.kawpowerpc.com](http://www.kawpowerpc.com)



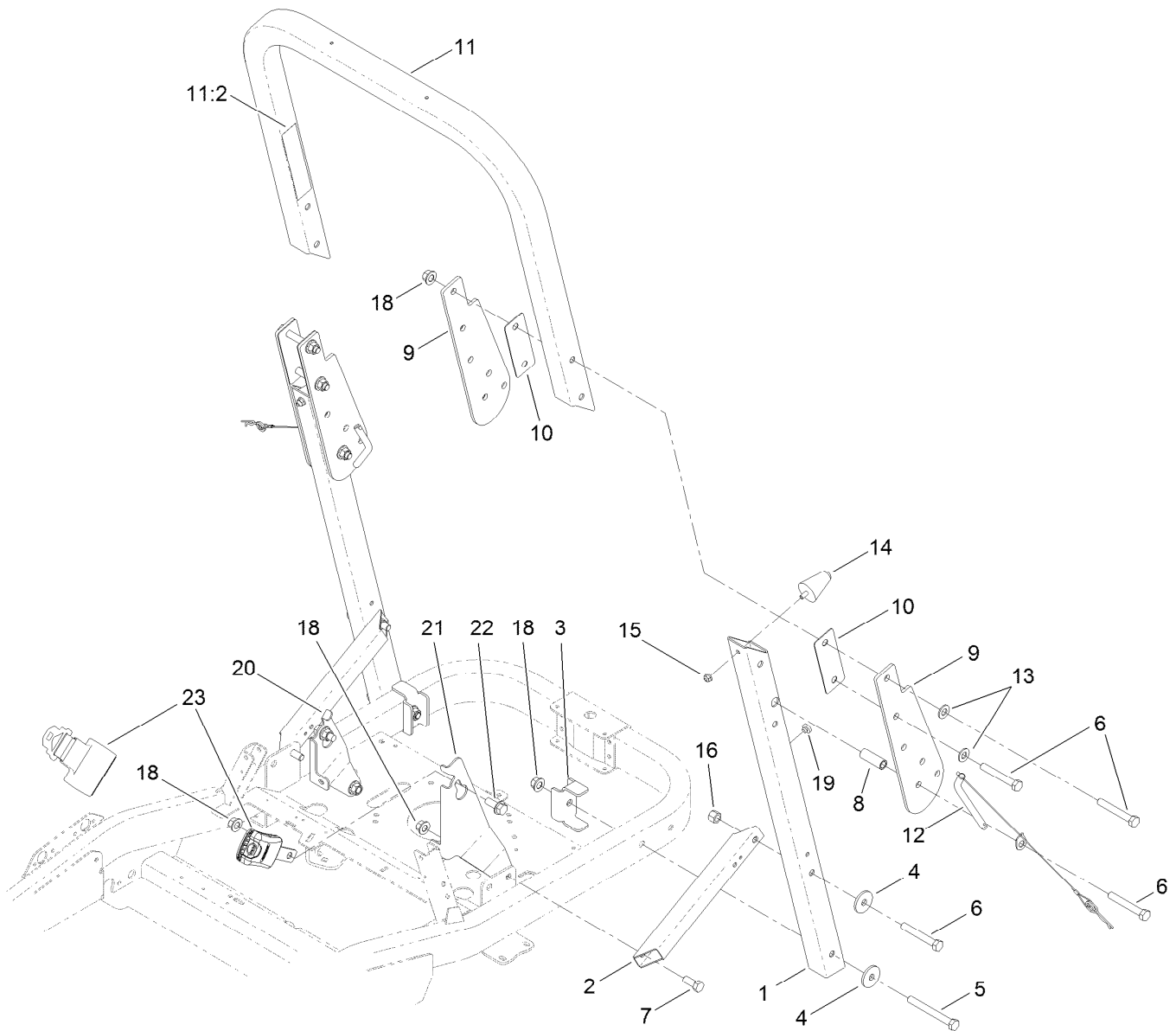
## Fuel Delivery Assembly

<b>Ref.</b>	<b>Part Number</b>	<b>Qty.</b>	<b>Description</b>
1	117-7352	1	Multi Layer Fuel Tank ASM
2	114-3765	1	Hose-Fuel
3	51-3212	1	Hose-Fuel
6	121-0743	1	Adapter-Orifice
9	2412-98	2	Clamp-Hose
10	46-8560	1	Screw-HHFTF
11	114-0294	1	Cap-Fuel, Racheting
12	614249	3	Tie-Cable
13	107-0589	1	Hose-Fuel
14	115-2620	1	Rod-Tank, Gas
15	117-1298	1	Seal-Tank



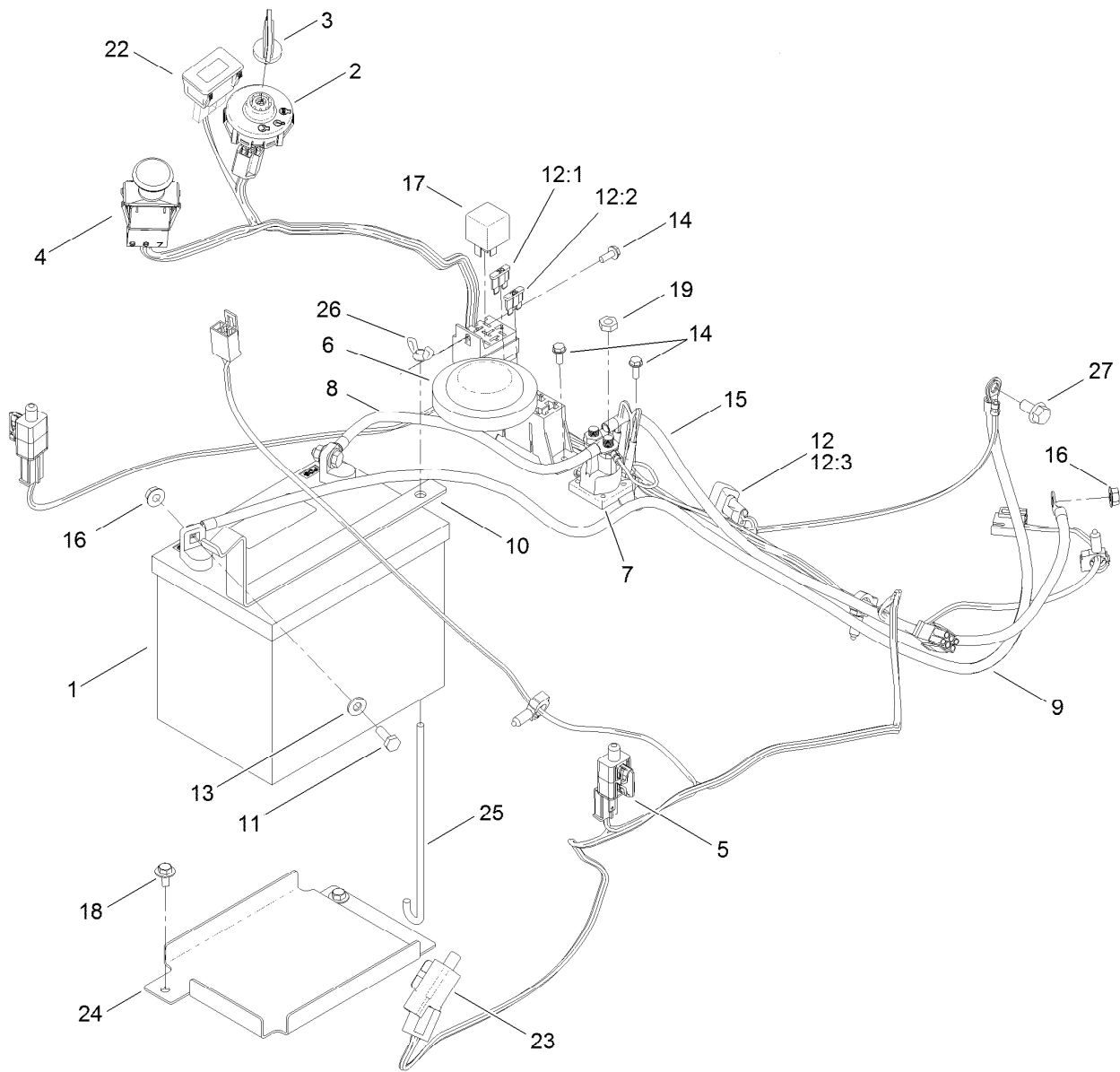
## Multi Layer Fuel Tank Assembly No. 117-7352

<i>Ref.</i>	<i>Part Number</i>	<i>Qty.</i>	<i>Description</i>
1	121-0793	1	Connector-Elbow, 90 DEG
2	46-6560	2	Bushing
4	117-7400	1	Fitting-Plastic



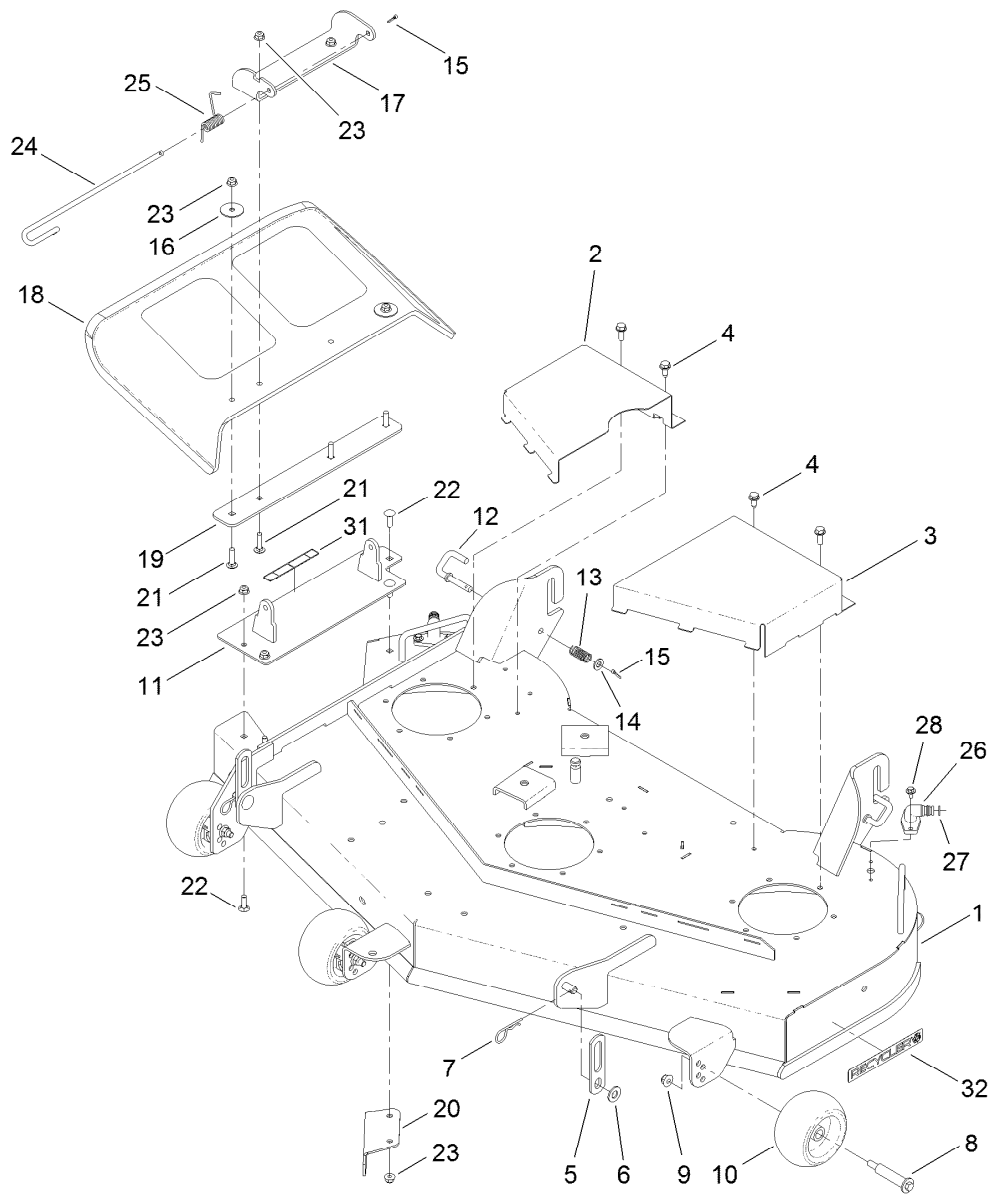
## Roll-Over Protection System Assembly

<i>Ref.</i>	<i>Part Number</i>	<i>Qty.</i>	<i>Description</i>	<i>Ref.</i>	<i>Part Number</i>	<i>Qty.</i>	<i>Description</i>
1	121-2986-03	2	Tube-ROPS, Lower	12	119-8970	2	Pin-ROPS
2	115-4962-03	2	Tube-Support, ROPS	13	3256-26	4	Washer-Flat
3	115-4963-03	2	Bracket-Reinforcing	14	114-1925	2	Bumper-Rubber
4	84-1560	4	Washer-Thrust	15	104-8300	2	Nut-Flange, NI
5	325-18	2	Screw-HH	16	119-8969	2	Nut-Hex
6	325-14	8	Screw-HH	18	99-5107	10	Nut-Lock
7	325-5	2	Screw-HH	19	1-513658	2	Bumper
8	109-6653	2	Spacer	20	115-5038-03	1	Bracket-Seat Belt
9	119-8911-03	4	Bracket-Pivot, ROPS	21	115-5060-03	1	Bracket-Seat Belt
10	119-8926-03	4	Spacer-ROPS	22	3234-38	2	Screw-HHF
11	119-8991	1	Upper ROPS ASM	23	109-9805	1	Seat Belt Kit
11:2	107-3069	1	Decal-Warning, Folding ROPS				



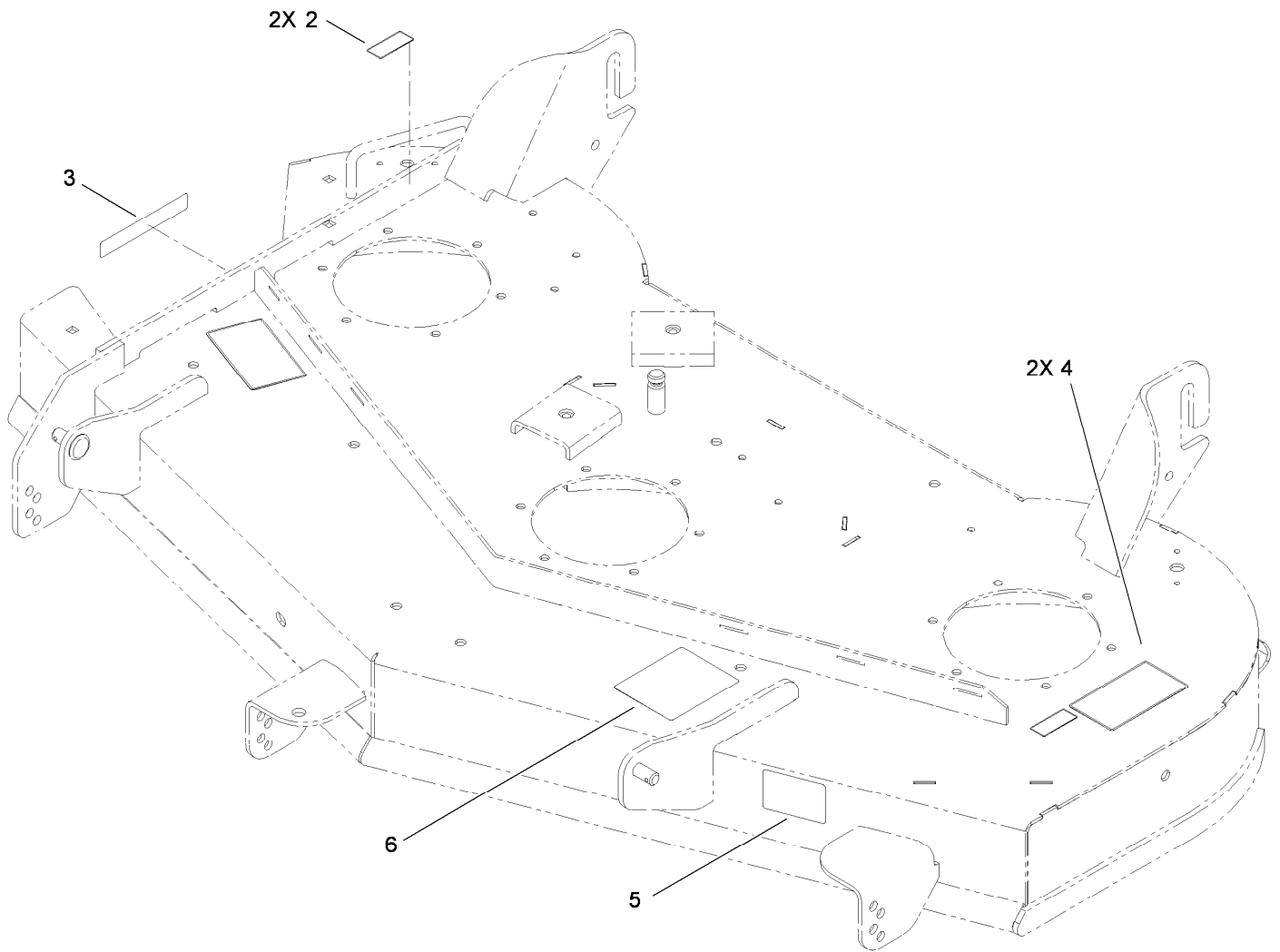
## Electrical Assembly

<i>Ref.</i>	<i>Part Number</i>	<i>Qty.</i>	<i>Description</i>	<i>Ref.</i>	<i>Part Number</i>	<i>Qty.</i>	<i>Description</i>
1	105-1692	1	Battery	12:3	100-4918	1	Diode
2	117-2221	1	Switch-Ignition	13	3256-22	2	Washer-Flat
3	63-8360	1	Key-Ignition	14	32144-1	5	Screw-Taptite
4	103-5221	1	Switch-PTO	15	92-6989	1	Wire-21 Inch
5	110-6765	2	Switch-Single Pole No	16	32128-33	3	Nut-HF
6	100-3524	1	Switch-Seat	17	98-7249	1	Relay
7	117-1197	1	Solenoid	18	46-8560	2	Screw-HHFTF
8	117-5342	1	Cable-Battery, Positive	19	3220-2	2	Nut-Jam
9	117-7240	1	Cable-Battery, Negative	22	120-2244	1	Hourmeter
10	117-7313-01	1	Strap-Battery	23	99-7408	1	Switch-Reverse
11	321-4	2	Screw-HH	24	117-1283-03	1	Tray-Battery
12	121-3015	1	Harness-Wire	25	1-633651	1	Bolt-Holddown
12:1	109103	1	Fuse-Blade, 30 Amp	26	1-543792	1	Wingnut
12:2	109102	1	Fuse-Blade, 25 Amp	27	33104-016	1	Screw-HHF



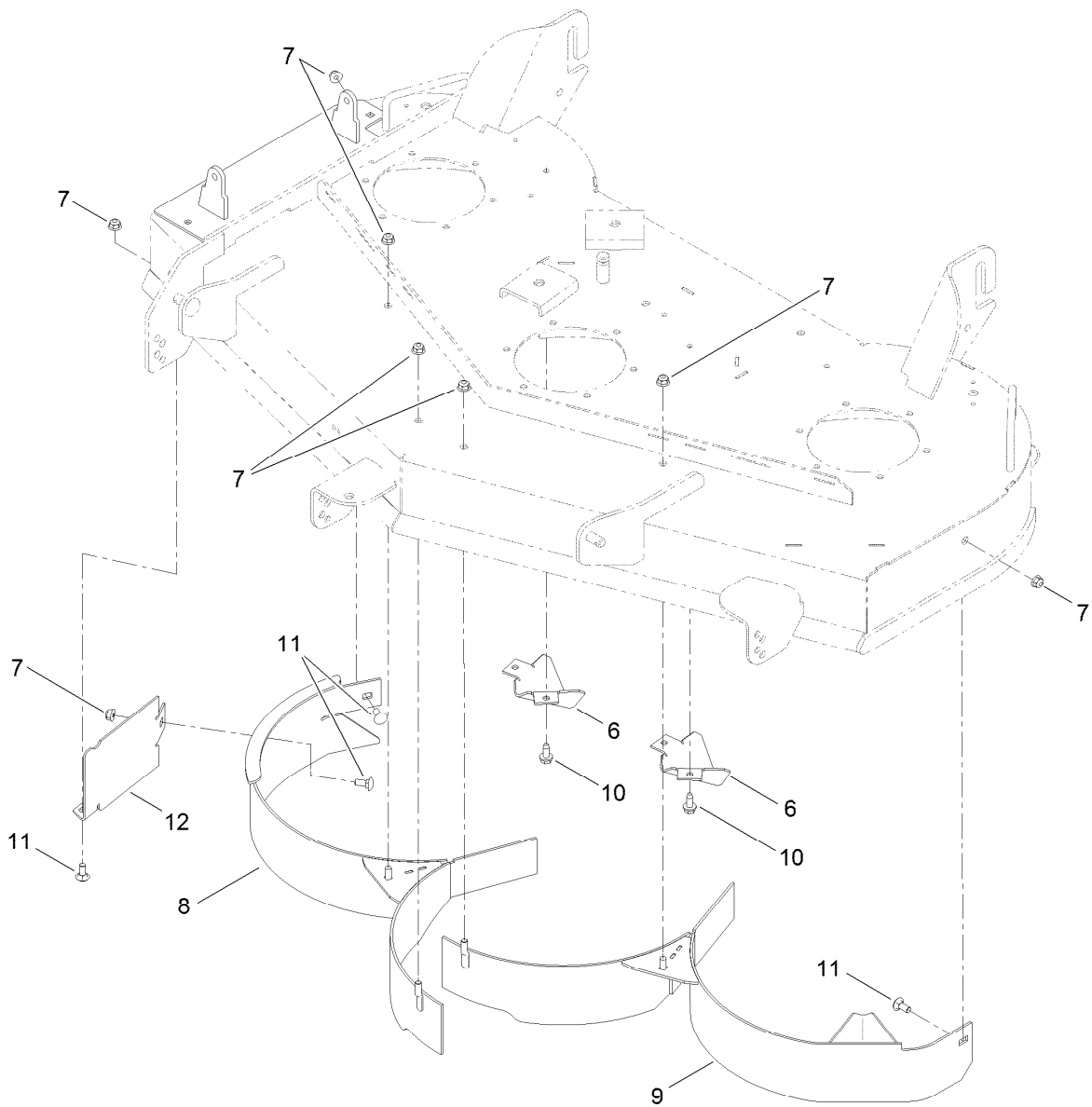
## 48 Inch Deck Assembly

Ref.	Part Number	Qty.	Description	Ref.	Part Number	Qty.	Description
1	119-3383	1	48 Inch Deck And Decal ASM	16	3256-68	2	Washer-Flat
2	117-7396-03	1	Cover-Belt, RH	17	114-1648-03	1	Bracket-Deflector, Upper
3	117-7397-03	1	Cover-Belt, LH	18	117-1270	1	Deflector-Molded
4	32144-70	2	Screw-HWHTF	19	115-5048-03	1	Plate-Deflector
5	115-2622	2	Link-Lift	20	117-7418-03	1	Baffle-Cutoff
6	3256-26	2	Washer-Flat	21	3230-3	4	Screw-CARR
7	1-806005	2	Pin-Hair	22	3230-22	4	Screw-CARR
8	112-3977	3	Bolt-Shoulder	23	104-8300	8	Nut-Flange, NI
9	104-8301	3	Nut-Flange, NI	24	109-8854	1	Pin-Chute
10	1-603299	3	Roller-Scalp, Anti	25	121-2983	1	Spring-Torsion
11	117-7367-03	1	Plate ASM	26	95-2747	2	Fitting-Washout
12	115-2470	2	Pin-Latch	27	46-6290	2	O-Ring, Seal
13	101853	2	Spring-Compression	28	46-8560	4	Screw-HHFTF
14	3256-24	2	Washer-Flat	31	93-7009	1	Decal-Danger, Deflector
15	3272-10	3	Pin-Cotter	32	119-2368	1	Decal-Recycler



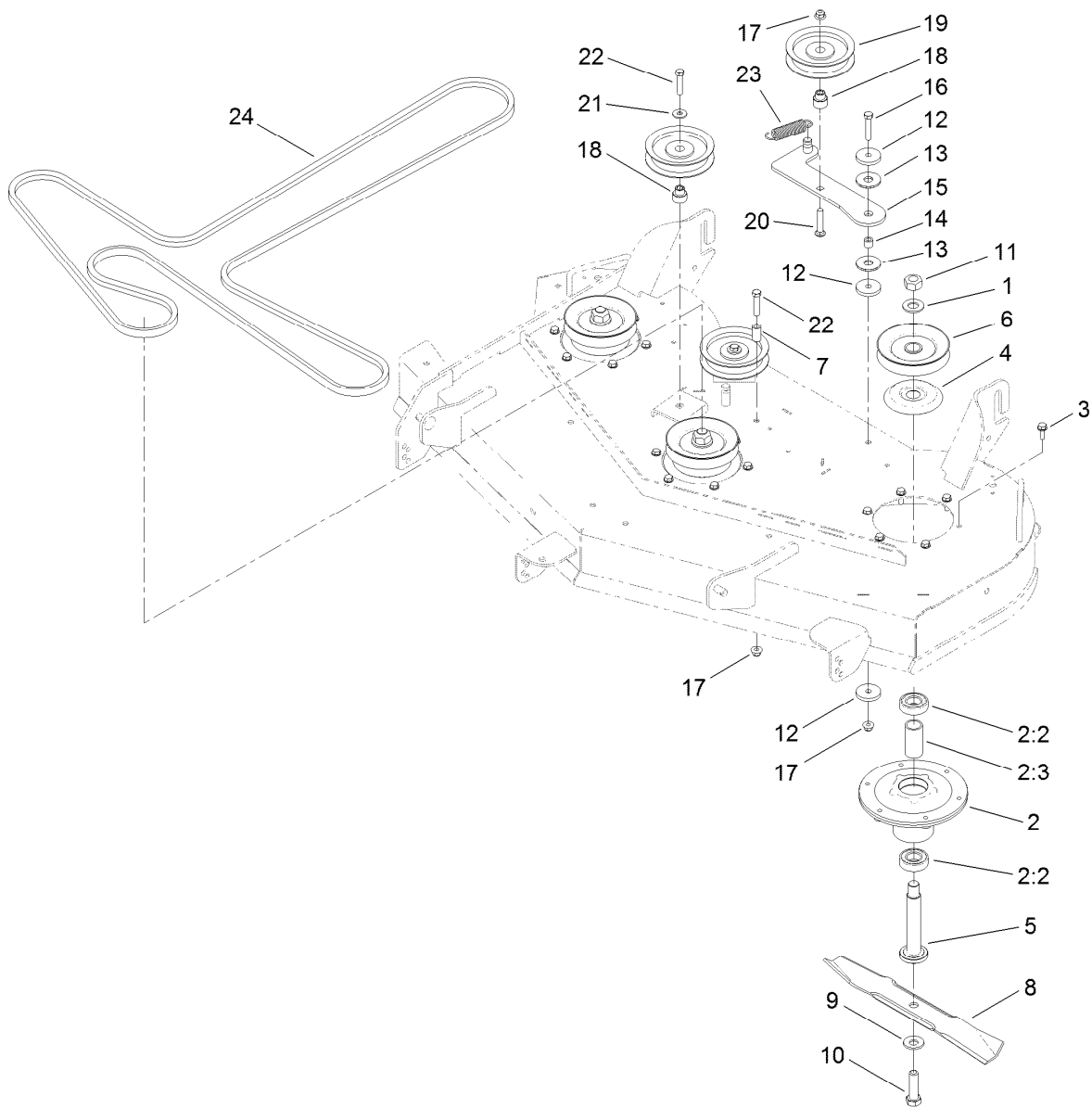
## 48 Inch Deck Decal Assembly No. 119-3383

<i>Ref.</i>	<i>Part Number</i>	<i>Qty.</i>	<i>Description</i>
2	114-1606	2	Decal-Danger, Pulley
3	93-7009	1	Decal-Danger, Deflector
4	110-6691	2	Decal-Danger
5	112-9840	1	Decal-Scalp, Anti
6	117-1194	1	Decal-Routing, Belt



## 48 Inch Deck Baffle and Guard Assembly

<i>Ref.</i>	<i>Part Number</i>	<i>Qty.</i>	<i>Description</i>
6	119-3389-03	2	Kicker-Flanged
7	104-8300	8	Nut-Flange, NI
8	117-7379-03	1	RH Baffle ASM
9	117-7380-03	1	LH Baffle ASM
10	32144-70	4	Screw-HWHTF
11	3230-1	4	Bolt-CARR
12	119-3352-03	1	Guard-Baffle



## 48 Inch Deck Belt, Spindle and Mulch Blade Assembly

Ref.	Part Number	Qty.	Description
1	7-4150	3	Washer
2	120-5477	3	Spindle ASM
2:2	116-0720	2	Bearing-Ball
2:3	115-2641	1	Spacer-Bearing
3	32144-41	18	Screw-Taptite
4	117-7210	3	Shield-Bearing
5	115-2642	3	Shaft-Spindle
6	117-7326	3	Pulley
7	1-603401	1	Spacer-Fender
8	117-7278-03	3	Blade-Mulch, 16.50In
9	22-8520	3	Washer-Belleville
10	51-4060	3	Screw-Blade
11	3219-7	3	Nut-Hex

Ref.	Part Number	Qty.	Description
12	110-9981	3	Washer-Plain
13	114-0463	2	Washer-Friction, Composite
14	1-413088	1	Bushing-Lever, Lift
15	115-5054	1	Idler Arm ASM
16	323-10	1	Screw-HH
17	104-8301	3	Nut-Flange, NI
18	115-2577	3	Bushing-Idler
19	116-3626	3	Pulley-Idler
20	3231-6	1	Screw-CARR
21	80-6990	2	Washer-Hardened
22	323-9	3	Screw-HH
23	108-4056	1	Spring-Extension
24	117-7325	1	V-Belt

# Attachments and Accessories

## For 74920 TITAN ZX4820 Zero-Turn-Radius Riding Mower

<b>Product Name</b>	<b>Model/Part</b>
Step Kit .....	117-5316
Light Kit.....	117-5317
Transport Seat Hold Down Kit.....	117-7251
48in Striping Kit.....	119-3380
Leaf Bagging Enhancement Kit .....	119-3381
48in Bagger Finishing Kit, 2012 and After TITAN and TimeCutter MX Series Riding Mower.....	121-5662
Hitch Kit .....	79014
Bagger .....	79328

**Notes:**



**Count on it.**