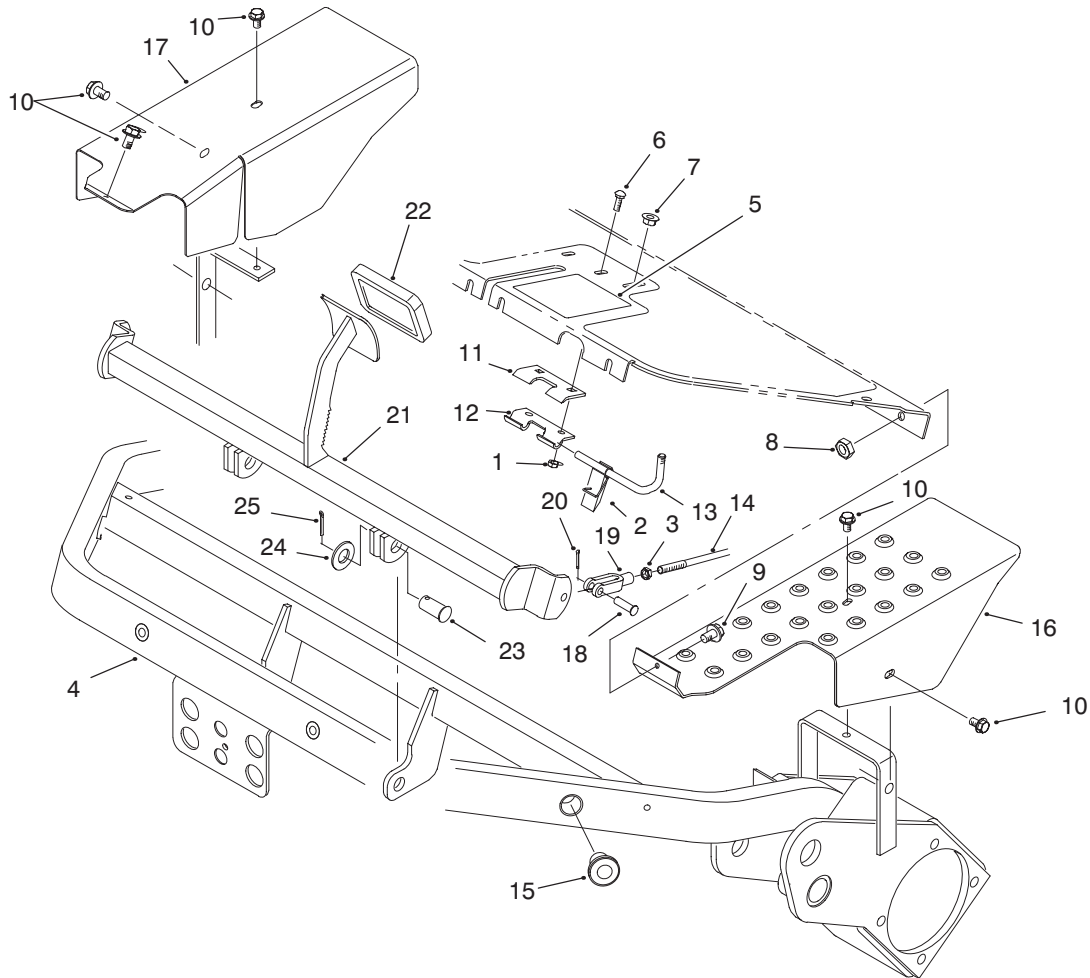




MODEL NO. 04381-60001 & UP

PARTS
CATALOG

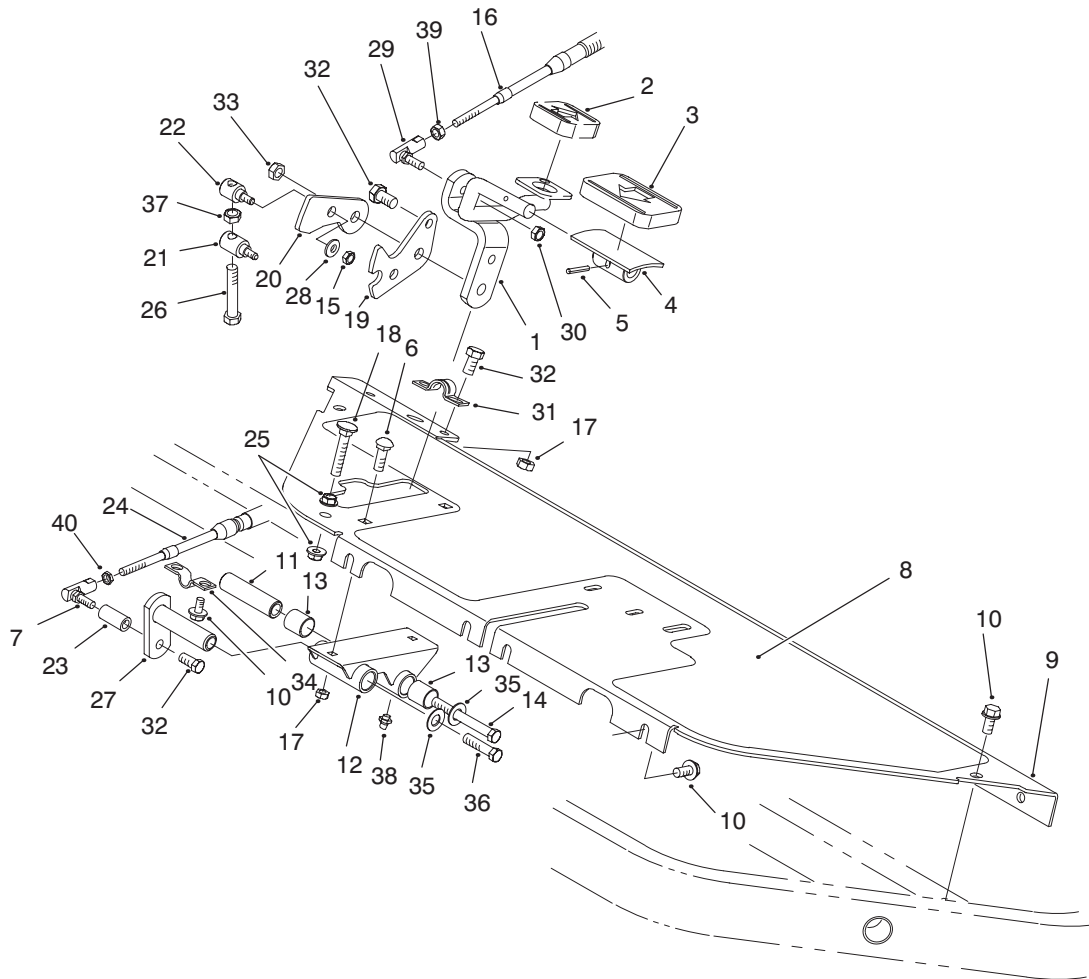
GREENSMASTER 3200D TRACTION UNIT



T-2222A

FRAME & BRAKE PEDAL ASSEMBLY

Ref. No.	Part No.	Description	No. Used	Ref. No.	Part No.	Description	No. Used
1	33023-00	Nut - Lock	2	14	93-2069	Rod - Brake	2
2	93-2276	Spring - Brake Latch	1	15	83-1700	Bushing - Flange	3
3	3220-2	Nut - Jam	2	16	93-2073	Shield - Wheel LH	1
4	93-2010	Frame	1	17	93-2072	Shield - Wheel RH	1
5	93-8062	Decal - Parking Brake	1	18	283-61	Pin - Clevis	2
6	33123-016	Screw - Carriage	2	19	282-2	Clevis	2
7	32141-111	Nut - Adjustable	1	20	3272-6	Pin - Cotter	2
8	33024-00	Nut - Lock	1	21	93-2075	Brake Pedal	1
9	33114-020	Screw - HH	1	22	93-7629	Pad - Foot Brake	1
10	32144-14	Screw - HH	5	23	283-87	Pin - Clevis	2
11	10-7880	Hinge - Upper	1	24	3256-27	Washer - Flat	2
12	10-7890	Hinge - Lower	1	25	3272-11	Pin - Cotter	2
13	93-2080	Brake Latch	1				



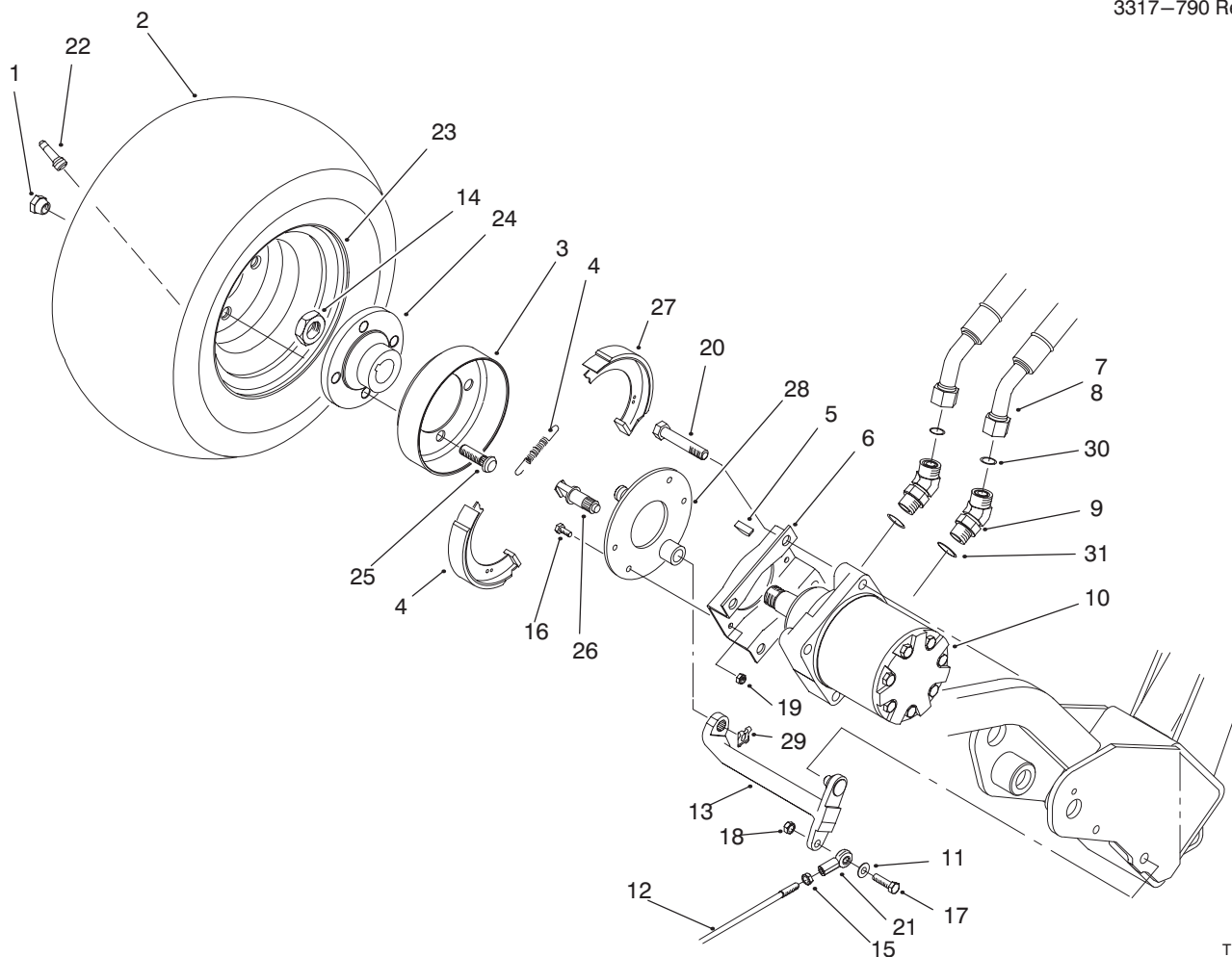
T-2242B

FLOOR PANEL & TRACTION PEDAL ASSEMBLY

Ref. No.	Part No.	Description	No. Used
1	93-2085	Rod	1
2	74-9110	Pad - Pedal Reverse	1
3	74-9100	Pad - Pedal Forward	1
4	49-6440	Pedal - Accelerator	1
5	32121-45	Roll Pin	1
6	33124-020	Screw - Carr.	2
7	2411-38	Ball Joint Assembly	1
8	93-2142	Pad - Floor Plate	1
9	93-2141	Plate - Floor	1
10	32144-14	Screw - HH	8
11	94-1371	Spacer	1
12	94-1383	Pedal Pivot	1
13	256-311	Bushing - Straight	4
14	33115-090	Screw - HH	1
15	33023-00	Nut - Lock	2
16	93-2099	Cable - Traction Control	1
17	33024-00	Nut - Lock	4
18	17-9420	Screw - Handle	1
19	94-1373	Bracket - Lock	1
20	94-1372	Bracket - Mow	1

Ref. No.	Part No.	Description	No. Used
21	94-1375	Trunion Lock Bracket	1
22	94-1374	Trunion Mow Bracket	1
23	94-1386	Shaft - Pedal Lock	1
24	94-1304	Cable - Neutral Lock	1
25	32128-20	Nut - Lock	2
26	94-3489	Screw - HH	1
27	94-1300	Neutral Lock	1
28	3256-1	Washer - Flat	2
29	2411-34	Ball Joint	1
30	3296-13	Nut - Lock	1
31	93-2092	Clamp - Cable	1
32	33114-016	Screw - HH	4
33	33025-00	Nut - Lock	1
34	93-2279	Clamp - Cable	1
35	3256-24	Washer - Flat	2
36	33115-016	Screw - HH	1
37	33014-00	Nut - Hex	1
38	302-5	Fitting - Grease	1
39	3220-1	Nut - Jam	1
40	3219-14	Nut - Hex.	1

* Not Illustrated.



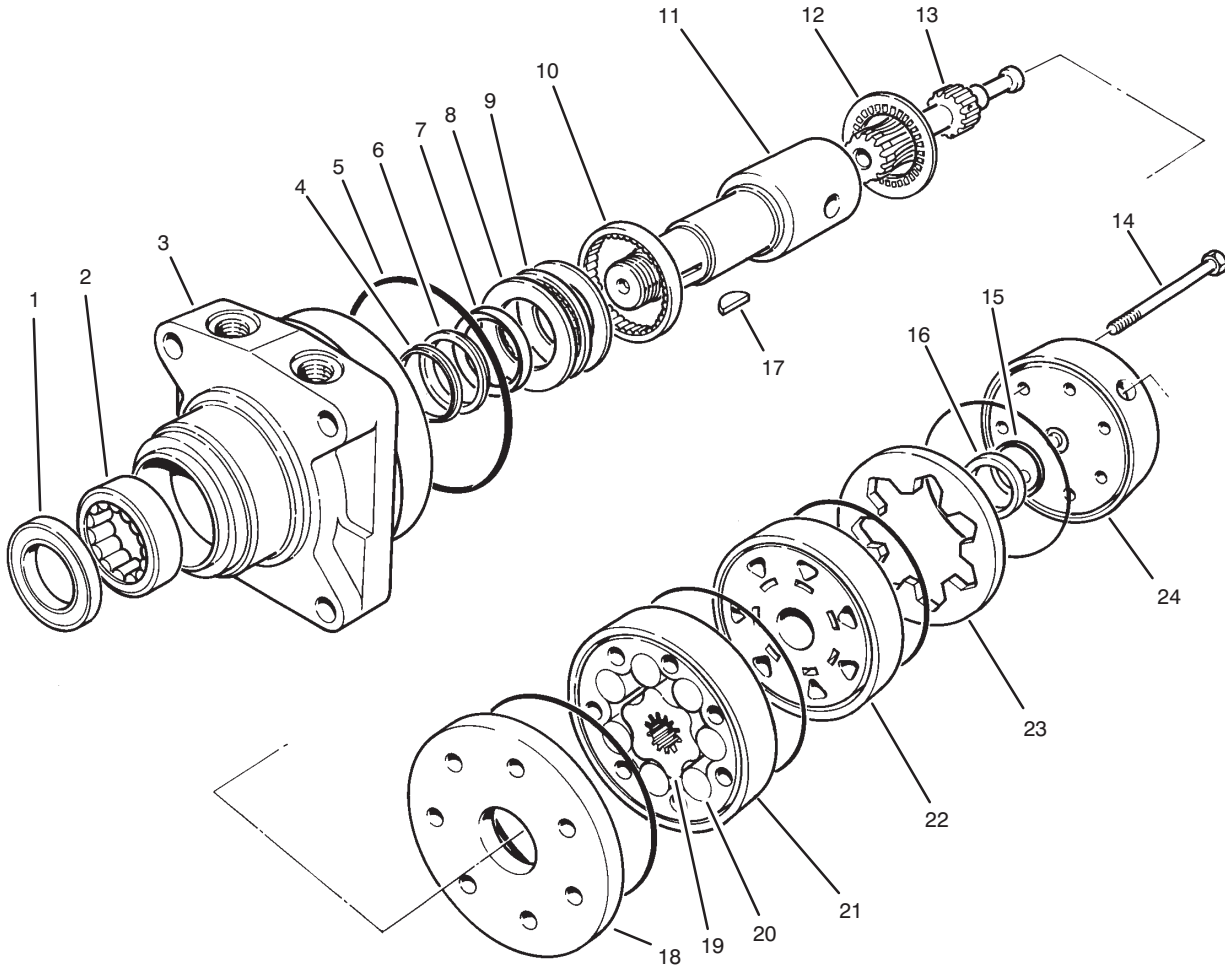
T-2223

FRONT WHEEL & BRAKE ASSEMBLY

Ref. No.	Part No.	Description	No. Used
1	242-50	Nut - Lug	8
2	28-3680	Tire	2
3	10-6850	Drum - Brake	2
4	70-9880	Spring - Return	4
5	3257-42	Key - Woodruff	2
6	84-2000	Bracket - Brake	2
7	94-5357	Hose Assembly - RH	2
8	94-5358	Hose Assembly - LH	2
9	340-14	Fitting - 45° (Incl. Ref. #30-31)	4
10	92-9199	Hydraulic Motor - Wheel	2
11	3256-23	Washer - Flat	2
12	93-2069	Rod - Brake	2
13	93-2096	Lever - Brake	2
14	26-3790	Nut - Lock	2
15	3220-20	Nut - Jam	2
16	33113-020	Screw - HH	8
17	33114-030	Screw - HH	2

Ref. No.	Part No.	Description	No. Used
18	33024-00	Nut - Lock NI	2
19	33023-00	Nut - Lock NI	8
20	33116-060	Screw - HH	8
21	93-2070	Clevis - Swivel	2
22	232-24	Stem - Valve	2
23	217-60	Rim	2
24	10-6870	Hub - Wheel	2
25	85-6540	Stud - Drive	8
26	70-9860	Cam - Brake	2
27	70-9840	Shoe - Brake	4
28	70-9870	Plate - Backing	2
29	70-9850	Clip - Retaining	2
30	237-65	O-Ring	4
31	237-80	O-Ring	4
*	10-6821	Brake Drum Assembly (Incl. Ref. #3 & 24-25)	2
*	71-1500	Brake Assembly (Incl. Ref. #4 & 26-29)	2

*Not Illustrated



T-0983

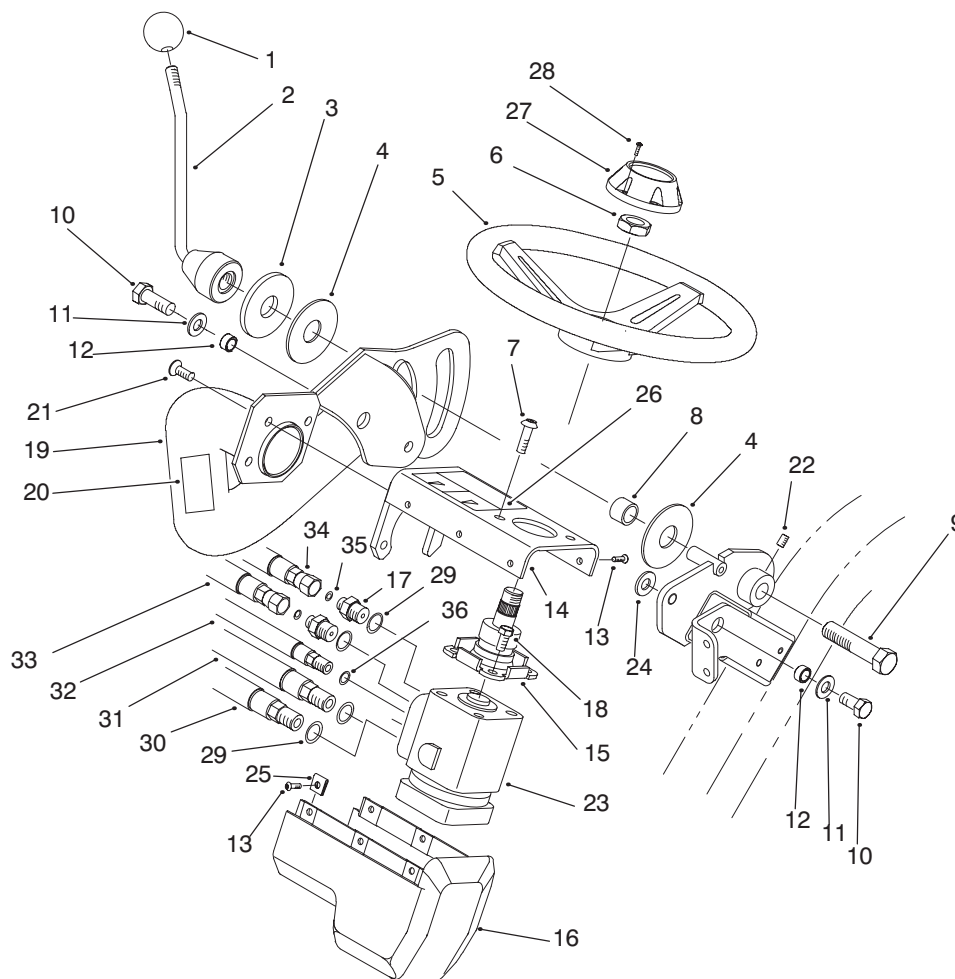
HYDRAULIC DRIVE MOTOR ASSEMBLY NO. 92-9199

Ref. No.	Part No.	Description	No. Used
†1		Seal – Dirt & Water	1
†2		Bearing	1
†3		Housing	1
†4		Washer – Back-Up	1
†5		Ring – Seal	5
†6		Washer – Back-Up	1
†7		Seal – Inner	1
†8		Washer – Thrust	2
†9		Bearing – Thrust	1
†10		Bearing	1
11	76-0860	Shaft – Coupling	1
12	76-0850	Bearing – Thrust	1
13	92-9761	Link – Drive	7
14	92-9762	Screw – Cap Hex. Hd.	1
†15		Seal – Commutator	1
†16		Commutator	1

Ref. No.	Part No.	Description	No. Used
17	3257-42	Key – Woodruff	1
18	76-0870	Plate – Wear	1
†19		Rotor	1
†20		Vane	7
†21		Stator	1
22	76-0840	Manifold	1
†23		Ring – Commutator	1
24	76-0940	End Cover Assembly	1
*	92-9763	Rotor Set (Incl. Ref. #19-21)	1
*	76-0880	Commutator Assembly (Incl. Ref. #15, 16 & 23)	1
*	76-0800	Seal Kit (Incl. Ref. #1, 4-7 & 15)	1
*	76-0810	Housing Assembly (Incl. Ref. #2, 3 & 8-10)	1

*Not Illustrated

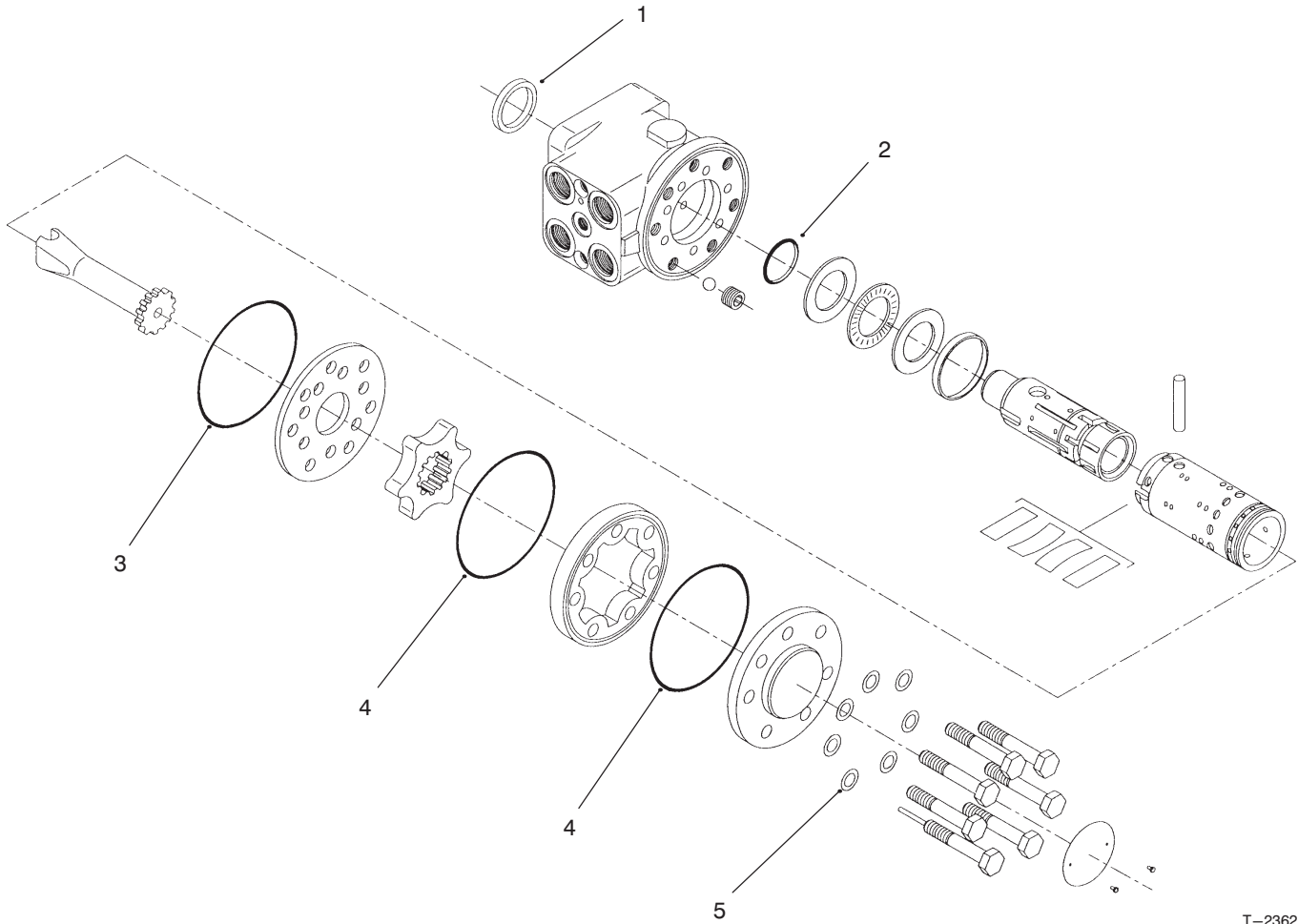
†Not Serviced Separately



T-2224

STEERING ARM ASSEMBLY

Ref. No.	Part No.	Description	No. Used	Ref. No.	Part No.	Description	No. Used
1	233-48	Knob	1	18	323-4	Screw - HH	2
2	93-2400	Lockup Handle	1	19	93-2115	Steering Arm	1
3	83-0760	Spacer - Lockup	1	20	93-8068	Decal - Steering Arm	1
4	83-0740	Disc - Friction	2	21	3274-80	Screw - HSBH	3
5	68-5130	Wheel - Steering (Incl. Ref. #27-28)	1	22	3242-2	Screw - Set	1
6	47-6990	Nut - Steering Wheel	1	23	93-2120	Steering Control Valve	1
7	3274-63	Screw - HSBH	2	24	65-6390	Washer - Thrust	1
8	83-0730	Spacer - Lockup	1	25	3290-277	Nut - Speed	6
9	93-2199	Screw - HH	1	26	93-8063	Decal - Warning	1
10	325-4	Screw - HH	2	27	68-5140	Cap - Steering Wheel	1
11	3256-26	Washer - Flat	2	28	32144-21	Screw - PPH	2
12	47-2890	Bushing	2	29	237-79	O-Ring	4
13	3274-39	Screw - HSBH	6	30	93-2272	Hose Assembly	1
14	94-3461	Steering Cover	1	31	93-2252	Hose Assembly	1
15	83-1420	Steering Column Assembly	1	32	93-2269	Hose Assembly	1
16	83-0810	Cover - Steering Valve	1	33	93-2270	Hose Assembly	1
17	340-133	Fitting - Hydraulic (Incl. Ref. #29-30)	2	34	93-2271	Hose Assembly	1
				35	237-21	O-Ring	2
				36	237-42	O-Ring	1



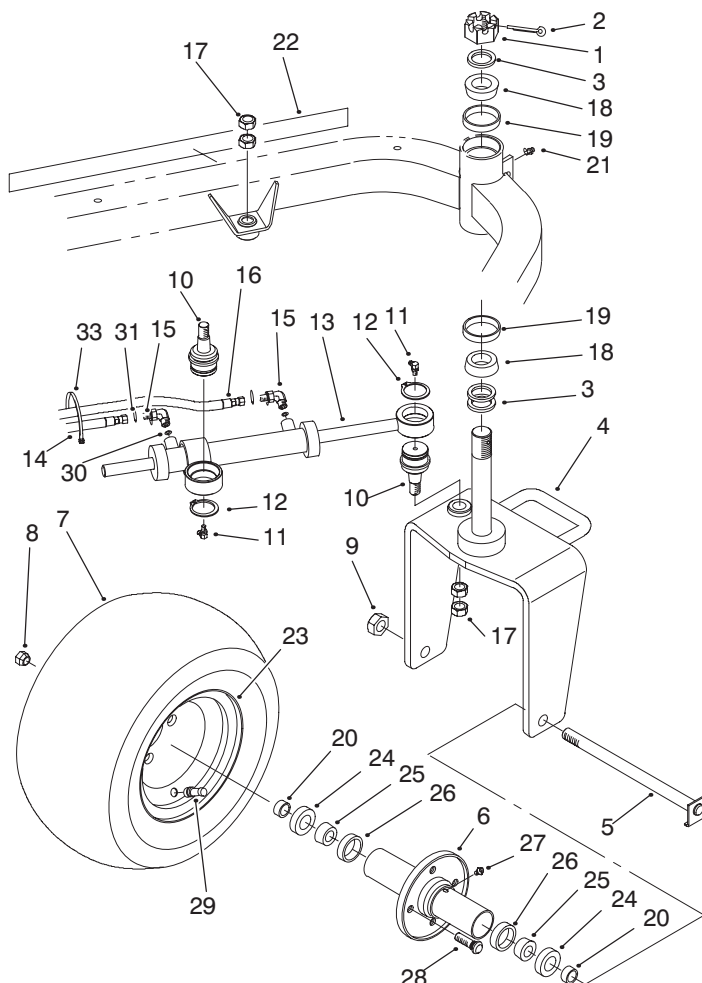
T-2362

STEERING CONTROL VALVE NO. 93-2120

Ref. No.	Part No.	Description	No. Used
†1		Ring – Dust Seal	1
†2		O-Ring	1
†3		O-Ring	1
†4		O-Ring	2

Ref. No.	Part No.	Description	No. Used
†5		Washer	7
*	94-4929	Kit – Seal (Incl. Ref. #1-5)	1

†Not Serviced Separately

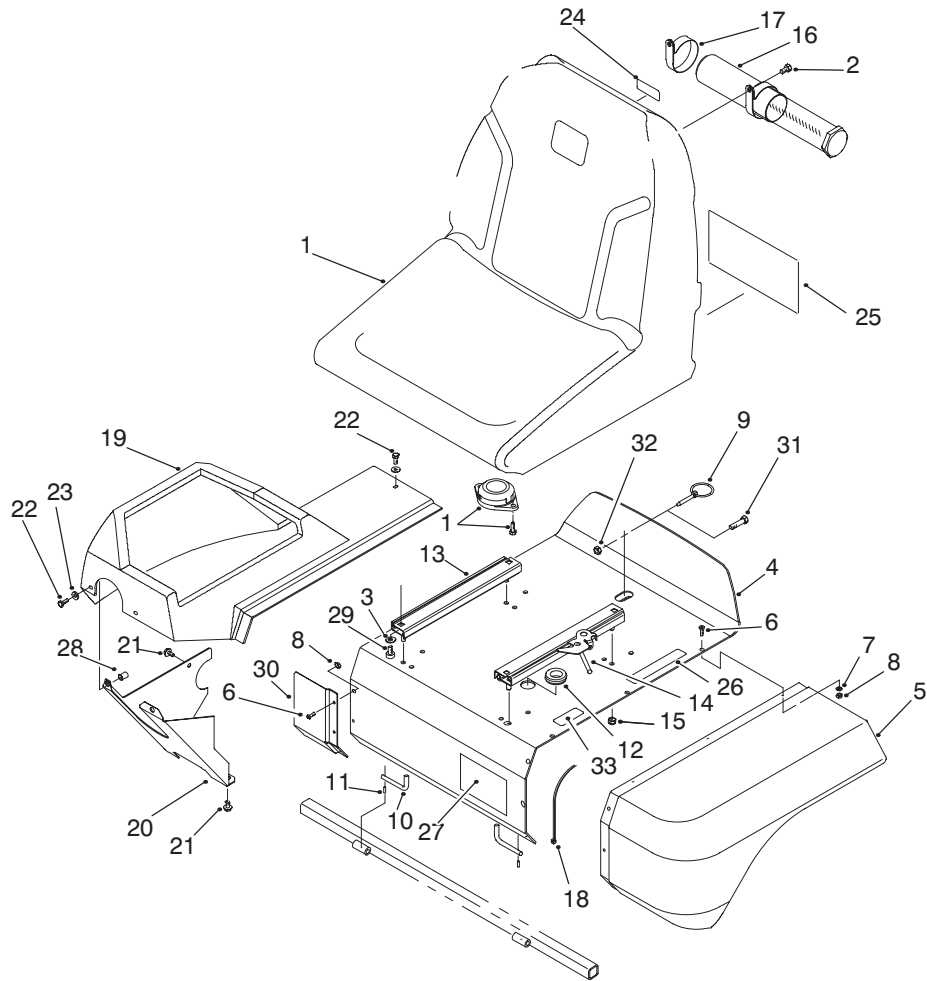


T-2225

REAR WHEEL ASSEMBLY

Ref. No.	Part No.	Description	No. Used	Ref. No.	Part No.	Description	No. Used
1	32136-9	Nut - Hex	1	17	3220-6	Nut - Jam	4
2	3272-37	Pin - Cotter	1	18	254-70	Bearing Cone	2
3	18-6320	Washer - Steering	3	19	254-61	Bearing - Cup	2
4	93-2125	Castor Fork	1	20	74-3730	Spacer - Cylinder	2
5	5-3934	Bolt	1	21	302-5	Fitting - Grease, Str.	1
6	75-9440	Hub - Wheel	1	22	93-2233	Decal -GR3200	2
7	28-3680	Tire	1	23	217-60	Rim	1
8	242-50	Nut - Lug	4	24	253-111	Seal - Shaft	2
9	3296-67	Nut - Lock NI	1	25	254-78	Cone - Bearing	2
10	92-5838	Ball Joint	2	26	254-79	Cup - Bearing	2
11	302-60	Fitting - Grease, 90°	2	27	302-55	Fitting - Grease	1
12	32151-104	Ring - Retaining, Ext.	2	28	10-6830	Stud - Drive	4
13	93-2122	Cylinder Asm - Steering (Incl. Ref. #32)	1	29	232-27	Valve Stem w/Cap	1
14	93-2270	Hose Assembly	1	30	237-78	O-Ring	2
15	340-132	Fitting - Hydraulic	2	31	237-21	O-Ring	2
16	93-2269	Hose Assembly	1	*32	94-4398	Kit - Seal, Repair	1
				33	3290-378	Tie - Cable	1

*Not Illustrated



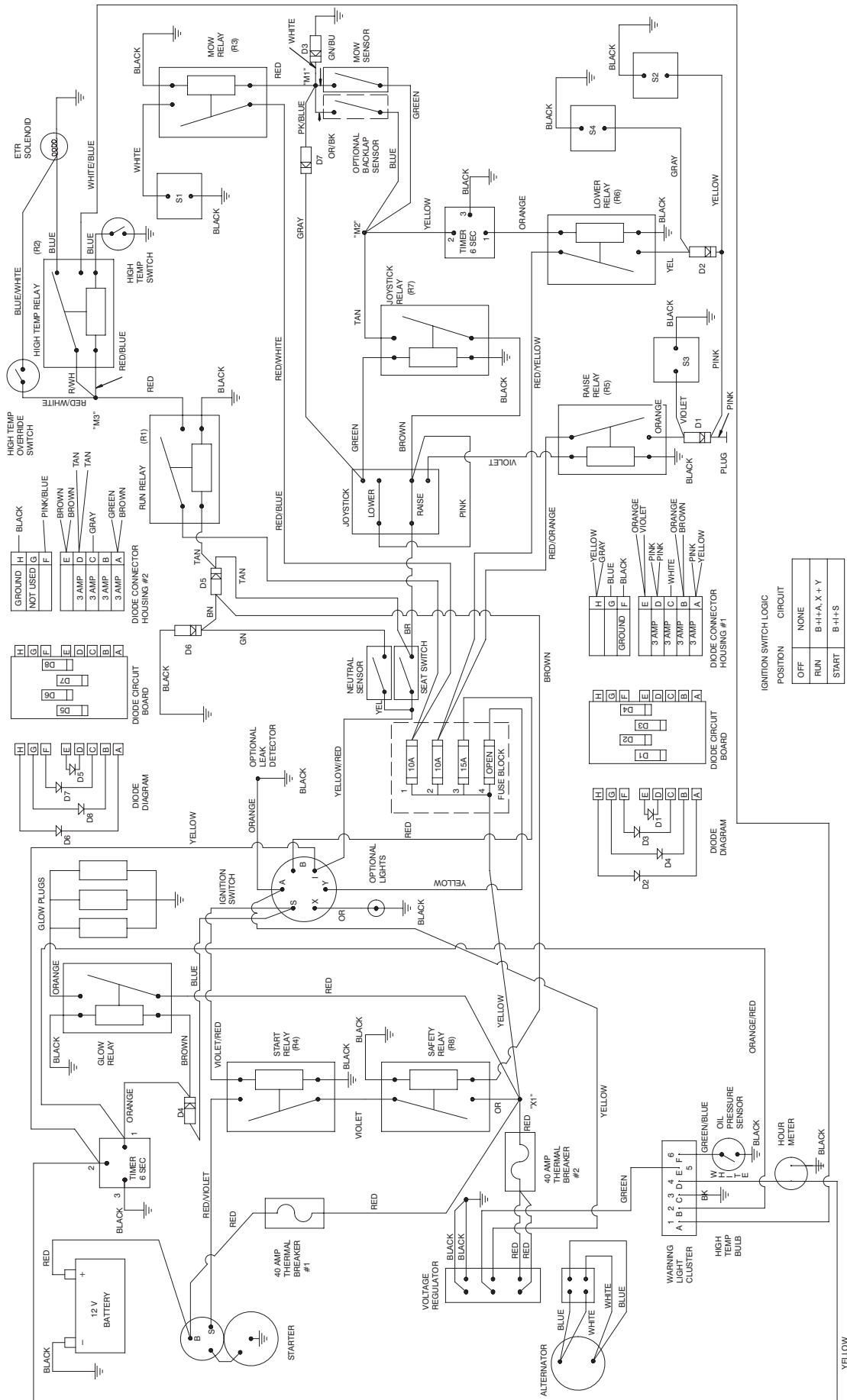
T-2226B

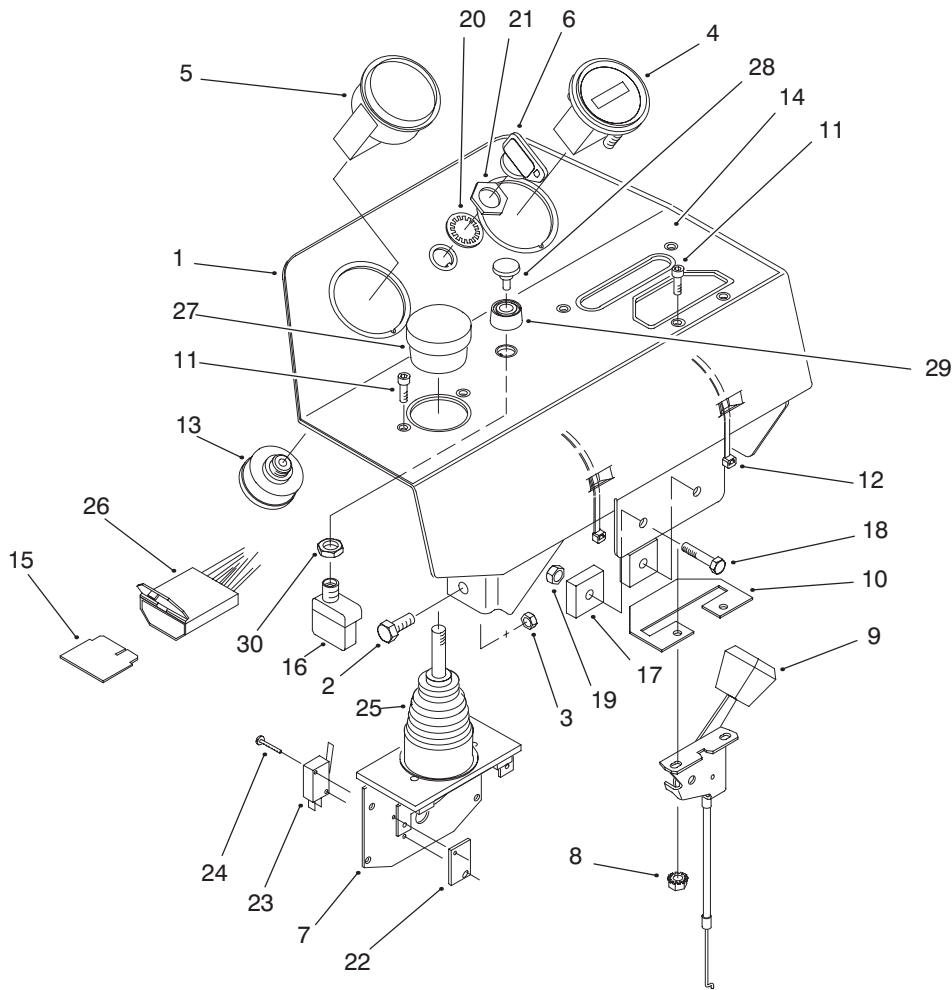
SEAT ASSEMBLY

Ref. No.	Part No.	Description	No. Used
1	92-6280	Seat	1
2	322-2	Screw - HH	2
3	3256-23	Washer - Flat	4
4	93-2135	Support - Seat	1
5	93-2128	Panel - Seat Base	1
6	3274-39	Screw - HSBH	9
7	3256-77	Washer - Flat	6
8	3296-12	Nut - Lock	9
9	283-72	Pin - Lynch	1
10	93-2422	Rod - Seat Pivot	2
11	32121-7	Pin - Spring	2
12	237-100	Grommet	1
13	92-8990	Adjuster - Seat	1
14	92-8991	Adjuster w/Latch	1
15	3296-29	Nut - Lock	4
16	74-0720	Tube - Manual	1
17	2412-133	Clamp - R	2
18	3290-378	Tie - Cable	1
19	93-2578	Shroud - Console	1
20	94-4547	Panel - Lower	1
21	32144-14	Screw - HH	2
22	33113-016	Screw - HH	3
23	3256-1	Washer - Flat	3

Ref. No.	Part No.	Description	No. Used
24	93-6686	Decal - Hydraulic Oil	1
25	94-1351	Decal - Service	1
25	94-4561	Decal - Service (Danish)	1
25	94-4562	Decal - Service (Dutch)	1
25	94-4563	Decal - Service (Finnish)	1
25	94-4564	Decal - Service (French)	1
25	94-4565	Decal - Service (German)	1
25	94-4566	Decal - Service (Italian)	1
25	94-4567	Decal - Service (Japanese)	1
25	94-4568	Decal - Service (Norwegian)	1
25	94-4569	Decal - Service (Portuguese)	1
25	94-4570	Decal - Service (Spanish)	1
25	94-4571	Decal - Service (Swedish)	1
26	93-6689	Decal - No Rider	1
27	94-2579	Decal - Toro	1
28	93-5447	Insert - Threaded	2
29	3274-12	Screw - HSH	4
30	94-4546	Panel - Extension	1
31	33113-030	Screw - HH (Europe)	1
32	33023-00	Nut - Lock NI (Europe)	1
33	93-7252	Decal - CE Mark	1

ELECTRICAL SCHEMATIC



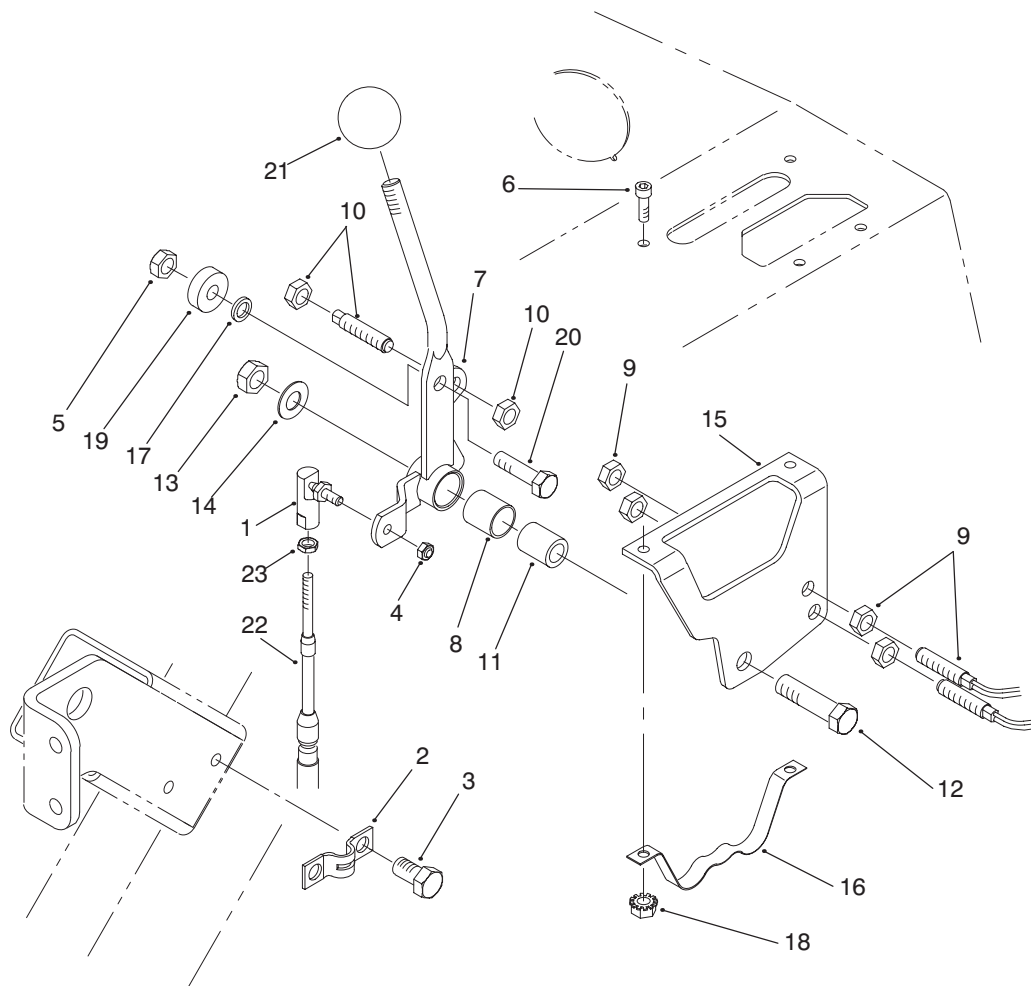


T-2292

CONTROL PANEL ASSEMBLY

Ref. No.	Part No.	Description	No. Used
1	94-6953	Console	1
2	33114-020	Screw - HH	4
3	33024-00	Nut - Lock NI	4
4	66-2950	Gauge - Hour Meter	1
5	92-9775	Warning Light Cluster	1
6	63-8360	Key - Ignition	2
7	75-3420	Lever - Control	1
8	32149-8	Nut - Keps	2
9	93-2322	Control - Throttle	1
10	85-9190	Plate - Control	1
11	3273-26	Screw - PPH	4
12	3290-378	Tie - Cable	2
13	27-2360	Switch - Ignition	1
14	94-8077	Decal - Console	1
15	92-3188	Diode - Circuit Board	1
16	72-9760	Switch - Override (Incl. Ref. #30)	1

Ref. No.	Part No.	Description	No. Used
17	92-2538	Timer - Glow Plug	2
18	33113-030	Screw - HH	2
19	33023-00	Nut - Lock NI	2
20	218-446	Washer - Lock	1
21	218-447	Nut - Hex.	1
22	3290-354	Plate - Nut	2
23	218-590	Switch - Micro	2
24	3290-93	Screw - HH	4
25	3290-488	Boot - Control, Lift	1
26	93-2340	Harness - Wire	1
27	3290-489	Knob - Control, Lift	1
28	43-6280	Button - Push	1
29	43-6420	Bezel	1
30	218-498	Nut - Hex.	1



T-2265

TRACTION HANDLE ASSEMBLY

Ref. No.	Part No.	Description	No. Used
1	2411-38	Ball Joint	1
2	93-2279	Clamp - Cable	1
3	33113-008	Screw - HH	2
4	3296-27	Nut - Lock	1
5	33024-00	Nut - Lock NI	1
6	3273-26	Screw - HSH	2
7	94-1353	Handle	1
8	256-311	Bushing - Straight	1
9	93-2055	Reed Switch - Sensor	2
10	93-2056	Reed Switch - Actuator	1
11	94-1378	Tube - Handle Pivot	1
12	33115-040	Screw - HH	1

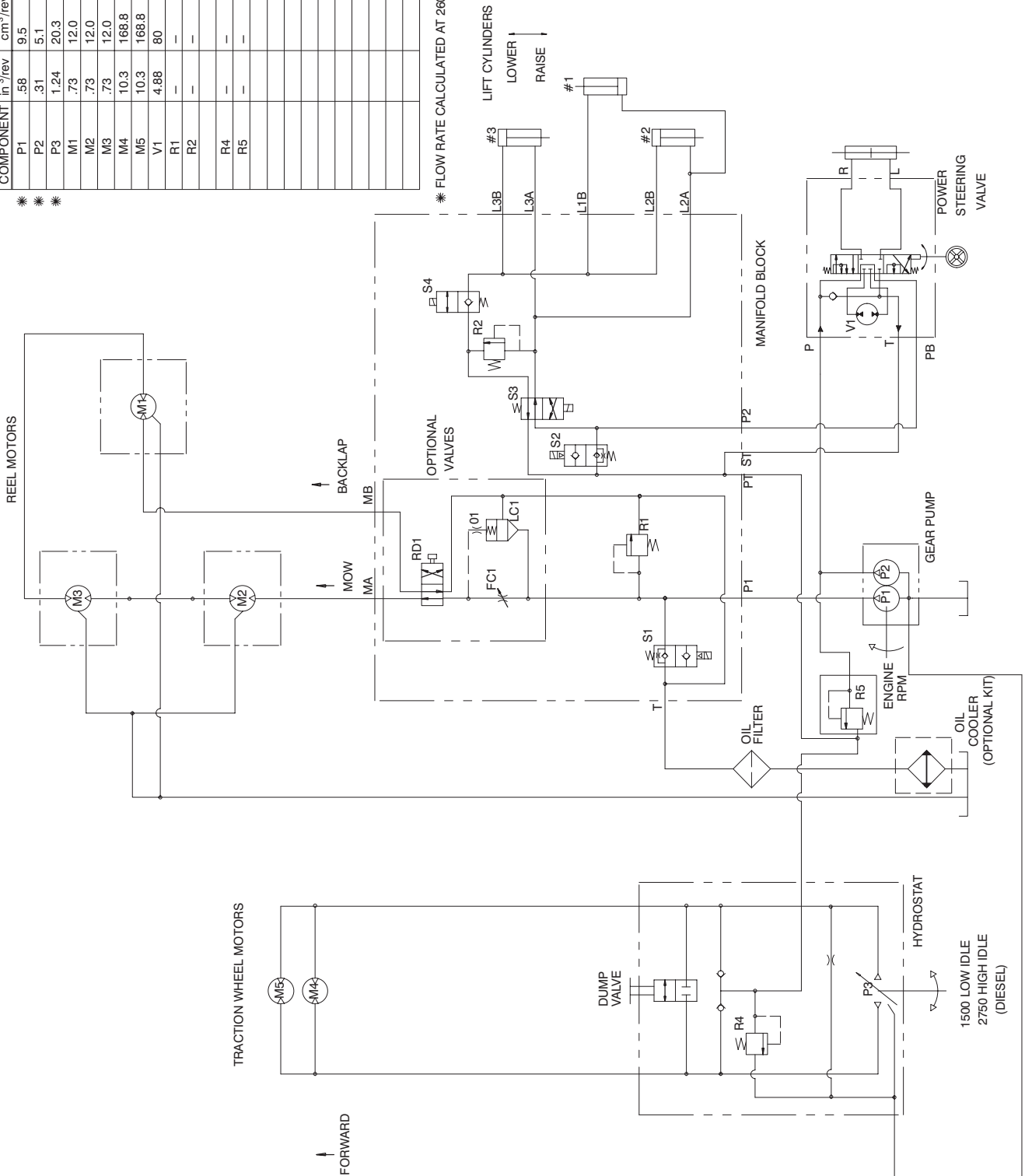
Ref. No.	Part No.	Description	No. Used
13	33025-00	Nut - Lock NI	1
14	3256-24	Washer - Flat	1
15	93-2058	Bracket - Traction	1
16	93-2064	Spring - Detent	1
17	75-5470	Spacer	1
18	32149-8	Nut - Keps	2
19	251-259	Bearing - Ball	1
20	33114-030	Screw - HH	1
21	233-42	Knob	1
22	94-1304	Cable - Neutral Lock (Incl. Ref. #23)	1
23	3219-14	Nut - Jam	1

HYDRAULIC SCHEMATIC

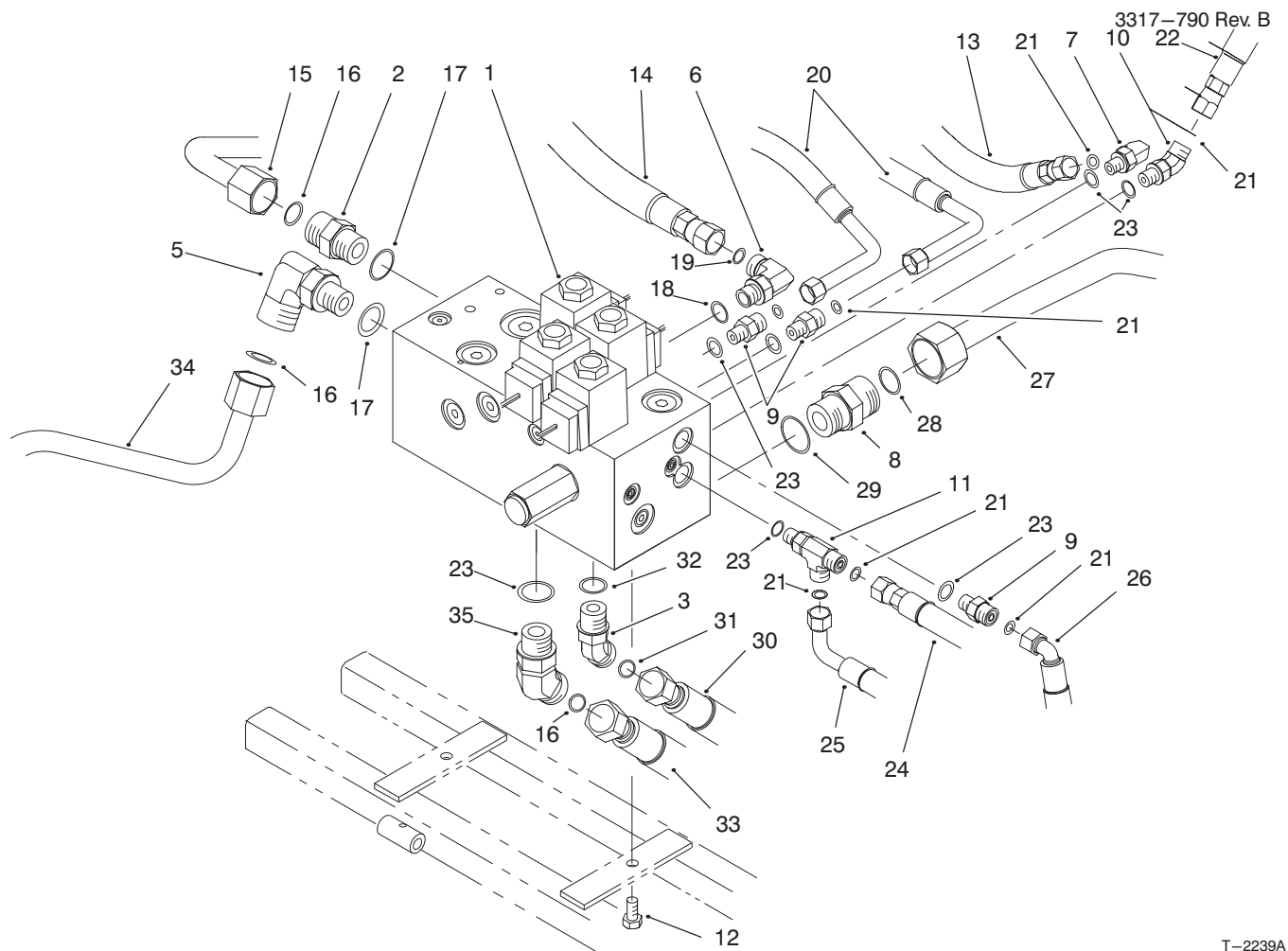
DISPLACEMENT, FLOW RATE, AND PRESSURE CHART				
COMPONENT	DISPLACEMENT		FLOW RATE	
	in ³ /rev	cm ³ /rev	GPM	LPM
P1	.58	9.5	—	—
P2	.31	5.1	—	—
P3	1.24	20.3	—	—
M1	.73	12.0	—	—
M2	.73	12.0	—	—
M3	.73	12.0	—	—
M4	10.3	168.8	—	—
M5	10.3	168.8	—	—
V1	4.88	80	—	—
R1	—	—	2400	166
R2	—	—	150	10
R4	—	—	100	7
R5	—	—	1000	69

* * *

* FLOW RATE CALCULATED AT 2600 RPM AND 98% EFFICIENCY



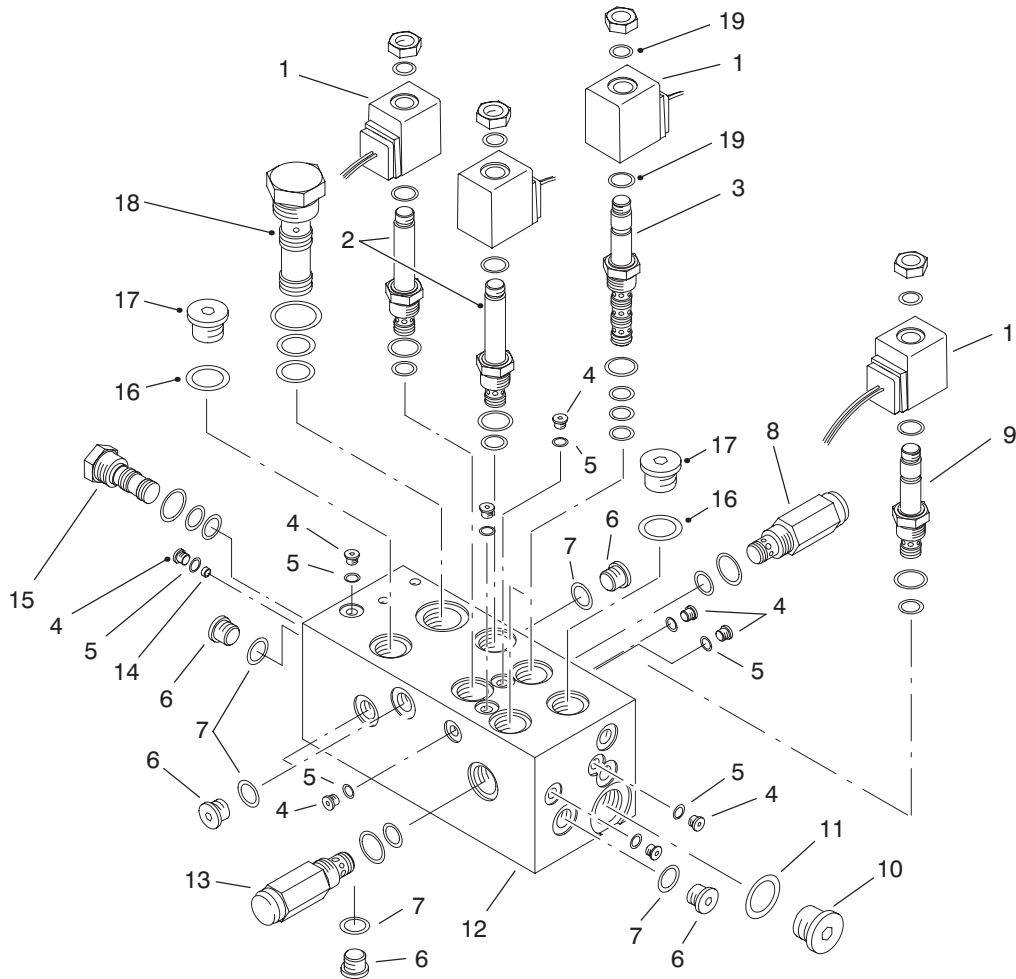
T-2276A



T-2239A

MANIFOLD INSTALLATION ASSEMBLY

Ref. No.	Part No.	Description	No. Used	Ref. No.	Part No.	Description	No. Used
1	93-2240	Manifold Assembly	1	15	94-1317	Tube - Hydraulic	1
2	340-7	Fitting - Hydraulic (Incl. Ref. #16-17)	1	16	237-65	O-Ring	3
3	340-138	Fitting - Hydraulic 45° (Incl. Ref. #31-32)	1	17	237-80	O-Ring	2
5	340-17	Fitting - Hydraulic 90° (Incl. Ref. #16-17)	1	18	237-42	O-Ring	1
6	340-77	Fitting - Hydraulic 90° (Incl. Ref. #18-19)	1	19	237-22	O-Ring	1
7	340-132	Fitting - Hydraulic 90° (Incl. Ref. #21 & 23)	1	20	93-2254	Hose Assembly	2
8	340-9	Fitting - Hydraulic (Incl. Ref. #28-29)	1	21	237-21	O-Ring	7
9	340-92	Fitting - Hydraulic (Incl. Ref. #21 & 23)	3	22	94-3477	Hose Assembly	1
10	340-103	Fitting - Hydraulic 45° (Incl. Ref. #21 & 23)	1	23	237-78	O-Ring	7
11	340-140	Tee - Hydraulic (Incl. Ref. #21 & 23)	1	24	93-2258	Hose Assembly	1
12	33114-016	Screw - HH	2	25	93-2256	Hose Assembly	1
13	93-2271	Hose Assembly	1	26	93-2255	Hose Assembly	1
14	93-2272	Hose Assembly	1	27	94-4518	Tube - Hydraulic	1
				28	237-58	O-Ring	1
				29	237-81	O-Ring	1
				30	94-6383	Hose Assembly	1
				31	237-30	O-Ring	1
				32	237-79	O-Ring	1
				33	94-1332	Hose Assembly	1
				34	94-1320	Tube - Hydraulic	1
				35	340-14	Fitting - Hydraulic (Incl. Ref. #16 & 23)	1



T-2251

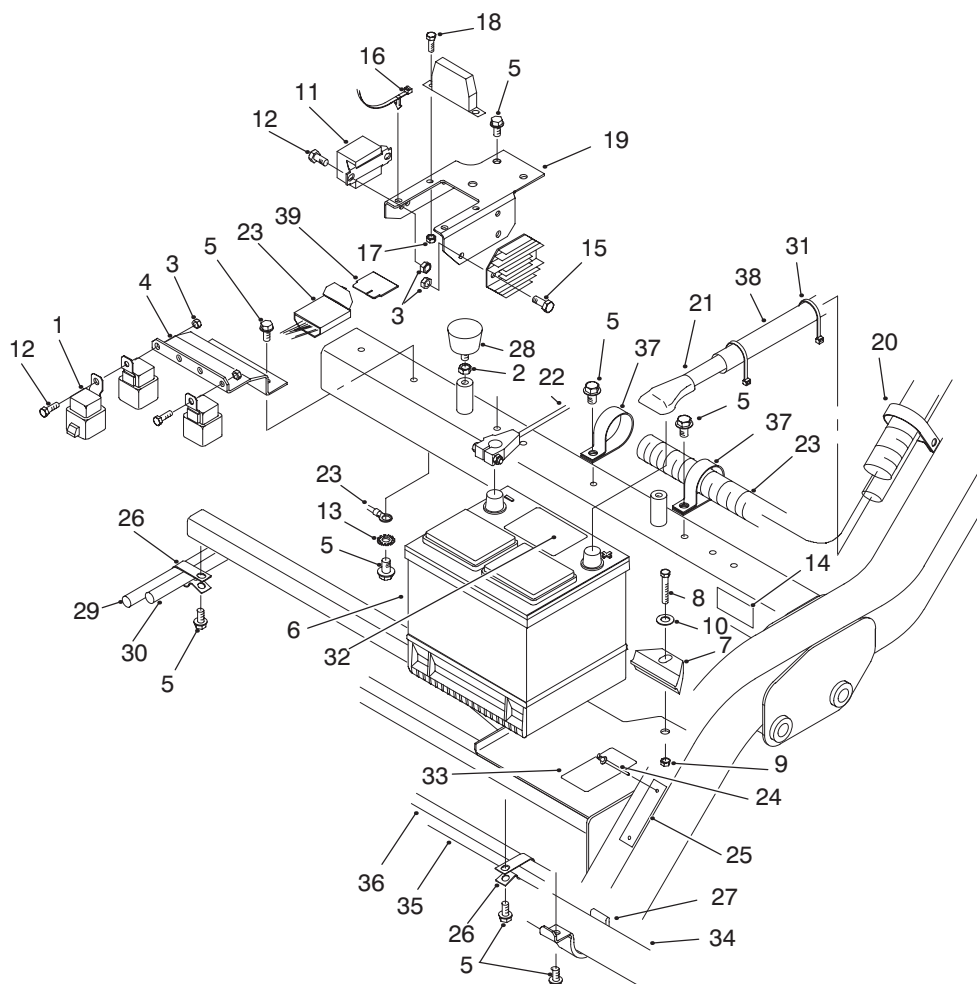
MANIFOLD ASSEMBLY NO. 93-2240

Ref. No.	Part No.	Description	No. Used
1	88-9190	Solenoid - 20 Watt	4
2	93-7494	Cartridge - N.O. Poppet (Use Seal Kit #75-2080)	2
3	94-2627	Cartridge (Use Seal Kit #75-2090)	1
4	353-991	Plug (Incl. Ref. #5)	9
5	237-156	O-Ring	9
6	353-989	Plug (Incl. Ref. #7)	6
7	237-42	O-Ring	6
8	75-2010	Cartridge - Relief 2000 psi (Use Seal Kit #75-2080)	1
9	92-6315	Cartridge - N.C. (Use Seal Kit #75-2080)	1
10	353-988	Plug (Incl. Ref. #11)	1
11	237-79	O-Ring	1

Ref. No.	Part No.	Description	No. Used
†12		Body - Manifold	1
13	94-6351	Cartridge - Relief 150 psi (Use Seal Kit #75-2080)	1
14	94-6354	Plug - Orifice	1
15	94-6353	Cartridge Valve Assembly (Use Seal Kit #69-4240)	1
16	237-80	O-Ring	2
17	354-70	Plug (Incl. Ref. #16)	2
18	94-6352	Plug - Cavity (Use Seal Kit #94-3661)	1
19	94-5438	Seal - Solenoid	8
*	75-2080	Seal Kit	5
*	69-4240	Seal Kit	1
*	75-2090	Seal Kit	1
*	94-3661	Seal Kit	1

*Not Illustrated

†Not serviced separately

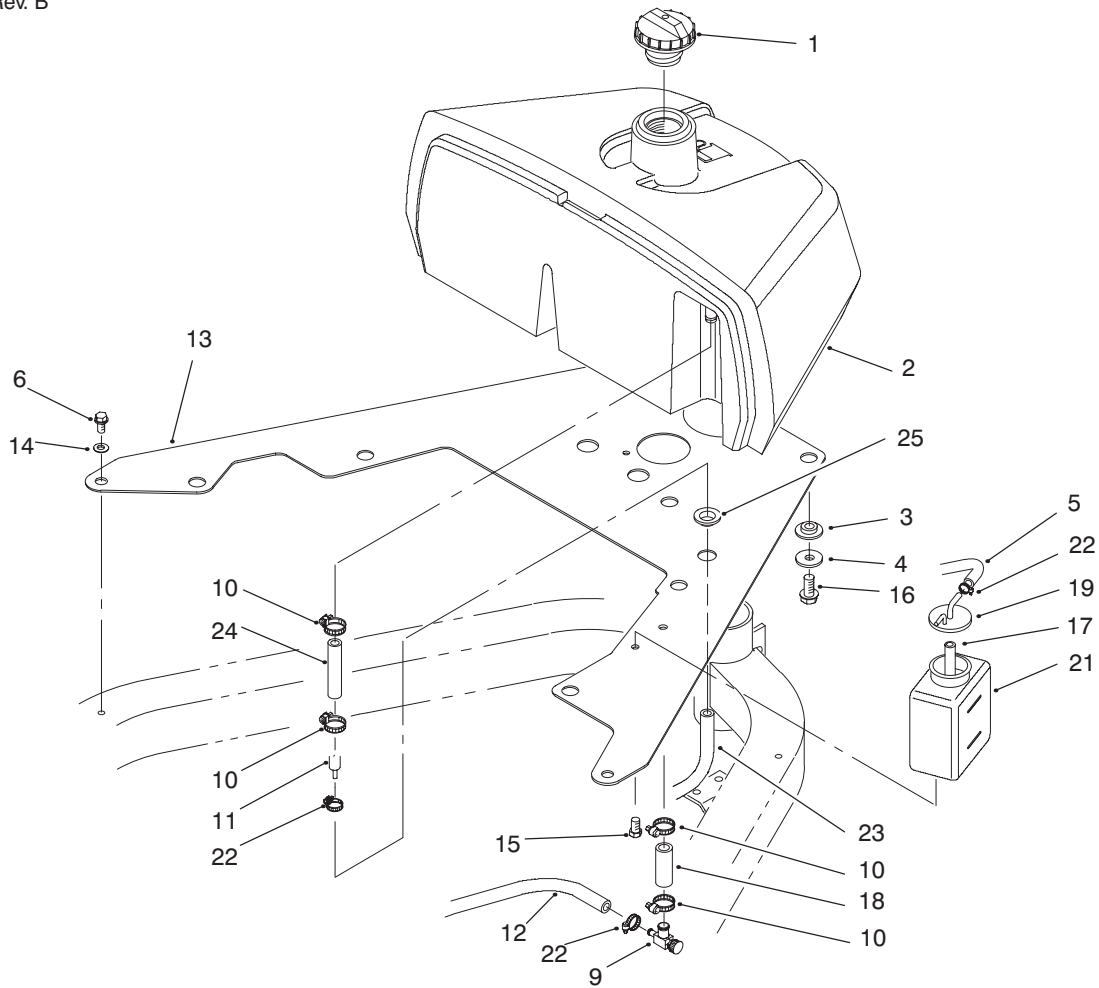


T-2275A

ELECTRONICS INSTALLATION ASSEMBLY

Ref. No.	Part No.	Description	No. Used	Ref. No.	Part No.	Description	No. Used
1	70-1480	Relay	8	21	93-2343	Cable - Battery Positive	1
2	3218-2	Nut - Hex Jam	2	22	93-2344	Cable - Battery Negative	1
3	33023-00	Nut - Lock	8	23	93-2340	Wire Harness	1
4	93-2169	Bracket - Relay	1	24	3290-415	Rivet - Pop	2
5	32144-14	Screw - HH	13	†25		Serial Plate	1
6	66-2750	Battery	1	26	92-5753	Clamp - Hose Double	2
7	66-2490	Retainer - Battery	1	27	93-2036	Clamp - Air Hose	1
8	33115-040	Screw - HH	1	28	68-3270	Bumper	2
9	33025-00	Nut - Lock	1	29	93-2270	Hose Assembly	1
10	3256-24	Washer - Flat	1	30	93-2269	Hose Assembly	1
11	66-8800	Relay - Glow Plug	1	31	3290-378	Tie - Cable	2
12	33113-016	Screw - HH	6	32	93-7276	Decal - Danger	1
13	3254-2	Washer - Lock	1	33	93-6668	Decal - Battery	1
14	88-1270	Decal - Safety	1	34	93-2035	Hose - Air Cleaner	1
15	33113-030	Screw - HH	2	35	93-2256	Hose Assembly	1
16	94-1325	Push Mount Tie	2	36	93-2255	Hose Assembly	1
17	3296-2	Nut - Lock	2	37	2412-39	Clamp - R	2
18	32105-13	Screw - HH	2	38	94-4519	Tube - Convoluted	1
19	93-2123	Bracket - Fuse Block	1	39	92-3188	Diode - Circuit Board	1
20	2412-104	Clamp - R	3				

†Not serviced

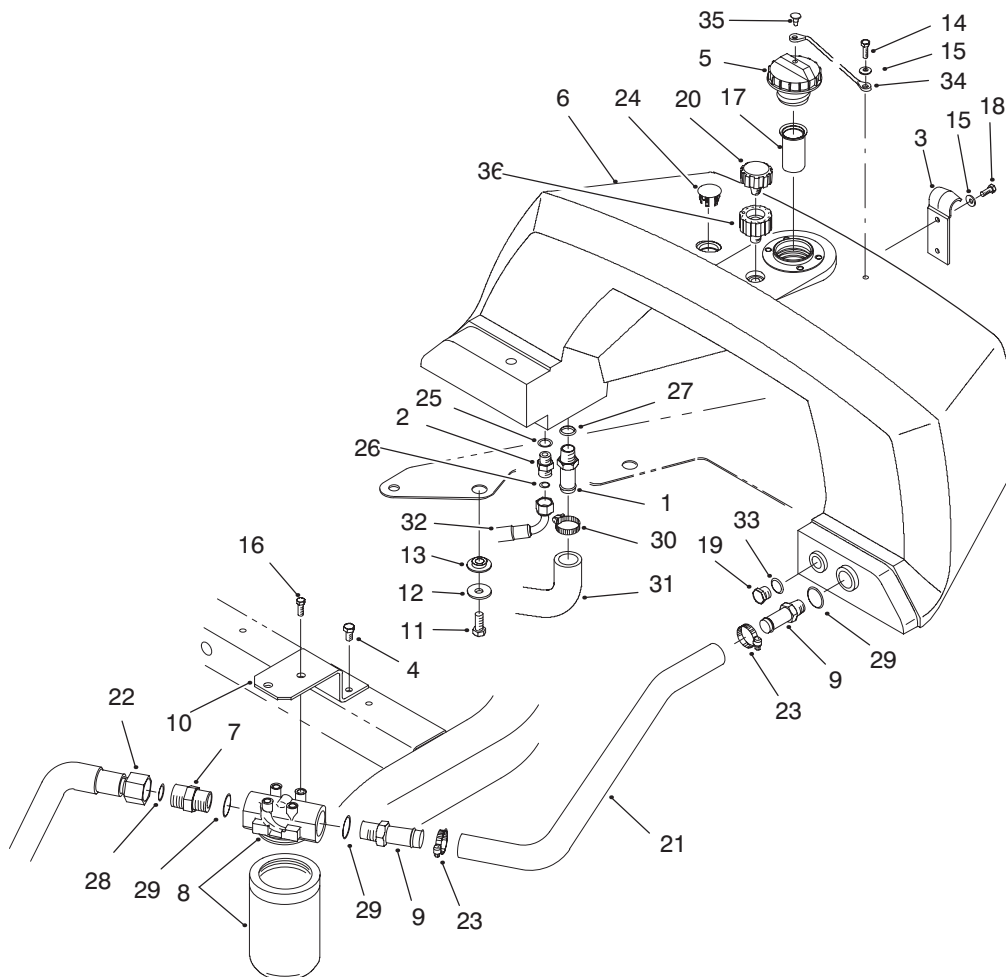


T-2271

FUEL TANK ASSEMBLY

Ref. No.	Part No.	Description	No. Used
1	93-3102	Fuel Cap – Diesel	1
2	93-2225	Tank – Fuel	1
3	240-11	Grommet	3
4	63-8410	Washer – Flat	3
5	93-2260	Hose – Expansion Tank	1
6	32144-14	Screw – HH	3
9	56-2520	Fitting – Fuel Shut Off	1
10	2412-36	Clamp – Hose	4
11	93-2299	Fitting – Fuel	1
12	93-2230	Hose – Fuel	1
13	94-1364	Plate	1

Ref. No.	Part No.	Description	No. Used
14	3256-23	Washer – Flat	2
15	33114-016	Screw – HH	2
16	33115-025	Screw – HH	3
17	94-1348	Hose – Tank	1
18	94-4353	Hose – Fuel	1
19	93-2048	Cap – Overflow Tank	1
21	93-2049	Tank – Overflow	1
22	2412-108	Clamp – Hose	3
23	93-2298	Hose – Fuel	1
24	56-2230	Hose – Fuel	1
25	237-124	Grommet	1



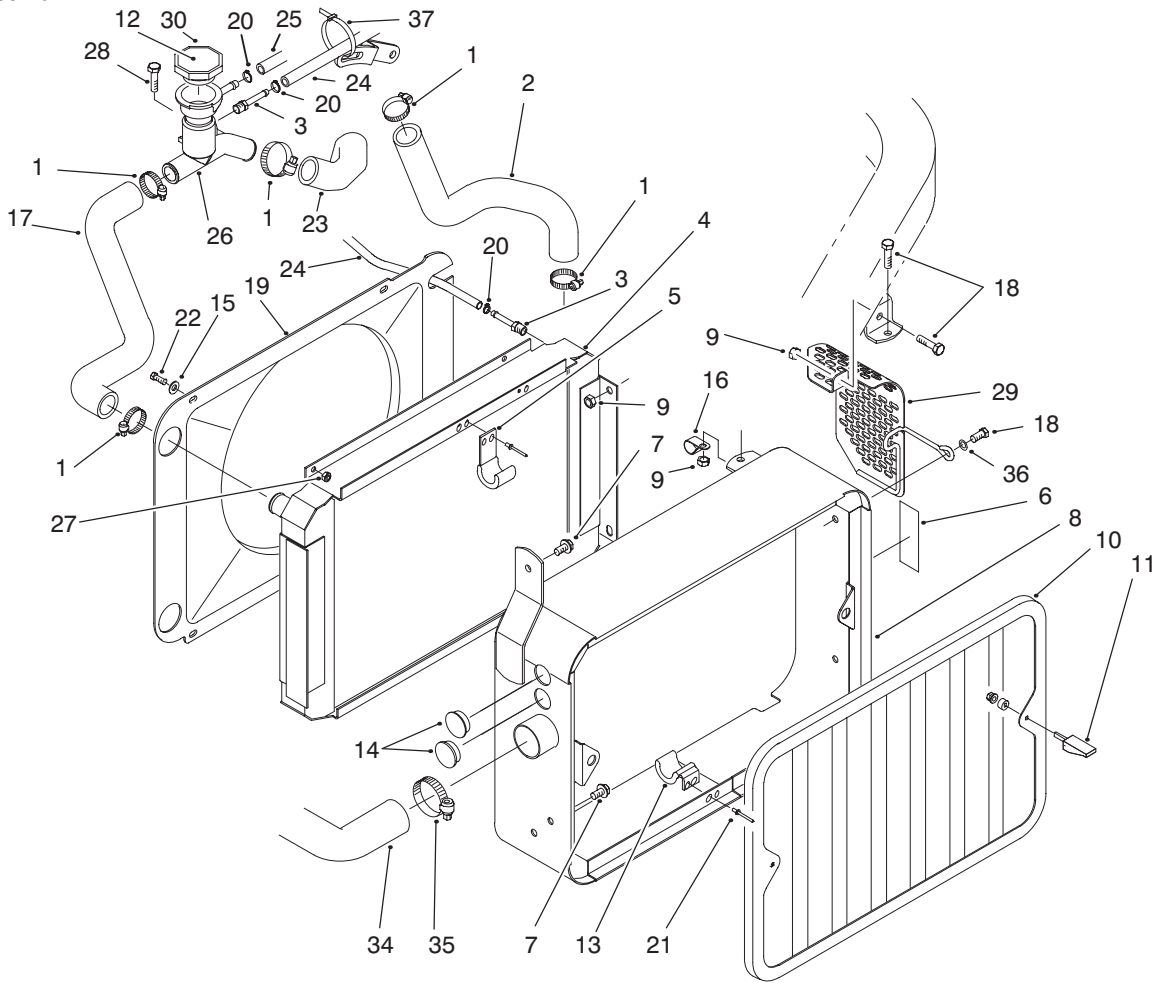
T-2272A

HYDRAULIC RESERVOIR ASSEMBLY

Ref. No.	Part No.	Description	No. Used
1	354-78	Fitting - Hydraulic (Incl. Ref. 27)	1
2	340-2	Fitting - Hydraulic (Incl. Ref. 25 & 26)	1
3	93-2438	Clamp - Fuel Tank	1
4	32144-14	Screw - HH	2
5	93-7160	Cap - Hydraulic Oil (Incl. Ref. #34-35)	1
6	93-2235	Tank - Hydraulic	1
7	340-9	Fitting - Hydraulic (Incl. Ref. 28 & 29)	1
8	93-2242	Filter Assembly - Oil	1
9	354-73	Fitting - Hydraulic, Barb (Incl. Ref. #29)	2
10	93-2236	Mount - Oil Filter	1
11	33115-025	Screw - HH	4
12	63-8410	Washer - Flat	4
13	240-11	Grommet	4
14	33113-016	Screw - HH	1
15	3256-1	Washer - Flat	3
16	33115-020	Screw - HH	2

Ref. No.	Part No.	Description	No. Used
17	93-2275	Screen - Filler	1
18	33113-016	Screw - HH	2
19	353-988	Plug (Incl. Ref. 33)	1
20	68-6150	Breather - Air	1
21	94-4517	Hose - Formed	1
22	94-4518	Hose - Assembly	1
23	2412-129	Clamp - Hose	2
24	93-2437	Plug - Serrated	1
25	237-42	O-Ring	1
26	237-22	O-Ring	1
27	237-146	O-Ring	1
28	237-58	O-Ring	1
29	237-81	O-Ring	3
30	2412-34	Clamp - Hose	1
31	93-2068	Hose - Pump Inlet	1
32	94-4539	Hose Assembly	1
33	237-79	O-Ring	1
†34		Tether	1
†35		Plug	1
36	92-8020	Adapter - Breather	1

†Not serviced serarately

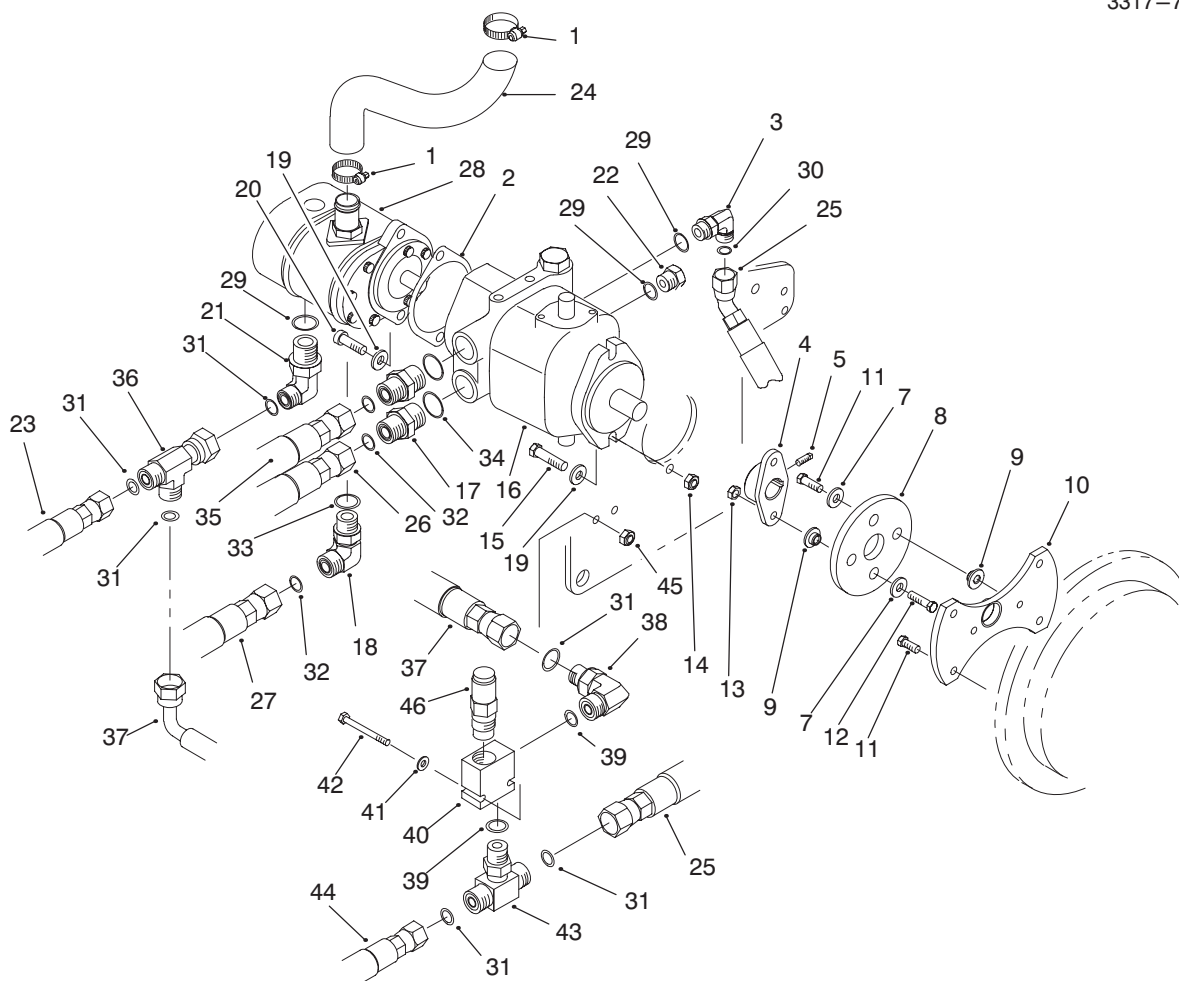


T-2274A

RADIATOR ASSEMBLY

Ref. No.	Part No.	Description	No. Used
1	2412-34	Clamp - Hose	5
2	93-2031	Hose - Radiator	1
3	93-2071	Fitting - Hydraulic Barb	2
4	93-2300	Radiator	1
5	93-2425	Bracket - Cooler Upper	2
6	93-6681	Decal - Warning	1
7	32144-14	Screw - HH	2
8	93-2310	Radiator Support	1
9	33024-00	Nut - Lock	6
10	93-2050	Screen	1
11	74-5950	Latch - Swell	2
12	93-7840	Decal - Radiator Cap	1
13	93-2424	Bracket - Cooler Lower	2
14	94-4528	Plug	2
15	3256-22	Washer - Flat	4
16	2412-41	Clamp - R	1
17	93-2018	Hose - Radiator	1

Ref. No.	Part No.	Description	No. Used
18	33114-020	Screw - HH	6
19	93-2320	Shroud - Fan	1
20	2412-108	Clamp - Hose	3
21	3269-15	Rivet - Pop	8
22	33113-016	Screw - HH	4
23	93-2016	Hose - Radiator	1
24	94-1349	Hose - Breather	1
25	93-2260	Hose - Expansion Tank	1
26	94-3473	Elbow Assembly - Radiator	1
27	33023-00	Nut - Lock	4
28	33114-016	Screw - HH	2
29	94-3480	Guard - Alternator	1
30	66-3240	Cap - Radiator	1
34	93-2035	Hose - Air Cleaner	1
35	2412-92	Clamp - Hose	1
36	3256-23	Washer - Flat	1
37	3290-378	Tie - Cable	1

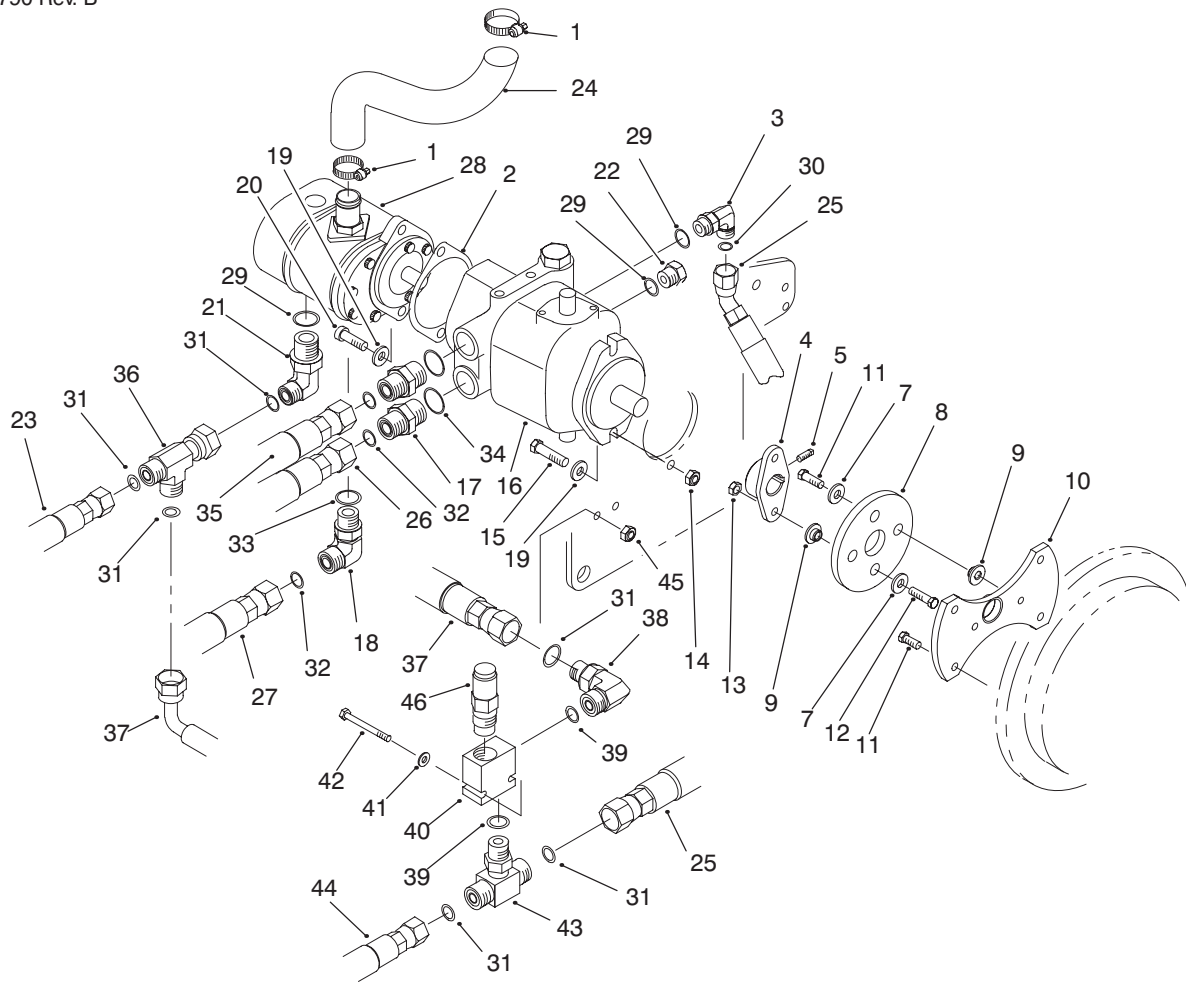


T-2270B

HYDRAULIC PUMP & HYDROSTAT ASSEMBLY

Ref. No.	Part No.	Description	No. Used	Ref. No.	Part No.	Description	No. Used
1	2412-34	Clamp - Hose	2	21	340-18	Fitting - Hydraulic 90° (Incl. Ref. #29 & 31)	1
2	94-6358	Gasket (Serial No. 60001-60473)	1	22	353-988	Plug (Incl. Ref. #29)	1
*	94-8168	O-Ring (Serial No. 60474 & Up)	1	23	93-2252	Hose Assembly	1
3	340-18	Fitting - Hydraulic 90° (Incl. Ref. #29 & 31)	1	24	93-2068	Hose - Pump Inlet (Serial No. 60001-60473)	1
4	93-2589	Hub - Pump	1	*	94-8174	Hose - Pump Inlet (Serial No. 60474 & Up)	1
5	3241-6	Screw - SQH	2	25	94-6384	Hose Assembly	1
7	3256-3	Washer - Flat	4	26	94-5355	Hose Assembly	1
8	80-8650	Coupling - Rubber	1	27	94-1332	Hose Assembly	1
9	27-6600	Spacer - Coupling	4	28	93-2587	Gear Pump - 2 Section (Incl. Ref. #2)	
10	93-2170	Pump Adapter	1			(Serial No. 60001-60473)	1
11	33114-020	Screw - HH	6	*	94-6390	Gear Pump - 2 Section (Serial No. 60474 & Up)	1
12	33114-030	Screw - HH	2	29	237-79	O-Ring	3
13	33024-00	Nut - Lock	2	31	237-22	O-Ring	7
14	33025-00	Nut - Lock	2	32	237-65	O-Ring	3
15	33115-040	Screw - HH	2	33	237-80	O-Ring	1
16	93-2586	Hydrostat	1	34	237-81	O-Ring	2
17	340-8	Fitting - Hydraulic (Incl. Ref. #32 & 34)	2	35	94-5356	Hose Assembly	1
18	340-17	Fitting - Hydraulic 90° (Incl. Ref. #32 & 33)	1	36	340-115	Fitting - Tee	1
19	3256-24	Washer - Flat	4	37	94-8167	Hose Assembly	1
20	3274-1	Screw - HSH	2	38	340-77	Fitting - Hydraulic 90°	1

* Not Illustrated.

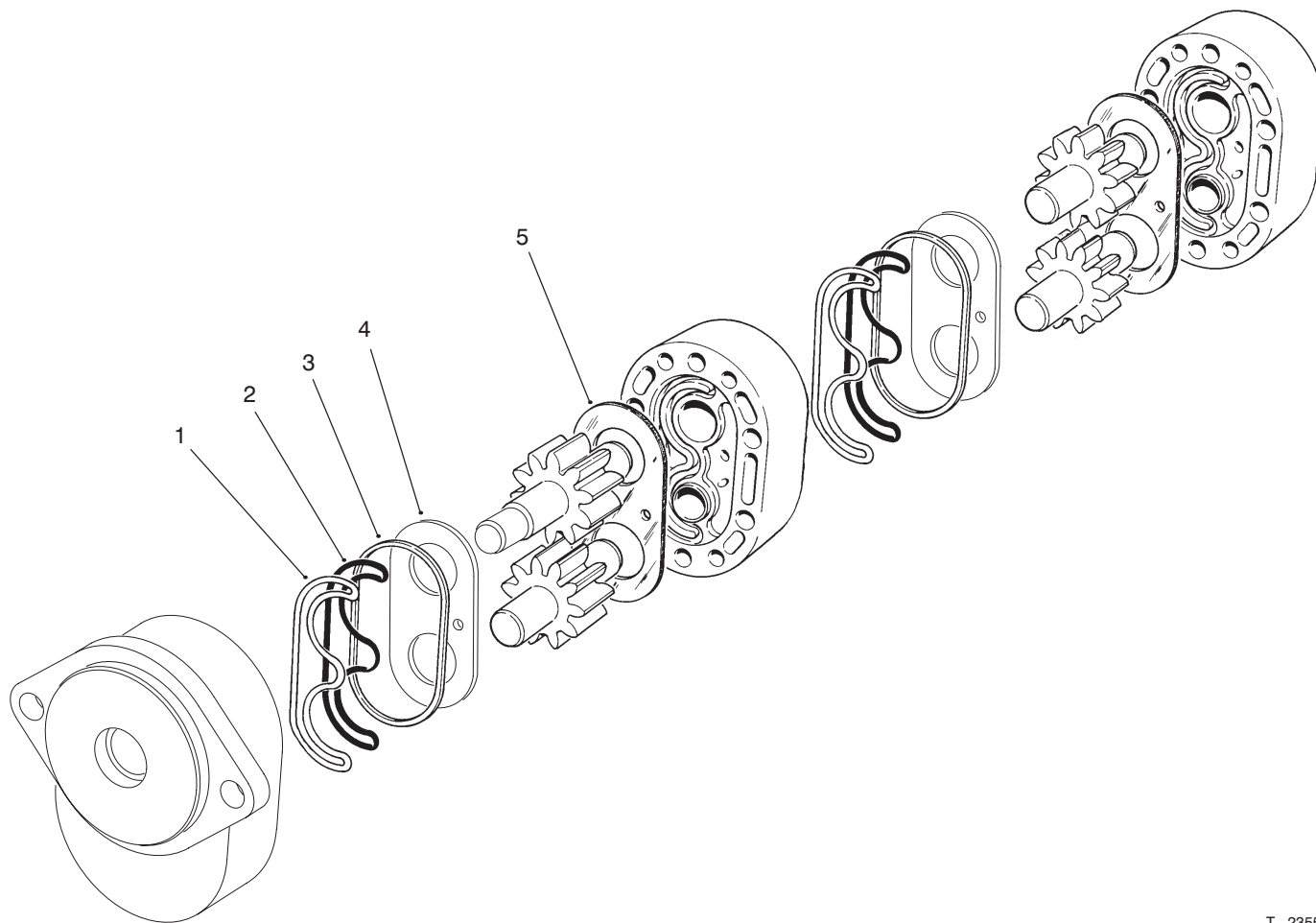


T-2270B

HYDRAULIC PUMP & HYDROSTAT ASSEMBLY

Ref. No.	Part No.	Description	No. Used
39	237-42	O-Ring	2
40	94-6385	Valve - Relief (Incl. Ref. #46)	1
41	3256-22	Washer - Flat	2
42	33113-050	Screw - HH	2

Ref. No.	Part No.	Description	No. Used
43	340-94	Fitting - Tee	1
44	94-6383	Hose Assembly	1
45	33023-00	Nut - Lock	2
46	94-6386	Cartridge - Relief Valve	1



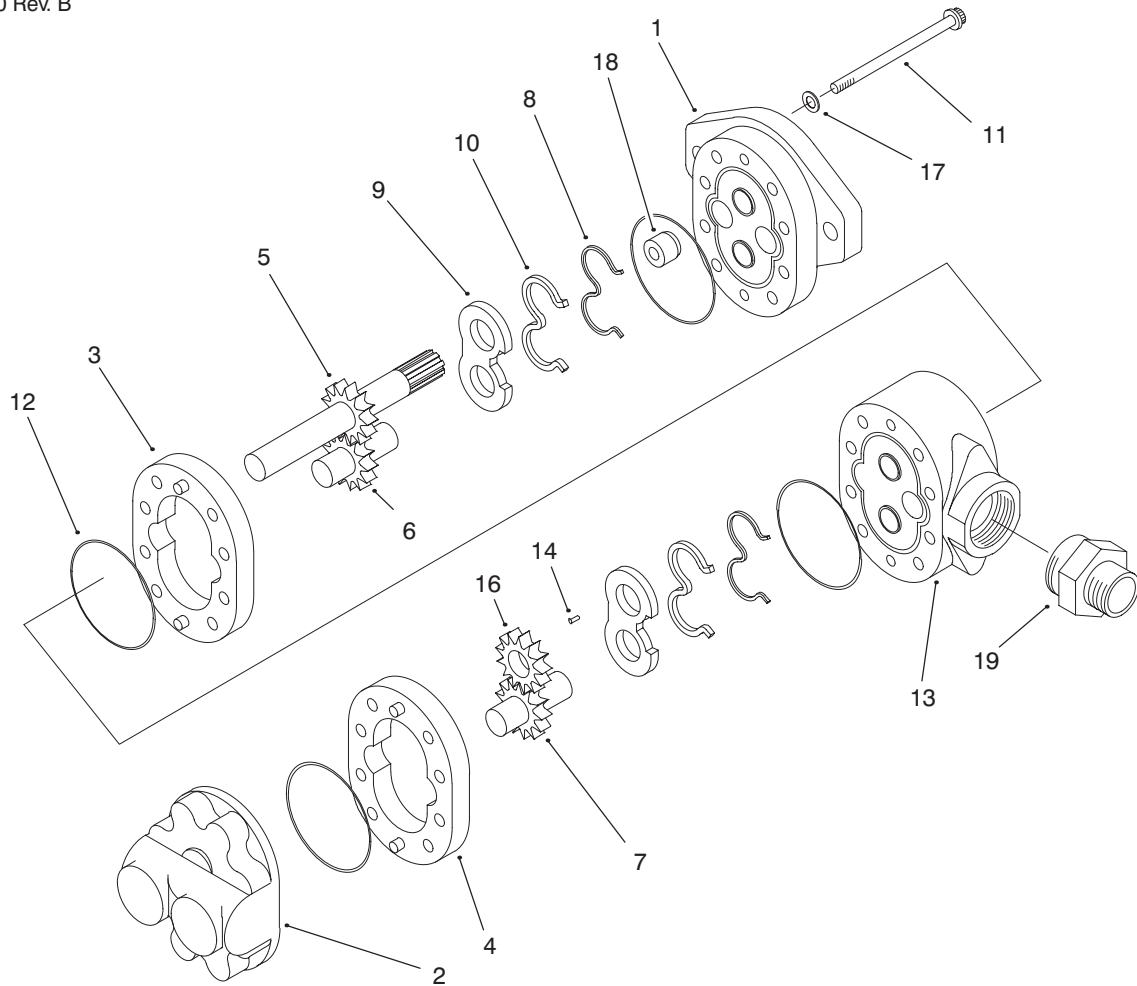
T-2355

GEAR PUMP ASSEMBLY NO. 93-2587 (Serial No. 60001-60473)

Ref. No.	Part No.	Description	No. Used	Ref. No.	Part No.	Description	No. Used
†1	69-2270	Seal - Pre-Load	2	†5	94-4828	Plate - Wear Repair Kit (Incl. Ref. #1-5)	2
†2	69-2260	Seal - Load	2	*			1
†3	69-2350	Ring - Sealing	2				
†4		Plate - Wear	2				

†Not Serviced Separately

*Not Illustrated



T-2392

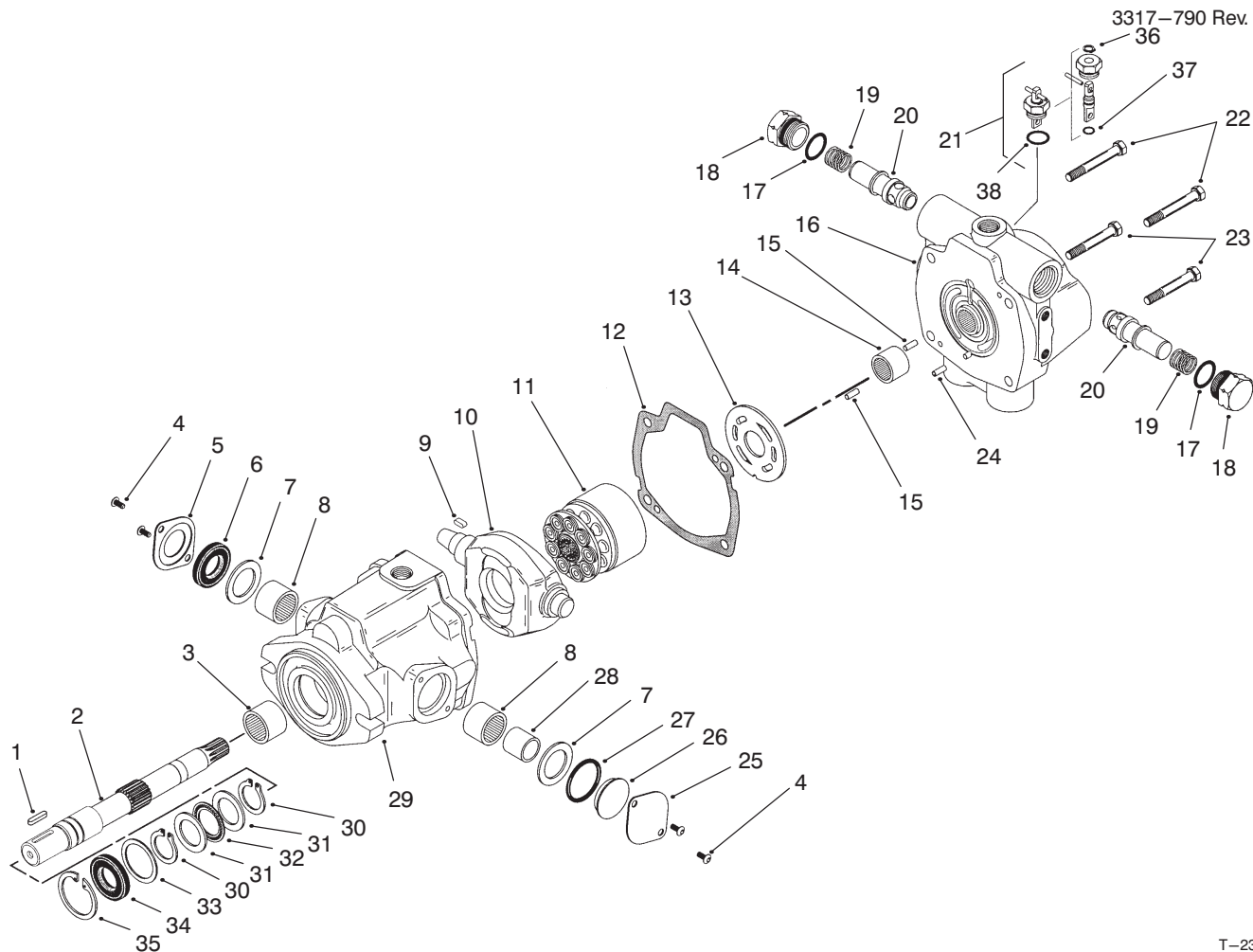
GEAR PUMP ASSEMBLY NO. 94-6390 (Serial No. 60474 & Up)

Ref. No.	Part No.	Description	No. Used
†1		Plate - Front	1
†2		Plate - Back	1
†3		Body	1
†4		Body	1
†5		Gear - Drive	1
†6		Gear - Idler	1
†7		Gear - Idler	1
†8		Gasket - Backup	2
†9		Plate - Wear	2
†10		Seal - Pressure	2
11	94-8158	Screw - Cap	8

Ref. No.	Part No.	Description	No. Used
†12		O-Ring	4
†13		Plate - Adapter	1
†14		Key	1
†15		Tube	1
†16		Gear	1
17	94-8160	Washer	4
18	94-3011	Plug	1
†19		Fitting - Suction	1
*	94-8161	Kit - Seal Repair (Incl. Ref. #8-10 & 14)	1

†Not Serviced Separately

*Not Illustrated



T-2357

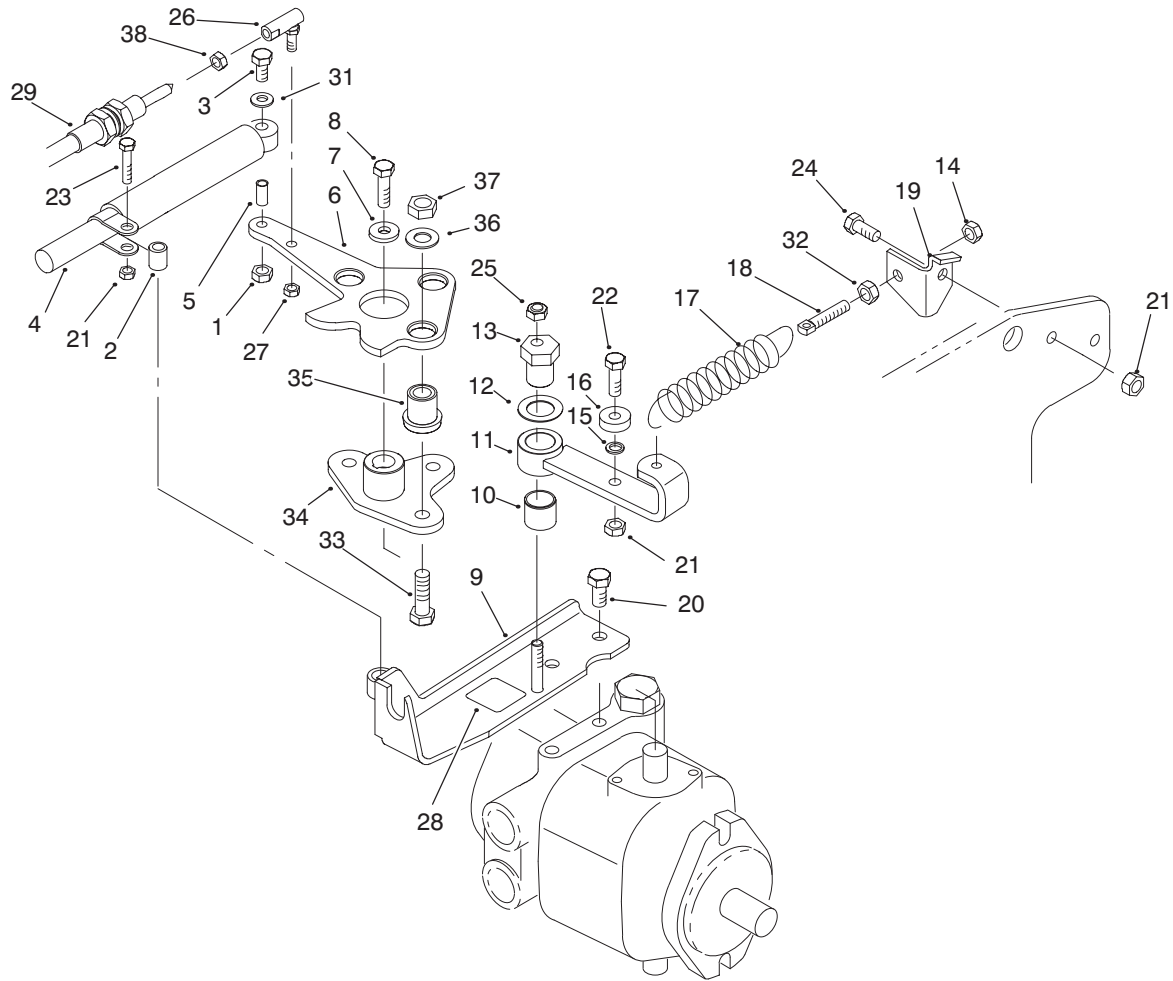
HYDROSTAT ASSEMBLY NO. 93-2586

Ref. No.	Part No.	Description	No. Used
1	94-3645	Key	1
2	94-6359	Shaft - Drive	1
3	94-6363	Bearing	1
4	60-6330	Screw	4
5	76-6080	Seal - Cover	1
6	76-6190	Seal - Shaft	1
7	76-6180	Washer	2
8	252-95	Bearing - Thrust	2
9	94-3646	Key	1
10	94-3643	Plate - Cam	1
11	76-6070	Rotating Kit Assembly	1
†12		Gasket	1
13	94-6360	Plate - Valve	1
14	94-6368	Bearing	1
15	76-6150	Pin - Dowel	2
16	94-6361	Back Plate Assembly (Incl. Ref. #14 & 24)	1
†17		O-Ring	4
18	70-1240	Plug Assembly (Incl. Ref. #17)	2
19	76-6200	Spring	2
20	94-3644	Seat	2

Ref. No.	Part No.	Description	No. Used
21	39-2080	Dump Valve Assembly	1
22	76-6170	Screw - Cap	2
23	76-6160	Screw - Cap	2
†24		Pin - Roll	1
25	76-6090	Cover - Trunion	1
26	76-6100	Cover - Trunion O-Ring	1
27	76-6140	O-Ring	1
28	33-3750	Race - Inner	1
29	94-3641	Housing Assembly (Incl. Ref. #3)	1
30	32151-29	Ring - Retaining	2
31	252-71	Race - Bearing	2
32	252-66	Bearing - Thrust	1
33	33-3720	Washer	1
34	42-2720	Seal - Shaft	1
35	32151-13	Ring - Retaining	1
†36		Ring - Retaining	1
†37		O-Ring	1
†38		O-Ring	1
*	94-6362	Seal Repair Kit (Incl. Ref. #6, 12, 17, 27, 30 & 34-38)	1

*Not Illustrated

†Not Serviced Separately

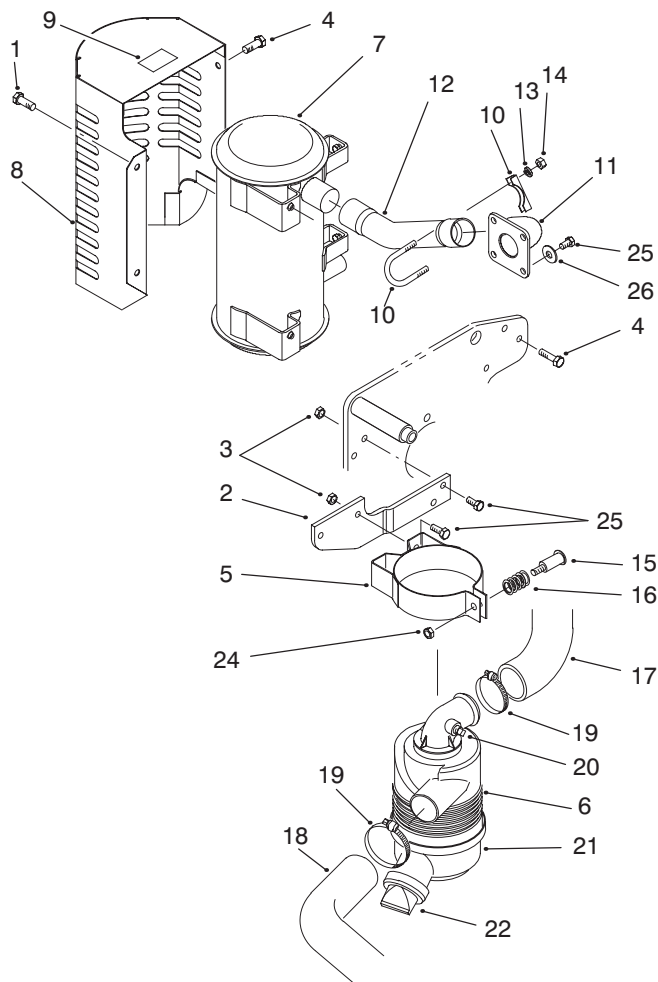


T-2228B

NEUTRAL SYSTEM ASSEMBLY

Ref. No.	Part No.	Description	No. Used
1	33023-00	Nut - Lock	1
2	94-3456	Tube - Pivot	1
3	33113-030	Screw - HH	1
4	76-8870	Lever Damper Assembly	1
5	94-1312	Spacer - Pivot	1
6	94-3488	Lever - Pump	1
7	88-7200	Washer - Pivot	1
8	3210-6	Screw - HH	1
9	94-1307	Cable Support	1
10	93-2103	Bushing - Straight	1
11	94-4527	Neutral Arm	1
12	3-6498	Washer - Thrust	1
13	93-2111	Stud - Traction	1
14	3296-4	Nut - Lock Elastic	1
15	75-5470	Spacer	1
16	251-259	Bearing - Ball	1
17	94-1369	Spring - Ext.	1
18	18-6380	Pin	1
19	94-3491	Bracket - Spring	1

Ref. No.	Part No.	Description	No. Used
20	323-4	Screw - HH	2
21	33024-00	Nut - Lock	3
22	33114-025	Screw - HH	1
23	33114-030	Screw - HH	1
24	33114-020	Screw - HH	1
25	3296-29	Nut - Hex	1
26	2411-34	Ball Joint	1
27	3296-13	Nut - Lock	1
28	93-9051	Decal - Eccentric Bolt	1
29	93-2099	Cable - Traction Control	1
31	3256-22	Washer - Flat	1
32	3220-2	Nut - Jam	1
33	33115-035	Screw - HH	3
34	94-3486	Plate	1
35	63-9750	Mount - Rubber	3
36	2844	Washer	3
37	33025-00	Nut - Lock	3
38	3220-1	Nut - Jam	1

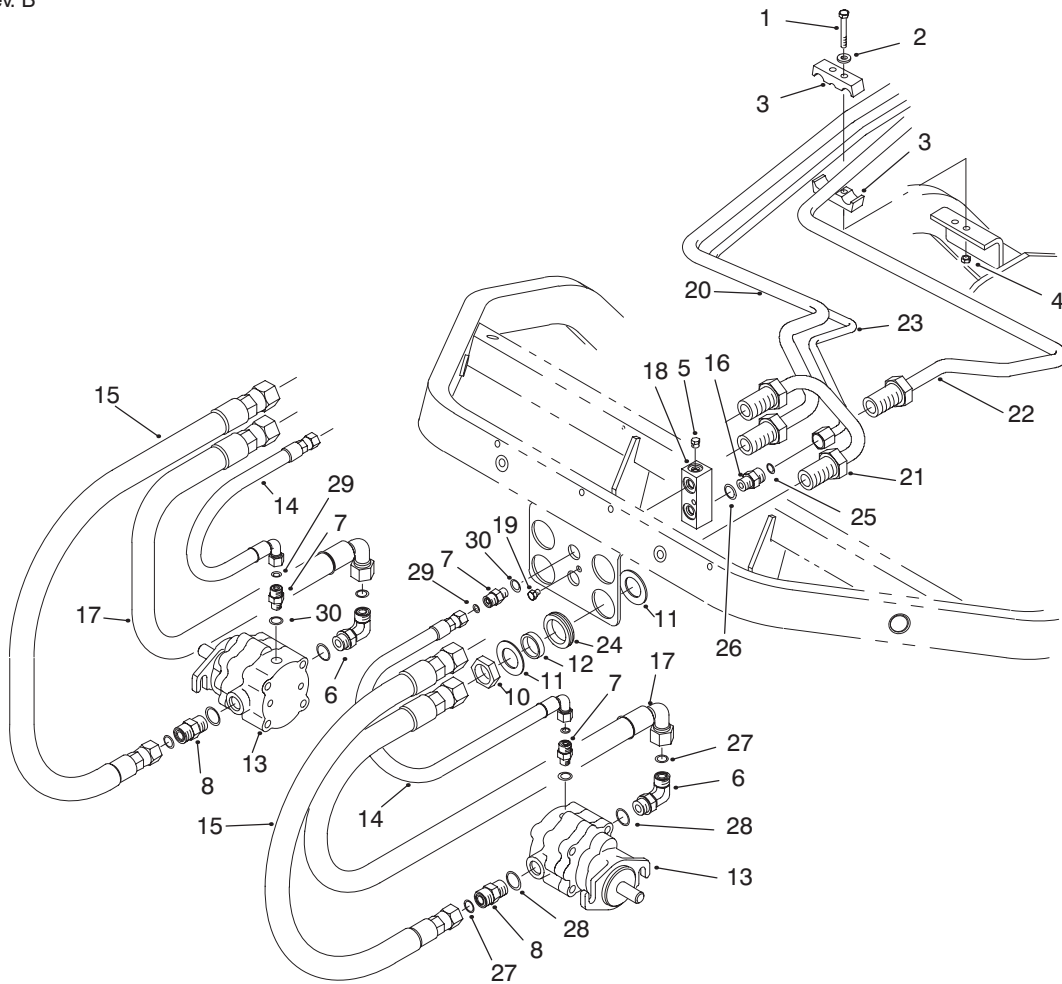


T-2291A

MUFFLER & AIR CLEANER ASSEMBLY

Ref. No.	Part No.	Description	No. Used	Ref. No.	Part No.	Description	No. Used
1	32144-14	Screw - HH	2	13	3253-4	Washer - Lock	4
2	94-5359	Bracket - Air Cleaner	1	14	3217-6	Nut - Hex.	4
3	33024-00	Nut - Lock	4	15	94-3653	Bolt	1
4	33114-020	Screw - HH	4	16	94-3654	Spring - Compression	1
5	93-2191	Mounting Band Assembly (Incl. Ref. #24-26)	1	17	93-2423	Hose - Air Cleaner	1
6	93-2190	Air Cleaner Assembly (Incl. Ref. #20-23)	1	18	93-2035	Hose - Air Cleaner	1
7	94-8153	Muffler	1	19	2412-92	Clamp - Hose	2
8	94-1339	Muffler Shield	1	20	285-17	Plug	1
9	93-8069	Decal - Hot Surface	1	21	94-3652	Cover Assembly	1
10	2112-9	Clamp (Incl. Ref. #13 & 14)	2	22	94-1414	Valve	1
11	93-2185	Exhaust Bracket	1	*23	93-2195	Element - Air Cleaner	1
12	93-2183	Pipe - Exhaust	1	24	48-9510	Nut - Lock	1
				25	33114-025	Screw - HH	8
				26	3253-4	Washer - Spring Lock	4

*Not Illustrated

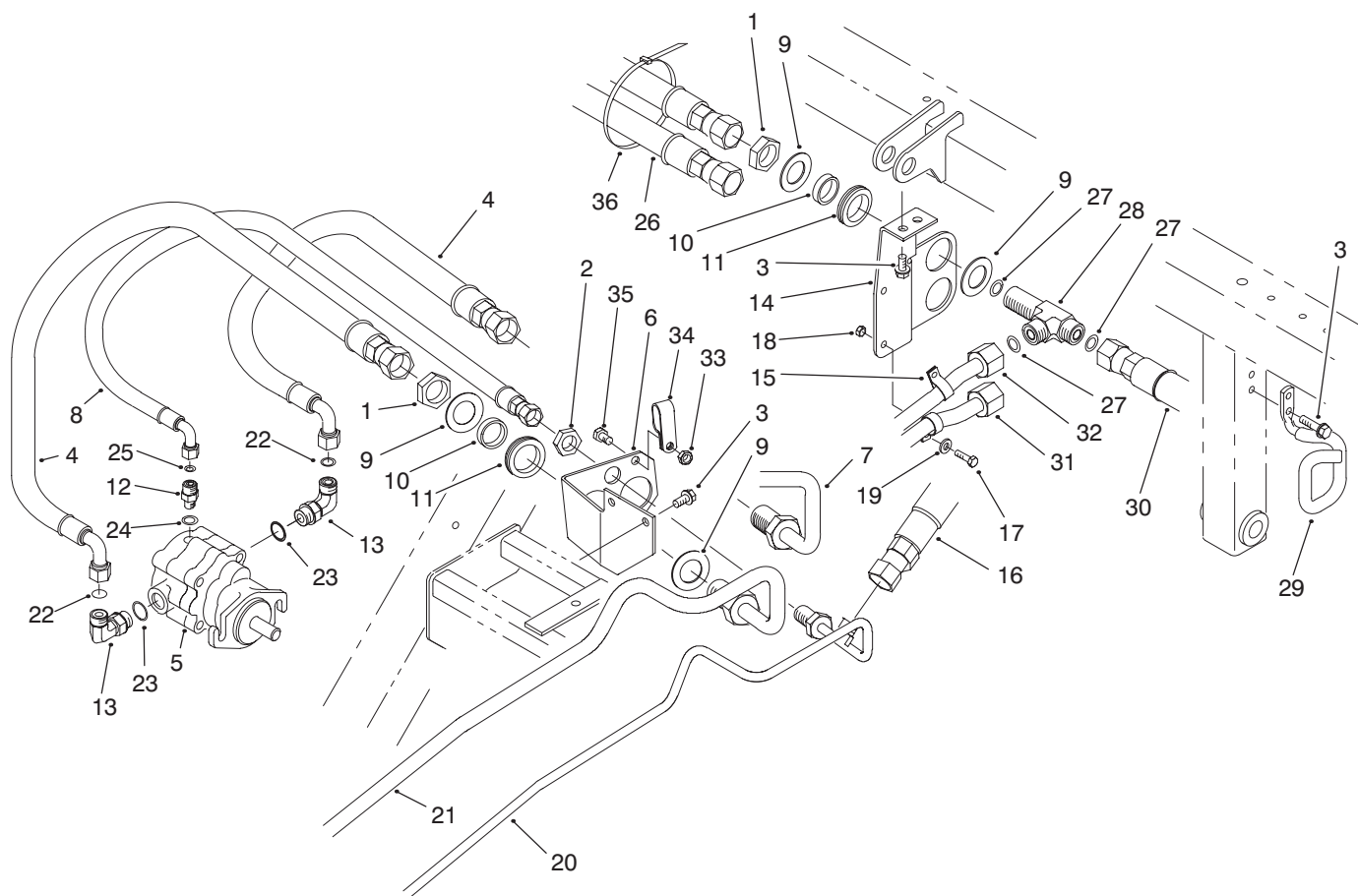


T-2240

REEL MOTOR INSTALLATION ASSEMBLY – RH & LH

Ref. No.	Part No.	Description	No. Used
1	33113-050	Screw – HH	2
2	3256-1	Washer – Flat	2
3	93-2509	Clamp – Tube	2
4	33023-00	Nut – Lock NI	2
5	353-991	Plug	1
6	340-98	Fitting – Hydraulic 90° (Incl. Ref. #27-28)	2
7	340-92	Fitting – Hydraulic (Incl. Ref. #29-30)	4
8	340-4	Fitting – Hydraulic (Incl. Ref. #27-28)	2
10	340-74	Nut – Bulkhead	4
11	69-9010	Washer	8
12	69-9000	Spacer	4
13	93-1375	Reel Motor	2
14	93-2264	Hose Assembly	2
15	93-2262	Hose Assembly	2

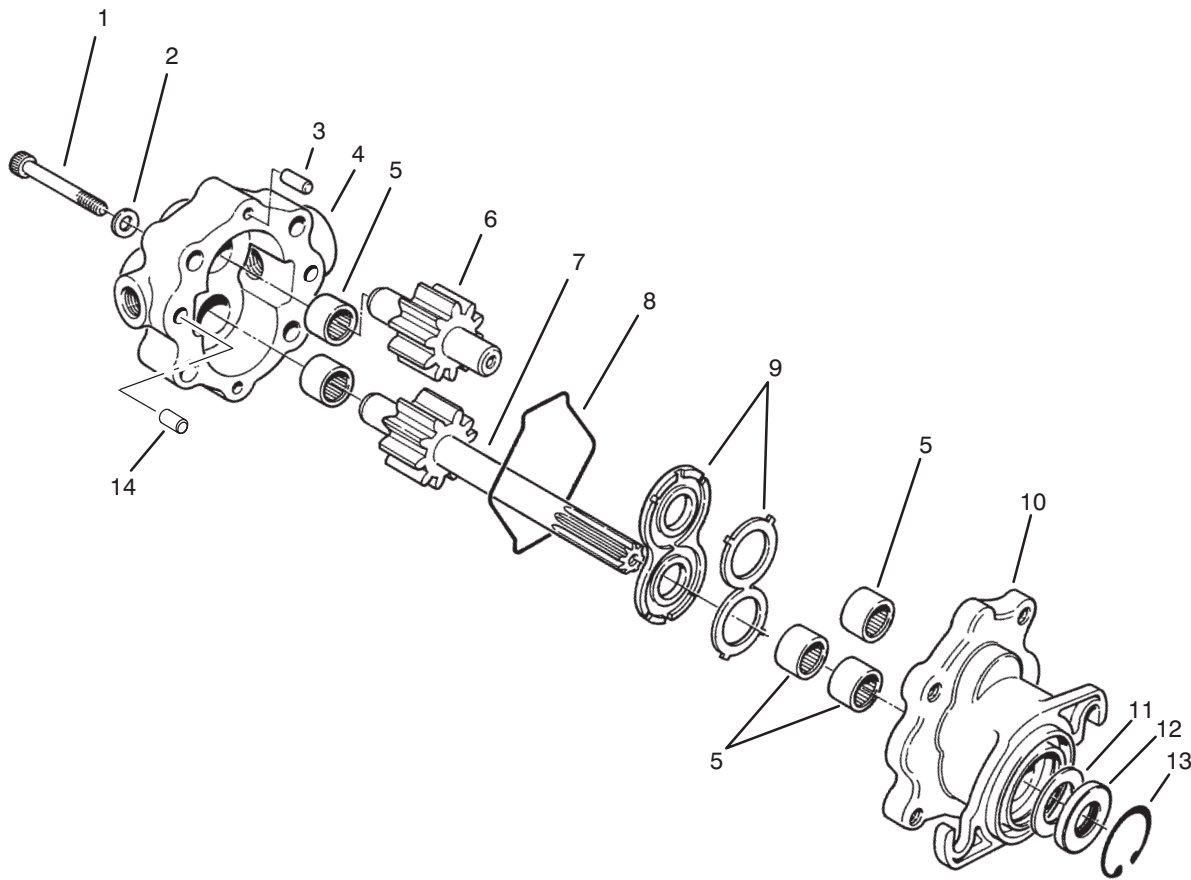
Ref. No.	Part No.	Description	No. Used
16	340-2	Fitting – Hydraulic (Incl. Ref. #25-26)	1
17	93-2263	Hose Assembly	2
18	93-2238	T-Block (Incl. Ref. #5)	1
19	33113-008	Screw – HH	1
20	94-1318	Tube – Hydraulic	1
21	94-1319	Tube – Hydraulic	1
22	94-1320	Tube – Hydraulic	1
23	94-1321	Tube – Hydraulic	1
24	240-3	Grommet – Rubber	4
25	237-22	O-Ring	1
26	237-42	O-Ring	1
27	237-30	O-Ring	4
28	237-79	O-Ring	4
29	237-21	O-Ring	4
30	237-78	O-Ring	4



T-2241B

REEL MOTOR INSTALLATION ASSEMBLY – REAR

Ref. No.	Part No.	Description	No. Used	Ref. No.	Part No.	Description	No. Used
1	340-74	Nut – Bulkhead	4	19	3256-22	Washer – Flat	2
2	340-70	Nut – Bulkhead	1	20	94-1321	Tube – Hydraulic	1
3	32144-14	Screw – HH	6	21	94-1318	Tube – Hydraulic	1
4	93-2259	Hose Assembly	2	22	237-30	O-Ring	2
5	93-1375	Reel Motor	1	23	237-79	O-Ring	2
6	94-1316	Bracket – Bulkhead	1	24	237-78	O-Ring	1
7	94-1317	Tube – Hydraulic	1	25	237-21	O-Ring	1
8	94-1328	Hose Assembly	1	26	94-5357	Hose Assembly	2
9	69-9010	Washer	8	27	237-65	O-Ring	3
10	69-9000	Spacer	4	28	94-5350	Fitting – Bulkhead Tee (Incl. Ref. #27)	2
11	240-3	Grommet – Rubber	4	29	94-5352	Retainer – Hose	1
12	340-92	Fitting – Hydraulic (Incl. Ref. #24-25)	1	30	94-5358	Hose Assembly	2
13	340-98	Fitting – Hydraulic 90° (Incl. Ref. #22-23)	2	31	94-5353	Tube – Hydraulic	1
14	94-8155	Bracket – Bulkhead	1	32	94-5354	Tube – Hydraulic	1
15	2412-134	Clamp – R	2	33	33024-00	Nut – Lock	1
16	94-4539	Hose Assembly	1	34	2412-137	Clamp – Tube, Double	1
17	33113-016	Screw – HH	2	35	33114-020	Screw – HH	1
18	33023-016	Nut – Lock NI	2	36	3290-378	Tie – Cable	1



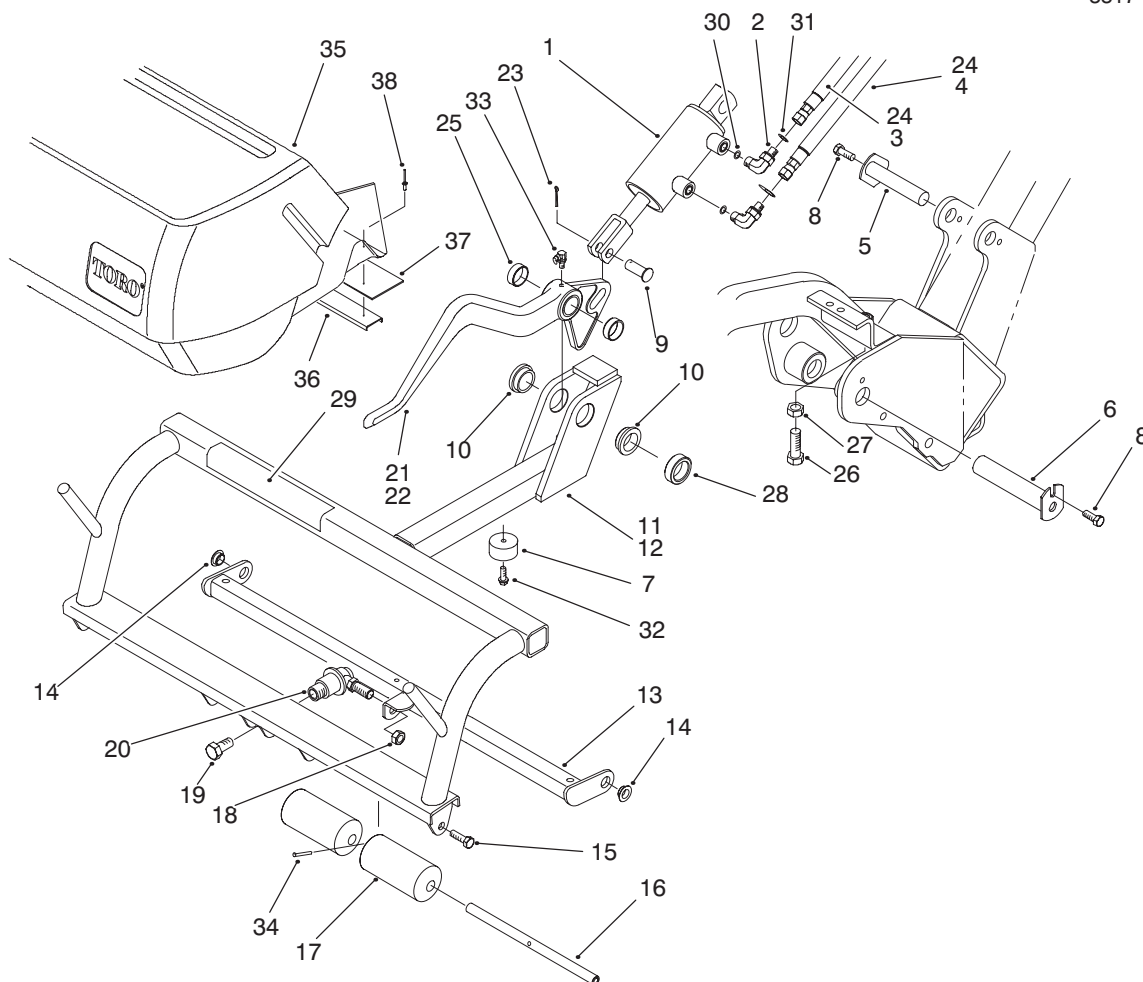
T-1872

REEL MOTOR ASSEMBLY NO. 93-1375

Ref. No.	Part No.	Description	No. Used
1	354-50	Screw-Hex Socket Hd.	4
2	354-51	Washer	4
3	353-599	Pin-Dowel	2
4	93-3614	Assembly - Cover (Incl. Ref. #5)	1
†5		Bearing-Needle	5
6	93-3616	Assembly - Idler Gear	1
7	93-3615	Assembly - Drive Shaft	1
8	354-46	Ring-Seal	1

Ref. No.	Part No.	Description	No. Used
9	74-3810	Assembly - Load Plate	1
10	92-8795	Assembly - Body (Incl. Ref. #5)	1
†11		Spacer	1
†12		Seal-Shaft	1
13	32151-41	Ring - Retaining	1
14	92-8796	Pin - Dowel	2
*	92-8863	Repair Kit (Incl. Ref. #8, & 11-13)	1

*Not Illustrated
†Not Serviced Separately

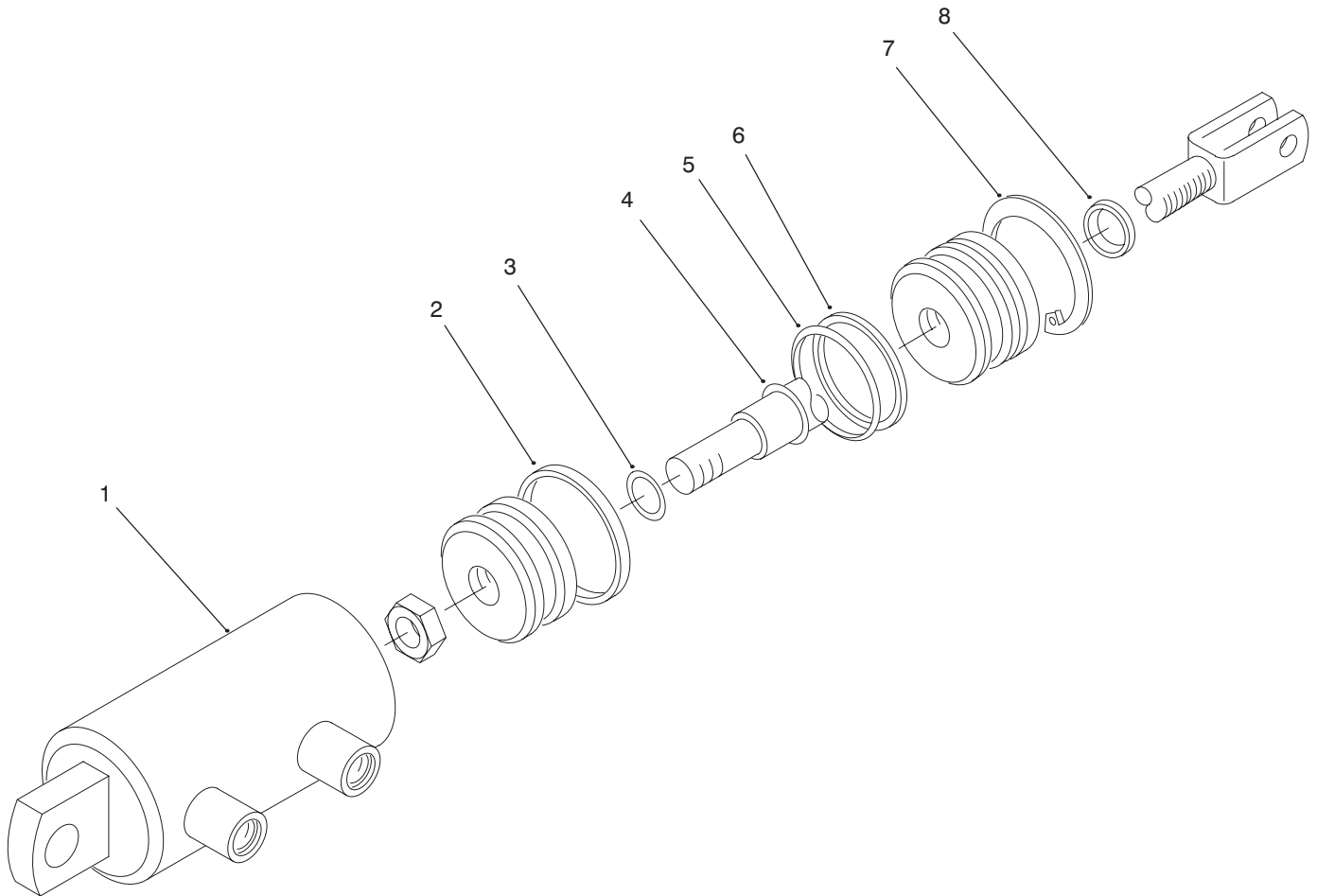


T-2230B

PULL FRAME ASSEMBLY – RH & LH

Ref. No.	Part No.	Description	No. Used	Ref. No.	Part No.	Description	No. Used
1	93-2246	Hydraulic Cylinder Assembly	2	21	93-2405	Lift Arm – RH	1
2	340-132	Fitting – Hydraulic 90° (Incl. Ref. #30-31)	4	22	93-2407	Lift Arm – LH	1
3	93-2255	Hose Assembly	1	23	3272-11	Pin – Cotter	2
4	93-2256	Hose Assembly	1	24	93-2254	Hose Assembly	2
5	10-6060	Pin – Ram Pivot	2	25	92-8995	Bushing – Straight	4
6	93-2380	Pin	2	26	325-6	Screw – HH	2
7	94-4548	Bumper	2	27	3218-5	Nut – Jam	2
8	32144-14	Screw – HH	4	28	93-2384	Spacer – Carrier	2
9	283-8	Pin – Clevis	2	29	93-8064	Decal – Warning	2
10	93-2361	Bushing – Flange	4	30	237-78	O-Ring	4
11	93-2369	Carrier – RH	1	31	237-21	O-Ring	4
12	93-2360	Carrier – LH	1	32	32144-44	Screw – HWH	2
13	94-3483	Pull Arm	2	33	302-60	Fitting – Grease 90°	2
14	93-2368	Bushing – Flange	4	34	32121-6	Pin – Roll	4
15	3211-2	Screw – HH	8	35	93-2553	Grass Basket Assembly (Incl. Ref. #36-38)	2
16	93-2363	Shaft – Roller	4	36	93-2552	Retainer	2
17	93-2362	Roller – Anti Scalp	8	37	93-2551	Seal – Basket	2
18	3296-19	Nut – Lock	2	38	3290-55	Rivet – Pop	16
19	3213-1	Screw – HH	2	*	65-8320	Bar – Guage	1
20	93-2133	Ball Joint	2				

* Not Illustrated.



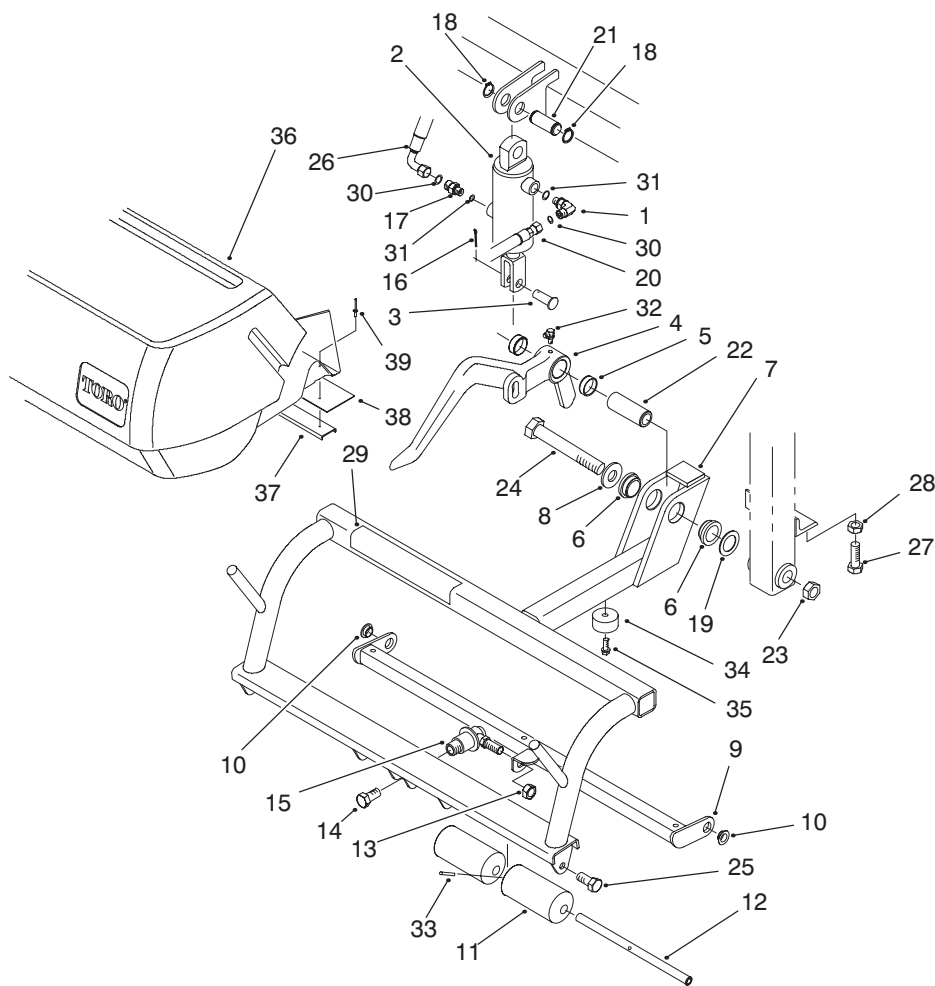
T-2299

HYDRAULIC CYLINDER NO. 93-2246

Ref. No.	Part No.	Description	No. Used
†1		Barrel	1
†2		Uniring	1
†3		O-Ring	1
†4		Seal - PDF	1
†5		O-Ring	1

Ref. No.	Part No.	Description	No. Used
†6		Washer - Back-Up	1
7	32120-8	Ring - Retaining	1
†8		Seal - Dust	1
*	86-5390	Kit - Seal, Repair (Incl. Ref. #2-6 & 8)	1

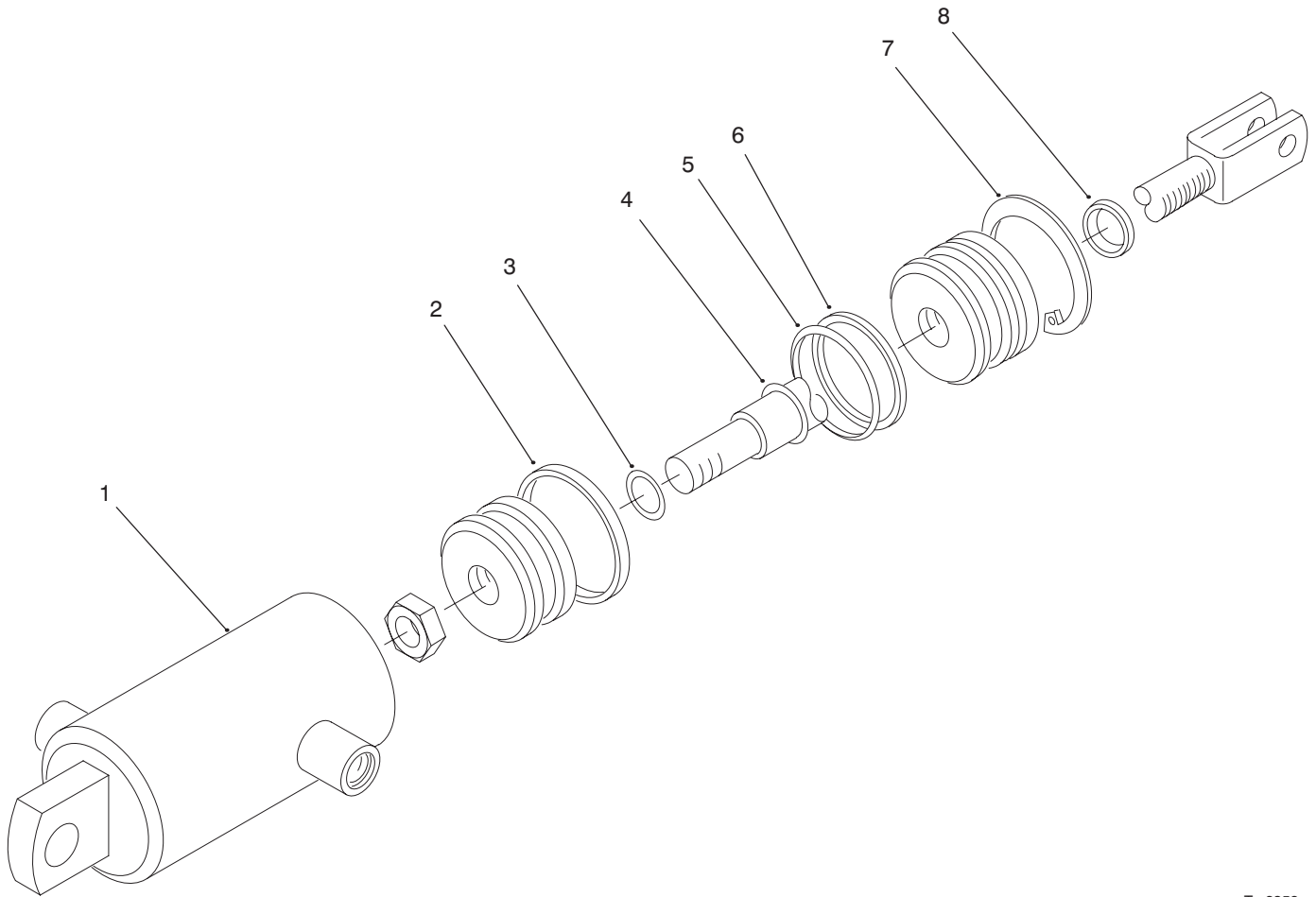
†Not Serviced Separately



T-2231B

PULL FRAME ASSEMBLY – REAR

Ref. No.	Part No.	Description	No. Used	Ref. No.	Part No.	Description	No. Used
1	340-132	Fitting – Hydraulic 90° (Incl. Ref. #30-31)	1	20	93-2258	Hose Assembly	1
2	94-6357	Hydraulic Cylinder Assembly	1	21	94-3452	Pin – Cylinder	1
3	283-8	Pin – Clevis	1	22	94-1398	Tube – Pivot	1
4	93-2403	Lift Arm – Center	1	23	3296-53	Nut – Hex	1
5	92-8995	Bushing – Straight	2	24	327-17	Screw – HH	1
6	93-2361	Bushing – Flange	2	25	3211-2	Screw – HH	4
7	93-2350	Carrier – Center	1	26	94-3477	Hose Assembly	1
8	3256-7	Washer – Flat	1	27	325-6	Screw – HH	1
9	94-3483	Pull Arm	1	28	3218-5	Nut – Jam	1
10	93-2368	Bushing – Flange	2	29	93-8064	Decal – Warning	1
11	93-2362	Roller – Anti Scalp	4	30	237-21	O-Ring	2
12	93-2363	Shaft – Roller	2	31	237-78	O-Ring	2
13	3296-19	Nut – Lock	1	32	302-60	Fitting – Grease 90°	1
14	3213-1	Screw – HH	1	33	32121-6	Pin – Roll	2
15	93-2133	Ball Joint	1	34	94-4548	Bumper – Recessed	1
16	3272-11	Pin – Cotter	1	35	32144-44	Screw – HWH	1
17	85-9720	Fitting – Hydraulic (Incl. Ref. #30-31)	1	36	93-2553	Grass Basket Assembly (Incl. Ref. #37-39)	1
18	32120-72	Ring – Retaining, Ext.	2	37	93-2552	Retainer	1
19	63-2290	Washer – Thrust	1	38	93-2551	Seal – Basket	1
				39	3290-55	Rivet – Pop	8



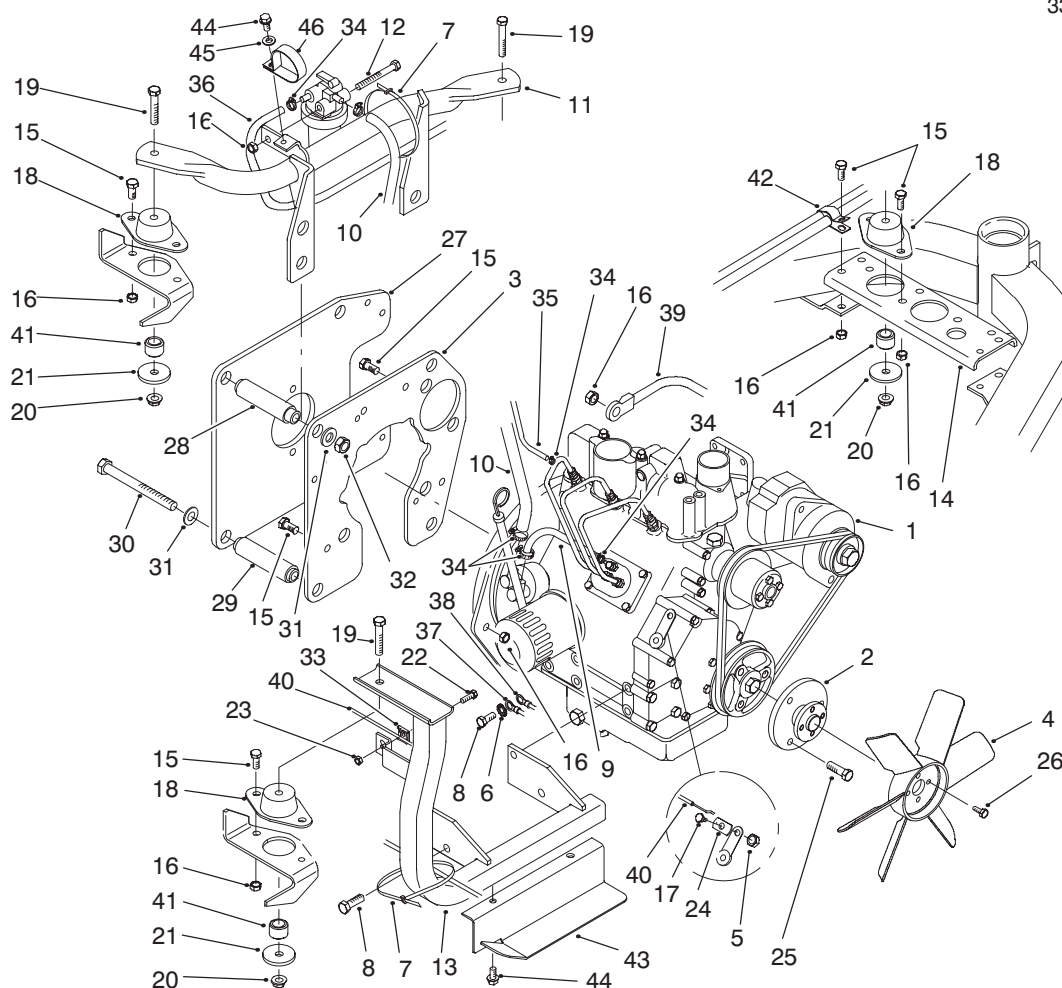
T-2358

HYDRAULIC CYLINDER NO. 94-6357

Ref. No.	Part No.	Description	No. Used
†1		Barrel	1
†2		Uniring	1
†3		O-Ring	1
†4		Seal - PDF	1
†5		O-Ring	1

Ref. No.	Part No.	Description	No. Used
†6		Washer - Back-Up	1
7	32120-8	Ring - Retaining	1
†8		Seal - Dust	1
*	86-5390	Kit - Seal, Repair (Incl. Ref. #2-6 & 8)	1

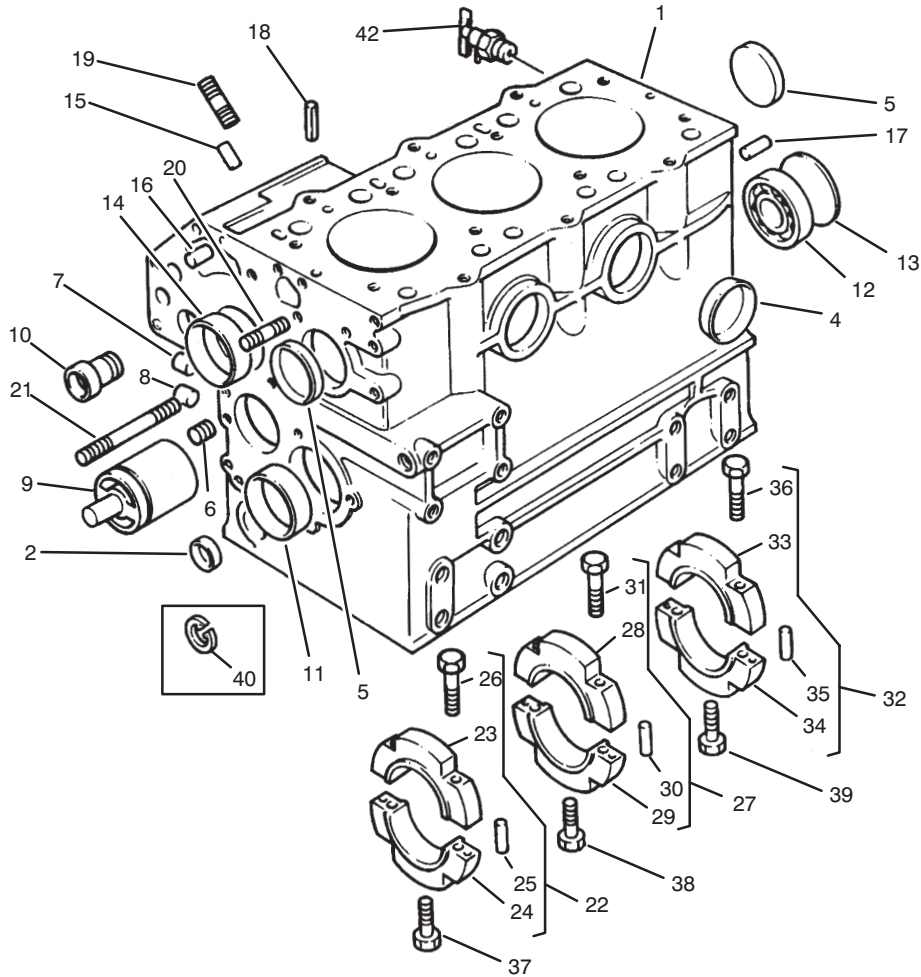
†Not Serviced Separately



T-2273A

ENGINE INSTALLATION ASSEMBLY

Ref. No.	Part No.	Description	No. Used	Ref. No.	Part No.	Description	No. Used
1	93-2150	Engine – Perkins (Incl. Ref. #4)	1	24	92-3154	Tab – Throttle	1
2	93-2152	Adapter – Fan	1	25	33114-020	Screw – HH	3
3	93-2151	Plate – Backing	1	26	33113-016	Screw – HH	4
4		Fan	1	27	93-2173	Plate – Pump	1
5	3296-21	Nut – Lock	1	28	93-2177	Spacer – Upper	2
6	3254-3	Washer – Lock	1	29	93-2178	Spacer – Lower	2
7	3290-378	Tie – Cable	2	30	33116-130	Screw – HH	4
8	33115-020	Screw – HH	5	31	3256-26	Washer – Flat	8
9	93-2043	Hose – Fuel	1	32	33026-00	Nut – Lock	4
10	93-2042	Hose – Fuel	1	33	81-1690	Clamp – Throttle Cable	1
11	93-2160	Engine Mount – Rear	1	34	2412-108	Clamp – Hose	6
12	33114-070	Screw – HH	1	35	93-2298	Hose – Fuel	1
13	93-2155	Engine Mount – Front	1	36	93-2230	Hose – Fuel	1
14	93-2020	Bracket – Support	1	37	93-2344	Cable – Battery Negative	1
15	33114-020	Screw – HH	14	38	93-2340	Wire Harness	1
16	33024-00	Nut – Lock	14	39	93-2343	Cable – Battery Positive	1
17	94-1390	Screw – Shoulder	1	40	93-2322	Cable – Throttle Control	1
18	83-1030	Mount – Engine	3	41	94-4538	Spacer – Mount	3
19	323-11	Screw – HH	3	42	92-5753	Clamp – Hose, Double	1
20	3290-357	Nut – Lock, Flange	3	43	94-8156	Shield – Dust	1
21	41-4430	Plate – Washer	3	44	32144-14	Screw – HWH	3
22	32105-13	Screw – HH	1	45	3256-23	Washer – Flat	1
23	3296-2	Nut – Lock	1	46	2412-107	Clamp – R	1



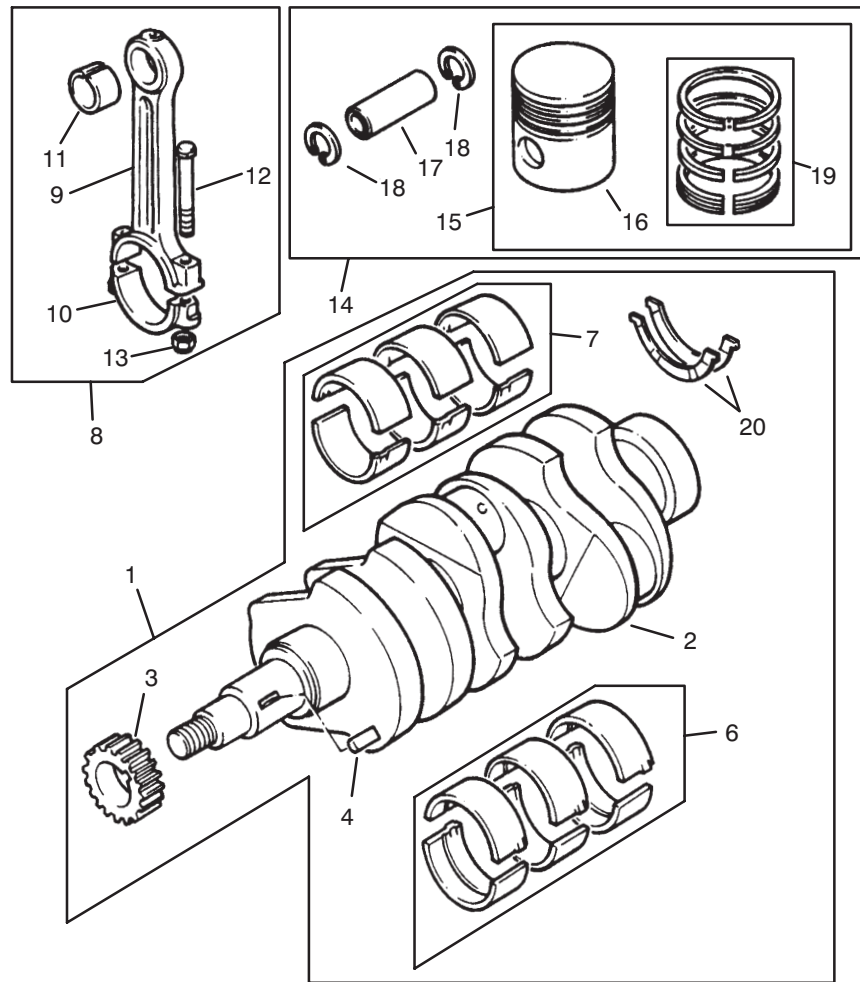
T-1377A

CYLINDER BLOCK ASSEMBLY

Ref. No.	Part No.	Description	No. Used	Ref. No.	Part No.	Description	No. Used
1	110186150	Kit – Cylinder Block	1	23		Cap	1
2	064200015	Plug	1	24		Cap	1
4	064200040	Plug	2	25	030500612	Dowel	2
5	064200040	Plug	2	26	010810840	Screw	2
6	198466050	Plug	3	27	110156230	Holder	
7	198466010	Plug	4			(Incl. Ref. #28 & 29)	1
8	198466070	Plug	2	28		Cap	1
9	165296160	Shaft	1	29		Cap	1
10	198517090	Bush	1	30	030500612	Dowel	2
11	198517300	Bush	1	31	010810840	Screw	2
*	198517304	Bush, 0.25mm u/s	1	32	110156240	Holder	
*	198517307	Bush, 0.50mm u/s	1			(Incl. Ref. #33 & 34)	1
12	040106203	Bearing – Ball	1	33		Cap	1
13	064100045	Plug	1	34		Cap	1
14	042303015	Bush	1	35	030500612	Dowel	2
15	030500512	Dowel	2	36	010810840	Screw	2
16	030500616	Dowel	2	37	011310850	Screw	1
17	030500820	Dowel	2	38	011310850	Screw	1
18	030309005	Pin	2	39	010700845	Screw	2
19	012100620	Stud	2	40	036509005	Circlip	1
20	012100635	Stud	1	41	064200018	Plug	2
21	012100660	Stud	1	42	198736052	Cock	1
22	110156220	Holder		*	195906840	Kit – Gasket	1
		(Incl. Ref. #23 & 24)	1				

NOTE: Obtain replacement parts from your local Perkins Dealer.

*Not Illustrated



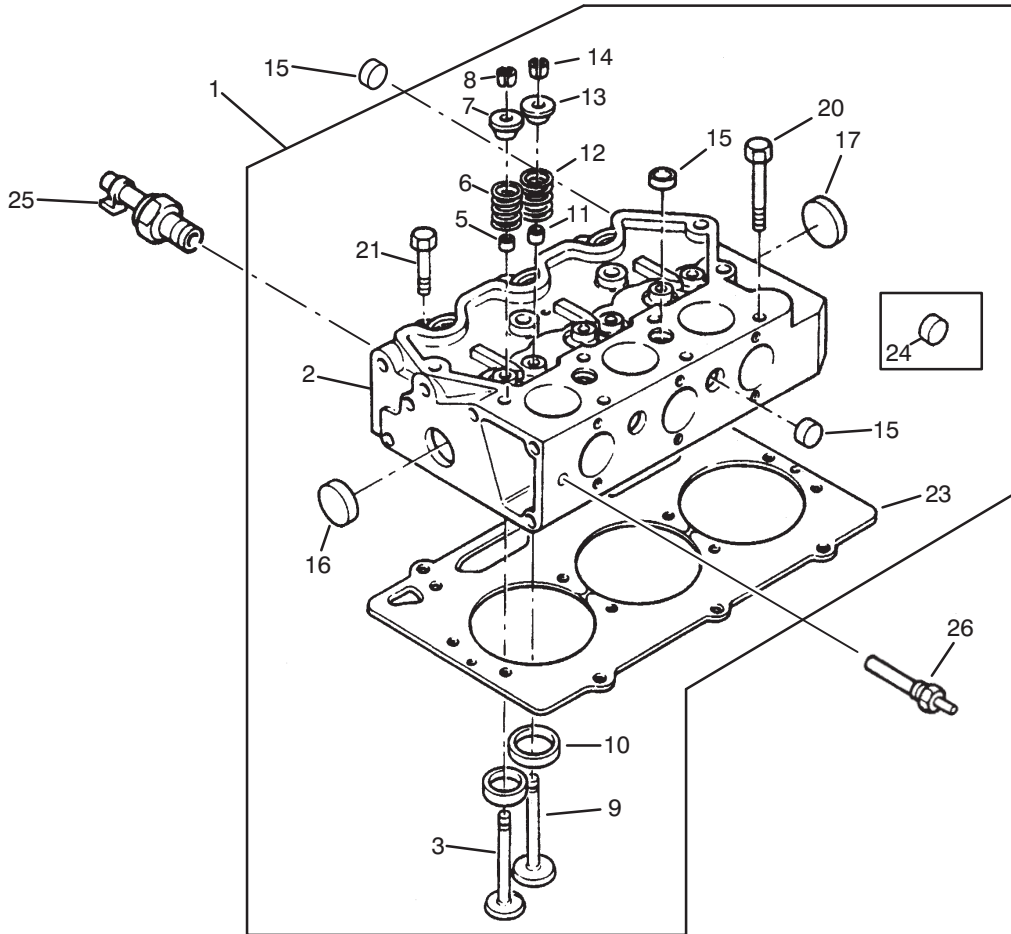
T-2174

CRANKSHAFT ASSEMBLY

Ref. No.	Part No.	Description	No. Used	Ref. No.	Part No.	Description	No. Used
1	115236020	Kit – Crankshaft (Incl. Ref. #2)	1	11	198517325	Bushing	1
2		Crankshaft	1	12	115176130	Screw	2
3	115276210	Gear	1	13	020109103	Nut	2
4	030509020	Key	1	14	115017090	Kit – Piston, Std.	3
6	198586030	Kit – Bearing, Std.	1	*	115017100	Kit – Piston, 0.5mm o/s	1
*	198586034	Kit – Bearing, 0.25mm u/s	1	15	115016960	Kit – Piston, Std. (Incl. Ref. #16)	1
*	198586037	Kit – Bearing, 0.50mm u/s	1	*	115016970	Kit – Piston, 0.5mm o/s (Incl. Ref. #16)	1
7	198586060	Kit – Bearing, Std.	1	16		Piston	1
*	198586064	Kit – Bearing, 0.25mm u/s	1	17	115326260	Pin	1
*	198586067	Kit – Bearing, 0.50mm u/s	1	18	036500019	Circlip	2
8	115026240	Connecting Rod Assembly (Incl. Ref. # 9 & 10)	3	19	115107400	Kit – Piston Ring, Std.	1
9		Rod	1	*	115107410	Kit – Piston Ring, 0.5mm o/s	1
10		Cap	1				

NOTE: Obtain replacement parts from your local Perkins Dealer.

*Not Illustrated



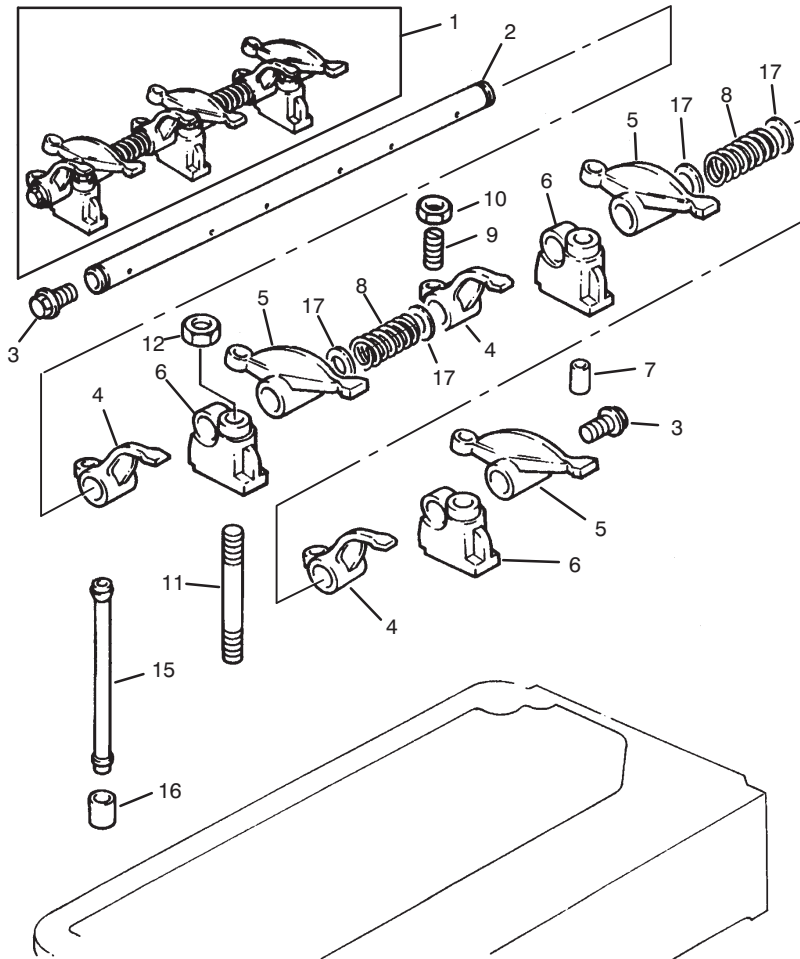
T-2175

CYLINDER HEAD ASSEMBLY

Ref. No.	Part No.	Description	No. Used	Ref. No.	Part No.	Description	No. Used
1	111016911	Kit – Cylinder Head	1	13	120186100	Cap	3
2	111086030	Kit – Cylinder Head	1	14	120226080	Cotter	6
3	120166280	Valve Inlet	3	15	198466070	Plug	4
5	120406080	Seal	3	16	064200022	Plug	3
6	198217070	Spring	3	17	064200022	Plug	3
7	120186100	Cap	3	20	111136340	Screw	11
8	120226080	Cotter	6	21	111136350	Screw	3
9	120176290	Valve Exhaust	3	23	111147400	Gasket, o/s 1.3mm	1
10	110136290	Insert	3	24	064200018	Plug	2
11	120406080	Seal	3	25	185246060	Switch – Oil Pressure	1
12	198217070	Spring	3	26	385720230	Sender – Temperature	1

NOTE: Obtain replacement parts from your local Perkins Dealer.

*Not Illustrated

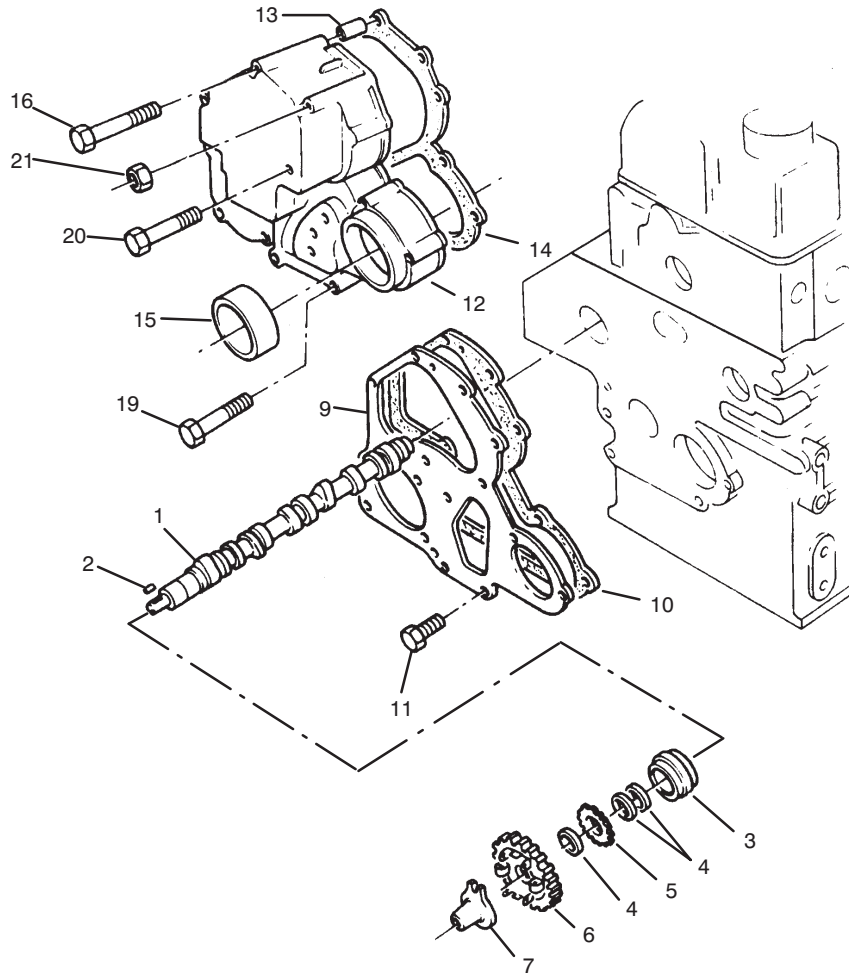


T-1380

ROCKER ARM ASSEMBLY

Ref. No.	Part No.	Description	No. Used	Ref. No.	Part No.	Description	No. Used
1	120036330	Rocker Shaft Assembly	1	9	199486220	Adjusting Screw	6
2	120316190	Shaft	1	10	020109076	Nut	6
3	064609006	Plug	2	11	012109177	Stud	3
4	120356120	Lever	3	12	023100008	Nut	3
5	120356110	Lever	3	15	120456240	Rod	6
6	120346170	Bracket	3	16	120116100	Tappet	6
7	030300325	Pin	1	17	199280280	Washer	4
8	198217080	Spring	2				

NOTE: Obtain replacement parts from your local Perkins Dealer.



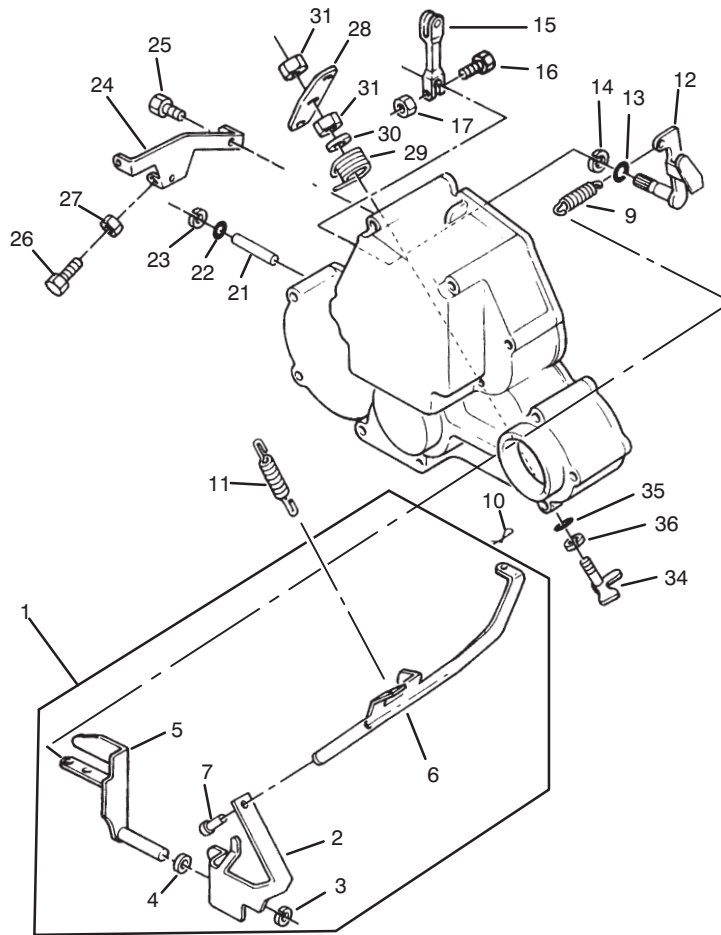
T-1381

CAMSHAFT ASSEMBLY

Ref. No.	Part No.	Description	No. Used
1	120026121	Camshaft	1
2	034100508	Key	1
3	040109059	Bearing	1
4	199216230	Spacer	3
5	120736081	Gear	1
6	120016030	Gear	1
7	125256120	Tappet	1
9	165166260	Plate	1
10	165996400	Joint	1

Ref. No.	Part No.	Description	No. Used
11	011300612	Bolt	3
12	165106131	Cover	1
13	030300414	Pin	1
14	165996410	Joint	1
15	198636090	Seal	1
16	011300680	Screw	2
19	011300640	Screw	4
20	011300660	Screw	2
21	023100006	Nut	1

NOTE: Obtain replacement parts from your local Perkins Dealer.

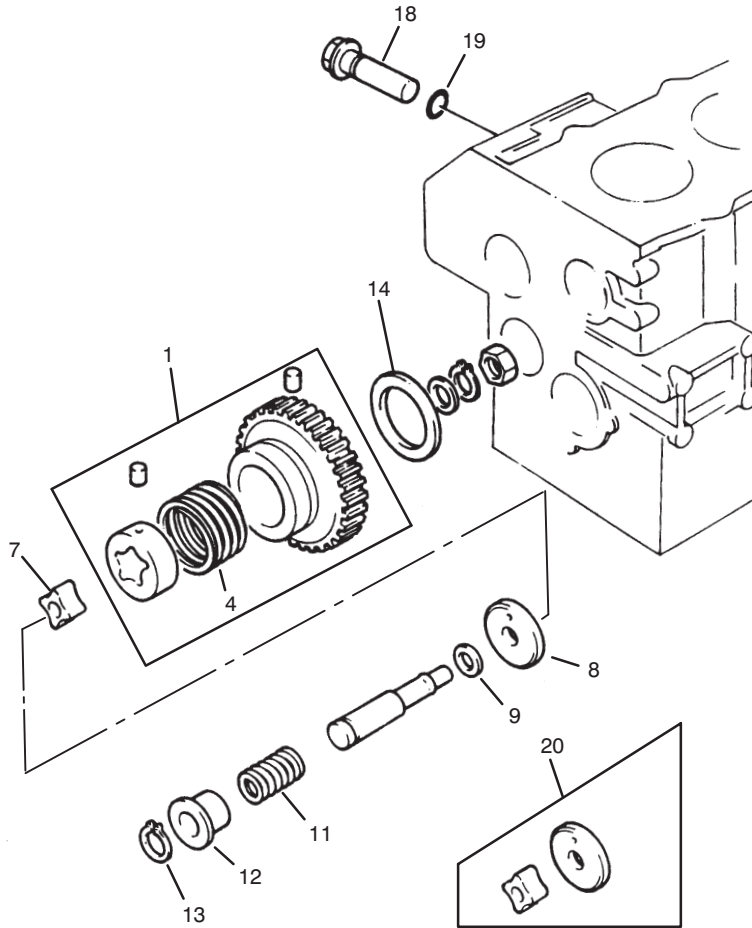


T-1382

TIMING COVER ASSEMBLY

Ref. No.	Part No.	Description	No. Used	Ref. No.	Part No.	Description	No. Used
1	125046250	Lever (Incl. Ref. #2, 6 & 7)	1	17	023100006	Nut	1
2		Lever	1	21	125116130	Shaft	1
3	036800008	Circlip	1	22	052100030	Seal - O-Ring	1
4	026200010	Washer	1	23	036800005	Circlip	1
5	125406071	Lever	1	24	125976120	Stay	1
6		Link	1	25	011300616	Screw	2
7		Pin	1	26	010109264	Screw	2
9	198217110	Spring	1	27	023100006	Nut	2
10	031100004	Pin	1	28	125176080	Lever	1
11	198216731	Spring	1	29	198216760	Spring	1
12	125156170	Arm	1	30	026200008	Washer	1
13	052100070	O Ring	1	31	020300008	Nut	2
14	036800008	Circlip	1	34	125156180	Arm	1
15	125416300	Lever	1	35	052100050	O Ring	1
16	010110630	Screw	1	36	036800006	Circlip	1

NOTE: Obtain replacement parts from your local Perkins Dealer.



T-1383

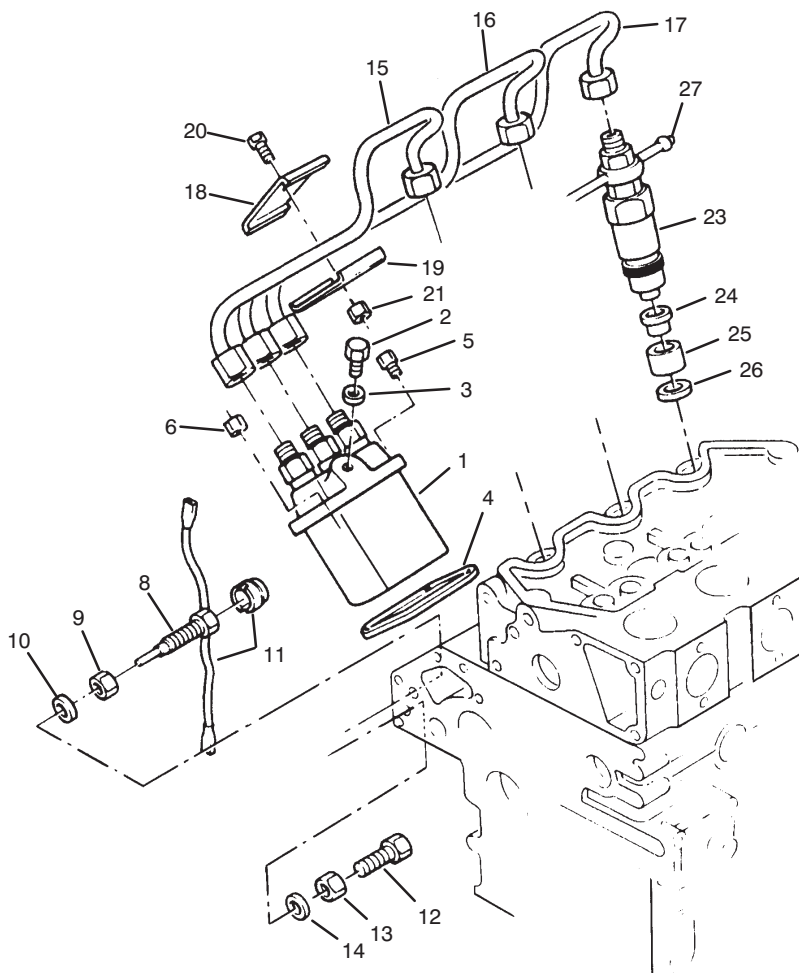
OIL PUMP ASSEMBLY

Ref. No.	Part No.	Description	No. Used
1	165026110	Gear	1
4	198216821	Spring	1
7	140166130	Rotor	1
8	140116140	Cover	1
9	199286150	Shim, 0.10mm o/s	1
*	199286160	Shim, 0.15mm o/s	1
*	199286170	Shim, 0.20mm o/s	1
*	199286180	Shim, 0.50mm o/s	1

Ref. No.	Part No.	Description	No. Used
11	198216720	Spring	1
12	199236540	Collar	1
13	036800010	Circlip	1
14	199266180	Washer	1
18	140036120	Valve	1
19	052100150	Seal - O-Ring	1
20	140186010	Repair Kit	1

NOTE: Obtain replacement parts from your local Perkins Dealer.

*Not Illustrated



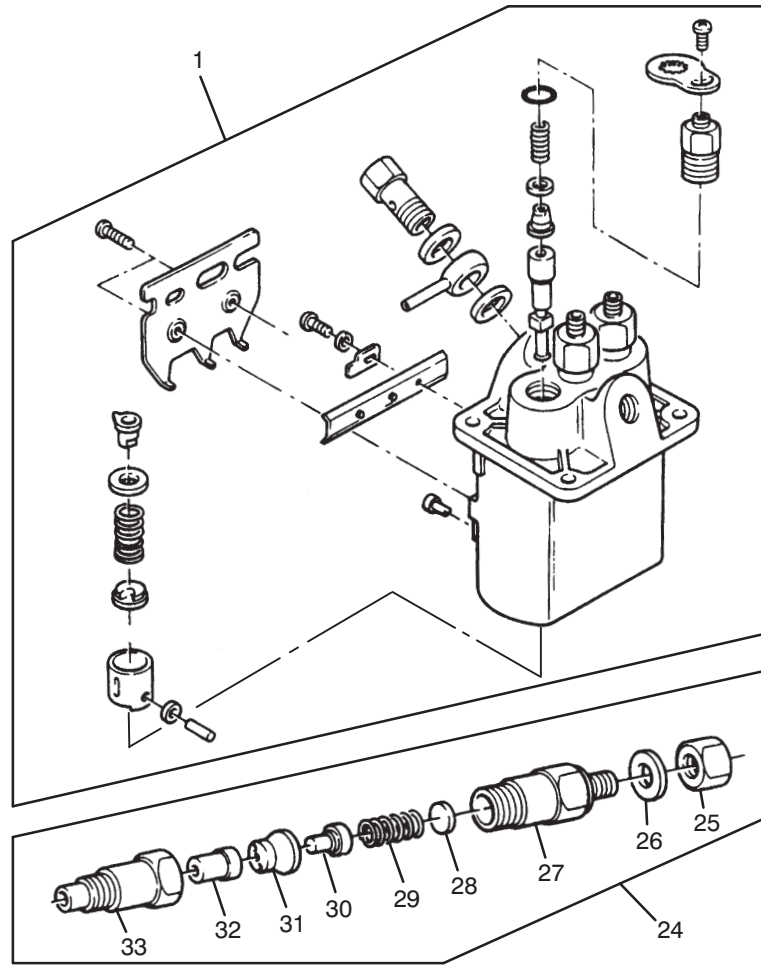
T-1384

FUEL INJECTION SYSTEM ASSEMBLY

Ref. No.	Part No.	Description	No. Used	Ref. No.	Part No.	Description	No. Used
1	131017610	Injection Pump	1	14	025100010	Washer	1
2	131236280	Screw	1	15	131507010	Injection Pipe No. 1 Cyl.	1
3	025100006	Washer	1	16	131507020	Injection Pipe No. 2 Cyl.	1
4	131426300	Shim	1	17	131507030	Injection Pipe No. 3 Cyl.	1
5	011300620	Screw	2	18	199106020	Damper	2
6	023100006	Nut	2	19	199106020	Damper	2
8	131046160	Screw	1	20	010100625	Screw	2
*	131046110	Screw	1	21	023100006	Nut	2
9	023109002	Nut	1	23	131406340	Atomiser	3
10	025100010	Washer	1	24	131426200	Gasket	3
11	198236030	Wire	1	25	111316280	Insert	3
12	010109271	Screw	1	26	198996090	Seal	3
13	023109002	Nut	1	27	131606260	Pipe	1

NOTE: Obtain replacement parts from your local Perkins Dealer.

*Not Illustrated



T-2176

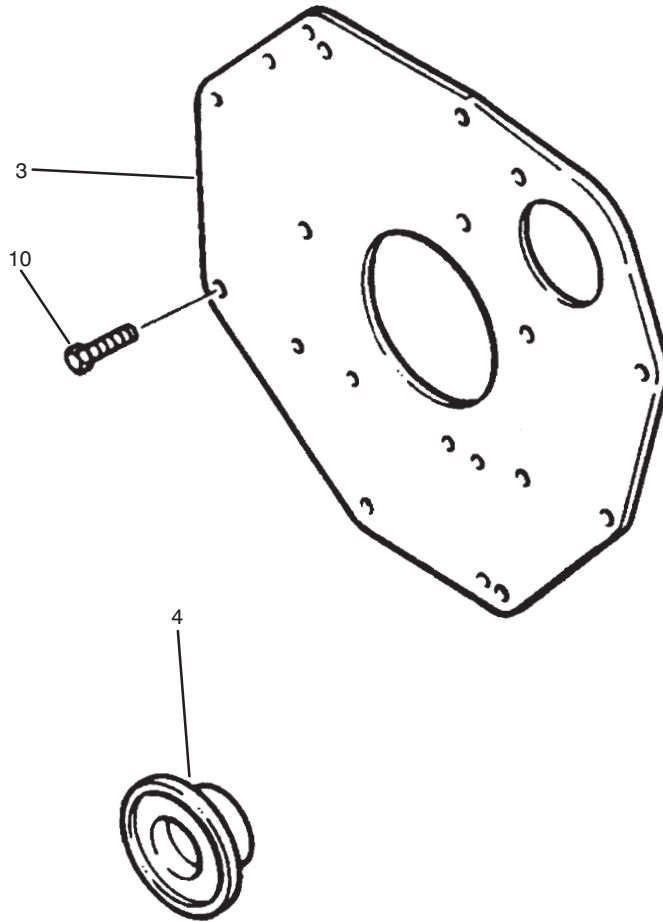
INJECTION PUMP ASSEMBLY

Ref. No.	Part No.	Description	No. Used
1	131017610	Injection Pump	1
24	131406340	Atomiser	3
25	131446069	Nut	1
26	131426210	Washer	1
27	131446065	Body	1
28	131437250	Shim, 0.90mm o/s	1
*	131437251	Shim, 0.925mm o/s	1
*	131437252	Shim, 0.95mm o/s	1
*	131437253	Shim, 0.975mm o/s	1
*	131437354	Shim, 1.00mm o/s	1
*	131437255	Shim, 1.025mm o/s	1
*	131437256	Shim, 1.05mm o/s	1
*	131437257	Shim, 1.075mm o/s	1
*	131437258	Shim, 1.10mm o/s	1
*	131437259	Shim, 1.125mm o/s	1
*	131437260	Shim, 1.15mm o/s	1
*	131437261	Shim, 1.175mm o/s	1

Ref. No.	Part No.	Description	No. Used
*28	131437262	Shim, 1.20mm o/s	1
*	131437263	Shim, 1.225mm o/s	1
*	131437264	Shim, 1.250mm o/s	1
*	131437265	Shim, 1.275mm o/s	1
*	131437266	Shim, 1.30mm o/s	1
*	131437267	Shim, 1.325mm o/s	1
*	131437268	Shim, 1.35mm o/s	1
*	131437269	Shim, 1.375mm o/s	1
*	131437270	Shim, 1.40mm o/s	1
*	131437271	Shim, 1.425mm o/s	1
*	131437272	Shim, 1.45mm o/s	1
29	131446066	Spring	1
30	131446070	Pin	1
31	131446068	Spacer	1
32	131416150	Nozzle	1
33	131446067	Nut	1

NOTE: Obtain replacement parts from your local Perkins Dealer.

*Not Illustrated

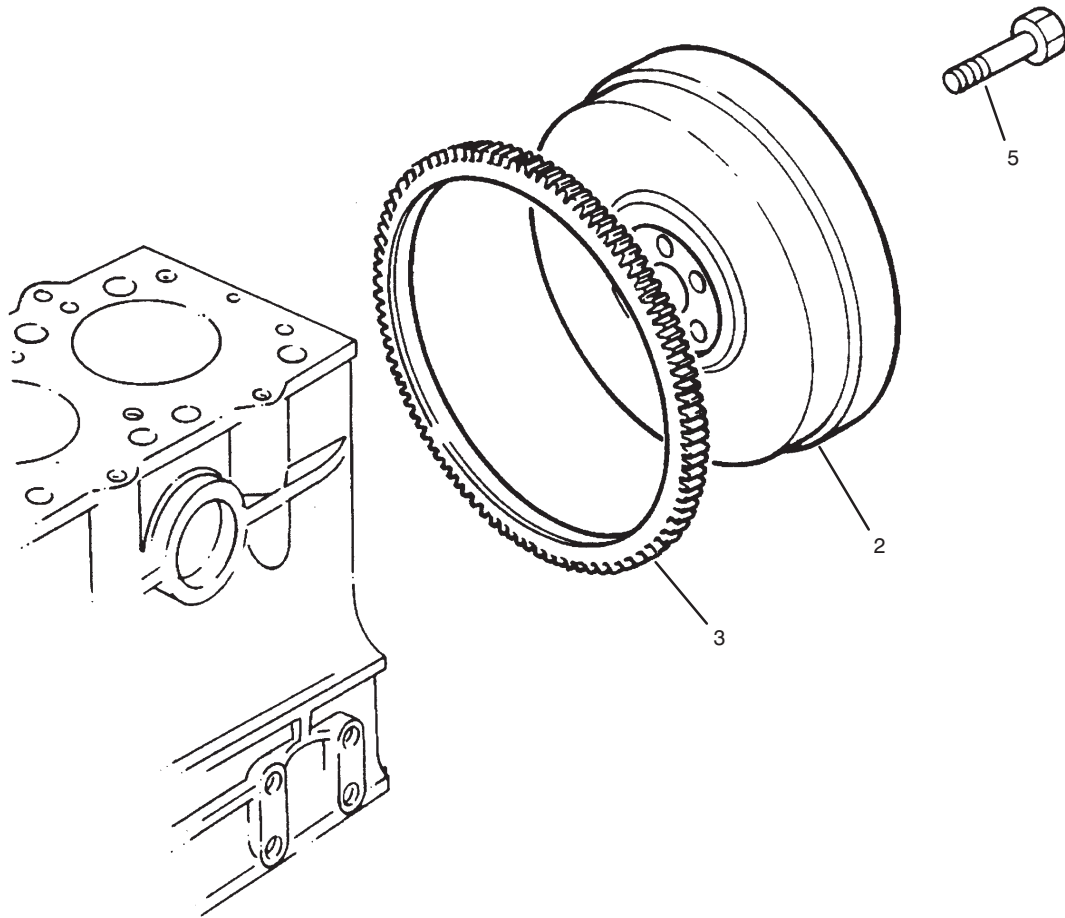


T-1386

REAR PLATE & SEAL

Ref. No.	Part No.	Description	No. Used	Ref. No.	Part No.	Description	No. Used
3	110366400	Plate	1	10	011310816	Screw	10
4	198636080	Seal	1				

NOTE: Obtain replacement parts from your local Perkins Dealer.

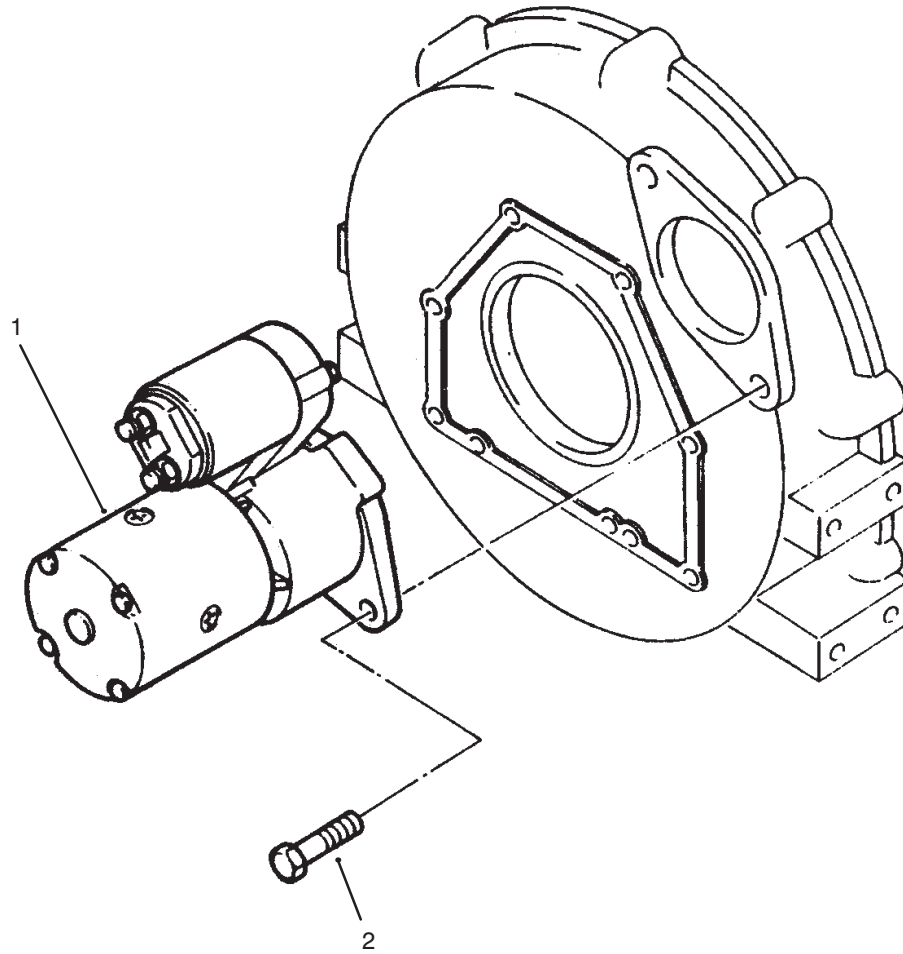


T-1387

FLYWHEEL ASSEMBLY

Ref. No.	Part No.	Description	No. Used	Ref. No.	Part No.	Description	No. Used
2	115357190	Flywheel	1	5	010109330	Screw	4
3	115376150	Gear - Ring	1				

NOTE: Obtain replacement parts from your local Perkins Dealer.

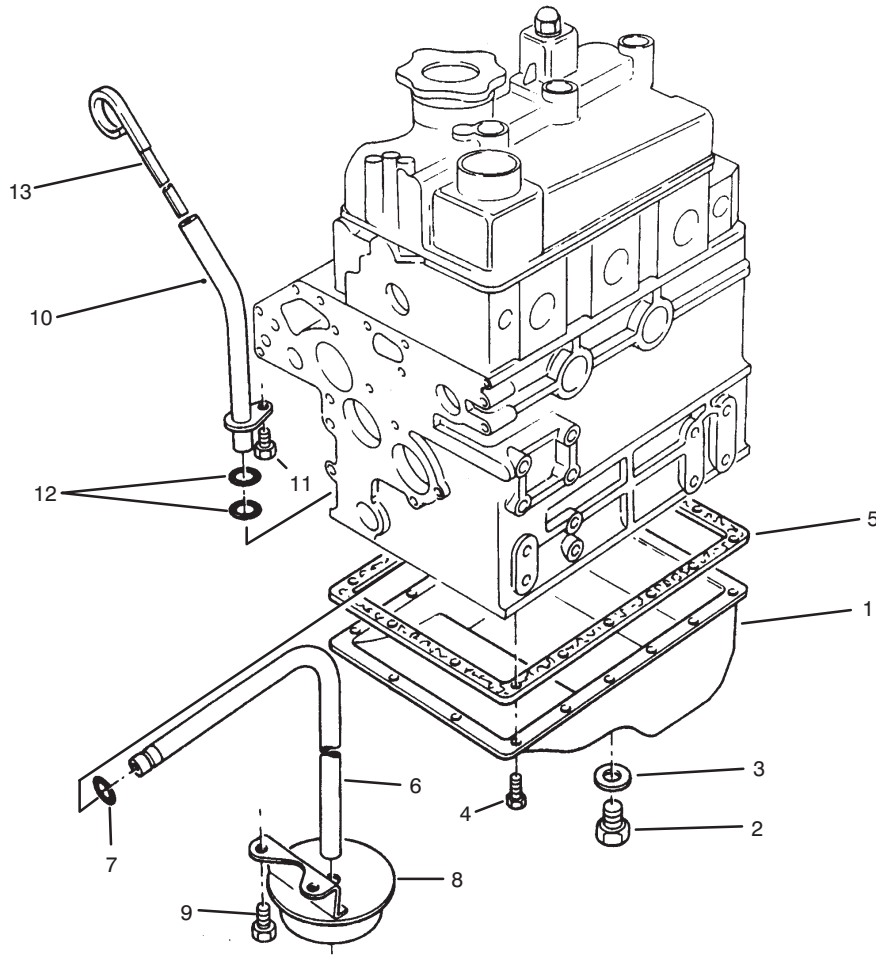


T-2191

STARTER INSTALLATION ASSEMBLY

Ref. No.	Part No.	Description	No. Used	Ref. No.	Part No.	Description	No. Used
1	185086400	Startermotor	1	2	011401020	Screw	2

NOTE: Obtain replacement parts from your local Perkins Dealer.



T-1390A

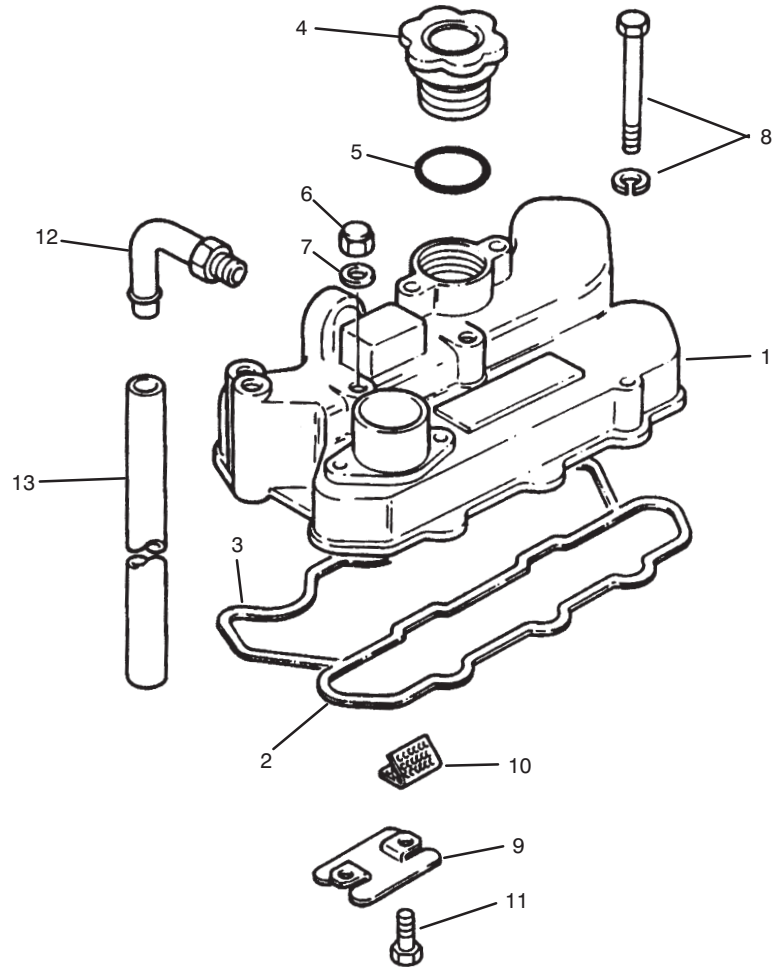
OIL SUMP ASSEMBLY

Ref. No.	Part No.	Description	No. Used
1	110706860	Sump	1
2	010401212	Plug	2
3	025100012	Washer	2
4	010109235	Screw	18
5	110996590	Gasket	1
6	140986590	Pipe	1
7	052109076	Seal - O-Ring	1

Ref. No.	Part No.	Description	No. Used
8	140406310	Strainer	1
9	011300612	Bolt	2
10	110756380	Tube	1
11	011300812	Screw	1
*	011300612	Bolt	1
12	052100100	Seal - O-Ring	2
13	198416371	Dipstick	1

NOTE: Obtain replacement parts from your local Perkins Dealer.

*Not Illustrated

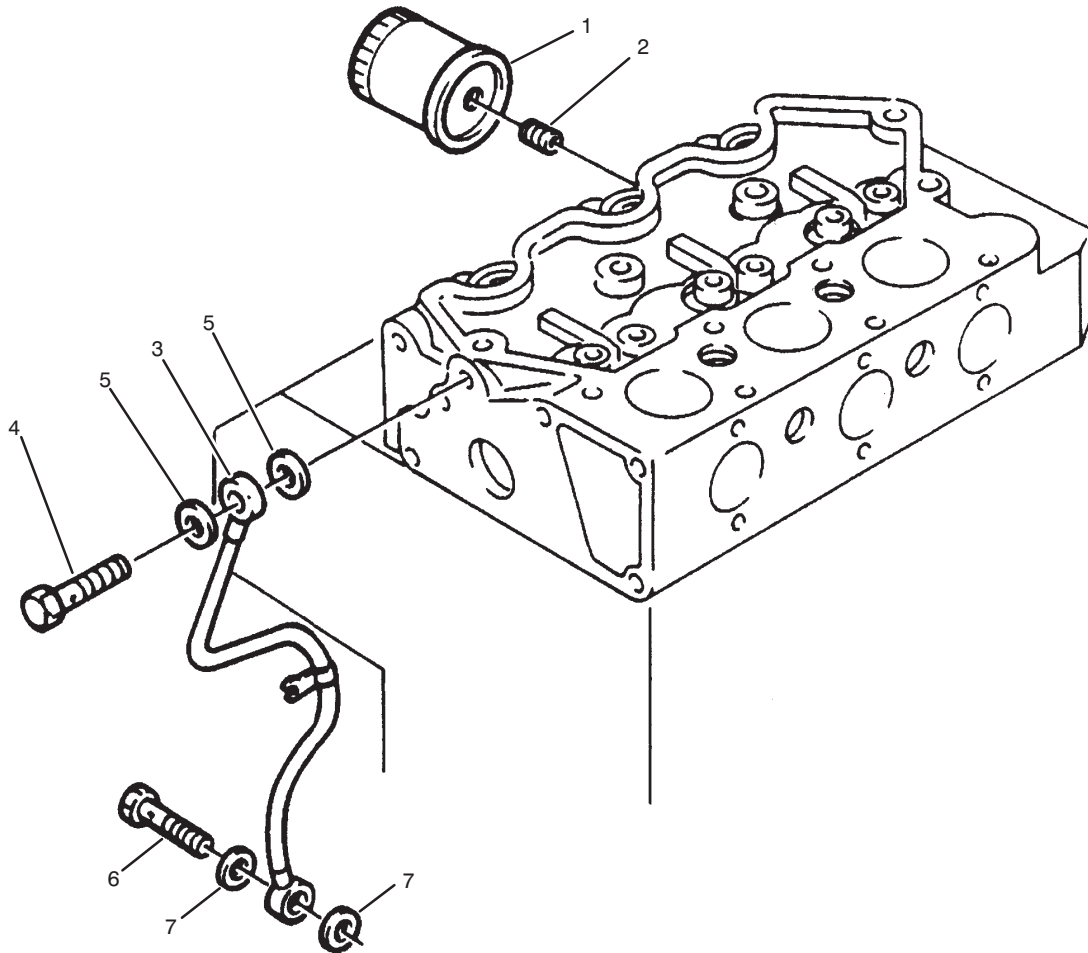


T-1391

VALVE COVER ASSEMBLY

Ref. No.	Part No.	Description	No. Used	Ref. No.	Part No.	Description	No. Used
1	111026371	Cover	1	8	011300650	Screw	2
2	111996330	Gasket	1	9	110666110	Plate	1
3	111996060	Gasket	1	10	110666120	Gauze	1
4	198436010	Cap	1	11	011300612	Bolt	2
5	052100400	Seal	1	12	110986500	Pipe	1
6	024500008	Nut	3	13	068122560	Hose	1
7	198996060	Washer	3				

NOTE: Obtain replacement parts from your local Perkins Dealer.
 *Not Illustrated



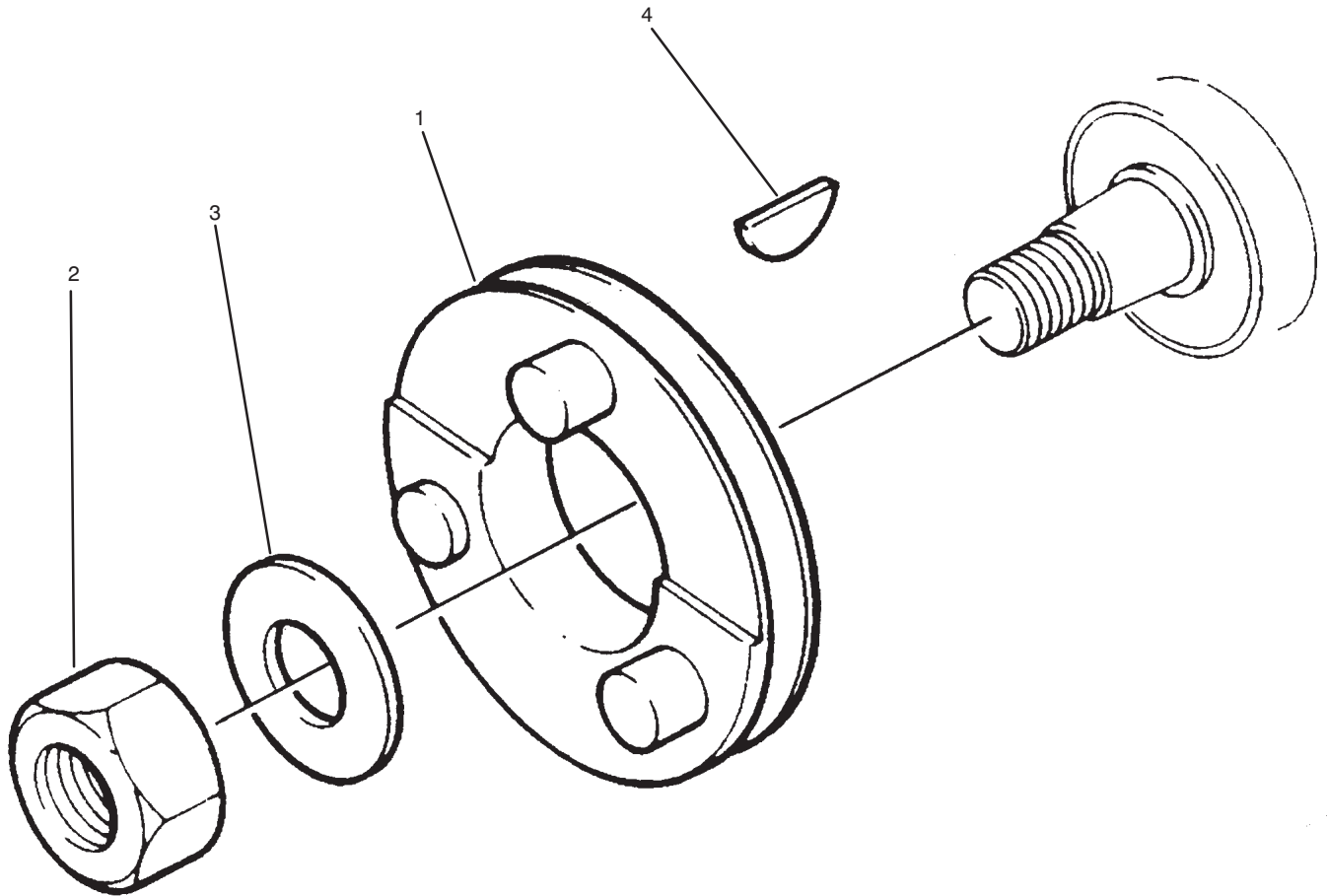
T-1392

OIL FILTER ASSEMBLY

Ref. No.	Part No.	Description	No. Used
1	140516190	Filter – Oil	1
2	140546020	Connection	1
3	140606680	Pipe	1
4	198486780	Bolt	1

Ref. No.	Part No.	Description	No. Used
5	198996060	Washer	2
6	198486780	Bolt	1
7	198996060	Washer	2

NOTE: Obtain replacement parts from your local Perkins Dealer.

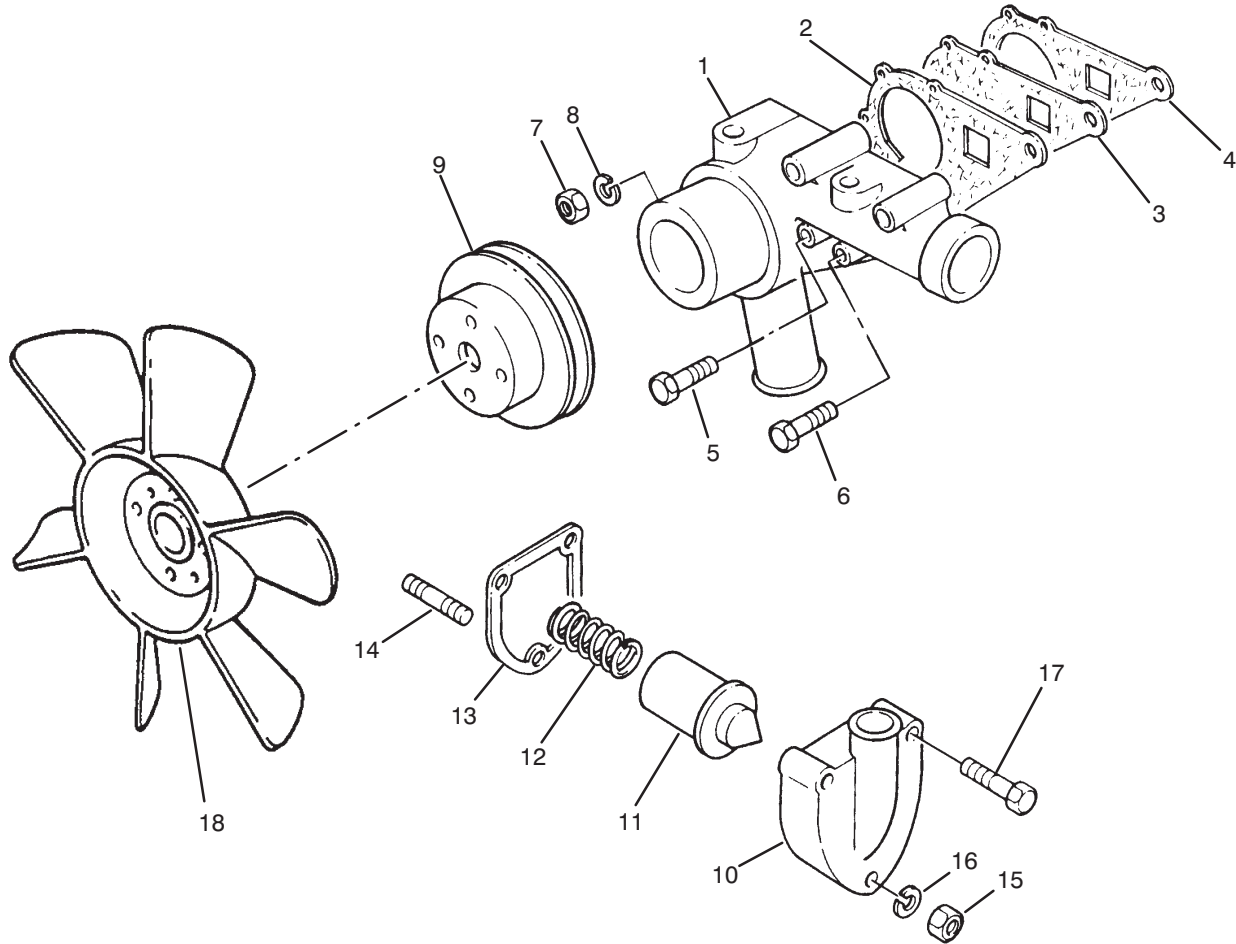


T-1393

FRONT DRIVE PULLEY ASSEMBLY

Ref. No.	Part No.	Description	No. Used	Ref. No.	Part No.	Description	No. Used
1	115396742	Pulley	1	3	026200018	Washer	1
2	020800018	Nut	1	4	134100508	Key	1

NOTE: Obtain replacement parts from your local Perkins Dealer.



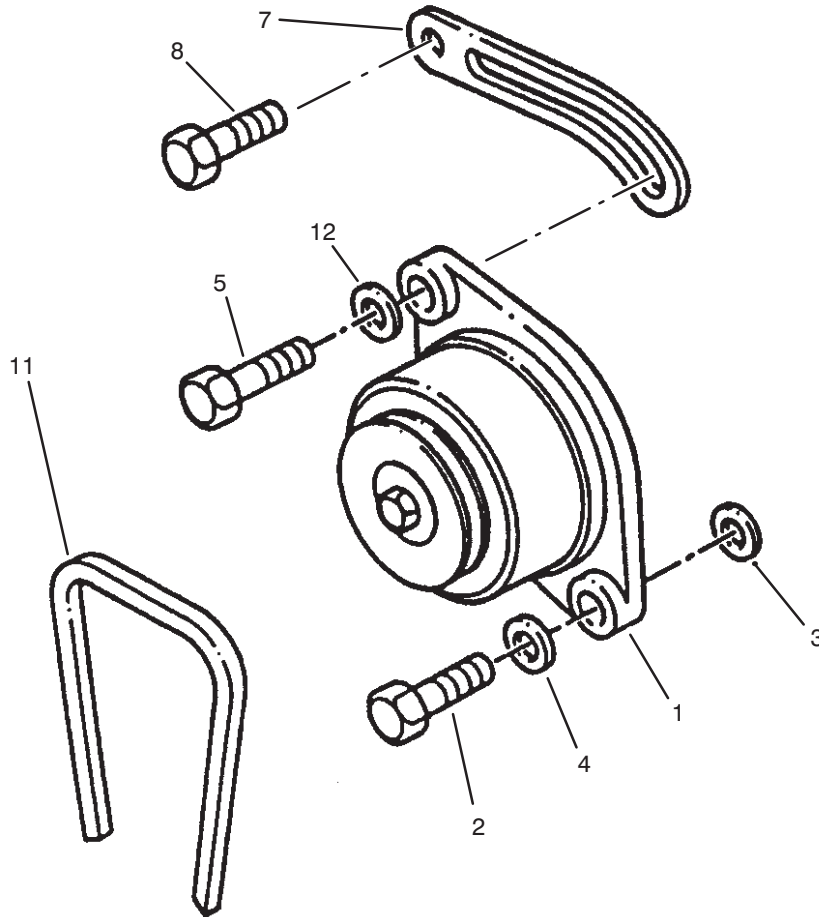
T-2177

WATER PUMP ASSEMBLY

Ref. No.	Part No.	Description	No. Used
1	145017400	Pump – Water	1
2	145996430	Gasket	1
3	145146270	Backplate	1
4	145996420	Gasket	1
5	011300635	Screw	3
6	011300650	Screw	4
7	023100006	Nut	1
8	027100006	Washer	1
9	145336490	Pulley	1

Ref. No.	Part No.	Description	No. Used
10	145216161	Housing	1
11	145206062	Thermostat	1
12	198217410	Spring	1
13	145996440	Gasket	1
14	012100650	Stud	1
15	023100006	Nut	1
16	027100006	Washer	1
17	011300650	Screw	2
18	145306590	Fan	1

NOTE: Obtain replacement parts from your local Perkins Dealer.

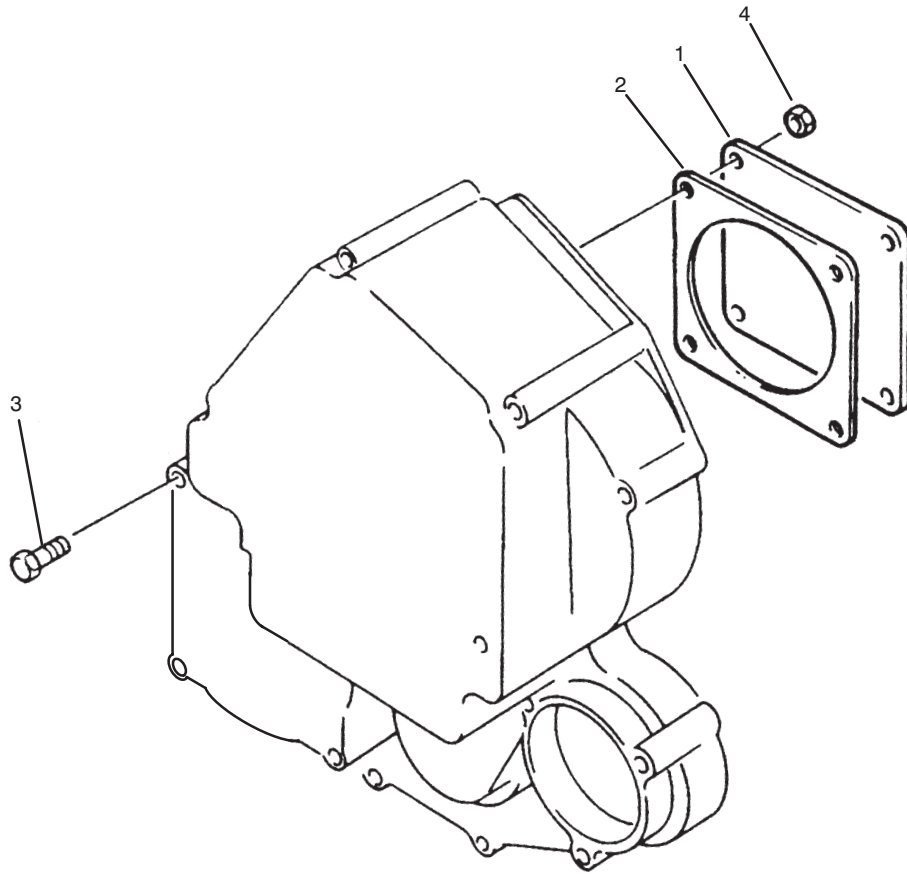


T-2192

ALTERNATOR ASSEMBLY

Ref. No.	Part No.	Description	No. Used	Ref. No.	Part No.	Description	No. Used
1	185046300	Alternator	1	7	185726910	Lever	1
2	010110850	Screw	1	8	011300816	Screw	1
3	199236850	Washer	1	11	080109083	Belt	1
4	026109017	Washer	1	12	026109017	Washer	1
5	011310825	Screw	1				

NOTE: Obtain replacement parts from your local Perkins Dealer.



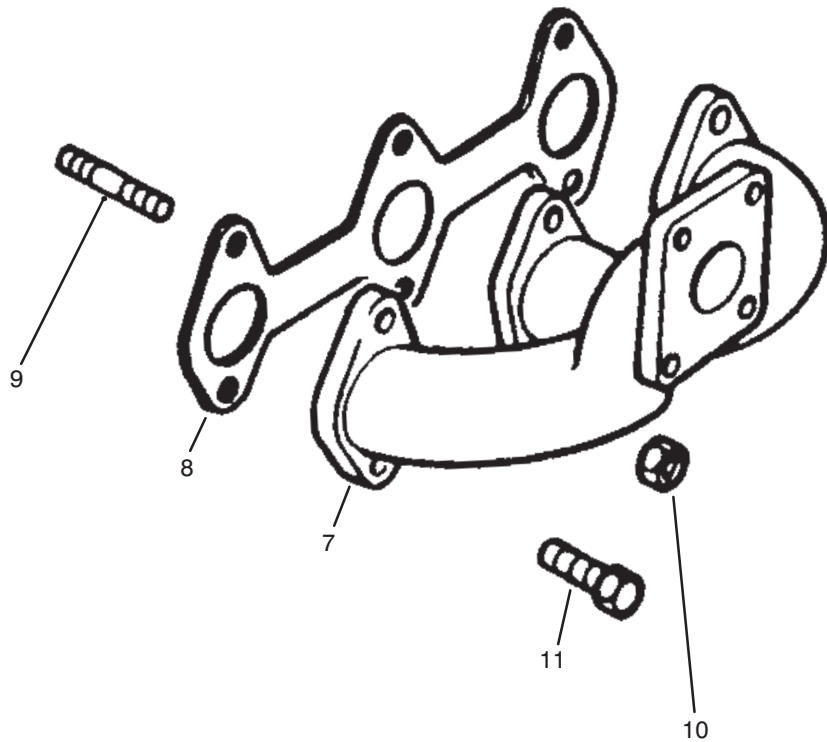
T-1398

TIMING COVER PLATE ASSEMBLY

Ref. No.	Part No.	Description	No. Used
1	165206360	Plate	1
2	165996420	Gasket	1

Ref. No.	Part No.	Description	No. Used
3	010110850	Screw	4
4	023100008	Nut	4

NOTE: Obtain replacement parts from your local Perkins Dealer.



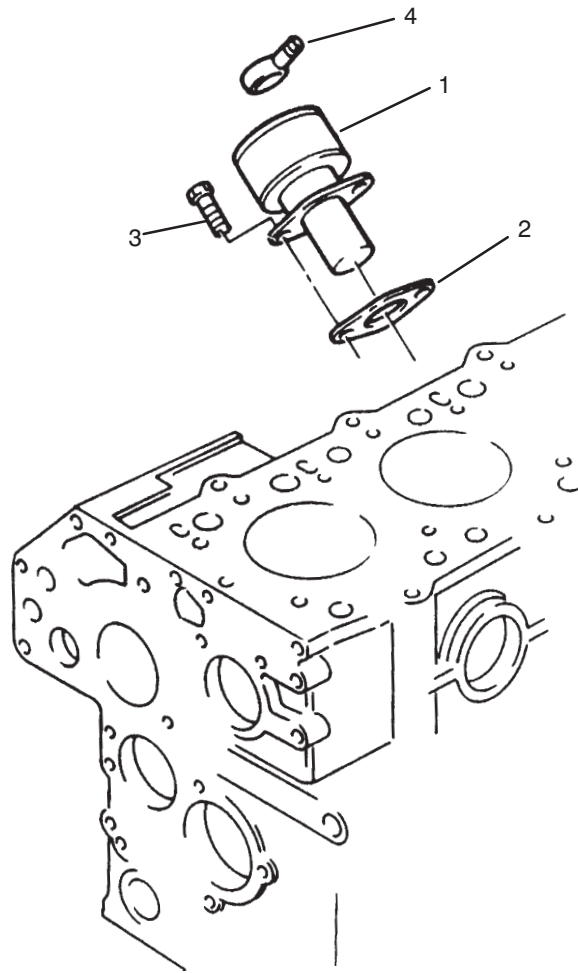
T-2193

EXHAUST MANIFOLD ASSEMBLY

Ref. No.	Part No.	Description	No. Used
7	135616620	Manifold – Exhaust	1
8	135996520	Gasket	1
9	012110625	Stud	3

Ref. No.	Part No.	Description	No. Used
10	023100006	Nut	3
11	011310625	Screw	3

NOTE: Obtain replacement parts from your local Perkins Dealer.

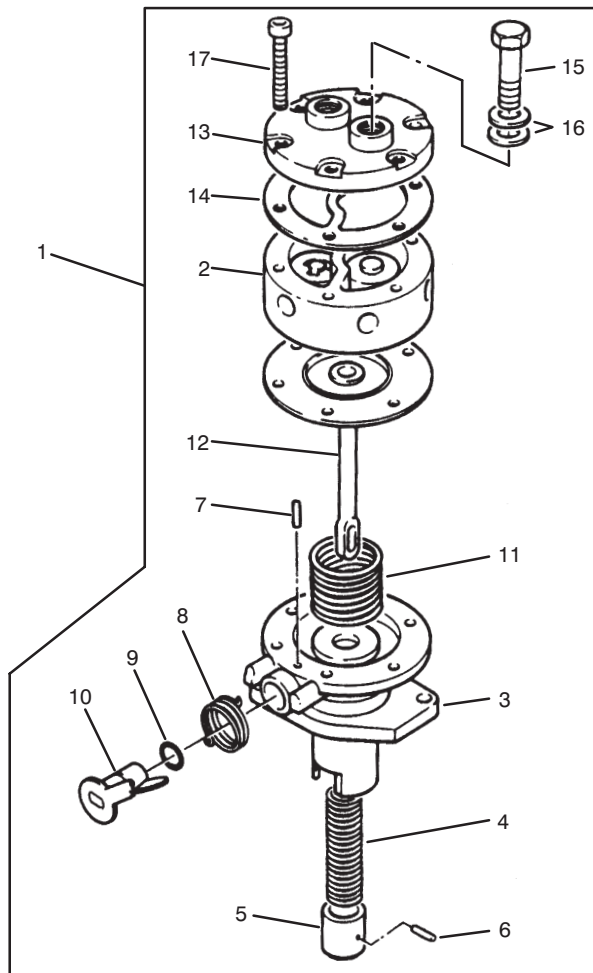


T-2179

LOW PRESSURE FUEL SYSTEM ASSEMBLY

Ref. No.	Part No.	Description	No. Used	Ref. No.	Part No.	Description	No. Used
1	130506140	Pump – Lift	1	3	011140616	Screw	2
2	130996070	Gasket	1	4	198486840	Connection	2

NOTE: Obtain replacement parts from your local Perkins Dealer.

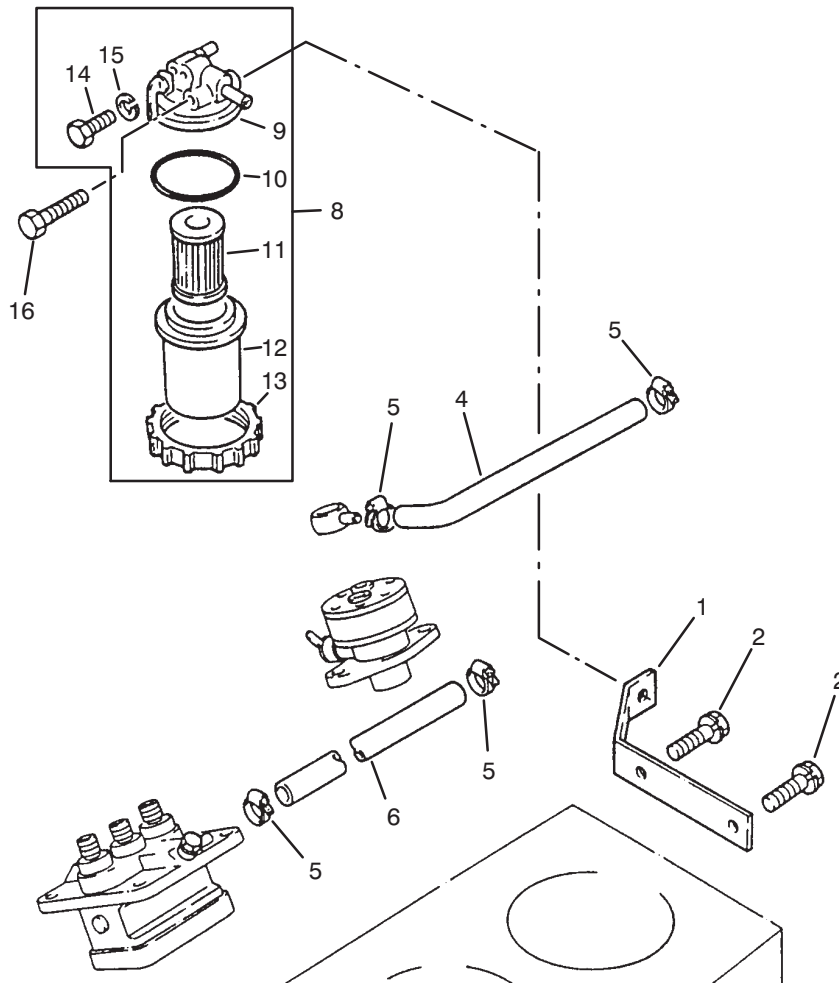


T-1401

LIFT PUMP ASSEMBLY

Ref. No.	Part No.	Description	No. Used	Ref. No.	Part No.	Description	No. Used
1	130506140	Lift Pump Assembly (Incl. Ref. #2)	1	9	131226180	Seal – O–Ring	1
2		Body	1	10	130516086	Lever	1
3	130516080	Body	1	11	130516087	Spring	1
4	130516081	Spring	1	12	130516084	Diaphragm	1
5	130516082	Plunger	1	13	130516090	Cap	1
6	130516085	Pin	1	14	130516089	Gasket	1
7	130516088	Pin	1	15	130516092	Bolt	2
8	130516083	Spring	1	16	130516069	Washer	4
				17	130516091	Screw	6

NOTE: Obtain replacement parts from your local Perkins Dealer.



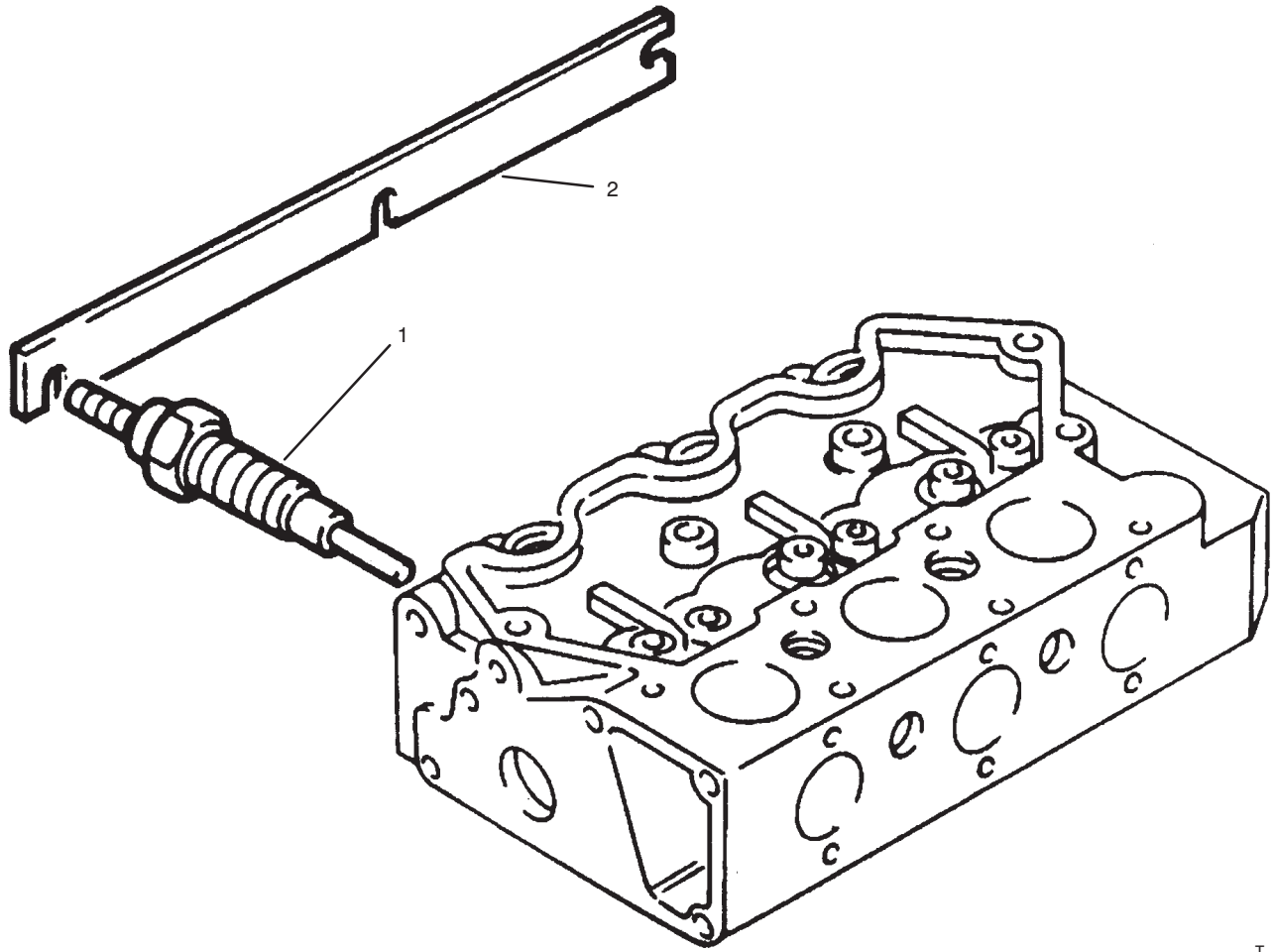
T-2180

FUEL FILTER ASSEMBLY

Ref. No.	Part No.	Description	No. Used
1	130976222	Bracket	1
2	011310816	Screw	1
4	068207224	Pipe – Fuel	1
5	198346020	Clip	4
6	068207400	Pipe – Fuel	1
8	130306041	Fuel Filter Assembly (Incl. Ref. #9)	1
9		Head – Filter	1

Ref. No.	Part No.	Description	No. Used
10	052100440	Seal – O–Ring	1
11	130336040	Element – Filter	1
12	130336031	Container	1
13	130446090	Ring	1
14	130446080	Plug	2
15	130326120	Washer	2
16	010100865	Screw	1

NOTE: Obtain replacement parts from your local Perkins Dealer.



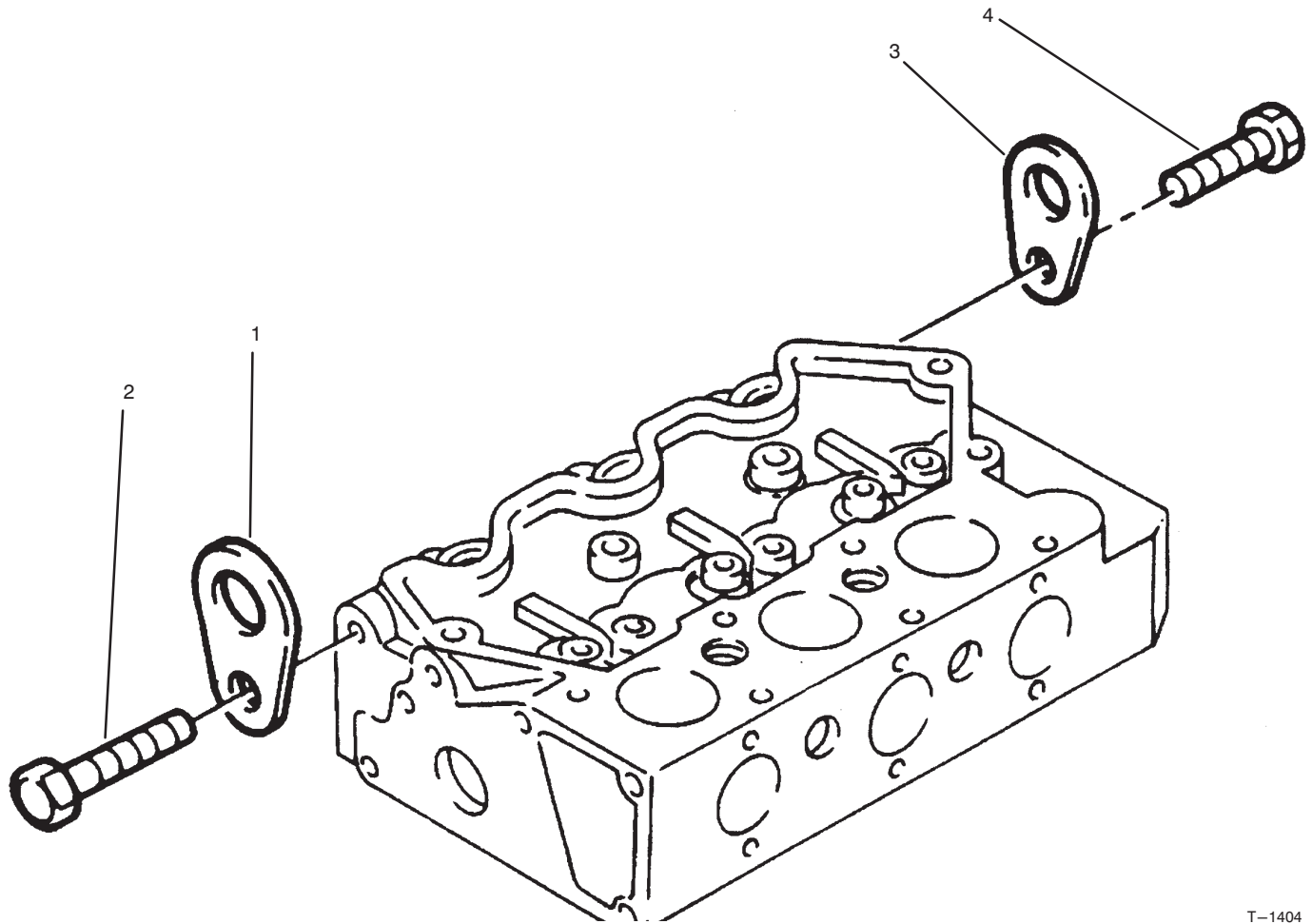
T-1403

COLD START SYSTEM ASSEMBLY

Ref. No.	Part No.	Description	No. Used
1	185366190	Heater	3

Ref. No.	Part No.	Description	No. Used
2	185376170	Bar	1

NOTE: Obtain replacement parts from your local Perkins Dealer.



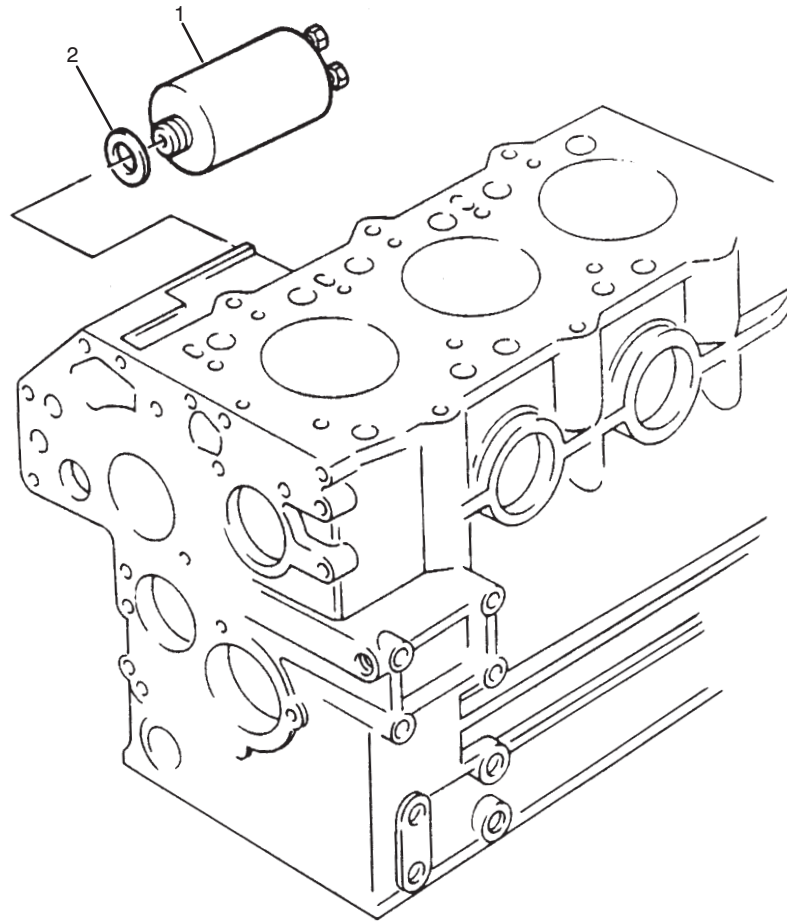
T-1404

ENGINE LIFTING TAB ASSEMBLY

Ref. No.	Part No.	Description	No. Used
1	195816200	Plate	1
2	011310816	Screw	1

Ref. No.	Part No.	Description	No. Used
3	195816200	Plate	1
4	011310816	Screw	1

NOTE: Obtain replacement parts from your local Perkins Dealer.

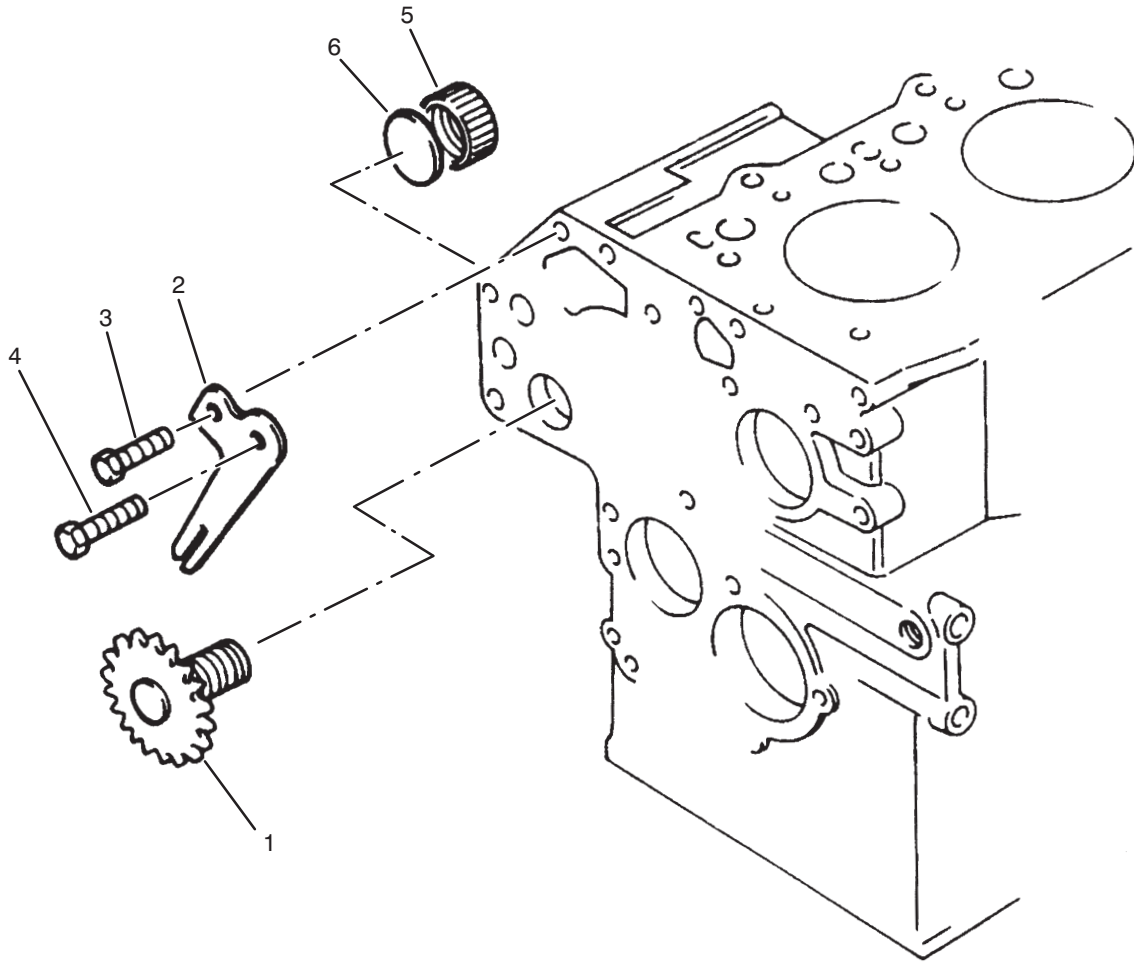


T-1405

THROTTLE STOP ASSEMBLY

Ref. No.	Part No.	Description	No. Used	Ref. No.	Part No.	Description	No. Used
1	185206082	Solenoid	1	2	025100016	Washer	1

NOTE: Obtain replacement parts from your local Perkins Dealer.



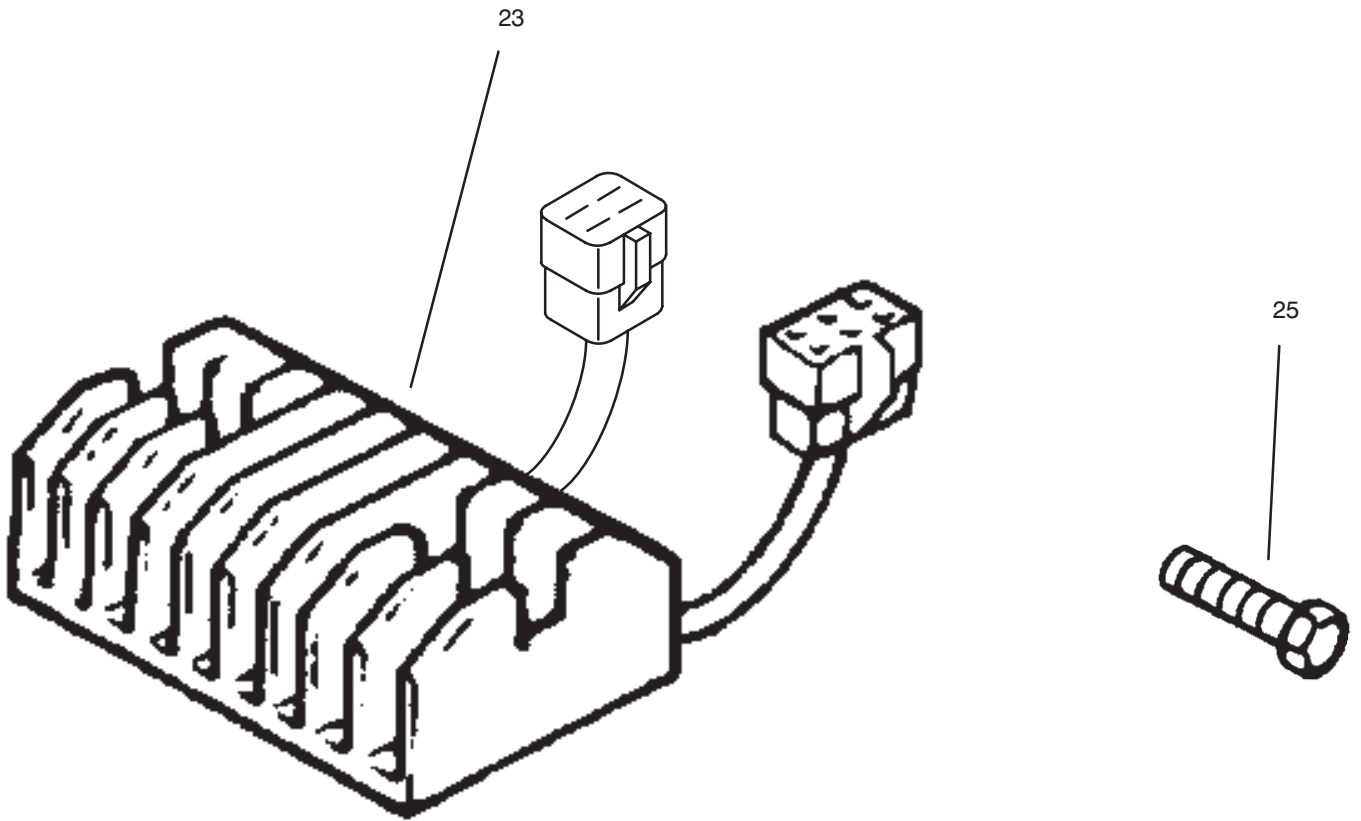
T-1406

RECORDER ASSEMBLY

Ref. No.	Part No.	Description	No. Used
1	120076070	Shaft	1
2	199566651	Plate	1
3	011310612	Screw	1

Ref. No.	Part No.	Description	No. Used
4	010700610	Screw	1
5	199376230	Cap	1
6	120996060	Seal	1

NOTE: Obtain replacement parts from your local Perkins Dealer.



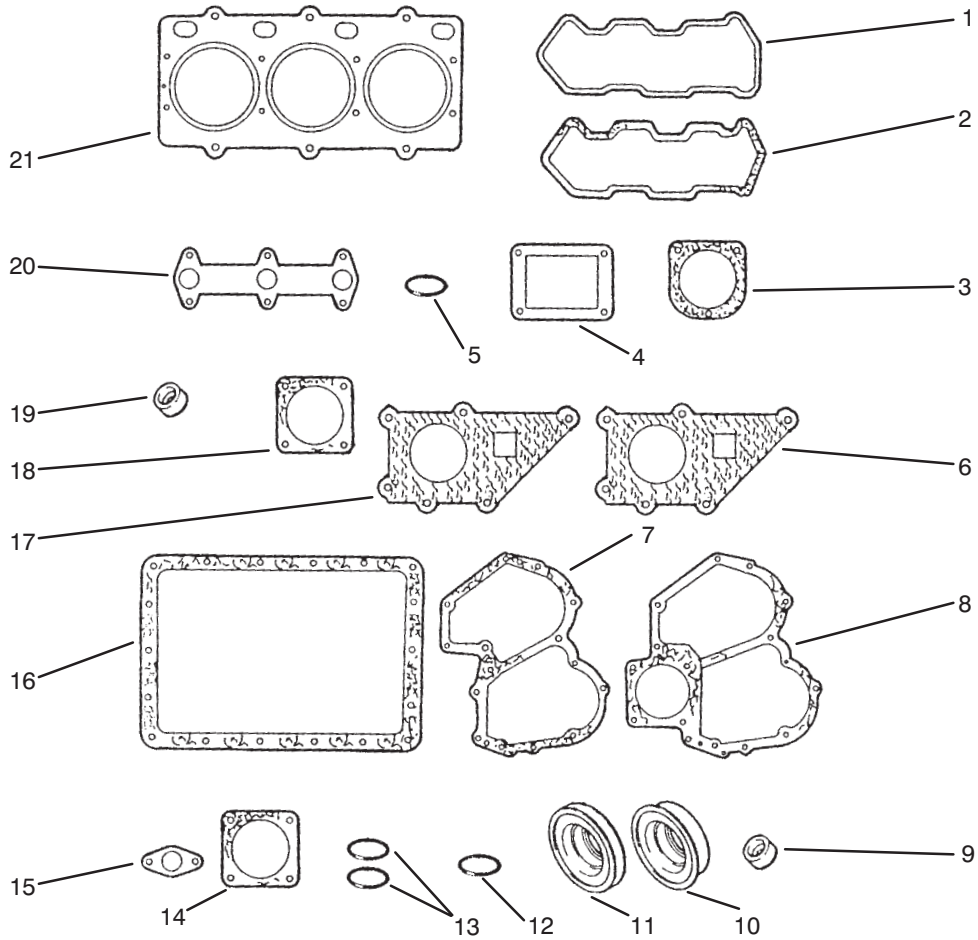
T-2194

ELECTRICAL COMPONENT ASSEMBLY

Ref. No.	Part No.	Description	No. Used
23	185516140	Regulator	1

Ref. No.	Part No.	Description	No. Used
25	011310825	Screw	4

NOTE: Obtain replacement parts from your local Perkins Dealer.



T-1970

GASKET AND SEALS

Ref. No.	Part No.	Description	No. Used
1	111996060	Gasket	1
2	111996330	Gasket	1
3	145996440	Gasket	1
4	130996070	Gasket	1
5	052100400	Seal	1
6	145996430	Gasket	1
7	165996400	Gasket	1
8	165996410	Gasket	1
9	131426200	Gasket	3
10	198636080	Seal	1
11	198636090	Seal	1
12	052109076	O-Ring	1

Ref. No.	Part No.	Description	No. Used
13	052100100	O-Ring	2
14	165996420	Gasket	1
15	130996070	Gasket	1
16	110996590	Gasket	1
17	145996420	Gasket	1
18	314990013	Gasket	1
19	120406080	Seal	3
20	135996520	Gasket	1
21	111147390	Gasket	1
*	195906840	Kit - Gasket & Seals (Incl. Ref. #1-21)	1

NOTE: Obtain replacement parts from your local Perkins Dealer.

*Not Illustrated

TORO PART NUMBER INDEX

3317-790 Rev. B

Part No.	Description	Pg. No.	Ref. No.	Qty.	Part No.	Description	Pg. No.	Ref. No.	Qty.
2844	Washer	24	36	3	74-5950	Latch - Swell	18	11	2
3-6498	Washer - Thrust	24	12	1	74-9100	Pad - Pedal Forward	2	3	1
5-3934	Bolt	7	5	1	74-9110	Pad - Pedal Reverse	2	2	1
10-6060	Pin - Ram Pivot	29	5	2	75-2010	Cartridge - Relief 2000 psi	14	8	1
10-6821	Brake Drum Assembly	3	*	2	75-2080	Seal Kit	14	*	5
10-6830	Stud - Drive	7	28	4	75-2090	Seal Kit	14	*	1
10-6850	Drum - Brake	3	3	2	75-3420	Lever - Control	10	7	1
10-6870	Hub - Wheel	3	24	2	75-5470	Spacer	24	15	1
10-7880	Hinge - Upper	1	11	1	75-5470	Spacer	11	17	1
10-7890	Hinge - Lower	1	12	1	75-9440	Hub - Wheel	7	6	1
17-9420	Screw - Handle	2	18	1	76-0800	Seal Kit	4	*	1
18-6320	Washer - Steering	7	3	3	76-0810	Housing Assembly	4	*	1
18-6380	Pin	24	18	1	76-0840	Manifold	4	22	1
26-3790	Nut - Lock	3	14	2	76-0850	Bearing - Thrust	4	12	1
27-2360	Switch - Ignition	10	13	1	76-0860	Shaft - Coupling	4	11	1
27-6600	Spacer - Coupling	19	9	4	76-0870	Plate - Wear	4	18	1
28-3680	Tire	3	2	2	76-0880	Commutator Assembly	4	*	1
28-3680	Tire	7	7	1	76-0940	End Cover Assembly	4	24	1
33-3720	Washer	23	33	1	76-6070	Rotating Kit Assembly	23	11	1
33-3750	Race - Inner	23	28	1	76-6080	Seal - Cover	23	5	1
39-2080	Dump Valve Assembly	23	21	1	76-6090	Cover - Trunion	23	25	1
41-4430	Plate - Washer	33	21	3	76-6100	Cover - Trunion O-Ring	23	26	1
42-2720	Seal - Shaft	23	34	1	76-6140	O-Ring	23	27	1
43-6280	Button - Push	10	28	1	76-6150	Pin - Dowel	23	15	2
43-6420	Bezel	10	29	1	76-6160	Screw - Cap	23	23	2
47-2890	Bushing	5	12	2	76-6170	Screw - Cap	23	22	2
47-6990	Nut - Steering Wheel	5	6	1	76-6180	Washer	23	7	2
48-9510	Nut - Lock	25	24	1	76-6190	Seal - Shaft	23	6	1
49-6440	Pedal - Accelerator	2	4	1	76-6200	Spring	23	19	2
56-2230	Hose - Fuel	16	24	1	76-8870	Lever Damper Assembly	24	4	1
56-2520	Fitting - Fuel Shut Off	16	9	1	80-8650	Coupling - Rubber	19	8	1
60-6330	Screw	23	4	4	81-1690	Clamp - Throttle Cable	33	33	1
63-2290	Washer - Thrust	31	19	1	83-0730	Spacer - Lockup	5	8	1
63-8360	Key - Ignition	10	6	2	83-0740	Disc - Friction	5	4	2
63-8410	Washer - Flat	16	4	3	83-0760	Spacer - Lockup	5	3	1
63-8410	Washer - Flat	17	12	4	83-0810	Cover - Steering Valve	5	16	1
63-9750	Mount - Rubber	24	35	3	83-1030	Mount - Engine	33	18	3
65-6390	Washer - Thrust	5	24	1	83-1420	Steering Column Assembly	5	15	1
65-8320	Bar - Gauge	29	*	1	83-1700	Bushing - Flange	1	15	3
66-2490	Retainer - Battery	15	7	1	84-2000	Bracket - Brake	3	6	2
66-2750	Battery	15	6	1	85-6540	Stud - Drive	3	25	8
66-2950	Gauge - Hour Meter	10	4	1	85-9190	Plate - Control	10	10	1
66-3240	Cap - Radiator	18	30	1	85-9720	Fitting - Hydraulic	31	17	1
66-8800	Relay - Glow Plug	15	11	1	86-5390	Kit - Seal, Repair	30	*	1
68-3270	Bumper	15	28	2	86-5390	Kit - Seal, Repair	32	*	1
68-5130	Wheel - Steering	5	5	1	88-1270	Decal - Safety	15	14	1
68-5140	Cap - Steering Wheel	5	27	1	88-7200	Washer - Pivot	24	7	1
68-6150	Breather - Air	17	20	1	88-9190	Solenoid - 20 Watt	14	1	4
69-2260	Seal - Load	21	2	2	92-2538	Timer - Glow Plug	10	17	2
69-2270	Seal - Pre-Load	21	1	2	92-3154	Tab - Throttle	33	24	1
69-2350	Ring - Sealing	21	3	2	92-3188	Diode - Circuit Board	10	15	1
69-4240	Seal Kit	14	*	1	92-3188	Diode - Circuit Board	15	39	1
69-9000	Spacer	27	10	4	92-5753	Clamp - Hose Double	15	26	2
69-9000	Spacer	26	12	4	92-5753	Clamp - Hose, Double	33	42	1
69-9010	Washer	27	9	8	92-5838	Ball Joint	7	10	2
69-9010	Washer	26	11	8	92-6280	Seat	8	1	1
70-1240	Plug Assembly	23	18	2	92-6315	Cartridge - N.C.	14	9	1
70-1480	Relay	15	1	8	92-8020	Adapter - Breather	17	36	1
70-9840	Shoe - Brake	3	27	4	92-8795	Assembly - Body	28	10	1
70-9850	Clip - Retaining	3	29	2	92-8796	Pin - Dowel	28	14	2
70-9860	Cam - Brake	3	26	2	92-8863	Repair Kit	28	*	1
70-9870	Plate - Backing	3	28	2	92-8990	Adjuster - Seat	8	13	1
70-9880	Spring - Return	3	4	4	92-8991	Adjuster w/Latch	8	14	1
71-1500	Brake Assembly	3	*	2	92-8995	Bushing - Straight	31	5	2
72-9760	Switch - Override	10	16	1	92-8995	Bushing - Straight	29	25	4
74-0720	Tube - Manual	8	16	1	92-9199	Hydraulic Motor - Wheel	3	10	2
74-3730	Spacer - Cylinder	7	20	2	92-9761	Link - Drive	4	13	7
74-3810	Assembly - Load Plate	28	9	1	92-9762	Screw - Cap Hex. Hd.	4	14	1

*Not Illustrated

TORO PART NUMBER INDEX (Cont.)

Part No.	Description	Pg. No.	Ref. No.	Qty.	Part No.	Description	Pg. No.	Ref. No.	Qty.
92-9763	Rotor Set	4	*	1	93-2230	Hose - Fuel	33	36	1
92-9775	Warning Light Cluster	10	5	1	93-2233	Decal - GR3200	7	22	2
93-1375	Reel Motor	27	5	1	93-2235	Tank - Hydraulic	17	6	1
93-1375	Reel Motor	26	13	2	93-2236	Mount - Oil Filter	17	10	1
93-2010	Frame	1	4	1	93-2238	T-Block	26	18	1
93-2016	Hose - Radiator	18	23	1	93-2240	Manifold Assembly	13	1	1
93-2018	Hose - Radiator	18	17	1	93-2242	Filter Assembly - Oil	17	8	1
93-2020	Bracket - Support	33	14	1	93-2246	Hydraulic Cylinder Assembly	29	1	2
93-2031	Hose - Radiator	18	2	1	93-2252	Hose Assembly	19	23	1
93-2035	Hose - Air Cleaner	25	18	1	93-2252	Hose Assembly	5	31	1
93-2035	Hose - Air Cleaner	15	34	1	93-2254	Hose Assembly	13	20	2
93-2035	Hose - Air Cleaner	18	34	1	93-2254	Hose Assembly	29	24	2
93-2036	Clamp - Air Hose	15	27	1	93-2255	Hose Assembly	29	3	1
93-2042	Hose - Fuel	33	10	1	93-2255	Hose Assembly	13	26	1
93-2043	Hose - Fuel	33	9	1	93-2255	Hose Assembly	15	36	1
93-2048	Cap - Overflow Tank	16	19	1	93-2256	Hose Assembly	29	4	1
93-2049	Tank - Overflow	16	21	1	93-2256	Hose Assembly	13	25	1
93-2050	Screen	18	10	1	93-2256	Hose Assembly	15	35	1
93-2055	Reed Switch - Sensor	11	9	2	93-2258	Hose Assembly	31	20	1
93-2056	Reed Switch - Actuator	11	10	1	93-2258	Hose Assembly	13	24	1
93-2058	Bracket - Traction	11	15	1	93-2259	Hose Assembly	27	4	2
93-2064	Spring - Detent	11	16	1	93-2260	Hose - Expansion Tank	16	5	1
93-2068	Hose - Pump Inlet	19	24	1	93-2260	Hose - Expansion Tank	18	25	1
93-2068	Hose - Pump Inlet	17	31	1	93-2262	Hose Assembly	26	15	2
93-2069	Rod - Brake	3	12	2	93-2263	Hose Assembly	26	17	2
93-2069	Rod - Brake	1	14	2	93-2264	Hose Assembly	26	14	2
93-2070	Clevis - Swivel	3	21	2	93-2269	Hose Assembly	7	16	1
93-2071	Fitting - Hydraulic Barb	18	3	2	93-2269	Hose Assembly	15	30	1
93-2072	Shield - Wheel RH	1	17	1	93-2269	Hose Assembly	5	32	1
93-2073	Shield - Wheel LH	1	16	1	93-2270	Hose Assembly	7	14	1
93-2075	Brake Pedal	1	21	1	93-2270	Hose Assembly	15	29	1
93-2080	Brake Latch	1	13	1	93-2270	Hose Assembly	5	33	1
93-2085	Rod	2	1	1	93-2271	Hose Assembly	13	13	1
93-2092	Clamp - Cable	2	31	1	93-2271	Hose Assembly	5	34	1
93-2096	Lever - Brake	3	13	2	93-2272	Hose Assembly	13	14	1
93-2099	Cable - Traction Control	2	16	1	93-2272	Hose Assembly	5	30	1
93-2099	Cable - Traction Control	24	29	1	93-2275	Screen - Filler	17	17	1
93-2103	Bushing - Straight	24	10	1	93-2276	Spring - Brake Latch	1	2	1
93-2111	Stud - Traction	24	13	1	93-2279	Clamp - Cable	11	2	1
93-2115	Steering Arm	5	19	1	93-2279	Clamp - Cable	2	34	1
93-2120	Steering Control Valve	5	23	1	93-2298	Hose - Fuel	16	23	1
93-2122	Cylinder Asm - Steering	7	13	1	93-2298	Hose - Fuel	33	35	1
93-2123	Bracket - Fuse Block	15	19	1	93-2299	Fitting - Fuel	16	11	1
93-2125	Castor Fork	7	4	1	93-2300	Radiator	18	4	1
93-2128	Panel - Seat Base	8	5	1	93-2310	Radiator Support	18	8	1
93-2133	Ball Joint	31	15	1	93-2320	Shroud - Fan	18	19	1
93-2133	Ball Joint	29	20	2	93-2322	Cable - Throttle Control	33	40	1
93-2135	Support - Seat	8	4	1	93-2322	Control - Throttle	10	9	1
93-2141	Plate - Floor	2	9	1	93-2340	Harness - Wire	10	26	1
93-2142	Pad - Floor Plate	2	8	1	93-2340	Wire Harness	15	23	1
93-2150	Engine - Perkins	33	1	1	93-2340	Wire Harness	33	38	1
93-2151	Plate - Backing	33	3	1	93-2343	Cable - Battery Positive	15	21	1
93-2152	Adapter - Fan	33	2	1	93-2343	Cable - Battery Positive	33	39	1
93-2155	Engine Mount - Front	33	13	1	93-2344	Cable - Battery Negative	15	22	1
93-2160	Engine Mount - Rear	33	11	1	93-2344	Cable - Battery Negative	33	37	1
93-2169	Bracket - Relay	15	4	1	93-2350	Carrier - Center	31	7	1
93-2170	Pump Adapter	19	10	1	93-2360	Carrier - LH	29	12	1
93-2173	Plate - Pump	33	27	1	93-2361	Bushing - Flange	31	6	2
93-2177	Spacer - Upper	33	28	2	93-2361	Bushing - Flange	29	10	4
93-2178	Spacer - Lower	33	29	2	93-2362	Roller - Anti Scalp	31	11	4
93-2183	Pipe - Exhaust	25	12	1	93-2362	Roller - Anti Scalp	29	17	8
93-2185	Exhaust Bracket	25	11	1	93-2363	Shaft - Roller	31	12	2
93-2190	Air Cleaner Assembly	25	6	1	93-2363	Shaft - Roller	29	16	4
93-2191	Mounting Band Assembly	25	5	1	93-2368	Bushing - Flange	31	10	2
93-2195	Element - Air Cleaner	25	*23	1	93-2368	Bushing - Flange	29	14	4
93-2199	Screw - HH	5	9	1	93-2369	Carrier - RH	29	11	1
93-2225	Tank - Fuel	16	2	1	93-2380	Pin	29	6	2
93-2230	Hose - Fuel	16	12	1	93-2384	Spacer - Carrier	29	28	2

*Not Illustrated

TORO PART NUMBER INDEX (Cont.)

Part No.	Description	Pg. No.	Ref. No.	Qty.	Part No.	Description	Pg. No.	Ref. No.	Qty.
93-2400	Lockup Handle	5	2	1	94-1369	Spring - Ext.	24	17	1
93-2403	Lift Arm - Center	31	4	1	94-1371	Spacer	2	11	1
93-2405	Lift Arm - RH	29	21	1	94-1372	Bracket - Mow	2	20	1
93-2407	Lift Arm - LH	29	22	1	94-1373	Bracket - Lock	2	19	1
93-2422	Rod - Seat Pivot	8	10	2	94-1374	Trunion Mow Bracket	2	22	1
93-2423	Hose - Air Cleaner	25	17	1	94-1375	Trunion Lock Bracket	2	21	1
93-2424	Bracket - Cooler Lower	18	13	2	94-1378	Tube - Handle Pivot	11	11	1
93-2425	Bracket - Cooler Upper	18	5	2	94-1383	Pedal Pivot	2	12	1
93-2437	Plug - Serrated	17	24	1	94-1386	Shaft - Pedal Lock	2	23	1
93-2438	Clamp - Fuel Tank	17	3	1	94-1390	Screw - Shoulder	33	17	1
93-2509	Clamp - Tube	26	3	2	94-1398	Tube - Pivot	31	22	1
93-2551	Seal - Basket	29	37	2	94-1414	Valve	25	22	1
93-2551	Seal - Basket	31	38	1	94-2579	Decal - Toro	8	27	1
93-2552	Retainer	29	36	2	94-2627	Cartridge	14	3	1
93-2552	Retainer	31	37	1	94-3011	Plug	22	18	1
93-2553	Grass Basket Assembly	29	35	2	94-3452	Pin - Cylinder	31	21	1
93-2553	Grass Basket Assembly	31	36	1	94-3456	Tube - Pivot	24	2	1
93-2578	Shroud - Console	8	19	1	94-3461	Steering Cover	5	14	1
93-2586	Hydrostat	19	16	1	94-3473	Elbow Assembly - Radiator	18	26	1
93-2587	Gear Pump - 2 Section	19	28	1	94-3477	Hose Assembly	13	22	1
93-2589	Hub - Pump	19	4	1	94-3477	Hose Assembly	31	26	1
93-3102	Fuel Cap - Diesel	16	1	1	94-3480	Guard - Alternator	18	29	1
93-3614	Assembly - Cover	28	4	1	94-3483	Pull Arm	31	9	1
93-3615	Assembly - Drive Shaft	28	7	1	94-3483	Pull Arm	29	13	2
93-3616	Assembly - Idler Gear	28	6	1	94-3486	Plate	24	34	1
93-5447	Insert - Threaded	8	28	2	94-3488	Lever - Pump	24	6	1
93-6668	Decal - Battery	15	33	1	94-3489	Screw - HH	2	26	1
93-6681	Decal - Warning	18	6	1	94-3491	Bracket - Spring	24	19	1
93-6686	Decal - Hydraulic Oil	8	24	1	94-3641	Housing Assembly	23	29	1
93-6689	Decal - No Rider	8	26	1	94-3643	Plate - Cam	23	10	1
93-7160	Cap - Hydraulic Oil	17	5	1	94-3644	Seat	23	20	2
93-7252	Decal - CE Mark	8	33	1	94-3645	Key	23	1	1
93-7276	Decal - Danger	15	32	1	94-3646	Key	23	9	1
93-7494	Cartridge - N.O. Poppet	14	2	2	94-3652	Cover Assembly	25	21	1
93-7629	Pad - Foot Brake	1	22	1	94-3653	Bolt	25	15	1
93-7840	Decal - Radiator Cap	18	12	1	94-3654	Spring - Compression	25	16	1
93-8062	Decal - Parking Brake	1	5	1	94-3661	Seal Kit	14	*	1
93-8063	Decal - Warning	5	26	1	94-4353	Hose - Fuel	16	18	1
93-8064	Decal - Warning	29	29	2	94-4398	Kit - Seal, Repair	7	*32	1
93-8064	Decal - Warning	31	29	1	94-4517	Hose - Formed	17	21	1
93-8068	Decal - Steering Arm	5	20	1	94-4518	Hose - Assembly	17	22	1
93-8069	Decal - Hot Surface	25	9	1	94-4518	Tube - Hydraulic	13	27	1
93-9051	Decal - Eccentric Bolt	24	28	1	94-4519	Tube - Convuluted	15	38	1
94-1300	Neutral Lock	2	27	1	94-4527	Neutral Arm	24	11	1
94-1304	Cable - Neutral Lock	11	22	1	94-4528	Plug	18	14	2
94-1304	Cable - Neutral Lock	2	24	1	94-4538	Spacer - Mount	33	41	3
94-1307	Cable Support	24	9	1	94-4539	Hose Assembly	27	16	1
94-1312	Spacer - Pivot	24	5	1	94-4539	Hose Assembly	17	32	1
94-1316	Bracket - Bulkhead	27	6	1	94-4546	Panel - Extension	8	30	1
94-1317	Tube - Hydraulic	27	7	1	94-4547	Panel - Lower	8	20	1
94-1317	Tube - Hydraulic	13	15	1	94-4548	Bumper	29	7	2
94-1318	Tube - Hydraulic	26	20	1	94-4548	Bumper - Recessed	31	34	1
94-1318	Tube - Hydraulic	27	21	1	94-4561	Decal - Service (Danish)	8	25	1
94-1319	Tube - Hydraulic	26	21	1	94-4562	Decal - Service (Dutch)	8	25	1
94-1320	Tube - Hydraulic	26	22	1	94-4563	Decal - Service (Finnish)	8	25	1
94-1320	Tube - Hydraulic	13	34	1	94-4564	Decal - Service (French)	8	25	1
94-1321	Tube - Hydraulic	27	20	1	94-4565	Decal - Service (German)	8	25	1
94-1321	Tube - Hydraulic	26	23	1	94-4566	Decal - Service (Italian)	8	25	1
94-1325	Push Mount Tie	15	16	2	94-4567	Decal - Service (Japanese)	8	25	1
94-1328	Hose Assembly	27	8	1	94-4568	Decal - Service (Norwegian)	8	25	1
94-1332	Hose Assembly	19	27	1	94-4569	Decal - Service	8	25	1
94-1332	Hose Assembly	13	33	1	94-4570	Decal - Service (Spanish)	8	25	1
94-1339	Muffler Shield	25	8	1	94-4571	Decal - Service (Swedish)	8	25	1
94-1348	Hose - Tank	16	17	1	94-4828	Repair Kit	21	*	1
94-1349	Hose - Breather	18	24	1	94-4929	Kit - Seal	6	*	1
94-1351	Decal - Service	8	25	1	94-5350	Fitting - Bulkhead Tee	27	28	2
94-1353	Handle	11	7	1	94-5352	Retainer - Hose	27	29	1
94-1364	Plate	16	13	1	94-5353	Tube - Hydraulic	27	31	1

*Not Illustrated

TORO PART NUMBER INDEX (Cont.)

Part No.	Description	Pg. No.	Ref. No.	Qty.	Part No.	Description	Pg. No.	Ref. No.	Qty.
94-5354	Tube - Hydraulic	27	32	1	237-42	O-Ring	20	39	2
94-5355	Hose Assembly	19	26	1	237-58	O-Ring	13	28	1
94-5356	Hose Assembly	19	35	1	237-58	O-Ring	17	28	1
94-5357	Hose Assembly	27	26	2	237-65	O-Ring	13	16	3
94-5357	Hose Assembly - RH	3	7	2	237-65	O-Ring	27	27	3
94-5358	Hose Assembly	27	30	2	237-65	O-Ring	3	30	4
94-5358	Hose Assembly - LH	3	8	2	237-65	O-Ring	19	32	3
94-5359	Bracket - Air Cleaner	25	2	1	237-78	O-Ring	13	23	7
94-5438	Seal - Solenoid	14	19	8	237-78	O-Ring	27	24	1
94-6351	Cartridge - Relief 150 psi	14	13	1	237-78	O-Ring	26	30	4
94-6352	Plug - Cavity	14	18	1	237-78	O-Ring	29	30	4
94-6353	Cartridge Valve Assembly	14	15	1	237-78	O-Ring	7	30	2
94-6354	Plug - Orifice	14	14	1	237-78	O-Ring	31	31	2
94-6357	Hydraulic Cylinder Assembly	31	2	1	237-79	O-Ring	14	11	1
94-6358	Gasket	19	2	1	237-79	O-Ring	27	23	2
94-6359	Shaft - Drive	23	2	1	237-79	O-Ring	26	28	4
94-6360	Plate - Valve	23	13	1	237-79	O-Ring	19	29	3
94-6361	Back Plate Assembly	23	16	1	237-79	O-Ring	5	29	4
94-6362	Seal Repair Kit	23	*	1	237-79	O-Ring	13	32	1
94-6363	Bearing	23	3	1	237-79	O-Ring	17	33	1
94-6368	Bearing	23	14	1	237-80	O-Ring	14	16	2
94-6383	Hose Assembly	13	30	1	237-80	O-Ring	13	17	2
94-6383	Hose Assembly	20	44	1	237-80	O-Ring	3	31	4
94-6384	Hose Assembly	19	25	1	237-80	O-Ring	19	33	1
94-6385	Valve - Relief	20	40	1	237-81	O-Ring	13	29	1
94-6386	Cartridge - Relief Valve	20	46	1	237-81	O-Ring	17	29	3
94-6390	Gear Pump - 2 Section	19	*	1	237-81	O-Ring	19	34	2
94-6953	Console	10	1	1	237-100	Grommet	8	12	1
94-8077	Decal - Console	10	14	1	237-124	Grommet	16	25	1
94-8153	Muffler	25	7	1	237-146	O-Ring	17	27	1
94-8155	Bracket - Bulkhead	27	14	1	237-156	O-Ring	14	5	9
94-8156	Shield - Dust	33	43	1	240-3	Grommet - Rubber	27	11	4
94-8158	Screw - Cap	22	11	8	240-3	Grommet - Rubber	26	24	4
94-8160	Washer	22	17	4	240-11	Grommet	16	3	3
94-8161	Kit - Seal Repair	22	*	1	240-11	Grommet	17	13	4
94-8167	Hose Assembly	19	37	1	242-50	Nut - Lug	3	1	8
94-8168	O-Ring	19	*	1	242-50	Nut - Lug	7	8	4
94-8174	Hose - Pump Inlet	19	*	1	2411-34	Ball Joint	24	26	1
217-60	Rim	3	23	2	2411-34	Ball Joint	2	29	1
217-60	Rim	7	23	1	2411-38	Ball Joint	11	1	1
218-446	Washer - Lock	10	20	1	2411-38	Ball Joint Assembly	2	7	1
218-447	Nut - Hex.	10	21	1	2412-34	Clamp - Hose	18	1	5
218-498	Nut - Hex.	10	30	1	2412-34	Clamp - Hose	19	1	2
218-590	Switch - Micro	10	23	2	2412-34	Clamp - Hose	17	30	1
2112-9	Clamp	25	10	2	2412-36	Clamp - Hose	16	10	4
232-24	Stem - Valve	3	22	2	2412-39	Clamp - R	15	37	2
232-27	Valve Stem w/Cap	7	29	1	2412-41	Clamp - R	18	16	1
233-42	Knob	11	21	1	2412-92	Clamp - Hose	25	19	2
233-48	Knob	5	1	1	2412-92	Clamp - Hose	18	35	1
237-21	O-Ring	13	21	7	2412-104	Clamp - R	15	20	3
237-21	O-Ring	27	25	1	2412-107	Clamp - R	33	46	1
237-21	O-Ring	26	29	4	2412-108	Clamp - Hose	18	20	3
237-21	O-Ring	31	30	2	2412-108	Clamp - Hose	16	22	3
237-21	O-Ring	29	31	4	2412-108	Clamp - Hose	33	34	6
237-21	O-Ring	7	31	2	2412-129	Clamp - Hose	17	23	2
237-21	O-Ring	5	35	2	2412-133	Clamp - R	8	17	2
237-22	O-Ring	13	19	1	2412-134	Clamp - R	27	15	2
237-22	O-Ring	26	25	1	2412-137	Clamp - Tube, Double	27	34	1
237-22	O-Ring	17	26	1	251-259	Bearing - Ball	24	16	1
237-22	O-Ring	19	31	7	251-259	Bearing - Ball	11	19	1
237-30	O-Ring	27	22	2	252-66	Bearing - Thrust	23	32	1
237-30	O-Ring	26	27	4	252-71	Race - Bearing	23	31	2
237-30	O-Ring	13	31	1	252-95	Bearing - Thrust	23	8	2
237-42	O-Ring	14	7	6	253-111	Seal - Shaft	7	24	2
237-42	O-Ring	13	18	1	254-61	Bearing - Cup	7	19	2
237-42	O-Ring	17	25	1	254-70	Bearing Cone	7	18	2
237-42	O-Ring	26	26	1	254-78	Cone - Bearing	7	25	2
237-42	O-Ring	5	36	1	254-79	Cup - Bearing	7	26	2

*Not Illustrated

TORO PART NUMBER INDEX (Cont.)

Part No.	Description	Pg. Ref.			Part No.	Description	Pg. Ref.		
		No.	No.	Qty.			No.	No.	Qty.
256-311	Bushing - Straight	11	8	1	3256-77	Washer - Flat	8	7	6
256-311	Bushing - Straight	2	13	4	3257-42	Key - Woodruff	3	5	2
282-2	Clevis	1	19	2	3257-42	Key - Woodruff	4	17	1
283-8	Pin - Clevis	31	3	1	3269-15	Rivet - Pop	18	21	8
283-8	Pin - Clevis	29	9	2	3272-6	Pin - Cotter	1	20	2
283-61	Pin - Clevis	1	18	2	3272-11	Pin - Cotter	31	16	1
283-72	Pin - Lynch	8	9	1	3272-11	Pin - Cotter	29	23	2
283-87	Pin - Clevis	1	23	2	3272-11	Pin - Cotter	1	25	2
285-17	Plug	25	20	1	3272-37	Pin - Cotter	7	2	1
302-5	Fitting - Grease	2	38	1	3273-26	Screw - HSH	11	6	2
302-5	Fitting - Grease, Str.	7	21	1	3273-26	Screw - PPH	10	11	4
302-55	Fitting - Grease	7	27	1	3274-1	Screw - HSH	19	20	2
302-60	Fitting - Grease 90°	31	32	1	3274-12	Screw - HSH	8	29	4
302-60	Fitting - Grease 90°	29	33	2	3274-39	Screw - HSBH	8	6	9
302-60	Fitting - Grease, 90°	7	11	2	3274-39	Screw - HSBH	5	13	6
322-2	Screw - HH	8	2	2	3274-63	Screw - HSBH	5	7	2
323-4	Screw - HH	5	18	2	3274-80	Screw - HSBH	5	21	3
323-4	Screw - HH	24	20	2	3290-55	Rivet - Pop	29	38	16
323-11	Screw - HH	33	19	3	3290-55	Rivet - Pop	31	39	8
325-4	Screw - HH	5	10	2	3290-93	Screw - HH	10	24	4
325-6	Screw - HH	29	26	2	3290-277	Nut - Speed	5	25	6
325-6	Screw - HH	31	27	1	3290-354	Plate - Nut	10	22	2
327-17	Screw - HH	31	24	1	3290-357	Nut - Lock, Flange	33	20	3
3210-6	Screw - HH	24	8	1	3290-378	Tie - Cable	33	7	2
3211-2	Screw - HH	29	15	8	3290-378	Tie - Cable	10	12	2
3211-2	Screw - HH	31	25	4	3290-378	Tie - Cable	8	18	1
3213-1	Screw - HH	31	14	1	3290-378	Tie - Cable	15	31	2
3213-1	Screw - HH	29	19	2	3290-378	Tie - Cable	7	33	1
3217-6	Nut - Hex.	25	14	4	3290-378	Tie - Cable	27	36	1
3218-2	Nut - Hex Jam	15	2	2	3290-378	Tie - Cable	18	37	1
3218-5	Nut - Jam	29	27	2	3290-415	Rivet - Pop	15	24	2
3218-5	Nut - Jam	31	28	1	3290-488	Boot - Control, Lift	10	25	1
3219-14	Nut - Hex.	2	40	1	3290-489	Knob - Control, Lift	10	27	1
3219-14	Nut - Jam	11	23	1	3296-2	Nut - Lock	15	17	2
3220-1	Nut - Jam	24	38	1	3296-2	Nut - Lock	33	23	1
3220-1	Nut - Jam	2	39	1	3296-4	Nut - Lock Elastic	24	14	1
3220-2	Nut - Jam	1	3	2	3296-12	Nut - Lock	8	8	9
3220-2	Nut - Jam	24	32	1	3296-13	Nut - Lock	24	27	1
3220-6	Nut - Jam	7	17	4	3296-13	Nut - Lock	2	30	1
3220-20	Nut - Jam	3	15	2	3296-19	Nut - Lock	31	13	1
3241-6	Screw - SQH	19	5	2	3296-19	Nut - Lock	29	18	2
3242-2	Screw - Set	5	22	1	3296-21	Nut - Lock	33	5	1
3253-4	Washer - Lock	25	13	4	3296-27	Nut - Lock	11	4	1
3253-4	Washer - Spring Lock	25	26	4	3296-29	Nut - Lock	8	15	4
3254-2	Washer - Lock	15	13	1	3296-29	Nut - Hex	24	25	1
3254-3	Washer - Lock	33	6	1	3296-53	Nut - Hex	31	23	1
3256-1	Washer - Flat	26	2	2	3296-67	Nut - Lock NI	7	9	1
3256-1	Washer - Flat	17	15	3	32105-13	Screw - HH	15	18	2
3256-1	Washer - Flat	8	23	3	32105-13	Screw - HH	33	22	1
3256-1	Washer - Flat	2	28	2	32120-8	Ring - Retaining	30	7	1
3256-3	Washer - Flat	19	7	4	32120-8	Ring - Retaining	32	7	1
3256-7	Washer - Flat	31	8	1	32120-72	Ring - Retaining, Ext.	31	18	2
3256-22	Washer - Flat	18	15	4	32121-6	Pin - Roll	31	33	2
3256-22	Washer - Flat	27	19	2	32121-6	Pin - Roll	29	34	4
3256-22	Washer - Flat	24	31	1	32121-7	Pin - Spring	8	11	2
3256-22	Washer - Flat	20	41	2	32121-45	Roll Pin	2	5	1
3256-23	Washer - Flat	8	3	4	32128-20	Nut - Lock	2	25	2
3256-23	Washer - Flat	3	11	2	32136-9	Nut - Hex	7	1	1
3256-23	Washer - Flat	16	14	2	32141-111	Nut - Adjustable	1	7	1
3256-23	Washer - Flat	18	36	1	32144-14	Screw - HH	25	1	2
3256-23	Washer - Flat	33	45	1	32144-14	Screw - HH	27	3	6
3256-24	Washer - Flat	15	10	1	32144-14	Screw - HH	17	4	2
3256-24	Washer - Flat	11	14	1	32144-14	Screw - HH	15	5	13
3256-24	Washer - Flat	19	19	4	32144-14	Screw - HH	16	6	3
3256-24	Washer - Flat	2	35	2	32144-14	Screw - HH	18	7	2
3256-26	Washer - Flat	5	11	2	32144-14	Screw - HH	29	8	4
3256-26	Washer - Flat	33	31	8	32144-14	Screw - HH	1	10	5
3256-27	Washer - Flat	1	24	2	32144-14	Screw - HH	2	10	8

*Not Illustrated

TORO PART NUMBER INDEX (Cont.)

Part No.	Description	Pg. No.	Ref. No.	Qty.	Part No.	Description	Pg. No.	Ref. No.	Qty.
32144-14	Screw - HH	8	21	2	33114-020	Screw - HH	27	35	1
32144-14	Screw - HWH	33	44	3	33114-025	Screw - HH	24	22	1
32144-21	Screw - PPH	5	28	2	33114-025	Screw - HH	25	25	8
32144-44	Screw - HWH	29	32	2	33114-030	Screw - HH	19	12	2
32144-44	Screw - HWH	31	35	1	33114-030	Screw - HH	3	17	2
32149-8	Nut - Keps	10	8	2	33114-030	Screw - HH	11	20	1
32149-8	Nut - Keps	11	18	2	33114-030	Screw - HH	24	23	1
32151-13	Ring - Retaining	23	35	1	33114-070	Screw - HH	33	12	1
32151-29	Ring - Retaining	23	30	2	33115-016	Screw - HH	2	36	1
32151-41	Ring - Retaining	28	13	1	33115-020	Screw - HH	33	8	5
32151-104	Ring - Retaining, Ext.	7	12	2	33115-020	Screw - HH	17	16	2
33014-00	Nut - Hex	2	37	1	33115-025	Screw - HH	17	11	4
33023-00	Nut - Lock	1	1	2	33115-025	Screw - HH	16	16	3
33023-00	Nut - Lock	24	1	1	33115-035	Screw - HH	24	33	3
33023-00	Nut - Lock	15	3	8	33115-040	Screw - HH	15	8	1
33023-00	Nut - Lock	2	15	2	33115-040	Screw - HH	11	12	1
33023-00	Nut - Lock	18	27	4	33115-040	Screw - HH	19	15	2
33023-00	Nut - Lock	20	45	2	33115-090	Screw - HH	2	14	1
33023-00	Nut - Lock NI	26	4	2	33116-060	Screw - HH	3	20	8
33023-00	Nut - Lock NI	10	19	2	33116-130	Screw - HH	33	30	4
33023-00	Nut - Lock NI	3	19	8	33123-016	Screw - Carriage	1	6	2
33023-00	Nut - Lock NI (Europe)	8	32	1	33124-020	Screw - Carr.	2	6	2
33023-016	Nut - Lock NI	27	18	2	340-2	Fitting - Hydraulic	17	2	1
33024-00	Nut - Lock	25	3	4	340-2	Fitting - Hydraulic	26	16	1
33024-00	Nut - Lock	1	8	1	340-4	Fitting - Hydraulic	26	8	2
33024-00	Nut - Lock	18	9	6	340-7	Fitting - Hydraulic	13	2	1
33024-00	Nut - Lock	19	13	2	340-8	Fitting - Hydraulic	19	17	2
33024-00	Nut - Lock	33	16	14	340-9	Fitting - Hydraulic	17	7	1
33024-00	Nut - Lock	2	17	4	340-9	Fitting - Hydraulic	13	8	1
33024-00	Nut - Lock	24	21	3	340-14	Fitting - 45°	3	9	4
33024-00	Nut - Lock	27	33	1	340-14	Fitting - Hydraulic	13	35	1
33024-00	Nut - Lock NI	10	3	4	340-17	Fitting - Hydraulic 90°	13	5	1
33024-00	Nut - Lock NI	11	5	1	340-17	Fitting - Hydraulic 90°	19	18	1
33024-00	Nut - Lock NI	3	18	2	340-18	Fitting - Hydraulic 90°	19	3	1
33025-00	Nut - Lock	15	9	1	340-18	Fitting - Hydraulic 90°	19	21	1
33025-00	Nut - Lock	19	14	2	340-70	Nut - Bulkhead	27	2	1
33025-00	Nut - Lock	2	33	1	340-74	Nut - Bulkhead	27	1	4
33025-00	Nut - Lock	24	37	3	340-74	Nut - Bulkhead	26	10	4
33025-00	Nut - Lock NI	11	13	1	340-77	Fitting - Hydraulic 90°	13	6	1
33026-00	Nut - Lock	33	32	4	340-77	Fitting - Hydraulic 90°	19	38	1
33113-008	Screw - HH	11	3	2	340-92	Fitting - Hydraulic	26	7	4
33113-008	Screw - HH	26	19	1	340-92	Fitting - Hydraulic	13	9	3
33113-016	Screw - HH	15	12	6	340-92	Fitting - Hydraulic	27	12	1
33113-016	Screw - HH	17	14	1	340-94	Fitting - Tee	20	43	1
33113-016	Screw - HH	27	17	2	340-98	Fitting - Hydraulic 90°	26	6	2
33113-016	Screw - HH	17	18	2	340-98	Fitting - Hydraulic 90°	27	13	2
33113-016	Screw - HH	18	22	4	340-103	Fitting - Hydraulic 45°	13	10	1
33113-016	Screw - HH	8	22	3	340-115	Fitting - Tee	19	36	1
33113-016	Screw - HH	33	26	4	340-132	Fitting - Hydraulic	7	15	2
33113-020	Screw - HH	3	16	8	340-132	Fitting - Hydraulic 90°	31	1	1
33113-030	Screw - HH	24	3	1	340-132	Fitting - Hydraulic 90°	29	2	4
33113-030	Screw - HH	15	15	2	340-132	Fitting - Hydraulic 90°	13	7	1
33113-030	Screw - HH	10	18	2	340-133	Fitting - Hydraulic	5	17	2
33113-030	Screw - HH (Europe)	8	31	1	340-138	Fitting - Hydraulic 45°	13	3	1
33113-050	Screw - HH	26	1	2	340-140	Tee - Hydraulic	13	11	1
33113-050	Screw - HH	20	42	2	353-599	Pin-Dowel	28	3	2
33114-016	Screw - HH	13	12	2	353-988	Plug	17	19	1
33114-016	Screw - HH	16	15	2	353-988	Plug	19	22	1
33114-016	Screw - HH	18	28	2	353-988	Plug	14	10	1
33114-016	Screw - HH	2	32	4	353-989	Plug	14	6	6
33114-020	Screw - HH	10	2	4	353-991	Plug	26	5	1
33114-020	Screw - HH	25	4	4	353-991	Plug	14	4	9
33114-020	Screw - HH	1	9	1	354-46	Ring-Seal	28	8	1
33114-020	Screw - HH	19	11	6	354-50	Screw-Hex Socket Hd.	28	1	4
33114-020	Screw - HH	33	15	14	354-51	Washer	28	2	4
33114-020	Screw - HH	18	18	6	354-70	Plug	14	17	2
33114-020	Screw - HH	24	24	1	354-73	Fitting - Hydraulic, Barb	17	9	2
33114-020	Screw - HH	33	25	3	354-78	Fitting - Hydraulic	17	1	1

*Not Illustrated

PRODUCT CHANGES

In an effort to make improvements available to TORO owners as quickly as possible, minor changes are incorporated into Toro's products from time to time that do not become immediately shown in the Parts Catalog. If such a change has been made in your unit, which is not reflected in your manual, see your TORO Distributor or his Authorized TORO Service Dealer for information and part numbers.

IDENTIFICATION AND ORDERING

MODEL AND SERIAL NUMBERS

The Greensmaster 3200D has two identification numbers; a model number and a serial number. The two numbers are stamped on a plate which is located on the left hand frame rail. In any correspondence concerning the Greensmaster 3200D, supply model and serial numbers to assure that correct information and replacement parts are obtained.

To order replacement parts from an Authorized TORO Service Dealer, supply the following information:

1. Model and serial number of the Greensmaster 3200D.
2. Part number, description, and the quantity of part(s) desired.

NOTE: Do not order by reference number if a parts catalog is being used; use the PART NUMBER.

TABLE OF CONTENTS

Description	Page	Description	Page
Frame & Brake Pedal Assembly	1	Cylinder Block Assembly	32
Floor Panel & Traction Pedal Assembly	2	Crankshaft Assembly	33
Front Wheel & Brake Assembly	3	Cylinder Head Assembly	34
Hydraulic Drive Motor Assembly No. 92-9199	4	Rocker Arm Assembly	35
Steering Arm Assembly	5	Camshaft Assembly	36
Steering Control Valve No. 93-2120	6	Timing Cover Assembly	37
Rear Wheel Assembly	7	Oil Pump Assembly	38
Seat Assembly	8	Fuel Injection System Assembly	39
Electrical Schematic	9	Injection Pump Assembly	40
Control Panel Assembly	10	Rear Plate & Seal	41
Traction Handle Assembly	11	Flywheel Assembly	42
Hydraulic Schematic	12	Starter Installation Assembly	43
Manifold Installation Assembly	13	Oil Sump Assembly	44
Manifold Assembly No. 93-4420	14	Valve Cover Assembly	45
Electronics Installation Assembly	15	Oil Filter Assembly	46
Fuel Tank Assembly	16	Front Drive Pulley Assembly	47
Hydraulic Reservoir Assembly	17	Water Pump Assembly	48
Radiator & Oil Cooler Assembly	18	Alternator Assembly	49
Hydraulic Pump & Hydrostat Assembly	19	Timing Cover Plate Assembly	50
Gear Pump Assembly No. 93-2587	20	Exhaust Manifold Assembly	51
Hydrostat Assembly No. 93-2586	21	Low Pressure Fuel System Assembly	52
Neutral System Assembly	22	Lift Pump Assembly	53
Muffler & Air Cleaner Assembly	23	Fuel Filter Assembly	54
Reel Motor Installation Assembly - RH & LH	24	Cold Start System Assembly	55
Reel Motor Installation Assembly - Rear	25	Engine Lifting Tab Assembly	56
Reel Motor Assembly No. 93-1375	26	Throttle Stop Assembly	57
Pull Frame Assembly - RH & LH	27	Recorder Assembly	58
Hydraulic Cylinder No. 93-2246	28	Electrical Component Assembly	59
Pull Frame Assembly - Rear	29	Gasket and Seals	60
Hydraulic Cylinder No. 94-6357	30	TORO Part Number Index	61-66
Engine Installation Assembly	31		

MAINTENANCE RECORD

Date								