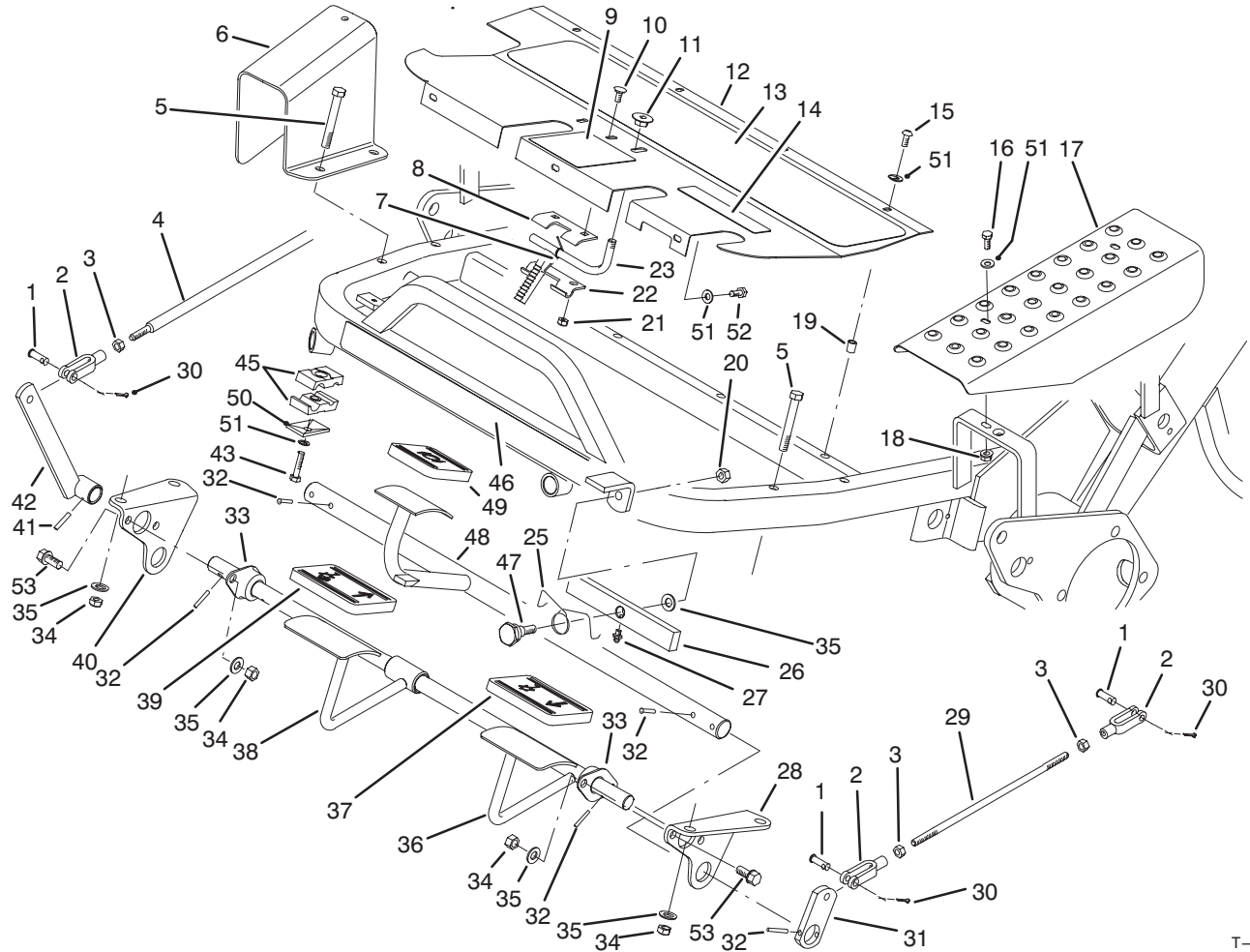




MODEL NO. 04353-60001 & UP

PARTS CATALOG

GREENSMASTER 3100 TRACTION UNIT



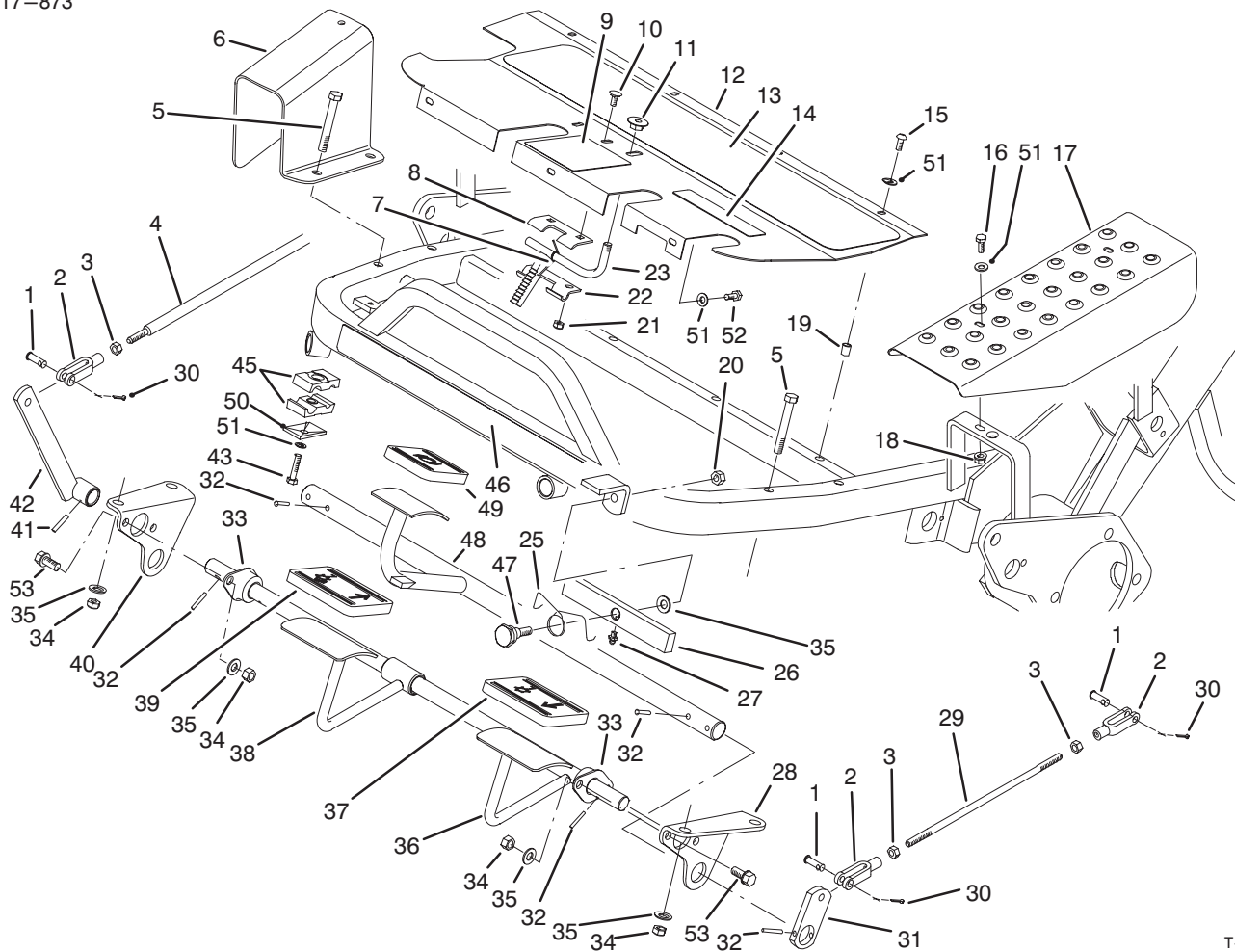
T-1285

CONTROL PEDAL ASSEMBLY

Ref. No.	Part No.	Description	No. Used
1	283-61	Pin - Clevis	5
2	282-2	Clevis - Adjusting	5
3	3220-2	Nut - Jam	5
4	49-5430	Rod - Control	1
5	323-13	Screw - Cap Hex. Hd.	4
6	49-6110	Guard - Transfer Rod	1
7	10-8140	Spring - Torsion	1
8	10-7880	Hinge - Upper	1
†9	27-2830	Decal - Parking Brake	1
10	3229-22	Bolt - Carriage	2
11	32141-111	Nut Flange Lock	1
12	83-0640	Plate - Footrest	1
13	49-6120	Pad - Footrest	1
14	93-8075	Decal - Mow/Lift	1
15	3274-31	Screw - Hex. Socket Hd.	4
16	321-4	Screw - Hex. Flange Hd.	2

Ref. No.	Part No.	Description	No. Used
17	83-0200	Cover - L.H.	1
18	32128-33	Nut - Flange Lock	2
19	32148-6	Insert - Threaded	8
20	3296-39	Nut - Lock	1
21	3296-16	Nut - Lock	2
22	10-7890	Hinge - Lower	1
23	10-7850	Latch - Parking Brake	1
25	83-0080	Spring - Torsion	1
26	83-0060	Lift - Pivot	1
27	302-5	Fitting - Grease	1
28	88-9640	Lift Pivot Bracket L.H.	1
29	27-2270	Rod - Brake Adjusting	2
30	3272-6	Pin - Cotter	5
31	10-8100	Strap - Brake Shaft	2
32	32121-35	Pin - Roll	8
33	27-2320	Bearing - Flange	2

†For different language versions of this part, see International Parts Page.

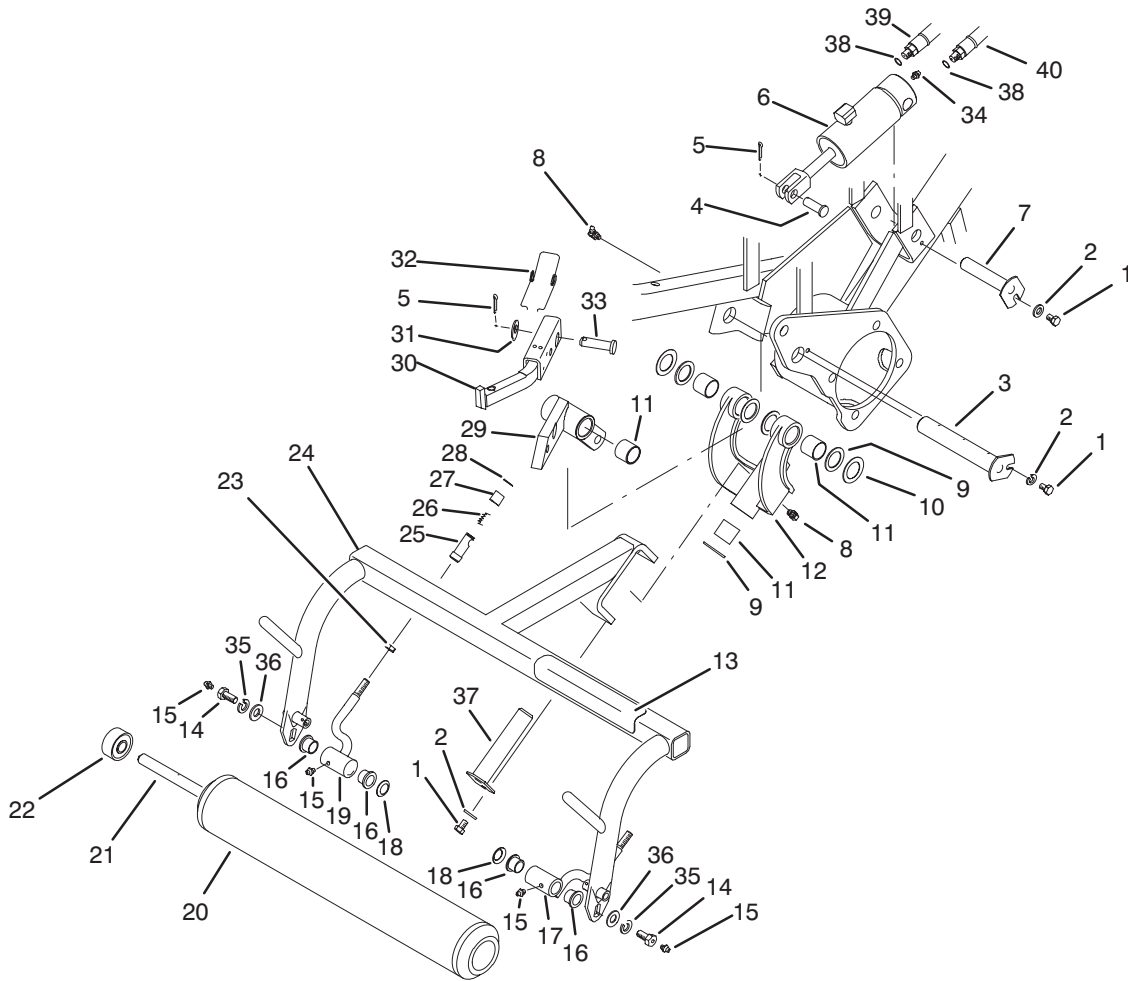


T-1285

CONTROL PEDAL ASSEMBLY (Continued)

Ref. No.	Part No.	Description	No. Used	Ref. No.	Part No.	Description	No. Used
34	3296-59	Nut - Lock	8	45	56-7970	Clamp Half - Tube	2
35	3256-24	Washer - Flat	9	46	88-9620	Decal - Greensmaster 3100	1
36	88-9660	Shaft - Cutting Control	1	47	83-2590	Bolt - Shoulder	1
37	93-7631	Pad - Lift	1	48	83-0160	Shaft - Brake	1
38	83-0140	Pedal - Mow	1	49	93-7629	Pad - Brake	1
39	93-7630	Pad - Mow	1	50	69-9760	Plate - Cover	1
40	88-9630	Lift Pivot Bracket R.H.	1	51	3256-1	Washer - Flat	9
41	32121-6	Pin - Roll	1	52	321-3	Screw - Cap Hex. Hd.	3
42	49-6200	Lever - Cutting Control	1	53	3234-1	Screw - Cap Hex. Hd.	4
43	321-11	Screw - Cap Hex. Hd.	1	*	37-8130	Basket - Grass	3
44	3256-22	Washer - Flat	1	*	65-8320	Bar - Gauge	1

*Not Illustrated

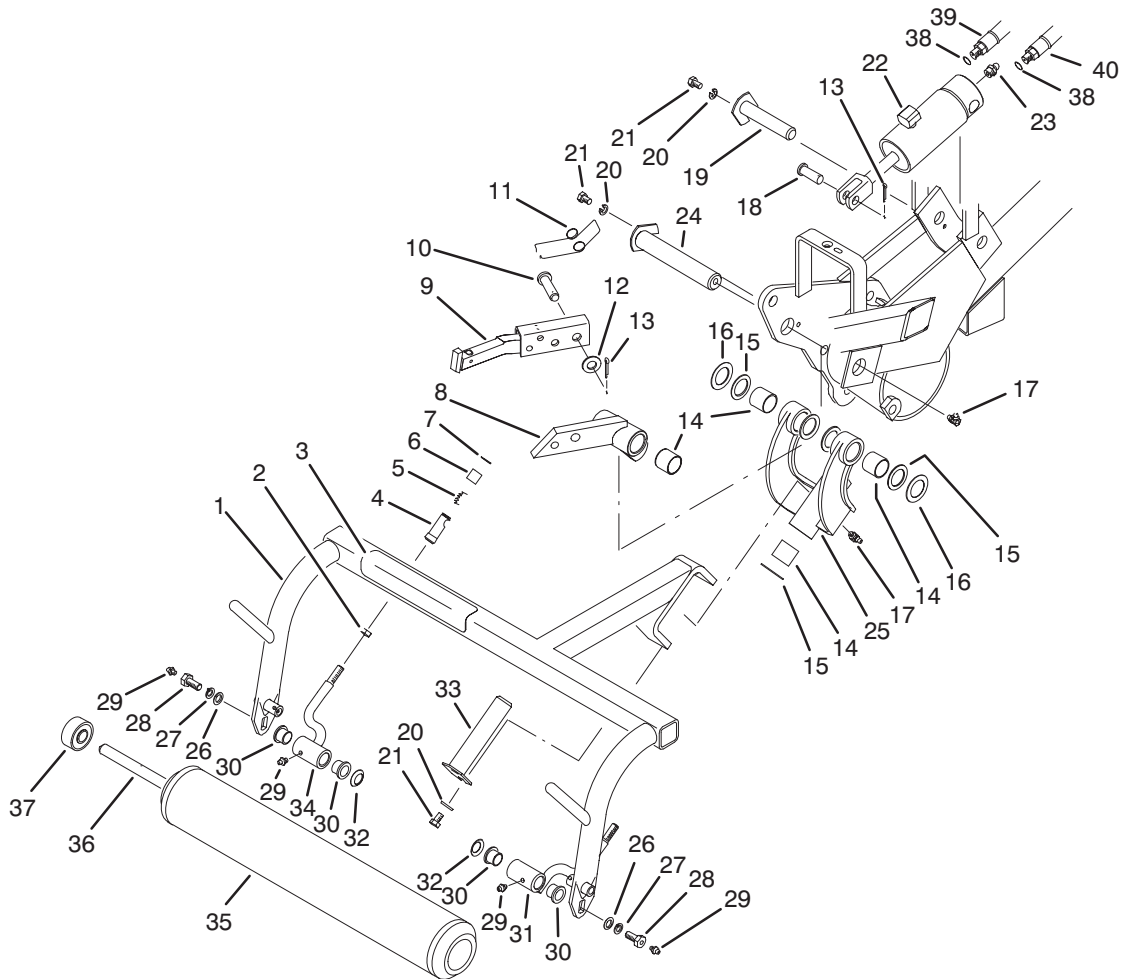


T-1283

PULL FRAME ASSEMBLY L.H.

Ref. No.	Part No.	Description	No. Used	Ref. No.	Part No.	Description	No. Used
1	322-1	Screw - Cap Hex. Hd.	3	21	21-8470	Shaft - Roller	1
2	3256-23	Washer - Flat	3	22	251-141	Bearing - Ball	2
3	10-6110	Pin - Hinge	1	23	3220-3	Nut - Jam	2
4	283-8	Pin - Clevis	1	24	92-9176	Frame - Pull L.H.	1
5	3272-11	Pin - Cotter	2	25	94-2959	Ball Joint Receiver Assy. (Incl. Ref. #26-28)	2
6	83-2580	Cylinder - Lift	1	26		Spring - Compression	2
7	10-6060	Pin - Lift Cylinder	1	27		Sleeve	2
8	302-60	Fitting - Grease 90°	2	28		Ring - Retaining	2
9	10-8110	Washer - Thrust	6	29	62-2460	Lift Arm Assembly L.H. (Incl. Ref. #11)	1
10	5-1226	Washer - Shim	2	30	94-5586	Bar - Lift L.H.	1
11	3-0348	Bushing - Sleeve	6	31	3256-26	Washer - Flat	1
12	10-7820	Pivot Hinge Assembly (Incl. Ref. #11)	1	32	57-7650	Spring - Torsion	1
‡13	62-5070	Decal - Danger	1	33	63-8750	Pin - Pivot	1
14	11-0160	Roller Shaft Screw Assy. (Incl. Ref. #15)	2	34	302-2	Fitting - Grease Straight	1
15	302-5	Fitting - Grease Straight	4	35	3253-21	Washer - Lock	2
16	3-1506	Bushing - Flange	4	36	3256-24	Washer - Flat	2
17	92-0586	Pull Arm Assembly L.H. (Incl. Ref. #16)	1	37	10-6090	Pin - Pivot	1
18	3290-317	Washer - Wave	2	38	237-78	Seal - O-Ring	2
19	92-0585	Pull Arm Assembly R.H. (Incl. Ref. #16)	1	39	63-3850	Hose - Hydraulic (Incl. Ref. #38)	1
20	52-2720	Roller Assembly (Incl. Ref. #22)	1	40	83-1690	Hose - Hydraulic (Incl. Ref. #38)	1

‡For different language versions of this part, see International Parts Page.

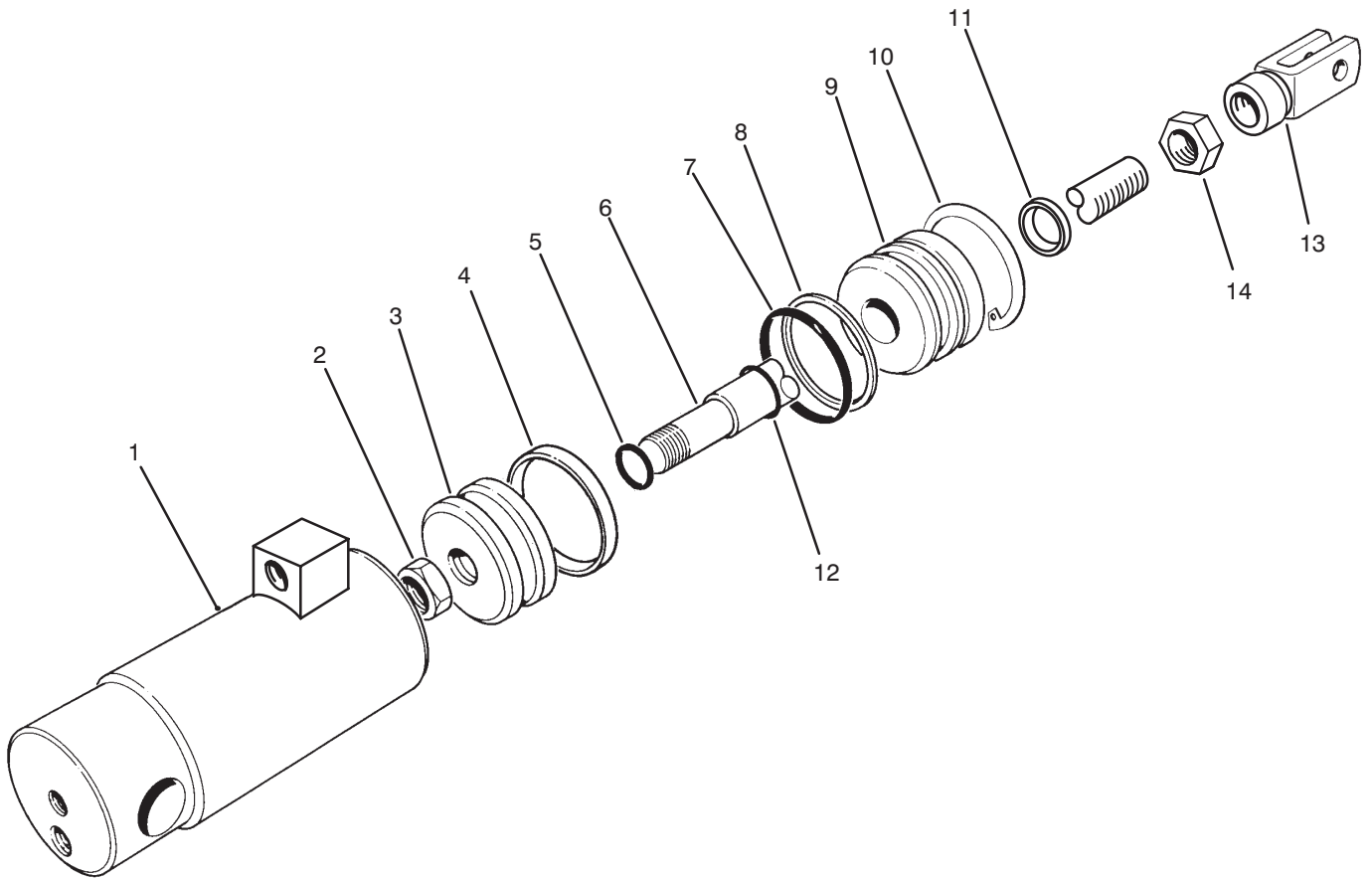


T-1284

PULL FRAME ASSEMBLY R.H.

Ref. No.	Part No.	Description	No. Used	Ref. No.	Part No.	Description	No. Used
1	92-9177	Frame – Pull R.H.	1	23	302-2	Fitting – Grease	1
2	3220-3	Nut – Jam	2	24	10-6110	Pin – Pivot	1
‡3	62-5070	Decal – Danger	1	25	10-7820	Pivot Hinge Assembly (Incl. Ref. #14)	1
4	94-2959	Ball Joint Receiver Assy. (Incl. Ref. #5-7)	2	26	3256-24	Washer – Flat	2
5		Spring – Compression	2	27	3253-21	Washer – Lock	2
6		Sleeve	2	28	11-0160	Roller Shaft Screw Assy. (Incl. Ref. #29)	2
7		Ring – Retaining	2	29	302-5	Fitting – Grease	4
8	62-2440	Lift Arm Assembly (Incl. Ref. #14)	1	30	3-1506	Bushing – Flange	4
9	94-5588	Bar – Lift, R.H.	1	31	92-0586	Pull Arm Assembly L.H. (Incl. Ref. #30)	1
10	63-8750	Pin – Pivot	1	32	3290-317	Washer – Wave	2
11	57-7650	Spring – Torsion	1	33	10-6090	Pin – Pivot	1
12	3256-26	Washer – Flat	1	34	92-0585	Pull Arm Assembly R.H. (Incl. Ref. #30)	1
13	3272-11	Pin – Cotter	2	35	52-2720	Roller Assembly (Incl. Ref. #37)	1
14	3-0348	Bushing – Sleeve	6	36	21-8470	Shaft – Roller	1
15	10-8110	Washer – Thrust	6	37	251-141	Bearing – Ball	2
16	5-1226	Washer – Shim	2	38	237-78	Seal – O-Ring	2
17	302-60	Fitting – Grease 90°	2	39	63-3880	Hose – Hydraulic (Incl. Ref. #38)	2
18	283-8	Pin – Clevis	1				
19	10-6060	Pin – Pivot	1				
20	3256-23	Washer – Flat	3				
21	322-1	Screw – Cap Hex. Hd.	3				
22	83-2580	Hydraulic Cylinder Assy.	1				

‡For different language versions of this part, see International Parts Page.



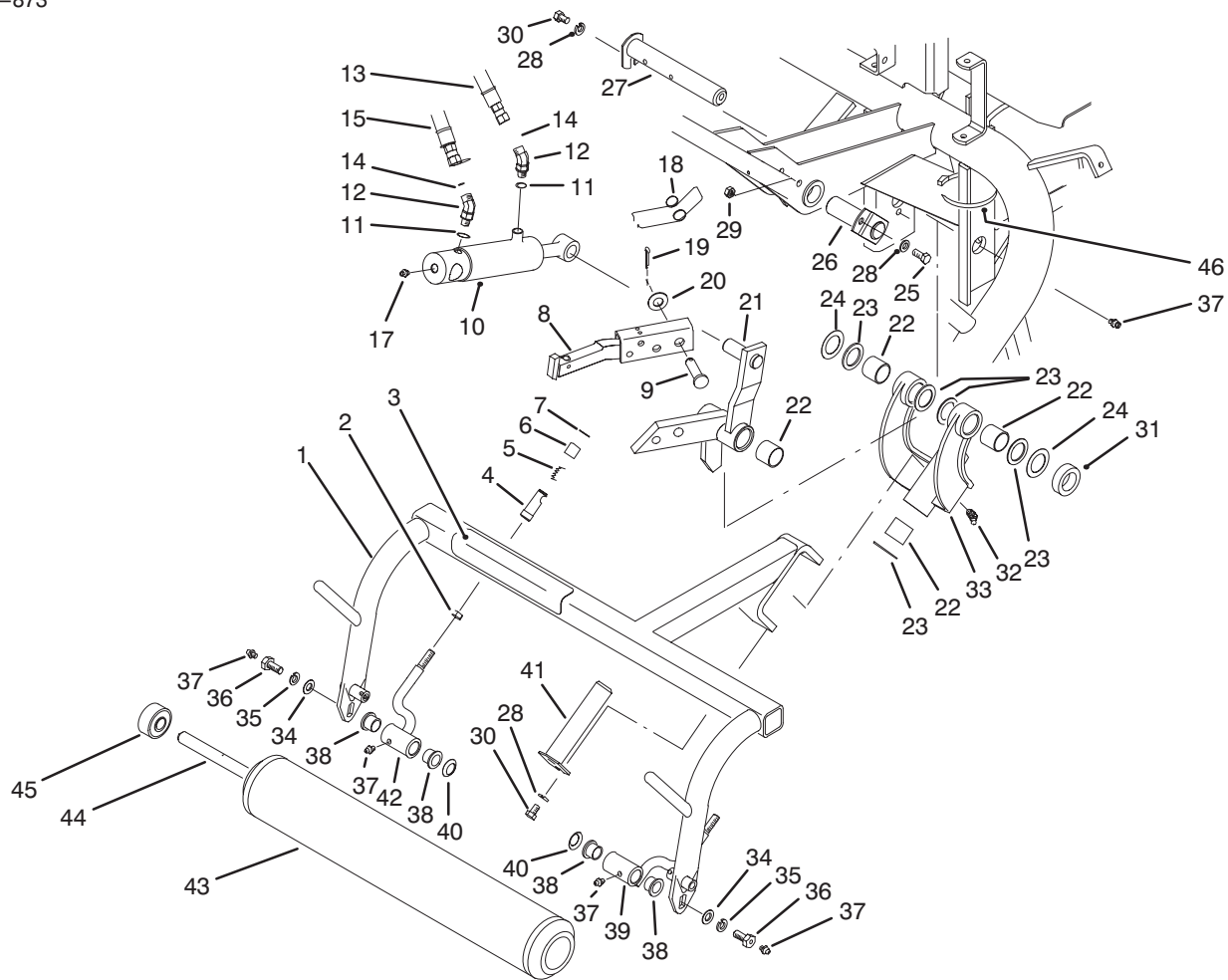
T-1246

HYDRAULIC CYLINDER ASSEMBLY NO. 83-2580

Ref. No.	Part No.	Description	No. Used
1		Barrel	1
2	32152-10	Nut - Lock	1
3	52-1990	Piston	1
4		Uniring	1
5		Seal - O-Ring	1
6	76-1860	Shaft	1
7		Seal - O-Ring	1
8		Washer - Back-Up	1
9	65-4860	Head	1

Ref. No.	Part No.	Description	No. Used
10	32120-8	Ring - Retaining	1
11		Seal - Dust	1
12		Seal - PDF	1
13	76-1850	Clevis	1
14	3220-6	Nut - Jam	1
*	86-5390	Seal Kit (Incl. Ref. #4, 5, 7, 8, 11 & 12)	1

*Not Illustrated

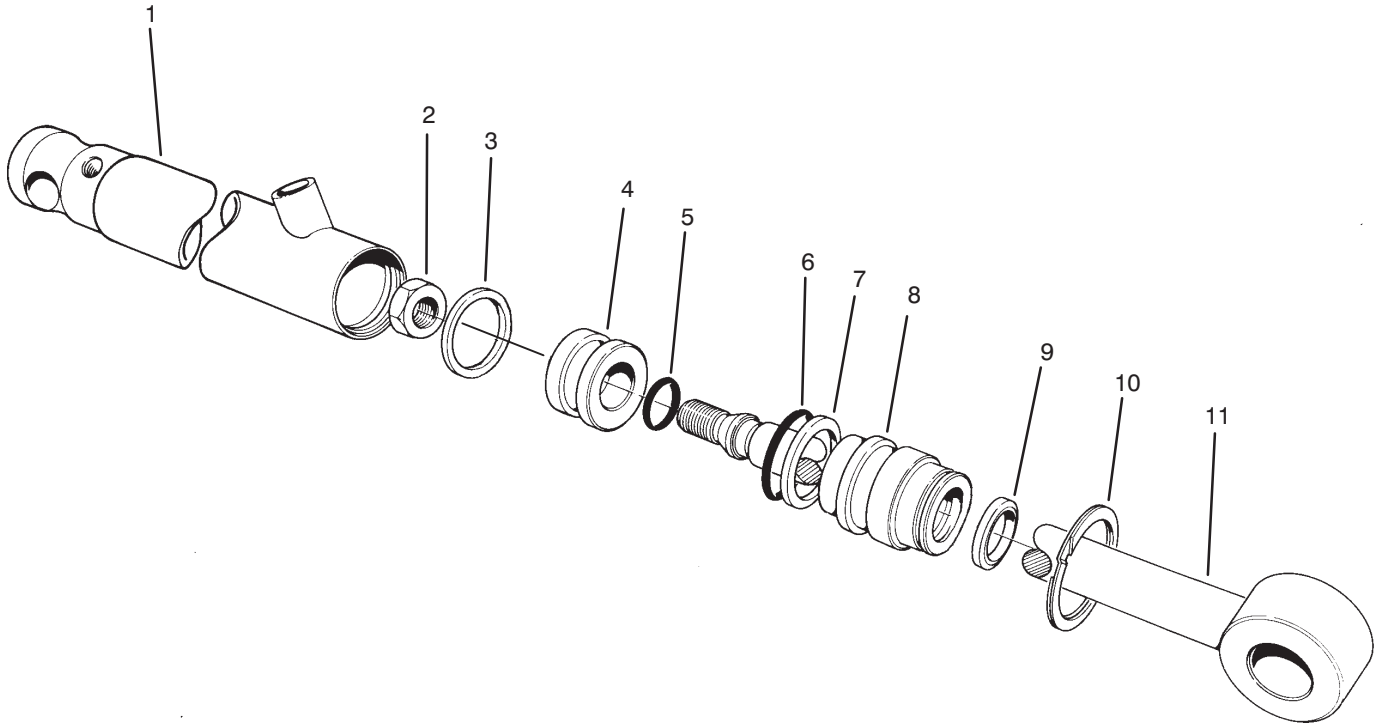


T-1286

PULL FRAME ASSEMBLY REAR

Ref. No.	Part No.	Description	No. Used	Ref. No.	Part No.	Description	No. Used
1	86-9820	Frame – Pull Rear	1	26	68-5560	Pin – Cylinder Pivot	1
2	3220-3	Nut – Jam	2	27	27-2550	Pin – Pivot	1
‡3	62-5070	Decal – Danger	1	28	3256-23	Washer – Flat	3
4	94-2959	Ball Joint Receiver Assy. (Incl. Ref. 5-7)	2	29	3296-29	Nut – Lock	1
5		Spring – Compression	2	30	322-1	Screw – Cap Hex. Hd.	2
6		Sleeve	2	31	27-2540	Spacer – Hub	1
7		Ring – Retaining	2	32	302-60	Fitting – Grease 90°	1
8	62-2420	Bar – Lift	1	33	10-7820	Pivot Hinge Assembly (Incl. Ref. #22)	1
9	63-8750	Pin – Pivot	1	34	3256-24	Washer – Flat	2
10	83-7230	Hydraulic Cylinder Assembly	1	35	3253-21	Washer – Lock	2
11	237-35	Seal – O-Ring	2	36	11-0160	Roller Shaft Screw Assy. (Incl. Ref. #37)	2
12	340-103	Fitting – Hydraulic 45° (Incl. Ref. #11 & 14)	2	37	302-5	Fitting – Grease Straight	5
13	83-1680	Hose – Hydraulic	1	38	3-1506	Bushing – Flange	4
14	237-78	Seal – O-Ring	2	39	92-0586	Pull Arm Assembly L.H. (Incl. Ref. #38)	1
15	88-9700	Hose – Hydraulic	1	40	3290-317	Washer – Wave	2
17	302-2	Fitting – Grease	1	41	10-6090	Pin – Pivot	1
18	57-7650	Spring – Torsion	1	42	92-0585	Pull Arm Assembly R.H. (Incl. Ref. #38)	1
19	3272-11	Pin – Cotter	1	43	52-2720	Roller Assembly (Incl. Ref. #45)	1
20	3256-26	Washer – Flat	1	44	21-8470	Shaft – Roller	1
21	68-5380	Lift Arm Assembly (Incl. Ref. #22)	1	45	251-141	Bearing – Ball	2
22	3-0348	Bushing – Sleeve	6	46	3290-379	Tie – Cable	1
23	10-8110	Washer – Thrust	6				
24	5-1226	Washer – Shim	2				
25	322-3	Screw – Cap Hex. Hd.	1				

‡For different language versions of this part, see International Parts Page



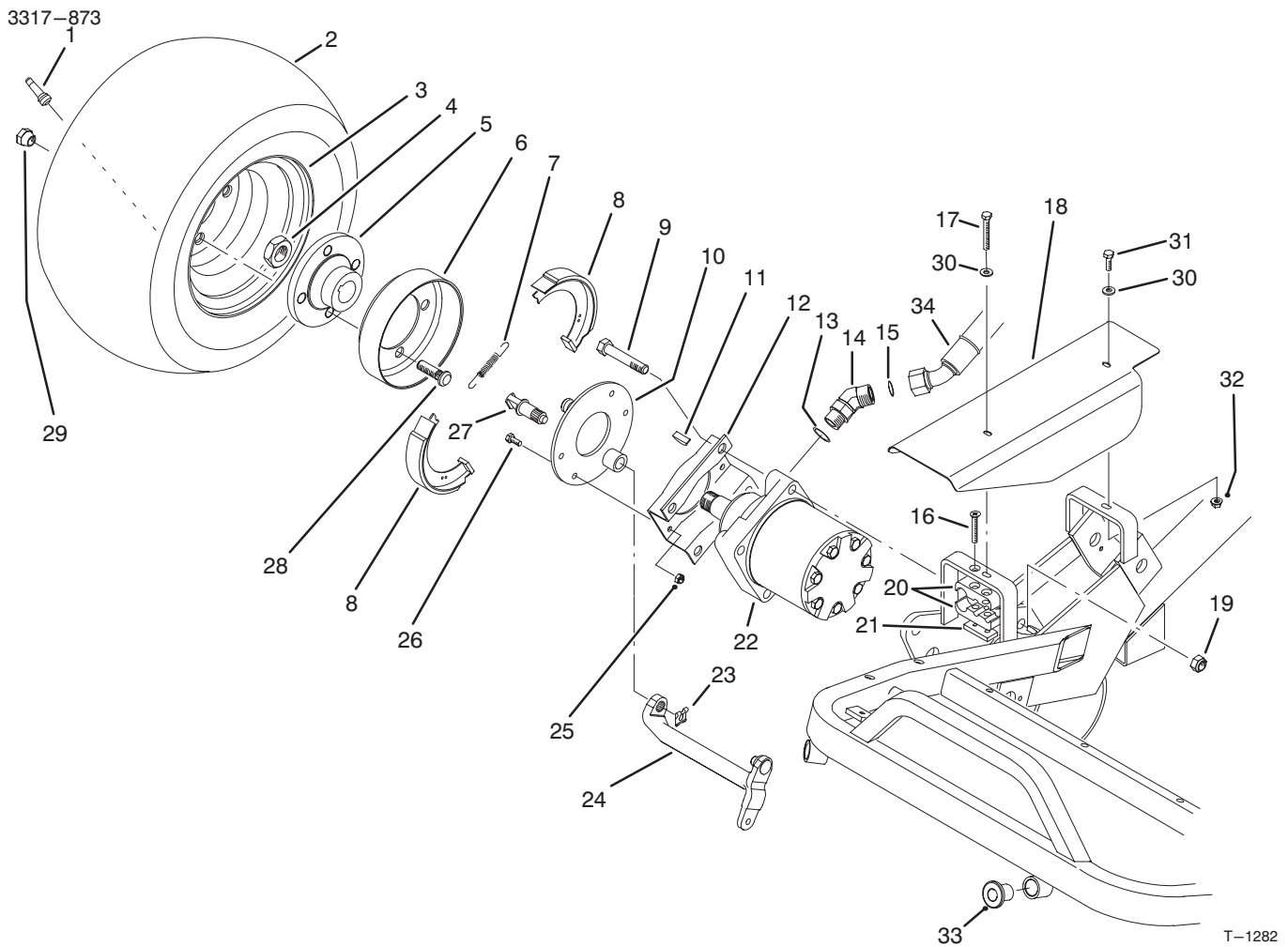
T-0640

HYDRAULIC CYLINDER NO. 83-7230

Ref. No.	Part No.	Description	No. Used
1	70-8130	Barrel	1
2	32152-10	Nut - Hex.	1
3		Uniring	1
4	70-2780	Piston	1
5		Seal - O-Ring	1
6		Seal - O-Ring	1
7		Washer - Back-Up	1

Ref. No.	Part No.	Description	No. Used
8	70-2770	Head	1
9		Seal - Dust	1
10	43-5220	Ring - Retaining	1
11	43-5230	Shaft & Clevis	1
*	86-5360	Repair Kit (Incl. Ref. #3, 5-7 & 9)	1

*Not Illustrated

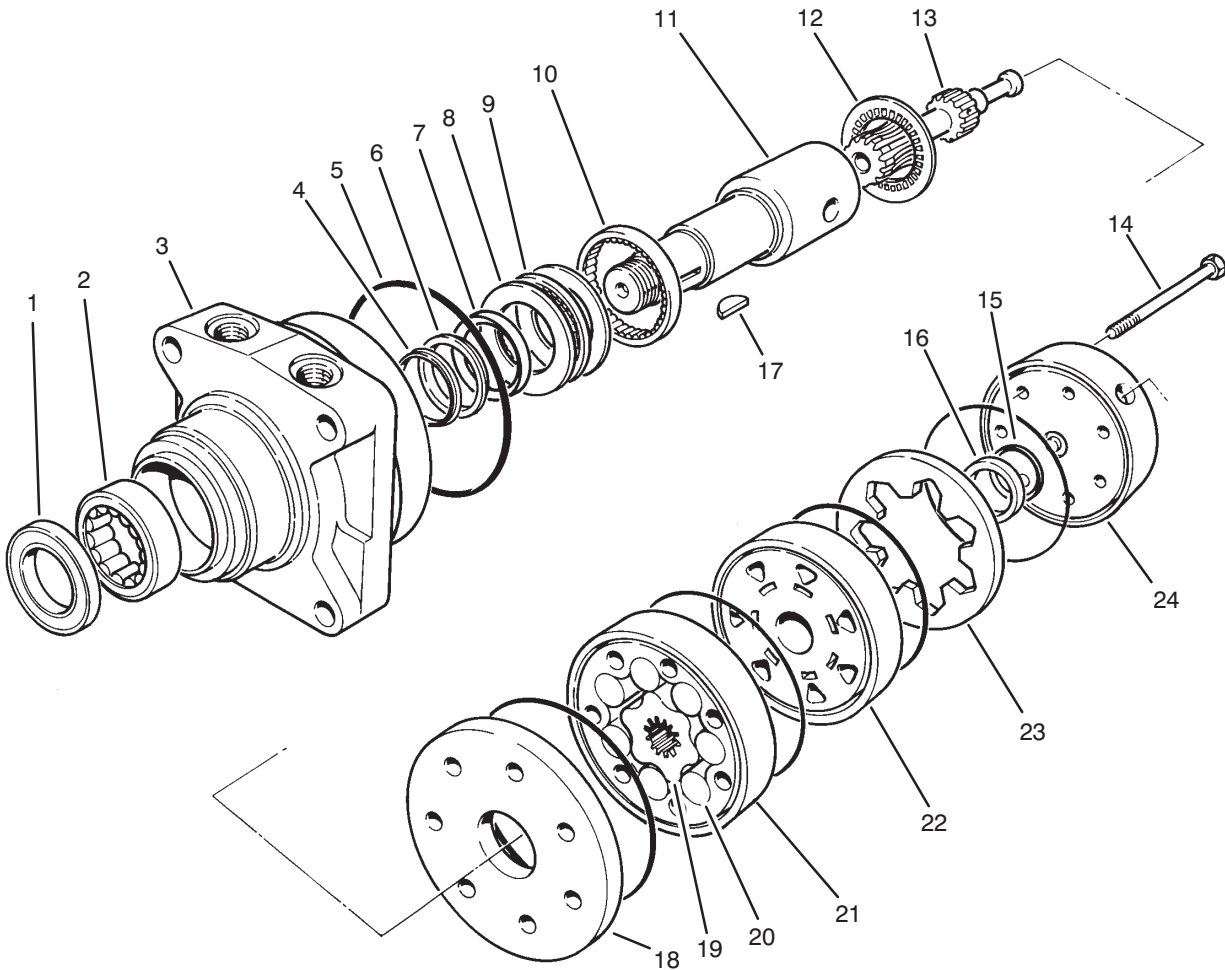


FRONT WHEEL & BRAKE ASSEMBLY

Ref. No.	Part No.	Description	No. Used
1	232-24	Stem - Valve	2
2	28-3680	Tire	2
3	217-60	Rim	2
4	26-3790	Nut - Lock	2
5	10-6870	Hub - Wheel	2
6	10-6850	Drum - Brake	2
7	70-9880	Spring - Return	4
8	70-9840	Shoe - Brake	4
9	325-11	Screw - Cap Hex. Hd.	8
10	70-9870	Plate - Backing	2
11	3257-42	Key - Woodruff	2
12	84-2000	Bracket - Brake	2
13	237-80	Seal - O-Ring	4
14	340-14	Fitting - Hydraulic 45° (Incl. Ref. #13 & 15)	4
15	237-65	Seal - O-Ring	4
16	32108-100	Screw - Flat Hd.	1
17	321-11	Screw - Hex. Washer Hd.	1
18	83-0190	Cover - R.H.	1
19	3296-23	Nut - Lock	8
20	57-6140	Clamp Half - Tube	2

Ref. No.	Part No.	Description	No. Used
21	83-1220	Plate - Clamp	1
22	92-9199	Motor - Hydraulic	2
23	70-9850	Clip - Retaining	2
24	71-1510	Arm - Brake	2
25	3296-42	Nut - Lock	8
26	321-5	Screw - Cap Hex. Hd.	8
27	70-9860	Cam - Brake	2
28	85-6540	Stud - Drive	8
29	242-50	Nut - Lug	8
30	3256-22	Washer - Flat	2
31	321-4	Screw - Cap Hex. Hd.	1
32	32128-33	Nut - Lock	1
33	83-1700	Bushing - Flange	2
34	83-2450	Hose - Hydraulic (Top)	1
*	83-2460	Hose - Hydraulic (Bottom)	1
*	10-6821	Brake Drum Assembly (Incl. Ref. #5, 6 & 28)	2
*	71-1500	Brake Assembly (Incl. Ref. #7, 8, 10, 23 & 27)	2

*Not Illustrated



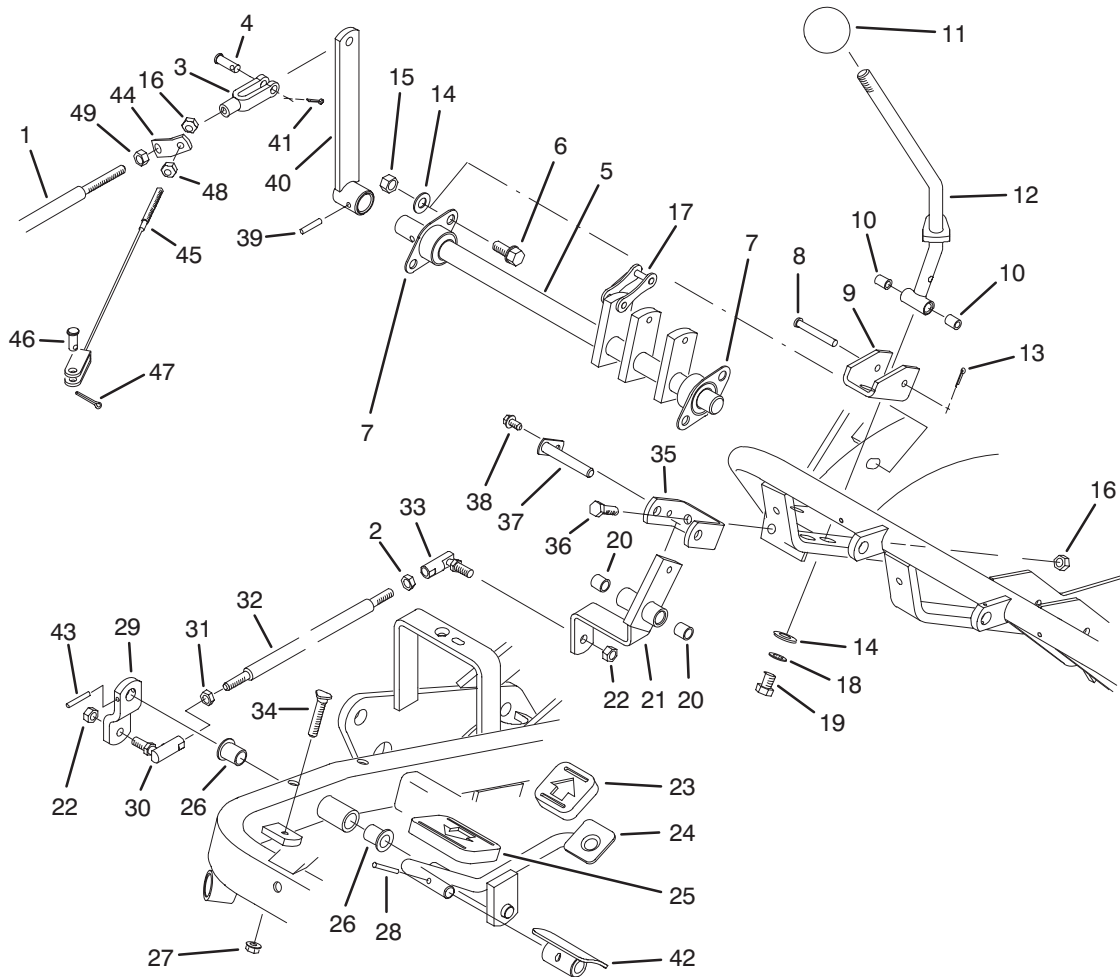
T-0983

HYDRAULIC DRIVE MOTOR ASSEMBLY NO. 92-9199

Ref. No.	Part No.	Description	No. Used
1		Seal - Dirt & Water	1
2		Bearing	1
3		Housing	1
4		Washer - Back-Up	1
5		Ring - Seal	5
6		Washer - Back-Up	1
7		Seal - Inner	1
8		Washer - Thrust	2
9		Bearing - Thrust	1
10		Bearing	1
11	76-0860	Shaft - Coupling	1
12	76-0850	Bearing - Thrust	1
13	92-9761	Link - Drive	7
14	92-9762	Screw - Cap Hex. Hd.	1
15		Seal - Commutator	1
16		Commutator	1

Ref. No.	Part No.	Description	No. Used
17	3257-42	Key - Woodruff	1
18	76-0870	Plate - Wear	1
19		Rotor	1
20		Vane	7
21		Stator	1
22	76-0840	Manifold	1
23		Ring - Commutator	1
24	76-0940	End Cover Assembly	1
*	92-9763	Rotor Set (Incl. Ref. #19-21)	1
*	76-0880	Commutator Assembly (Incl. Ref. #15, 16 & 23)	1
*	76-0800	Seal Kit (Incl. Ref. #1, 4-7 & 15)	1
*	76-0810	Housing Assembly (Incl. Ref. #2, 3 & 8-10)	1

*Not Illustrated

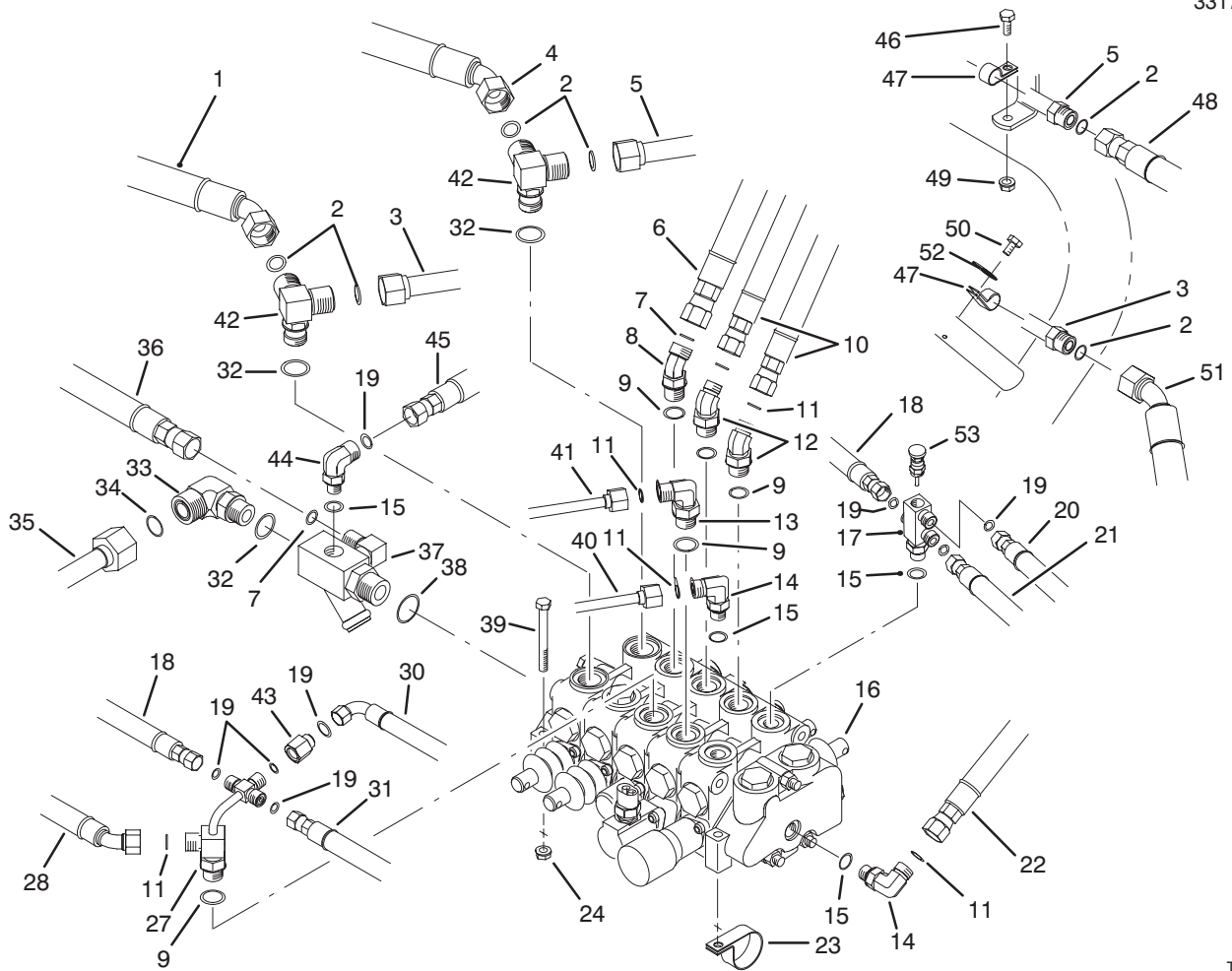


T-1287

TRACTION CONTROLS ASSEMBLY

Ref. No.	Part No.	Description	No. Used
1	49-5430	Rod - Control	1
2	3220-2	Nut - Jam	1
3	282-2	Clevis - Rod	1
4	283-61	Pin - Clevis	1
5	44-0870	Shaft - Cam	1
6	3234-1	Screw - Hex. Flange Hd.	4
7	27-2320	Bearing - Flange	2
8	283-57	Pin - Clevis	1
9	49-6220	Bracket - Control Arm	1
10	256-251	Bushing - Sleeve	2
11	233-48	Knob	1
12	93-9934	Traction Handle Assembly (Incl. Ref. #10)	1
13	3272-4	Pin - Cotter	1
14	3256-24	Washer - Flat	6
15	3296-59	Nut - Lock	4
16	3296-29	Nut - Lock	3
17	57-6220	Link	5
18	3254-6	Washer - I.T.L.W.	2
19	3211-2	Screw - Cap Hex. Hd.	2
20	256-2	Bushing - Sleeve	2
21	49-6260	Assy. - Pivot, Traction (Incl. Ref. #20)	1
22	3296-4	Nut - Lock	2
23	74-9110	Pad - Reverse Pedal	1
24	83-0540	Pedal - Traction	1

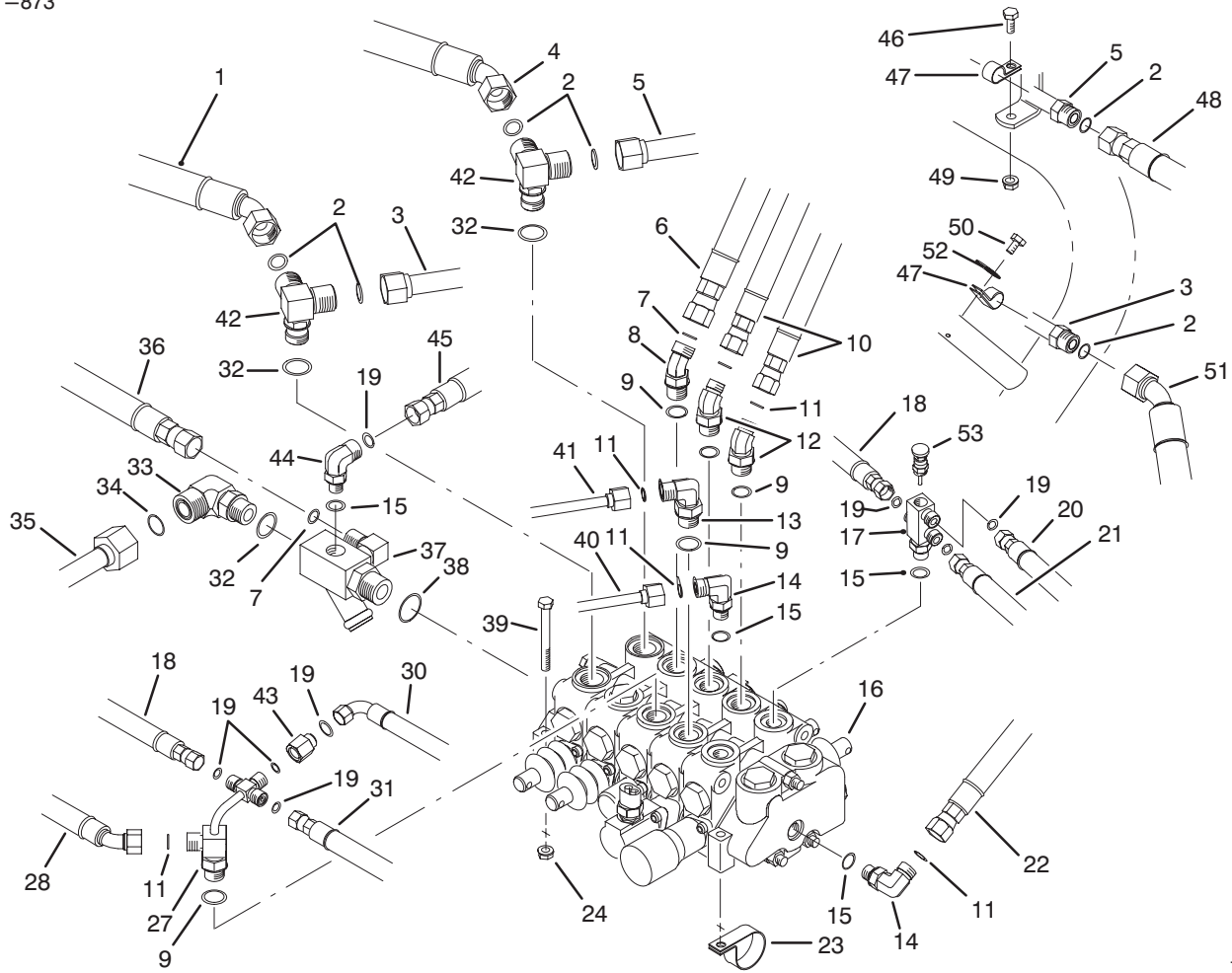
Ref. No.	Part No.	Description	No. Used
25	74-9100	Pad - Forward Pedal	1
26	256-155	Bushing - Flange	2
27	32128-20	Nut - Flange Lock	1
28	32121-45	Pin - Roll	1
29	83-0630	Arm - Traction Pivot	1
30	2411-42	Joint - Ball L.H. Thread	1
31	3220-20	Nut - Jam L.H. Thread	1
32	83-0580	Rod - Traction Control	1
33	2411-43	Joint - Ball R.H. Thread	1
34	77-0480	Screw - Traction Stop	1
35	49-6250	Bracket - Traction Pivot	1
36	322-5	Screw - Cap Hex. Hd.	2
37	49-6290	Shaft - Traction Pivot	1
38	12-3270	Screw - Hex. Washer Hd.	1
39	32121-6	Pin - Roll	1
40	47-5320	Lever - Control	1
41	3272-6	Pin - Cotter	1
42	49-6440	Pedal - Forward	1
43	32121-51	Pin - Roll	1
44	93-9936	Bracket - Cable	1
45	93-9937	Cable - Traction Return	1
46	283-62	Pin - Clevis	1
47	3272-10	Pin - Cotter	1
48	3217-6	Nut - Hex.	1
49	3219-2	Nut - Hex.	1



T-1294

CONTROL VALVE INSTALLATION ASSEMBLY

Ref. No.	Part No.	Description	No. Used	Ref. No.	Part No.	Description	No. Used
1	83-2450	Hose – Hydraulic	1	22	83-1170	Hose – Hydraulic	1
2	237-65	Seal – O-Ring	6	23	304-61	Clamp – R	1
3	70-7130	Tube Assy. (Incl. Ref. #2)	1	24	32128-20	Nut – Flange Lock	3
4	83-2460	Hose – Hydraulic	1	27	83-1670	Fitting – Special (Incl. Ref. #9, 11 & 19)	1
5	83-1200	Tube Assy. (Incl. Ref. #2)	1	28	74-3830	Hose – Hydraulic	1
6	83-1180	Hose – Hydraulic	1	30	83-1680	Hose – Hydraulic	1
7	237-30	Seal – O-Ring	2	31	63-3850	Hose – Hydraulic	1
8	340-101	Fitting – Hydraulic 45° (Incl. Ref. #7 & 9)	1	32	237-80	Seal – O-Ring	3
9	237-79	Seal – O-Ring	4	33	340-16	Fitting – Hydraulic 90° (Incl. Ref. #32 & 34)	1
10	83-1190	Hose – Hydraulic	2	34	237-58	Seal – O-Ring	1
11	237-22	Seal – O-Ring	6	35	63-4040	Tube – Hydraulic	1
12	340-138	Fitting – Hydraulic 45° (Incl. Ref. #9 & 11)	2	36	63-3840	Hose – Hydraulic	1
13	340-18	Fitting – Hydraulic 90° (Incl. Ref. #9 & 11)	1	37	68-5260	Fitting – Manifold Tee (Incl. Ref. #7 & 38)	1
14	340-77	Fitting – Hydraulic 90° (Incl. Ref. #11 & 15)	2	38	237-81	Seal – O-Ring	1
15	237-42	Seal – O-Ring	4	39	322-14	Screw – Cap Hex. Hd.	3
16	84-2203	Control Valve Assembly	1	40	63-4020	Tube – Hydraulic	1
17	93-2555	Fitting – Valve Body (Incl. Ref. #15 & 19)	1	41	63-4030	Tube – Hydraulic	1
18	63-3880	Hose – Hydraulic	2	42	63-4050	Fitting – Tee (Incl. Ref. #2 & 32)	2
19	237-21	Seal – O-Ring	6	43	71-0990	Orifice (Incl. Ref. #19)	1
20	88-9700	Hose – Hydraulic	1	44	340-137	Fitting – Hydraulic 45° (Incl. Ref. #15 & 19)	1
21	83-1690	Hose – Hydraulic	1				



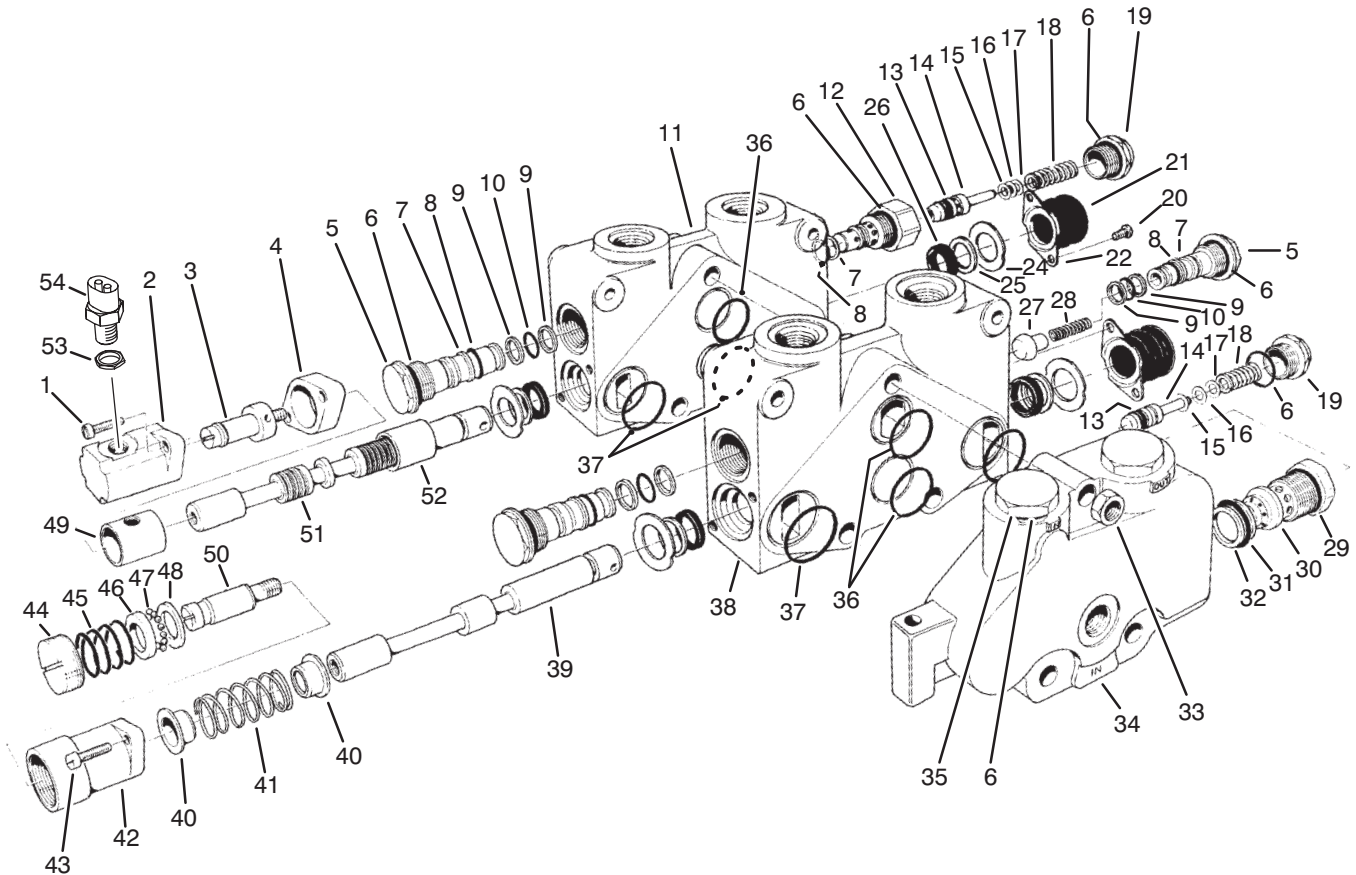
T-1294

CONTROL VALVE INSTALLATION ASSEMBLY (Continued)

Ref. No.	Part No.	Description	No. Used
45	83-1350	Hose – Hydraulic	1
46	3234-4	Screw – Cap Hex. Hd.	1
47	2412-41	Clamp–R	2
48	70-7150	Hose – Hydraulic	1
49	3296-16	Nut – Lock	1
50	12-3270	Screw – Thread Forming	1

Ref. No.	Part No.	Description	No. Used
51	70-8610	Hose – Hydraulic	1
52	3256-22	Washer – Flat	1
53	93-2554	Valve – Needle	1
*	93-2556	Needle Valve Assembly (Incl. Ref. #15, 17, 19 & 53)	1

*Not Illustrated

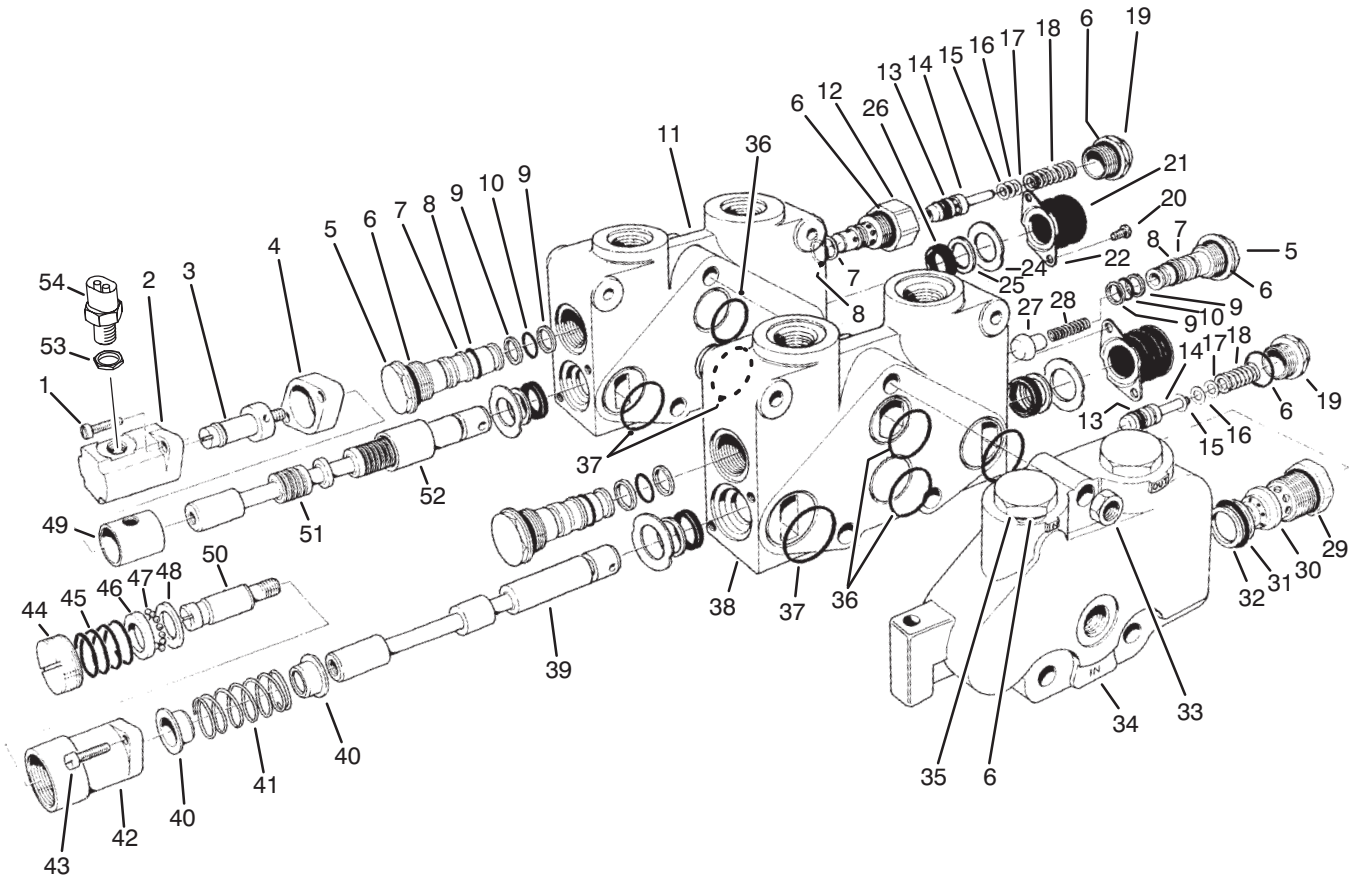


T-1318A

CONTROL VALVE ASSY. NO. 84-2203 (Sections 1 & 2)

Ref. No.	Part No.	Description	No. Used	Ref. No.	Part No.	Description	No. Used
1	3274-70	Screw - Hex, Socket Hd.	2	25	92-2546	Wiper - Seal	4
2	353-727	Bonnet	1	26	353-957	Seal - Lip	4
3	353-729	Spud - Detent	1	27	353-301	Poppet	1
4	353-733	Spacer - Bonnet	1	28	353-304	Spring	1
5	353-481	Plug - Load Check (Incl. Ref. #6-10)	3	29	353-331	O-Ring	1
6	237-54	O-Ring	8	30	353-760	Body Relief	1
7	353-306	Ring - Backup	4	31	353-758	Seal - O-Ring	1
8	353-305	O-Ring	4	32	353-952	Ring - Backup	1
9	353-303	Ring - Backup	6	33	3217-7	Nut - Hex	3
10	353-302	O-Ring	3	34	353-772	Left End Cover	1
11		Housing V20T	1	35	353-721	Plug (Incl. Ref. #6)	2
12	353-851	Body - Relief CP-RC Mod.	1	†36		O-Ring	3
13	353-392	Seal - Relief Poppet PTFE	2	†37		O-Ring	4
14	353-531	Poppet Assy. (Incl. Ref. #13)	2	†38		Housing Section #1	1
15	353-328	Washer - Shim	A/R	†39		Spool V20 SPL	1
16	353-329	Washer - Shim	A/R	40	353-417	Collar Spring	2
17	353-330	Washer - Shim	A/R	41	92-3058	Spring - Centering	1
18	353-855	Spring	2	42	353-780	Bonnet - R. Detent	1
19	353-334	Cap - Relief	2	43	3274-15	Screw - Fillister Hd.	2
20	3274-52	Screw - Hex, Socket Hd.	4	44	353-763	Cap - Adjustment	1
21	353-575	Boot - Dust Cap	2	45	353-579	Spring	1
22	93-3651	Retainer - Boot	2	46	42-2680	Race R. Detent	1
24	92-2547	Plate - Seal Retainer	4	47	52-5880	Ball - Steel	12
				48	354-29	Plate - Thrust	1

†Parts Available as Assemblies Listed as (*Not Illustrated) on Following Page



T-1318A

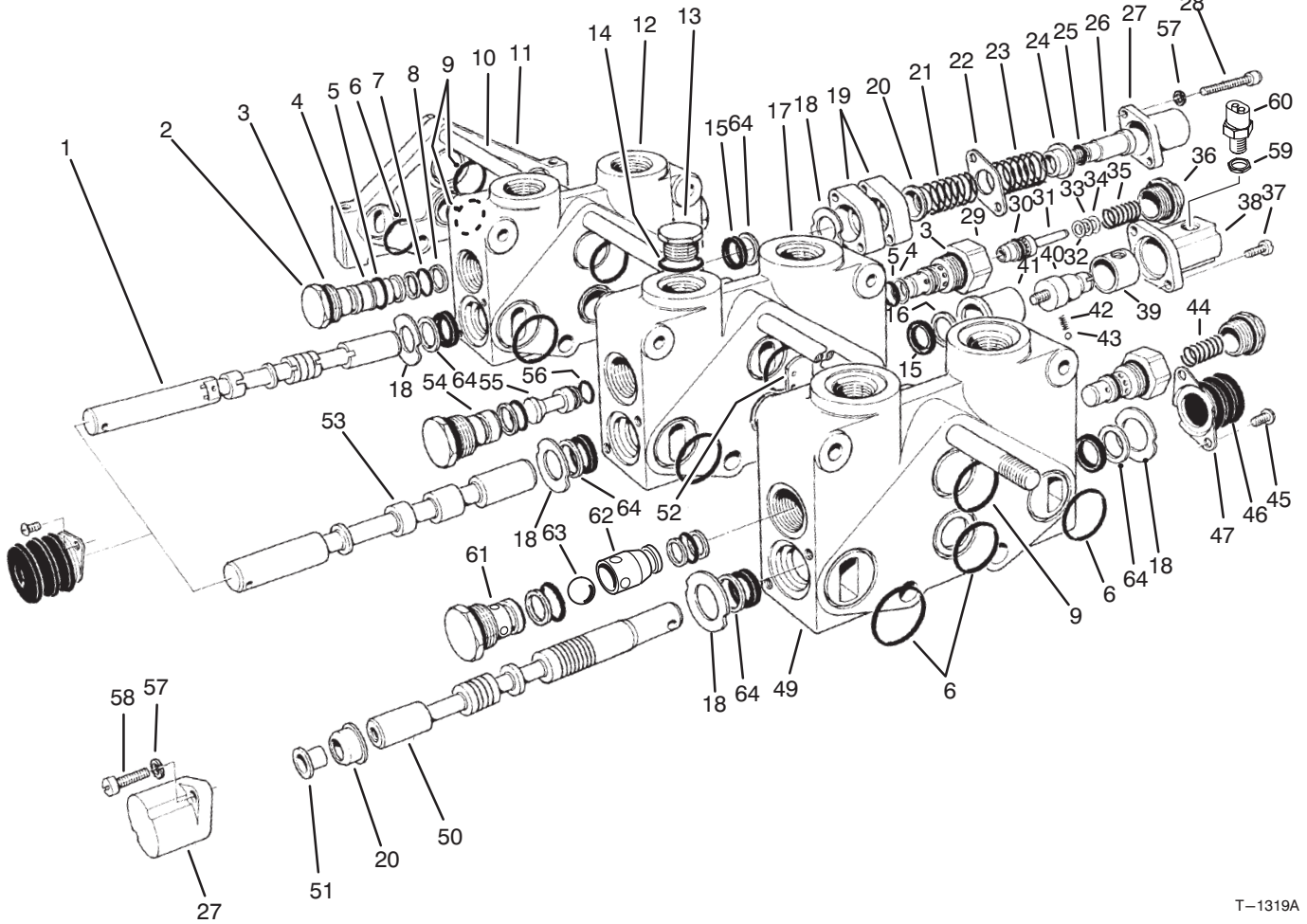
CONTROL VALVE ASSEMBLY NO. 84-2203 (Sections 1 And 2) (Continued)

Ref. No.	Part No.	Description	No. Used
49	353-728	Sleeve	1
50	353-762	Spud - Detent Out (Incl. Ref. #44)	1
†51		Spool V20 3 Way F.F.	1
52	353-732	Sleeve - Detent	1
53	38-0410	Nut - Hex.	1
54	83-1890	Switch - Ball	1
*	353-766	Relief WH (2000) PSI Assy. (Incl. Ref. #6,13-19 & 29-32)	1
*	353-768	Section #1 Complete	1
*	353-837	Section #2 Complete	1
*	353-780	Positioner - R. Detent (Out) (Incl. Ref. #3 & 40-49)	1

Ref. No.	Part No.	Description	No. Used
*	353-839	Positioner - DI (SPL) Assy. (Incl. Ref. #1, 3-5, 50 & 52)	1
*	353-642	Relief - RC Mod. (Incl. Ref. #6-8 & 12-19)	2
*	93-3652	Boot - Spool Assembly (Incl. Ref. #20-22)	2
*	353-835	Seals - Section Set (Incl. Ref. #36 & 37)	1
*	92-2548	Seals - Spool (Single End Set) (Incl. Ref. #24-26)	1
*	92-2545	Seals - Spool (Entire Valve Set)	1

*Not Illustrated

†Parts Available as Assemblies Listed as (*Not Illustrated) on This Page



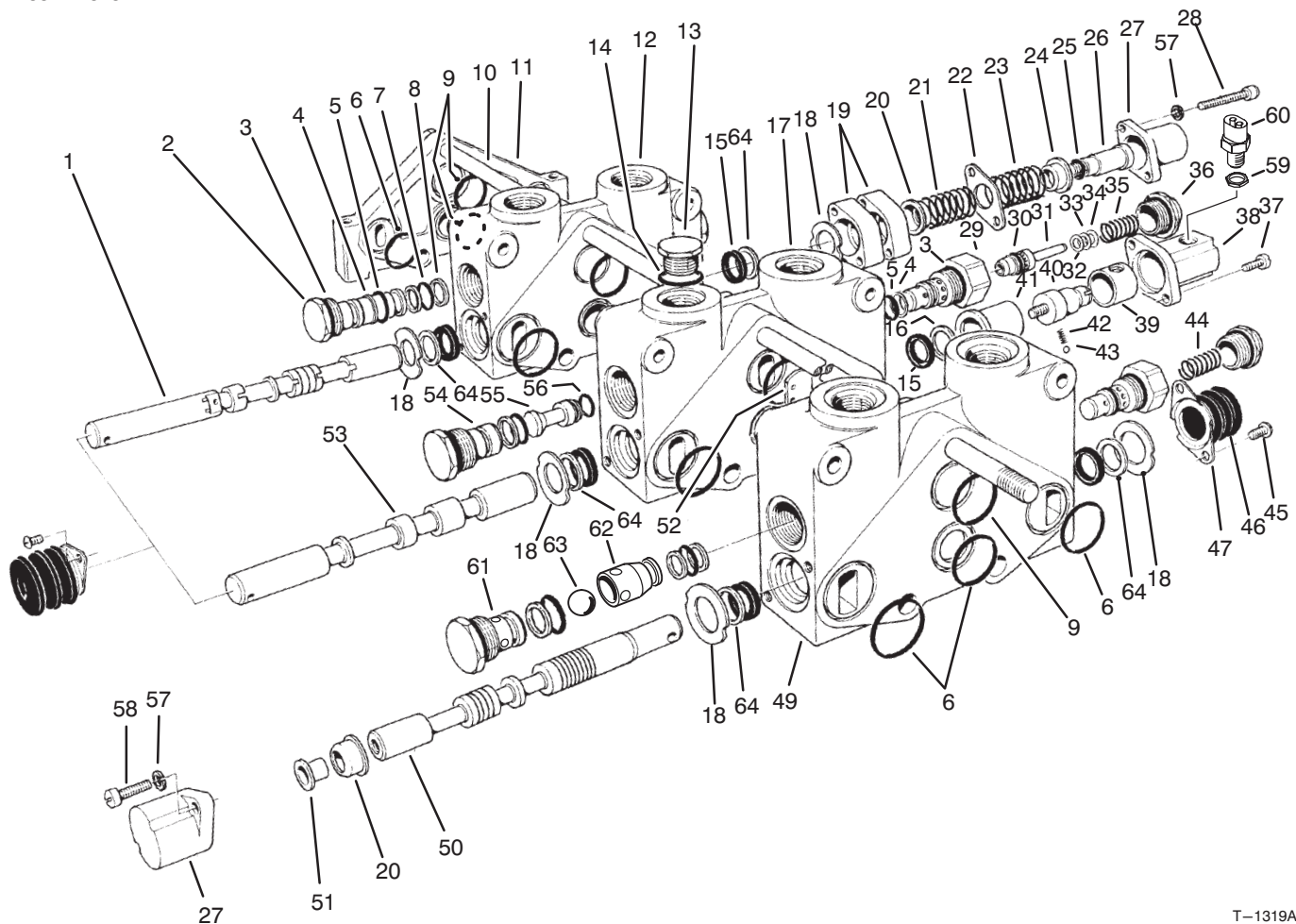
T-1319A

CONTROL VALVE ASSY. NO. 84-2203 (Sections 3 Thru 5)

Ref. No.	Part No.	Description	No. Used
1	94-5434	Spool #5	1
2	353-481	Plug - Load Check (Incl. Ref. #3-5 & 7-8)	3
3	237-54	O-Ring	6
4	353-306	Ring - Backup	5
5	353-305	O-Ring	5
†6		O-Ring	11
7	353-302	O-Ring	3
8	353-303	Ring - Backup	6
†9		O-Ring	5
10	353-853	Bolt - Hex Hd.	3
11	353-668	Plate - Cap, Cover RH	1
12		Housing V20 #5	1
13	353-550	Plug Assembly (Incl. Ref. #14)	1
14	353-848	O-Ring	1
15	353-957	Seal - Lip	6
16	353-958	Ring - Backup	1
†17		Housing V20 #4	1
18	92-2547	Plate - Seal Retainer	5
19	353-733	Spacer - Bonnet	2
20	353-417	Collar Spring	2
21	353-831	Spring	1
22	353-529	Plate Seal	1
23	92-3148	Spring	1

Ref. No.	Part No.	Description	No. Used
24	353-808	Collar - Spring	1
25	353-830	O-Ring	1
26	94-4248	Collar Spool	1
27	354-26	Bonnet	2
28	354-28	Screw - Hex, Socket Hd.	2
29	353-851	Body - Relief CP-RC Mod.	2
30	353-392	Seal - Relief Poppet PTFE	2
31	353-531	Poppet Assembly (Incl. Ref. #30)	2
32	353-328	Washer - Shim	A/R
33	353-329	Washer - Shim	A/R
34	353-330	Washer - Shim	A/R
35	353-398	Spring	1
36	353-334	Cap - Relief	2
37	52-5900	Screw - Fillister Hd.	4
38	353-847	Bonnet (SPL)	1
39	353-849	Sleeve	1
40	353-846	Spud - DI (SPL)	1
41	353-845	Sleeve - Detent	1
42	353-730	Spring	1
43	353-731	Ball	1
44	353-855	Spring	1
45	3274-52	Screw - Hex. Socket Hd.	6
46	353-575	Boot - Dust Cap	3
47	93-3651	Retainer - Boot	3

†Parts Available as Assemblies Listed as (*Not Illustrated) on Following Page



T-1319A

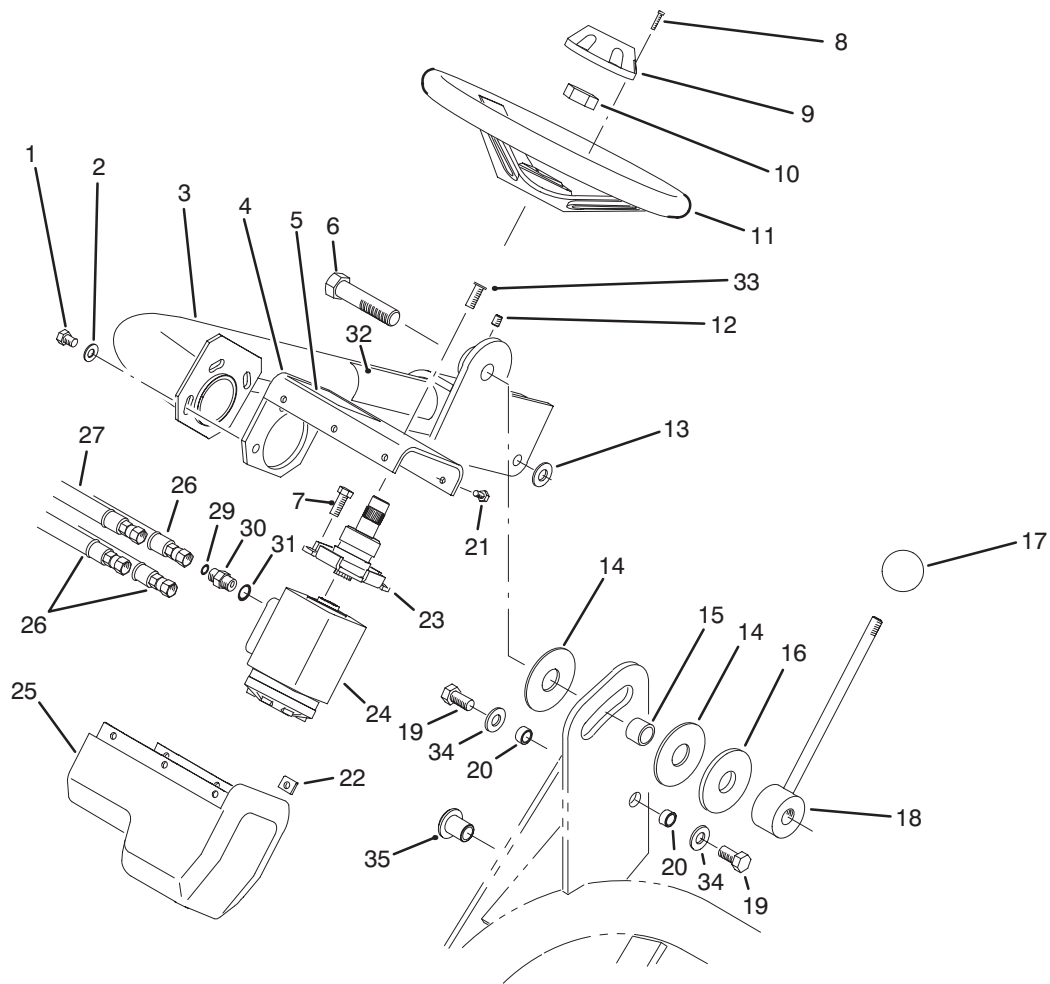
CONTROL VALVE ASSEMBLY NO. 84-2203 (Sections 3 Thru 5) (Continued)

Ref. No.	Part No.	Description	No. Used
49		Housing V20 #2	1
†50		Spool V20 3 Way F.F.	1
51	52-5860	Collar - Spool	1
52	354-122	Disc - Seal	1
†53		Spool #4	1
54	353-953	Plug Assembly	1
55	353-844	Plus Series (Incl. Ref. #56)	1
56	353-850	O-Ring	1
57	3253-3	Washer - Lock	4
58	3274-84	Screw - Cap, Hex. Hd.	4
59	38-0410	Nut - Hex.	1
60	83-1890	Switch - Ball	1
61	353-483	Body - Anticavitation	1
62	353-484	Retainer - Ball	1
63	353-737	Ball	1
64	92-2546	Wiper - Seal	5
*	354-129	Anticavitation Check Assy. (Incl. Ref. #3, 4, 5, 7, 8 & 61-63)	1
*	353-835	Seals - Section Set (Incl. Ref. #6 & 9)	1
*	93-3652	Boot - Spool Assembly (Incl. Ref. #45-47)	3
*	354-131	Section #3 Assembly (Complete)	1

Ref. No.	Part No.	Description	No. Used
*	354-25	Section #4 Assembly (Complete)	1
*	93-1386	Section #5 Assembly (Complete)	1
*	353-841	Position - Spool Assembly (Incl. Ref. #20 27 37 & 51)	1
*	353-840	Position - DI (SP) Assy. (Incl. Ref. #37-43)	1
*	353-642	Relief - RC Mod. Assembly (Incl. Ref. #3-5 & 29-36)	1
*	353-833	Positioner Assembly (Incl. Ref. #19-28)	1
*	84-2203	Control Valve Assembly Complete	1
*	92-2548	Seals - Spool (Single End Set) (Incl. Ref. #15, 18 & 64)	1
*	92-2549	Seals - Spool (End Set #4 Rear Only) (Incl. Ref. #15, 16 & 18)	1
*	92-2545	Seals - Spool (Entire Valve Set)	1

*Not Illustrated

†Parts Available as Assemblies Listed as (*Not Illustrated) on This Page

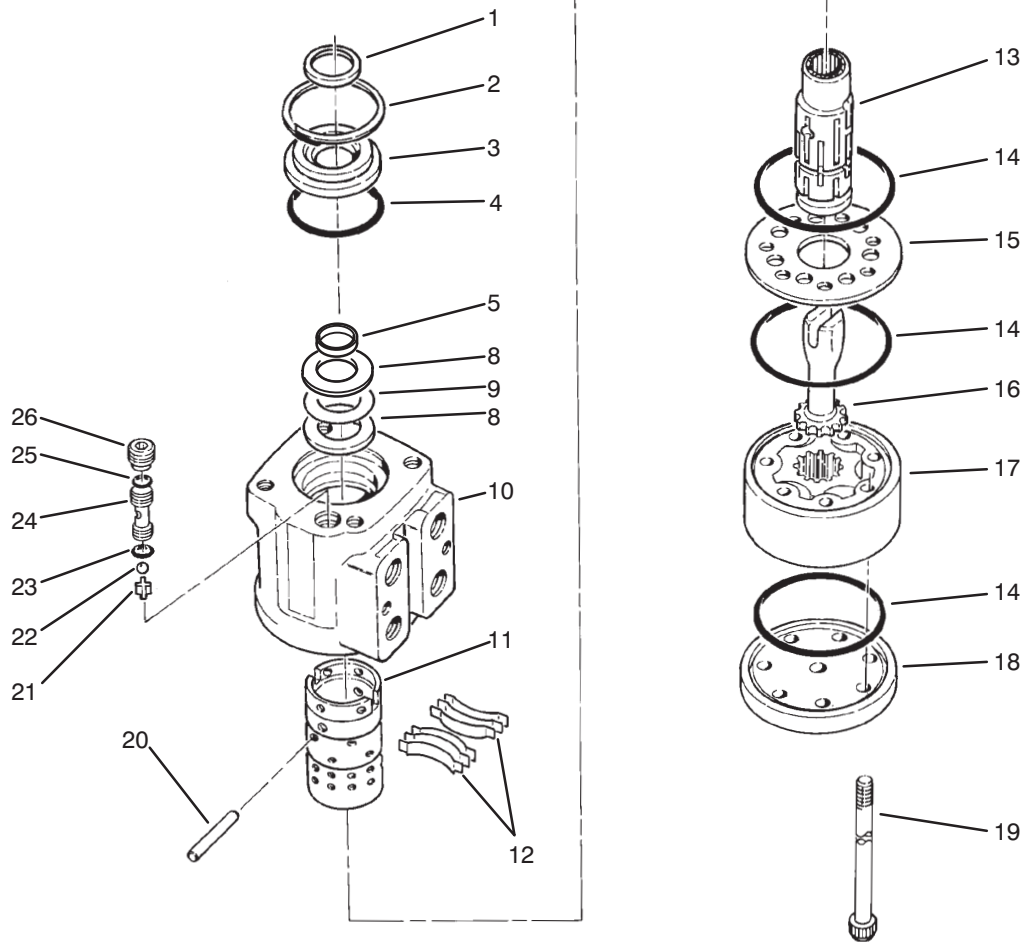


T-1291

STEERING ARM ASSEMBLY

Ref. No.	Part No.	Description	No. Used	Ref. No.	Part No.	Description	No. Used
1	3274-80	Screw - Cap Hex. Hd.	3	19	325-4	Screw - Cap Hex. Hd.	2
2	3256-80	Washer - Flat	3	20	47-2890	Bushing - Sleeve	2
3	83-0650	Arm - Steering	1	21	3274-39	Screw - Cap Hex. Hd.	6
4	83-0780	Support - Steering Valve	1	22	3290-277	Nut - Speed	6
‡5	83-1790	Decal - Warning	1	23	83-1420	Column - Steering	1
6	83-0750	Screw - Cap Hex. Hd. L.H.	1	24	92-8690	Steering - Valve Assembly	1
7	323-4	Screw - Cap Hex. Hd.	2	25	83-0810	Cover - Steering Valve	1
8	32144-21	Screw - Round Hd.	2	26	83-1350	Hose - Hydraulic	2
9	68-5140	Cap - Steering Wheel	1	27	83-1360	Hose - Hydraulic	1
10	47-6990	Nut - Steering Wheel	1	28	83-1370	Hose - Hydraulic	1
11	68-5130	Steering Wheel Assembly (Incl. Ref. #8 & 9)	1	29	237-21	Seal - O-Ring	4
12	3246-3	Screw - Set	1	30	340-1	Fitting - Hydraulic Straight (Incl. Ref. #29 & 31)	4
13	65-6390	Washer - Thrust	1	31	237-42	Seal - O-Ring	4
14	83-0740	Disc - Friction	2	‡32	83-2050	Decal - Steering Arm	1
15	83-0730	Spacer - Lockup	1	33	3274-63	Screw - Hex. Socket Hd.	2
16	83-0760	Plate - Lockup	1	34	3256-26	Washer - Flat	2
17	233-48	Knob	1	35	83-1700	Bushing - Flange	1
18	83-0700	Handle - Lockup	1				

‡For different language versions of this part, see International Parts Page.



T-1442

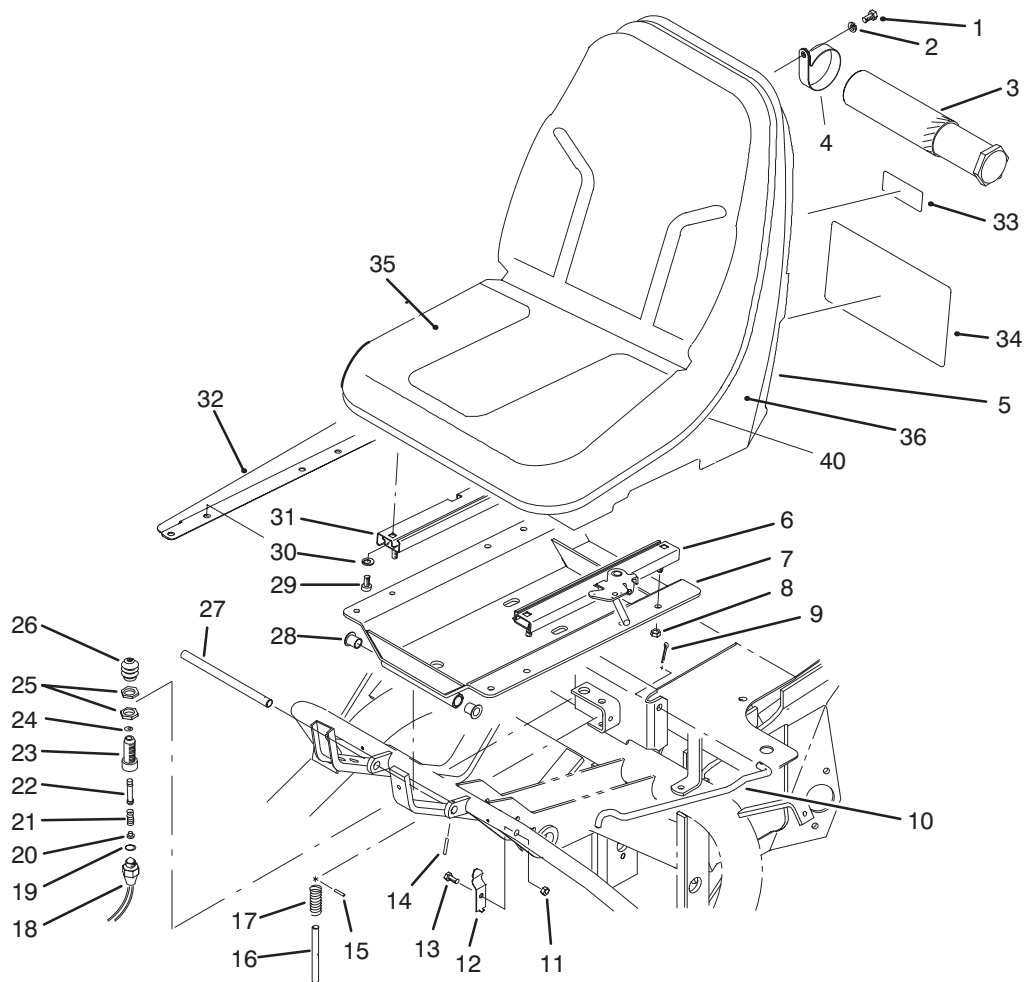
POWER STEERING VALVE NO. 92-8690

Ref. No.	Part No.	Description	No. Used
†1		Seal - Dust	1
2	52-9230	Ring - Retaining	1
3	92-8691	Bushing - Seal Gland	1
†4		O-Ring	1
†5		Seal - One Piece	1
8	59-6730	Race - Bearing	2
9	59-6740	Bearing - Needle Thrust	1
†10		Housing	1
†11		Sleeve - Control	1
12	83-1860	Centering Spring Kit	1
†13		Spool - Control	1
†14		O-Ring	3
15	92-8697	Plate - Wear	1
16	70-8250	Drive	1
17	83-1870	Gerotor	1

Ref. No.	Part No.	Description	No. Used
18	67-8113	Cap - End	1
19	92-8696	Screw - Torx Hd.	7
20	59-6830	Centering Pin Kit	1
21	52-9290	Retainer - Ball Check	1
22	52-9280	Ball - Check	1
†23		O-Ring	1
24	52-9270	Seat - Ball Check	1
†25		O-Ring	1
26	52-9260	Screw - Set	1
*	83-1880	Control Parts Assembly (Incl. Ref. #10-13 & 20)	1
*	92-8695	Seal Kit (Incl. Ref. #1, 4, 5, 14, 23 & 25)	1

*Not Illustrated

†Not Serviced Separately



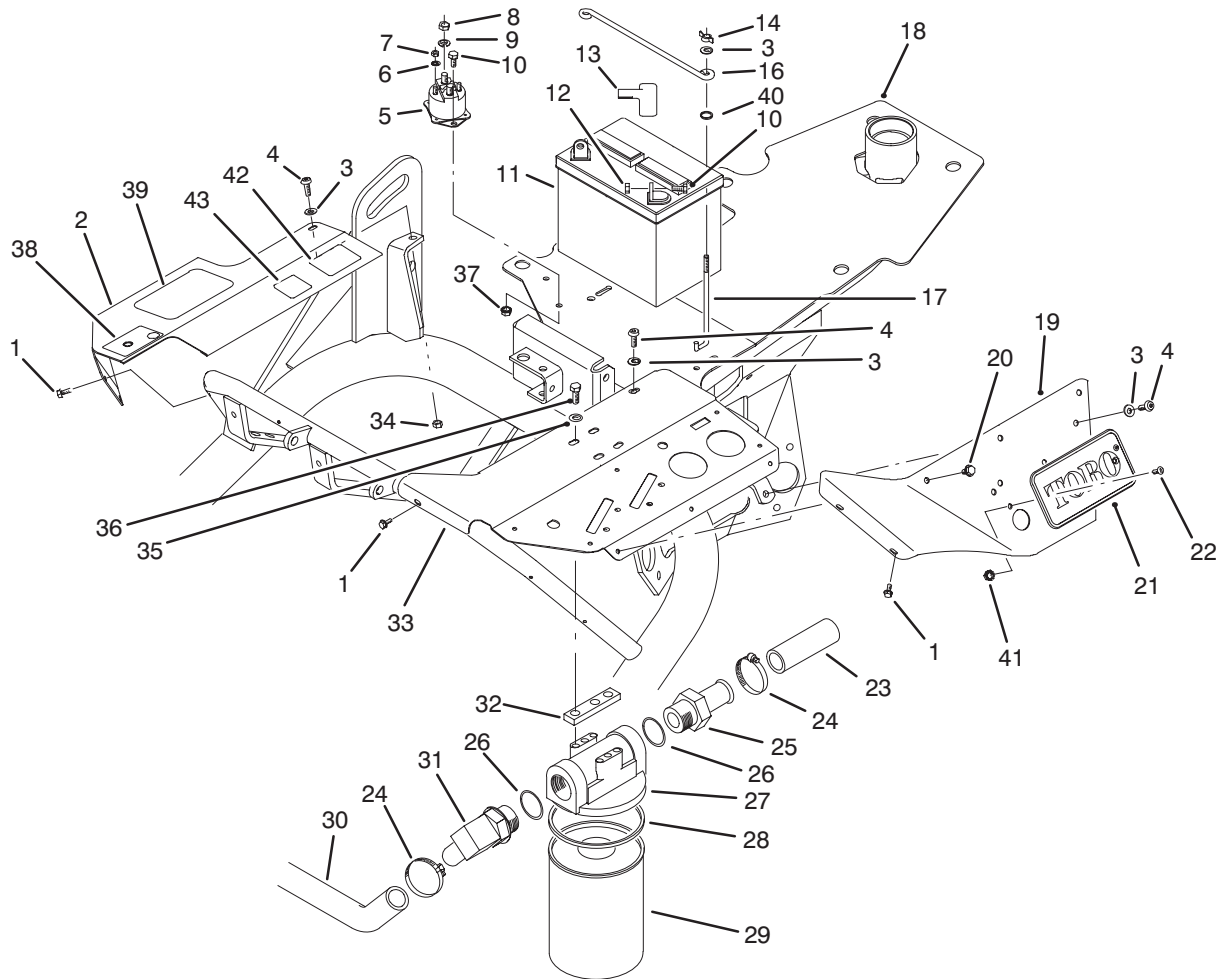
T-1290

SEAT ASSEMBLY

Ref. No.	Part No.	Description	No. Used	Ref. No.	Part No.	Description	No. Used
1	322-2	Screw - Cap Hex. Hd.	2	20	43-8610	Seat - Ball	1
2	3253-4	Washer - Lock	2	21	43-8600	Spring - Compression	1
3	74-0720	Tube - Manual	1	22	43-8860	Plunger - Switch	1
4	2412-133	Clamp - R	2	23	43-8620	Guide - Switch	1
5	92-1180	Seat Assembly (Incl. Ref. #35, 36 & 40)	1	24	237-7	Seal - O-Ring	1
6	51-0790	Adjuster - Seat	1	25	218-461	Nut - Hex.	2
7	83-1270	Seat Support Assembly (Incl. Ref. #28)	1	26	43-8870	Boot - Switch	1
8	3296-29	Nut - Lock	4	27	49-5880	Shaft - Seat Support	1
9	3272-11	Pin - Cotter	1	28	256-155	Bushing - Flange	2
10	68-5100	Rod - Seat Prop	1	29	3274-12	Screw - Hex. Socket Hd.	4
11	3296-16	Nut - Lock	1	30	3256-23	Washer - Flat	4
12	68-5310	Clip - Seat Rod	1	31	51-0780	Slider - Seat	1
13	321-3	Screw - Cap Hex. Hd.	1	32	83-1840	Cover - R.H.	1
14	32121-45	Pin - Roll	1	‡33	58-6530	Decal - Hydraulic Oil	1
15	3284-3	Pin - Groove	1	‡34	83-1780	Decal - Service	1
16	51-0350	Pin - Seat Spring	1	35	92-6533	Kit - Cushion	1
17	3-6685	Spring - Compression	1	36	92-6534	Shell	1
18	72-4320	Switch - Ball	1	40	351-78	Edging	1
19	237-30	Seal - O-Ring	1	*	43-9071	Seat Switch Assembly (Incl. Ref. #18-26)	1

*Not Illustrated

‡For different language versions of this part, see International Parts Page.

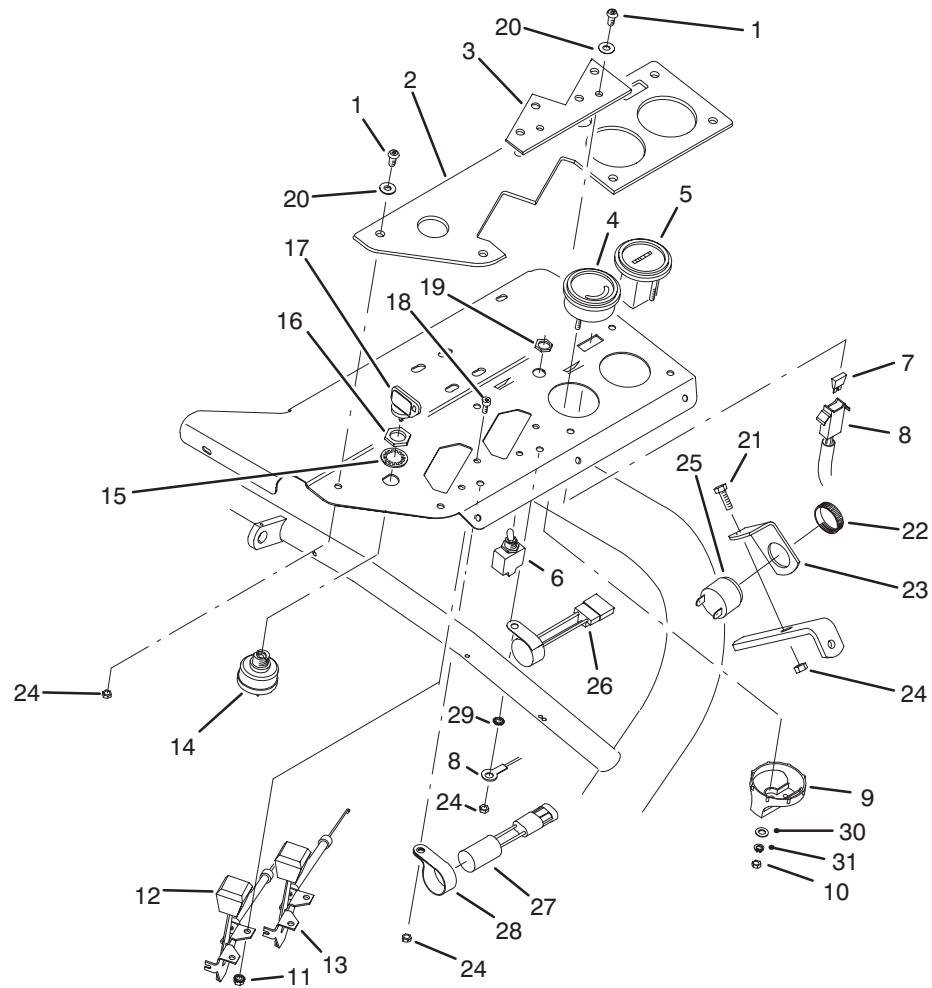


T-1295A

FRAME ASSEMBLY

Ref. No.	Part No.	Description	No. Used	Ref. No.	Part No.	Description	No. Used
1	32104-76	Screw – Self Tapping	5	25	353-563	Fitting – Hydraulic Straight (Incl. Ref. #26)	1
2	94-2694	Cover – R.H.	1	26	237-101	Seal – O-Ring	2
3	3256-22	Washer – Flat	5	27	44-5560	Head – Oil Filter	1
4	3274-64	Screw – Hex. Socket Hd.	3	28	72-3850	Seal – Filter	1
5	28-4210	Solenoid – Starter	1	29	74-3570	Filter – Hydraulic Oil (Incl. Ref. #28)	1
6	3254-1	Washer – Lock	2	30	68-5880	Hose – Hydraulic	1
7	3219-14	Nut – Hex.	2	31	353-564	Fitting – Hydraulic 90° (Incl. Ref. #26)	1
8	3218-13	Nut – Jam	2	32	27-2380	Spacer	2
9	3253-4	Washer – Lock	2	33	83-0830	Panel – Control Upper	1
10	321-3	Screw – Cap Hex. Hd.	4	34	3296-16	Nut – Lock	3
11	28-1400	Battery	1	35	3256-23	Washer – Flat	4
12	3217-5	Nut – Hex.	2	36	322-4	Screw – Cap Hex. Hd.	4
13	28-8080	Boot Terminal	1	37	32149-2	Nut – Keps	2
14	32103-12	Nut – Wing	2	‡38	83-1850	Decal – Traction	1
16	72-4790	Hold-Down – Battery	1	39	67-1300	Decal – TORO	1
17	56-7720	Bolt – Battery	2	40	237-143	Grommet	2
18	92-9164	Frame Assembly	1	41	32149-7	Nut – Keps	2
19	83-0840	Fender – L.H.	1	42	92-5524	Decal – Noise Rating	1
20	46-8560	Screw – Self Taping	3	43	63-9920	Decal – EEC	1
21	61-3310	Plate – Logo	1				
22	3290-470	Screw – Flat Hd.	2				
23	83-1430	Hose – Hydraulic	1				
24	2412-34	Clamp – Hose	2				

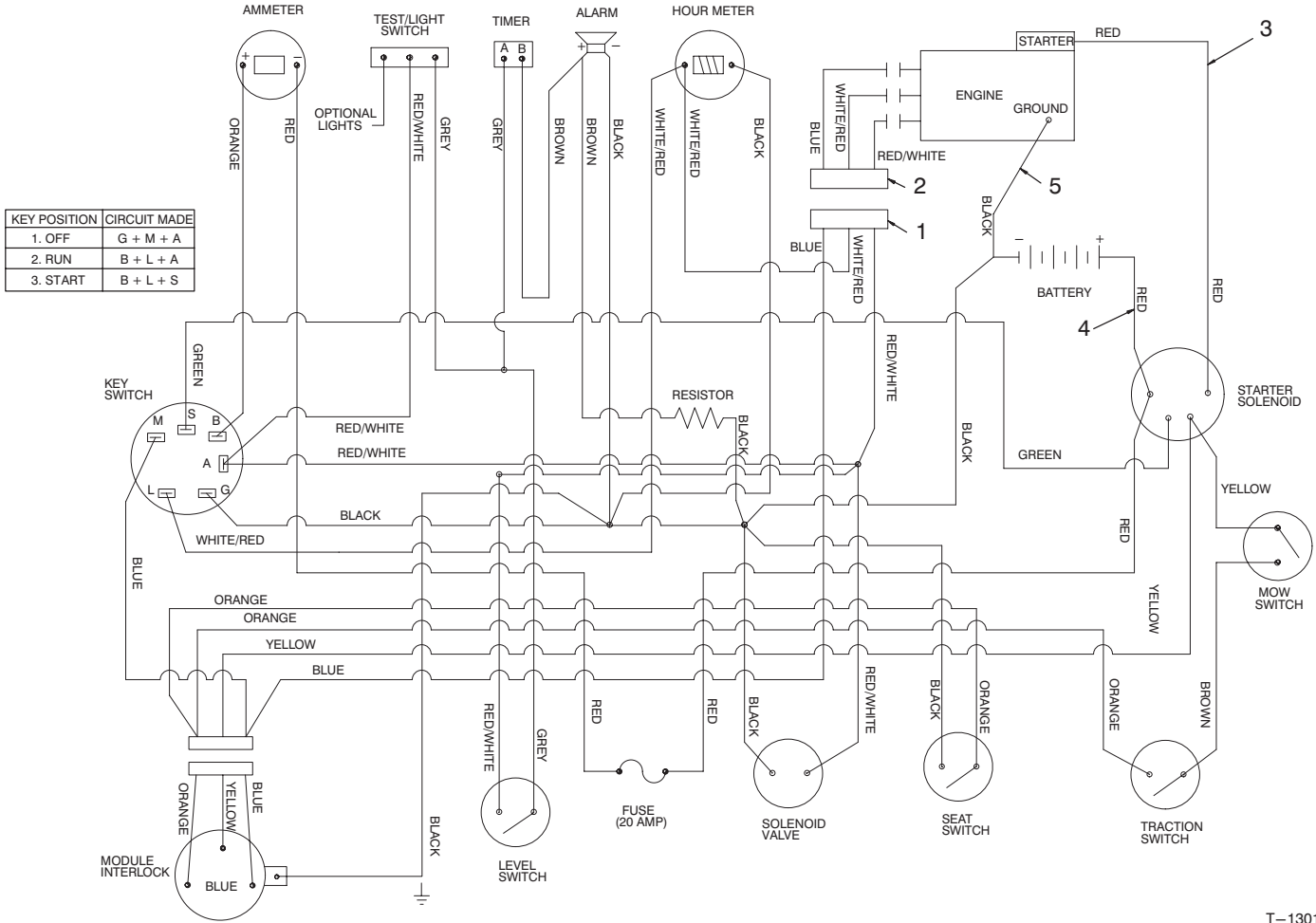
‡For different language versions of this part, see International Parts Page.



T-1296

CONTROL PANEL ASSEMBLY

Ref. No.	Part No.	Description	No. Used	Ref. No.	Part No.	Description	No. Used
1	3274-69	Screw - Hex. Socket Hd.	8	15	3254-5	Washer - Lock	1
2	83-0850	Plate - Control Panel	1	16	218-461	Nut - Hex.	1
3	83-2030	Plate - Filler	1	17	63-8360	Key - Ignition	1
4	83-0820	Gauge - Ammeter	1	18	3273-26	Screw - Hex. Socket Hd.	4
5	66-2950	Gauge - Hourmeter	1	19		Nut - Hex.	2
6	83-1660	Switch Assembly (Incl. Ref. #19)	1	20	3256-1	Washer - Flat	8
7	218-594	Fuse - 20 Amp	1	21	321-4	Screw - Cap Hex. Hd.	1
8	83-1100	Harness - Wire (Main)	1	22		Retainer - Alarm	1
9	39-9600	Clamp - Mounting	1	23	83-1530	Bracket - Alarm	1
10	3219-14	Nut - Hex.	6	24	3296-16	Nut - Lock	9
11	3296-27	Nut - Lock	4	25	80-9330	Audio Alarm Assembly (Incl. Ref. #22)	1
12	83-0030	Control - Throttle	1	26	28-7890	Module - Interlock	1
13	83-0040	Control - Choke	1	27	83-2280	Timer - Relay	1
14	83-0020	Ignition Switch Assembly (Incl. Ref. #15-16)	1	28	2412-39	Clamp - R	1
				29	3255-7	Washer - Lock	1

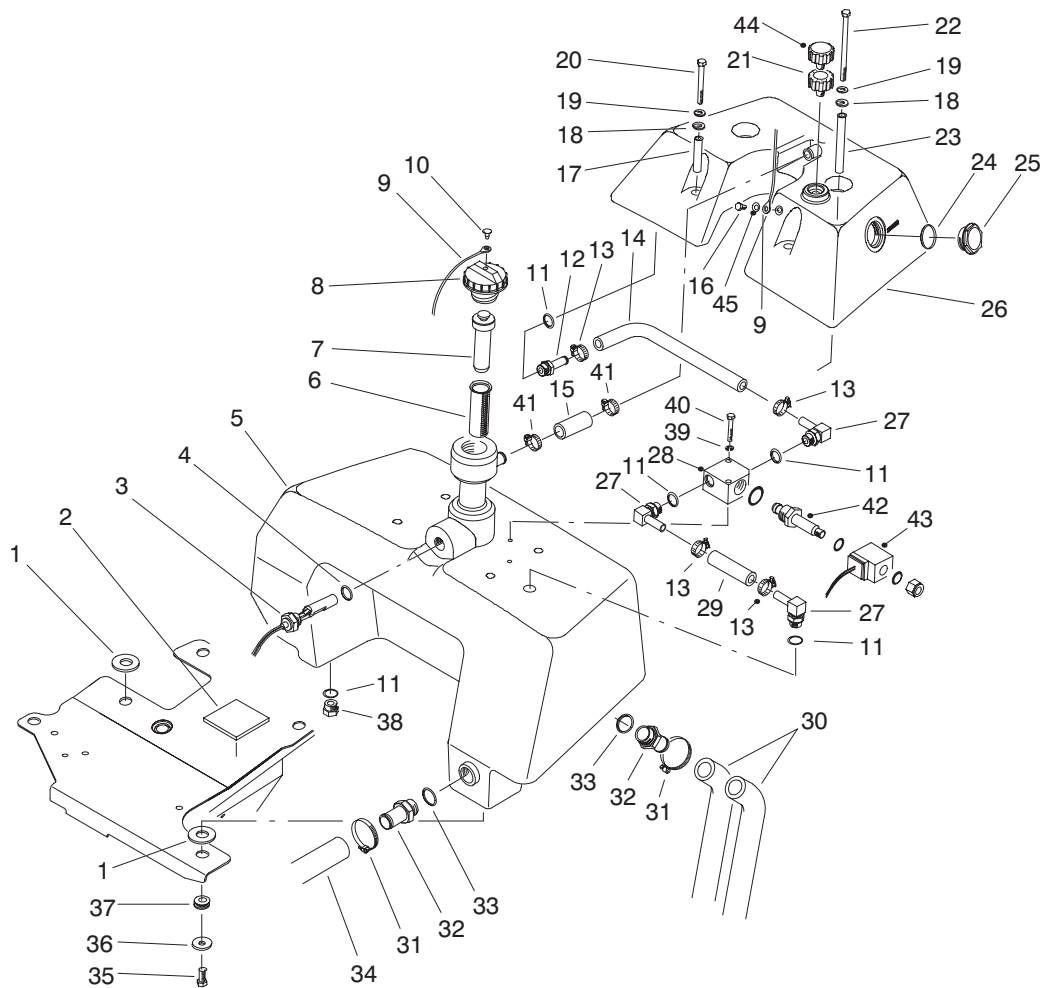


T-1301

ELECTRICAL SCHEMATIC

Ref. No.	Part No.	Description	No. Used
1	83-1100	Harness - Wire (Main)	1
2	83-1110	Harness - Wire (Engine)	1
3	83-1160	Wire - Solenoid-Starter	1

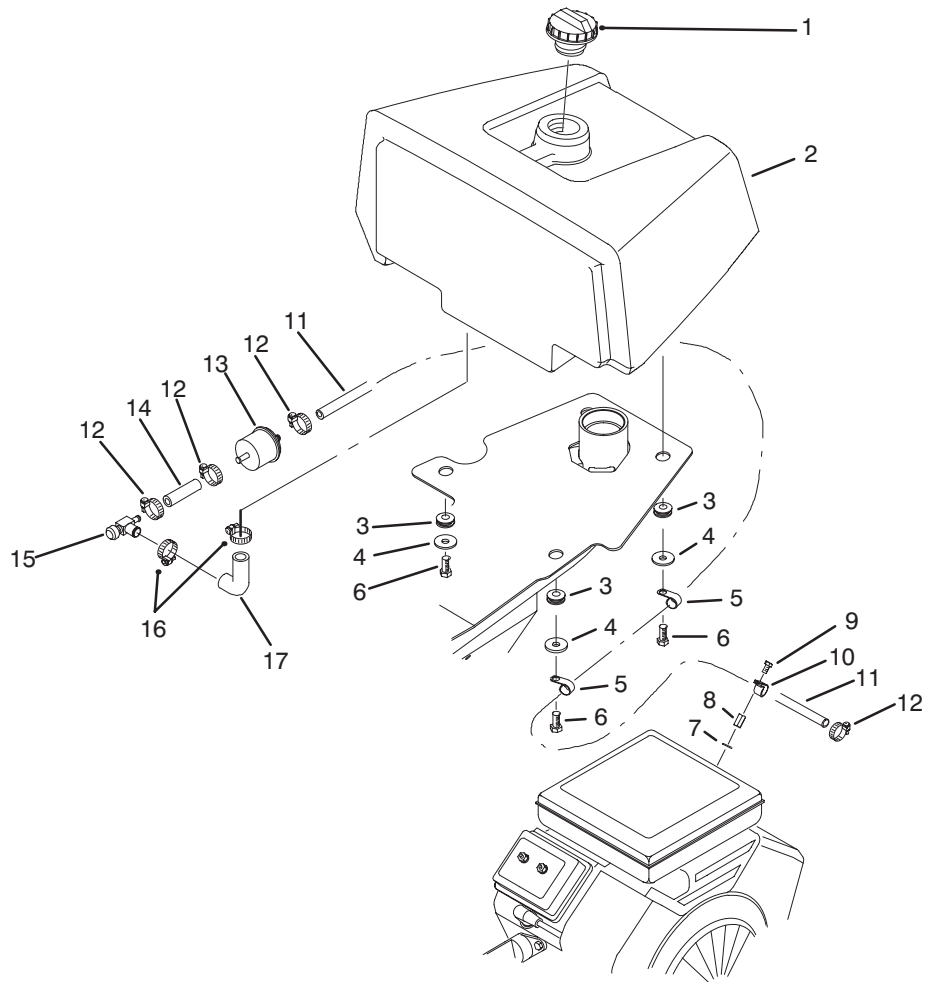
Ref. No.	Part No.	Description	No. Used
4	83-2420	Wire - Solenoid-Battery	1
5	83-1150	Wire - Engine Ground	1



T-1289

HYDRAULIC RESERVOIR ASSEMBLY

Ref. No.	Part No.	Description	No. Used	Ref. No.	Part No.	Description	No. Used
1	83-2400	Spacer – Tank	2	25	83-2250	Guage – Sight (Incl. Ref. #24)	1
2	83-2390	Pad – Tank	1	26	83-2100	Tank – Auxiliary Hydraulic	1
3	83-1450	Sensor – Oil Level	1	27	354-120	Fitting – Hydraulic 90° (Incl. Ref. #11)	3
4	237-80	Seal – O-Ring	1	28	83-1460	Solenoid Valve Assembly (Incl. Ref. #42 & 43)	1
5	92-8966	Reservoir – Hydraulic	1	29	83-2080	Hose – Valve-Tank	1
6	83-1520	Screen – Filler	1	30	83-0910	Hose – Hydraulic	2
7	92-4063	Plug – Filler Cap	1	31	2412-34	Clamp – Hose	3
8	93-7160	Cap – Hydraulic Reservoir (Incl. Ref. #9 & 10)	1	32	83-0870	Fitting – Hydraulic Straight (Incl. Ref. #33)	3
9	75-0540	Tether – Cap	1	33	237-177	Seal – O-Ring	3
10	2410-73	Retainer – Tether	1	34	83-1430	Hose – Hydraulic	1
11	237-79	Seal – O-Ring	5	35	323-6	Screw – Cap Hex. Hd.	3
12	354-121	Fitting – Hydraulic Straight (Incl. Ref. #11)	1	36	63-8410	Washer – Flat	3
13	2412-36	Clamp – Hose	4	37	240-11	Grommet	3
14	83-2070	Hose – Valve	1	38	353-550	Plug – Hydraulic (Incl. Ref. #11)	1
15	83-2090	Hose – Overflow	1	39	3253-3	Washer – Lock	2
16	321-2	Screw – Cap Hex. Hd.	1	40	321-11	Screw – Cap Hex. Hd.	2
17	83-1550	Spacer – Tank (Short)	2	41	2412-141	Clamp – Hose	2
18	83-1470	Washer – Neoprene	4	42	83-2000	Spool – Valve	1
19	3256-23	Washer – Flat	4	43	83-2010	Coil – Valve	1
20	322-14	Screw – Cap Hex. Hd.	2	44	68-6150	Breather	1
21	92-8020	Adapter – Breather	1	45	3256-22	Washer – Flat	1
22	322-29	Screw – Cap Hex. Hd.	2				
23	83-1560	Spacer – Tank (Long)	2				
24	237-123	Seal – O-Ring	1				



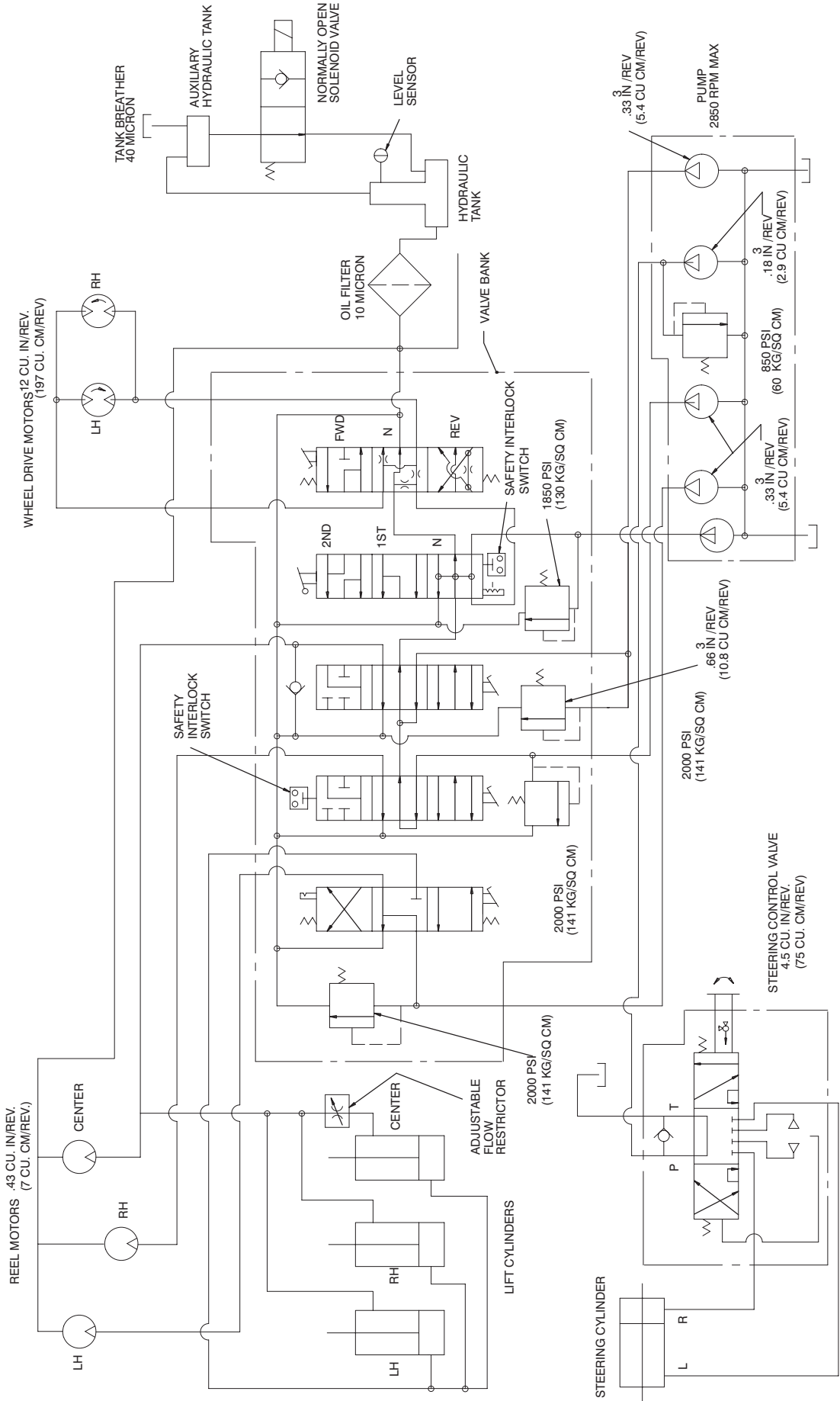
T-1317

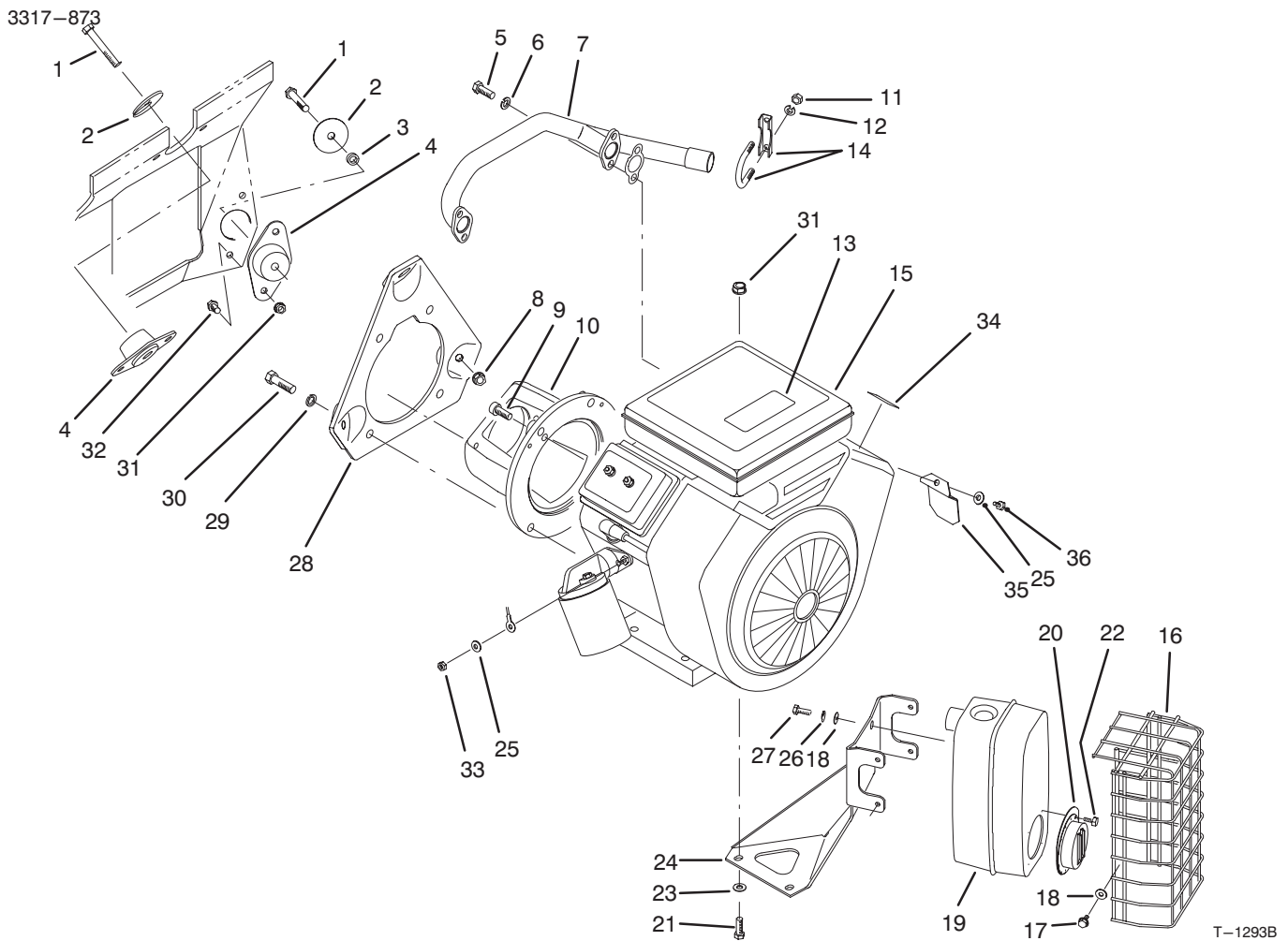
FUEL TANK ASSEMBLY

Ref. No.	Part No.	Description	No. Used
1	93-3101	Cap - Fuel	1
2	92-7189	Tank - Fuel	1
3	240-11	Grommet	4
4	63-8410	Washer - Flat	4
5	2412-41	Clamp - R	3
6	323-6	Screw - Cap Hex. Hd.	3
7	3256-63	Washer - Flat	1
8	83-2200	Nut - Special	1
9	48-7610	Screw - Cap Hex. Hd.	1

Ref. No.	Part No.	Description	No. Used
10	2412-94	Clamp - R	1
11	83-2041	Hose - Fuel	1
12	2412-108	Clamp - Hose	4
13	94-2690	Filter - Fuel	1
14	83-2040	Hose - Fuel	1
15	83-1390	Fitting - Fuel Shut-Off	1
16	2412-36	Clamp - Hose	2
17	56-2230	Hose - Fuel	1

HYDRAULIC SCHEMATIC





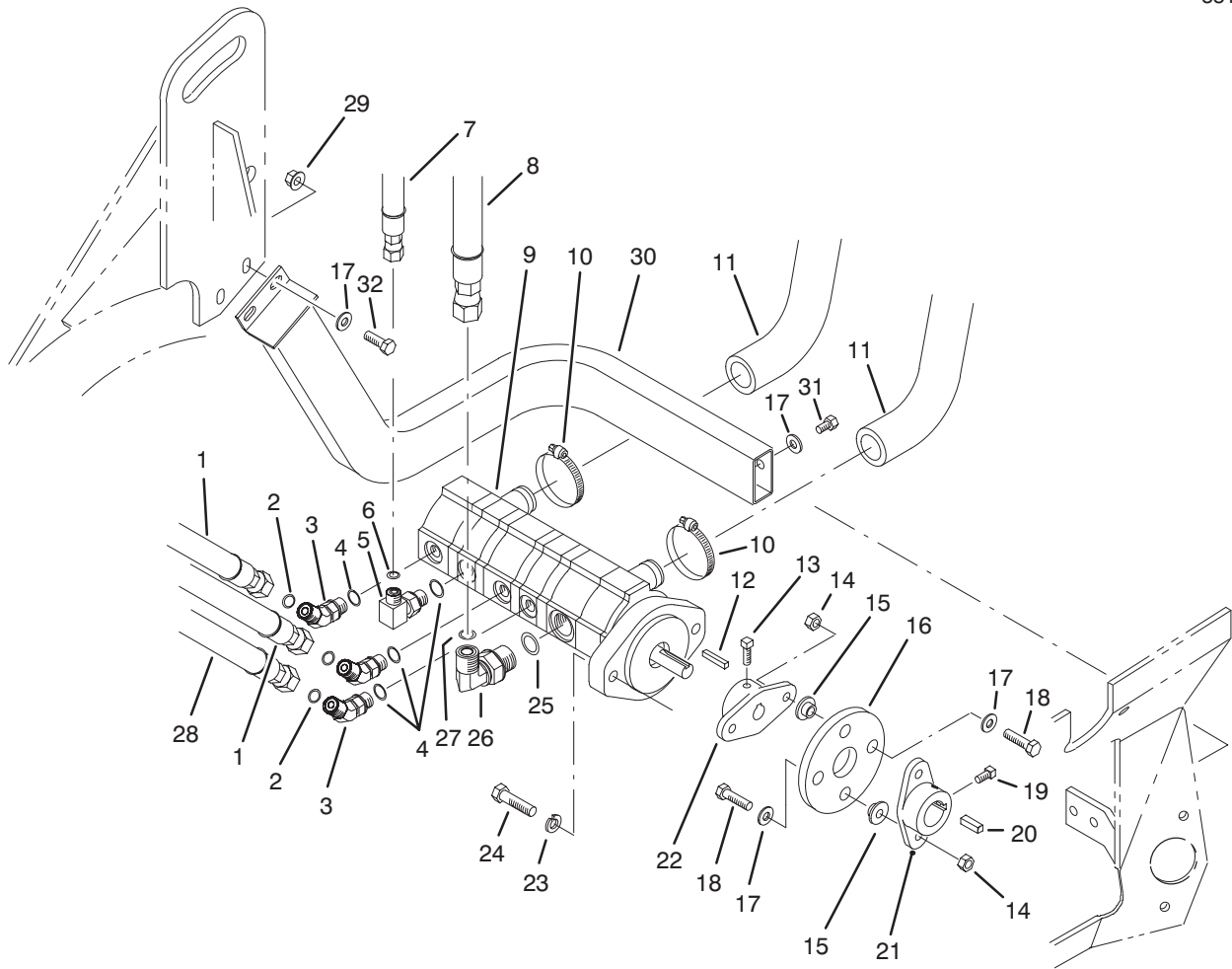
ENGINE INSTALLATION ASSEMBLY

Ref. No.	Part No.	Description	No. Used
1	323-12	Screw – Cap Hex. Hd.	3
2	83-1040	Washer – Mount	3
3	83-1050	Spacer – Mount	2
4	83-1030	Mount – Engine	3
5		Screw – Cap Hex. Hd.	4
6		Washer – Lock	4
7	83-1080	Pipe – Exhaust	1
8	3290-357	Nut – Flange Lock	3
9	3274-7	Screw – Socket Hd.	2
10	83-1060	Adapter – Pump	1
11		Nut – Hex.	2
12		Washer – Lock	2
†13	71-3620	Decal – Engine RPM	1
14	2112-11	Clamp – Muffler (Incl. Ref. #11 & 12)	1
15	83-0010	Engine Assembly (Incl. Ref. #5 & 6)	1
16	83-1400	Shield – Muffler	1
17	12-3270	Screw – Hex. Washer Hd.	4
18	3256-1	Washer – Flat	8
19	493963	Muffler	1
*	83-2240	Arrestor – Spark (Optional)	1

Ref. No.	Part No.	Description	No. Used
20	83-2220	Deflector – Exhaust	1
21	322-8	Screw – Cap Hex. Hd.	2
22	83-2230	Screw – Cap Hex. Hd.	4
23	3256-23	Washer – Flat	2
24	83-1630	Bracket – Muffler Support	1
25	43-5930	Washer – Lock	2
26	3253-3	Washer – Lock	4
27	321-4	Screw – Cap Hex. Hd.	4
28	85-8120	Plate – Engine Mount	1
29	3253-6	Washer – Lock	4
30	324-7	Screw – Cap Hex. Hd.	4
31	32128-20	Nut – Flange Lock	8
32	322-3	Screw – Cap Hex. Hd.	6
33	43-2830	Nut – Hex	1
‡34	63-8440	Decal – Warning Hot	1
35	83-2310	Shield	1
36	48-7620	Screw – Cap Hex. Hd.	1
*	3290-378	Tie – Cable	2
*	250-6	Tie – Cable	2

*Not Illustrated

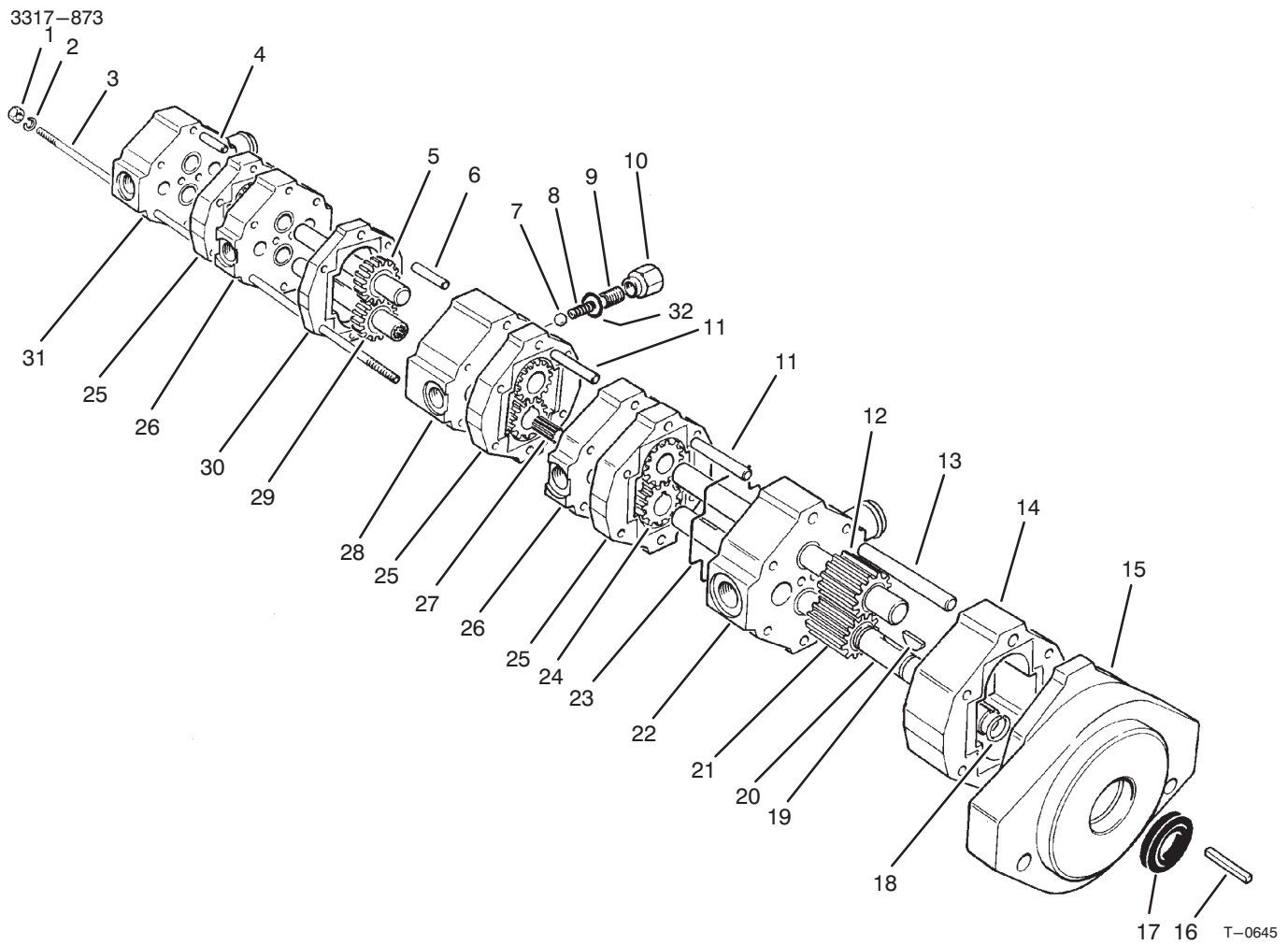
‡For different language versions of this part, see International Parts Page.



T-1292

HYDRAULIC PUMP INSTALLATION ASSEMBLY

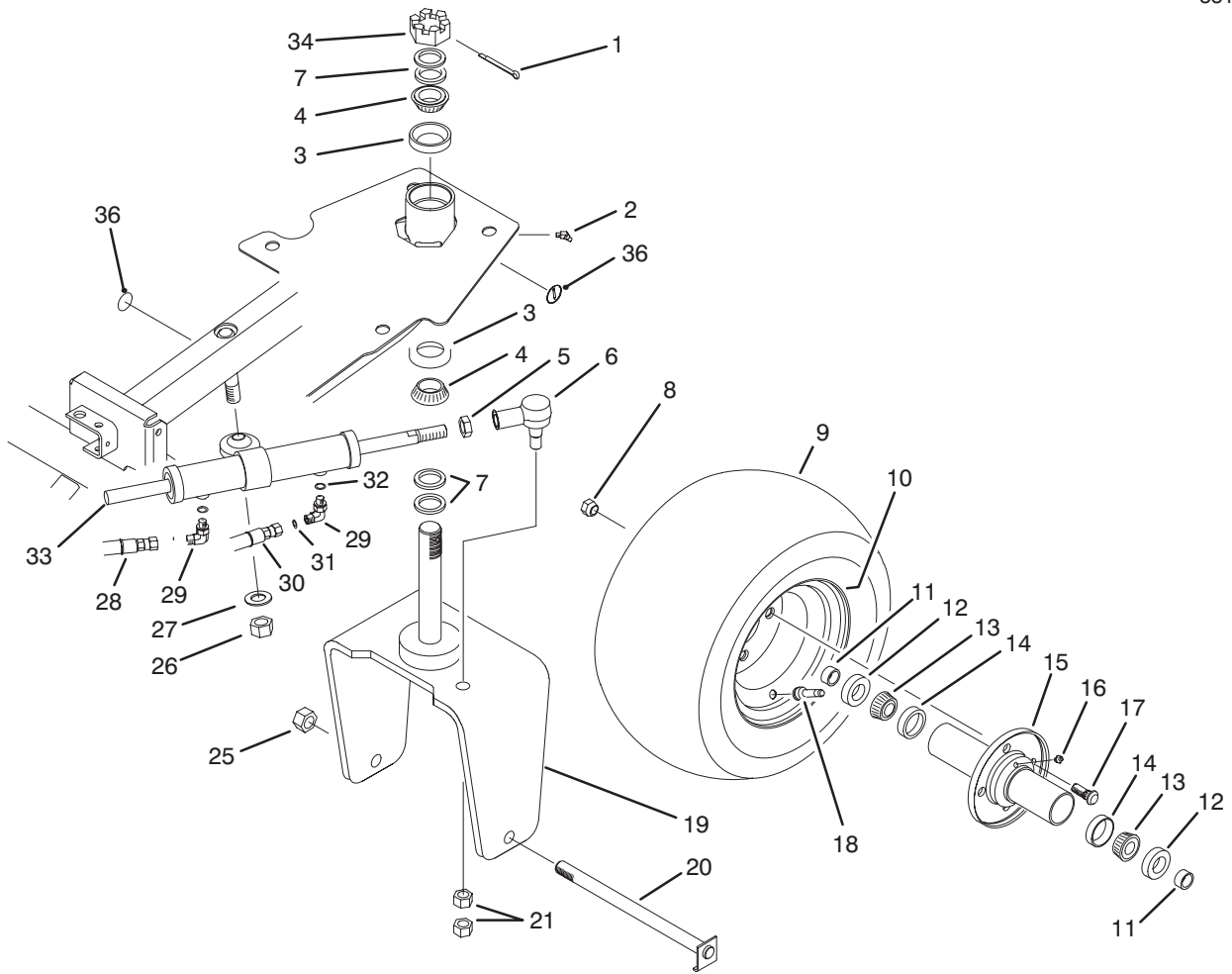
Ref. No.	Part No.	Description	No. Used	Ref. No.	Part No.	Description	No. Used
1	83-1190	Hose - Hydraulic	2	16	44-2230	Coupling - Rubber	1
2	237-22	Seal - O-Ring	3	17	3256-23	Washer - Flat	8
3	340-87	Fitting - Hydraulic 45° (Incl. Ref. #2 & 4)	3	18	322-6	Screw - Cap Hex. Hd.	4
4	237-42	Seal - O-Ring	4	19	3241-2	Screw - Set Square Hd.	2
5	340-82	Fitting - Hydraulic 90° (Incl. Ref. #4 & 6)	1	20	10-7070	Key - Square	1
6	237-21	Seal - O-Ring	1	21	27-1960	Hub - Engine	1
7	83-1350	Hose - Hydraulic	1	22	27-1970	Hub - Pump	1
8	83-1180	Hose - Hydraulic	1	23	3253-21	Washer - Lock	2
9	92-9764	Hydraulic Pump Assembly (Incl. Ref. #12)	2	24	323-8	Screw - Cap Hex. Hd.	2
10	2412-34	Clamp - Hose	2	25	237-80	Seal - O-Ring	1
11	83-0910	Hose - Pump	2	26	340-105	Fitting - Hydraulic 90° (Incl. Ref. #25 & 27)	1
12	5-0946	Key - Square	1	27	237-30	Seal - O-Ring	1
13	3241-6	Screw - Set Square Hd.	2	28	83-1170	Hose - Hydraulic	1
14	3296-29	Nut - Lock	4	29	32128-20	Nut - Flange Lock	2
15	27-6600	Spacer - Coupling	4	30	83-1940	Guard - Pump	1
				31	322-1	Screw - Cap Hex. Hd.	2
				32	322-4	Screw - Cap Hex. Hd.	2



HYDRAULIC PUMP 92-9764

Ref. No.	Part No.	Description	No. Used
1	3217-6	Nut - Hex.	4
2	354-16	Washer - Lock	4
3	354-17	Stud - Threaded	4
4	354-11	Pin - Dowel	2
5	354-9	Idler Shaft - Gear Assy.	1
6	354-12	Pin - Dowel	2
7		Ball - Valve	1
8		Spring - Compression	1
9		Adjuster - Valve	1
10		Cap - Adjuster, Valve	1
11	354-13	Pin - Dowel	4
12	92-9774	Idler Shaft - Gear Assy.	1
13	354-14	Pin - Dowel	2
14	92-9766	Plate - Gear 66B	1
15	354-2	Body Assembly	1
16	5-0946	Key - Square	1
17	354-15	Seal - Shaft	1

Ref. No.	Part No.	Description	No. Used
18	353-886	Ring - Retaining	2
19	353-884	Key - Woodruff	4
20	92-9772	Shaft - Drive	1
21	92-9773	Gear - 66B	1
22	354-3	Bearing Plate Assembly	1
23	353-922	Seal - Ring	10
24	353-967	Gear - 33B	6
25	353-969	Plate - Gear 33B	3
26	353-923	Bearing Plate Assembly	2
27	354-5	Adapter - Splined	1
28	354-4	Bearing Plate Assembly (Incl. Ref. #7-10 & 32)	1
29	354-8	Drive Shaft - Gear Assy.	1
30	354-6	Plate - Gear 18B	1
31	354-7	Cover Assembly	1
32	354-35	Gasket	1

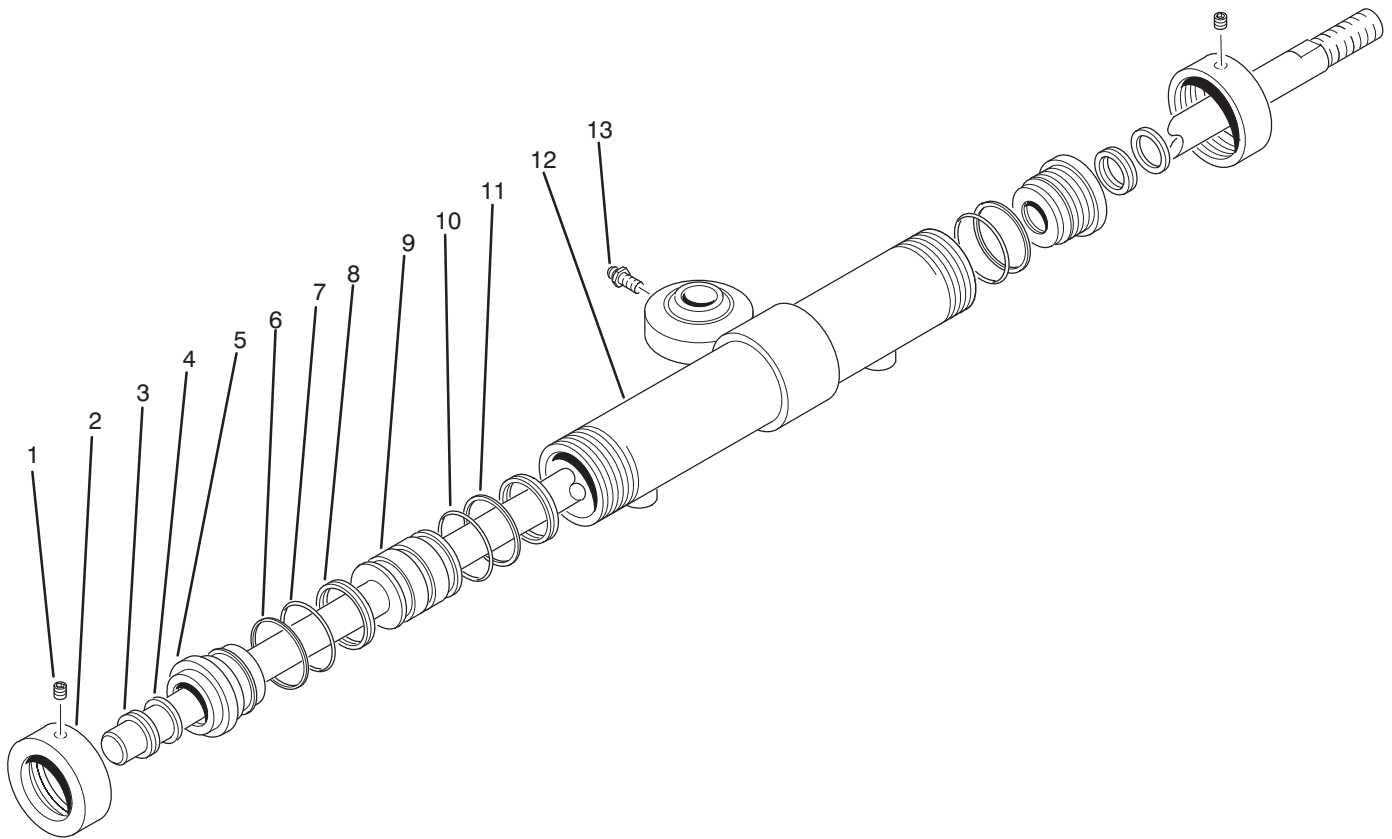


T-1288

REAR WHEEL ASSEMBLY

Ref. No.	Part No.	Description	No. Used
1	3272-37	Pin - Cotter	1
2	302-11	Fitting - Grease	1
3	254-61	Cup - Bearing	2
4	254-70	Cone - Bearing	2
5	84-5300	Nut - Jam	1
6	83-1640	Rod End Assembly	1
7	18-6320	Washer - Steering	4
8	242-50	Nut - Lug	4
9	28-3680	Tire	1
10	217-60	Rim	1
11	74-3730	Spacer - Hub	2
12	253-111	Seal - Shaft	2
13	254-78	Cone - Bearing	2
14	254-79	Cup - Bearing	2
15	75-9440	Hub - Wheel	1
16	302-55	Fitting - Grease	1
17	10-6830	Stud - Drive	4

Ref. No.	Part No.	Description	No. Used
18	232-24	Valve Stem w/Cap	1
19	93-2524	Fork - Castor	1
20	5-3934	Bolt - Castor	1
21	3220-6	Nut - Jam	2
25	3296-67	Nut - Lock	1
26	3217-12	Nut - Lock	1
27	3256-28	Washer - Flat	1
28	83-1350	Hose - Hydraulic	1
29	340-132	Fitting - Hydraulic 90° (Incl. Ref. #31 & 32)	2
30	83-1360	Hose - Hydraulic	1
31	237-21	Seal - O-Ring	2
32	237-78	Seal - O-Ring	2
33	83-2330	Hydraulic Cylinder Assy.	1
34	32136-9	Nut - Hex. Slotted	1
36	58-6520	Decal - Grease	2



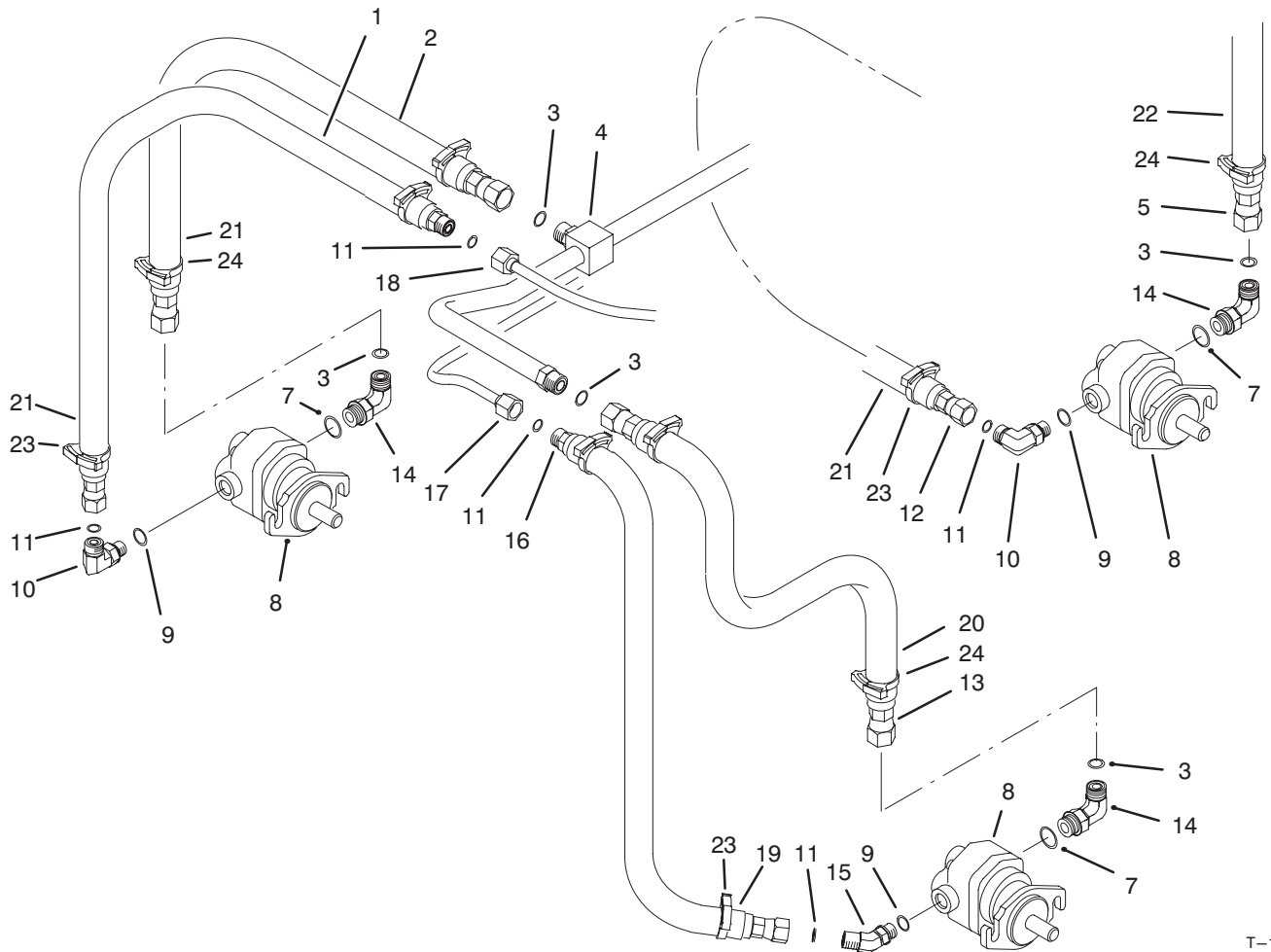
T-1313

HYDRAULIC CYLINDER ASSEMBLY NO. 83-2330

Ref. No.	Part No.	Description	No. Used
1	3245-1	Screw - Set, Hex. Soc. Hd.	2
2	83-2340	Cap - Threaded	2
3		Wiper - Rod	2
4		U-Cup - Double Lip	2
5	83-2350	Cap - Head, Thread	2
6		Ring - Back-Up	2
7		O-Ring	2
8		Ring - Wear	2

Ref. No.	Part No.	Description	No. Used
9	83-2360	Assembly - Rod	1
10		O-Ring	1
11		Ring - Piston, Urithane	1
12	83-2370	Assembly - Barrel	1
13	302-5	Fitting - Grease	1
*	83-2380	Kit - Seal Repair (Incl. Ref. #1-7)	1

*Not Illustrated

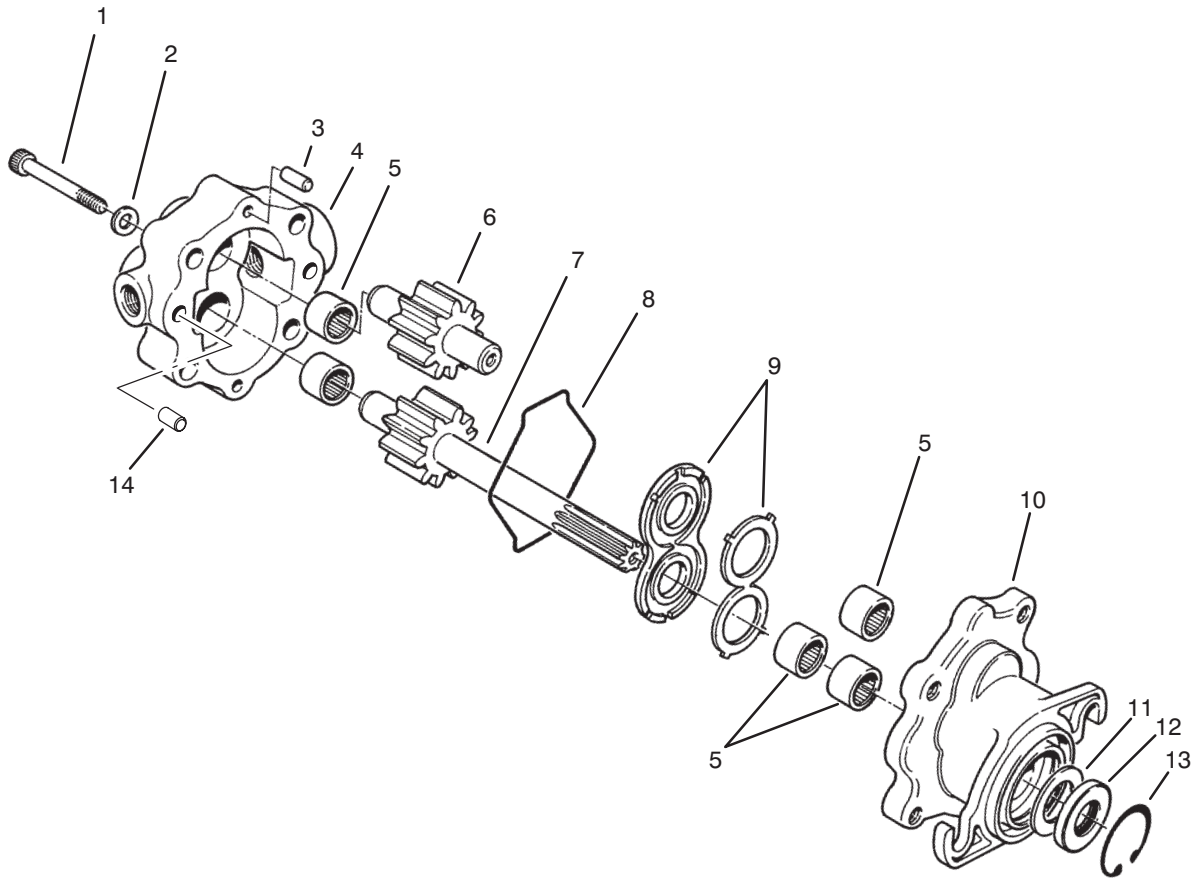


T-1297B

REEL MOTOR INSTALLATION ASSEMBLY

Ref. No.	Part No.	Description	No. Used
1	63-3810	Hydraulic Hose Assembly (Incl. Ref. #21 & 23)	1
2	63-3820	Hydraulic Hose Assembly (Incl. Ref. #21 & 24)	1
3	237-30	Seal - O-Ring	5
4	63-4040	Hydraulic Tube Assembly (Incl. Ref. #3)	1
5	63-3840	Hydraulic Hose Assembly (Incl. Ref. #22 & 24)	1
7	237-79	Seal - O-Ring	3
8	94-3506	Reel Motor Assembly	3
9	237-42	Seal - O-Ring	3
10	340-77	Fitting - Hydraulic 90° (Incl. Ref. #9 & 11)	2
11	237-22	Seal - O-Ring	5
12	74-3830	Hydraulic Hose Assembly (Incl. Ref. #21 & 23)	1

Ref. No.	Part No.	Description	No. Used
13	63-3830	Hydraulic Hose Assembly (Incl. Ref. #20 & 24)	1
14	340-98	Fitting - Hydraulic 90° (Incl. Ref. #3 & 7)	3
15	340-87	Fitting - Hydraulic 45° (Incl. Ref. #9 & 11)	1
16	63-3870	Hydraulic Hose Assembly (Incl. Ref. #19 & 23)	1
17	63-4020	Tube - Hydraulic	1
18	63-4030	Tube - Hydraulic	1
19	56-7986	Sleeve - Protective	1
20	56-7987	Sleeve - Protective	1
21	56-7980	Sleeve - Protective	3
22	56-7981	Sleeve - Protective	1
23	93-9346	Clamp - Pressure Hose	6
24	93-9347	Clamp - Return Hose	6



T-1872

REEL MOTOR NO. 94-3506

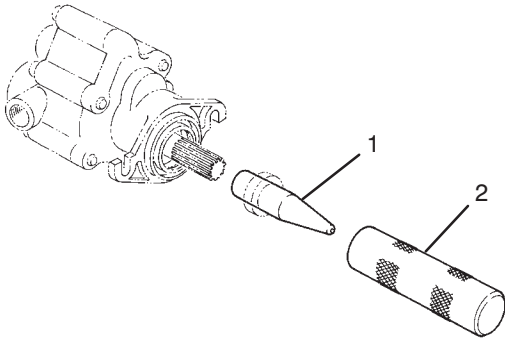
Ref. No.	Part No.	Description	No. Used
1	354-50	Screw - Hex Socket Hd.	4
2	354-51	Washer	4
3	353-599	Pin - Dowel	2
4	94-3507	Cover Assembly (Incl. Ref. #5)	1
5		Bearing - Needle	5
6	94-3509	Idler Gear Assembly	1
7	94-3508	Drive Shaft Assembly	1
8	354-46	Ring - Seal	1

Ref. No.	Part No.	Description	No. Used
9	74-3810	Load Plate Assembly	1
10	92-8795	Body Assembly (Incl. Ref. #5)	1
11		Spacer	1
12		Seal - Shaft	1
13	32151-41	Ring - Retaining	1
14	92-8796	Pin - Dowel	2
*	92-8863	Repair Kit (Incl. Ref. #8 & 11-13)	1

*Not Illustrated

SPECIAL TOOLS

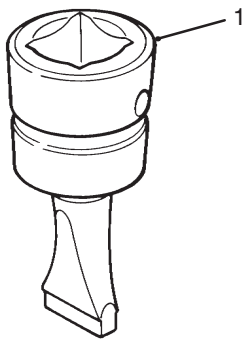
REEL MOTOR SEAL INSTALLATION TOOLS



T-0727

Ref. No.	Part No.	Description	No. Used
1	TOR491430	Protector – Seal	1
2	TOR491450	Installer – Seal	1

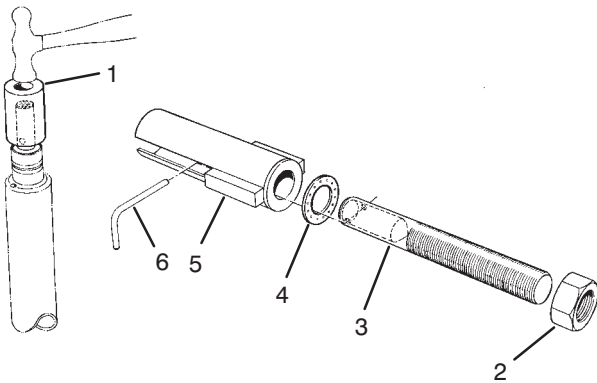
BED KNIFE SCREW TOOL NO. TOR510880



T-0729

Ref. No.	Part No.	Description	No. Used
1		Tool – Bed Knife Screw	1

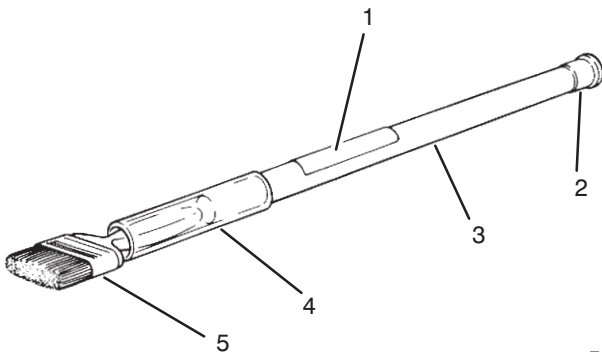
BEARING REPLACEMENT TOOL KIT NO. TOR238900



T-0730

Ref. No.	Part No.	Description	No. Used
1	23-8880	Driver – Bearing	2
2	3219-18	Nut – Hex.	1
3	23-8840	Puller – Bolt	1
4	22-6090	Washer – Thrust	1
5	23-8850	Tube – Support	1
6	23-8860	Pin – Bearing Rplcmnt.	1

BACKLAPPING BRUSH ASSEMBLY NO. 29-9100



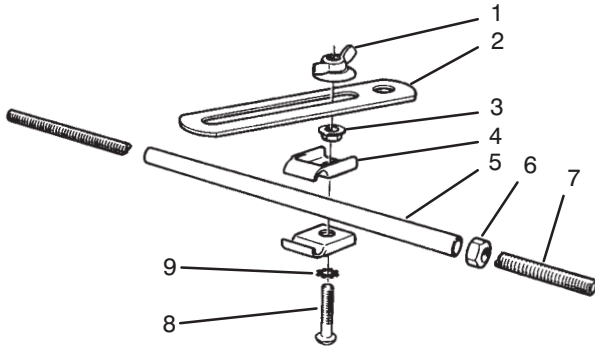
T-0731

Ref. No.	Part No.	Description	No. Used
1	12-9140	Decal	1
2	2410-18	Plug	1
3	29-9080	Handle	1
4	29-9090	Hose – Handle	1
5	36-4310	Brush	1

Note: Special tools may be ordered from: Owatonna Tool Company 2013 4th St. NW Owatonna, MN 55060

SPECIAL TOOLS (Continued)

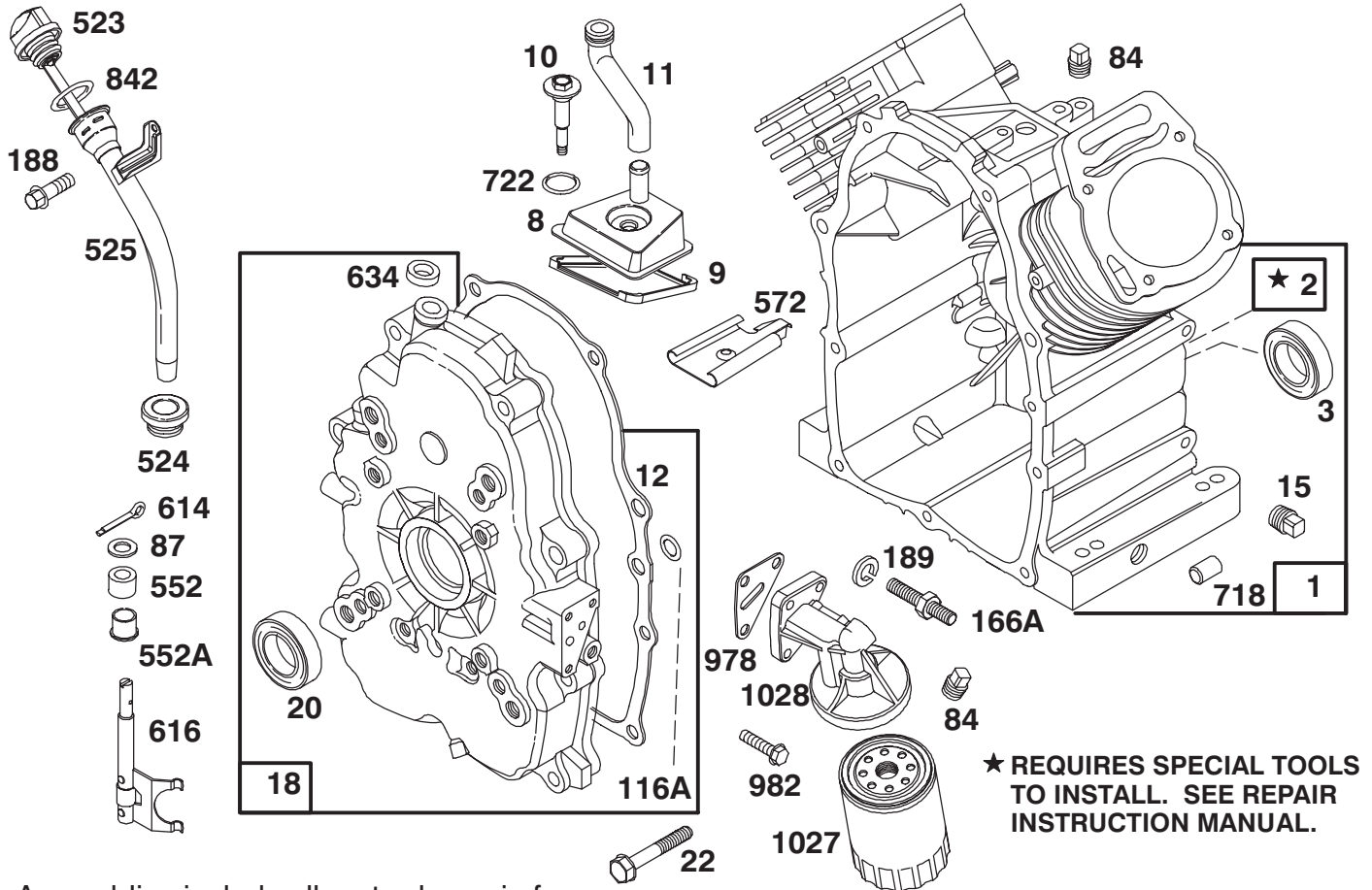
ALIGNMENT TOOL NO. TOR200120



T-0732

Ref. No.	Part No.	Description	No. Used
1	3-4808	Nut – Wing	1
2	20-0110	Bracket – Alignment	1
3	32128-20	Nut – Lock, Flange	1
4	3-6657	Clip – Skid	2
5	20-0070	Tube	1
6	3219-2	Nut – Hex.	1
7	20-0080	Rod	1
8	32122-35	Screw – Truss Head	1
9	3255-8	Washer – Lock, Int. Tooth	1

**Note: Special tools may be ordered from: Owatonna Tool Company
2013 4th St. NW
Owatonna, MN 55060**



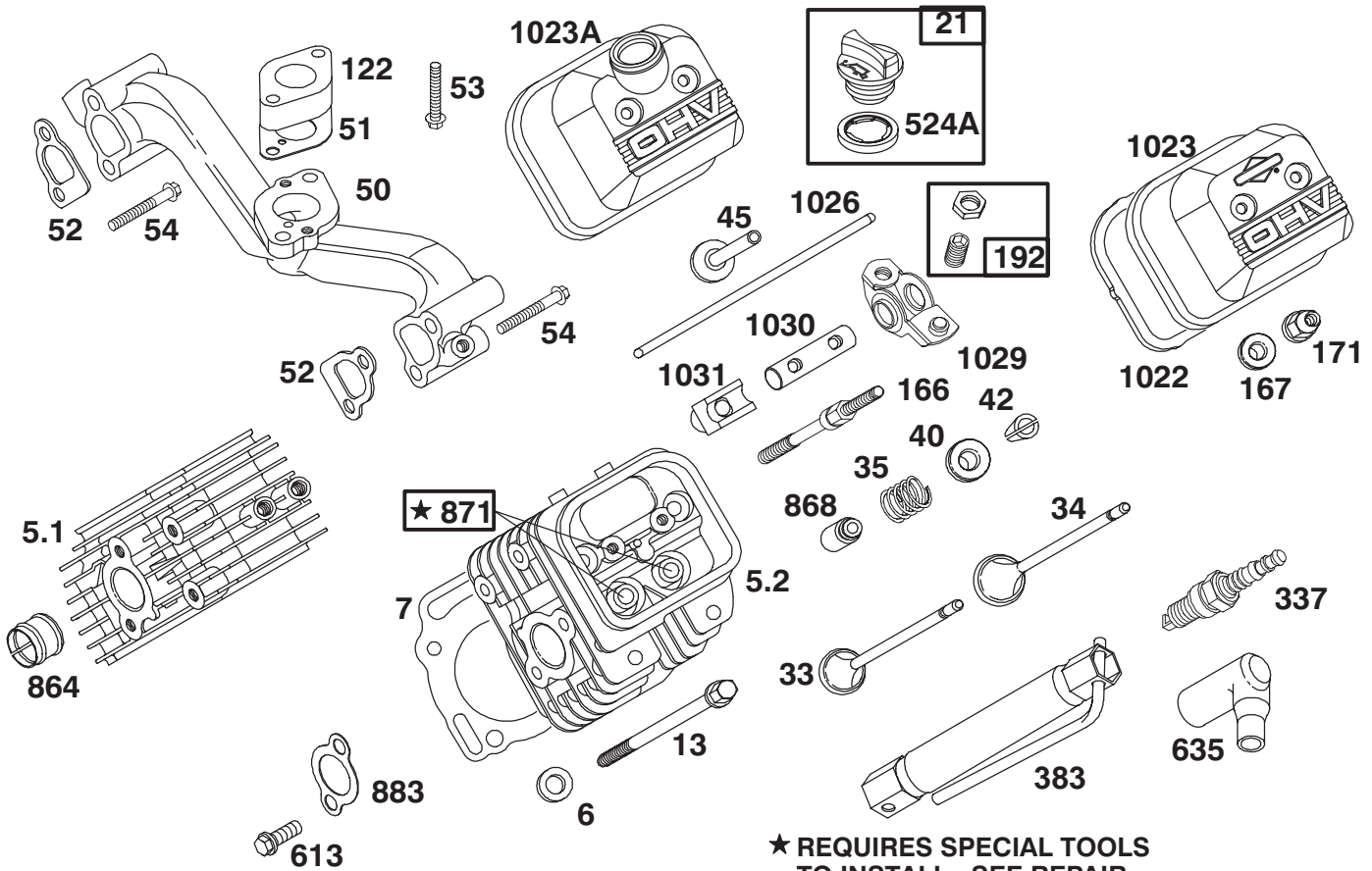
Assemblies include all parts shown in frames.

ENGINE BRIGGS & STRATTON MODEL 303447-0479-01

Ref. No.	Part No.	Description	No. Used
1	807521	Cylinder Assembly	
2	805107	Bearing – Cylinder	
*3	805101	Seal – Oil	
8	807795	Breather Assembly	
*9	805379	Gasket – Breather	
10	805751	Screw – Hex. Washer Head	
11	805362	Tube – Breather	
*12	805112	Gasket – Crankcase Cover	
15	805048	Plug – Oil Drain	
18	807628	Cover Assembly – Crankcase	
*20	805049	Seal – Oil	
22	805696	Screw – Crankcase Cover	
84	91488	Plug – Pipe	
*87	805054	Seal – Governor Shaft	
*116A	805198	O-Ring (Crankcase Cover)	
166A	805073	Stud – Oil Filter Adapter	
188	805247	Screw – Hex. Head	

Ref. No.	Part No.	Description	No. Used
189	805449	Lockwasher	
523	807977	Dipstick	
*524	805259	Seal – Filler Tube	
525	807584	Tube – Oil Filler	
552	805412	Bushing – Governor Shaft	
552A	805413	Bushing – Governor Shaft	
572	805197	Baffle – Breather	
614	805417	Pin – Cotter	
616	807596	Fork – Governor	
634	805416	Washer – Governor Shaft	
718	805103	Dowel – Crankcase	
*722	805483	Seal – Breather Screw	
*842	805386	O-Ring	
*978	805250	Gasket – Oil Filter Adapter	
982	805030	Screw	
1027	491056	Filter – Oil	
1028	805292	Adapter – Oil Filter	

*Included in Gasket Set – Part No. 807989.



★ REQUIRES SPECIAL TOOLS TO INSTALL. SEE REPAIR INSTRUCTION MANUAL.

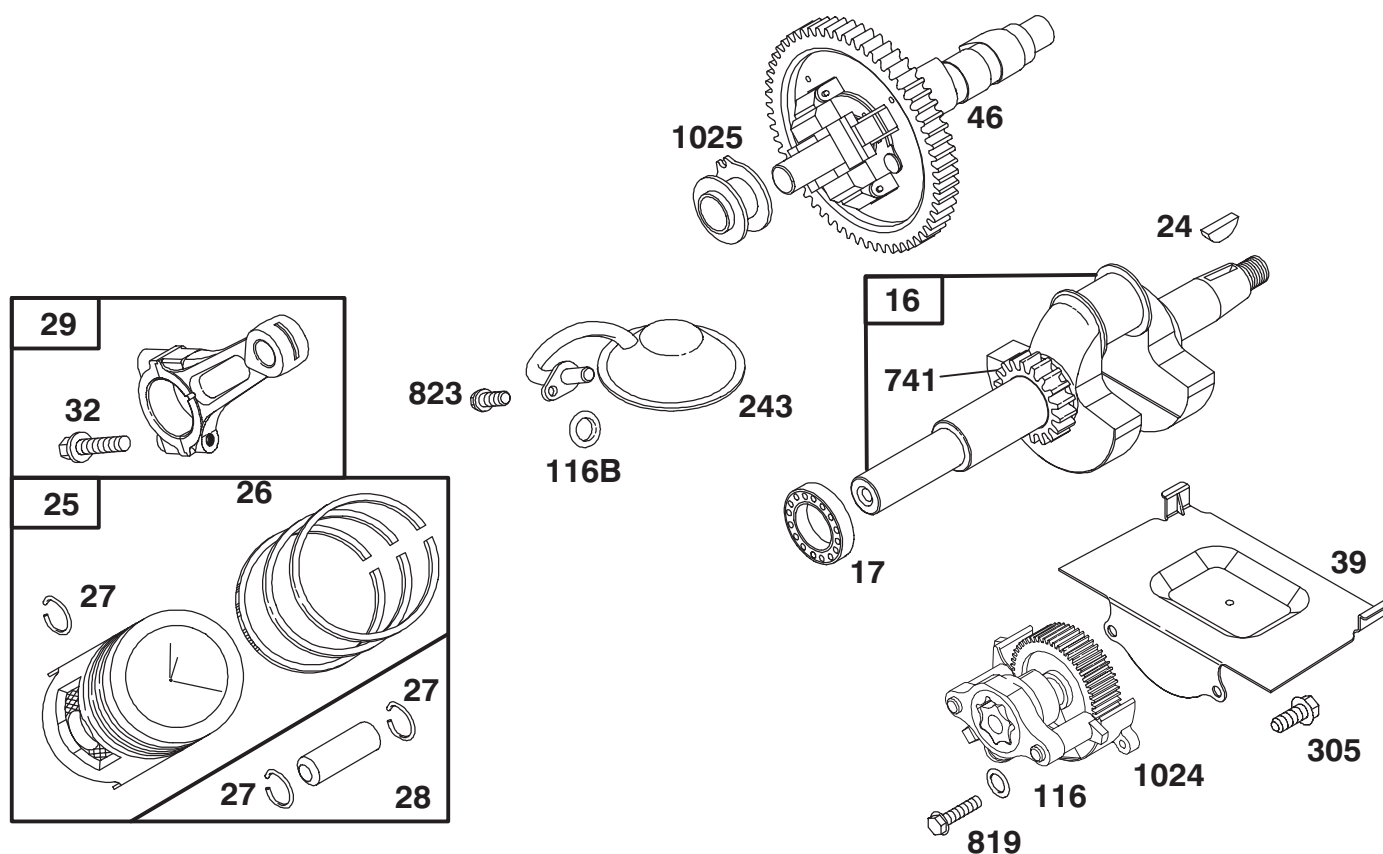
Assemblies include all parts shown in frames.

ENGINE BRIGGS & STRATTON MODEL 303447-0479-01

Ref. No.	Part No.	Description	No. Used
5.1	807987	Head – Cylinder (Cyl. #1)	
5.2	807988	Head – Cylinder (Cyl. #2)	
‡6	805193	Washer – Cylinder Head	
‡*7	807986	Gasket – Cylinder Head	
13	805097	Screw – Cylinder Head	
21	491832	Plug – Oil Fill (Cyl. #1)	
33	805089	Valve – Exhaust	
34	805090	Valve – Intake	
35	805078	Spring – Valve	
40	805092	Retainer – Valve Spring	
42	805161	Retainer – Valve	
45	805354	Tappet – Valve	
50	805772	Manifold – Intake	
*51	805264	Gasket – Carburetor Mtg.	
‡*52	805023	Gasket – Intake Manifold	
53	805466	Screw	
54	805006	Screw	
122	805328	Spacer – Carburetor	
166	805343	Stud – Rocker Arm	
‡*167	805420	Washer – Valve Cover	
‡171	805019	Nut – Nylock	

Ref. No.	Part No.	Description	No. Used
192	807623	Screw – Valve Adjustment (Incl. Jam Nut)	
337	496018	Plug – Spark	
383	19374	Wench – Spark Plug	
‡*524A	271983	Seal – Filler Plug	
613	805158	Screw	
635	805529	Elbow – Spark Plug	
864	805083	Liner – Exhaust Port	
868	805094	Seal – Valve Guide	
871	805084	Guide – Valve	
‡*883	805024	Gasket – Exhaust Manifold	
‡*1022	805028	Gasket – Valve Cover	
1023	805100	Cover – Valve	
1023A	808032	Cover – Valve Used on Cylinder #1.	
1026	805352	Rod – Push Note: 805617 Rod – Push Used on Exhaust Side Only.	
1029	807557	Arm – Rocker	
1030	805342	Shaft – Rocker Arm	
1031	805341	Support – Rocker Arm	

*Included in Gasket Set – Part No. 807989.
‡Included in Valve Overhaul Kit – Part No. 807990.

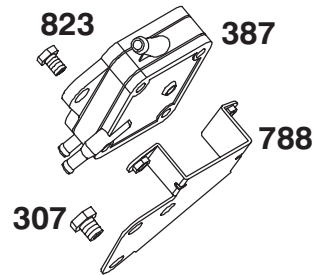
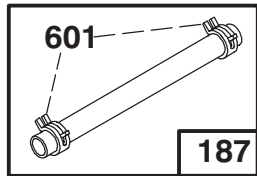
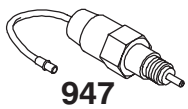
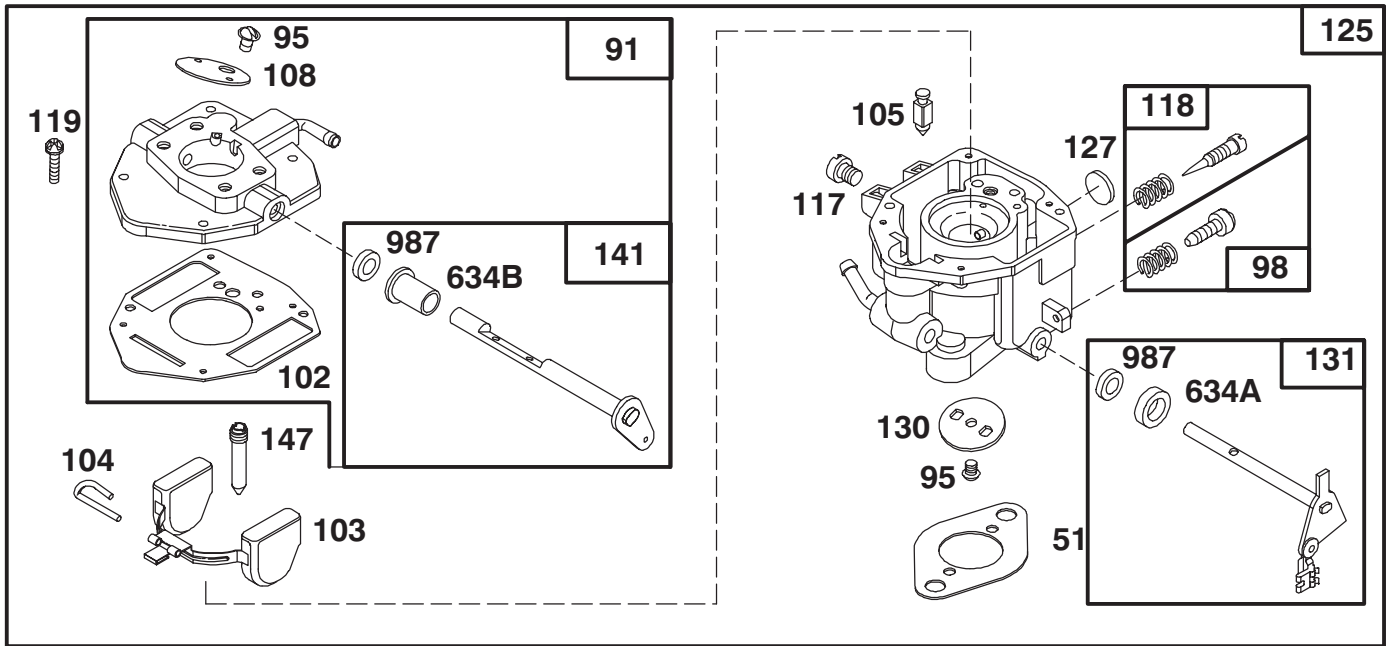


Assemblies include all parts shown in frames.

ENGINE BRIGGS & STRATTON MODEL 303447-0479-01

Ref. No.	Part No.	Description	No. Used
16	807589	Crankshaft Note: To Replace Crankshaft Gear Key – Order Part No. 94196. 807625 Thrust Washer	
17	805754	Bearing – Ball	
24	805016	Key – Flywheel	
25	807619	Piston Assembly (Standard)	
	807807	Piston Assembly .010 O.S.	
	807809	Piston Assembly .020 O.S.	
	807811	Piston Assembly .030 O.S.	
26	807620	Ring Set – Piston (Standard)	
	807808	Ring Set – Piston .010 O.S.	
	807810	Ring Set – Piston .020 O.S.	
	807812	Ring Set – Piston .030 O.S.	
27	805099	Lock – Piston Pin	
28	807621	Piston Pin Assembly	
29	807900	Connecting Rod Assembly Note: For Connecting Rod With .020" Undersize Crankpin Bore – Order Part No. 807803.	
32	805395	Screw – Connecting Rod	
39	805654	Plate – Windage	
46	807542	Gear – Cam	
*116	805058	O-Ring (Oil Pump)	
*116B	805316	O-Ring (Pick – Up Tube)	
243	807598	Screen – Oil Pump Pick-Up	
305	805406	Screw	
741	805675	Gear – Timing	
819	805057	Screw	
823	805317	Screw – Mounting	
1024	807644	Oil Pump Assembly	
1025	805313	Slider – Governor	

*Included in Gasket Set – Part No. 807989.



Assemblies include all parts shown in frames.

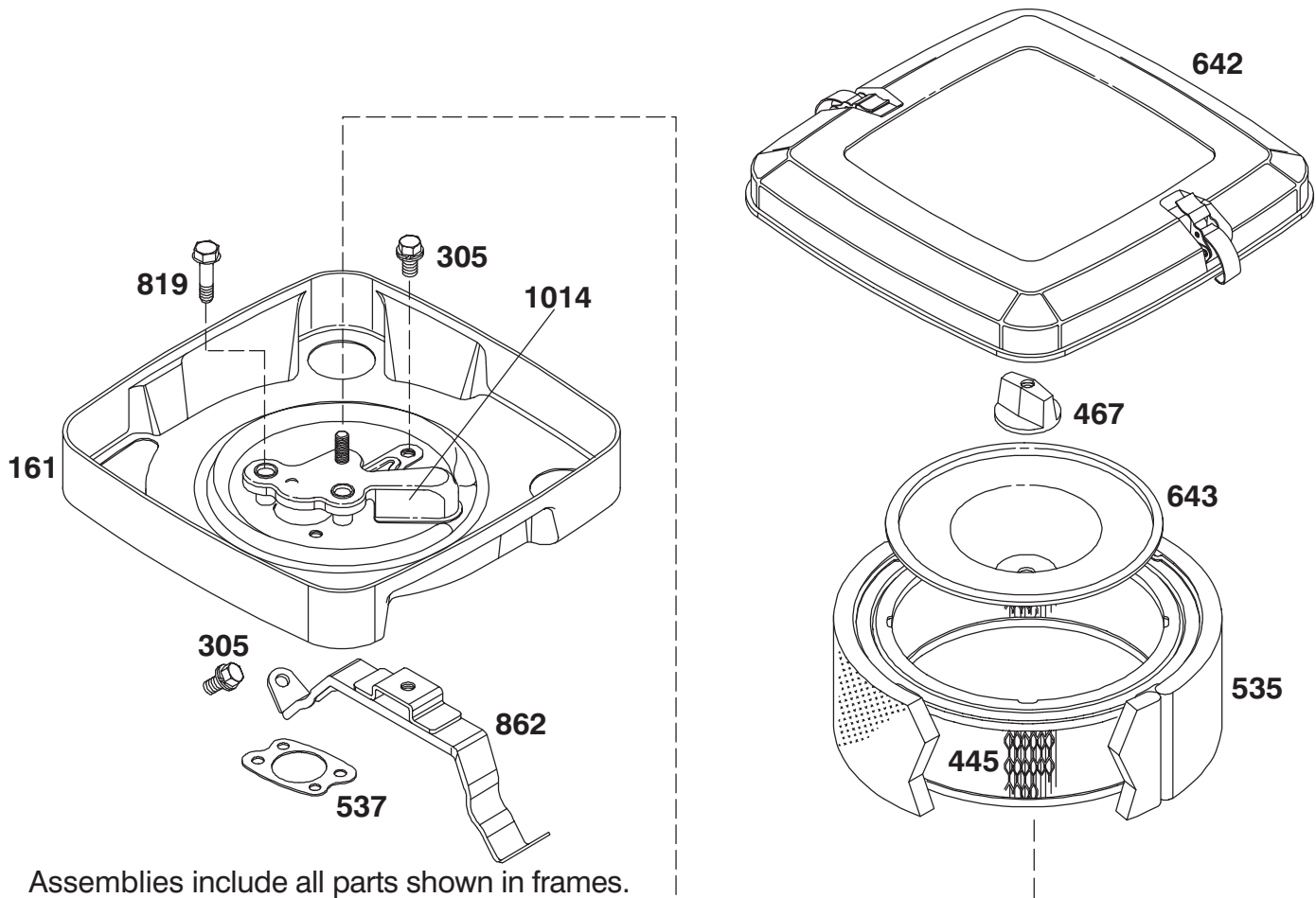
ENGINE BRIGGS & STRATTON MODEL 303447-0479-01

Ref. No.	Part No.	Description	No. Used
*51	805700	Gasket – Carburetor Mtg.	
91	807919	Body – Upper Carburetor	
95	805538	Screw – Valve Mtg.	
98	807718	Screw – Throttle Adj.	
†102	805541	Gasket – Intake Elbow	
103	805546	Float Assembly	
†104	805545	Pin – Float Hinge	
†105	805547	Valve – Fuel Inlet	
108	805539	Valve – Choke	
†117	805853	Jet – Main	
†118	807719	Valve – Idle Adjusting Needle	
119	805540	Screw – Upper Body Mtg.	
125	807918	Carburetor Assembly	
†127	805559	Plug – Welch	

Ref. No.	Part No.	Description	No. Used
130	805554	Valve – Throttle	
131	807720	Shaft – Throttle	
141	807722	Shaft – Choke	
†147	805553	Jet – Slow Speed	
187	393815	Hose – Fuel (Cut to Suit)	
307	805025	Screw	
387	491922	Pump – Fuel	
601	93053	Clamp – Hose	
†634A	805557	Collar – Throttle	
†634B	805543	Collar – Choke	
788	807685	Bracket – Fuel Pump	
823	805317	Screw – Mounting	
947	807664	Solenoid	
†987	805544	Seal – Shaft	

†Included in Carburetor Kit – Part No. 807726.

*Included in Gasket Set – Part No. 807989.



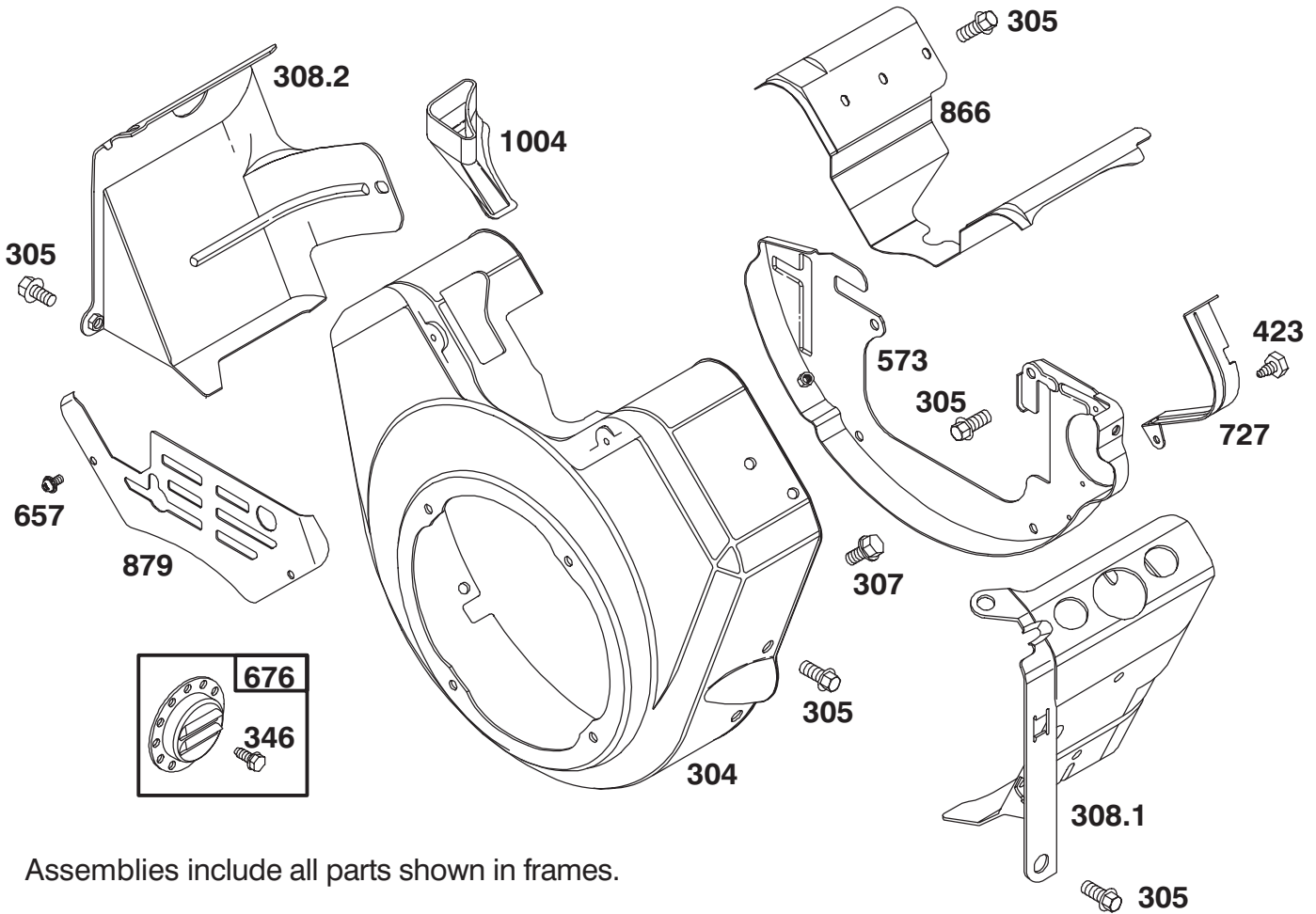
Assemblies include all parts shown in frames.

ENGINE BRIGGS & STRATTON MODEL 303447-0479-01

Ref. No.	Part No.	Description	No. Used
161	807857	Base Assy. – Air Cleaner	
305	805406	Screw	
445	394018	Cartridge – Air Cleaner	
467	491875	Knob – Air Cleaner	
535	272490	Element – Foam	
*537	805655	Gasket – Air Cleaner	

Ref. No.	Part No.	Description	No. Used
642	807862	Cover Assy. – Air Cleaner	
643	805631	Plate – Air Cleaner	
819	805057	Screw	
862	807796	Bracket – Air Cleaner	
1014	807797	Carburetor Inlet Shield Assy.	

*Included in Gasket Set – Part No. 807989.

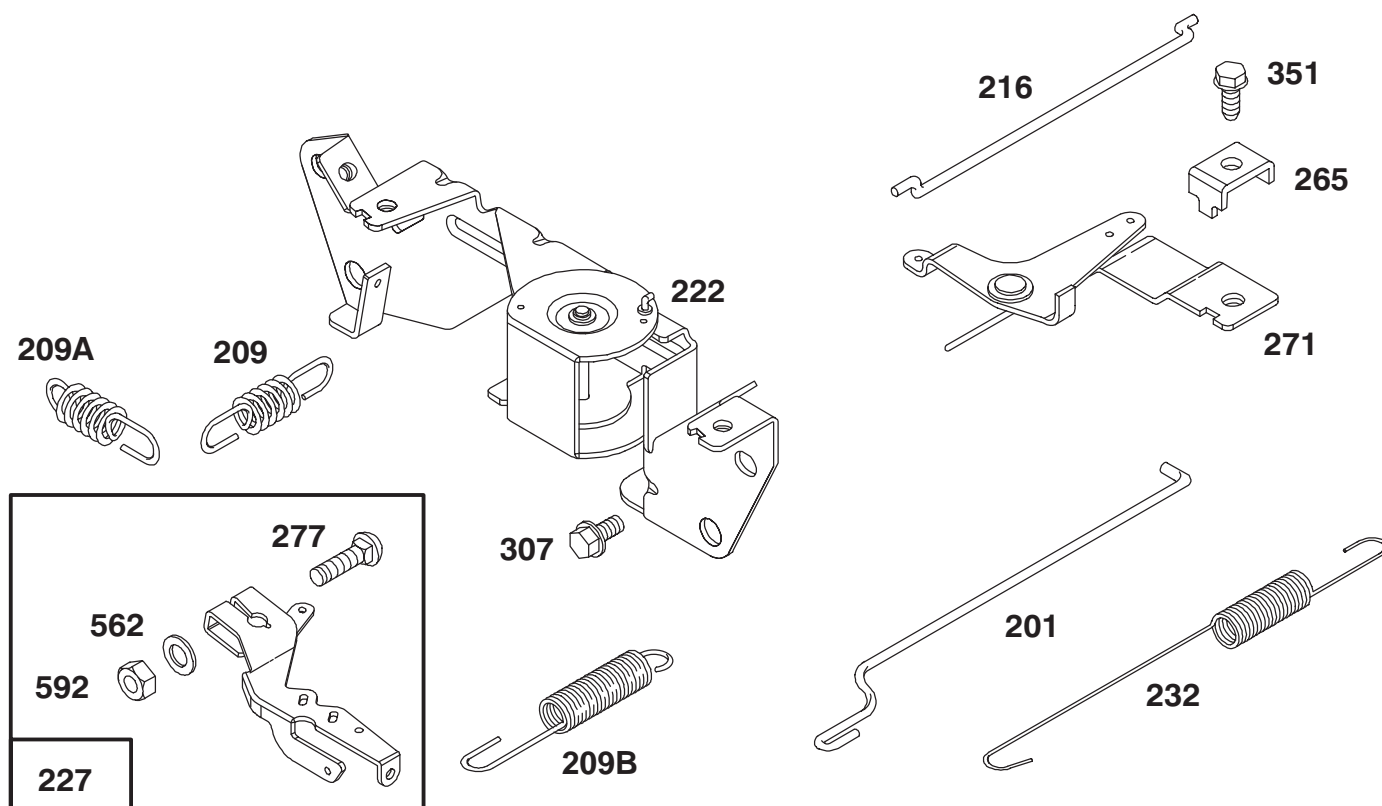


Assemblies include all parts shown in frames.

ENGINE BRIGGS & STRATTON MODEL 303447-0479-01

Ref. No.	Part No.	Description	No. Used
304	807898	Housing – Blower	
305	805406	Screw	
307	805025	Screw	
308.1	807868	Cover – Air Guide (Cyl. #1)	
308.2	807869	Cover – Air Guide (Cyl. #2)	
346	93705	Screw	
423	805260	Screw	

Ref. No.	Part No.	Description	No. Used
573	807663	Back Plate Assembly	
657	805009	Screw	
676	397630	Deflector–Exhaust	
727	805505	Shield – Starter	
866	805738	Valley Cover – Air Guide	
879	805841	Cover – Carburetor	
1004	805632	Tube – Air Inlet	

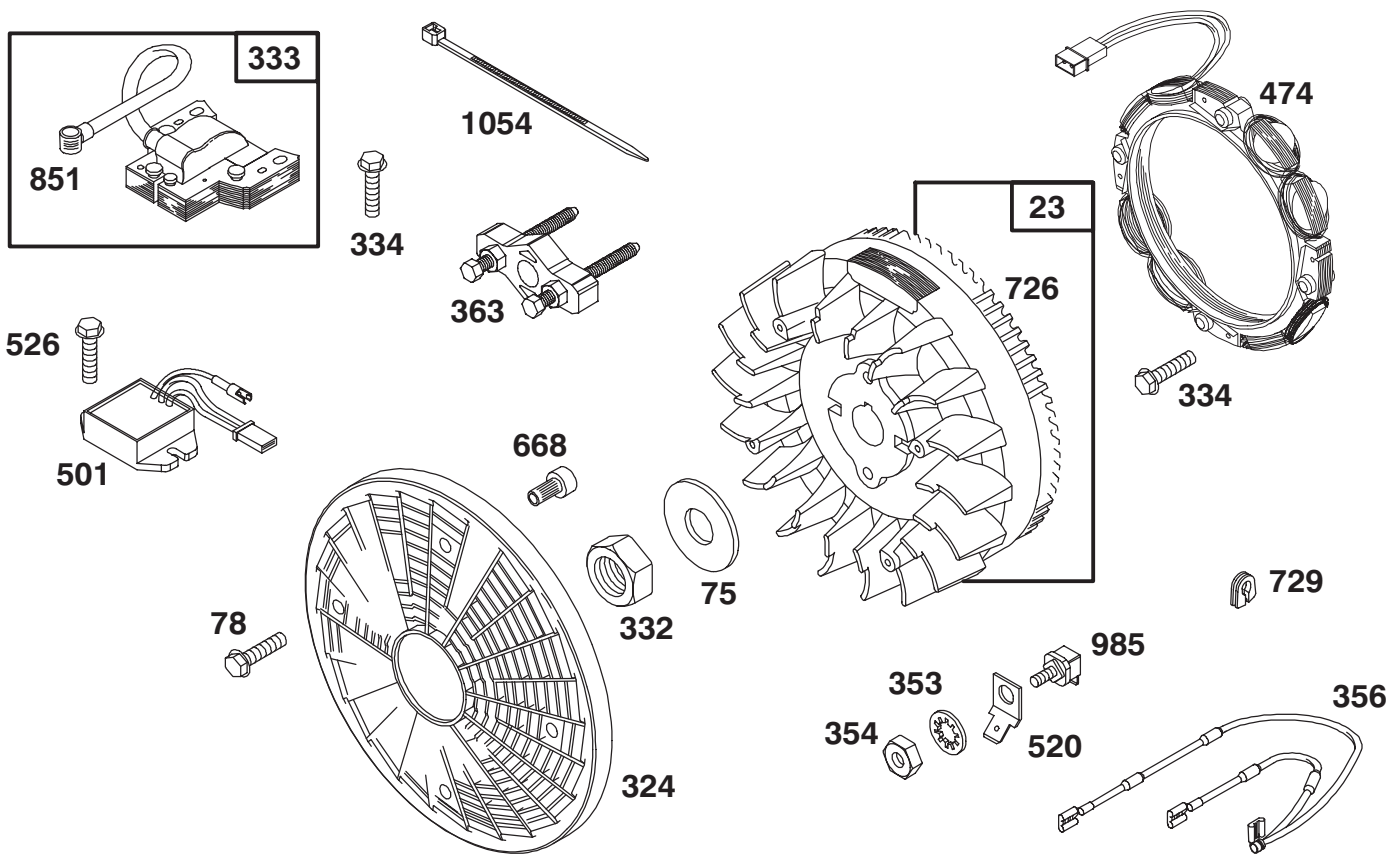


Assemblies include all parts shown in frames.

ENGINE BRIGGS & STRATTON MODEL 303447-0479-01

Ref. No.	Part No.	Description	No. Used
201	805480	Link – Governor	
209	805464	Spring – Governor	
209A	805453	Spring – Governed Idle	
209B	805450	Spring – Governed Idle (Secondary)	
216	805439	Link – Choke	
222	807610	Bracket – Governor Control	
227	807528	Lever Assembly – Governor	

Ref. No.	Part No.	Description	No. Used
232	805465	Spring – Governor Link	
265	221535	Clamp – Casing	
271	807609	Bracket – Choke Control	
277	805018	Washer	
307	805025	Screw	
351	805169	Screw – Hex. Head	
562	805381	Bolt	
592	805383	Nut – Hex.	

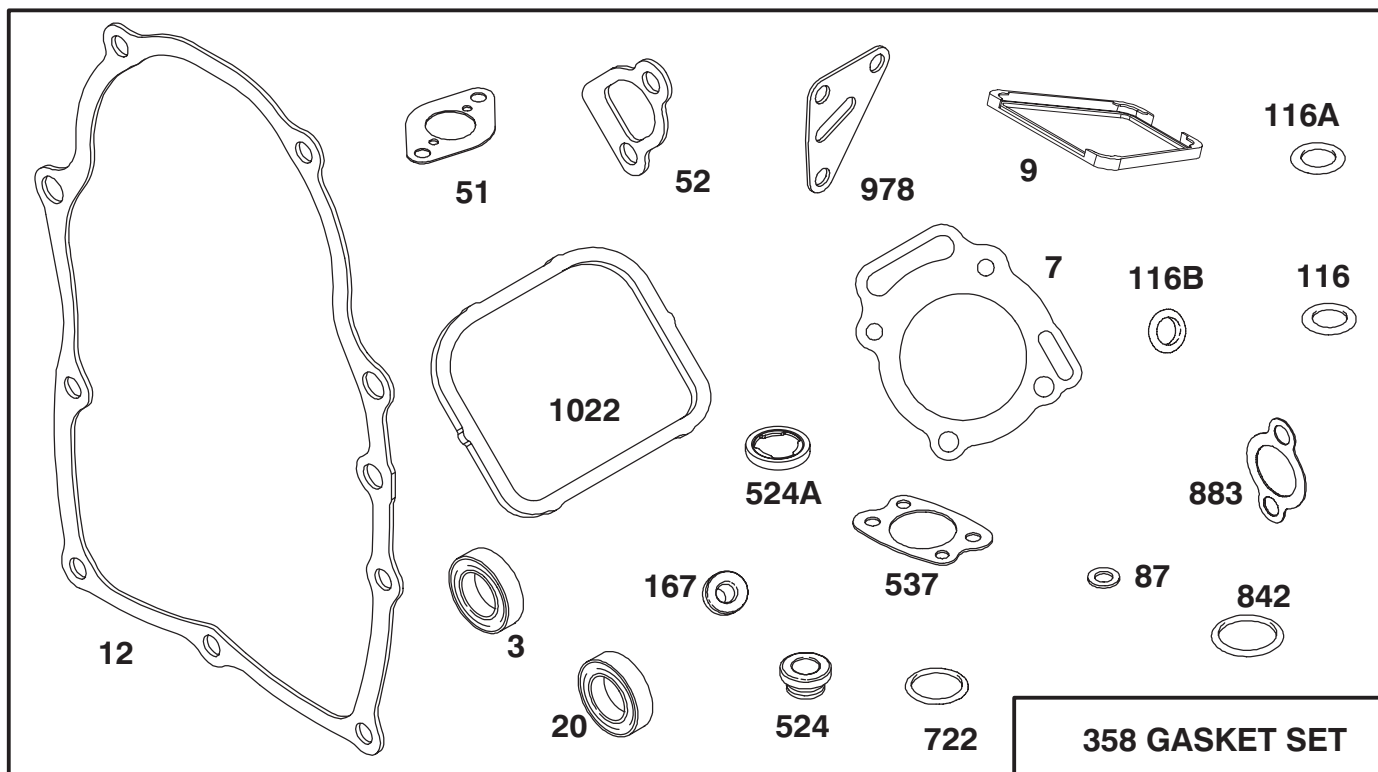


Assemblies include all parts shown in frames.

ENGINE BRIGGS & STRATTON MODEL 303447-0479-01

Ref. No.	Part No.	Description	No. Used
23	808128	Flywheel	
75	805007	Washer - Spring	
78	805447	Screw	
324	280829	Screen - Rotating	
332	805021	Nut - Hex	
333	492341	Armature - Magneto	
334	805407	Screw - Mounting	
353	92791	Lockwasher (Internal Tooth)	
354	90576	Nut - Hex.	
356	493792	Wire Assy.	
363	19203	Puller - Flywheel	

Ref. No.	Part No.	Description	No. Used
474	393295	Stator - Alternator	
501	394890	Regulator - Alternator	
520	93722	Terminal - Ground	
526	805448	Screw - Mtg.	
668	805402	Spacer	
726	808162	Gear - Flywheel Ring	
729	805641	Grommet	
851	221798	Terminal - Ignition Cable	
985	398525	Insulator	
1054	280275	Tie - Cable	



Assemblies include all parts shown in frames.

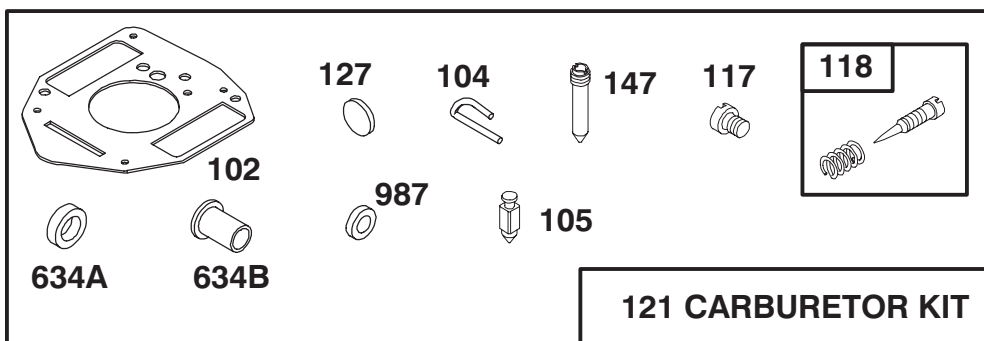
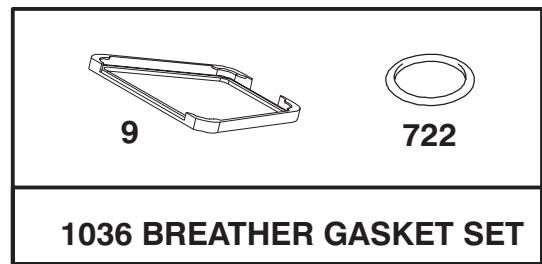
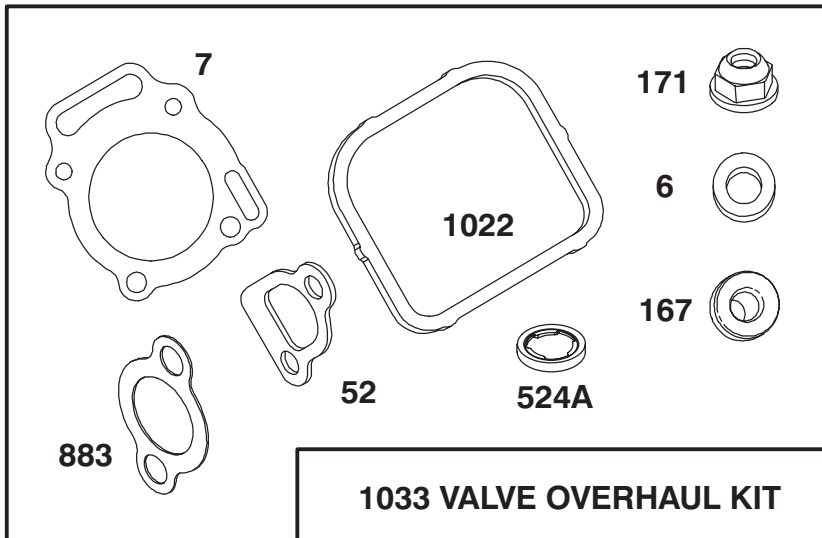
ENGINE BRIGGS & STRATTON MODEL 303447-0479-01

Ref. No.	Part No.	Description	No. Used
*3	805101	Seal – Oil	
*‡7	807986	Gasket – Cylinder Head	
*9	805379	Gasket – Breather	
*12	805112	Gasket – Crankcase Cover	
*20	805049	Seal – Oil	
*51	805264	Gasket – Carburetor Mtg.	
*‡52	805023	Gasket – Intake Manifold	
*87	805054	Seal – Governor Shaft	
*116	805058	O–Ring (Oil Pump)	
*116A	805198	O–Ring (Crankcase Cover)	
*116B	805316	O–Ring (Pick – Up Tube)	

Ref. No.	Part No.	Description	No. Used
‡*167	805420	Washer – Valve Cover	
358	807989	Gasket Set	
*524	805259	Seal – Filler Tube	
‡*524A	271983	Seal – Filler Plug	
*537	805655	Gasket – Air Cleaner	
*722	805483	Seal – Breather Screw	
‡*842	805386	O–Ring	
*883	805024	Gasket – Exhaust Manifold	
*978	805250	Gasket – Oil Filter Adapter	
‡*1022	805028	Gasket – Valve Cover	

*Included in Gasket Set – Part No. 807989.

‡Included in Valve Overhaul Kit – Part No. 807990.



Assemblies include all parts shown in frames.

ENGINE BRIGGS & STRATTON MODEL 303447-0479-01

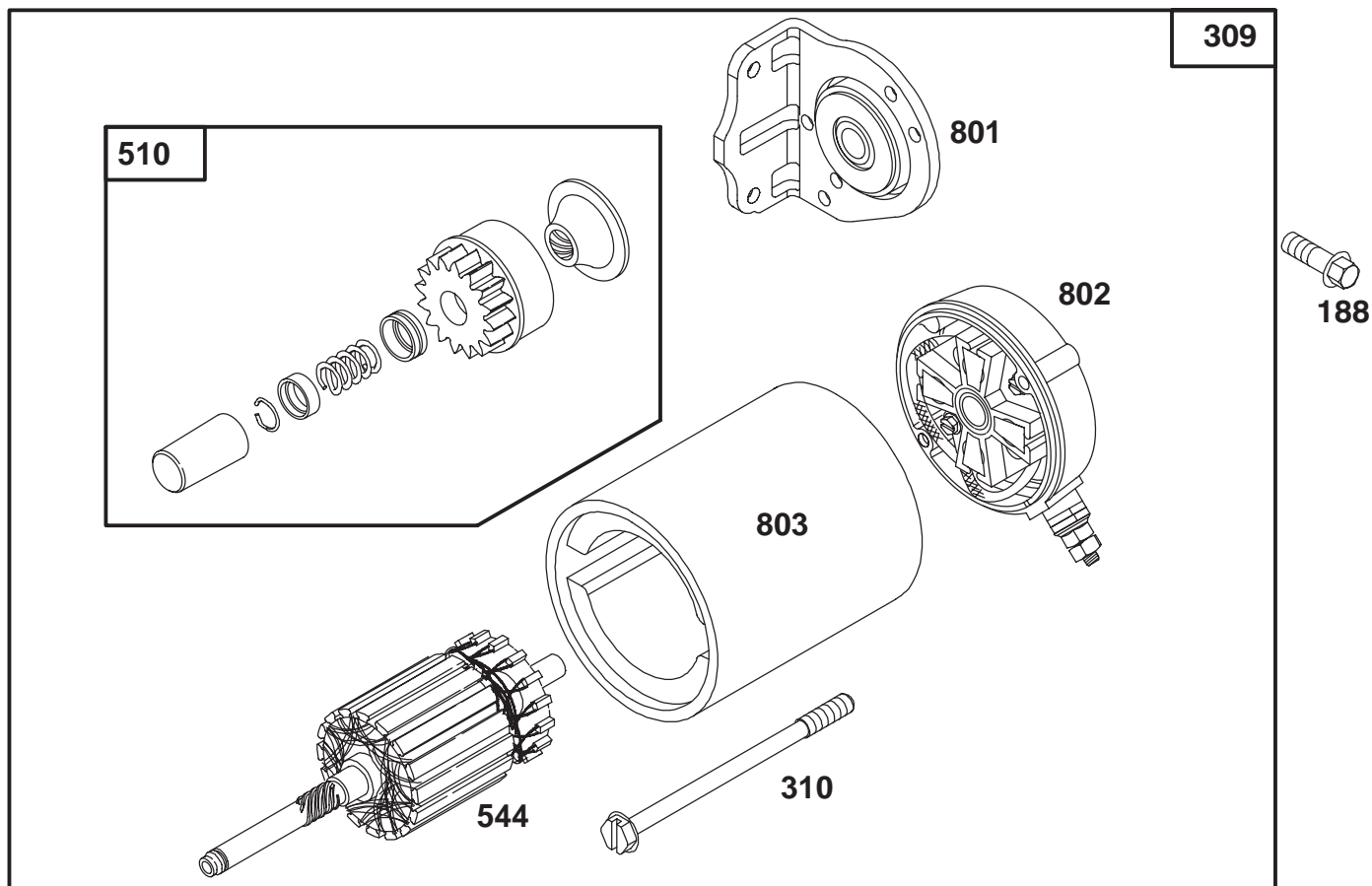
Ref. No.	Part No.	Description	No. Used
‡6	805193	Washer – Cylinder Head	
*‡7	807986	Gasket – Cylinder Head	
*9	805379	Gasket – Breather	
*‡52	805023	Gasket – Carburetor Mtg.	
†102	805541	Gasket – Intake Elbow	
†104	805545	Pin – Float Hinge	
†105	805547	Valve – Fuel Inlet	
†117	805548	Jet – Main	
†118	807719	Valve – Idle Adjusting Needle	
121	807726	Carburetor Kit	
†127	805559	Plug – Welch	

Ref. No.	Part No.	Description	No. Used
†147	805553	Jet – Slow Speed	
*‡167	805420	Washer – Valve Cover	
‡171	805019	Nut – Nylock	
‡*524A	271983	Seal – Filler Plug	
†634A	805557	Collar – Throttle	
†634B	805543	Collar – Choke	
*722	805483	Seal – Breather Screw	
*‡883	805024	Gasket – Exhaust Manifold	
†987	805544	Seal – Shaft	
*‡1022	805028	Gasket – Valve Cover	
1033	807990	Overhaul Kit – Valve	
1036	807688	Gasket Set – Breather	

*Included in Gasket Set – Part No. 807989.

†Included in Carburetor Kit – Part No. 807726.

‡Included in Valve Overhaul Kit – Part No. 807990.



Assemblies include all parts shown in frames.

ENGINE BRIGGS & STRATTON MODEL 303447-0479-01

Ref. No.	Part No.	Description	No. Used
188	805247	Screw – Hex. Head	
309	808106	Motor – Starting	
310	496880	Bolt – Thru	
510	496881	Drive – Starter	
544	496816	Armature – Starter	

Ref. No.	Part No.	Description	No. Used
801	496814	Cap Assy. – Drive	
802	496813	Cap Assy. – Commutator	
803	496815	Housing – Starter	

TORO PART NUMBER INDEX

Part No.	Description	Pg. No.	Ref. No.	Qty.	Part No.	Description	Pg. No.	Ref. No.	Qty.
493963	Muffler	26	19	1	27-2830	Decal - Parking Brake	1	9	1
3-0348	Bushing - Sleeve	3	11	6	27-6600	Spacer - Coupling	27	15	4
3-0348	Bushing - Sleeve	4	14	6	28-1400	Battery	20	11	1
3-0348	Bushing - Sleeve	6	22	6	28-3680	Tire	8	2	2
3-1506	Bushing - Flange	3	16	4	28-3680	Tire	29	9	1
3-1506	Bushing - Flange	4	30	4	28-4210	Solenoid - Starter	20	5	1
3-1506	Bushing - Flange	6	38	4	28-7890	Module - Interlock	21	26	1
3-4808	Nut - Wing	34	1	1	28-8080	Boot Terminal	20	13	1
3-6657	Clip - Skid	34	4	2	29-9080	Handle	33	3	1
3-6685	Spring - Compression	19	17	1	29-9090	Hose - Handle	33	4	1
5-0946	Key - Square	27	12	1	36-4310	Brush	33	5	1
5-0946	Key - Square	28	16	1	37-8130	Basket - Grass	2	*	3
5-1226	Washer - Shim	3	10	2	38-0410	Nut - Hex.	14	53	1
5-1226	Washer - Shim	4	16	2	38-0410	Nut - Hex.	16	59	1
5-1226	Washer - Shim	6	24	2	39-9600	Clamp - Mounting	21	9	1
5-3934	Bolt - Castor	29	20	1	42-2680	Race R. Detent	13	46	1
10-6060	Pin - Lift Cylinder	3	7	1	43-2830	Nut - Hex	26	33	1
10-6060	Pin - Pivot	4	19	1	43-5220	Ring - Retaining	7	10	1
10-6090	Pin - Pivot	4	33	1	43-5230	Shaft & Clevis	7	11	1
10-6090	Pin - Pivot	3	37	1	43-5930	Washer - Lock	26	25	2
10-6090	Pin - Pivot	6	41	1	43-8600	Spring - Compression	19	21	1
10-6110	Pin - Hinge	3	3	1	43-8610	Seat - Ball	19	20	1
10-6110	Pin - Pivot	4	24	1	43-8620	Guide - Switch	19	23	1
10-6821	Brake Drum Assembly	8	*	2	43-8860	Plunger - Switch	19	22	1
10-6830	Stud - Drive	29	17	4	43-8870	Boot - Switch	19	26	1
10-6850	Drum - Brake	8	6	2	43-9071	Seat Switch Assembly	19	*	1
10-6870	Hub - Wheel	8	5	2	44-0870	Shaft - Cam	10	5	1
10-7070	Key - Square	27	20	1	44-2230	Coupling - Rubber	27	16	1
10-7820	Pivot Hinge Assembly	3	12	1	44-5560	Head - Oil Filter	20	27	1
10-7820	Pivot Hinge Assembly	4	25	1	46-8560	Screw - Self Taping	20	20	3
10-7820	Pivot Hinge Assembly	6	33	1	47-2890	Bushing - Sleeve	17	20	2
10-7850	Latch - Parking Brake	1	23	1	47-5320	Lever - Control	10	40	1
10-7880	Hinge - Upper	1	8	1	47-6990	Nut - Steering Wheel	17	10	1
10-7890	Hinge - Lower	1	22	1	48-7610	Screw - Cap Hex. Hd.	24	9	1
10-8100	Strap - Brake Shaft	1	31	2	48-7620	Screw - Cap Hex. Hd.	26	36	1
10-8110	Washer - Thrust	3	9	6	49-5430	Rod - Control	10	1	1
10-8110	Washer - Thrust	4	15	6	49-5430	Rod - Control	1	4	1
10-8110	Washer - Thrust	6	23	6	49-5880	Shaft - Seat Support	19	27	1
10-8140	Spring - Torsion	1	7	1	49-6110	Guard - Transfer Rod	1	6	1
11-0160	Roller Shaft Screw Assy.	3	14	2	49-6120	Pad - Footrest	1	13	1
11-0160	Roller Shaft Screw Assy.	4	28	2	49-6200	Lever - Cutting Control	2	42	1
11-0160	Roller Shaft Screw Assy.	6	36	2	49-6220	Bracket - Control Arm	10	9	1
12-3270	Screw - Hex. Washer Hd.	26	17	4	49-6250	Bracket - Traction Pivot	10	35	1
12-3270	Screw - Hex. Washer Hd.	10	38	1	49-6260	Assy. - Pivot, Traction	10	21	1
12-3270	Screw - Thread Forming	12	50	1	49-6290	Shaft - Traction Pivot	10	37	1
12-9140	Decal	33	1	1	49-6440	Pedal - Forward	10	42	1
18-6320	Washer - Steering	29	7	4	51-0350	Pin - Seat Spring	19	16	1
20-0070	Tube	34	5	1	51-0780	Slider - Seat	19	31	1
20-0080	Rod	34	7	1	51-0790	Adjuster - Seat	19	6	1
20-0110	Bracket - Alignment	34	2	1	52-1990	Piston	5	3	1
21-8470	Shaft - Roller	3	21	1	52-2720	Roller Assembly	3	20	1
21-8470	Shaft - Roller	4	36	1	52-2720	Roller Assembly	4	35	1
21-8470	Shaft - Roller	6	44	1	52-2720	Roller Assembly	6	43	1
22-6090	Washer - Thrust	33	4	1	52-5860	Collar - Spool	16	51	1
23-8840	Puller - Bolt	33	3	1	52-5880	Ball - Steel	13	47	12
23-8850	Tube - Support	33	5	1	52-5900	Screw - Fillister Hd.	15	37	4
23-8860	Pin - Bearing Rplcmnt.	33	6	1	52-9230	Ring - Retaining	18	2	1
23-8880	Driver - Bearing	33	1	2	52-9260	Screw - Set	18	26	1
26-3790	Nut - Lock	8	4	2	52-9270	Seat - Ball Check	18	24	1
27-1960	Hub - Engine	27	21	1	52-9280	Ball - Check	18	22	1
27-1970	Hub - Pump	27	22	1	52-9290	Retainer - Ball Check	18	21	1
27-2270	Rod - Brake Adjusting	1	29	2	56-2230	Hose - Fuel	24	17	1
27-2320	Bearing - Flange	10	7	2	56-7720	Bolt - Battery	20	17	2
27-2320	Bearing - Flange	1	33	2	56-7970	Clamp Half - Tube	2	45	2
27-2380	Spacer	20	32	2	56-7980	Sleeve - Protective	31	21	3
27-2540	Spacer - Hub	6	31	1	56-7981	Sleeve - Protective	31	22	1
27-2550	Pin - Pivot	6	27	1	56-7986	Sleeve - Protective	31	19	1

*Not Illustrated

TORO PART NUMBER INDEX (Cont.)

3317-873

Part No.	Description	Pg. Ref. No. No. Qty.	Part No.	Description	Pg. Ref. No. No. Qty.
56-7987	Sleeve - Protective	31 20 1	70-9850	Clip - Retaining	8 23 2
57-6140	Clamp Half - Tube	8 20 2	70-9860	Cam - Brake	8 27 2
57-6220	Link	10 17 5	70-9870	Plate - Backing	8 10 2
57-7650	Spring - Torsion	4 11 1	70-9880	Spring - Return	8 7 4
57-7650	Spring - Torsion	6 18 1	71-0990	Orifice	11 43 1
57-7650	Spring - Torsion	3 32 1	71-1500	Brake Assembly	8 * 2
58-6520	Decal - Grease	29 36 2	71-1510	Arm - Brake	8 24 2
58-6530	Decal - Hydraulic Oil	19 33 1	71-3620	Decal - Engine RPM	26 13 1
59-6730	Race - Bearing	18 8 2	72-3850	Seal - Filter	20 28 1
59-6740	Bearing - Needle Thrust	18 9 1	72-4320	Switch - Ball	19 18 1
59-6830	Centering Pin Kit	18 20 1	72-4790	Hold-Down - Battery	20 16 1
61-3310	Plate - Logo	20 21 1	74-0720	Tube - Manual	19 3 1
62-2420	Bar - Lift	6 8 1	74-3570	Filter - Hydraulic Oil	20 29 1
62-2440	Lift Arm Assembly	4 8 1	74-3730	Spacer - Hub	29 11 2
62-2460	Lift Arm Assembly L.H.	3 29 1	74-3810	Load Plate Assembly	32 9 1
62-5070	Decal - Danger	3 13 1	74-3830	Hose - Hydraulic	11 28 1
62-5070	Decal - Danger	4 3 1	74-3830	Hydraulic Hose Assembly	31 12 1
62-5070	Decal - Danger	6 3 1	74-9100	Pad - Forward Pedal	10 25 1
63-3810	Hydraulic Hose Assembly	31 1 1	74-9110	Pad - Reverse Pedal	10 23 1
63-3820	Hydraulic Hose Assembly	31 2 1	75-0540	Tether - Cap	23 9 1
63-3830	Hydraulic Hose Assembly	31 13 1	75-9440	Hub - Wheel	29 15 1
63-3840	Hose - Hydraulic	11 36 1	76-0800	Seal Kit	9 * 1
63-3840	Hydraulic Hose Assembly	31 5 1	76-0810	Housing Assembly	9 * 1
63-3850	Hose - Hydraulic	11 31 1	76-0840	Manifold	9 22 1
63-3850	Hose - Hydraulic	3 39 1	76-0850	Bearing - Thrust	9 12 1
63-3870	Hydraulic Hose Assembly	31 16 1	76-0860	Shaft - Coupling	9 11 1
63-3880	Hose - Hydraulic	11 18 2	76-0870	Plate - Wear	9 18 1
63-3880	Hose - Hydraulic	4 39 2	76-0880	Commutator Assembly	9 * 1
63-4020	Tube - Hydraulic	31 17 1	76-0940	End Cover Assembly	9 24 1
63-4020	Tube - Hydraulic	11 40 1	76-1850	Clevis	5 13 1
63-4030	Tube - Hydraulic	31 18 1	76-1860	Shaft	5 6 1
63-4030	Tube - Hydraulic	11 41 1	77-0480	Screw - Traction Stop	10 34 1
63-4040	Hydraulic Tube Assembly	31 4 1	80-9330	Audio Alarm Assembly	21 25 1
63-4040	Tube - Hydraulic	11 35 1	83-0010	Engine Assembly	26 15 1
63-4050	Fitting - Tee	11 42 2	83-0020	Ignition Switch Assembly	21 14 1
63-8360	Key - Ignition	21 17 1	83-0030	Control - Throttle	21 12 1
63-8410	Washer - Flat	24 4 4	83-0040	Control - Choke	21 13 1
63-8410	Washer - Flat	23 36 3	83-0060	Lift - Pivot	1 26 1
63-8440	Decal - Warning Hot	26 34 1	83-0080	Spring - Torsion	1 25 1
63-8750	Pin - Pivot	6 9 1	83-0140	Pedal - Mow	2 38 1
63-8750	Pin - Pivot	4 10 1	83-0160	Shaft - Brake	2 48 1
63-8750	Pin - Pivot	3 33 1	83-0190	Cover - R.H.	8 18 1
63-9920	Decal - EEC	20 43 1	83-0200	Cover - L.H.	1 17 1
65-4860	Head	5 9 1	83-0540	Pedal - Traction	10 24 1
65-6390	Washer - Thrust	17 13 1	83-0580	Rod - Traction Control	10 32 1
65-8320	Bar - Gauge	2 * 1	83-0630	Arm - Traction Pivot	10 29 1
66-2950	Gauge - Hourmeter	21 5 1	83-0640	Plate - Footrest	1 12 1
67-1300	Decal - TORO	20 39 1	83-0650	Arm - Steering	17 3 1
67-8113	Cap - End	18 18 1	83-0700	Handle - Lockup	17 18 1
68-5100	Rod - Seat Prop	19 10 1	83-0730	Spacer - Lockup	17 15 1
68-5130	Steering Wheel Assembly	17 11 1	83-0740	Disc - Friction	17 14 2
68-5140	Cap - Steering Wheel	17 9 1	83-0750	Screw - Cap Hex. Hd. L.H.	17 6 1
68-5260	Fitting - Manifold Tee	11 37 1	83-0760	Plate - Lockup	17 16 1
68-5310	Clip - Seat Rod	19 12 1	83-0780	Support - Steering Valve	17 4 1
68-5380	Lift Arm Assembly	6 21 1	83-0810	Cover - Steering Valve	17 25 1
68-5560	Pin - Cylinder Pivot	6 26 1	83-0820	Gauge - Ammeter	21 4 1
68-5880	Hose - Hydraulic	20 30 1	83-0830	Panel - Control Upper	20 33 1
68-6150	Breather	23 44 1	83-0840	Fender - L.H.	20 19 1
69-9760	Plate - Cover	2 50 1	83-0850	Plate - Control Panel	21 2 1
70-2770	Head	7 8 1	83-0870	Fitting - Hydraulic Straight	23 32 3
70-2780	Piston	7 4 1	83-0910	Hose - Hydraulic	23 30 2
70-7130	Tube Assy.	11 3 1	83-0910	Hose - Pump	27 11 2
70-7150	Hose - Hydraulic	12 48 1	83-1030	Mount - Engine	26 4 3
70-8130	Barrel	7 1 1	83-1040	Washer - Mount	26 2 3
70-8250	Drive	18 16 1	83-1050	Spacer - Mount	26 3 2
70-8610	Hose - Hydraulic	12 51 1	83-1060	Adapter - Pump	26 10 1
70-9840	Shoe - Brake	8 8 4	83-1080	Pipe - Exhaust	26 7 1

*Not Illustrated

TORO PART NUMBER INDEX (Cont.)

Part No.	Description	Pg. No.	Ref. No.	Qty.	Part No.	Description	Pg. No.	Ref. No.	Qty.
83-1100	Harness - Wire (Main)	22	1	1	83-2250	Guage - Sight	23	25	1
83-1100	Harness - Wire (Main)	21	8	1	83-2280	Timer - Relay	21	27	1
83-1110	Harness - Wire (Engine)	22	2	1	83-2310	Shield	26	35	1
83-1150	Wire - Engine Ground	22	5	1	83-2330	Hydraulic Cylinder Assy.	29	33	1
83-1160	Wire - Solenoid-Starter	22	3	1	83-2340	Cap - Threaded	30	2	2
83-1170	Hose - Hydraulic	11	22	1	83-2350	Cap - Head, Thread	30	5	2
83-1170	Hose - Hydraulic	27	28	1	83-2360	Assembly - Rod	30	9	1
83-1180	Hose - Hydraulic	11	6	1	83-2370	Assembly - Barrel	30	12	1
83-1180	Hose - Hydraulic	27	8	1	83-2380	Kit - Seal Repair	30	*	1
83-1190	Hose - Hydraulic	27	1	2	83-2390	Pad - Tank	23	2	1
83-1190	Hose - Hydraulic	11	10	2	83-2400	Spacer - Tank	23	1	2
83-1200	Tube Assy.	11	5	1	83-2420	Wire - Solenoid-Battery	22	4	1
83-1220	Plate - Clamp	8	21	1	83-2450	Hose - Hydraulic	11	1	1
83-1270	Seat Support Assembly	19	7	1	83-2450	Hose - Hydraulic (Top)	8	34	1
83-1350	Hose - Hydraulic	27	7	1	83-2460	Hose - Hydraulic	11	4	1
83-1350	Hose - Hydraulic	17	26	2	83-2460	Hose - Hydraulic (Bottom)	8	*	1
83-1350	Hose - Hydraulic	29	28	1	83-2580	Cylinder - Lift	3	6	1
83-1350	Hose - Hydraulic	12	45	1	83-2580	Hydraulic Cylinder Assy.	4	22	1
83-1360	Hose - Hydraulic	17	27	1	83-2590	Bolt - Shoulder	2	47	1
83-1360	Hose - Hydraulic	29	30	1	83-7230	Hydraulic Cylinder Assembly	6	10	1
83-1370	Hose - Hydraulic	17	28	1	84-2000	Bracket - Brake	8	12	2
83-1390	Fitting - Fuel Shut-Off	24	15	1	84-2203	Control Valve Assembly	16	*	1
83-1400	Shield - Muffler	26	16	1	84-2203	Control Valve Assembly	11	16	1
83-1420	Column - Steering	17	23	1	84-5300	Nut - Jam	29	5	1
83-1430	Hose - Hydraulic	20	23	1	85-6540	Stud - Drive	8	28	8
83-1430	Hose - Hydraulic	23	34	1	85-8120	Plate - Engine Mount	26	28	1
83-1450	Sensor - Oil Level	23	3	1	86-5360	Repair Kit	7	*	1
83-1460	Solenoid Valve Assembly	23	28	1	86-5390	Seal Kit	5	*	1
83-1470	Washer - Neoprene	23	18	4	86-9820	Frame - Pull Rear	6	1	1
83-1520	Screen - Filler	23	6	1	88-9620	Decal - Greensmaster 3100	2	46	1
83-1530	Bracket - Alarm	21	23	1	88-9630	Lift Pivot Bracket R.H.	2	40	1
83-1550	Spacer - Tank (Short)	23	17	2	88-9640	Lift Pivot Bracket L.H.	1	28	1
83-1560	Spacer - Tank (Long)	23	23	2	88-9660	Shaft - Cutting Control	2	36	1
83-1630	Bracket - Muffler Support	26	24	1	88-9700	Hose - Hydraulic	6	15	1
83-1640	Rod End Assembly	29	6	1	88-9700	Hose - Hydraulic	11	20	1
83-1660	Switch Assembly	21	6	1	92-0585	Pull Arm Assembly R.H.	3	19	1
83-1670	Fitting - Special	11	27	1	92-0585	Pull Arm Assembly R.H.	4	34	1
83-1680	Hose - Hydraulic	6	13	1	92-0585	Pull Arm Assembly R.H.	6	42	1
83-1680	Hose - Hydraulic	11	30	1	92-0586	Pull Arm Assembly L.H.	3	17	1
83-1690	Hose - Hydraulic	11	21	1	92-0586	Pull Arm Assembly L.H.	4	31	1
83-1690	Hose - Hydraulic	3	40	1	92-0586	Pull Arm Assembly L.H.	6	39	1
83-1700	Bushing - Flange	8	33	2	92-1180	Seat Assembly	19	5	1
83-1700	Bushing - Flange	17	35	1	92-2545	Seals - Spool	14	*	1
83-1780	Decal - Service	19	34	1	92-2545	Seals - Spool	16	*	1
83-1790	Decal - Warning	17	5	1	92-2546	Wiper - Seal	13	25	4
83-1840	Cover - R.H.	19	32	1	92-2546	Wiper - Seal	16	64	5
83-1850	Decal - Traction	20	38	1	92-2547	Plate - Seal Retainer	15	18	5
83-1860	Centering Spring Kit	18	12	1	92-2547	Plate - Seal Retainer	13	24	4
83-1870	Gerotor	18	17	1	92-2548	Seals - Spool	14	*	1
83-1880	Control Parts Assembly	18	*	1	92-2548	Seals - Spool	16	*	1
83-1890	Switch - Ball	14	54	1	92-2548	Seals - Spool	16	*	1
83-1890	Switch - Ball	16	60	1	92-2549	Seals - Spool	16	*	1
83-1940	Guard - Pump	27	30	1	92-3058	Spring - Centering	13	41	1
83-2000	Spool - Valve	23	42	1	92-3148	Spring	15	23	1
83-2010	Coil - Valve	23	43	1	92-4063	Plug - Filler Cap	23	7	1
83-2030	Plate - Filler	21	3	1	92-5524	Decal - Noise Rating	20	42	1
83-2040	Hose - Fuel	24	14	1	92-6533	Kit - Cushion	19	35	1
83-2041	Hose - Fuel	24	11	1	92-6534	Shell	19	36	1
83-2050	Decal - Steering Arm	17	32	1	92-7189	Tank - Fuel	24	2	1
83-2070	Hose - Valve	23	14	1	92-8020	Adapter - Breather	23	21	1
83-2080	Hose - Valve-Tank	23	29	1	92-8690	Steering - Valve Assembly	17	24	1
83-2090	Hose - Overflow	23	15	1	92-8691	Bushing - Seal Gland	18	3	1
83-2100	Tank - Auxiliary Hydraulic	23	26	1	92-8695	Seal Kit	18	*	1
83-2200	Nut - Special	24	8	1	92-8696	Screw - Torx Hd.	18	19	7
83-2220	Deflector - Exhaust	26	20	1	92-8697	Plate - Wear	18	15	1
83-2230	Screw - Cap Hex. Hd.	26	22	4	92-8795	Body Assembly	32	10	1
83-2240	Arrestor - Spark	26	*	1	92-8796	Pin - Dowel	32	14	2
					92-8863	Repair Kit	32	*	1

*Not Illustrated

TORO PART NUMBER INDEX (Cont.)

3317-873

Part No.	Description	Pg. No.	Ref. No.	Qty.	Part No.	Description	Pg. No.	Ref. No.	Qty.
92-8966	Reservoir - Hydraulic	23	5	1	237-30	Seal - O-Ring	27	27	1
92-9164	Frame Assembly	20	18	1	237-35	Seal - O-Ring	6	11	2
92-9176	Frame - Pull L.H.	3	24	1	237-42	Seal - O-Ring	27	4	4
92-9177	Frame - Pull R.H.	4	1	1	237-42	Seal - O-Ring	31	9	3
92-9199	Motor - Hydraulic	8	22	2	237-42	Seal - O-Ring	11	15	4
92-9761	Link - Drive	9	13	7	237-42	Seal - O-Ring	17	31	4
92-9762	Screw - Cap Hex. Hd.	9	14	1	237-54	O-Ring	15	3	6
92-9763	Rotor Set	9	*	1	237-54	O-Ring	13	6	8
92-9764	Hydraulic Pump Assembly	27	9	2	237-58	Seal - O-Ring	11	34	1
92-9766	Plate - Gear 66B	28	14	1	237-65	Seal - O-Ring	11	2	6
92-9772	Shaft - Drive	28	20	1	237-65	Seal - O-Ring	8	15	4
92-9773	Gear - 66B	28	21	1	237-78	Seal - O-Ring	6	14	2
92-9774	Idler Shaft - Gear Assy.	28	12	1	237-78	Seal - O-Ring	29	32	2
93-1386	Section #5 Assembly	16	*	1	237-78	Seal - O-Ring	3	38	2
93-2524	Fork - Castor	29	19	1	237-78	Seal - O-Ring	4	38	2
93-2554	Valve - Needle	12	53	1	237-79	Seal - O-Ring	31	7	3
93-2555	Fitting - Valve Body	11	17	1	237-79	Seal - O-Ring	11	9	4
93-2556	Needle Valve Assembly	12	*	1	237-79	Seal - O-Ring	23	11	5
93-3101	Cap - Fuel	24	1	1	237-80	Seal - O-Ring	23	4	1
93-3651	Retainer - Boot	13	22	2	237-80	Seal - O-Ring	8	13	4
93-3651	Retainer - Boot	15	47	3	237-80	Seal - O-Ring	27	25	1
93-3652	Boot - Spool Assembly	14	*	2	237-80	Seal - O-Ring	11	32	3
93-3652	Boot - Spool Assembly	16	*	3	237-81	Seal - O-Ring	11	38	1
93-7160	Cap - Hydraulic Reservoir	23	8	1	237-101	Seal - O-Ring	20	26	2
93-7629	Pad - Brake	2	49	1	237-123	Seal - O-Ring	23	24	1
93-7630	Pad - Mow	2	39	1	237-143	Grommet	20	40	2
93-7631	Pad - Lift	2	37	1	237-177	Seal - O-Ring	23	33	3
93-8075	Decal - Mow/Lift	1	14	1	240-11	Grommet	24	3	4
93-9346	Clamp - Pressure Hose	31	23	6	240-11	Grommet	23	37	3
93-9347	Clamp - Return Hose	31	24	6	242-50	Nut - Lug	29	8	4
93-9934	Traction Handle Assembly	10	12	1	242-50	Nut - Lug	8	29	8
93-9936	Bracket - Cable	10	44	1	2410-18	Plug	33	2	1
93-9937	Cable - Traction Return	10	45	1	2410-73	Retainer - Tether	23	10	1
94-2690	Filter - Fuel	24	13	1	2411-42	Joint - Ball L.H. Thread	10	30	1
94-2694	Cover - R.H.	20	2	1	2411-43	Joint - Ball R.H. Thread	10	33	1
94-2959	Ball Joint Receiver Assy.	4	4	2	2412-34	Clamp - Hose	27	10	2
94-2959	Ball Joint Receiver Assy.	6	4	2	2412-34	Clamp - Hose	20	24	2
94-2959	Ball Joint Receiver Assy.	3	25	2	2412-34	Clamp - Hose	23	31	3
94-3506	Reel Motor Assembly	31	8	3	2412-36	Clamp - Hose	23	13	4
94-3507	Cover Assembly	32	4	1	2412-36	Clamp - Hose	24	16	2
94-3508	Drive Shaft Assembly	32	7	1	2412-39	Clamp - R	21	28	1
94-3509	Idler Gear Assembly	32	6	1	2412-41	Clamp - R	24	5	3
94-4248	Collar Spool	15	26	1	2412-41	Clamp-R	12	47	2
94-5434	Spool #5	15	1	1	2412-94	Clamp - R	24	10	1
94-5586	Bar - Lift L.H.	3	30	1	2412-108	Clamp - Hose	24	12	4
94-5588	Bar - Lift, R.H.	4	9	1	2412-133	Clamp - R	19	4	2
217-60	Rim	8	3	2	2412-141	Clamp - Hose	23	41	2
217-60	Rim	29	10	1	250-6	Tie - Cable	26	*	2
218-461	Nut - Hex.	21	16	1	251-141	Bearing - Ball	3	22	2
218-461	Nut - Hex.	19	25	2	251-141	Bearing - Ball	4	37	2
218-594	Fuse - 20 Amp	21	7	1	251-141	Bearing - Ball	6	45	2
2112-11	Clamp - Muffler	26	14	1	253-111	Seal - Shaft	29	12	2
232-24	Stem - Valve	8	1	2	254-61	Cup - Bearing	29	3	2
232-24	Valve Stem w/Cap	29	18	1	254-70	Cone - Bearing	29	4	2
233-48	Knob	10	11	1	254-78	Cone - Bearing	29	13	2
233-48	Knob	17	17	1	254-79	Cup - Bearing	29	14	2
237-7	Seal - O-Ring	19	24	1	256-2	Bushing - Sleeve	10	20	2
237-21	Seal - O-Ring	27	6	1	256-155	Bushing - Flange	10	26	2
237-21	Seal - O-Ring	11	19	6	256-155	Bushing - Flange	19	28	2
237-21	Seal - O-Ring	17	29	4	256-251	Bushing - Sleeve	10	10	2
237-21	Seal - O-Ring	29	31	2	282-2	Clevis - Adjusting	1	2	5
237-22	Seal - O-Ring	27	2	3	282-2	Clevis - Rod	10	3	1
237-22	Seal - O-Ring	11	11	6	283-8	Pin - Clevis	3	4	1
237-22	Seal - O-Ring	31	11	5	283-8	Pin - Clevis	4	18	1
237-30	Seal - O-Ring	31	3	5	283-57	Pin - Clevis	10	8	1
237-30	Seal - O-Ring	11	7	2	283-61	Pin - Clevis	1	1	5
237-30	Seal - O-Ring	19	19	1	283-61	Pin - Clevis	10	4	1

*Not Illustrated

TORO PART NUMBER INDEX (Cont.)

Part No.	Description	Pg. No.	Ref. No.	Qty.	Part No.	Description	Pg. No.	Ref. No.	Qty.
283-62	Pin - Clevis	10	46	1	3220-3	Nut - Jam	3	23	2
302-2	Fitting - Grease	6	17	1	3220-6	Nut - Jam	5	14	1
302-2	Fitting - Grease	4	23	1	3220-6	Nut - Jam	29	21	2
302-2	Fitting - Grease Straight	3	34	1	3220-20	Nut - Jam L.H. Thread	10	31	1
302-5	Fitting - Grease	30	13	1	3229-22	Bolt - Carriage	1	10	2
302-5	Fitting - Grease	1	27	1	3234-1	Screw - Cap Hex. Hd.	2	53	4
302-5	Fitting - Grease	4	29	4	3234-1	Screw - Hex. Flange Hd.	10	6	4
302-5	Fitting - Grease Straight	3	15	4	3234-4	Screw - Cap Hex. Hd.	12	46	1
302-5	Fitting - Grease Straight	6	37	5	3241-2	Screw - Set Square Hd.	27	19	2
302-11	Fitting - Grease	29	2	1	3241-6	Screw - Set Square Hd.	27	13	2
302-55	Fitting - Grease	29	16	1	3245-1	Screw - Set, Hex. Soc. Hd.	30	1	2
302-60	Fitting - Grease 90°	3	8	2	3246-3	Screw - Set	17	12	1
302-60	Fitting - Grease 90°	4	17	2	3253-3	Washer - Lock	26	26	4
302-60	Fitting - Grease 90°	6	32	1	3253-3	Washer - Lock	23	39	2
304-61	Clamp - R	11	23	1	3253-3	Washer - Lock	16	57	4
321-2	Screw - Cap Hex. Hd.	23	16	1	3253-4	Washer - Lock	19	2	2
321-3	Screw - Cap Hex. Hd.	20	10	4	3253-4	Washer - Lock	20	9	2
321-3	Screw - Cap Hex. Hd.	19	13	1	3253-6	Washer - Lock	26	29	4
321-3	Screw - Cap Hex. Hd.	2	52	3	3253-21	Washer - Lock	27	23	2
321-4	Screw - Cap Hex. Hd.	21	21	1	3253-21	Washer - Lock	4	27	2
321-4	Screw - Cap Hex. Hd.	26	27	4	3253-21	Washer - Lock	3	35	2
321-4	Screw - Cap Hex. Hd.	8	31	1	3253-21	Washer - Lock	6	35	2
321-4	Screw - Hex. Flange Hd.	1	16	2	3254-1	Washer - Lock	20	6	2
321-5	Screw - Cap Hex. Hd.	8	26	8	3254-5	Washer - Lock	21	15	1
321-11	Screw - Cap Hex. Hd.	23	40	2	3254-6	Washer - I.T.L.W.	10	18	2
321-11	Screw - Cap Hex. Hd.	2	43	1	3255-7	Washer - Lock	21	29	1
321-11	Screw - Hex. Washer Hd.	8	17	1	3255-8	Washer - Lock, Int. Tooth	34	9	1
322-1	Screw - Cap Hex. Hd.	3	1	3	3256-1	Washer - Flat	26	18	8
322-1	Screw - Cap Hex. Hd.	4	21	3	3256-1	Washer - Flat	21	20	8
322-1	Screw - Cap Hex. Hd.	6	30	2	3256-1	Washer - Flat	2	51	9
322-1	Screw - Cap Hex. Hd.	27	31	2	3256-22	Washer - Flat	20	3	5
322-2	Screw - Cap Hex. Hd.	19	1	2	3256-22	Washer - Flat	8	30	2
322-3	Screw - Cap Hex. Hd.	6	25	1	3256-22	Washer - Flat	2	44	1
322-3	Screw - Cap Hex. Hd.	26	32	6	3256-22	Washer - Flat	23	45	1
322-4	Screw - Cap Hex. Hd.	27	32	2	3256-22	Washer - Flat	12	52	1
322-4	Screw - Cap Hex. Hd.	20	36	4	3256-23	Washer - Flat	3	2	3
322-5	Screw - Cap Hex. Hd.	10	36	2	3256-23	Washer - Flat	27	17	8
322-6	Screw - Cap Hex. Hd.	27	18	4	3256-23	Washer - Flat	23	19	4
322-8	Screw - Cap Hex. Hd.	26	21	2	3256-23	Washer - Flat	4	20	3
322-14	Screw - Cap Hex. Hd.	23	20	2	3256-23	Washer - Flat	26	23	2
322-14	Screw - Cap Hex. Hd.	11	39	3	3256-23	Washer - Flat	6	28	3
322-29	Screw - Cap Hex. Hd.	23	22	2	3256-23	Washer - Flat	19	30	4
323-4	Screw - Cap Hex. Hd.	17	7	2	3256-23	Washer - Flat	20	35	4
323-6	Screw - Cap Hex. Hd.	24	6	3	3256-24	Washer - Flat	10	14	6
323-6	Screw - Cap Hex. Hd.	23	35	3	3256-24	Washer - Flat	4	26	2
323-8	Screw - Cap Hex. Hd.	27	24	2	3256-24	Washer - Flat	6	34	2
323-12	Screw - Cap Hex. Hd.	26	1	3	3256-24	Washer - Flat	2	35	9
323-13	Screw - Cap Hex. Hd.	1	5	4	3256-24	Washer - Flat	3	36	2
324-7	Screw - Cap Hex. Hd.	26	30	4	3256-26	Washer - Flat	4	12	1
325-4	Screw - Cap Hex. Hd.	17	19	2	3256-26	Washer - Flat	6	20	1
325-11	Screw - Cap Hex. Hd.	8	9	8	3256-26	Washer - Flat	3	31	1
3211-2	Screw - Cap Hex. Hd.	10	19	2	3256-26	Washer - Flat	17	34	2
3217-5	Nut - Hex.	20	12	2	3256-28	Washer - Flat	29	27	1
3217-6	Nut - Hex.	10	48	1	3256-63	Washer - Flat	24	7	1
3217-6	Nut - Hex.	28	1	4	3256-80	Washer - Flat	17	2	3
3217-7	Nut - Hex.	13	33	3	3257-42	Key - Woodruff	8	11	2
3217-12	Nut - Lock	29	26	1	3257-42	Key - Woodruff	9	17	1
3218-13	Nut - Jam	20	8	2	3272-4	Pin - Cotter	10	13	1
3219-2	Nut - Hex.	34	6	1	3272-6	Pin - Cotter	1	30	5
3219-2	Nut - Hex.	10	49	1	3272-6	Pin - Cotter	10	41	1
3219-14	Nut - Hex.	20	7	2	3272-10	Pin - Cotter	10	47	1
3219-14	Nut - Hex.	21	10	6	3272-11	Pin - Cotter	3	5	2
3219-18	Nut - Hex.	33	2	1	3272-11	Pin - Cotter	19	9	1
3220-2	Nut - Jam	10	2	1	3272-11	Pin - Cotter	4	13	2
3220-2	Nut - Jam	1	3	5	3272-11	Pin - Cotter	6	19	1
3220-3	Nut - Jam	4	2	2	3272-37	Pin - Cotter	29	1	1
3220-3	Nut - Jam	6	2	2	3273-26	Screw - Hex. Socket Hd.	21	18	4

*Not Illustrated

TORO PART NUMBER INDEX (Cont.)

3317-873

Part No.	Description	Pg. No.	Ref. No.	Qty.	Part No.	Description	Pg. No.	Ref. No.	Qty.
3274-7	Screw - Socket Hd.	26	9	2	340-14	Fitting - Hydraulic 45°	8	14	4
3274-12	Screw - Hex. Socket Hd.	19	29	4	340-16	Fitting - Hydraulic 90°	11	33	1
3274-15	Screw - Fillister Hd.	13	43	2	340-18	Fitting - Hydraulic 90°	11	13	1
3274-31	Screw - Hex. Socket Hd.	1	15	4	340-77	Fitting - Hydraulic 90°	31	10	2
3274-39	Screw - Cap Hex. Hd.	17	21	6	340-77	Fitting - Hydraulic 90°	11	14	2
3274-52	Screw - Hex. Socket Hd.	13	20	4	340-82	Fitting - Hydraulic 90°	27	5	1
3274-52	Screw - Hex. Socket Hd.	15	45	6	340-87	Fitting - Hydraulic 45°	27	3	3
3274-63	Screw - Hex. Socket Hd.	17	33	2	340-87	Fitting - Hydraulic 45°	31	15	1
3274-64	Screw - Hex. Socket Hd.	20	4	3	340-98	Fitting - Hydraulic 90°	31	14	3
3274-69	Screw - Hex. Socket Hd.	21	1	8	340-101	Fitting - Hydraulic 45°	11	8	1
3274-70	Screw - Hex. Socket Hd.	13	1	2	340-103	Fitting - Hydraulic 45°	6	12	2
3274-80	Screw - Cap Hex. Hd.	17	1	3	340-105	Fitting - Hydraulic 90°	27	26	1
3274-84	Screw - Cap, Hex. Hd.	16	58	4	340-132	Fitting - Hydraulic 90°	29	29	2
3284-3	Pin - Groove	19	15	1	340-137	Fitting - Hydraulic 45°	11	44	1
3290-277	Nut - Speed	17	22	6	340-138	Fitting - Hydraulic 45°	11	12	2
3290-317	Washer - Wave	3	18	2	351-78	Edging	19	40	1
3290-317	Washer - Wave	4	32	2	353-301	Poppet	13	27	1
3290-317	Washer - Wave	6	40	2	353-302	O-Ring	15	7	3
3290-357	Nut - Flange Lock	26	8	3	353-302	O-Ring	13	10	3
3290-378	Tie - Cable	26	*	2	353-303	Ring - Backup	15	8	6
3290-379	Tie - Cable	6	46	1	353-303	Ring - Backup	13	9	6
3290-470	Screw - Flat Hd.	20	22	2	353-304	Spring	13	28	1
3296-4	Nut - Lock	10	22	2	353-305	O-Ring	15	5	5
3296-16	Nut - Lock	19	11	1	353-305	O-Ring	13	8	4
3296-16	Nut - Lock	1	21	2	353-306	Ring - Backup	15	4	5
3296-16	Nut - Lock	21	24	9	353-306	Ring - Backup	13	7	4
3296-16	Nut - Lock	20	34	3	353-328	Washer - Shim	13	15	A/R
3296-16	Nut - Lock	12	49	1	353-328	Washer - Shim	15	32	A/R
3296-23	Nut - Lock	8	19	8	353-329	Washer - Shim	13	16	A/R
3296-27	Nut - Lock	21	11	4	353-329	Washer - Shim	15	33	A/R
3296-29	Nut - Lock	19	8	4	353-330	Washer - Shim	13	17	A/R
3296-29	Nut - Lock	27	14	4	353-330	Washer - Shim	15	34	A/R
3296-29	Nut - Lock	10	16	3	353-331	O-Ring	13	29	1
3296-29	Nut - Lock	6	29	1	353-334	Cap - Relief	13	19	2
3296-39	Nut - Lock	1	20	1	353-334	Cap - Relief	15	36	2
3296-42	Nut - Lock	8	25	8	353-392	Seal - Relief Poppet PTFE	13	13	2
3296-59	Nut - Lock	10	15	4	353-392	Seal - Relief Poppet PTFE	15	30	2
3296-59	Nut - Lock	2	34	8	353-398	Spring	15	35	1
3296-67	Nut - Lock	29	25	1	353-417	Collar Spring	15	20	2
32103-12	Nut - Wing	20	14	2	353-417	Collar Spring	13	40	2
32104-76	Screw - Self Tapping	20	1	5	353-481	Plug - Load Check	15	2	3
32108-100	Screw - Flat Hd.	8	16	1	353-481	Plug - Load Check	13	5	3
32120-8	Ring - Retaining	5	10	1	353-483	Body - Anticavitation	16	61	1
32121-6	Pin - Roll	10	39	1	353-484	Retainer - Ball	16	62	1
32121-6	Pin - Roll	2	41	1	353-529	Plate Seal	15	22	1
32121-35	Pin - Roll	1	32	8	353-531	Poppet Assembly	15	31	2
32121-45	Pin - Roll	19	14	1	353-531	Poppet Assy.	13	14	2
32121-45	Pin - Roll	10	28	1	353-550	Plug - Hydraulic	23	38	1
32121-51	Pin - Roll	10	43	1	353-550	Plug Assembly	15	13	1
32122-35	Screw - Truss Head	34	8	1	353-563	Fitting - Hydraulic Straight	20	25	1
32128-20	Nut - Flange Lock	11	24	3	353-564	Fitting - Hydraulic 90°	20	31	1
32128-20	Nut - Flange Lock	10	27	1	353-575	Boot - Dust Cap	13	21	2
32128-20	Nut - Flange Lock	27	29	2	353-575	Boot - Dust Cap	15	46	3
32128-20	Nut - Flange Lock	26	31	8	353-579	Spring	13	45	1
32128-20	Nut - Lock, Flange	34	3	1	353-599	Pin - Dowel	32	3	2
32128-33	Nut - Flange Lock	1	18	2	353-642	Relief - RC Mod.	14	*	2
32128-33	Nut - Lock	8	32	1	353-642	Relief - RC Mod. Assembly	16	*	1
32136-9	Nut - Hex. Slotted	29	34	1	353-668	Plate - Cap, Cover RH	15	11	1
32141-111	Nut Flange Lock	1	11	1	353-721	Plug	13	35	2
32144-21	Screw - Round Hd.	17	8	2	353-727	Bonnet	13	2	1
32148-6	Insert - Threaded	1	19	8	353-728	Sleeve	14	49	1
32149-2	Nut - Keps	20	37	2	353-729	Spud - Detent	13	3	1
32149-7	Nut - Keps	20	41	2	353-730	Spring	15	42	1
32151-41	Ring - Retaining	32	13	1	353-731	Ball	15	43	1
32152-10	Nut - Hex.	7	2	1	353-732	Sleeve - Detent	14	52	1
32152-10	Nut - Lock	5	2	1	353-733	Spacer - Bonnet	13	4	1
340-1	Fitting - Hydraulic Straight	17	30	4	353-733	Spacer - Bonnet	15	19	2

*Not Illustrated

TORO PART NUMBER INDEX (Cont.)

Part No.	Description	Pg. No.	Ref. No.	Qty.	Part No.	Description	Pg. No.	Ref. No.	Qty.
353-737	Ball	16	63	1	353-952	Ring - Backup	13	32	1
353-758	Seal - O-Ring	13	31	1	353-953	Plug Assembly	16	54	1
353-760	Body Relief	13	30	1	353-957	Seal - Lip	15	15	6
353-762	Spud - Detent Out	14	50	1	353-957	Seal - Lip	13	26	4
353-763	Cap - Adjustment	13	44	1	353-958	Ring - Backup	15	16	1
353-766	Relief WH (2000) PSI Assy.	14	*	1	353-967	Gear - 33B	28	24	6
353-768	Section #1 Complete	14	*	1	353-969	Plate - Gear 33B	28	25	3
353-772	Left End Cover	13	34	1	354-2	Body Assembly	28	15	1
353-780	Bonnet - R. Detent	13	42	1	354-3	Bearing Plate Assembly	28	22	1
353-780	Positioner - R. Detent (Out)	14	*	1	354-4	Bearing Plate Assembly	28	28	1
353-808	Collar - Spring	15	24	1	354-5	Adapter - Splined	28	27	1
353-830	O-Ring	15	25	1	354-6	Plate - Gear 18B	28	30	1
353-831	Spring	15	21	1	354-7	Cover Assembly	28	31	1
353-833	Positioner Assembly	16	*	1	354-8	Drive Shaft - Gear Assy.	28	29	1
353-835	Seals - Section Set	14	*	1	354-9	Idler Shaft - Gear Assy.	28	5	1
353-835	Seals - Section Set	16	*	1	354-11	Pin - Dowel	28	4	2
353-837	Section #2 Complete	14	*	1	354-12	Pin - Dowel	28	6	2
353-839	Positioner - DI (SPL) Assy.	14	*	1	354-13	Pin - Dowel	28	11	4
353-840	Position - DI (SP) Assy.	16	*	1	354-14	Pin - Dowel	28	13	2
353-841	Position - Spool Assembly	16	*	1	354-15	Seal - Shaft	28	17	1
353-844	Plus Series	16	55	1	354-16	Washer - Lock	28	2	4
353-845	Sleeve - Detent	15	41	1	354-17	Stud - Threaded	28	3	4
353-846	Spud - DI (SPL)	15	40	1	354-25	Section #4 Assembly	16	*	1
353-847	Bonnet (SPL)	15	38	1	354-26	Bonnet	15	27	2
353-848	O-Ring	15	14	1	354-28	Screw - Hex, Socket Hd.	15	28	2
353-849	Sleeve	15	39	1	354-29	Plate - Thrust	13	48	1
353-850	O-Ring	16	56	1	354-35	Gasket	28	32	1
353-851	Body - Relief CP-RC Mod.	13	12	1	354-46	Ring - Seal	32	8	1
353-851	Body - Relief CP-RC Mod.	15	29	2	354-50	Screw - Hex Socket Hd.	32	1	4
353-853	Bolt - Hex Hd.	15	10	3	354-51	Washer	32	2	4
353-855	Spring	13	18	2	354-120	Fitting - Hydraulic 90°	23	27	3
353-855	Spring	15	44	1	354-121	Fitting - Hydraulic Straight	23	12	1
353-884	Key - Woodruff	28	19	4	354-122	Disc - Seal	16	52	1
353-886	Ring - Retaining	28	18	2	354-129	Anticavitation Check Assy.	16	*	1
353-922	Seal - Ring	28	23	10	354-131	Section #3 Assembly	16	*	1
353-923	Bearing Plate Assembly	28	26	2					

*Not Illustrated

PRODUCT CHANGES

In an effort to make improvements available to TORO owners as quickly as possible, minor changes are incorporated into Toro's products from time to time that do not become immediately shown in the Parts Catalog. If such a change has been made in your unit, which is not reflected in your manual, see your TORO Distributor or his Authorized TORO Service Dealer for information and part numbers.

IDENTIFICATION AND ORDERING

MODEL AND SERIAL NUMBERS

The Greensmaster 3100 has two identification numbers; a model number and a serial number. The two numbers are stamped on a plate which is located on the main frame under the seat. In any correspondence concerning the Greensmaster 3100, supply model and serial numbers to assure that correct information and replacement parts are obtained.

To order replacement parts from an Authorized TORO Service Dealer, supply the following information:

- 1. Model and serial number of the Greensmaster 3100.
- 2. Part number, description, and the quantity of part(s) desired.

NOTE: Do not order by reference number if a parts catalog is being used; use the PART NUMBER.

TABLE OF CONTENTS

Description	Page	Description	Page
Control Pedal Assembly	1-2	Control Panel Assembly	21
Pull Frame Assembly L.H.	3	Electrical Schematic	22
Pull Frame Assembly R.H.	4	Hydraulic Reservoir Assembly	23
Hydraulic Cylinder Assembly No. 83-1250	5	Fuel Tank Assembly	24
Pull Frame Assembly Rear	6	Hydraulic Schematic	25
Hydraulic Cylinder Assembly No. 83-7230	7	Engine Installation Assembly	26
Front Wheel & Brake Assembly	8	Hydraulic Pump Installation Assembly	27
Hydraulic Drive Motor Assembly No. 92-9199	9	Hydraulic Pump Assembly No. 92-9764	28
Traction Controls Assembly	10	Rear Wheel Assembly	29
Control Valve Installation Assembly	11-12	Hydraulic Cylinder Assembly No. 83-2330	30
Control Valve Assembly No. 84-2203 (Sections 1 & 2)	13-14	Reel Motor Installation Assembly	31
Control Valve Assembly No. 84-2203 (Sections 3 thru 5)	15-16	Reel Motor Assembly No. 94-3506	32
Steering Arm Assembly	17	Special Tools	33-34
Power Steering Valve Assembly No. 92-8690 ...	18	Briggs & Stratton Engine Assembly	
Seat Assembly	19	Model 303447-0479-01	35-45
Frame Assembly	20	International Parts Reference	46-47
		Part Number Index	48-54

