

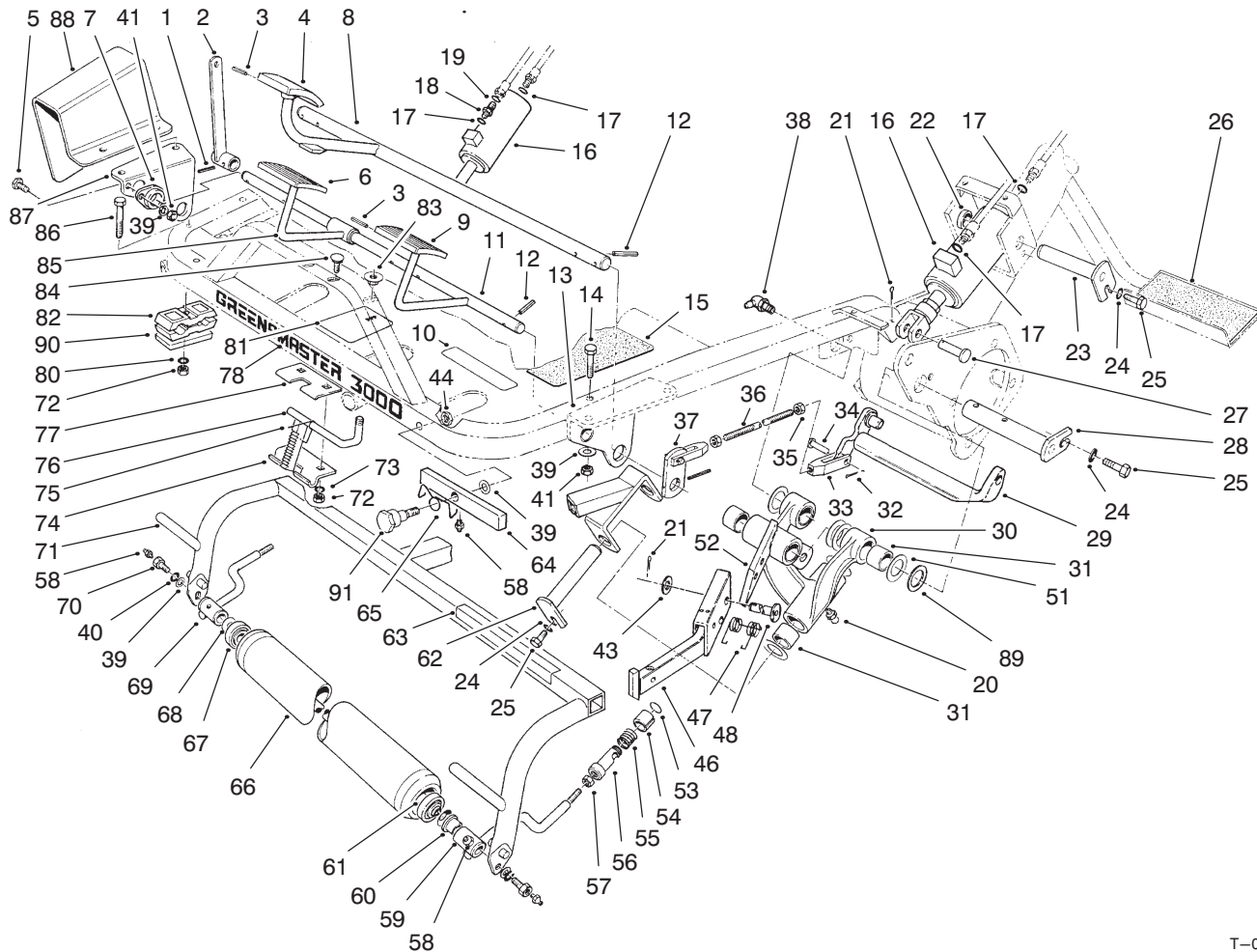


MODEL NO. 04350 – 60001 & UP

PARTS CATALOG

GREENSMASTER 3000

TRACTION UNIT

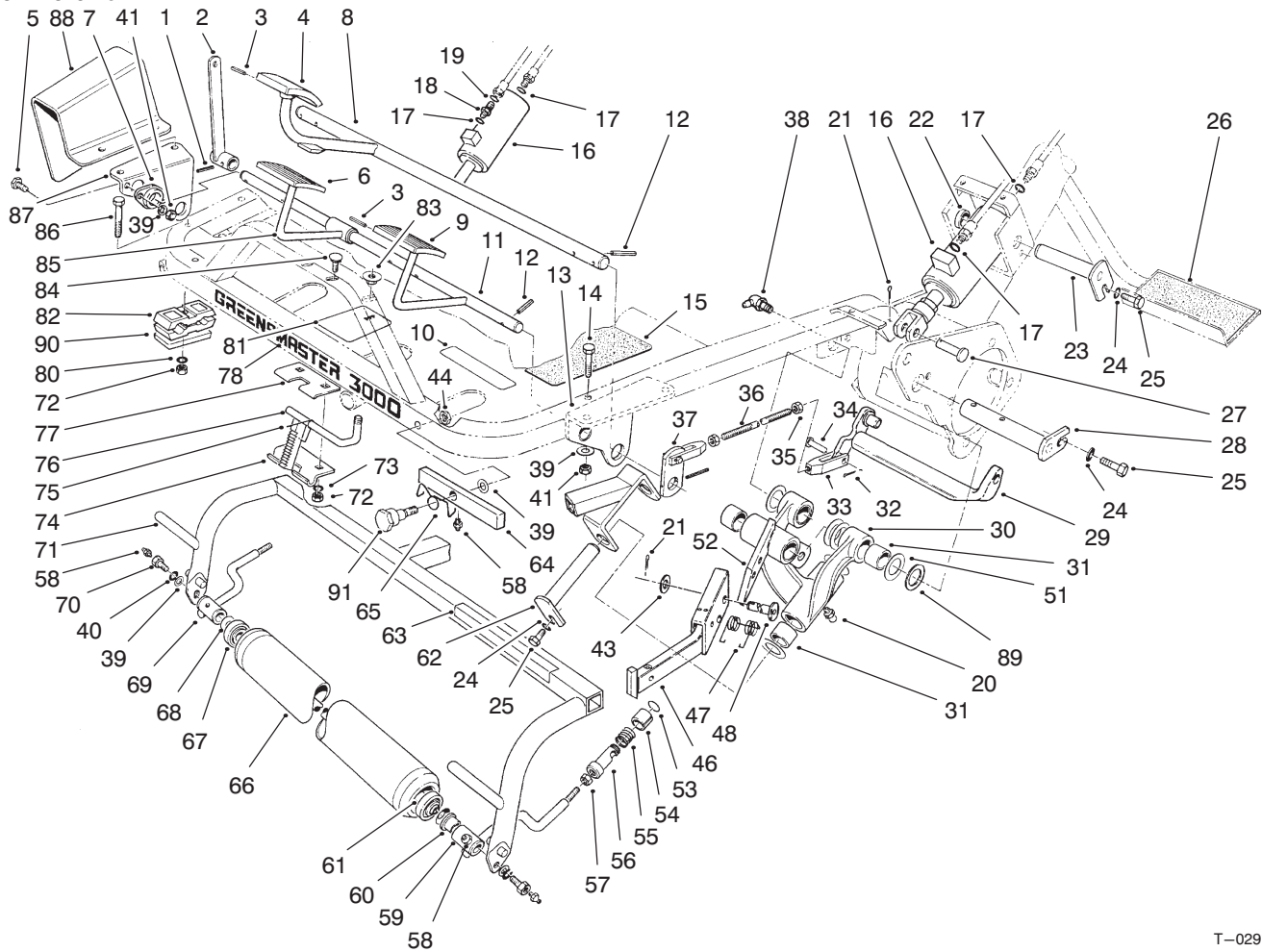


T-0291A

FOOT PEDALS & ROLLER ASSEMBLY

| Ref. No. | Part No. | Description | No. Used |
|----------|----------|---------------------------|----------|
| 1 | 32121-6 | Pin – Roll | 1 |
| 2 | 49-6200 | Lever – Cutting Control | 1 |
| 3 | 32121-45 | Pin – Roll | 3 |
| 4 | 93-7629 | Foot Pad – Brake | 1 |
| 5 | 3234-1 | Screw – Hex. Flange Hd. | 4 |
| 6 | 93-7630 | Foot Pad – Mow | 1 |
| 7 | 27-2320 | Bearing – Flange | 2 |
| 8 | 83-0160 | Shaft – Brake | 1 |
| 9 | 93-7631 | Foot Pad – Lift | 1 |
| 10 | 93-8075 | Decal – Mow/Lift | 1 |
| 11 | 88-9660 | Shaft – Cutting Control | 1 |
| 12 | 32121-35 | Pin – Roll | 8 |
| 13 | 88-9640 | Lift Pivot Bracket – L.H. | 1 |
| 14 | 323-10 | Screw – Cap, Hex Hd. | 4 |
| 15 | 49-6120 | Pad – Footrest | 1 |
| 16 | 84-8290 | Cylinder – Hydraulic | 2 |

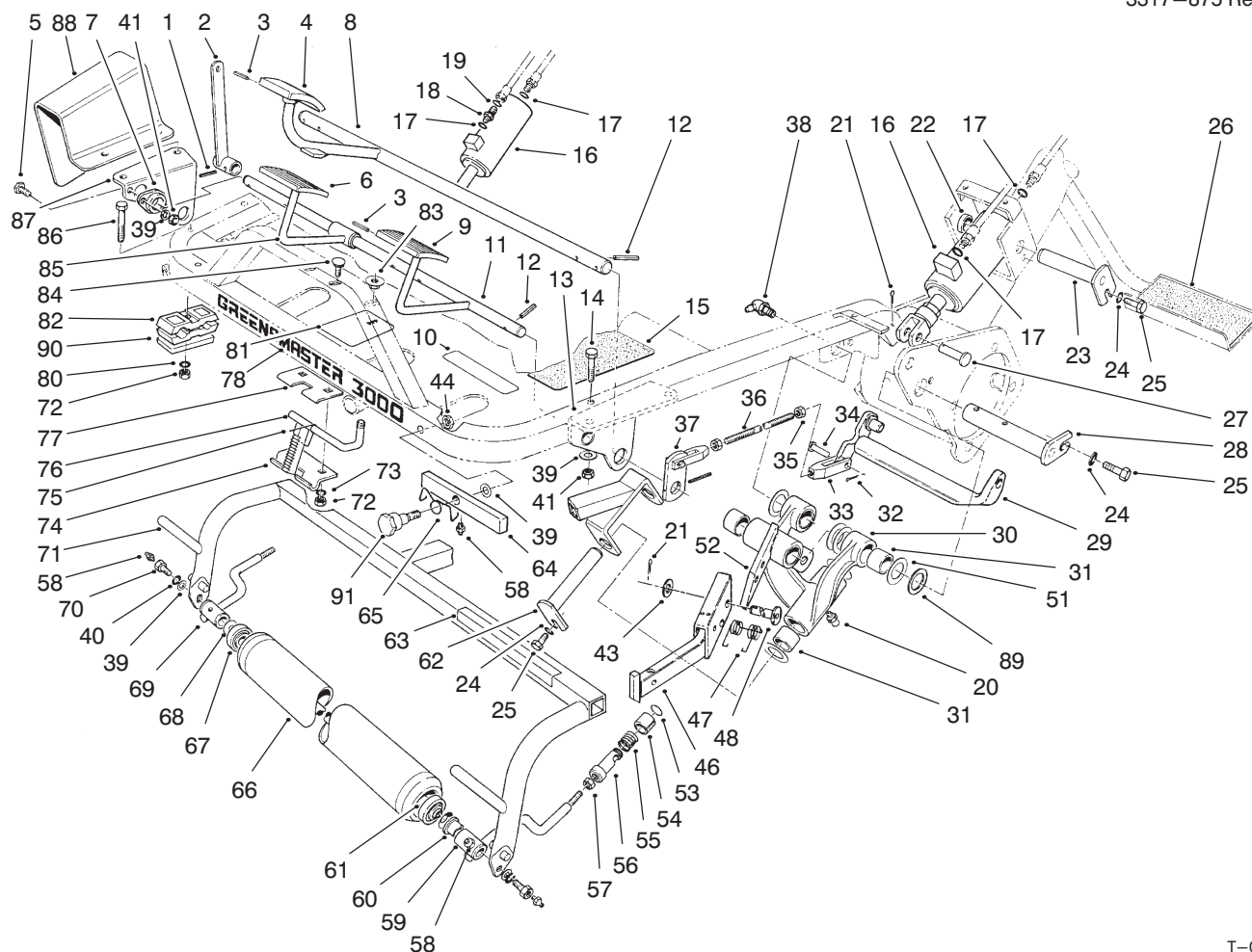
| Ref. No. | Part No. | Description | No. Used |
|----------|----------|-----------------------|----------|
| 17 | 237-78 | O-Ring | 4 |
| 18 | 340-92 | Fitting – Straight | 1 |
| 19 | 237-21 | O-Ring | 1 |
| 20 | 302-60 | Fitting – Grease | 4 |
| 21 | 3272-11 | Pin – Cotter | 3 |
| 22 | 74-3730 | Spacer | 2 |
| 23 | 10-6060 | Pin – Ram Pivot | 2 |
| 24 | 3256-23 | Washer – Plain | 6 |
| 25 | 322-1 | Screw – Cap, Hex. Hd. | 6 |
| 26 | 62-2660 | Pad – Foot Step | 1 |
| 27 | 283-8 | Pin – Clevis | 2 |
| 28 | 10-6110 | Pin – Hinge | 2 |
| 29 | 71-1510 | Lever – Brake | 1 |
| 30 | 10-7820 | Hinge – Pivot | 1 |
| | | (Incl. Ref. #31) | 1 |
| 31 | 3-0348 | Bushing | 10 |



T-0291A

FOOT PEDALS & ROLLER ASSEMBLY (Continued)

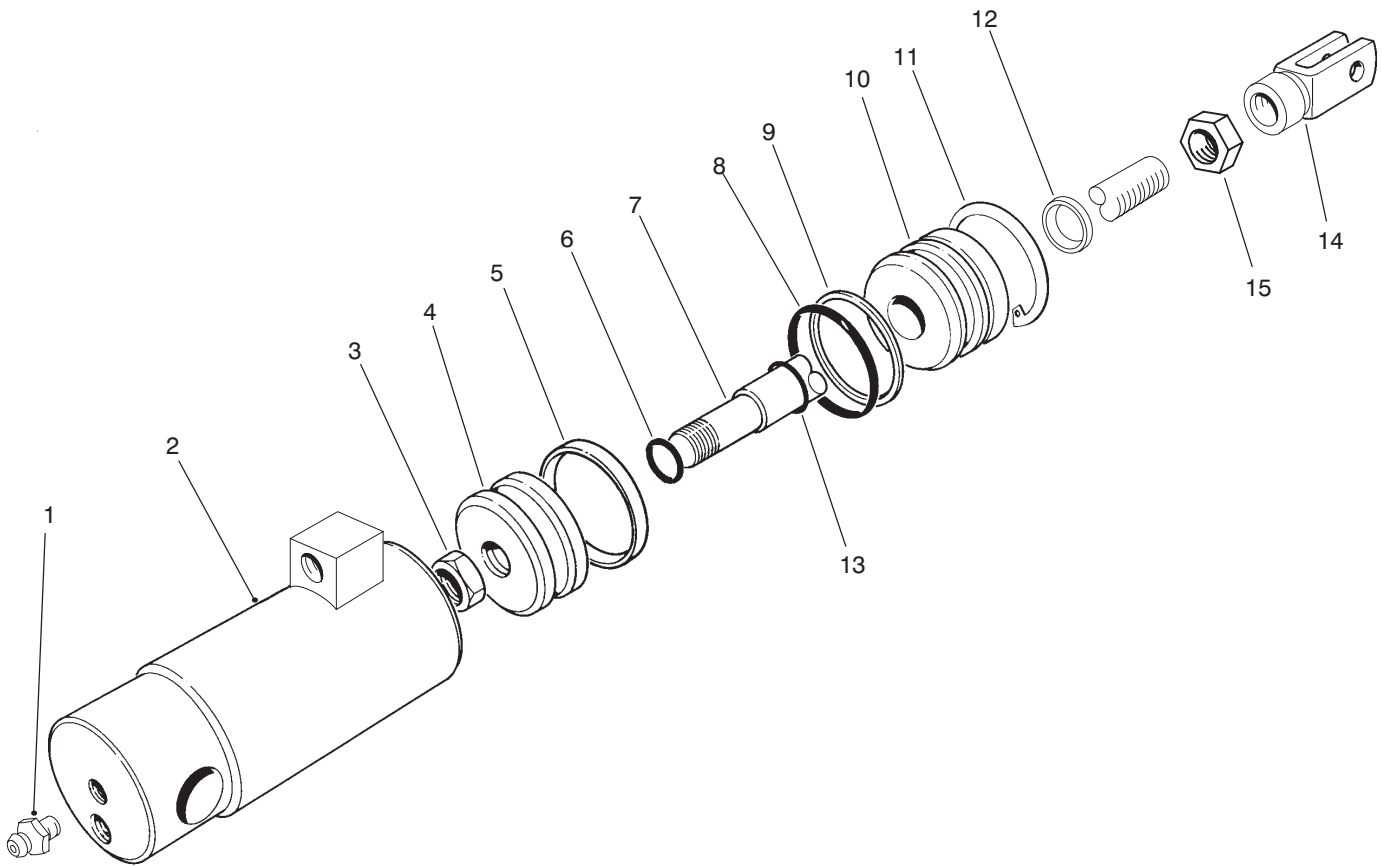
| Ref. No. | Part No. | Description | No. Used | Ref. No. | Part No. | Description | No. Used |
|----------|----------|--|----------|----------|----------|--|----------|
| 32 | 3272-6 | Pin - Cotter | 4 | 59 | 92-0586 | Pull Arm Assembly - L.H. (Incl. Ref. #60) | 3 |
| 33 | 282-2 | Yoke | 4 | 60 | 3-1506 | Bushing | 12 |
| 34 | 283-1 | Pin - Clevis | 4 | 61 | 21-8470 | Shaft - Yoke Roller | 3 |
| 35 | 3220-2 | Nut - Hex | 4 | 62 | 10-6090 | Pin - Pivot | 2 |
| 36 | 27-2270 | Rod - Brake Adjustment | 2 | 63 | 62-5070 | Decal - Danger | 1 |
| 37 | 10-8100 | Strap - Brake Shaft | 2 | 64 | 83-0060 | Lift Pivot | 1 |
| 38 | 302-11 | Fitting - Grease 45° | | 65 | 83-0080 | Spring - Lift Pivot | 1 |
| 39 | 3256-24 | Washer - Flat | 15 | 66 | 52-2720 | Roller Assembly (Incl. Ref. #67) | 3 |
| 40 | 3253-21 | Washer - Lock | 8 | 67 | 251-141 | Bearing - Ball | 6 |
| 41 | 3296-59 | Nut - Hex. | 8 | 68 | 3290-317 | Washer - Spring | 6 |
| 43 | 3256-26 | Washer - Flat | 1 | 69 | 92-0585 | Pull Arm Assembly - R.H. (Incl. Ref. #60) | 3 |
| 44 | 3296-39 | Nut - Lock | 1 | 70 | 11-0160 | Roller Shaft Screw Assy. (Incl. Ref. #58) | 6 |
| 46 | 94-5586 | Bar - Lift Arm L.H. | 1 | 71 | 92-9176 | Pull Frame - L.H. | 1 |
| 47 | 57-7650 | Spring - Torsion | 1 | 72 | 3296-16 | Nut - Hex | 3 |
| 48 | 63-8750 | Pin - Pivot | 1 | 73 | 3253-3 | Washer - Lock | 2 |
| 51 | 10-8110 | Washer - Thrust | 18 | 74 | 10-7890 | Hinge - Lower, Park Brake | 1 |
| 52 | 62-2460 | Lift Arm - L.H. (Incl. Ref. #31) | 1 | 75 | 10-8140 | Spring - Brake Latch | 1 |
| 53 | | Ring - Retaining | 6 | 76 | 10-7850 | Latch - Parking Brake | 1 |
| 54 | | Sleeve | 6 | 77 | 10-7880 | Hinge - Upper, Park Brake | 1 |
| 55 | | Spring | 6 | 78 | 92-1199 | Decal - Greensmaster 3000 | 1 |
| 56 | 94-2959 | Ball Joint Receiver Assy. (Incl. Ref. #53-55) | 6 | 80 | 3256-22 | Washer - Flat | 1 |
| 57 | 3220-3 | Nut - Hex, Jam | 6 | 81 | 27-2830 | Decal - Parking Brake | 1 |
| 58 | 302-5 | Fitting - Grease | 8 | | | | |



T-0291A

FOOT PEDALS & ROLLER ASSEMBLY (Continued)

| Ref. No. | Part No. | Description | No. Used | Ref. No. | Part No. | Description | No. Used |
|----------|-----------|----------------------|----------|----------|----------|---------------------------|----------|
| 82 | 56-7970 | Clamp – Tube | 2 | 87 | 88-9630 | Lift Pivot Bracket – R.H. | 1 |
| 83 | 32141-111 | Nut – Hex Hd. Flange | 1 | 88 | 49-6110 | Guard – Transfer Rod | 1 |
| 84 | 3229-22 | Bolt – Carriage | 2 | 89 | 5-1226 | Washer – Shim | 2 |
| 85 | 83-0140 | Foot Pedal | 1 | 90 | 69-9760 | Plate – Cover | 1 |
| 86 | 321-23 | Screw – Cap, Hex Hd. | 1 | 91 | 83-2590 | Bolt – Shoulder | 1 |



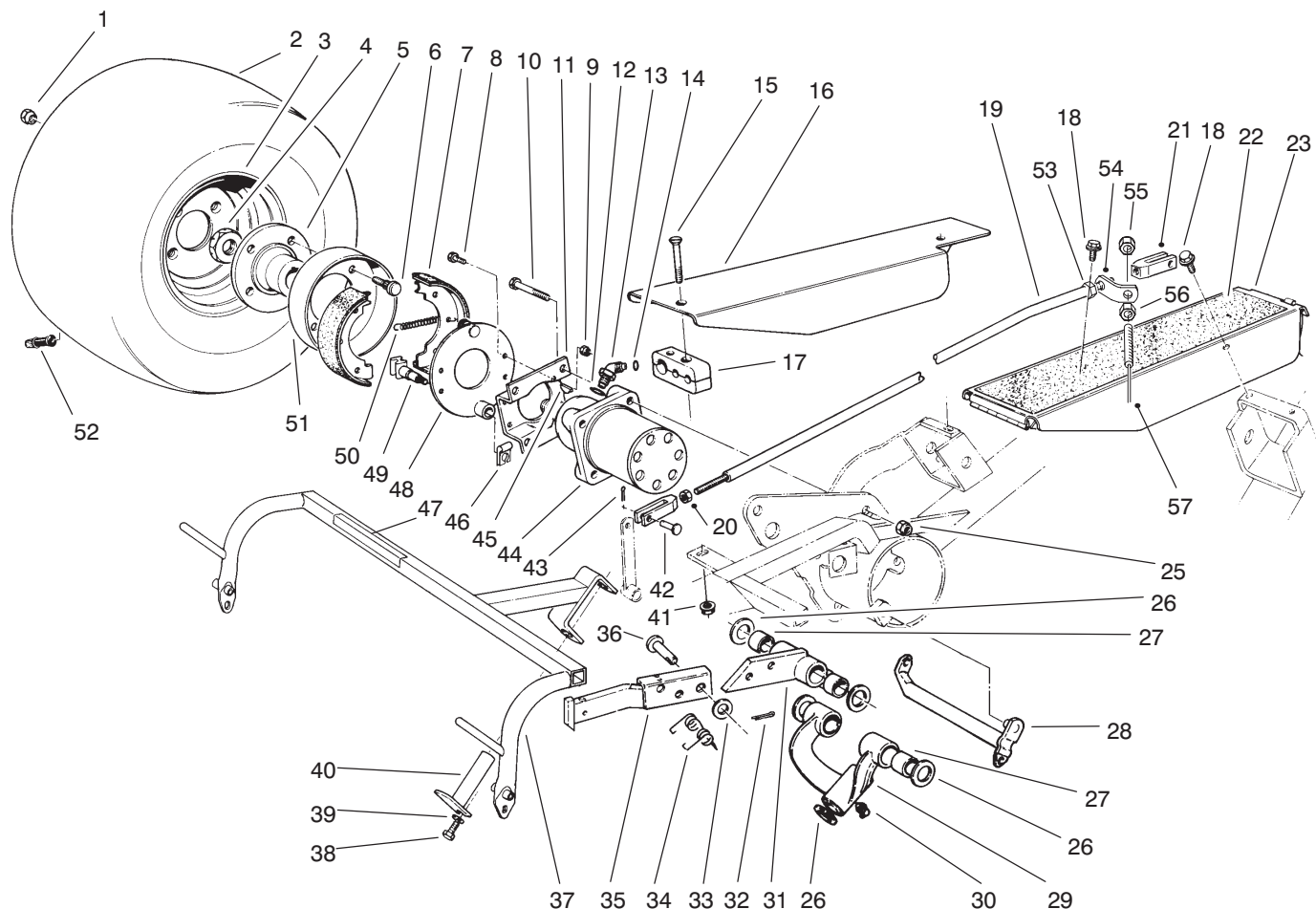
T-1373

FRONT HYDRAULIC CYLINDER NO. 84-8290

| Ref. No. | Part No. | Description | No. Used |
|----------|----------|-------------------|----------|
| 1 | 302-2 | Fitting - Grease | 2 |
| 2 | | Barrel Assembly | 1 |
| 3 | 32152-10 | Nut-Lock | 1 |
| 4 | 52-1990 | Piston | 1 |
| 5 | | Uniring - Grooved | 1 |
| 6 | | O-Ring | 1 |
| 7 | 76-1860 | Shaft with Clevis | 1 |
| 8 | | O-Ring | 1 |
| 9 | | Washer - Backup | 1 |

| Ref. No. | Part No. | Description | No. Used |
|----------|----------|---|----------|
| 10 | 65-4860 | Head | 1 |
| 11 | 32120-8 | Ring - Retaining Internal | 1 |
| 12 | | Dust Seal | 1 |
| 13 | | Seal | 1 |
| 14 | 76-1850 | Clevis | 1 |
| 15 | 3220-6 | Nut - Jam | 1 |
| * | 86-5390 | Seal Repair Kit (Incl. Ref.#5, 6, 8, 9 & 12-13) | 1 |

*Not Illustrated



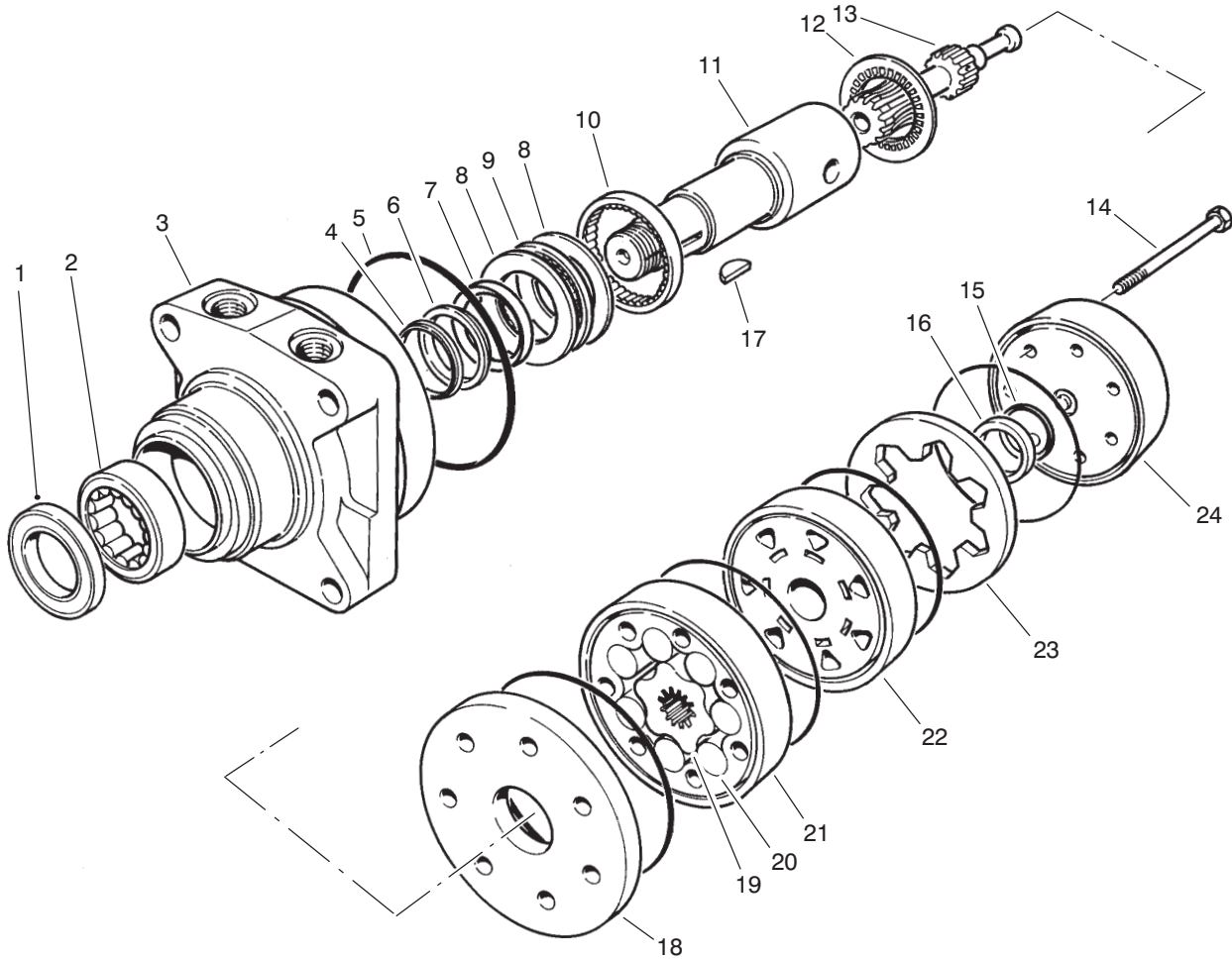
T-0293B

WHEEL AND BRAKE ASSEMBLY

| Ref. No. | Part No. | Description | No. Used | Ref. No. | Part No. | Description | No. Used |
|----------|-----------|--|----------|----------|----------|--|----------|
| 1 | 242-50 | Nut - Wheel | 8 | 30 | 302-60 | Fitting - Grease | 1 |
| 2 | 28-3680 | Tire | 2 | 31 | 62-2440 | Arm - Lift, R.H. | 2 |
| * | 231-124 | Tire - Treaded | 2 | 32 | 3272-11 | Pin - Cotter | 2 |
| * | 62-2580 | Spacer | 2 | 33 | 3256-26 | Washer - Flat | 3 |
| 3 | 217-60 | Rim | 2 | 34 | 57-7650 | Spring - Torsion | 2 |
| 4 | 26-3790 | Nut - Lock | 2 | 35 | 94-5588 | Bar - Arm Lift, R.H. | 1 |
| 5 | 10-6870 | Hub - Wheel | 2 | 36 | 63-8750 | Pin - Pivot | 2 |
| 6 | 85-6540 | Stud - Drive Type | 8 | 37 | 92-9177 | Frame - Pull, R.H. | 1 |
| 7 | 70-9840 | Shoe & Lining Assembly | 4 | 38 | 322-1 | Screw - Cap, Hex. Hd. | 1 |
| 8 | 321-5 | Screw - Cap, Hex. Hd. | 8 | 39 | 3256-23 | Washer - Plain | 1 |
| 9 | 3296-42 | Nut - Lock | 8 | 40 | 10-6090 | Pin - Pivot | 1 |
| 10 | 325-11 | Screw - Cap, Hex. Hd. | 8 | 41 | 3296-16 | Nut - Lock, Flange | 3 |
| 11 | 84-2000 | Bracket - Brake | 2 | 42 | 283-62 | Pin - Clevis | 2 |
| 12 | 237-80 | O-Ring | 4 | 43 | 3272-10 | Pin - Cotter | 2 |
| 13 | 340-14 | Fitting (Incl. Ref. #12 & 14) | 4 | 44 | 75-9990 | Motor - Hydraulic | 2 |
| 14 | 237-65 | O-Ring | 4 | 45 | 3257-42 | Key - Woodruff | 2 |
| 15 | 32108-100 | Screw - Mach. Phillips Hd. | 3 | 46 | 70-9850 | Clip - Retainer | 2 |
| 16 | 49-5450 | Plate - Cover | 1 | 47 | 62-5070 | Decal - Danger | 1 |
| 17 | 57-6140 | Clamp - Tube Side | 4 | 48 | 70-9870 | Plate - Backing, Brake | 2 |
| 18 | 3234-4 | Screw - Cap, Hex. Hd. | 4 | 49 | 70-9860 | Shaft - Cam | 2 |
| 19 | 49-5430 | Rod - Control | 1 | 50 | 70-9880 | Spring | 4 |
| 20 | 3220-2 | Nut | 1 | 51 | 10-6821 | Drum Assy. (Incl. Ref.#5-6) | 1 |
| 21 | 282-2 | Yoke | 2 | 52 | 232-24 | Valve Stem w/Cap | 2 |
| 22 | 10-8220 | Pad - Tool Box | 1 | 53 | 3219-2 | Nut - Full | 1 |
| 23 | 49-5410 | Box - Tool | 1 | 54 | 93-9936 | Bracket - Return, Traction | 1 |
| 25 | 3296-23 | Nut - Lock | 8 | 55 | 3296-29 | Nut - Lock | 1 |
| 26 | 10-8110 | Washer - Thrust | 6 | 56 | 3217-6 | Nut - Full | 1 |
| 27 | 3-0348 | Bushing | 6 | 57 | 93-9937 | Asm. - Cable, Traction | 1 |
| 28 | 71-1510 | Arm - Brake R.H. | 1 | * | 71-1500 | Brake Assembly (Incl. Ref. #7, 46, & 48-50) | 2 |
| 29 | 10-7820 | Hinge - Pivot (Incl. Ref. #27 & 30) | 1 | *† | 232-37 | Inner Tube - Heavy Duty | 2 |

*Not Illustrated

†Service Replacement Part



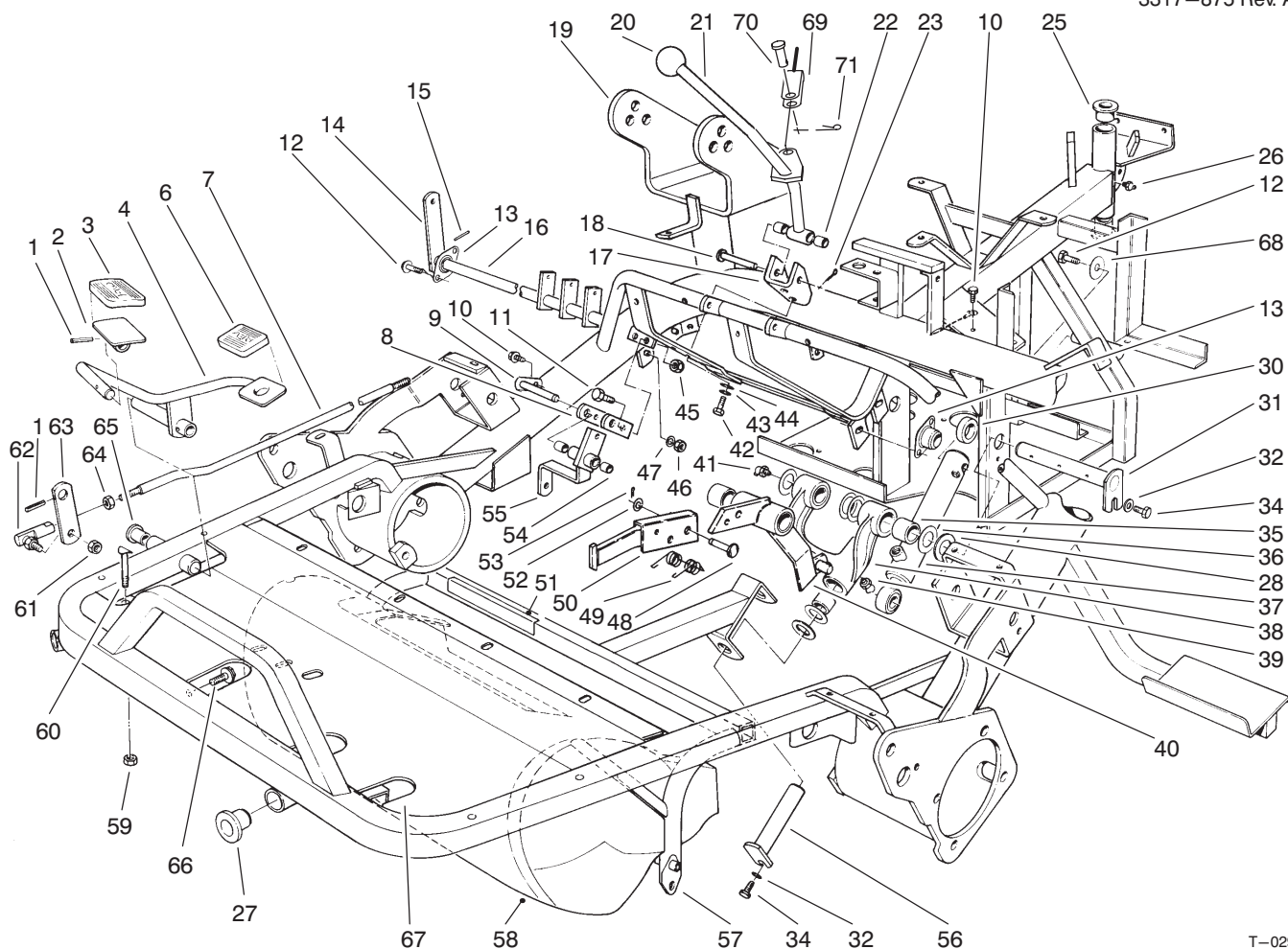
T-0987

HYDRAULIC DRIVE MOTOR NO. 75-9990

| Ref. No. | Part No. | Description | No. Used |
|----------|----------|-----------------------|----------|
| 1 | | Seal - Dirt & Water | 1 |
| 2 | | Bearing | 1 |
| 3 | | Housing | 1 |
| 4 | | Washer - Backup | 1 |
| 5 | | Seal Rings | 5 |
| 6 | | Washer - Backup | 1 |
| 7 | | Seal - Inner | 1 |
| 8 | | Washer - Thrust | 2 |
| 9 | | Bearing - Thrust | 1 |
| 10 | | Bearing | 1 |
| 11 | 76-0860 | Shaft - Coupling | 1 |
| 12 | 76-0850 | Bearing - Thrust | 1 |
| 13 | 76-0960 | Link - Drive | 7 |
| 14 | 76-1010 | Screw - Cap, Hex. Hd. | 1 |
| 15 | | Seal - Commutator | 1 |
| 16 | | Commutator | 1 |

| Ref. No. | Part No. | Description | No. Used |
|----------|----------|--|----------|
| 17 | 3257-42 | Key - Woodruff | 1 |
| 18 | 76-0870 | Plate - Wear | 1 |
| 19 | | Rotor | 1 |
| 20 | | Vane | 7 |
| 21 | | Stator | 1 |
| 22 | 76-0840 | Manifold | 1 |
| 23 | | Ring - Commutator | 1 |
| 24 | 76-0940 | End Cover Assembly | 1 |
| * | 76-0970 | Rotor Set (Incl. Ref. #19-21) | 1 |
| * | 76-0880 | Commutator Assembly (Incl. Ref. #15, 16 & 23) | 1 |
| * | 76-0800 | Seal Kit (Incl. Ref. #1, 4-7 & 15) | 1 |
| * | 76-0810 | Housing Assembly (Incl. Ref. #2, 3 & 8-10) | 1 |

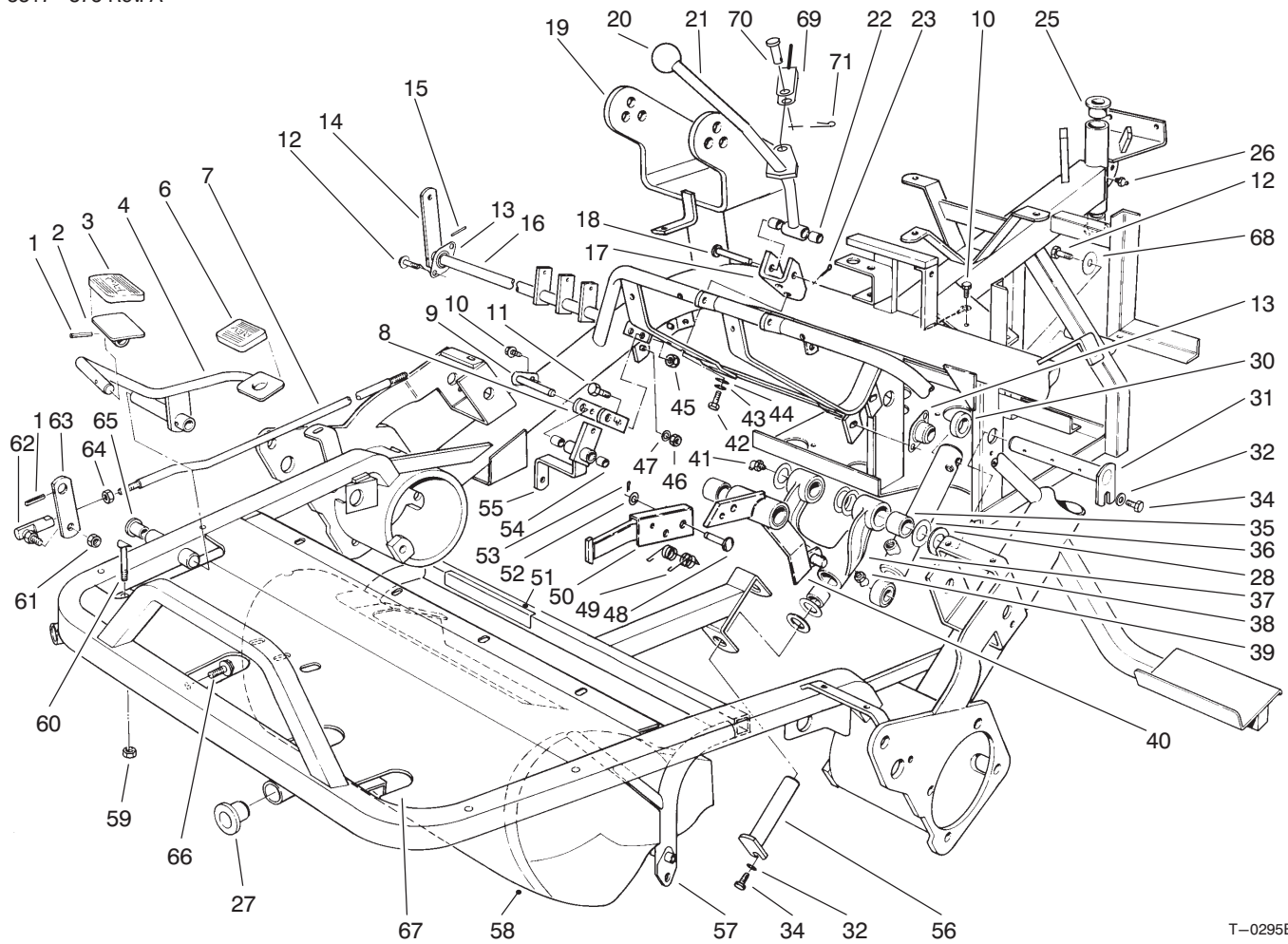
*Not Illustrated



T-0295B

FRAME ASSEMBLY

| Ref. No. | Part No. | Description | No. Used | Ref. No. | Part No. | Description | No. Used |
|----------|----------|---------------------------------------|----------|----------|----------|---------------------------------------|----------|
| 1 | 32121-45 | Pin-Roll | 2 | 27 | 83-1700 | Bushing - Flange | 3 |
| 2 | 49-6440 | Pedal - Accelerator | 1 | 28 | 5-1226 | Washer | A/R |
| 3 | 49-6470 | Pad - Pedal Forward | 1 | 30 | 27-2540 | Spacer - Hub | 1 |
| 4 | 83-0540 | Rod - Accelerator | 1 | 31 | 27-2550 | Pin - Hinge | 1 |
| 6 | 49-6430 | Pad - Pedal Reverse | 1 | 32 | 3256-23 | Washer - Flat | 2 |
| 7 | 49-6320 | Rod - Traction Control | 1 | 34 | 322-1 | Screw - Cap, Hex Hd. | 2 |
| 8 | 49-6250 | Bracket - Traction Pivot | 1 | 35 | 3-0348 | Bushing | 6 |
| 9 | 49-6290 | Shaft - Traction Pivot | 1 | 36 | 10-8110 | Washer-Thrust | 6 |
| 10 | 12-3270 | Screw - Pentafllo | 1 | 37 | 83-7000 | Hydraulic Cylinder Assy. | 1 |
| 11 | 322-5 | Screw - Cap, Hex Hd. | 2 | 38 | 10-7820 | Pivot Hinge (Incl. Ref. #35) | 1 |
| 12 | 3234-1 | Screw - Flange, Hex. Hd. | 4 | 39 | 302-60 | Fitting - Grease | 1 |
| 13 | 27-2320 | Side Flange - Bearing | 2 | 40 | 88-9670 | Lift Arm - Center (Incl. Ref. #35) | 1 |
| 14 | 47-5320 | Lever - Cutting Control | 1 | 41 | 302-11 | Fitting - Grease | 1 |
| 15 | 32121-6 | Pin - Roll | 1 | 42 | 3211-1 | Screw - Cap, Hex Hd. | 2 |
| 16 | 44-0870 | Camshaft - Rear | 1 | 43 | 3254-6 | Washer - Lock | 2 |
| 17 | 49-6220 | Bracket - Control Arm | 1 | 44 | 3256-24 | Washer - Flat | 2 |
| 18 | 283-57 | Pin - Clevis | 1 | 45 | 3296-29 | Nut - Lock | 2 |
| 19 | 92-1192 | Frame (Incl. Ref. #25 & 65) | 1 | 46 | 3296-59 | Nut - Lock | 4 |
| 20 | 233-48 | Knob | 1 | 47 | 3256-24 | Washer - Flat | 4 |
| 21 | 93-9934 | Handle - Traction (Incl. Ref. #22) | 1 | 48 | 63-8750 | Pin - Pivot | 1 |
| 22 | 256-251 | Bushing | 2 | 49 | 57-7650 | Spring - Torsion | 1 |
| 23 | 3272-4 | Pin - Cotter | 1 | 50 | 62-2420 | Bar - Lift Arm (Center) | 1 |
| 25 | 256-290 | Bushing | 2 | 51 | 62-5070 | Decal - Danger | 1 |
| 26 | 302-5 | Fitting - Grease | 1 | 52 | 3256-26 | Washer - Flat | 1 |

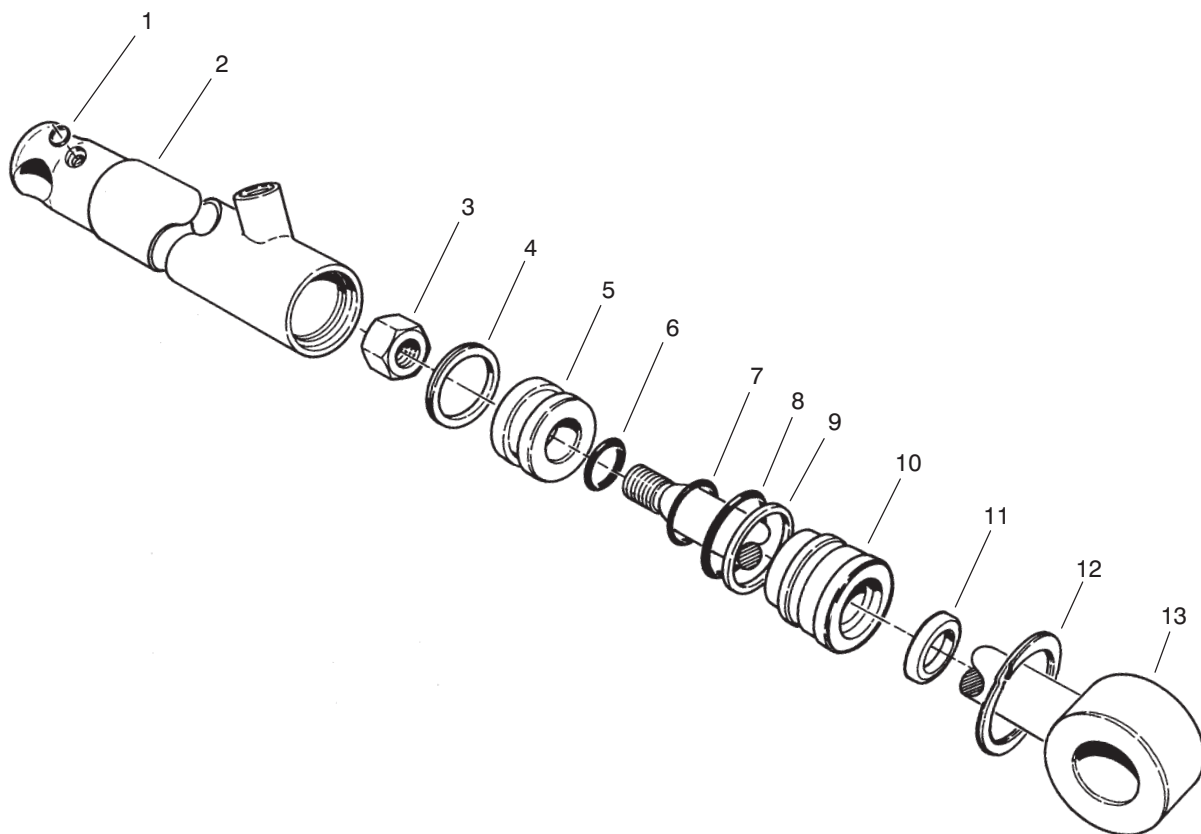


T-0295B

FRAME ASSEMBLY (Continued)

| Ref. No. | Part No. | Description | No. Used |
|----------|----------|---|----------|
| 53 | 3272-11 | Pin - Cotter | 1 |
| 54 | 256-2 | Bushing | 2 |
| 55 | 49-6260 | Tube - Traction Pivot (Incl. Ref. #54) | 1 |
| 56 | 10-6090 | Pin - Pivot | 1 |
| 57 | 86-9820 | Pull Frame - Rear | 1 |
| 58 | 36-7250 | Grass Basket | 3 |
| 59 | 32128-20 | Nut - Hex | 1 |
| 60 | 77-0480 | Screw - Accelerator Stop | 1 |
| 61 | 3296-4 | Nut - Lock | 2 |

| Ref. No. | Part No. | Description | No. Used |
|----------|----------|------------------------|----------|
| 62 | 2411-32 | Ball Joint | 2 |
| 63 | 92-1194 | Plate - Traction | 1 |
| 64 | 3220-2 | Nut - Hex. Jam | 2 |
| 65 | 256-219 | Bushing | 2 |
| 66 | 32144-14 | Screw - Cap, Hex. Hd. | 1 |
| 67 | 88-6900 | Plate - Footrest | 1 |
| 68 | 10-7920 | Washer | 1 |
| 69 | 93-9937 | Asm. - Cable, Traction | 1 |
| 70 | 283-62 | Pin - Clevis | 1 |
| 71 | 3272-10 | Pin - Cotter | 1 |



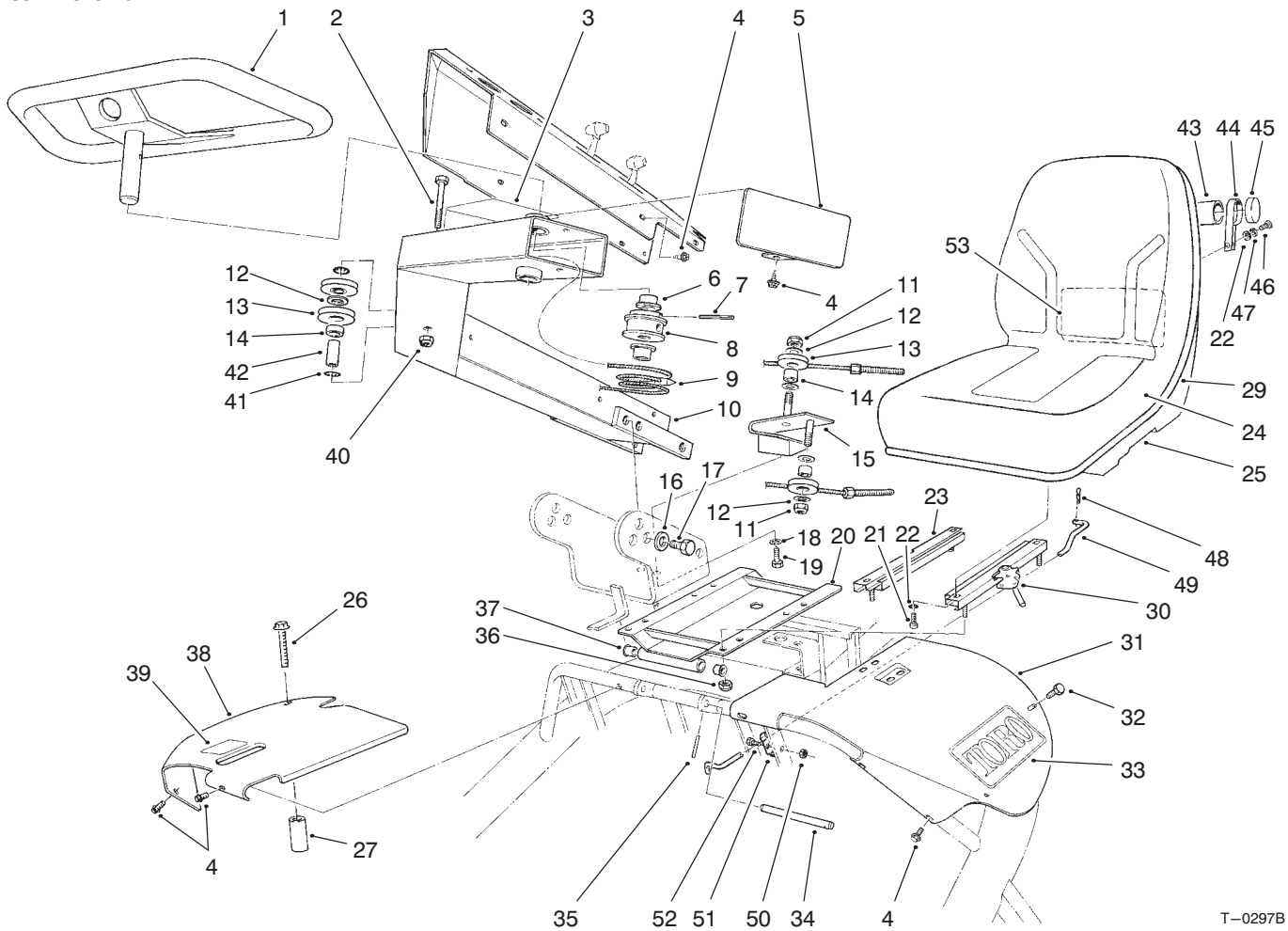
T-0217

REAR HYDRAULIC CYLINDER NO. 83-7000

| Ref. No. | Part No. | Description | No. Used |
|----------|----------|-------------------------|----------|
| 1 | 237-78 | O-Ring | 2 |
| 2 | 43-5260 | Barrel w/Clevis & Ports | 1 |
| 3 | 32152-10 | Nut | 1 |
| 4 | | Uniring - Grooved | 1 |
| 5 | 70-2780 | Piston | 1 |
| 6 | | O-Ring | 1 |
| 7 | | PDF Ultrathan | 1 |
| 8 | | O-Ring | 1 |

| Ref. No. | Part No. | Description | No. Used |
|----------|----------|--|----------|
| 9 | | Back-Up | 1 |
| 10 | 70-2770 | Head | 1 |
| 11 | | Seal - Dust | 1 |
| 12 | 43-5220 | Ring - Retaining | 1 |
| 13 | 43-5230 | Shaft with Clevis | 1 |
| * | 86-5360 | Seal Repair Kit (Incl. Ref. #4, 6-9 & 11) | 1 |

*Not Illustrated



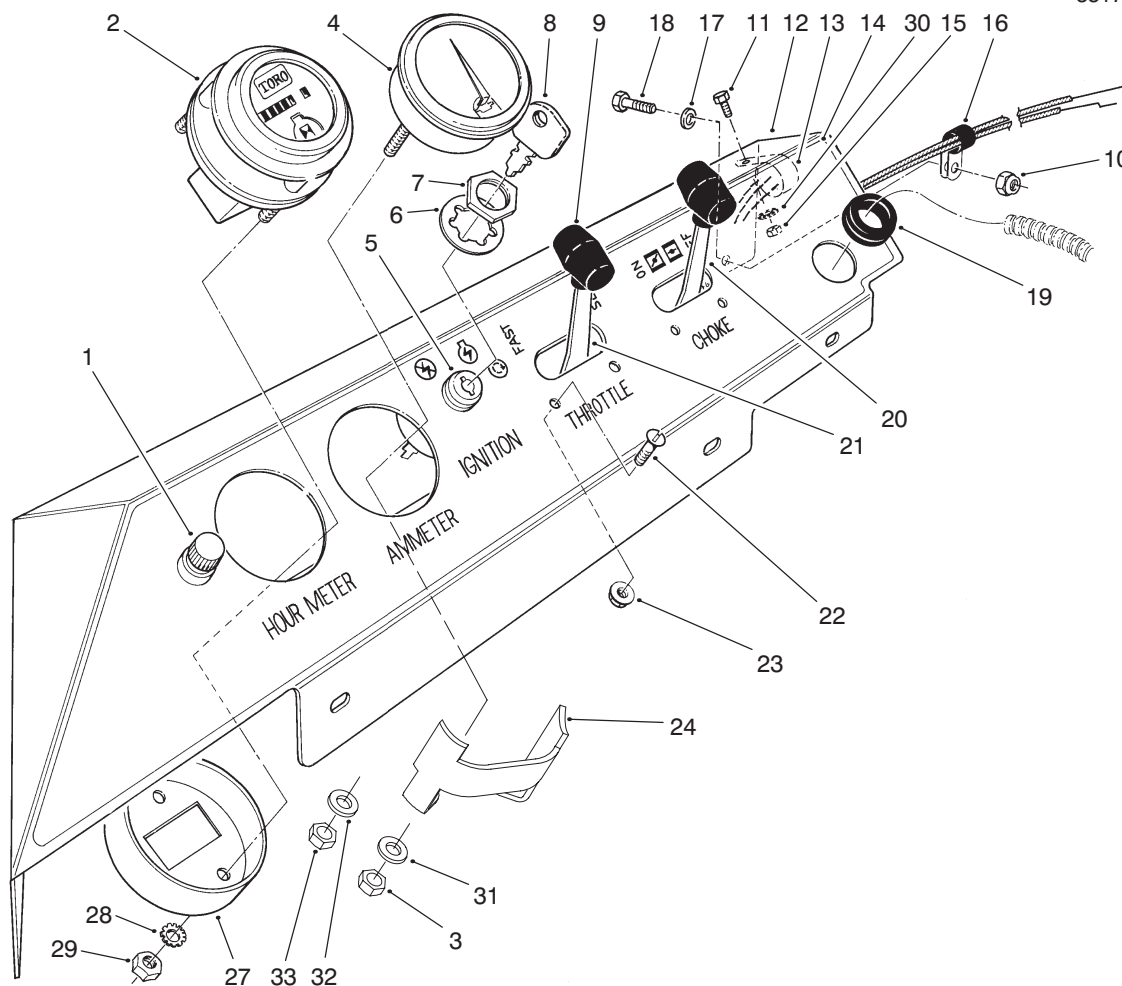
T-0297B

STEERING AND SEAT ASSEMBLY

| Ref. No. | Part No. | Description | No. Used |
|----------|----------|-------------------------------------|----------|
| 1 | 49-5900 | Steering Wheel Assembly | 1 |
| 2 | 321-18 | Screw- Cap, Hex Hd. | 1 |
| 3 | 75-9380 | Decal - Caution | 1 |
| 4 | 32104-76 | Screw - Tapping, Acorn Hd. | 15 |
| 5 | 10-7370 | Tube Cap | 1 |
| 6 | 256-113 | Bushing | 2 |
| 7 | 32121-34 | Pin - Roll | 1 |
| 8 | 62-2160 | Pulley - Front Steering | 1 |
| 9 | 62-2180 | Steering Cable | 1 |
| 10 | 49-5910 | Arm Steering | 1 |
| 11 | 3296-39 | Nut - Lock | 2 |
| 12 | 3256-4 | Washer - Flat | 4 |
| 13 | 5-2653 | Pulley Assembly (Incl. Ref. #14) | 4 |
| 14 | 256-2 | Bushing | 4 |
| 15 | 49-5970 | Bracket - Pulley | 1 |
| 16 | 3256-26 | Washer - Flat | 4 |
| 17 | 325-3 | Screw- Cap, Hex Hd. | 4 |
| 18 | 3253-21 | Washer - Lock | 2 |
| 19 | 323-6 | Screw- Cap, Hex Hd. | 2 |
| 20 | 49-5840 | Seat Support (Incl. Ref. #37) | 1 |
| 21 | 3274-12 | Screw - Hex Socket Hd. | 4 |
| 22 | 3256-23 | Washer - Flat | 6 |
| 23 | 51-0780 | Seat Slider | 1 |
| 24 | 92-6533 | Kit - Cushion | 1 |
| 25 | 92-6534 | Shell | 1 |
| 26 | 94-2691 | Screw - HWH | 1 |

| Ref. No. | Part No. | Description | No. Used |
|----------|----------|--|----------|
| 27 | 76-2660 | Tube - Spacer | 1 |
| 29 | 351-78 | Edging | 2 |
| * | 92-1180 | Seat Assembly (Incl. Ref. 24-25 & 29) | 1 |
| 30 | 51-0790 | Seat Adjuster | 1 |
| 31 | 49-5460 | Shield - Valve Cover L.H. | 1 |
| 32 | 12-3270 | Screw - Thread Forming | 1 |
| 33 | 62-5550 | Decal - Toro | 2 |
| 34 | 49-5880 | Shaft - Seat Support | 1 |
| 35 | 32121-45 | Pin-Roll | 1 |
| 36 | 3296-29 | Nut - Lock | 4 |
| 37 | 256-155 | Bushing | 2 |
| 38 | 49-5470 | Shield - Valve Cover R.H. | 1 |
| 39 | 51-0010 | Decal - Traction | 1 |
| 40 | 3296-16 | Nut - Lock | 1 |
| 41 | 3290-314 | Tinnerman Push-On | 2 |
| 42 | 10-7240 | Sleeve - Steering Pulley | 1 |
| 43 | 65-5871 | Tube | 1 |
| 44 | 2412-102 | R-Clamp | 2 |
| 45 | 65-5890 | Cap | 2 |
| 46 | 322-3 | Screw - Cap, Hex. Hd. | 2 |
| 47 | 3253-4 | Washer - Lock | 2 |
| 48 | 3272-11 | Pin - Cotter | 1 |
| 49 | 68-5100 | Rod - Seat | 1 |
| 50 | 3296-16 | Nut - Lock | 1 |
| 51 | 68-5310 | Clip Seat | 1 |
| 52 | 321-3 | Screw - Cap, Hex. Hd. | 1 |
| 53 | 92-1195 | Decal - Service | 1 |

*Not Illustrated



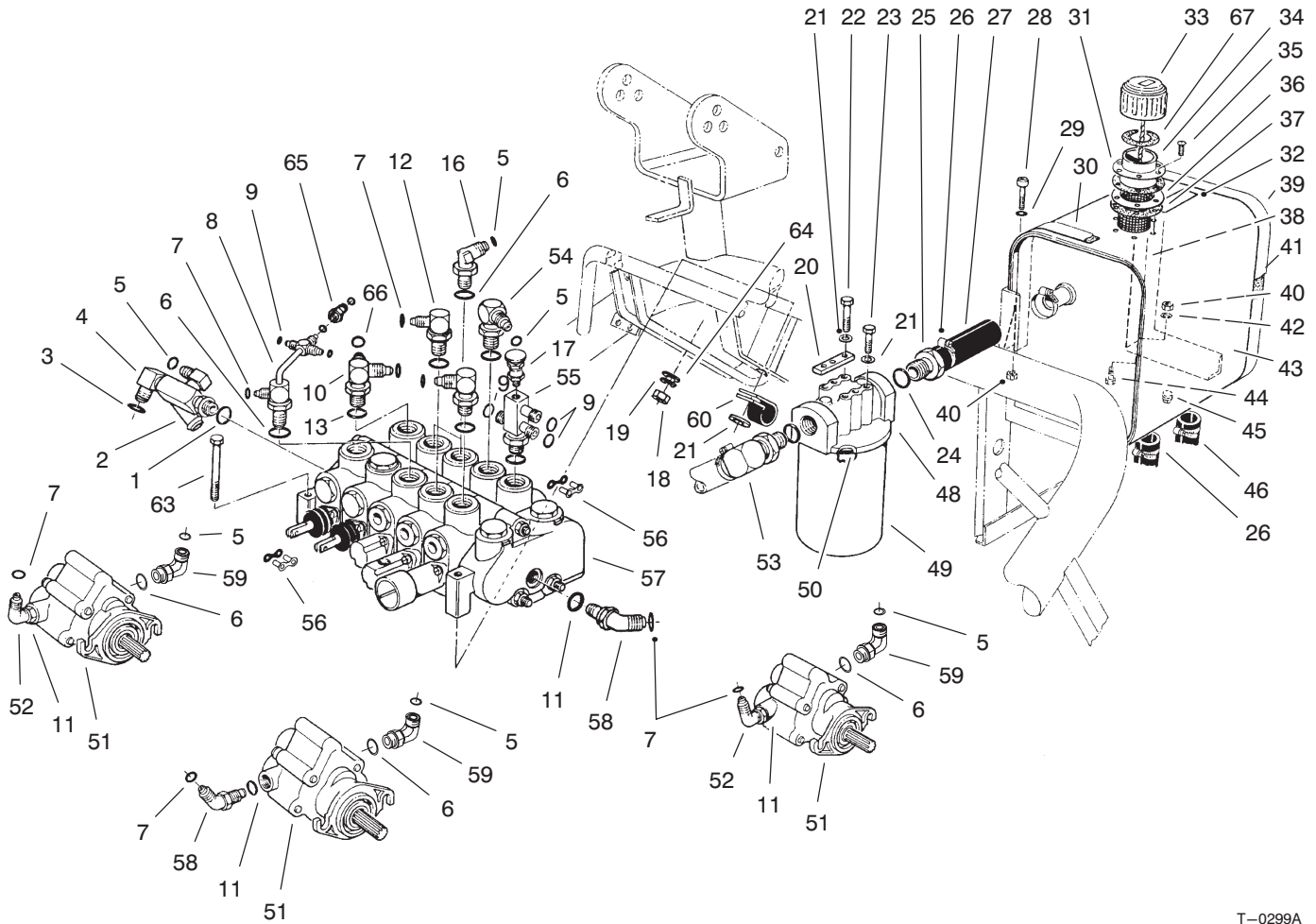
T-0298-1

INSTRUMENT PANEL ASSEMBLY

| Ref. No. | Part No. | Description | No. Used | Ref. No. | Part No. | Description | No. Used |
|----------|----------|---|----------|----------|----------|---------------------------------------|----------|
| 1 | 218-489 | Fuse Holder | 1 | 16 | 2412-41 | Clip | 1 |
| *† | | 30 Amp Fuse | 1 | 17 | 3253-23 | Washer - Flat | 1 |
| 2 | 66-2950 | Hour Meter Assembly (Incl. Ref. #27-29) | 1 | 18 | 322-4 | Screw - Cap, Hex. Hd. | 1 |
| 3 | 3217-27 | Nut | 2 | 19 | 237-100 | Grommet | 1 |
| 4 | 83-0820 | Ammeter Assembly (Incl. Ref. #3, 24 & 31-33) | 1 | 20 | 62-2130 | Control - Choke (Incl. Ref. #9) | 1 |
| 5 | 23-0660 | Key Switch (Incl. Ref. #6-7) | 1 | 21 | 68-9930 | Control - Throttle (Incl. Ref. #9) | 1 |
| 6 | 3254-5 | Washer - Lock | 1 | 22 | 32105-8 | Screw - Machine, Rd. Hd. | 4 |
| 7 | 218-461 | Nut - Hex | 1 | 23 | 32149-7 | Nut - Lock | 1 |
| 8 | 63-8360 | Key | 1 | 24 | 94-6960 | Clamp - Ammeter | 1 |
| 9 | 233-50 | Knob | 2 | 27 | | Clamp - Hour Meter | 1 |
| 10 | 32128-20 | Nut - Lock | 1 | 28 | 3255-20 | Washer - Lock ETLW | 2 |
| 11 | 321-3 | Screw - Cap, Hex. Hd. | 1 | 29 | 3217-25 | Nut | 2 |
| 12 | 68-9910 | Panel - Control | 1 | 30 | 3255-7 | Washer - Lock, Int. Tooth | 1 |
| 13 | 59-9810 | Module | 1 | 31 | 3254-10 | Washer - Lock, Ext. Tooth | 2 |
| 14 | 68-9940 | Decal - Control Panel | 1 | 32 | 3255-24 | Washer - Lock, Int. Tooth | 3 |
| 15 | 32149-2 | Nut - Lock, Keys | 1 | 33 | 3217-16 | Nut - Hex. | 3 |

*Not Illustrated

†Obtain Locally

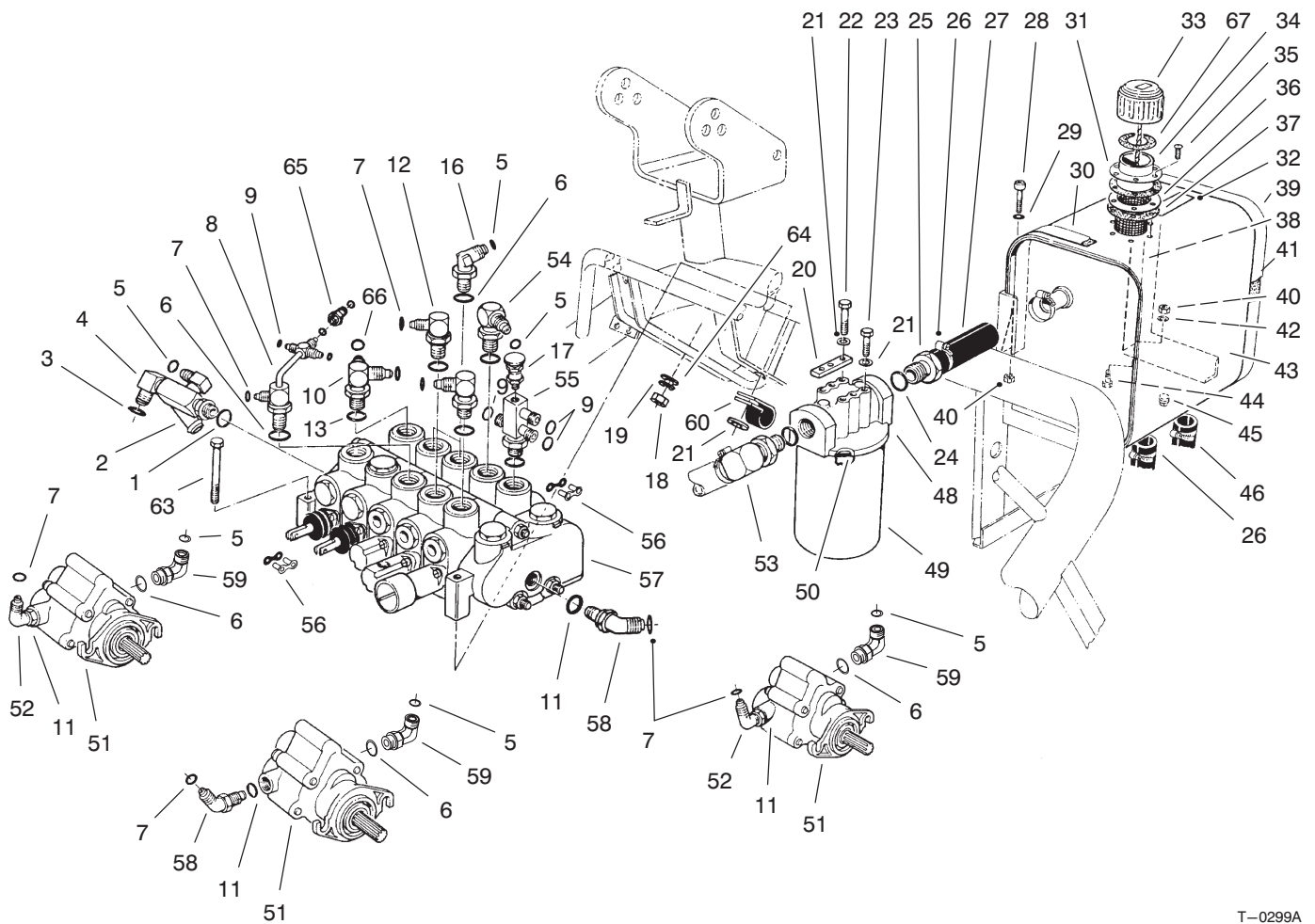


T-0299A

VALVE BANK AND HYDRAULIC RESERVOIR ASSEMBLY

| Ref. No. | Part No. | Description | No. Used |
|----------|----------|-------------------------|----------|
| 1 | 237-81 | O-Ring | 1 |
| 2 | 63-4080 | Manifold Drain Orifice | 1 |
| 3 | 237-58 | O-Ring | A/R |
| 4 | 340-16 | 90° Fitting | 1 |
| 5 | 237-30 | O-Ring | A/R |
| 6 | 237-79 | O-Ring | 8 |
| 7 | 237-22 | O-Ring | A/R |
| 8 | 63-4060 | Brazed Tube Assembly | 1 |
| 9 | 237-21 | O-Ring | 7 |
| 10 | 63-4050 | Fitting Traction Upper | 2 |
| 11 | 237-42 | O-Ring | A/R |
| 12 | 340-18 | 90° Elbow | 1 |
| 13 | 237-80 | O-Ring | 2 |
| 16 | 340-101 | 45° Fitting | 2 |
| 17 | 93-2554 | Bushing - Needle | 1 |
| 18 | 32128-20 | Nut - Hex | 3 |
| 19 | 3253-4 | Washer - Lock | 3 |
| 20 | 27-2380 | Spacer - Filler Mount | 1 |
| 21 | 3256-23 | Washer - Flat | 5 |
| 22 | 322-4 | Screw - Cap, Hex Hd. | 2 |
| 23 | 322-2 | Screw - Cap, Hex Hd. | 2 |
| 24 | 237-101 | O-Ring | 1 |
| 25 | 353-563 | Fitting - Straight | 1 |
| 26 | 2412-3 | Clamp - Hose | 8 |
| 27 | 27-2040 | Hose | 1 |
| 28 | 3274-54 | Screw - Set, Socket Hd. | 2 |

| Ref. No. | Part No. | Description | No. Used |
|----------|----------|--|----------|
| 29 | 3256-22 | Washer - Flat | 2 |
| 30 | 27-7980 | Front Reservoir Strap Assy. (Incl. Ref. #41) | 1 |
| 31 | 353-961 | Flange Adaptor | 1 |
| 32 | 58-6530 | Decal - Oil | 1 |
| 33 | 62-2570 | Breather Cap (Incl. Ref. #31, 34 & 36-37) | 1 |
| 34 | 353-962 | Cap and Chain Assembly | 1 |
| 35 | 32144-34 | Screw | 6 |
| 36 | 62-2610 | Screen Assembly | 1 |
| 37 | 353-963 | Gasket | 2 |
| 38 | 27-2420 | Felt Strap - Angle | 2 |
| 39 | 27-2400 | Reservoir Strap Assembly (Incl. Ref. #41) | 1 |
| 40 | 3296-16 | Nut-Hex | 4 |
| 41 | 27-2420 | Felt Strip | 2 |
| 42 | 3253-3 | Washer - Lock | 2 |
| 43 | 55-8480 | Tank - Hydraulic | 1 |
| 44 | 321-3 | Screw - Cap, Hex Hd. | 2 |
| 45 | 281-1 | Plug - Oil | 1 |
| 46 | 27-3040 | Hose - Pump | 2 |
| 48 | 44-5560 | Filter Head - Hydraulic | 1 |
| 49 | 74-3570 | Filter Element (Incl. Ref. #50) | 1 |
| 50 | 72-3850 | Seal - Ring | 1 |



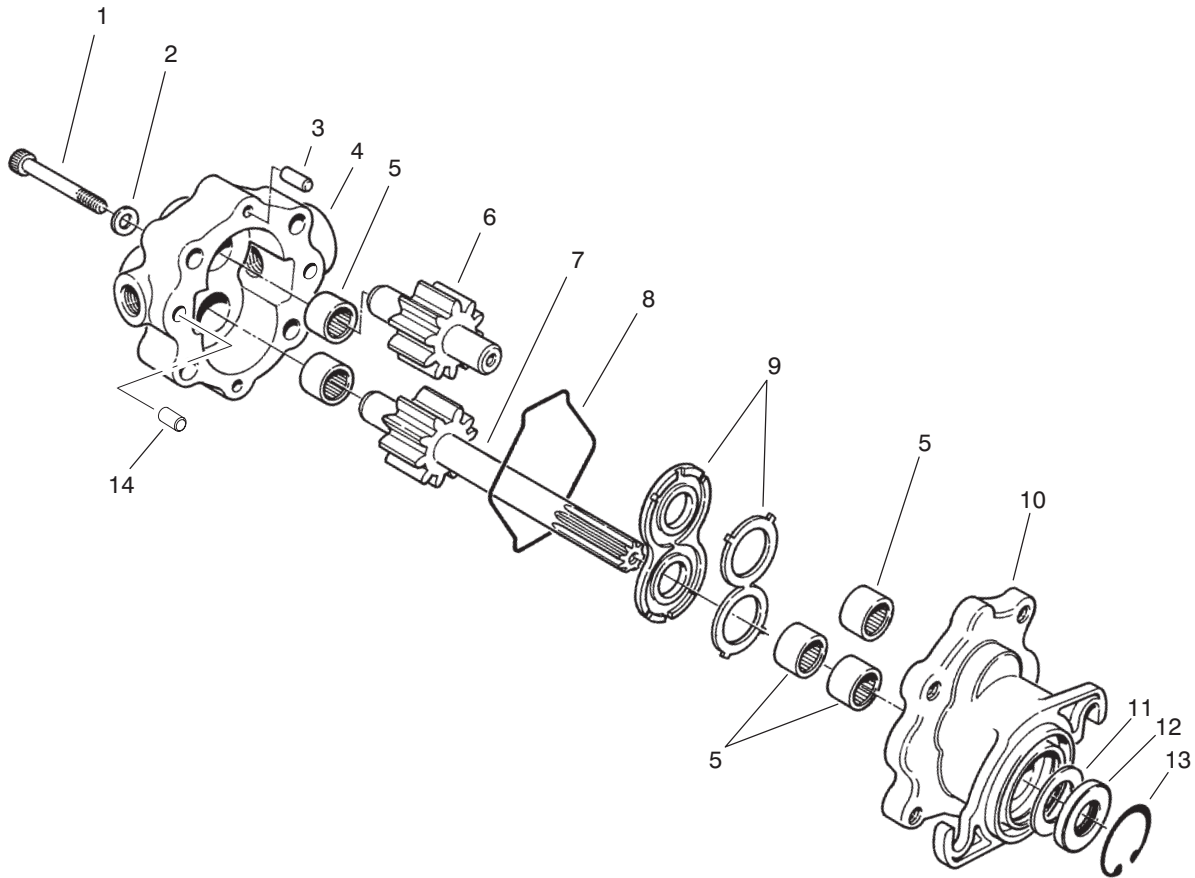
T-0299A

VALVE BANK AND HYDRAULIC RESERVOIR ASSEMBLY (Continued)

| Ref. No. | Part No. | Description | No. Used |
|----------|----------|---|----------|
| 51 | 94-3506 | Reel Motor | 3 |
| 52 | 340-77 | 90° Elbow | 3 |
| 53 | 353-564 | 90° Fitting | 1 |
| 54 | 63-4090 | 90° Fitting - Extended | 1 |
| 55 | 93-2555 | Fitting - Hydraulic Valve (Incl. Ref. #9 & 11) | 1 |
| 56 | 57-6220 | Link Connector | 5 |
| 57 | 84-2203 | Control Valve | 1 |
| 58 | 340-87 | 45° Fitting | 2 |
| 59 | 340-98 | 90° Elbow | 3 |

| Ref. No. | Part No. | Description | No. Used |
|----------|----------|---|----------|
| 60 | 304-61 | Clamp | 1 |
| 63 | 322-14 | Screw - Cap, Hex Hd. | 3 |
| 64 | 3254-2 | Washer - Lock, Int. Tooth | 1 |
| 65 | 71-0990 | Fitting - One Way Orifice | 1 |
| 66 | 237-65 | O-Ring | 4 |
| 67 | 76-1720 | Gasket - Filler Cap | 1 |
| * | 93-2556 | Needle Valve Assembly (Incl. Ref. #9, 11, 17 & 55) | 1 |
| * | 44-2500 | Hydraulic Oil Dye | 1 |

*Not Illustrated



T-1872

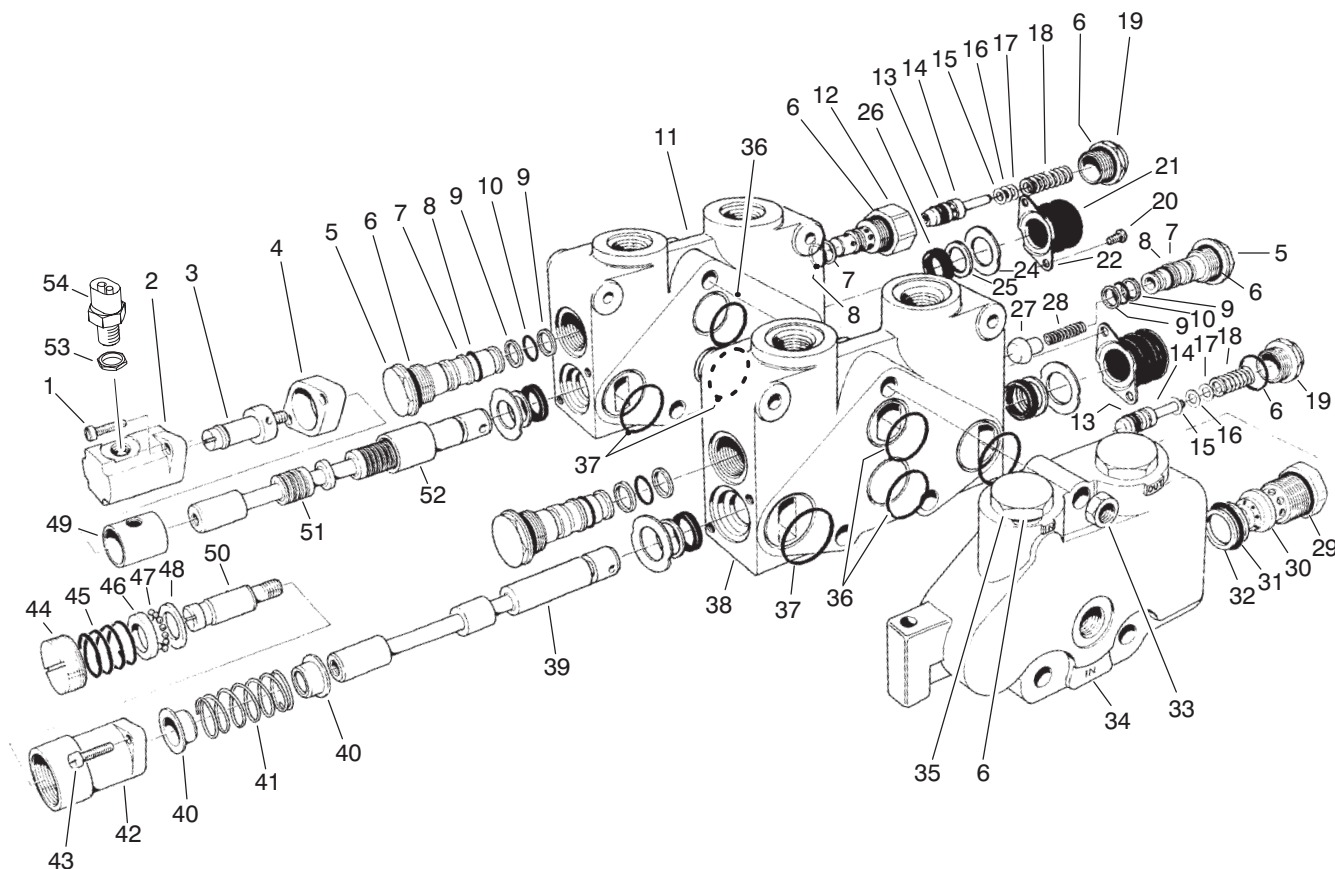
REEL MOTOR NO. 94-3506

| Ref. No. | Part No. | Description | No. Used |
|----------|----------|-----------------------------------|----------|
| 1 | 354-50 | Screw - Hex. Socket Hd. | 4 |
| 2 | 354-51 | Washer | 4 |
| 3 | 353-599 | Pin - Dowel | 2 |
| 4 | 94-3507 | Cover Assembly (Incl. Ref. #5) | 1 |
| †5 | | Bearing - Needle | 5 |
| 6 | 94-3509 | Idler Gear Assembly | 1 |
| 7 | 94-3508 | Drive Shaft Assembly | 1 |
| 8 | 354-46 | Ring - Seal | 1 |

| Ref. No. | Part No. | Description | No. Used |
|----------|----------|---------------------------------------|----------|
| 9 | 74-3810 | Load Plate Assembly | 1 |
| 10 | 92-8795 | Body Assembly (Incl. Ref. #5) | 1 |
| †11 | | Spacer | 1 |
| †12 | | Seal - Shaft | 1 |
| 13 | 32151-41 | Ring - Retaining | 1 |
| 14 | 92-8796 | Pin - Dowel | 2 |
| * | 92-8863 | Repair Kit (Incl. Ref. #8 & 11-13) | 1 |

*Not Illustrated

†Not Serviced Separately

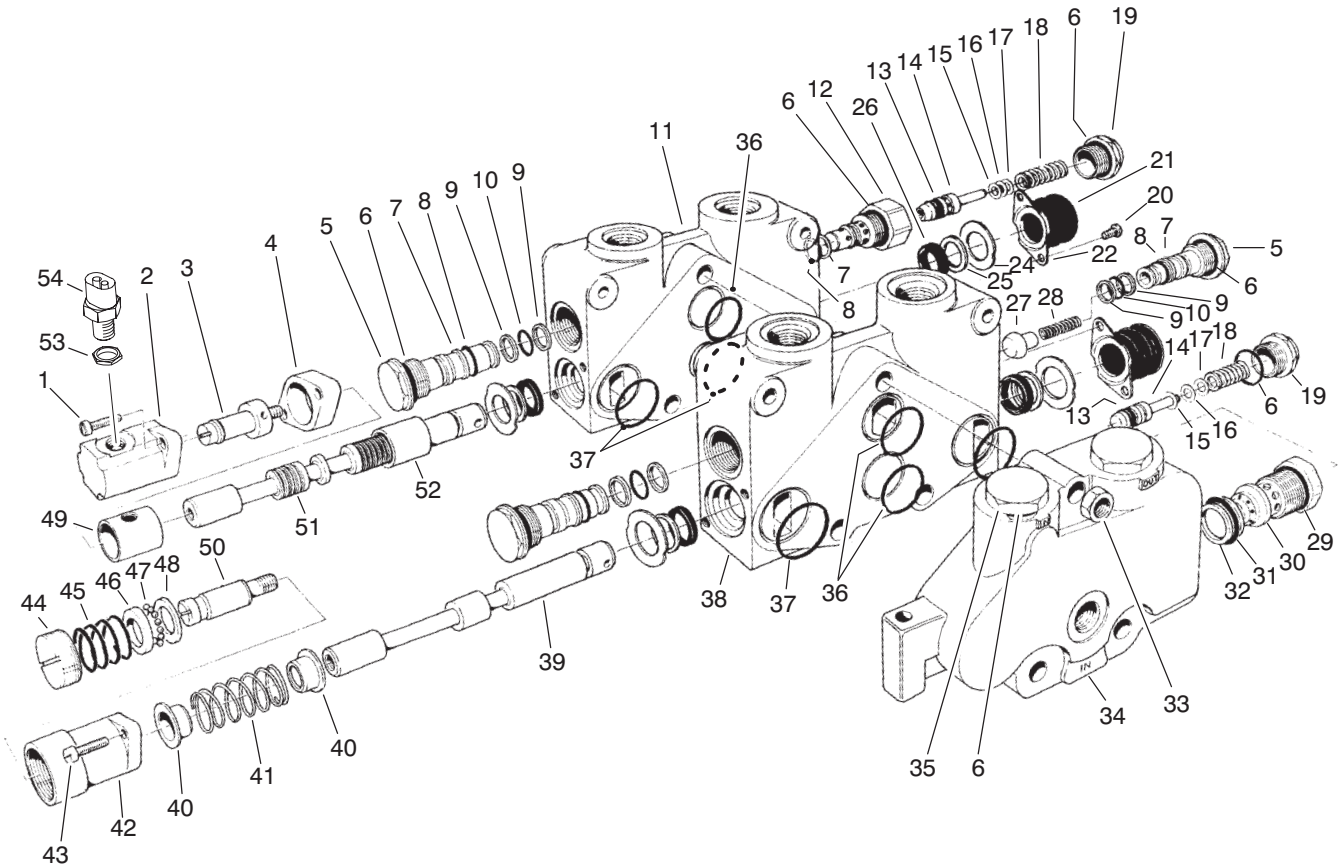


T-1318A

CONTROL VALVE ASSY. NO. 84-2203 (Sections 1 & 2)

| Ref. No. | Part No. | Description | No. Used | Ref. No. | Part No. | Description | No. Used |
|----------|----------|---|----------|----------|----------|---------------------------------------|----------|
| 1 | 3274-70 | Screw - Hex, Socket Hd. | 2 | 27 | 353-301 | Poppet | 1 |
| 2 | 353-727 | Bonnet | 1 | 28 | 353-304 | Spring | 1 |
| 3 | 353-729 | Spud - Detent | 1 | 29 | 353-331 | O-Ring | 1 |
| 4 | 353-733 | Spacer - Bonnet | 1 | 30 | 353-760 | Body Relief | 1 |
| 5 | 353-481 | Plug - Load Check (Incl. Ref. #6-10) | 3 | 31 | 353-758 | Seal - O-Ring | 1 |
| 6 | 237-54 | O-Ring | 8 | 32 | 353-952 | Ring - Backup | 1 |
| 7 | 353-306 | Ring - Backup | 4 | 33 | 3217-7 | Nut - Hex | 3 |
| 8 | 353-305 | O-Ring | 4 | 34 | 353-772 | Left End Cover | 1 |
| 9 | 353-303 | Ring - Backup | 6 | 35 | 353-721 | Plug (Incl. Ref. #6) | 2 |
| 10 | 353-302 | O-Ring | 3 | †36 | | O-Ring | 3 |
| 11 | | Housing V20T | 1 | †37 | | O-Ring | 4 |
| 12 | 353-851 | Body - Relief CP-RC Mod. | 1 | †38 | | Housing Section #1 | 1 |
| 13 | 353-392 | Seal - Relief Poppet PTFE | 2 | †39 | | Spool V20 SPL | 1 |
| 14 | 353-531 | Poppet Assy. (Incl. Ref. #13) | 2 | 40 | 353-417 | Collar Spring | 2 |
| 15 | 353-328 | Washer - Shim | A/R | 41 | 92-3048 | Spring - Centering | 1 |
| 16 | 353-329 | Washer - Shim | A/R | 42 | 353-754 | Bonnet - R. Detent | 1 |
| 17 | 353-330 | Washer - Shim | A/R | 43 | 3274-15 | Screw - Fillister Hd. | 2 |
| 18 | 353-855 | Spring | 2 | 44 | 353-763 | Cap - Adjustment | 1 |
| 19 | 353-334 | Cap - Relief | 2 | 45 | 353-579 | Spring | 1 |
| 20 | 3274-52 | Screw - Hex, Socket Hd. | 4 | 46 | 42-2680 | Race R. Detent | 1 |
| 21 | 353-575 | Boot - Dust Cap | 2 | 47 | 52-5880 | Ball - Steel | 12 |
| 22 | 93-3651 | Retainer - Boot | 2 | 48 | 354-29 | Plate - Thrust | 1 |
| 24 | 92-2547 | Plate - Seal Retainer | 4 | 49 | 353-728 | Sleeve | 1 |
| 25 | 92-2546 | Wiper - Seal | 4 | 50 | 353-762 | Spud - Detent Out (Incl. Ref. #44) | 1 |
| 26 | 353-957 | Seal - Lip | 4 | †51 | | Spool V20 3 Way F.F. | 1 |

†Parts Available as Assemblies Listed as (*Not Illustrated) on Following Page



T-1318A

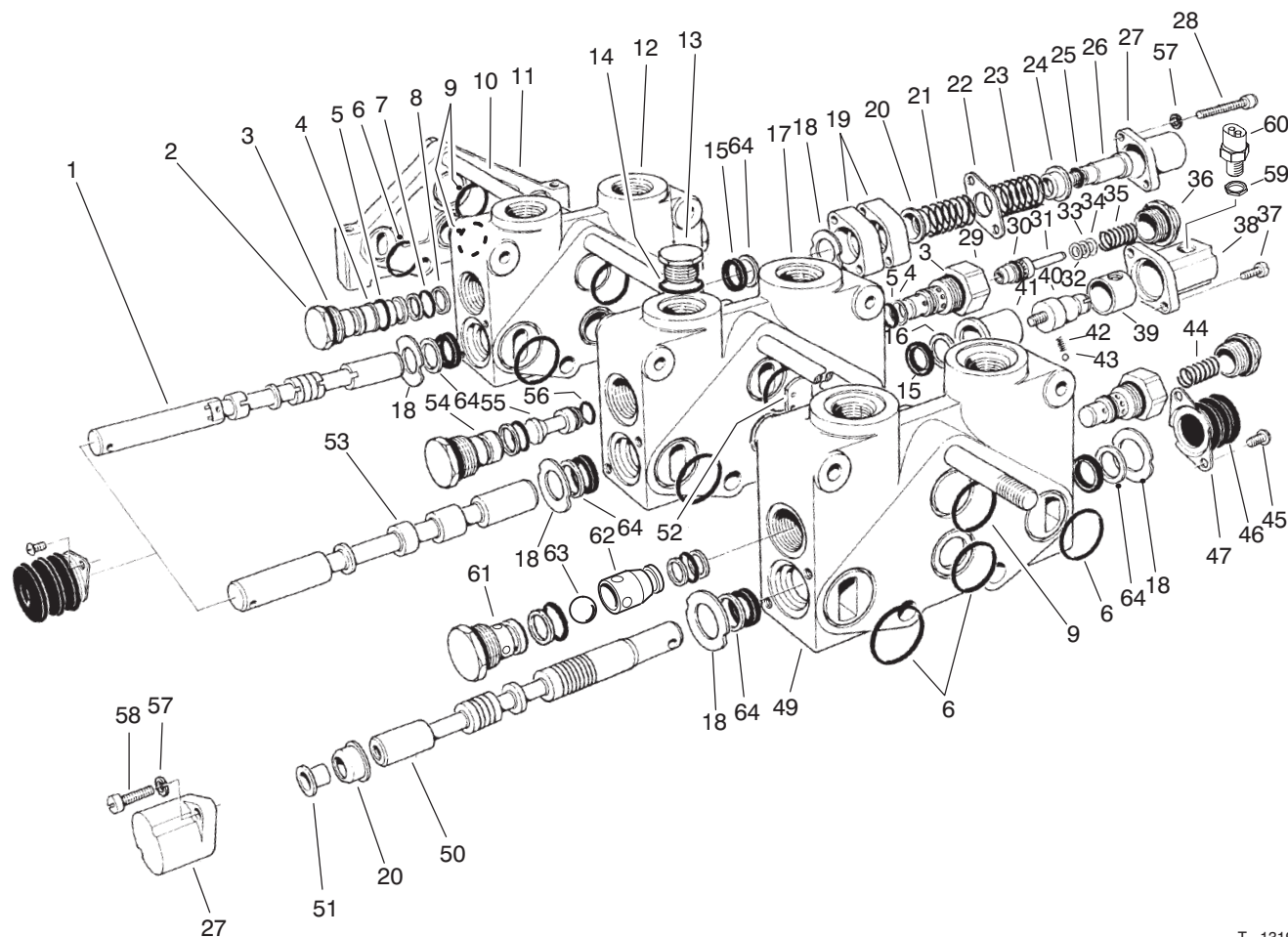
CONTROL VALVE ASSEMBLY NO. 84-2203 (Sections 1 And 2) (Continued)

| Ref. No. | Part No. | Description | No. Used |
|----------|----------|---|----------|
| 52 | 353-732 | Sleeve - Detent | 1 |
| 53 | 38-0410 | Nut - Hex. | 1 |
| 54 | 83-1890 | Switch - Ball | 1 |
| * | 353-766 | Relief WH (2000) PSI Assy. (Incl. Ref. #6, 13-19, & 29-32) | 1 |
| * | 353-768 | Section #1 Complete | 1 |
| * | 353-837 | Section #2 Complete | 1 |
| * | 353-780 | Positioner - R. Detent (Out) (Incl. Ref. #3 & 40-49) | 1 |
| * | 353-839 | Positioner - DI (SPL) Assy. (Incl. Ref. #1, 3-5, 50 & 52) | 1 |

| Ref. No. | Part No. | Description | No. Used |
|----------|----------|---|----------|
| * | 353-642 | Relief - RC Mod. (Incl. Ref. #6-8 & 12-19) | 2 |
| * | 92-2545 | Seals - Spool (Entire Valve Set) | 1 |
| * | 353-835 | Seals - Section Set (Incl. Ref. #36 & 37) | 1 |
| * | 92-2548 | Seal - Spool Single (Incl. Ref. #24-26) | 1 |
| * | 93-3652 | Boot - Spool Assembly (Incl. Ref. #20-22) | 2 |

*Not Illustrated

†Parts Available as Assemblies Listed as (*Not Illustrated) on This Page



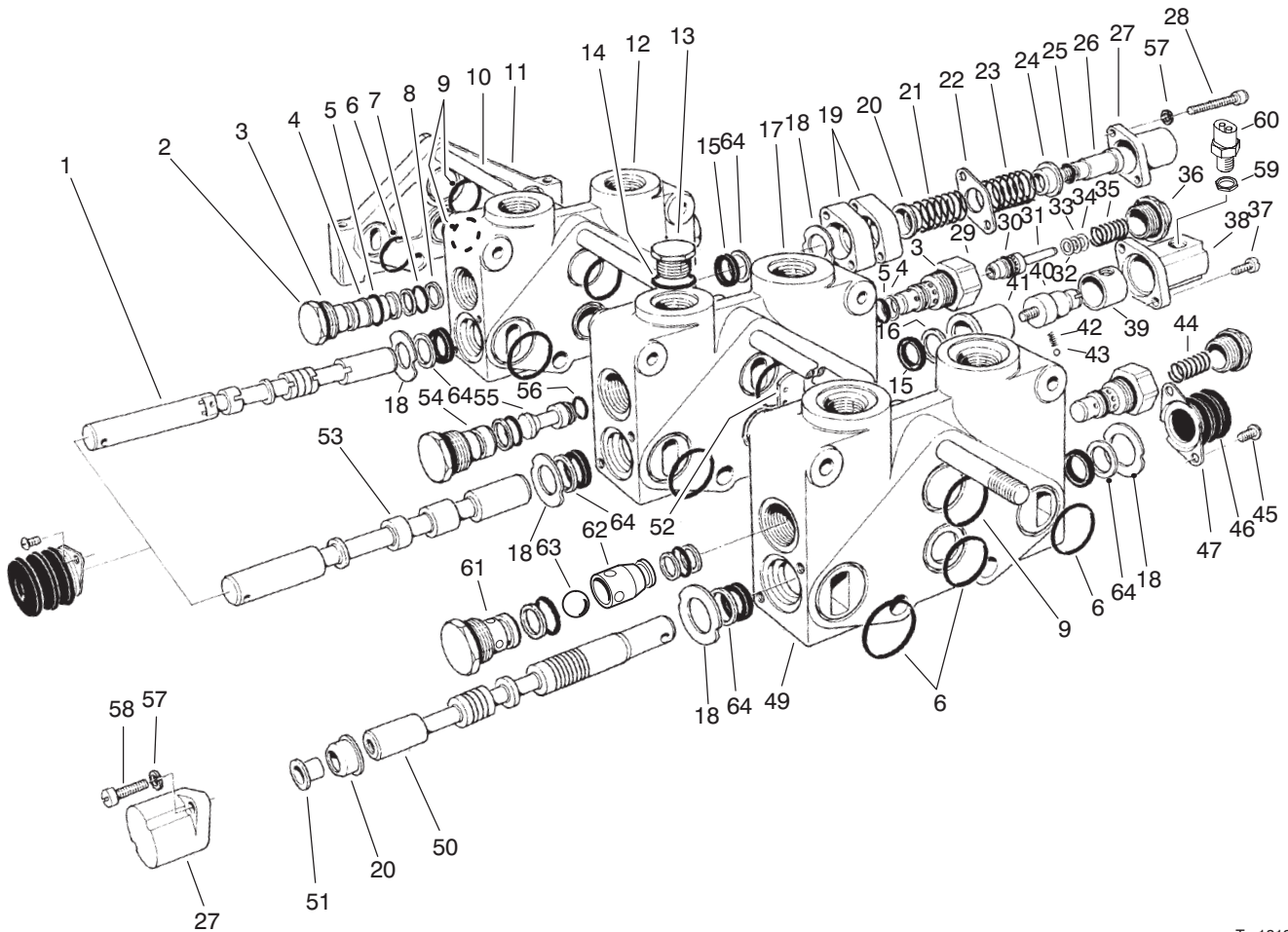
T-1319A

CONTROL VALVE ASSY. NO. 84-2203 (Sections 3 Thru 5)

| Ref. No. | Part No. | Description | No. Used |
|----------|----------|--|----------|
| 1 | 94-5434 | Spool #5 | 1 |
| 2 | 353-481 | Plug - Load Check (Incl. Ref. #3-5 & 7-8) | 2 |
| 3 | 237-54 | O-Ring | 6 |
| 4 | 353-306 | Ring - Backup | 5 |
| 5 | 353-305 | O-Ring | 5 |
| †6 | | O-Ring | 11 |
| 7 | 353-302 | O-Ring | 3 |
| 8 | 353-303 | Ring - Backup | 6 |
| †9 | | O-Ring | 5 |
| 10 | 353-853 | Bolt - Hex Hd. | 3 |
| 11 | 353-668 | Plate - Cap, Cover RH | 1 |
| 12 | | Housing V20 #5 | 1 |
| 13 | 353-550 | Plug Assembly (Incl. Ref. #14) | 1 |
| 14 | 353-848 | O-Ring | 1 |
| 15 | 353-957 | Seal - Lip | 6 |
| 16 | 353-958 | Ring - Backup | 1 |
| †17 | | Housing V20 #4 | 1 |
| 18 | 92-2547 | Plate - Seal Retainer | 6 |
| 19 | 353-733 | Spacer - Bonnet | 2 |
| 20 | 353-417 | Collar Spring | 2 |
| 21 | 353-831 | Spring | 1 |
| 22 | 353-529 | Plate Seal | 1 |
| 23 | 92-3148 | Spring | 1 |

| Ref. No. | Part No. | Description | No. Used |
|----------|----------|-------------------------------------|----------|
| 24 | 353-808 | Collar - Spring | 1 |
| 25 | 353-830 | O-Ring | 1 |
| 26 | 94-4248 | Collar Spool | 1 |
| 27 | 354-26 | Bonnet | 2 |
| 28 | 354-28 | Screw - Hex, Socket Hd. | 2 |
| 29 | 353-851 | Body - Relief CP-RC Mod. | 2 |
| 30 | 353-392 | Seal - Relief Poppet PTFE | 2 |
| 31 | 353-531 | Poppet Assembly (Incl. Ref. #30) | 2 |
| 32 | 353-328 | Washer - Shim | A/R |
| 33 | 353-329 | Washer - Shim | A/R |
| 34 | 353-330 | Washer - Shim | A/R |
| 35 | 353-398 | Spring | 1 |
| 36 | 353-334 | Cap - Relief | 2 |
| 37 | 52-5900 | Screw - Fillister Hd. | 4 |
| 38 | 353-847 | Bonnet (SPL) | 1 |
| 39 | 353-849 | Sleeve | 1 |
| 40 | 353-846 | Spud - DI (SPL) | 1 |
| 41 | 353-845 | Sleeve - Detent | 1 |
| 42 | 353-730 | Spring | 1 |
| 43 | 353-731 | Ball | 1 |
| 44 | 353-855 | Spring | 1 |
| 45 | 3274-52 | Screw - Hex. Socket Hd. | 6 |
| 46 | 353-575 | Boot - Dust Cap | 3 |
| 47 | 93-3651 | Retainer - Boot | 3 |

†Parts Available as Assemblies Listed as (*Not Illustrated) on Following Page



T-1319A

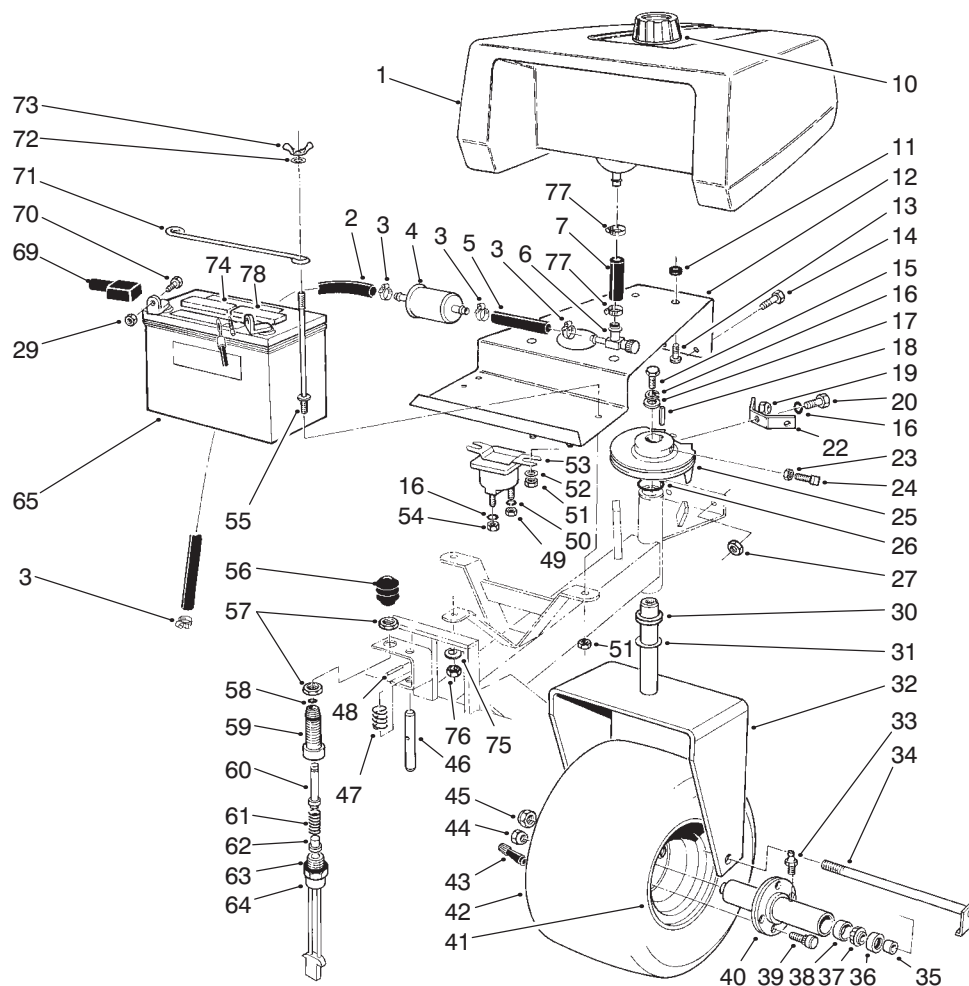
CONTROL VALVE ASSEMBLY NO. 84-2203 (Sections 3 Thru 5) (Continued)

| Ref. No. | Part No. | Description | No. Used |
|----------|----------|--|----------|
| 49 | | Housing V20 #2 | 1 |
| †50 | | Spool V20 3 Way F.F. | 1 |
| 51 | 52-5860 | Collar - Spool | 1 |
| 52 | 354-122 | Disc - Seal | 1 |
| †53 | | Spool #4 | 1 |
| 54 | 353-953 | Plug Assembly | 1 |
| 55 | 353-844 | Plug Series (Incl. Ref. #56) | 1 |
| 56 | 353-850 | O-Ring | 1 |
| 57 | 3253-3 | Washer - Lock | 4 |
| 58 | 3274-84 | Screw - Cap, Hex. Hd. | 4 |
| 59 | 38-0410 | Nut - Hex. | 1 |
| 60 | 83-1890 | Switch - Ball | 1 |
| 61 | 353-483 | Body - Anticavitation | 1 |
| 62 | 353-484 | Retainer - Ball | 1 |
| 63 | 353-737 | Ball | 1 |
| 64 | 92-2546 | Wiper - Seal | 5 |
| * | 354-129 | Anticavitation Check Assy. (Incl. Ref.#3-5, 7-8 & 61-63) | 1 |
| * | 353-835 | Seals - Section Set (Incl. Ref. #6 & 9) | 1 |
| * | 93-3652 | Boot - Spool Assembly (Incl. Ref. #45-47) | 3 |

| Ref. No. | Part No. | Description | No. Used |
|----------|----------|---|----------|
| * | 354-131 | Section #3 Assembly (Complete) | 1 |
| * | 354-25 | Section #4 Assembly (Complete) | 1 |
| * | 93-1386 | Section #5 Assembly (Complete) | 1 |
| * | 353-841 | Position - Spool Assembly (Incl. Ref. #20 27 37 & 51) | 1 |
| * | 353-840 | Position - DI (SP) Assy. (Incl. Ref. #37-43) | 1 |
| * | 353-642 | Relief - RC Mod. Assembly (Incl. Ref. #3-5 & 29-36) | 1 |
| * | 353-833 | Positioner Assembly (Incl. Ref. #19-28) | 1 |
| * | 84-2203 | Control Valve Assembly Complete | 1 |
| * | 92-2548 | Seal - Spool (Single End Set) (Incl. Ref. #15, 16 & 18) | 1 |
| * | 92-2549 | Seals - End Set #4 Only (Incl. Ref. #15-16 & 18) | 1 |
| * | 92-2545 | Seals - Spool (Entire Valve Set) | 1 |

*Not Illustrated

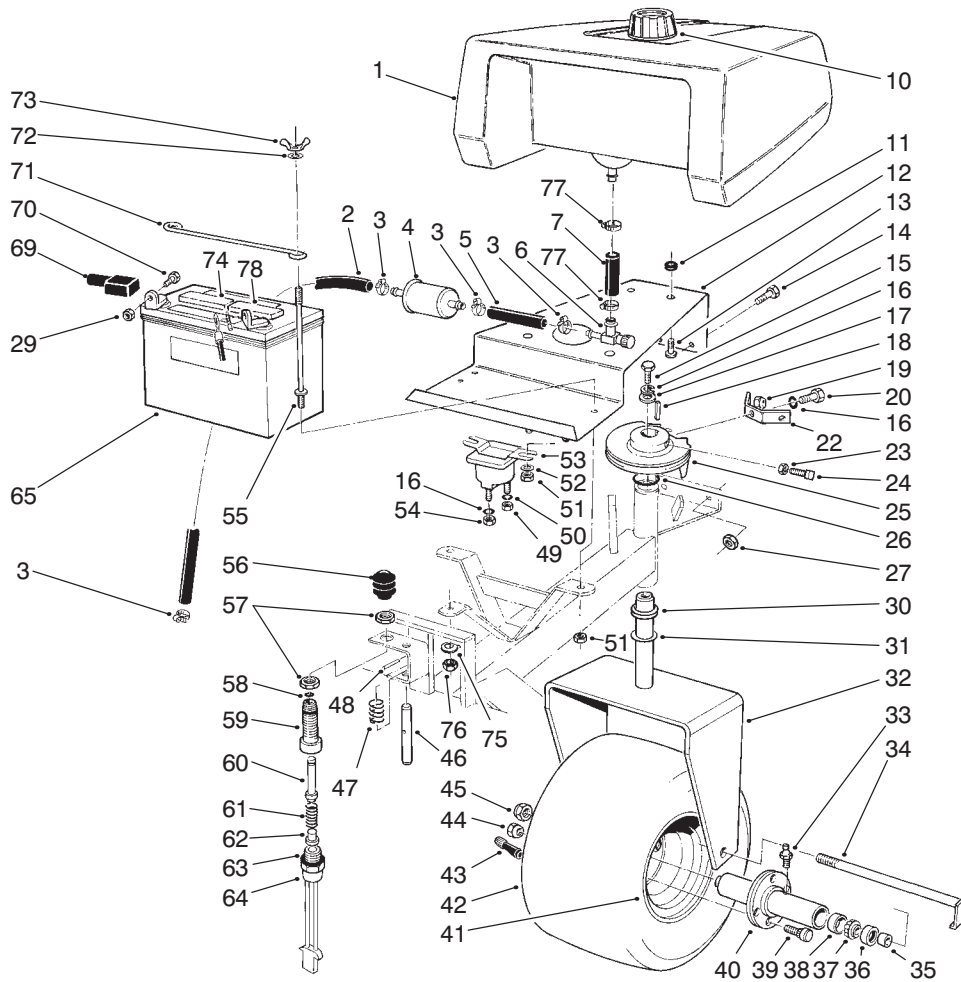
†Parts Available as Assemblies Listed as (*Not Illustrated) on This Page



T-0303

GAS TANK BATTERY AND CASTER WHEEL ASSEMBLY

| Ref. No. | Part No. | Description | No. Used | Ref. No. | Part No. | Description | No. Used |
|----------|----------|-------------------------|----------|----------|----------|-----------------------|----------|
| 1 | 74-3580 | Gas Tank | 1 | 31 | 62-2170 | Washer-Thrust | 1 |
| 2 | 62-2470 | Hose - Gas Line (Long) | 1 | 32 | 62-2220 | Caster Fork | 1 |
| 3 | 2412-108 | Clamp - Hose | 4 | 33 | 302-5 | Fitting - Grease | 1 |
| 4 | 18-1520 | Fuel Filter | 1 | 34 | 5-3934 | Bolt | 1 |
| 5 | 56-2240 | Hose - Gas Line (Short) | 1 | 35 | 74-3730 | Spacer | 2 |
| 6 | 56-2520 | Fitting - Fuel Shut-off | 1 | 36 | 253-111 | Seal | 2 |
| 7 | 56-2230 | Hose - Fuel Line | 1 | 37 | 254-78 | Cone | 2 |
| 10 | 55-3570 | Gas Cap | 1 | 38 | 254-79 | Cup | 2 |
| 11 | 237-136 | Grommet | 4 | 39 | 10-6830 | Drive Stud | 4 |
| 12 | 62-2210 | Tank Base | 1 | 40 | 75-9440 | Hub Assembly | 1 |
| 13 | 3250-36 | Screw - Phil. Hd. | 4 | 41 | 217-60 | Rim | 1 |
| 14 | 323-6 | Screw - Cap, Hex Hd. | 2 | 42 | 28-3680 | Tire | 1 |
| 15 | 322-3 | Screw - Cap, Hex Hd. | 1 | 43 | 232-24 | Valve Stem - With Cap | 1 |
| 16 | 3253-4 | Washer - Lock | 4 | 44 | 242-50 | Nut - Wheel | 4 |
| 17 | 62-2190 | Washer - Special | 1 | 45 | 3296-67 | Nut - Lock | 1 |
| 18 | 5-0698 | Key | 1 | 46 | 51-0350 | Pin - Seat Spring | 1 |
| 19 | 3296-4 | Nut - Lock | 2 | 47 | 3-6685 | Spring | 1 |
| 20 | 322-5 | Screw - Cap, Hex Hd. | 1 | 48 | 3284-3 | Pin Groove | 1 |
| 22 | 3-8516 | Anchor - Cable | 1 | 49 | 3219-14 | Nut-Hex | 2 |
| 23 | 3218-2 | Nut - Jam | 2 | 50 | 3254-1 | Washer - Lock | 2 |
| 24 | 3242-9 | Screw - Set, Sq. Hd. | 2 | 51 | 32149-2 | Nut - Lock | 2 |
| 25 | 61-9390 | Drum - Steering | 1 | 52 | 3256-22 | Washer - Flat | 2 |
| 26 | 237-149 | O-Ring - Seal | 1 | 53 | 28-4210 | Solenoid | 1 |
| 27 | 3296-39 | Nut - Lock | 2 | 54 | 3218-13 | Nut - Jam | 2 |
| 29 | 3217-5 | Nut - Hex | 2 | 55 | 10-8120 | Bolt - Battery | 2 |
| 30 | 237-148 | Seal - Quad Ring | 1 | 56 | 43-8870 | Boot - Switch | 1 |



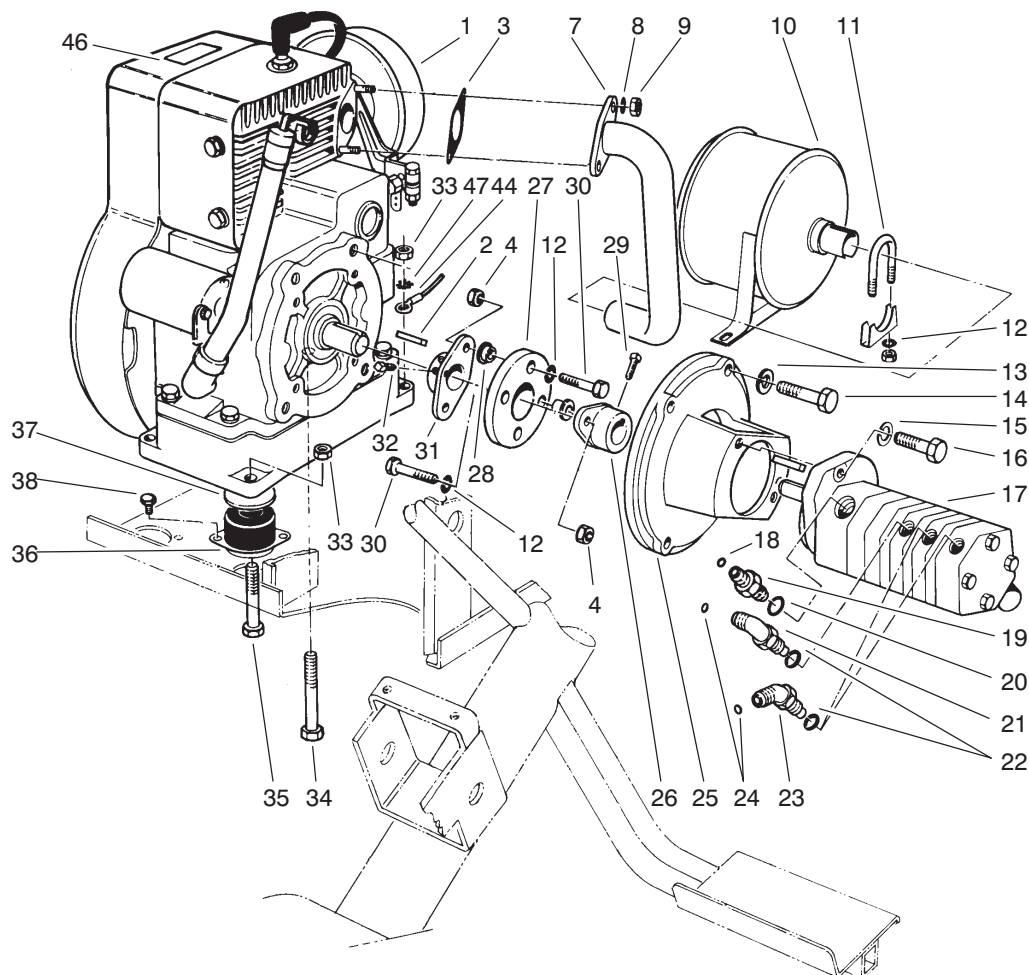
T-0303

GAS TANK BATTERY & CASTER WHEEL ASSEMBLY (Continued)

| Ref. No. | Part No. | Description | No. Used |
|----------|----------|----------------------------|----------|
| 57 | 218-461 | Nut - Jam | 2 |
| 58 | 237-7 | O-Ring | 1 |
| 59 | 43-8620 | Guide - Switch Pin | 1 |
| 60 | 43-8860 | Plunger - Switch | 1 |
| 61 | 43-8600 | Spring - Compression | 1 |
| 62 | 43-8610 | Guide - Spring & Ball Seat | 1 |
| 63 | 237-30 | O-Ring | 1 |
| 64 | 72-4320 | Switch - Neutral | 1 |
| 65 | 28-1400 | Battery | 1 |
| 69 | 28-8080 | Boot Terminal | 1 |
| 70 | 321-3 | Screw - Cap, Hex Hd. | 2 |

| Ref. No. | Part No. | Description | No. Used |
|----------|----------|--|----------|
| 71 | 72-4790 | Hold Down - Battery | 1 |
| 72 | 3256-22 | Washer - Flat | 2 |
| 73 | 32103-12 | Nut - Wing | 2 |
| 74 | 92-1707 | Cap - Battery (Poison) | 1 |
| 75 | 3256-23 | Washer - Flat | 1 |
| 76 | 3296-29 | Nut - Lock | 1 |
| 77 | 2412-36 | Clamp - Gas Line | 2 |
| 78 | 92-1699 | Cap - Battery (Flush) | 1 |
| * | 43-9071 | Switch Assembly (Incl. Ref. #56-64) | 1 |

*Not Illustrated

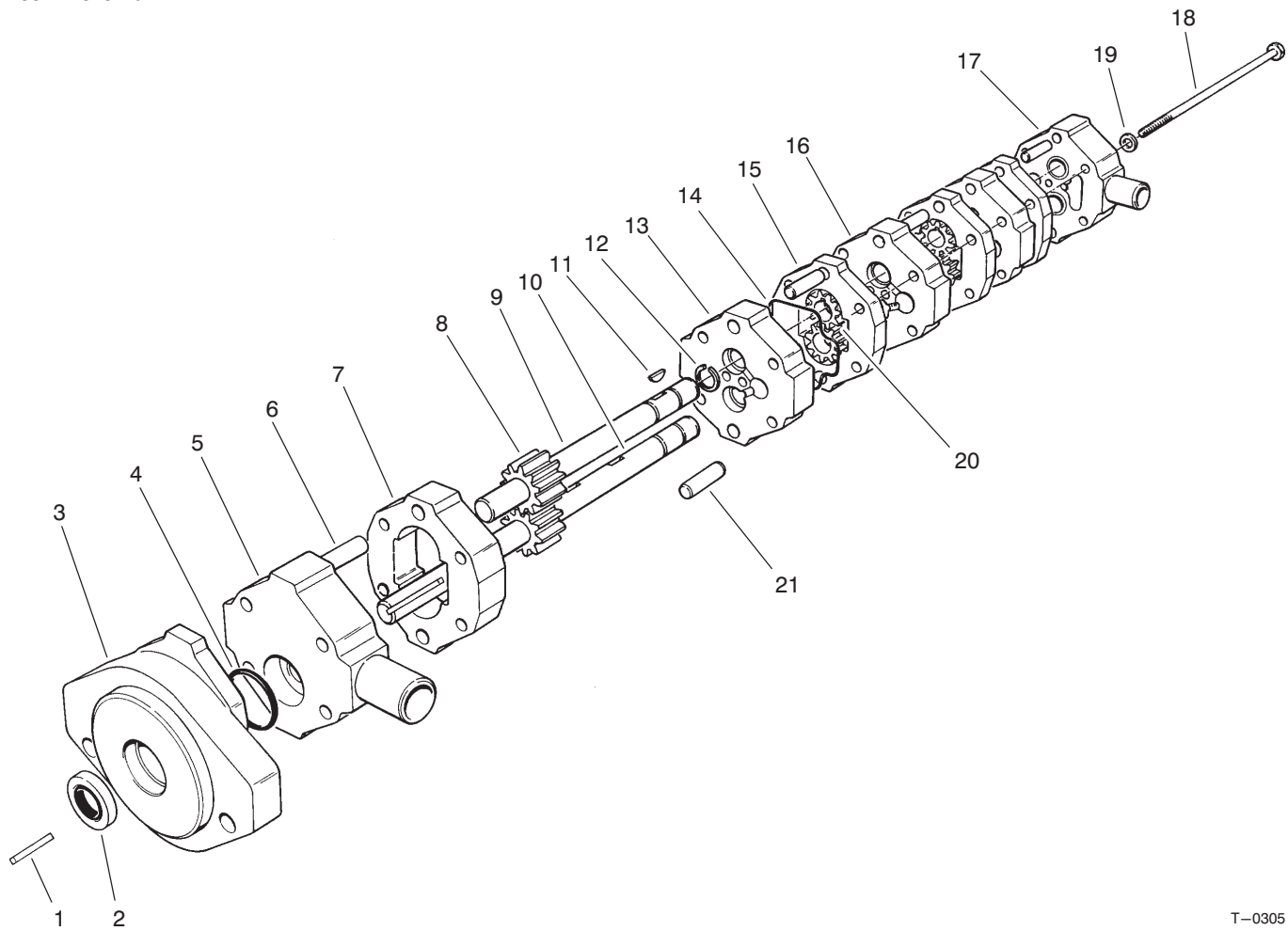


T-0304

ENGINE AND WIRING DIAGRAM

| Ref. No. | Part No. | Description | No. Used | Ref. No. | Part No. | Description | No. Used |
|----------|----------|-----------------------------------|----------|----------|----------|----------------------------|----------|
| 1 | 12-7189 | Engine | 1 | 25 | 27-1930 | Pump Mount | 1 |
| 2 | 10-7070 | Key - Engine | 1 | 26 | 27-1970 | Coupling - Pump | 1 |
| 3 | 82-5570 | Gasket - Exhaust | 1 | 27 | 44-2230 | Coupling - Rubber | 1 |
| 4 | 3296-29 | Nut - Lock | 4 | 28 | 27-6600 | Spacer - Rubber | 4 |
| 7 | 62-2270 | Exhaust Pipe | 1 | 29 | 3241-6 | Screw - Set, Sq. Hd. | 2 |
| 8 | 3253-4 | Washer - Lock | 2 | 30 | 322-6 | Screw - Cap, Hex Hd. | 4 |
| 9 | 3217-6 | Nut - Hex | 2 | 31 | 27-1960 | Coupling - Engine | 1 |
| 10 | 62-2110 | Muffler Assembly | 1 | 32 | 3241-2 | Screw - Set, Sq. Hd. | 2 |
| * | 62-2780 | Spark Arrestor Muffler (Optional) | 1 | 33 | 3296-39 | Nut - Lock | 4 |
| 11 | 2412-76 | Muffler Clamp Assembly | 1 | 34 | 323-15 | Screw - Cap, Hex Hd. | 1 |
| 12 | 3256-23 | Washer - Flat | 6 | 35 | 323-20 | Screw - Cap, Hex Hd. | 3 |
| 13 | 3253-6 | Washer - Lock | 4 | 36 | 27-2150 | Mounting Pad - Engine | 4 |
| 14 | 324-6 | Screw - Cap, Hex Hd. | 4 | 37 | 63-7400 | Washer - Flat | 4 |
| 15 | 3253-21 | Washer - Lock | 2 | 38 | 32144-1 | Screw - Thread Forming | 8 |
| 16 | 323-8 | Screw - Cap, Hex Hd. | 2 | 39 | 62-2350 | Wire Harness - Column | 1 |
| 17 | 62-2300 | Traction Pump Assembly | 1 | 40 | 88-9690 | Wire Harness - Frame | 1 |
| 18 | 237-30 | O-Ring | 1 | 41 | 88-9680 | Wire Harness - Traction | 1 |
| 19 | 340-6 | Fitting - Straight | 1 | 42 | 10-7130 | Wire - Solenoid to Battery | 1 |
| 20 | 237-79 | O-Ring | 1 | 43 | 28-2120 | Wire - Battery to Ground | 1 |
| 21 | 340-77 | 90° Fitting | 1 | 44 | 27-3070 | Wire - Battery to Engine | 1 |
| 22 | 237-42 | O-Ring | 3 | 45 | 62-2630 | Wire Assembly | 1 |
| 23 | 340-87 | 45° Fitting | 2 | 46 | 71-3620 | Decal - Engine | 1 |
| 24 | 237-22 | O-Ring | 2 | 47 | 3254-6 | Washer - Lock | 1 |

*Not Illustrated

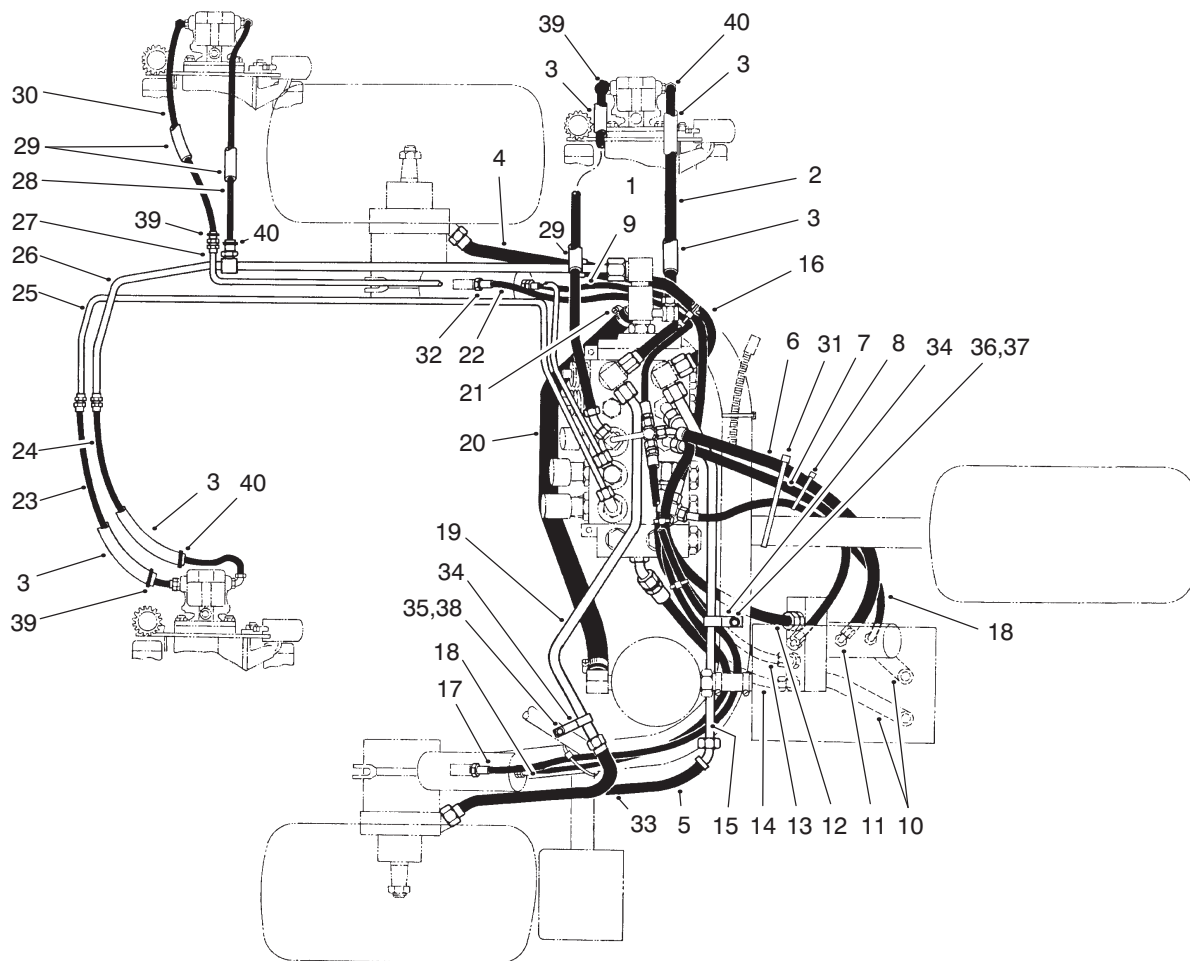


T-0305

TRACTION PUMP NO. 62-2300

| Ref. No. | Part No. | Description | No. Used |
|----------|----------|----------------------|----------|
| 1 | 5-0946 | Key - Square | 1 |
| 2 | 353-931 | Seal - Oil | 1 |
| 3 | 353-916 | Flange Assembly | 1 |
| 4 | 353-917 | O-Ring | 1 |
| 5 | 353-918 | Body Assembly | 1 |
| 6 | 353-970 | Dowel | 2 |
| 7 | 353-971 | Gear Plate - Pump | 1 |
| 8 | 353-964 | Gear - 66B | 2 |
| 9 | 353-965 | Idler Shaft Assembly | 1 |
| 10 | 353-972 | Shaft - Drive | 1 |
| 11 | 353-884 | Key - Woodruff | 4 |

| Ref. No. | Part No. | Description | No. Used |
|----------|----------|----------------------|----------|
| 12 | 353-886 | Ring - Retaining | 2 |
| 13 | 353-921 | Plate Assembly | 1 |
| 14 | 353-922 | Seal Ring - Pump | 8 |
| 15 | 353-969 | Gear Plate - 30B | 3 |
| 16 | 353-923 | Plate Assembly | 2 |
| 17 | 353-927 | Cover Assembly | 1 |
| 18 | 353-966 | Screw - Cap, Hex Hd. | 4 |
| 19 | 353-600 | Washer - Flat | 4 |
| 20 | 353-967 | Gear - 33B | 5 |
| 21 | 353-968 | Dowel | 6 |



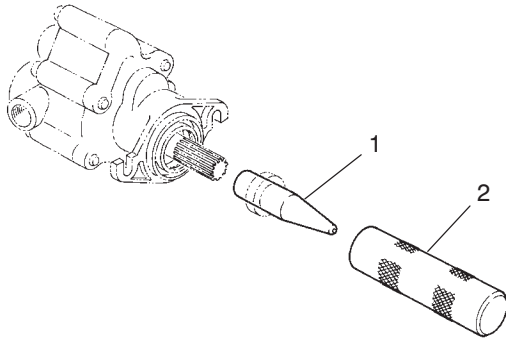
T-0306B

HYDRAULIC SYSTEMS DIAGRAM

| Ref. No. | Part No. | Description | No. Used | Ref. No. | Part No. | Description | No. Used |
|----------|----------|--|----------|----------|----------|---|----------|
| 1 | 74-3830 | Hose - Pressure, Rear (Incl. Ref. #29 & 39) | 1 | 23 | 63-3870 | Hose - Pressure L.H. (Incl. Ref. #3 & 39) | 1 |
| 2 | 63-3840 | Hose - Return, Rear (Incl. Ref. #3 & 40) | 1 | 24 | 63-3830 | Hose - Return L.H. (Incl. Ref. #3 & 40) | 1 |
| 3 | 56-7981 | Sleeve - Protective | 3 | 25 | 63-4020 | Pressure Line Cutting Unit L.H. | 1 |
| 4 | 70-8600 | Traction Hose - Upper R.H. | 1 | 26 | 63-4040 | Return Line - R.H. | 1 |
| 5 | 70-7150 | Traction Hose - Lower L.H. | 1 | 27 | 63-4030 | Pressure Line Cutting Unit R.H. | 1 |
| 6 | 63-3930 | Hose Cylinder - Drop, Rear | 1 | 28 | 63-3820 | Hose - Return R.H. (Incl. Ref. #29 & 40) | 1 |
| 7 | 63-3900 | Hose - Pump #3 | 1 | 29 | 56-7980 | Sleeve - Protective | 3 |
| 8 | 3290-379 | Tie - Cable | 6 | 30 | 63-3810 | Hose - Pressure R.H. (Incl. Ref. #29 & 39) | 1 |
| 9 | 63-3880 | Hose - Cylinder, Lift R.H. | 1 | 31 | 3333-975 | Cable Tie | 1 |
| 10 | 27-3040 | Hose - Pump/Inlet | 2 | 32 | 340-92 | Fitting - Orifice Str. | 1 |
| 11 | 340-103 | 45° Elbow Adjustable | 1 | 33 | 70-8610 | Hose - Traction, Upper L.H. | 1 |
| 12 | 63-3940 | Hose - Pump #4 | 1 | 34 | 2412-41 | R-Clamp | 3 |
| 13 | 63-3910 | Hose - Pump #2 | 1 | 35 | 12-3270 | Screw - Cap, Hex. Hd. | 3 |
| 14 | 63-3920 | Hose - Pump #1 | 1 | 36 | 321-3 | Screw - Cap, Hex. Hd. | 1 |
| 15 | 83-1200 | Tube - Traction Lower L.H. | 1 | 37 | 3296-16 | Nut - Lock | 1 |
| 16 | 83-2460 | Hose - Traction Lower R.H. | 1 | 38 | 3256-22 | Washer - Flat | 1 |
| 17 | 63-3850 | Hose - Cylinder - Drop L.H. | 1 | 39 | 93-9346 | Clamp - Hose, Pressure | 6 |
| 18 | 63-3890 | Hose - Cylinder - Lift L.H. | 1 | 40 | 93-9347 | Clamp - Hose, Return | 6 |
| 19 | 70-7130 | Traction Line - Upper L.H. | 1 | | | | |
| 20 | 68-5880 | Return Line - Man. to Filter | 1 | | | | |
| 21 | 2412-3 | Clamp - Hose | 2 | | | | |
| 22 | 63-3950 | Hose - Cylinder - Drop L.H. | 1 | | | | |

SPECIAL TOOLS

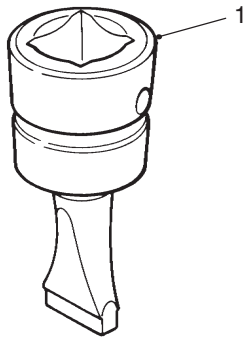
REEL MOTOR SEAL INSTALLATION TOOLS



T-0727

| Ref. No. | Part No. | Description | No. Used |
|----------|-----------|------------------|----------|
| 1 | TOR491430 | Protector – Seal | 1 |
| 2 | TOR491450 | Installer – Seal | 1 |

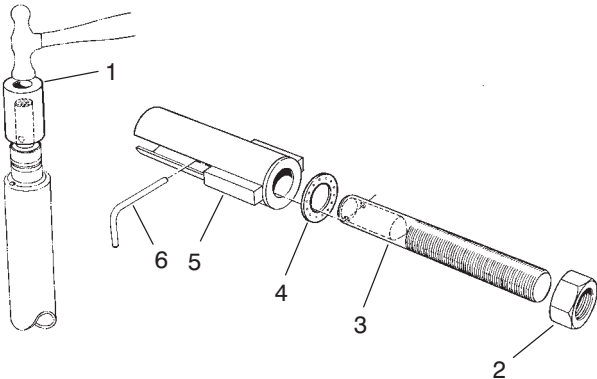
BED KNIFE SCREW TOOL NO. TOR510880



T-0729

| Ref. No. | Part No. | Description | No. Used |
|----------|----------|------------------------|----------|
| 1 | | Tool – Bed Knife Screw | 1 |

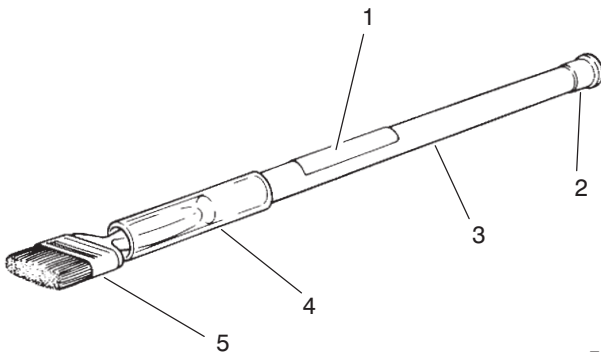
BEARING REPLACEMENT TOOL KIT NO. TOR238900



T-0730

| Ref. No. | Part No. | Description | No. Used |
|----------|----------|------------------------|----------|
| 1 | 23-8880 | Driver – Bearing | 2 |
| 2 | 3219-18 | Nut – Hex. | 1 |
| 3 | 23-8840 | Puller – Bolt | 1 |
| 4 | 22-6090 | Washer – Thrust | 1 |
| 5 | 23-8850 | Tube – Support | 1 |
| 6 | 23-8860 | Pin – Bearing Rplcmnt. | 1 |

BACKLAPPING BRUSH ASSEMBLY NO. 29-9100



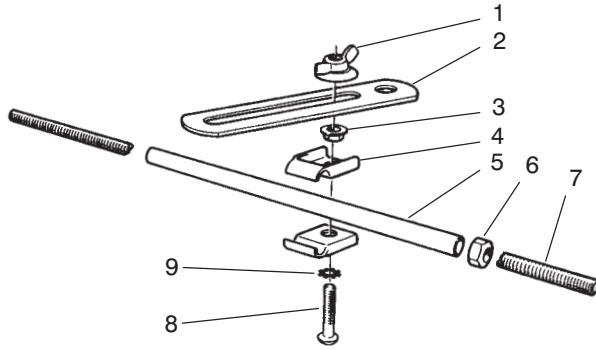
T-0731

| Ref. No. | Part No. | Description | No. Used |
|----------|----------|---------------|----------|
| 1 | 12-9140 | Decal | 1 |
| 2 | 2410-18 | Plug | 1 |
| 3 | 29-9080 | Handle | 1 |
| 4 | 29-9090 | Hose – Handle | 1 |
| 5 | 36-4310 | Brush | 1 |

Note: Special tools may be ordered from: Owatonna Tool Company 2013 4th St. NW Owatonna, MN 55060

dSPECIAL TOOLS (Continued)

ALIGNMENT TOOL NO. TOR200120



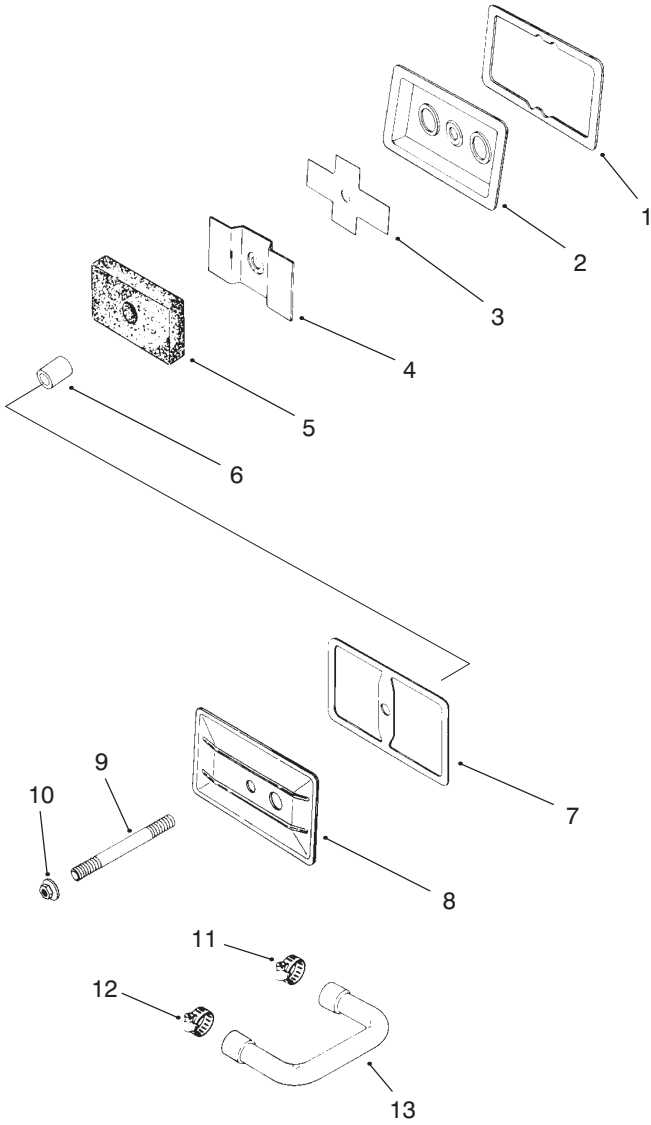
T-0732

| Ref. No. | Part No. | Description | No. Used |
|----------|----------|---------------------------|----------|
| 1 | 3-4808 | Nut – Wing | 1 |
| 2 | 20-0110 | Bracket – Alignment | 1 |
| 3 | 32128-20 | Nut – Lock, Flange | 1 |
| 4 | 3-6657 | Clip – Skid | 2 |
| 5 | 20-0070 | Tube | 1 |
| 6 | 3219-2 | Nut – Hex. | 1 |
| 7 | 20-0080 | Rod | 1 |
| 8 | 32122-35 | Screw – Truss Head | 1 |
| 9 | 3255-8 | Washer – Lock, Int. Tooth | 1 |

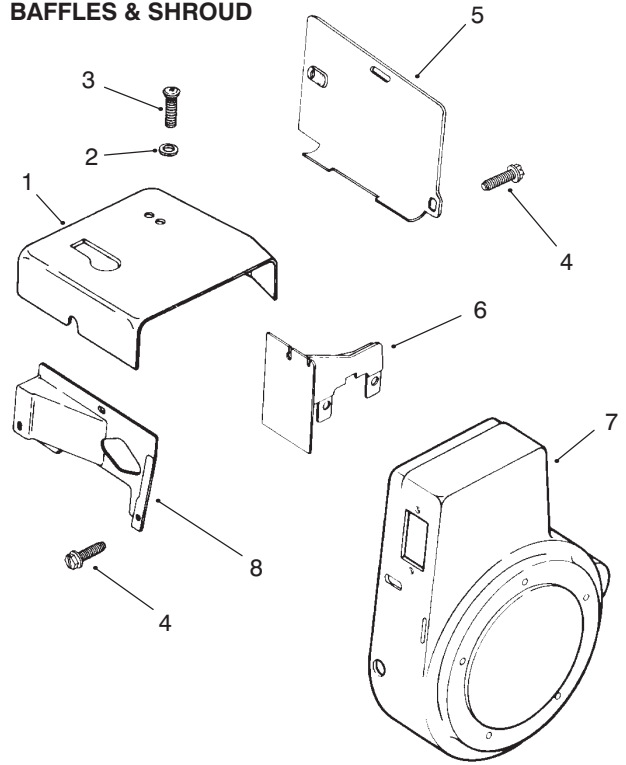
**Note: Special tools may be ordered from: Owatonna Tool Company
2013 4th St. NW
Owatonna, MN 55060**

ENGINE ASSY. – KOHLER MODEL NO. M16S-711533

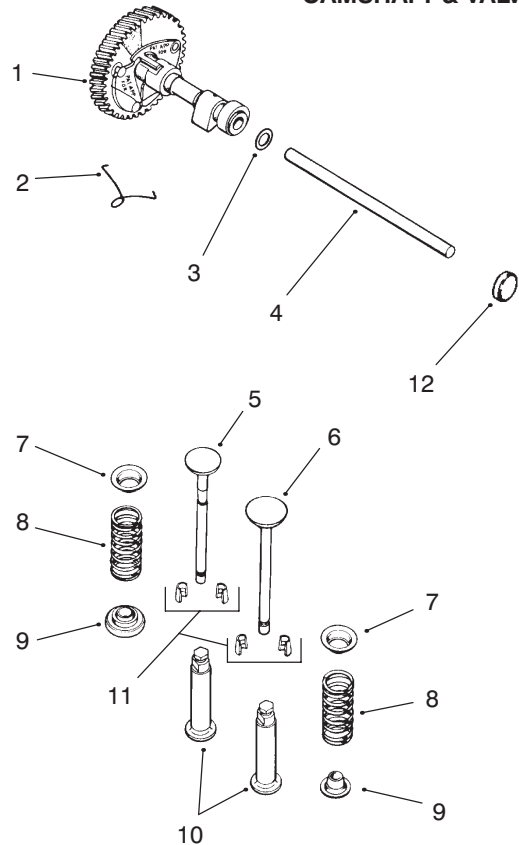
Group 3 BREATHER & VENT



Group 2 BAFFLES & SHROUD



Group 4 CAMSHAFT & VALVES



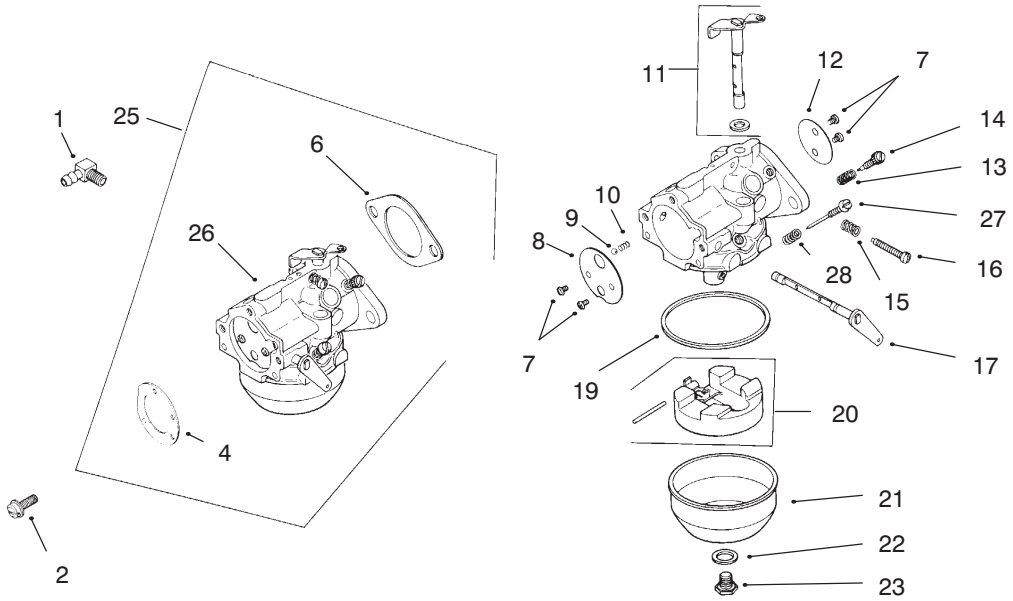
ENGINE ASSY. – KOHLER MODEL NO. M16S-711533

| Ref. No. | Part No. | Description | No. Used |
|-----------------------------|----------|-------------------------|----------|
| Baffles & Shroud | | | |
| 1 | 4506308 | Baffle – Head | 1 |
| 2 | X-25-53 | Washer – Plain | 1 |
| 3 | 4708608 | Screw – Pozidriv T.H. | 1 |
| 4 | 5208611 | Screw – Hex Wash. Hd. | 6 |
| 5 | 4706310 | Baffle – Cylinder | 1 |
| 6 | 4706307 | Baffle – Inner | 1 |
| 7 | 4702742 | Housing – Blower | 1 |
| 8 | 4706311 | Baffle – Side Air | 1 |
| Breather & Vent | | | |
| 1 | 235048 | Gasket – Breather Plate | 1 |
| 2 | 235631 | Plate – Breather | 1 |
| 3 | 235047 | Reed – Breather | 1 |
| 4 | 235117 | Baffle – Breather | 1 |
| 5 | 235118 | Filter – Breather | 1 |
| 6 | 231032 | Seal – Breather | 1 |
| 7 | 275144 | Gasket – Valve Cover | 1 |
| 8 | 275839 | Cover – Valve | 1 |
| 9 | 275220 | Stud – Valve Cover | 1 |
| 10 | X-799-1 | Palnut | 1 |
| 11 | X-426-3 | Clamp – Hose 1/2" Wide | 1 |
| 12 | X-426-9 | Clamp – Hose 5/16" Wide | 1 |
| 13 | 4732602 | Hose – Breather | 1 |

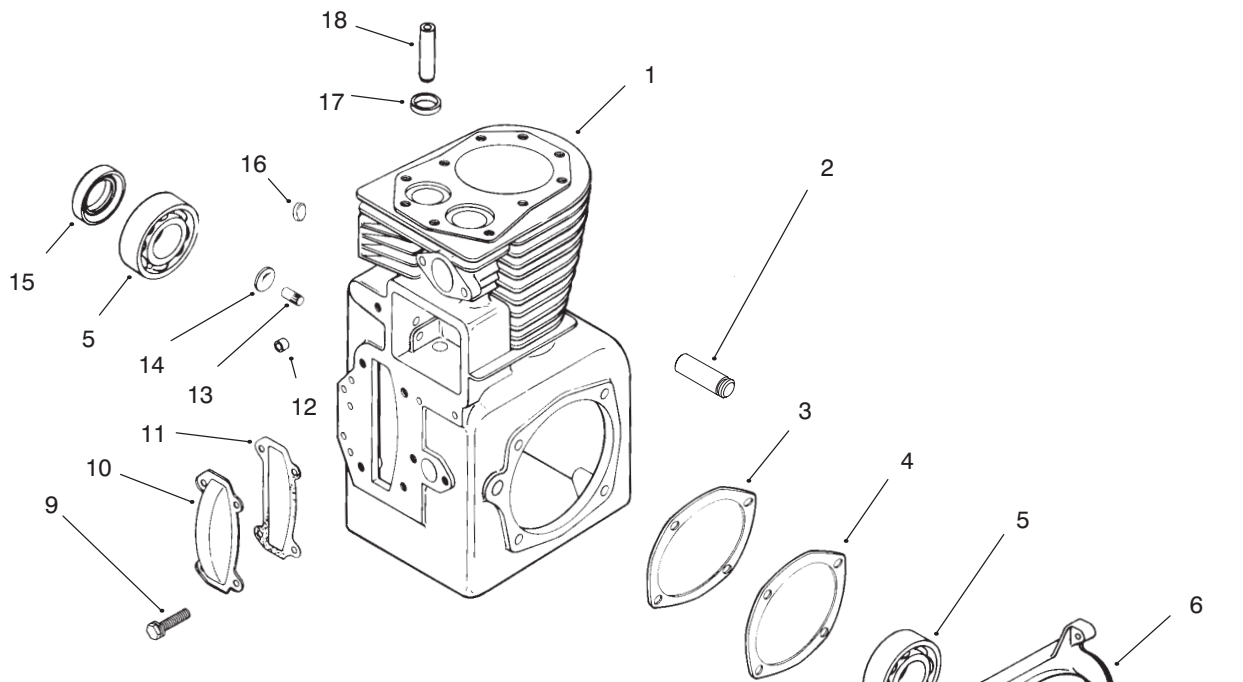
| Ref. No. | Part No. | Description | No. Used |
|------------------------------|----------|-------------------------|----------|
| Camshaft & Valves | | | |
| 1 | 4701011 | Camshaft Assembly | 1 |
| 2 | 4708901 | Spring – Actuating | 1 |
| 3 | 275066 | Spacer .005 | A/R |
| 3 | 275067 | Spacer .010 | A/R |
| 4 | 4738009 | Pin – Camshaft | 1 |
| 5 | 237672 | Valve – Exhaust | 1 |
| 6 | 235582 | Valve – Intake | 1 |
| 7 | 235011 | Retainer – Upper Spring | 2 |
| 8 | 235168 | Spring – Valve | 2 |
| 9 | 5241301 | Rotator | 2 |
| 10 | D-235327 | Tappet | 2 |
| 11 | 4175510 | Kit – Retainer | 2 |
| 12 | X-702-3 | Plug Cup 1/2 O.P. | 1 |

ENGINE ASSY. – KOHLER MODEL NO. M16S-711533

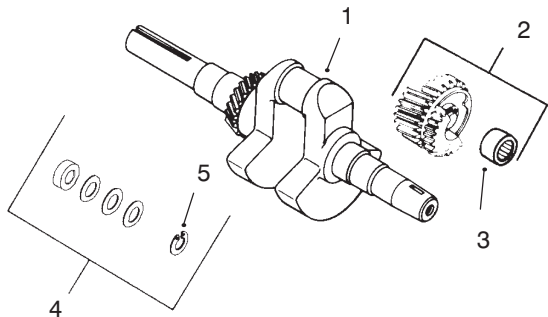
CARBURETOR



CRANKCASE



CRANKSHAFT



ENGINE ASSY. – KOHLER MODEL NO. M16S-711533

| Ref. No. | Part No. | Description | No. Used |
|----------|----------|---|----------|
| | | Carburetor | |
| 1 | 4515501 | Connector – Hose | 1 |
| 2 | X-770-1 | Screw – Slt. Hd. Built with the following: | 2 |
| 25 | 4585313 | Kit – Carburetor | 1 |
| 4 | 275341 | Gasket – Air Cleaner | 1 |
| 6 | 4704901 | Gasket – Carburetor | 1 |
| †26 | 4505384 | Carburetor Assembly | 1 |
| 7 | 2508627 | Screw – Throttle & Choke Plate | 4 |
| 8 | 4514607 | Plate – Choke | 1 |
| 9 | 2519401 | Ball – Choke Friction | 1 |
| 10 | 2508903 | Spring – Choke Friction | 1 |
| 11 | 4714425 | Shaft – Throttle w/Lever & Seal | 1 |
| 12 | 4714610 | Plate – Throttle | 1 |
| 13 | 2508902 | Spring – Idle, Fuel | 1 |
| 14 | 2536801 | Needle – Idle, Fuel Adjust. | 1 |
| 15 | 2508904 | Spring – Idle, Speed | 1 |
| 16 | 2508626 | Screw – Idle Speed Adjust. | 1 |
| 17 | 4709038 | Lever Assembly, Choke | 1 |
| 19 | 2504104 | Gasket – Bowl | 1 |
| 20 | 2575709 | Kit – Float | 1 |
| 21 | 2510401 | Bowl – Fuel | 1 |
| 22 | 2504103 | Gasket – Bowl Ret. Screw | 1 |
| 23 | 2510005 | Screw – Bowl Retainer | 1 |
| 24 | 2515505 | Connector – Hose | 1 |
| 27 | 2536803 | Needle – Main, Fuel | 1 |
| 28 | 2508902 | Spring – Main, Fuel | 1 |
| * | 2575711 | Kit – Carburetor Repair | 1 |

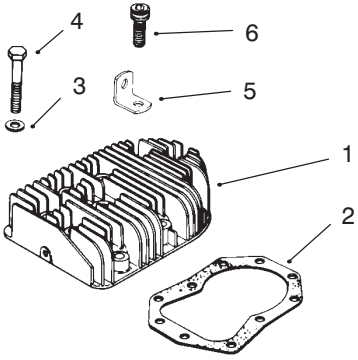
| Ref. No. | Part No. | Description | No. Used |
|----------|----------|--|----------|
| | | Crankcase | |
| 1 | 4578228 | Cylinder Block Assembly (USE: Miniblock) (Incl. Ref. #12, 17 & 18) | 1 |
| 2 | 236559 | Shaft – Balance Gear Stub | 2 |
| 3 | 4742205 | Gasket – Shim | A/R |
| 4 | 4704109 | Gasket – Bearing Plate | 1 |
| 5 | 235376 | Bearing – Ball | 2 |
| 6 | 4714611 | Plate – Bearing | 1 |
| 7 | 4703206 | Seal – Front, Oil | 1 |
| 8 | X-159-2 | Screw – H.C. | 4 |
| 9 | X-132-6 | Screw – H.C. | 4 |
| 10 | 235026 | Cover – Camshaft | 1 |
| 11 | 235025 | Gasket – Camshaft, Cover | 1 |
| 12 | 234866 | Bearing – Cross Shaft | 1 |
| 13 | 235125-S | Shaft – Governor | 1 |
| 14 | X-230-11 | Plug – Expansion | 1 |
| 15 | 4703207 | Seal – Rear, Oil | 1 |
| 16 | 4713901 | Plug – Cup | 2 |
| 17 | 230265 | Insert – Valve | 2 |
| 18 | 235007-S | Guide – Valve | 2 |
| | | Crankshaft | |
| 1 | 4514236 | Kit – Crankshaft | 1 |
| 2 | 4504303 | Gear Assembly (Incl. Ref. #3) | 2 |
| 3 | 4703001 | Bearing – Needle | 2 |
| 4 | 4775501 | Kit – Spacer | 1 |
| 5 | X-269-34 | Retainer | 2 |

*Not Illustrated

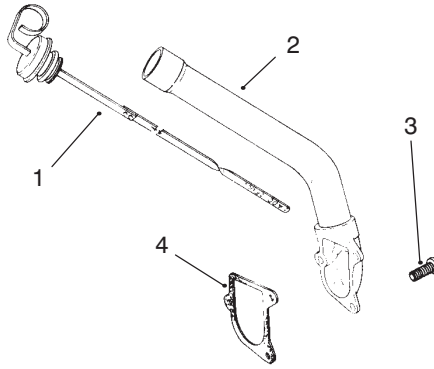
†For information only. Not available separately.

ENGINE ASSY. – KOHLER MODEL NO. M16S-711533

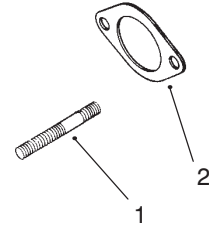
Group 9 CYLINDER HEAD



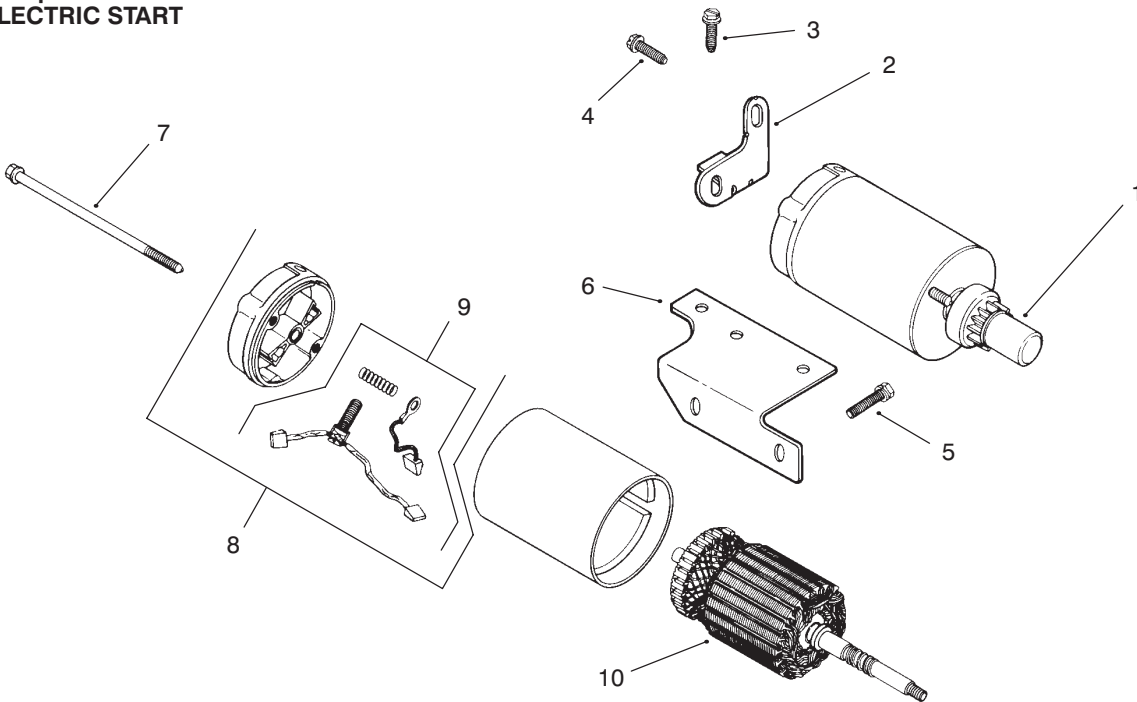
Group 10 DIPSTICK



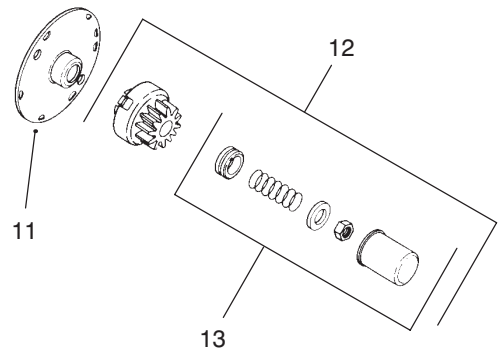
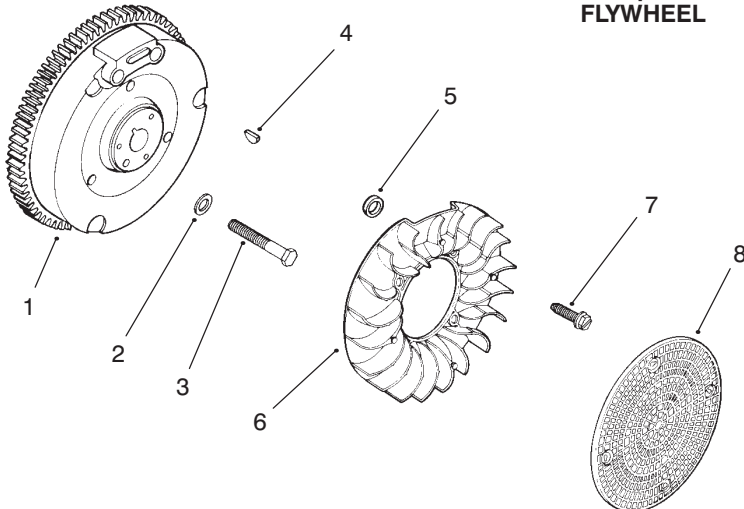
Group 12 EXHAUST



Group 11 ELECTRIC START



Group 13 FLYWHEEL



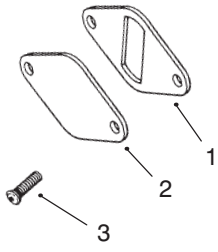
ENGINE ASSY. – KOHLER MODEL NO. M16S-711533

| Ref. No. | Part No. | Description | No. Used |
|-----------------------|----------|--|----------|
| Cylinder Head | | | |
| 1 | 4501509 | Head – Cylinder | 1 |
| 2 | 4504117 | Gasket – Head | 1 |
| 3 | 270889 | Washer – Plain | 10 |
| 4 | 270158 | Screw – H.C. | 9 |
| 5 | 4744502 | Strap – Lifting | 1 |
| 6 | 4708617 | Screw – Hex Socket Hd. | 1 |
| Dipstick | | | |
| 1 | 4727203 | Dipstick | 1 |
| 2 | 4712314 | Adapter – Oil Fill | 1 |
| 3 | X-131-2 | Screw – F.H. | 3 |
| 4 | 237064 | Gasket – Adapter | 1 |
| * | 4501483 | Extension | 1 |
| Electric Start | | | |
| 1 | 4109804 | Starter Assembly (Incl. Ref. #8-13) | 1 |
| 2 | 4512617 | Brace – Tail | 1 |
| 3 | X-67-83 | Screw – Hex Wash. Hd. | 1 |
| 4 | X-67-62 | Screw – Hex Wash. Hd. | 1 |
| 5 | X-159-2 | Screw – H.C. | 2 |
| 6 | 4712629 | Bracket – Solenoid | 1 |
| 7 | 4108619 | Bolt – Thru | 2 |
| 8 | 4122704 | Commutator End Cap | 1 |
| 9 | 5275515 | Kit – Brush | 1 |
| 10 | 4517002 | Armature | 1 |
| 11 | 4122703 | Cap – Drive End | 1 |
| 12 | 4775507 | Kit – Drive | 1 |
| 13 | 4775513 | Kit – Drive Parts | 1 |
| * | 2545003 | Tag –Caution | 1 |
| * | 5235701 | Lubricant – Starter | 1 |

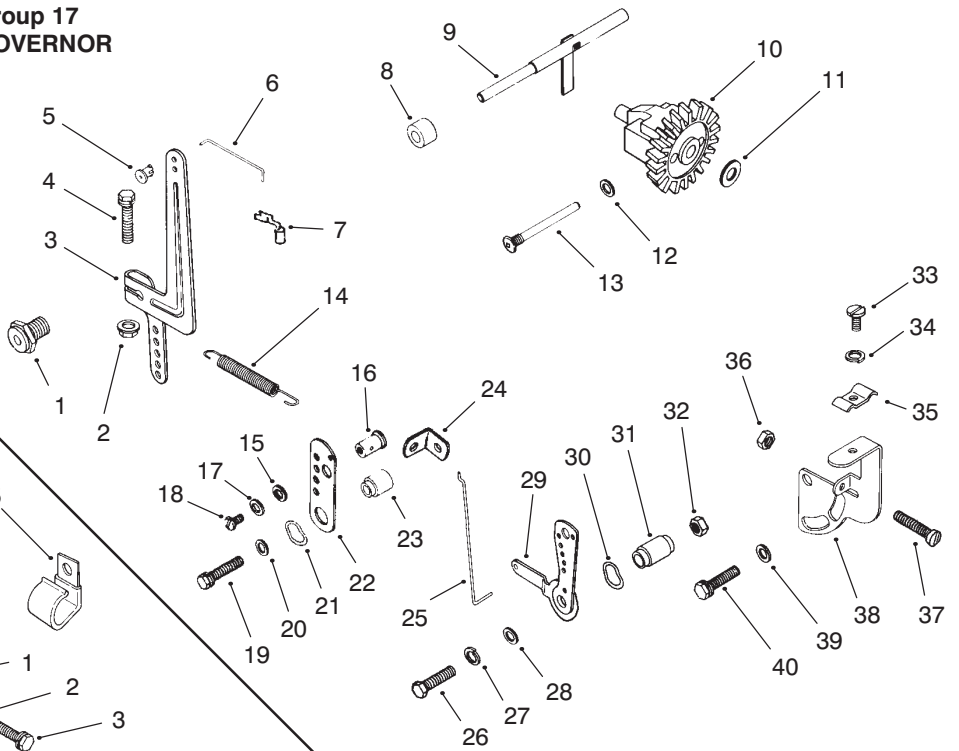
| Ref. No. | Part No. | Description | No. Used |
|-----------------|----------|-----------------------|----------|
| Exhaust | | | |
| 1 | 4107219 | Stud | 2 |
| 2 | 4504115 | Gasket – Exhaust | 1 |
| Flywheel | | | |
| 1 | 4702553 | Flywheel | 1 |
| 2 | 5246815 | Washer – Plain | 1 |
| 3 | 2508624 | Screw – Hex Mach. | 1 |
| 4 | X-46-3 | Key – Woodruff | 1 |
| 5 | 2511204 | Spacer | 4 |
| 6 | 2515701 | Fan | 1 |
| 7 | 2508621 | Screw – Hex Wash. Hd. | 4 |
| 8 | 2516201 | Screen – Grass | 1 |

ENGINE ASSY. - KOHLER MODEL NO. M16S-711533

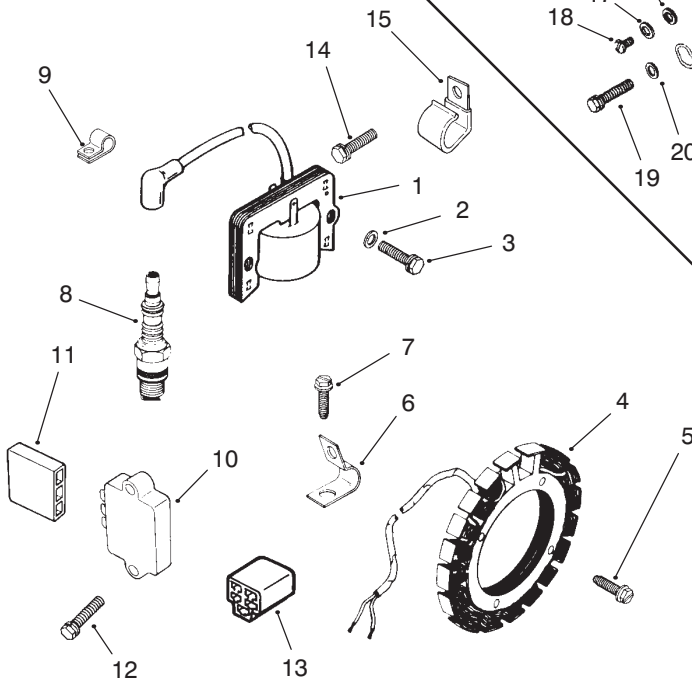
Group 14 FUEL PUMP



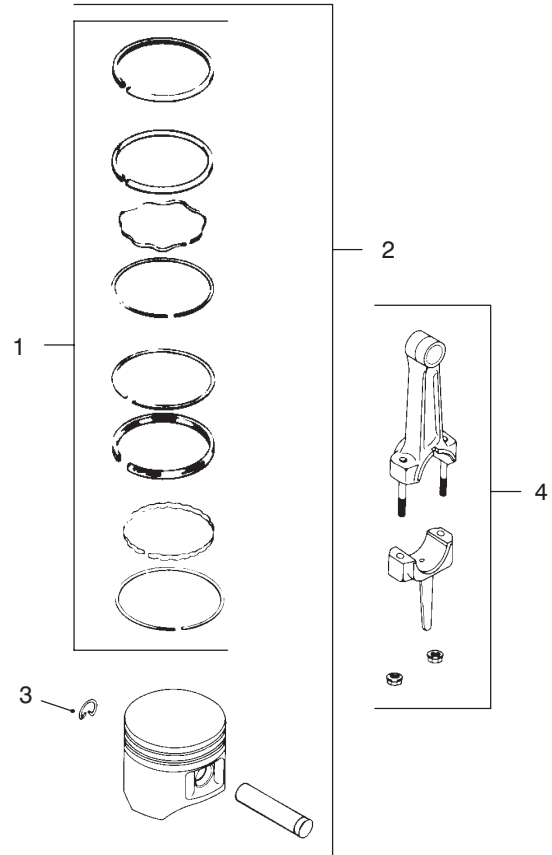
Group 17 GOVERNOR



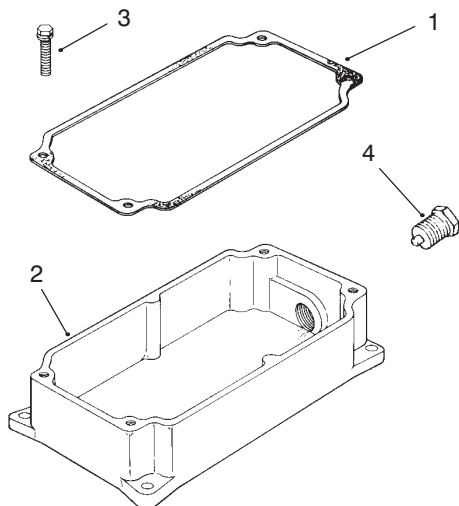
Group 18 IGNITION



Group 22 PISTON & ROD

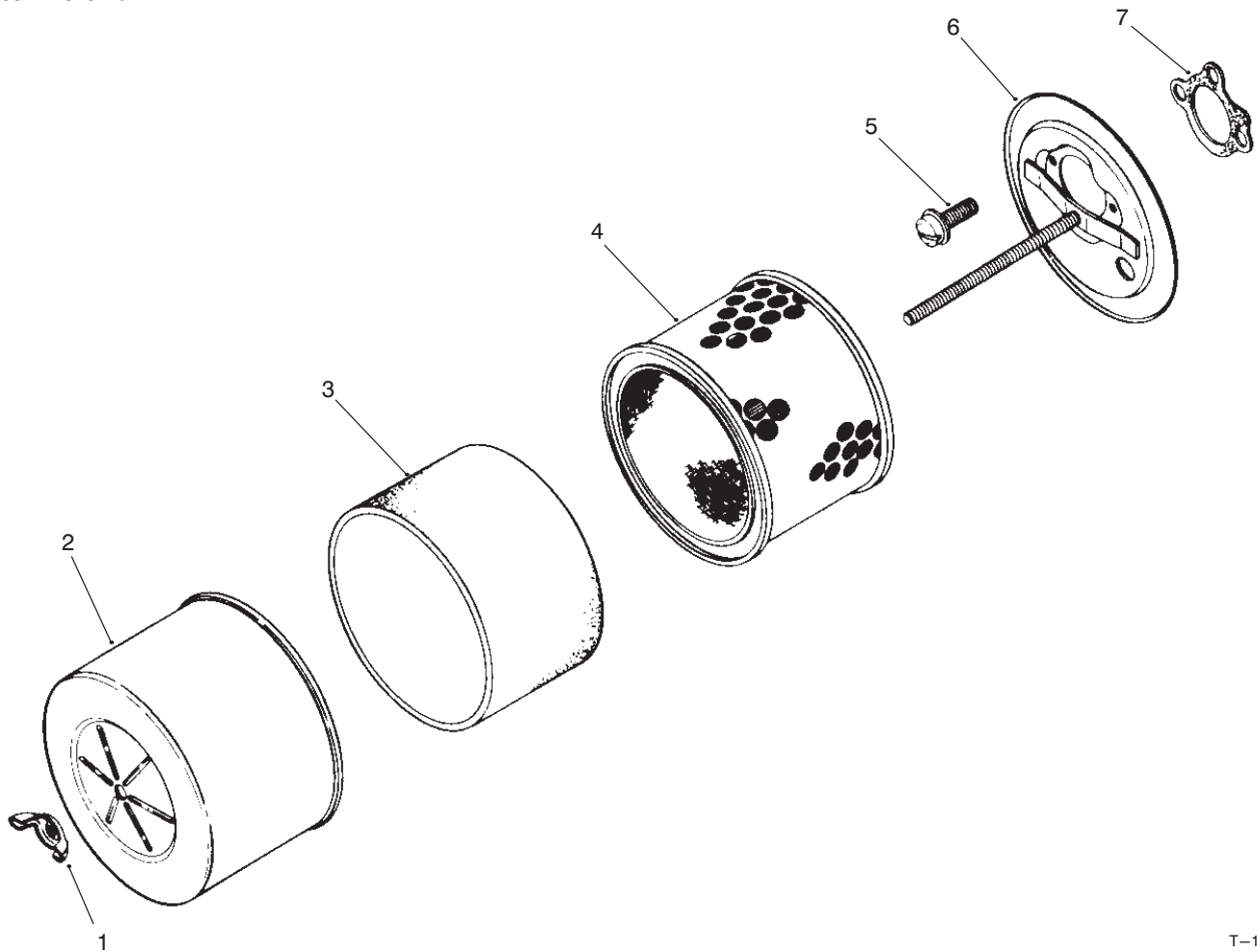


Group 21 OIL PAN



ENGINE ASSY. – KOHLER MODEL NO. M16S-711533

| Ref. No. | Part No. | Description | No. Used | Ref. No. | Part No. | Description | No. Used |
|----------|------------|---|----------|----------|----------|--|----------|
| | | Fuel Pump | | | | | |
| 1 | 2504105 | Gasket – Fuel Pump | 1 | 40 | X-132-1 | Screw – H.C. | 1 |
| 2 | 240282 | Cover – Pump Pad | 1 | | | Ignition | |
| 3 | X-174-2 | Screw – Pozidriv F.H. | 2 | 1 | 4758402 | Module Ignition | 1 |
| | | Governor | | 2 | X-25-79 | Washer – Plain | 2 |
| 1 | 235476 | Bushing – Governor Shaft | 1 | 3 | X-156-1 | Screw – H.C. | 2 |
| 2 | X-799-1 | Palnut | 1 | 4 | 237878 | Kit – Stator (15 amp.) | 1 |
| 3 | 4709020 | Lever – Governor | 1 | 5 | X-67-51 | Screw – Stator Mounting | 4 |
| 4 | X-776-1 | Screw – H.C. | 1 | 6 | X-728-1 | Clip – Lead | 1 |
| 5 | 4715807 | Bushing – Natural Linkage Retaining | 1 | 7 | X-67-59 | Screw – Hex Wash. Hd. | 1 |
| 6 | 4707910 | Linkage Governor (Governor to Carburetor) | 1 | 8 | 235041-S | Spark Plug RH-10 | 1 |
| 7 | 2515809 | Bushing – Black Linkage Retaining | 1 | 9 | 210281 | Clip – Hi-Tension Lead | 1 |
| 8 | X-400-80 | Spacer | 1 | 10 | 2575503 | Kit, Rectifier – Regulator | 1 |
| 9 | A-235256-S | Kit – Governor Cross Shaft | 1 | 11 | 236602 | Connector – Female (3 Contact) | 1 |
| 10 | A-235743-S | Kit – Governor Gear | 1 | 12 | X-132-5 | Screw – H.C. | 2 |
| 11 | 237022 | Washer – Thrust | 1 | 13 | 4115503 | Connector – Male (2 Contact) | 1 |
| 12 | 2546801 | Washer – Plain | 1 | 14 | X-321-6 | Screw, Sems Hex. | 1 |
| 13 | 231355 | Pin – Governor Stop | 1 | 15 | 235173 | Clip, Cable | 1 |
| 14 | 235496 | Spring – Governor | 1 | | | NOT ILLUSTRATED | |
| 15 | X-25-102 | Washer – Plain | 1 | | 4751836 | Lead – Violet Rect.-Reg. to Connector 23" 14 Gauge Uninsulated Push on Tab | 1 |
| 16 | 4875510 | Kit – Clamp (Incl. Ref. #17 & 18) | 1 | | | Lead White Module to Connector | |
| 17 | X-25-58 | Washer | 1 | | 4751843 | Lead – White, w/Diode (5" – 18 Gauge) Insulated Push on Tab – Insulink | |
| 18 | X-102-3 | Screw | 1 | | | Oil Pan | |
| 19 | X-132-9 | Screw H.C. | 1 | 1 | 235057 | Gasket – Oil Pan | 1 |
| 20 | X-25-63 | Washer – Plain | 1 | 2 | 235147 | Pan – Oil | 1 |
| 21 | 275690 | Washer – Wave | 1 | 3 | X-159-3 | Screw – H.C. | 4 |
| 22 | 236249 | Bracket – Speed Control | 1 | 4 | X-305-4 | Plug – Hex Hd. | 1 |
| 23 | 235085 | Spacer | 1 | | | Piston & Rod | |
| 24 | 235084 | Bracket | 1 | 1 | 4510810 | Ring Set (Std. & .003) | 1 |
| 25 | 4707901 | Linkage Choke (Carburetor to Lever) | 1 | 1 | 4510811 | Ring Set (.010) | 1 |
| 26 | X-5-26 | Screw – H.C. | 1 | 1 | 4510812 | Ring Set (.020) | 1 |
| 27 | X-20-1 | Washer – Lock | 1 | 1 | 4510813 | Ring Set (.030) | 1 |
| 28 | X-25-63 | Washer – Plain | 1 | 2 | 4587411 | Piston w/Ring Set (Std.) | 1 |
| 29 | 4709006 | Lever – Choke Control | 1 | 2 | 4587412 | Piston w/Ring Set (.003) | 1 |
| 30 | 275690 | Washer – Wave | 1 | 2 | 4587413 | Piston w/Ring Set (.010) | 1 |
| 31 | 4711202 | Spacer | 1 | 2 | 4587414 | Piston w/Ring Set (.020) | 1 |
| 32 | X-76-2 | Nut – Hex | 1 | 2 | 4587415 | Piston w/Ring Set (.030) | 1 |
| 33 | X-67-51 | Screw | 1 | 3 | 4701801 | Retainer Piston Pin | 2 |
| 34 | 2546804 | Washer | 1 | 4 | 4506724 | Connecting Rod (Std.) | 1 |
| 35 | 4723702 | Clamp – Swivel | 1 | 4 | 4506725 | Connecting Rod (.010) | 1 |
| 36 | X-72-4 | Nut – Hex | 1 | | | | |
| 37 | 232556 | Screw | 1 | | | | |
| 38 | 4712609 | Bracket – Control | 1 | | | | |
| 39 | X-25-72 | Washer – Plain | 1 | | | | |



T-1179

ENGINE ASSY. - KOHLER MODEL NO. M16S-711533

| Ref. No. | Part No. | Description | No. Used |
|----------|----------|----------------------|----------|
| | | Air Intake | |
| 1 | X-276-7 | Nut - Wing | 1 |
| 2 | 4508201 | Cover - Air Cleaner | 1 |
| 3 | 4508301 | Precleaner - Element | 1 |
| 4 | 4508302 | Element | 1 |

| Ref. No. | Part No. | Description | No. Used |
|----------|----------|--------------------|----------|
| 5 | X-167-2 | Screw - F.H. | 3 |
| 6 | 4509401 | Base - Air Cleaner | 1 |
| 7 | 275341 | Gasket - Air Horn | 1 |
| * | 2511307 | Decal | 1 |

*Not Illustrated

TORO PART NUMBER INDEX

3318—375 Rev. A

| Part No. | Description | Pg. Ref. No. No. Qty. | Part No. | Description | Pg. Ref. No. No. Qty. |
|----------|----------------------------|--------------------------|----------|-----------------------------|--------------------------|
| 3-0348 | Bushing | 5 27 6 | 27-3040 | Hose - Pump | 12 46 2 |
| 3-0348 | Bushing | 1 31 10 | 27-3040 | Hose - Pump/Inlet | 23 10 2 |
| 3-0348 | Bushing | 7 35 6 | 27-3070 | Wire - Battery to Engine | 21 44 1 |
| 3-1506 | Bushing | 2 60 12 | 27-6600 | Spacer - Rubber | 21 28 4 |
| 3-4808 | Nut - Wing | 25 1 1 | 27-7980 | Front Reservoir Strap Assy. | 12 30 1 |
| 3-6657 | Clip - Skid | 25 4 2 | 28-1400 | Battery | 20 65 1 |
| 3-6685 | Spring | 19 47 1 | 28-2120 | Wire - Battery to Ground | 21 43 1 |
| 3-8516 | Anchor - Cable | 19 22 1 | 28-3680 | Tire | 5 2 2 |
| 5-0698 | Key | 19 18 1 | 28-3680 | Tire | 19 42 1 |
| 5-0946 | Key - Square | 22 1 1 | 28-4210 | Solenoid | 19 53 1 |
| 5-1226 | Washer | 7 28 A/R | 28-8080 | Boot Terminal | 20 69 1 |
| 5-1226 | Washer - Shim | 3 89 2 | 29-9080 | Handle | 24 3 1 |
| 5-2653 | Pulley Assembly | 10 13 4 | 29-9090 | Hose - Handle | 24 4 1 |
| 5-3934 | Bolt | 19 34 1 | 36-4310 | Brush | 24 5 1 |
| 10-6060 | Pin - Ram Pivot | 1 23 2 | 36-7250 | Grass Basket | 8 58 3 |
| 10-6090 | Pin - Pivot | 5 40 1 | 38-0410 | Nut - Hex. | 16 53 1 |
| 10-6090 | Pin - Pivot | 8 56 1 | 38-0410 | Nut - Hex. | 18 59 1 |
| 10-6090 | Pin - Pivot | 2 62 2 | 42-2680 | Race R. Detent | 15 46 1 |
| 10-6110 | Pin - Hinge | 1 28 2 | 43-5220 | Ring - Retaining | 9 12 1 |
| 10-6821 | Drum Assy. | 5 51 1 | 43-5230 | Shaft with Clevis | 9 13 1 |
| 10-6830 | Drive Stud | 19 39 4 | 43-5260 | Barrel w/Clevis & Ports | 9 2 1 |
| 10-6870 | Hub - Wheel | 5 5 2 | 43-8600 | Spring - Compression | 20 61 1 |
| 10-7070 | Key - Engine | 21 2 1 | 43-8610 | Guide - Spring & Ball Seat | 20 62 1 |
| 10-7130 | Wire - Solenoid to Battery | 21 42 1 | 43-8620 | Guide - Switch Pin | 20 59 1 |
| 10-7240 | Sleeve - Steering Pulley | 10 42 1 | 43-8860 | Plunger - Switch | 20 60 1 |
| 10-7370 | Tube Cap | 10 5 1 | 43-8870 | Boot - Switch | 19 56 1 |
| 10-7820 | Hinge - Pivot | 5 29 1 | 43-9071 | Switch Assembly | 20 * 1 |
| 10-7820 | Hinge - Pivot | 1 30 1 | 44-0870 | Camshaft - Rear | 7 16 1 |
| 10-7820 | Pivot Hinge | 7 38 1 | 44-2230 | Coupling - Rubber | 21 27 1 |
| 10-7850 | Latch - Parking Brake | 2 76 1 | 44-2500 | Hydraulic Oil Dye | 13 * 1 |
| 10-7880 | Hinge - Upper, Park Brake | 2 77 1 | 44-5560 | Filter Head - Hydraulic | 12 48 1 |
| 10-7890 | Hinge - Lower, Park Brake | 2 74 1 | 47-5320 | Lever - Cutting Control | 7 14 1 |
| 10-7920 | Washer | 8 68 1 | 49-5410 | Box - Tool | 5 23 1 |
| 10-8100 | Strap - Brake Shaft | 2 37 2 | 49-5430 | Rod - Control | 5 19 1 |
| 10-8110 | Washer - Thrust | 5 26 6 | 49-5450 | Plate - Cover | 5 16 1 |
| 10-8110 | Washer - Thrust | 2 51 18 | 49-5460 | Shield - Valve Cover L.H. | 10 31 1 |
| 10-8110 | Washer - Thrust | 7 36 6 | 49-5470 | Shield - Valve Cover R.H. | 10 38 1 |
| 10-8120 | Bolt - Battery | 19 55 2 | 49-5840 | Seat Support | 10 20 1 |
| 10-8140 | Spring - Brake Latch | 2 75 1 | 49-5880 | Shaft - Seat Support | 10 34 1 |
| 10-8220 | Pad - Tool Box | 5 22 1 | 49-5900 | Steering Wheel Assembly | 10 1 1 |
| 11-0160 | Roller Shaft Screw Assy. | 2 70 6 | 49-5910 | Arm Steering | 10 10 1 |
| 12-3270 | Screw - Cap, Hex. Hd. | 23 35 3 | 49-5970 | Bracket - Pulley | 10 15 1 |
| 12-3270 | Screw - Pentafllo | 7 10 1 | 49-6110 | Guard - Transfer Rod | 3 88 1 |
| 12-3270 | Screw - Thread Forming | 10 32 1 | 49-6120 | Pad - Footrest | 1 15 1 |
| 12-7189 | Engine | 21 1 1 | 49-6200 | Lever - Cutting Control | 1 2 1 |
| 12-9140 | Decal | 24 1 1 | 49-6220 | Bracket - Control Arm | 7 17 1 |
| 18-1520 | Fuel Filter | 19 4 1 | 49-6250 | Bracket - Traction Pivot | 7 8 1 |
| 20-0070 | Tube | 25 5 1 | 49-6260 | Tube - Traction Pivot | 8 55 1 |
| 20-0080 | Rod | 25 7 1 | 49-6290 | Shaft - Traction Pivot | 7 9 1 |
| 20-0110 | Bracket - Alignment | 25 2 1 | 49-6320 | Rod - Traction Control | 7 7 1 |
| 21-8470 | Shaft - Yoke Roller | 2 61 3 | 49-6430 | Pad - Pedal Reverse | 7 6 1 |
| 22-6090 | Washer - Thrust | 24 4 1 | 49-6440 | Pedal - Accelerator | 7 2 1 |
| 23-0660 | Key Switch | 11 5 1 | 49-6470 | Pad - Pedal Forward | 7 3 1 |
| 23-8840 | Puller - Bolt | 24 3 1 | 51-0010 | Decal - Traction | 10 39 1 |
| 23-8850 | Tube - Support | 24 5 1 | 51-0350 | Pin - Seat Spring | 19 46 1 |
| 23-8860 | Pin - Bearing Rplcmnt. | 24 6 1 | 51-0780 | Seat Slider | 10 23 1 |
| 23-8880 | Driver - Bearing | 24 1 2 | 51-0790 | Seat Adjuster | 10 30 1 |
| 26-3790 | Nut - Lock | 5 4 2 | 52-1990 | Piston | 4 4 1 |
| 27-1930 | Pump Mount | 21 25 1 | 52-2720 | Roller Assembly | 2 66 3 |
| 27-1960 | Coupling - Engine | 21 31 1 | 52-5860 | Collar - Spool | 18 51 1 |
| 27-1970 | Coupling - Pump | 21 26 1 | 52-5880 | Ball - Steel | 15 47 12 |
| 27-2040 | Hose | 12 27 1 | 52-5900 | Screw - Fillister Hd. | 17 37 4 |
| 27-2150 | Mounting Pad - Engine | 21 36 4 | 55-3570 | Gas Cap | 19 10 1 |
| 27-2270 | Rod - Brake Adjustment | 2 36 2 | 55-8480 | Tank - Hydraulic | 12 43 1 |
| 27-2320 | Bearing - Flange | 1 7 2 | 56-2230 | Hose - Fuel Line | 19 7 1 |
| 27-2320 | Side Flange - Bearing | 7 13 2 | 56-2240 | Hose - Gas Line (Short) | 19 5 1 |
| 27-2380 | Spacer - Filler Mount | 12 20 1 | 56-2520 | Fitting - Fuel Shut-off | 19 6 1 |
| 27-2400 | Reservoir Strap Assembly | 12 39 1 | 56-7970 | Clamp - Tube | 3 82 2 |
| 27-2420 | Felt Strap - Angle | 12 38 2 | 56-7980 | Sleeve - Protective | 23 29 3 |
| 27-2420 | Felt Strip | 12 41 2 | 56-7981 | Sleeve - Protective | 23 3 3 |
| 27-2540 | Spacer - Hub | 7 30 1 | 57-6140 | Clamp - Tube Side | 5 17 4 |
| 27-2550 | Pin - Hinge | 7 31 1 | 57-6220 | Link Connector | 13 56 5 |
| 27-2830 | Decal - Parking Brake | 2 81 1 | 57-7650 | Spring - Torsion | 5 34 2 |

*Not Illustrated

TORO PART NUMBER INDEX (Cont.)

| Part No. | Description | Pg. No. | Ref. No. | Qty. | Part No. | Description | Pg. No. | Ref. No. | Qty. |
|----------|------------------------------|---------|----------|------|----------|----------------------------|---------|----------|------|
| 57-7650 | Spring - Torsion | 2 | 47 | 1 | 70-9840 | Shoe & Lining Assembly | 5 | 7 | 4 |
| 57-7650 | Spring - Torsion | 7 | 49 | 1 | 70-9850 | Clip - Retainer | 5 | 46 | 2 |
| 58-6530 | Decal - Oil | 12 | 32 | 1 | 70-9860 | Shaft - Cam | 5 | 49 | 2 |
| 59-9810 | Module | 11 | 13 | 1 | 70-9870 | Plate - Backing, Brake | 5 | 48 | 2 |
| 61-9390 | Drum - Steering | 19 | 25 | 1 | 70-9880 | Spring | 5 | 50 | 4 |
| 62-2110 | Muffler Assembly | 21 | 10 | 1 | 71-0990 | Fitting - One Way Orifice | 13 | 65 | 1 |
| 62-2130 | Control - Choke | 11 | 20 | 1 | 71-1500 | Brake Assembly | 5 | * | 2 |
| 62-2160 | Pulley - Front Steering | 10 | 8 | 1 | 71-1510 | Arm - Brake R.H. | 5 | 28 | 1 |
| 62-2170 | Washer-Thrust | 19 | 31 | 1 | 71-1510 | Lever - Brake | 1 | 29 | 1 |
| 62-2180 | Steering Cable | 10 | 9 | 1 | 71-3620 | Decal - Engine | 21 | 46 | 1 |
| 62-2190 | Washer - Special | 19 | 17 | 1 | 72-3850 | Seal - Ring | 12 | 50 | 1 |
| 62-2210 | Tank Base | 19 | 12 | 1 | 72-4320 | Switch - Neutral | 20 | 64 | 1 |
| 62-2220 | Caster Fork | 19 | 32 | 1 | 72-4790 | Hold Down - Battery | 20 | 71 | 1 |
| 62-2270 | Exhaust Pipe | 21 | 7 | 1 | 74-3570 | Filter Element | 12 | 49 | 1 |
| 62-2300 | Traction Pump Assembly | 21 | 17 | 1 | 74-3580 | Gas Tank | 19 | 1 | 1 |
| 62-2350 | Wire Harness - Column | 21 | 39 | 1 | 74-3730 | Spacer | 1 | 22 | 2 |
| 62-2420 | Bar - Lift Arm (Center) | 7 | 50 | 1 | 74-3730 | Spacer | 19 | 35 | 2 |
| 62-2440 | Arm - Lift, R.H. | 5 | 31 | 2 | 74-3810 | Load Plate Assembly | 14 | 9 | 1 |
| 62-2460 | Lift Arm - L.H. | 2 | 52 | 1 | 74-3830 | Hose - Pressure, Rear | 23 | 1 | 1 |
| 62-2470 | Hose - Gas Line (Long) | 19 | 2 | 1 | 75-9380 | Decal - Caution | 10 | 3 | 1 |
| 62-2570 | Breather Cap | 12 | 33 | 1 | 75-9440 | Hub Assembly | 19 | 40 | 1 |
| 62-2580 | Spacer | 5 | * | 2 | 75-9990 | Motor - Hydraulic | 5 | 44 | 2 |
| 62-2610 | Screen Assembly | 12 | 36 | 1 | 76-0800 | Seal Kit | 6 | * | 1 |
| 62-2630 | Wire Assembly | 21 | 45 | 1 | 76-0810 | Housing Assembly | 6 | * | 1 |
| 62-2660 | Pad - Foot Step | 1 | 26 | 1 | 76-0840 | Manifold | 6 | 22 | 1 |
| 62-2780 | Spark Arrestor Muffler | 21 | * | 1 | 76-0850 | Bearing - Thrust | 6 | 12 | 1 |
| 62-5070 | Decal - Danger | 5 | 47 | 1 | 76-0860 | Shaft - Coupling | 6 | 11 | 1 |
| 62-5070 | Decal - Danger | 7 | 51 | 1 | 76-0870 | Plate - Wear | 6 | 18 | 1 |
| 62-5070 | Decal - Danger | 2 | 63 | 1 | 76-0880 | Commutator Assembly | 6 | * | 1 |
| 62-5550 | Decal - Toro | 10 | 33 | 2 | 76-0940 | End Cover Assembly | 6 | 24 | 1 |
| 63-3810 | Hose - Pressure R.H. | 23 | 30 | 1 | 76-0960 | Link - Drive | 6 | 13 | 7 |
| 63-3820 | Hose - Return R.H. | 23 | 28 | 1 | 76-0970 | Rotor Set | 6 | * | 1 |
| 63-3830 | Hose - Return L.H. | 23 | 24 | 1 | 76-1010 | Screw - Cap, Hex. Hd. | 6 | 14 | 1 |
| 63-3840 | Hose -Return, Rear | 23 | 2 | 1 | 76-1720 | Gasket - Filler Cap | 13 | 67 | 1 |
| 63-3850 | Hose - Cylinder - Drop L.H. | 23 | 17 | 1 | 76-1850 | Clevis | 4 | 14 | 1 |
| 63-3870 | Hose - Pressure L.H. | 23 | 23 | 1 | 76-1860 | Shaft with Clevis | 4 | 7 | 1 |
| 63-3880 | Hose - Cylinder, Lift R.H. | 23 | 9 | 1 | 76-2660 | Tube - Spacer | 10 | 27 | 1 |
| 63-3890 | Hose - Cylinder - Lift L.H. | 23 | 18 | 1 | 77-0480 | Screw - Accelerator Stop | 8 | 60 | 1 |
| 63-3900 | Hose - Pump #3 | 23 | 7 | 1 | 82-5570 | Gasket - Exhaust | 21 | 3 | 1 |
| 63-3910 | Hose -Pump #2 | 23 | 13 | 1 | 83-0060 | Lift Pivot | 2 | 64 | 1 |
| 63-3920 | Hose - Pump #1 | 23 | 14 | 1 | 83-0080 | Spring - Lift Pivot | 2 | 65 | 1 |
| 63-3930 | Hose Cylinder - Drop, Rear | 23 | 6 | 1 | 83-0140 | Foot Pedal | 3 | 85 | 1 |
| 63-3940 | Hose - Pump #4 | 23 | 12 | 1 | 83-0160 | Shaft - Brake | 1 | 8 | 1 |
| 63-3950 | Hose -Cylinder - Drop L.H. | 23 | 22 | 1 | 83-0540 | Rod - Accelerator | 7 | 4 | 1 |
| 63-4020 | Pressure Line | 23 | 25 | 1 | 83-0820 | Ammeter Assembly | 11 | 4 | 1 |
| 63-4030 | Pressure Line | 23 | 27 | 1 | 83-1200 | Tube - Traction Lower L.H. | 23 | 15 | 1 |
| 63-4040 | Return Line - R.H. | 23 | 26 | 1 | 83-1700 | Bushing - Flange | 7 | 27 | 3 |
| 63-4050 | Fitting Traction Upper | 12 | 10 | 2 | 83-1890 | Switch - Ball | 16 | 54 | 1 |
| 63-4060 | Brazed Tube Assembly | 12 | 8 | 1 | 83-1890 | Switch - Ball | 18 | 60 | 1 |
| 63-4080 | Manifold Drain Orifice | 12 | 2 | 1 | 83-2460 | Hose - Traction Lower R.H. | 23 | 16 | 1 |
| 63-4090 | 90° Fitting - Extended | 13 | 54 | 1 | 83-2590 | Bolt - Shoulder | 3 | 91 | 1 |
| 63-7400 | Washer - Flat | 21 | 37 | 4 | 83-7000 | Hydraulic Cylinder Assy. | 7 | 37 | 1 |
| 63-8360 | Key | 11 | 8 | 1 | 84-2000 | Bracket - Brake | 5 | 11 | 2 |
| 63-8750 | Pin - Pivot | 5 | 36 | 2 | 84-2203 | Control Valve | 13 | 57 | 1 |
| 63-8750 | Pin - Pivot | 2 | 48 | 1 | 84-2203 | Control Valve Assembly | 18 | * | 1 |
| 63-8750 | Pin - Pivot | 7 | 48 | 1 | 84-8290 | Cylinder - Hydraulic | 1 | 16 | 2 |
| 65-4860 | Head | 4 | 10 | 1 | 85-6540 | Stud - Drive Type | 5 | 6 | 8 |
| 65-5871 | Tube | 10 | 43 | 1 | 86-5360 | Seal Repair Kit | 9 | * | 1 |
| 65-5890 | Cap | 10 | 45 | 2 | 86-5390 | Seal Repair Kit | 4 | * | 1 |
| 66-2950 | Hour Meter Assembly | 11 | 2 | 1 | 86-9820 | Pull Frame - Rear | 8 | 57 | 1 |
| 68-5100 | Rod - Seat | 10 | 49 | 1 | 88-6900 | Plate - Footrest | 8 | 67 | 1 |
| 68-5310 | Clip Seat | 10 | 51 | 1 | 88-9630 | Lift Pivot Bracket - R.H. | 3 | 87 | 1 |
| 68-5880 | Return Line - Man. to Filter | 23 | 20 | 1 | 88-9640 | Lift Pivot Bracket - L.H. | 1 | 13 | 1 |
| 68-9910 | Panel - Control | 11 | 12 | 1 | 88-9660 | Shaft - Cutting Control | 1 | 11 | 1 |
| 68-9930 | Control - Throttle | 11 | 21 | 1 | 88-9670 | Lift Arm - Center | 7 | 40 | 1 |
| 68-9940 | Decal - Control Panel | 11 | 14 | 1 | 88-9680 | Wire Harness - Traction | 21 | 41 | 1 |
| 69-9760 | Plate - Cover | 3 | 90 | 1 | 88-9690 | Wire Harness - Frame | 21 | 40 | 1 |
| 70-2770 | Head | 9 | 10 | 1 | 92-0585 | Pull Arm Assembly - R.H. | 2 | 69 | 3 |
| 70-2780 | Piston | 9 | 5 | 1 | 92-0586 | Pull Arm Assembly - L.H. | 2 | 59 | 3 |
| 70-7130 | Traction Line - Upper L.H. | 23 | 19 | 1 | 92-1180 | Seat Assembly | 10 | * | 1 |
| 70-7150 | Traction Hose - Lower L.H. | 23 | 5 | 1 | 92-1192 | Frame | 7 | 19 | 1 |
| 70-8600 | Traction Hose - Upper R.H. | 23 | 4 | 1 | 92-1194 | Plate - Traction | 8 | 63 | 1 |
| 70-8610 | Hose - Traction, Upper L.H. | 23 | 33 | 1 | 92-1195 | Decal - Service | 10 | 53 | 1 |

*Not Illustrated

TORO PART NUMBER INDEX (Cont.)

| Part No. | Description | Pg. Ref. No. No. Qty. | Part No. | Description | Pg. Ref. No. No. Qty. |
|----------|-------------------------------|--------------------------|----------|------------------------|--------------------------|
| 92-1199 | Decal - Greensmaster 3000 | 2 78 1 | 237-58 | O-Ring | 12 3 A/R |
| 92-1699 | Cap - Battery (Flush) | 20 78 1 | 237-65 | O-Ring | 5 14 4 |
| 92-1707 | Cap - Battery (Poison) | 20 74 1 | 237-65 | O-Ring | 13 66 4 |
| 92-2545 | Seals - Spool | 16 * 1 | 237-78 | O-Ring | 9 1 2 |
| 92-2545 | Seals - Spool | 18 * 1 | 237-78 | O-Ring | 1 17 4 |
| 92-2546 | Wiper - Seal | 15 25 4 | 237-79 | O-Ring | 12 6 8 |
| 92-2546 | Wiper - Seal | 18 64 5 | 237-79 | O-Ring | 21 20 1 |
| 92-2547 | Plate - Seal Retainer | 17 18 6 | 237-80 | O-Ring | 5 12 4 |
| 92-2547 | Plate - Seal Retainer | 15 24 4 | 237-80 | O-Ring | 12 13 2 |
| 92-2548 | Seal - Spool (Single End Set) | 18 * 1 | 237-81 | O-Ring | 12 1 1 |
| 92-2548 | Seal - Spool Single | 16 * 1 | 237-100 | Grommet | 11 19 1 |
| 92-2549 | Seals - End Set #4 Only | 18 * 1 | 237-101 | O-Ring | 12 24 1 |
| 92-3048 | Spring - Centering | 15 41 1 | 237-136 | Grommet | 19 11 4 |
| 92-3148 | Spring | 17 23 1 | 237-148 | Seal - Quad Ring | 19 30 1 |
| 92-6533 | Kit - Cushion | 10 24 1 | 237-149 | O-Ring - Seal | 19 26 1 |
| 92-6534 | Shell | 10 25 1 | 242-50 | Nut - Wheel | 5 1 8 |
| 92-8795 | Body Assembly | 14 10 1 | 242-50 | Nut - Wheel | 19 44 4 |
| 92-8796 | Pin - Dowel | 14 14 2 | 2410-18 | Plug | 24 2 1 |
| 92-8863 | Repair Kit | 14 * 1 | 2411-32 | Ball Joint | 8 62 2 |
| 92-9176 | Pull Frame - L.H. | 2 71 1 | 2412-3 | Clamp - Hose | 23 21 2 |
| 92-9177 | Frame - Pull, R.H. | 5 37 1 | 2412-3 | Clamp - Hose | 12 26 8 |
| 93-1386 | Section #5 Assembly | 18 * 1 | 2412-36 | Clamp - Gas Line | 20 77 2 |
| 93-2554 | Bushing - Needle | 12 17 1 | 2412-41 | Clip | 11 16 1 |
| 93-2555 | Fitting - Hydraulic Valve | 13 55 1 | 2412-41 | R-Clamp | 23 34 3 |
| 93-2556 | Needle Valve Assembly | 13 * 1 | 2412-76 | Muffler Clamp Assembly | 21 11 1 |
| 93-3651 | Retainer - Boot | 15 22 2 | 2412-102 | R-Clamp | 10 44 2 |
| 93-3651 | Retainer - Boot | 17 47 3 | 2412-108 | Clamp - Hose | 19 3 4 |
| 93-3652 | Boot - Spool Assembly | 16 * 2 | 251-141 | Bearing - Ball | 2 67 6 |
| 93-3652 | Boot - Spool Assembly | 18 * 3 | 253-111 | Seal | 19 36 2 |
| 93-7629 | Foot Pad - Brake | 1 4 1 | 254-78 | Cone | 19 37 2 |
| 93-7630 | Foot Pad - Mow | 1 6 1 | 254-79 | Cup | 19 38 2 |
| 93-7631 | Foot Pad - Lift | 1 9 1 | 256-2 | Bushing | 10 14 4 |
| 93-8075 | Decal - Mow/Lift | 1 10 1 | 256-2 | Bushing | 8 54 2 |
| 93-9346 | Clamp - Hose, Pressure | 23 39 6 | 256-113 | Bushing | 10 6 2 |
| 93-9347 | Clamp - Hose, Return | 23 40 6 | 256-155 | Bushing | 10 37 2 |
| 93-9934 | Handle - Traction | 7 21 1 | 256-219 | Bushing | 8 65 2 |
| 93-9936 | Bracket - Return, Traction | 5 54 1 | 256-251 | Bushing | 7 22 2 |
| 93-9937 | Asm. - Cable, Traction | 5 57 1 | 256-290 | Bushing | 7 25 2 |
| 93-9937 | Asm. - Cable, Traction | 8 69 1 | 281-1 | Plug - Oil | 12 45 1 |
| 94-2691 | Screw - HWH | 10 26 1 | 282-2 | Yoke | 2 33 4 |
| 94-2959 | Ball Joint Receiver Assy. | 2 56 6 | 282-2 | Yoke | 5 21 2 |
| 94-3506 | Reel Motor | 13 51 3 | 283-1 | Pin - Clevis | 2 34 4 |
| 94-3507 | Cover Assembly | 14 4 1 | 283-8 | Pin - Clevis | 1 27 2 |
| 94-3508 | Drive Shaft Assembly | 14 7 1 | 283-57 | Pin - Clevis | 7 18 1 |
| 94-3509 | Idler Gear Assembly | 14 6 1 | 283-62 | Pin - Clevis | 5 42 2 |
| 94-4248 | Collar Spool | 17 26 1 | 283-62 | Pin - Clevis | 8 70 1 |
| 94-5434 | Spool #5 | 17 1 1 | 302-2 | Fitting - Grease | 4 1 2 |
| 94-5586 | Bar - Lift Arm L.H. | 2 46 1 | 302-5 | Fitting - Grease | 7 26 1 |
| 94-5588 | Bar - Arm Lift, R.H. | 5 35 1 | 302-5 | Fitting - Grease | 19 33 1 |
| 94-6960 | Clamp - Ammeter | 11 24 1 | 302-5 | Fitting - Grease | 2 58 8 |
| 217-60 | Rim | 5 3 2 | 302-11 | Fitting - Grease | 7 41 1 |
| 217-60 | Rim | 19 41 1 | 302-11 | Fitting - Grease 45° | 2 38 |
| 218-461 | Nut - Hex | 11 7 1 | 302-60 | Fitting - Grease | 1 20 4 |
| 218-461 | Nut - Jam | 20 57 2 | 302-60 | Fitting - Grease | 5 30 1 |
| 218-489 | Fuse Holder | 11 1 1 | 302-60 | Fitting - Grease | 7 39 1 |
| 231-124 | Tire - Treaded | 5 * 2 | 304-61 | Clamp | 13 60 1 |
| 232-24 | Valve Stem - With Cap | 19 43 1 | 321-3 | Screw - Cap, Hex Hd. | 12 44 2 |
| 232-24 | Valve Stem w/Cap | 5 52 2 | 321-3 | Screw - Cap, Hex Hd. | 20 70 2 |
| 232-37 | Inner Tube - Heavy Duty | 5 * 2 | 321-3 | Screw - Cap, Hex. Hd. | 11 11 1 |
| 233-48 | Knob | 7 20 1 | 321-3 | Screw - Cap, Hex. Hd. | 23 36 1 |
| 233-50 | Knob | 11 9 2 | 321-3 | Screw - Cap, Hex. Hd. | 10 52 1 |
| 237-7 | O-Ring | 20 58 1 | 321-5 | Screw - Cap, Hex. Hd. | 5 8 8 |
| 237-21 | O-Ring | 12 9 7 | 321-18 | Screw - Cap, Hex Hd. | 10 2 1 |
| 237-21 | O-Ring | 1 19 1 | 321-23 | Screw - Cap, Hex Hd. | 3 86 1 |
| 237-22 | O-Ring | 12 7 A/R | 322-1 | Screw - Cap, Hex Hd. | 7 34 2 |
| 237-22 | O-Ring | 21 24 2 | 322-1 | Screw - Cap, Hex. Hd. | 1 25 6 |
| 237-30 | O-Ring | 12 5 A/R | 322-1 | Screw - Cap, Hex. Hd. | 5 38 1 |
| 237-30 | O-Ring | 21 18 1 | 322-2 | Screw - Cap, Hex Hd. | 12 23 2 |
| 237-30 | O-Ring | 20 63 1 | 322-3 | Screw - Cap, Hex Hd. | 19 15 1 |
| 237-42 | O-Ring | 12 11 A/R | 322-3 | Screw - Cap, Hex. Hd. | 10 46 2 |
| 237-42 | O-Ring | 21 22 3 | 322-4 | Screw - Cap, Hex Hd. | 12 22 2 |
| 237-54 | O-Ring | 17 3 6 | 322-4 | Screw - Cap, Hex. Hd. | 11 18 1 |
| 237-54 | O-Ring | 15 6 8 | 322-5 | Screw - Cap, Hex Hd. | 7 11 2 |

*Not Illustrated

TORO PART NUMBER INDEX (Cont.)

| Part No. | Description | Pg. No. | Ref. No. | Qty. | Part No. | Description | Pg. No. | Ref. No. | Qty. |
|----------|---------------------------|---------|----------|------|-----------|----------------------------|---------|----------|------|
| 322-5 | Screw - Cap, Hex Hd. | 19 | 20 | 1 | 3256-23 | Washer - Plain | 5 | 39 | 1 |
| 322-6 | Screw - Cap, Hex Hd. | 21 | 30 | 4 | 3256-24 | Washer - Flat | 2 | 39 | 15 |
| 322-14 | Screw - Cap, Hex Hd. | 13 | 63 | 3 | 3256-24 | Washer - Flat | 7 | 44 | 2 |
| 323-6 | Screw - Cap, Hex Hd. | 19 | 14 | 2 | 3256-24 | Washer - Flat | 7 | 47 | 4 |
| 323-6 | Screw - Cap, Hex Hd. | 10 | 19 | 2 | 3256-26 | Washer - Flat | 10 | 16 | 4 |
| 323-8 | Screw - Cap, Hex Hd. | 21 | 16 | 2 | 3256-26 | Washer - Flat | 5 | 33 | 3 |
| 323-10 | Screw - Cap, Hex Hd. | 1 | 14 | 4 | 3256-26 | Washer - Flat | 2 | 43 | 1 |
| 323-15 | Screw - Cap, Hex Hd. | 21 | 34 | 1 | 3256-26 | Washer - Flat | 7 | 52 | 1 |
| 323-20 | Screw - Cap, Hex Hd. | 21 | 35 | 3 | 3257-42 | Key - Woodruff | 6 | 17 | 1 |
| 324-6 | Screw - Cap, Hex Hd. | 21 | 14 | 4 | 3257-42 | Key - Woodruff | 5 | 45 | 2 |
| 325-3 | Screw - Cap, Hex Hd. | 10 | 17 | 4 | 3272-4 | Pin - Cotter | 7 | 23 | 1 |
| 325-11 | Screw - Cap, Hex Hd. | 5 | 10 | 8 | 3272-6 | Pin - Cotter | 2 | 32 | 4 |
| 3211-1 | Screw - Cap, Hex Hd. | 7 | 42 | 2 | 3272-10 | Pin - Cotter | 5 | 43 | 2 |
| 3217-5 | Nut - Hex | 19 | 29 | 2 | 3272-10 | Pin - Cotter | 8 | 71 | 1 |
| 3217-6 | Nut - Full | 5 | 56 | 1 | 3272-11 | Pin - Cotter | 1 | 21 | 3 |
| 3217-6 | Nut - Hex | 21 | 9 | 2 | 3272-11 | Pin - Cotter | 5 | 32 | 2 |
| 3217-7 | Nut - Hex | 15 | 33 | 3 | 3272-11 | Pin - Cotter | 10 | 48 | 1 |
| 3217-16 | Nut - Hex. | 11 | 33 | 3 | 3272-11 | Pin - Cotter | 8 | 53 | 1 |
| 3217-25 | Nut | 11 | 29 | 2 | 3274-12 | Screw - Hex Socket Hd. | 10 | 21 | 4 |
| 3217-27 | Nut | 11 | 3 | 2 | 3274-15 | Screw - Fillister Hd. | 15 | 43 | 2 |
| 3218-2 | Nut - Jam | 19 | 23 | 2 | 3274-52 | Screw - Hex, Socket Hd. | 15 | 20 | 4 |
| 3218-13 | Nut - Jam | 19 | 54 | 2 | 3274-52 | Screw - Hex, Socket Hd. | 17 | 45 | 6 |
| 3219-2 | Nut - Full | 5 | 53 | 1 | 3274-54 | Screw - Set, Socket Hd. | 12 | 28 | 2 |
| 3219-2 | Nut - Hex. | 25 | 6 | 1 | 3274-70 | Screw - Hex, Socket Hd. | 15 | 1 | 2 |
| 3219-14 | Nut - Hex | 19 | 49 | 2 | 3274-84 | Screw - Cap, Hex. Hd. | 18 | 58 | 4 |
| 3219-18 | Nut - Hex. | 24 | 2 | 1 | 3284-3 | Pin Groove | 19 | 48 | 1 |
| 3220-2 | Nut | 5 | 20 | 1 | 3290-314 | Tinnerman Push-On | 10 | 41 | 2 |
| 3220-2 | Nut - Hex | 2 | 35 | 4 | 3290-317 | Washer - Spring | 2 | 68 | 6 |
| 3220-2 | Nut - Hex, Jam | 8 | 64 | 2 | 3290-379 | Tie - Cable | 23 | 8 | 6 |
| 3220-3 | Nut - Hex, Jam | 2 | 57 | 6 | 3296-4 | Nut - Lock | 19 | 19 | 2 |
| 3220-6 | Nut - Jam | 4 | 15 | 1 | 3296-4 | Nut - Lock | 8 | 61 | 2 |
| 3229-22 | Bolt - Carriage | 3 | 84 | 2 | 3296-16 | Nut - Hex | 2 | 72 | 3 |
| 3234-1 | Screw - Flange, Hex. Hd. | 7 | 12 | 4 | 3296-16 | Nut - Lock | 23 | 37 | 1 |
| 3234-1 | Screw - Hex, Flange Hd. | 1 | 5 | 4 | 3296-16 | Nut - Lock | 10 | 40 | 1 |
| 3234-4 | Screw - Cap, Hex. Hd. | 5 | 18 | 4 | 3296-16 | Nut - Lock | 10 | 50 | 1 |
| 3241-2 | Screw - Set, Sq. Hd. | 21 | 32 | 2 | 3296-16 | Nut - Lock, Flange | 5 | 41 | 3 |
| 3241-6 | Screw - Set, Sq. Hd. | 21 | 29 | 2 | 3296-16 | Nut - Hex | 12 | 40 | 4 |
| 3242-9 | Screw - Set, Sq. Hd. | 19 | 24 | 2 | 3296-23 | Nut - Lock | 5 | 25 | 8 |
| 3250-36 | Screw - Phil. Hd. | 19 | 13 | 4 | 3296-29 | Nut - Lock | 21 | 4 | 4 |
| 3253-3 | Washer - Lock | 12 | 42 | 2 | 3296-29 | Nut - Lock | 10 | 36 | 4 |
| 3253-3 | Washer - Lock | 18 | 57 | 4 | 3296-29 | Nut - Lock | 7 | 45 | 2 |
| 3253-3 | Washer - Lock | 2 | 73 | 2 | 3296-29 | Nut - Lock | 5 | 55 | 1 |
| 3253-4 | Washer - Lock | 21 | 8 | 2 | 3296-29 | Nut - Lock | 20 | 76 | 1 |
| 3253-4 | Washer - Lock | 19 | 16 | 4 | 3296-39 | Nut - Lock | 10 | 11 | 2 |
| 3253-4 | Washer - Lock | 12 | 19 | 3 | 3296-39 | Nut - Lock | 19 | 27 | 2 |
| 3253-4 | Washer - Lock | 10 | 47 | 2 | 3296-39 | Nut - Lock | 21 | 33 | 4 |
| 3253-6 | Washer - Lock | 21 | 13 | 4 | 3296-39 | Nut - Lock | 2 | 44 | 1 |
| 3253-21 | Washer - Lock | 21 | 15 | 2 | 3296-42 | Nut - Lock | 5 | 9 | 8 |
| 3253-21 | Washer - Lock | 10 | 18 | 2 | 3296-59 | Nut - Hex. | 2 | 41 | 8 |
| 3253-21 | Washer - Lock | 2 | 40 | 8 | 3296-59 | Nut - Lock | 7 | 46 | 4 |
| 3253-23 | Washer - Flat | 11 | 17 | 1 | 3296-67 | Nut - Lock | 19 | 45 | 1 |
| 3254-1 | Washer - Lock | 19 | 50 | 2 | 32103-12 | Nut - Wing | 20 | 73 | 2 |
| 3254-2 | Washer - Lock, Int. Tooth | 13 | 64 | 1 | 32104-76 | Screw - Tapping, Acorn Hd. | 10 | 4 | 15 |
| 3254-5 | Washer - Lock | 11 | 6 | 1 | 32105-8 | Screw - Machine, Rd. Hd. | 11 | 22 | 4 |
| 3254-6 | Washer - Lock | 7 | 43 | 2 | 32108-100 | Screw - Mach. Phillips Hd. | 5 | 15 | 3 |
| 3254-6 | Washer - Lock | 21 | 47 | 1 | 32120-8 | Ring - Retaining Internal | 4 | 11 | 1 |
| 3254-10 | Washer - Lock, Ext. Tooth | 11 | 31 | 2 | 32121-6 | Pin - Roll | 1 | 1 | 1 |
| 3255-7 | Washer - Lock, Int. Tooth | 11 | 30 | 1 | 32121-6 | Pin - Roll | 7 | 15 | 1 |
| 3255-8 | Washer - Lock, Int. Tooth | 25 | 9 | 1 | 32121-34 | Pin - Roll | 10 | 7 | 1 |
| 3255-20 | Washer - Lock ETLW | 11 | 28 | 2 | 32121-35 | Pin - Roll | 1 | 12 | 8 |
| 3255-24 | Washer - Lock, Int. Tooth | 11 | 32 | 3 | 32121-45 | Pin - Roll | 1 | 3 | 3 |
| 3256-4 | Washer - Flat | 10 | 12 | 4 | 32121-45 | Pin - Roll | 7 | 1 | 2 |
| 3256-22 | Washer - Flat | 12 | 29 | 2 | 32121-45 | Pin - Roll | 10 | 35 | 1 |
| 3256-22 | Washer - Flat | 23 | 38 | 1 | 32122-35 | Screw - Truss Head | 25 | 8 | 1 |
| 3256-22 | Washer - Flat | 19 | 52 | 2 | 32128-20 | Nut - Hex | 12 | 18 | 3 |
| 3256-22 | Washer - Flat | 20 | 72 | 2 | 32128-20 | Nut - Hex | 8 | 59 | 1 |
| 3256-22 | Washer - Flat | 2 | 80 | 1 | 32128-20 | Nut - Lock | 11 | 10 | 1 |
| 3256-23 | Washer - Flat | 21 | 12 | 6 | 32128-20 | Nut - Lock, Flange | 25 | 3 | 1 |
| 3256-23 | Washer - Flat | 12 | 21 | 5 | 32141-111 | Nut - Hex Hd. Flange | 3 | 83 | 1 |
| 3256-23 | Washer - Flat | 10 | 22 | 6 | 32144-1 | Screw - Thread Forming | 21 | 38 | 8 |
| 3256-23 | Washer - Flat | 7 | 32 | 2 | 32144-14 | Screw - Cap, Hex. Hd. | 8 | 66 | 1 |
| 3256-23 | Washer - Flat | 20 | 75 | 1 | 32144-34 | Screw | 12 | 35 | 6 |
| 3256-23 | Washer - Plain | 1 | 24 | 6 | 32149-2 | Nut - Lock | 19 | 51 | 2 |

*Not Illustrated

TORO PART NUMBER INDEX (Cont.)

| Part No. | Description | Pg. Ref. No. No. Qty. | Part No. | Description | Pg. Ref. No. No. Qty. |
|----------|---------------------------|--------------------------|----------|------------------------------|--------------------------|
| 32149-2 | Nut - Lock, Keys | 11 15 1 | 353-733 | Spacer - Bonnet | 17 19 2 |
| 32149-7 | Nut - Lock | 11 23 1 | 353-737 | Ball | 18 63 1 |
| 32151-41 | Ring - Retaining | 14 13 1 | 353-754 | Bonnet - R. Detent | 15 42 1 |
| 32152-10 | Nut | 9 3 1 | 353-758 | Seal - O-Ring | 15 31 1 |
| 32152-10 | Nut-Lock | 4 3 1 | 353-760 | Body Relief | 15 30 1 |
| 3333-975 | Cable Tie | 23 31 1 | 353-762 | Spud - Detent Out | 15 50 1 |
| 340-6 | Fitting - Straight | 21 19 1 | 353-763 | Cap - Adjustment | 15 44 1 |
| 340-14 | Fitting | 5 13 4 | 353-766 | Relief WH (2000) PSI Assy. | 16 * 1 |
| 340-16 | 90° Fitting | 12 4 1 | 353-768 | Section #1 Complete | 16 * 1 |
| 340-18 | 90° Elbow | 12 12 1 | 353-772 | Left End Cover | 15 34 1 |
| 340-77 | 90° Elbow | 13 52 3 | 353-780 | Positioner - R. Detent (Out) | 16 * 1 |
| 340-77 | 90° Fitting | 21 21 1 | 353-808 | Collar - Spring | 17 24 1 |
| 340-87 | 45° Fitting | 21 23 2 | 353-830 | O-Ring | 17 25 1 |
| 340-87 | 45° Fitting | 13 58 2 | 353-831 | Spring | 17 21 1 |
| 340-92 | Fitting - Orifice Str. | 23 32 1 | 353-833 | Positioner Assembly | 18 * 1 |
| 340-92 | Fitting - Straight | 1 18 1 | 353-835 | Seals - Section Set | 16 * 1 |
| 340-98 | 90° Elbow | 13 59 3 | 353-835 | Seals - Section Set | 18 * 1 |
| 340-101 | 45° Fitting | 12 16 2 | 353-837 | Section #2 Complete | 16 * 1 |
| 340-103 | 45° Elbow Adjustable | 23 11 1 | 353-839 | Positioner - DI (SPL) Assy. | 16 * 1 |
| 351-78 | Edging | 10 29 2 | 353-840 | Position - DI (SP) Assy. | 18 * 1 |
| 353-301 | Poppet | 15 27 1 | 353-841 | Position - Spool Assembly | 18 * 1 |
| 353-302 | O-Ring | 17 7 3 | 353-844 | Plug Series | 18 55 1 |
| 353-302 | O-Ring | 15 10 3 | 353-845 | Sleeve - Detent | 17 41 1 |
| 353-303 | Ring - Backup | 17 8 6 | 353-846 | Spud - DI (SPL) | 17 40 1 |
| 353-303 | Ring - Backup | 15 9 6 | 353-847 | Bonnet (SPL) | 17 38 1 |
| 353-304 | Spring | 15 28 1 | 353-848 | O-Ring | 17 14 1 |
| 353-305 | O-Ring | 17 5 5 | 353-849 | Sleeve | 17 39 1 |
| 353-305 | O-Ring | 15 8 4 | 353-850 | O-Ring | 18 56 1 |
| 353-306 | Ring - Backup | 17 4 5 | 353-851 | Body - Relief CP-RC Mod. | 15 12 1 |
| 353-306 | Ring - Backup | 15 7 4 | 353-851 | Body - Relief CP-RC Mod. | 17 29 2 |
| 353-328 | Washer - Shim | 15 15 A/R | 353-853 | Bolt - Hex Hd. | 17 10 3 |
| 353-328 | Washer - Shim | 17 32 A/R | 353-855 | Spring | 15 18 2 |
| 353-329 | Washer - Shim | 15 16 A/R | 353-855 | Spring | 17 44 1 |
| 353-329 | Washer - Shim | 17 33 A/R | 353-884 | Key - Woodruff | 22 11 4 |
| 353-330 | Washer - Shim | 15 17 A/R | 353-886 | Ring - Retaining | 22 12 2 |
| 353-330 | Washer - Shim | 17 34 A/R | 353-916 | Flange Assembly | 22 3 1 |
| 353-331 | O-Ring | 15 29 1 | 353-917 | O-Ring | 22 4 1 |
| 353-334 | Cap - Relief | 15 19 2 | 353-918 | Body Assembly | 22 5 1 |
| 353-334 | Cap - Relief | 17 36 2 | 353-921 | Plate Assembly | 22 13 1 |
| 353-392 | Seal - Relief Poppet PTFE | 15 13 2 | 353-922 | Seal Ring - Pump | 22 14 8 |
| 353-392 | Seal - Relief Poppet PTFE | 17 30 2 | 353-923 | Plate Assembly | 22 16 2 |
| 353-398 | Spring | 17 35 1 | 353-927 | Cover Assembly | 22 17 1 |
| 353-417 | Collar Spring | 17 20 2 | 353-931 | Seal - Oil | 22 2 1 |
| 353-417 | Collar Spring | 15 40 2 | 353-952 | Ring - Backup | 15 32 1 |
| 353-481 | Plug - Load Check | 17 2 2 | 353-953 | Plug Assembly | 18 54 1 |
| 353-481 | Plug - Load Check | 15 5 3 | 353-957 | Seal - Lip | 17 15 6 |
| 353-483 | Body - Anticavitation | 18 61 1 | 353-957 | Seal - Lip | 15 26 4 |
| 353-484 | Retainer - Ball | 18 62 1 | 353-958 | Ring - Backup | 17 16 1 |
| 353-529 | Plate Seal | 17 22 1 | 353-961 | Flange Adaptor | 12 31 1 |
| 353-531 | Poppet Assembly | 17 31 2 | 353-962 | Cap and Chain Assembly | 12 34 1 |
| 353-531 | Poppet Assy. | 15 14 2 | 353-963 | Gasket | 12 37 2 |
| 353-550 | Plug Assembly | 17 13 1 | 353-964 | Gear - 66B | 22 8 2 |
| 353-563 | Fitting - Straight | 12 25 1 | 353-965 | Idler Shaft Assembly | 22 9 1 |
| 353-564 | 90° Fitting | 13 53 1 | 353-966 | Screw - Cap, Hex Hd. | 22 18 4 |
| 353-575 | Boot - Dust Cap | 15 21 2 | 353-967 | Gear - 33B | 22 20 5 |
| 353-575 | Boot - Dust Cap | 17 46 3 | 353-968 | Dowel | 22 21 6 |
| 353-579 | Spring | 15 45 1 | 353-969 | Gear Plate - 30B | 22 15 3 |
| 353-599 | Pin - Dowel | 14 3 2 | 353-970 | Dowel | 22 6 2 |
| 353-600 | Washer - Flat | 22 19 4 | 353-971 | Gear Plate - Pump | 22 7 1 |
| 353-642 | Relief - RC Mod. | 16 * 2 | 353-972 | Shaft - Drive | 22 10 1 |
| 353-642 | Relief - RC Mod. Assembly | 18 * 1 | 354-25 | Section #4 Assembly | 18 * 1 |
| 353-668 | Plate - Cap, Cover RH | 17 11 1 | 354-26 | Bonnet | 17 27 2 |
| 353-721 | Plug | 15 35 2 | 354-28 | Screw - Hex, Socket Hd. | 17 28 2 |
| 353-727 | Bonnet | 15 2 1 | 354-29 | Plate - Thrust | 15 48 1 |
| 353-728 | Sleeve | 15 49 1 | 354-46 | Ring - Seal | 14 8 1 |
| 353-729 | Spud - Detent | 15 3 1 | 354-50 | Screw - Hex, Socket Hd. | 14 1 4 |
| 353-730 | Spring | 17 42 1 | 354-51 | Washer | 14 2 4 |
| 353-731 | Ball | 17 43 1 | 354-122 | Disc - Seal | 18 52 1 |
| 353-732 | Sleeve - Detent | 16 52 1 | 354-129 | Anticavitation Check Assy. | 18 * 1 |
| 353-733 | Spacer - Bonnet | 15 4 1 | 354-131 | Section #3 Assembly | 18 * 1 |

*Not Illustrated

PRODUCT CHANGES

In an effort to make improvements available to TORO owners as quickly as possible minor changes are incorporated into Toro's products from time to time that do not become immediately shown in the Parts Catalog. If such a change has been made in your unit which is not reflected in your manual see your TORO Distributor or his Authorized TORO Service Dealer for information and part numbers.

IDENTIFICATION AND ORDERING

MODEL AND NUMBERS

The Greensmaster 3000 has two identification numbers; a model number and a serial number. The two numbers are stamped on a plate which is located on the main frame under the seat. In any correspondence concerning the Greensmaster 3000 supply model and serial numbers to assure that correct information and replacement parts are obtained.

To order replacement parts from an Authorized TORO Service Dealer supply the following information:

1. Model and serial number of the Greensmaster 3000.
2. Part number description and the quantity of part(s) desired.

NOTE: Do not order by reference number if a parts catalog is being used; use the PART NUMBER.

TABLE OF CONTENTS

| Description | Page | Description | Page |
|--|-------|-------------------------------------|-------|
| Foot Pedals and Roller Assembly | 1—3 | Control Valve Assembly No. 84—2203 | |
| Hydraulic Cylinder No. 84—8290 | 4 | Section 3 thru 5 | 17—18 |
| Wheel and Brake Assembly | 5 | Gas Tank, Battery and Caster Wheel | |
| Hydraulic Drive Motor No. 75—9990 | 6 | Assembly | 19—20 |
| Frame Assembly | 7—8 | Engine and Wiring Diagram | 21 |
| Rear Hydraulic Cylinder No. 83—7000 | 9 | Traction Pump No. 62—2300 | 22 |
| Steering and Seat Assembly | 10 | Hydraulic Systems Diagram | 23 |
| Instrument and Panel Assembly | 11 | Special Tools | 24—25 |
| Valve Bank and Hydraulic Reservoir Assy. | 12—13 | Engine Assembly | |
| Reel Motor No. 94—3506 | 14 | Kohler Model MI6S—711533 | 26—34 |
| Control Valve Assembly No. 84—2203 | | TORO Part Number Index | 35—39 |
| Section 1 and 2 | 15—16 | | |