



Count on it.

Parts Catalog

**Commercial Walk-Behind Mower
16HP, T-Bar, Gear Drive with 91cm TURBO
FORCE® Cutting Unit**

Model No. 30070—Serial No. 312000001 and Up



Ordering Replacement Parts

To order replacement parts, please supply the part number, the quantity, and the description of each part desired.

Understanding Reference Numbers

Each identified part in an illustration has a reference number. The reference number for a part also appears in the parts list, along with other information about the part.

This catalog uses two special reference number formats, one to indicate parts in a service assembly and another to indicate the quantity of a given part in an illustration.

Service Assembly Reference Numbers

Parts in service assemblies have reference numbers in the form a:b. The a represents the reference number of the entire service assembly and the b represents a sequential number unique to each part within the service assembly.

For example, a wheel assembly might be identified by reference number 6, the tire by 6:1, the valve by 6:2, and the wheel by 6:3. When you order the assembly identified by reference number 6, you receive all parts identified by reference numbers 6:1, 6:2, and 6:3. However, you may also order any part individually. Reference numbers of this type appear in illustration and in parts lists.

Reference Numbers Indicating Quantity

In an illustration, if a reference number indicates more than one part, the reference number has the form nX y. The n represents the quantity of the part, the X is the multiplication symbol, and the y represents the reference number.

For example, in an illustration, the reference number 2X 37 means that two of the parts identified by reference number 37 are indicated.

List of Abbreviations

AR: as required

ASM: assembly

BBC: blade brake control

BHTF: button head thread forming

CARR: carriage

CCW: counter clockwise

CW: clockwise

DEG: degrees

DPA: Dual Point Adjustment

ECM: electronic control module

EXT: external

FH: flat head

GA: gauge

HD: heavy-duty

HF: hex flange

HH: hex head

HHF: hex head flange

HHFTF: hex head flange thread forming

HJ: hex jam

HLH: hex lag head

HOC: height-of-cut

HSBH: hex socket button head

HSFH: hex socket flat head

HSH: hex socket head

HWH: hex washer head

HWHTF: hex washer head thread forming

HYD: hydraulic

LH: left hand

LPG: Liquid Propane Gas

NI: nylon insert

NPTF: national pipe thread fine

PFH: phillips flat head

PPH: phillips pan head

PPHTF: phillips pan head thread forming

PRH: phillips round head

PTH: phillips truss head

PTO: power-take-off

RH: right hand

ROPS: roll-over protection system

RRB: rear roller brush

SFH: slotted fillister head

SHH: slotted hex head

SHWH: slotted hex washer head

SPH: slotted pan head

SQH: square head

SRH: slotted round head

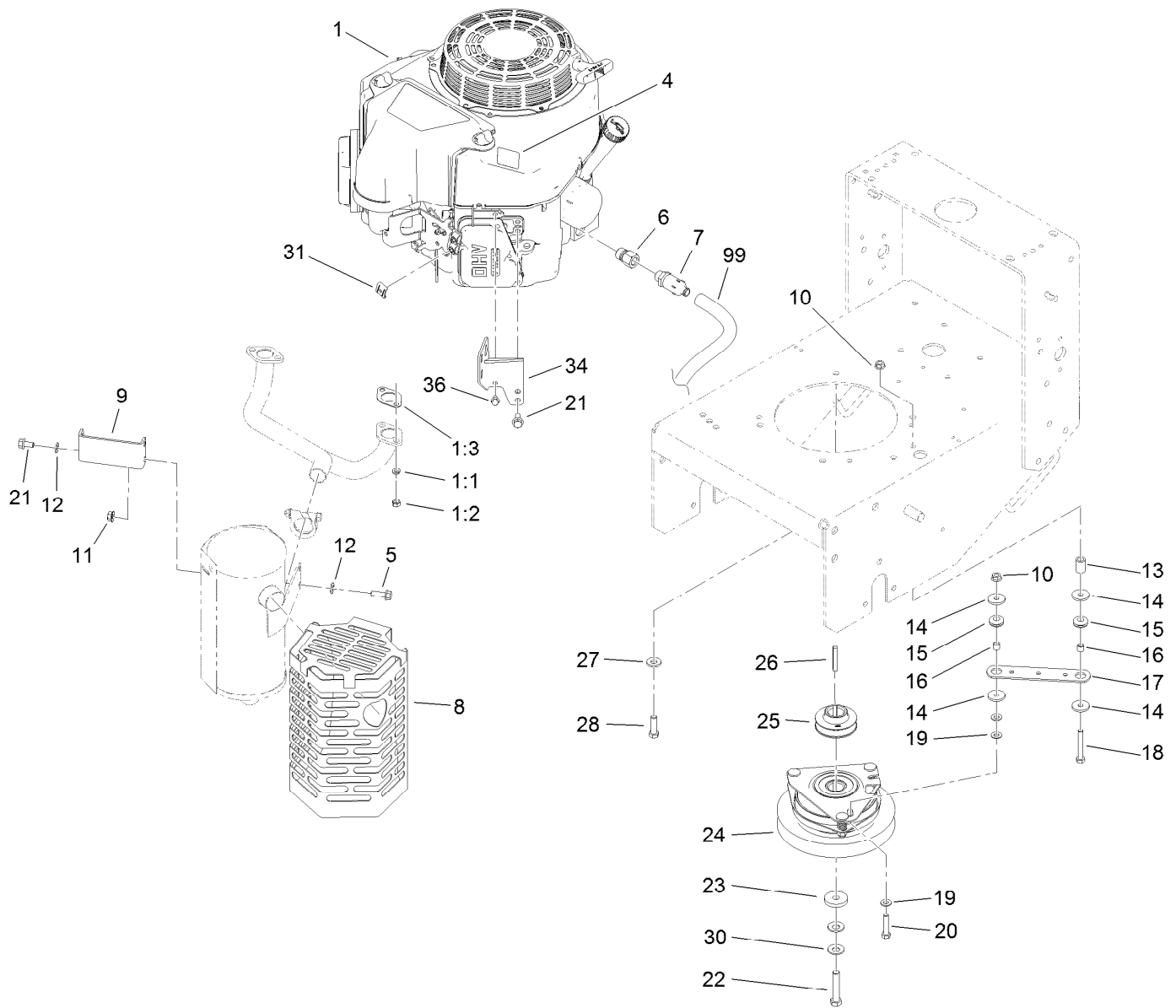
STD: standard

TAP: self tapping

TTH: torx truss head

Contents

Engine and Clutch Assembly	4
Power-Take-Off Idler Assembly	5
Fuel System Assembly	6
Lower Control Assembly	7
Transmission Drive Assembly	8
Wheel Drive and Brake Assembly	9
Handle Assembly	10
Control Panel Assembly	11
Carrier Frame Assembly	12
Deck Drive and Baffle Assembly	13
Deck Decal Assembly No. 115-4230	14
Spindle Assembly No. 110-6950	15
Spindle Assembly No. 110-0728	16
Deck Deflector, Roller and Cover Assembly	17
Deflector Assembly No. 110-0790	18
Attachments and Accessories	19



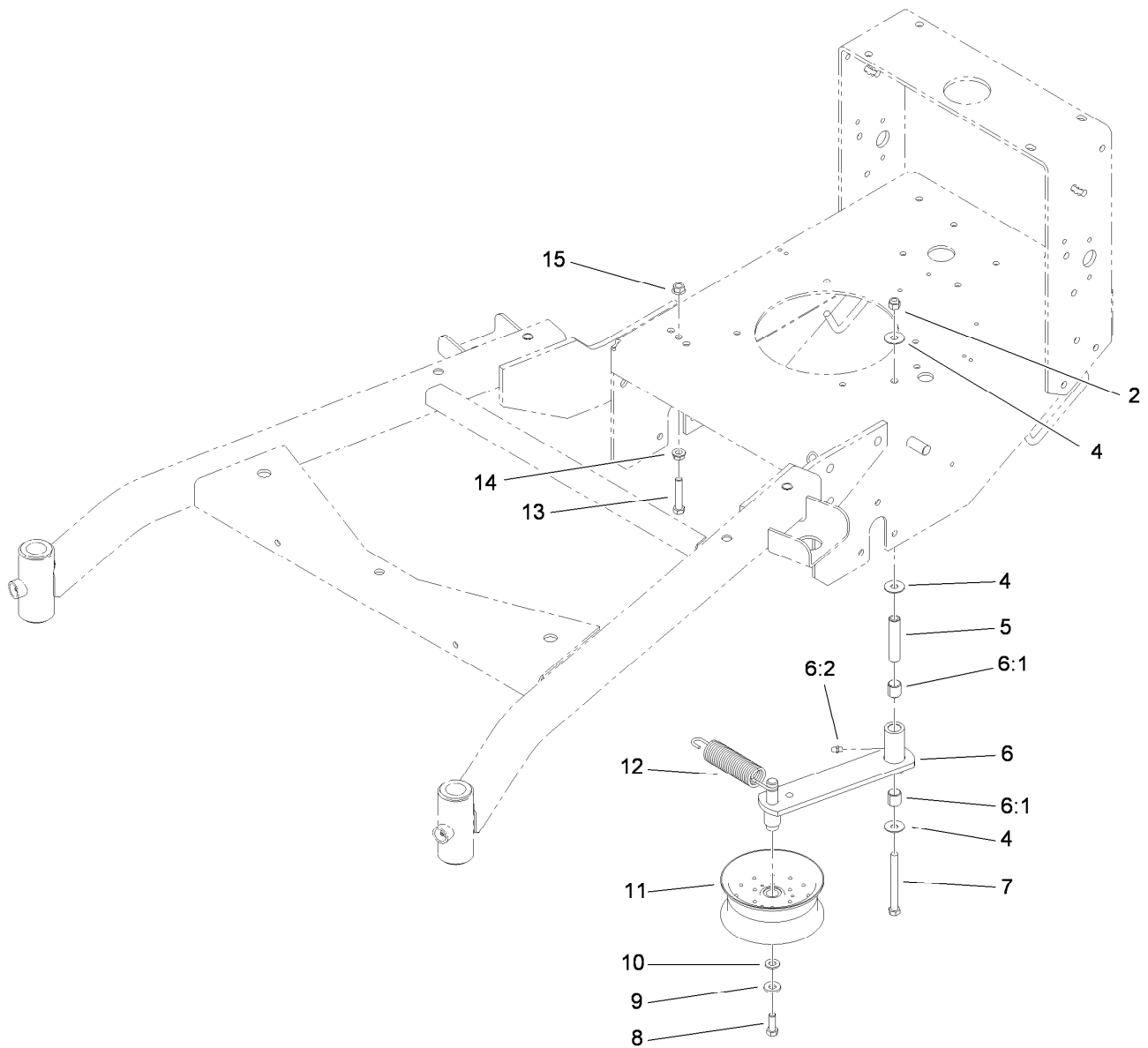
Engine and Clutch Assembly

Ref.	Part Number	Qty.	Description
1		1	Engine-Kawasaki, Fs481V ● ■
1:1	114-3550	4	Washer-Lock, Spring
1:2	114-3549	4	Nut
1:3	1-653313	2	Gasket-Exhaust
4	106-5517	1	Decal-Warning, Hot Surface
5	33104-025	4	Screw-HHF
6	103-1966	1	Adapter
7	92-6877	1	Valve-Drain, Oil
8	119-3629-03	1	Muffler Shield ASM
9	119-3635-03	1	Bracket-Shield, Muffler
10	32128-20	2	Nut-HF
11	117-1350	4	Nut-HF, Lock
12	1-303334	4	Washer-Spring
13	104-6373	1	Tube-Retainer
14	1-613235	4	Washer
15	1-633630	2	Grommet
16	1-633545	2	Spacer

Ref.	Part Number	Qty.	Description
17	1-633543-03	1	Strap-Clutch, Brake
18	322-11	1	Screw-HH
19	3256-23	3	Washer-Flat
20	322-7	1	Screw-HH
21	33104-016	2	Screw-HHF
22	3212-9	1	Screw-HH
23	107-4136	1	Washer
24	105-2635	1	Clutch / Brake ASM
25	107-4112	1	Pulley-Drive
26	608006	1	Key-Square
27	98-5975	4	Washer-Belleville
28	323-7	4	Screw-HH
30	1-603610	2	Washer-Spring
31	81-1690	1	Clamp-Cable
34	117-8561-03	1	Bracket-Muffler
36	33103-012	1	Screw-HHF
99	103-1964	1	Hose-Drain, Oil

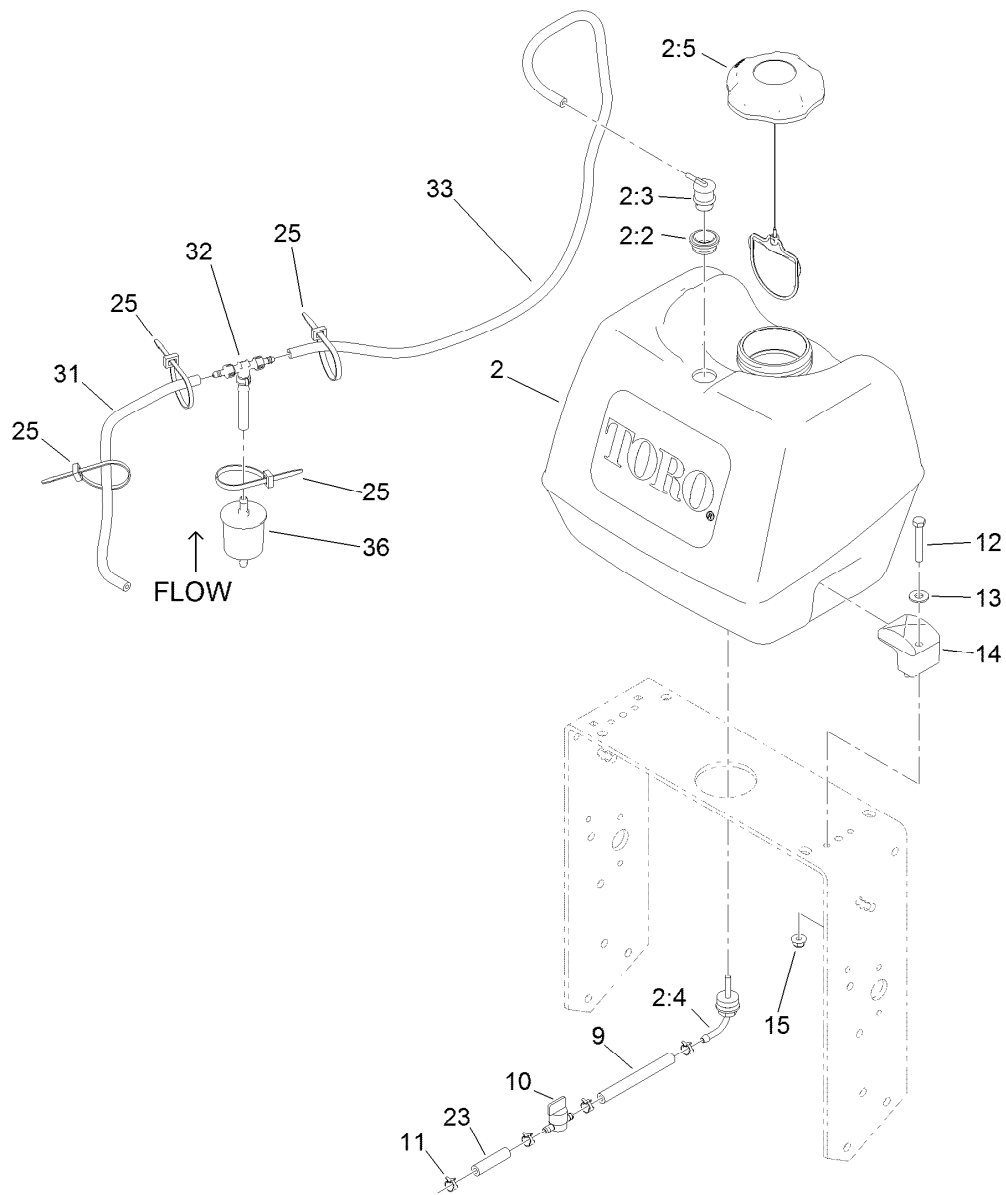
● Not serviced separately

■ Obtain parts from www.kawpowerpc.com



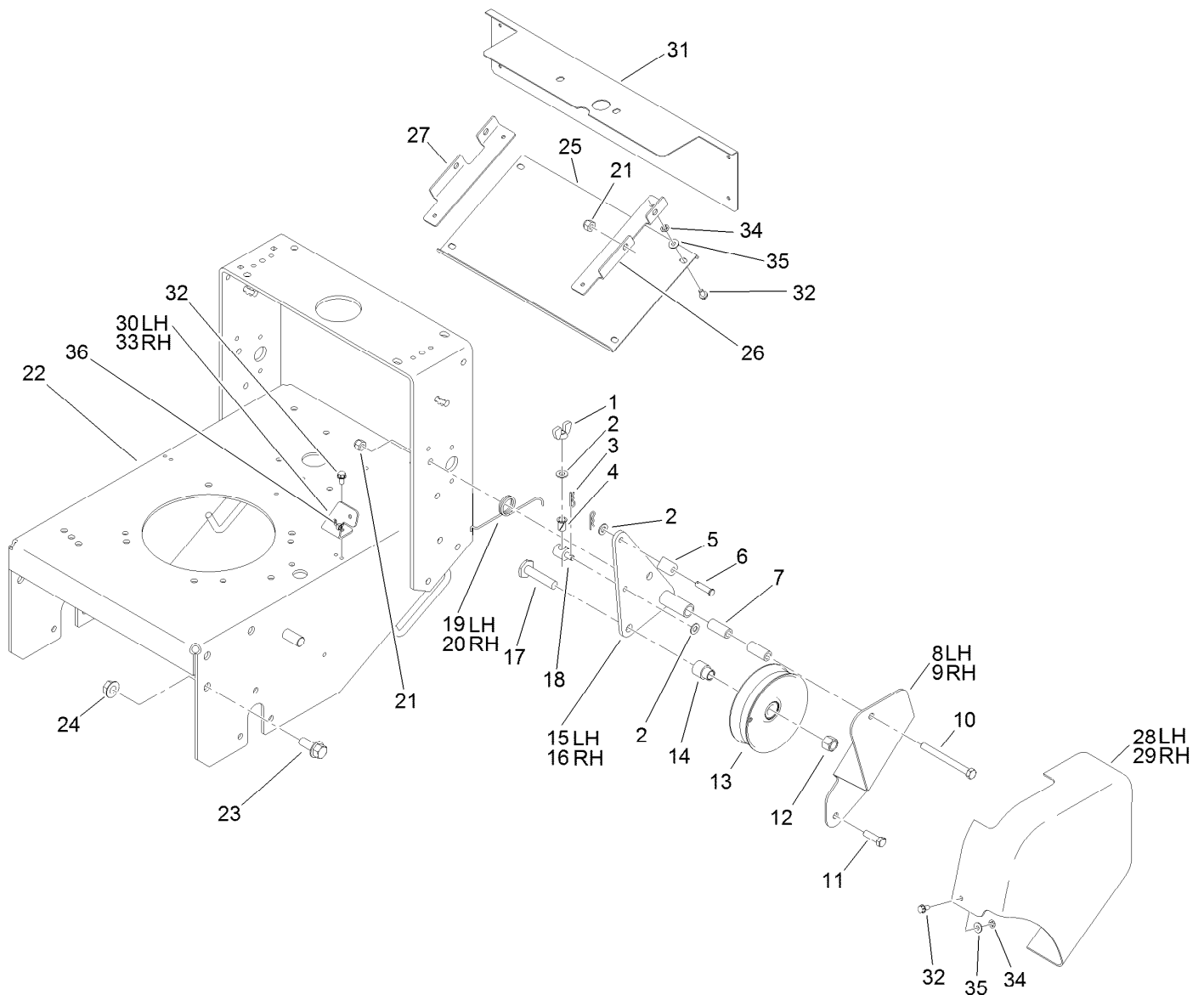
Power-Take-Off Idler Assembly

Ref.	Part Number	Qty.	Description
2	3296-39	1	Nut-Lock, NI
4	52-2860	3	Washer
5	104-6377	1	Tube-Idler
6	112-7055	1	Idler Arm ASM
6:1	1-513034	2	Sleeve-Bearing
6:2	302-5	1	Fitting-Grease
7	323-42	1	Screw-HH
8	323-6	1	Screw-HH
9	98-5975	1	Washer-Belleville
10	3256-24	1	Washer-Flat
11	116-4666	1	Idler-Pulley, Flat
12	105-8443	1	Spring-Extension
13	323-10	1	Screw-HH
14	3290-357	1	Nut-HHF, Whiz
15	32128-21	1	Nut-HF



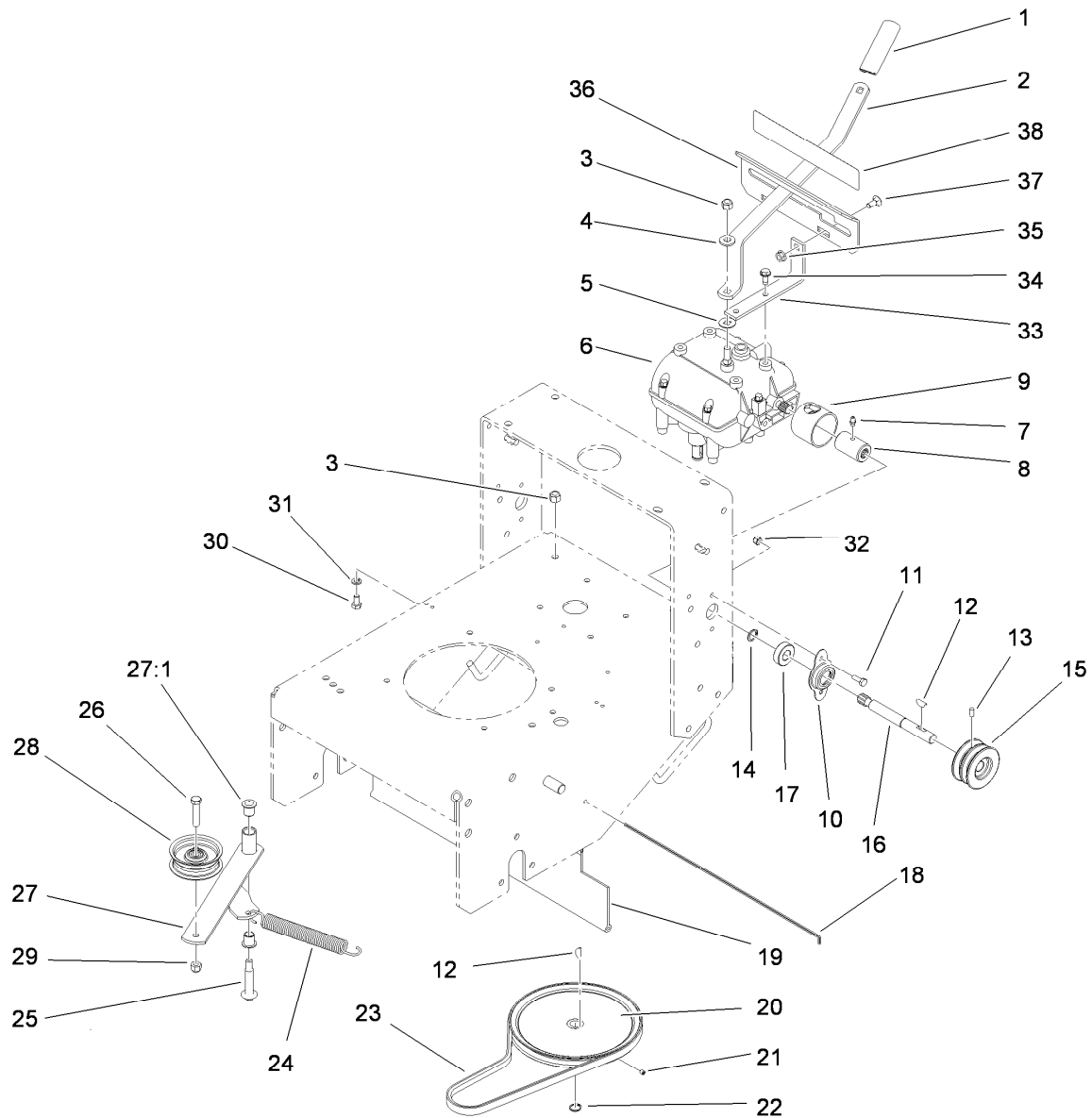
Fuel System Assembly

<i>Ref.</i>	<i>Part Number</i>	<i>Qty.</i>	<i>Description</i>	<i>Ref.</i>	<i>Part Number</i>	<i>Qty.</i>	<i>Description</i>
2	119-7899	1	Fuel Tank ASM	13	3256-3	2	Washer-Flat
2:2	114-0284	1	Grommet	14	107-4543	2	Clamp
2:3	114-0285	1	Valve-Rollover	15	104-8300	2	Nut-Flange, NI
2:4	103-2605	1	Fitting-Fuel, Bulkhead	23	99-9415	1	Hose-Fuel
2:5	120-5461	1	Cap-Fuel, Ratcheting	25	3290-378	4	Tie-Cable
9	109-0650	1	Hose-Fuel	31	115-7872	1	Hose-Fuel
10	1-603770	1	Valve-Fuel	32	116-5464	1	Tee And Check ASM
11	2412-98	4	Clamp-Hose	33	116-4346	1	Hose-Emissions
12	322-10	2	Screw-HH	36	120-2235	1	Filter-Air



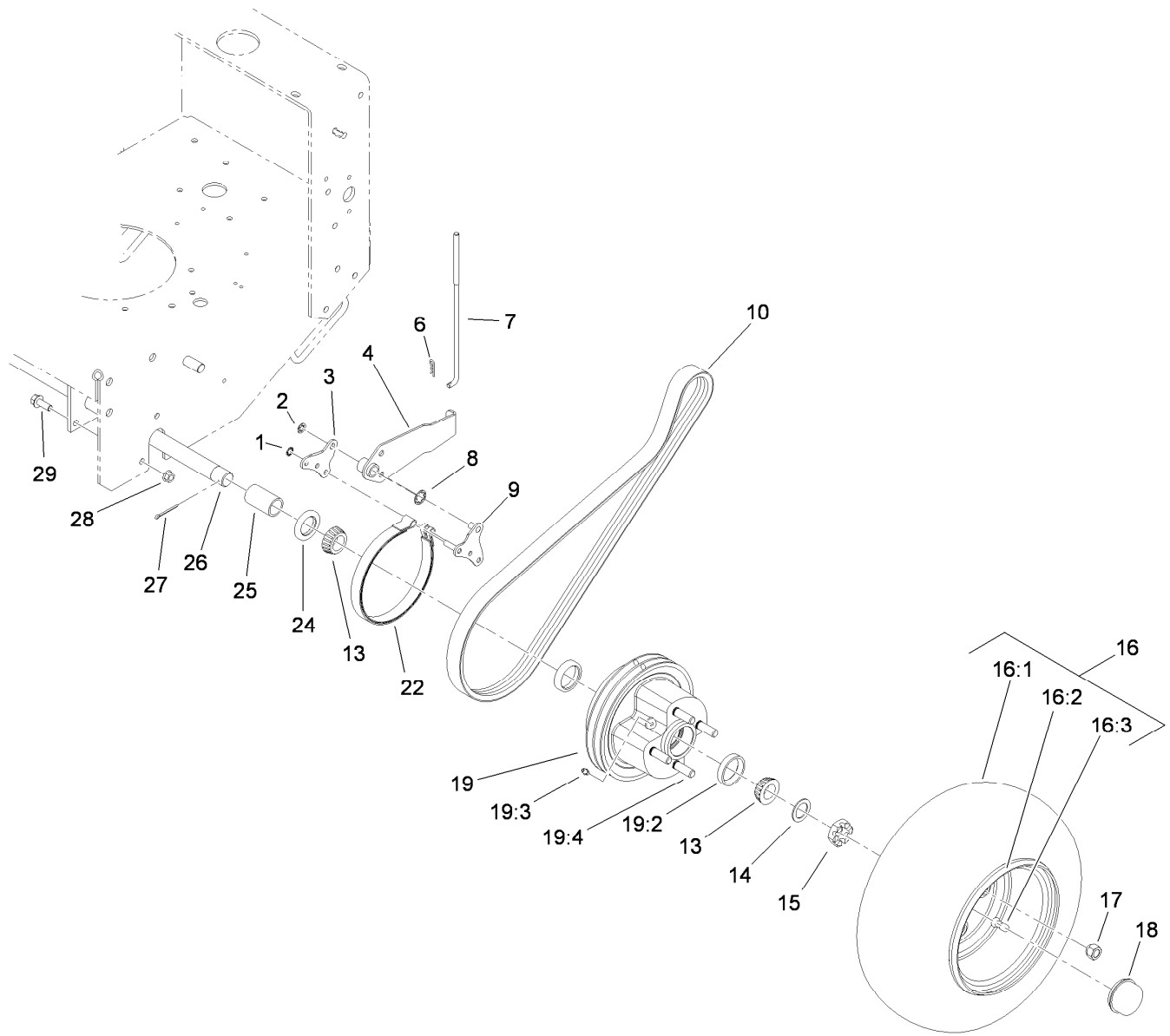
Lower Control Assembly

<i>Ref.</i>	<i>Part Number</i>	<i>Qty.</i>	<i>Description</i>	<i>Ref.</i>	<i>Part Number</i>	<i>Qty.</i>	<i>Description</i>
1	32103-25	2	Nut-Wing	19	51-4380	1	Spring-Torsion, LH
2	3256-23	6	Washer-Flat	20	51-4370	1	Spring-Torsion, RH
3	3290-307	4	Pin-Hair	21	3296-39	6	Nut-Lock, NI
4	52-2890	2	Bushing-Nylon	22	117-3525-01	1	Gear Frame ASM
5	74-0521	2	Fitting-Rod	23	3234-32	6	Screw-HHF
6	283-6	2	Pin-Clevis	24	32128-23	6	Nut-HF
7	74-0040	4	Spacer-Pivot, Idler	25	110-5014-01	1	Panel-Bottom
8	108-2725-01	1	Support-Idler, LH	26	110-5012-01	1	Angle-Mounting, Left
9	108-2724-01	1	Support-Idler, RH	27	110-5013-01	1	Angle-Mounting, Right
10	323-16	2	Screw-HH	28	119-6509	1	Guard-Belt, LH
11	323-7	4	Screw-HH	29	119-6510	1	Guard-Belt, RH
12	3296-23	2	Nut-Lock, NI	30	107-4078-01	1	Bracket-Mounting, LH
13	95-2800	2	Pulley-Idler	31	104-8158-03	1	Guard-Shaft, Transmission
14	95-2801	2	Spacer-Pulley	32	32144-4	12	Screw-HWH
15	108-2740-01	1	LH Idler Arm ASM	33	107-4079-01	1	Bracket-Mounting, RH
16	108-2741-01	1	RH Idler Arm ASM	34	106-8737	8	Nut-Retainer
17	51-4450	2	Screw-Leveler	35	3256-1	8	Washer-Flat
18	68-9690	2	Fitting-Rod	36	1-303287	1	Tie-Cable



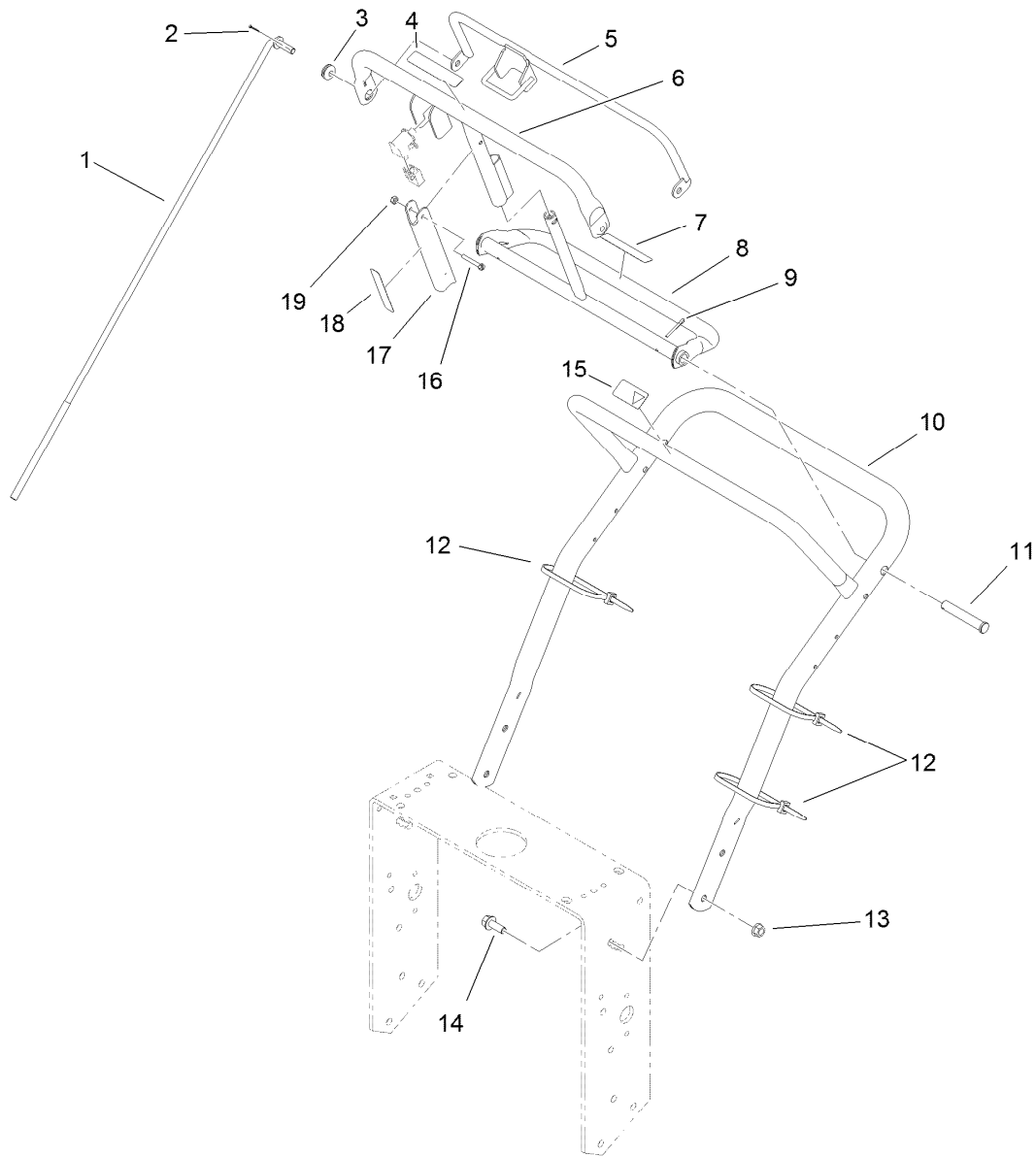
Transmission Drive Assembly

<i>Ref.</i>	<i>Part Number</i>	<i>Qty.</i>	<i>Description</i>	<i>Ref.</i>	<i>Part Number</i>	<i>Qty.</i>	<i>Description</i>
1	47-1970	1	Grip	21	3245-1	1	Screw-Set, HSH
2	98-3274-03	1	Lever-Shift	22	32120-64	1	Ring-Snap, External
3	3296-6	2	Nut-Lock	23	105-5668	1	V-Belt
4	98-5975	1	Washer-Belleville	24	80-6610	1	Spring-Extension
5	1-323379	1	Washer	25	27-6230	1	Bolt-Wheel
6	1-323500	1	Transmission	26	323-9	1	Screw-HH
7	302-5	2	Fitting-Grease	27	16-7509	1	Lever-Idler
8	1-323680	2	Coupler	27:1	256-155	2	Bushing-Flange
9	51-4220	2	Guard-Coupler	28	62-4540	1	Pulley
10	1-323254	2	Flange-Output	29	3296-39	1	Nut-Lock, NI
11	321-4	4	Screw-HH	30	322-2	4	Screw-HH
12	3257-5	3	Key-Woodruff	31	3253-4	4	Washer-Lock
13	3245-9	2	Screw-Set, HSH	32	3296-42	4	Nut-Lock, NI
14	32151-62	2	Ring-Retaining	33	1-323389-03	2	Bracket-Plate, Shift
15	105-2698	2	Pulley-Transmission	34	9264964	4	Screw-HWH, Thread Cut
16	104-1102	2	Shaft-Output	35	32128-20	2	Nut-HF
17	1-323252	2	Bearing-Shaft	36	1-323387-03	1	Plate-Shift
18	95-1529	1	Rod-Shield	37	3230-1	2	Bolt-CARR
19	95-1526	1	Shield-Trailing	38	98-3264	1	Decal-Ground Speed
20	105-5646	1	Pulley-Driven				



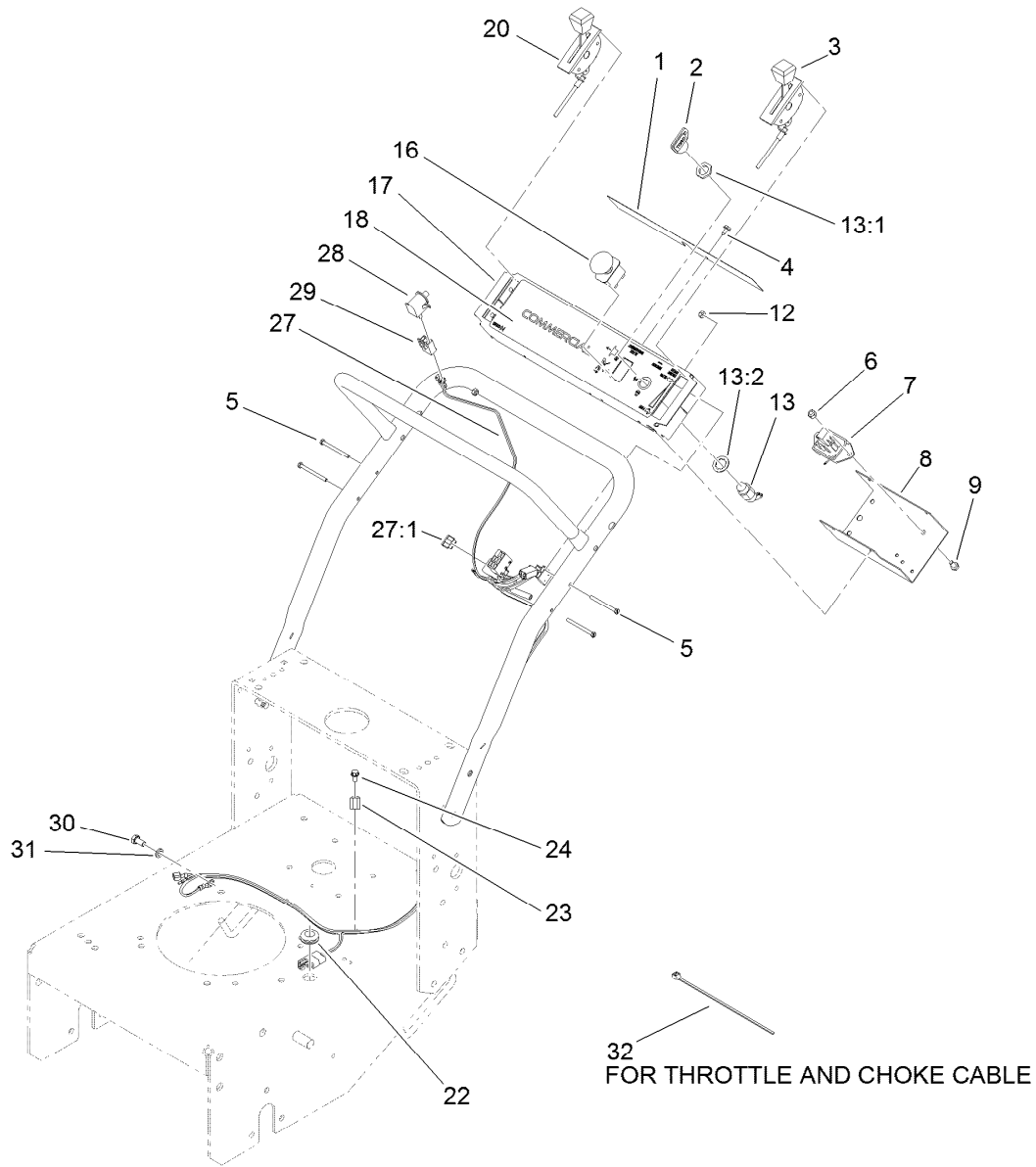
Wheel Drive and Brake Assembly

Ref.	Part Number	Qty.	Description	Ref.	Part Number	Qty.	Description
1	32151-72	4	Ring-Retaining	16:3	232-27	1	Stem-Valve
2	32151-56	2	Ring-Retaining, External	17	242-50	8	Nut-Lug
3	106-8792	2	Plate-Link, Brake	18	241-119	2	Cap-Dust
4	110-5010-01	2	Brake Arm ASM	19	107-4090	2	Wheel Hub ASM
6	3290-307	2	Pin-Hair	19:2	1-543508	2	Cup-Bearing
7	108-2730	2	Rod-Brake	19:3	302-5	1	Fitting-Grease
8	32151-40	2	Ring-Retaining	19:4	10-6830	4	Stud-Type, Drive
9	106-8773	2	Brake Link ASM	22	1-323262	2	Band-Brake
10	110-5004	2	Belt-V, Banded	24	1-543511	2	Seal-Grease
13	1-543509	4	Bearing-Roller, Tapered	25	110-5006	2	Spacer-Wheel
14	1-523157	2	Washer-Spacer	26	110-4983-01	1	Axle ASM
15	1-809082	2	Nut-SHH	27	1-806800	2	Pin-Cotter
16	106-0892	2	Wheel And Tire ASM	28	32128-21	6	Nut-HF
16:1	104-6322	1	Tire	29	3234-11	6	Screw-HHF
16:2	106-0893	1	Wheel				



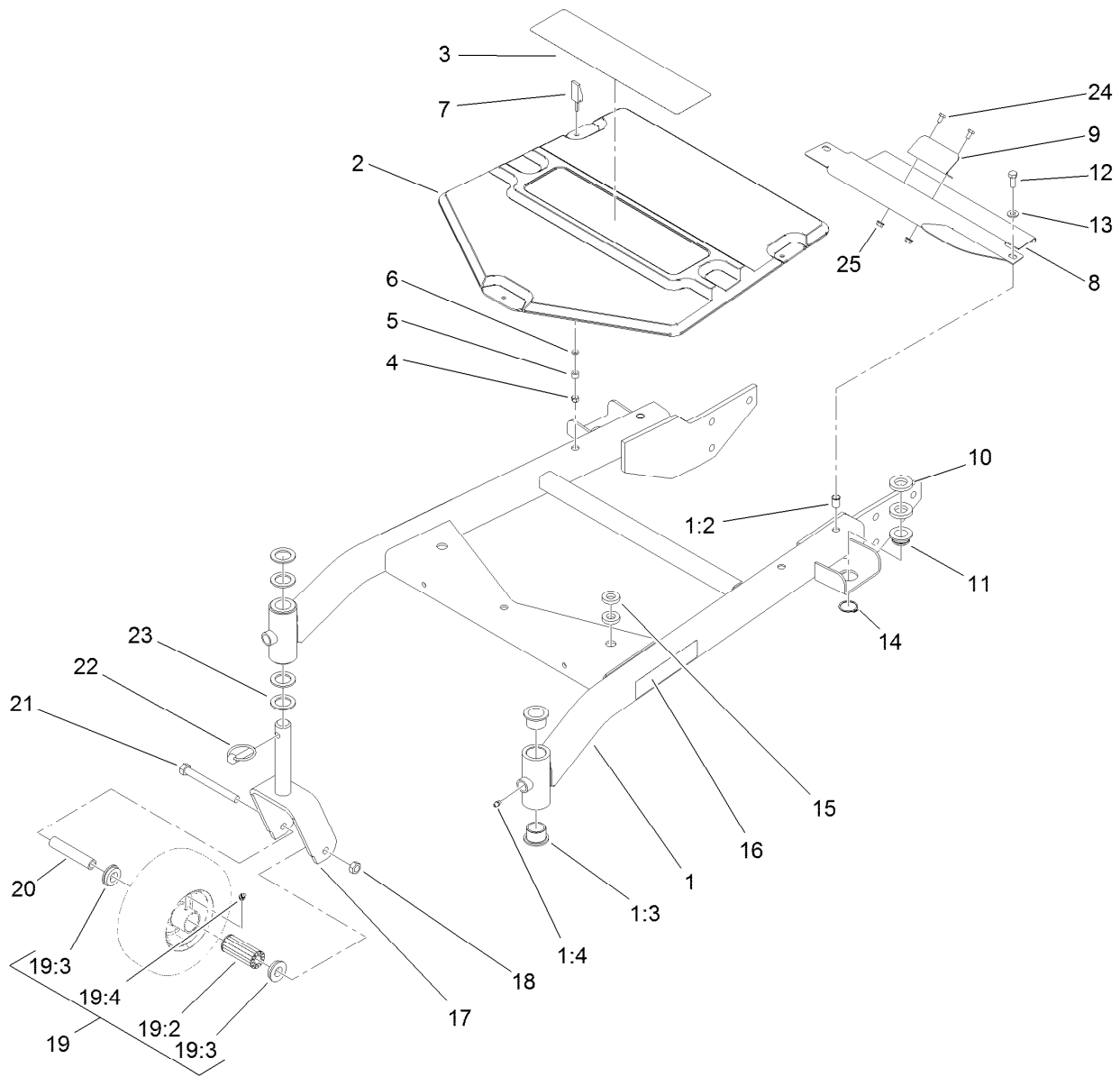
Handle Assembly

<i>Ref.</i>	<i>Part Number</i>	<i>Qty.</i>	<i>Description</i>	<i>Ref.</i>	<i>Part Number</i>	<i>Qty.</i>	<i>Description</i>
1	105-4677	2	Rod-Control	11	283-55	2	Pin-Clevis
2	3272-4	2	Pin-Cotter	12	3290-378	3	Tie-Cable
3	237-141	2	Grommet-Rubber	13	32128-21	4	Nut-HF
4	93-7298	1	Decal-Bar, Control	14	3234-11	4	Screw-HHF
5	82-7680-03	1	Bail ASM	15	98-4387	1	Decal-Protection, Ear
6	82-7690-03	1	Bar-Control	16	32105-1	1	Screw-SHH
7	93-7299	1	Decal-Reverse	17	51-4850-03	1	Lever-Brake, Parking
8	106-5477-03	1	Control Pivot ASM	18	93-7442	1	Decal-Lever, Parking
9	3272-11	2	Pin-Cotter	19	3296-2	1	Nut-Lock, NI
10	105-3158-01	1	Upper Handle ASM				



Control Panel Assembly

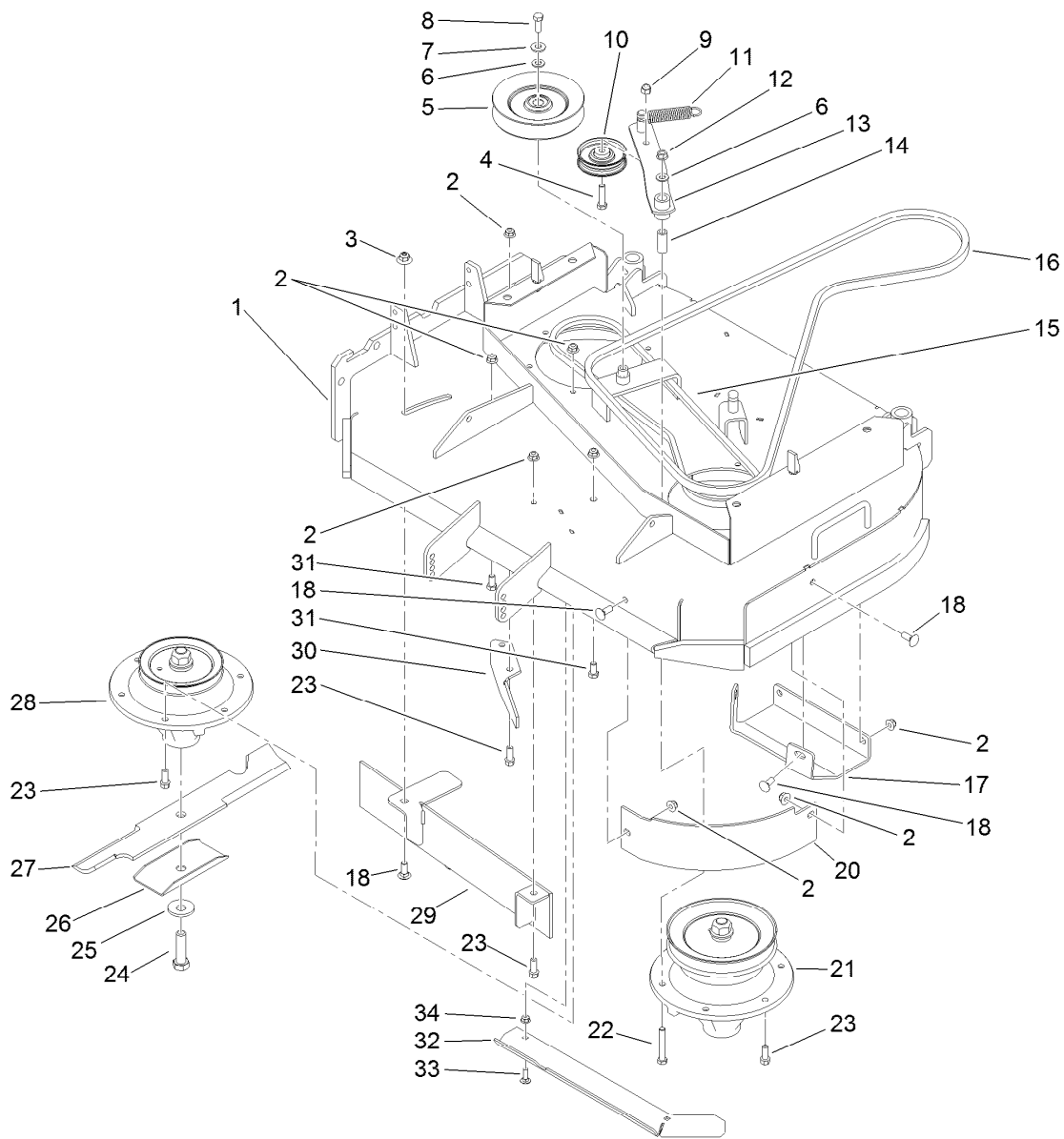
<i>Ref.</i>	<i>Part Number</i>	<i>Qty.</i>	<i>Description</i>	<i>Ref.</i>	<i>Part Number</i>	<i>Qty.</i>	<i>Description</i>
1	106-5519	1	Decal-Danger	17	110-4982-03	1	Panel-Control
2	63-8360	1	Key-Ignition	18	110-4972	1	Decal-Panel, Control
3	119-6539	1	Cable-Throttle	20	110-4995	1	Cable-Choke
4	32104-76	2	Screw	22	112-7069	1	Grommet
5	32105-14	4	Screw-SHH	23	2412-134	1	Clamp-R
6	3296-42	1	Nut-Lock, NI	24	32144-4	1	Screw-HWH
7	104-8141	1	Module-Delay	27	119-6508	1	Harness-Wire
8	93-1187-03	1	Panel-Bottom	27:1	114241	1	Fuse-Blade, 7.5 Amp
9	321-2	1	Screw-HH	28	82-2190	1	Switch-Bail
12	3296-2	4	Nut-Lock, NI	29	218-595	1	Connector-Body
13	29-5560	1	Switch-On / Off	30	33114-016	1	Screw-HH
13:1	218-461	1	Nut-HH	31	3253-4	1	Washer-Lock
13:2	3254-5	1	Washer-Tooth, Internal	32	1-303287	1	Tie-Cable
16	104-8140	1	Switch-PTO				



Carrier Frame Assembly

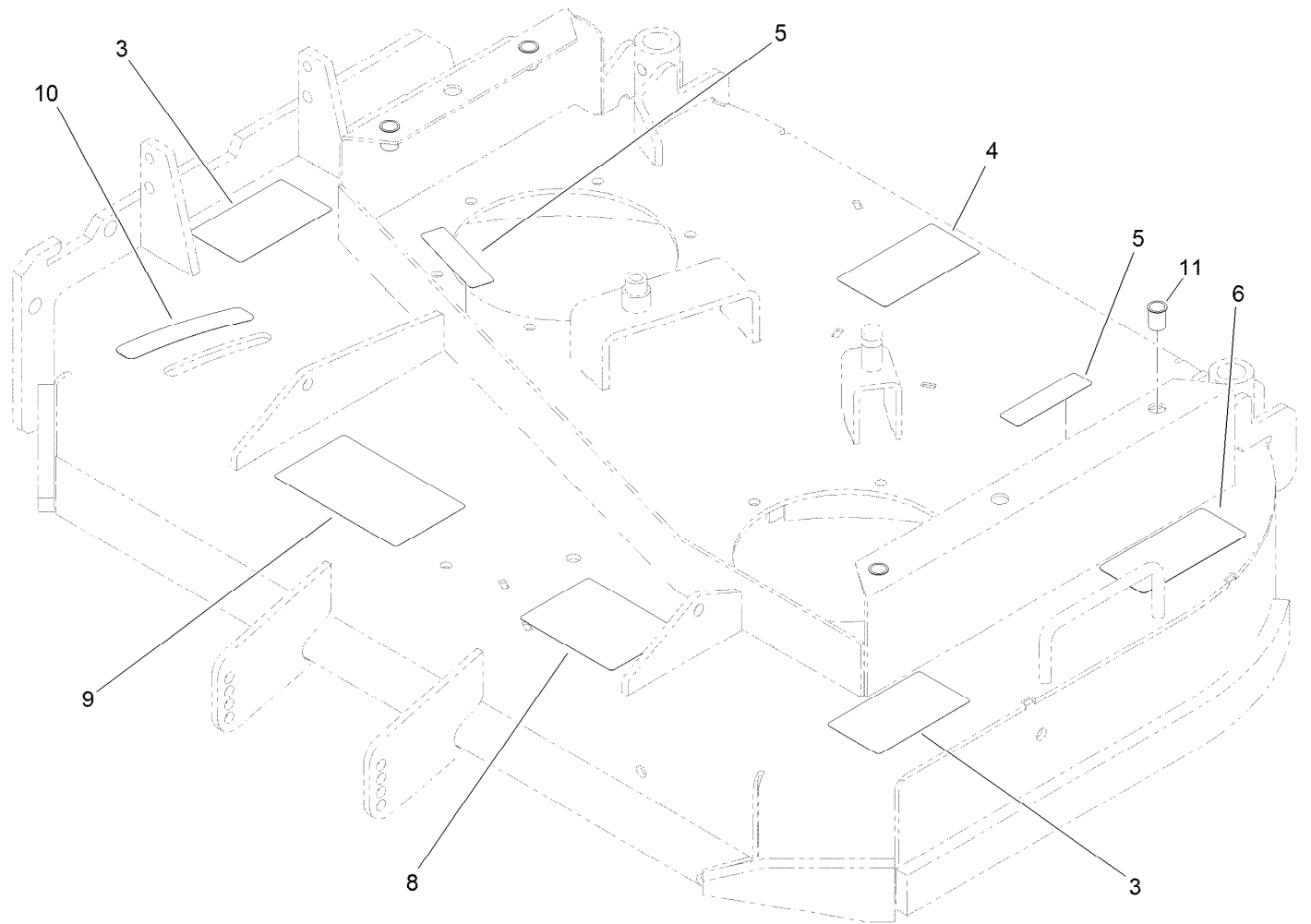
Ref.	Part Number	Qty.	Description
1	110-6960	1	Carrier Frame ASM
1:2	32148-9	2	Insert-Nut
1:3	94-1291	4	Bushing
1:4	302-5	2	Fitting-Grease
2	110-6970	1	Cover-Frame, Carrier
3	112-9710	1	Decal
4	1-804254	3	Nut-Lock, HH
5	106-6778	3	Bushing-Latch, Swell
6	99-3058	3	Washer
7	106-6777	3	Handle-Latch, Swell
8	119-7858-01	1	Shield-Belt
9	119-7859-01	1	Shield-Heat, Manifold
10	104-1105	4	Spacer-Support, Deck
11	1-513336	2	Bushing-Deck
12	323-6	2	Screw-HH
13	3256-24	2	Washer-Flat

Ref.	Part Number	Qty.	Description
14	32120-33	2	Ring-Retaining
15	1-323539	4	Spacer
16	106-0636	2	Decal
17	105-3159-01	2	Castor Fork ASM
18	32153-5	2	Nut-Hex
19	110-5024	2	Wheel And Tire ASM
19:2	112-7066	1	Bearing-Roller
19:3	1-513810	2	Bushing
19:4	302-61	1	Fitting-Grease
20	100-6453	2	Bushing-Spanner
21	325-19	2	Screw-HH
22	283-71	2	Pin-Lynch
23	3-6781	8	Washer-Thrust
24	321-2	2	Screw-HH
25	32128-32	2	Nut-HHF



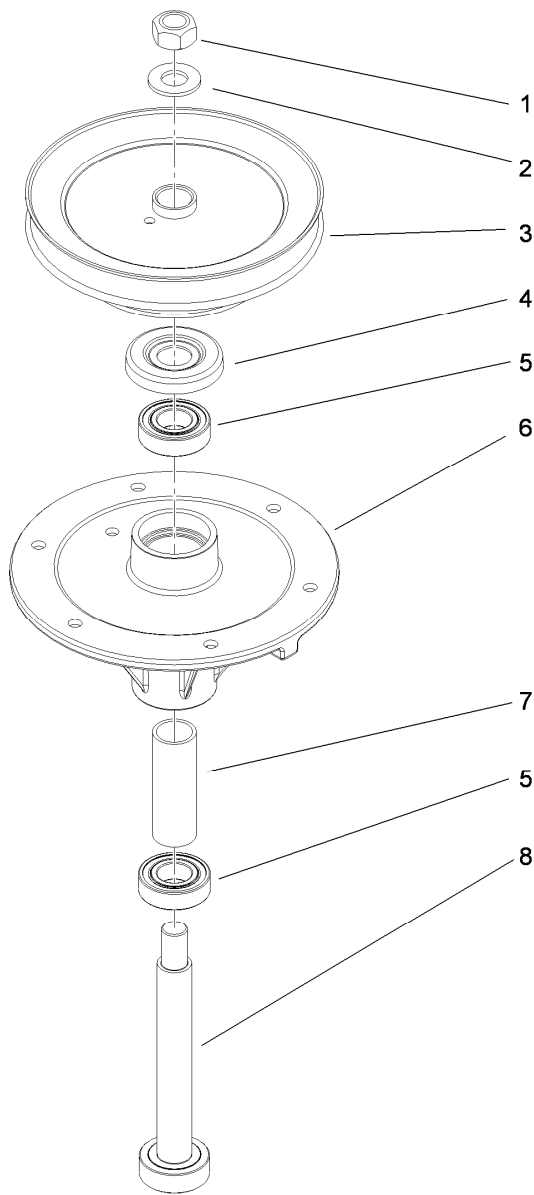
Deck Drive and Baffle Assembly

<i>Ref.</i>	<i>Part Number</i>	<i>Qty.</i>	<i>Description</i>	<i>Ref.</i>	<i>Part Number</i>	<i>Qty.</i>	<i>Description</i>
1	115-4230	1	Deck And Decal ASM	18	3231-2	7	Screw-CARR
2	104-8301	22	Nut-Flange, NI	20	110-6903-03	1	Baffle-Front, LH
3	109-6658	1	Nut-Flange, NI	21	110-6950	1	Spindle ASM
4	323-8	1	Screw-HH	22	323-12	1	Screw-HH
5	1-633166	1	Pulley-Idler	23	92-1624	14	Screw-HWH
6	3256-24	2	Washer-Flat	24	51-4060	2	Screw-Blade
7	98-5975	1	Washer-Belleville	25	103-0865	2	Washer-Blade Bolt, Heavy
8	323-6	1	Screw-HH	26	108-2727	2	Stiffener-Blade
9	3296-39	1	Nut-Lock, NI	27	105-7781-03	2	Blade-18 Inch, Hi Flow
10	51-3660	1	Pulley-Idler	28	110-0728	1	Spindle ASM
11	105-2673	1	Spring-Extension	29	121-1779-03	1	Baffle ASM
12	32128-21	1	Nut-HF	30	110-0754-01	1	Baffle-Discharge
13	105-0889	1	Idler Arm ASM	31	323-4	2	Screw-HH
14	51-3641	1	Sleeve-Pivot, Idler	32	119-7839-01	1	Extender-Deck
15	110-6953	1	Belt-V	33	3230-2	2	Bolt-CARR
16	105-0886	1	Belt-Drive, PTO	34	104-8300	2	Nut-Flange, NI
17	110-2037-01	1	Plate-Skid				



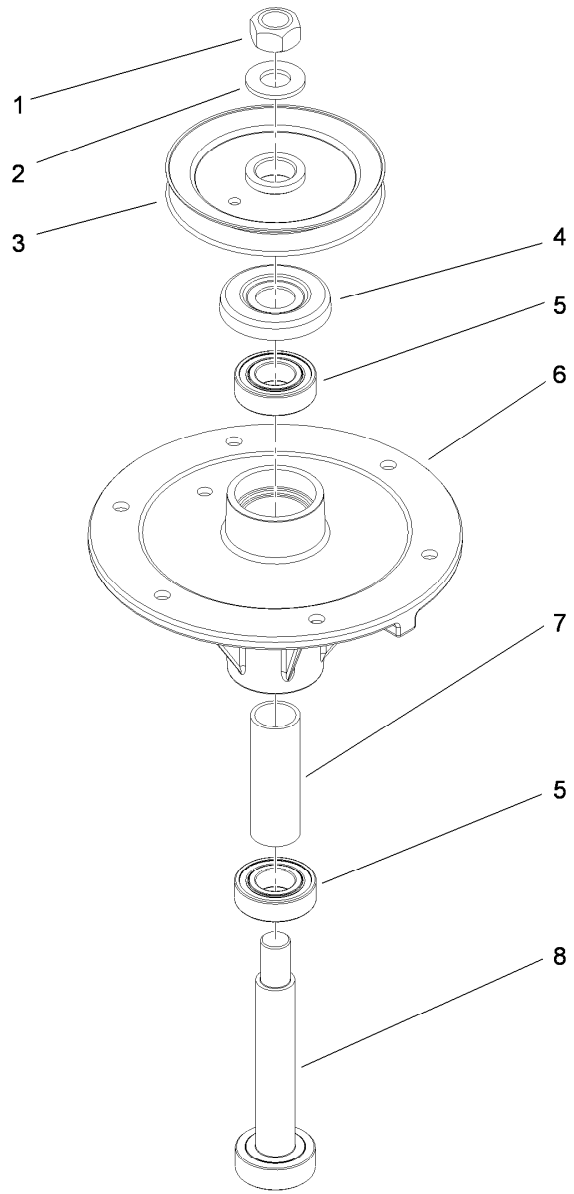
Deck Decal Assembly No. 115-4230

<i>Ref.</i>	<i>Part Number</i>	<i>Qty.</i>	<i>Description</i>
3	114-3449	2	Decal-Danger
4	104-8185	1	Decal
5	119-0217	2	Decal-Danger
6	93-7818	1	Decal-Torque, Blade Bolt
8	99-8939	1	Decal-Anti Scalp
9	110-2068	1	Decal-Adjustment, Baffle
10	110-2067	1	Decal-Setting, Baffle
11	32148-9	4	Insert-Nut



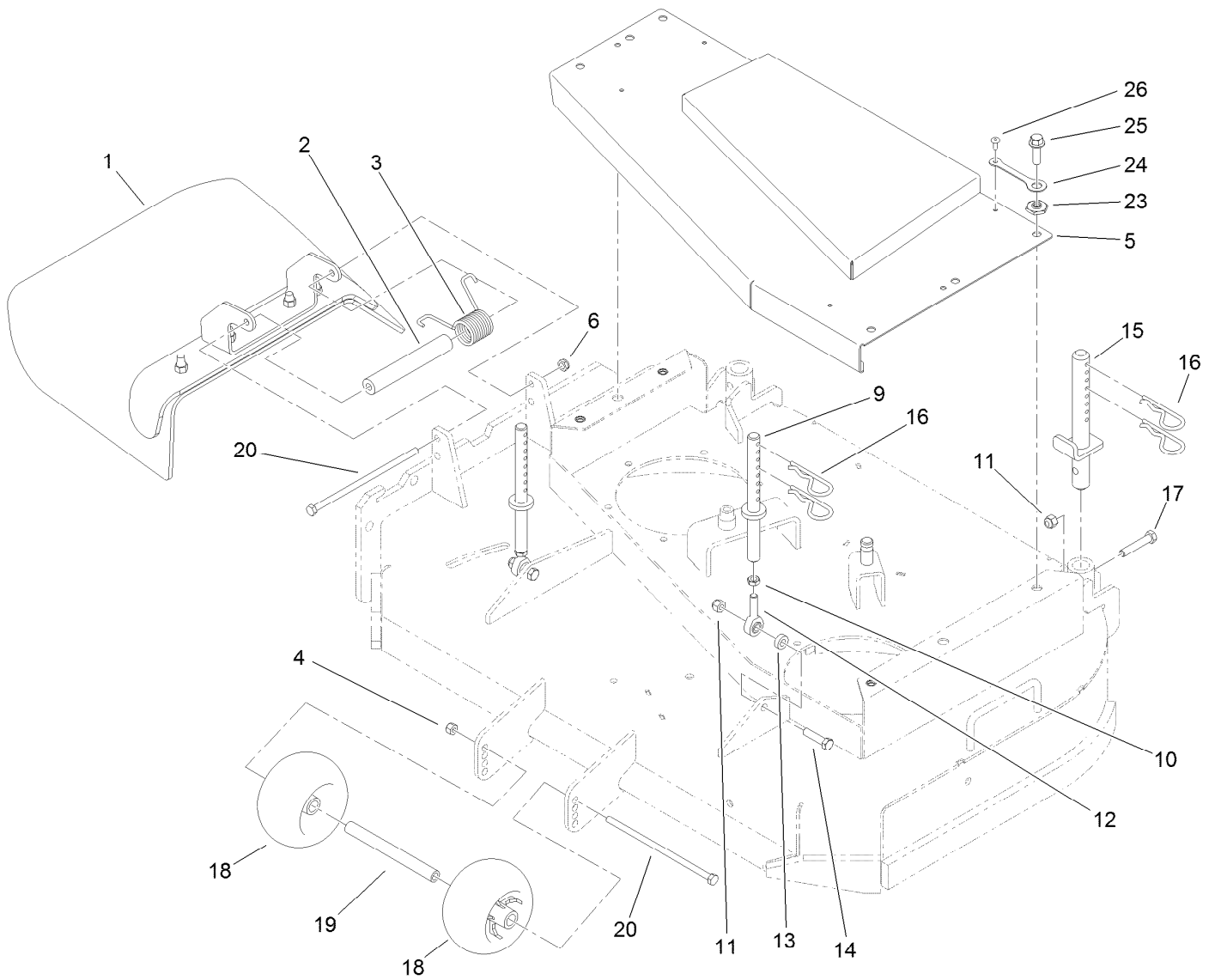
Spindle Assembly No. 110-6950

<i>Ref.</i>	<i>Part Number</i>	<i>Qty.</i>	<i>Description</i>
1	3219-7	1	Nut-Hex
2	7-4150	1	Washer
3	110-6951	1	Pulley And Hub ASM
4	106-0873	1	Shield-Bearing
5	116-0720	2	Bearing-Ball
6	108-6696	1	Housing-Spindle
7	110-0727	1	Spacer-Bearing
8	110-0725	1	Shaft-Spindle



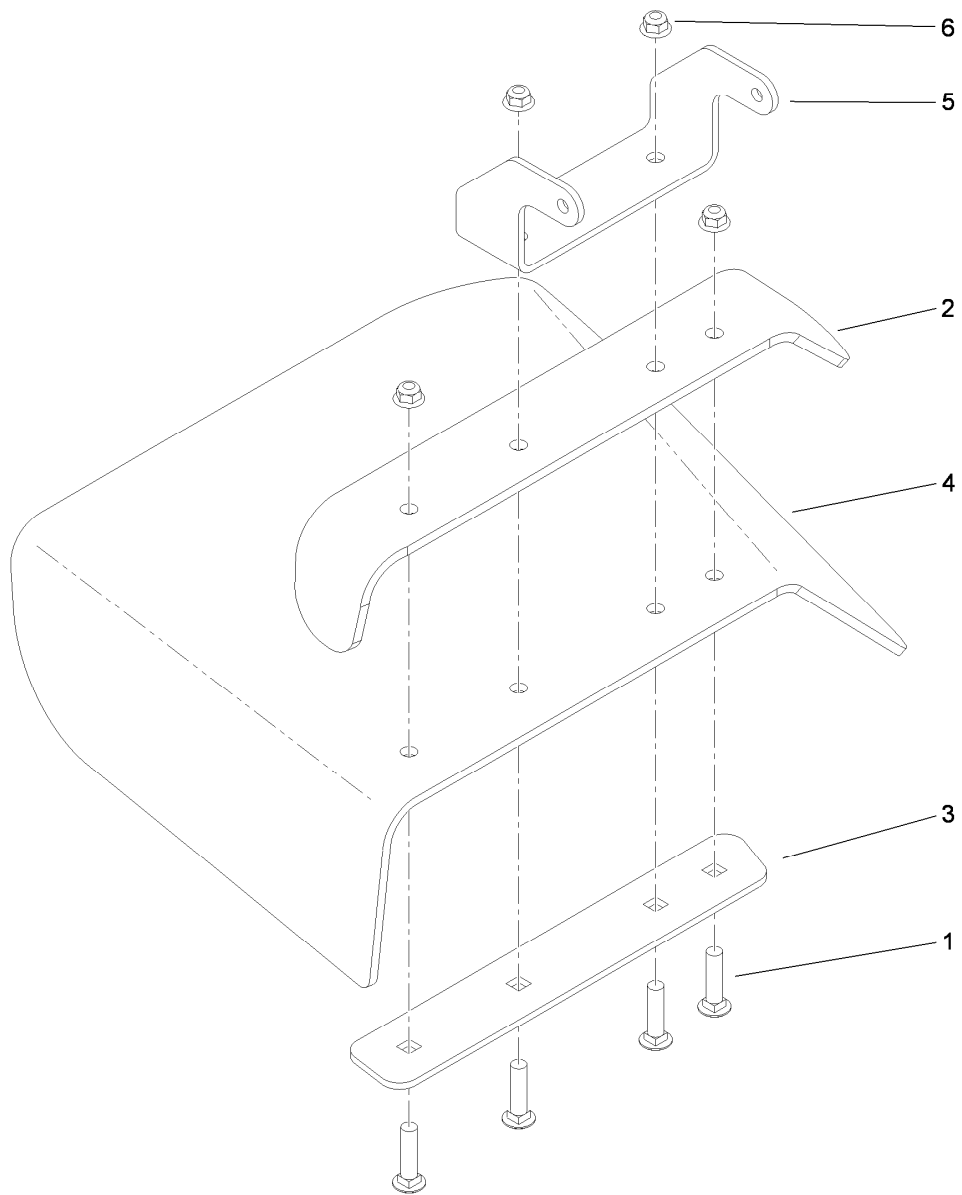
Spindle Assembly No. 110-0728

<i>Ref.</i>	<i>Part Number</i>	<i>Qty.</i>	<i>Description</i>
1	3219-7	1	Nut-Hex
2	7-4150	1	Washer
3	104-1181	1	Pulley ASM
4	106-0873	1	Shield-Bearing
5	116-0720	2	Bearing-Ball
6	108-6696	1	Housing-Spindle
7	110-0727	1	Spacer-Bearing
8	110-0726	1	Shaft-Spindle



Deck Deflector, Roller and Cover Assembly

<i>Ref.</i>	<i>Part Number</i>	<i>Qty.</i>	<i>Description</i>	<i>Ref.</i>	<i>Part Number</i>	<i>Qty.</i>	<i>Description</i>
1	110-0790	1	Deflector ASM	14	323-8	2	Screw-HH
2	105-4622	1	Spacer	15	110-2086	2	Rear Pin ASM
3	108-4052	1	Spring-Torsion	16	3290-256	6	Pin-Hair
4	3296-29	1	Nut-Lock, NI	17	323-10	2	Screw-HH
5	119-6512-01	1	Deck Belt Cover ASM	18	1-603299	2	Roller-Scalp, Anti
6	3296-47	1	Nut-Lock, NI	19	98-5967	1	Spacer-Wheel
9	108-2674	2	Front Pin ASM	20	322-50	2	Screw-HH
10	3220-3	2	Nut-HJ	23	117-8347	4	Nut-Shoulder
11	3296-39	4	Nut-Lock, NI	24	117-8339	4	Lanyard-3 Inch
12	1-613204	2	Balljoint	25	3234-24	4	Screw-HHF
13	104-1156	2	Spacer	26	114439	4	Rivet-Pop



Deflector Assembly No. 110-0790

<i>Ref.</i>	<i>Part Number</i>	<i>Qty.</i>	<i>Description</i>
1	3231-4	4	Screw-CARR
2	110-0792-01	1	Deflector
3	110-0793-03	1	Strap-Discharge
4	110-0791	1	Deflector-Rubber
5	107-4164-01	1	Bracket-Mounting, Deflector
6	104-8301	4	Nut-Flange, NI

Attachments and Accessories

For 30070 Commercial Walk-Behind Mower 16HP, T-Bar, Gear Drive with 91cm TURBO FORCE Cutting Unit

Product Name	Model/Part
Blade-Recycler, 18in.....	105-7779-03
Blade-Med Flow, 18in	105-7794-03
Blade-Low Flow, 18in.....	105-7795-03
Blade-Atomic, 18in	105-7796-03
Blade-Hi Flow, 18in (6 Pack).....	108-1117
Blade-Atomic, 18in (6 Pack)	108-1118
Blade-Lo Flow, 18in (6 Pack)	110-0406
Blade-Recycler, 18in (6 Pack).....	110-0408
Blade-Med Flow, 18in (6 Pack)	110-0409
36in Bagger Enhancement Kit	110-2026
36in Recycler Kit.....	110-2080
Weight-Cast.....	112-7059-01
Operator-Controlled Discharge Chute Kit	115-4190
Soft Bag (3 Bushel).....	30104
Tru Trak Sulky.....	30110



Count on it.