



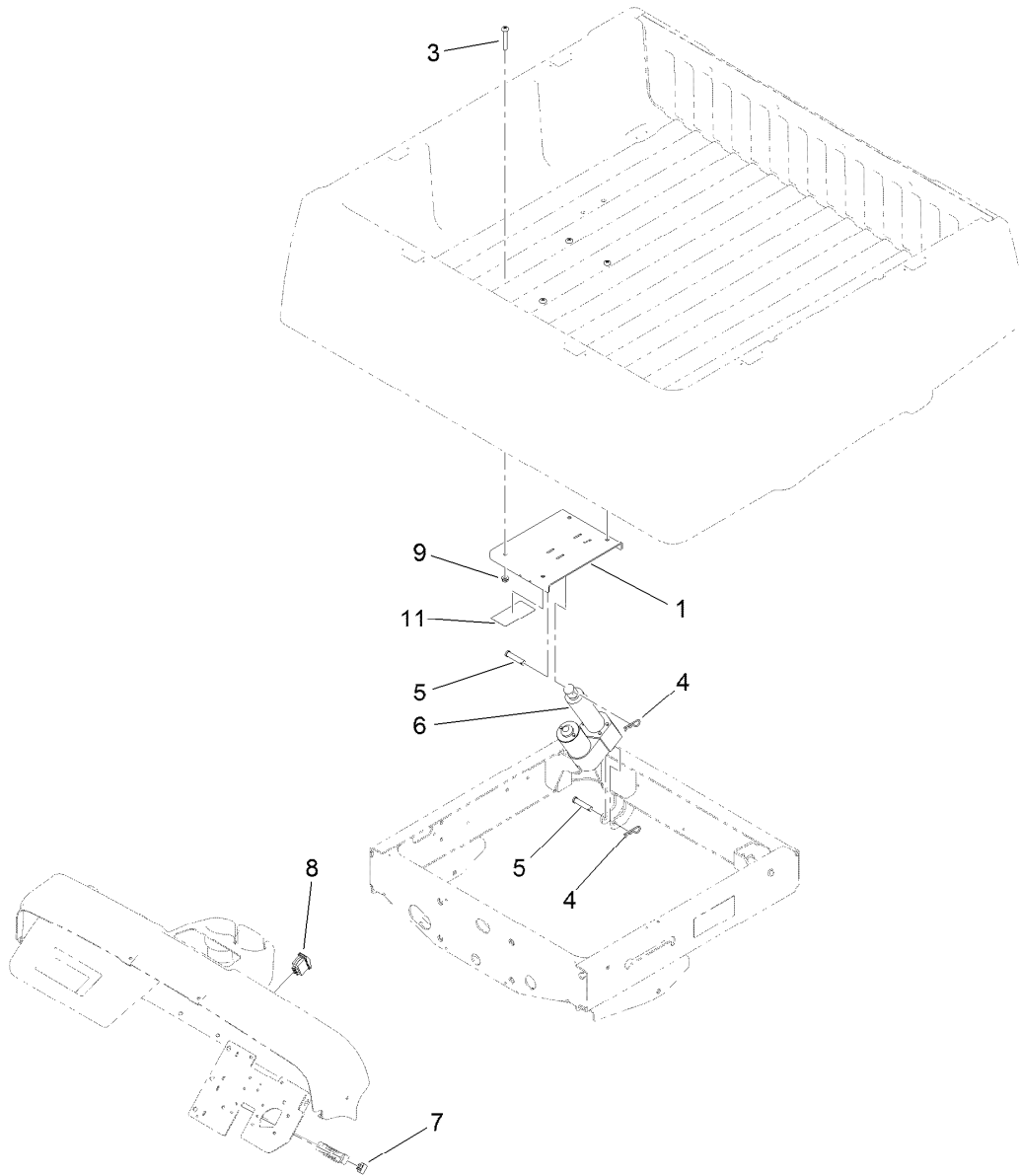
Count on it.

Parts Catalog

Electric Bed Lift Kit

**2011 and After Workman® MD/MDX/MDX-D
Utility Vehicle**

Model No. 07381—Serial No. 312000001 and Up



Electric Bed Lift Assembly

Ref.	Part Number	Qty.	Description
1	119-9471-03	1	Lift Bracket ASM
3	119-9615	4	Screw-PPH
4	3290-467	2	Pin-Hair
5	92-2739	2	Pin-Clevis
6	112-3273	1	Actuator-Linear, 5 Inch
7	99-7431	1	Fuse-Thermal, 15 Amp
8	94-1742	1	Switch
9	3290-357	4	Nut-HHF, Whiz
11	120-5060	1	Decal-Location, Pin