

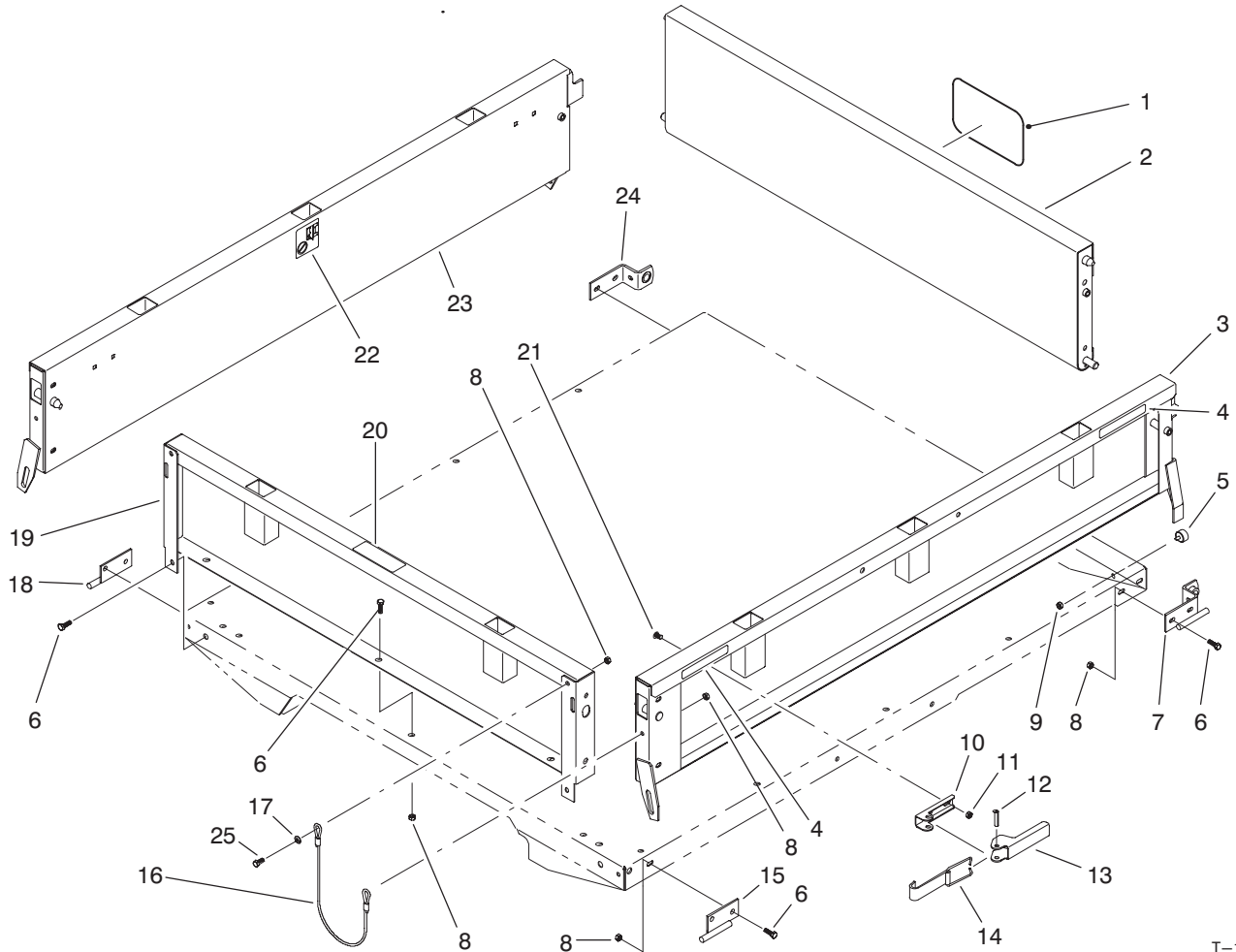


MODEL NO. 07303

PARTS
CATALOG

FOLD DOWN SIDE KIT

For Workman Vehicle Full Bed



T-1740A

FOLD DOWN SIDE ASSEMBLY

Ref. No.	Part No.	Description	No. Used
1	92-1242	Decal - TORO	1
2	92-5959	Tailgate	1
3	92-5980	Asm. - Drop Side Panel, LH (Incl. Ref. #4 & 22)	1
4	92-1319	Decal - Caution	4
4	93-9868	Decal - Caution (Europe)	1
5	240-14	Bumper - Rubber	2
6	322-4	Screw - HH	17
7	93-9578	Bracket - Pivot LH	1
8	32128-35	Nut - HHF	15
9	32149-2	Nut - Keps	2
10	92-1271	Pivot - Latch	4
11	32128-20	Nut - HHF	10
12	32121-25	Pin - Roll	4
13	93-9605	Handle - Latch	4

Ref. No.	Part No.	Description	No. Used
14	93-9607	Latch Assembly (Incl. Ref. #10 & 12-13)	4
15	92-1334	Plate - Pivot LH	1
16	92-5971	Lanyard - Side	2
17	3256-23	Washer - Flat	8
18	92-1335	Plate - Pivot RH	1
19	92-5982	Asm. - Front Panel (Incl. Ref. #20)	1
20	92-5955	Decal - No Riders	1
20	93-9867	Decal - No Riders (Europe)	1
21	3230-15	Bolt - Carriage	10
22	92-1349	Decal - No Weight	2
23	92-5981	Asm. - Drop Side Panel, RH (Incl. Ref. #4 & 22)	1
24	93-9577	Bracket - Pivot RH	1
25	322-16	Screw - HH	2