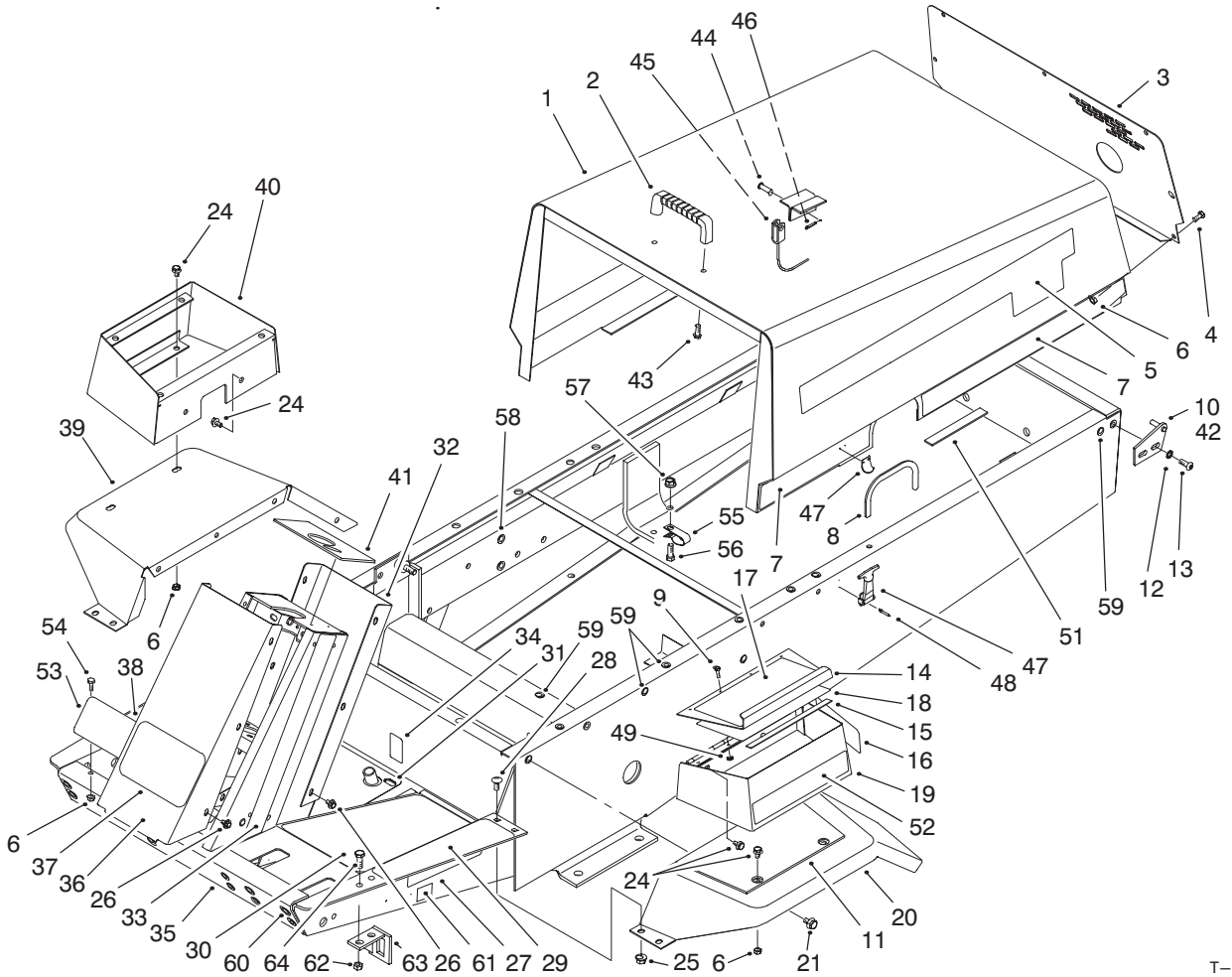




MODEL NO. 30243-60001 & UP MODEL NO. 30243TE-60001 & UP	<b>PARTS CATALOG</b>
<b>GROUNDMASTER 223-D 4wd TRACTION UNIT</b>	



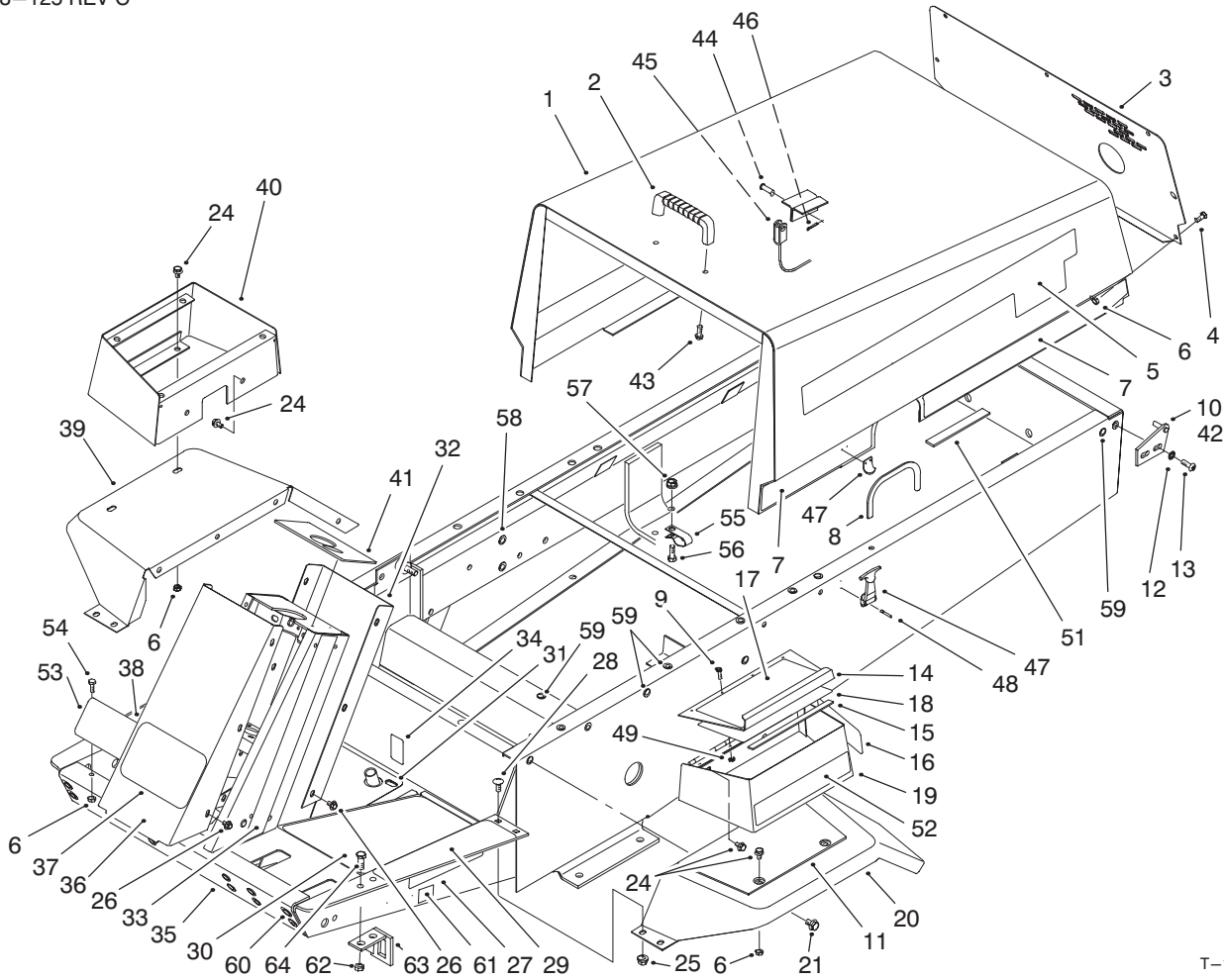
T-1817-4

## BODY ASSEMBLY

Ref. No.	Part No.	Description	No. Used
1	14-7149	Hood Assembly	1
2	65-5100	Handle - Hood	1
3	63-7030	Screen - Hood	1
4	321-3	Screw - Cap Hex. Hd.	7
5	93-3186	Decal - GM 223-D	2
6	32128-33	Nut - Flange	13
7	93-3193	Decal - Hood LH	1
*	93-3192	Decal - Hood RH	1
8	66-8110	Trim - Hood	1
9	3290-359	Screw - Machine	4
10	63-6900	Plate Hinge LH	1
11	76-4790	Pad - Rubber	1
12	3255-8	Washer - Lock, Ext. Tooth	4
13	3274-32	Screw - Hex. Hd. Socket	4
14	92-6502	Tool Box Cover Assembly (Incl. Ref. #17 & 18)	1
15	66-3050	Strip - Magnetic	1

Ref. No.	Part No.	Description	No. Used
16	27-7310	Decal (Caution Over Fill)	1
16	93-7822	Decal - Refueling (Europe)	1
17	92-8797	Decal - Warning	1
17	93-7804	Decal - Warning (Europe)	1
18	84-1960	Decal - Service	1
19	92-6501	Tool Box Assembly (Incl. Ref. #16)	1
20	63-7310	Fender LH	1
21	3234-14	Screw - Flange Hd.	8
24	3234-13	Screw - Flange Hd.	8
25	32128-20	Nut - Flange	4
26	46-6810	Screw - Cap Hex. Hd.	13
27	67-1720	Decal - Caution	2
27	93-7830	Decal - Torque (Europe)	2
28	3230-23	Bolt - Carriage	4
29	66-3200	Tread - Foot Rest LH	1
30	66-3210	Tread - Foot LH	1

\*Not Illustrated



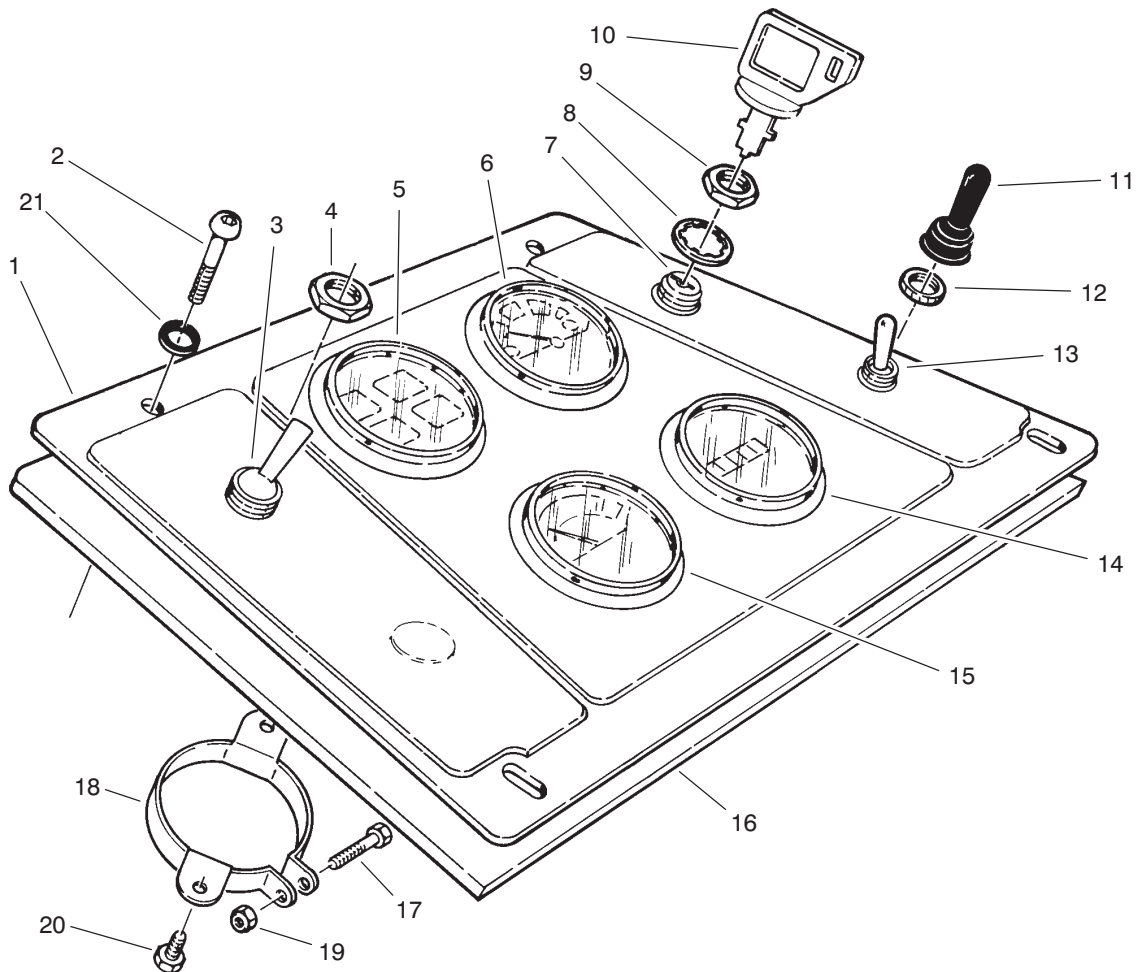
T-1817-4

## BODY ASSEMBLY (Continued)

Ref. No.	Part No.	Description	No. Used
31	92-5540	Tread - Foot RH	1
32	63-7320	Cover - Tower Rear	1
33	66-8760	Decal - Tower LH	1
*	66-8770	Decal - Tower RH	1
34	53-4430	Decal - Oil	1
34	93-7823	Decal - Oil (Europe)	1
35	92-6500	Frame Assembly (Incl. Ref. #27, 29-31, 34, 38, & 58-60)	1
36	92-5545	Cover - Tower Front	1
37	62-5550	Decal - TORO	1
38	92-5772	Decal Traction Pedal	1
38	93-7834	Decal Traction Pedal (Europe)	1
39	63-7300	Fender - RH	1
40	63-8050	Box - Control	1
41	66-2470	Plate - Tower	1
*42	63-6890	Plate - Hinge RH	1
43	46-8091	Screw - Cap Hex. Hd.	2
44	283-58	Pin - Clevis	1
45	66-2870	Cable - Hood Stop	1
46	3272-10	Pin - Cotter	1

Ref. No.	Part No.	Description	No. Used
47	59-9740	Latch Assembly	1
48	3290-271	Rivet	4
49	3296-12	Nut - Hex.	4
51	82-8950	Foam	2
52	72-3560	Decal - 4wd	2
53	92-5548	Shield - Pedal Stop	1
54	321-4	Screw - Cap Hex. Hd.	2
55	92-5753	Clamp - Hose	3
56	322-5	Screw - Cap Hex. Hd.	3
57	32128-44	Nut - Flange Lock	3
58	32148-9	Nut - Clinch	3
59	32148-7	Nut - Clinch	22
60	32148-10	Nut - Clinch	10
61	93-7252	Decal - CE (Europe)	1
62	32153-2	Nut - Lock (Europe)	4
63	93-8474	Bracket - Latch, LH (Europe)	1
*	93-8473	Bracket - Latch, RH (Europe)	1
64	323-6	Screw - Cap Hex. Hd. (Europe)	4

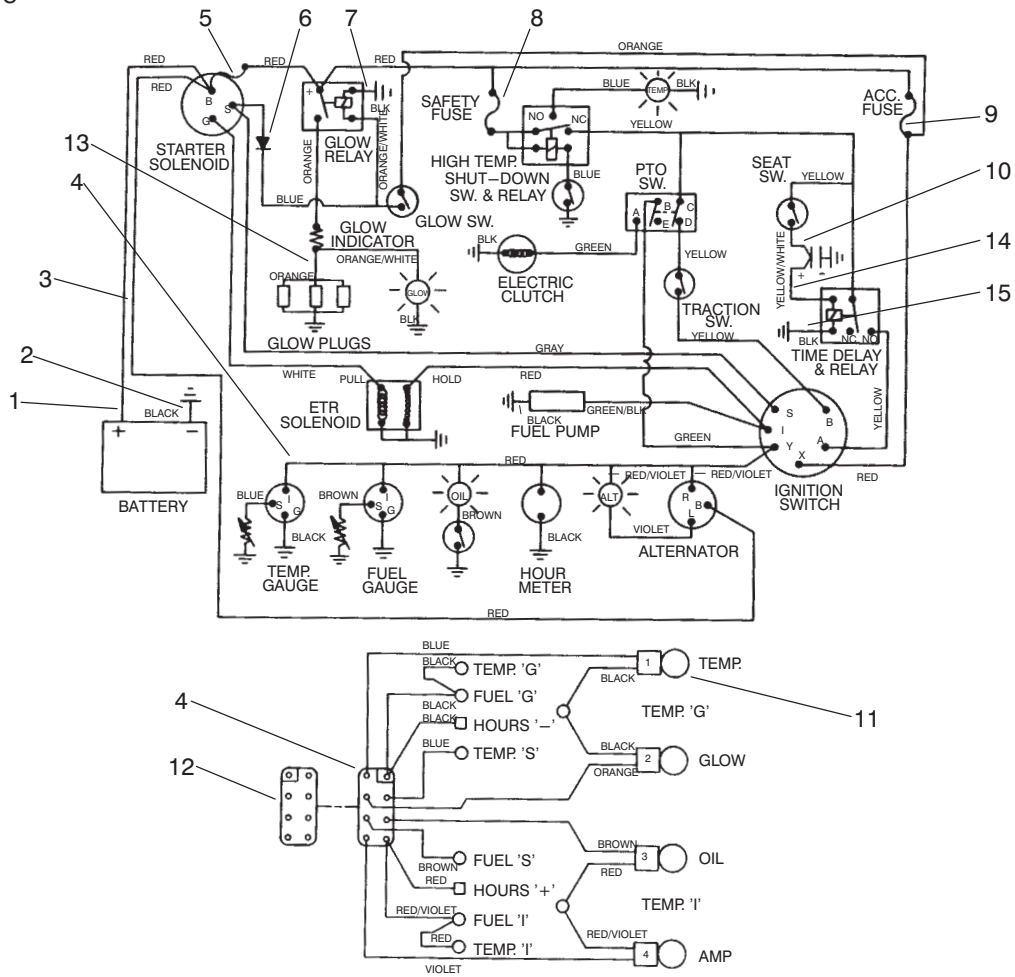
\*Not Illustrated



T-0525A

## CONTROL PANEL ASSEMBLY

Ref. No.	Part No.	Description	No. Used	Ref. No.	Part No.	Description	No. Used
1	66-2460	Panel - Control	1	11	218-473	Boot - Switch	1
1	93-7835	Panel - Control (Europe)	1	12	218-497	Nut - Face	1
2	3274-65	Screw - Socket Button Hd.	4	13	6-1659	Glow Plug Switch Assembly (Incl. Ref. #11 & 12)	1
3	85-4980	PTO Switch Assembly (Incl. Ref. #4)	1	14	66-2950	Meter - Hour	1
4	218-576	Nut - Hex.	1	15	63-7430	Gage - Temperature	1
5	66-2960	Cluster - Warning Light	1	16	85-7560	Plate - Control Panel	1
6	66-2940	Gage - Fuel	1	17	32105-1	Screw	1
7	27-2360	Ignition Switch Assembly (Incl. Ref. #8-10)	1	18	69-4780	Clamp - Gauge	1
8	218-447	Washer - Lock	1	19	3296-12	Nut - Lock	1
9	218-446	Nut - Hex.	1	20	32144-1	Screw - Hex. Hd.	2
10	63-8360	Key - Ignition	1	21	3256-1	Washer - Flat	4

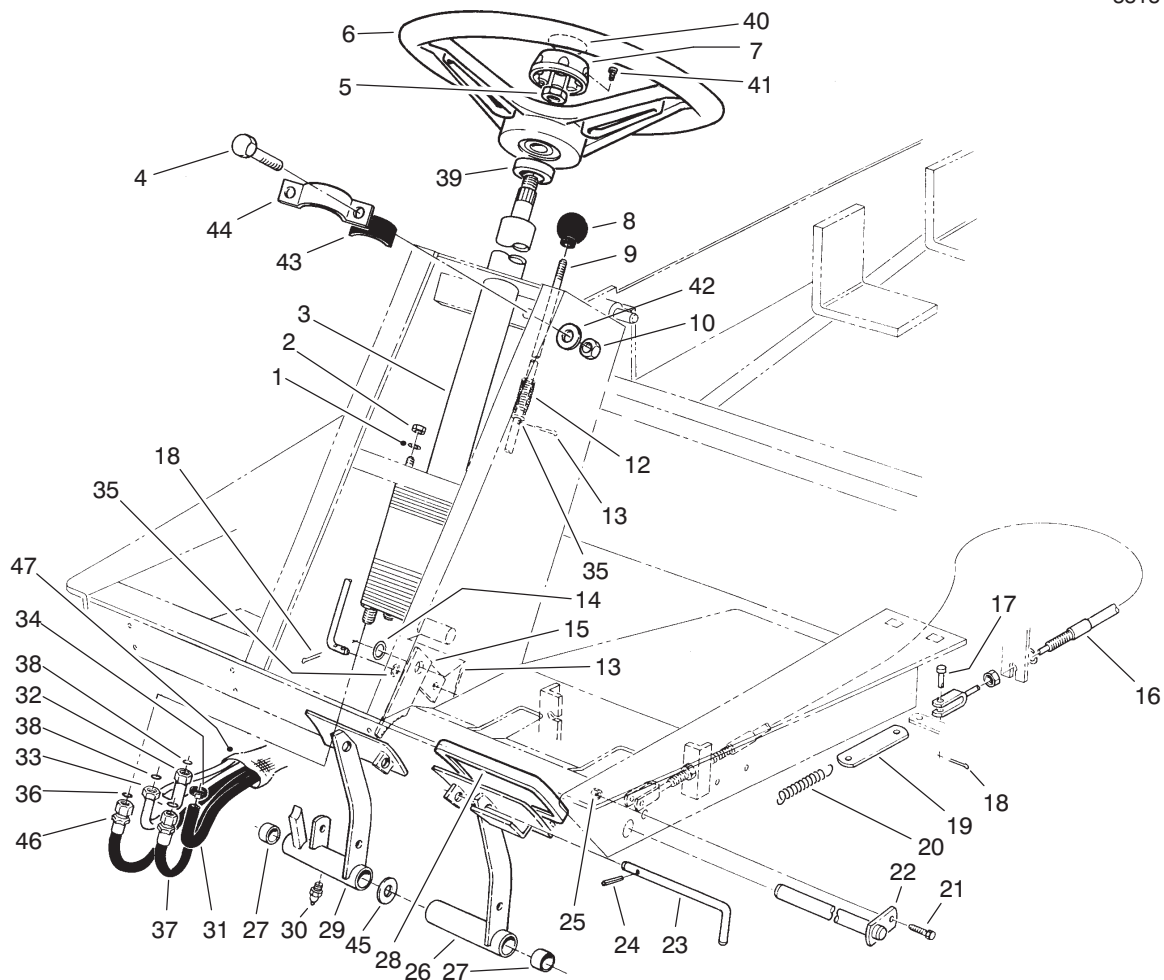


T-0526

## ELECTRICAL SCHEMATIC

Ref. No.	Part No.	Description	No. Used
1	43-4031	Wire - Positive	1
2	63-7340	Wire - Ground	1
3	85-7540	Wire Harness (Incl. Ref. #5-7 & 10)	1
4	66-8690	Lamp Harness (Incl. Ref. #11)	1
5	67-7120	Fusible Link	1
6	86-7470	Diode	1
7	67-7140	Ground Wire	1

Ref. No.	Part No.	Description	No. Used
8	218-574	Fuse 7.5A	1
9	218-573	Fuse 5.0A	2
10	70-7280	Wire - Seat	1
11	219-17	Bulb - Light	4
12	68-7380	Connector Assembly	1
13	68-7370	Wire - Glow	1
14	67-7180	Wire - Seat	1
15	67-7190	Wire - Ground	1

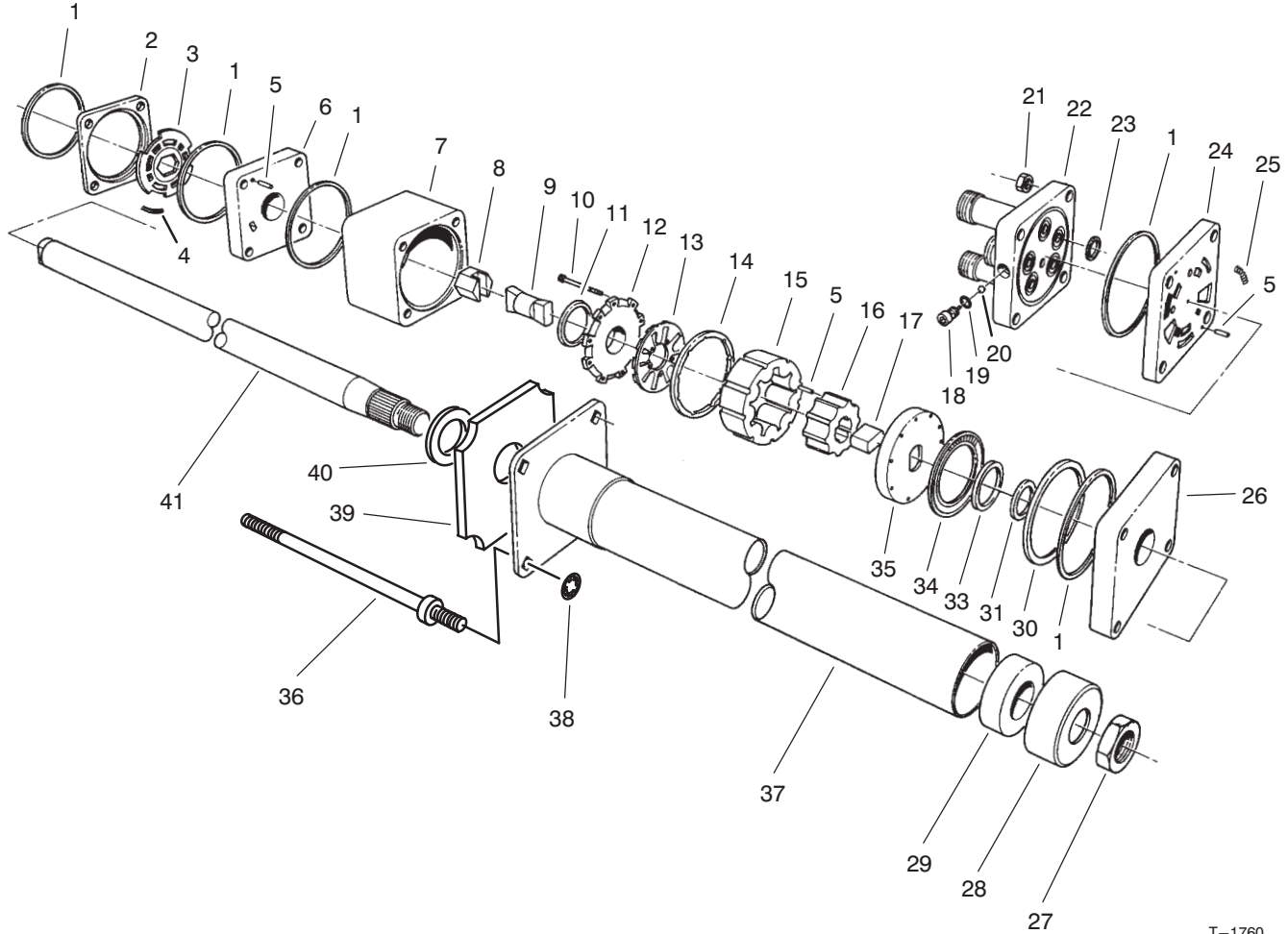


T-2354

## POWER STEERING & BRAKE PEDAL ASSEMBLY

Ref. No.	Part No.	Description	No. Used	Ref. No.	Part No.	Description	No. Used
1	3256-23	Washer - Flat	4	25	3296-42	Nut - Lock	1
2	3296-20	Nut - Lock	4	26	63-6180	Brake Pedal Assembly LH (Incl. Ref. #27 & 30)	1
3	92-7308	Power Steering Valve Assy. (Incl. Ref. #7)	1	27	256-42	Bushing	4
4	322-5	Screw - Cap Hex. Hd.	2	28	7-3900	Foot Pad - Brake	2
5	3220-6	Nut - Hex.	1	28	93-8742	Foot Pad - Brake (Europe)	2
6	75-0560	Wheel - Steering (Incl. Ref. #7 & 41)	1	29	63-6190	Brake Pedal Assembly RH (Incl. Ref. #27 & 30)	1
7	68-5140	Steering Wheel Cap Assy. (Incl. Ref. #41)	1	30	302-5	Fitting - Grease	2
8	233-17	Knob	1	31	66-8140	Hose	1
9	63-7910	Rod - Brake Latch	1	32	66-8630	Tube - Hydraulic	1
10	3296-29	Nut - Lock	2	33	66-8620	Tube - Hydraulic	1
12	95-1821	Spring	1	34	2412-36	Clamp	2
13	3272-5	Pin - Cotter	3	35	3256-22	Washer - Flat	3
14	3256-26	Washer - Flat	1	36	237-30	O-Ring	2
15	63-7900	Rack - Brake	1	37	92-5080	Hose - Hydraulic	1
16	63-7730	Cable - Brake RH	1	38	237-22	O-Ring	2
*	63-7731	Cable - Brake LH	1	39	21-9260	Cover - Dust	1
17	283-58	Pin - Clevis	4	40	68-5370	Decal - Toro	1
18	3272-10	Pin - Cotter	5	41	32144-21	Screw - Pan Hd. Phillips	1
19	63-6750	Link - Brake Cable	2	42	3256-23	Washer - Flat	2
20	3-7243	Spring - Return	2	43	84-7670	Foam - Column Support	2
21	321-3	Screw - Cap Hex. Hd.	1	44	84-7660	Clamp - Column	1
22	63-6210	Pin - Brake	1	45	3256-69	Washer - Flat	A/R
23	63-7880	Pin - Brake Latch	1	46	92-5081	Hose - Hydraulic	1
24	32121-50	Pin - Roll	1	47	44-8530	Sock - Hose	1

\*Not Illustrated



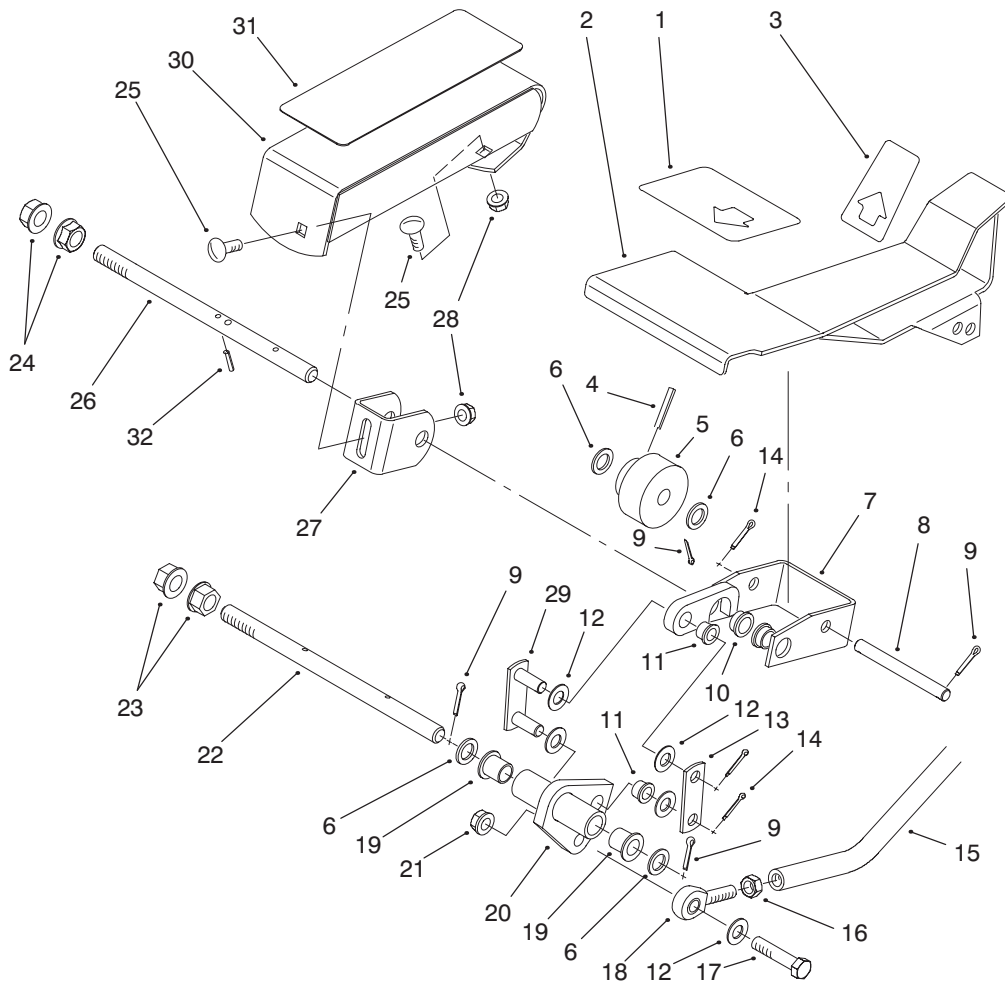
T-1760

## STEERING VALVE ASSEMBLY NO. 92-7308

Ref. No.	Part No.	Description	No. Used
1		Ring - Seal	
2		Ring - Valve	
3		Plate - Valve	
4		Spring	3
5		Pin - Alignment	9
6		Manifold - Isolation	1
7		Ring - Metering	1
8		Hex. Drive Assembly	1
9		Link - Drive	1
10		Screw - Hex. Socket Hd.	11
11		Seal - Commutator	1
12		Cover - Commutator	1
13		Commutator	1
14		Ring - Commutator	1
15		Stator	1
16		Rotor	1
17		Spacer - Drive Link	1
18		Plug	1
19		O-Ring	1
20		Ball	1
21		Nut - Hex.	4
22		Cover - Port	1
23		O-Ring	5
24		Manifold - Port	1
25		Spring	3

Ref. No.	Part No.	Description	No. Used
26		Plate - Upper Cover	1
27	3220-6	Nut	1
28	92-7315	Seal	1
29		Bearing	1
30		Spacer - Bearing, Thrust	1
31		Spacer - Seal	1
33		Seal - Face	1
34		Bearing - Thrust	1
35		Plate - Drive	1
36	92-7310	Bolt - Special	4
37		Upper Cover & Jacket	1
38	92-7316	Nut - Pus On	4
39	92-7317	Foam	1
40		Washer - Retaining	1
41		Shaft - Input	1
*	66-9970	Kit - Spring (Incl. Ref. #4 & 25)	1
*	66-9980	Kit - Seal (Incl. Ref. #1, 11, 19, 23 & 33)	1
*	66-9990	Kit - Needle Roller (Incl. Ref. #5)	1
*	92-7314	Assembly - Column (Incl. Ref. #27-29 & 37-41)	1

\*Not Illustrated

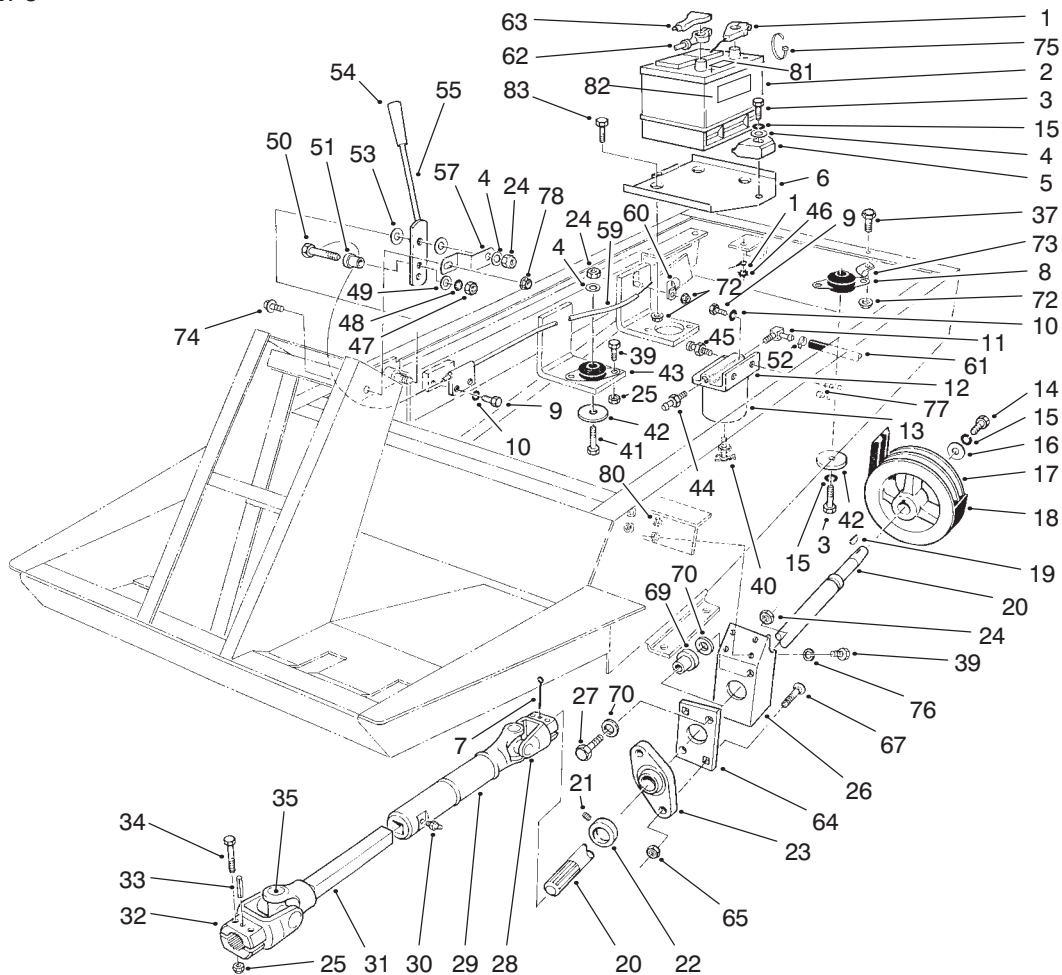


T-1688C

## TRACTION PEDAL ASSEMBLY

Ref. No.	Part No.	Description	No. Used
1	94-3307	Pad - Traction Pedal Front	1
2	94-3591	Pedal - Traction	1
3	94-3308	Pad - Traction Pedal Rear	1
4	32121-6	Pin - Roll	1
5	28-5220	Wheel - Friction	1
6	5-7570	Washer	4
7	92-5093	Bracket - Pivot	1
8	92-5537	Pin - Pedal Pivot	1
9	3272-10	Pin - Cotter	4
10	256-156	Bushing - Flange	2
11	256-116	Bushing	2
12	3256-24	Washer - Flat	5
13	92-5721	Plate - Link	1
14	3272-6	Pin - Cotter	3
15	92-5536	Tube - Traction Control	1
16	3220-3	Nut - Jam	1

Ref. No.	Part No.	Description	No. Used
17	323-9	Screw - Cap Hex. Hd.	1
18	2411-36	End - Rod	1
19	256-219	Bushing	2
20	92-5094	Arm - Traction	1
21	3296-39	Nut - Lock	1
22	92-5075	Shaft - Traction Pedal	1
23	32128-49	Nut - Flange	2
24	32128-56	Nut - Flange	2
25	3230-2	Bolt - Carriage	2
26	92-5534	Shaft - Traction Pedal	1
27	92-5077	Bracket - Footrest	1
28	32128-44	Nut - Flange Lock	2
29	92-5532	Link	1
30	92-5514	Footrest	1
31	92-5750	Pad - Footrest	1
32	32128-50	Pin - Roll	1



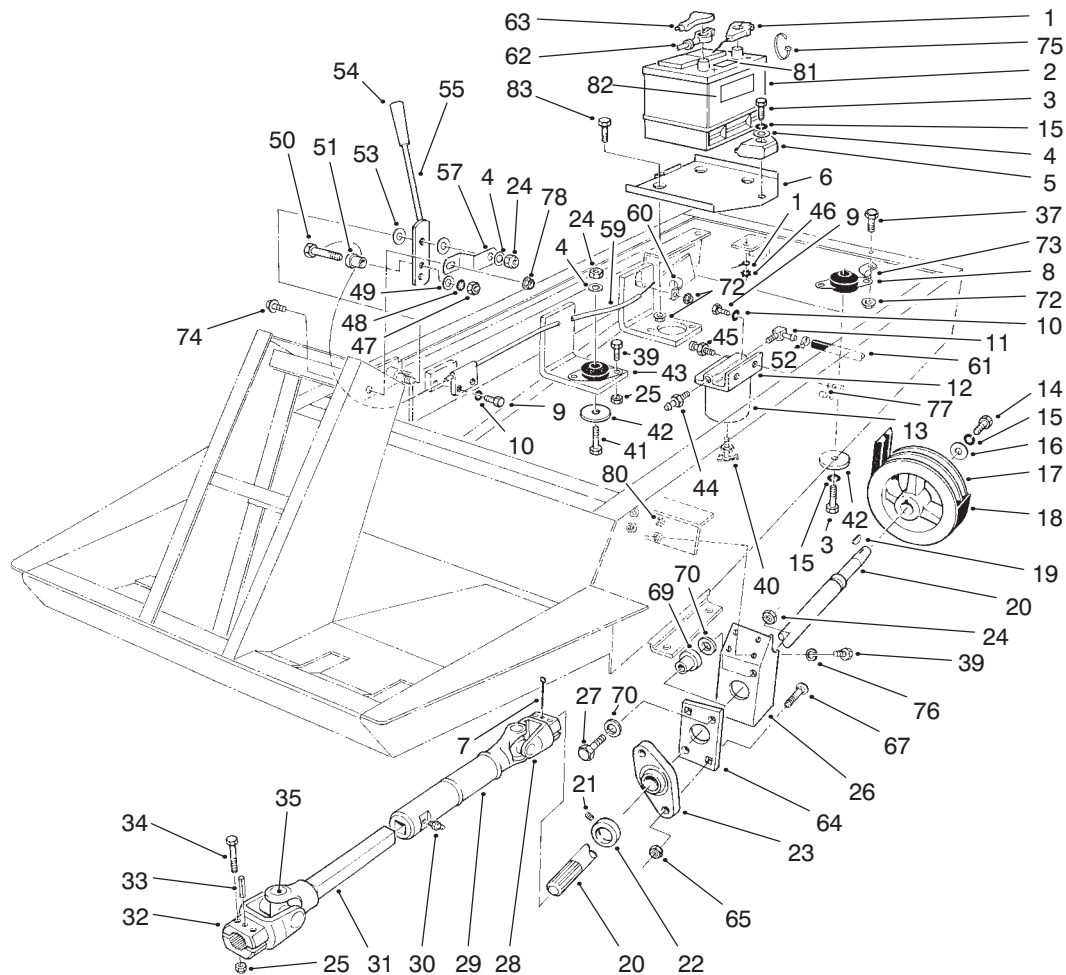
T-0530-3

## POWER TAKE OFF, BATTERY, AND ENGINE MOUNT ASSEMBLY

Ref. No.	Part No.	Description	No. Used
1	63-7340	Wire - Ground Battery	1
†2		Type 26 SMF-5	1
3	323-9	Screw - Cap Hex. Hd.	2
4	3256-24	Washer - Flat	4
5	66-2490	Clamp - Battery Retainer	1
6	66-2330	Base - Battery	1
7	3272-15	Pin - Cotter	1
8	63-7141	Mount - Shock (Red)	1
9	321-4	Screw - Cap Hex. Hd.	4
10	3253-3	Washer - Lock	4
11	353-781	Fitting 90°	1
12	63-8280	Head Assembly	1
13	63-8300	Element - Spin-On	1
14	323-18	Screw - Cap Hex. Hd.	1
15	3253-21	Washer - Lock	3
16	29-4730	Washer - PTO	1
17	43-5320	Pulley - PTO	1
18	63-6240	Belt - PTO	1
19	3257-5	Key - Woodruff	1
20	92-8855	Shaft - PTO	1
21	3245-35	Screw - Set	1
22	251-77	Collar - Locking	1

Ref. No.	Part No.	Description	No. Used
23	92-8799	PTO Shaft Bearing Assembly (Incl. Ref. #21 & 22)	1
24	3296-39	Nut - Lock	7
25	3296-29	Nut - Lock	12
26	92-8751	Bracket - PTO Bearing	1
27	323-10	Screw - Cap Hex. Hd.	2
28	54-9090	Yoke - End	1
29	54-9170	Tube - Slip Yoke	1
30	302-58	Fitting - Grease	1
31	54-9050	Shaft - Slip Yoke	1
32	54-9040	Yoke - End	1
33	32121-34	Pin - Roll	1
34	322-9	Screw - Cap Hex. Hd.	4
35	54-9180	Kit - Universal Joint	2
37	322-3	Screw - Cap Hex. Hd.	1
39	322-5	Screw - Cap Hex. Hd.	12
40	63-8310	Valve - Drain	1
41	323-11	Screw - Cap Hex. Hd.	3
42	63-7400	Washer - Rebound	4
43	63-7142	Mount - Shock (Yellow)	3
44	353-783	Fitting - Straight	1
45	63-8290	Vent - Air	1
46	3255-8	Washer - Lock, Ext. Tooth	1

†Obtain Locally

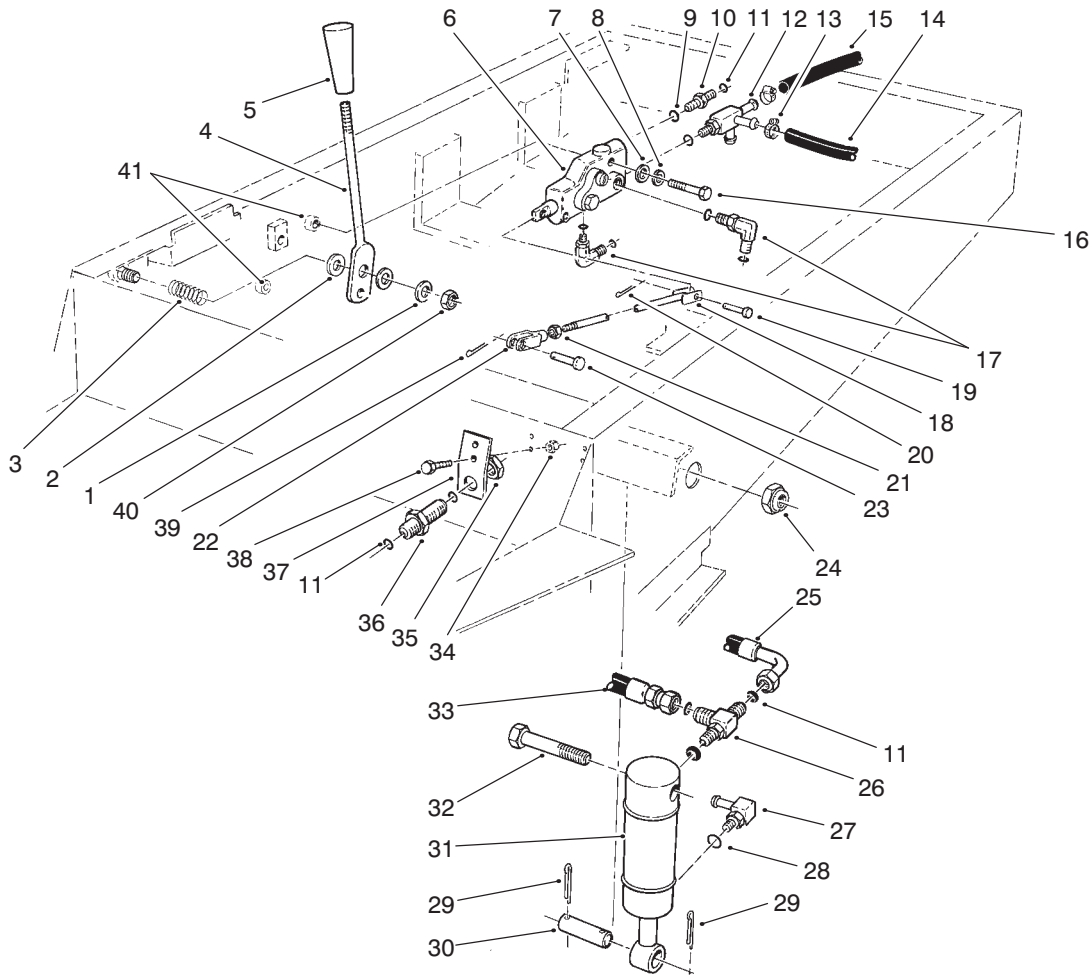


T-0530-3

## POWER TAKE OFF, BATTERY, AND ENGINE MOUNT ASSEMBLY (Continued)

Ref. No.	Part No.	Description	No. Used	Ref. No.	Part No.	Description	No. Used
47		Nut – Hex.	1	72	32128-20	Nut – Flange	4
48		Washer – Lock ITLW	1	73	2412-104	R-Clamp	1
49		Washer – Flat	1	74	3234-13	Screw – Flange Hd.	1
50		Screw – Special	1	75	3290-378	Tie – Cable	1
51		Sleeve – Connector	1	76	3253-4	Washer – Lock	4
52	2412-108	Clamp	2	77	32148-11	Nut – Clinch	2
53	66-2920	Washer – Friction	2	78	32128-33	Nut – Flange Hd.	1
54	233-39	Knob	1	80	32148-8	Nut – Clinch	4
55	71-3500	Lever – Throttle	1	81	93-7276	Decal – Danger (Europe)	1
57	66-2670	Bracket – Throttle	1	82	93-6668	Decal – Battery Charging Instructions (Europe)	1
59	76-1000	Cable – Throttle	1	83	322-7	Screw – Cap Hex. Hd.	3
61	63-7610	Hose	1	*	63-6760	Throttle Cable Swivel Assy. (Incl. Ref. #47-51)	1
62	43-4031	Cable – Battery Positive	1	*	54-7950	Drive Shaft Assembly (Incl. Ref. #28-32 & 35)	1
63	28-1280	Boot – Positive Cable	1	*	95-3074	Kit – 400 Hour Filter (Incl. Ref. #13)	1
64	84-7580	Plate – Bushing Support	1				
65	32149-1	Nut – Lock	2				
67	3230-4	Bolt – Carriage	2				
69	63-9750	Mount	2				
70	63-8410	Washer – Flat	4				

\*Not Illustrated



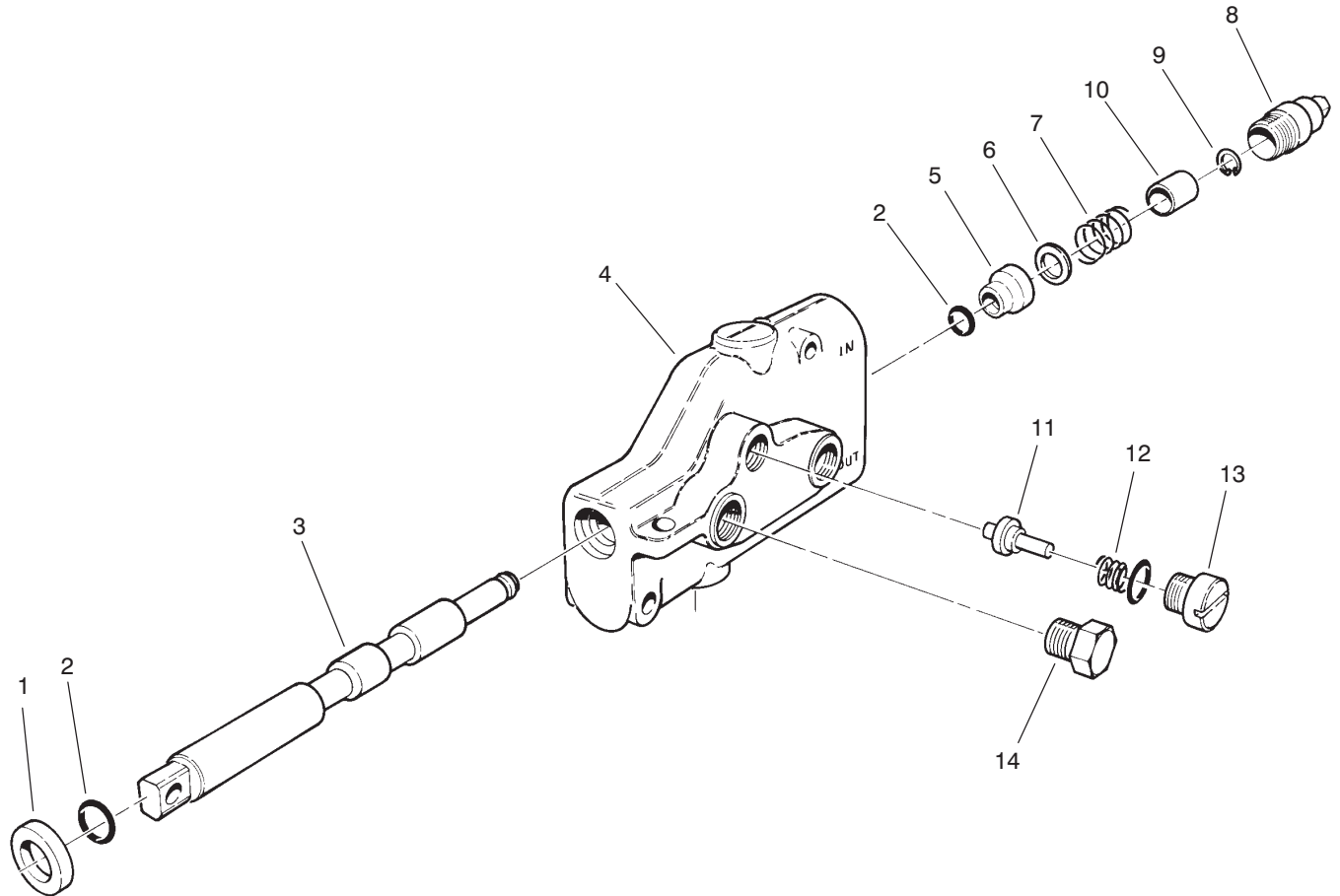
T-0531

## HYDRAULIC LIFT SYSTEM ASSEMBLY

Ref. No.	Part No.	Description	No. Used
1	3256-23	Washer - Flat	1
2	3256-26	Washer - Flat	2
3	70-7530	Spring - Compression	1
4	66-2720	Lever - Lift	1
5	233-39	Knob	1
6	63-7960	Valve - Lift	1
7	3256-22	Washer - Flat	2
8	3253-3	Washer - Lock	2
9	237-65	Seal - O-Ring	5
10	340-2	Fitting - Hydraulic Straight (Incl. Ref. #9 & 11)	1
11	237-22	Seal - O-Ring	7
12	66-3130	Fitting - Hydraulic Tee (Incl. Ref. #9)	1
13	2412-36	Clamp - Hose	3
14	66-8150	Hose - Hydraulic	1
15	66-8500	Hose	1
16	321-11	Screw - Cap Hex. Hd.	2
17	340-77	Fitting - Hydraulic 90° (Incl. Ref. #9 & 11)	2
18	76-4830	Rod - Tie	1
19	283-16	Pin - Clevis	1
20	3272-5	Pin - Cotter	1
21	3220-2	Nut - Jam RH	1
22	282-27	Clevis	1
23	283-58	Pin - Clevis	1
24	3296-15	Nut - Lock	2

Ref. No.	Part No.	Description	No. Used
25	66-8190	Hose - Hydraulic	1
26	340-86	Fitting - Hydraulic Tee (Incl. Ref. #9 & 11) (Used On Cap End of Left Cylinder)	1
*	340-77	Fitting - Hydraulic 90° (Incl. Ref. #9 & 11) (Used On Cap End of Right Cylinder)	1
27	304-99	Fitting - Hydraulic 90° (Incl. Ref. #28)	2
28	237-22	O-Ring	2
29	3272-23	Pin - Cotter	4
30	27-4240	Pin - Cylinder	2
31	63-6630	Cylinder - Lift	2
32	3216-3	Screw - Cap Hex. Hd.	2
33	66-8640	Hose - Hydraulic	1
34	3296-42	Nut - Lock	2
35	340-70	Nut - Fitting	1
36	340-71	Fitting - Hydraulic Bulkhead (Incl. Ref. #11 & 35)	1
37	63-7410	Bracket - Bulkhead	1
38	321-4	Screw - Cap Hex. Hd.	2
39	3272-10	Pin - Cotter	1
40	3296-29	Nut - Lock	1
41	32148-11	Nut - Clinch	2

\*Not Illustrated

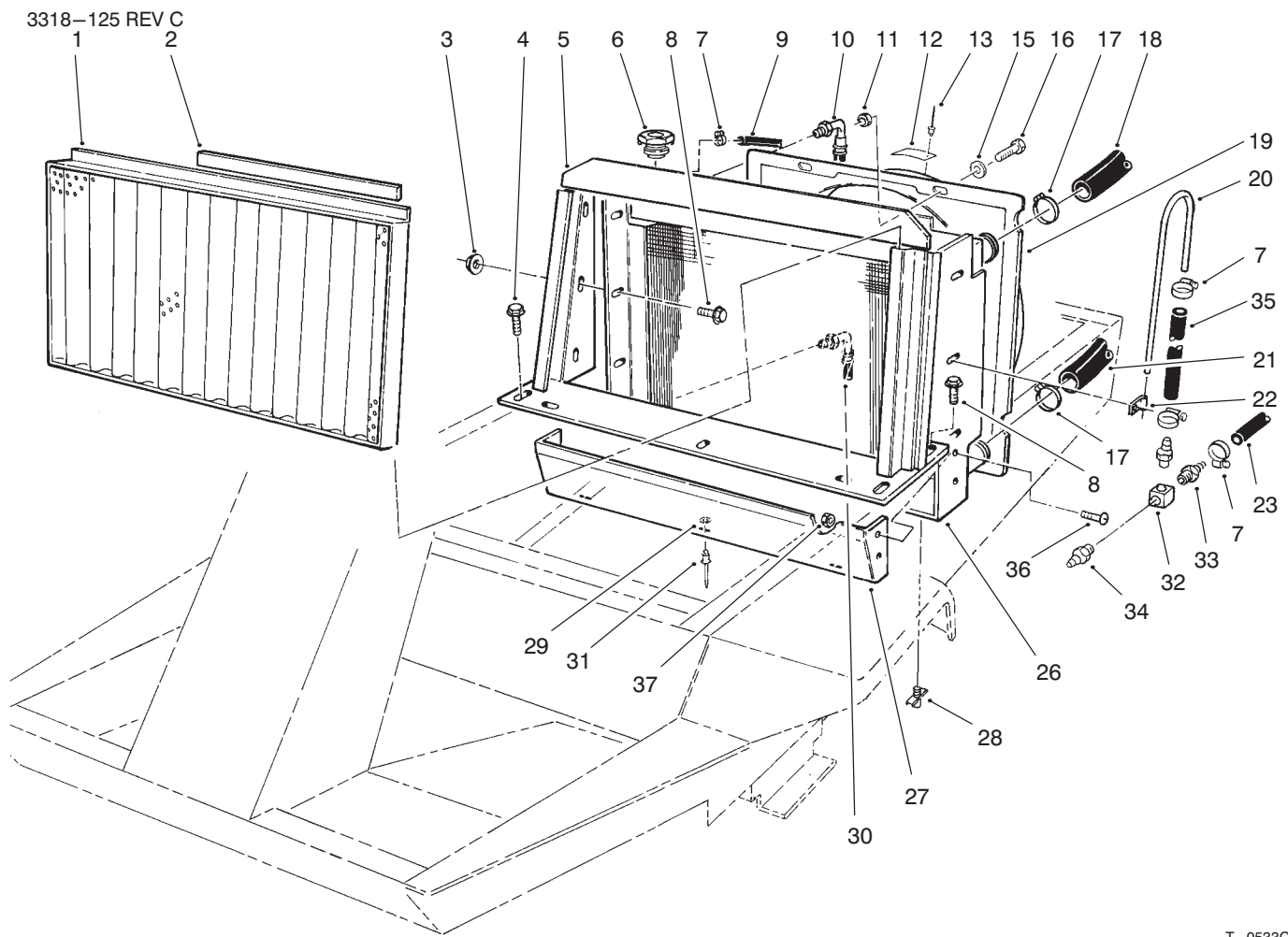


T-0532

## LIFT VALVE ASSEMBLY NO. 63-7960

Ref. No.	Part No.	Description	No. Used	Ref. No.	Part No.	Description	No. Used
1	58-6320	Wiper - Seal	1	9	58-6460	Ring - Retaining	1
2	58-6450	O-Ring	2	10	65-2740	Spacer	1
3		Spool	1	11	65-2750	Plunger	1
4		Body	1	12	65-2760	Spring	1
5	58-6400	Bushing	1	13	65-2930	Plug Assembly	1
6	65-2770	Washer	1	14	353-508	Plug Assembly	1
7	65-2950	Spring	1	*	63-7960	Lift Valve Assembly (Incl. Ref. #3 & 4)	1
8	58-6420	Cap Assembly	1				

\*Not Illustrated



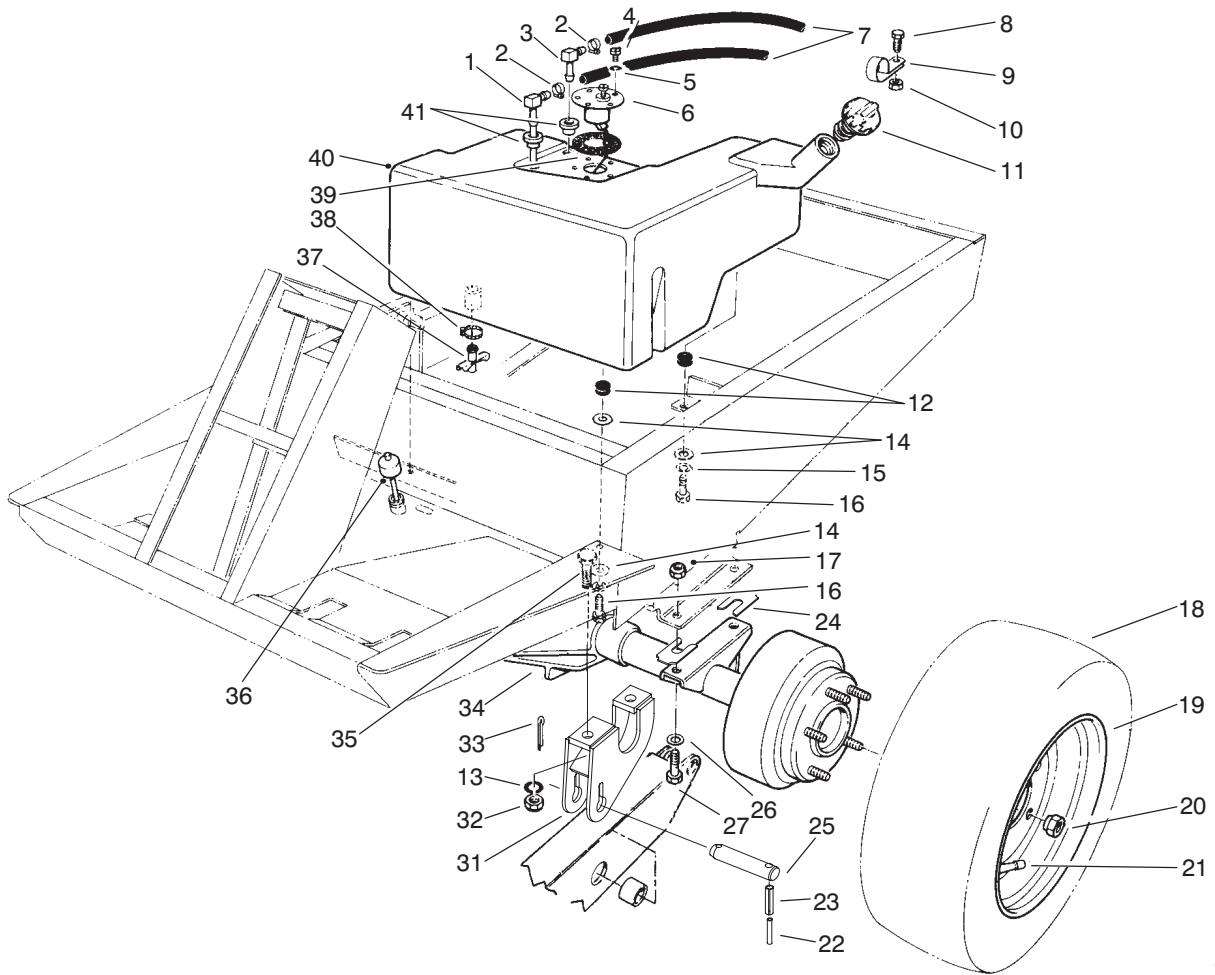
T-0533C

## RADIATOR ASSEMBLY

Ref. No.	Part No.	Description	No. Used
1	63-7700	Screen Assembly	1
2	63-7710	Magnetic Strip	1
3	32128-20	Nut - Lock	6
4	3234-17	Screw - Flange Hd.	2
5	92-5757	Radiator Support Assembly	1
6	66-3240	Cap - Radiator	1
7	2412-108	Clamp - Hose	8
8	3234-5	Screw - Flange Hd.	8
9	71-3384	Hose	1
10	66-8180	Hose Assembly	1
11	3296-42	Nut - Lock	4
12	76-8750	Plate - Warning	1
12	93-6681	Decal - Warning (Europe)	1
13	3290-55	Rivet	2
15	3256-22	Washer - Flat	4
16	321-4	Screw - Cap Hex. Hd.	4
17	2412-34	Clamp - Hose	4
18	93-9940	Hose - Upper	1
19	92-6503	Fan Shroud Assembly (Incl. Ref. #12 & 13)	1

Ref. No.	Part No.	Description	No. Used
20	66-3180	Tube - Vent	1
21	63-6020	Hose - Lower	1
22	2412-103	Clamp - R	2
23	63-7600	Hose - Fuel	1
26	82-2310	Radiator Assembly	1
27	63-6440	Shield - Radiator	1
28	304-46	Drain Cock	1
29	3269-10	Washer - Flat	3
30	66-8500	Hose Assembly	1
31	3269-13	Rivet	3
32	354-20	Block	1
33	354-22	Fitting - Fuel	2
34	354-21	Fitting - Fuel	1
35	66-3170	Hose	1
36	3249-3	Screw - Round Hd.	2
37	3217-29	Nut - Hex.	2
*	93-7840	Decal - Radiator Cap (Europe)	1

\*Not Illustrated



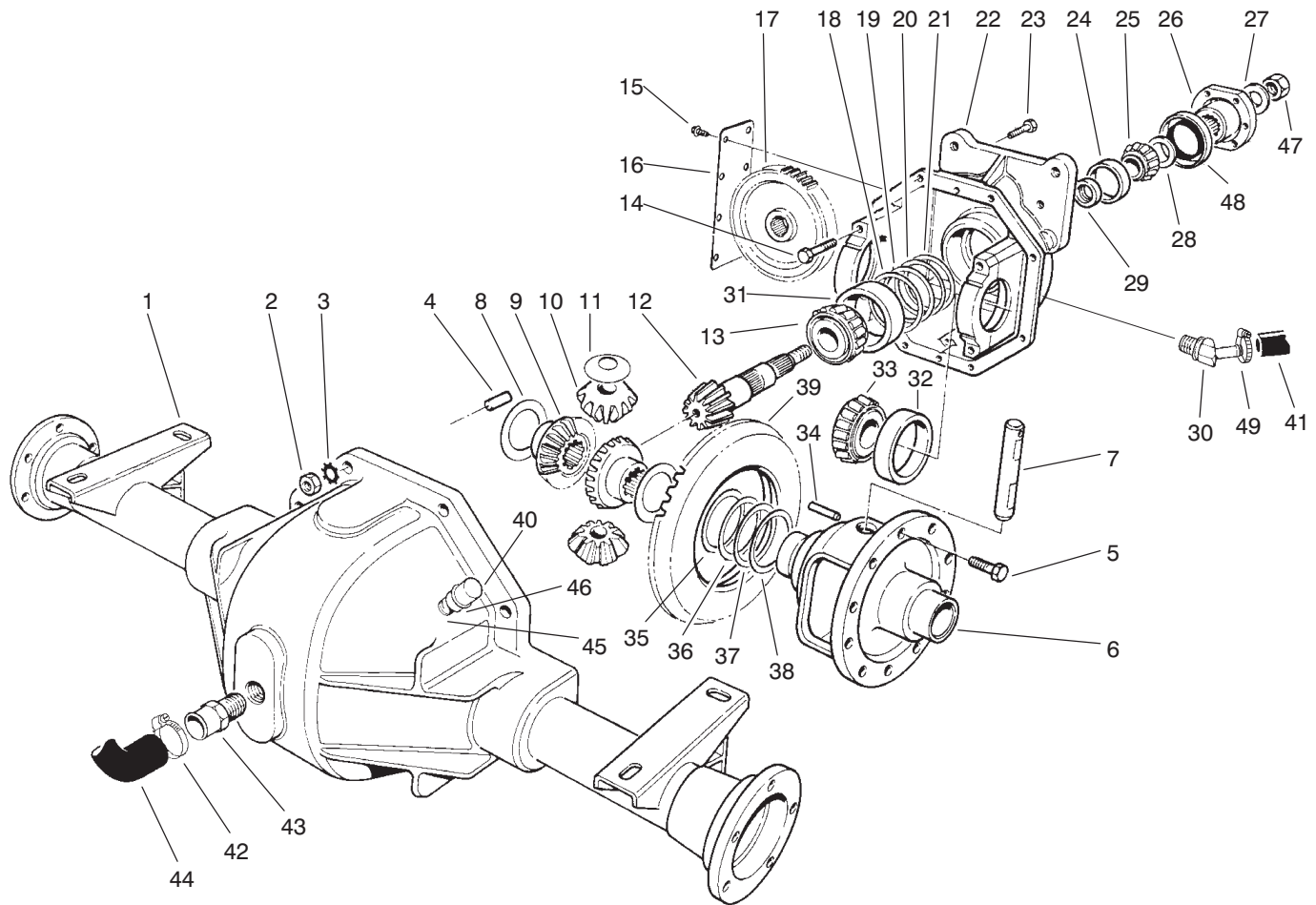
T-1943-2

## FUEL TANK AND AXLE ASSEMBLY

Ref. No.	Part No.	Description	No. Used
1	66-8120	Standpipe	1
2	2412-108	Clamp	4
3	46-6550	Fitting - Fuel 90°	1
4	32122-24	Screw - Machine	5
5	3253-15	Washer - Lock	5
6	63-7640	Sender - Fuel	1
7	63-7630	Hose	2
8	322-3	Screw - Cap Hex. Hd.	1
9	2412-147	R-Clamp	1
10	32128-20	Nut - Lock	1
11	93-3102	Cap - Fuel	1
12	237-136	Grommet	3
13	3253-8	Washer - Lock	4
14	3256-67	Washer - Flat	3
15	3253-3	Washer - Lock	5
16	321-5	Screw - Cap Hex. Hd.	3
17	3296-48	Nut - Lock	4
18	231-101	Tire - 23" x 8.5" x 12"	2
*	231-95	Tire - 23" x 10.5" x 12" (Optional)	2
19	217-117	Rim - 23" x 8.5" x 12"	2
*	217-116	Rim - 23" x 10.5" x 12" (Optional)	1
20	23-7270	Nut - Lug	10

Ref. No.	Part No.	Description	No. Used
21	232-27	Valve Stem w/Cap (For Standard 8.5" Rim)	2
*	232-27	Valve Stem w Cap (For Optional 10.5" Rim)	2
22	32121-71	Pin - Spring.	2
23	32121-49	pin - Spring.	2
24	42-6080	Shim - Axle	A/R
25	92-9788	Pin - Pivot (Incl. Ref. #22 & 23)	2
26	3256-25	Washer - Flat	4
27	324-5	Screw - Cap Hex. Hd.	4
31	92-9786	Bracket - Carrier	2
32	3219-6	Nut - Hex.	4
33	3272-17	Pin - Cotter	2
34	92-2377	Axle Assembly	1
35	3273-38	Screw - Hex Socket Hd.	4
36	66-3060	Dipstick - Differential	1
37	304-46	Fitting - Drain	1
38	2412-36	Clamp	1
39	62-7650	Gasket	1
40	92-8873	Tank - Fuel	1
41	46-6560	Bushing	2
*	62-7020	Wheel & Tire Assy. (Opt.) (23" x 10.5" x 12")	2

\*Not Illustrated



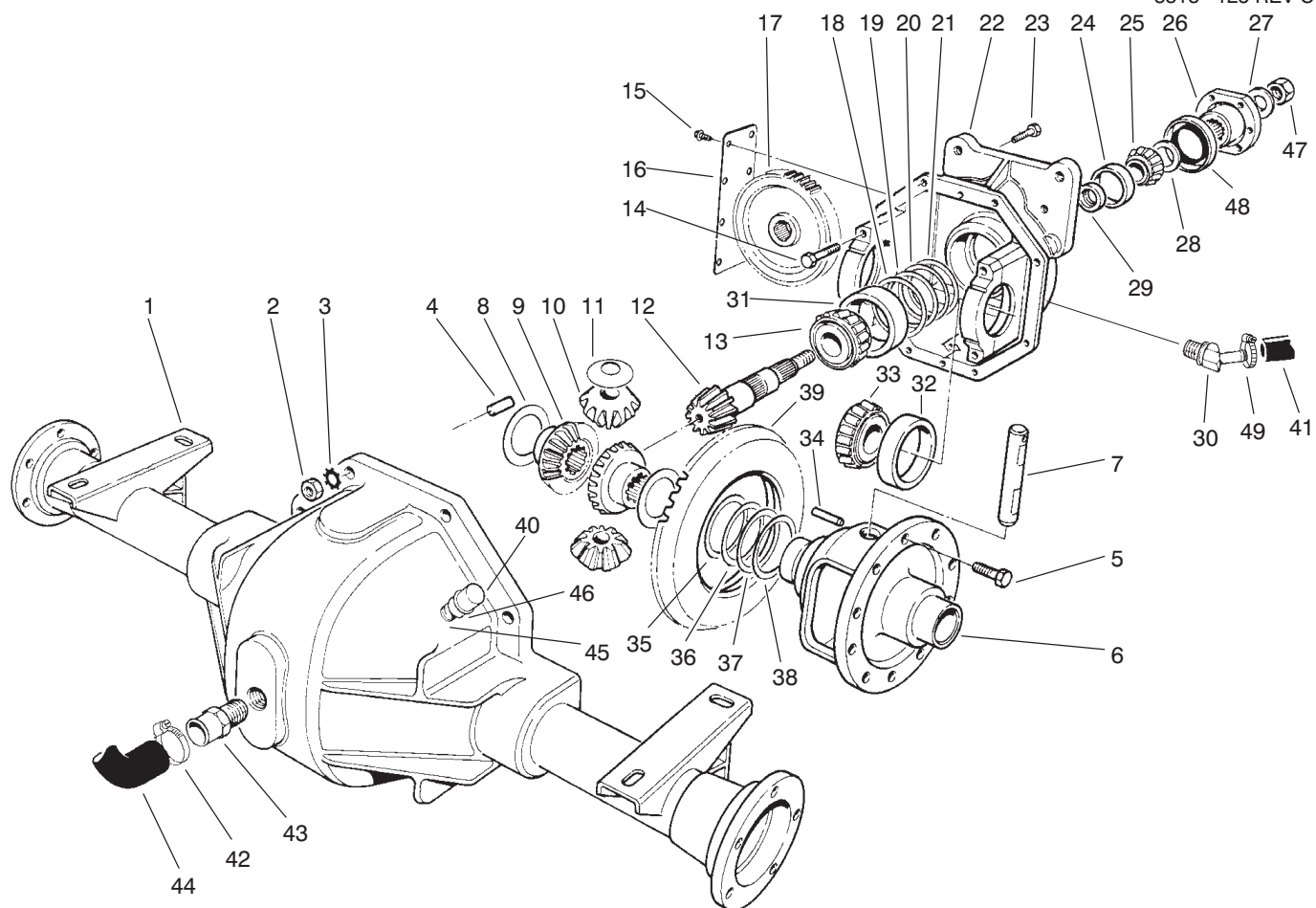
T-1691B

## FRONT AXLE ASSEMBLY NO. 92-2377

Ref. No.	Part No.	Description	No. Used
1	63-8090	Lower Housing Assembly	1
2	3219-2	Nut	8
3	3255-8	Washer - Lock, Ext. Tooth	8
4	21-8270	Pin - Dowel	2
5	21-7770	Screw - Drive Gear	5
6	21-7670	Differential Case	1
7	21-7700	Shaft - Pinion Mate	1
8	21-7720	Washer - Thrust	2
9	24-8790	Gear - Bevel, Differential	2
10	21-7690	Gear - Pinion	2
11	21-7730	Washer - Thrust	2
12		Drive Pinion	1
13	43-6760	Cone - Bearing, Tapered	1
14	92-1773	Screw - Cap Hex. Hd.	4
15	12-5450	Screw - Thread Forming	8
16	21-7830	Cover - Gear	1
17	86-7230	Gear - Spur	1
18	43-6710	Shim Adjusting Differential Bearing .003	A/R
19	43-6711	Shim Adjusting Differential Bearing .005	A/R
20	43-6712	Shim Adjusting Differential Bearing .010	A/R
21	43-6713	Shim Adjusting Differential Bearing .030	A/R

Ref. No.	Part No.	Description	No. Used
22	86-7190	Upper Housing Assembly (Incl. Ref. #14)	1
23	3210-7	Screw - Cap Hex. Hd.	8
24	254-90	Cup - Bearing	1
25	254-91	Cone - Bearing	1
26	68-7010	Flange	1
27	71-4340	Washer	1
28	72-3570	Shim .094 - Diff. Adjust.	A/R
*	72-3571	Shim .096 - Diff. Adjust.	A/R
*	72-3572	Shim .098 - Diff. Adjust.	A/R
*	72-3573	Shim .100 - Diff. Adjust.	A/R
*	72-3574	Shim .102 - Diff. Adjust.	A/R
*	72-3575	Shim .104 - Diff. Adjust.	A/R
*	72-3576	Shim .106 - Diff. Adjust.	A/R
*	72-3577	Shim .108 - Diff. Adjust.	A/R
*	72-3578	Shim .110 - Diff. Adjust.	A/R
*	72-3580	Shim .112 - Diff. Adjust.	A/R
*	72-3581	Shim .114 - Diff. Adjust.	A/R
*	72-3582	Shim .116 - Diff. Adjust.	A/R
*	72-3583	Shim .118 - Diff. Adjust.	A/R
*	72-3584	Shim .120 - Diff. Adjust.	A/R
*	72-3585	Shim .125 - Diff. Adjust.	A/R
*	72-3586	Shim .127 - Diff. Adjust.	A/R
*	72-3587	Shim .129 - Diff. Adjust.	A/R
*	72-3588	Shim .131 - Diff. Adjust.	A/R

\*Not Illustrated

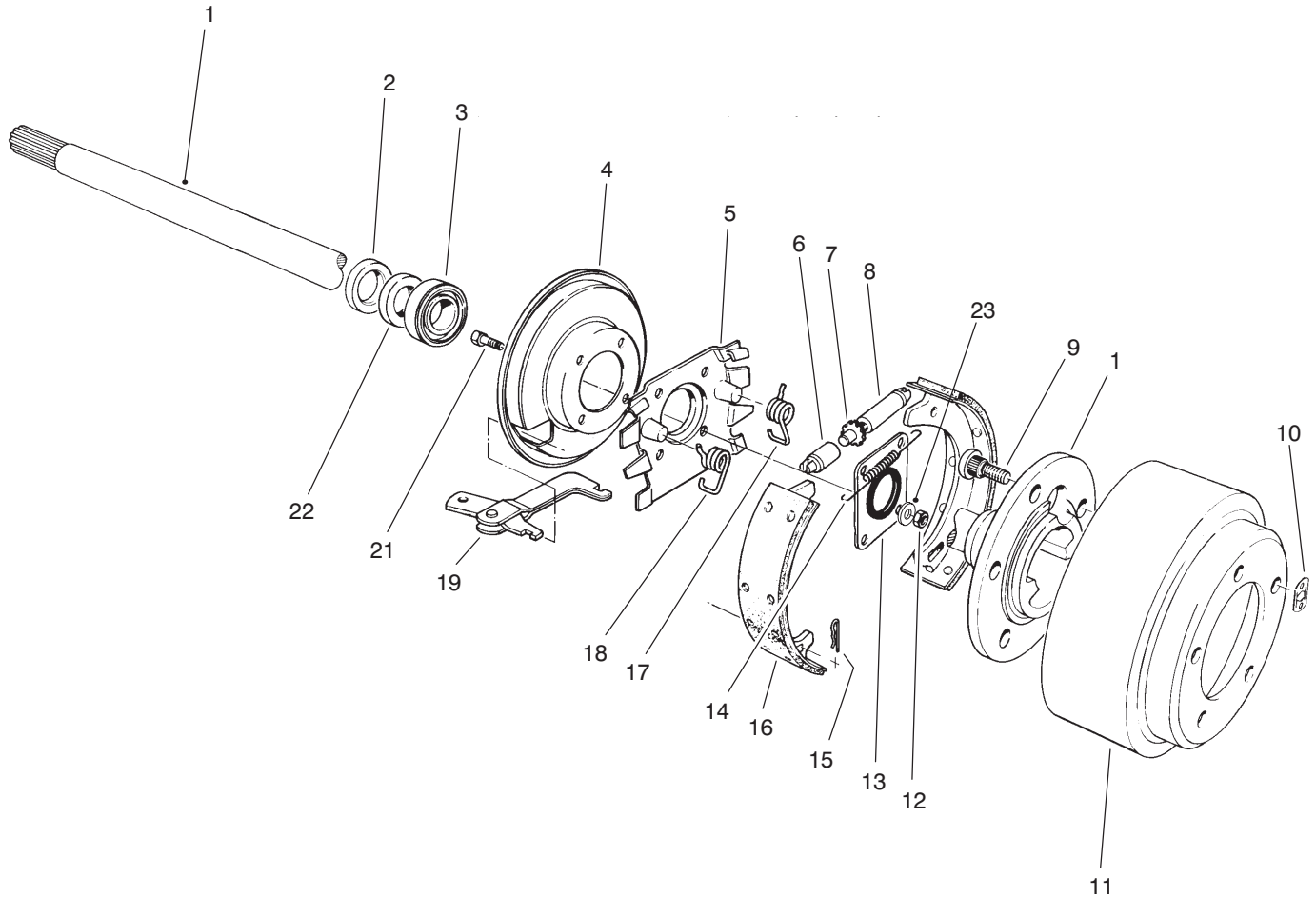


T-1691B

## FRONT AXLE ASSEMBLY NO. 92-2377 (Continued)

Ref. No.	Part No.	Description	No. Used	Ref. No.	Part No.	Description	No. Used
28	72-3590	Shim .133 - Diff. Adjust.	A/R	37	21-8110	Differential Adjust. Shim. .010	A/R
*	72-3591	Shim .135 - Diff. Adjust.	A/R	38	21-8120	Differential Adjust. Shim. .030	A/R
*	72-3592	Shim .137 - Diff. Adjust.	A/R	39		Gear - Ring	1
*	72-3593	Shim .139 - Diff. Adjust.	A/R	40	72-9420	Vent Assembly	1
*	72-3594	Shim .141 - Diff. Adjust.	A/R	41	92-5083	Hose - Hydraulic	1
*	72-3595	Shim .143 - Diff. Adjust.	A/R	42	2412-34	Clamp - Hose	2
*	72-3596	Shim .145 - Diff. Adjust.	A/R	43	354-71	Pipe Nipple	1
*	72-3597	Shim .147 - Diff. Adjust.	A/R	44	77-0550	Tube - Fill	1
*	72-3598	Shim .149 - Diff. Adjust.	A/R	45	289-6	Nipple - Pipe	1
*	72-3600	Shim .151 - Diff. Adjust.	A/R	46	2810-1	Coupler	1
29	21-8020	Spacer - Frt. Pinion Bearing	1	47	71-4350	Nut	1
30	92-5088	Fitting - 45°	1	48	71-4330	Seal	1
31	43-6750	Cup - Bearing	1	49	2412-119	Clamp - Hose	1
32	254-66	Cup - Bearing	2	*	92-1676	Gear & Pinion Assembly (Incl. Ref. #12 & 39)	1
33	254-65	Cone - Bearing	2	*	92-4907	Assembly - Diff. Carrier (Incl. Ref. #5-22, 24-29, 31-39 & 47-48)	1
34	32121-15	Pin - Roll	1				
35	21-8090	Differential Adjust. Shim. .003	A/R				
36	21-8100	Differential Adjust. Shim. .005	A/R				

\*Not Illustrated



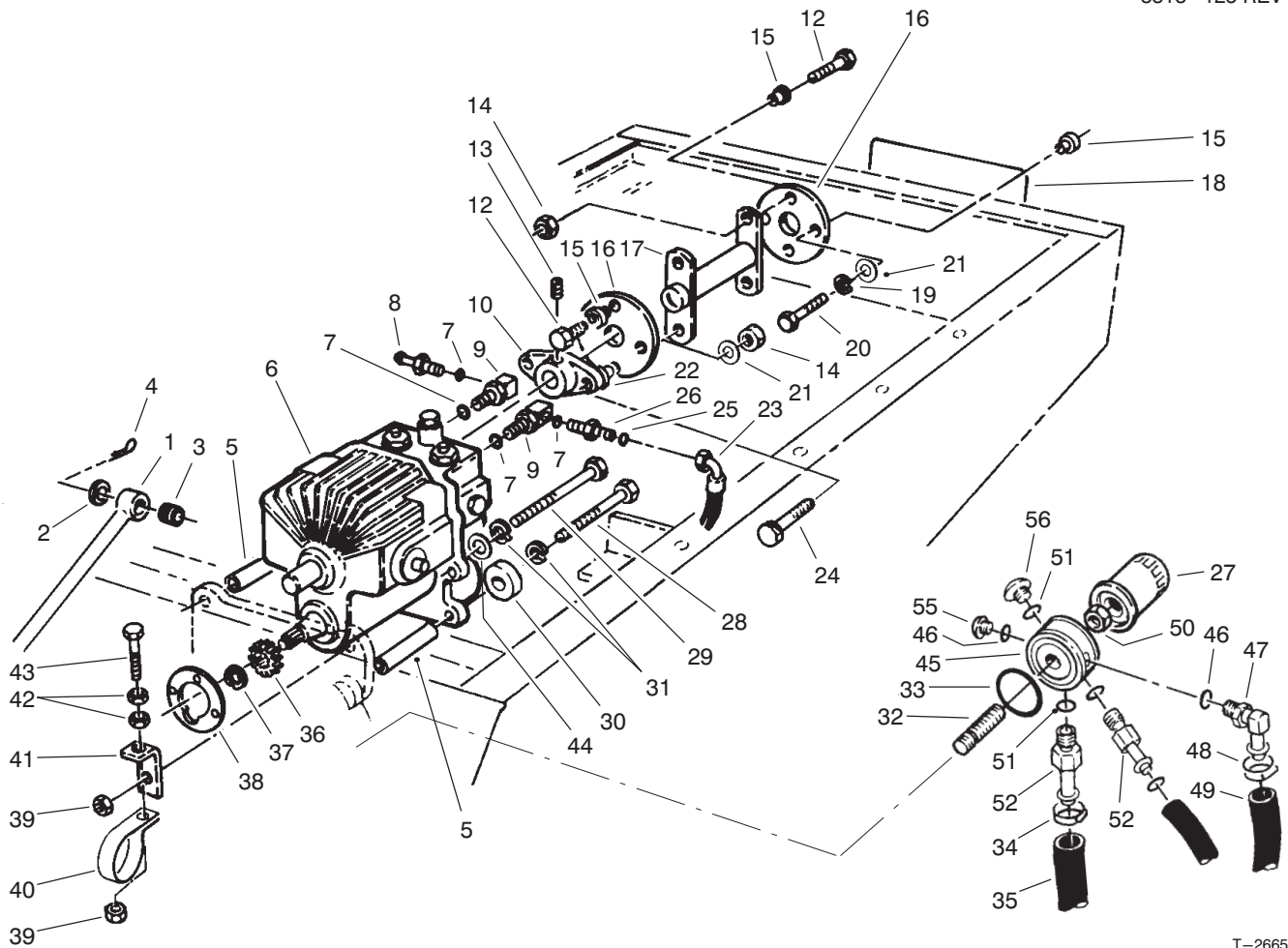
T-2664-1

## BRAKE ASSEMBLY

Ref. No.	Part No.	Description	No. Used
1	27-6861	Shaft - Axle, Flanged LH	1
*	27-6851	Shaft - Axle, Flanged RH	1
2	92-1774	Oil Seal	2
3	21-8180	Bearing - Tapered Roller	2
4	21-9450	Dust Shield	2
5	43-6810	Torque Spider	2
6	21-9390	Socket - Adjusting Screw	2
7	21-9370	Adjusting Screw	2
8	21-9380	Nut - Pivot	2
9	242-34	Stud - Axle Flange	10
10	21-8360	Clip - Retaining	2
11	28-0680	Brake Drum	2
12	94-6935	Nut - Lock, Top	8

Ref. No.	Part No.	Description	No. Used
13	28-0670	Oil Seal	2
14	21-9440	Screw - Spring Adjusting	2
15	21-9460	Retainer - Parking Brake	4
16	84-8600	Brake Shoe Set (Incl. 4 Shoes)	1
17	21-9420	Spring - Shoe Return RH	2
18	21-9430	Spring - Shoe Return LH	2
19	24-9180	Strut/Lever - Parking Brake	2
21	94-6934	Screw - Cap Hex. Hd.	8
22	24-8840	Ring - Wheel Bearing	2
23	94-6936	Washer	8
*	92-8775	Kit - Gasket, Liquid	1

\*Not Illustrated

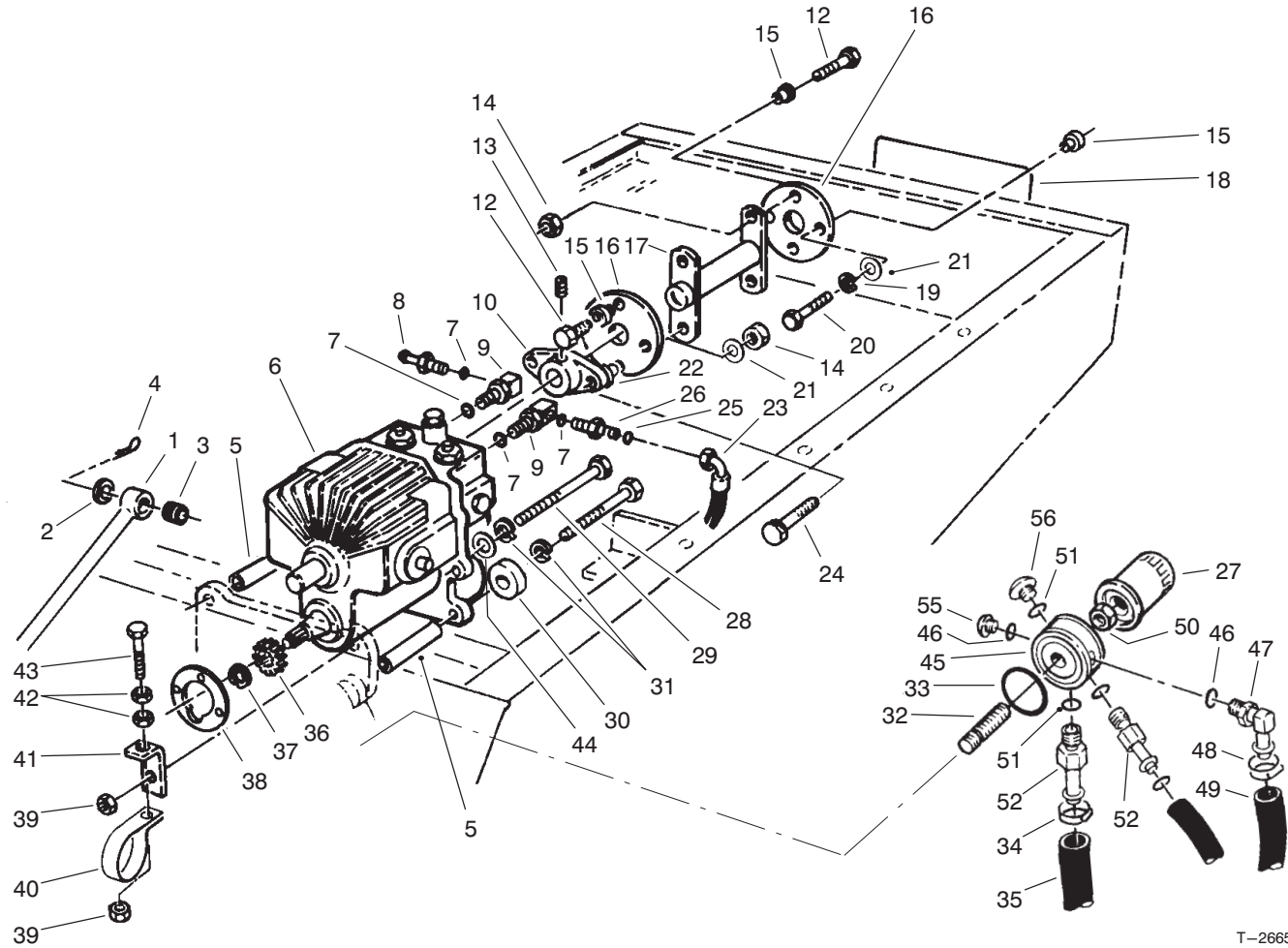


T-2665-1

## TRANSMISSION & DRIVE COUPLING ASSEMBLY

Ref. No.	Part No.	Description	No. Used
1	92-5536	Tube - Traction Control	1
2	3256-26	Washer - Flat	1
3	23-2270	Bushing - Rubber	1
4	3272-10	Pin - Cotter	1
5	27-3680	Spacer - Mounting	4
6	92-5513	Transmission	1
7	237-42	O-Ring	4
8	353-979	Hose Barb	1
9	66-3110	Hyd. Fitting	2
10	27-4370	Hub - Pump	1
12	3210-5	Screw - Cap Hex. Hd.	4
13	3241-6	Screw - Set	2
14	32152-5	Nut - Lock	6
15	27-6600	Spacer - Rubber	6
16	44-2230	Coupling - Rubber	2
17	63-6610	Drive Shaft	1
18	62-7400	Decal - Toro	1
19	42-9850	Washer - Lock	2
20	48-9460	Screw - Cap Hex. Hd.	2
21	3256-71	Washer - Flat	4
22	27-6590	Spacer	2
23	66-8490	Hose Assembly	1
24	3210-8	Screw - Cap Hex. Hd.	2
25	237-22	O-Ring	1
26	82-8530	Fitting	1

Ref. No.	Part No.	Description	No. Used
27	23-2300	Oil Filter	1
28	323-39	Screw - Cap Hex. Hd.	3
29	27-9620	Screw - Cap Hex. Hd.	1
30	5-0652	Spacer	1
31	3253-21	Washer - Lock	4
32	92-5085	Union - Filter	1
33	92-5087	Seal - Filter Adapter	1
34	2412-108	Hose Clamp	4
35	92-5082	Hose	2
36	86-7220	Gear - Spur	1
37	936125	Ring - Retaining	1
38	27-3690	Gasket - Transmission	1
39	3296-39	Nut - Lock	2
40	2412-4	R-Clamp	1
41	63-7170	Anchor - Transmission	1
42	3218-3	Nut - Jam	2
43	67-1900	Screw - Cap Hex. Hd.	1
44	3256-24	Washer - Flat	1
45	92-5076	Adapter - Filter	1
46	237-79	Seal - O-Ring	2
47	92-5086	Fitting - Hydraulic 90° (Incl. Ref. #46)	1
48	2412-119	Clamp - Hose	1
49	92-5083	Hose - Hydraulic	1
50	3220-7	Nut - Jam	1

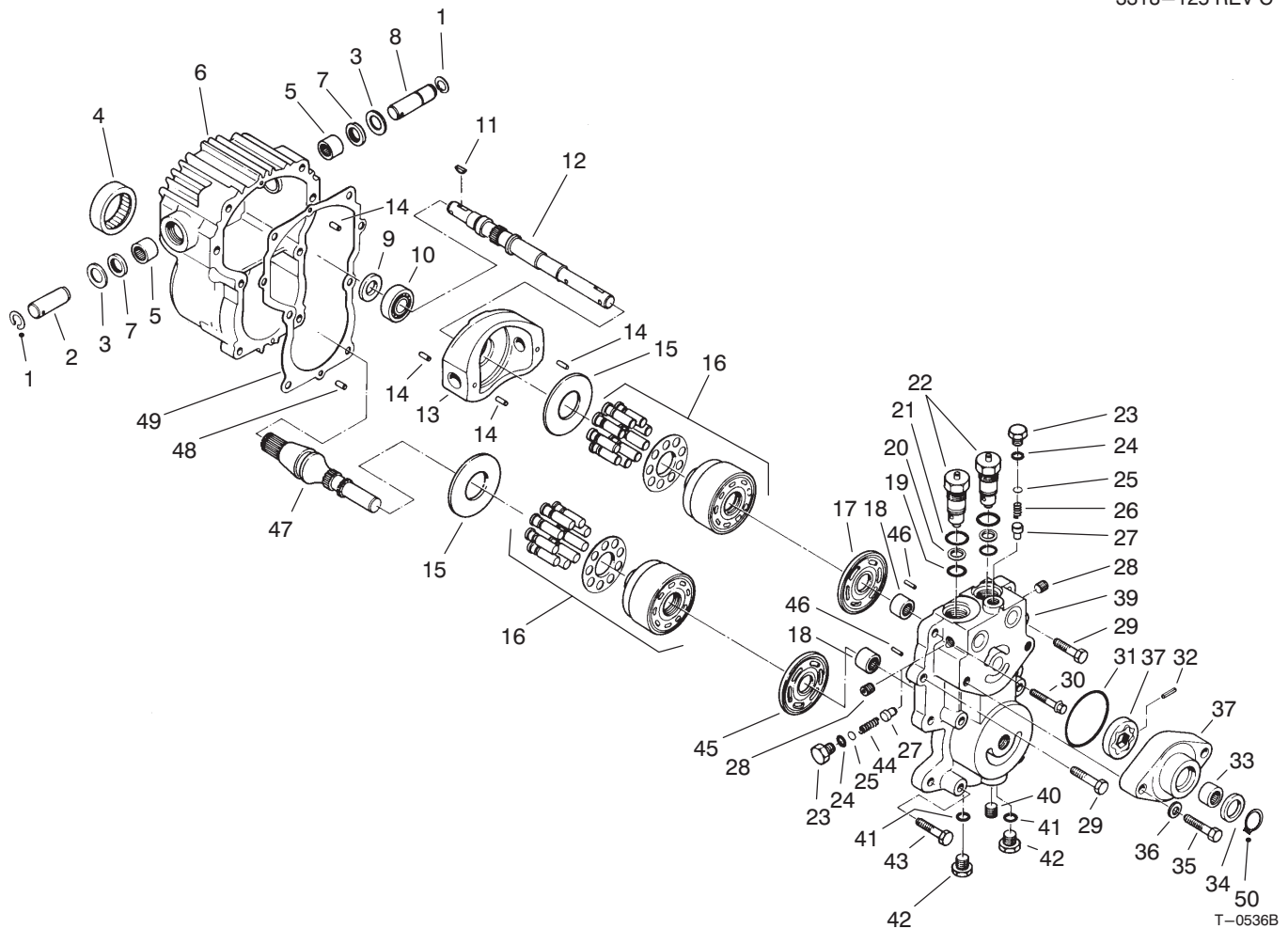


T-2665-1

## TRANSMISSION & DRIVE COUPLING ASSEMBLY (Continued)

Ref. No.	Part No.	Description	No. Used
51	237-78	Seal - O-Ring	3
52	92-5512	Fitting - Hydraulic Straight (Incl. Ref. #51)	2
55	353-988	Plug - Hydraulic (Incl. Ref. #46)	1

Ref. No.	Part No.	Description	No. Used
56	353-990	Plug - Hydraulic (Incl. Ref. #51)	1
*	95-3074	Kit - 400 Hour Filter (Incl. Ref. #27)	1

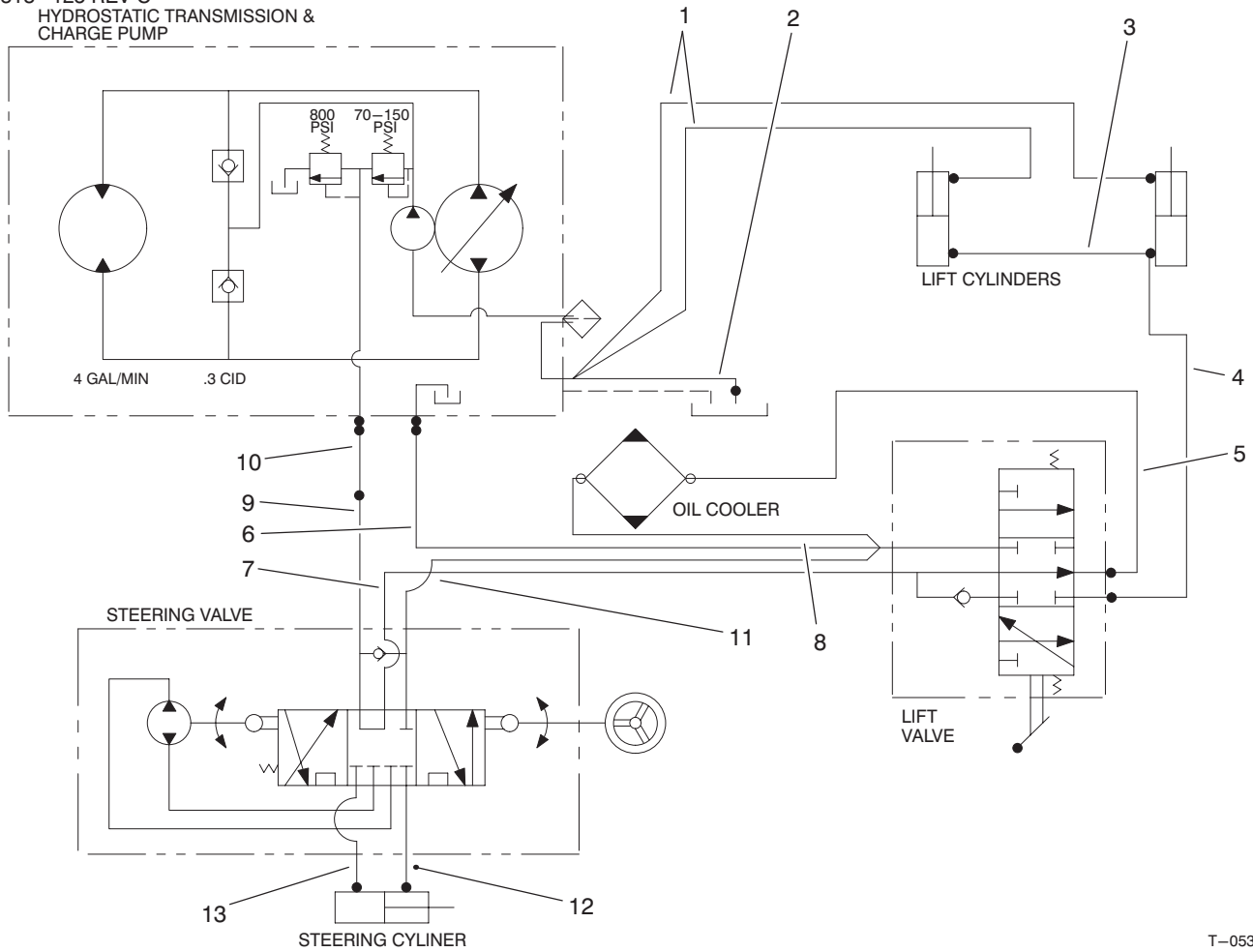


## TRANSMISSION ASSEMBLY NO. 92-5513

Ref. No.	Part No.	Description	No. Used	Ref. No.	Part No.	Description	No. Used
1	32151-46	Ring - Retaining	2	27	28-3420	Relief Valve Cone Charge	2
2	25-2500	Shaft - Trunnion	1	28	285-17	Plug - Pipe	4
3	25-2510	Washer	2	29	323-8	Screw - Cap Hex. Hd.	2
4	28-3300	Bearing - Roller	1	30	28-3530	Screw - Cap Hex. Hd.	2
5	28-3310	Bearing - Needle	2	31	28-3520	O-Ring	1
6	92-5709	Housing	1	32	38-2680	Pin	1
7	25-3210	Lip Seal	2	33	28-3480	Bearing - Needle	1
8	28-3670	Shaft - Trunnion	1	†34	28-3470	Lip Seal	1
9	93-4133	Lip Seal	1	‡34	94-2975	Shaft Seal	1
10	28-3650	Bearing - Ball	1	35	324-23	Screw - Cap Hex. Hd.	2
11	3257-5	Key - Woodruff	2	36	28-3450	Washer - Flat	2
12	28-3640	Shaft - Pump	1	37	38-2670	Kit - Charge Pump (Incl. Ref. #31-34)	1
13	49-7820	Variable Swashplate	1	39	92-5716	Center Section	1
14	32121-91	Pin	3	40	92-5717	Plug - Pipe	1
15	25-2380	Plate - Thrust	2	41		O-Ring	2
16	48-1800	Kit - Cylinder Block	2	42	28-3440	Threaded Plug (Incl. Ref. #41)	2
17	46-7320	Plate - Pump Valve	1	43	323-10	Screw - Cap Hex. Hd.	4
18	25-3300	Bearing - Needle	2	44	25-2480	Relief Valve Spring Charge	1
19	28-3590	O-Ring	2	45	28-3380	Plate - Motor Valve	1
20	28-3580	Ring - Backup	2	46	25-2430	Pin	2
21	28-3570	O-Ring	2	47	49-8200	Shaft - Motor	1
22	49-7830	Check Valve Assembly (Incl. Ref. #19-21)	2	48	28-3350	Pin	2
23	25-2460	Hex Hd. Plug	2	49	28-3340	Gasket	1
24	28-3400	O-Ring	2	‡50	94-2976	Ring - Retaining	1
25	25-2470	Shim Pack	A/R				
26	46-7310	Relief Valve Spring Imp.	1				

†Used on transmission serial no. 94-39999 and before.

‡Used on transmission serial no. 94-40000 and up.

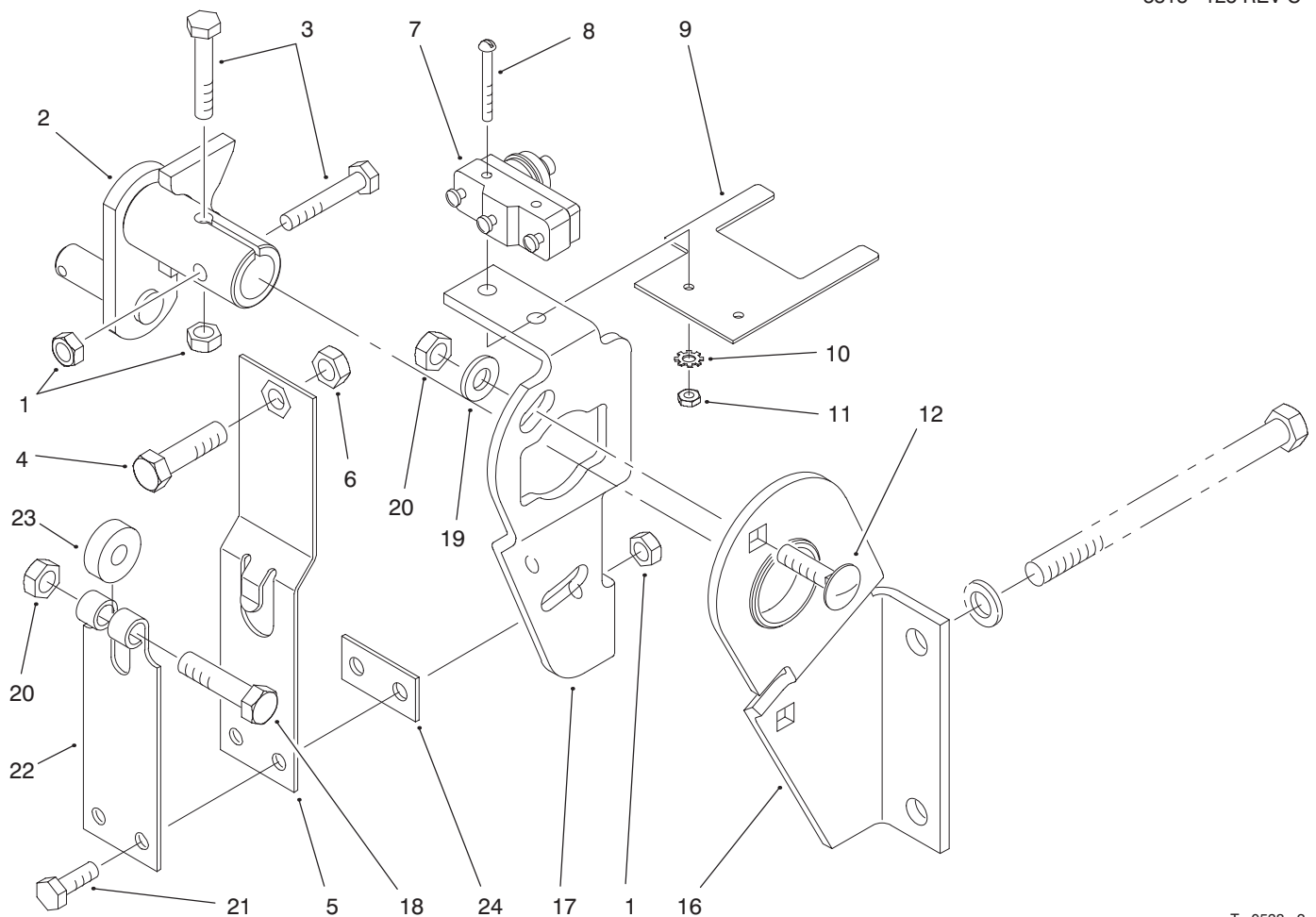


T-0537-2

## HYDRAULIC SCHEMATIC

Ref. No.	Part No.	Description	No. Used
1	92-5082	Hose - Hydraulic	2
2	92-5083	Hose - Hydraulic	1
3	66-8190	Hose - Hydraulic	1
4	66-8640	Hose - Hydraulic	1
5	66-8180	Hose - Hydraulic	1
6	66-8150	Hose - Hydraulic	1
7	66-8630	Tube - Hydraulic	1

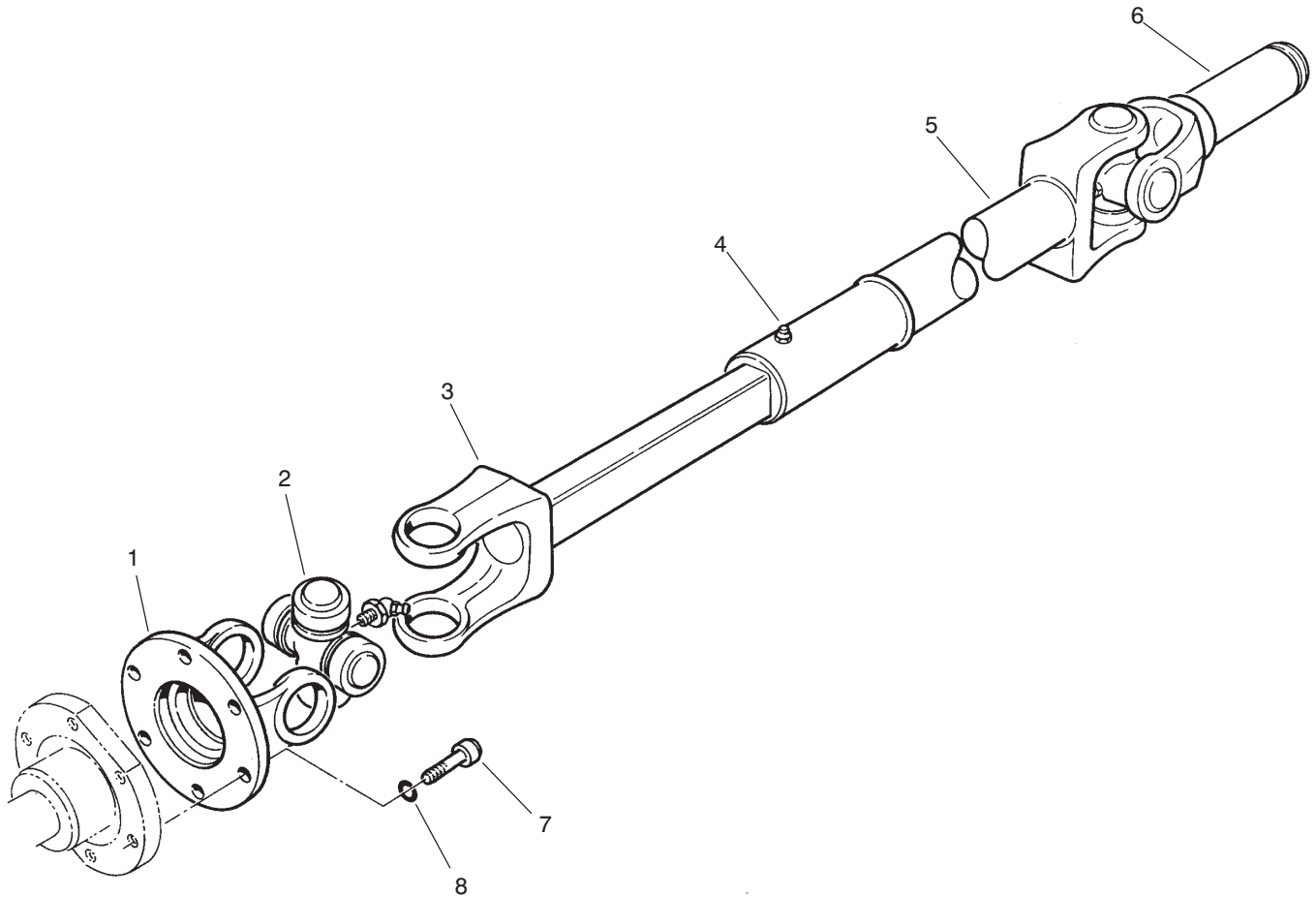
Ref. No.	Part No.	Description	No. Used
8	66-8500	Hose - Hydraulic	1
9	66-8620	Tube - Hydraulic	1
10	66-8490	Hose - Hydraulic	1
11	66-8140	Hose - Hydraulic	1
12	92-5080	Hose - Hydraulic	1
13	92-5081	Hose - Hydraulic	1



T-0538-2

## TRANSMISSION INTERLOCK ASSEMBLY

Ref. No.	Part No.	Description	No. Used	Ref. No.	Part No.	Description	No. Used
1	3296-42	Nut - Lock	4	12	3230-2	Carriage - Bolt	2
2	29-9790	Pump - Lever	1	16	52-8890	Bracket - Mounting	2
3	321-9	Screw - Cap Hex. Hd.	2	17	52-9070	Plate - Pump	1
4	3210-7	Screw - Cap Hex. Hd.	1	18	322-17	Screw - Cap Hex. Hd.	1
5	29-6170	Spring - Extended Leaf	1	19	3256-23	Washer - Flat	2
6	3219-2	Nut - Hex.	1	20	3296-29	Nut - Lock	3
7	29-6162	Micro Switch	1	21	321-4	Screw - Cap Hex. Hd.	2
8	3249-11	Screw - Round Hd.	2	22	29-6150	Spring - Leaf	1
9	46-8810	Stop - Leaf Spring	1	23	251-259	Bearing - Ball	1
10	3254-9	Washer - Lock, Int. Tooth	2	24	51-3150	Shim	1
11	3217-16	Nut - Hex.	2				



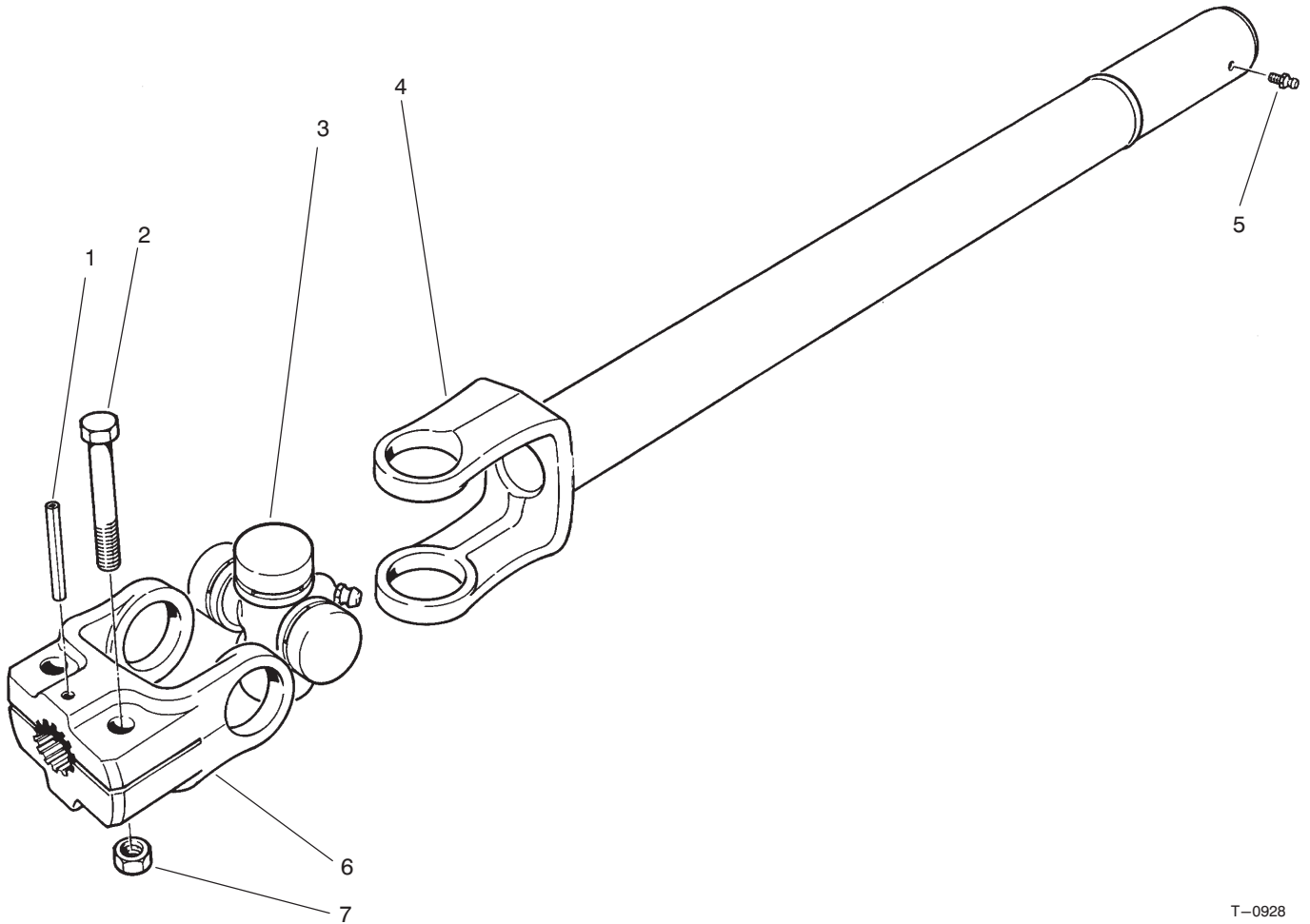
T-0906

## DRIVE SHAFT ASSEMBLY NO. 92-5084

Ref. No.	Part No.	Description	No. Used
1	72-3410	Yoke - Flange	1
2	54-9180	Kit - Universal Joint	2
3	72-3420	Shaft - Yoke, Slip	1
4	302-58	Fitting - Grease	1
5	92-5784	Tube - Yoke, Slip	1

Ref. No.	Part No.	Description	No. Used
6	72-3440	Yoke - Shaft	1
7	3274-64	Screw - Cap, Soc. Hd.	6
8	3253-3	Washer - Lock	6
*	92-5084	Driveshaft (Complete)	1

\*Not Illustrated

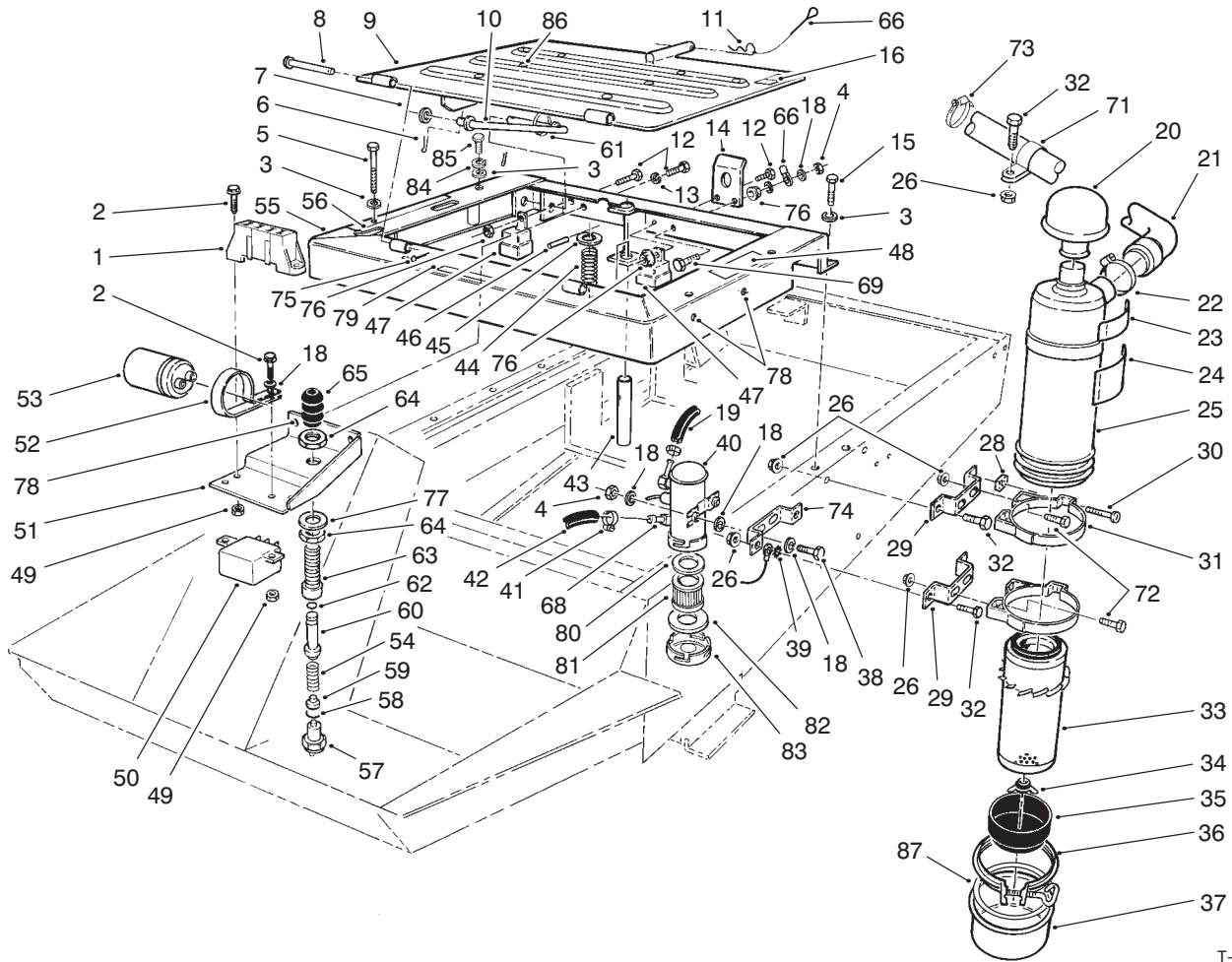


T-0928

### FULL TIME 4WD DRIVE SHAFT ASSY. NO. 92-9075 (Opt.)

Ref. No.	Part No.	Description	No. Used
1	32121-34	Pin - Roll	1
2	323-9	Screw - Cap Hex. Hd.	2
3	54-9180	Kit - Joint, Universal	1
4	92-8938	Tube - Yoke, Half-Slip	1

Ref. No.	Part No.	Description	No. Used
5	302-58	Fitting - Grease	1
6	72-3450	Yoke - Flange, Split	1
7	32153-2	Nut - Lock	2

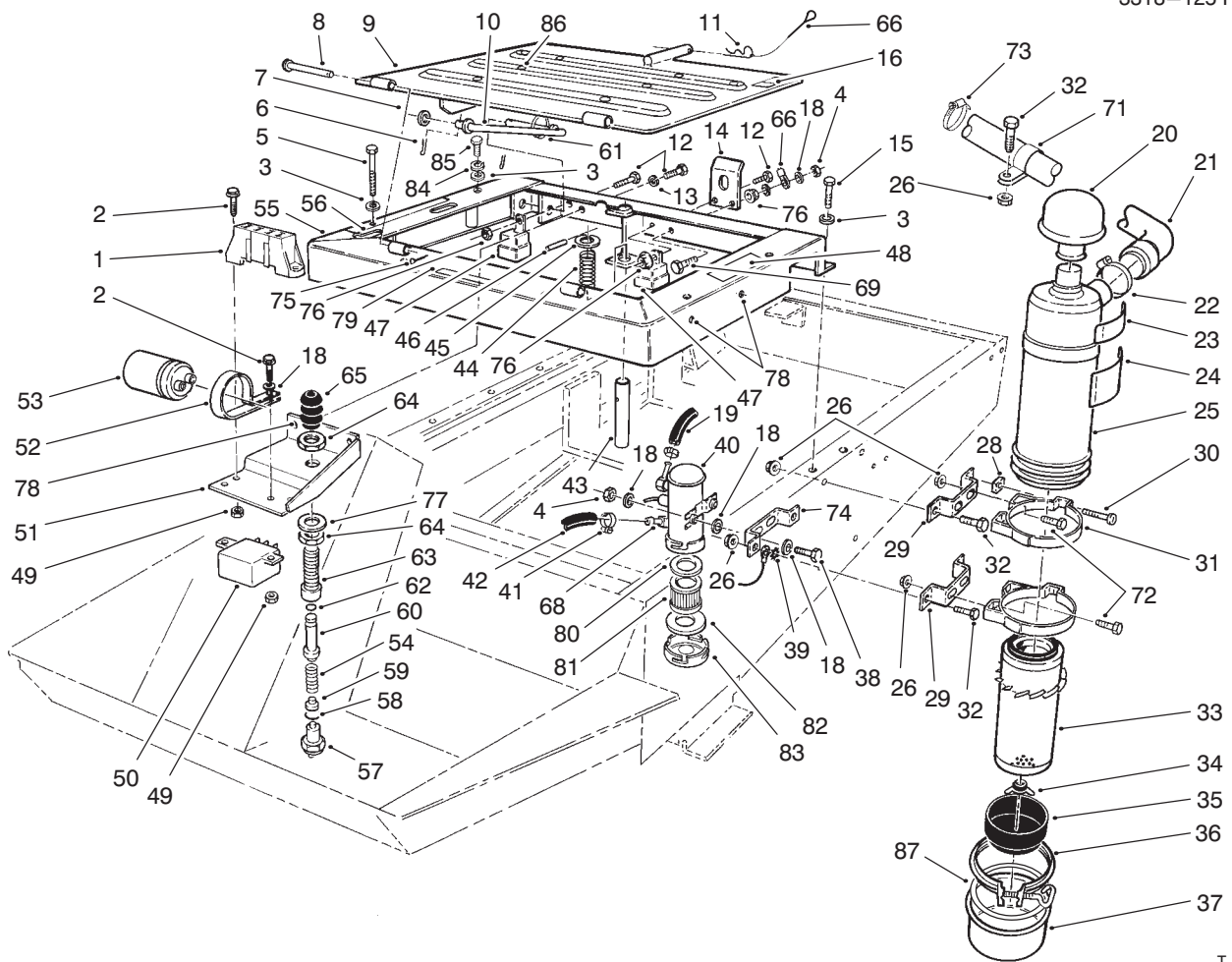


T-1818A

## SEAT FRAME & AIR CLEANER ASSEMBLY

Ref. No.	Part No.	Description	No. Used
1	67-7160	Fuse Block	1
2	32105-13	Screw - Cap Hex. Hd.	4
3	3256-23	Washer - Flat	6
4	3296-42	Nut - Lock	3
5	322-13	Screw - Cap Hex. Hd.	4
6	3272-11	Pin - Cotter	2
7	3256-24	Washer - Flat	1
8	283-49	Pin - Clevis	2
9	92-5759	Plate - Seat (Incl. Ref. #86)	1
10	66-2800	Rod - Seat Support	1
11	3290-255	Pin - Hair, Cotter	1
12	321-4	Screw - Cap Hex. Hd.	4
13	3253-3	Washer - Lock	2
14	66-2630	Latch - Seat	1
15	3234-17	Screw - Flange Hd.	2
16	52-1321	Decal - Diesel Fuel Only	1
16	93-6680	Decal - Diesel Fuel (Europe)	1
18	3256-22	Washer - Flat	9
19	63-7620	Hose	1
20	27-7180	Cap Assembly	1
21	94-3309	Hose - Air Cleaner Inlet	1
22	2412-42	Clamp - Hose	1
23	83-9150	Decal - Starting Fluid	1
23	93-7275	Decal - Starting Fluid (Europe)	1
24	27-7160	Decal - Instructions	1

Ref. No.	Part No.	Description	No. Used
25	27-7100	Air Cleaner Assembly (Incl. Ref. #24 & 32-36)	1
26	32128-20	Nut - Flange	9
28	32107-11	Nut - Square	2
29	66-2451	Bracket - Air Cleaner	2
30	3258-19	Screw - Cap Hex. Hd.	2
31	27-7170	Mounting Band Assembly (Incl. Ref. #28 & 30)	2
32	322-5	Screw - Cap Hex. Hd.	5
33	27-7110	Element Assembly	1
34	27-7120	Nut & Gasket Assembly	1
35	27-7140	Skirt - Baffle	1
36	27-7130	Clamp Assembly	1
37	27-7150	Cup Assembly	1
38	321-8	Screw - Cap Hex. Hd.	2
39	3255-8	Washer - Lock, Ext. Tooth	1
40	53-8150	Pump - Fuel	1
41	2412-108	Clamp - Hose	4
42	63-7630	Hose	1
43	66-2590	Pin - Seat Spring	1
44	37-9590	Spring - Compression	1
45	3256-27	Washer - Flat	1
46	32121-6	Pin - Roll	1
47	63-7590	Relay	2
48	67-1710	Decal - Interlock	1
48	93-7841	Decal - Caution (Europe)	1
49	3296-12	Nut - Lock	4

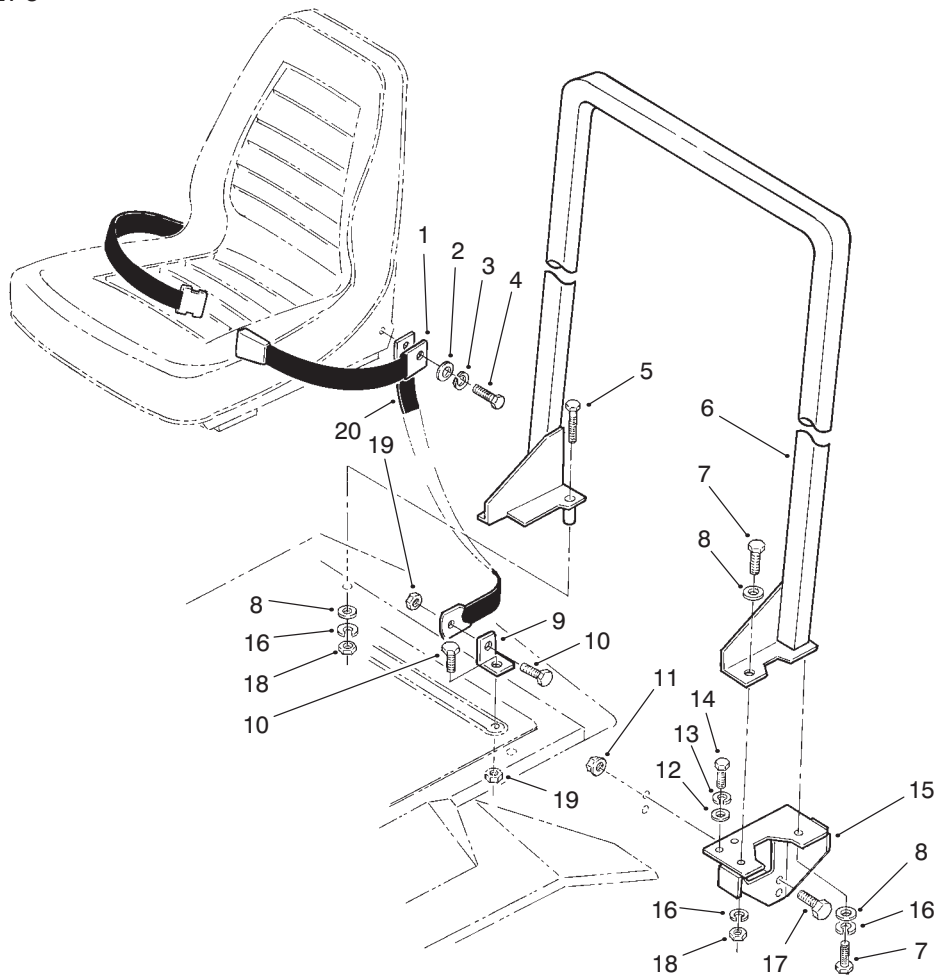


T-1818A

## SEAT FRAME & AIR CLEANER ASSEMBLY (Continued)

Ref. No.	Part No.	Description	No. Used	Ref. No.	Part No.	Description	No. Used
50	66-8800	Relay	1	72	322-3	Screw - Cap Hex. Hd.	4
51	92-7892	Bracket - Switch, Seat	1	73	2412-92	Clamp - Hose	1
52	2412-74	R-Clamp	1	74	66-2450	Bracket - Air Cleaner	1
53	37-2690	Capacitor	1	75	3272-4	Pin - Cotter	2
54	43-8600	Spring - Compression	1	76	32128-33	Nut - Hex. Flange	3
55	92-8877	Seat Frame Assembly (Incl. Ref. #48, 56, 78 & 79)	1	77	3256-69	Washer - Flat	1
56	66-8750	Decal - Control Levers	1	78	32148-6	Nut - Clinch	6
56	93-7833	Decal - Control Levers (Europe)	1	79	92-5773	Decal - Starting Instructions	1
57	72-4320	Switch	1	79	93-7801	Decal - Starting Instructions (Europe)	1
58	237-30	O-Ring	1	80	43-2570	Gasket	1
59	43-8610	Guide - Spring & Ball Seat	1	81	43-2550	Filter	1
60	43-8860	Plunger - Switch	1	82	43-2560	Gasket	1
61	3290-378	Tie - Cable	1	83	43-2580	Magnet	1
62	237-7	O-Ring	1	84	3253-4	Washer - Lock	2
63	43-8620	Guide - Switch Pin	1	85	322-14	Screw - Cap Hex. Hd.	2
64	218-461	Nut - Jam	2	86	32148-9	Nut - Clinch	2
65	43-8870	Boot - Switch	1	87	80-3330	Gasket	1
66	28-8070	Lanyard	1	*	43-9071	Switch - Seat (Incl. Ref. #54, 57-60 & 62-65)	1
68	67-1690	Fitting	2	*	95-3074	Kit - 400 Hour Filter (Incl. Ref. #33 & 81)	1
69	321-6	Screw - Cap Hex. Hd.	1				
71	2412-107	R-Clamp	1				

\*Not Illustrated



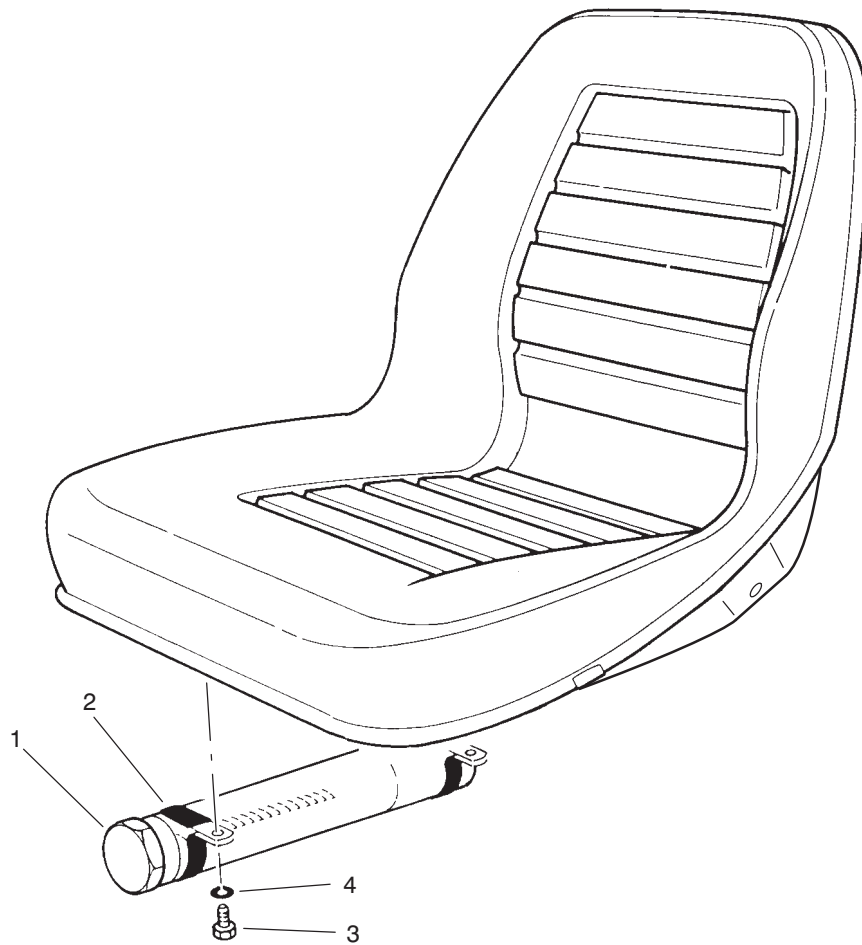
T-1690

## ROLL OVER PROTECTION SYSTEM (R.O.P.S.) ASSEMBLY

Ref. No.	Part No.	Description	No. Used
1	72-9390	Seat Belt Assembly	1
2	3256-25	Washer - Flat	2
3	3253-6	Washer - Lock	2
4	3212-4	Screw - Cap Hex. Hd.	2
5	325-14	Screw - Cap Hex. Hd.	2
6	92-5518	Frame - R.O.P.S.	1
7	325-5	Screw - Cap Hex. Hd.	4
8	3256-26	Washer - Flat	6
9	92-5515	Bracket - Tie Down	2
10	324-4	Screw - Cap Hex. Hd.	4
11	32128-23	Nut - Flange Lock	4

Ref. No.	Part No.	Description	No. Used
12	3256-23	Washer - Flat	2
13	3253-4	Washer - Lock	2
14	322-14	Screw - Cap Hex. Hd.	2
15	92-5517	Bracket - R.O.P.S. LH	1
*	92-5516	Bracket - R.O.P.S. RH	1
16	3253-7	Washer - Lock	6
17	325-9	Screw - Cap Hex. Hd.	4
18	3217-9	Nut - Lock	4
19	3296-48	Nut - Lock	4
20	92-5521	Strap - Tie Down	2

\*Not Illustrated

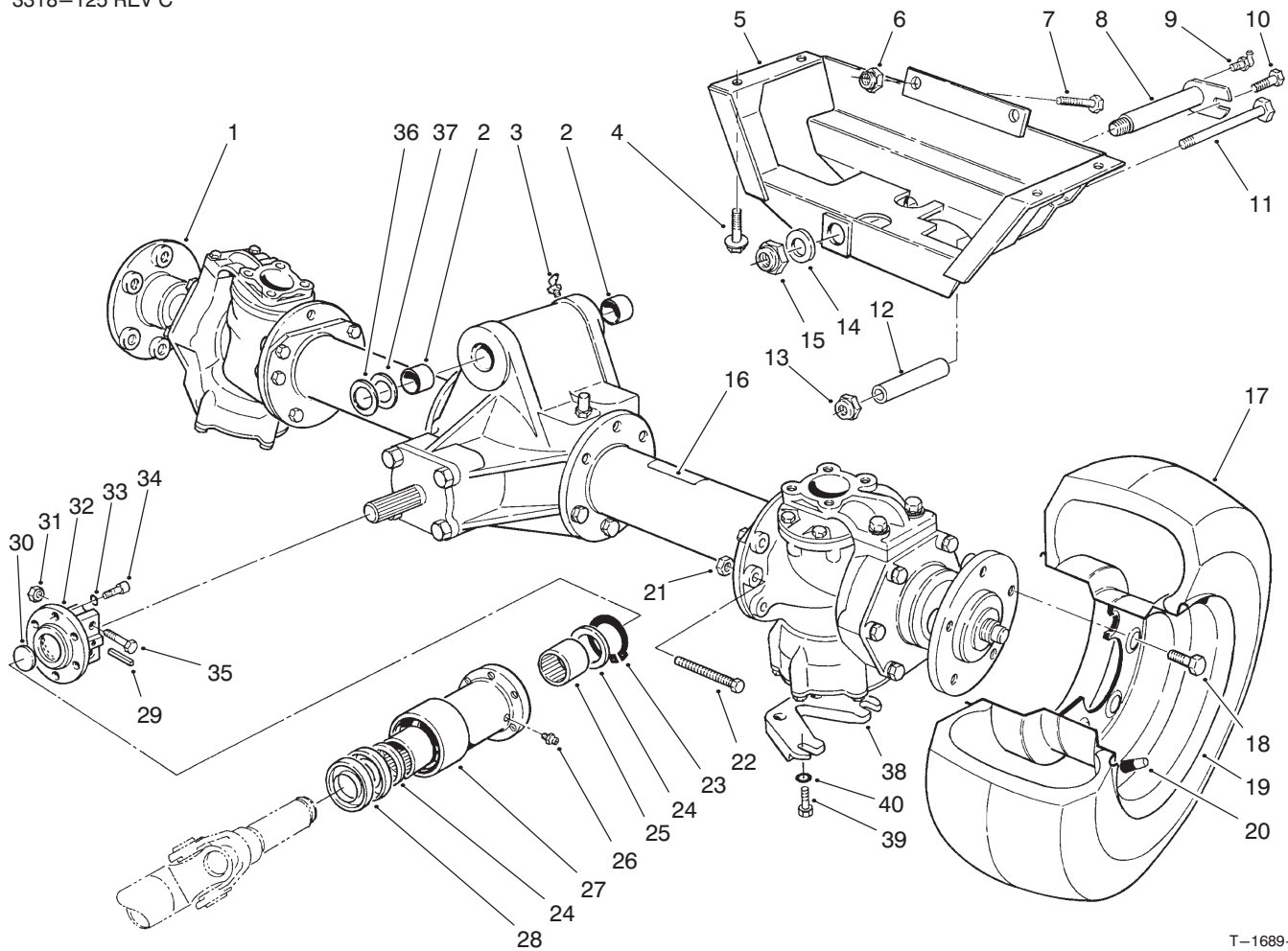


T-1692

## MANUAL STORAGE ASSEMBLY

Ref. No.	Part No.	Description	No. Used
1	74-0720	Tube - Manual	1
2	2412-133	R-Clamp	2

Ref. No.	Part No.	Description	No. Used
3	322-5	Screw - Cap Hex. Hd.	2
4	3256-23	Washer - Flat	2

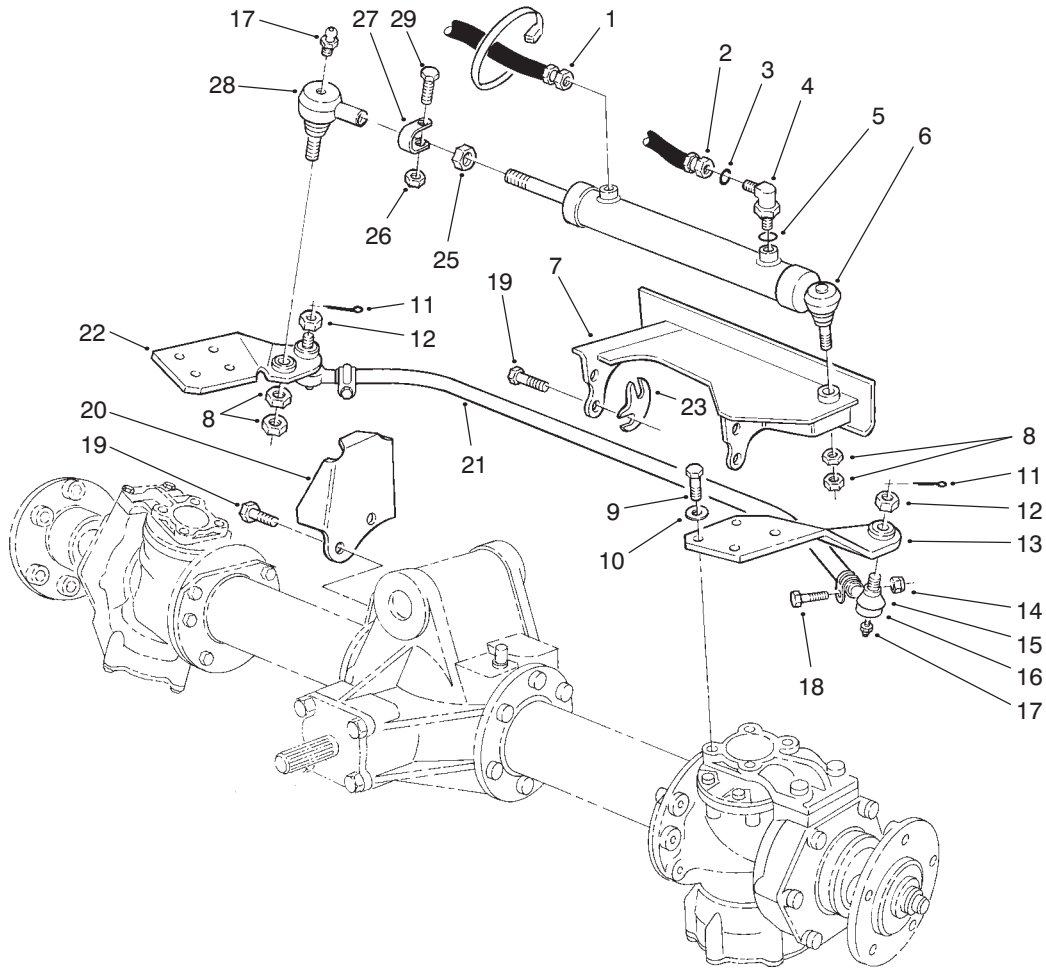


T-1689-3

## REAR AXLE INSTALLATION ASSEMBLY

Ref. No.	Part No.	Description	No. Used
1	68-6824	Rear Axle Assembly	1
2	67-1750	Bushing	2
3	302-59	Plug - Grease	1
4	3234-25	Screw - Flange	4
5	92-5053	Frame - Rear	1
6	3296-25	Nut - Lock	2
7	325-5	Screw - Cap Hex. Hd.	2
8	92-5050	Pin - Rear Axle	1
9	302-33	Fitting - Grease 90°	1
10	32144-14	Screw - Cap Hex. Hd.	1
11	325-23	Screw - Cap Hex. Hd.	1
12	92-5090	Stop - Rear Axle	1
13	3296-45	Nut - Lock	1
14	71-4540	Washer	1
15	3296-51	Nut - Lock	1
16	70-2560	Decal - Lube	1
16	93-6697	Decal - Lube (Europe)	1
17	231-122	Tire	2
18	71-4450	Bolt - Wheel	10
19	217-106	Wheel	2
20	232-27	Stem - Valve	2

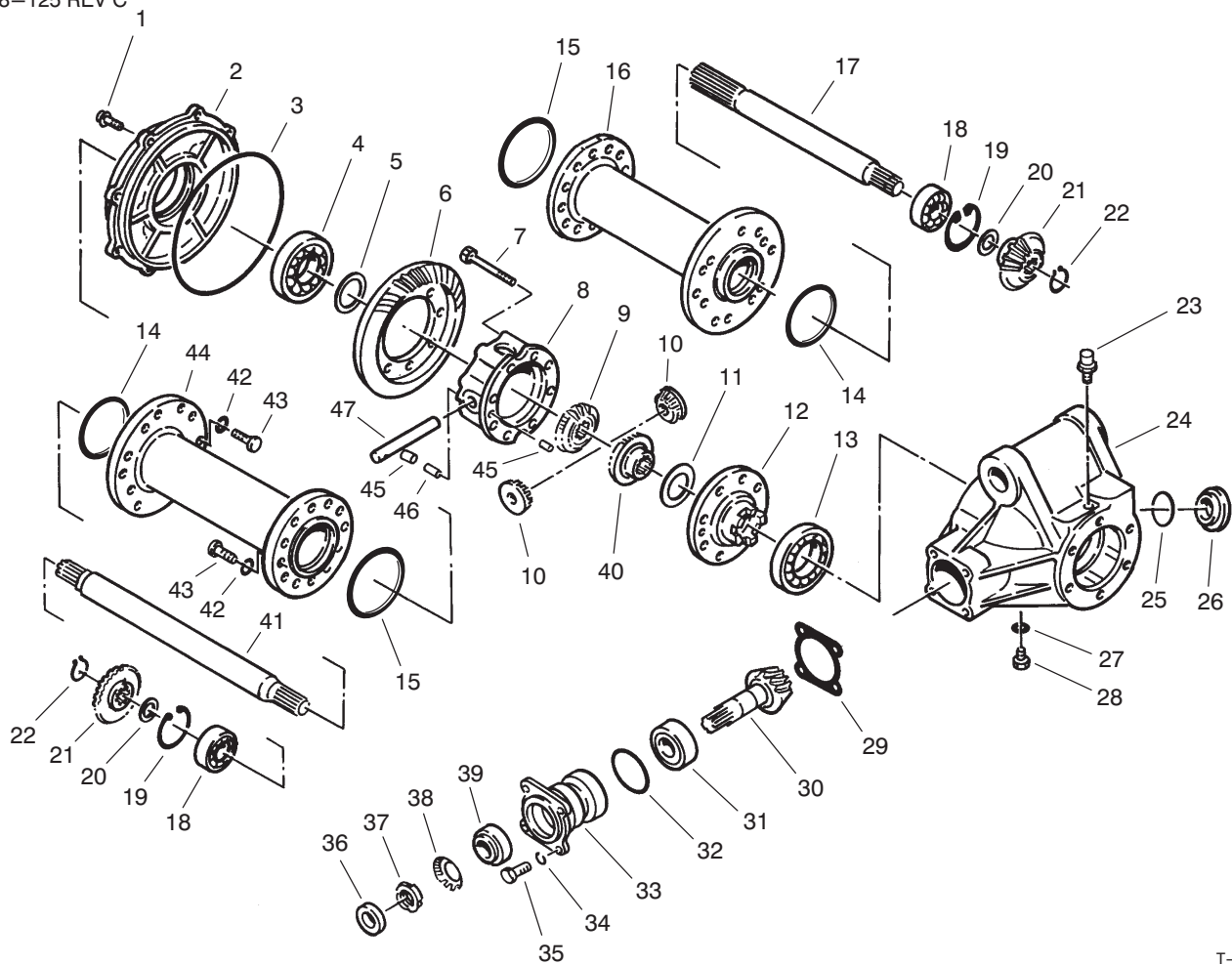
Ref. No.	Part No.	Description	No. Used
21	48-7960	Nut	2
22	71-4690	Screw - Cap Hex. Hd.	2
23	32151-87	Ring - Retaining	1
24	71-4590	Washer - Thrust	2
25	71-4580	Clutch - Roller	2
26	302-5	Fitting - Grease	1
27	71-4570	Housing - Clutch	1
28	253-155	Seal	2
29	32121-34	Pin - Roll	1
30	284-3	Plug - Welch	1
31	3296-29	Nut - Lock	2
32	76-4690	Coupling - Axle	1
33	3253-3	Washer - Lock	6
34	3274-64	Screw - Cap Hex. Hd.	6
35	322-8	Screw - Cap Hex. Hd.	2
36	56-2460	Washer - Flat	A/R
37	5-1226	Washer	A/R
38	93-1395	Plate - Skid	2
39	48-7730	Screw - Cap Hex. Hd.	4
40	3256-23	Washer - Flat	4



T-1693A

## STEERING LINKAGE ASSEMBLY

Ref. No.	Part No.	Description	No. Used	Ref. No.	Part No.	Description	No. Used
1	92-5080	Hose – Hydraulic	1	17	302-55	Fitting – Grease	3
2	92-5081	Hose – Hydraulic	1	18	323-9	Screw – Cap, Hex. Hd.	2
3	237-21	Seal – O-Ring	2	19	3215-3	Screw	6
4	340-132	Fitting – Hydraulic 90° (Incl. Ref. #3 & 5)	2	20	92-5511	Stop – Oscillation	1
5	237-78	Seal – O-Ring	2	21	71-4750	Tube & Clamp Assembly	1
6	92-5529	Hydraulic Cylinder Assembly	1	*	71-4530	Tie Rod Assembly (Incl. Ref.#12, 14, 15, 16, 17, 18 & 21)	1
7	92-5061	Support – Cylinder	1	22	92-5070	Arm – Steering RH	1
8	3220-11	Nut – Jam	4	23	83-5180	Shim – Axle	A/R
9	48-7780	Screw – Cap Hex. Hd.	8	25	3220-5	Nut – Jam	1
10	48-9220	Washer – Flat	8	26	3296-4	Nut – Lock	1
11	3272-11	Pin – Cotter	2	27		Clamp – Rod End	1
12	32136-13	Nut – Slotted	2	28	92-5072	Rod End Assembly (Incl. Ref.#17, 26 & 29)	1
13	92-5067	Arm – Steering LH	1	29	3210-7	Screw – Cap Hex. Hd.	1
14	3296-39	Nut – Lock	2				
15	71-4760	Seal – Rod	2				
16	2411-45	Rod End (Incl. Ref. #12, 15 & 17)	2				

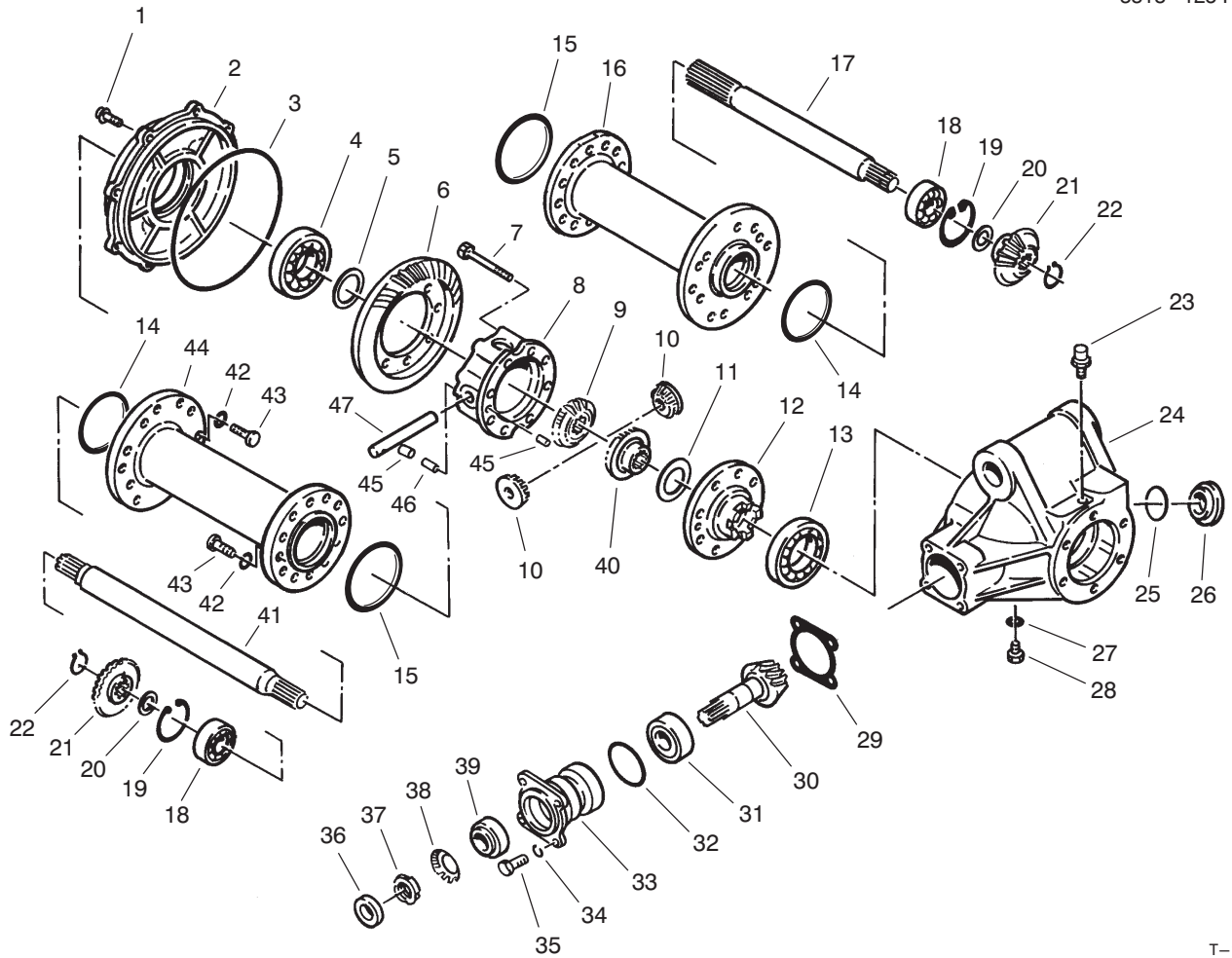


T-1305A

## REAR AXLE ASSEMBLY NO. 68-6824

Ref. No.	Part No.	Description	No. Used
1	72-5800	Bolt	8
2	72-4880	Cover	1
3	72-4890	O-Ring	1
4	251-344	Bearing - Ball	1
5	72-4960	Shim .1 mm	1
*	72-4970	Shim .15 mm	1
*	72-4980	Shim .5 mm	1
*	72-4990	Shim .8 mm	1
*	72-5000	Shim 1.0 mm	1
*	72-5010	Shim 1.2 mm	1
6		Gear - Bevel	1
7	72-5810	Bolt	8
8	72-4900	Case - Differential	1
9	72-4930	Gear - Side	1
10	72-4950	Gear - Pinion	2
11	72-5040	Washer - Gear	1
12	72-4910	Flange - Case	1
13	251-345	Bearing - Ball	1
14	93-3664	Seal - O-Ring	2
15	93-3665	Seal - O-Ring	2
16	72-5050	Tube - Axle RH	1
17	72-5060	Axle - RH	1
18	251-350	Bearing - Ball	2
19	72-5360	Ring - Retaining	2
20	72-5100	Spacer	2

Ref. No.	Part No.	Description	No. Used
21	72-5090	Gear - Bevel	2
22	72-5370	Ring - Retaining	2
23	72-5130	Vent	1
24	72-4870	Case - Differential	1
25	72-5140	O-Ring	1
26	72-5150	Plug	1
27	72-5840	Gasket	1
28	72-5820	Plug	1
29	72-5160	Shim .1mm	1
*	72-5170	Shim .15 mm	1
*	72-5180	Shim .5 mm	1
*	72-5190	Shim .8 mm	1
*	72-5200	Shim 1.0 mm	1
*	72-5210	Shim 1.2 mm	1
30		Gear - Pinion	1
31	254-108	Bearing - Tapered Roller	1
32	72-5460	O-Ring	1
33	83-5350	Case - Bearing	1
34	42-9850	Washer - Lock M8	8
35	48-9460	Bolt - Hex. Hd.	4
36	83-5360	Seal - Oil	1
37	83-5340	Nut - Bearing	1
38	83-5330	Washer - Bearing	1
39	254-109	Bearing - Tapered Roller	1
40	72-4940	Gear - Side	1

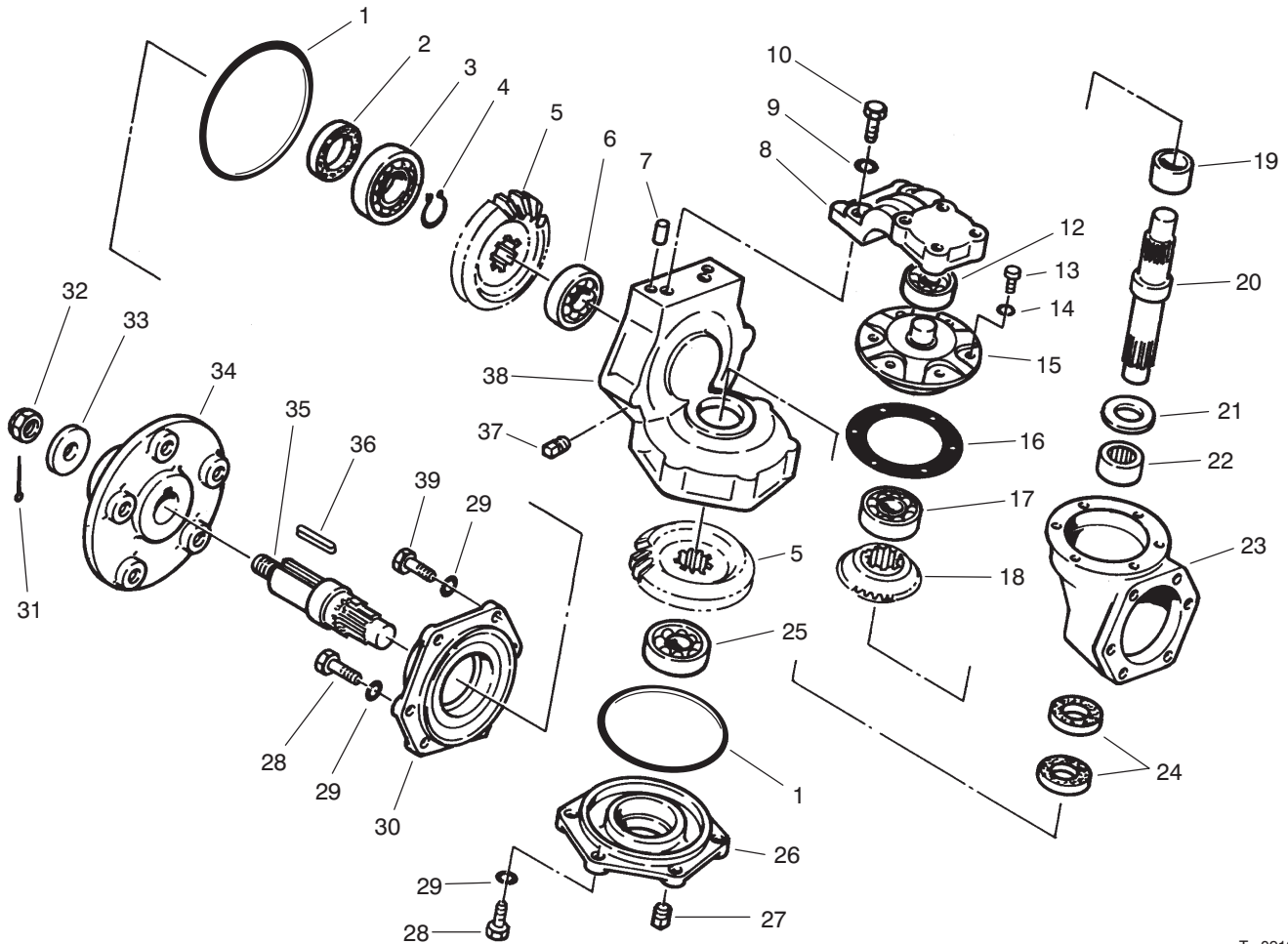


T-1305A

### REAR AXLE ASSEMBLY NO. 68-6824 (Continued)

Ref. No.	Part No.	Description	No. Used
41	72-5120	Axle - LH	1
42	42-9600	Washer - Lock M10	24
43	48-9470	Bolt - M10 x 30	24
44	72-5110	Tube - Axle LH	1
45	72-5030	Pin - Dowel	2

Ref. No.	Part No.	Description	No. Used
46	72-5440	Pin - Spring	1
47	72-5020	Shaft - Pinion	1
*	83-5370	Ring & Pinion Assembly (Incl. Ref.#6 & 30)	1

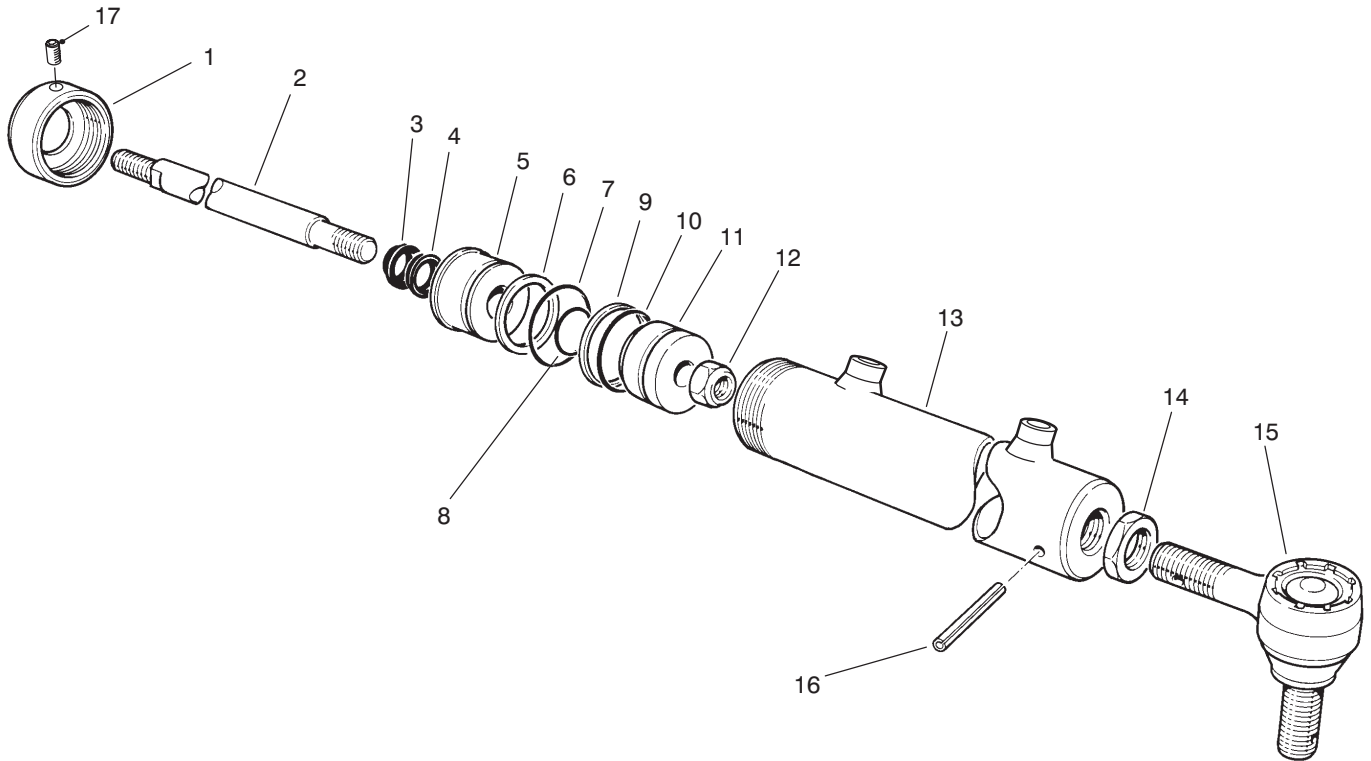


T-0912A

### REAR AXLE ASSEMBLY NO. 68-6824 (Continued)

Ref. No.	Part No.	Description	No. Used
1	93-3670	Seal - O-Ring	4
2	72-5740	Seal - Oil	2
3	251-348	Bearing - Ball	2
4	72-5720	Ring - Retaining	2
5	72-5580	Gear - Bevel	4
6	251-8	Bearing - Ball	2
7	93-3671	Pin - Dowel	4
8	93-3672	Arm - Knuckle	2
9	42-9600	Washer - Lock	28
10	48-9470	Screw - Cap, M10 x 30	4
12	251-347	Bearing - Ball	2
13	72-5790	Screw - Cap, M6 x 18	12
14	43-5930	Washer - Lock	12
15	72-5590	Retainer - Bearing	2
16	72-5630	Gasket	2
17	251-349	Bearing - Ball	2
18	72-5090	Gear - Bevel	2
19	72-5680	Spacer	2
20	72-5560	Pin - King, Knuckle	2

Ref. No.	Part No.	Description	No. Used
21	93-3668	Washer - Thrust	2
22	93-3669	Bearing - Needle	2
23	93-3666	Gear Box - Axle	2
24	72-5730	Seal - Oil	4
25	251-263	Bearing - Ball	2
26	72-5550	Cover	2
27	281-10	Plug - Socket, Hex.	2
28	48-9460	Screw - Cap, M8 x 25	20
29	42-9850	Washer - Lock, M8	28
30	72-5540	Case - Knuckle	2
31	3272-17	Pin - Cotter	2
32	72-5770	Nut - Castle	2
33	72-5660	Washer - Shaft, Wheel	2
34	72-5650	Hub - Wheel	2
35	72-5570	Shaft - Axle, Outer	2
36	72-5780	Key	2
37	95-3347	Plug - Pipe, Square Hd.	2
38	93-3667	Case - Knuckle	2
39	48-7710	Screw - Cap, M8 x 20	4



T-1694

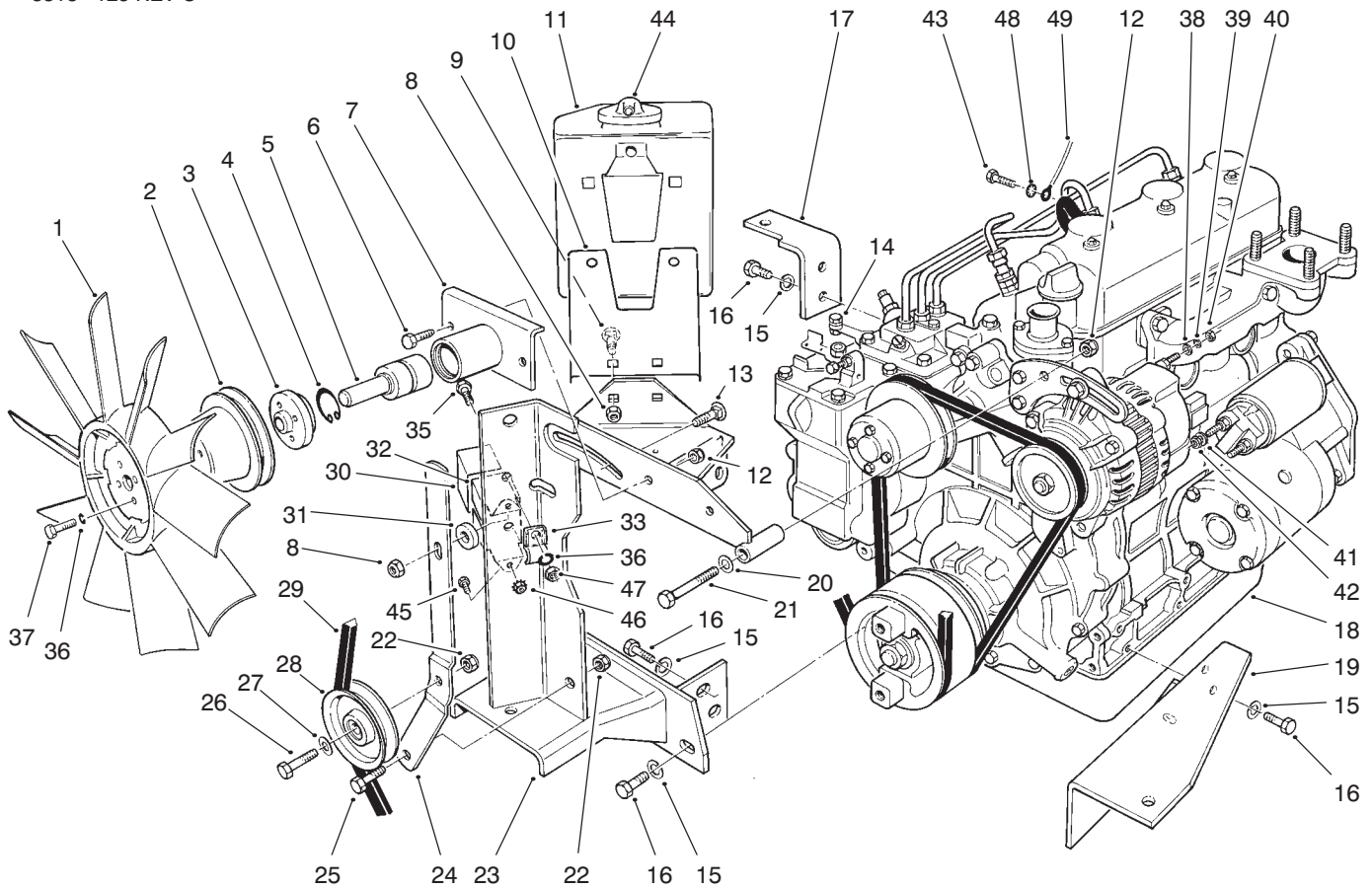
## HYDRAULIC CYLINDER NO. 92-5529

Ref. No.	Part No.	Description	No. Used
1	92-5705	Cap - Threaded	1
2	92-5704	Rod	1
†3		Wiper - Rod	1
†4		U-Cup	1
5	92-5706	Head - Cap	1
†6		Backup Washer	1
†7		O-Ring	1
†8		O-Ring	1
†9		Servon	1
†10		O-Ring	1

Ref. No.	Part No.	Description	No. Used
11	92-5703	Piston	1
12	88-3590	Nut - Lock	1
†13		Barrel Assembly	1
14	82-5740	Nut - Jam	1
15	82-5730	Rod End	1
16	32121-44	Pin - Roll	1
17	92-5708	Screw - Set	1
*	92-5707	Seal Repair Kit (Incl. Ref. #3, 4, & 6-10)	1

\*Not Illustrated

†Not Serviceable Separately

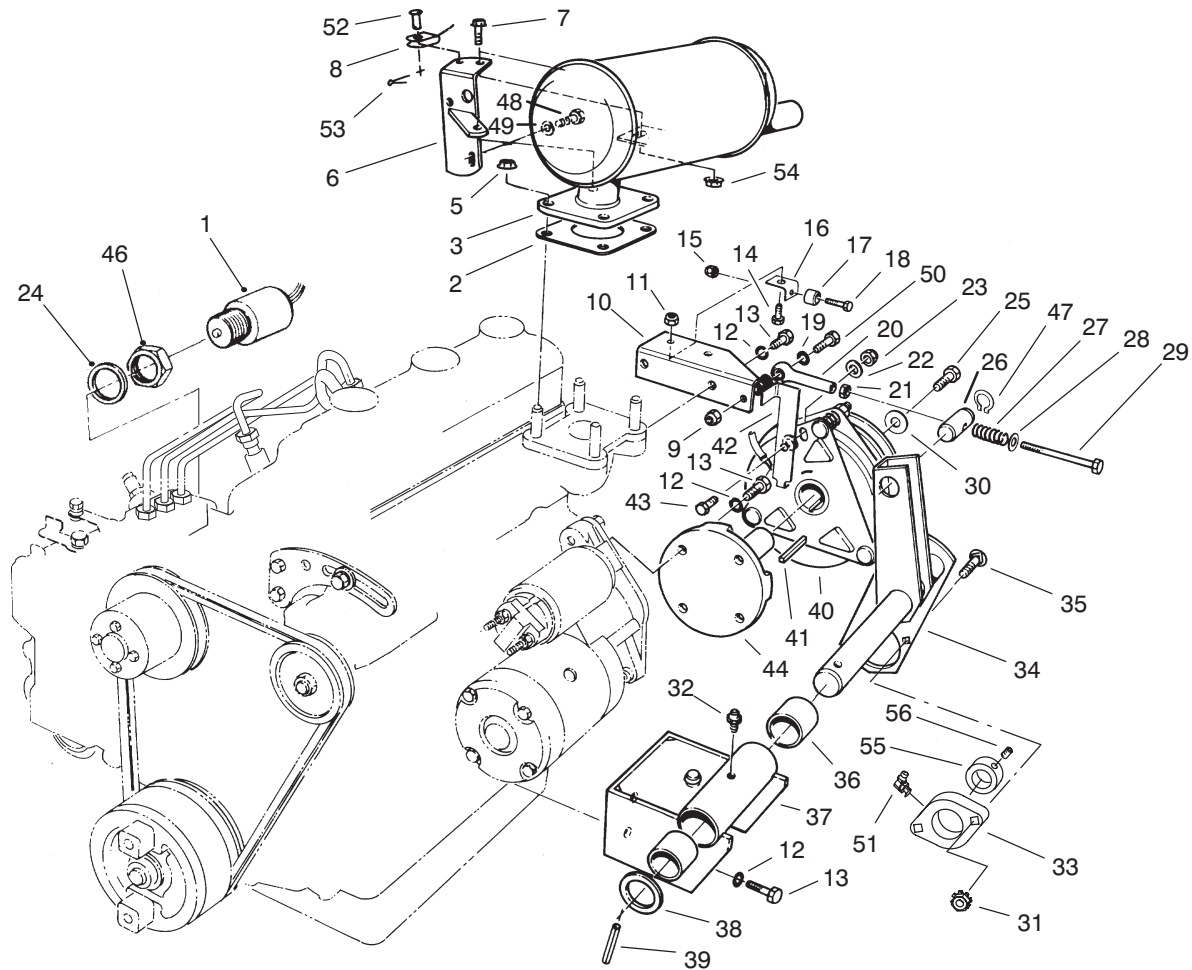


T-0542B

## ENGINE ASSEMBLY

Ref. No.	Part No.	Description	No. Used
1	84-1880	Fan - Cooling	1
2	84-1890	Pulley - Fan	1
3	84-1930	Hub - Fan	1
4	32120-10	Ring - Retaining	1
5	36-7290	Shaft & Bearing	1
6	322-4	Screw	2
7	84-1940	Hub	1
8	32128-20	Nut - Flange	3
9	3230-23	Bolt - Carriage	2
10	66-2440	Plate - Reservoir	1
11	63-7380	Expansion Tank Assembly (Incl Ref. #44)	1
12	3296-29	Nut - Lock	3
13	3230-2	Bolt - Carriage	1
14	63-6760	Swivel - Throttle Cable	1
15	48-9590	Washer - Lock	8
16	63-7790	Screw	8
17	71-2910	Angle - Engine Mount	1
18	94-3558	Engine (Used on Serial No. 60230 & 60233-60252)	1
18	94-9432	Engine (Used on Serial No. 60231 & 60232 & 60253 & Up)	1
19	66-2320	Mount - Engine	1
20	3256-23	Washer - Flat	1
21	322-11	Screw - Cap Hex. Hd.	1
22	3296-39	Nut - Lock	2

Ref. No.	Part No.	Description	No. Used
23	84-1870	Bracket	1
24	63-6720	Lever - Idler	1
25	323-6	Screw - Cap Hex. Hd.	1
26	323-8	Screw - Cap Hex. Hd.	1
27	3256-24	Washer - Flat	1
28	63-8140	Pulley	1
29	92-8876	Belt - Fan	1
30	70-8560	Retainer - Glow Plug	1
31	5-0652	Spacer	1
32	66-8700	Indicator - Glow (Incl. Ref. #30)	1
33	3-6657	Clip - Skid	1
35	321-4	Screw - Cap Hex. Hd.	1
36	3253-3	Washer - Lock	5
37	321-3	Screw - Cap Hex. Hd.	4
38	5-3637	Washer - Flat	1
39	43-5920	Washer - Lock	1
40	43-5970	Nut - Hex.	1
41	42-9850	Washer - Lock	2
42	57-6390	Nut - Hex.	2
43	48-7700	Screw - Hex.	1
44	71-1520	Cap - Reservoir	1
45	32105-8	Screw	2
46	32149-7	Nut - Keps	2
47	3217-5	Nut - Hex.	1
48	3254-2	Washer - Lock, Int. Tooth	1
49	63-7340	Wire - Ground	1

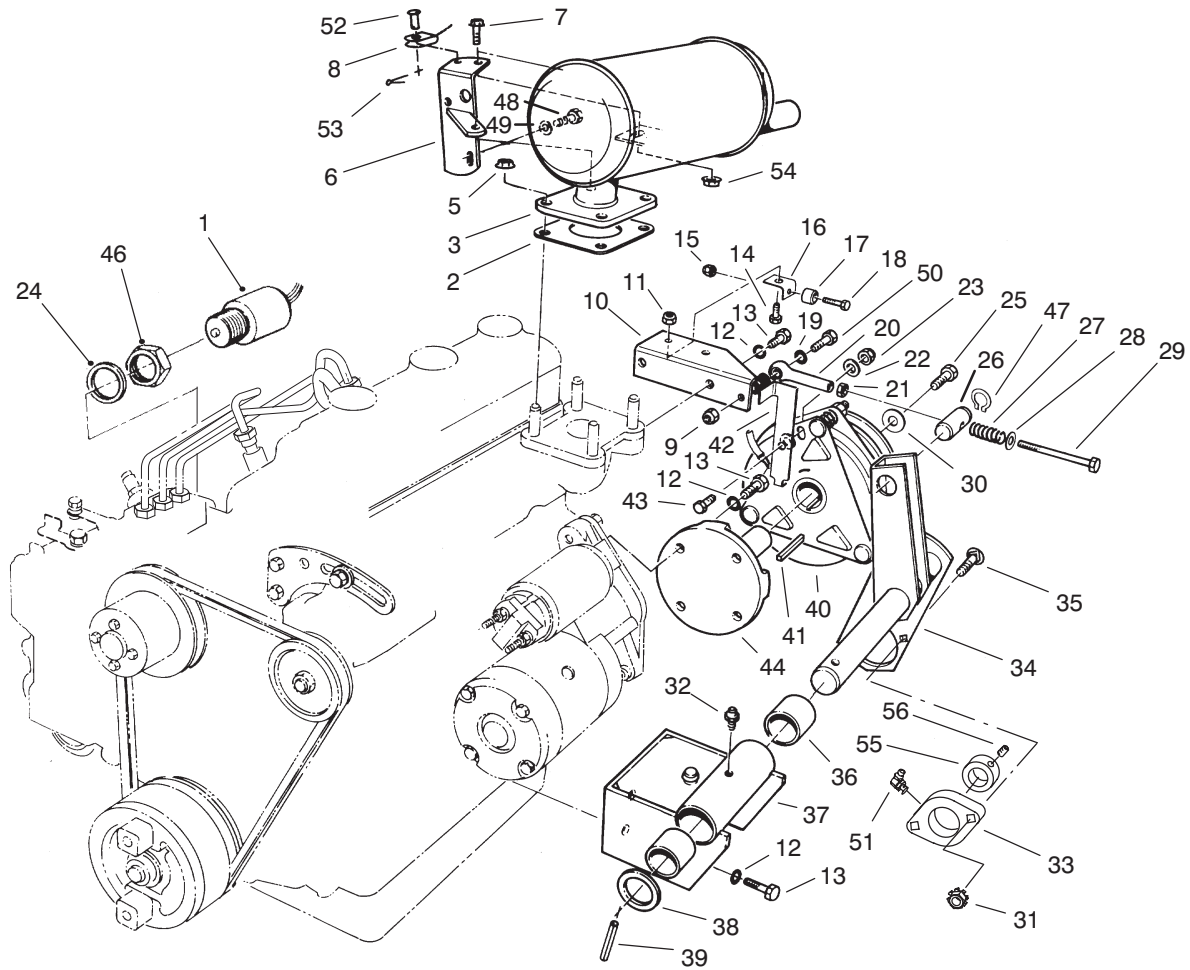


T-0543C

## POWER TAKE OFF ASSEMBLY

Ref. No.	Part No.	Description	No. Used	Ref. No.	Part No.	Description	No. Used
1	63-7440	Solenoid - Stop	1	25	3212-5	Screw	1
2	53-8130	Gasket - Exhaust	1	26	63-6290	Pin - Tension	1
3	84-1910	Muffler	1	27	3-6624	Spring	1
*	75-6880	Spark Arrester Screen (Optional)	1	28	4-2390	Washer	1
5	68-9400	Nut - Hex.	4	29	66-3100	Screw	1
6	66-2360	Support - Muffler	2	30	67-1631	Spacer	1
7	3234-29	Screw - Cap Hex. Flange Hd.	1	31	32149-1	Nut - Keps	2
8	66-2870	Cable - Hood Stop	1	32	302-5	Fitting - Grease	1
9	3296-29	Nut - Lock	1	33	92-8799	Bearing	1
10	93-9991	Bracket	1	34	63-6250	Shaft - PTO Tension	1
11	3296-42	Nut - Lock	2	35	3230-4	Bolt - Carriage	2
12	48-9590	Washer - Lock	10	36	256-299	Bushing	2
13	63-7790	Screw	10	37	67-1800	Pivot Plate Assembly (Incl. Ref. #32 & 36)	1
14	321-3	Screw - Cap Hex. Hd.	2	38	3-4324	Washer	1
15	3296-9	Nut - Lock	2	39	32121-32	Pin - Roll	1
16	63-8230	Angle - Clutch Anchor	2	40	63-6050	Clutch - Electric	1
17	66-2910	Bumper - Rubber	2	41	63-8150	Key	1
18	3250-39	Screw - Pan Head	2	42	63-6690	Lever - Clutch Anchor	1
19	3256-23	Washer - Flat	4	43	323-34	Screw - Cap Hex. Hd.	1
20	66-2900	Tie Rod End	1	44	63-6030	Hub - Clutch	1
21	3220-2	Nut - Jam	1	46	43-2750	Nut - Jam	1
22	3256-24	Washer - Flat	2	47	32151-83	Snap Ring	2
23	3296-59	Nut - Lock	1	48	66-3160	Screw	1
24	43-2740	Gasket	1	49	48-8030	Washer - Flat	1

\*Not Illustrated



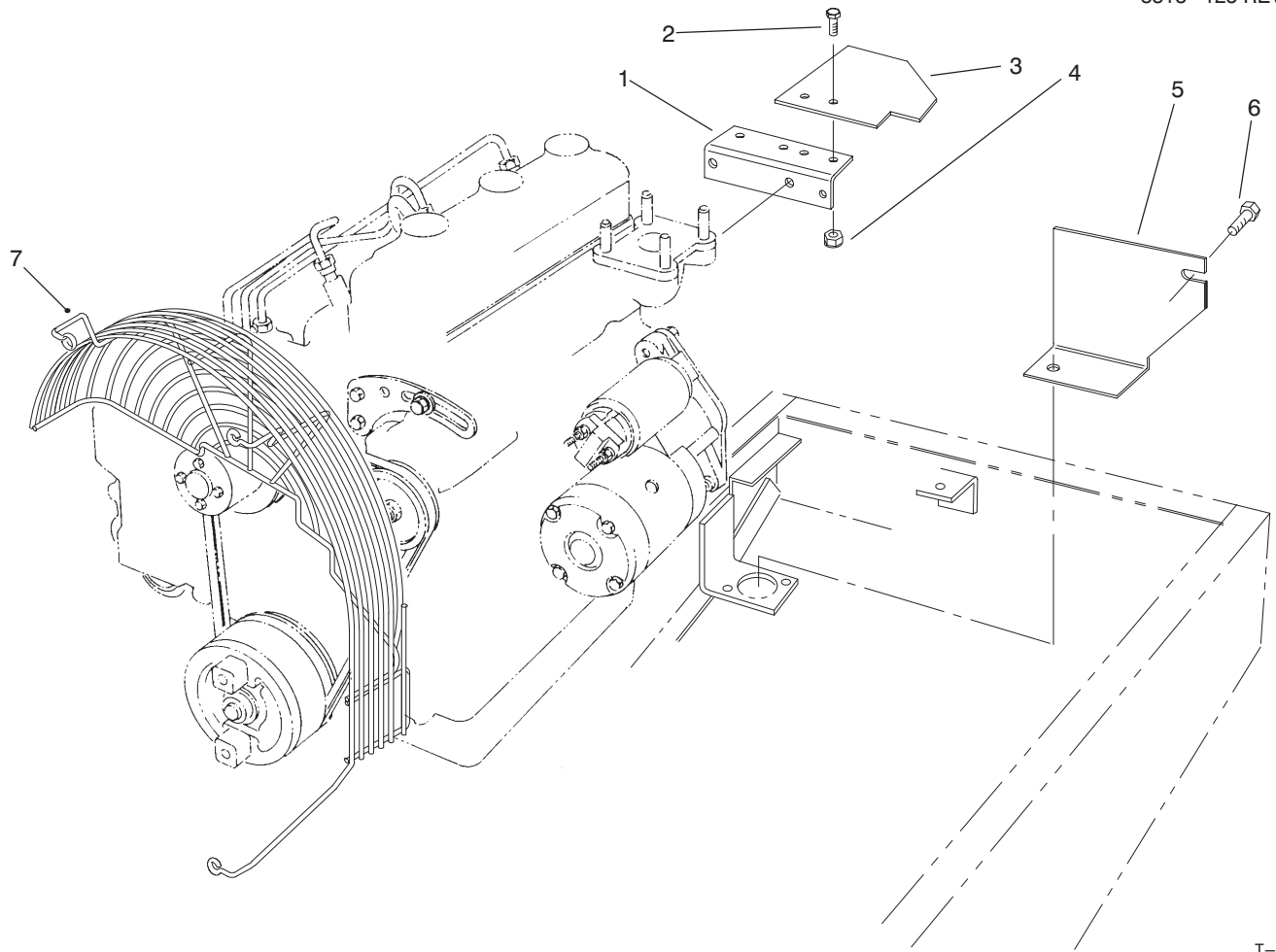
T-0543C

### POWER TAKE OFF ASSEMBLY (Continued)

Ref. No.	Part No.	Description	No. Used
50	322-6	Screw - Cap Hex. Hd.	1
51	302-40	Fitting - Grease	1
52	283-58	Pin - Clevis	1
53	3272-10	Pin - Cotter	1

Ref. No.	Part No.	Description	No. Used
54	32128-25	Nut - Lock	1
55	251-77	Collar - Locking	1
56	3245-35	Screw - Set	1

\*Not Illustrated

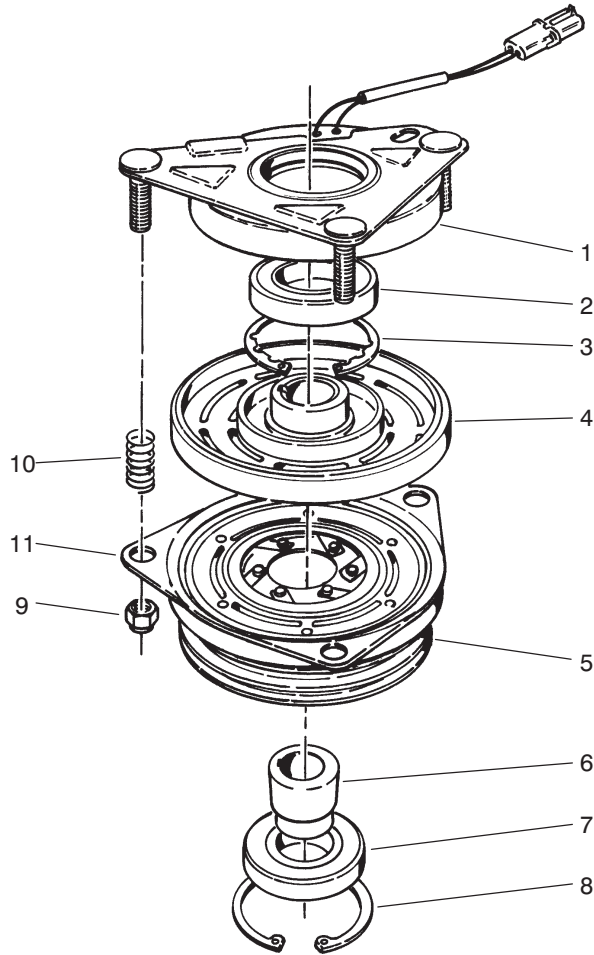


T-2418

## CE ENGINE COMPONENT ASSEMBLY (EUROPE)

Ref. No.	Part No.	Description	No. Used
1	93-9991	Bracket - Clutch Anchor	1
2	321-3	Screw - HH	2
3	93-9990	Guard - Flywheel	1
4	3296-42	Nut - Lock	2

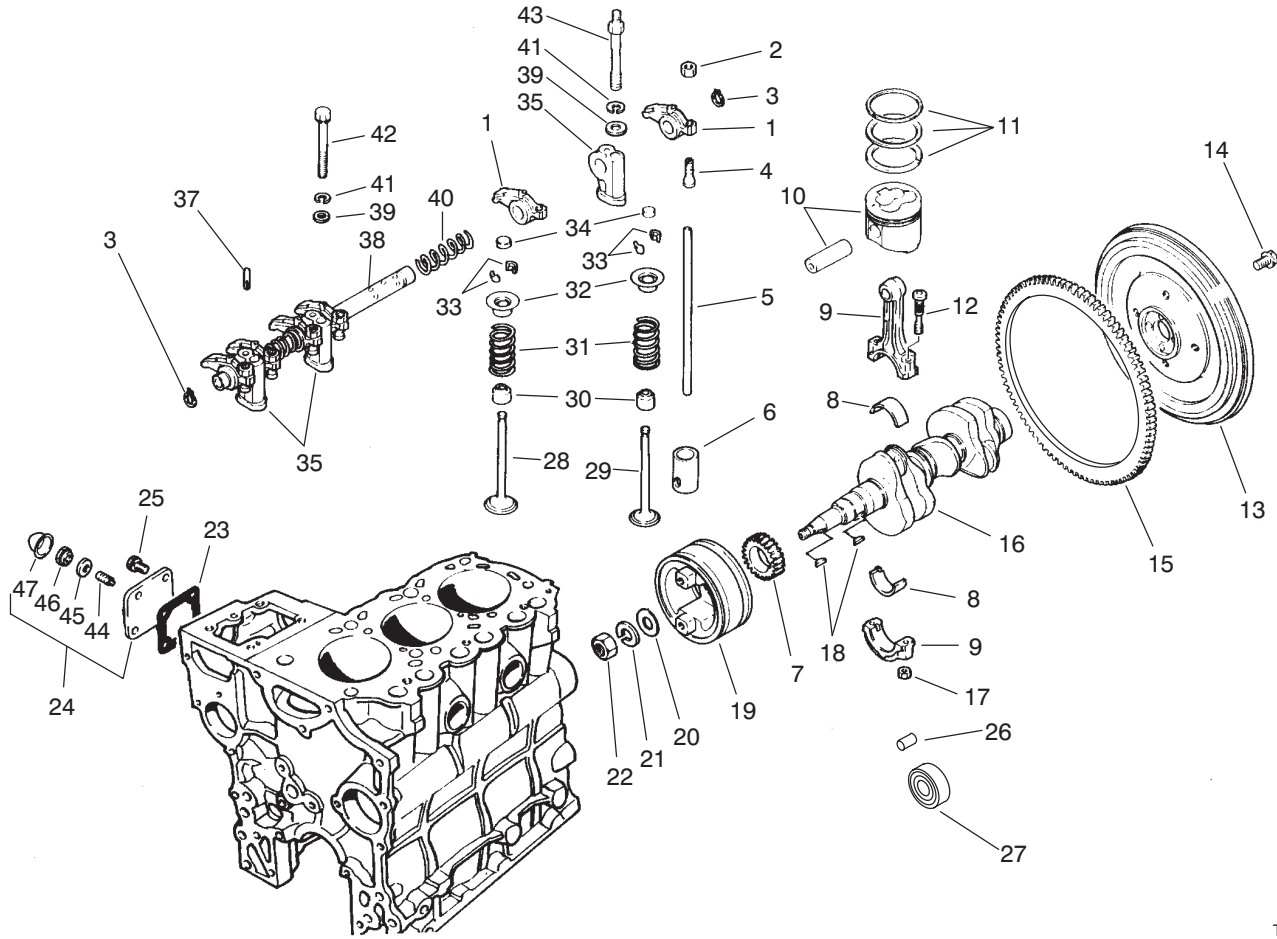
Ref. No.	Part No.	Description	No. Used
5	93-9997	Guard - Flywheel	1
6	93-9992	Screw - HH	1
7	93-9949	Guard - Fan	1



T-0544

## CLUTCH ASSEMBLY NO. 63-6050

Ref. No.	Part No.	Description	No. Used	Ref. No.	Part No.	Description	No. Used
1	67-7050	Field Rotor Assembly (Incl. Ref. #2-4)	1	6	67-7080	Collar - Bearing	1
2		Bearing - Field	1	7	67-7090	Bearing - Pulley	1
3		Ring - Retaining	1	8	67-7060	Ring - Retaining	1
4		Field Coil Assembly	1	9	3296-6	Nut - Lock	3
5	67-7070	Armature & Pulley Assembly (Incl. Ref. #6-8)	1	10	44-8320	Spring	3
				11	67-7100	Plate - Brake	1

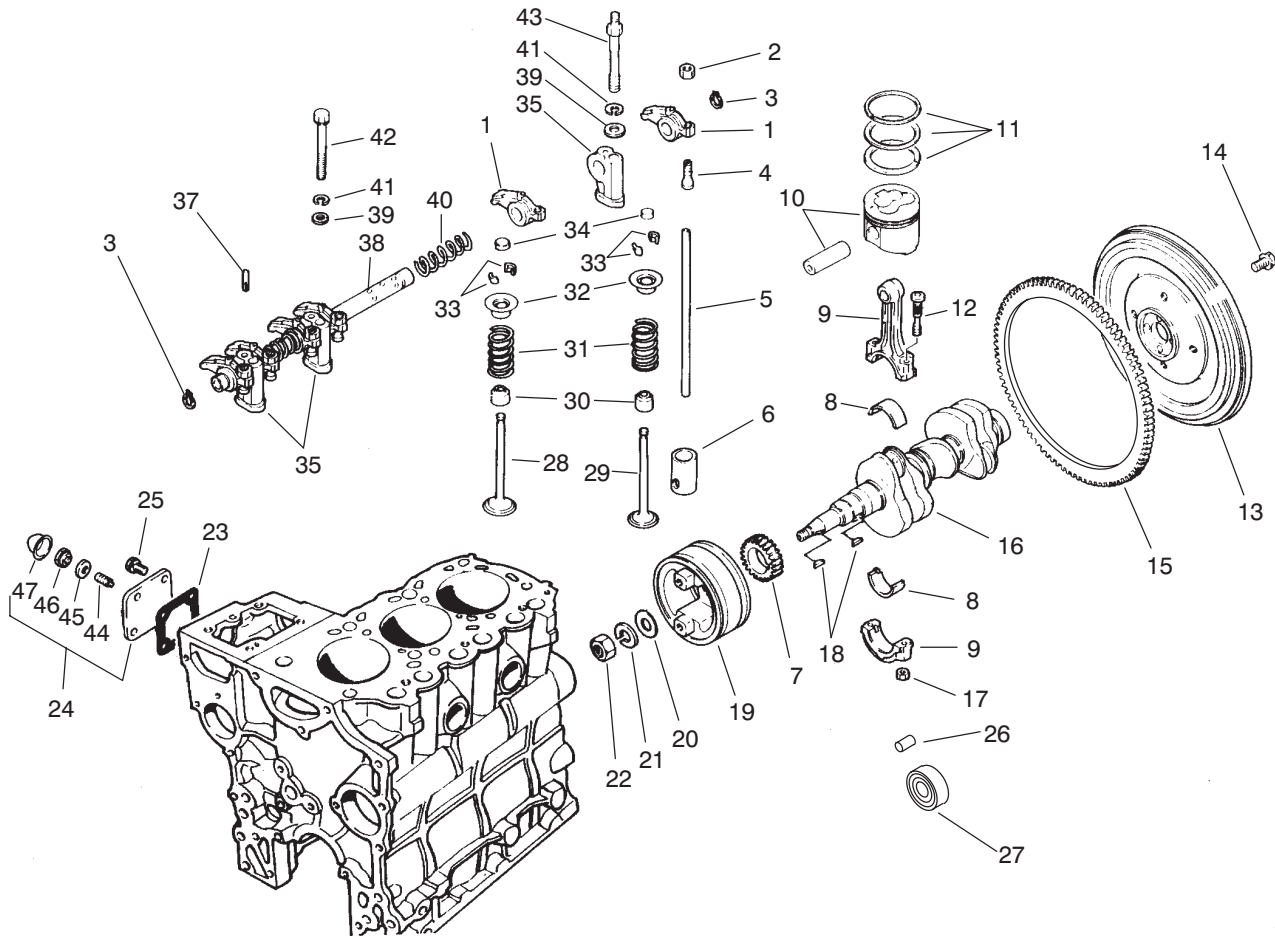


T-0565

## VALVES AND CRANKSHAFT ASSEMBLY

Ref. No.	Part No.	Description	No. Used	Ref. No.	Part No.	Description	No. Used
1	67-3160	Arm-Rocker	6	15	67-2980	Gear - Ring	1
2	67-3230	Nut - Jam	6	16	92-0845	Crankshaft	1
3	67-3240	Snap Ring	2	17	42-9590	Nut	6
4	67-3210	Screw - Adjusting	6	18	56-0480	Key - Woodruff	2
5	67-3150	Rod-Push	6	19	67-2930	Pulley - Crankshaft	1
6	67-3120	Tapet	6	20	67-2950	Washer	1
7	67-2910	Gear	1	21	67-2960	Washer - Lock	1
8	75-5010	Bearing Set STD	3	22	67-2940	Nut - Jam	1
*	67-2890	Bearing Set 0.25 mm US	3	23	67-4310	Gasket	1
*	67-2900	Bearing Set 0.50 mm US	3	24	75-5110	Cover Assy. (Incl. Ref. #44-47)	1
9	67-2850	Connecting Rod Assembly (Incl. Ref. #12 & 17)	3	25	42-9440	Bolt W/Washer	4
10	75-5080	Piston & Pin Set STD	3	28	67-3130	Valve - Intake	3
*	75-5090	Piston & Pin Set 0.25 mm OS	3	29	67-3140	Valve - Exhaust	3
*	75-5100	Piston & Pin Set 0.50 mm OS	3	30	42-7870	Seal	6
11	75-5050	Ring Set STD	3	31	67-3110	Spring	6
*	75-5060	Ring Set 0.25 mm OS	3	32	67-3100	Retainer	6
*	75-5070	Ring Set 0.50 mm OS	3	33	42-7860	Lock	12
12	67-2860	Bolt	6	34	67-3180	Cap	6
13	67-2970	Flywheel Assembly (Incl. Ref. #14)	1	35	67-3200	Stay - Rocker	3
14	67-2990	Bolt	4	37	67-3220	Pin	1
				38	67-3190	Rocker Shaft Assembly	1
				39	42-9660	Washer	3
				40	67-3170	Spring	2

\*Not Illustrated

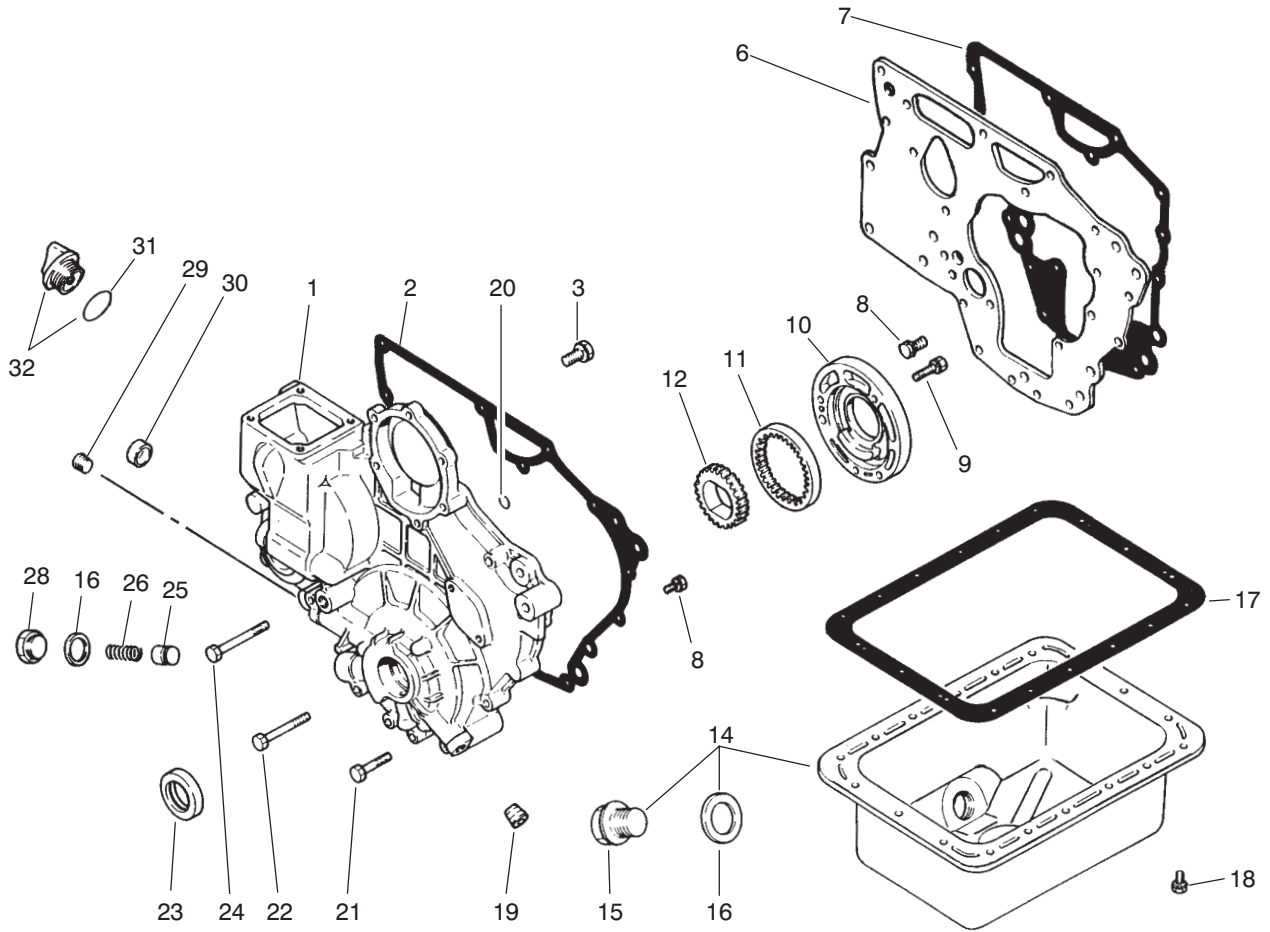


T-0565

## VALVES AND CRANKSHAFT ASSEMBLY (Continued)

Ref. No.	Part No.	Description	No. Used
41	67-3260	Washer	3
42	42-9510	Bolt	1
43	67-3250	Bolt-Rocker Stay	2
44	43-3160	Screw - Adjusting	1

Ref. No.	Part No.	Description	No. Used
45	75-5120	Gasket	1
46	43-5960	Nut - Special	1
47	43-2820	Cap - Sealing	1



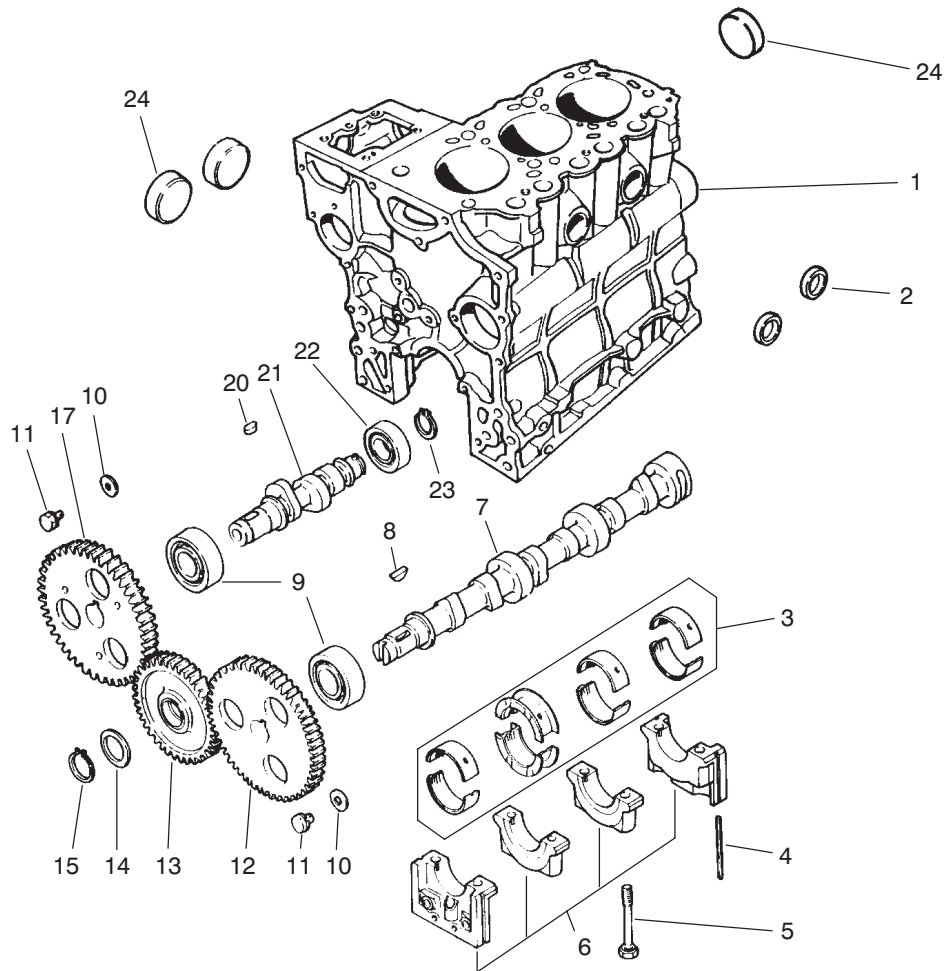
T-0567

## CRANKCASE ASSEMBLY

Ref. No.	Part No.	Description	No. Used
1	94-1259	Case	1
2	67-2580	Gasket - Case	1
3	67-2340	Bolt W/Washer	3
6	67-2310	Plate - Front	1
7	67-2320	Gasket - Plate	1
8	42-9440	Bolt W/Washer	11
9	67-2560	Bolt W/Washer	3
10	67-2550	Housing - Oil Pump	1
11	67-2540	Gear - Outer	1
12	67-2530	Gear - Inner	1
14	75-4910	Oil Pan Assembly (Incl. Ref. #15-16)	1
15	42-9260	Plug - Drain	1
16	42-7290	Gasket - Drain	2
17	67-2480	Gasket - Oil Pan	1
18	42-9490	Bolt W/Washer	18

Ref. No.	Part No.	Description	No. Used
19	42-7210	Plug-Taper	1
20	67-2630	Seal - O-Ring	2
21	67-2600	Bolt	3
22	67-2610	Bolt	4
23	67-2590	Seal - Oil	1
24	67-2620	Bolt	1
25	67-2500	Plunger - Relief	1
26	67-2510	Spring - Relief	1
28	67-2520	Plug	1
29	67-2570	Plug - Taper	1
30	67-2640	Cap	1
31	67-2660	Seal - O-Ring	1
32	67-2650	Oil Fill Cap Assembly (Incl. Ref. #31)	1
*	75-5040	Gasket Kit (Incl. Ref. #2, 7, 16 & 17)	1

\*Not Illustrated



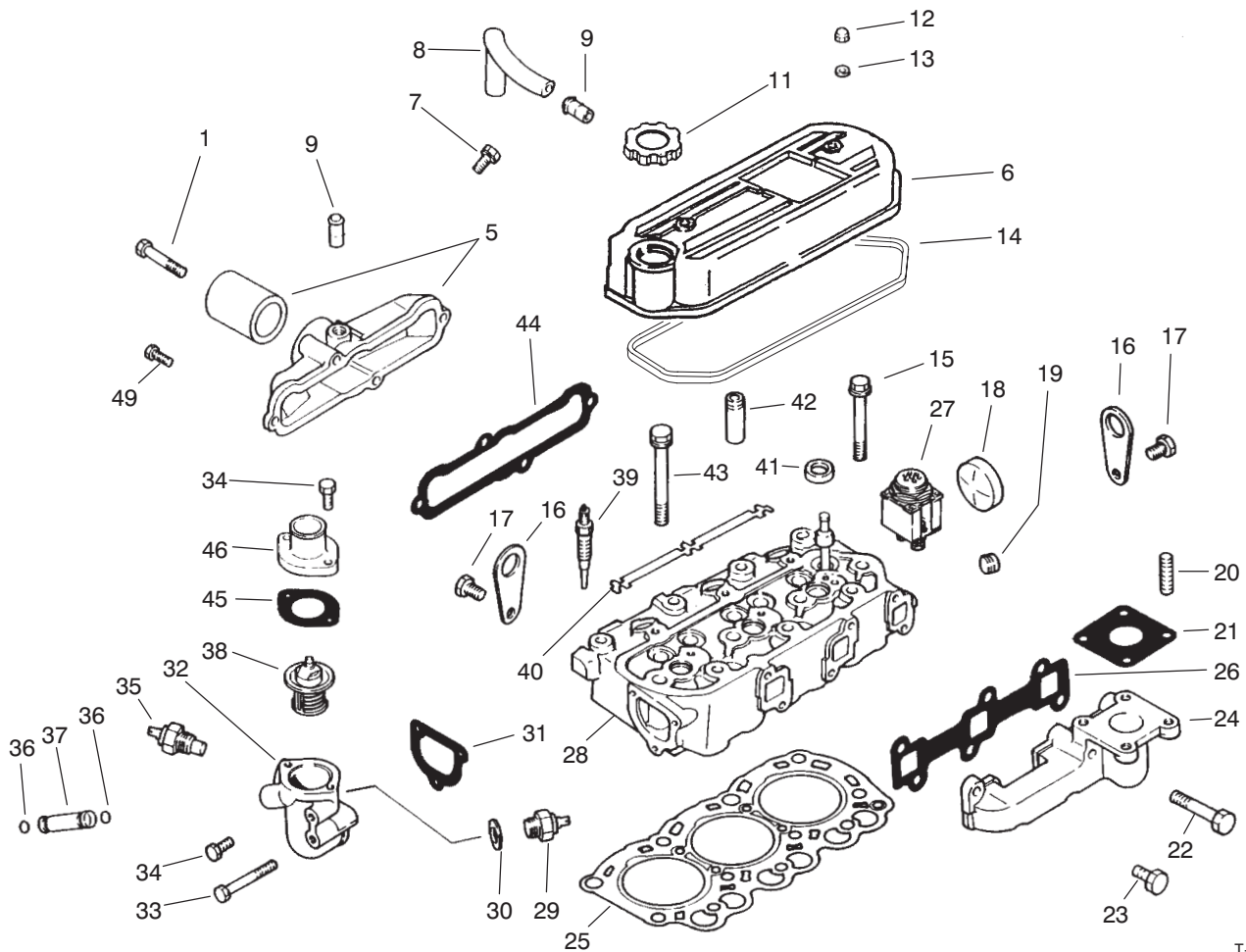
T-0564

## CAMSHAFT ASSEMBLY

Ref. No.	Part No.	Description	No. Used
1	94-1257	Block Assembly (Incl. Ref. #2, 5, 6 & 24)	1
2	42-7080	Cap	2
3	75-4900	Bearing Set STD	1
*	67-2410	Bearing Set 0.25 mm US	1
*	67-2420	Bearing Set 0.50 mm US	1
4	67-2200	Seal	4
5	67-2250	Bolt	8
6		Cap Assembly	1
7	67-3010	Cam Shaft	1
8	56-0480	Key - Woodruff	1
9	67-3030	Bearing	2

Ref. No.	Part No.	Description	No. Used
10	67-3000	Washer	2
11	42-9490	Bolt W/Washer	2
12	67-3020	Gear	1
13	67-3090	Gear Assembly	1
14	67-3040	Plate	1
15	56-1060	Snap Ring	1
17	67-3070	Gear	1
20	42-7840	Key	1
21	67-3060	Shaft	1
22	67-3050	Bearing	1
23	67-3080	Snap Ring	1
24	56-0020	Plug	3

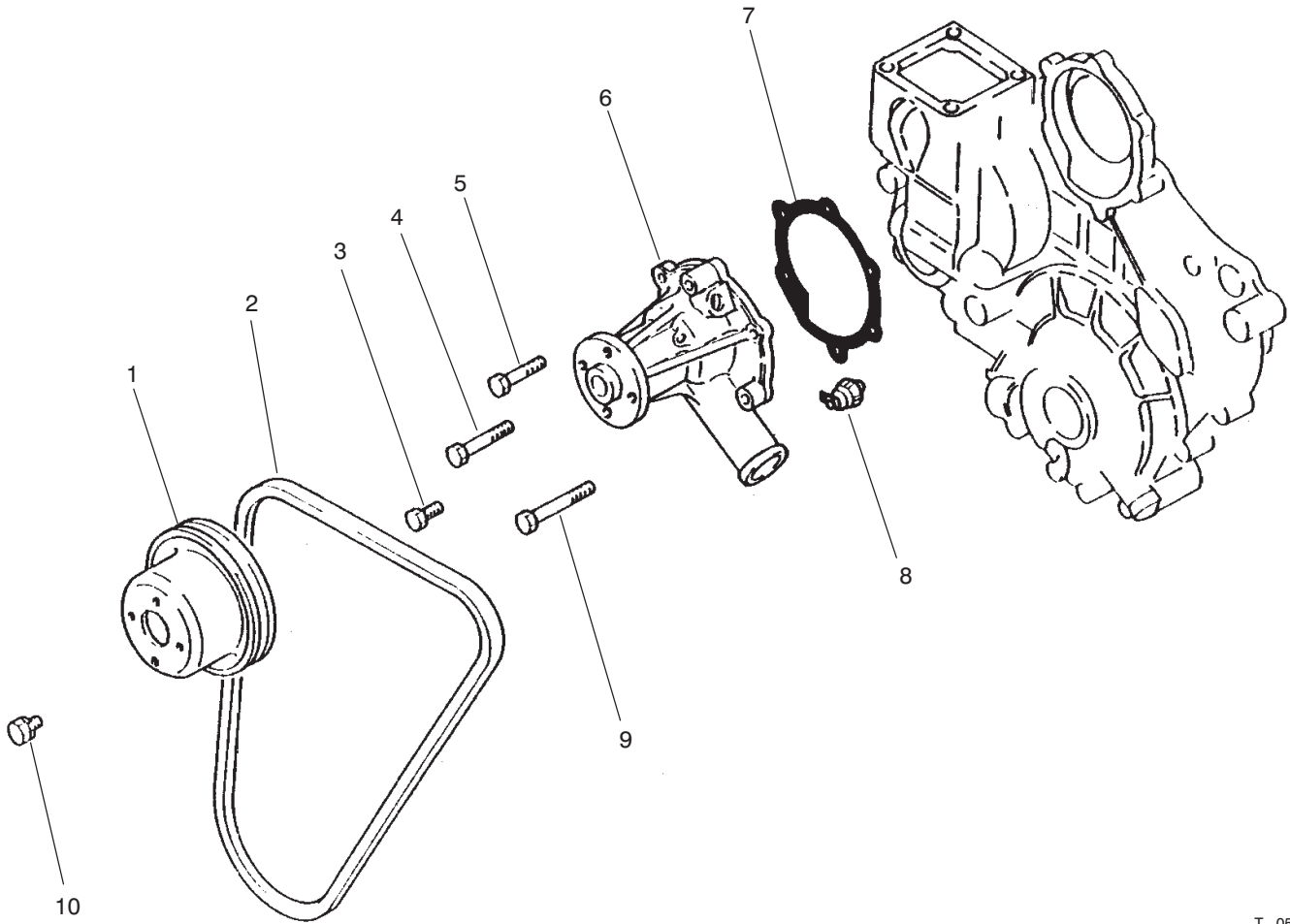
\*Not Illustrated



T-0566D

## CYLINDER HEAD ASSEMBLY

Ref. No.	Part No.	Description	No. Used	Ref. No.	Part No.	Description	No. Used
1	67-4400	Bolt	2	26	67-4570	Gasket - Exhaust Manifold	1
5	94-3533	Cover Assembly - Intake (Incl. Ref. #9)	1	27	67-4700	Lamp - Glow	1
6	92-0846	Cover Assembly (Incl. Ref. #9)	1	28	75-4930	Cylinder Head Assembly (Incl. Ref. #18, 41 & 42)	1
7	42-9430	Bolt W/Washer	1	29	67-4500	Switch - Thermo	1
8	67-2670	Hose - Breather	1	30	67-4490	Gasket	1
9	42-7510	Pipe	2	31	67-4460	Gasket - Switch	1
11	92-0847	Cap - Oil Filler	1	32	67-4450	Fitting - Thermostat	1
12	67-2770	Nut - Cap	2	33	67-4470	Bolt	1
13	67-2780	Washer	2	34	67-2330	Bolt	4
14	67-2760	Gasket	1	35	67-4510	Gauge Nut - Temperature	1
15	67-2740	Bolt - Flange	3	36	43-2710	Seal - O-Ring	2
16	67-2680	Hanger - Engine	2	37	67-4480	Pipe - By-Pass	1
17	67-2340	Bolt W/Washer	4	38	67-4440	Thermostat	1
18	56-0020	Plug - Expansion	1	39	67-4680	Plug - Glow	3
19	67-2570	Plug - Taper	1	40	67-4690	Plate - Glow Plug	1
20	42-9570	Stud	4	41	67-2710	Cap - Sealing	3
21	42-9110	Gasket	1	42	67-2700	Guide - Valve	6
22	67-4580	Bolt	2	43	67-2730	Bolt	8
23	67-4590	Bolt	4	44	67-4550	Gasket - Intake Manifold	1
24	67-4560	Manifold - Exhaust	1	45	67-4430	Gasket - Fitting	1
25	94-1258	Gasket - Cylinder Head	1	46	67-4420	Fitting - Water	1
				49	67-2330	Bolt	2

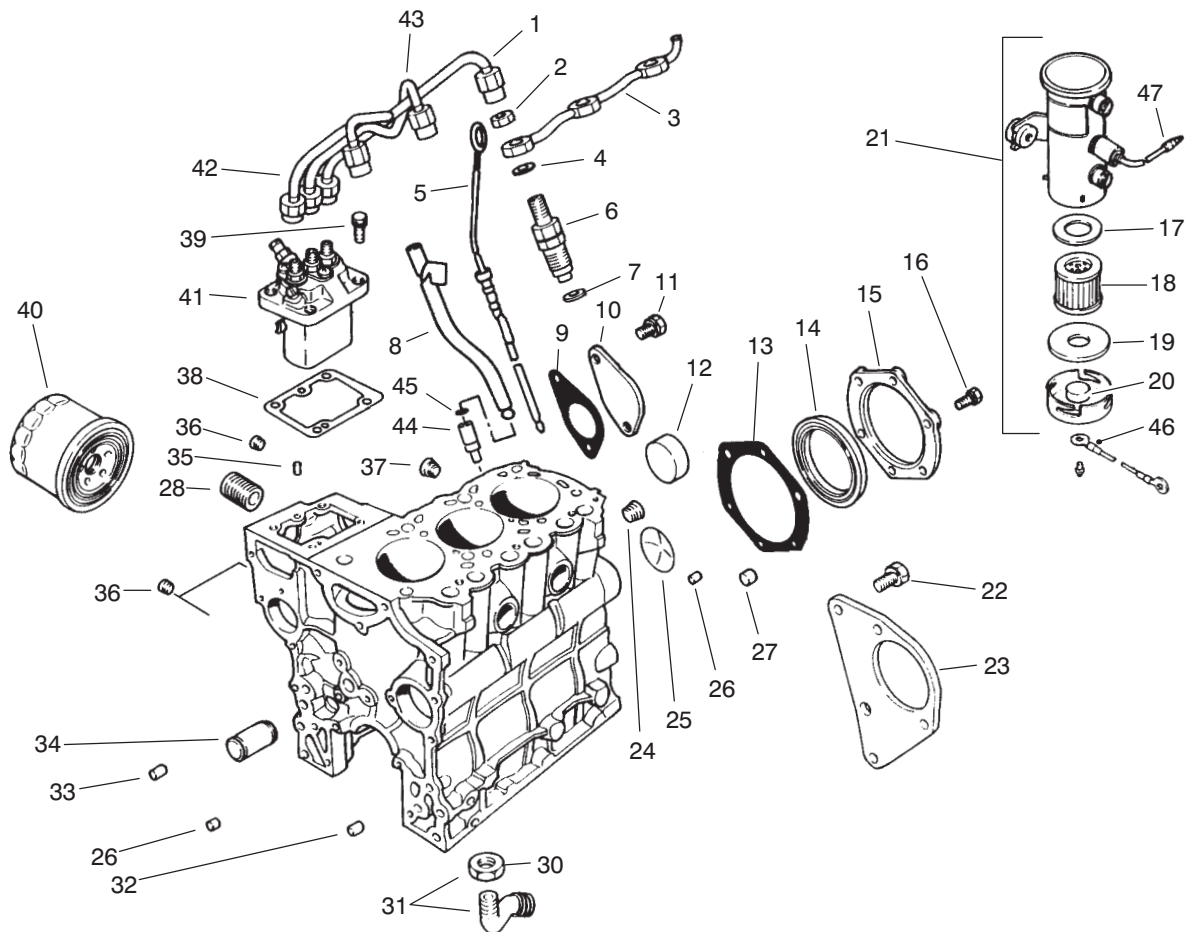


T-0568

## WATER PUMP ASSEMBLY

Ref. No.	Part No.	Description	No. Used
1	67-4360	Pulley – Water Pump	1
2	67-4410	V-Belt	1
3	67-2330	Bolt	2
4	67-4400	Bolt	1
5	67-2600	Bolt	1

Ref. No.	Part No.	Description	No. Used
6	67-4380	Water Pump Assembly	1
7	67-4390	Gasket – Water Pump	1
8	67-4350	Switch – Oil Pressure	1
9	67-2610	Bolt	2
10	42-9490	Bolt W/Washer	4

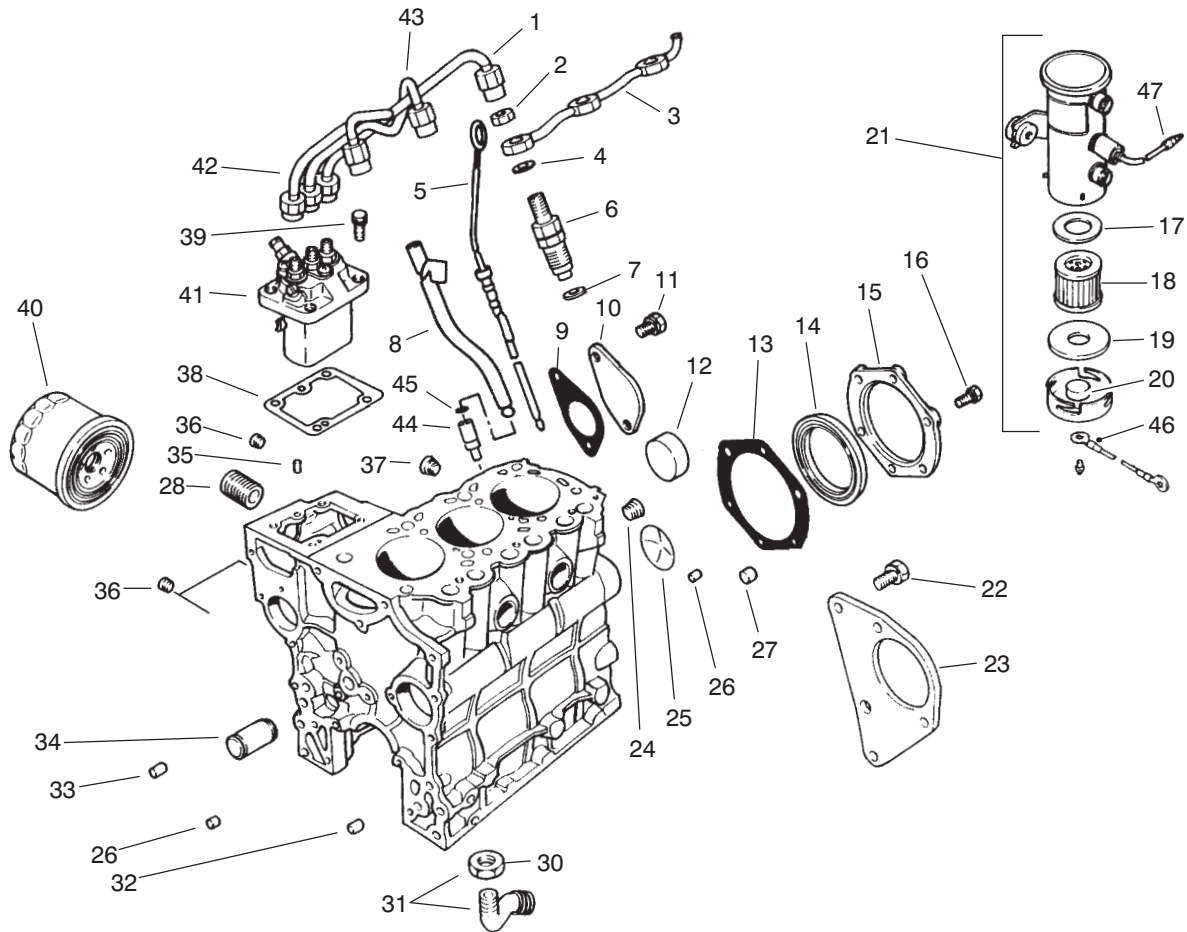


T-0569-3

## FUEL SUPPLY & ENGINE BLOCK ASSEMBLY

Ref. No.	Part No.	Description	No. Used	Ref. No.	Part No.	Description	No. Used
1	67-3420	Pipe Assy. No. 3	1	26	67-2360	Bushing - Knock	2
2	67-3430	Nut	3	27	67-2380	Bushing - Knock	3
3	70-8700	Pipe - Fuel Return	1	28	56-1230	Shaft - Oil Filter	1
4	67-3440	Gasket	3	30	42-9650	Nut - Jam	1
5	70-8880	Dipstick	1	31	67-4340	Screen Assembly (Incl. Ref. #30)	1
6	67-3380	Nozzle & Holder Assembly	1	32	67-2370	Bushing - Knock	1
7	67-3390	Gasket - Nozzle Holder	3	33	42-7190	Bushing - Knock	2
8	70-8870	Guide - Oil Level	1	34	67-2260	Shaft-Idler	1
9	67-2300	Gasket	1	35	56-0220	Pin - Dowel	2
10	67-2290	Cover	1	36	67-2210	Plug - Taper	3
11	67-2340	Bolt W/Washer	2	37	56-0100	Plug - Taper	1
12	56-0020	Plug-Expansion	3	38	67-3280	Shim 0.2 mm	1
13	67-2280	Gasket-Seal, Oil	1	*	67-3290	Shim 0.3 mm	1
14	67-2230	Seal-Oil	1	*	67-3300	Shim 0.5 mm	1
15	67-2270	Case - Oil Seal	1	*	67-3310	Shim 0.4 mm	1
16	67-2330	Bolt	6	*	67-3320	Shim 0.6 mm	1
17	43-2570	Gasket - Coil Side	1	*	67-3330	Shim 0.7 mm	1
18	43-2550	Filter	1	*	67-3340	Shim 0.8 mm	1
19	43-2560	Gasket	1	*	67-3350	Shim 0.9 mm	1
20	43-2580	Magnet	1	*	67-3360	Shim 1.0 mm	1
21	53-8150	Pump Assembly (Incl. Ref. #17-20)	1	39	67-3370	Bolt W/Washer	4
22	67-2440	Bolt W/Washer	3	40	67-4330	Oil Filter Assembly	1
23	67-2430	Bracket - Starter	1	41	75-5020	Injector Pump Assembly	1
24	67-2390	Plug - Taper	1	42	67-3400	Pipe Assy. No. 1	1
25	67-2350	Plug - Expansion	1	43	67-3410	Pipe Assy. No. 2	1

\*Not Illustrated



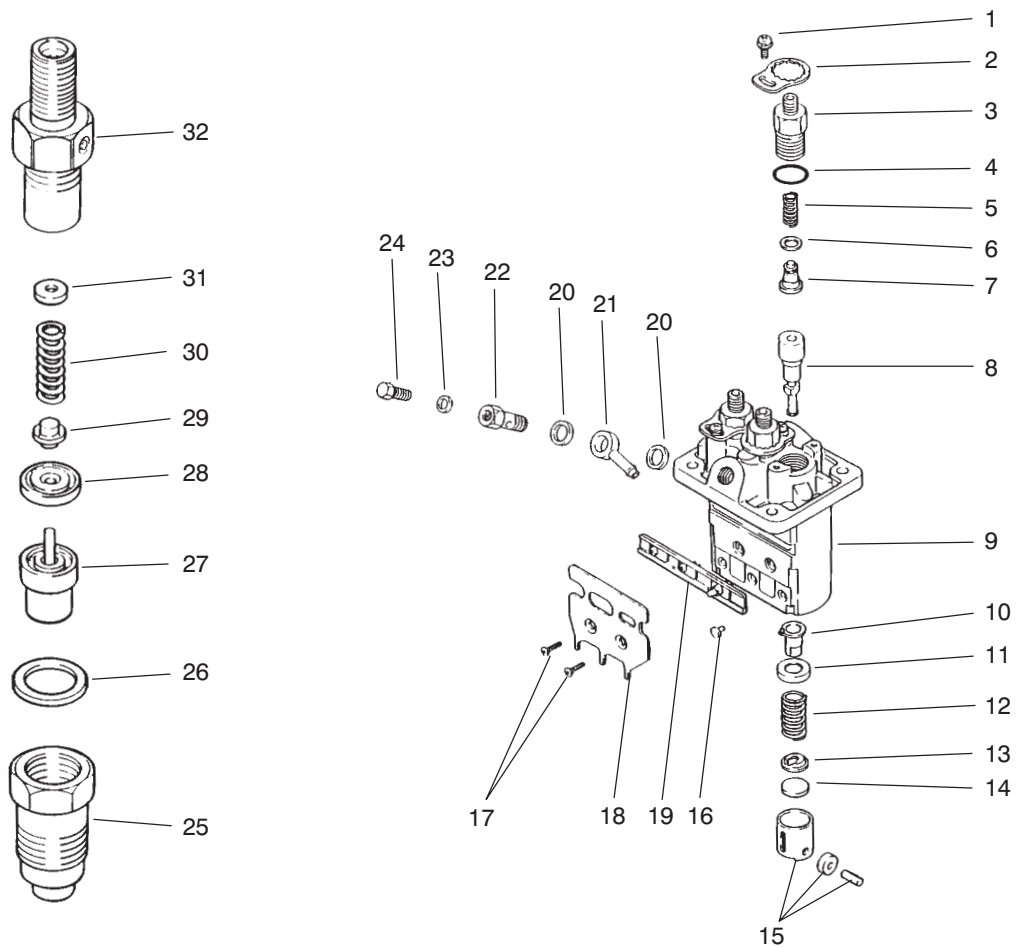
T-0569-3

## FUEL SUPPLY & ENGINE BLOCK ASSEMBLY

Ref. No.	Part No.	Description	No. Used
44	72-6950	Retainer - Oil Guide	1
45	43-2710	O-Ring	1
46	70-8530	Wire - Fuel Pump	1

Ref. No.	Part No.	Description	No. Used
47	218-579	Wire - Fuel Pump	1
*	95-3074	Kit - 400 Hour Filter (Incl. Ref. #40)	1

\*Not Illustrated

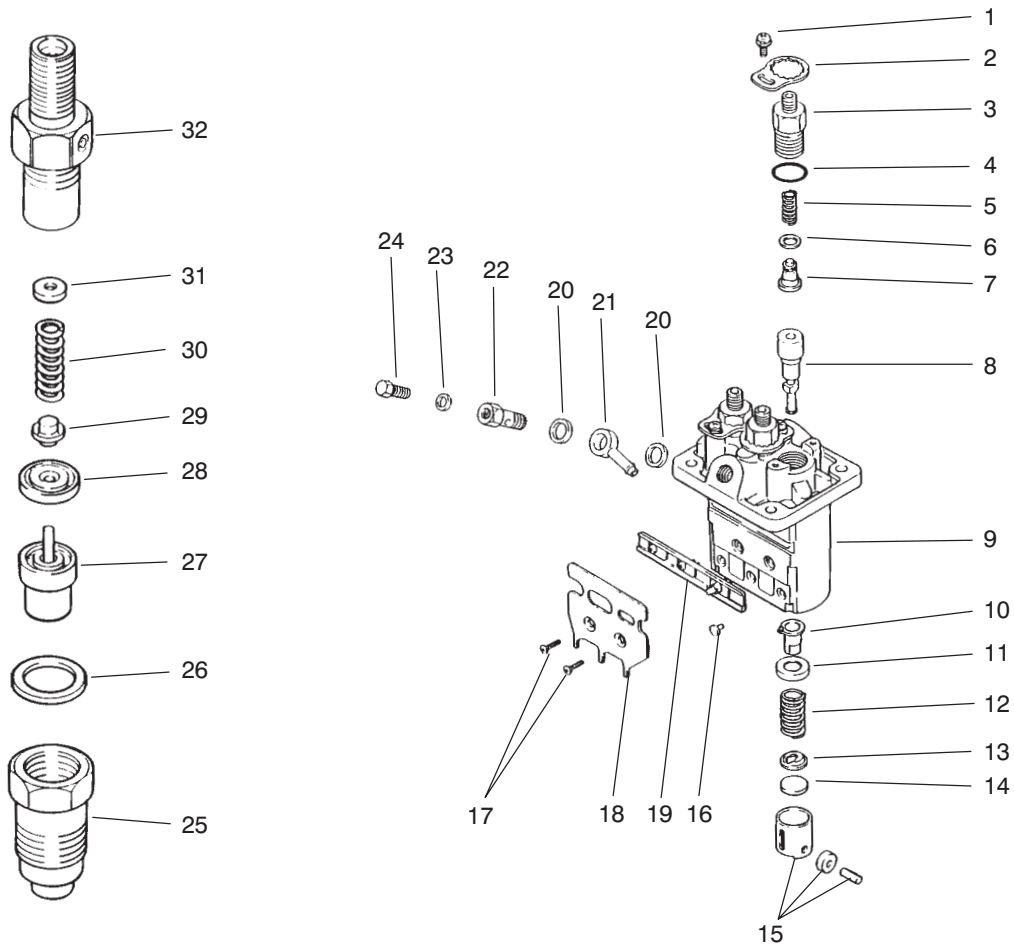


T-0570-4

## FUEL INJECTION PUMP ASSEMBLY

Ref. No.	Part No.	Description	No. Used	Ref. No.	Part No.	Description	No. Used
1	67-3770	Screw W/Washer	3	14	67-3680	Plate - Shim 2.45 mm	1
2	67-3760	Plate - Lock	3	*	67-3690	Plate - Shim 2.5 mm	1
3	67-3740	Holder-Delivery Valve	3	15	67-3700	Tappet	3
4	67-3480	Seal - O-Ring	3	16	67-3810	Pin - Tappet Guide	3
5	67-3490	Spring	3	17	67-3790	Screw	2
6	42-8240	Gasket	3	18	67-3800	Bracket - Wire Stop	1
7	67-3500	Valve	3	19	67-3780	Rack	1
8	75-4970	Element	3	20	67-3750	Washer	2
9	67-3460	Housing-Pump	1	21	67-3740	Nipple - Swivel	1
10	67-3520	Sleeve	3	22	67-3730	Screw	1
11	67-3530	Seat - Spring Upper	3	23	67-3720	Washer	1
12	67-3540	Spring	3	24	67-3710	Screw - Air Bleed	1
13	67-3550	Seat - Spring Lower	3	25	67-3970	Nut - Retaining	3
14	67-3560	Plate - Shim 1.85 mm	1	26	67-3980	Gasket	3
*	67-3570	Plate - Shim 1.9 mm	1	27	67-3960	Nozzle	3
*	67-3580	Plate - Shim 1.95 mm	1	28	67-3950	Piece - Distance	3
*	67-3590	Plate - Shim 2.0 mm	1	29	67-3940	Pin - Pressure	3
*	67-3600	Plate - Shim 2.05 mm	1	30	67-3930	Spring	3
*	67-3610	Plate - Shim 2.1 mm	1	31	67-3830	Washer 1.25 mm	1
*	67-3620	Plate - Shim 2.15 mm	1	*	67-3840	Washer 1.3 mm	1
*	67-3630	Plate - Shim 2.2 mm	1	*	67-3850	Washer 1.35 mm	1
*	67-3640	Plate - Shim 2.25 mm	1	*	67-3860	Washer 1.4 mm	1
*	67-3650	Plate - Shim 2.3 mm	1	*	67-3870	Washer 1.45 mm	1
*	67-3660	Plate - Shim 2.35 mm	1	*	67-3880	Washer 1.5 mm	1
*	67-3670	Plate - Shim 2.4 mm	1	*	67-3890	Washer 1.55 mm	1

\*Not Illustrated



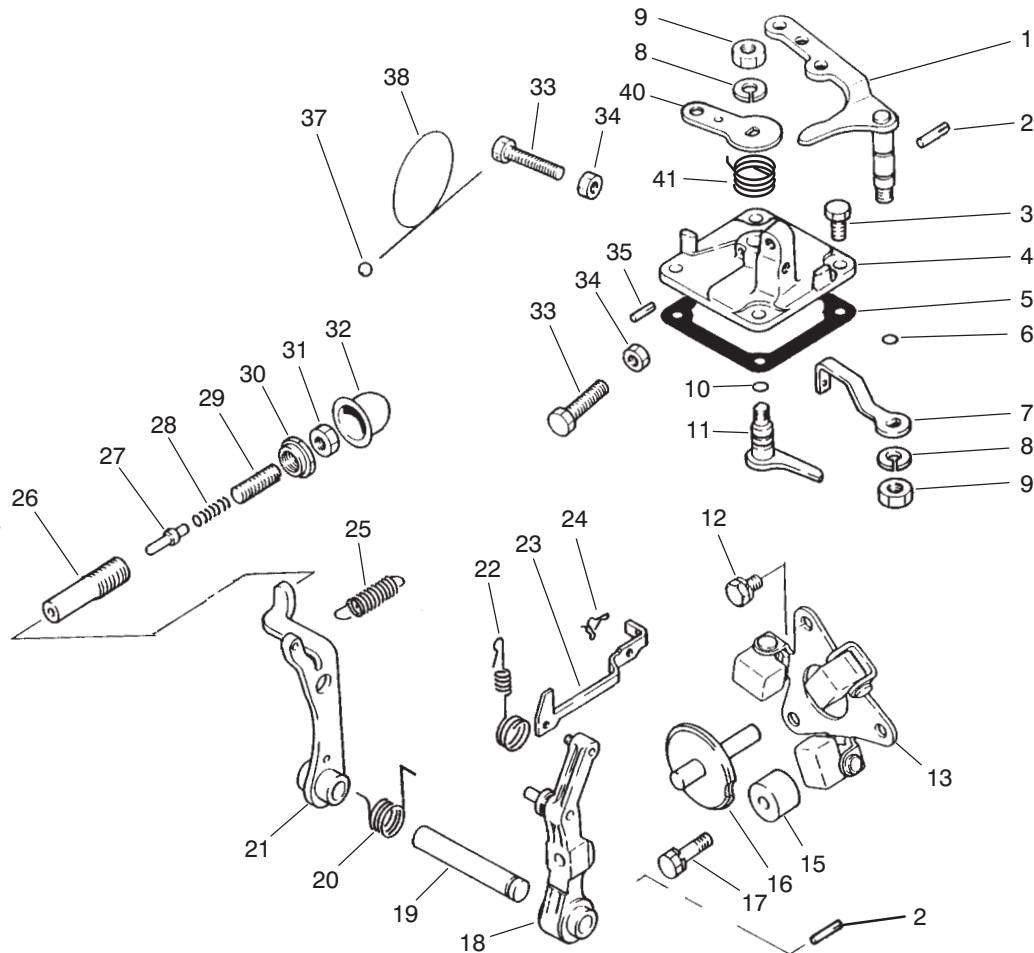
T-0570-4

## FUEL SUPPLY & ENGINE BLOCK ASSEMBLY

Ref. No.	Part No.	Description	No. Used
31	67-3870	Washer 1.45 mm	1
*	67-3880	Washer 1.5 mm	1
*	67-3890	Washer 1.55 mm	1
*	67-3900	Washer 1.6 mm	1
*	67-3910	Washer 1.65 mm	1
*	67-3920	Washer 1.7 mm	1

Ref. No.	Part No.	Description	No. Used
35	75-5000	Body	3
*	67-3380	Nozzle and Holder Assembly (Incl. Ref. #25-32)	3
*	75-5020	Injector Pump Assembly (Incl. Ref. #1-24)	1

\*Not Illustrated

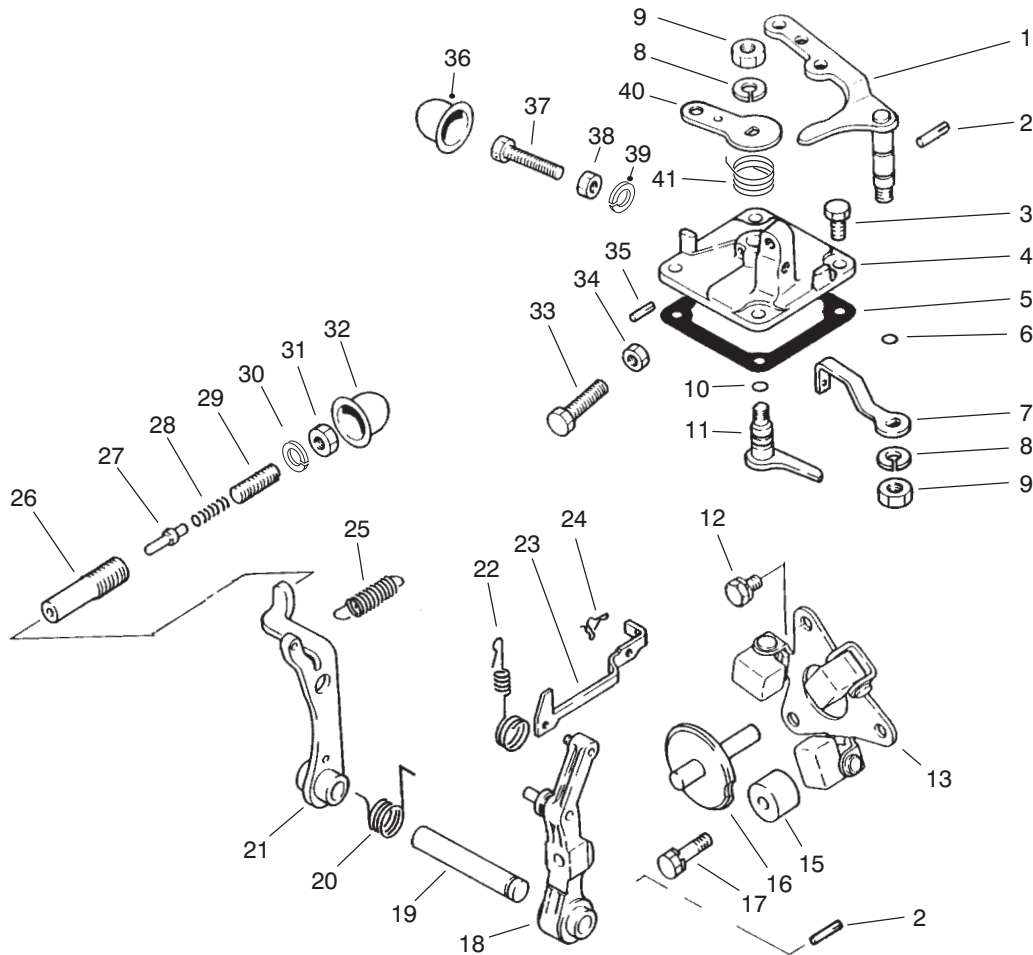


T-0571A

## GOVERNOR ASSEMBLY (Used on Serial No. 60001-60230 & 60233-60252)

Ref. No.	Part No.	Description	No. Used	Ref. No.	Part No.	Description	No. Used
1	67-3990	Lever - Speed Control	1	24	67-4080	Clip	1
2	67-4000	Pin	2	25	75-4990	Spring - Governor	1
3	67-4270	Bolt	4	26	67-4210	Case - Torque Spring	1
4	67-4130	Cover - Governor	1	27	67-4230	Stopper	1
5	67-4160	Gasket	1	28	67-4190	Spring - Torque	1
6	42-8830	Seal - O-Ring	1	29	67-4220	Screw - Adjusting	1
7	75-4980	Lever - Governor Spring	1	30	67-4200	Nut - Special	1
8	67-3260	Washer	2	31	67-4180	Nut	1
9	42-9640	Nut - Jam	2	32	43-2820	Cap - Sealing Torque Set	1
10	42-8830	Seal - O-Ring	1	33	42-9420	Bolt - Speed Set	4
11	67-4140	Lever - Stop	1	34	67-4290	Nut	4
12	42-9430	Bolt W/Washer	2	35	67-4120	Pin - Grooved	1
13	67-4040	Weight Assembly	1	37	42-8690	Metal - Sealing	1
15	67-4010	Stopper	1	38	42-8700	Wire	1
16	67-4070	Shaft - Sliding	1	40	67-4150	Lever - Stop	1
17	67-4280	Bolt W/Washer	1	41	94-3827	Spring - Return	1
18	67-4060	Lever - Governor	1	*	67-4110	Cover Assembly (Incl. Ref. #4, 8-11, 35, 40 & 41)	1
19	67-4050	Shaft - Governor	1	*	67-4170	Spring Set (Incl. Ref. #26-31)	1
20	67-5040	Spring	1				
21	67-4090	Lever - Tension	1				
22	70-8720	Spring - Tie Rod	1				
23	67-4030	Rod - Tie	1				

\*Not Illustrated



T-0571-2

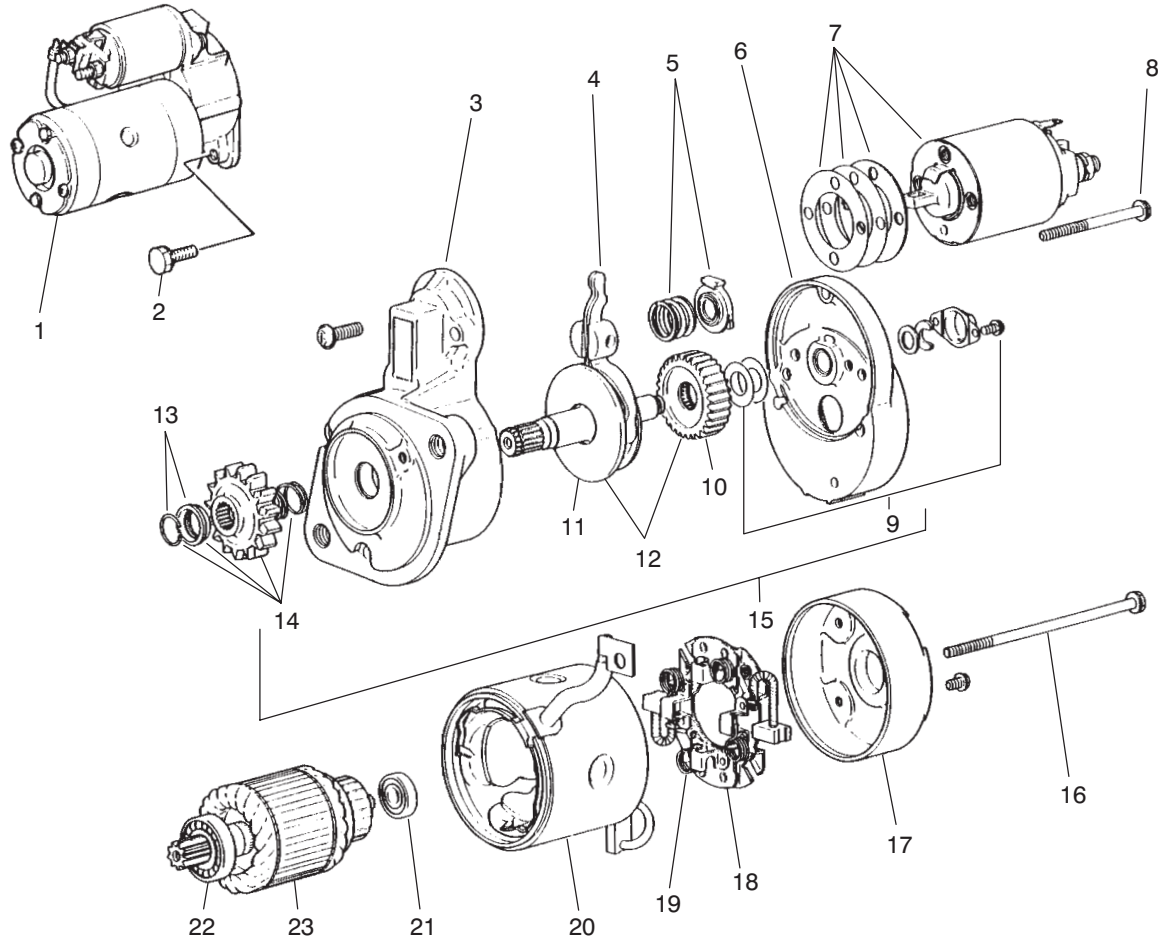
## GOVERNOR ASSEMBLY (Used on Serial No. 60231, 60232, 60253 & Up)

Ref. No.	Part No.	Description	No. Used
1	67-3990	Lever - Speed Control	1
2	67-4000	Pin	2
3	67-4270	Bolt	4
†4		Cover - Governor	1
5	67-4160	Gasket	1
6	42-8830	Seal - O-Ring	1
7	75-4980	Lever - Governor Spring	1
8	67-3260	Washer	2
9	42-9640	Nut - Jam	2
10	42-8830	Seal - O-Ring	1
11	67-4140	Lever - Stop	1
12	42-9430	Bolt W/Washer	2
13	67-4040	Weight Assembly	1
15	67-4010	Stopper	1
16	67-4070	Shaft - Sliding	1
17	67-4280	Bolt W/Washer	1
18	67-4060	Lever - Governor	1
19	67-4050	Shaft - Governor	1
20	67-5040	Spring	1
21	67-4090	Lever - Tension	1
22	70-8720	Spring - Tie Rod	1

Ref. No.	Part No.	Description	No. Used
23	67-4030	Rod - Tie	1
24	67-4080	Clip	1
25	75-4990	Spring - Governor	1
†26		Case - Torque Spring	1
†27		Stopper	1
†28		Spring - Torque	1
†29		Screw - Adjusting	1
†30		Nut - Special	1
†31		Nut	1
†32		Cap - Sealing Torque Set	1
33	95-9605	Bolt - Speed Set	1
34	67-4290	Nut	1
35	67-4120	Pin - Grooved	1
†36		Cover - High Speed Set	1
†37		Bolt - High Speed Set	1
†38		Nut - High Speed Set	1
†39		C-Ring, High Speed Set	1
40	67-4150	Lever - Stop	1
41	94-3827	Spring - Return	1
†*		Spring Set (Incl. Ref. #26-29 & 31))	1

\*Not Illustrated

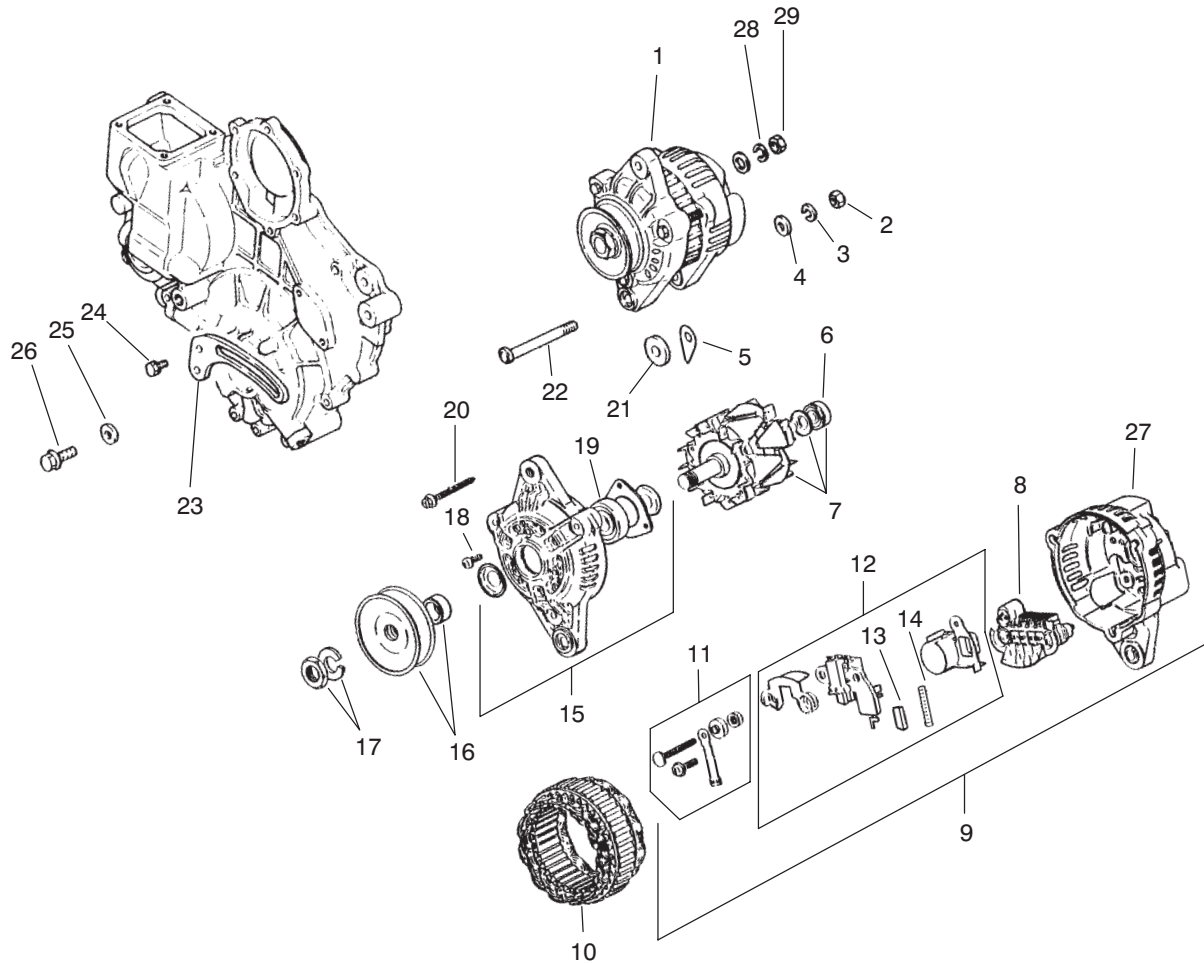
† Items must be serviced by a Mitsubishi Authorized Toro Dealer/Distributor.



T-0572

## STARTER ASSEMBLY

Ref. No.	Part No.	Description	No. Used	Ref. No.	Part No.	Description	No. Used
1	70-8760	Starter Assembly (Incl. Ref. #3-23)	1	14	67-4770	Pinion Set (Incl. Ref. #13)	1
2	67-4610	Bolt W/Washer	2	15	67-4760	Shaft Assembly (Incl. Ref. #9, 12 & 14)	1
3	70-8770	Bracket - Front	1	16	56-1610	Bolt	1
4	67-4720	Lever	1	17	56-1720	Bracket - Rear	1
5	67-4730	Spring Set	1	18	56-1700	Holder - Brush (Incl. Ref. #19)	1
6	70-8780	Bracket - Center	1	19	56-1710	Spring - Brush	4
7	67-4750	Switch	1	20	67-4800	Yoke	1
8	56-1570	Bolt Set	1	21	56-1600	Bearing - Rear	1
9	56-1680	Cover Set	1	22	56-1590	Bearing - Front	1
10	56-1670	Gear	1	23	56-1580	Armature Set (Incl. Ref. #21 & 22)	1
11	67-4790	Shaft	1				
12	67-4780	Gear Set (Incl. Ref. #10 & 11)	1				
13	56-1640	Stopper Set	1				



T-0573

## ALTERNATOR ASSEMBLY

Ref. No.	Part No.	Description	No. Used
1	67-4630	Alternator Assembly (Incl. Ref. #6-17)	1
2	67-4670	Nut	1
3	67-3260	Washer	1
4	42-9660	Washer	1
5	43-0370	Shim	1
6	67-4870	Bearing - Rear	1
7	67-4860	Rotor Assembly (Incl. Ref. #6)	1
8	67-4930	Rectifier	1
9	67-4890	Rear Cover Assembly (Incl. Ref. #8, 11, 12 & 27)	1
10	67-4880	Stator	1
11	67-4900	Terminal Set	1
12	67-4910	Regulator Assembly (Incl. Ref. #13 & 14)	1

Ref. No.	Part No.	Description	No. Used
13	67-4920	Brush	2
14	43-0510	Spring - Brush	2
15	67-4830	Front Bracket Assembly (Incl. Ref. #18 & 19)	1
16	67-4810	Pulley Set	1
17	43-1920	Nut Set	1
18	67-4840	Screw Set	1
19	67-4850	Bearing - Front	1
20	67-4820	Bolt Set	1
21	67-4620	Spacer	1
22	67-4640	Bolt	1
23	75-4940	Brace - Alternator	1
24	42-9440	Bolt W/Washer	1
25	54-8660	Washer	1
26	67-4660	Bolt - Flange	1
27	72-6140	Cover - Rear	1

# TORO PART NUMBER INDEX

3318-125 REV C

Part No.	Description	Pg. No.	Ref. No.	Qty.	Part No.	Description	Pg. No.	Ref. No.	Qty.
936125	Ring – Retaining	17	37	1	27-9620	Screw – Cap Hex. Hd.	17	29	1
3-4324	Washer	35	38	1	28-0670	Oil Seal	16	13	2
3-6624	Spring	35	27	1	28-0680	Brake Drum	16	11	2
3-6657	Clip – Skid	34	33	1	28-1280	Boot – Positive Cable	9	63	1
3-7243	Spring – Return	5	20	2	28-3300	Bearing – Roller	19	4	1
4-2390	Washer	35	28	1	28-3310	Bearing – Needle	19	5	2
5-0652	Spacer	17	30	1	28-3340	Gasket	19	49	1
5-0652	Spacer	34	31	1	28-3350	Pin	19	48	2
5-1226	Washer	28	37	A/R	28-3380	Plate – Motor Valve	19	45	1
5-3637	Washer – Flat	34	38	1	28-3400	O-Ring	19	24	2
5-7570	Washer	7	6	4	28-3420	Relief Valve Cone Charge	19	27	2
6-1659	Glow Plug Switch Assembly	3	13	1	28-3440	Threaded Plug	19	42	2
7-3900	Foot Pad – Brake	5	28	2	28-3450	Washer – Flat	19	36	2
12-5450	Screw – Thread Forming	14	15	8	28-3470	Lip Seal	19	34	1
14-7149	Hood Assembly	1	1	1	28-3480	Bearing – Needle	19	33	1
21-7670	Differential Case	14	6	1	28-3520	O-Ring	19	31	1
21-7690	Gear – Pinion	14	10	2	28-3530	Screw – Cap Hex. Hd.	19	30	2
21-7700	Shaft – Pinion Mate	14	7	1	28-3570	O-Ring	19	21	2
21-7720	Washer – Thrust	14	8	2	28-3580	Ring – Backup	19	20	2
21-7730	Washer – Thrust	14	11	2	28-3590	O-Ring	19	19	2
21-7770	Screw – Drive Gear	14	5	5	28-3640	Shaft – Pump	19	12	1
21-7830	Cover – Gear	14	16	1	28-3650	Bearing – Ball	19	10	1
21-8020	Spacer – Frt. Pinion Bearing	15	29	1	28-3670	Shaft – Trunnion	19	8	1
21-8090	Differential Adjust. Shim.	15	35	A/R	28-5220	Wheel – Friction	7	5	1
21-8100	Differential Adjust. Shim.	15	36	A/R	28-8070	Lanyard	25	66	1
21-8110	Differential Adjust. Shim.	15	37	A/R	29-4730	Washer – PTO	8	16	1
21-8120	Differential Adjust. Shim.	15	38	A/R	29-6150	Spring – Leaf	21	22	1
21-8180	Bearing – Tapered Roller	16	3	2	29-6162	Micro Switch	21	7	1
21-8270	Pin – Dowel	14	4	2	29-6170	Spring – Extended Leaf	21	5	1
21-8360	Clip – Retaining	16	10	2	29-9790	Pump – Lever	21	2	1
21-9260	Cover – Dust	5	39	1	36-7290	Shaft & Bearing	34	5	1
21-9370	Adjusting Screw	16	7	2	37-2690	Capacitor	25	53	1
21-9380	Nut – Pivot	16	8	2	37-9590	Spring – Compression	24	44	1
21-9390	Socket – Adjusting Screw	16	6	2	38-2670	Kit – Charge Pump	19	37	1
21-9420	Spring – Shoe Return RH	16	17	2	38-2680	Pin	19	32	1
21-9430	Spring – Shoe Return LH	16	18	2	42-6080	Shim – Axle	13	24	A/R
21-9440	Screw – Spring Adjusting	16	14	2	42-7080	Cap	42	2	2
21-9450	Dust Shield	16	4	2	42-7190	Bushing – Knock	45	33	2
21-9460	Retainer – Parking Brake	16	15	4	42-7210	Plug – Taper	41	19	1
23-2270	Bushing – Rubber	17	3	1	42-7290	Gasket – Drain	41	16	2
23-2300	Oil Filter	17	27	1	42-7510	Pipe	43	9	2
23-7270	Nut – Lug	13	20	10	42-7840	Key	42	20	1
24-8790	Gear – Bevel, Differential	14	9	2	42-7860	Lock	39	33	12
24-8840	Ring – Wheel Bearing	16	22	2	42-7870	Seal	39	30	6
24-9180	Strut/Lever – Parking Brake	16	19	2	42-8240	Gasket	47	6	3
25-2380	Plate – Thrust	19	15	2	42-8690	Metal – Sealing	49	37	1
25-2430	Pin	19	46	2	42-8700	Wire	49	38	1
25-2460	Hex Hd. Plug	19	23	2	42-8830	Seal – O-Ring	49	6	1
25-2470	Shim Pack	19	25	A/R	42-8830	Seal – O-Ring	50	6	1
25-2480	Relief Valve Spring Charge	19	44	1	42-8830	Seal – O-Ring	49	10	1
25-2500	Shaft – Trunnion	19	2	1	42-8830	Seal – O-Ring	50	10	1
25-2510	Washer	19	3	2	42-9110	Gasket	43	21	1
25-3210	Lip Seal	19	7	2	42-9260	Plug – Drain	41	15	1
25-3300	Bearing – Needle	19	18	2	42-9420	Bolt – Speed Set	49	33	4
27-2360	Ignition Switch Assembly	3	7	1	42-9430	Bolt W/Washer	43	7	1
27-3680	Spacer – Mounting	17	5	4	42-9430	Bolt W/Washer	49	12	2
27-3690	Gasket – Transmission	17	38	1	42-9430	Bolt W/Washer	50	12	2
27-4240	Pin – Cylinder	10	30	2	42-9440	Bolt W/Washer	41	8	11
27-4370	Hub – Pump	17	10	1	42-9440	Bolt W/Washer	52	24	1
27-6590	Spacer	17	22	2	42-9440	Bolt W/Washer	39	25	4
27-6600	Spacer – Rubber	17	15	6	42-9490	Bolt W/Washer	44	10	4
27-6851	Shaft – Axle, Flanged RH	16	*	1	42-9490	Bolt W/Washer	42	11	2
27-6861	Shaft – Axle, Flanged LH	16	1	1	42-9490	Bolt W/Washer	41	18	18
27-7100	Air Cleaner Assembly	24	25	1	42-9510	Bolt	40	42	1
27-7110	Element Assembly	24	33	1	42-9570	Stud	43	20	4
27-7120	Nut & Gasket Assembly	24	34	1	42-9590	Nut	39	17	6
27-7130	Clamp Assembly	24	36	1	42-9600	Washer – Lock	32	9	28
27-7140	Skirt – Baffle	24	35	1	42-9600	Washer – Lock M10	31	42	24
27-7150	Cup Assembly	24	37	1	42-9640	Nut – Jam	49	9	2
27-7160	Decal – Instructions	24	24	1	42-9640	Nut – Jam	50	9	2
27-7170	Mounting Band Assembly	24	31	2	42-9650	Nut – Jam	45	30	1
27-7180	Cap Assembly	24	20	1	42-9660	Washer	52	4	1
27-7310	Decal (Caution Over Fill)	1	16	1	42-9660	Washer	39	39	3

\*Not Illustrated

# TORO PART NUMBER INDEX (Cont.)

Part No.	Description	Pg. No.	Ref. No.	Qty.	Part No.	Description	Pg. No.	Ref. No.	Qty.
42-9850	Washer - Lock	17	19	2	52-9070	Plate - Pump	21	17	1
42-9850	Washer - Lock	34	41	2	53-4430	Decal - Oil	2	34	1
42-9850	Washer - Lock M8	30	34	8	53-8130	Gasket - Exhaust	35	2	1
42-9850	Washer - Lock, M8	32	29	28	53-8150	Pump - Fuel	24	40	1
43-0370	Shim	52	5	1	53-8150	Pump Assembly	45	21	1
43-0510	Spring - Brush	52	14	2	54-7950	Drive Shaft Assembly	9	*	1
43-1920	Nut Set	52	17	1	54-8660	Washer	52	25	1
43-2550	Filter	45	18	1	54-9040	Yoke - End	8	32	1
43-2550	Filter	25	81	1	54-9050	Shaft - Slip Yoke	8	31	1
43-2560	Gasket	45	19	1	54-9090	Yoke - End	8	28	1
43-2560	Gasket	25	82	1	54-9170	Tube - Slip Yoke	8	29	1
43-2570	Gasket	25	80	1	54-9180	Kit - Joint, Universal	23	3	1
43-2570	Gasket - Coil Side	45	17	1	54-9180	Kit - Universal Joint	22	2	2
43-2580	Magnet	45	20	1	54-9180	Kit - Universal Joint	8	35	2
43-2580	Magnet	25	83	1	56-0020	Plug	42	24	3
43-2710	O-Ring	46	45	1	56-0020	Plug - Expansion	43	18	1
43-2710	Seal - O-Ring	43	36	2	56-0020	Plug-Expansion	45	12	3
43-2740	Gasket	35	24	1	56-0100	Plug - Taper	45	37	1
43-2750	Nut - Jam	35	46	1	56-0220	Pin - Dowel	45	35	2
43-2820	Cap - Sealing	40	47	1	56-0480	Key - Woodruff	42	8	1
43-2820	Cap - Sealing Torque Set	49	32	1	56-0480	Key - Woodruff	39	18	2
43-3160	Screw - Adjusting	40	44	1	56-1060	Snap Ring	42	15	1
43-4031	Cable - Battery Positive	9	62	1	56-1230	Shaft - Oil Filter	45	28	1
43-4031	Wire - Positive	4	1	1	56-1570	Bolt Set	51	8	1
43-5320	Pulley - PTO	8	17	1	56-1580	Armature Set	51	23	1
43-5920	Washer - Lock	34	39	1	56-1590	Bearing - Front	51	22	1
43-5930	Washer - Lock	32	14	12	56-1600	Bearing - Rear	51	21	1
43-5960	Nut - Special	40	46	1	56-1610	Bolt	51	16	1
43-5970	Nut - Hex.	34	40	1	56-1640	Stopper Set	51	13	1
43-6710	Shim Adjusting Differential	14	18	A/R	56-1670	Gear	51	10	1
43-6711	Shim Adjusting Differential	14	19	A/R	56-1680	Cover Set	51	9	1
43-6712	Shim Adjusting Differential	14	20	A/R	56-1700	Holder - Brush	51	18	1
43-6713	Shim Adjusting Differential	14	21	A/R	56-1710	Spring - Brush	51	19	4
43-6750	Cup - Bearing	15	31	1	56-1720	Bracket - Rear	51	17	1
43-6760	Cone - Bearing, Tapered	14	13	1	56-2460	Washer - Flat	28	36	A/R
43-6810	Torque Spider	16	5	2	57-6390	Nut - Hex.	34	42	2
43-8600	Spring - Compression	25	54	1	58-6320	Wiper - Seal	11	1	1
43-8610	Guide - Spring & Ball Seat	25	59	1	58-6400	Bushing	11	5	1
43-8620	Guide - Switch Pin	25	63	1	58-6420	Cap Assembly	11	8	1
43-8860	Plunger - Switch	25	60	1	58-6450	O-Ring	11	2	2
43-8870	Boot - Switch	25	65	1	58-6460	Ring - Retaining	11	9	1
43-9071	Switch - Seat	25	*	1	59-9740	Latch Assembly	2	47	1
44-2230	Coupling - Rubber	17	16	2	62-5550	Decal - TORO	2	37	1
44-8320	Spring	38	10	3	62-7020	Wheel & Tire Assy. (Opt.)	13	*	2
44-8530	Sock - Hose	5	47	1	62-7400	Decal - Toro	17	18	1
46-6550	Fitting - Fuel 90°	13	3	1	62-7650	Gasket	13	39	1
46-6560	Bushing	13	41	2	63-6020	Hose - Lower	12	21	1
46-6810	Screw - Cap Hex. Hd.	1	26	13	63-6030	Hub - Clutch	35	44	1
46-7310	Relief Valve Spring Imp.	19	26	1	63-6050	Clutch - Electric	35	40	1
46-7320	Plate - Pump Valve	19	17	1	63-6180	Brake Pedal Assembly LH	5	26	1
46-8091	Screw - Cap Hex. Hd.	2	43	2	63-6190	Brake Pedal Assembly RH	5	29	1
46-8810	Stop - Leaf Spring	21	9	1	63-6210	Pin - Brake	5	22	1
48-1800	Kit - Cylinder Block	19	16	2	63-6240	Belt - PTO	8	18	1
48-7700	Screw - Hex.	34	43	1	63-6250	Shaft - PTO Tension	35	34	1
48-7710	Screw - Cap, M8 x 20	32	39	4	63-6290	Pin - Tension	35	26	1
48-7730	Screw - Cap Hex. Hd.	28	39	4	63-6440	Shield - Radiator	12	27	1
48-7780	Screw - Cap Hex. Hd.	29	9	8	63-6610	Drive Shaft	17	17	1
48-7960	Nut	28	21	2	63-6630	Cylinder - Lift	10	31	2
48-8030	Washer - Flat	35	49	1	63-6690	Lever - Clutch Anchor	35	42	1
48-9220	Washer - Flat	29	10	8	63-6720	Lever - Idler	34	24	1
48-9460	Bolt - Hex. Hd.	30	35	4	63-6750	Link - Brake Cable	5	19	2
48-9460	Screw - Cap Hex. Hd.	17	20	2	63-6760	Swivel - Throttle Cable	34	14	1
48-9460	Screw - Cap, M8 x 25	32	28	20	63-6760	Throttle Cable Swivel Assy.	9	*	1
48-9470	Bolt - M10 x 30	31	43	24	63-6890	Plate - Hinge RH	2	*42	1
48-9470	Screw - Cap, M10 x 30	32	10	4	63-6900	Plate Hinge LH	1	10	1
48-9590	Washer - Lock	35	12	10	63-7030	Screen - Hood	1	3	1
48-9590	Washer - Lock	34	15	8	63-7141	Mount - Shock (Red)	8	8	1
49-7820	Variable Swashplate	19	13	1	63-7142	Mount - Shock (Yellow)	8	43	3
49-7830	Check Valve Assembly	19	22	2	63-7170	Anchor - Transmission	17	41	1
49-8200	Shaft - Motor	19	47	1	63-7300	Fender - RH	2	39	1
51-3150	Shim	21	24	1	63-7310	Fender LH	1	20	1
52-1321	Decal - Diesel Fuel Only	24	16	1	63-7320	Cover - Tower Rear	2	32	1
52-8890	Bracket - Mounting	21	16	2	63-7340	Wire - Ground	8	1	1

\*Not Illustrated

# TORO PART NUMBER INDEX (Cont.)

Part No.	Description	Pg. Ref. No. No. Qty.	Part No.	Description	Pg. Ref. No. No. Qty.
63-7340	Wire - Ground	4 2 1	66-3180	Tube - Vent	12 20 1
63-7340	Wire - Ground	34 49 1	66-3200	Tread - Foot Rest LH	1 29 1
63-7380	Expansion Tank Assembly	34 11 1	66-3210	Tread - Foot LH	1 30 1
63-7400	Washer - Rebound	8 42 4	66-3240	Cap - Radiator	12 6 1
63-7410	Bracket - Bulkhead	10 37 1	66-8110	Trim - Hood	1 8 1
63-7430	Gage - Temperature	3 15 1	66-8120	Standpipe	13 1 1
63-7440	Solenoid - Stop	35 1 1	66-8140	Hose	5 31 1
63-7590	Relay	24 47 2	66-8140	Hose - Hydraulic	20 11 1
63-7600	Hose - Fuel	12 23 1	66-8150	Hose - Hydraulic	20 6 1
63-7610	Hose	9 61 1	66-8150	Hose - Hydraulic	10 14 1
63-7620	Hose	24 19 1	66-8180	Hose - Hydraulic	20 5 1
63-7630	Hose	13 7 2	66-8180	Hose Assembly	12 10 1
63-7630	Hose	24 42 1	66-8190	Hose - Hydraulic	20 3 1
63-7640	Sender - Fuel	13 6 1	66-8190	Hose - Hydraulic	10 25 1
63-7700	Screen Assembly	12 1 1	66-8490	Hose - Hydraulic	20 10 1
63-7710	Magnetic Strip	12 2 1	66-8490	Hose Assembly	17 23 1
63-7730	Cable - Brake RH	5 16 1	66-8500	Hose	10 15 1
63-7731	Cable - Brake LH	5 * 1	66-8500	Hose - Hydraulic	20 8 1
63-7790	Screw	35 13 10	66-8500	Hose Assembly	12 30 1
63-7790	Screw	34 16 8	66-8620	Tube - Hydraulic	20 9 1
63-7880	Pin - Brake Latch	5 23 1	66-8620	Tube - Hydraulic	5 33 1
63-7900	Rack - Brake	5 15 1	66-8630	Tube - Hydraulic	20 7 1
63-7910	Rod - Brake Latch	5 9 1	66-8630	Tube - Hydraulic	5 32 1
63-7960	Lift Valve Assembly	11 * 1	66-8640	Hose - Hydraulic	20 4 1
63-7960	Valve - Lift	10 6 1	66-8640	Hose - Hydraulic	10 33 1
63-8050	Box - Control	2 40 1	66-8690	Lamp Harness	4 4 1
63-8090	Lower Housing Assembly	14 1 1	66-8700	Indicator - Glow	34 32 1
63-8140	Pulley	34 28 1	66-8750	Decal - Control Levers	25 56 1
63-8150	Key	35 41 1	66-8760	Decal - Tower LH	2 33 1
63-8230	Angle - Clutch Anchor	35 16 2	66-8770	Decal - Tower RH	2 * 1
63-8280	Head Assembly	8 12 1	66-8800	Relay	25 50 1
63-8290	Vent - Air	8 45 1	66-9970	Kit - Spring	6 * 1
63-8300	Element - Spin-On	8 13 1	66-9980	Kit - Seal	6 * 1
63-8310	Valve - Drain	8 40 1	66-9990	Kit - Needle Roller	6 * 1
63-8360	Key - Ignition	3 10 1	67-1631	Spacer	35 30 1
63-8410	Washer - Flat	9 70 4	67-1690	Fitting	25 68 2
63-9750	Mount	9 69 2	67-1710	Decal - Interlock	24 48 1
65-2740	Spacer	11 10 1	67-1720	Decal - Caution	1 27 2
65-2750	Plunger	11 11 1	67-1750	Bushing	28 2 2
65-2760	Spring	11 12 1	67-1800	Pivot Plate Assembly	35 37 1
65-2770	Washer	11 6 1	67-1900	Screw - Cap Hex. Hd.	17 43 1
65-2930	Plug Assembly	11 13 1	67-2200	Seal	42 4 4
65-2950	Spring	11 7 1	67-2210	Plug - Taper	45 36 3
65-5100	Handle - Hood	1 2 1	67-2230	Seal-Oil	45 14 1
66-2320	Mount - Engine	34 19 1	67-2250	Bolt	42 5 8
66-2330	Base - Battery	8 6 1	67-2260	Shaft-Idler	45 34 1
66-2360	Support - Muffler	35 6 2	67-2270	Case - Oil Seal	45 15 1
66-2440	Plate - Reservoir	34 10 1	67-2280	Gasket-Seal, Oil	45 13 1
66-2450	Bracket - Air Cleaner	25 74 1	67-2290	Cover	45 10 1
66-2451	Bracket - Air Cleaner	24 29 2	67-2300	Gasket	45 9 1
66-2460	Panel - Control	3 1 1	67-2310	Plate - Front	41 6 1
66-2470	Plate - Tower	2 41 1	67-2320	Gasket - Plate	41 7 1
66-2490	Clamp - Battery Retainer	8 5 1	67-2330	Bolt	44 3 2
66-2590	Pin - Seat Spring	24 43 1	67-2330	Bolt	45 16 6
66-2630	Latch - Seat	24 14 1	67-2330	Bolt	43 34 4
66-2670	Bracket - Throttle	9 57 1	67-2330	Bolt	43 49 2
66-2720	Lever - Lift	10 4 1	67-2340	Bolt W/Washer	41 3 3
66-2800	Rod - Seat Support	24 10 1	67-2340	Bolt W/Washer	45 11 2
66-2870	Cable - Hood Stop	35 8 1	67-2340	Bolt W/Washer	43 17 4
66-2870	Cable - Hood Stop	2 45 1	67-2350	Plug - Expansion	45 25 1
66-2900	Tie Rod End	35 20 1	67-2360	Bushing - Knock	45 26 2
66-2910	Bumper - Rubber	35 17 2	67-2370	Bushing - Knock	45 32 1
66-2920	Washer - Friction	9 53 2	67-2380	Bushing - Knock	45 27 3
66-2940	Gage - Fuel	3 6 1	67-2390	Plug - Taper	45 24 1
66-2950	Meter - Hour	3 14 1	67-2410	Bearing Set 0.25 mm US	42 * 1
66-2960	Cluster - Warning Light	3 5 1	67-2420	Bearing Set 0.50 mm US	42 * 1
66-3050	Strip - Magnetic	1 15 1	67-2430	Bracket - Starter	45 23 1
66-3060	Dipstick - Differential	13 36 1	67-2440	Bolt W/Washer	45 22 3
66-3100	Screw	35 29 1	67-2480	Gasket - Oil Pan	41 17 1
66-3110	Hyd. Fitting	17 9 2	67-2500	Plunger - Relief	41 25 1
66-3130	Fitting - Hydraulic Tee	10 12 1	67-2510	Spring - Relief	41 26 1
66-3160	Screw	35 48 1	67-2520	Plug	41 28 1
66-3170	Hose	12 35 1	67-2530	Gear - Inner	41 12 1

\*Not Illustrated

# TORO PART NUMBER INDEX (Cont.)

Part No.	Description	Pg. No.	Ref. No.	Qty.	Part No.	Description	Pg. No.	Ref. No.	Qty.
67-2540	Gear - Outer	41	11	1	67-3340	Shim 0.8 mm	45	*	1
67-2550	Housing - Oil Pump	41	10	1	67-3350	Shim 0.9 mm	45	*	1
67-2560	Bolt W/Washer	41	9	3	67-3360	Shim 1.0 mm	45	*	1
67-2570	Plug - Taper	43	19	1	67-3370	Bolt W/Washer	45	39	4
67-2570	Plug - Taper	41	29	1	67-3380	Nozzle & Holder Assembly	45	6	1
67-2580	Gasket - Case	41	2	1	67-3380	Nozzle and Holder Assembly	48	*	3
67-2590	Seal - Oil	41	23	1	67-3390	Gasket - Nozzle Holder	45	7	3
67-2600	Bolt	44	5	1	67-3400	Pipe Assy. No. 1	45	42	1
67-2600	Bolt	41	21	3	67-3410	Pipe Assy. No. 2	45	43	1
67-2610	Bolt	44	9	2	67-3420	Pipe Assy. No. 3	45	1	1
67-2610	Bolt	41	22	4	67-3430	Nut	45	2	3
67-2620	Bolt	41	24	1	67-3440	Gasket	45	4	3
67-2630	Seal - O-Ring	41	20	2	67-3460	Housing-Pump	47	9	1
67-2640	Cap	41	30	1	67-3480	Seal - O-Ring	47	4	3
67-2650	Oil Fill Cap Assembly	41	32	1	67-3490	Spring	47	5	3
67-2660	Seal - O-Ring	41	31	1	67-3500	Valve	47	7	3
67-2670	Hose - Breather	43	8	1	67-3520	Sleeve	47	10	3
67-2680	Hanger - Engine	43	16	2	67-3530	Seat - Spring Upper	47	11	3
67-2700	Guide - Valve	43	42	6	67-3540	Spring	47	12	3
67-2710	Cap - Sealing	43	41	3	67-3550	Seat - Spring Lower	47	13	3
67-2730	Bolt	43	43	8	67-3560	Plate - Shim 1.85 mm	47	14	1
67-2740	Bolt - Flange	43	15	3	67-3570	Plate - Shim 1.9 mm	47	*	1
67-2760	Gasket	43	14	1	67-3580	Plate - Shim 1.95 mm	47	*	1
67-2770	Nut - Cap	43	12	2	67-3590	Plate - Shim 2.0 mm	47	*	1
67-2780	Washer	43	13	2	67-3600	Plate - Shim 2.05 mm	47	*	1
67-2850	Connecting Rod Assembly	39	9	3	67-3610	Plate - Shim 2.1 mm	47	*	1
67-2860	Bolt	39	12	6	67-3620	Plate - Shim 2.15 mm	47	*	1
67-2890	Bearing Set 0.25 mm US	39	*	3	67-3630	Plate - Shim 2.2 mm	47	*	1
67-2900	Bearing Set 0.50 mm US	39	*	3	67-3640	Plate - Shim 2.25 mm	47	*	1
67-2910	Gear	39	7	1	67-3650	Plate - Shim 2.3 mm	47	*	1
67-2930	Pulley - Crankshaft	39	19	1	67-3660	Plate - Shim 2.35 mm	47	*	1
67-2940	Nut - Jam	39	22	1	67-3670	Plate - Shim 2.4 mm	47	*	1
67-2950	Washer	39	20	1	67-3680	Plate - Shim 2.45 mm	47	14	1
67-2960	Washer - Lock	39	21	1	67-3690	Plate - Shim 2.5 mm	47	*	1
67-2970	Flywheel Assembly	39	13	1	67-3700	Tappet	47	15	3
67-2980	Gear - Ring	39	15	1	67-3710	Screw - Air Bleed	47	24	1
67-2990	Bolt	39	14	4	67-3720	Washer	47	23	1
67-3000	Washer	42	10	2	67-3730	Screw	47	22	1
67-3010	Cam Shaft	42	7	1	67-3740	Holder-Delivery Valve	47	3	3
67-3020	Gear	42	12	1	67-3740	Nipple - Swivel	47	21	1
67-3030	Bearing	42	9	2	67-3750	Washer	47	20	2
67-3040	Plate	42	14	1	67-3760	Plate - Lock	47	2	3
67-3050	Bearing	42	22	1	67-3770	Screw W/Washer	47	1	3
67-3060	Shaft	42	21	1	67-3780	Rack	47	19	1
67-3070	Gear	42	17	1	67-3790	Screw	47	17	2
67-3080	Snap Ring	42	23	1	67-3800	Bracket - Wire Stop	47	18	1
67-3090	Gear Assembly	42	13	1	67-3810	Pin - Tappet Guide	47	16	3
67-3100	Retainer	39	32	6	67-3830	Washer 1.25 mm	47	31	1
67-3110	Spring	39	31	6	67-3840	Washer 1.3 mm	47	*	1
67-3120	Tappet	39	6	6	67-3850	Washer 1.35 mm	47	*	1
67-3130	Valve - Intake	39	28	3	67-3860	Washer 1.4 mm	47	*	1
67-3140	Valve - Exhaust	39	29	3	67-3870	Washer 1.45 mm	47	*	1
67-3150	Rod-Push	39	5	6	67-3870	Washer 1.45 mm	48	31	1
67-3160	Arm-Rocker	39	1	6	67-3880	Washer 1.5 mm	47	*	1
67-3170	Spring	39	40	2	67-3880	Washer 1.5 mm	48	*	1
67-3180	Cap	39	34	6	67-3890	Washer 1.55 mm	47	*	1
67-3190	Rocker Shaft Assembly	39	38	1	67-3890	Washer 1.55 mm	48	*	1
67-3200	Stay - Rocker	39	35	3	67-3900	Washer 1.6 mm	48	*	1
67-3210	Screw - Adjusting	39	4	6	67-3910	Washer 1.65 mm	48	*	1
67-3220	Pin	39	37	1	67-3920	Washer 1.7 mm	48	*	1
67-3230	Nut - Jam	39	2	6	67-3930	Spring	47	30	3
67-3240	Snap Ring	39	3	2	67-3940	Pin - Pressure	47	29	3
67-3250	Bolt-Rocker Stay	40	43	2	67-3950	Piece - Distance	47	28	3
67-3260	Washer	52	3	1	67-3960	Nozzle	47	27	3
67-3260	Washer	49	8	2	67-3970	Nut - Retaining	47	25	3
67-3260	Washer	50	8	2	67-3980	Gasket	47	26	3
67-3260	Washer	40	41	3	67-3990	Lever - Speed Control	49	1	1
67-3280	Shim 0.2 mm	45	38	1	67-3990	Lever - Speed Control	50	1	1
67-3290	Shim 0.3 mm	45	*	1	67-4000	Pin	49	2	2
67-3300	Shim 0.5 mm	45	*	1	67-4000	Pin	50	2	2
67-3310	Shim 0.4 mm	45	*	1	67-4010	Stopper	49	15	1
67-3320	Shim 0.6 mm	45	*	1	67-4010	Stopper	50	15	1
67-3330	Shim 0.7 mm	45	*	1	67-4030	Rod - Tie	49	23	1

\*Not Illustrated

# TORO PART NUMBER INDEX (Cont.)

Part No.	Description	Pg. No.	Ref. No.	Qty.	Part No.	Description	Pg. No.	Ref. No.	Qty.
67-4030	Rod - Tie	50	23	1	67-4760	Shaft Assembly	51	15	1
67-4040	Weight Assembly	49	13	1	67-4770	Pinion Set	51	14	1
67-4040	Weight Assembly	50	13	1	67-4780	Gear Set	51	12	1
67-4050	Shaft - Governor	49	19	1	67-4790	Shaft	51	11	1
67-4050	Shaft - Governor	50	19	1	67-4800	Yoke	51	20	1
67-4060	Lever - Governor	49	18	1	67-4810	Pulley Set	52	16	1
67-4060	Lever - Governor	50	18	1	67-4820	Bolt Set	52	20	1
67-4070	Shaft - Sliding	49	16	1	67-4830	Front Bracket Assembly	52	15	1
67-4070	Shaft - Sliding	50	16	1	67-4840	Screw Set	52	18	1
67-4080	Clip	49	24	1	67-4850	Bearing - Front	52	19	1
67-4080	Clip	50	24	1	67-4860	Rotor Assembly	52	7	1
67-4090	Lever - Tension	49	21	1	67-4870	Bearing - Rear	52	6	1
67-4090	Lever - Tension	50	21	1	67-4880	Stator	52	10	1
67-4110	Cover Assembly	49	*	1	67-4890	Rear Cover Assembly	52	9	1
67-4120	Pin - Grooved	49	35	1	67-4900	Terminal Set	52	11	1
67-4120	Pin - Grooved	50	35	1	67-4910	Regulator Assembly	52	12	1
67-4130	Cover - Governor	49	4	1	67-4920	Brush	52	13	2
67-4140	Lever - Stop	49	11	1	67-4930	Rectifier	52	8	1
67-4140	Lever - Stop	50	11	1	67-5040	Spring	49	20	1
67-4150	Lever - Stop	49	40	1	67-5040	Spring	50	20	1
67-4150	Lever - Stop	50	40	1	67-7050	Field Rotor Assembly	38	1	1
67-4160	Gasket	49	5	1	67-7060	Ring - Retaining	38	8	1
67-4160	Gasket	50	5	1	67-7070	Armature & Pulley Assembly	38	5	1
67-4170	Spring Set	49	*	1	67-7080	Collar - Bearing	38	6	1
67-4180	Nut	49	31	1	67-7090	Bearing - Pulley	38	7	1
67-4190	Spring - Torque	49	28	1	67-7100	Plate - Brake	38	11	1
67-4200	Nut - Special	49	30	1	67-7120	Fusible Link	4	5	1
67-4210	Case - Torque Spring	49	26	1	67-7140	Ground Wire	4	7	1
67-4220	Screw - Adjusting	49	29	1	67-7160	Fuse Block	24	1	1
67-4230	Stopper	49	27	1	67-7180	Wire - Seat	4	14	1
67-4270	Bolt	49	3	4	67-7190	Wire - Ground	4	15	1
67-4270	Bolt	50	3	4	68-5140	Steering Wheel Cap Assy.	5	7	1
67-4280	Bolt W/Washer	49	17	1	68-5370	Decal - Toro	5	40	1
67-4280	Bolt W/Washer	50	17	1	68-6824	Rear Axle Assembly	28	1	1
67-4290	Nut	49	34	4	68-7010	Flange	14	26	1
67-4290	Nut	50	34	1	68-7370	Wire - Glow	4	13	1
67-4310	Gasket	39	23	1	68-7380	Connector Assembly	4	12	1
67-4330	Oil Filter Assembly	45	40	1	68-9400	Nut - Hex.	35	5	4
67-4340	Screen Assembly	45	31	1	69-4780	Clamp - Gauge	3	18	1
67-4350	Switch - Oil Pressure	44	8	1	70-2560	Decal - Lube	28	16	1
67-4360	Pulley - Water Pump	44	1	1	70-7280	Wire - Seat	4	10	1
67-4380	Water Pump Assembly	44	6	1	70-7530	Spring - Compression	10	3	1
67-4390	Gasket - Water Pump	44	7	1	70-8530	Wire - Fuel Pump	46	46	1
67-4400	Bolt	43	1	2	70-8560	Retainer - Glow Plug	34	30	1
67-4400	Bolt	44	4	1	70-8700	Pipe - Fuel Return	45	3	1
67-4410	V-Belt	44	2	1	70-8720	Spring - Tie Rod	49	22	1
67-4420	Fitting - Water	43	46	1	70-8720	Spring - Tie Rod	50	22	1
67-4430	Gasket - Fitting	43	45	1	70-8760	Starter Assembly	51	1	1
67-4440	Thermostat	43	38	1	70-8770	Bracket - Front	51	3	1
67-4450	Fitting - Thermostat	43	32	1	70-8780	Bracket - Center	51	6	1
67-4460	Gasket - Switch	43	31	1	70-8870	Guide - Oil Level	45	8	1
67-4470	Bolt	43	33	1	70-8880	Dipstick	45	5	1
67-4480	Pipe - By-Pass	43	37	1	71-1520	Cap - Reservoir	34	44	1
67-4490	Gasket	43	30	1	71-2910	Angle - Engine Mount	34	17	1
67-4500	Switch - Thermo	43	29	1	71-3384	Hose	12	9	1
67-4510	Gauge Nut - Temperature	43	35	1	71-3500	Lever - Throttle	9	55	1
67-4550	Gasket - Intake Manifold	43	44	1	71-4330	Seal	15	48	1
67-4560	Manifold - Exhaust	43	24	1	71-4340	Washer	14	27	1
67-4570	Gasket - Exhaust Manifold	43	26	1	71-4350	Nut	15	47	1
67-4580	Bolt	43	22	2	71-4450	Bolt - Wheel	28	18	10
67-4590	Bolt	43	23	4	71-4530	Tie Rod Assembly	29	*	1
67-4610	Bolt W/Washer	51	2	2	71-4540	Washer	28	14	1
67-4620	Spacer	52	21	1	71-4570	Housing - Clutch	28	27	1
67-4630	Alternator Assembly	52	1	1	71-4580	Clutch - Roller	28	25	2
67-4640	Bolt	52	22	1	71-4590	Washer - Thrust	28	24	2
67-4660	Bolt - Flange	52	26	1	71-4690	Screw - Cap Hex. Hd.	28	22	2
67-4670	Nut	52	2	1	71-4750	Tube & Clamp Assembly	29	21	1
67-4680	Plug - Glow	43	39	3	71-4760	Seal - Rod	29	15	2
67-4690	Plate - Glow Plug	43	40	1	72-3410	Yoke - Flange	22	1	1
67-4700	Lamp - Glow	43	27	1	72-3420	Shaft - Yoke, Slip	22	3	1
67-4720	Lever	51	4	1	72-3440	Yoke - Shaft	22	6	1
67-4730	Spring Set	51	5	1	72-3450	Yoke - Flange, Split	23	6	1
67-4750	Switch	51	7	1	72-3560	Decal - 4wd	2	52	2

\*Not Illustrated

# TORO PART NUMBER INDEX (Cont.)

Part No.	Description	Pg. Ref. No. No. Qty.	Part No.	Description	Pg. Ref. No. No. Qty.
72-3570	Shim .094 - Diff. Adjust.	14 28 A/R	72-5650	Hub - Wheel	32 34 2
72-3571	Shim .096 - Diff. Adjust.	14 * A/R	72-5660	Washer - Shaft, Wheel	32 33 2
72-3572	Shim .098 - Diff. Adjust.	14 * A/R	72-5680	Spacer	32 19 2
72-3573	Shim .100 - Diff. Adjust.	14 * A/R	72-5720	Ring - Retaining	32 4 2
72-3574	Shim .102 - Diff. Adjust.	14 * A/R	72-5730	Seal - Oil	32 24 4
72-3575	Shim .104 - Diff. Adjust.	14 * A/R	72-5740	Seal - Oil	32 2 2
72-3576	Shim .106 - Diff. Adjust.	14 * A/R	72-5770	Nut - Castle	32 32 2
72-3577	Shim .108 - Diff. Adjust.	14 * A/R	72-5780	Key	32 36 2
72-3578	Shim .110 - Diff. Adjust.	14 * A/R	72-5790	Screw - Cap, M6 x 18	32 13 12
72-3580	Shim .112 - Diff. Adjust.	14 * A/R	72-5800	Bolt	30 1 8
72-3581	Shim .114 - Diff. Adjust.	14 * A/R	72-5810	Bolt	30 7 8
72-3582	Shim .116 - Diff. Adjust.	14 * A/R	72-5820	Plug	30 28 1
72-3583	Shim .118 - Diff. Adjust.	14 * A/R	72-5840	Gasket	30 27 1
72-3584	Shim .120 - Diff. Adjust.	14 * A/R	72-6140	Cover - Rear	52 27 1
72-3585	Shim .125 - Diff. Adjust.	14 * A/R	72-6950	Retainer - Oil Guide	46 44 1
72-3586	Shim .127 - Diff. Adjust.	14 * A/R	72-9390	Seat Belt Assembly	26 1 1
72-3587	Shim .129 - Diff. Adjust.	14 * A/R	72-9420	Vent Assembly	15 40 1
72-3588	Shim .131 - Diff. Adjust.	14 * A/R	74-0720	Tube - Manual	27 1 1
72-3590	Shim .133 - Diff. Adjust.	15 28 A/R	75-0560	Wheel - Steering	5 6 1
72-3591	Shim .135 - Diff. Adjust.	15 * A/R	75-4900	Bearing Set STD	42 3 1
72-3592	Shim .137 - Diff. Adjust.	15 * A/R	75-4910	Oil Pan Assembly	41 14 1
72-3593	Shim .139 - Diff. Adjust.	15 * A/R	75-4930	Cylinder Head Assembly	43 28 1
72-3594	Shim .141 - Diff. Adjust.	15 * A/R	75-4940	Brace - Alternator	52 23 1
72-3595	Shim .143 - Diff. Adjust.	15 * A/R	75-4970	Element	47 8 3
72-3596	Shim .145 - Diff. Adjust.	15 * A/R	75-4980	Lever - Governor Spring	49 7 1
72-3597	Shim .147 - Diff. Adjust.	15 * A/R	75-4980	Lever - Governor Spring	50 7 1
72-3598	Shim .149 - Diff. Adjust.	15 * A/R	75-4990	Spring - Governor	49 25 1
72-3600	Shim .151 - Diff. Adjust.	15 * A/R	75-4990	Spring - Governor	50 25 1
72-4320	Switch	25 57 1	75-5000	Body	48 35 3
72-4870	Case - Differential	30 24 1	75-5010	Bearing Set STD	39 8 3
72-4880	Cover	30 2 1	75-5020	Injector Pump Assembly	48 * 1
72-4890	O-Ring	30 3 1	75-5020	Injector Pump Assembly	45 41 1
72-4900	Case - Differential	30 8 1	75-5040	Gasket Kit	41 * 1
72-4910	Flange - Case	30 12 1	75-5050	Ring Set STD	39 11 3
72-4930	Gear - Side	30 9 1	75-5060	Ring Set 0.25 mm OS	39 * 3
72-4940	Gear - Side	30 40 1	75-5070	Ring Set 0.50 mm OS	39 * 3
72-4950	Gear - Pinion	30 10 2	75-5080	Piston & Pin Set STD	39 10 3
72-4960	Shim .1 mm	30 5 1	75-5090	Piston & Pin Set	39 * 3
72-4970	Shim .15 mm	30 * 1	75-5100	Piston & Pin Set	39 * 3
72-4980	Shim .5 mm	30 * 1	75-5110	Cover Assy.	39 24 1
72-4990	Shim .8 mm	30 * 1	75-5120	Gasket	40 45 1
72-5000	Shim 1.0 mm	30 * 1	75-6880	Spark Arrester Screen	35 * 1
72-5010	Shim 1.2 mm	30 * 1	76-1000	Cable - Throttle	9 59 1
72-5020	Shaft - Pinion	31 47 1	76-4690	Coupling - Axle	28 32 1
72-5030	Pin - Dowel	31 45 2	76-4790	Pad - Rubber	1 11 1
72-5040	Washer - Gear	30 11 1	76-4830	Rod - Tie	10 18 1
72-5050	Tube - Axle RH	30 16 1	76-8750	Plate - Warning	12 12 1
72-5060	Axle - RH	30 17 1	77-0550	Tube - Fill	15 44 1
72-5090	Gear - Bevel	32 18 2	80-3330	Gasket	25 87 1
72-5090	Gear - Bevel	30 21 2	82-2310	Radiator Assembly	12 26 1
72-5100	Spacer	30 20 2	82-5730	Rod End	33 15 1
72-5110	Tube - Axle LH	31 44 1	82-5740	Nut - Jam	33 14 1
72-5120	Axle - LH	31 41 1	82-8530	Fitting	17 26 1
72-5130	Vent	30 23 1	82-8950	Foam	2 51 2
72-5140	O-Ring	30 25 1	83-5180	Shim - Axle	29 23 A/R
72-5150	Plug	30 26 1	83-5330	Washer - Bearing	30 38 1
72-5160	Shim .1mm	30 29 1	83-5340	Nut - Bearing	30 37 1
72-5170	Shim .15 mm	30 * 1	83-5350	Case - Bearing	30 33 1
72-5180	Shim .5 mm	30 * 1	83-5360	Seal - Oil	30 36 1
72-5190	Shim .8 mm	30 * 1	83-5370	Ring & Pinion Assembly	31 * 1
72-5200	Shim 1.0 mm	30 * 1	83-9150	Decal - Starting Fluid	24 23 1
72-5210	Shim 1.2 mm	30 * 1	84-1870	Bracket	34 23 1
72-5360	Ring - Retaining	30 19 2	84-1880	Fan - Cooling	34 1 1
72-5370	Ring - Retaining	30 22 2	84-1890	Pulley - Fan	34 2 1
72-5440	Pin - Spring	31 46 1	84-1910	Muffler	35 3 1
72-5460	O-Ring	30 32 1	84-1930	Hub - Fan	34 3 1
72-5540	Case - Knuckle	32 30 2	84-1940	Hub	34 7 1
72-5550	Cover	32 26 2	84-1960	Decal - Service	1 18 1
72-5560	Pin - King, Knuckle	32 20 2	84-7580	Plate - Bushing Support	9 64 1
72-5570	Shaft - Axle, Outer	32 35 2	84-7660	Clamp - Column	5 44 1
72-5580	Gear - Bevel	32 5 4	84-7670	Foam - Column Support	5 43 2
72-5590	Retainer - Bearing	32 15 2	84-8600	Brake Shoe Set	16 16 1
72-5630	Gasket	32 16 2	85-4980	PTO Switch Assembly	3 3 1

\*Not Illustrated

# TORO PART NUMBER INDEX (Cont.)

Part No.	Description	Pg. Ref. No. No. Qty.	Part No.	Description	Pg. Ref. No. No. Qty.
85-7540	Wire Harness	4 3 1	92-5757	Radiator Support Assembly	12 5 1
85-7560	Plate - Control Panel	3 16 1	92-5759	Plate - Seat	24 9 1
86-7190	Upper Housing Assembly	14 22 1	92-5772	Decal Traction Pedal	2 38 1
86-7220	Gear - Spur	17 36 1	92-5773	Decal - Starting Instructions	25 79 1
86-7230	Gear - Spur	14 17 1	92-5784	Tube - Yoke, Slip	22 5 1
86-7470	Diode	4 6 1	92-6500	Frame Assembly	2 35 1
88-3590	Nut - Lock	33 12 1	92-6501	Tool Box Assembly	1 19 1
92-0845	Crankshaft	39 16 1	92-6502	Tool Box Cover Assembly	1 14 1
92-0846	Cover Assembly	43 6 1	92-6503	Fan Shroud Assembly	12 19 1
92-0847	Cap - Oil Filler	43 11 1	92-7308	Power Steering Valve Assy.	5 3 1
92-1676	Gear & Pinion Assembly	15 * 1	92-7310	Bolt - Special	6 36 4
92-1773	Screw - Cap Hex. Hd.	14 14 4	92-7314	Assembly - Column	6 * 1
92-1774	Oil Seal	16 2 2	92-7315	Seal	6 28 1
92-2377	Axle Assembly	13 34 1	92-7316	Nut - Pus On	6 38 4
92-4907	Assembly - Diff. Carrier	15 * 1	92-7317	Foam	6 39 1
92-5050	Pin - Rear Axle	28 8 1	92-7892	Bracket - Switch, Seat	25 51 1
92-5053	Frame - Rear	28 5 1	92-8751	Bracket - PTO Bearing	8 26 1
92-5061	Support - Cylinder	29 7 1	92-8775	Kit - Gasket, Liquid	16 * 1
92-5067	Arm - Steering LH	29 13 1	92-8797	Decal - Warning	1 17 1
92-5070	Arm - Steering RH	29 22 1	92-8799	Bearing	35 33 1
92-5072	Rod End Assembly	29 28 1	92-8799	PTO Shaft Bearing Assembly	8 23 1
92-5075	Shaft - Traction Pedal	7 22 1	92-8855	Shaft - PTO	8 20 1
92-5076	Adapter - Filter	17 45 1	92-8873	Tank - Fuel	13 40 1
92-5077	Bracket - Footrest	7 27 1	92-8876	Belt - Fan	34 29 1
92-5080	Hose - Hydraulic	29 1 1	92-8877	Seat Frame Assembly	25 55 1
92-5080	Hose - Hydraulic	20 12 1	92-8938	Tube - Yoke, Half-Slip	23 4 1
92-5080	Hose - Hydraulic	5 37 1	92-9786	Bracket - Carrier	13 31 2
92-5081	Hose - Hydraulic	29 2 1	92-9788	Pin - Pivot	13 25 2
92-5081	Hose - Hydraulic	20 13 1	93-1395	Plate - Skid	28 38 2
92-5081	Hose - Hydraulic	5 46 1	93-3102	Cap - Fuel	13 11 1
92-5082	Hose	17 35 2	93-3186	Decal - GM 223-D	1 5 2
92-5082	Hose - Hydraulic	20 1 2	93-3192	Decal - Hood RH	1 * 1
92-5083	Hose - Hydraulic	20 2 1	93-3193	Decal - Hood LH	1 7 1
92-5083	Hose - Hydraulic	15 41 1	93-3664	Seal - O-Ring	30 14 2
92-5083	Hose - Hydraulic	17 49 1	93-3665	Seal - O-Ring	30 15 2
92-5084	Driveshaft (Complete)	22 * 1	93-3666	Gear Box - Axle	32 23 2
92-5085	Union - Filter	17 32 1	93-3667	Case - Knuckle	32 38 2
92-5086	Fitting - Hydraulic 90°	17 47 1	93-3668	Washer - Thrust	32 21 2
92-5087	Seal - Filter Adapter	17 33 1	93-3669	Bearing - Needle	32 22 2
92-5088	Fitting - 45°	15 30 1	93-3670	Seal - O-Ring	32 1 4
92-5090	Stop - Rear Axle	28 12 1	93-3671	Pin - Dowel	32 7 4
92-5093	Bracket - Pivot	7 7 1	93-3672	Arm - Knuckle	32 8 2
92-5094	Arm - Traction	7 20 1	93-4133	Lip Seal	19 9 1
92-5511	Stop - Oscillation	29 20 1	93-6668	Decal - Battery Charging	9 82 1
92-5512	Fitting - Hydraulic Straight	18 52 2	93-6680	Decal - Diesel Fuel (Europe)	24 16 1
92-5513	Transmission	17 6 1	93-6681	Decal - Warning (Europe)	12 12 1
92-5514	Footrest	7 30 1	93-6697	Decal - Lube (Europe)	28 16 1
92-5515	Bracket - Tie Down	26 9 2	93-7252	Decal - CE (Europe)	2 61 1
92-5516	Bracket - R.O.P.S. RH	26 * 1	93-7275	Decal - Starting Fluid	24 23 1
92-5517	Bracket - R.O.P.S. LH	26 15 1	93-7276	Decal - Danger (Europe)	9 81 1
92-5518	Frame - R.O.P.S.	26 6 1	93-7801	Decal - Starting Instructions	25 79 1
92-5521	Strap - Tie Down	26 20 2	93-7804	Decal - Warning (Europe)	1 17 1
92-5529	Hydraulic Cylinder Assembly	29 6 1	93-7822	Decal - Refueling (Europe)	1 16 1
92-5532	Link	7 29 1	93-7823	Decal - Oil (Europe)	2 34 1
92-5534	Shaft - Traction Pedal	7 26 1	93-7830	Decal - Torque (Europe)	1 27 2
92-5536	Tube - Traction Control	17 1 1	93-7833	Decal - Control Levers	25 56 1
92-5536	Tube - Traction Control	7 15 1	93-7834	Decal Traction Pedal	2 38 1
92-5537	Pin - Pedal Pivot	7 8 1	93-7835	Panel - Control (Europe)	3 1 1
92-5540	Tread - Foot RH	2 31 1	93-7840	Decal - Radiator Cap	12 * 1
92-5545	Cover - Tower Front	2 36 1	93-7841	Decal - Caution (Europe)	24 48 1
92-5548	Shield - Pedal Stop	2 53 1	93-8473	Bracket - Latch, RH	2 * 1
92-5703	Piston	33 11 1	93-8474	Bracket - Latch, LH	2 63 1
92-5704	Rod	33 2 1	93-8742	Foot Pad - Brake (Europe)	5 28 2
92-5705	Cap - Threaded	33 1 1	93-9940	Hose - Upper	12 18 1
92-5706	Head - Cap	33 5 1	93-9949	Guard - Fan	37 7 1
92-5707	Seal Repair Kit	33 * 1	93-9990	Guard - Flywheel	37 3 1
92-5708	Screw - Set	33 17 1	93-9991	Bracket	35 10 1
92-5709	Housing	19 6 1	93-9991	Bracket - Clutch Anchor	37 1 1
92-5716	Center Section	19 39 1	93-9992	Screw - HH	37 6 1
92-5717	Plug - Pipe	19 40 1	93-9997	Guard - Flywheel	37 5 1
92-5721	Plate - Link	7 13 1	94-1257	Block Assembly	42 1 1
92-5750	Pad - Footrest	7 31 1	94-1258	Gasket - Cylinder Head	43 25 1
92-5753	Clamp - Hose	2 55 3	94-1259	Case	41 1 1

\*Not Illustrated

# TORO PART NUMBER INDEX (Cont.)

Part No.	Description	Pg. Ref. No. No.	Qty.	Part No.	Description	Pg. Ref. No. No.	Qty.		
94-2975	Shaft Seal	19	34	1	2412-108	Clamp	9	52	2
94-2976	Ring - Retaining	19	50	1	2412-108	Clamp - Hose	12	7	8
94-3307	Pad - Traction Pedal Front	7	1	1	2412-108	Clamp - Hose	24	41	4
94-3308	Pad - Traction Pedal Rear	7	3	1	2412-108	Hose Clamp	17	34	4
94-3309	Hose - Air Cleaner Inlet	24	21	1	2412-119	Clamp - Hose	17	48	1
94-3533	Cover Assembly - Intake	43	5	1	2412-119	Clamp - Hose	15	49	1
94-3558	Engine	34	18	1	2412-133	R-Clamp	27	2	2
94-3591	Pedal - Traction	7	2	1	2412-147	R-Clamp	13	9	1
94-3827	Spring - Return	49	41	1	251-8	Bearing - Ball	32	6	2
94-3827	Spring - Return	50	41	1	251-77	Collar - Locking	8	22	1
94-6934	Screw - Cap Hex. Hd.	16	21	8	251-77	Collar - Locking	36	55	1
94-6935	Nut - Lock, Top	16	12	8	251-259	Bearing - Ball	21	23	1
94-6936	Washer	16	23	8	251-263	Bearing - Ball	32	25	2
94-9432	Engine	34	18	1	251-344	Bearing - Ball	30	4	1
95-1821	Spring	5	12	1	251-345	Bearing - Ball	30	13	1
95-3074	Kit - 400 Hour Filter	18	*	1	251-347	Bearing - Ball	32	12	2
95-3074	Kit - 400 Hour Filter	25	*	1	251-348	Bearing - Ball	32	3	2
95-3074	Kit - 400 Hour Filter	46	*	1	251-349	Bearing - Ball	32	17	2
95-3074	Kit - 400 Hour Filter	9	*	1	251-350	Bearing - Ball	30	18	2
95-3347	Plug - Pipe, Square Hd.	32	37	2	253-155	Seal	28	28	2
95-9605	Bolt - Speed Set	50	33	1	254-65	Cone - Bearing	15	33	2
217-106	Wheel	28	19	2	254-66	Cup - Bearing	15	32	2
217-116	Rim - 23 x 10.5 x 12	13	*	1	254-90	Cup - Bearing	14	24	1
217-117	Rim - 23 x 8.5 x 12	13	19	2	254-91	Cone - Bearing	14	25	1
218-446	Nut - Hex.	3	9	1	254-108	Bearing - Tapered Roller	30	31	1
218-447	Washer - Lock	3	8	1	254-109	Bearing - Tapered Roller	30	39	1
218-461	Nut - Jam	25	64	2	256-42	Bushing	5	27	4
218-473	Boot - Switch	3	11	1	256-116	Bushing	7	11	2
218-497	Nut - Face	3	12	1	256-156	Bushing - Flange	7	10	2
218-573	Fuse 5.0A	4	9	2	256-219	Bushing	7	19	2
218-574	Fuse 7.5A	4	8	1	256-299	Bushing	35	36	2
218-576	Nut - Hex.	3	4	1	281-10	Plug - Socket, Hex.	32	27	2
218-579	Wire - Fuel Pump	46	47	1	282-27	Clevis	10	22	1
219-17	Bulb - Light	4	11	4	283-16	Pin - Clevis	10	19	1
231-95	Tire - 23 x 10.5 x 12	13	*	2	283-49	Pin - Clevis	24	8	2
231-101	Tire - 23 x 8.5 x 12	13	18	2	283-58	Pin - Clevis	5	17	4
231-122	Tire	28	17	2	283-58	Pin - Clevis	10	23	1
232-27	Stem - Valve	28	20	2	283-58	Pin - Clevis	2	44	1
232-27	Valve Stem w Cap	13	*	2	283-58	Pin - Clevis	36	52	1
232-27	Valve Stem w/Cap	13	21	2	284-3	Plug - Welch	28	30	1
233-17	Knob	5	8	1	285-17	Plug - Pipe	19	28	4
233-39	Knob	10	5	1	289-6	Nipple - Pipe	15	45	1
233-39	Knob	9	54	1	2810-1	Coupler	15	46	1
237-7	O-Ring	25	62	1	302-5	Fitting - Grease	28	26	1
237-21	Seal - O-Ring	29	3	2	302-5	Fitting - Grease	5	30	2
237-22	O-Ring	17	25	1	302-5	Fitting - Grease	35	32	1
237-22	O-Ring	10	28	2	302-33	Fitting - Grease 90°	28	9	1
237-22	O-Ring	5	38	2	302-40	Fitting - Grease	36	51	1
237-22	Seal - O-Ring	10	11	7	302-55	Fitting - Grease	29	17	3
237-30	O-Ring	5	36	2	302-58	Fitting - Grease	22	4	1
237-30	O-Ring	25	58	1	302-58	Fitting - Grease	23	5	1
237-42	O-Ring	17	7	4	302-58	Fitting - Grease	8	30	1
237-65	Seal - O-Ring	10	9	5	302-59	Plug - Grease	28	3	1
237-78	Seal - O-Ring	29	5	2	304-46	Drain Cock	12	28	1
237-78	Seal - O-Ring	18	51	3	304-46	Fitting - Drain	13	37	1
237-79	Seal - O-Ring	17	46	2	304-99	Fitting - Hydraulic 90°	10	27	2
237-136	Grommet	13	12	3	321-3	Screw - Cap Hex. Hd.	1	4	7
242-34	Stud - Axle Flange	16	9	10	321-3	Screw - Cap Hex. Hd.	35	14	2
2411-36	End - Rod	7	18	1	321-3	Screw - Cap Hex. Hd.	5	21	1
2411-45	Rod End	29	16	2	321-3	Screw - Cap Hex. Hd.	34	37	4
2412-4	R-Clamp	17	40	1	321-3	Screw - HH	37	2	2
2412-34	Clamp - Hose	12	17	4	321-4	Screw - Cap Hex. Hd.	8	9	4
2412-34	Clamp - Hose	15	42	2	321-4	Screw - Cap Hex. Hd.	24	12	4
2412-36	Clamp	5	34	2	321-4	Screw - Cap Hex. Hd.	12	16	4
2412-36	Clamp	13	38	1	321-4	Screw - Cap Hex. Hd.	21	21	2
2412-36	Clamp - Hose	10	13	3	321-4	Screw - Cap Hex. Hd.	34	35	1
2412-42	Clamp - Hose	24	22	1	321-4	Screw - Cap Hex. Hd.	10	38	2
2412-74	R-Clamp	25	52	1	321-4	Screw - Cap Hex. Hd.	2	54	2
2412-92	Clamp - Hose	25	73	1	321-5	Screw - Cap Hex. Hd.	13	16	3
2412-103	Clamp - R	12	22	2	321-6	Screw - Cap Hex. Hd.	25	69	1
2412-104	R-Clamp	9	73	1	321-8	Screw - Cap Hex. Hd.	24	38	2
2412-107	R-Clamp	25	71	1	321-9	Screw - Cap Hex. Hd.	21	3	2
2412-108	Clamp	13	2	4	321-11	Screw - Cap Hex. Hd.	10	16	2

\*Not Illustrated

# TORO PART NUMBER INDEX (Cont.)

Part No.	Description	Pg. Ref. No. No. Qty.	Part No.	Description	Pg. Ref. No. No. Qty.
322-3	Screw - Cap Hex. Hd.	13 8 1	3234-13	Screw - Flange Hd.	1 24 8
322-3	Screw - Cap Hex. Hd.	8 37 1	3234-13	Screw - Flange Hd.	9 74 1
322-3	Screw - Cap Hex. Hd.	25 72 4	3234-14	Screw - Flange Hd.	1 21 8
322-4	Screw	34 6 2	3234-17	Screw - Flange Hd.	12 4 2
322-5	Screw - Cap Hex. Hd.	27 3 2	3234-17	Screw - Flange Hd.	24 15 2
322-5	Screw - Cap Hex. Hd.	5 4 2	3234-25	Screw - Flange	28 4 4
322-5	Screw - Cap Hex. Hd.	24 32 5	3234-29	Screw - Cap Hex. Flange Hd.	35 7 1
322-5	Screw - Cap Hex. Hd.	8 39 12	3241-6	Screw - Set	17 13 2
322-5	Screw - Cap Hex. Hd.	2 56 3	3245-35	Screw - Set	8 21 1
322-6	Screw - Cap Hex. Hd.	36 50 1	3245-35	Screw - Set	36 56 1
322-7	Screw - Cap Hex. Hd.	9 83 3	3249-3	Screw - Round Hd.	12 36 2
322-8	Screw - Cap Hex. Hd.	28 35 2	3249-11	Screw - Round Hd.	21 8 2
322-9	Screw - Cap Hex. Hd.	8 34 4	3250-39	Screw - Pan Head	35 18 2
322-11	Screw - Cap Hex. Hd.	34 21 1	3253-3	Washer - Lock	10 8 2
322-13	Screw - Cap Hex. Hd.	24 5 4	3253-3	Washer - Lock	22 8 6
322-14	Screw - Cap Hex. Hd.	26 14 2	3253-3	Washer - Lock	8 10 4
322-14	Screw - Cap Hex. Hd.	25 85 2	3253-3	Washer - Lock	24 13 2
322-17	Screw - Cap Hex. Hd.	21 18 1	3253-3	Washer - Lock	13 15 5
323-6	Screw - Cap Hex. Hd.	34 25 1	3253-3	Washer - Lock	28 33 6
323-6	Screw - Cap Hex. Hd.	2 64 4	3253-3	Washer - Lock	34 36 5
323-8	Screw - Cap Hex. Hd.	34 26 1	3253-4	Washer - Lock	26 13 2
323-8	Screw - Cap Hex. Hd.	19 29 2	3253-4	Washer - Lock	9 76 4
323-9	Screw - Cap Hex. Hd.	23 2 2	3253-4	Washer - Lock	25 84 2
323-9	Screw - Cap Hex. Hd.	8 3 2	3253-6	Washer - Lock	26 3 2
323-9	Screw - Cap Hex. Hd.	7 17 1	3253-7	Washer - Lock	26 16 6
323-9	Screw - Cap, Hex. Hd.	29 18 2	3253-8	Washer - Lock	13 13 4
323-10	Screw - Cap Hex. Hd.	8 27 2	3253-15	Washer - Lock	13 5 5
323-10	Screw - Cap Hex. Hd.	19 43 4	3253-21	Washer - Lock	8 15 3
323-11	Screw - Cap Hex. Hd.	8 41 3	3253-21	Washer - Lock	17 31 4
323-18	Screw - Cap Hex. Hd.	8 14 1	3254-2	Washer - Lock, Int. Tooth	34 48 1
323-34	Screw - Cap Hex. Hd.	35 43 1	3254-9	Washer - Lock, Int. Tooth	21 10 2
323-39	Screw - Cap Hex. Hd.	17 28 3	3255-8	Washer - Lock, Ext. Tooth	14 3 8
324-4	Screw - Cap Hex. Hd.	26 10 4	3255-8	Washer - Lock, Ext. Tooth	1 12 4
324-5	Screw - Cap Hex. Hd.	13 27 4	3255-8	Washer - Lock, Ext. Tooth	24 39 1
324-23	Screw - Cap Hex. Hd.	19 35 2	3255-8	Washer - Lock, Ext. Tooth	8 46 1
325-5	Screw - Cap Hex. Hd.	26 7 4	3256-1	Washer - Flat	3 21 4
325-5	Screw - Cap Hex. Hd.	28 7 2	3256-22	Washer - Flat	10 7 2
325-9	Screw - Cap Hex. Hd.	26 17 4	3256-22	Washer - Flat	12 15 4
325-14	Screw - Cap Hex. Hd.	26 5 2	3256-22	Washer - Flat	24 18 9
325-23	Screw - Cap Hex. Hd.	28 11 1	3256-22	Washer - Flat	5 35 3
3210-5	Screw - Cap Hex. Hd.	17 12 4	3256-23	Washer - Flat	10 1 1
3210-7	Screw - Cap Hex. Hd.	21 4 1	3256-23	Washer - Flat	5 1 4
3210-7	Screw - Cap Hex. Hd.	14 23 8	3256-23	Washer - Flat	24 3 6
3210-7	Screw - Cap Hex. Hd.	29 29 1	3256-23	Washer - Flat	27 4 2
3210-8	Screw - Cap Hex. Hd.	17 24 2	3256-23	Washer - Flat	26 12 2
3212-4	Screw - Cap Hex. Hd.	26 4 2	3256-23	Washer - Flat	21 19 2
3212-5	Screw	35 25 1	3256-23	Washer - Flat	35 19 4
3215-3	Screw	29 19 6	3256-23	Washer - Flat	34 20 1
3216-3	Screw - Cap Hex. Hd.	10 32 2	3256-23	Washer - Flat	28 40 4
3217-5	Nut - Hex.	34 47 1	3256-23	Washer - Flat	5 42 2
3217-9	Nut - Lock	26 18 4	3256-24	Washer - Flat	8 4 4
3217-16	Nut - Hex.	21 11 2	3256-24	Washer - Flat	24 7 1
3217-29	Nut - Hex.	12 37 2	3256-24	Washer - Flat	7 12 5
3218-3	Nut - Jam	17 42 2	3256-24	Washer - Flat	35 22 2
3219-2	Nut	14 2 8	3256-24	Washer - Flat	34 27 1
3219-2	Nut - Hex.	21 6 1	3256-24	Washer - Flat	17 44 1
3219-6	Nut - Hex.	13 32 4	3256-25	Washer - Flat	26 2 2
3220-2	Nut - Jam	35 21 1	3256-25	Washer - Flat	13 26 4
3220-2	Nut - Jam RH	10 21 1	3256-26	Washer - Flat	10 2 2
3220-3	Nut - Jam	7 16 1	3256-26	Washer - Flat	17 2 1
3220-5	Nut - Jam	29 25 1	3256-26	Washer - Flat	26 8 6
3220-6	Nut	6 27 1	3256-26	Washer - Flat	5 14 1
3220-6	Nut - Hex.	5 5 1	3256-27	Washer - Flat	24 45 1
3220-7	Nut - Jam	17 50 1	3256-67	Washer - Flat	13 14 3
3220-11	Nut - Jam	29 8 4	3256-69	Washer - Flat	5 45 A/R
3230-2	Bolt - Carriage	34 13 1	3256-69	Washer - Flat	25 77 1
3230-2	Bolt - Carriage	7 25 2	3256-71	Washer - Flat	17 21 4
3230-2	Carriage - Bolt	21 12 2	3257-5	Key - Woodruff	19 11 2
3230-4	Bolt - Carriage	35 35 2	3257-5	Key - Woodruff	8 19 1
3230-4	Bolt - Carriage	9 67 2	3258-19	Screw - Cap Hex. Hd.	24 30 2
3230-23	Bolt - Carriage	34 9 2	3269-10	Washer - Flat	12 29 3
3230-23	Bolt - Carriage	1 28 4	3269-13	Rivet	12 31 3
3234-5	Screw - Flange Hd.	12 8 8	3272-4	Pin - Cotter	25 75 2

\*Not Illustrated

# TORO PART NUMBER INDEX (Cont.)

Part No.	Description	Pg. No.	Ref. No.	Qty.	Part No.	Description	Pg. No.	Ref. No.	Qty.
3272-5	Pin - Cotter	5	13	3	32121-15	Pin - Roll	15	34	1
3272-5	Pin - Cotter	10	20	1	32121-32	Pin - Roll	35	39	1
3272-6	Pin - Cotter	7	14	3	32121-34	Pin - Roll	23	1	1
3272-10	Pin - Cotter	17	4	1	32121-34	Pin - Roll	28	29	1
3272-10	Pin - Cotter	7	9	4	32121-34	Pin - Roll	8	33	1
3272-10	Pin - Cotter	5	18	5	32121-44	Pin - Roll	33	16	1
3272-10	Pin - Cotter	10	39	1	32121-49	pin - Spring	13	23	2
3272-10	Pin - Cotter	2	46	1	32121-50	Pin - Roll	5	24	1
3272-10	Pin - Cotter	36	53	1	32121-71	Pin - Spring.	13	22	2
3272-11	Pin - Cotter	24	6	2	32121-91	Pin	19	14	3
3272-11	Pin - Cotter	29	11	2	32122-24	Screw - Machine	13	4	5
3272-15	Pin - Cotter	8	7	1	32128-20	Nut - Flange	34	8	3
3272-17	Pin - Cotter	32	31	2	32128-20	Nut - Flange	1	25	4
3272-17	Pin - Cotter	13	33	2	32128-20	Nut - Flange	24	26	9
3272-23	Pin - Cotter	10	29	4	32128-20	Nut - Flange	9	72	4
3273-38	Screw - Hex Socket Hd.	13	35	4	32128-20	Nut - Lock	12	3	6
3274-32	Screw - Hex. Hd. Socket	1	13	4	32128-20	Nut - Lock	13	10	1
3274-64	Screw - Cap Hex. Hd.	28	34	6	32128-23	Nut - Flange Lock	26	11	4
3274-64	Screw - Cap, Soc. Hd.	22	7	6	32128-25	Nut - Lock	36	54	1
3274-65	Screw - Socket Button Hd.	3	2	4	32128-33	Nut - Flange	1	6	13
3290-55	Rivet	12	13	2	32128-33	Nut - Flange Hd.	9	78	1
3290-255	Pin - Hair, Cotter	24	11	1	32128-33	Nut - Hex. Flange	25	76	3
3290-271	Rivet	2	48	4	32128-44	Nut - Flange Lock	7	28	2
3290-359	Screw - Machine	1	9	4	32128-44	Nut - Flange Lock	2	57	3
3290-378	Tie - Cable	25	61	1	32128-49	Nut - Flange	7	23	2
3290-378	Tie - Cable	9	75	1	32128-50	Pin - Roll	7	32	1
3296-4	Nut - Lock	29	26	1	32128-56	Nut - Flange	7	24	2
3296-6	Nut - Lock	38	9	3	32136-13	Nut - Slotted	29	12	2
3296-9	Nut - Lock	35	15	2	32144-1	Screw - Hex. Hd.	3	20	2
3296-12	Nut - Hex.	2	49	4	32144-14	Screw - Cap Hex. Hd.	28	10	1
3296-12	Nut - Lock	3	19	1	32144-21	Screw - Pan Hd. Phillips	5	41	1
3296-12	Nut - Lock	24	49	4	32148-6	Nut - Clinch	25	78	6
3296-15	Nut - Lock	10	24	2	32148-7	Nut - Clinch	2	59	22
3296-20	Nut - Lock	5	2	4	32148-8	Nut - Clinch	9	80	4
3296-25	Nut - Lock	28	6	2	32148-9	Nut - Clinch	2	58	3
3296-29	Nut - Lock	35	9	1	32148-9	Nut - Clinch	25	86	2
3296-29	Nut - Lock	5	10	2	32148-10	Nut - Clinch	2	60	10
3296-29	Nut - Lock	34	12	3	32148-11	Nut - Clinch	10	41	2
3296-29	Nut - Lock	21	20	3	32148-11	Nut - Clinch	9	77	2
3296-29	Nut - Lock	8	25	12	32149-1	Nut - Keps	35	31	2
3296-29	Nut - Lock	28	31	2	32149-1	Nut - Lock	9	65	2
3296-29	Nut - Lock	10	40	1	32149-7	Nut - Keps	34	46	2
3296-39	Nut - Lock	29	14	2	32151-46	Ring - Retaining	19	1	2
3296-39	Nut - Lock	7	21	1	32151-83	Snap Ring	35	47	2
3296-39	Nut - Lock	34	22	2	32151-87	Ring - Retaining	28	23	1
3296-39	Nut - Lock	8	24	7	32152-5	Nut - Lock	17	14	6
3296-39	Nut - Lock	17	39	2	32153-2	Nut - Lock	23	7	2
3296-42	Nut - Lock	21	1	4	32153-2	Nut - Lock (Europe)	2	62	4
3296-42	Nut - Lock	24	4	3	340-2	Fitting - Hydraulic Straight	10	10	1
3296-42	Nut - Lock	37	4	2	340-70	Nut - Fitting	10	35	1
3296-42	Nut - Lock	12	11	4	340-71	Fitting - Hydraulic Bulkhead	10	36	1
3296-42	Nut - Lock	35	11	2	340-77	Fitting - Hydraulic 90°	10	*	1
3296-42	Nut - Lock	5	25	1	340-77	Fitting - Hydraulic 90°	10	17	2
3296-42	Nut - Lock	10	34	2	340-86	Fitting - Hydraulic Tee	10	26	1
3296-45	Nut - Lock	28	13	1	340-132	Fitting - Hydraulic 90°	29	4	2
3296-48	Nut - Lock	13	17	4	353-508	Plug Assembly	11	14	1
3296-48	Nut - Lock	26	19	4	353-781	Fitting 90°	8	11	1
3296-51	Nut - Lock	28	15	1	353-783	Fitting - Straight	8	44	1
3296-59	Nut - Lock	35	23	1	353-979	Hose Barb	17	8	1
32105-1	Screw	3	17	1	353-988	Plug - Hydraulic	18	55	1
32105-8	Screw	34	45	2	353-990	Plug - Hydraulic	18	56	1
32105-13	Screw - Cap Hex. Hd.	24	2	4	354-20	Block	12	32	1
32107-11	Nut - Square	24	28	2	354-21	Fitting - Fuel	12	34	1
32120-10	Ring - Retaining	34	4	1	354-22	Fitting - Fuel	12	33	2
32121-6	Pin - Roll	7	4	1	354-71	Pipe Nipple	15	43	1
32121-6	Pin - Roll	24	46	1					

\*Not Illustrated

## PRODUCT CHANGES

In an effort to make improvements available to TORO owners as quickly as possible, minor changes are incorporated into Toro's products from time to time that do not become immediately shown in the Parts Catalog. If such a change has been made in your unit, which is not reflected in your manual, see your TORO Distributor or his Authorized TORO Service Dealer for information and part numbers.

## IDENTIFICATION AND ORDERING

### MODEL AND SERIAL NUMBERS

The Groundsmaster 223D has two identification numbers; a model number and a serial number. The two numbers are stamped on a plate which is located on the main frame under the seat. In any correspondence concerning the Groundsmaster 223D, supply model and serial numbers to assure that correct information and replacement parts are obtained.

To order replacement parts from an Authorized TORO Service Dealer, supply the following information:

1. Model and serial number of the Groundsmaster 223D.
2. Part number, description, and the quantity of part(s) desired.

**NOTE:** Do not order by reference number if a parts catalog is being used; use the PART NUMBER.

# TABLE OF CONTENTS

Description	Page	Description	Page
Body Assembly .....	1–2	Manual Storage .....	27
Control Panel Assembly .....	3	Rear Axle Installation Assembly .....	28
Electrical Schematic .....	4	Steering Linkage Assembly .....	29
Power Steering & Brake Pedal Assembly .....	5	Rear Axle Assembly No. 68–6824 .....	30–32
Steering Valve Assembly No. 92–7308 .....	6	Hydraulic Steering Cylinder No. 92–5529 .....	33
Traction Pedal Assembly .....	7	Engine Assembly .....	34
Power Take Off, Battery & Engine Mount .....	8–9	Power Take–Off Assembly .....	35–36
Hydraulic Lift System Assembly .....	10	CE Engine Component Assembly (Europe) .....	37
Lift Valve Assembly No. 63–7960 .....	11	Clutch Assembly No. 63–6050 .....	38
Radiator Assembly .....	12	Valves & Crankshaft Assembly .....	39–40
Fuel Tank and Axle Assembly .....	13	Crankcase Assembly .....	41
Front Axle Assembly No. 92–2377 .....	14–15	Camshaft Assembly .....	42
Brake Assembly .....	16	Cylinder Head Assembly .....	43
Transmission & Drive Coupling Assembly ...	17–18	Water Pump Assembly .....	44
Transmission Assembly No. 92–5513 .....	19	Fuel Supply & Engine Block Assembly .....	45–46
Hydraulic Schematic .....	20	Fuel Injection Pump Assembly .....	47–48
Transmission Interlock Assembly .....	21	Governor Assembly .....	49–50
Drive Shaft Assembly No. 92–5084 .....	22	Starter Assembly .....	51
Full Time 4WD Drive Shaft Assy. No.92–9075 .....	23	Alternator Assembly .....	52
Seat Frame & Air Cleaner Assembly .....	24–25	TORO Part Number Index .....	53–62
R.O.P.S. Assembly .....	26		

