



**Count on it.**

**Parts Catalog**

**Groundsmaster® 4700-D**

**Model No. 30868—Serial No. 250000001 and Up**

# Ordering Replacement Parts

To order replacement parts, please supply the part number, the quantity, and the description of each part desired.

## Understanding Reference Numbers

Each identified part in an illustration has a reference number. The reference number for a part also appears in the parts list, along with other information about the part.

This catalog uses two special reference number formats, one to indicate parts in a service assembly and another to indicate the quantity of a given part in an illustration.

## Service Assembly Reference Numbers

Parts in service assemblies have reference numbers in the form a:b. The a represents the reference number of the entire service assembly and the b represents a sequential number unique to each part within the service assembly.

For example, a wheel assembly might be identified by reference number 6, the tire by 6:1, the valve by 6:2, and the wheel by 6:3. When you order the assembly identified by reference number 6, you receive all parts identified by reference numbers 6:1, 6:2, and 6:3. However, you may also order any part individually. Reference numbers of this type appear in illustration and in parts lists.

## Reference Numbers Indicating Quantity

In an illustration, if a reference number indicates more than one part, the reference number has the form nX y. The n represents the quantity of the part, the X is the multiplication symbol, and the y represents the reference number.

For example, in an illustration, the reference number 2X 37 means that two of the parts identified by reference number 37 are indicated.

# List of Abbreviations

**AR:** as required

**ASM:** assembly

**BBC:** blade brake control

**BHTF:** button head thread forming

**CARR:** carriage

**CCW:** counter clockwise

**CW:** clockwise

**DEG:** degrees

**DPA:** Dual Point Adjustment

**ECM:** electronic control module

**EXT:** external

**FH:** flat head

**GA:** gauge

**HD:** heavy-duty

**HF:** hex flange

**HH:** hex head

**HHF:** hex head flange

**HHFTF:** hex head flange thread forming

**HJ:** hex jam

**HLH:** hex lag head

**HOC:** height-of-cut

**HSBH:** hex socket button head

**HSFH:** hex socket flat head

**HSH:** hex socket head

**HWH:** hex washer head

**HWHTF:** hex washer head thread forming

**HYD:** hydraulic

**LH:** left hand

**LP:** Liquid Propane

**NI:** nylon insert

**NPTF:** national pipe thread fine

**PFH:** phillips flat head

**PPH:** phillips pan head

**PPHTF:** phillips pan head thread forming

**PRH:** phillips round head

**PTH:** phillips truss head

**PTO:** power-take-off

**RH:** right hand

**ROPS:** roll-over protection system

**RRB:** rear roller brush

**SFH:** slotted fillister head

**SHH:** slotted hex head

**SHWH:** slotted hex washer head

**SPH:** slotted pan head

**SQH:** square head

**SRH:** slotted round head

**STD:** standard

**TAP:** self tapping

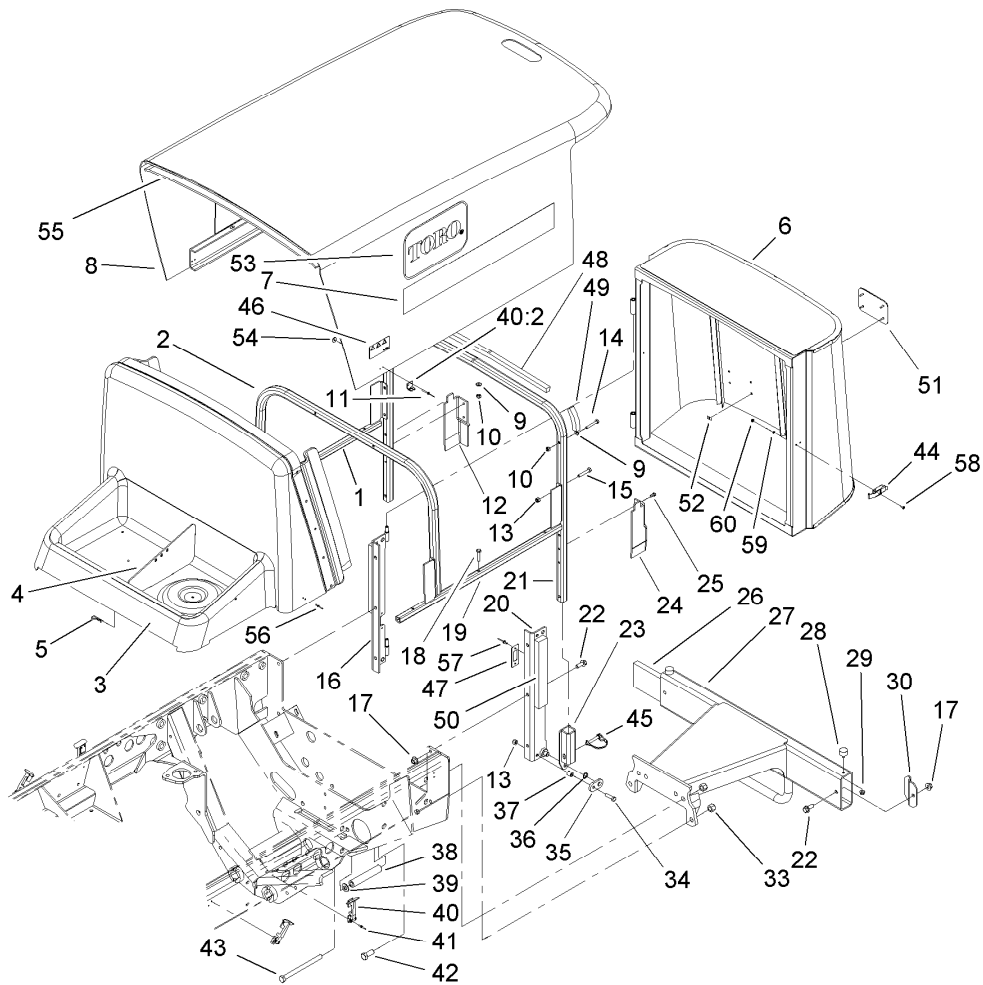
**TTH:** torx truss head

# Contents

Hood, Screen and Bumper Assembly	5
Steering Tower Assembly	7
Steering Control Assembly No. 114-5074	8
Traction and Brake Pedal Assembly	9
Throttle and Seat Frame Assembly	10
Control Console Assembly	11
Hydraulic Filter and Reservoir Assembly	12
Fuel Tank and Filter Assembly	13
Front Drive and Brake Assembly	14
Planetary Assembly No. 105-4500-03	15
Brake Assembly No. 100-3070-03	16
Piston Motor Assembly No. 105-1218	17
Brake Assembly No. 100-3069-03	18
Manifold Mounting and Fitting Assembly	19
Hydraulic Pump Assembly	20
Triple Pump Assembly No. 105-9845	21
Piston Pump Assembly No. 105-9846	22
Control Assembly No. 93-6306	24
Radiator Assembly	25
Fan and Solenoid Assembly	26
Engine Installation Assembly	27
Air Cleaner Assembly No. 99-5410	28
Rear Axle Assembly	29
Hydraulic Cylinder Assembly No. 107-1976	30
Piston Motor Assembly No. 105-1219	31
Bevel Pinion Shaft Assembly Rear Axle Assembly No. 100-3784	32
Differential Assembly No. 95-7503 Rear Axle Assembly No. 100-3784	33
Axle Support Assembly Rear Axle Assembly No. 100-3784	34
Bevel Gear Case Assembly Rear Axle Assembly No. 100-3784	35
Bevel Gear Shaft Assembly Rear Axle Assembly No. 100-3784	36
Axle Case Assembly Rear Axle Assembly No. 100-3784	37
Axle Assembly Rear Axle Assembly No. 100-3784	38
Coupler Spacer and Adapter Plate Assembly	39
Battery Installation Assembly	40
Water / Fuel Filter Assembly No. 98-9305	41
Front Lift Arm Assembly	42
Hydraulic Cylinder Assembly No. 107-1979	43
Hydraulic Cylinder Assembly No. 107-1980	44
Lift Lever Assembly	45
No. 2 and 3 Lift Arm Assembly	46
Hydraulic Cylinder Assembly No. 107-1978	47
No. 2 and 3 Hose Installation Assembly	48
No. 1, 4 and 5 Hose Installation Assembly	49
Hydraulic Motor Assembly No. 105-9872	50
No. 6 and 7 Hose Installation Assembly	51
No. 6 and 7 Lift Arm Assembly	52
Hydraulic Cylinder Assembly No. 107-1981	54
Roll-Over Protection System and Frame Assembly	55
Front Frame Assembly No. 108-6051	56
Roller Support and Access Panel Assembly	57
Cutting Manifold Assembly	58
Manifold Assembly No. 104-5477	59
4 Wheel Drive Manifold and Filter Assembly	60
Filter Manifold Assembly No. 100-5558	61

# Contents (continued)

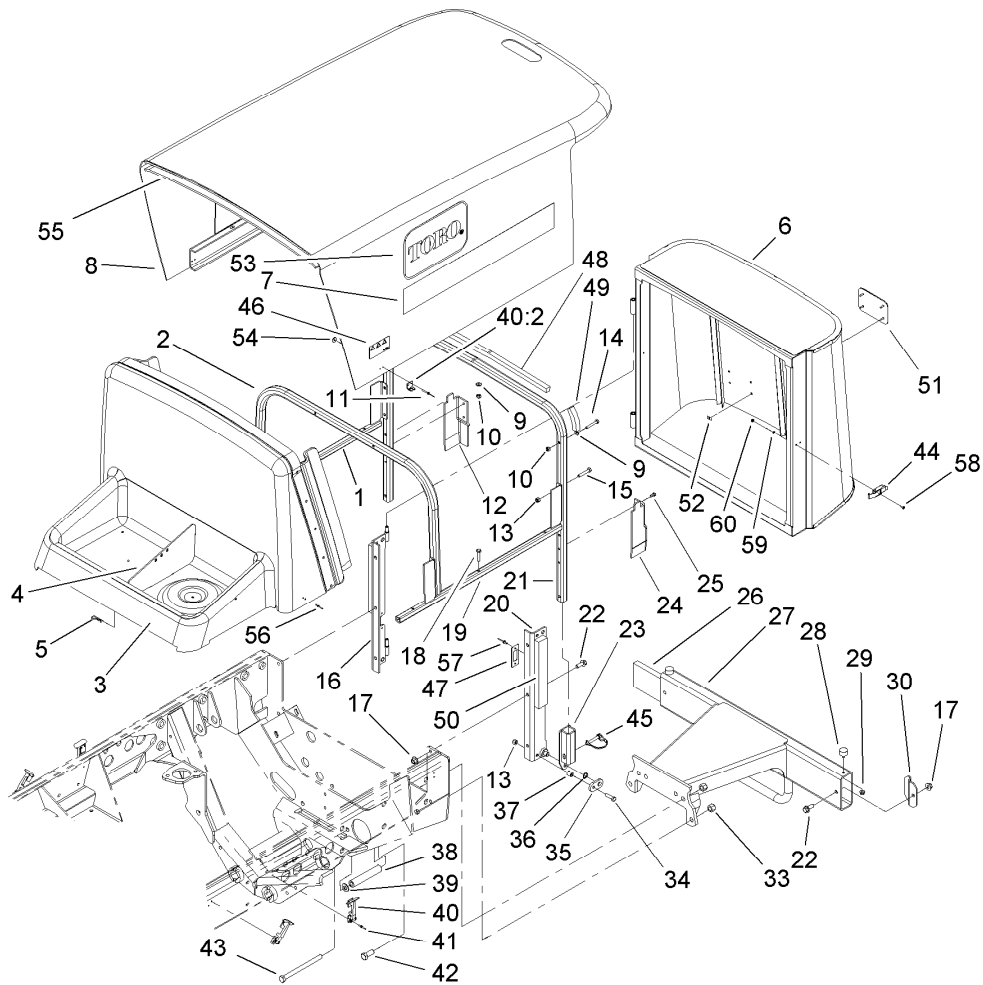
4 Wheel Drive Manifold Assembly No. 105-9875 .....	62
Traction Hydraulic Line Assembly .....	63
Hydraulic Mow Line Assembly .....	64
Hydraulic Steering Line Assembly .....	65
Hydraulic Lift Line Assembly .....	66
Lift Valve and Counter Balance Assembly .....	67
Manifold Assembly No. 104-5497 .....	68
Three Spool Valve Assembly No. 112-5253 .....	69
Crankcase Assembly .....	70
Oil Pan Assembly .....	71
Cylinder Head Assembly .....	72
Gear Case Assembly .....	73
Head Cover Assembly .....	74
Oil Filter Assembly .....	75
Dipstick and Guide Assembly .....	76
Oil Pump Assembly .....	77
Main Bearing Case .....	78
Camshaft and Idler Gear Shaft Assembly .....	79
Piston and Crankshaft Assembly .....	80
Flywheel Assembly .....	81
Fuel Camshaft and Governor Shaft Assembly .....	82
Engine Stop Lever Assembly .....	83
Injection Pump Assembly .....	84
Injection Pump (Component Part) Assembly .....	85
Governor Assembly .....	86
Speed Control Plate Assembly .....	87
Nozzle Holder and Glow Plug Assembly .....	88
Fuel Filter and Fuel Pump .....	89
Alternator and Pulley Assembly .....	90
Alternator (Component Part) Assembly .....	91
Starter Assembly .....	92
Starter (Component Part) Assembly .....	93
Oil Switch / Thermometer and Plug Assembly .....	94
Water Flange and Thermostat Assembly .....	95
Water Pump Assembly .....	96
Water Pipe Assembly .....	97
Fan Assembly .....	98
Valve and Rocker Arm Assembly .....	99
Inlet Manifold Assembly .....	100
Exhaust Manifold Assembly .....	101
Turbo Charger Assembly .....	102
Oil Pipe (Turbo Charger) Assembly .....	103
Oil Cooler Assembly .....	104
Muffler Gasket and Glow Controller .....	105
Engine Operators Manual .....	106
Gasket Assembly .....	107
Attachments and Accessories .....	108



## Hood, Screen and Bumper Assembly

Ref.	Part Number	Qty.	Description	Ref.	Part Number	Qty.	Description
1	107-1975-03	1	RH Hood Frame ASM	25	32104-17	4	Screw-HWH
2	107-1973-03	1	Tube-Front, Hood	26	105-9199-03	1	Weight-Bumper
3	104-5430	1	Shroud-Front	27	105-9221-03	1	Bumper-Rear
4	104-5446-03	1	Divider-Shroud	28	240-14	2	Bumper-Rubber
5	3290-467	2	Pin-Hair	29	32128-33	2	Nut-HF
6	104-5454-03	1	Screen ASM	30	105-9200-03	2	Clamp-Weight, Bumper
7	105-9876	2	Decal	33	3296-23	4	Nut-Lock, NI
8	104-5419	1	Hood	34	322-17	2	Screw-HH
8:1	106-8116	1	Heat Tape Repair Kit ●	35	104-5450	2	Retainer-Receiver, Hood
9	3256-22	12	Washer-Flat	36	3290-221	2	Washer-Spring
10	3296-42	12	Nut-Lock, NI	37	104-5451	2	Spacer-Receiver, Hood
11	3269-17	4	Rivet-Pop	38	76-8350	2	Stop-Axle
12	104-5431	1	Cover-Tube, RH	39	3256-26	2	Washer-Flat
13	3296-29	10	Nut-Lock, NI	40	59-9740	4	Flex Draw Latch ASM
14	321-10	6	Screw-HH	40:2	249-40	1	Keeper
15	322-9	8	Screw-HH	41	3290-55	8	Rivet-Pop
16	104-5445-03	1	RH Support ASM	42	325-6	2	Screw-HH
17	32128-43	4	Nut-Flange	43	325-33	2	Screw-HH
18	321-13	6	Screw-HH	44	105-3912	1	Latch-Draw
19	107-1974-03	1	LH Hood Frame ASM	45	105-9245	2	Pin-Lock
20	104-5444-03	1	LH Support ASM	46	106-6754	2	Decal-Danger
21	104-5435-03	1	Tube-Rear, Hood	47	104-5459	1	Plate-Latch
22	3234-11	4	Screw-HHF	48	105-9234	1	Seal-Foam
23	104-5440-03	2	Hood Receiver ASM	49	105-9237	2	Seal-Foam
24	104-5432	1	Cover-Tube, LH	50	105-9235	2	Seal-Foam

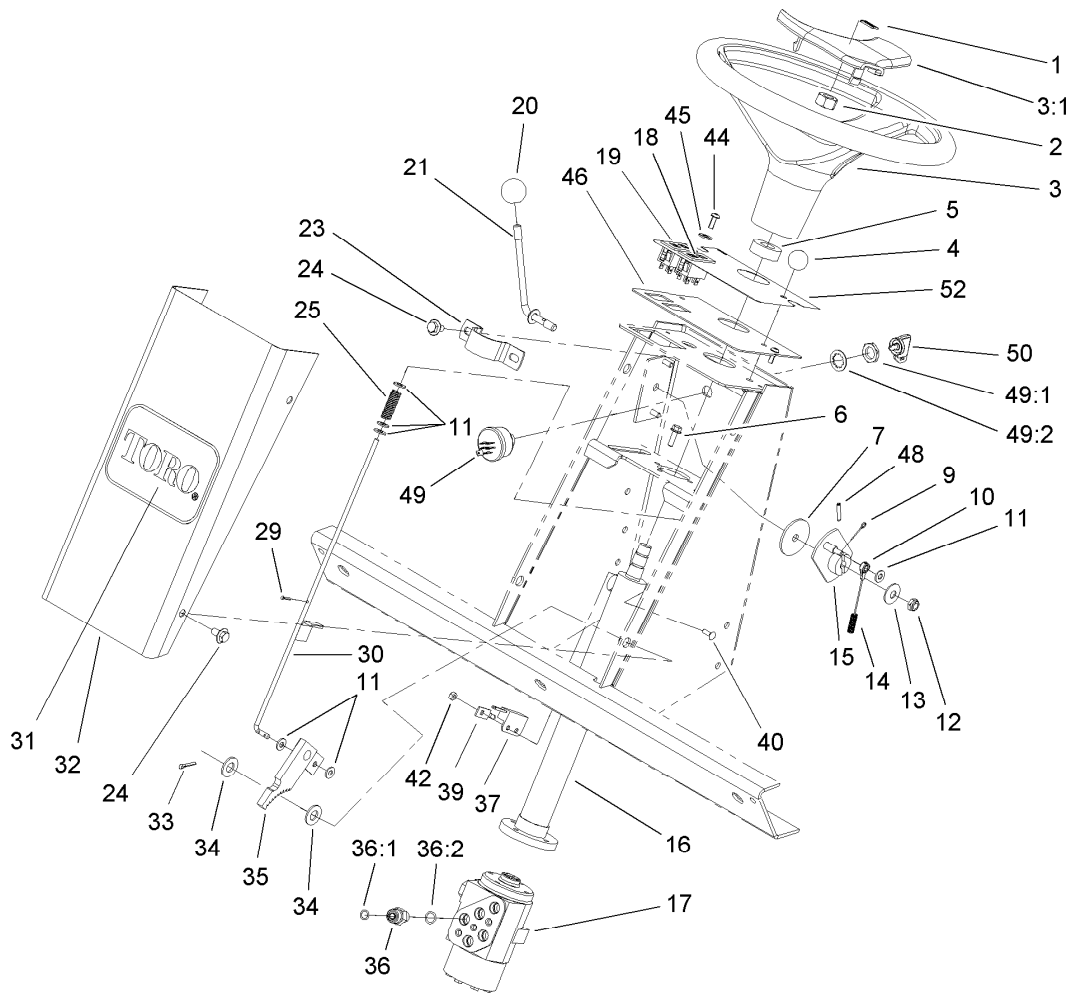
● Not illustrated



## Hood, Screen and Bumper Assembly (continued)

<i>Ref.</i>	<i>Part Number</i>	<i>Qty.</i>	<i>Description</i>	<i>Ref.</i>	<i>Part Number</i>	<i>Qty.</i>	<i>Description</i>
51	93-6028	1	Plate-Logo	56	3290-55	4	Rivet-Pop
52	94-2638	4	Nut-Tinnerman	57	3269-15	2	Rivet-Pop
53	66-1210	2	Decal	58	3249-3	2	Screw-PRH
54	3269-10	8	Washer-Back	59	3256-53	2	Washer-Flat
55	105-9829	1	Seal-Foam	60	3296-9	2	Nut-Lock

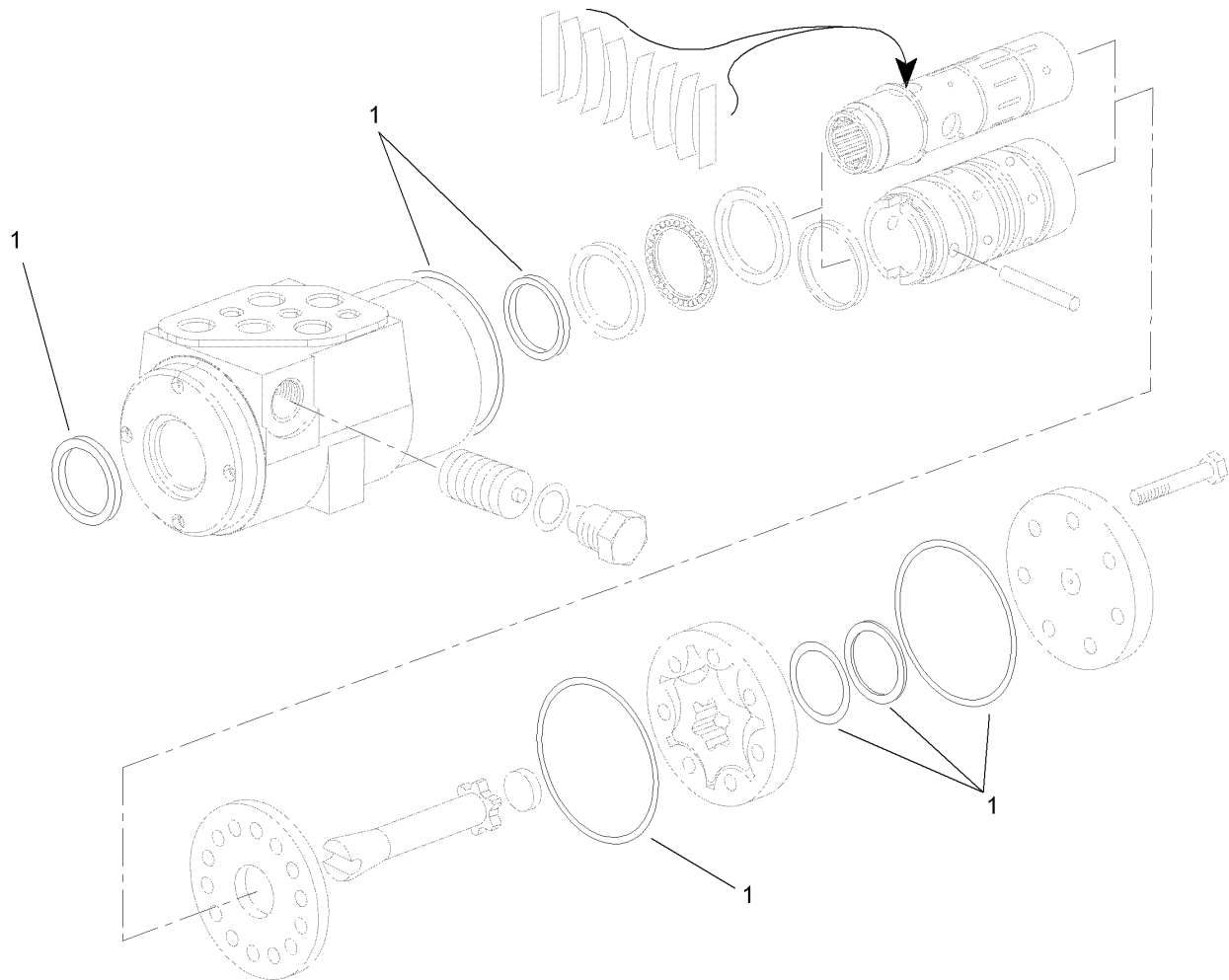
● Not illustrated



## Steering Tower Assembly

Ref.	Part Number	Qty.	Description	Ref.	Part Number	Qty.	Description
1	98-1459	1	Decal	29	3272-5	3	Pin-Cotter
2	107-2562	1	Nut-Hex	30	104-1492	1	Rod ASM
3	98-1471	1	Wheel-Steering	31	62-5550	1	Decal
3:1	98-1468	1	Cover-Wheel, Steering	32	93-7996-01	1	Cover-Tower
4	233-17	1	Knob	33	3272-10	1	Pin-Cotter
5	21-9260	1	Cover-Dust	34	3256-26	2	Washer-Flat
6	33103-016	3	Screw-HHF	35	63-7900-03	1	Rack ASM
7	75-6550	1	Disc-Friction	36	340-2	5	Fitting-HYD, Straight
9	3272-2	1	Pin-Cotter	36:1	237-22	1	O-Ring
10	75-6580	1	Cable-Pedal	36:2	237-42	1	O-Ring
11	3256-22	6	Washer-Flat	37	100-1270	1	Switch-Proximity
12	3296-59	1	Nut-Lock, NI	39	100-4872	1	Plate-Switch, Neutral
13	3290-461	1	Washer-Spring	40	3229-34	1	Screw-CARR
14	95-7151	1	Tube-Convolute	42	3296-2	1	Nut-Lock, NI
15	75-6510	1	Bracket-Lever	44	87-6620	2	Screw
16	94-9951	1	Column-Steering	45	3256-1	2	Washer-Flat
17	114-5074	1	Steering Control ASM	46	105-9232-03	1	Plate-Instrument
18	100-8071	1	Lamp-Warning	48	32121-45	1	Pin-Spring
19	100-8070	1	Lamp-Warning	49	104-2541	1	Switch ASM
20	233-42	1	Knob	49:1	218-461	1	Nut-HH
21	75-6490	1	Lever ASM	49:2	3254-5	1	Washer-Tooth, Internal
23	75-2810	1	Bracket-Column, Steering	50	63-8360	1	Key-Ignition
24	3234-7	6	Screw-HHF	52	105-3888	1	Decal-Tower
25	95-1821-03	1	Spring-Compression	99	3290-379	1	Tie-Cable ●

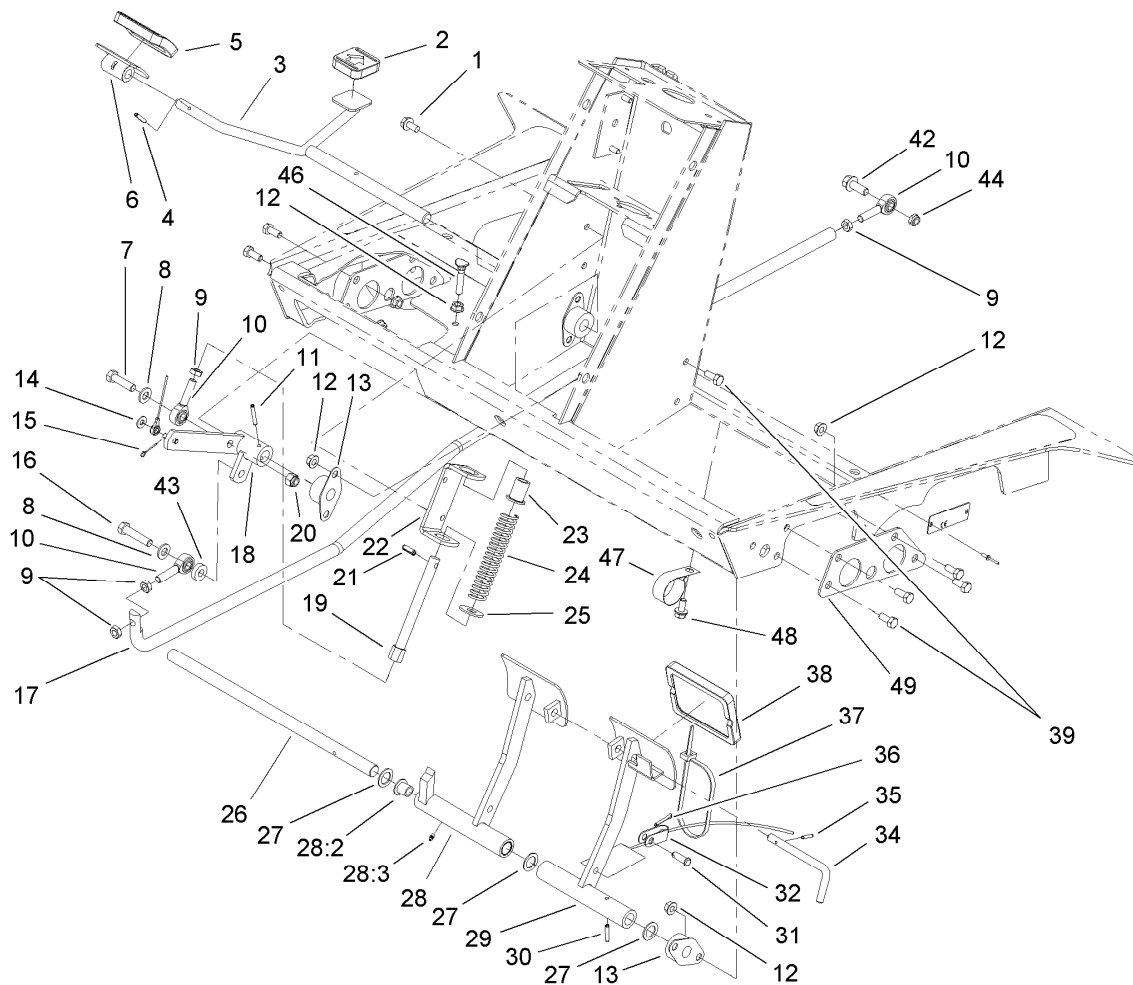
● Not illustrated



## Steering Control Assembly No. 114-5074

<i>Ref.</i>	<i>Part Number</i>	<i>Qty.</i>	<i>Description</i>
1	108-1519	1	Seal Kit

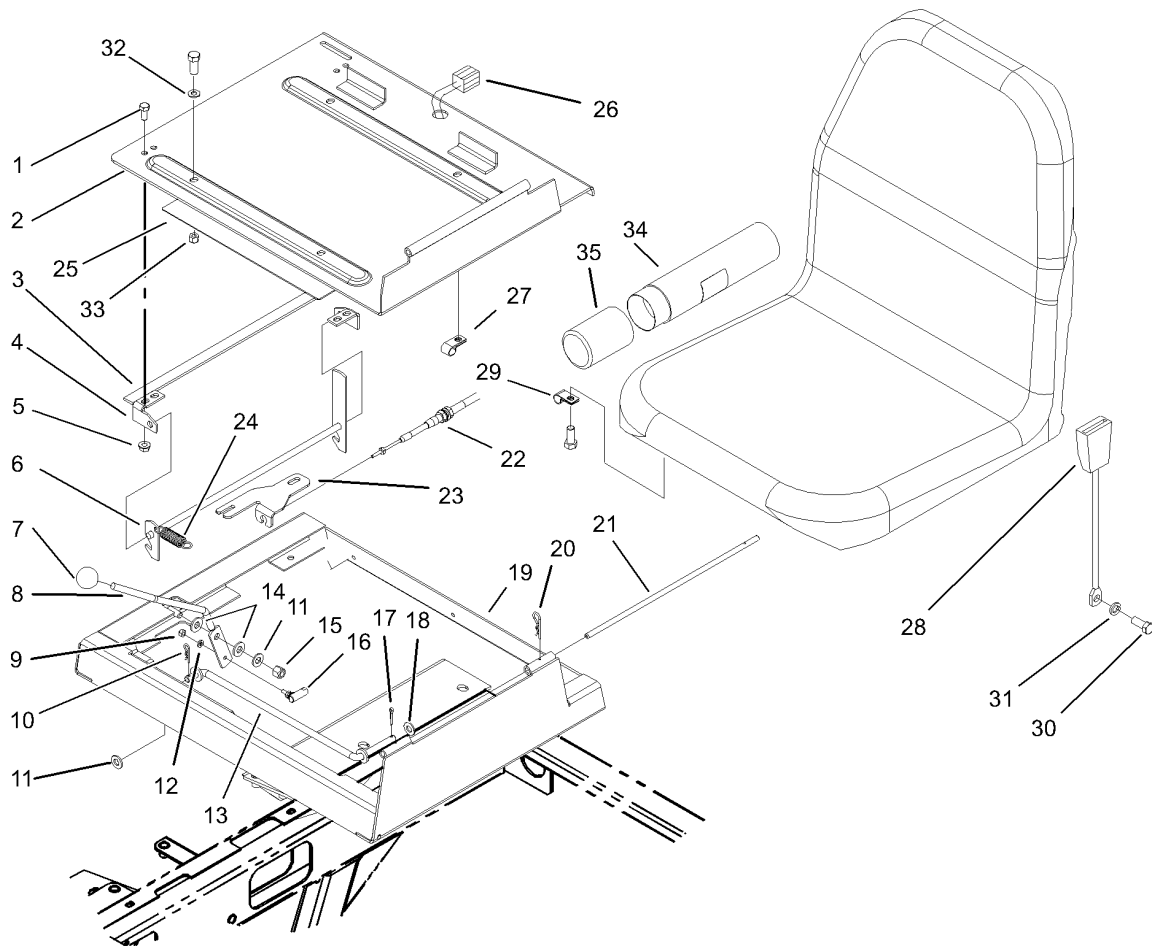
● Not serviced separately



## Traction and Brake Pedal Assembly

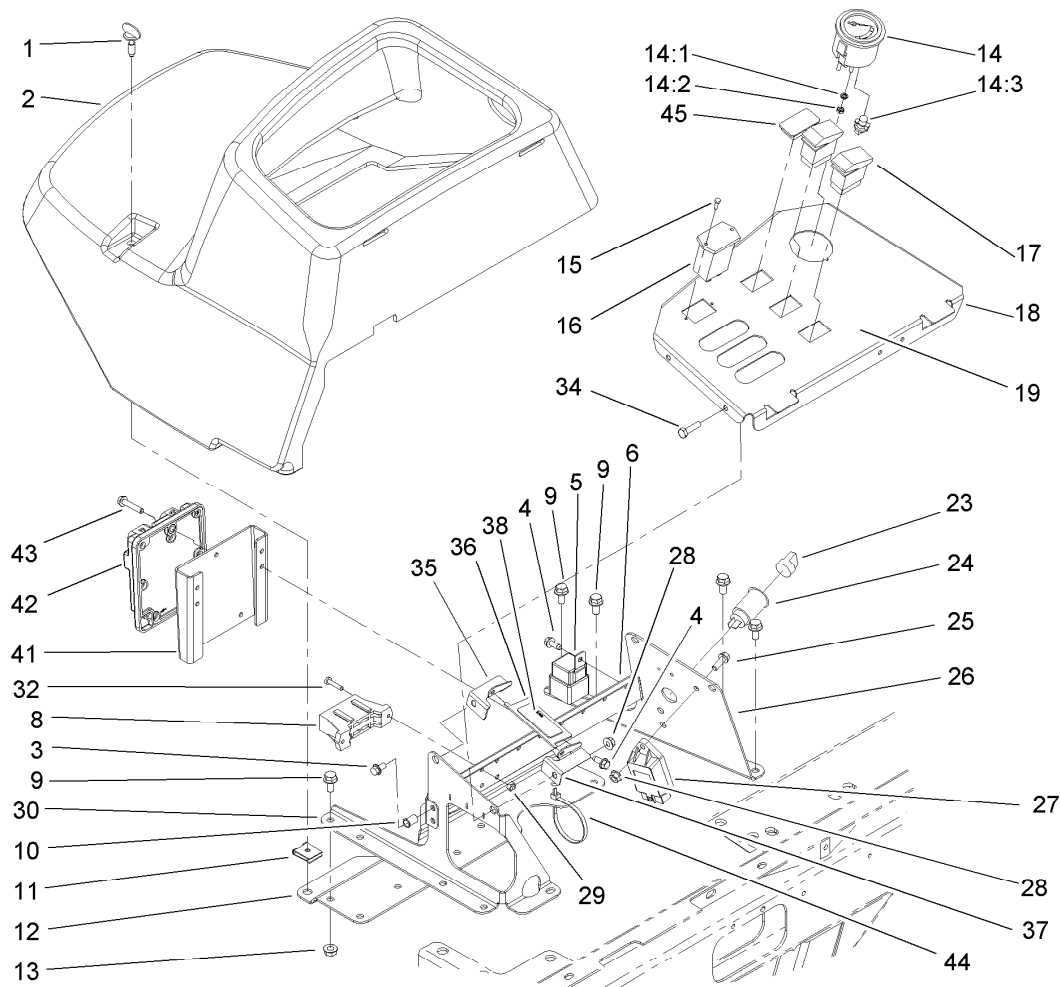
Ref.	Part Number	Qty.	Description	Ref.	Part Number	Qty.	Description
1	32144-14	2	Screw-HWHTF	25	3256-5	1	Washer-Flat
2	74-9110	1	Pad-Pedal, Reverse	26	75-1470	1	Pin-Pivot, Brake
3	75-2970	1	Pedal-Traction	27	3256-69	3	Washer-Flat
4	32121-45	1	Pin-Spring	28	75-1430	1	Pedal-Brake, RH
5	74-9100	1	Pad-Pedal, Forward	28:2	256-42	2	Bushing
6	49-6440-03	1	Pedal-Forward	28:3	302-5	1	Fitting-Grease
7	323-29	1	Screw-HH	29	75-1440-03	1	LH Brake Pedal ASM
8	3256-24	2	Washer-Flat	30	32121-16	1	Pin-Spring
9	3220-3	4	Nut-HJ	31	283-58	2	Pin-Clevis
10	2411-36	3	Bearing-End, Rod	32	92-7530	1	LH Brake Cable ASM
11	32121-6	1	Pin-Roll, Slotted	33	92-7529	1	RH Brake Cable ASM ●
12	32128-20	19	Nut-HF	34	63-7880	1	Pin-Latch, Brake
13	256-236	4	Bearing-Mount, Flange	35	32121-50	1	Pin-Spring
14	3256-22	1	Washer-Flat	36	3272-10	2	Pin-Cotter
15	3272-2	1	Pin-Cotter	37	3290-378	1	Tie-Cable
16	323-9	1	Screw-HH	38	93-8742	2	Footpad-Brake
17	104-5632-03	1	Rod-Control, Pump	39	322-3	15	Screw-HH
18	75-3270-03	1	Hub-Pivot, Traction	42	3234-11	1	Screw-HHF
19	92-7609	1	Shaft-Spring	43	5-0652	1	Spacer
20	3296-39	2	Nut-Lock, NI	44	3296-59	1	Nut-Lock, NI
21	32121-11	1	Pin-Roll	46	17-9420	2	Screw-Handle
22	92-7608-03	1	Bracket-Spring	47	2412-150	1	Clip-J
23	92-7610	1	Retainer-Spring	48	3234-14	1	Screw-HHF
24	84-9100	1	Spring	49	106-7794-01	2	Plate-Mount, HYD Fitting

● Not illustrated



## Throttle and Seat Frame Assembly

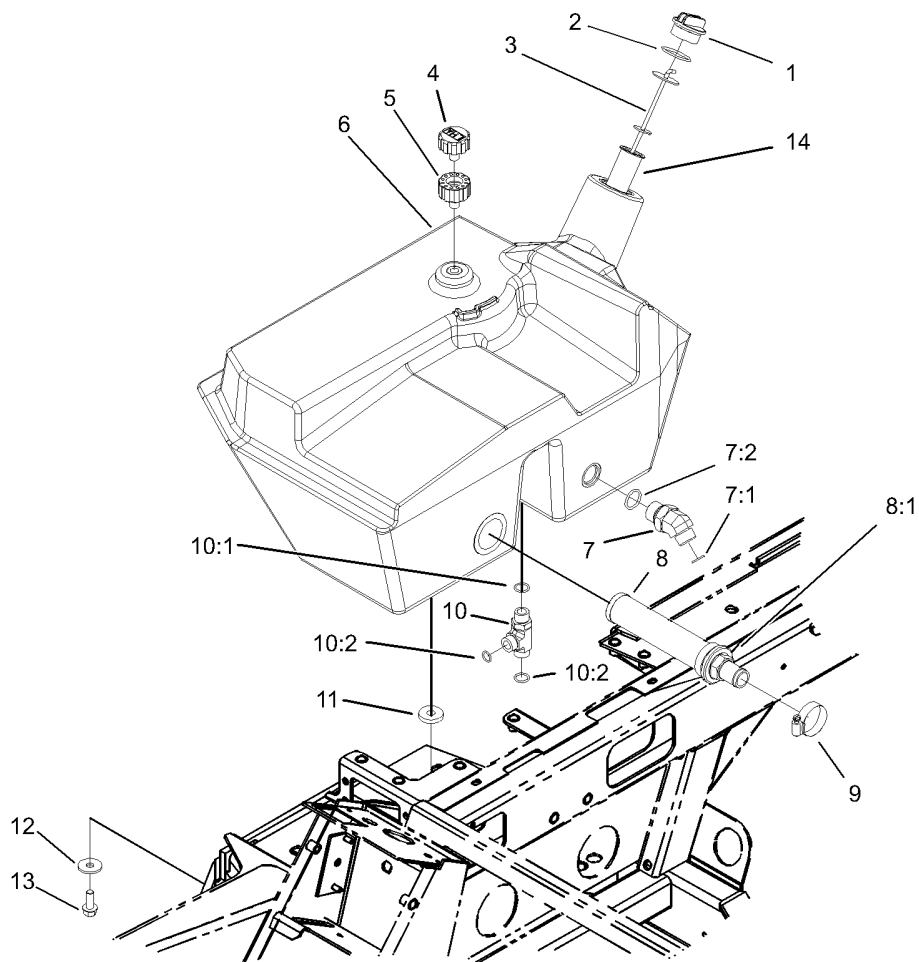
Ref.	Part Number	Qty.	Description	Ref.	Part Number	Qty.	Description
1	322-3	8	Screw-HH	19	98-2352-03	1	Frame-Seat
2	98-2350-03	1	Seat Plate ASM	20	3290-467	1	Pin-Hair
3	94-8146	1	Strip-Foam	21	75-3400	1	Shaft-Pivot, Seat
4	98-2353	2	Bracket-Latch, Seat	22	104-7547	1	Cable-Throttle
5	32128-25	4	Nut-HF	23	105-3929-03	1	Bracket-Cable, Throttle
6	98-2354-03	1	Latch-Seat	24	66-4190-03	1	Spring-Idler, Clutch
7	233-42	1	Knob	25	105-9895	1	Decal-Quick Reference
8	93-7598-03	1	Lever-Throttle	26	105-9189	1	Harness-Wire, Seat Switch
9	3296-21	1	Nut-Lock, NI	27	2412-133	2	R-Clamp
10	3290-307	1	Pin-Hair	28	100-4928	1	Belt-Seat
11	3256-24	3	Washer-Flat	29	2412-93	1	Clamp-R
12	3256-51	1	Washer-Flat	30	3212-4	2	Screw-HH
13	75-3680-03	1	Rod-Seat	31	3253-6	2	Washer-Lock
14	66-2920	2	Washer-Friction	32	3256-23	4	Washer-Flat
15	3296-39	1	Nut-Lock, NI	33	3296-29	8	Nut-Lock, NI
16	2411-38	1	Joint-Ball	34	104-7050	1	Tube-Manual
17	3272-10	1	Pin-Cotter	35	104-7048	1	Cap-Housing
18	52-2900	2	Washer-Plastic				



## Control Console Assembly

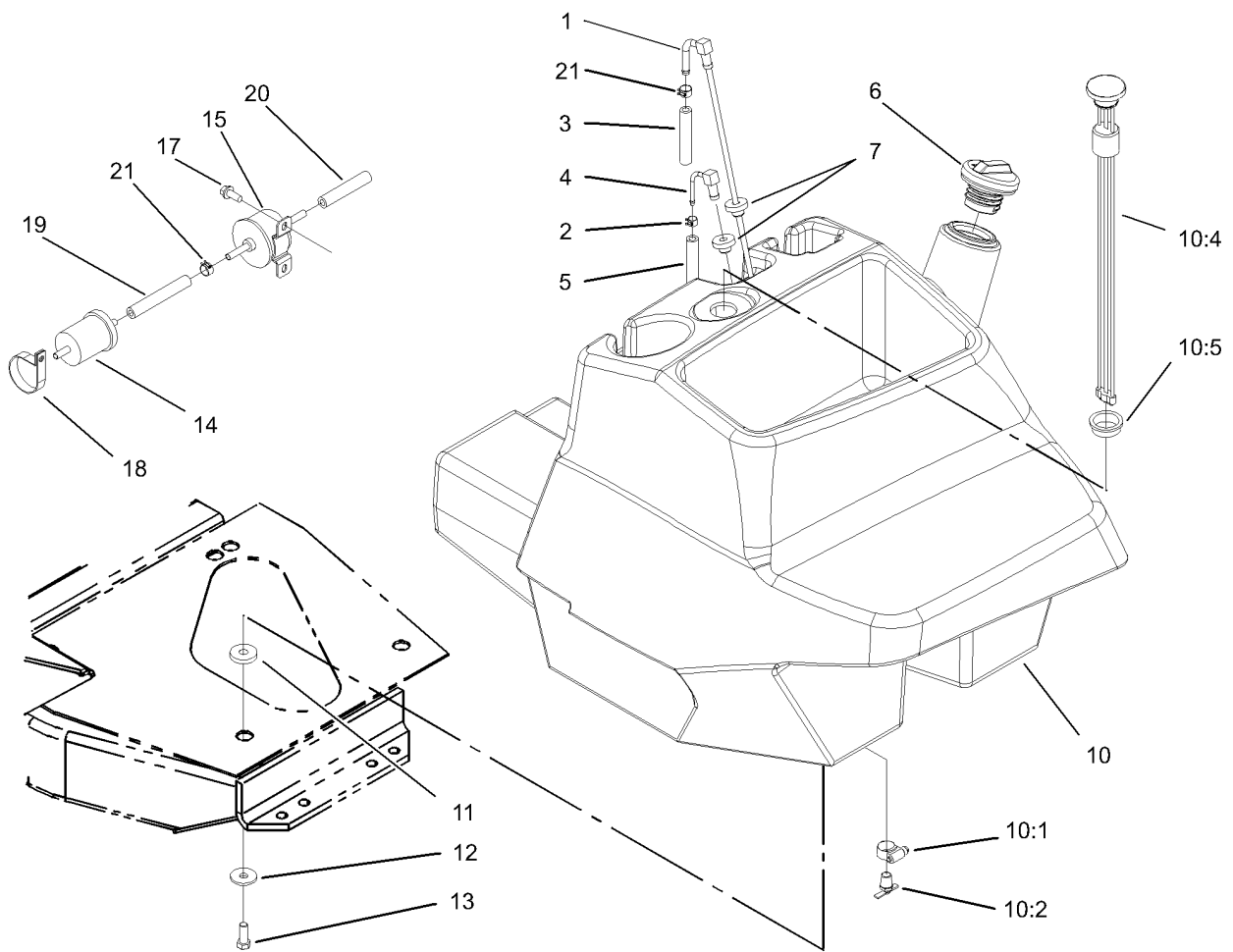
Ref.	Part Number	Qty.	Description	Ref.	Part Number	Qty.	Description
1	105-9208	2	Screw-Head, Wing	18	108-4043-03	1	Dash
2	104-5599	1	Cover-Console	19	108-4044	1	Decal-Console
3	3234-13	4	Screw-HHF	19	105-9223	1	Decal-Console, Ce
4	32144-10	7	Screw-HWH	23	99-7416	1	Cap
5	99-7430	3	Relay	24	99-7411	1	Point-Power
6	104-5613-03	1	Panel-Relay	25	3234-4	1	Screw-HHF
8	105-9867	1	Harness-Wire, Console	26	104-5610-03	1	Panel-Dash, Rear
8:2	218-578	4	Fuse-Blade, 10 Amp ●	27	98-7611	1	Controller-Glow
8:3	109355	1	Fuse-Blade, 15 Amp ●	28	32128-33	3	Nut-HF
8:4	100-4918	1	Diode ●	29	3296-2	6	Nut-Lock, NI
8:5	92-3188	1	Diode-Board, Circuit ●	30	104-5609-03	1	Panel-Dash, Front
8:6	94-6710	1	Fuse-2 Amp ●	31	105-3986	1	Module-Control, Deck ●
9	3234-14	9	Screw-HHF	32	32105-13	6	Screw-HWH
10	32148-6	6	Insert-Nut	34	321-6	2	Screw-HH
11	105-9209	2	Recepticle-Clip On	35	105-9840	1	Bracket-Latch, RH
12	104-5612-03	1	Support-Cover	36	105-9842	1	Plate-Latch, Ce
13	32128-20	4	Nut-HF	37	105-9841	1	Bracket-Latch, LH
14	98-9308	1	Gauge-Temperature	38	105-9830	1	Decal-Lever Lock, Ce
14:1	3254-1	3	Washer-Lock, Int	41	105-9873-03	1	Bracket-Module
14:2	3217-27	3	Nut-Hex	42	105-8505	1	Module-Control, Standard
14:3	105-9265	1	Bulb And Lamp ASM	43	32144-110	3	Screw-HWH
15	32144-18	2	Screw-HH	44	3290-379	5	Tie-Cable
16	75-6820	1	Hourmeter	45	99-7420	1	Plug-Hole
17	95-8999	2	Switch				

● Not illustrated



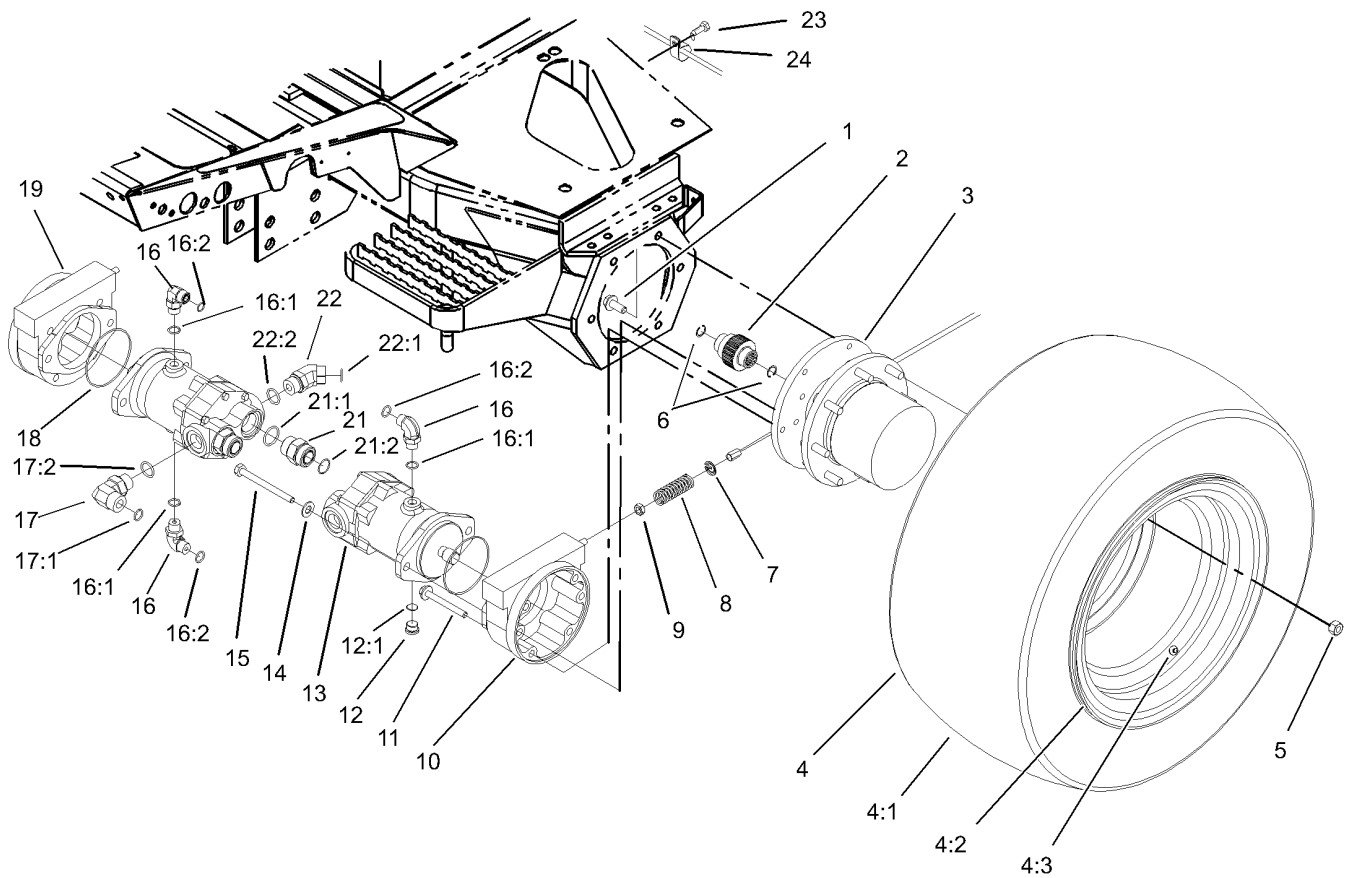
## Hydraulic Filter and Reservoir Assembly

<i>Ref.</i>	<i>Part Number</i>	<i>Qty.</i>	<i>Description</i>
1	93-7498	1	Plug-Plastic
2	94-8166	1	O-Ring
3	75-3710	1	Dipstick
4	68-6150	1	Breather
5	92-8020	1	Adapter-Breather
6	104-5600	1	Tank-HYD
7	340-156	1	Fitting-HYD
7:1	237-65	1	O-Ring
7:2	237-81	1	O-Ring
8	104-7546	1	Strainer-Tank
8:1	340-136	1	O-Ring
9	2412-111	2	Clamp
10	340-109	1	Fitting-HYD, Tee
10:1	237-79	1	O-Ring
10:2	237-30	2	O-Ring
11	240-11	3	Bushing-Flange
12	63-8410	3	Washer
13	3234-11	3	Screw-HHF
14	61-2790	1	Filter-Screen



## Fuel Tank and Filter Assembly

Ref.	Part Number	Qty.	Description
1	104-5604	1	Fitting-Suction
2	2412-80	2	Clamp-Hose
3	39-1120	1	Hose-Fuel
4	104-5605	1	Fitting-Return
5	105-9242	1	Hose-Fuel
6	93-3102	1	Cap-Fuel
7	46-6560	2	Bushing
10	104-5601	1	Fuel Tank ASM
10:1	2412-36	1	Clamp-Hose
10:2	304-46	1	Draincock
10:4	104-5603	1	Gauge-Level, Fuel
10:5	95-8972	1	Grommet
11	240-11	4	Bushing-Flange
12	63-8410	4	Washer
13	3234-11	4	Screw-HHF
14	98-7612	1	Filter-Fuel
15	107-0122	1	Pump-Fuel, Electric
17	32144-10	3	Screw-HWH
18	2412-148	1	Clamp-R
19	105-9196	1	Hose-Fuel
20	93-2230	1	Hose-Fuel
21	92-2379	5	Clamp-Hose

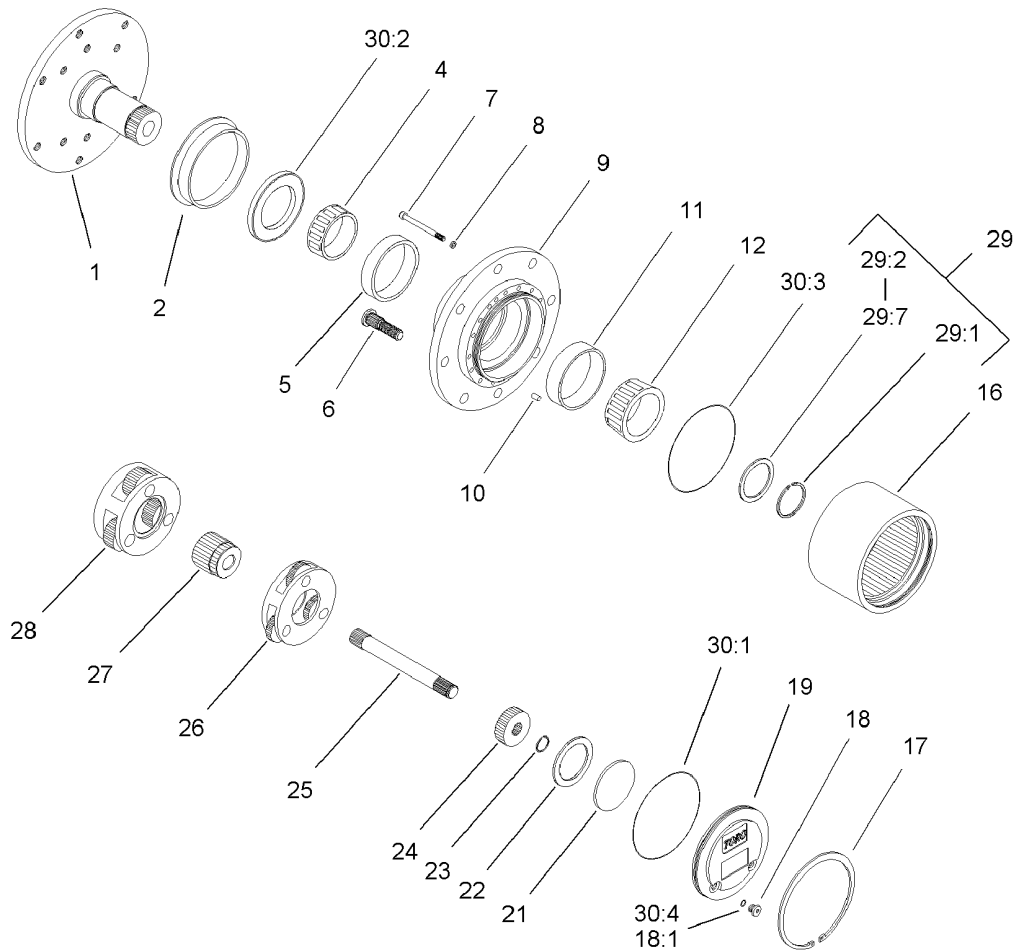


## Front Drive and Brake Assembly

Ref.	Part Number	Qty.	Description
1	33106-030	12	Screw-HHF
2	100-3046	2	Shaft-Brake, Splined
3	105-4500-03	2	Planetary ASM
4		2	Wheel And Tire ASM ●
4:1	95-3465	1	Tire
4:2	95-3464	1	Rim
4:3	232-24	1	Stem-Valve
5	92-7483	16	Nut-Lug
6	93-7972	4	Ring-Retaining, Internal
7	94-3050	2	Plate-Spring
8	94-3088	2	Spring-Compression
9	3218-4	2	Nut-Jam
10	100-3070-03	1	Brake ASM
11	33106-090	8	Screw-HHF
12	353-988	1	Plug-Hex
12:1	237-79	1	O-Ring
13	105-1218	2	Piston Motor ASM
14	3256-26	4	Washer-Flat

Ref.	Part Number	Qty.	Description
15	33116-120	4	Screw-HH
16	340-98	3	Fitting-HYD, 90 DEG
16:1	237-79	1	O-Ring
16:2	237-30	1	O-Ring
17	340-142	2	Fitting-HYD, 90 DEG
17:1	237-58	1	O-Ring
17:2	237-81	1	O-Ring
18	237-166	2	O-Ring
19	100-3069-03	1	Brake ASM
21	104-3797	4	Fitting-HYD, Straight
21:1	237-146	1	O-Ring
21:2	340-65	1	O-Ring
22	100-5530	2	Fitting-HYD, 45 DEG
22:1	237-58	1	O-Ring
22:2	237-81	1	O-Ring
23	32144-14	2	Screw-HWHTF
24	2412-93	2	Clamp-R

● Not serviced separately

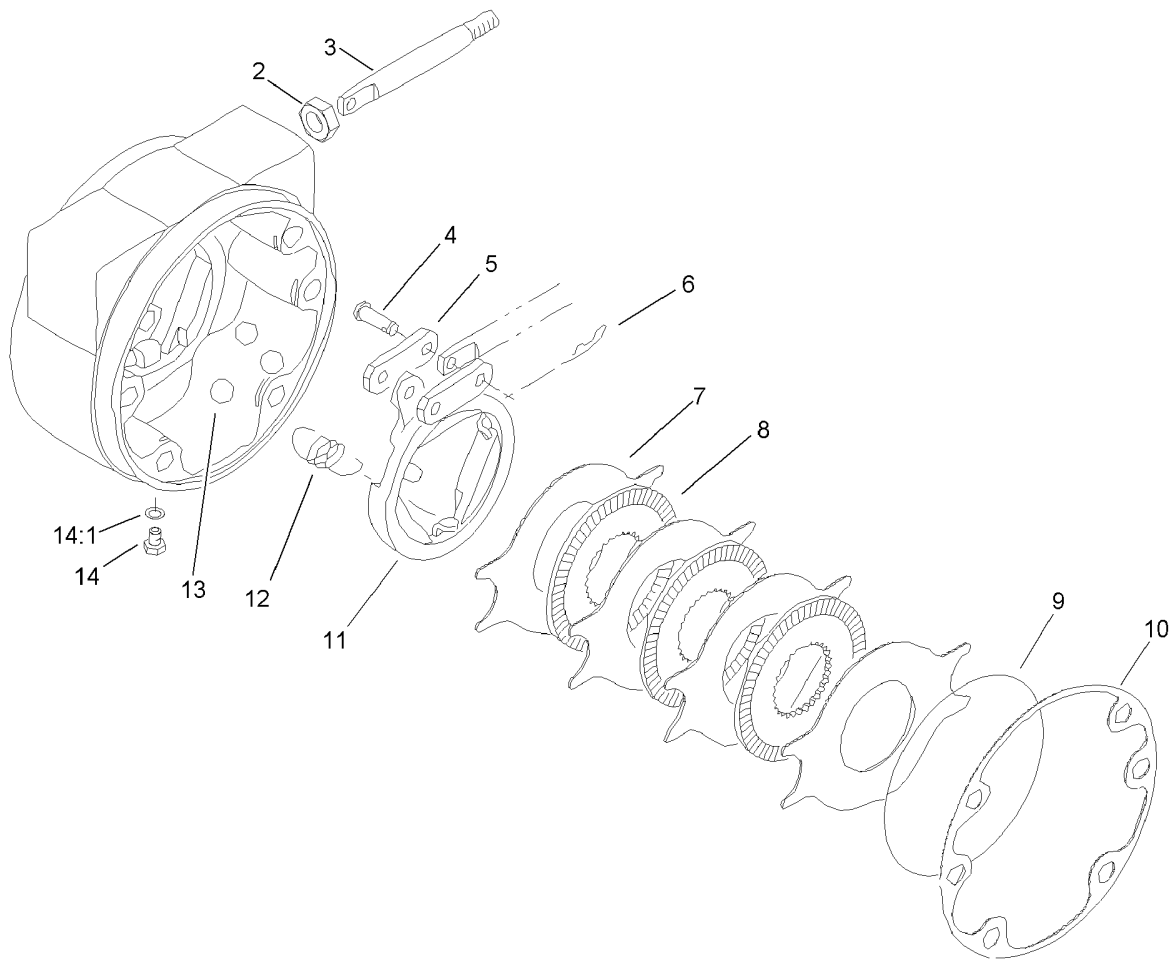


## Planetary Assembly No. 105-4500-03

Ref.	Part Number	Qty.	Description	Ref.	Part Number	Qty.	Description
1		1	Spindle ■	24	105-8114	1	Gear-Primary
2	105-8122	1	Seal-Boot	25	105-8115	1	Shaft-Drive
4	105-8120	1	Bearing-Cone	26	105-8129	1	Primary Carrier ASM
5	105-8119	1	Bearing-Cup	27	105-8139	1	Gear-Secondary
6	105-8124	8	Stud-Wheel	28	105-8130	1	Secondary Carrier ASM
7	105-8125	16	Bolt-Head, Socket	29	105-8136	1	Shim Kit
8	3253-18	16	Washer-Lock	29:1		1	Ring-Snap ■
9		1	Housing ■	29:2		1	Shim-Bearing, 2.9Mm ■
10	105-8121	1	Pin-Dowel	29:3		1	Shim-Bearing, 2.8Mm ■
11	105-8117	1	Bearing-Cup	29:4		1	Shim-Bearing, 2.7Mm ■
12	105-8118	1	Bearing-Cone	29:5		1	Shim-Bearing, 2.6Mm ■
16	105-8113	1	Gear-Ring	29:6		1	Shim-Bearing, 2.5Mm ■
17	105-8132	1	Ring-Retaining	29:7		1	Shim-Bearing, 2.4Mm ■
18	353-990	2	Plug	30	105-8137	1	Seal Kit ●
18:1	237-78	1	O-Ring	30:1		1	O Ring-Flange Cap ■
19	105-8138	1	Cap-End	30:2		1	Seal-Oil ■
21	105-8133	1	Plug-Thrust	30:3		2	O Ring-End Cap ■
22	105-8123	1	Washer-Thrust	30:4	237-78	2	O-Ring
23	105-8131	1	Ring-Retaining				

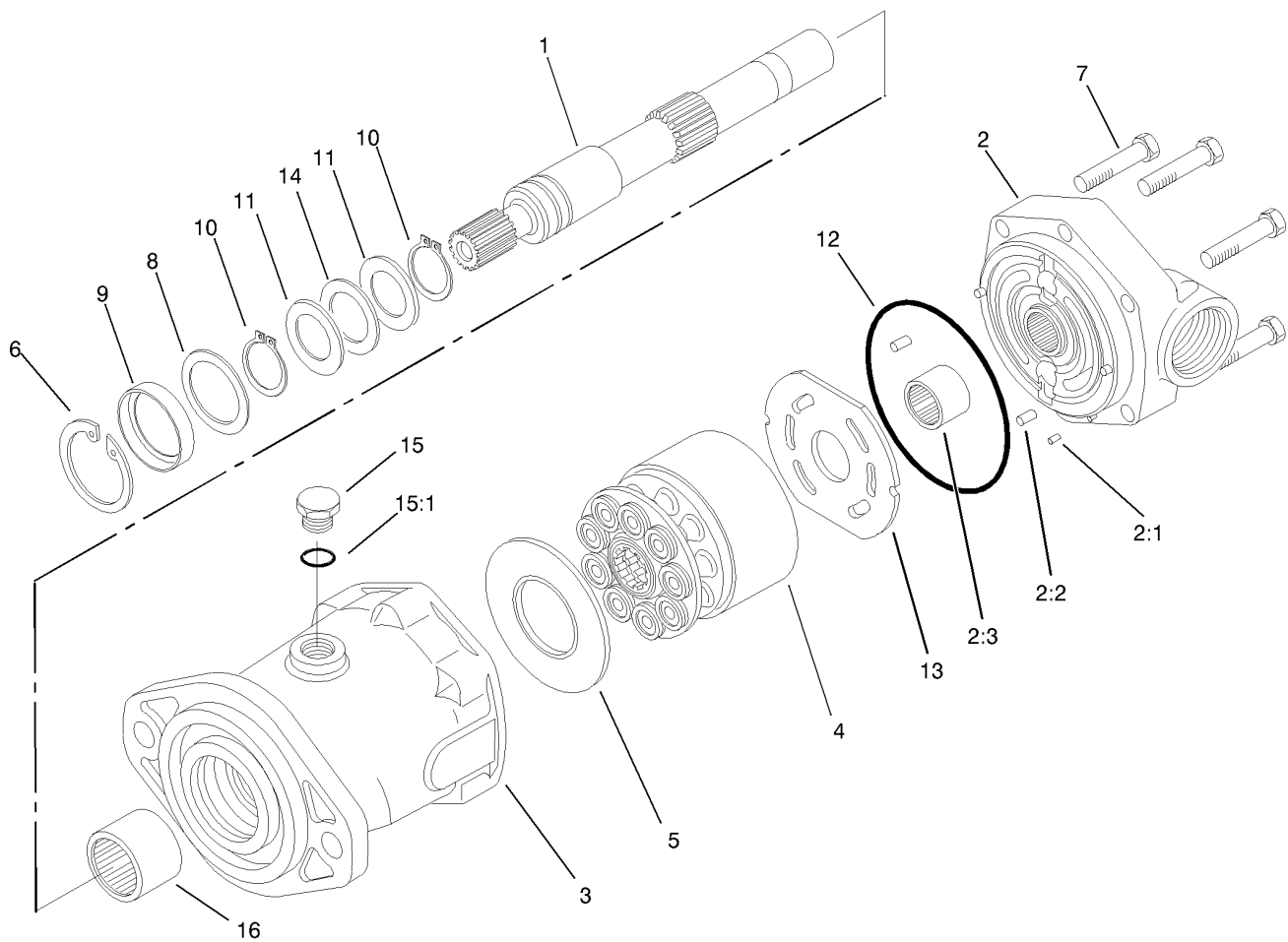
● Not illustrated

■ Not serviced separately



## Brake Assembly No. 100-3070-03

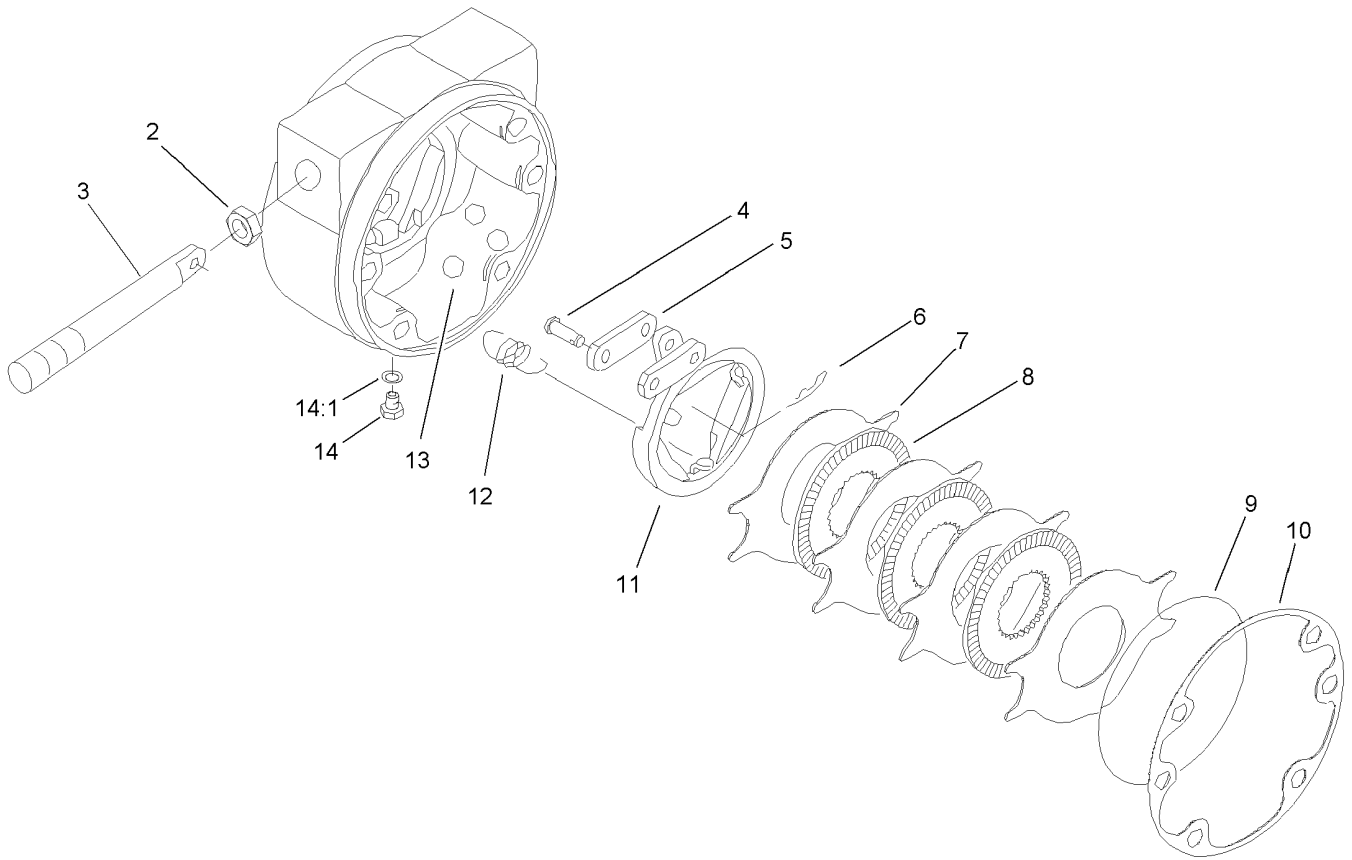
<i>Ref.</i>	<i>Part Number</i>	<i>Qty.</i>	<i>Description</i>
2	93-7977	1	Seal
3	93-7978	1	Rod-Pull
4	93-7983	2	Pin-Clevis
5	93-7980	2	Link
6	93-7979	2	Pin-Hitch
7	93-7986	4	Disc-Stationary
8	104-4278	3	Disc-Rotating
9	93-7976	1	Ring-Retaining
10	93-7984	1	Gasket
11	104-4279	1	Actuator-Rotating
12	93-7987	3	Spring-Extension
13	93-7985	3	Ball
14	353-990	2	Plug
14:1	237-78	1	O-Ring



## Piston Motor Assembly No. 105-1218

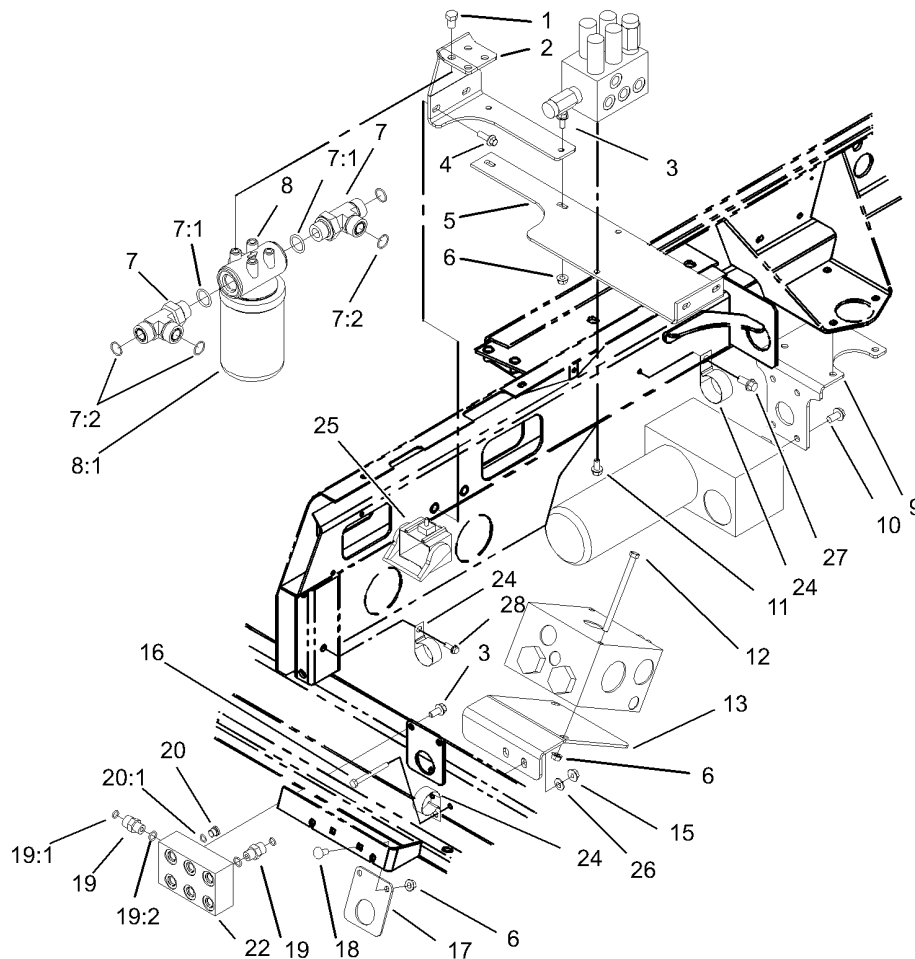
Ref.	Part Number	Qty.	Description
1	94-3004	1	Shaft-Drive, Splined
2	105-2851	1	Backplate ASM
2:1		3	Pin-Dowel ●
2:2		1	Pin-Dowel ●
2:3		1	Bearing-Needle ●
3		1	Housing ●
4	76-6910	1	Rotating Kit
5	76-6970	1	Insert-Plate, Cam
6	60-6260	1	Ring
7	94-3002	6	Capscrew
8	60-6240	1	Washer
9	105-3331	1	Seal-Shaft
10	76-7000	2	Ring-Retaining
11	76-6950	2	Race-Thrust
12	76-6980	1	O-Ring
13	94-3003	1	Plate-Valve
14	76-6960	1	Bearing-Thrust
15	353-550	1	Plug-HYD, HH
15:1	237-79	1	O-Ring
16	63-4390	1	Bearing-Needle

● Not serviced separately



## Brake Assembly No. 100-3069-03

<i>Ref.</i>	<i>Part Number</i>	<i>Qty.</i>	<i>Description</i>
2	93-7977	1	Seal
3	93-7978	1	Rod-Pull
4	93-7983	2	Pin-Clevis
5	93-7980	2	Link
6	93-7979	2	Pin-Hitch
7	93-7986	4	Disc-Stationary
8	104-4278	3	Disc-Rotating
9	93-7976	1	Ring-Retaining
10	93-7984	1	Gasket
11	104-4280	1	Actuator-Rotating
12	93-7987	3	Spring-Extension
13	93-7985	3	Ball
14	353-990	2	Plug
14:1	237-78	1	O-Ring

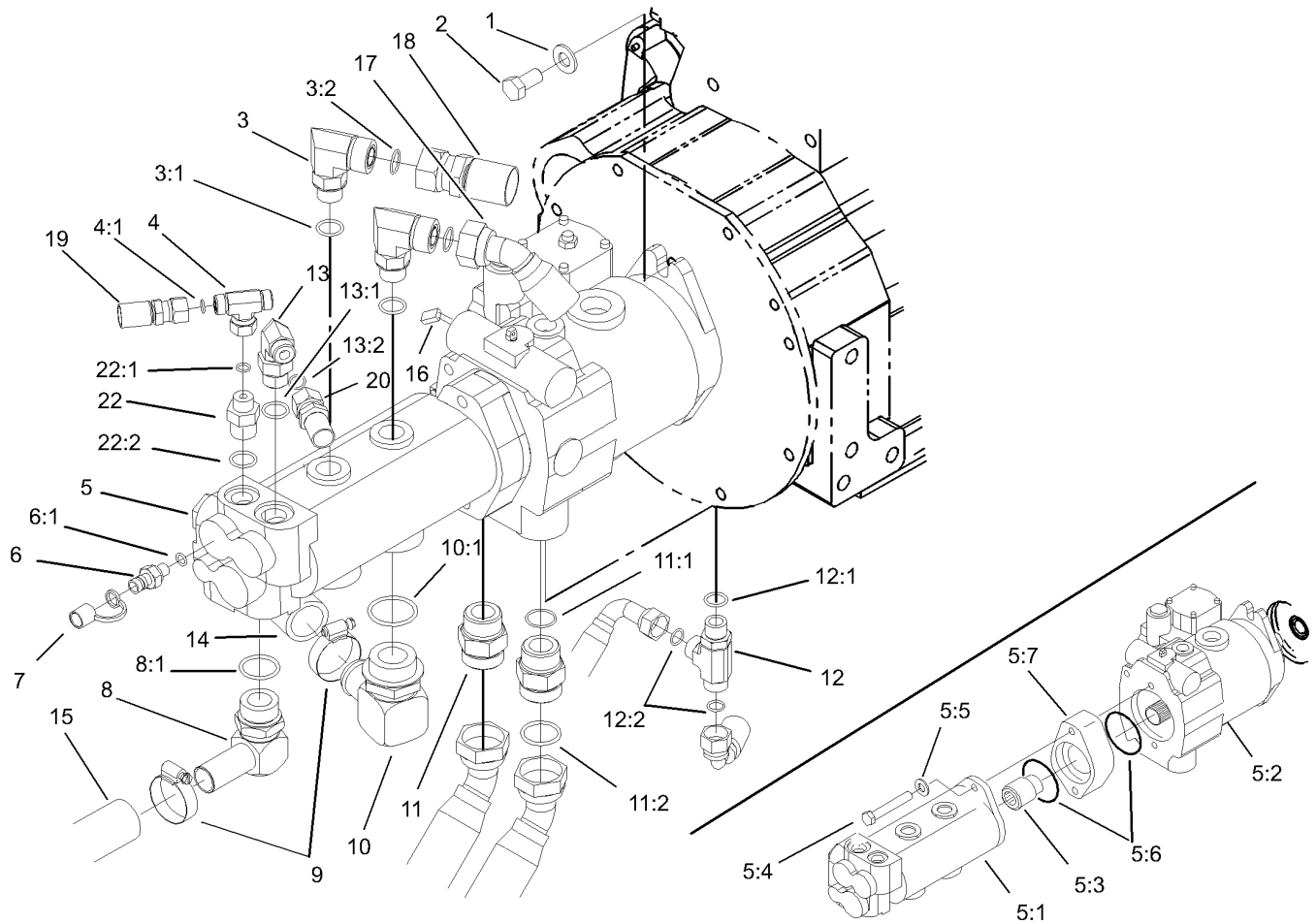


## Manifold Mounting and Fitting Assembly

Ref.	Part Number	Qty.	Description
1	33115-016	4	Screw-HH
2	104-5492-03	1	Bracket-Mount, Filter
3	3234-5	4	Screw-HHF
4	3234-17	4	Screw-HHF
5	104-5493-03	1	Bracket-Mount, Valve
6	32128-20	6	Nut-HF
7	340-148	2	Fitting-Tee
7:1	237-81	1	O-Ring
7:2	237-58	2	O-Ring
8	93-2242	1	Oil Filter ASM
8:1	75-1310	1	Element-Filter
9	104-5471-03	1	Bracket-Valve, Filter
10	3234-1	4	Screw-HHF
11	3234-14	2	Screw-HHF
12	322-48	2	Screw-HH
13	104-5467-03	1	Bracket-Mount, Valve

Ref.	Part Number	Qty.	Description
15	32128-33	2	Nut-HF
16	321-14	2	Screw-HH
17	104-5516-01	1	Support-Tube
18	3230-23	2	Screw-CARR
19	340-2	4	Fitting-HYD, Straight
19:1	237-22	1	O-Ring
19:2	237-42	1	O-Ring
20	353-990	1	Plug
20:1	237-78	1	O-Ring
22	104-5515	1	Manifold-Junction, Lift
24	2412-150	3	Clip-J
25	105-9868	1	Harness-Wire, Main
25:1	100-4918	1	Diode ●
26	3256-22	2	Washer-Flat
27	32144-14	1	Screw-HWHTF
28	3234-4	1	Screw-HHF

● Not illustrated

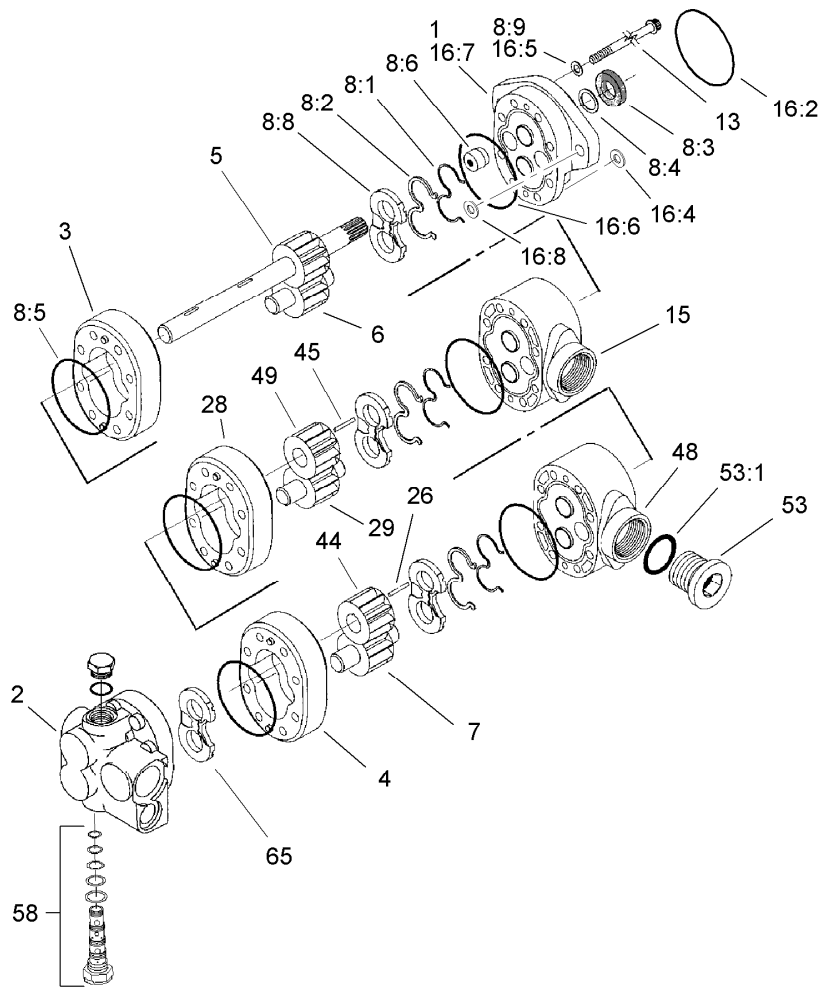


## Hydraulic Pump Assembly

Ref.	Part Number	Qty.	Description
1	87-7270	2	Washer-Thrust
2	3213-2	2	Screw-HH
3	340-16	2	Fitting-HYD, 90 DEG
3:1	237-80	1	O-Ring
3:2	237-58	1	O-Ring
4	340-166	1	Fitting-Tee, HYD
4:1	237-22	1	O-Ring
5		1	Pump ASM ●
5:1	105-9845	1	Triple Pump ASM
5:2	105-9846	1	Piston Pump ASM
5:3	74-9030	1	Coupler
5:4	323-32	2	Screw-HH
5:5	60-3540	2	Washer
5:6	60-3520	2	O-Ring
5:7	105-2869	1	Spacer
6	354-77	2	Fitting-Quick
6:1	237-78	1	O-Ring
7	354-79	2	Cap-Dust
8	56-9530	1	Fitting-HYD, 90 DEG
8:1	237-117	1	O-Ring
9	2412-111	2	Clamp

Ref.	Part Number	Qty.	Description
10	92-7526	1	Fitting-HYD, 90 DEG
10:1	237-101	1	O-Ring
11	104-3797	2	Fitting-HYD, Straight
11:1	237-146	1	O-Ring
11:2	340-65	1	O-Ring
12	340-109	1	Fitting-HYD, Tee
12:1	237-79	1	O-Ring
12:2	237-30	2	O-Ring
13	340-98	1	Fitting-HYD, 90 DEG
13:1	237-79	1	O-Ring
13:2	237-30	1	O-Ring
14	104-5482	1	Hose-Suction
15	104-5484	1	Hose-Suction
16	105-0122	1	Harness-Wire
17	105-3874	1	Hose ASM
18	105-3875	1	HYD Hose ASM
19	92-7595	1	Hose ASM
20	105-3869	1	Hose ASM
22	340-141	1	Fitting-HYD, Straight
22:1	237-22	1	O-Ring
22:2	237-80	1	O-Ring

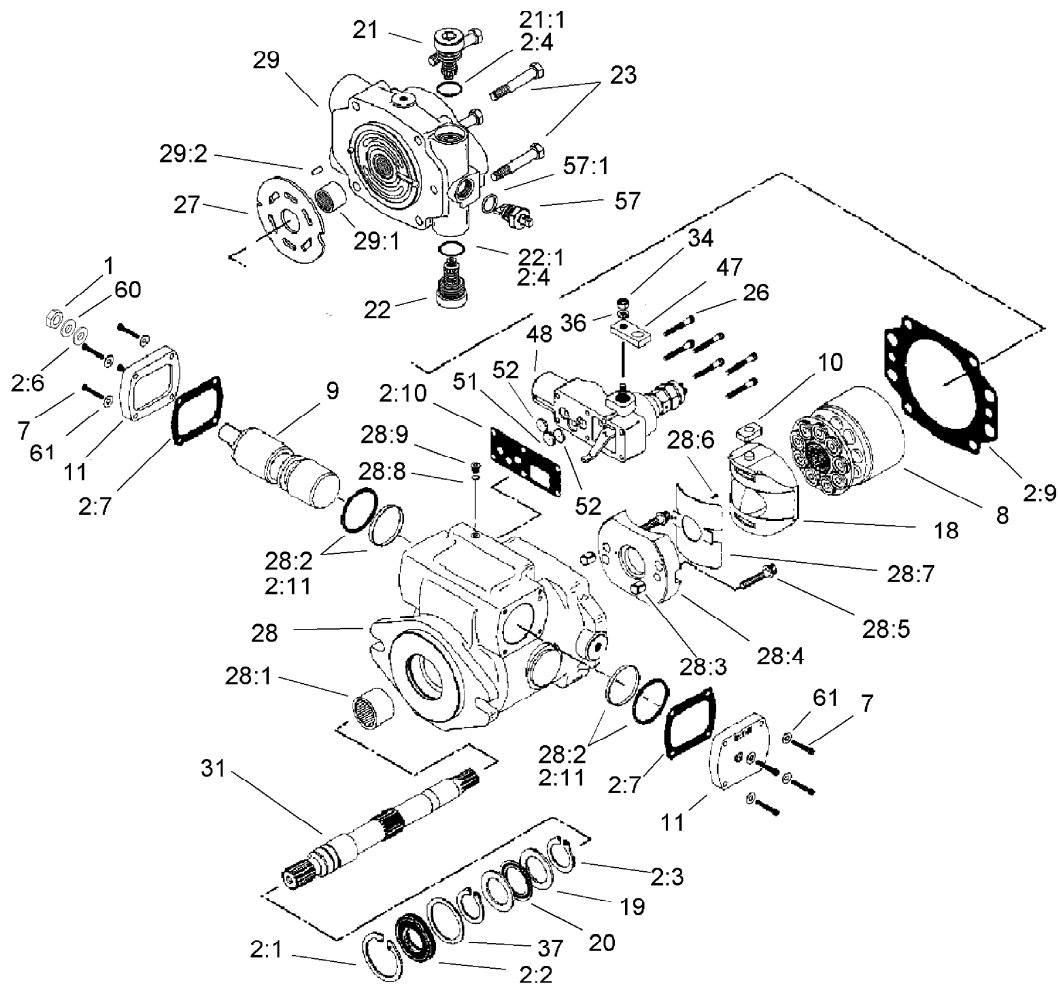
● Not serviced separately



## Triple Pump Assembly No. 105-9845

Ref.	Part Number	Qty.	Description	Ref.	Part Number	Qty.	Description
1		1	Front Plate ASM ●	16	107-4328	1	Front Plate Kit
2		1	Back Plate ASM ●	16:2		1	Seal-Dust ●
3		1	Body ●	16:4		4	Washer ●
4		1	Body ●	16:5		4	Washer-Crush ●
5		1	Drive Gear ASM ●	16:6		1	Seal-Dust ●
6		1	Gear-Idler ●	16:7		1	Plate-Front ●
7		1	Gear-Idler ●	16:8		2	Washer ●
8	94-3015	1	Seal Kit	26		1	Key ●
8:1		3	Gasket-Back Up ●	28		1	Body ●
8:2		3	Seal-Balance ●	29		1	Gear-Idler ●
8:3	49-2640	1	Seal-Shaft	44		1	Gear ●
8:4	60-5890	1	Washer	45		1	Key ●
8:5		6	Seal-Dust ●	48		1	Plate-Adaptor ●
8:6		1	Plug ●	49		1	Gear ●
8:8		3	Plate-Wear ●	53	94-3013	1	Plug
8:9		4	Washer ●	53:1		1	Seal-Dust ●
13	105-9849	8	Capscrew	58	107-1970	1	Valve-Proportional
15		1	Plate-Adaptor ●	65		1	Plate-Thrust ●

● Not serviced separately

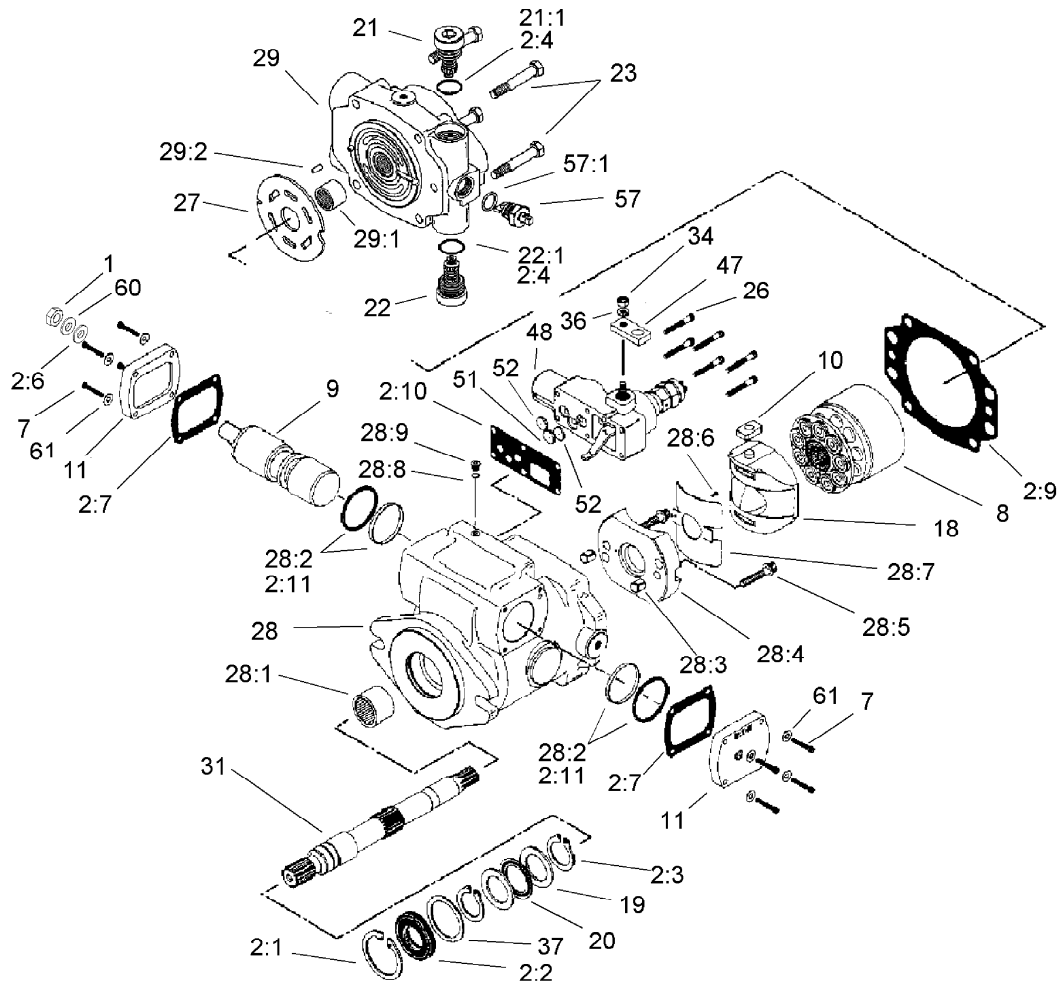


## Piston Pump Assembly No. 105-9846

Ref.	Part Number	Qty.	Description	Ref.	Part Number	Qty.	Description
1	3220-2	1	Nut-Jam	22:1		1	Seal-Dust ■
2	107-1561	1	Seal Kit	23	323-45	4	Screw-HH
2:1	60-6260	1	Ring	26	3274-59	6	Screw-HSH
2:2	105-3331	1	Seal-Shaft	27	105-9854	1	Plate-Valve
2:3	76-7000	2	Ring-Retaining	28	105-9855	1	Housing ASM
2:4		2	Seal-Dust ■	28:1		1	Bearing ■
2:5	93-6314	2	O-Ring ●	28:2		2	Seal ASM ■
2:6	94-3027	1	Washer-Seal	28:3		2	Dowel-Bushing ■
2:7	93-6339	2	Gasket	28:4		1	Cradle ASM ■
2:8	105-2905	1	O-Ring ●	28:5		2	Screw ■
2:9	105-2900	1	Gasket-Housing	28:6		1	Screw ■
2:10	105-2901	1	Gasket-Housing, Control	28:7		1	Bushing ■
2:11		2	Seal ASM ■	28:8		1	Seal-Dust ■
2:12	74-9380	1	O-Ring ●	28:9		1	Plug ■
7	3274-81	8	Screw-HSH	29	105-9856	1	Backplate ASM
8	105-9851	1	Rotating Kit	29:1		1	Bearing ■
9	105-4572	1	Servo Piston ASM	29:2		1	Pin-Roll ■
10	94-3032	1	Follower-Piston	31	105-2861	1	Shaft-Drive
11	105-9853	1	Plate-Cover	34	3217-5	1	Nut-Hex
18	94-3026	1	Camplate ASM	36	3253-3	1	Washer-Lock
19	76-6950	2	Race-Thrust	37	60-6240	1	Washer
20	76-6960	1	Bearing-Thrust	47	94-3031	1	Arm-Control
21	105-2857	1	Valve-Relief	48	93-6306	1	Control ASM
21:1		1	Seal-Dust ■	51	105-2909	1	Orifice-Control, .036 Dia
22	105-2857	1	Valve-Relief	52	94-3041	2	Orifice-Control (.028 Dia)

● Not illustrated

■ Not serviced separately

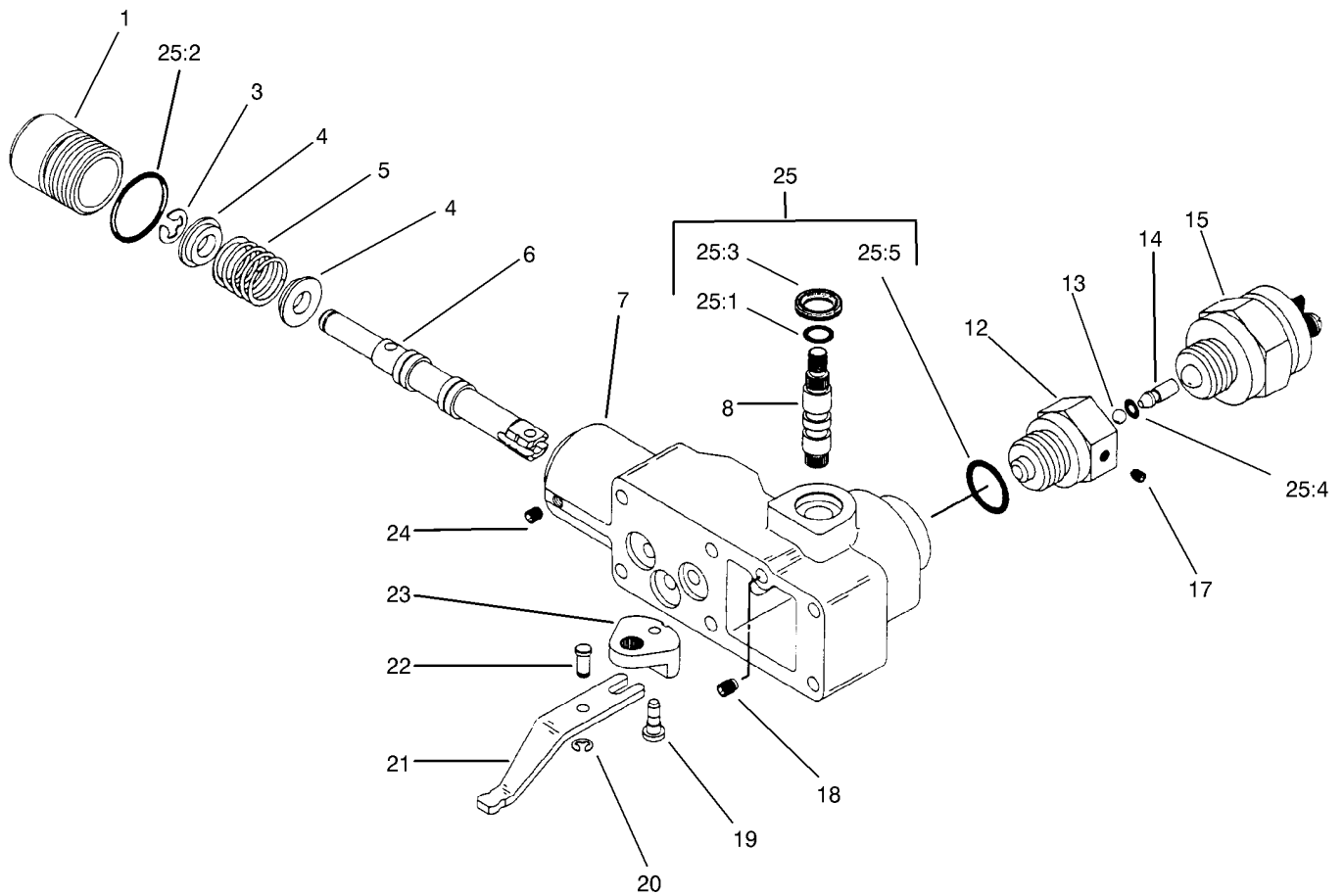


## Piston Pump Assembly No. 105-9846 (continued)

Ref.	Part Number	Qty.	Description	Ref.	Part Number	Qty.	Description
57	105-2864	1	Valve-Bypass	60	94-3030	1	Washer
57:1		1	Seal-Dust ■	61	3256-77	8	Washer-Flat

● Not illustrated

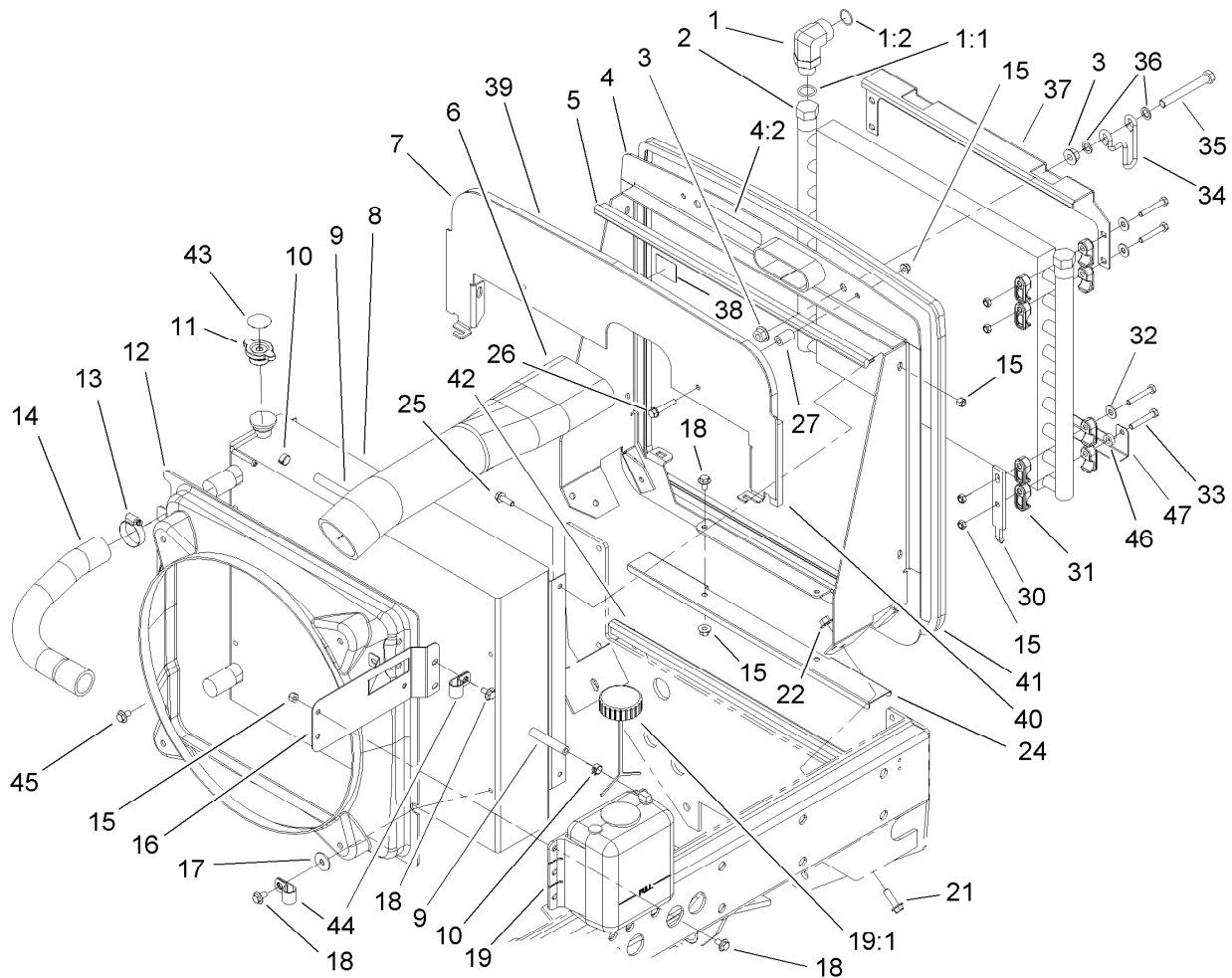
■ Not serviced separately



## Control Assembly No. 93-6306

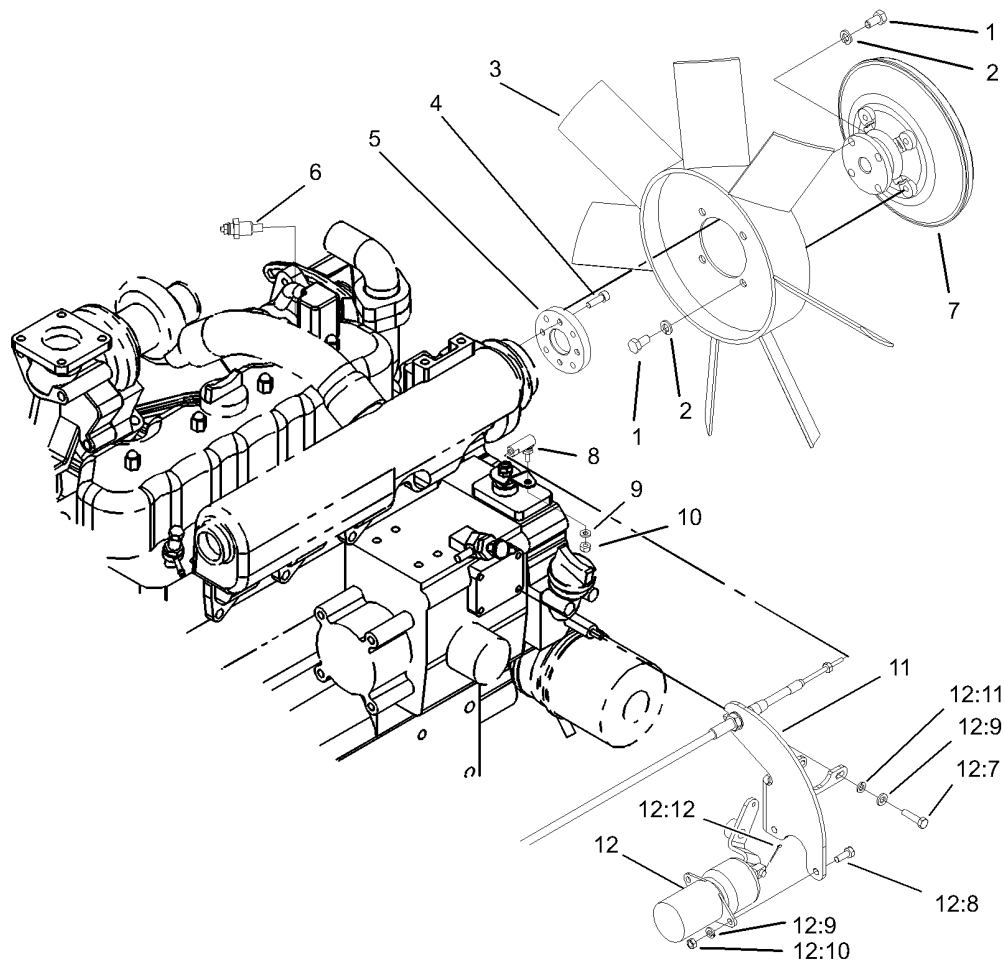
Ref.	Part Number	Qty.	Description	Ref.	Part Number	Qty.	Description
1		1	Plug ●	19		1	Pin ●
3		1	Ring-Retaining ●	20		1	Ring-Retaining ●
4		2	Retainer-Spring ●	21		1	Link ●
5		1	Spring ●	22		1	Pin-Dowel ●
6		1	Valve-Spool ●	23		1	Crank-Bell ●
7		1	Housing-Control ●	24		1	Screw-Set ●
8		1	Shaft-Input ●	25	94-3044	1	Seal Kit
12		1	Adaptor ●	25:1		1	Seal-Dust ●
13		1	Ball ●	25:2		1	Seal-Dust ●
14		1	Pin ●	25:3		1	Seal-Wiper ●
15	94-3043	1	Switch-Safety, Neutral	25:4		1	Seal-Dust ●
17		1	Screw-Set ●	25:5		1	Seal-Dust ●
18		1	Screw-Set ●				

● Not serviced separately



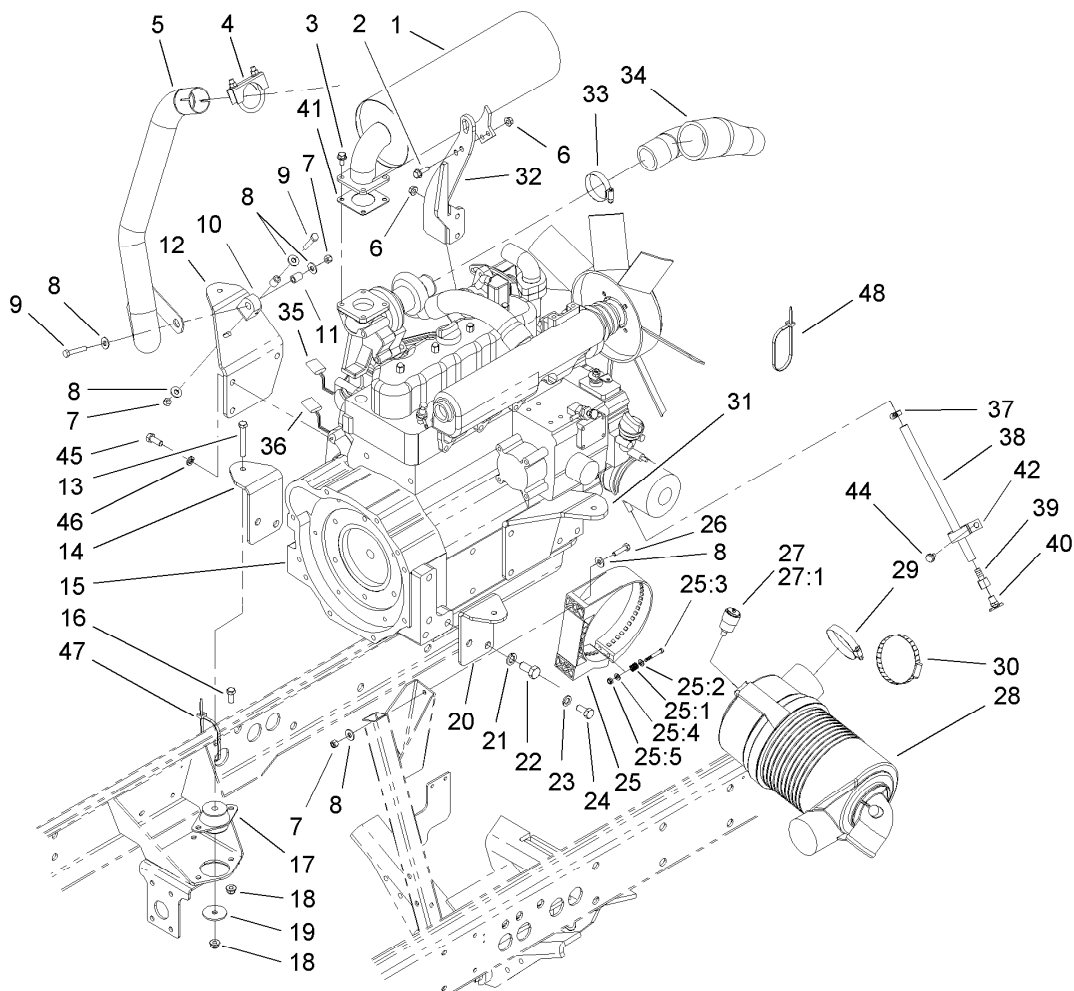
## Radiator Assembly

<i>Ref.</i>	<i>Part Number</i>	<i>Qty.</i>	<i>Description</i>	<i>Ref.</i>	<i>Part Number</i>	<i>Qty.</i>	<i>Description</i>
1	104-3796	2	Fitting-HYD, 90 DEG	22	32128-43	4	Nut-Flange
1:1	237-81	1	O-Ring	24	104-5426-03	1	Cover-Bottom
1:2	340-65	1	O-Ring	25	3234-17	4	Screw-HHF
2	108-4008	1	Cooler-Oil	26	94-5780	2	Screw-HWH
3	32128-49	4	Nut-HHF	27	93-6981	2	Spacer
4	105-3994	1	Bracket-Radiator	30	104-5460-03	2	Plate-Mount, Oil Cooler
4:2	93-7272	1	Decal-Warning	31	105-3943	16	Clamp-Cooler, Oil
5	104-2223	1	Seal-Bulb	32	3256-23	12	Washer-Flat
6	100-5550	1	Hose-Cleaner, Air	33	322-10	8	Screw-HH
7	105-3934-03	1	Bracket-Seal, Hood	34	104-5429	2	Clamp-Form, Wire
8	107-0244	1	Radiator	35	325-17	2	Screw-HH
9	71-3370	2	Hose	36	41-8440	4	Washer
10	92-2379	3	Clamp-Hose	37	104-5428-03	1	Bracket-Oil Cooler, Top
11	93-5957	1	Cap-Radiator	38	93-7275	1	Decal-Fluid, Starting
12	99-5428	1	Shroud-Radiator	39	105-9233	1	Seal-Foam
13	2412-111	4	Clamp	40	105-9236	2	Seal-Foam
14	100-5547	2	Hose-Radiator	41	105-9814	1	Seal-Bulb
15	104-8300	19	Nut-Flange, NI	42	105-9858	1	Seal-Bulb
16	100-5505-03	1	Bracket-Tank	43	106-6755	1	Decal-Cap, Radiator
17	99-2900	4	Washer-Flat	44	2412-81	2	Clamp-R
18	3234-7	9	Screw-HHF	45	3234-28	2	Screw-HHF
19	104-2276	1	Reservoir-Coolant	46	104-1156	2	Spacer
19:1	87-7050	1	Cap-Reservoir	47	108-4019-03	1	Bracket-Cooler, Oil
21	3234-11	4	Screw-HHF				



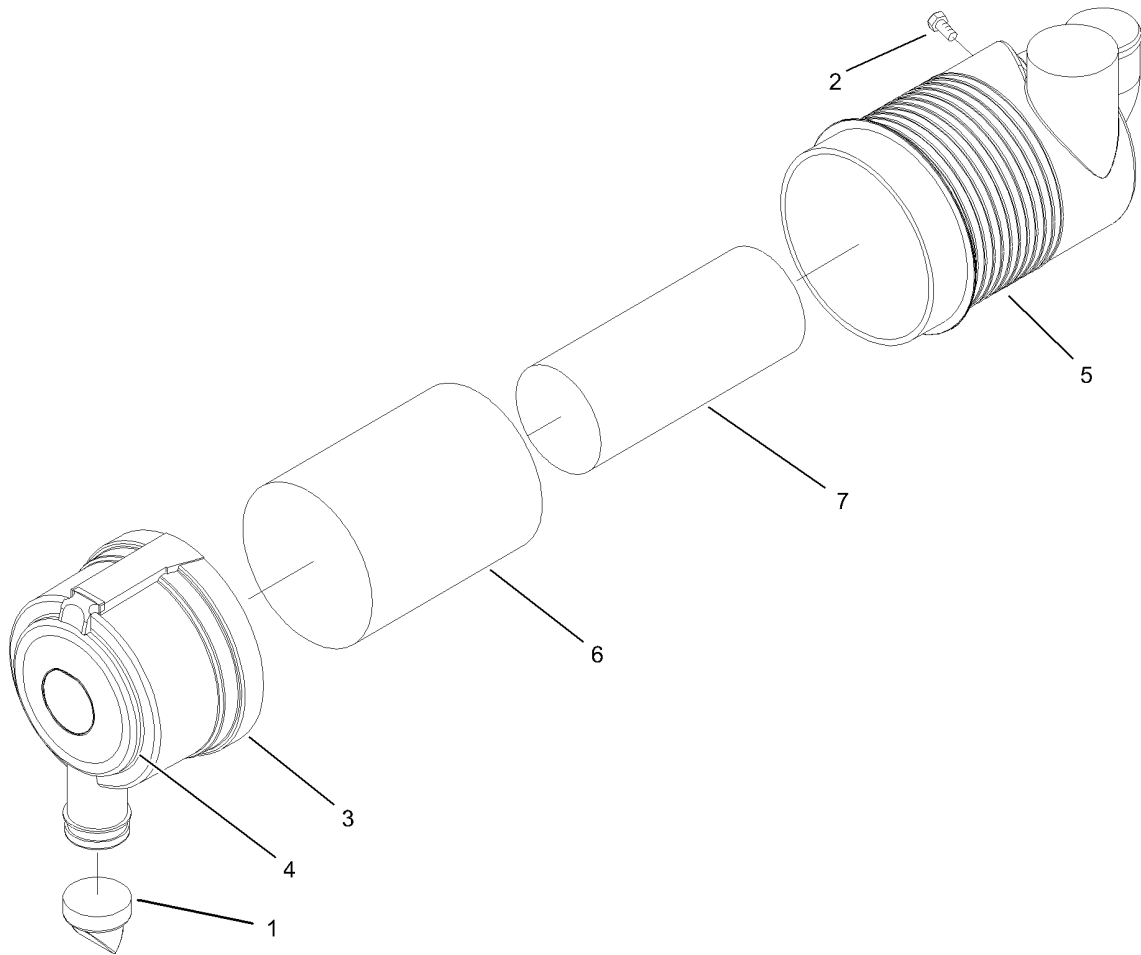
## Fan and Solenoid Assembly

<i>Ref.</i>	<i>Part Number</i>	<i>Qty.</i>	<i>Description</i>
1	322-2	8	Screw-HH
2	3253-4	8	Washer-Lock
3	105-0750	1	Fan
4	52-6290	4	Screw-HSH
5	100-3066	1	Adapter-Fan
6	98-9346	1	Sender-Temperature
7	104-2212	1	Clutch-Fan
8	2411-38	1	Joint-Ball
9	3256-51	1	Washer-Flat
10	3296-21	1	Nut-Lock, NI
11	104-7540-03	1	Support-Cable
12	98-3817	1	Solenoid Kit
12:7	33113-025	3	Screw-HH
12:8	33113-016	2	Screw-HH
12:9	48-8020	5	Washer-Spring
12:10	33013-00	2	Nut-Hex
12:11	33093-00	3	Washer-Flat
12:12	3272-2	1	Pin-Cotter



## Engine Installation Assembly

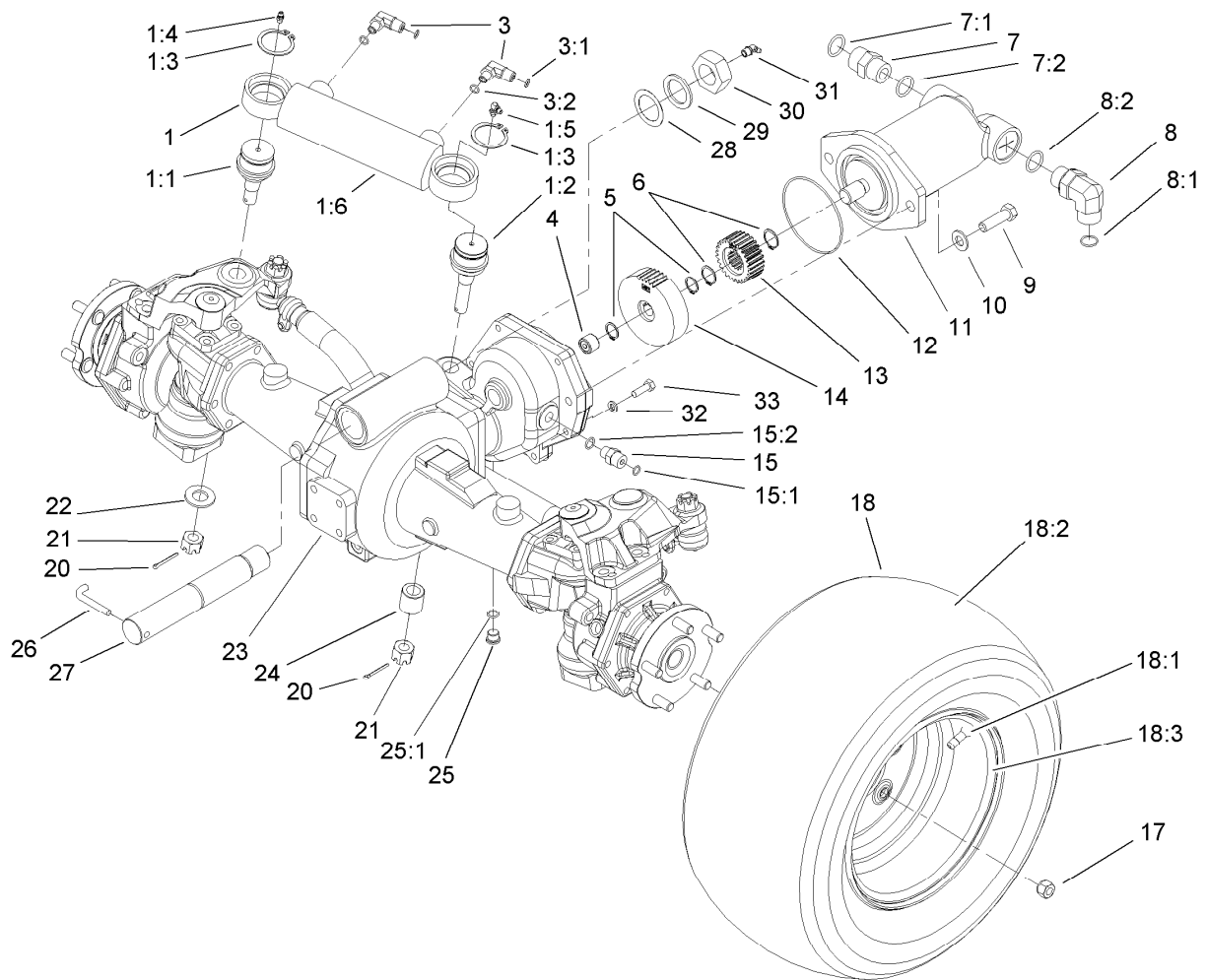
Ref.	Part Number	Qty.	Description	Ref.	Part Number	Qty.	Description
1	99-5424	1	Muffler-Turbo	25:3	33113-050	2	Screw-HH
2	33104-025	2	Screw-HHF	25:4	33093-00	2	Washer-Flat
3	33104-016	4	Screw-HHF	25:5	33023-00	2	Nut-Lock
4	18-2130	1	Clamp ASM	26	322-6	2	Screw-HH
5	104-5461	1	Pipe-Exhaust	27	104-3563	1	Indicator
6	33004-00	4	Nut-HF	27:1	94-1416	1	Indicator Adapter ASM
7	3296-29	4	Nut-Lock, NI	28	99-5410	1	Cleaner-Air
8	3256-3	8	Washer-Flat	29	2412-125	1	Clamp-Hose
9	322-9	2	Screw-HH	30	2412-110	1	Clamp-Hose
10	95-5622	1	Hanger-Rubber	31	106-2049-03	1	Mount-Engine, LH
11	93-5023	2	Spacer	32	99-5421-03	1	Bracket-Mounting
12	106-2048-03	1	Mount-Engine, RH	33	2412-92	1	Clamp-Hose
13	323-13	4	Screw-HH	34	99-5415	1	Hose-Cleaner, Air
14	100-3148-03	1	Mount-Engine, RH	35	99-3441	1	Harness-Wire, Fusible Link
15	107-4302	1	Engine-Turbo, Kubota	36	105-9869	1	Harness-Wire, Engine
16	3234-11	10	Screw-HHF	37	2412-108	2	Clamp-Worm
17	53-9682	4	Mount-Engine-Green	38	99-7376	1	Hose-Breather
18	104-8301	14	Nut-Flange, NI	39	354-94	1	Fitting-Female, Barbed
19	63-7400	4	Washer-Rebound	40	93-5528	1	Fitting-Cock, Drain
20	100-3147-03	1	Mount-Engine, LH	41	100-9333	1	Gasket-Muffler
21	43-5950	4	Washer-Lock, Spring	42	2412-150	1	Clip-J
22	43-3210	4	Screw-HH	44	32144-14	1	Screw-HWHTF
23	48-8070	5	Washer-Lock	45	43-0090	1	Screw-HH
24	42-9250	5	Bolt	46	48-9590	1	Washer-Lock
25	99-5414	1	Strap-Cleaner, Air	47	3290-378	3	Tie-Cable
25:1	108-1512	2	Spring	48	3290-379	2	Tie-Cable
25:2	3256-22	2	Washer-Flat				



## Air Cleaner Assembly No. 99-5410

<i>Ref.</i>	<i>Part Number</i>	<i>Qty.</i>	<i>Description</i>
1	104-4258	1	Valve-Vacuator
2		1	Plug-Pipe ●
3	104-4259	1	Cover ASM
4		1	Marking ●
5		1	Body ASM ●
6	108-3814	1	Filter-Air
7	108-3816	1	Filter-Air

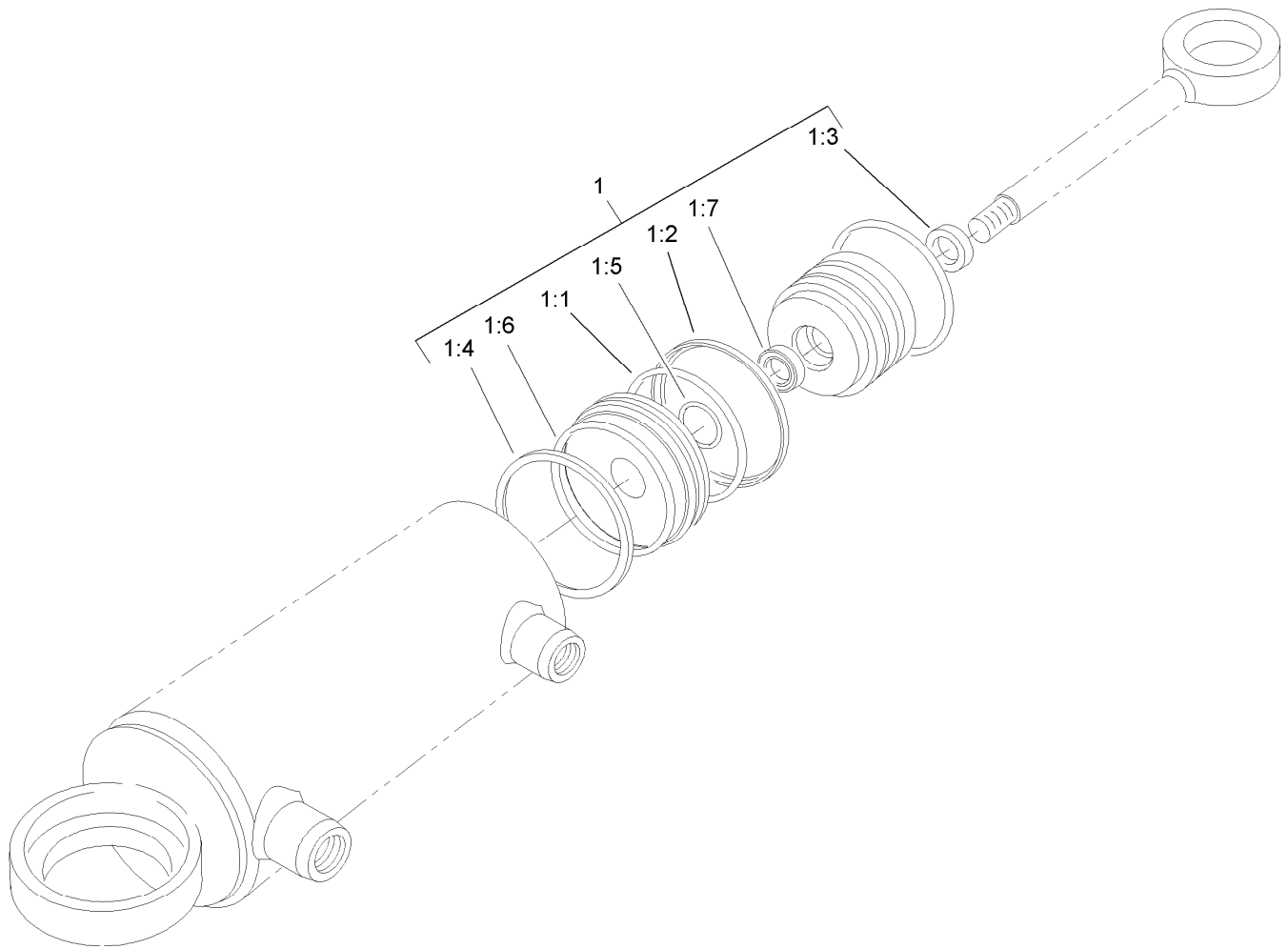
● Not serviced separately



## Rear Axle Assembly

Ref.	Part Number	Qty.	Description	Ref.	Part Number	Qty.	Description
1	105-9861	1	Steering Cylinder ASM	14	100-3053	1	Gear-45 Tooth
1:1	106-6774	1	Joint-Ball	15	340-2	1	Fitting-HYD, Straight
1:2	100-3795	1	Joint-Ball	15:1	237-22	1	O-Ring
1:3	32151-104	2	Ring-Retaining, External	15:2	237-42	1	O-Ring
1:4	302-5	1	Fitting-Grease	17	93-5268	10	Nut-Lug
1:5	302-60	1	Fitting-Grease	18		2	Tire And Wheel ASM ●
1:6	107-1976	1	Cylinder-Steering, HYD	18:1	232-27	1	Stem-Valve
3	340-97	2	Fitting-HYD, 90 DEG	18:2	104-0451	1	Tire-Turf, Trac
3:1	237-22	1	O-Ring	18:3	105-9219	1	Wheel
3:2	237-78	1	O-Ring	20	3272-11	2	Pin-Cotter
4	74-5700	1	Bearing-Needle, Roller	21	32136-14	2	Nut-SHH
5	32120-15	2	Ring-Snap, EXT	22	92-5836	1	Washer
6	32120-76	2	Ring-Snap, EXT	23	100-3784	1	Drive Axle ASM
7	340-9	1	Fitting-HYD, Straight	24	100-3796	1	Spacer-Joint, Ball
7:1	237-58	1	O-Ring	25	353-989	1	Plug-Hex, Hollow
7:2	237-81	1	O-Ring	25:1	237-42	1	O-Ring
8	340-142	1	Fitting-HYD, 90 DEG	26	100-3771	1	Pin-Stop
8:1	237-58	1	O-Ring	27	100-3770	1	Pin-Axle, Pivot
8:2	237-81	1	O-Ring	28	92-1765	1	Washer-Thrust
9	325-7	2	Screw-HH	29	98-3867	2	Washer-Thrust
10	3256-26	2	Washer-Flat	30	3296-68	1	Nut-Lock, NI
11	105-1219	1	HYD Motor ASM	31	302-33	1	Fitting-Grease
12	237-166	1	O-Ring	32	3253-4	6	Washer-Lock
13	104-0755	1	Pinion-27 Tooth	33	33114-025	6	Screw-HH

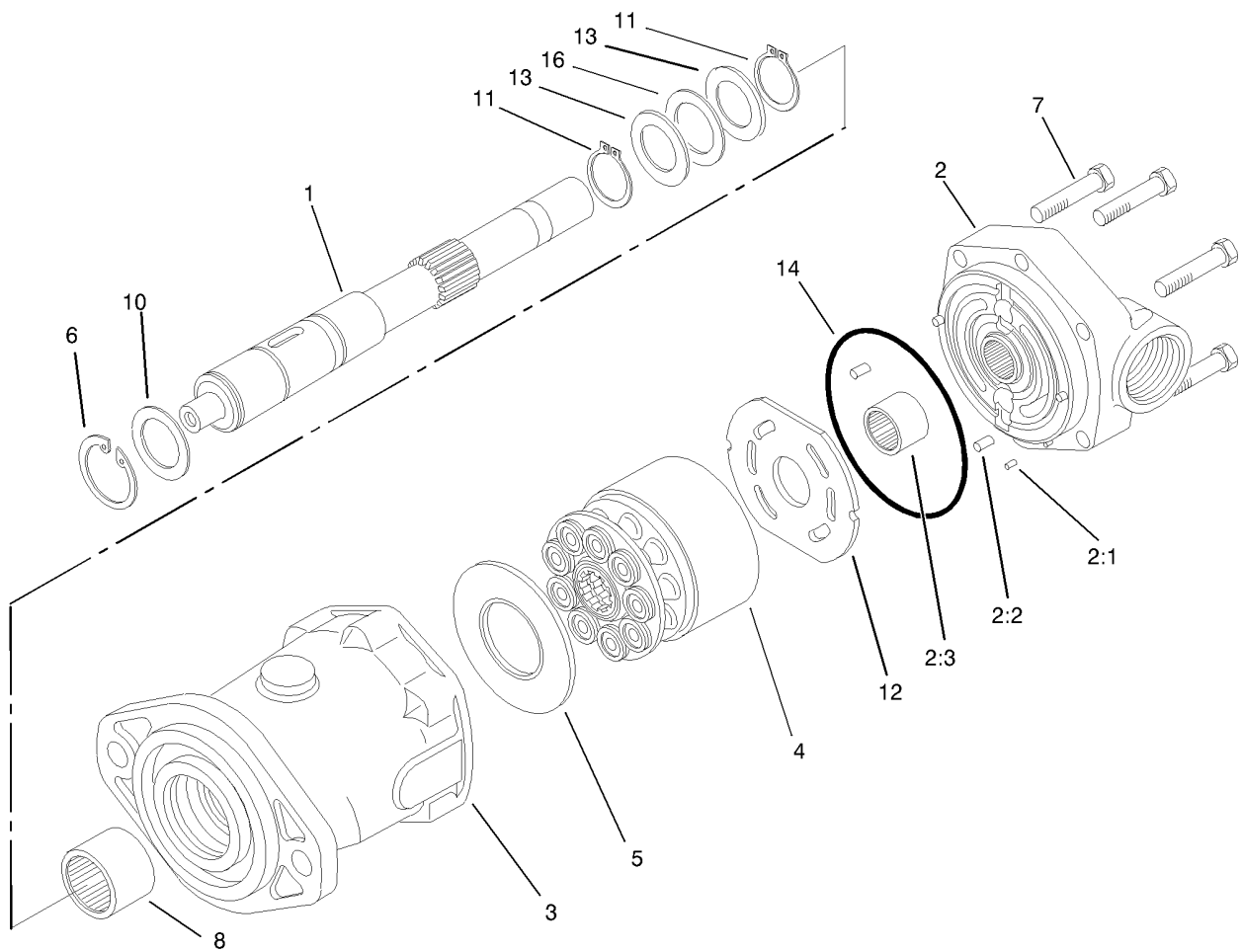
● Not serviced separately



## Hydraulic Cylinder Assembly No. 107-1976

<i>Ref.</i>	<i>Part Number</i>	<i>Qty.</i>	<i>Description</i>
1	107-0245	1	Seal Kit
1:1		1	Seal-Dust ●
1:2		1	Back-Up ●
1:3		1	Wiper ●
1:4		1	Seal ASM ●
1:5		1	Seal-Dust ●
1:6		1	Seal-Dust ●
1:7		1	Seal ASM ●

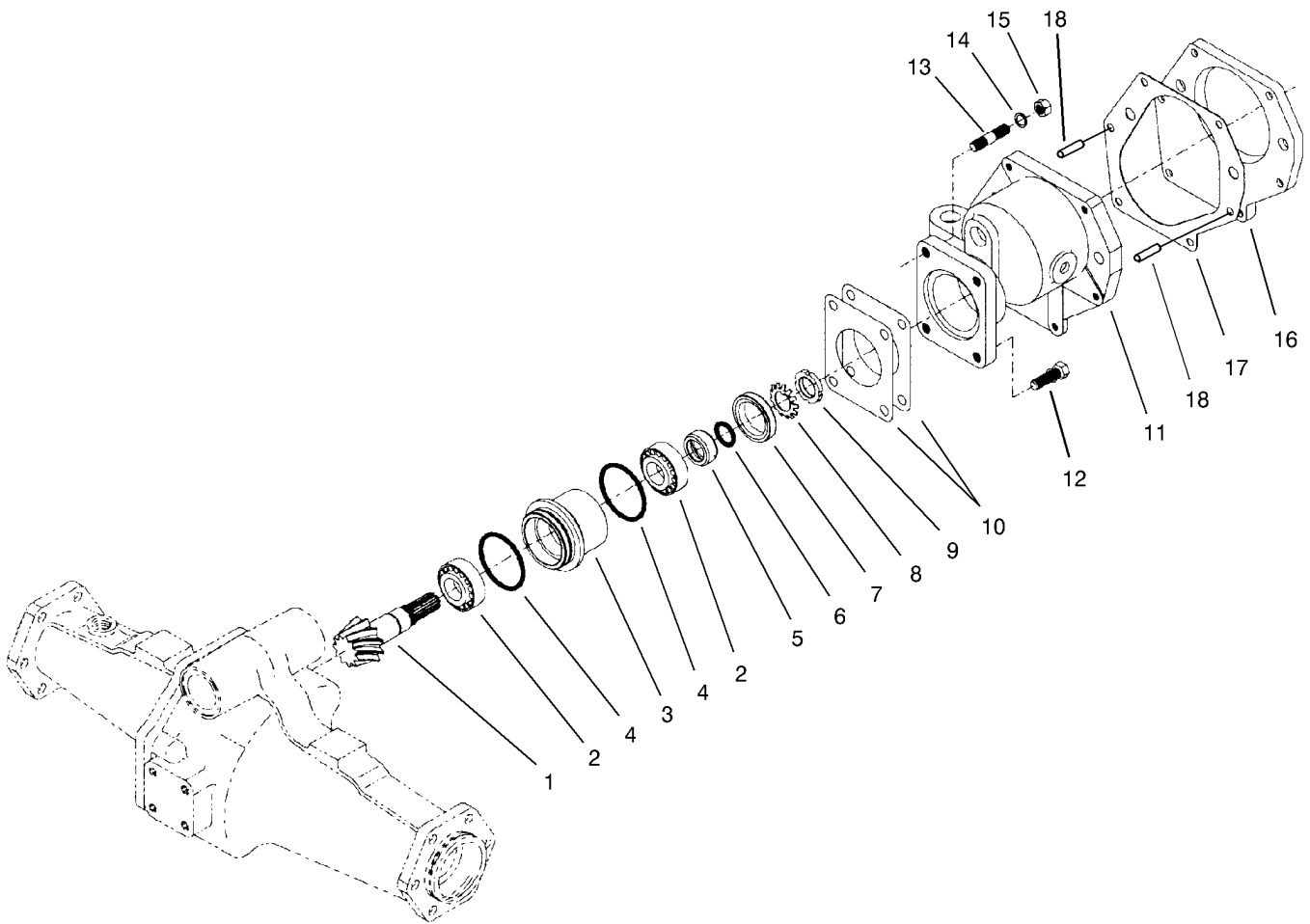
● Not serviced separately



## Piston Motor Assembly No. 105-1219

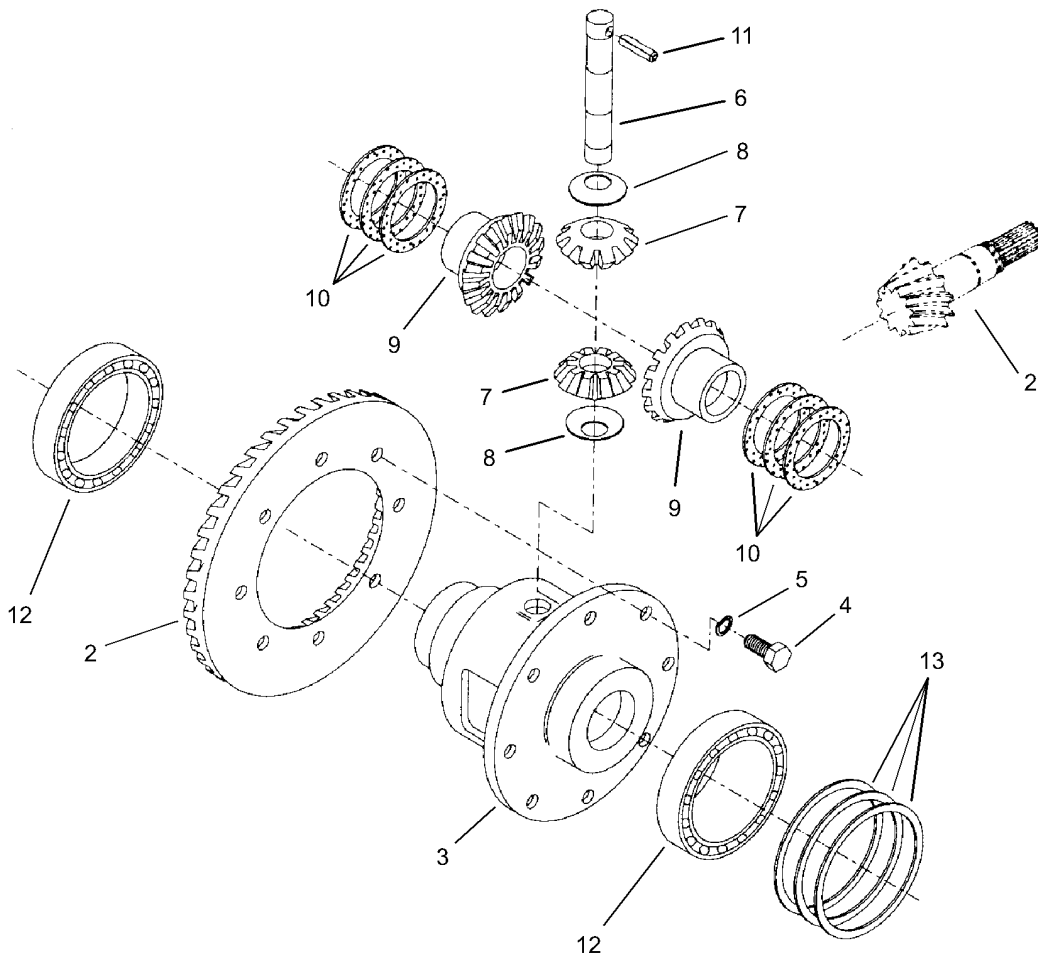
Ref.	Part Number	Qty.	Description
1	105-2853	1	Shaft-Drive
2	100-2551	1	Backplate
2:1		3	Pin-Dowel ●
2:2		1	Pin-Dowel ●
2:3		1	Bearing-Needle ●
3		1	Housing ●
4	76-6910	1	Rotating Kit
5	76-6970	1	Insert-Plate, Cam
6	60-6260	1	Ring
7	94-3002	6	Capscrew
8	63-4390	1	Bearing-Needle
10	76-7020	1	Spacer
11	76-7000	2	Ring-Retaining
12	94-3003	1	Plate-Valve
13	76-6950	2	Race-Thrust
14	76-6980	1	O-Ring
16	76-6960	1	Bearing-Thrust

● Not serviced separately



## Bevel Pinion Shaft Assembly Rear Axle Assembly No. 100-3784

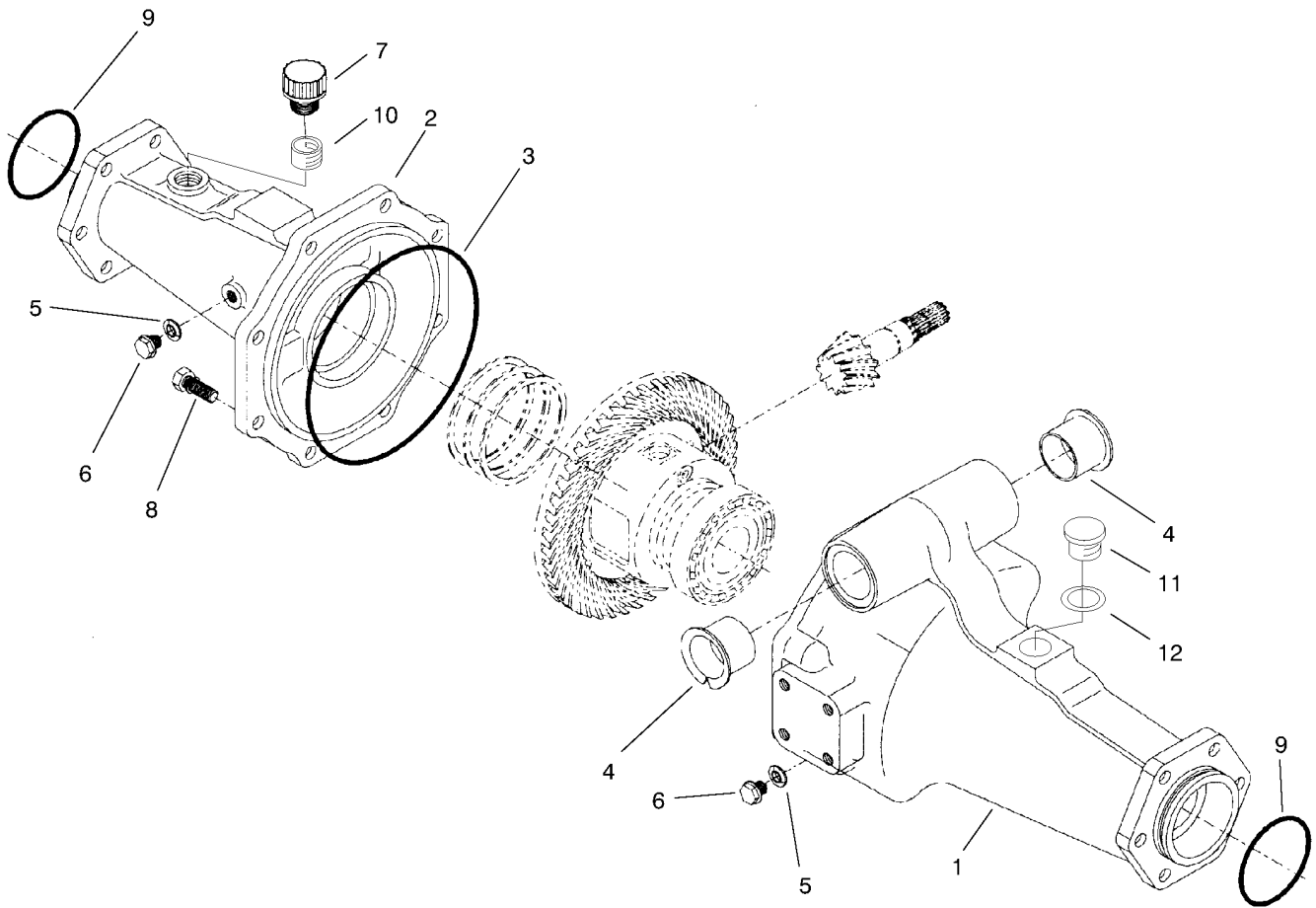
<i>Ref.</i>	<i>Part Number</i>	<i>Qty.</i>	<i>Description</i>
1	100-2555	1	Ring And Pinion Matched Set
2	99-7570	2	Bearing-Roller, Taper
3	95-7534	1	Case-Bearing
4	99-7571	2	O-Ring
5	99-7572	1	Collar-Seal, Oil
6	99-7573	1	O-Ring
7	99-7574	1	Seal-Oil
8	99-7559	1	Washer-Lock
9	99-7560	1	Nut-Lock
10	99-7550	2	Shim 0.1
10	99-7551	2	Shim 0.2
11	95-7533	1	Case-Gear
12	99-7575	2	Bolt
13	98-7735	2	Stud
14	99-7527	2	Washer-Spring
15	99-7526	2	Nut
16	95-7541	1	Plate-Cover
17	95-7540	1	Gasket
18	104-2353	2	Pin-Dowel



## Differential Assembly No. 95-7503 Rear Axle Assembly No. 100-3784

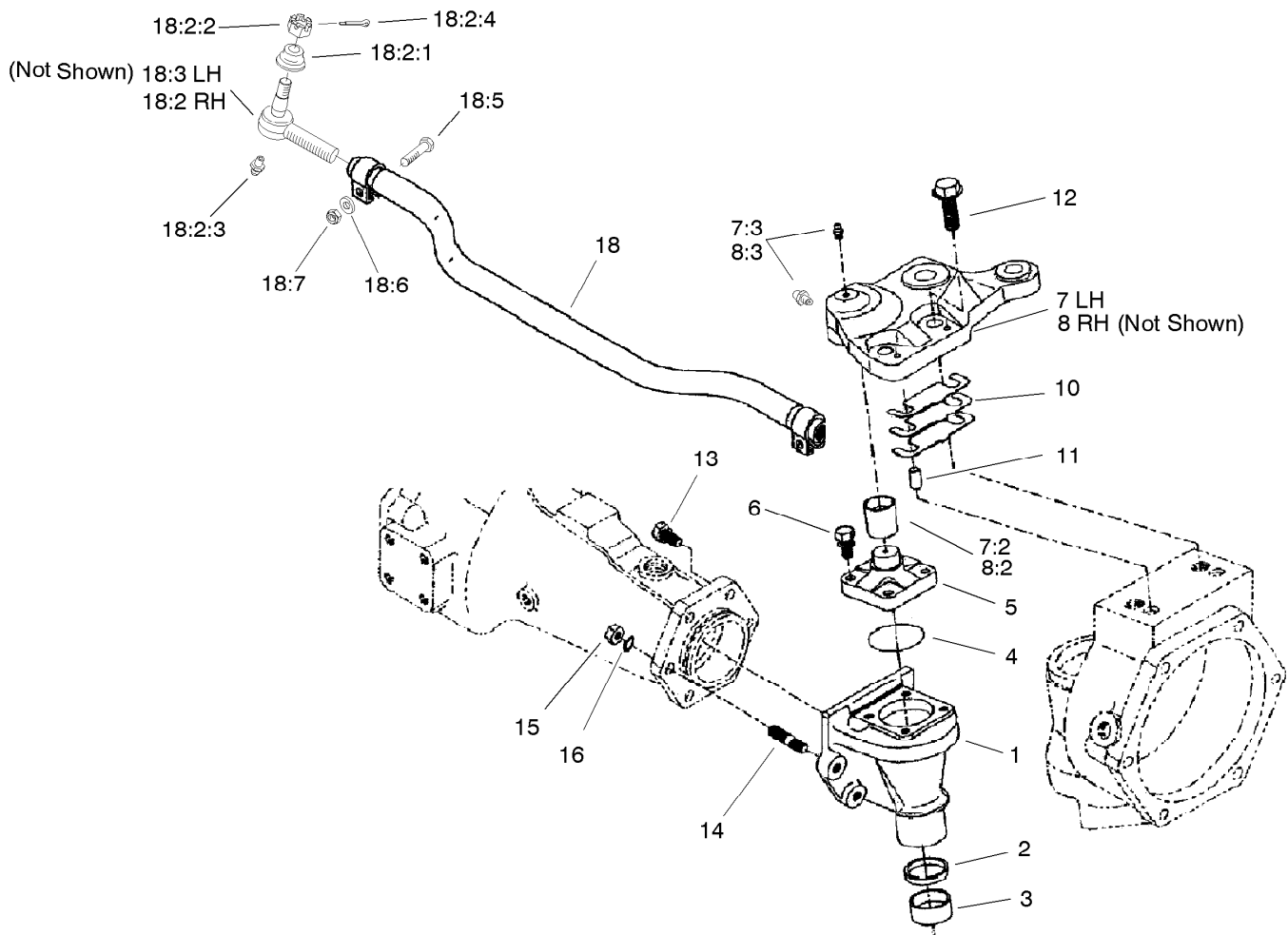
Ref.	Part Number	Qty.	Description
1	95-7503	1	Differential ASM ●
2	100-2555	1	Ring And Pinion Matched Set
3	95-7502	1	Case-Differential
4	99-7576	8	Bolt
5	99-7577	8	Washer-Spring
6	99-7578	1	Shaft-Differential
7	99-7579	2	Pinion-Differential
8	99-7580	2	Washer-Differential
9	99-7581	2	Gear-Differential
10	99-7582	2	Washer-Differential
10	99-7583	2	Washer-Differential
10	99-7584	2	Washer-Differential
11	99-7588	1	Pin-Spring
12	99-7562	2	Bearing-Ball
13	99-7585	2	Shim 0.1
13	99-7586	2	Shim 0.2
13	99-7587	2	Shim 0.4

● Not illustrated



## Axle Support Assembly Rear Axle Assembly No. 100-3784

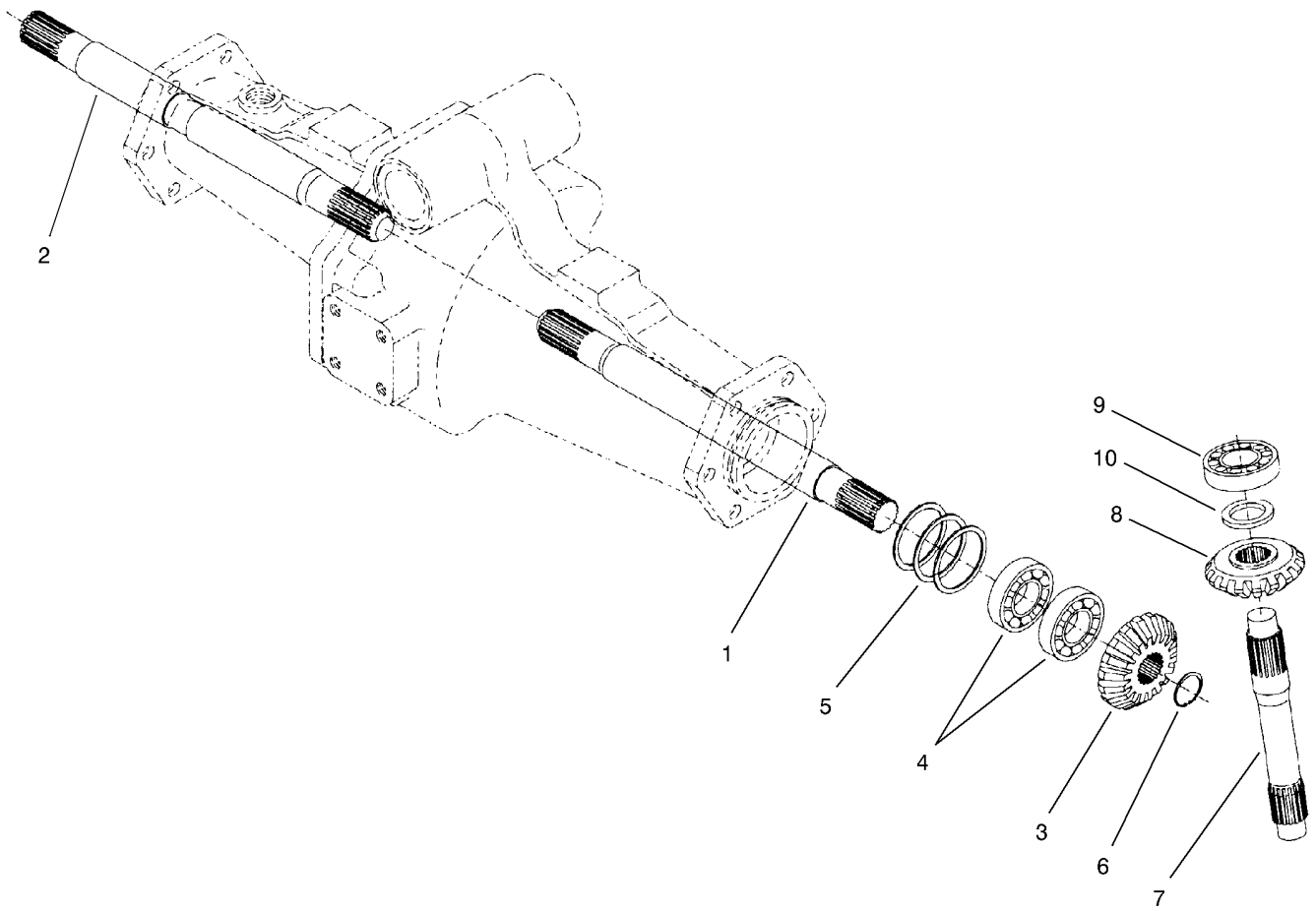
<i>Ref.</i>	<i>Part Number</i>	<i>Qty.</i>	<i>Description</i>
1	95-7508	1	Support-Axle
2	95-7506	1	Support-Axle
3	95-7507	1	O-Ring
4	95-7537	2	Bushing-Flanged
5	99-7590	2	Washer-Seal
6	99-7589	2	Plug
7	99-7591	1	Oil Plug ASM
8	99-7592	8	Bolt
9	106-1068	2	O-Ring
10	104-2377	1	Extension-Vent
11	104-8643	1	Plug
12	104-8644	1	O-Ring



## Bevel Gear Case Assembly Rear Axle Assembly No. 100-3784

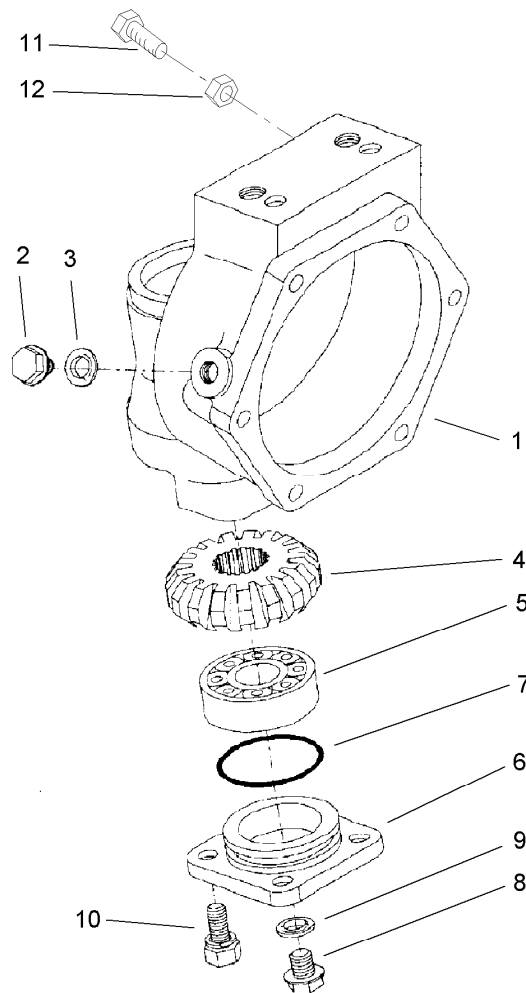
Ref.	Part Number	Qty.	Description	Ref.	Part Number	Qty.	Description
1	95-7538	2	Case-Gear, Bevel	15	99-7526	4	Nut
2	100-2557	2	Seal-Oil	16	99-7527	4	Washer-Spring
3	104-2378	2	Bushing	18	106-1111	1	Steering Tie Rod ASM
4	106-1069	2	O-Ring	18:2	106-1113	1	Tie Rod End ASM - RH Thread
5	104-2373	2	Knuckle	18:2:1	100-3853	1	Cover-Dust
6	104-2374	8	Bolt	18:2:2	100-3854	1	Nut-Castle
7	100-3768	1	LH Steering Arm ASM	18:2:3	106-1104	1	Fitting-Grease
7:2	104-8634	1	Bushing	18:2:4	3272-11	1	Pin-Cotter
7:3	106-1104	2	Fitting-Grease	18:3	106-1112	1	Tie Rod End ASM - LH Thread
8	100-3766	1	RH Steering Arm ASM	18:3:1	100-3853	1	Cover-Dust ●
8:2	104-8634	1	Bushing	18:3:2	100-3854	1	Nut-Castle ●
8:3	106-1104	2	Fitting-Grease	18:3:3	106-1104	1	Fitting-Grease ●
10	95-7547	2	Shim 0.1	18:3:4	3272-11	1	Pin-Cotter ●
10	95-7548	2	Shim 0.2	18:5	100-3855	2	Bolt
10	95-7549	2	Shim 0.3	18:6	99-7527	2	Washer-Spring
11	99-7597	4	Pin-Dowel	18:7	99-7526	2	Nut
12	104-2375	4	Bolt				
13	99-7599	8	Bolt				
14	99-7525	4	Stud				

● Not illustrated



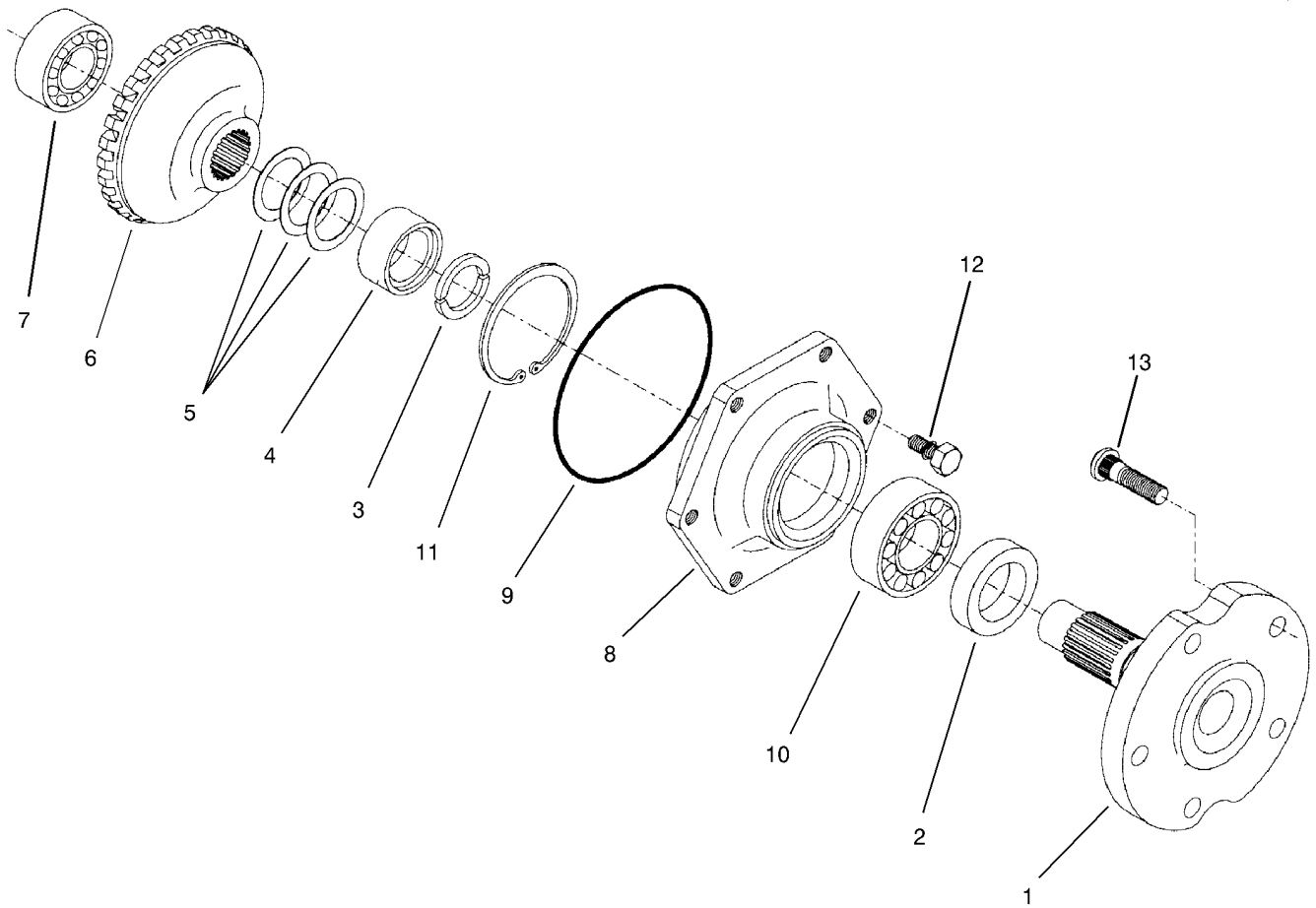
## Bevel Gear Shaft Assembly Rear Axle Assembly No. 100-3784

Ref.	Part Number	Qty.	Description
1	95-7509	1	Shaft-Gear, Differential
2	95-7512	1	Shaft-Gear, Differential
3	95-7517	2	Gear-Bevel, 15 Tooth
4	99-7530	4	Bearing-Ball
5	99-7552	2	Shim 0.1
5	99-7553	2	Shim 0.2
5	99-7554	2	Shim 0.5
6	99-7531	2	Clip
7	95-7529	2	Shaft-Gear, Bevel
8	95-7519	2	Gear-Bevel, 17 Tooth
9	99-7532	2	Bearing-Roller, Taper
10	99-7558	2	Collar



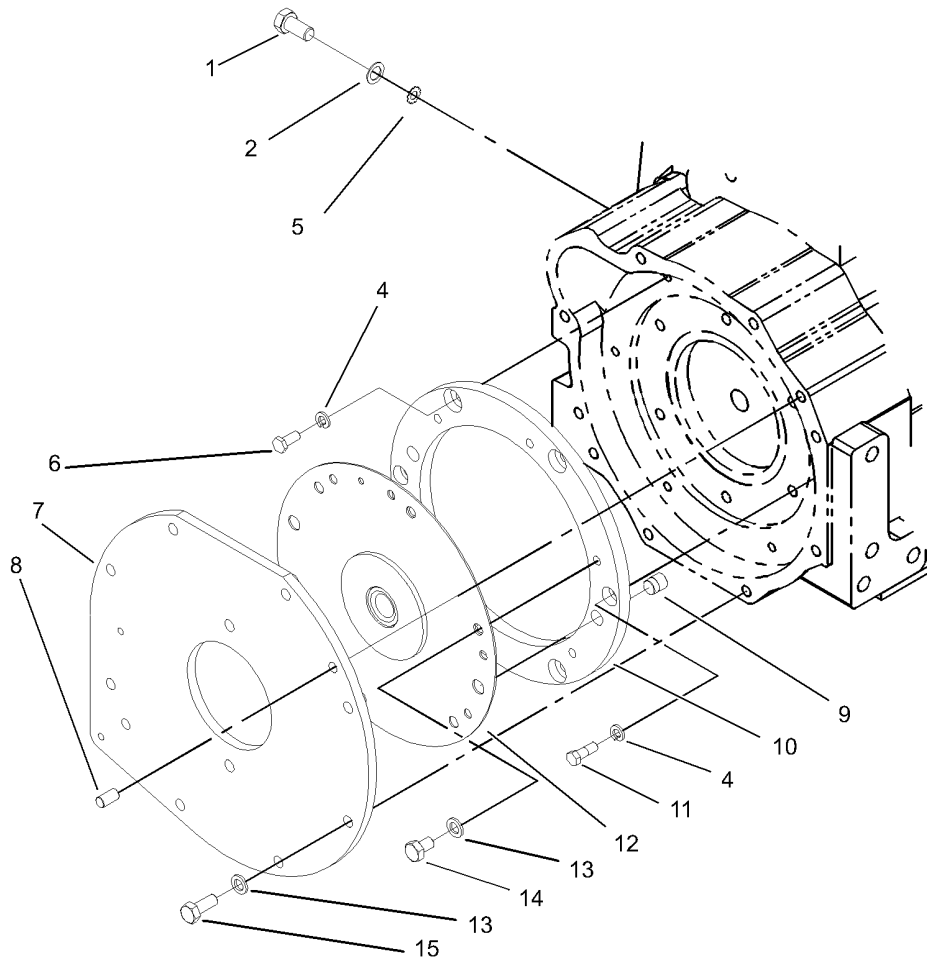
## Axle Case Assembly Rear Axle Assembly No. 100-3784

Ref.	Part Number	Qty.	Description
1	95-7531	2	Case-Axle
2	99-7535	2	Plug
3	99-7536	2	Washer-Seal
4	95-7527	2	Gear-Bevel, 17 Tooth
5	99-7532	2	Bearing-Roller, Taper
6	100-2560	2	Cover
7	100-2561	2	O-Ring
8	99-7589	2	Plug
9	99-7590	2	Washer-Seal
10	100-2562	8	Bolt
11	106-1102	2	Bolt-Stop
12	106-1103	2	Nut



## Axle Assembly Rear Axle Assembly No. 100-3784

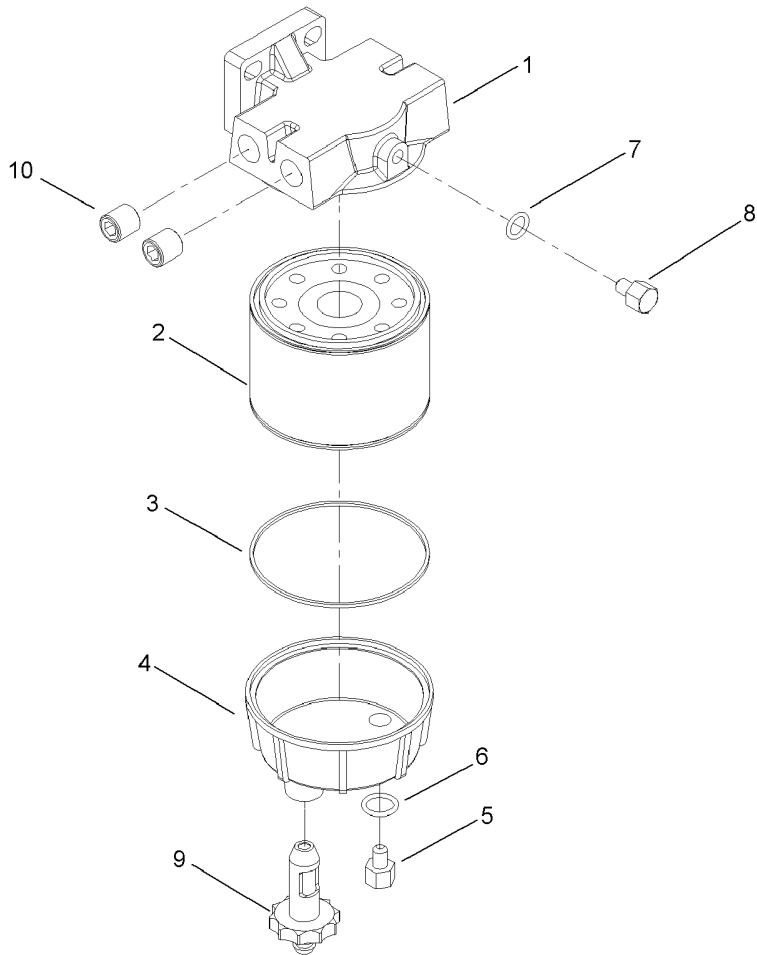
<i>Ref.</i>	<i>Part Number</i>	<i>Qty.</i>	<i>Description</i>
1	95-7522	2	Axle
2	99-7564	2	Seal-Oil
3	95-7544	4	Clip
4	95-7523	2	Spacer
5	99-7555	2	Shim 0.3
5	99-7556	2	Shim 0.2
5	99-7557	2	Shim 0.5
6	95-7524	2	Gear-Bevel, 29 Tooth
7	99-7534	2	Bearing-Ball
8	95-7521	2	Cover-Axle
9	99-7538	2	O-Ring
10	99-7561	2	Bearing-Ball
11	99-7539	2	Clip
12	99-7596	12	Bolt
13	99-7563	10	Stud



## Coupler Spacer and Adapter Plate Assembly

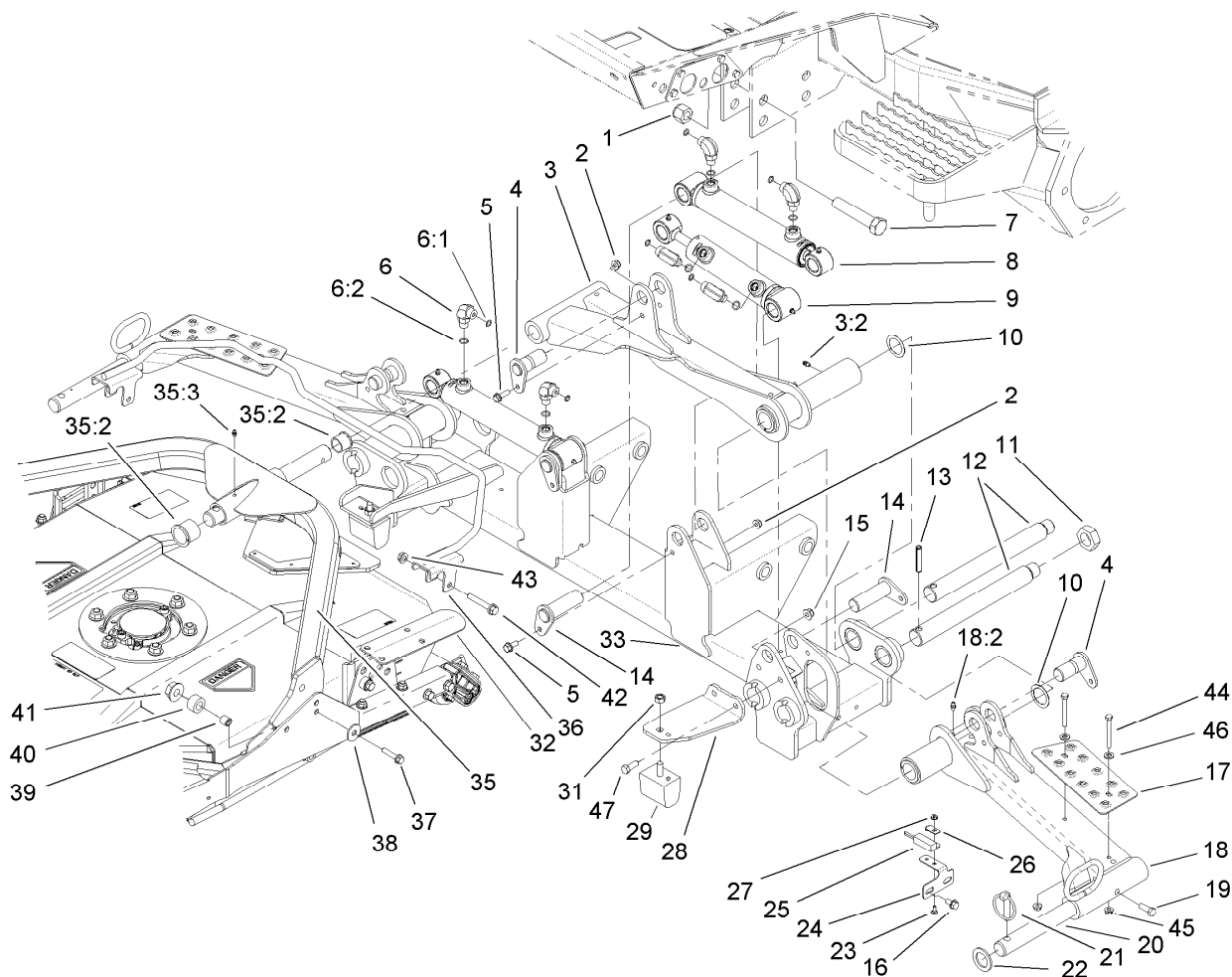
<i>Ref.</i>	<i>Part Number</i>	<i>Qty.</i>	<i>Description</i>
1	42-9250	1	Bolt
2	3255-2	1	Washer-Lock / EXT
4	42-9850	6	Washer-Lock, Spring
5	3255-9	1	Washer-Lock
6	33114-020	4	Screw-HH
7	100-5632-03	1	Plate-Adapter
8	98-1212	2	Pin-Plate, Pump
9	58-3590	2	Dowel
10	100-5633	1	Spacer-Coupling
11	100-5634	2	Bolt-Shoulder
12	92-1753	1	Coupling-Spring
13	48-9590	14	Washer-Lock
14	70-8470	6	Screw-HH
15	43-0090	8	Screw-HH





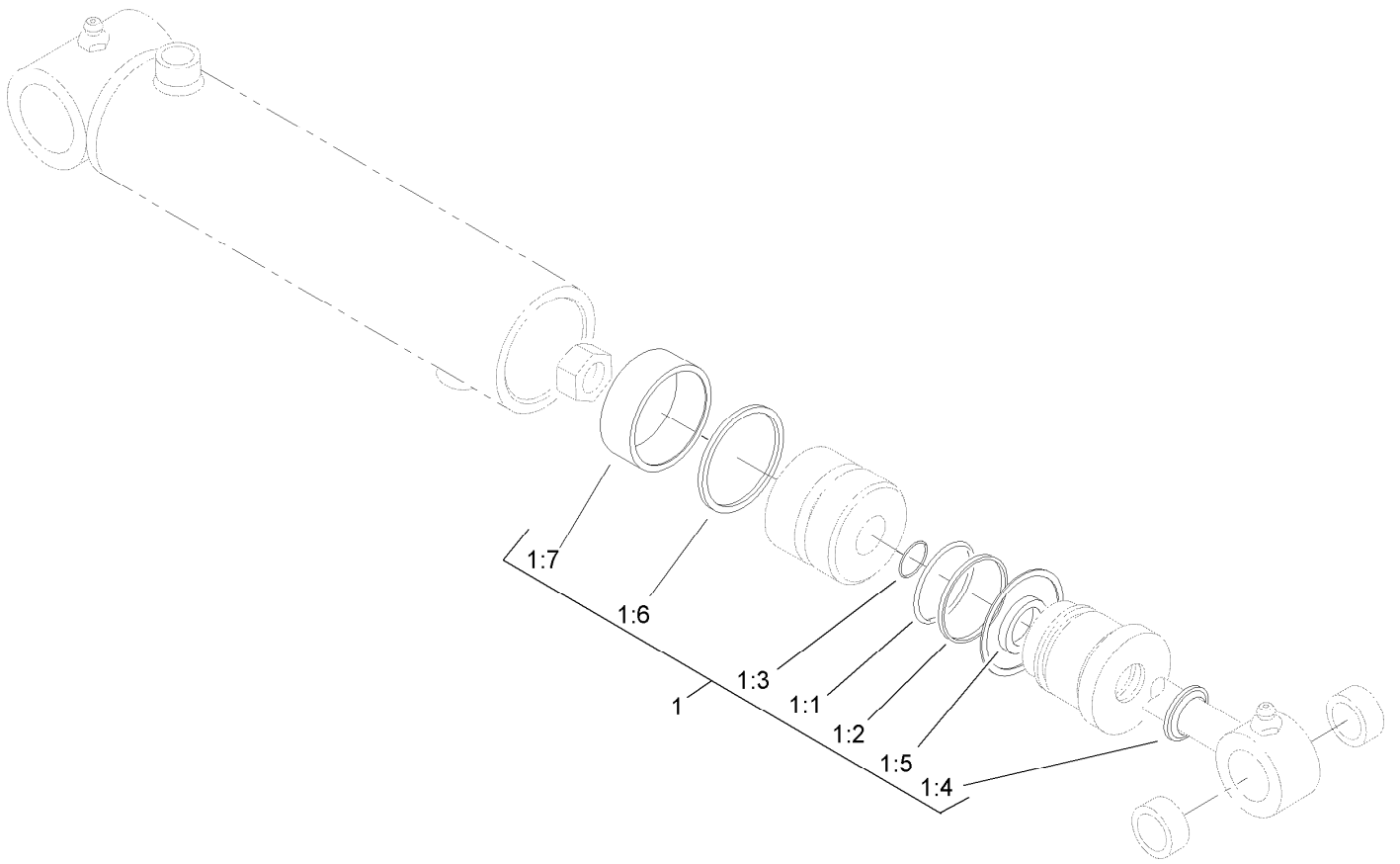
## Water / Fuel Filter Assembly No. 98-9305

<i>Ref.</i>	<i>Part Number</i>	<i>Qty.</i>	<i>Description</i>
1	98-9772	1	Head-Filter
2	98-9764	1	Element
3	98-9774	1	O-Ring
4	98-9775	1	Base-Filter
5	98-9773	1	Plug-Base, Filter
6	237-42	1	O-Ring
7	237-78	1	O-Ring
8	98-9776	1	Plug-Head, Filter
9	98-9777	1	Drain Valve ASM
10	285-22	2	Plug-Pipe



## Front Lift Arm Assembly

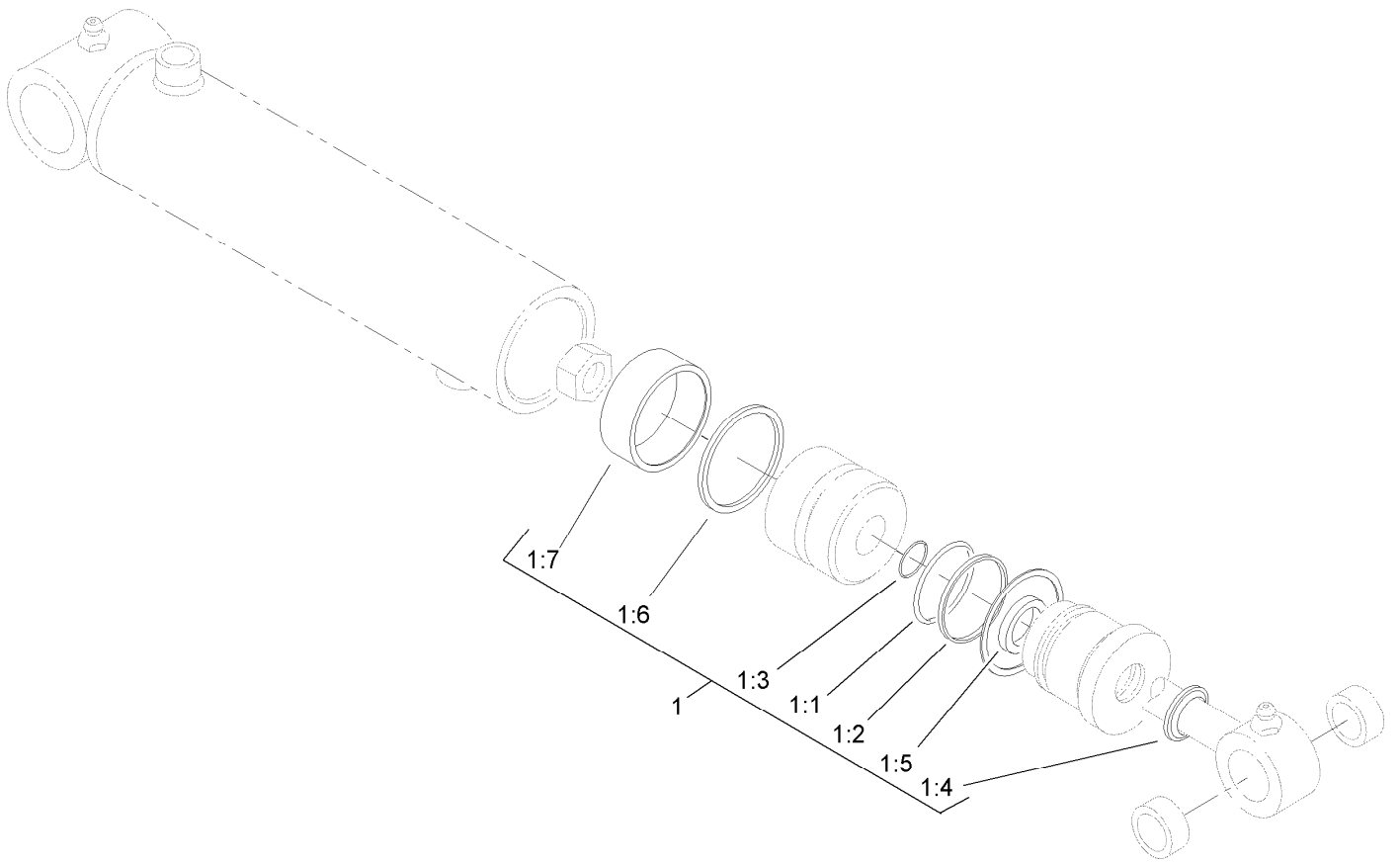
Ref.	Part Number	Qty.	Description	Ref.	Part Number	Qty.	Description
1	3296-51	4	Nut-Lock, NI	22	3-6781	3	Washer-Thrust
2	104-8300	6	Nut-Flange, NI	23	104-1450	2	Bolt-CARR
3	108-4032	1	No. 1 Liftarm ASM	24	104-5585	2	Bracket-Switch
3:2	302-60	1	Fitting-Grease	25	100-1270	2	Switch-Proximity
4	104-5525	3	Cylinder Pin ASM	26	100-4872	2	Plate-Switch, Neutral
5	3234-17	6	Screw-HHF	27	32149-7	2	Nut-Keps
6	340-77	6	Fitting-HYD, 90 DEG	28	104-5689-03	1	Bracket-Support, Bumper
6:1	237-22	1	O-Ring	29	87-3470	2	Bumper-Axle, Rear
6:2	237-42	1	O-Ring	31	33025-00	2	Nut-Lock, NI
7	328-7	4	Screw-HH	32	105-9831-03	2	Bracket-Bumper, No. 1
8	107-1979	2	Lift Cylinder ASM	33	104-5680-03	1	Frame-Carrier, Front
9	107-1980	1	Lift Cylinder ASM	35	104-5656	7	Carrier Frame ASM
10	76-2980	3	Washer-Thrust	35:2	108-4000	2	Bushing
11	3296-49	3	Nut-Lock, NI	35:3	302-5	1	Fitting-Grease
12	95-7158	3	Pin-Pivot	36	107-7803-03	6	Foot Guard ASM
13	32121-110	3	Pin-Roll, Slotted	37	3234-18	14	Screw-HHF
14	105-9889	3	Cylinder Pin ASM	38	93-8806	14	Washer-Hardened
15	104-8301	2	Nut-Flange, NI	39	105-9822	14	Spacer
16	32144-14	4	Screw-HWHTF	40	105-9823	14	Bushing-Carrier
17	105-3987-03	2	Plate-Skid	41	104-8301	14	Nut-Flange, NI
18	108-4034	1	No. 5 Liftarm ASM	42	100-2592	12	Screw-HHF
18	108-4033	1	No. 4 Liftarm ASM	43	3290-357	12	Nut-HHF, Whiz
18:2	302-5	1	Fitting-Grease	44	321-15	4	Screw-HH
19	323-6	3	Screw-HH	45	32128-33	4	Nut-HF
20	108-4023	3	Shaft-Carrier, Pivot	46	3256-23	4	Washer-Flat
21	283-71	3	Pin-Lynch	47	323-7	2	Screw-HH



## Hydraulic Cylinder Assembly No. 107-1979

<i>Ref.</i>	<i>Part Number</i>	<i>Qty.</i>	<i>Description</i>
1	107-1977	1	Seal Kit
1:1		1	Seal-Dust ●
1:2		1	Seal-Dust ●
1:3		1	Seal ASM ●
1:4		1	Back-Up ●
1:5		1	Wiper ●
1:6		1	Seal ●
1:7		1	Ring-Wear ●

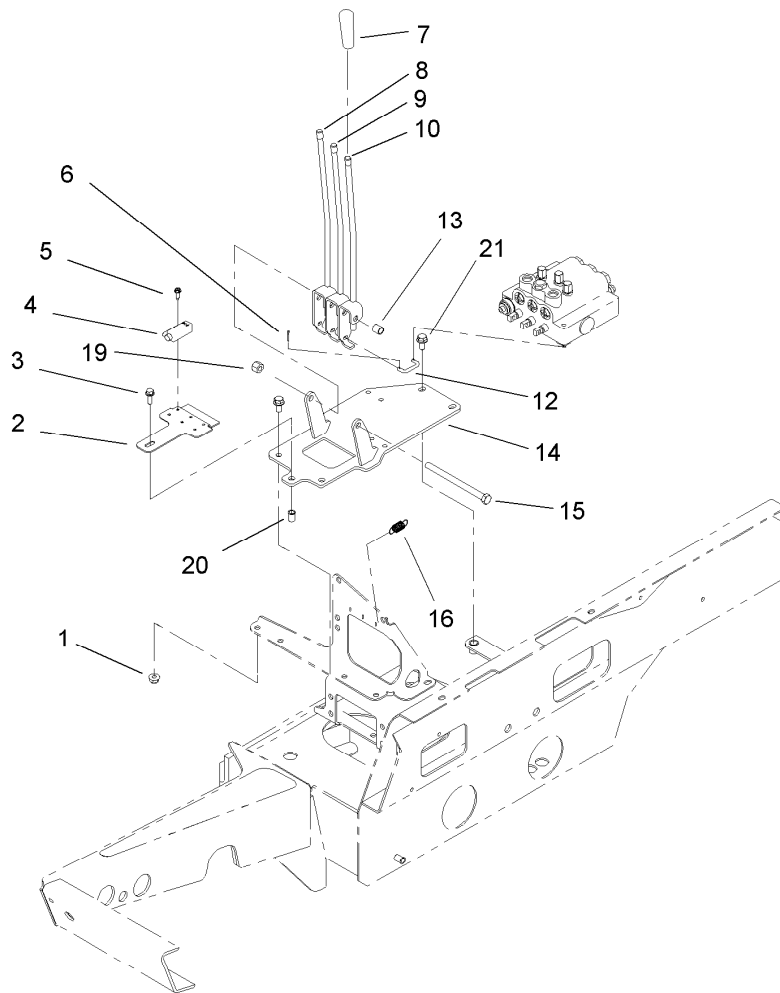
● Not serviced separately



## Hydraulic Cylinder Assembly No. 107-1980

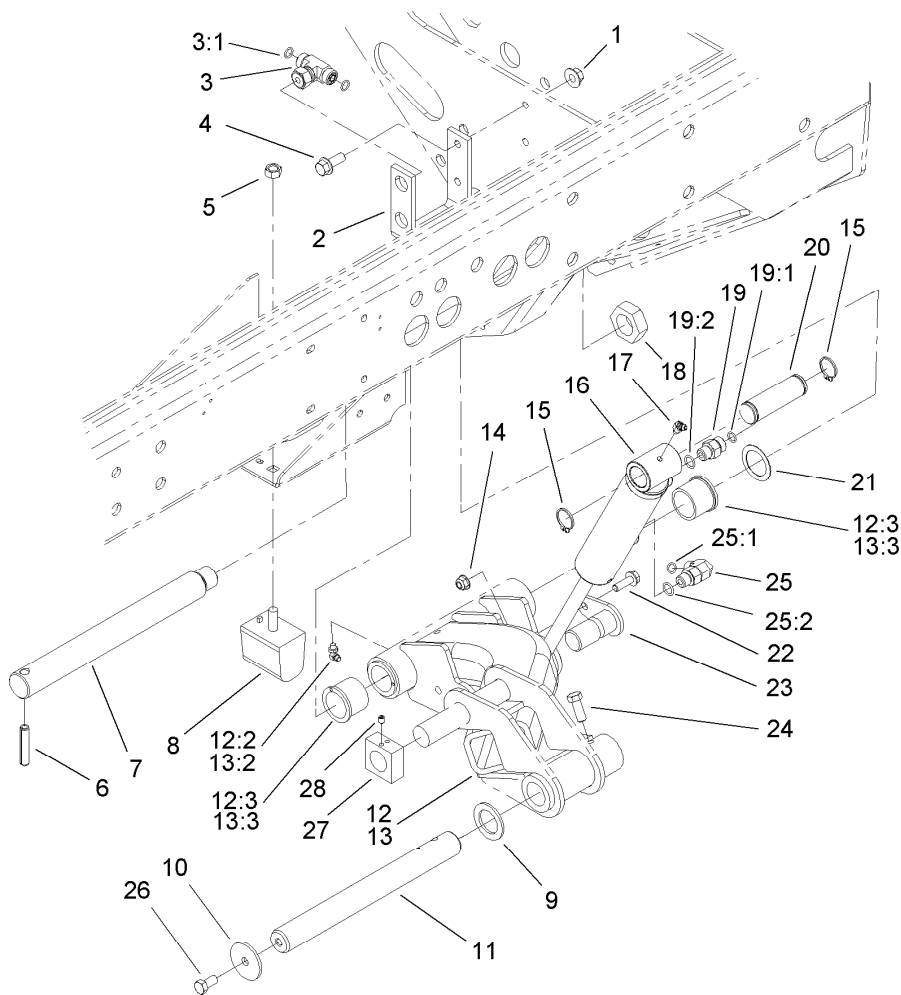
<i>Ref.</i>	<i>Part Number</i>	<i>Qty.</i>	<i>Description</i>
1	107-1977	1	Seal Kit
1:1		1	Seal-Dust ●
1:2		1	Seal-Dust ●
1:3		1	Seal ASM ●
1:4		1	Back-Up ●
1:5		1	Wiper ●
1:6		1	Seal ●
1:7		1	Ring-Wear ●

● Not serviced separately



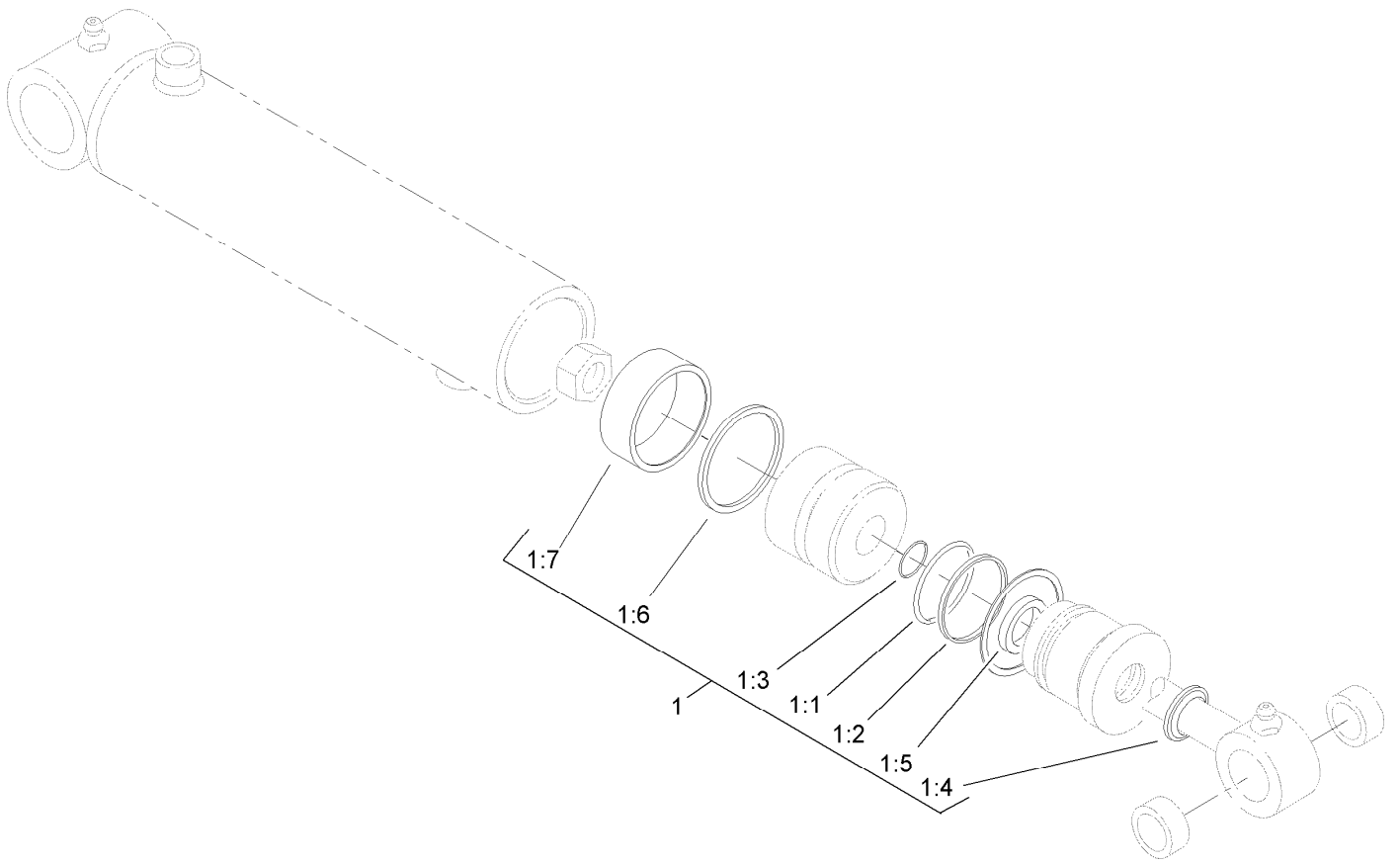
## Lift Lever Assembly

<i>Ref.</i>	<i>Part Number</i>	<i>Qty.</i>	<i>Description</i>
1	104-8300	2	Nut-Flange, NI
2	104-5530	1	Plate-Switch
3	3234-4	1	Screw-HHF
4	105-0023	3	Switch-Proximity
5	32144-19	6	Screw-SHWH
6	3272-1	6	Pin-Cotter
7	233-39	3	Knob-Control
8	104-5617	1	Right Lever ASM
9	104-5616	1	Center Lever ASM
10	104-5618	1	Left Lever ASM
12	69-9140	3	Link-Lever, Valve
13	65-9980	1	Spacer
14	104-5606-03	1	Valve Support ASM
15	323-39	1	Screw-HH
16	105-3938	3	Spring-Extension
19	3296-39	1	Nut-Lock, NI
20	32148-6	1	Insert-Nut
21	3234-14	4	Screw-HHF



## No. 2 and 3 Lift Arm Assembly

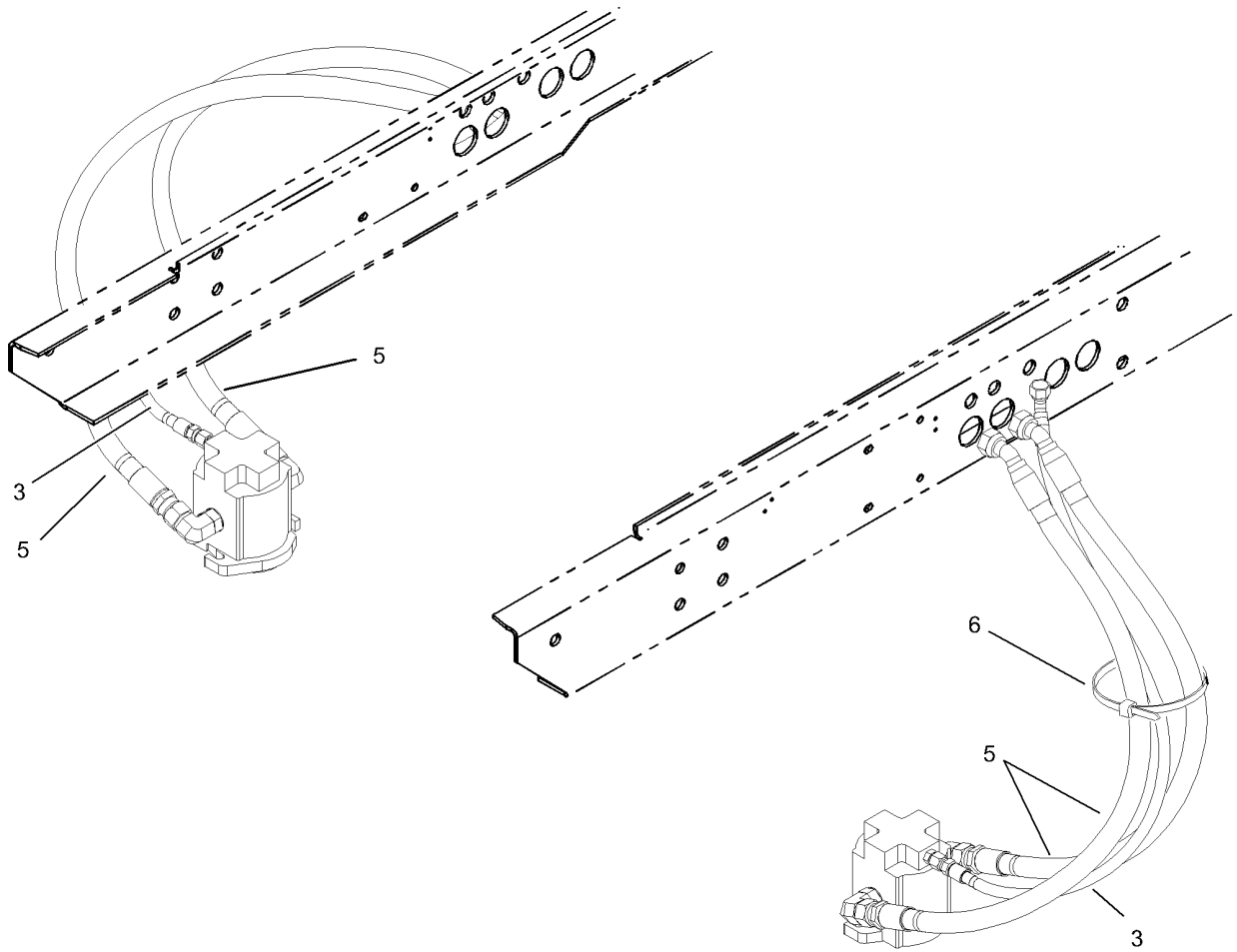
Ref.	Part Number	Qty.	Description	Ref.	Part Number	Qty.	Description
1	32128-20	2	Nut-HF	15	32151-36	4	Ring-Retaining
2	105-3992-03	1	Bracket-Bulkhead	16	107-1978	2	Cylinder-Lift
3	340-166	2	Fitting-Tee, HYD	17	302-11	2	Fitting-Lube, 45 DEG
3:1	237-22	1	O-Ring	18	3296-49	2	Nut-Lock, NI
4	3234-17	2	Screw-HHF	19	340-2	2	Fitting-HYD, Straight
5	33025-00	2	Nut-Lock, NI	19:1	237-22	1	O-Ring
6	32121-110	2	Pin-Roll, Slotted	19:2	237-42	1	O-Ring
7	95-7158	2	Pin-Pivot	20	92-7548	2	Pin-Cylinder
8	87-3470	2	Bumper-Axle, Rear	21	76-2980	2	Washer-Thrust
9	3-6781	2	Washer-Thrust	22	3234-17	2	Screw-HHF
10	63-7400	2	Washer-Rebound	23	104-5525	2	Cylinder Pin ASM
11	105-9827	2	Shaft	24	323-6	2	Screw-HH
12	105-9202	1	No. 2 Lift Arm ASM	25	340-77	2	Fitting-HYD, 90 DEG
12:2	302-60	1	Fitting-Grease	25:1	237-22	1	O-Ring
12:3	104-0015	2	Bushing-Flange	25:2	237-42	1	O-Ring
13	105-9203	1	No. 3 Lift Arm ASM	26	323-4	2	Screw-HH
13:2	302-60	1	Fitting-Grease	27	105-9839	2	Stop-Rotation, No. 2 And 3
13:3	104-0015	2	Bushing-Flange	28	3245-7	4	Screw-Set
14	104-8300	2	Nut-Flange, NI				



## Hydraulic Cylinder Assembly No. 107-1978

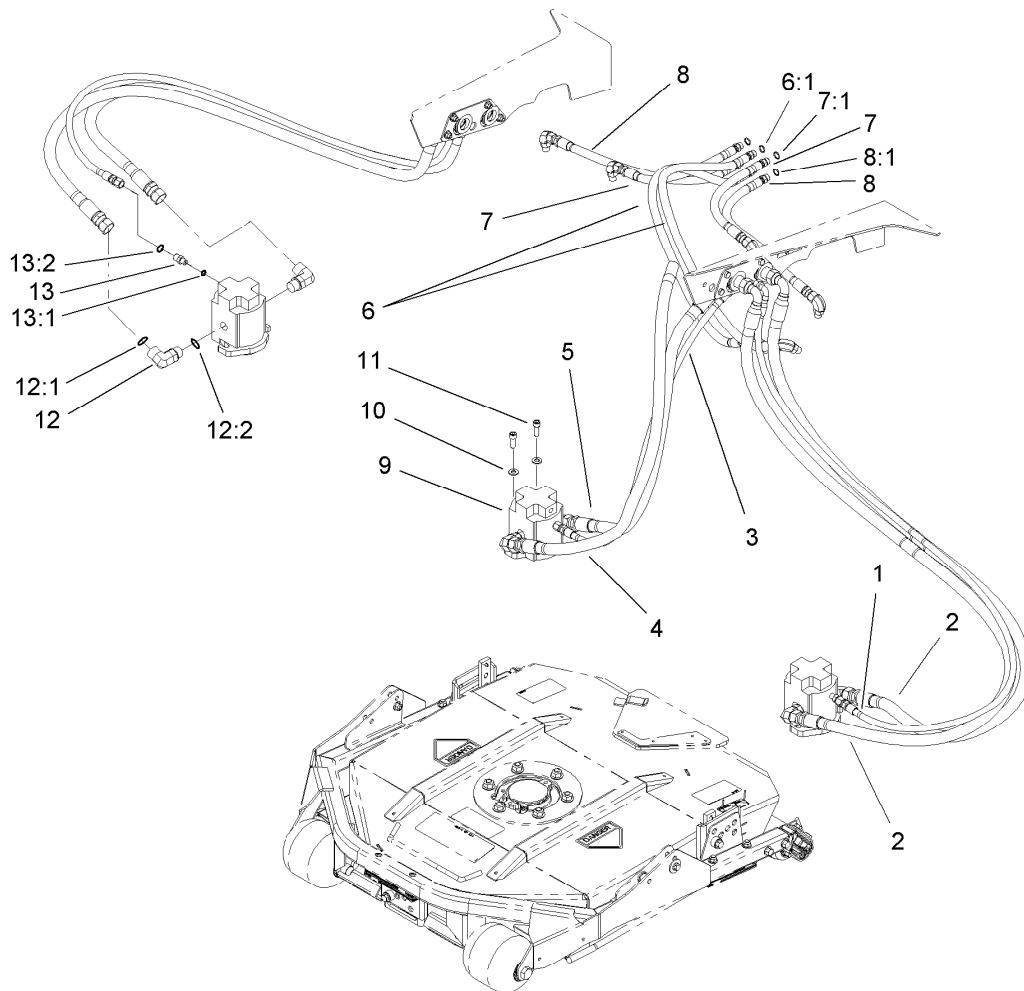
<i>Ref.</i>	<i>Part Number</i>	<i>Qty.</i>	<i>Description</i>
1	107-1977	1	Seal Kit
1:1		1	Seal-Dust ●
1:2		1	Seal-Dust ●
1:3		1	Seal ASM ●
1:4		1	Back-Up ●
1:5		1	Wiper ●
1:6		1	Seal ●
1:7		1	Ring-Wear ●

● Not serviced separately



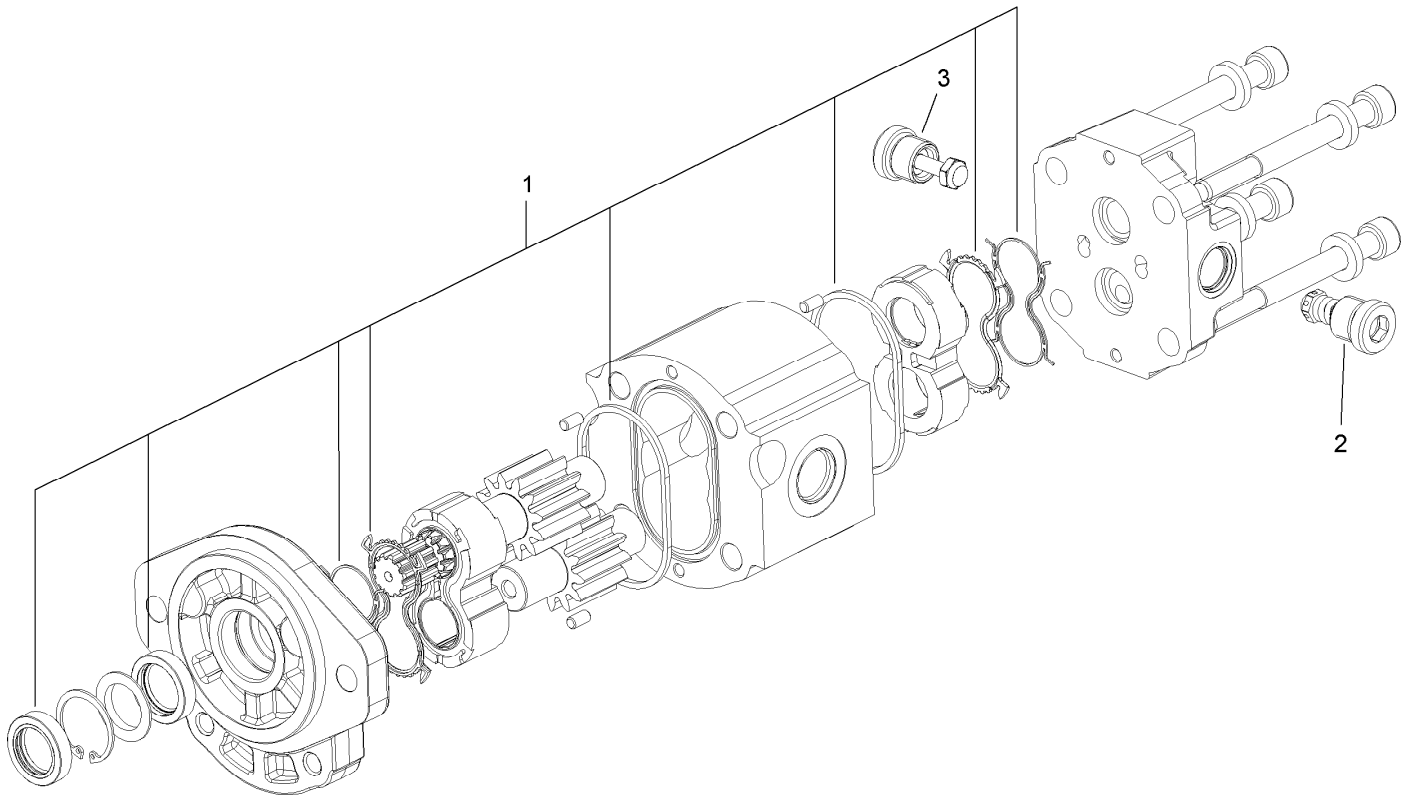
## No. 2 and 3 Hose Installation Assembly

<i>Ref.</i>	<i>Part Number</i>	<i>Qty.</i>	<i>Description</i>
3	104-5502	2	Hose ASM
5	104-5505	4	Hose ASM
6	3290-379	2	Tie-Cable



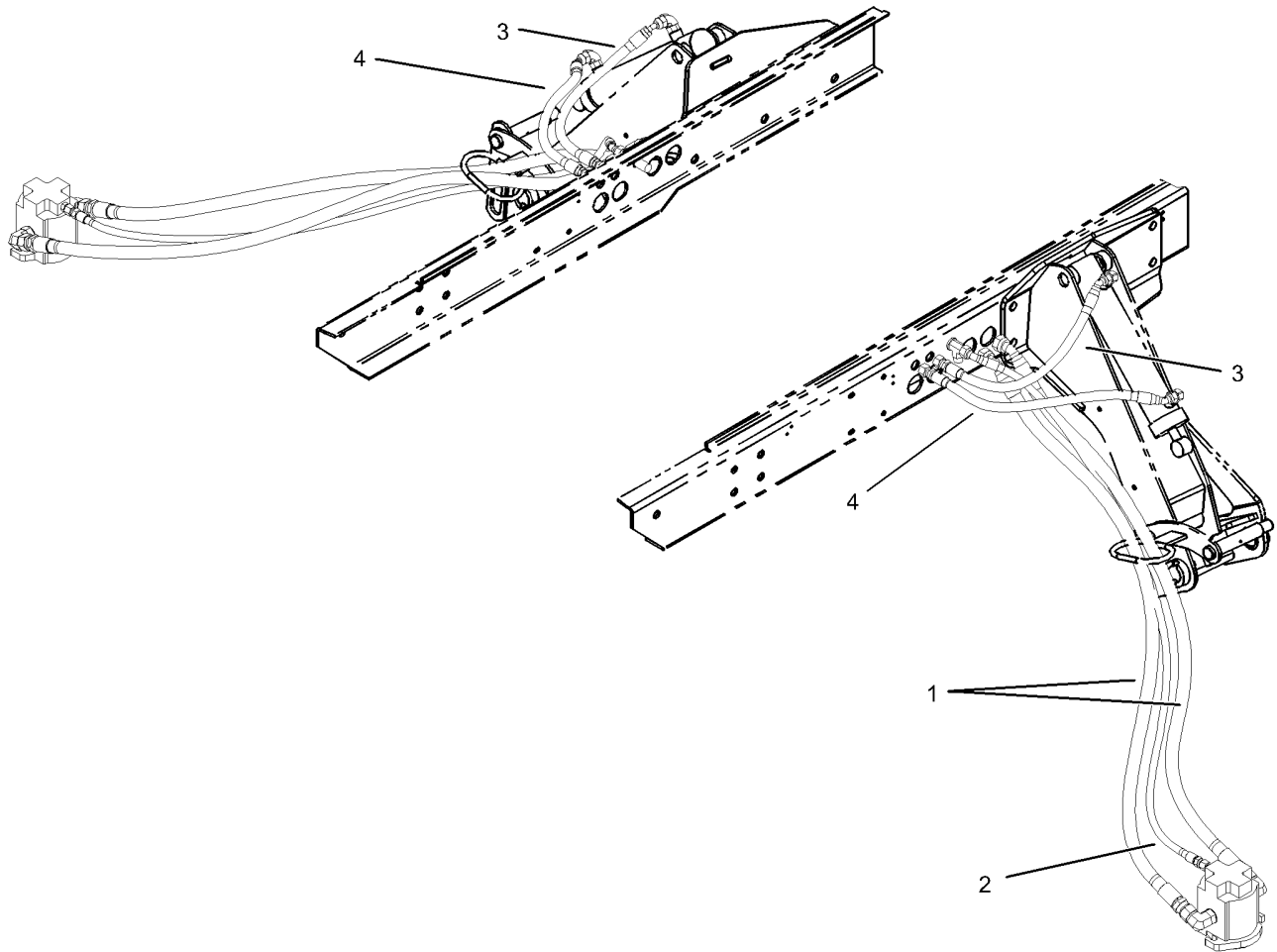
## No. 1, 4 and 5 Hose Installation Assembly

<i>Ref.</i>	<i>Part Number</i>	<i>Qty.</i>	<i>Description</i>
1	104-5500	2	Hose ASM
2	104-5501	4	Hose ASM
3	104-5502	1	Hose ASM
4	104-5504	1	Hose ASM
5	104-5505	1	Hose ASM
6	104-5511	2	Hose ASM
6:1	237-42	1	O-Ring
7	104-5512	2	Hose ASM
7:1	237-42	1	O-Ring
8	104-5513	2	Hose ASM
8:1	237-42	1	O-Ring
9	105-9872	7	HYD Motor ASM
10	3256-24	14	Washer-Flat
11	3274-7	14	Screw-HSH
12	340-17	14	Fitting-HYD, 90 DEG
12:1	237-65	1	O-Ring
12:2	237-80	1	O-Ring
13	340-92	7	Fitting-HYD, Straight
13:1	237-78	1	O-Ring
13:2	237-21	1	O-Ring



## Hydraulic Motor Assembly No. 105-9872

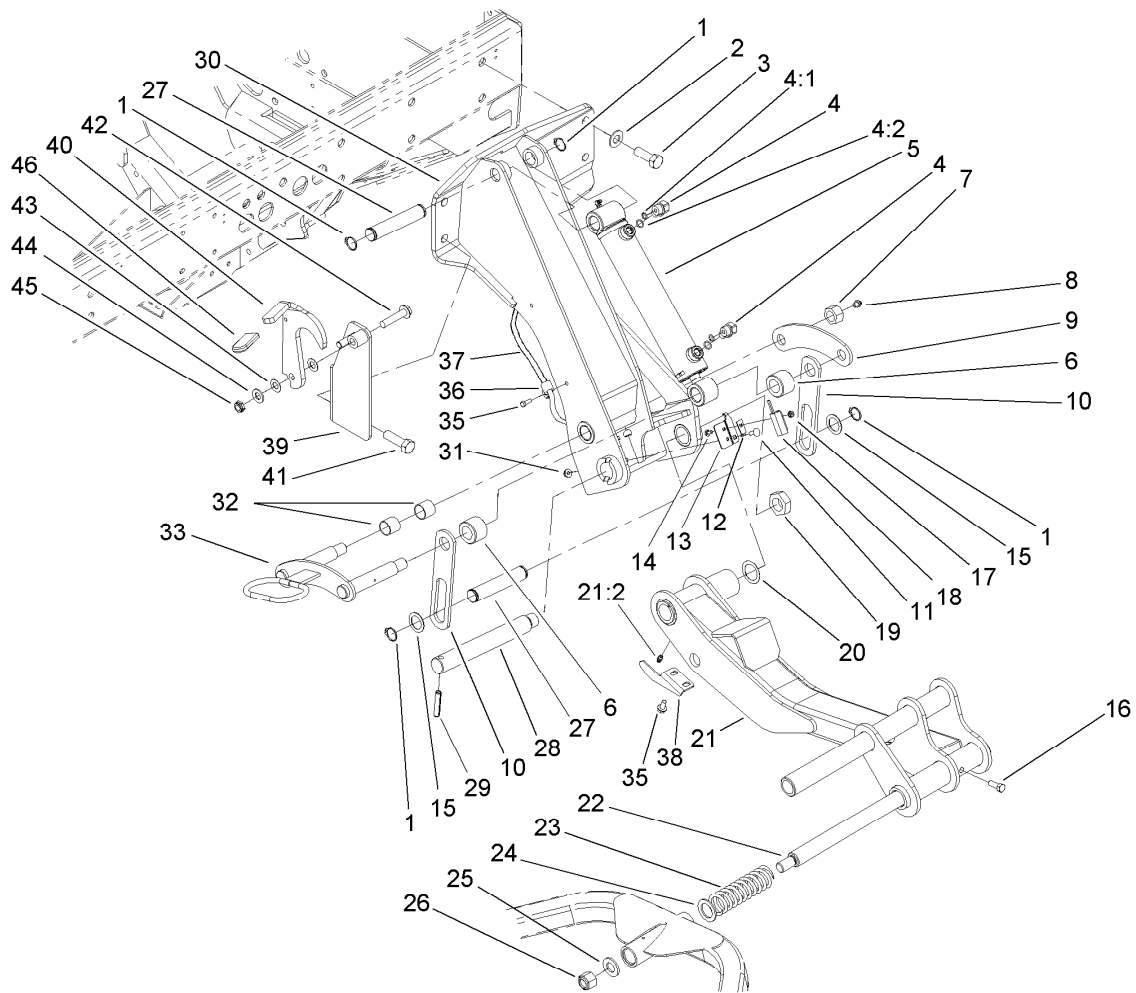
<i>Ref.</i>	<i>Part Number</i>	<i>Qty.</i>	<i>Description</i>
1	107-7819	1	Seal Kit
2	107-7820	1	Valve-Relief
3	107-7821	1	Valve-Anticavitation



## No. 6 and 7 Hose Installation Assembly

<i>Ref.</i>	<i>Part Number</i>	<i>Qty.</i>	<i>Description</i>
1	104-5498	4	Hose ASM
2	104-5499	2	Hose ASM
3	105-3918	2	Hose ASM
4	105-3919	2	Hose ASM

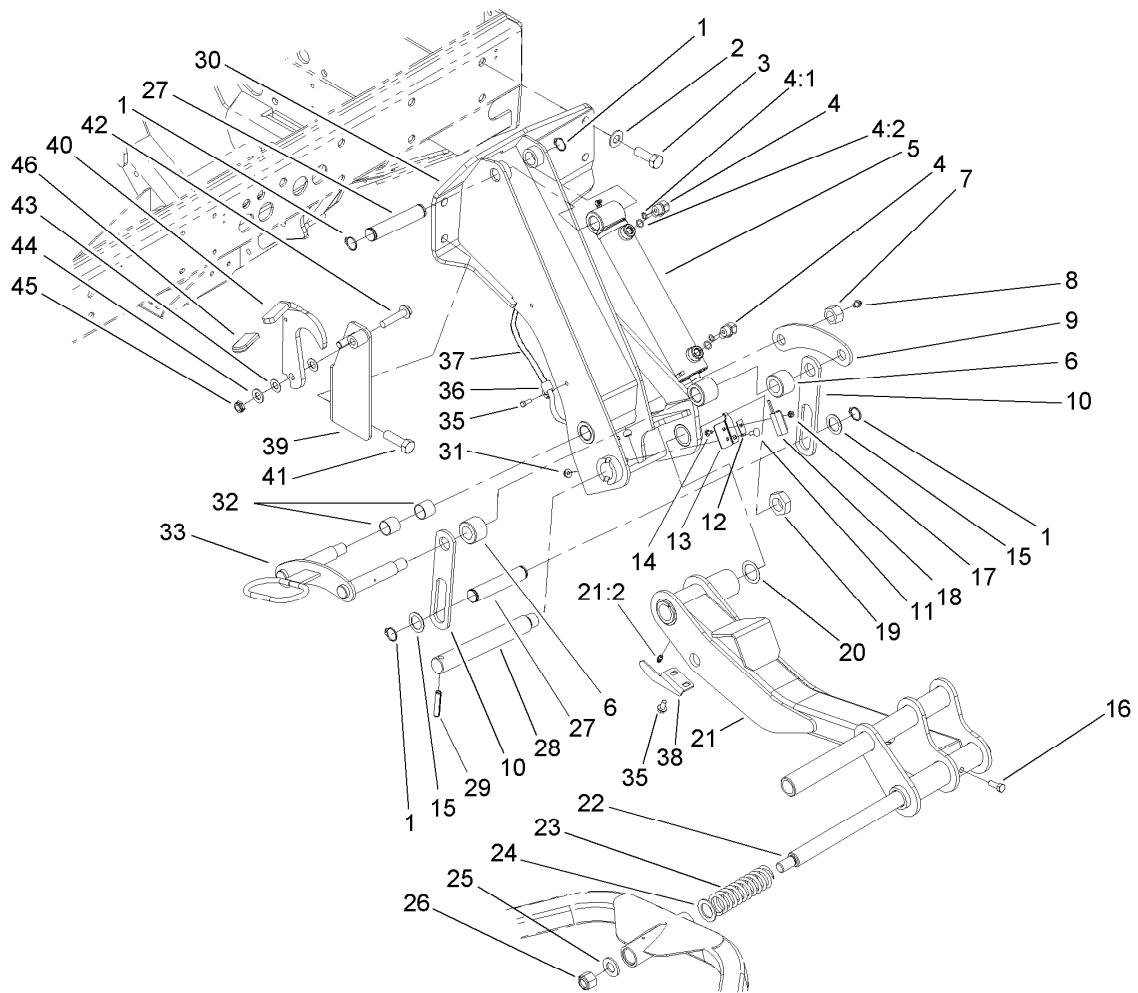
● Not illustrated



## No. 6 and 7 Lift Arm Assembly

Ref.	Part Number	Qty.	Description	Ref.	Part Number	Qty.	Description
1	32151-36	8	Ring-Retaining	22	108-4022	2	Shaft-Carrier, Pivot
2	99-7667	12	Washer-Flat	23	105-3999	2	Spring-Compression
3	327-5	8	Screw-HH	24	3-6781	2	Washer-Thrust
4	340-77	4	Fitting-HYD, 90 DEG	25	3256-28	2	Washer-Flat
4:1	237-22	1	O-Ring	26	3296-50	2	Nut-Lock, NI
4:2	237-42	1	O-Ring	27	93-2699	4	Pin
5	107-1981	2	Lift Cyclinder ASM	28	98-8826	2	Pin-Pivot
6	93-2700	4	Roller-Plastic	29	32121-110	2	Pin-Roll, Slotted
7	33029-00	4	Nut-Lock, NI	30	104-5658-03	1	No. 7 Support Arm ASM
8	302-2	4	Fitting-Grease	30	104-5657-03	1	No. 6 Support Arm ASM
9	98-8821	2	Link-Rear	31	32128-33	2	Nut-HF
10	93-2704	4	Link-Left	32	67-1750	4	Bushing
11	3229-28	2	Screw-CARR	33	104-5669	2	Link ASM
12	100-4872	2	Plate-Switch, Neutral	35	32144-14	8	Screw-HWHTF
13	105-3858	2	Bracket-Switch	36	2412-93	4	Clamp-R
14	104-1450	2	Bolt-CARR	37	105-9188	1	Harness-Wire
15	10-8110	4	Washer-Thrust	38	105-9828	2	Actuator-Switch
16	323-6	2	Screw-HH	39	108-4045-03	1	Latch-Arm, LH
17	32149-7	2	Nut-Keps	39	108-4046-03	1	Latch-Arm, RH
18	100-1270	2	Switch-Proximity	40	104-3556-03	1	Latch-RH
19	3296-49	2	Nut-Lock, NI	40	104-3557-03	1	Latch-LH
20	76-2980	2	Washer-Thrust	41	327-6	4	Screw-HH
21	108-4035	1	No. 6 Liftarm ASM	42	3234-46	2	Screw-HHF
21	108-4036	1	No. 7 Liftarm ASM	43	104-3577	4	Washer
21:2	302-5	1	Fitting-Grease	44	3256-26	2	Washer-Flat

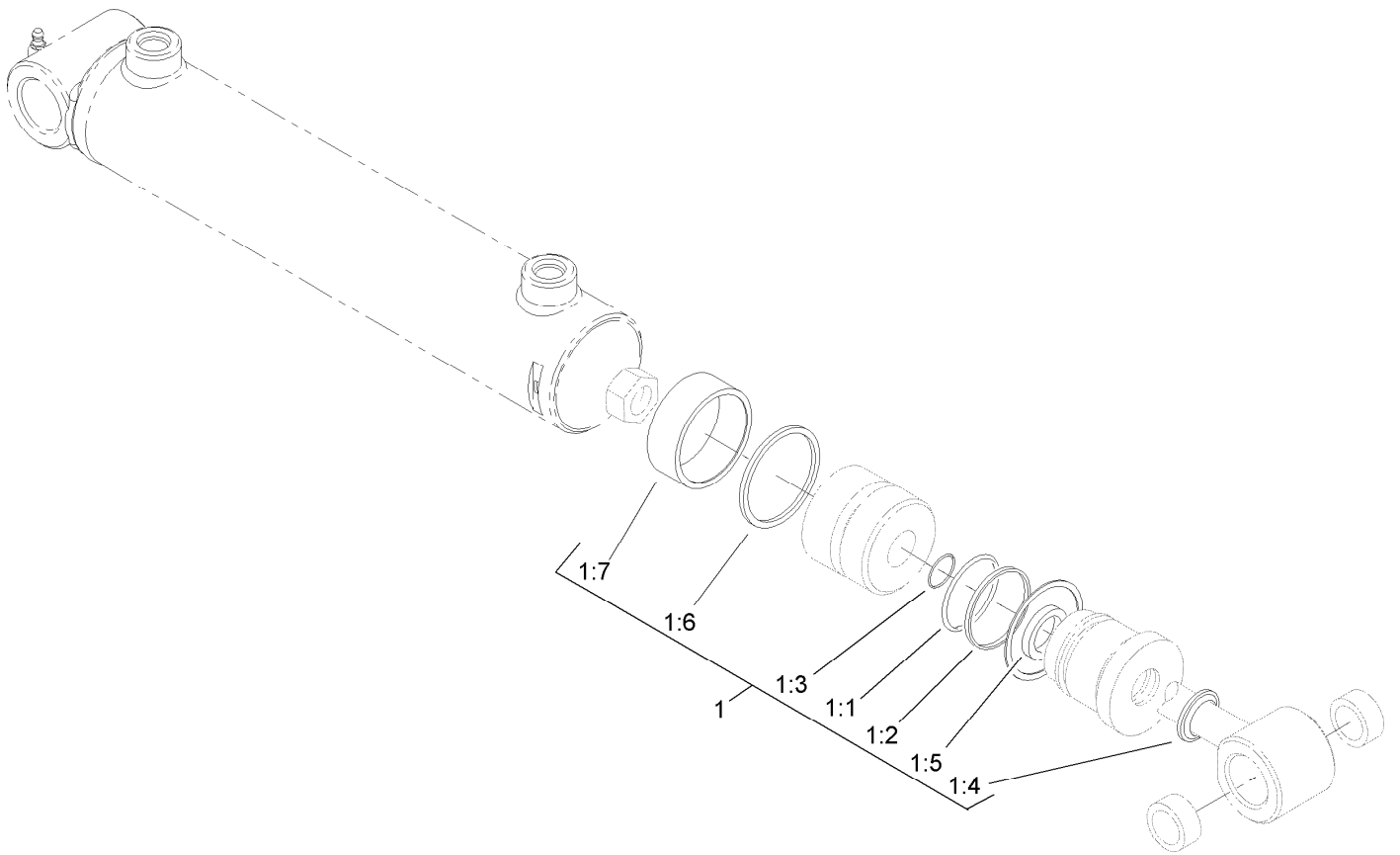
● Not illustrated



## No. 6 and 7 Lift Arm Assembly (continued)

<i>Ref.</i>	<i>Part Number</i>	<i>Qty.</i>	<i>Description</i>	<i>Ref.</i>	<i>Part Number</i>	<i>Qty.</i>	<i>Description</i>
45	3296-45	2	Nut-Lock, NI	46	48-7081	2	Grip-Plastic
				99	3290-378	2	Tie-Cable ●

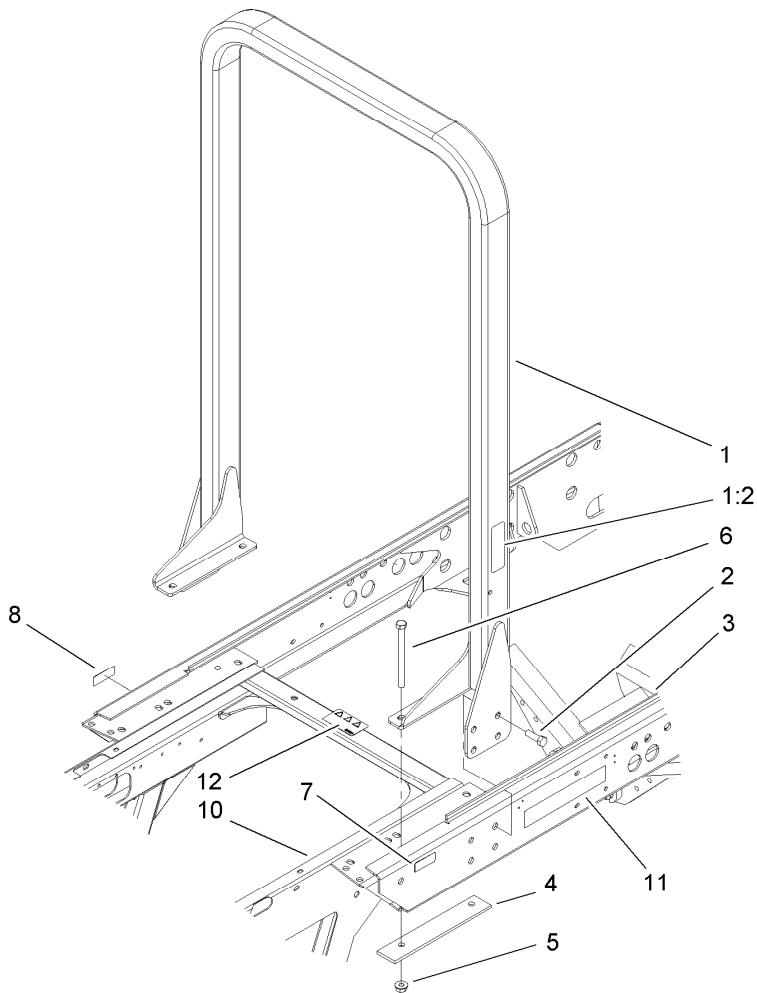
● Not illustrated



## Hydraulic Cylinder Assembly No. 107-1981

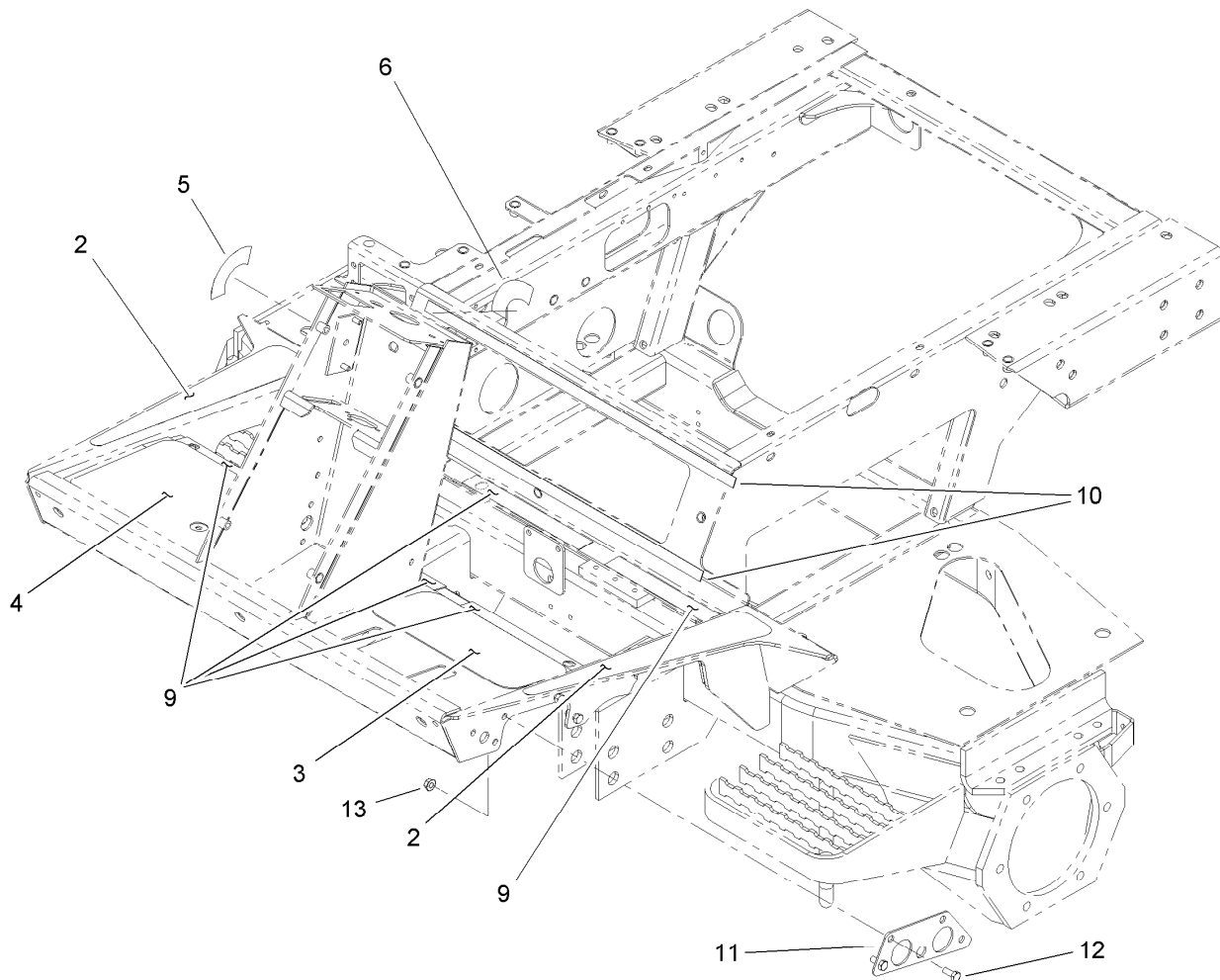
<i>Ref.</i>	<i>Part Number</i>	<i>Qty.</i>	<i>Description</i>
1	107-2564	1	Seal Kit
1:1		1	Seal-Dust ●
1:2		1	Seal-Dust ●
1:3		1	Seal ASM ●
1:4		1	Back-Up ●
1:5		1	Wiper ●
1:6		1	Seal-W/Out Ring ●
1:7		1	Ring-Wear ●

● Not serviced separately



## Roll-Over Protection System and Frame Assembly

<i>Ref.</i>	<i>Part Number</i>	<i>Qty.</i>	<i>Description</i>
1	108-4018	1	ROPS ASM
1:2	107-1999	1	Decal-ROPS
2	3234-38	10	Screw-HHF
3	104-5410-03	1	Frame-Rear
4	104-5584-03	2	Plate-Reinforcement, ROPS
5	32128-49	4	Nut-HHF
6	325-20	4	Screw-HH
7	93-6680	1	Decal-Diesel
8	93-6686	1	Decal-Oil, HYD
10	108-6051	1	Front Frame ASM
11	72-3560	2	Decal
12	106-6754	1	Decal-Danger



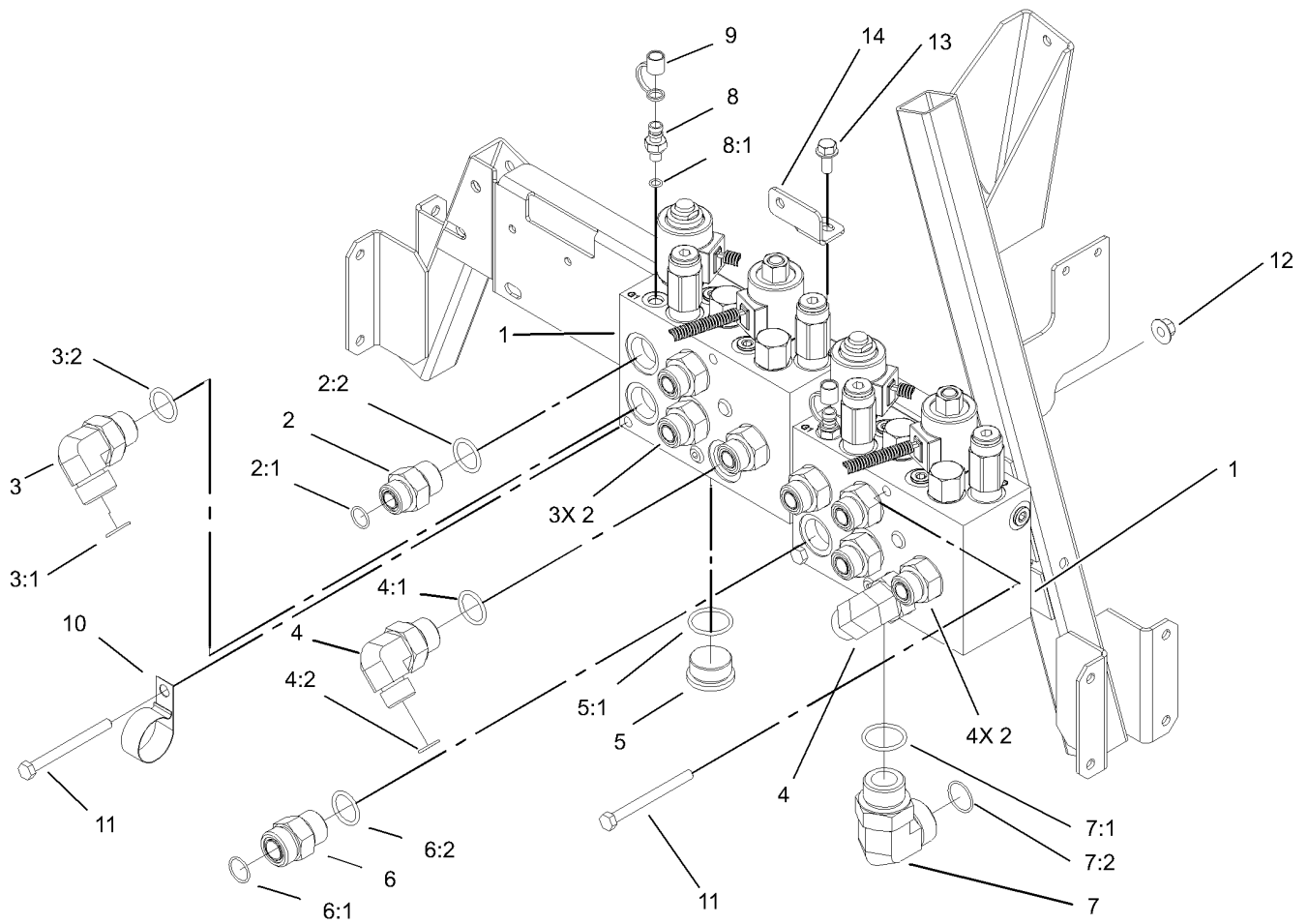
## Front Frame Assembly No. 108-6051

<i>Ref.</i>	<i>Part Number</i>	<i>Qty.</i>	<i>Description</i>
2	93-7592	2	Tread-Rest, Foot
3	75-0620	1	Tread-Foot, LH
4	104-5223	1	Tread-Foot, RH
5	93-6699	1	Decal-Fast / Slow
6	105-7506	1	Decal-Switch, Key
9	105-9859	6	Seal-Foam
10	105-9860	2	Seal-Foam
11	106-7794-01	2	Plate-Mount, HYD Fitting
12	322-3	7	Screw-HH
13	32128-20	7	Nut-HF



## Roller Support and Access Panel Assembly

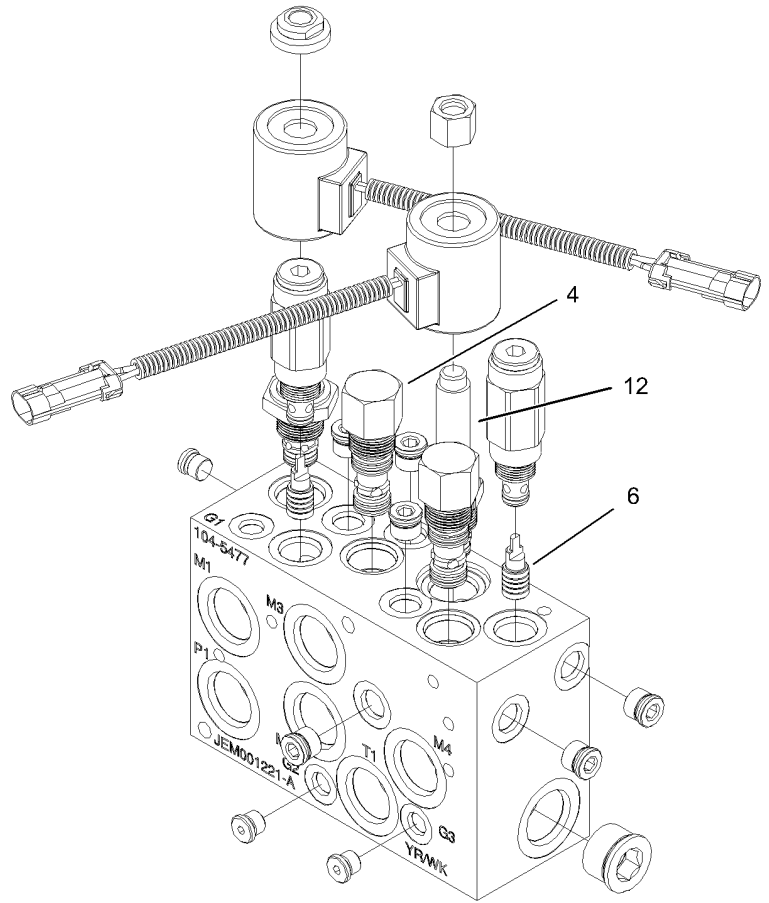
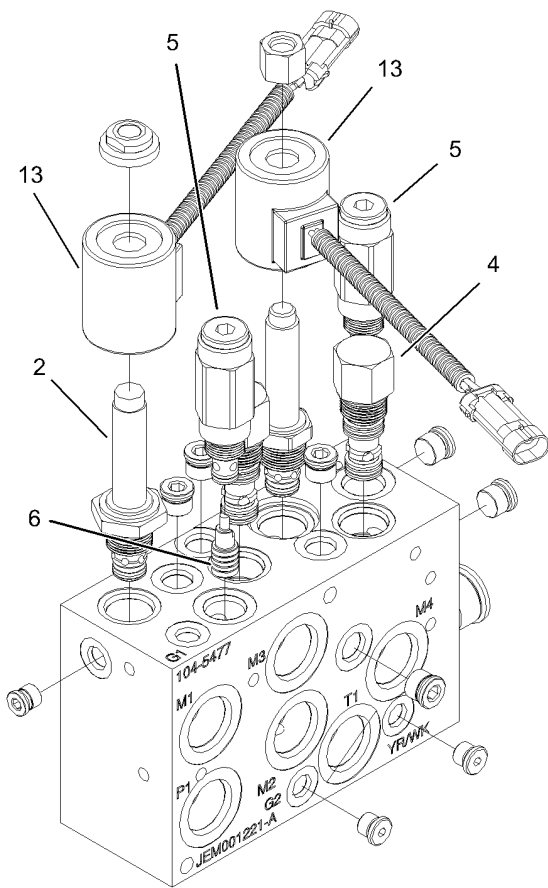
<i>Ref.</i>	<i>Part Number</i>	<i>Qty.</i>	<i>Description</i>
1	3234-7	7	Screw-HHF
2	75-0630	1	Tread-Foot, Center
3	75-1410-01	1	Plate-Access, Floor
4	105-9243-01	1	Plate-Access
5	3296-23	4	Nut-Lock, NI
6	105-3996-01	2	Support-Roller
7	105-9816	2	Roller-Plastic
8	105-3970	2	Spring-Compression
9	3256-26	2	Washer-Flat
10	3234-38	3	Screw-HHF
11	104-5539-01	1	Roller Support ASM
12	325-22	2	Screw-HH
14	3272-11	4	Pin-Cotter
15	104-5545	2	Shaft-Roller
16	33025-00	1	Nut-Lock, NI
17	87-3470	1	Bumper-Axle, Rear
18	105-3889	1	Decal-Danger
18	107-1983	1	Decal-Warning
19	325-20	2	Screw-HH



## Cutting Manifold Assembly

Ref.	Part Number	Qty.	Description
1	104-5477	2	Manifold ASM
2	340-8	8	Adapter
2:1	237-65	1	O-Ring
2:2	237-81	1	O-Ring
3	340-142	1	Fitting-HYD, 90 DEG
3:1	237-58	1	O-Ring
3:2	237-81	1	O-Ring
4	340-139	2	Fitting-HYD, 90 DEG
4:1	237-81	1	O-Ring
4:2	237-65	1	O-Ring
5	105-3921	1	Fitting-Plug
5:1	237-146	1	O-Ring
6	340-9	1	Fitting-HYD, Straight

Ref.	Part Number	Qty.	Description
6:1	237-58	1	O-Ring
6:2	237-81	1	O-Ring
7	340-129	1	Fitting-HYD, 90 DEG
7:1	237-146	1	O-Ring
7:2	340-65	1	O-Ring
8	354-77	2	Fitting-Quick
8:1	237-78	1	O-Ring
9	354-79	2	Cap-Dust
10	2412-150	1	Clip-J
11	322-22	4	Screw-HH
12	32128-44	5	Nut
13	3234-5	1	Screw-HHF
14	104-5487	1	Bracket-L

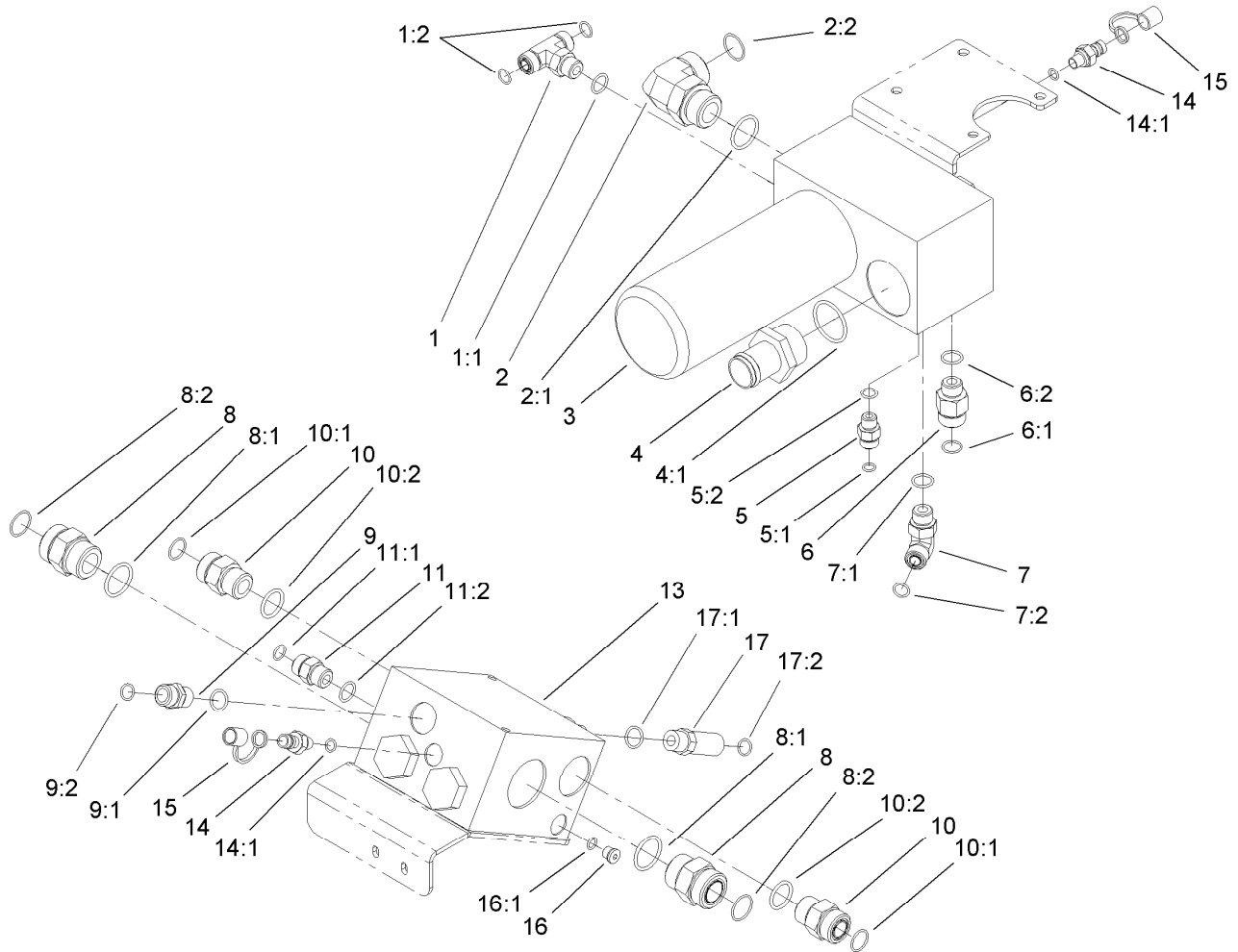


## Manifold Assembly No. 104-5477

Ref.	Part Number	Qty.	Description
2	105-9150	1	Relief-Proportional
2:1	105-9151	1	Seal Kit ●
4	105-9153	2	Element-Logic, Vented
4:1	105-9154	1	Seal Kit ●
5	105-9155	2	Valve-Relief
5:1	105-9156	1	Seal Kit ●
6	105-9157	2	Piston-Pilot
12	105-9158	1	Valve-Solenoid, N.O.
12:1	105-9159	1	Seal Kit ●
13	105-9152	2	Coil ASM

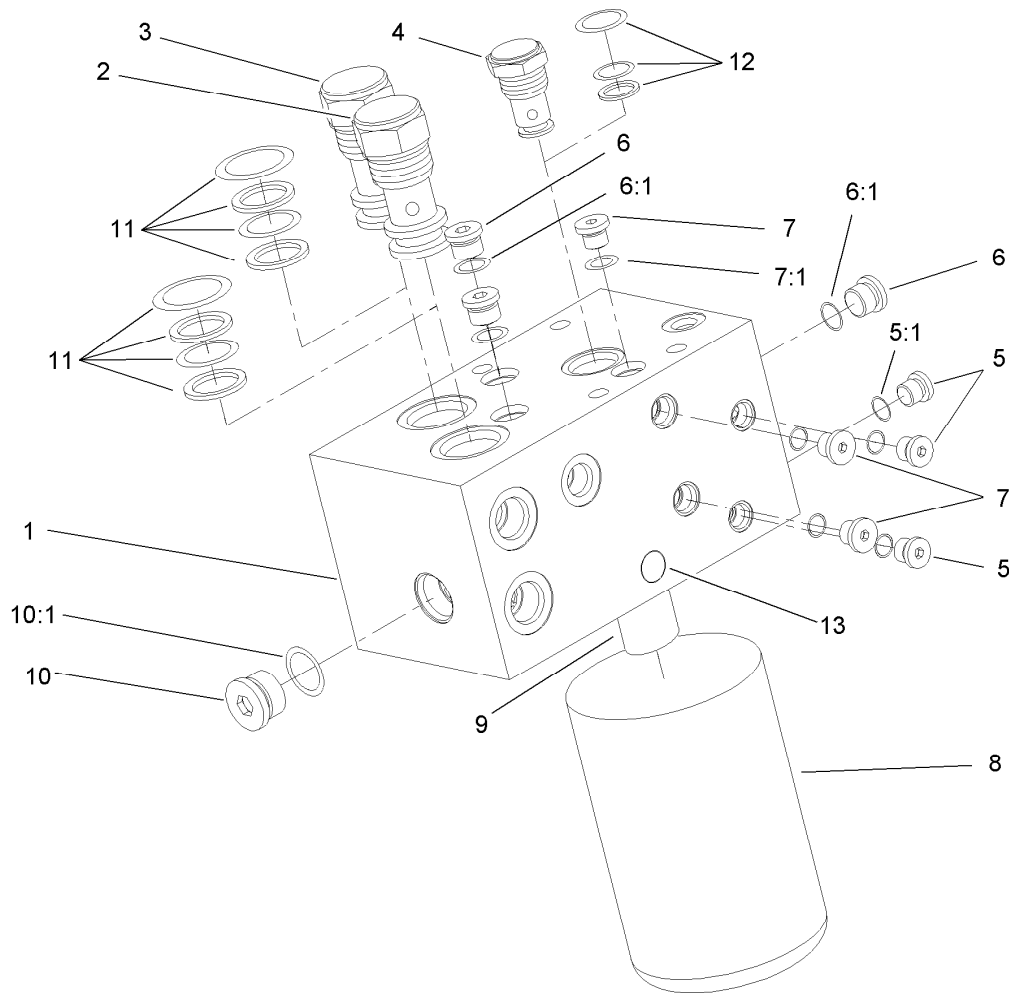
● Not illustrated

■ Not serviced separately



## 4 Wheel Drive Manifold and Filter Assembly

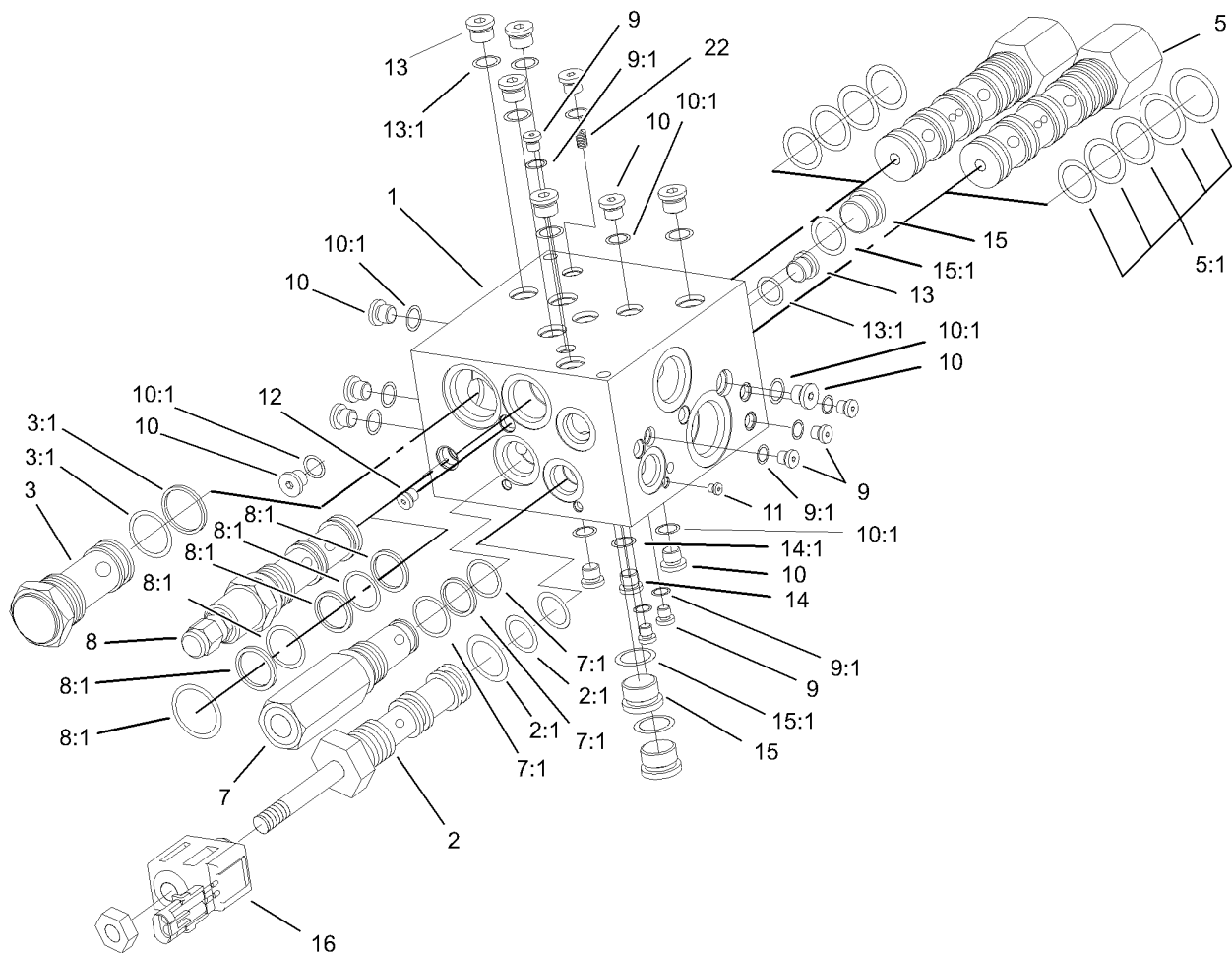
Ref.	Part Number	Qty.	Description	Ref.	Part Number	Qty.	Description
1	340-157	1	Fitting-HYD, Tee	8:2	340-65	1	O-Ring
1:1	237-79	1	O-Ring	9	100-4890	1	Fitting-Check
1:2	237-30	2	O-Ring	9:1	237-79	1	O-Ring
2	340-129	1	Fitting-HYD, 90 DEG	9:2	237-30	1	O-Ring
2:1	237-146	1	O-Ring	10	340-9	2	Fitting-HYD, Straight
2:2	340-65	1	O-Ring	10:1	237-58	1	O-Ring
3	100-5558	1	Filter Manifold ASM	10:2	237-81	1	O-Ring
4	104-5480	1	Fitting-Hose, Straight	11	340-4	1	Fitting-HYD, Straight
4:1	237-123	1	O-Ring	11:1	237-30	1	O-Ring
5	340-2	1	Fitting-HYD, Straight	11:2	237-79	1	O-Ring
5:1	237-22	1	O-Ring	13	105-9875	1	4-Wheel Drive Manifold ASM
5:2	237-42	1	O-Ring	14	354-77	2	Fitting-Quick
6	340-155	1	Fitting-HYD, Straight	14:1	237-78	1	O-Ring
6:1	237-79	1	O-Ring	15	354-79	2	Cap-Dust
6:2	237-151	1	O-Ring	16	353-990	1	Plug
7	340-98	1	Fitting-HYD, 90 DEG	16:1	237-78	1	O-Ring
7:1	237-79	1	O-Ring	17	94-2628	1	Adapter-HYD
7:2	237-30	1	O-Ring	17:1	237-79	1	O-Ring
8	104-3797	2	Fitting-HYD, Straight	17:2	237-30	1	O-Ring
8:1	237-146	1	O-Ring				



## Filter Manifold Assembly No. 100-5558

<i>Ref.</i>	<i>Part Number</i>	<i>Qty.</i>	<i>Description</i>
1		1	Manifold ●
2	104-4292	1	Valve-Check
3	104-4293	1	Valve-Check
4	104-4294	1	Valve-Check
5	353-990	3	Plug
5:1	237-78	1	O-Ring
6	353-989	3	Plug-Hex, Hollow
6:1	237-42	1	O-Ring
7	354-137	3	Plug
7:1	237-86	1	O-Ring
8	94-2621	1	Element-Filter
9		1	Nipple-Filter ●
10	354-70	1	Plug-Hex, Hollow
10:1	237-80	1	O-Ring
11	104-4879	2	Seal Kit
12	99-5503	1	Seal Kit
13		1	Plug-Expander ●

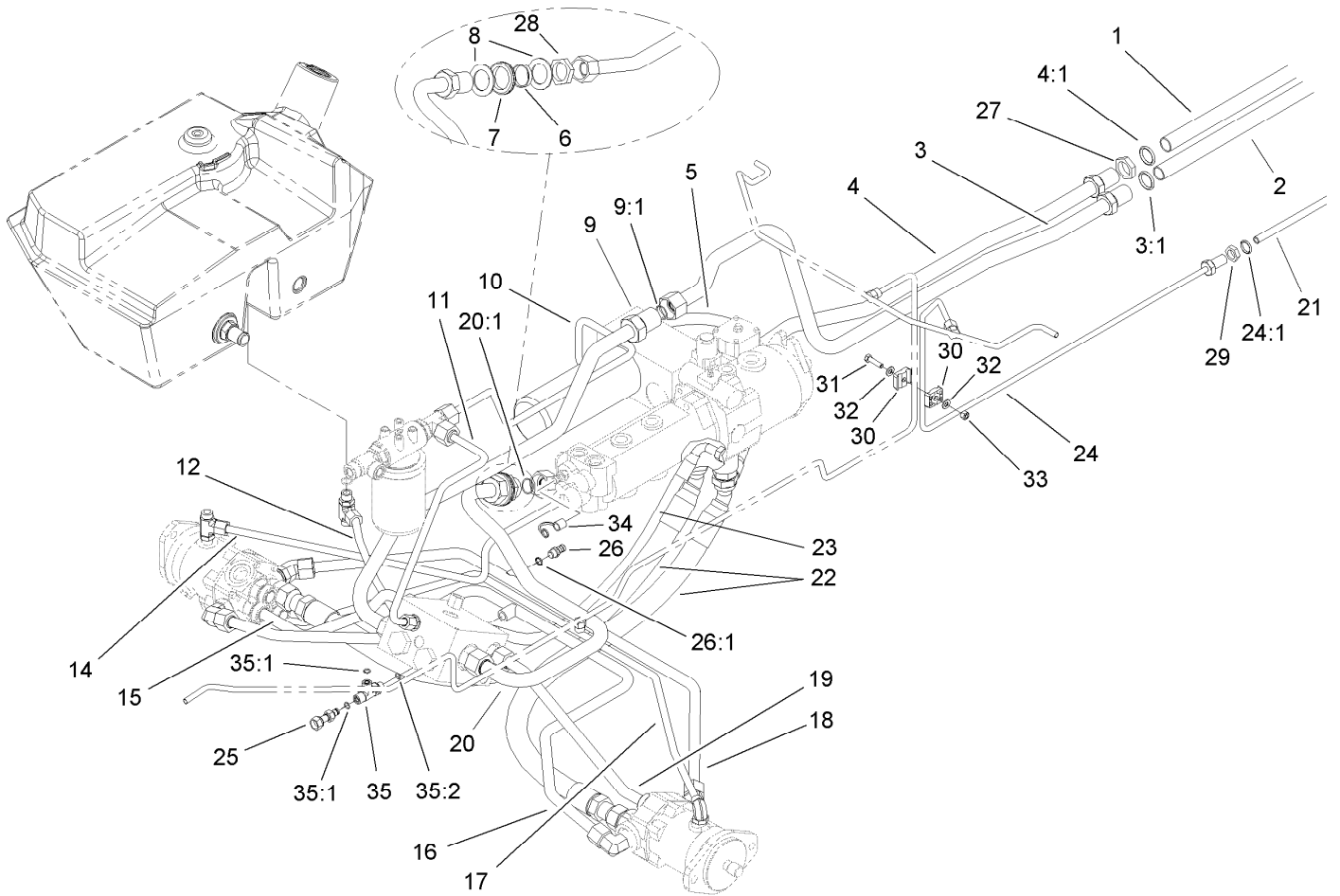
● Not serviced separately



## 4 Wheel Drive Manifold Assembly No. 105-9875

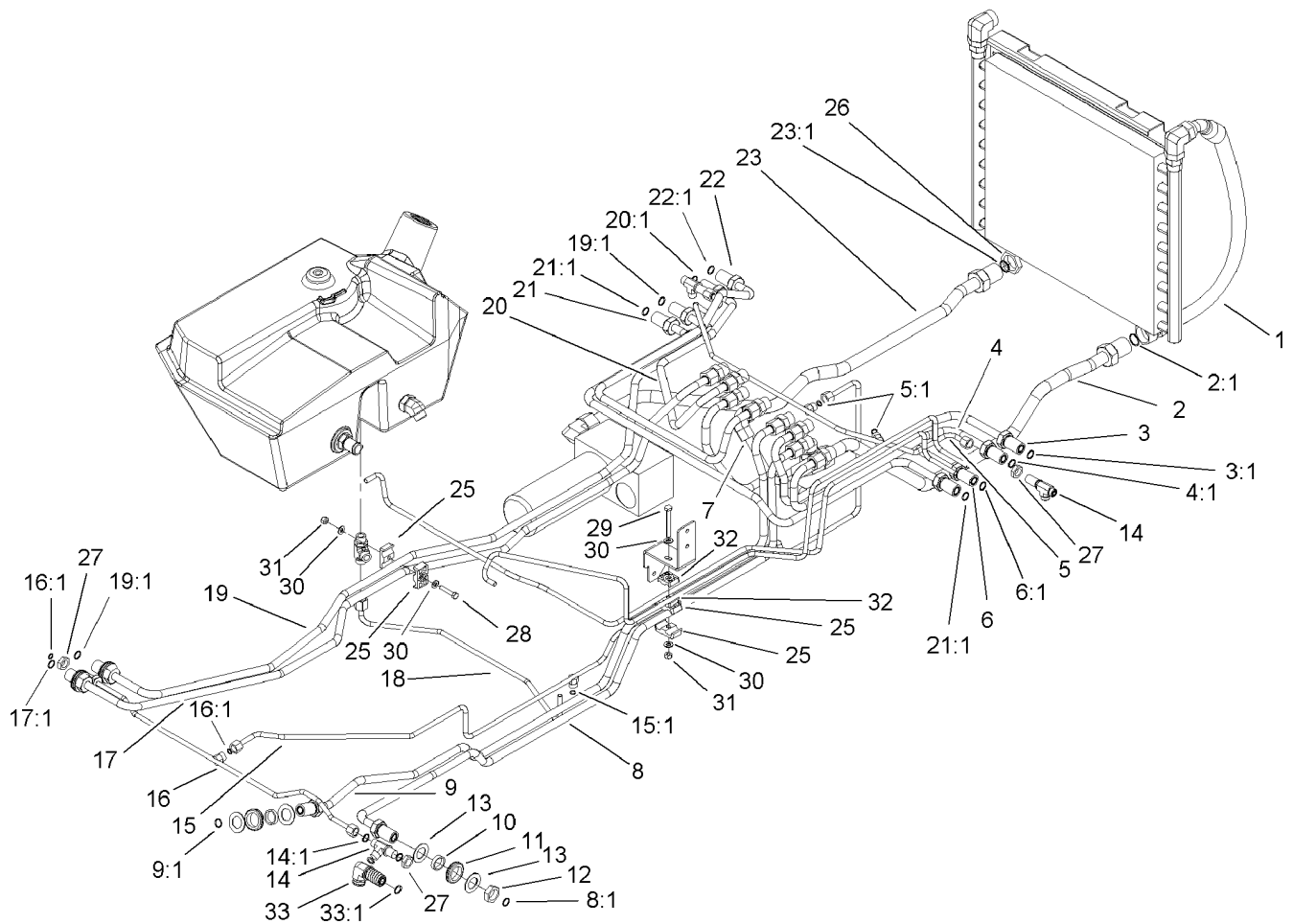
Ref.	Part Number	Qty.	Description	Ref.	Part Number	Qty.	Description
1		1	Manifold ●	10	354-137	3	Plug
2	104-8603	1	Valve-Solenoid	10:1	237-86	1	O-Ring
2:1	99-5505	1	Seal Kit	11		10	Plug-Expander ●
3	104-8604	1	Valve-Check	12		10	Plug-Expander ●
3:1	99-5506	1	Seal Kit	13	353-989	6	Plug-Hex, Hollow
5	104-8605	2	Valve-Control	13:1	237-42	1	O-Ring
5:1	99-5507	1	Seal Kit	14	353-990	1	Plug
7	105-9847	1	Valve-Relief	14:1	237-78	1	O-Ring
7:1	99-5503	1	Seal Kit	15	354-70	3	Plug-Hex, Hollow
8	105-9848	1	Valve-Reducing	15:1	237-80	1	O-Ring
8:1	104-4266	1	Seal Kit	16	104-4264	1	Coil-Solenoid
9	353-991	2	Plug-Hex, Hollow	22	106-6766	1	Plug-Orifice
9:1	237-156	1	O-Ring				

● Not serviced separately



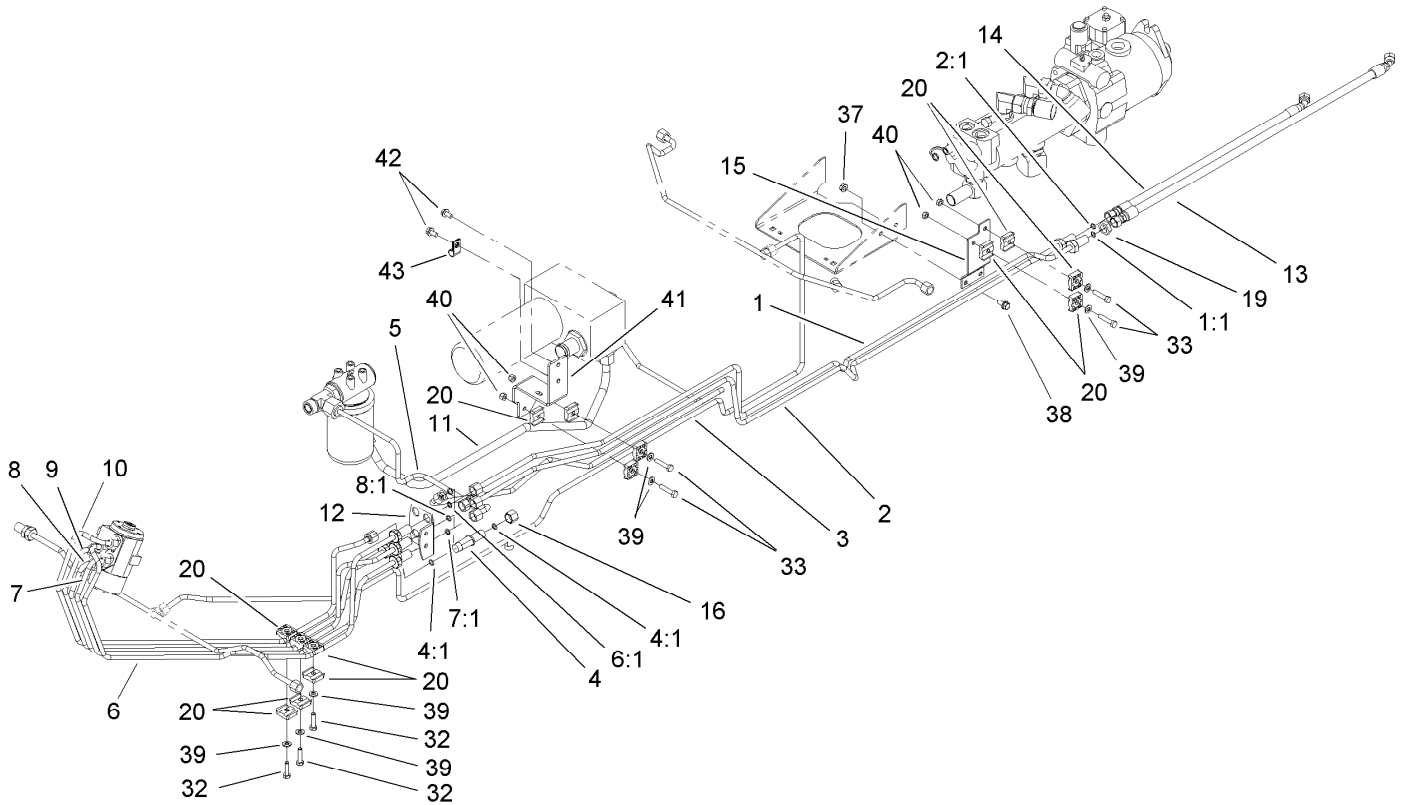
## Traction Hydraulic Line Assembly

<i>Ref.</i>	<i>Part Number</i>	<i>Qty.</i>	<i>Description</i>	<i>Ref.</i>	<i>Part Number</i>	<i>Qty.</i>	<i>Description</i>
1	92-7536	1	Hose ASM	20	104-5473	1	Tube ASM
2	105-9818	1	Hose ASM	20:1	340-65	1	O-Ring
3	104-5476	1	Tube ASM	21	92-7534	1	Hose ASM
3:1	340-65	1	O-Ring	22	104-5464	2	Hose ASM
4	104-5478	1	Tube ASM	23	105-3985	1	Hose ASM
4:1	340-65	1	O-Ring	24	105-9863	1	Tube-HYD
5	105-3864	1	Hose ASM	24:1	237-22	1	O-Ring
6	69-8950	2	Spacer	25	86-5480	1	Nipple-Test
7	240-2	2	Grommet-Rubber	26	59-7410	1	Tip-Nipple, Diagnostic
8	69-8920	4	Washer	26:1	237-42	1	O-Ring
9	104-5472	1	Tube ASM	27	340-126	2	Nut-Bulkhead
9:1	340-65	1	O-Ring	28	340-128	2	Nut-Bulkhead
10	105-3861	1	Tube ASM	29	340-70	1	Nut-Lock
11	105-3915	1	Tube ASM	30	56-7973	2	Clamp-Tube
12	104-5489	1	Tube ASM	31	322-6	1	Screw-HH
14	105-3866	1	Tube ASM	32	3256-23	2	Washer-Flat
15	104-5470	1	Tube ASM	33	3296-29	1	Nut-Lock, NI
16	105-3984	1	Tube ASM	34	354-79	2	Cap-Dust
17	105-3865	1	Tube ASM	35	340-86	1	Fitting-Tee
18	104-5462	1	Tube ASM	35:1	237-22	2	O-Ring
19	104-5468	1	Tube ASM	35:2	237-42	1	O-Ring



## Hydraulic Mow Line Assembly

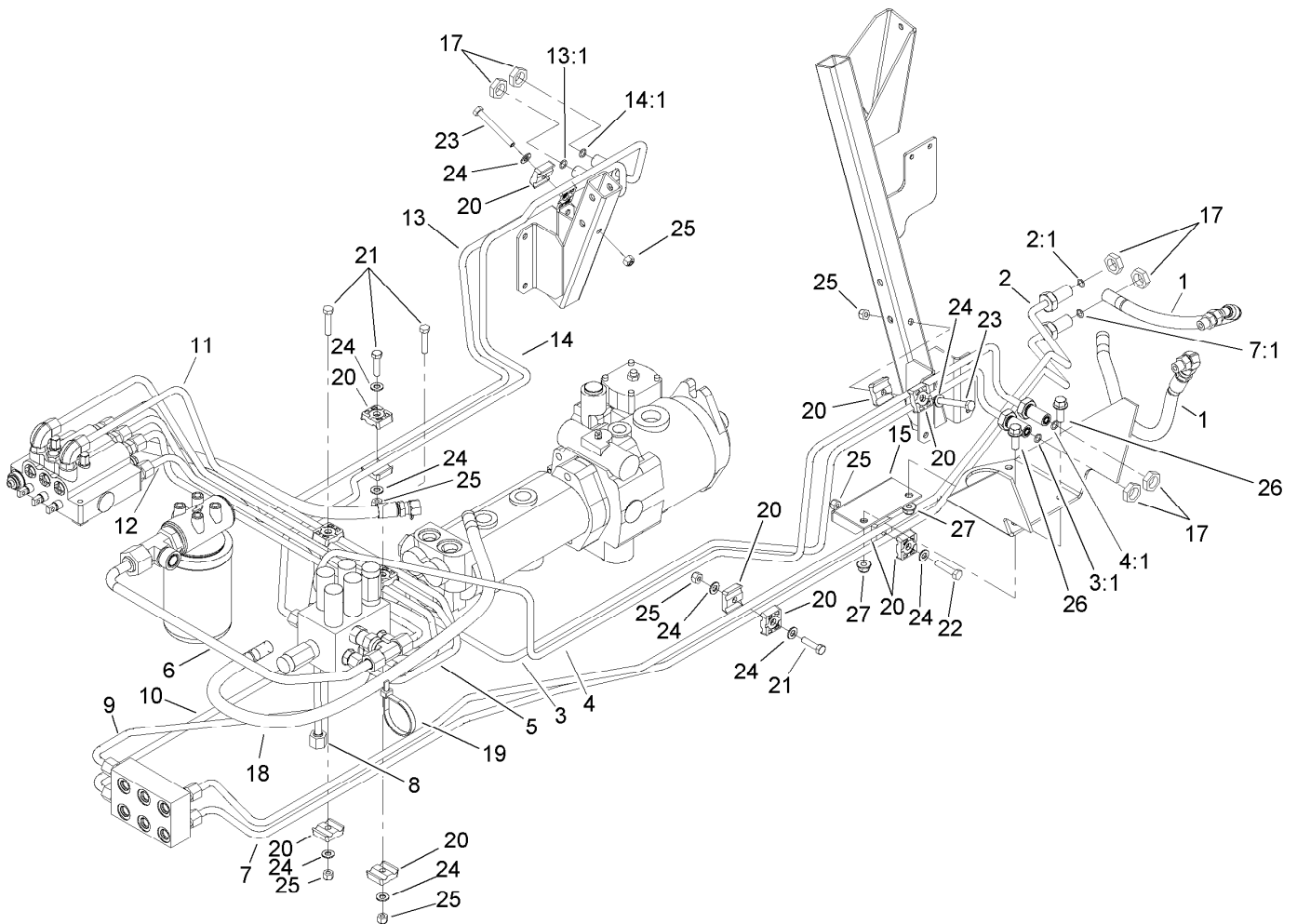
Ref.	Part Number	Qty.	Description	Ref.	Part Number	Qty.	Description
1	104-5483	2	Hose ASM	16:1	237-22	2	O-Ring
2	104-5488	1	Tube ASM	17	105-3902	1	Tube ASM
2:1	340-65	1	O-Ring	17:1	237-65	1	O-Ring
3	105-3892	1	Tube ASM	18	105-3911	1	Tube ASM
3:1	237-65	1	O-Ring	19	105-3901	1	Tube ASM
4	105-3891	1	Tube ASM	19:1	237-65	2	O-Ring
4:1	237-65	1	O-Ring	20	105-3896	1	Tube ASM
5	105-9862	1	Tube ASM	20:1	237-65	1	O-Ring
5:1	237-22	2	O-Ring	21	105-3900	1	Tube ASM
6	105-3895	1	Tube ASM	21:1	237-65	2	O-Ring
6:1	237-65	1	O-Ring	22	105-3897	1	Tube ASM
7	105-3885	1	Tube ASM	22:1	237-65	1	O-Ring
8	105-3893	1	Tube ASM	23	104-5481	1	Tube ASM
8:1	237-65	1	O-Ring	23:1	340-65	1	O-Ring
9	105-3894	1	Tube ASM	25	56-7971	4	Clamp-Tube
9:1	237-65	1	O-Ring	26	340-128	2	Nut-Bulkhead
10	69-9000	13	Spacer	27	340-70	4	Nut-Lock
11	240-3	13	Grommet-Rubber	28	322-8	1	Screw-HH
12	340-74	13	Nut-Lock, Bulkhead	29	322-13	1	Screw-HH
13	69-9010	26	Washer	30	3256-23	4	Washer-Flat
14	340-68	3	Fitting-Tee, Bulkhead	31	3296-29	2	Nut-Lock, NI
14:1	237-22	3	O-Ring	32	56-7973	2	Clamp-Tube
15	105-3914	1	Tube ASM	33	340-72	1	Fitting-Bulkhead, 90 DEG
15:1	237-22	1	O-Ring	33:1	237-65	2	O-Ring
16	108-6063	1	Front Drain Tube ASM				



## Hydraulic Steering Line Assembly

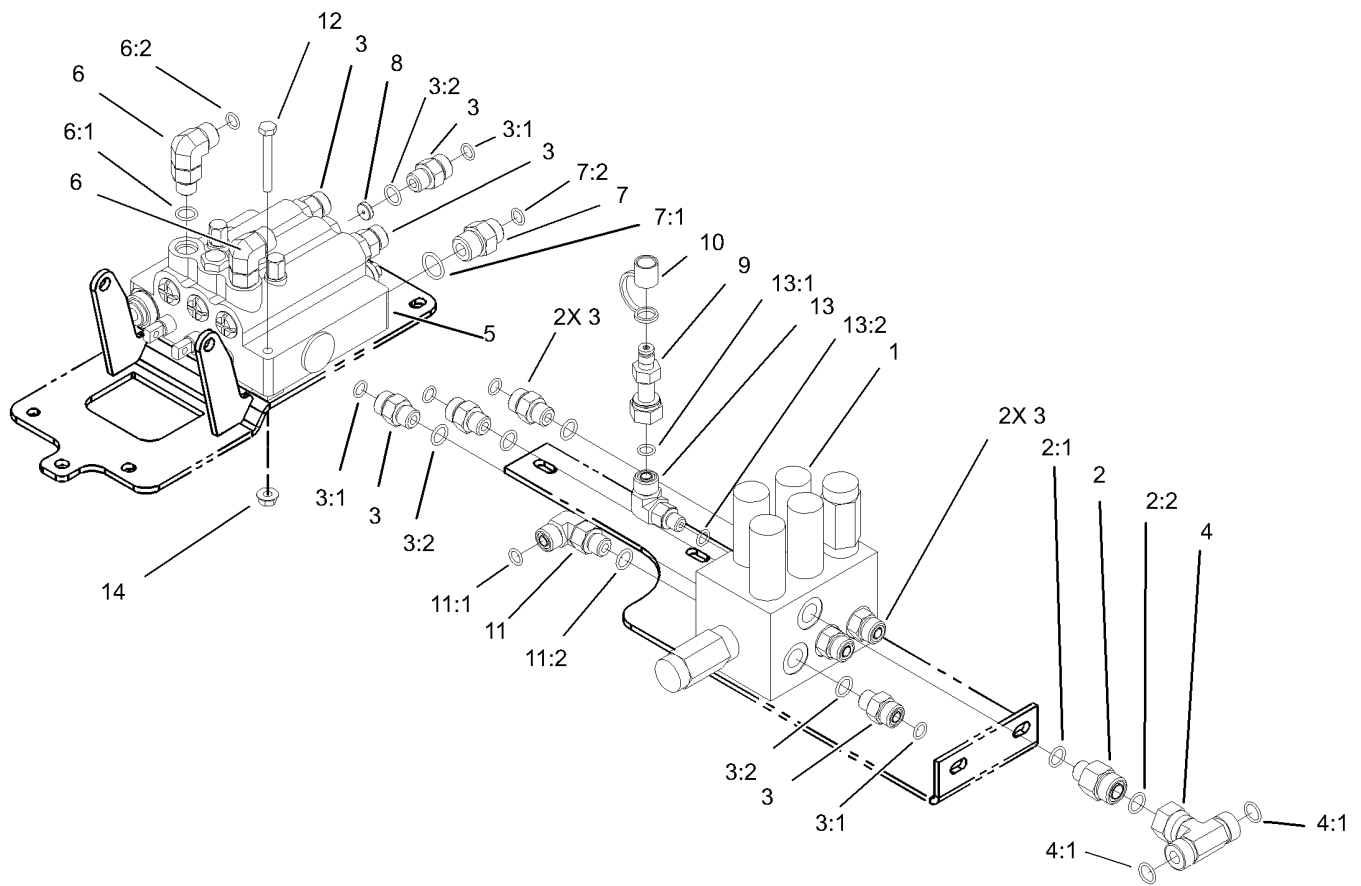
Ref.	Part Number	Qty.	Description	Ref.	Part Number	Qty.	Description
1	105-3871	1	Tube ASM	11	104-5485	1	Tube ASM
1:1	237-22	1	O-Ring	12	92-7606-03	1	Bracket-Bulkhead
2	105-3870	1	Tube ASM	13	105-9817	1	Hose ASM
2:1	237-22	1	O-Ring	14	92-7539	1	Hose ASM
3	105-3887	1	Tube ASM	15	105-3873-03	1	Bracket-Mount, Clamp
4	340-68	1	Fitting-Tee, Bulkhead	16	340-117	1	Cap
4:1	237-22	3	O-Ring	19	340-70	7	Nut-Lock
5	105-3886	1	Tube ASM	20	56-7973	14	Clamp-Tube
6	94-3060	1	HYD Tube ASM	32	322-6	3	Screw-HH
6:1	237-22	1	O-Ring	33	322-7	4	Screw-HH
7	94-3071	1	HYD Tube ASM	37	32128-20	2	Nut-HF
7:1	237-22	1	O-Ring	38	3234-5	2	Screw-HHF
8	94-3059	1	HYD Tube ASM	39	3256-23	7	Washer-Flat
8:1	237-22	1	O-Ring	40	3296-29	4	Nut-Lock, NI
9	94-3061	1	HYD Tube ASM	41	105-3993-03	1	Bracket-Support, Tube
9:1	237-22	1	O-Ring ●	42	32144-14	2	Screw-HWHTF
10	94-3062	1	HYD Tube ASM	43	2412-138	1	R-Clamp

● Not illustrated



## Hydraulic Lift Line Assembly

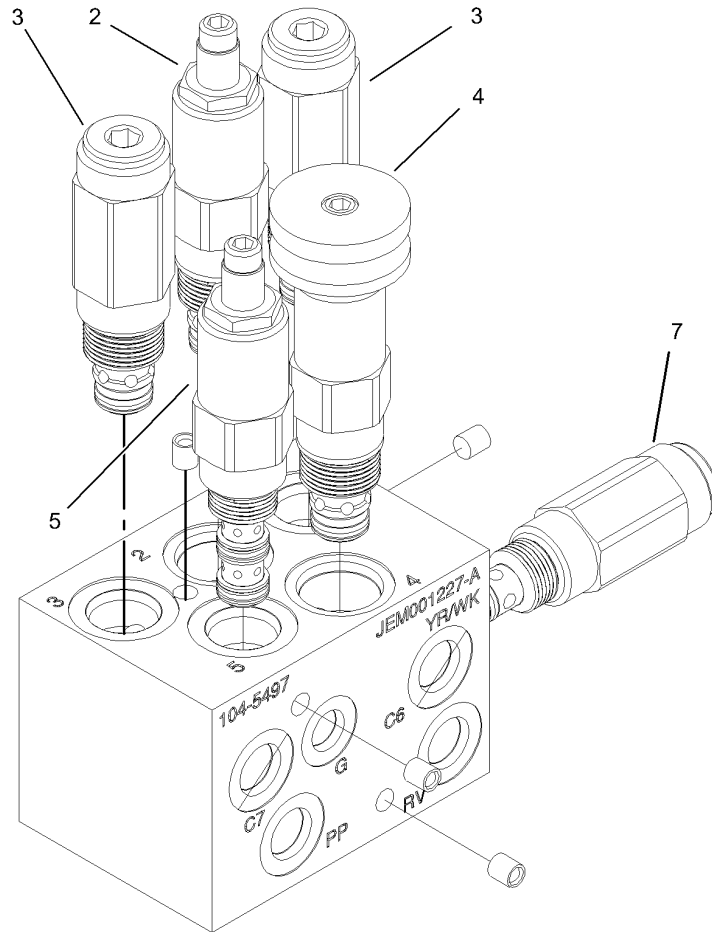
Ref.	Part Number	Qty.	Description	Ref.	Part Number	Qty.	Description
1	105-9238	4	Hose ASM	13	105-3924	1	Tube ASM
2	105-3988	1	Tube ASM	13:1	237-22	1	O-Ring
2:1	237-22	1	O-Ring	14	105-3925	1	Tube ASM
3	105-3926	1	Tube ASM	14:1	237-22	1	O-Ring
3:1	237-22	1	O-Ring	15	105-3990-03	1	Bracket-Support, Tube
4	105-3927	1	Tube ASM	17	340-70	6	Nut-Lock
4:1	237-22	1	O-Ring	18	105-9838	1	Hose ASM
5	106-1041	1	Tube ASM	19	3334-945	1	Tie-Cable
6	105-3860	1	Tube ASM	20	56-7973	14	Clamp-Tube
7	105-3989	1	Tube ASM	21	322-6	4	Screw-HH
7:1	237-22	1	O-Ring	22	322-7	1	Screw-HH
8	105-3928	1	Tube ASM	23	322-13	2	Screw-HH
9	105-3916	1	Tube ASM	24	3256-23	9	Washer-Flat
10	105-3917	1	Tube ASM	25	3296-29	7	Nut-Lock, NI
11	106-1040	1	Tube ASM	26	3234-11	2	Screw-HHF
12	105-3920	1	Tube ASM	27	104-8301	2	Nut-Flange, NI



## Lift Valve and Counter Balance Assembly

<i>Ref.</i>	<i>Part Number</i>	<i>Qty.</i>	<i>Description</i>
1	104-5497	1	Manifold ASM
2	340-5	1	Fitting-Straight
2:1	237-42	1	O-Ring
2:2	237-30	1	O-Ring
3	340-2	9	Fitting-HYD, Straight
3:1	237-22	1	O-Ring
3:2	237-42	1	O-Ring
4	93-6810	1	Fitting-Tee
4:1	237-30	2	O-Ring
5	105-9843	1	Valve-Spool, Three
6	340-77	2	Fitting-HYD, 90 DEG
6:1	237-22	1	O-Ring
6:2	237-42	1	O-Ring
7	340-3	2	Adapter

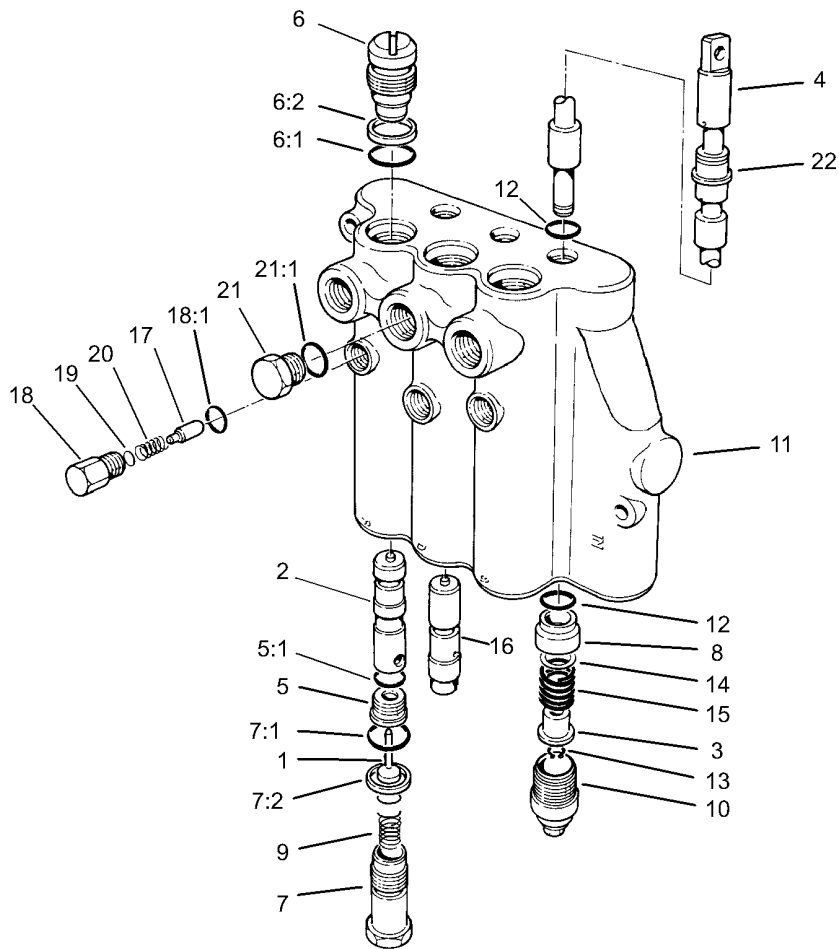
<i>Ref.</i>	<i>Part Number</i>	<i>Qty.</i>	<i>Description</i>
7:1	237-22	1	O-Ring
7:2	237-79	1	O-Ring
8	84-6402	1	Disc-Orifice
9	86-5480	1	Nipple-Test
10	354-79	1	Cap-Dust
11	340-77	1	Fitting-HYD, 90 DEG
11:1	237-22	1	O-Ring
11:2	237-42	1	O-Ring
12	321-11	2	Screw-HH
13	340-97	1	Fitting-HYD, 90 DEG
13:1	237-22	1	O-Ring
13:2	237-78	1	O-Ring
14	32128-33	2	Nut-HF



## Manifold Assembly No. 104-5497

<i>Ref.</i>	<i>Part Number</i>	<i>Qty.</i>	<i>Description</i>
2	105-9161	1	Relief-Operated, Pilot
2:1	105-9151	1	Seal Kit ●
3	105-9165	2	Valve-Sequence
3:1	105-9164	1	Seal Kit ●
4	105-9162	1	Relief-Operated, Pilot
4:1	105-9151	1	Seal Kit ●
5	105-9163	1	Valve-Pilot Sequence, EXT
5:1	105-9164	1	Seal Kit ●
7	105-9844	1	Valve-Relief
7:2	105-9156	1	Seal Kit ●

● Not illustrated

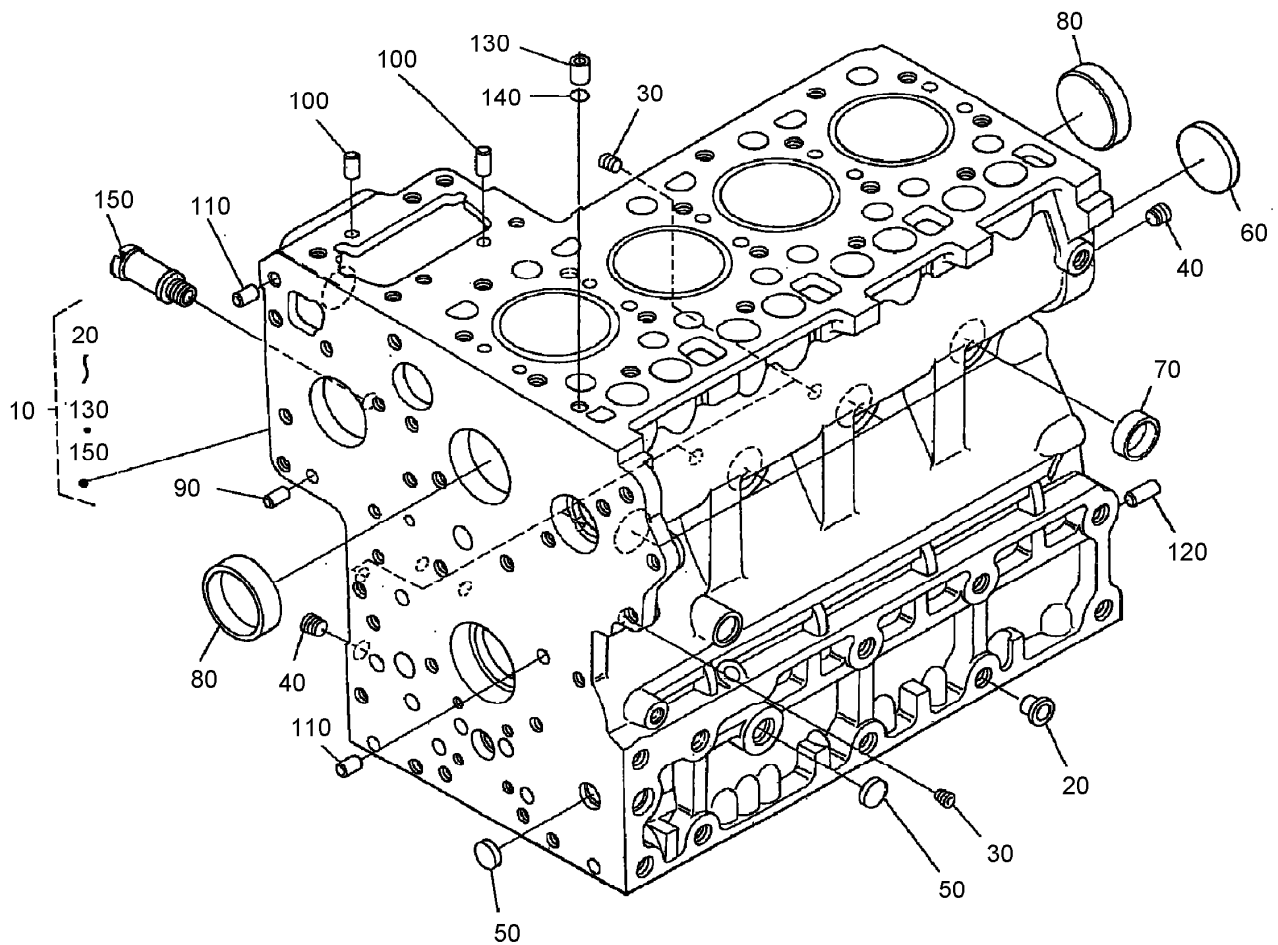


## Three Spool Valve Assembly No. 112-5253

Ref.	Part Number	Qty.	Description	Ref.	Part Number	Qty.	Description
1	58-6290	3	Poppet	11		1	Body ■
2	84-6420	2	Plunger	12	58-6450	6	O-Ring
3	58-6310	3	Spacer	13	58-6460	3	Ring-Retaining
4		3	Spool ■	14	58-6700	3	Washer
5	58-6330	3	Seat	15	58-6730	3	Spring
5:1	58-6340	1	O-Ring	16	69-1840	1	Plunger
6	58-6350	3	Plug	17	58-6770	3	Plunger
6:1	60-5720	1	O-Ring	18	58-6780	3	Plug
6:2	58-6370	1	Washer	18:1	58-6790	1	O-Ring
7	69-1800	3	Plug ASM	19	60-6450	1	Disc
7:1	60-5720	1	O-Ring	20	58-6760	3	Spring
7:2	58-6370	1	Washer	21	353-508	1	Plug-HH
8	58-6400	3	Bushing	21:1	237-42	1	O-Ring
9	69-1810	3	Spring	22	58-6320	3	Wiper
10	58-6420	3	Cap	23	60-3780	1	Seal Kit ●

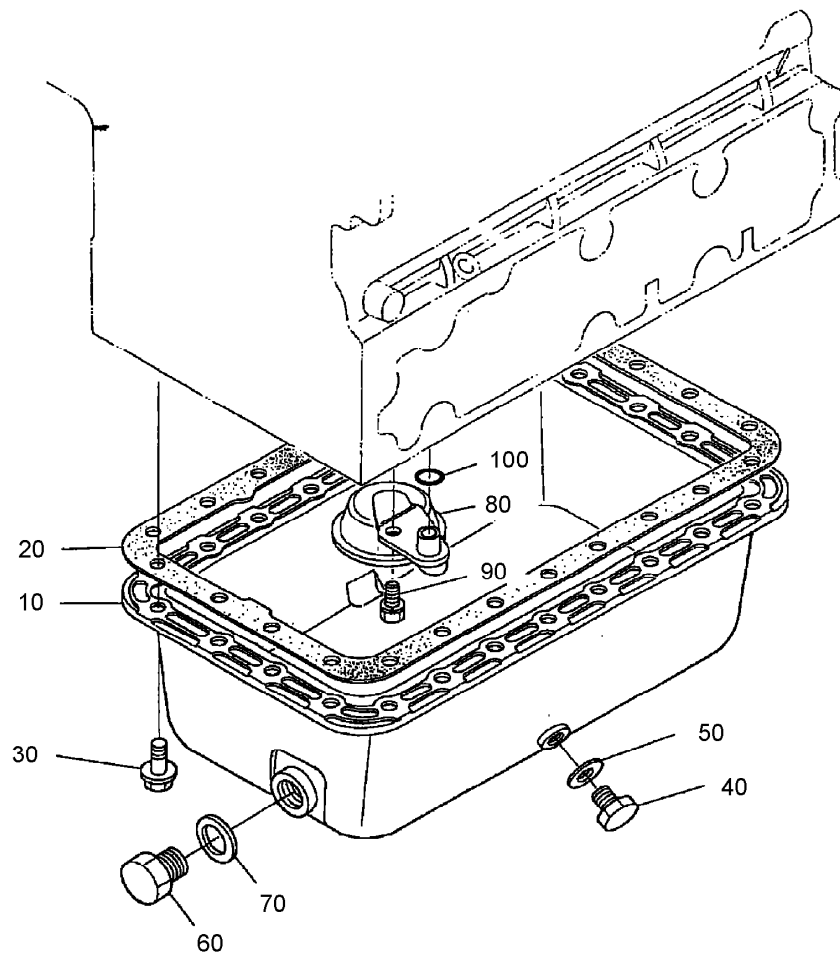
● Not illustrated

■ Not serviced separately



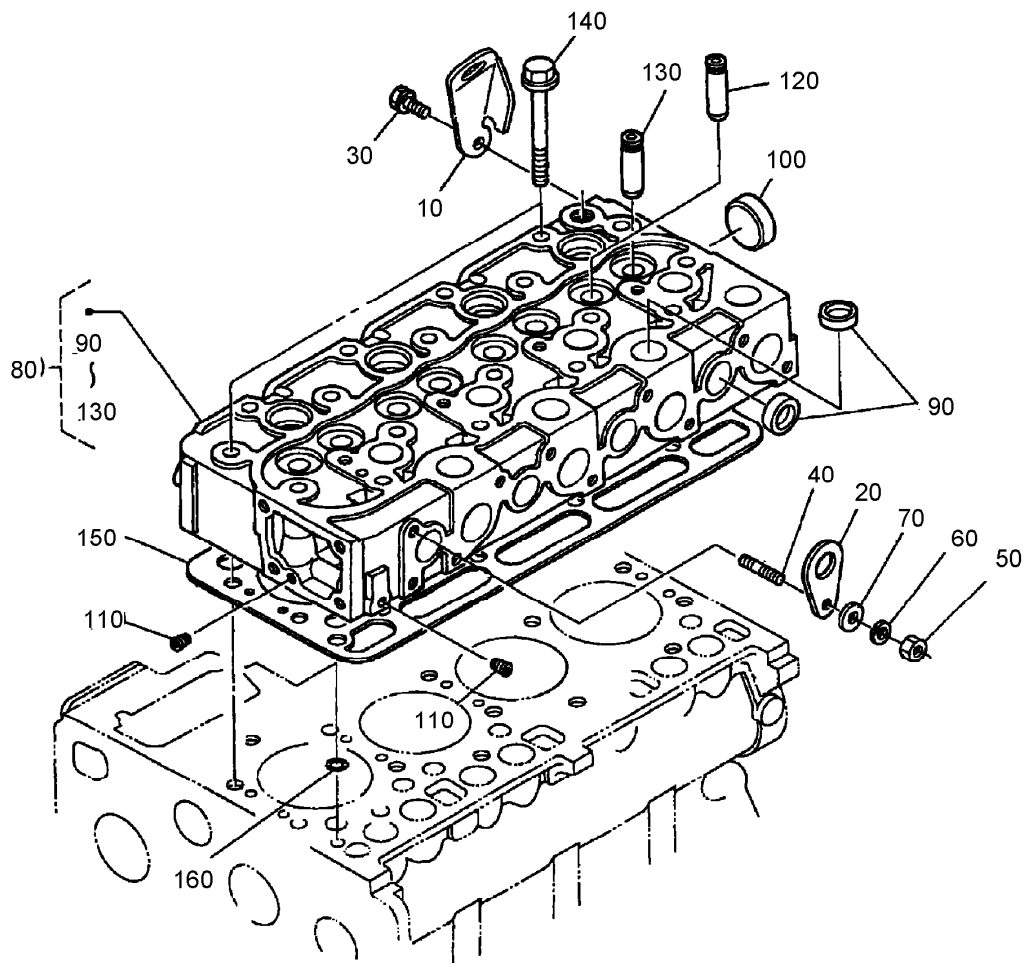
## Crankcase Assembly

<i>Ref.</i>	<i>Part Number</i>	<i>Qty.</i>	<i>Description</i>
10	108-7051	1	Crankcase
20	98-7486	2	Plug
30	98-7487	6	Plug
40	107-0107	2	Plug
50	98-7489	3	Plug
60	98-9668	1	Plug-Expansion
70	98-7500	6	Cap-Sealing
80	98-7501	2	Cap-Sealing
90	98-7502	2	Pin-Straight
100	98-7503	2	Pin-Straight
110	98-7504	2	Pin-Straight
120	98-7505	1	Pin-Straight
130	98-7506	1	Pin-Pipe
140	98-7509	1	O-Ring
150	100-9153	1	Pipe-Return, Water



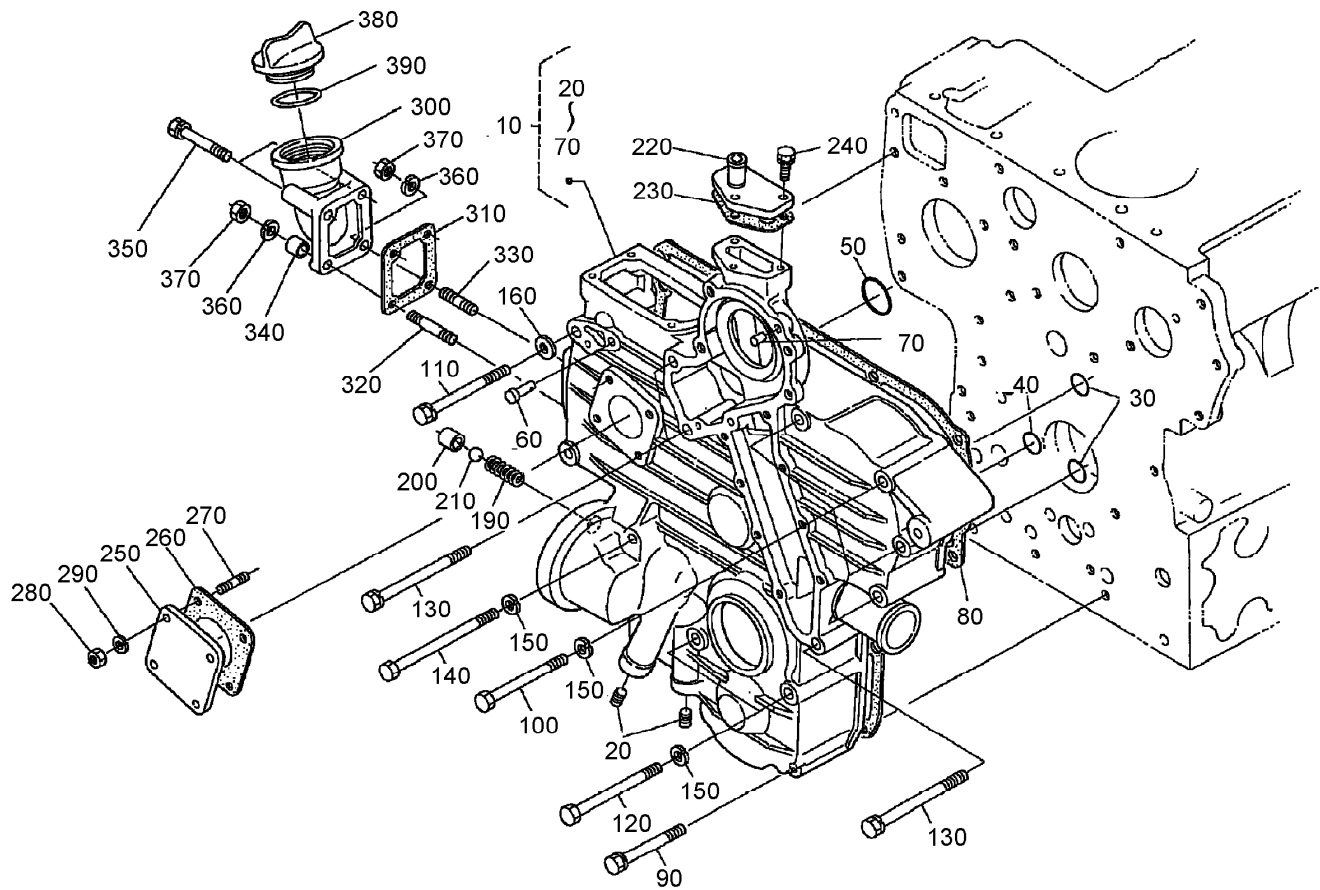
## Oil Pan Assembly

<i>Ref.</i>	<i>Part Number</i>	<i>Qty.</i>	<i>Description</i>
10	98-7520	1	Pan-Oil
20	108-7053	1	Gasket-Pan, Oil
30	98-7522	24	Bolt-Flange
40	98-9386	1	Plug
50	98-7524	1	Gasket
60	98-7529	1	Plug-Drain
70	98-7528	1	O-Ring
80	98-7525	1	Filter-Oil
90	98-7526	1	Bolt
100	108-7054	1	O-Ring



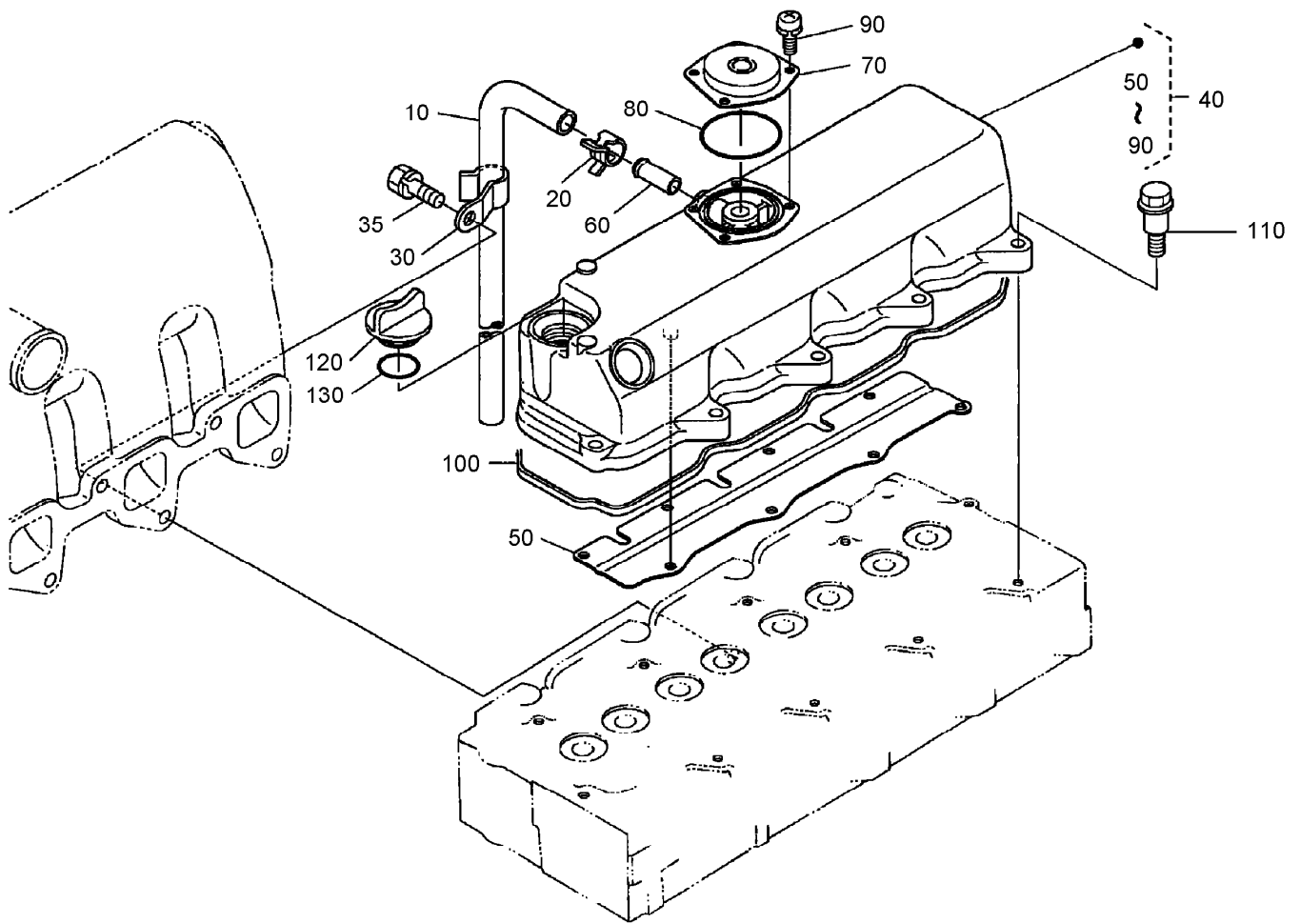
## Cylinder Head Assembly

Ref.	Part Number	Qty.	Description
10	98-7530	1	Hook-Engine
20	98-7531	1	Hook-Engine
30	98-7526	1	Bolt
40	98-7533	2	*obs* Stud
50	100-1559	1	Nut-Manifold, Exhaust
60	105-2893	1	Washer-Spring
70	98-7536	1	Washer-Plain
80	108-7055	1	Head-Cylinder
90	98-7538	12	Cap-Sealing
100	98-7539	1	Cap-Sealing
110	98-7540	2	Plug
120	98-7541	4	Guide-Valve, Intake
130	98-7542	4	Guide-Valve, Exhaust
140	98-7543	18	Bolt-Head, Cylinder
150	100-9160	1	Gasket-Head, Cylinder
160	98-7509	1	O-Ring



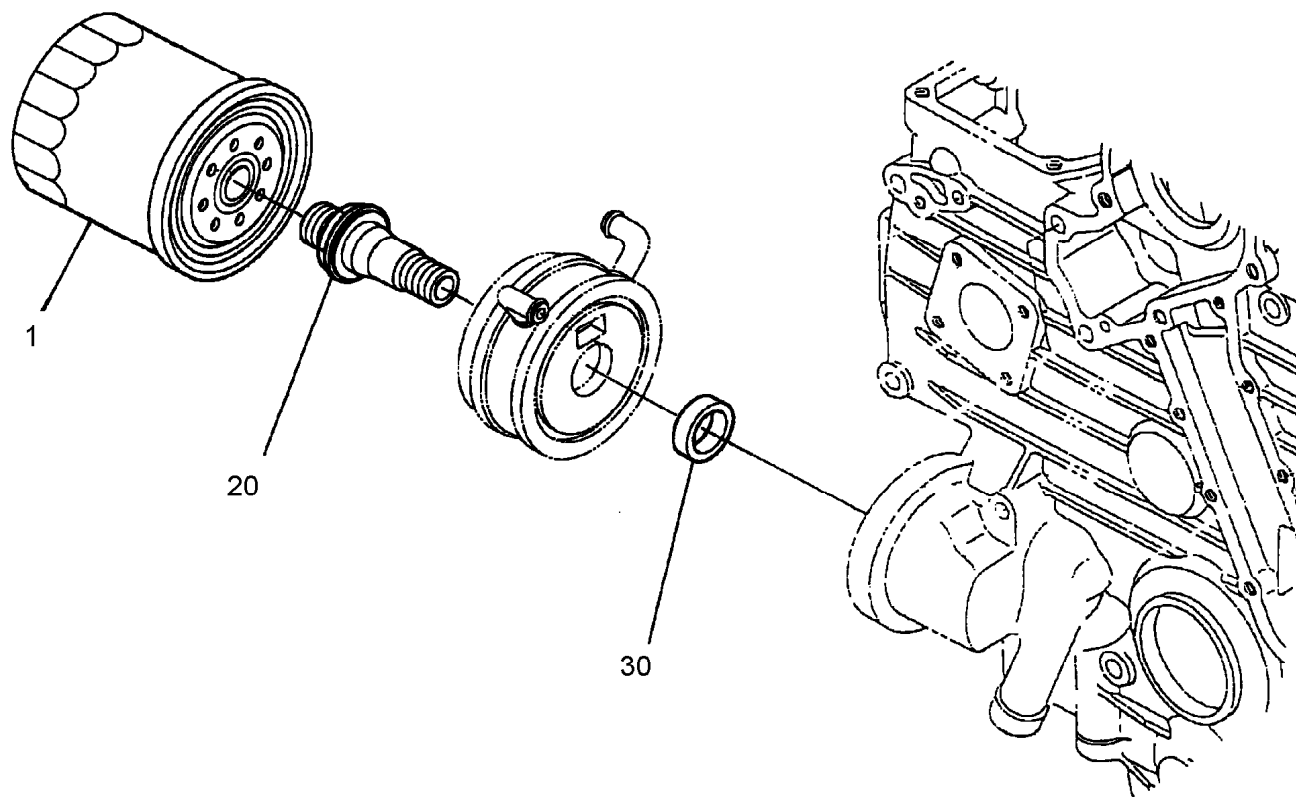
## Gear Case Assembly

<i>Ref.</i>	<i>Part Number</i>	<i>Qty.</i>	<i>Description</i>	<i>Ref.</i>	<i>Part Number</i>	<i>Qty.</i>	<i>Description</i>
10	100-9161	1	Gearcase ASM	220	98-7566	1	Flange-Return, Water
20	107-0108	2	Plug	230	98-7567	1	Gasket
30	107-0104	2	O-Ring	240	98-7568	3	Bolt
40	107-0105	1	O-Ring	250	98-7569	1	Cover
50	107-0106	1	O-Ring	260	98-7570	1	Gasket-Meter, Hour
60	98-7550	1	Pin-Spring, Start	270	98-7571	4	Stud
70	98-7504	2	Pin-Straight	280	98-7572	4	Nut
80	98-7552	1	Packing-Case, Gear	290	98-7699	4	Washer-Spring
90	98-7553	2	Bolt	300	100-9162	1	Flange-Filter, Oil
100	99-8336	5	Bolt	310	100-9163	1	Gasket
110	98-7555	1	Bolt	320	98-7571	1	Stud
120	98-7556	2	Bolt	330	100-9164	1	Stud
130	98-7557	3	Bolt	340	100-9165	1	Collar
140	98-7558	2	Bolt	350	107-9073	2	Bolt
150	105-2893	9	Washer-Spring	360	98-7699	2	Washer-Spring
160	98-7536	1	Washer-Plain	370	98-7572	2	Nut
190	98-7563	1	Spring	380	98-7429	1	Plug-Filter, Oil
200	98-7564	1	Seat-Valve	390	108-7064	1	O-Ring
210	98-7565	1	Ball				



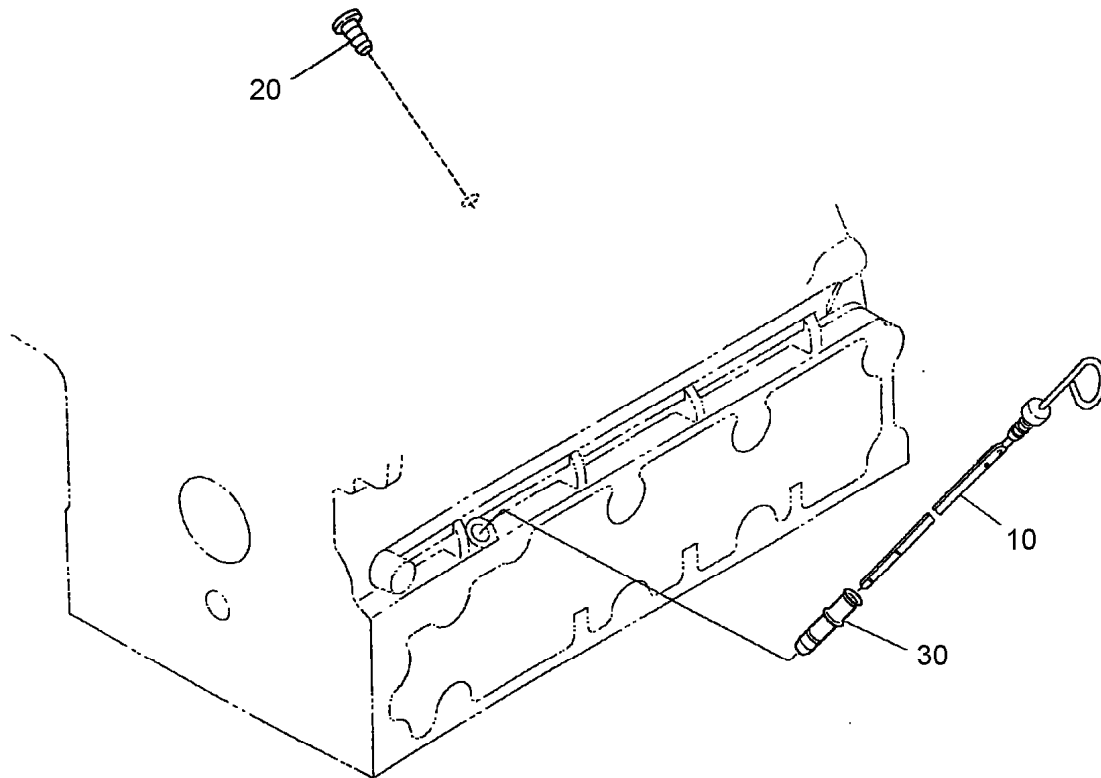
## Head Cover Assembly

<i>Ref.</i>	<i>Part Number</i>	<i>Qty.</i>	<i>Description</i>
10	108-7056	1	Tube-Breather
20	108-2859	1	Clamp-Hose
30	108-7057	1	Clamp-Tube, Breather
35	98-7610	1	Bolt
40	108-7058	1	Cylinder Head Cover ASM
50	108-7059	1	Shield-Breather
60	98-7766	1	Pipe-Return, Water
70	108-7060	1	Cover-Breather
80	108-7061	1	O Ring-Breather
90	98-9364	4	Screw (With Washer)
100	108-7062	1	Gasket-Cover, Head
110	108-7063	10	Bolt
120	98-7429	1	Plug-Filter, Oil
130	108-7064	1	O-Ring



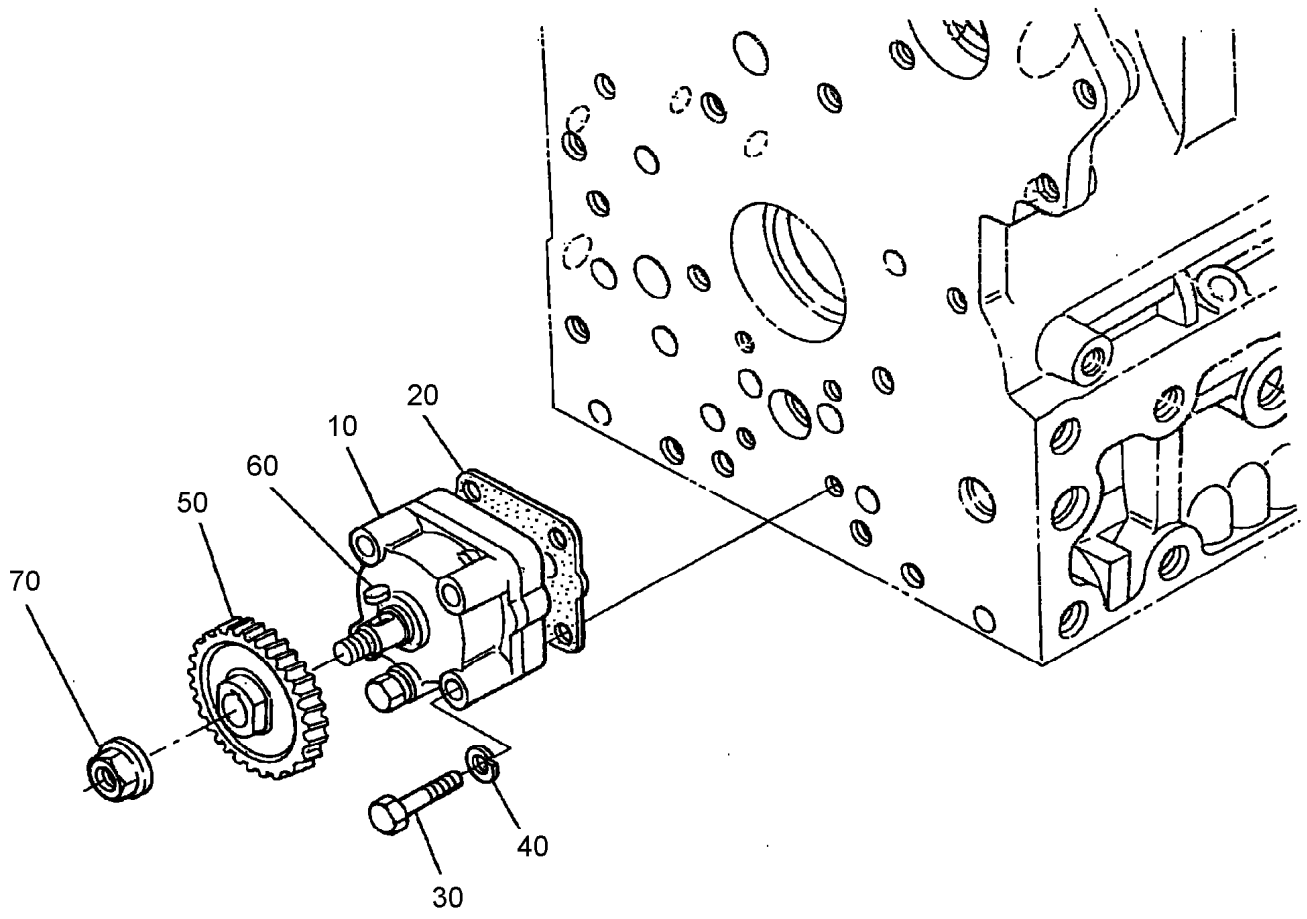
## Oil Filter Assembly

<i>Ref.</i>	<i>Part Number</i>	<i>Qty.</i>	<i>Description</i>
1	104-5169	1	Filter-Oil
20	100-9166	1	Connector
30	100-9167	1	Collar



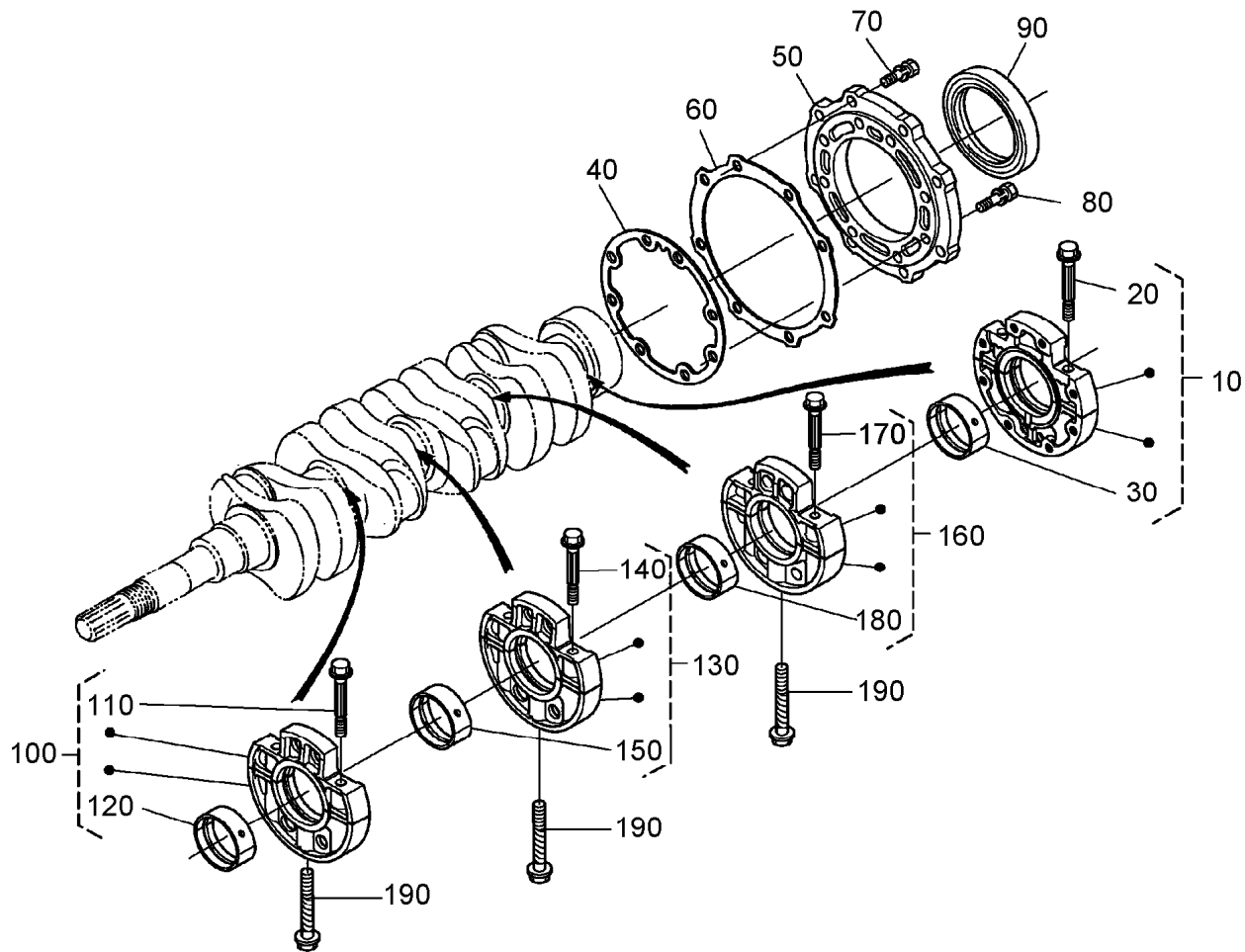
## Dipstick and Guide Assembly

<i>Ref.</i>	<i>Part Number</i>	<i>Qty.</i>	<i>Description</i>
10	105-4579	1	Gauge-Oil
20	100-9169	1	*obs* Plug-Gauge, Oil
30	105-4580	1	Guide-Gauge, Oil



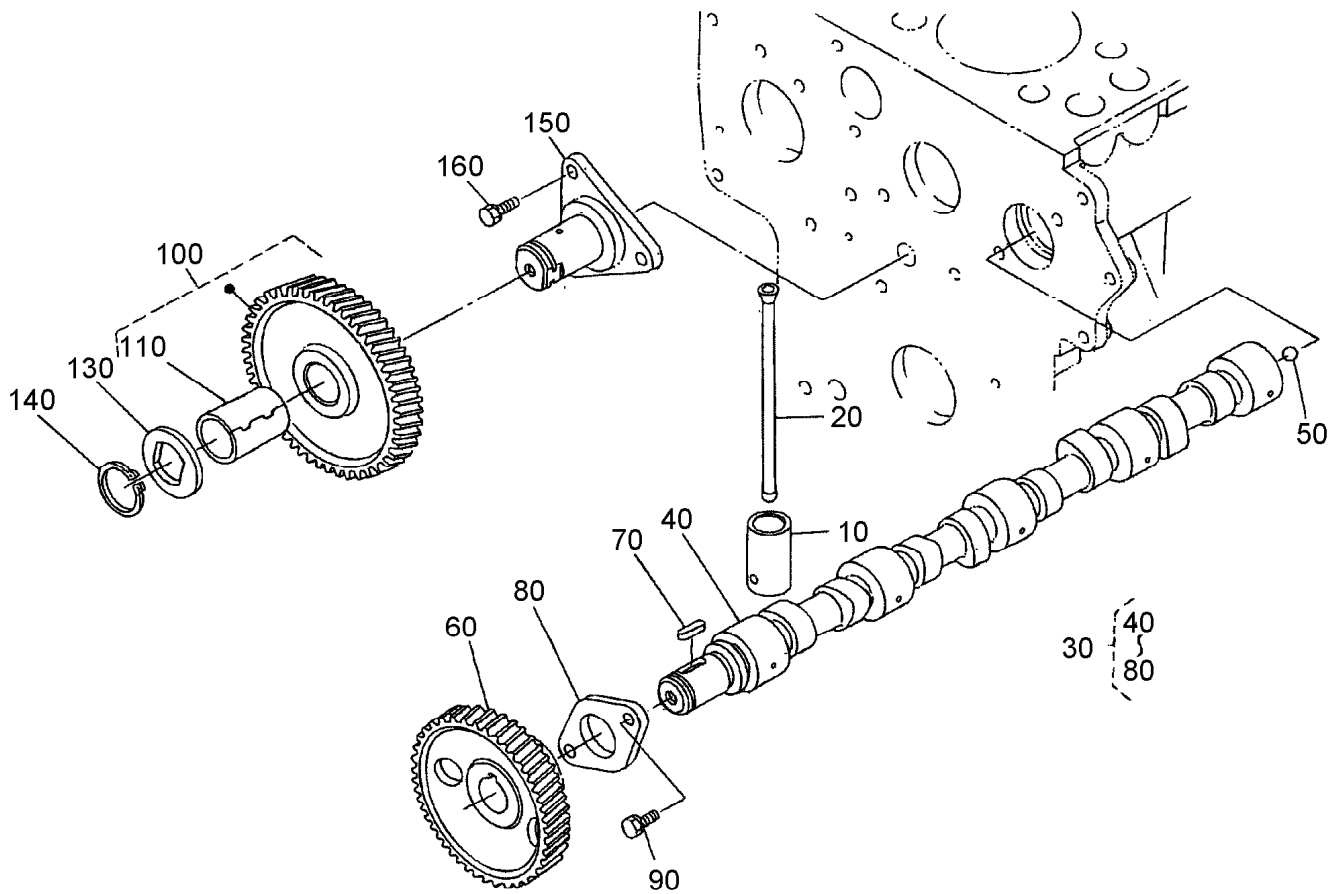
## Oil Pump Assembly

<i>Ref.</i>	<i>Part Number</i>	<i>Qty.</i>	<i>Description</i>
10	100-9170	1	Oil Pump ASM
20	98-7513	1	Gasket-Pump, Oil
30	98-7514	4	Bolt
40	98-7699	4	Washer-Spring
50	98-7516	1	Gear-Drive, Oil Pump
60	98-7517	1	Key-Feather
70	98-7518	1	Nut-Flange



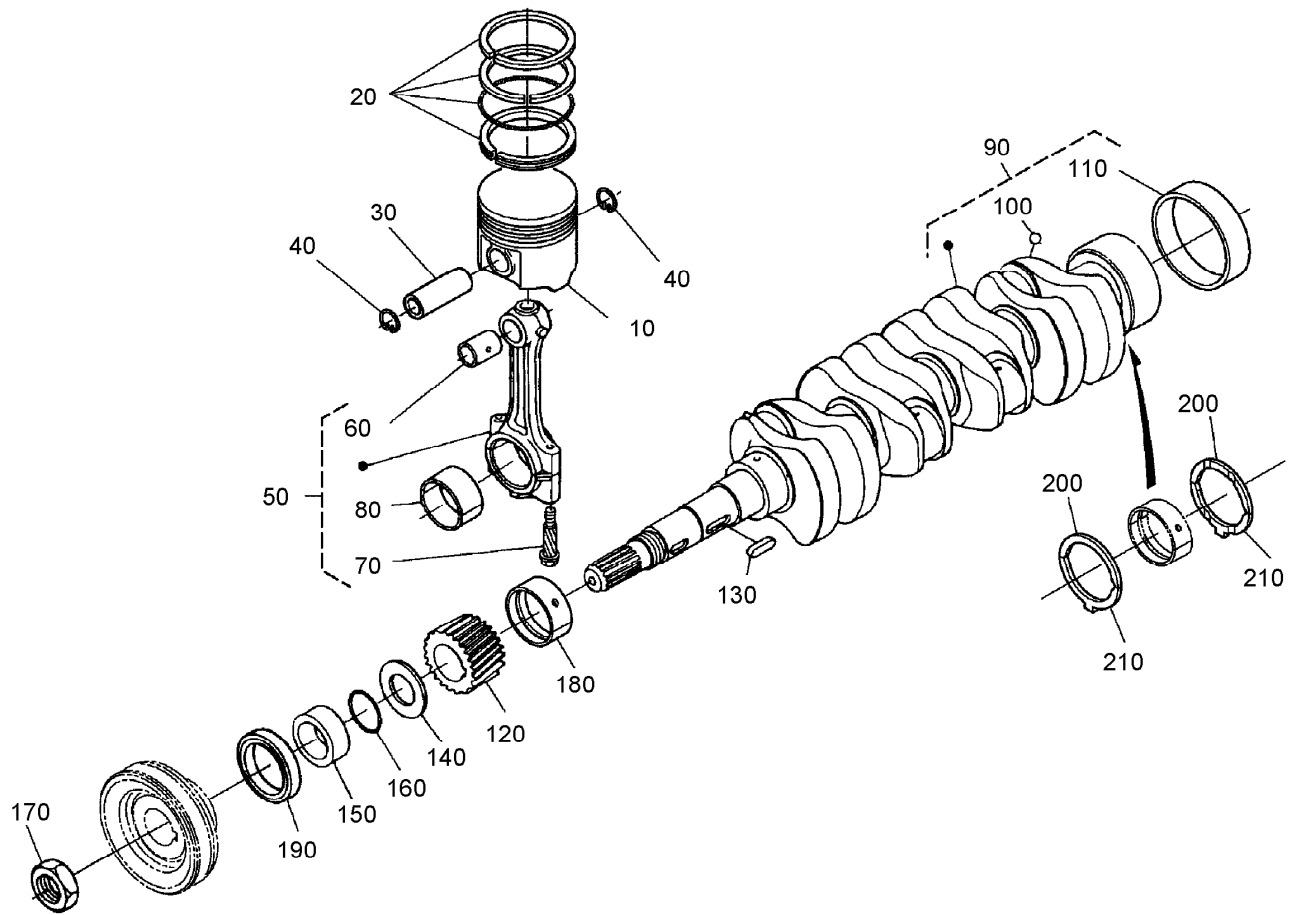
## Main Bearing Case

<i>Ref.</i>	<i>Part Number</i>	<i>Qty.</i>	<i>Description</i>	<i>Ref.</i>	<i>Part Number</i>	<i>Qty.</i>	<i>Description</i>
10	108-7065	1	Wheel Bearing Case ASM	120	108-7069	1	Metal-Crankshaft (-0.40Mm)
20	108-7066	2	Bolt-Case, Bearing	120	108-7068	1	Metal-Crankshaft (-0.20Mm)
30	108-7069	1	Metal-Crankshaft (-0.40Mm)	120	108-7067	1	Metal-Crankshaft (STD)
30	108-7068	1	Metal-Crankshaft (-0.20Mm)	130	108-7074	1	Main Bearing Case ASM
30	108-7067	1	Metal-Crankshaft (STD)	140	108-7066	2	Bolt-Case, Bearing
40	108-7070	1	Gasket-Case, Bearing	150	108-7067	1	Metal-Crankshaft (STD)
50	108-7071	1	Cover-Case, Bearing	150	108-7068	1	Metal-Crankshaft (-0.20Mm)
60	98-7437	1	Gasket-Case Cover, Bearing	150	108-7069	1	Metal-Crankshaft (-0.40Mm)
70	98-7438	8	Bolt	160	108-7097	1	Main Bearing Case ASM
80	98-7439	8	Bolt	170	108-7066	2	Bolt-Case, Bearing
90	108-7072	1	Seal-Oil	180	108-7069	1	Metal-Crankshaft (-0.40Mm)
100	108-7073	1	Main Bearing Case ASM	180	108-7068	1	Metal-Crankshaft (-0.20Mm)
110	108-7066	2	Bolt-Case, Bearing	180	108-7067	1	Metal-Crankshaft (STD)
				190	98-7444	3	Bolt-Case, Bearing



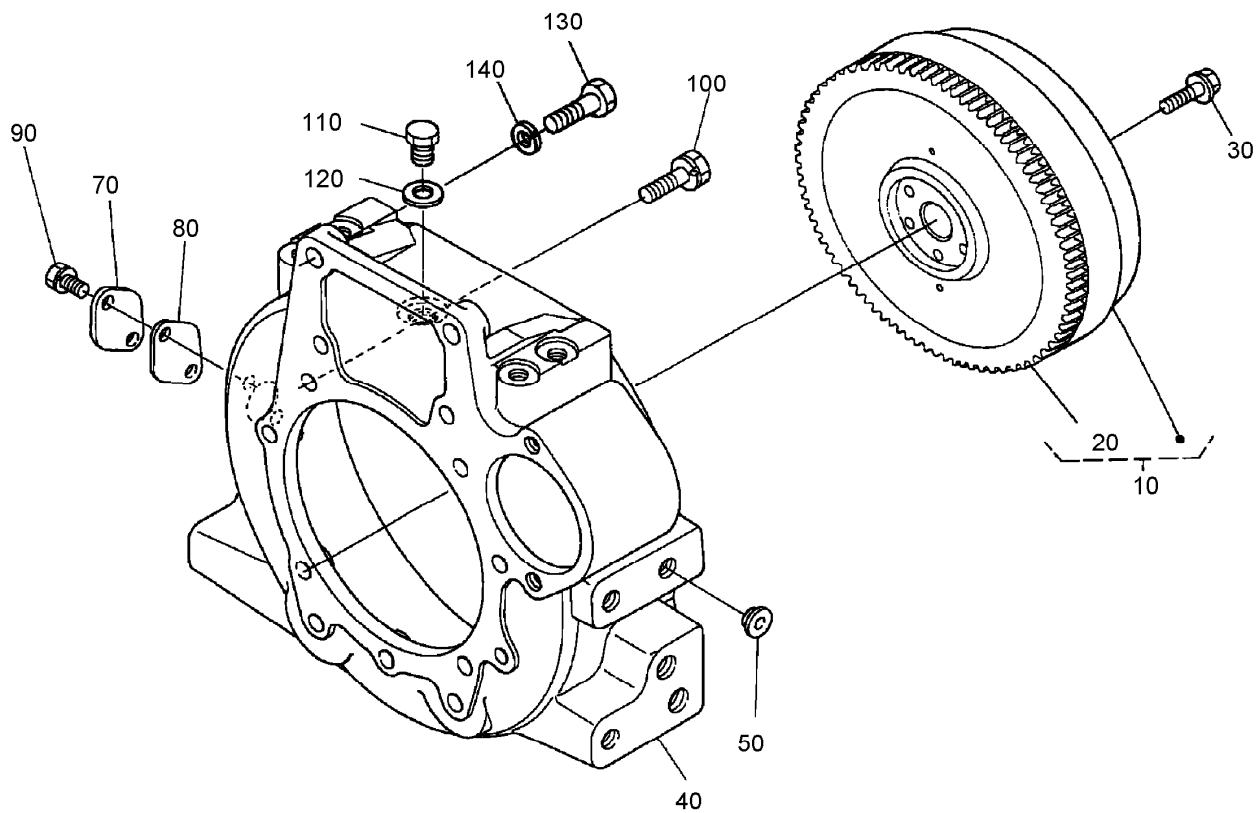
## Camshaft and Idler Gear Shaft Assembly

<i>Ref.</i>	<i>Part Number</i>	<i>Qty.</i>	<i>Description</i>
10	98-7445	8	Tappet
20	98-7446	8	Rod-Push
30	100-9179	1	Camshaft ASM
40	100-9180	1	Camshaft
50	98-7473	1	Ball
60	98-7450	1	Gear-Camshaft
70	98-7451	1	Key-Feather
80	98-7452	1	Stopper-Camshaft
90	98-7453	2	Bolt
100	107-0109	1	Gear-Idler
110	98-7455	1	Bushing-Gear, Idler
130	107-0111	1	Collar
140	107-0112	1	Circlip-External
150	107-0113	1	Shaft-Gear, Idler
160	98-7453	3	Bolt



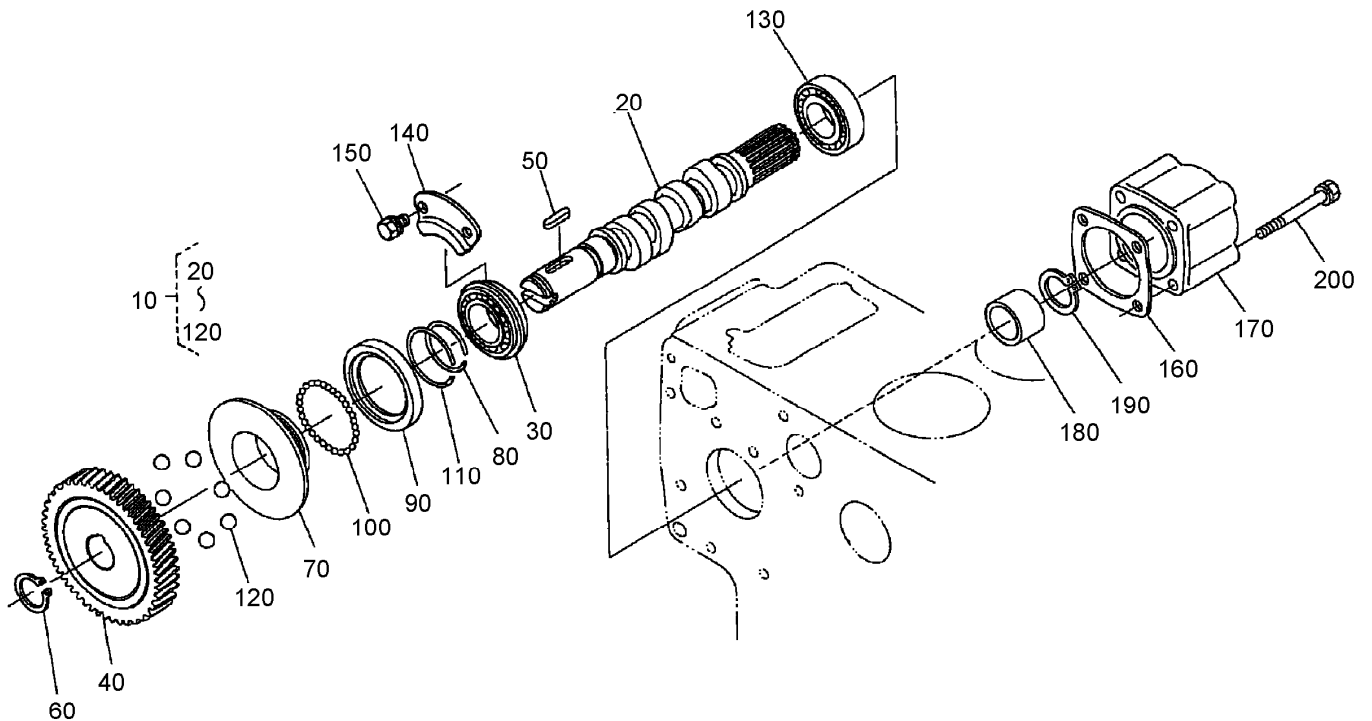
## Piston and Crankshaft Assembly

Ref.	Part Number	Qty.	Description	Ref.	Part Number	Qty.	Description
10	100-9181	4	Piston-STD	130	98-7451	1	Key-Feather
10	99-5435	1	Piston (.50Mm)	140	98-7476	1	Slinger-Oil
20	99-5436	1	Piston Ring ASM (0.50Mm)	150	98-7477	1	Collar-Crankshaft
20	100-9182	4	Piston Ring ASM (STD)	160	98-7478	1	O-Ring
30	98-7464	4	Pin-Piston	170	98-7479	1	Nut-Crankshaft
40	98-7465	8	Clip-Pin, Piston	180	108-7077	1	Metal-Crankshaft (-0.40Mm)
50	98-7466	4	Connecting Rod ASM	180	108-7076	1	Metal-Crankshaft (-0.20Mm)
60	98-7467	4	Bushing-Pin, Piston	180	108-7075	1	Metal-Crankshaft (STD)
70	98-7468	8	Bolt-Rod, Connecting	190	98-7480	1	Seal-Oil
80	98-7471	4	Metal-Crankpin (-0.40Mm)	200	108-7080	2	Metal-Side (+0.40Mm)
80	98-7470	4	Metal-Crankpin (-0.20Mm)	200	108-7079	2	Metal-Side (+0.20Mm)
80	98-7469	4	Metal-Crankpin (STD)	200	108-7078	2	Metal-Side (STD)
90	98-7472	1	Crankshaft-Complete	210	108-7083	2	Metal-Side (+0.40Mm)
100	98-7473	4	Ball	210	108-7082	2	Metal-Side (+0.20Mm)
110	98-7474	1	Sleeve-Crankshaft	210	108-7081	2	Metal-Side (STD)
120	98-7475	1	Gear-Crankshaft				



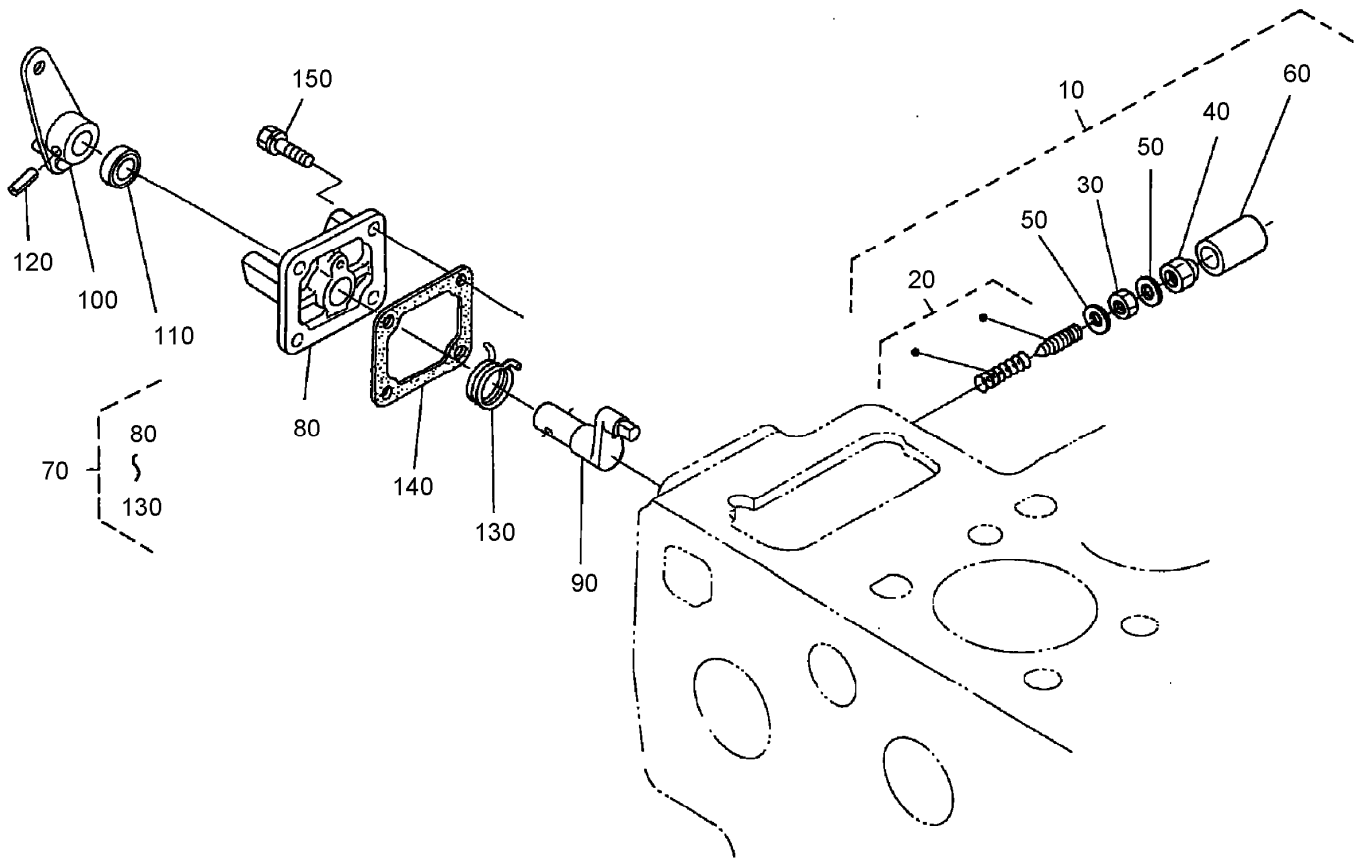
## Flywheel Assembly

<i>Ref.</i>	<i>Part Number</i>	<i>Qty.</i>	<i>Description</i>
10	98-7532	1	Flywheel
20	98-7560	1	Gear-Ring
30	98-7573	6	Bolt-Flywheel
40	98-7559	1	Housing-Flywheel
50	100-9189	2	Plug
70	98-7883	1	Cover
80	98-7886	1	Gasket
90	105-4577	2	Bolt
100	98-7885	11	Bolt
110	98-7546	1	Plug
120	100-9194	1	Washer-Plain
130	107-0114	2	Bolt
140	107-0118	2	Washer-Spring



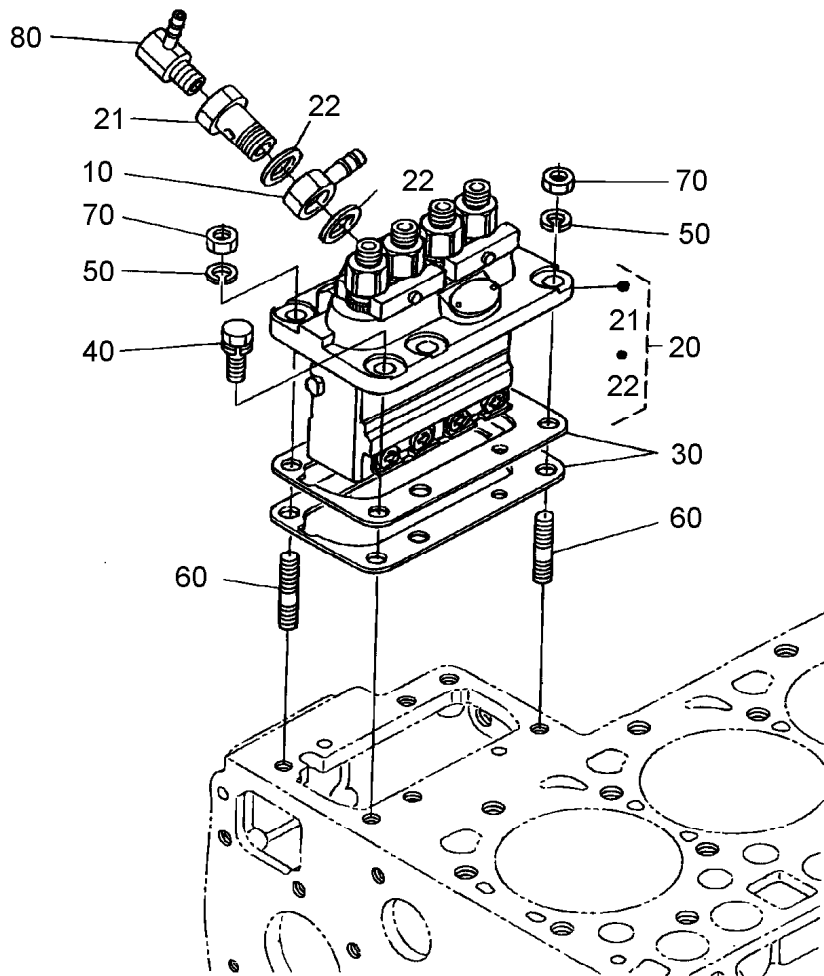
## Fuel Camshaft and Governor Shaft Assembly

<i>Ref.</i>	<i>Part Number</i>	<i>Qty.</i>	<i>Description</i>
10	98-7551	1	Fuel Camshaft ASM
20	98-7508	1	Camshaft-Fuel
30	98-7595	1	Bearing-Ball
40	98-7574	1	Gear-Pump, Injection
50	98-7575	1	Key-Feather
60	98-7576	1	Circlip-External
70	98-7577	1	Sleeve-Governor
80	98-7578	1	Circlip-Sleeve, Governor
90	98-7579	1	Case-Ball, Governor
100	98-7580	39	Ball
110	98-7581	1	Circlip
120	98-7582	7	Ball
130	108-7084	1	Bearing-Ball
140	98-7584	1	Stopper
150	100-9195	2	Bolt
160	98-7588	1	Gasket
170	98-7586	1	Cover-Fuel, Camshaft
180	98-7587	1	Collar
190	98-7589	1	Circlip-External
200	98-7590	4	Bolt



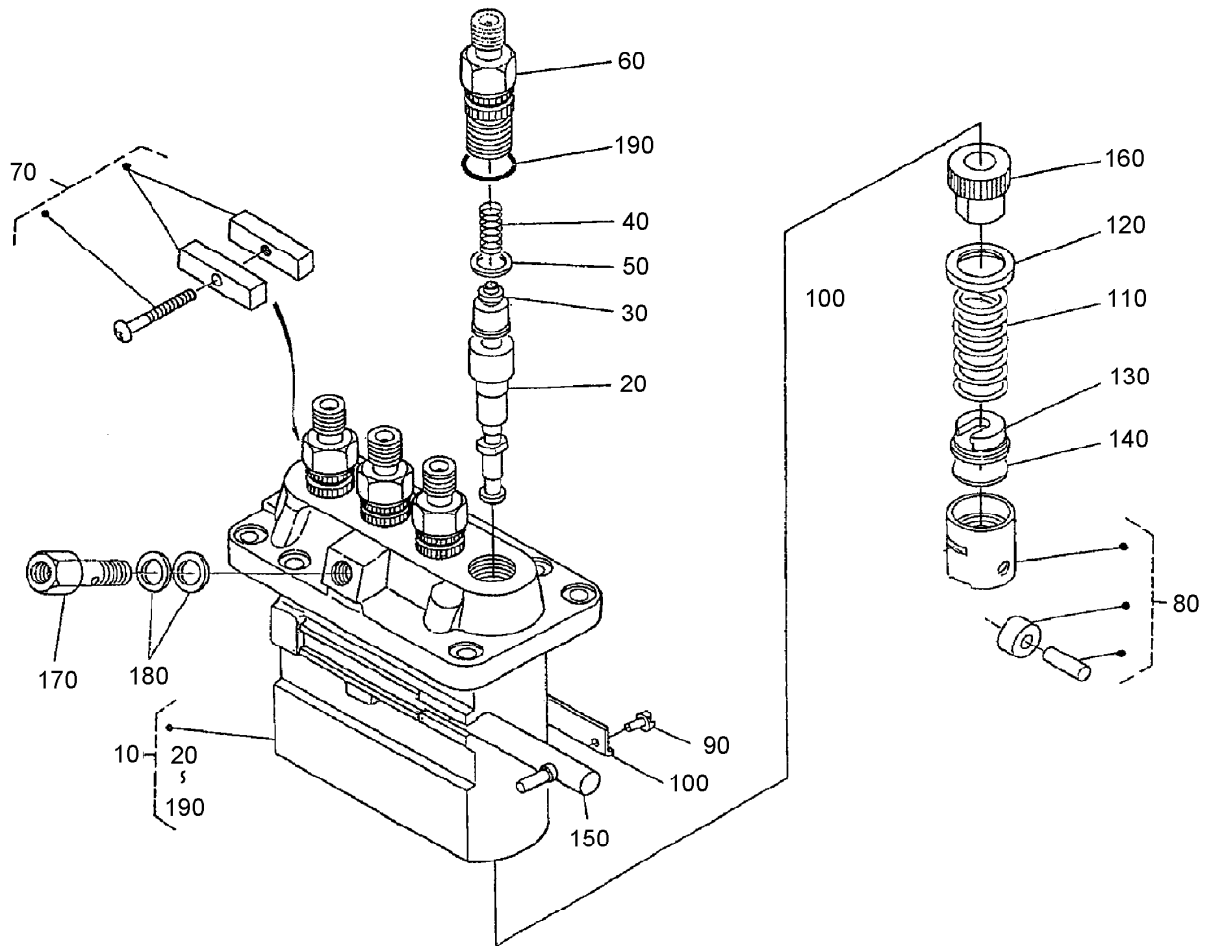
## Engine Stop Lever Assembly

<i>Ref.</i>	<i>Part Number</i>	<i>Qty.</i>	<i>Description</i>
10	98-7591	1	Idle Appartus ASM
20	98-7592	1	Adjusting Bolt ASM
30	98-7593	1	Nut
40	98-7594	1	Nut-Cap
50	98-7428	2	Gasket
60	98-7596	1	Cap
70	100-9198	1	Engine Stop Lever ASM
80	98-7598	1	Cover-Pump, Injection
90	100-9200	1	Shaft-Lever
100	98-7600	1	Lever-Stop, Engine
110	98-7601	1	Seal-Oil
120	98-7602	1	Pin-Spring
130	98-7603	1	Spring-Return
140	98-7604	1	Gasket-Cover, Pump
150	98-7605	4	Bolt



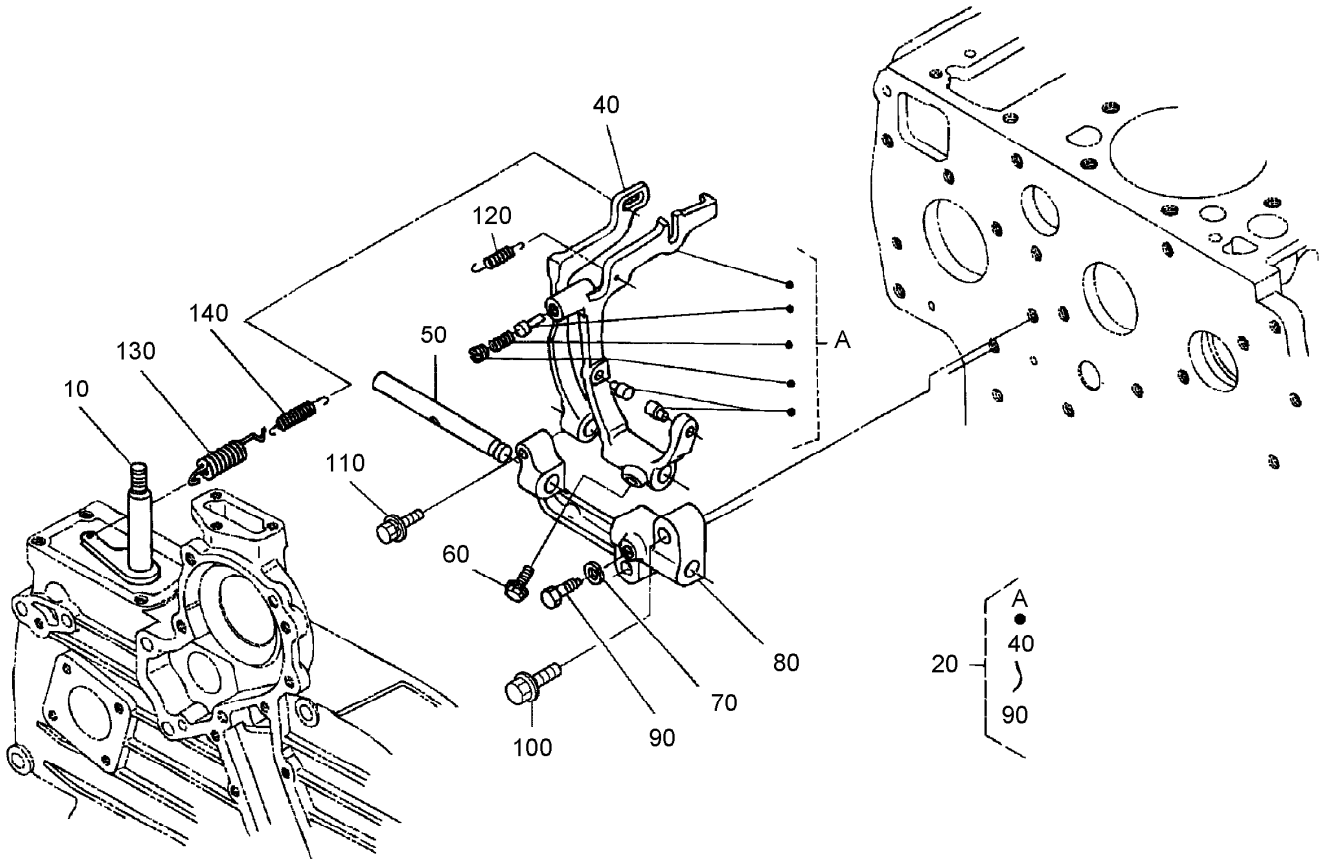
## Injection Pump Assembly

<i>Ref.</i>	<i>Part Number</i>	<i>Qty.</i>	<i>Description</i>
10	98-7617	1	Joint
20	100-9201	1	Injection Pump ASM
21	98-7635	1	Screw
22	98-7636	2	Gasket
30	98-7609	1	Shim-Pump, Injection
30	98-7608	1	Shim
30	98-7607	1	Shim-Pump, Injection (0.200Mm)
40	98-7610	4	Bolt
50	105-2893	2	Washer-Spring
60	100-1558	2	Stud
70	98-7534	2	Nut
80	107-4300	1	Orifice ASM



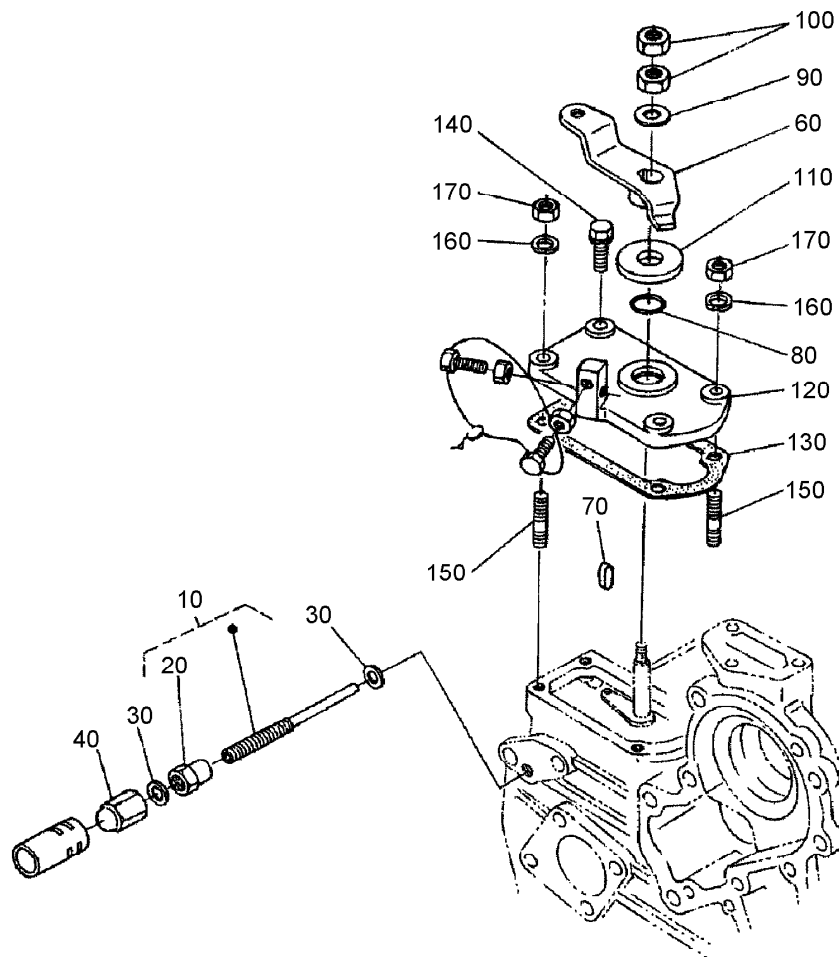
## Injection Pump (Component Part) Assembly

Ref.	Part Number	Qty.	Description
10	100-9201	1	Injection Pump ASM
20	98-7619	4	Plunger-Pump
30	98-7620	4	Valve-Delivery
40	98-7621	4	Spring-Valve, Delivery
50	98-7622	4	Gasket-Valve, Delivery
60	98-7623	4	Holder-Valve, Delivery
70	98-7624	2	Lock Plate ASM
80	98-7625	4	Tappet ASM
90	98-7626	4	Pin-Guide, Tappet
100	98-7627	2	Plate
110	98-7628	4	Spring-Plunger
120	98-7629	4	Seat-Spring, Upper
130	98-7630	4	Seat-Spring, Lower
140	98-7631	4	Shim
150	98-7632	1	Rack-Control
160	98-7634	4	Sleeve-Control
170	98-7635	1	Screw
180	98-7636	2	Gasket
190	98-7637	4	O-Ring



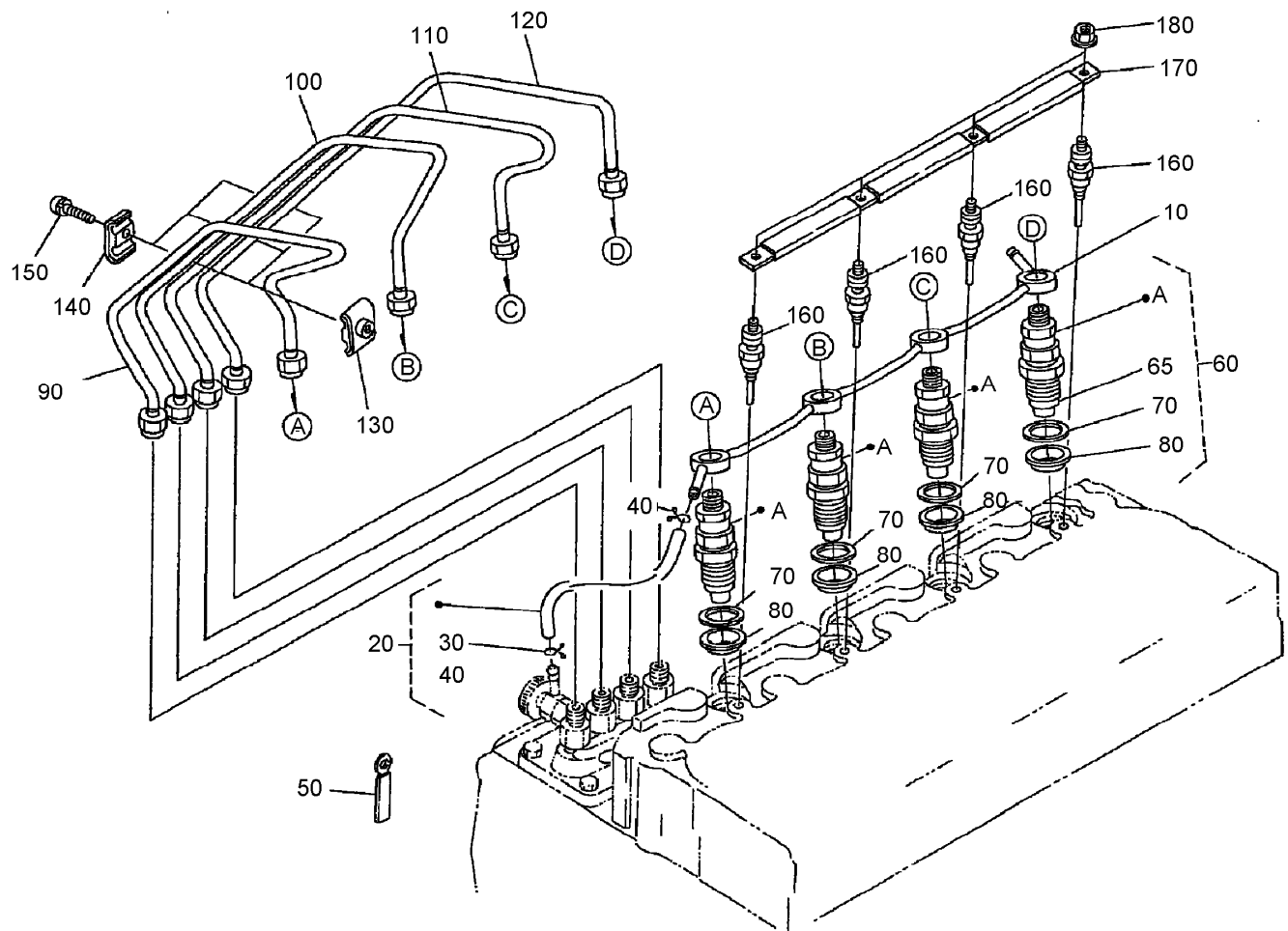
## Governor Assembly

<i>Ref.</i>	<i>Part Number</i>	<i>Qty.</i>	<i>Description</i>
10	98-7638	1	Lever-Governor
20	100-9204	1	Lever-Fork
40	100-9206	1	Lever-Fork
50	107-0120	1	Shaft-Lever, Fork
60	107-0116	1	Bolt-Flange
70	98-7699	1	Washer-Spring
80	98-7643	1	Holder-Lever, Fork
90	98-7644	1	Bolt
100	108-7085	2	Bolt-Flange
110	108-7086	1	Bolt
120	100-9207	1	Spring-Start
130	100-9208	1	Spring-Governor
140	98-7651	1	Spring-Governor



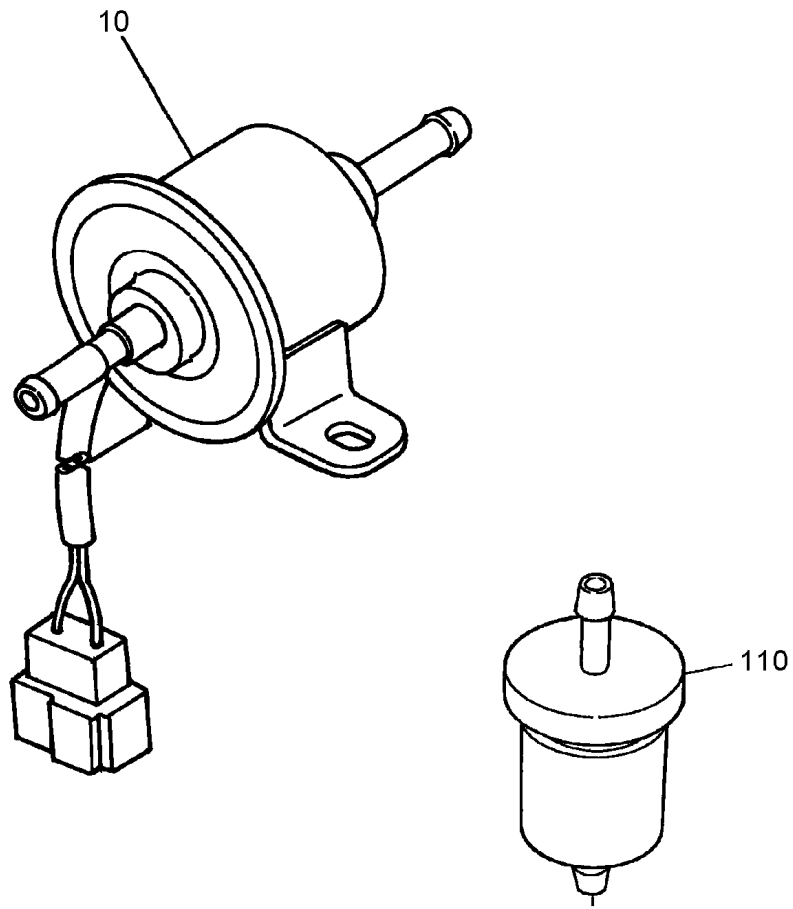
## Speed Control Plate Assembly

<i>Ref.</i>	<i>Part Number</i>	<i>Qty.</i>	<i>Description</i>
10	107-0132	1	Adjustable Bolt ASM
20	98-7653	1	Nut
30	98-7654	2	Gasket
40	98-7655	1	Nut-Cap
60	98-7657	1	Lever-Control, Speed
70	98-7658	1	Key-Feather
80	108-7087	1	O Ring
90	98-7660	1	Washer-Plain
100	98-7661	2	Nut
110	98-7662	1	Collar
120	98-7663	1	Plate-Control, Speed
130	98-7664	1	Gasket
140	98-7568	2	Bolt
150	98-7571	2	Stud
160	98-7699	2	Washer-Spring
170	98-7572	2	Nut



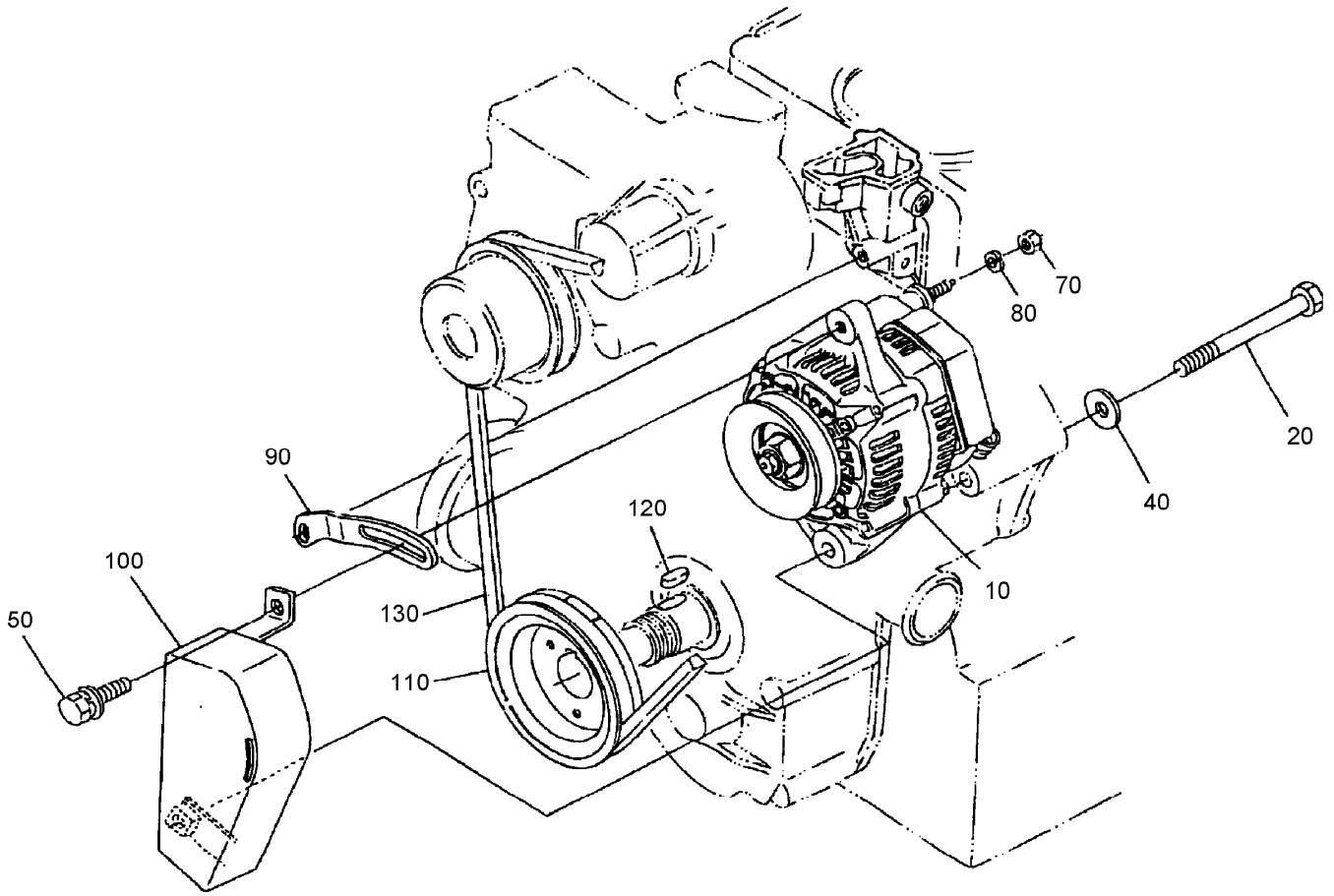
## Nozzle Holder and Glow Plug Assembly

Ref.	Part Number	Qty.	Description
10	100-9213	1	Overflow Pipe ASM
20	98-7670	1	Overflow Pipe ASM
30	98-7671	1	Clip-Pipe
40	98-7672	1	Clip-Pipe
50	98-7673	1	Clamp-Cord
60	100-9214	1	Nozzle Holder Kit
65	100-9215	4	Piece-Nozzle
70	98-7676	4	Gasket
80	98-7677	4	Seal-Heat
90	100-9216	1	Pipe-Injection
100	100-9217	1	Pipe-Injection
110	100-9218	1	Pipe-Injection
120	100-9219	1	Pipe-Injection
130	98-7682	3	Clamp-Pipe
140	98-7683	3	Clamp-Pipe
150	98-9364	3	Screw (With Washer)
160	98-7685	4	Plug-Glow
170	98-7686	1	Cord-Plug, Glow
180	99-8377	4	Nut-Flange



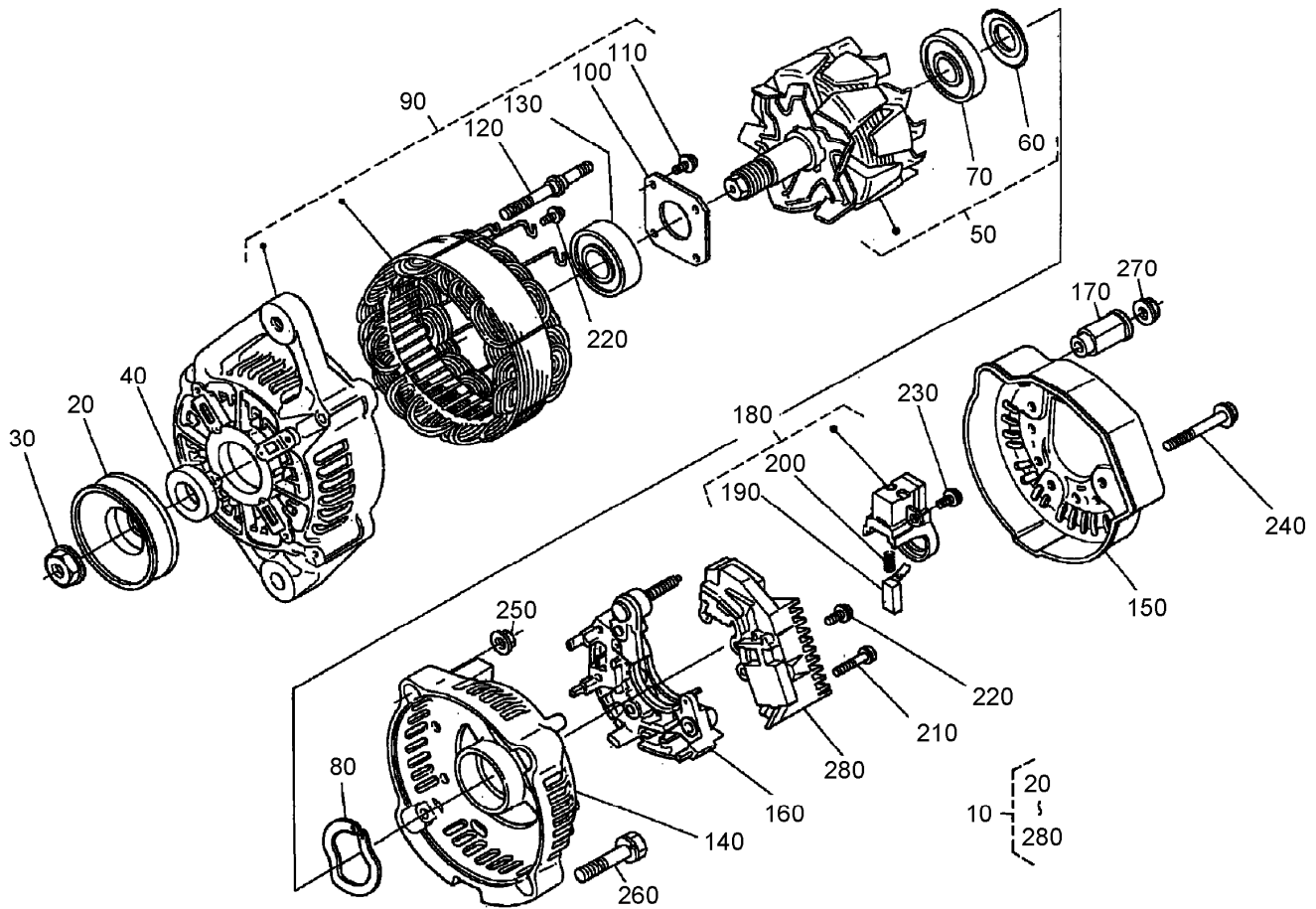
## Fuel Filter and Fuel Pump

<i>Ref.</i>	<i>Part Number</i>	<i>Qty.</i>	<i>Description</i>
10	107-0122	1	Pump-Fuel, Electric
110	98-7612	1	Filter-Fuel



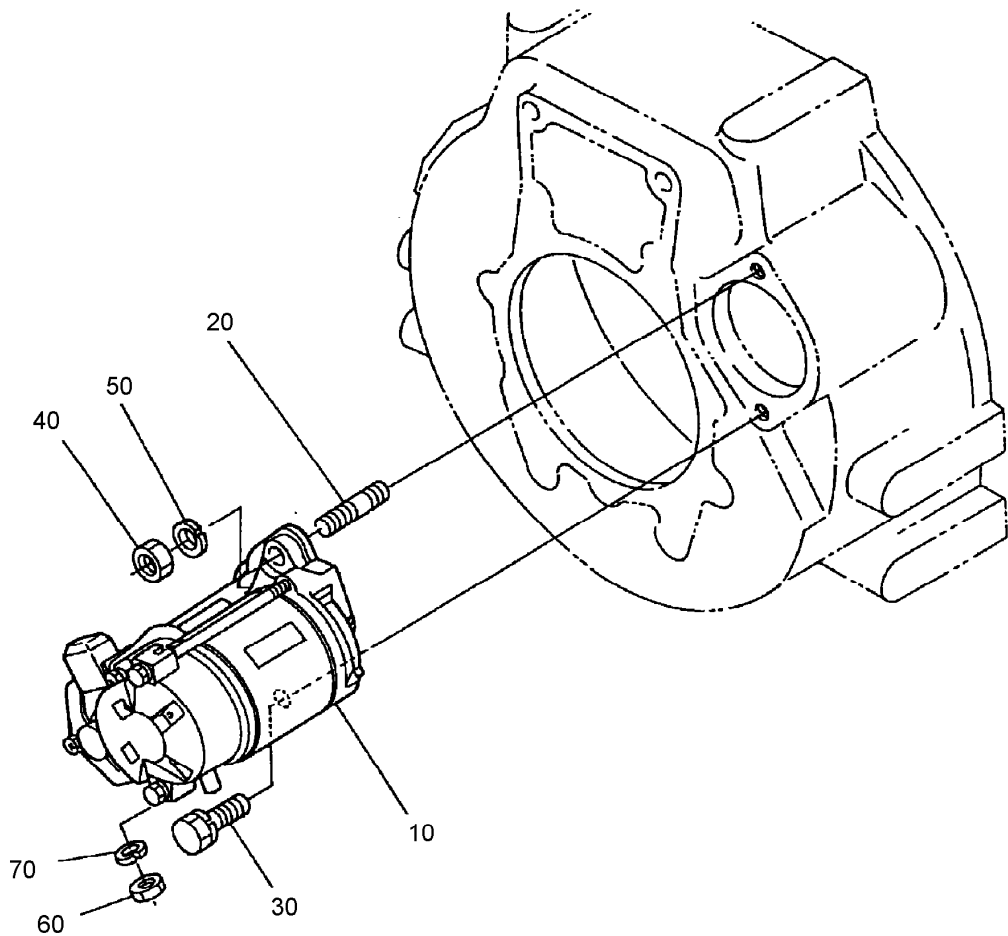
## Alternator and Pulley Assembly

<i>Ref.</i>	<i>Part Number</i>	<i>Qty.</i>	<i>Description</i>
10	98-7693	1	Alternator ASM
20	98-7695	1	Bolt
40	98-9366	1	Washer-Plain
50	108-7088	1	Bolt
70	98-7572	1	Nut
80	98-7699	1	Washer-Spring
90	105-2872	1	Bracket-Alternator
100	98-7701	1	Cover-Belt
110	106-2044	1	Pulley-Drive, Fan
120	98-7451	1	Key-Feather
130	98-7705	1	V-Belt



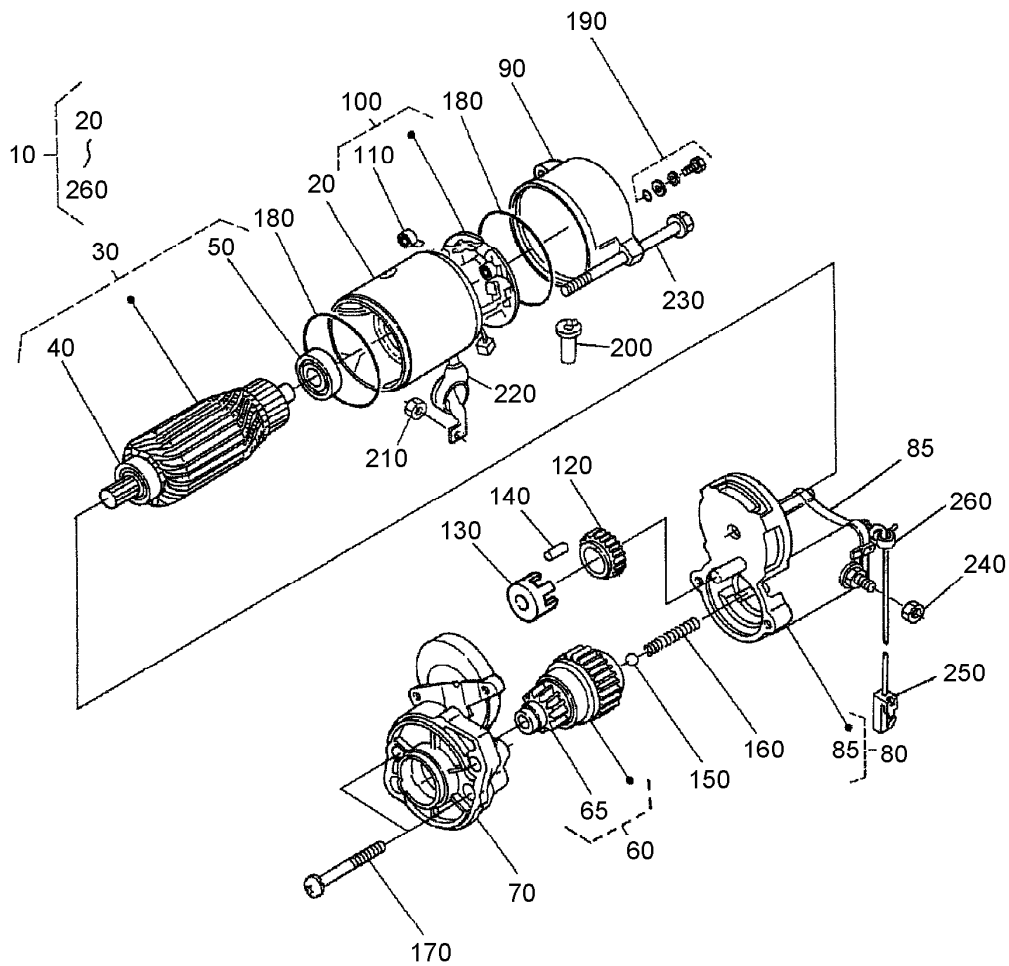
## Alternator (Component Part) Assembly

<i>Ref.</i>	<i>Part Number</i>	<i>Qty.</i>	<i>Description</i>	<i>Ref.</i>	<i>Part Number</i>	<i>Qty.</i>	<i>Description</i>
10	107-0145	1	Alternator ASM	150	107-0140	1	Cover-End
20	98-7707	1	Pulley-Alternator	160	98-7721	1	Rectifier ASM
30	98-7708	1	Nut	170	98-7722	1	Bushing-Insulation
40	98-7709	1	Collar	180	107-0141	1	Brush Holder ASM
50	107-0136	1	Rotor ASM	190	98-7724	2	Brush
60	98-7711	1	Cover-Bearing	200	98-7725	2	Spring-Brush
70	107-0138	1	Bearing-Ball	210	98-7726	2	Screw-Head, Round
80	98-7713	1	Washer-Thrust	220	98-7727	6	Screw-Head, Round
90	107-0139	1	Drive End Frame ASM	230	98-7728	1	Screw-Head, Round
100	98-7715	1	Plate-Retainer	240	98-7729	3	Bolt
110	98-7716	4	Screw-Head, Round	250	98-7730	2	Nut
120	98-7717	2	Bolt-Through	260	98-7731	2	Bolt
130	107-0137	1	Bearing-Ball	270	98-7732	1	Nut
140	98-7719	1	Frame-End	280	107-9088	1	Regulator ASM



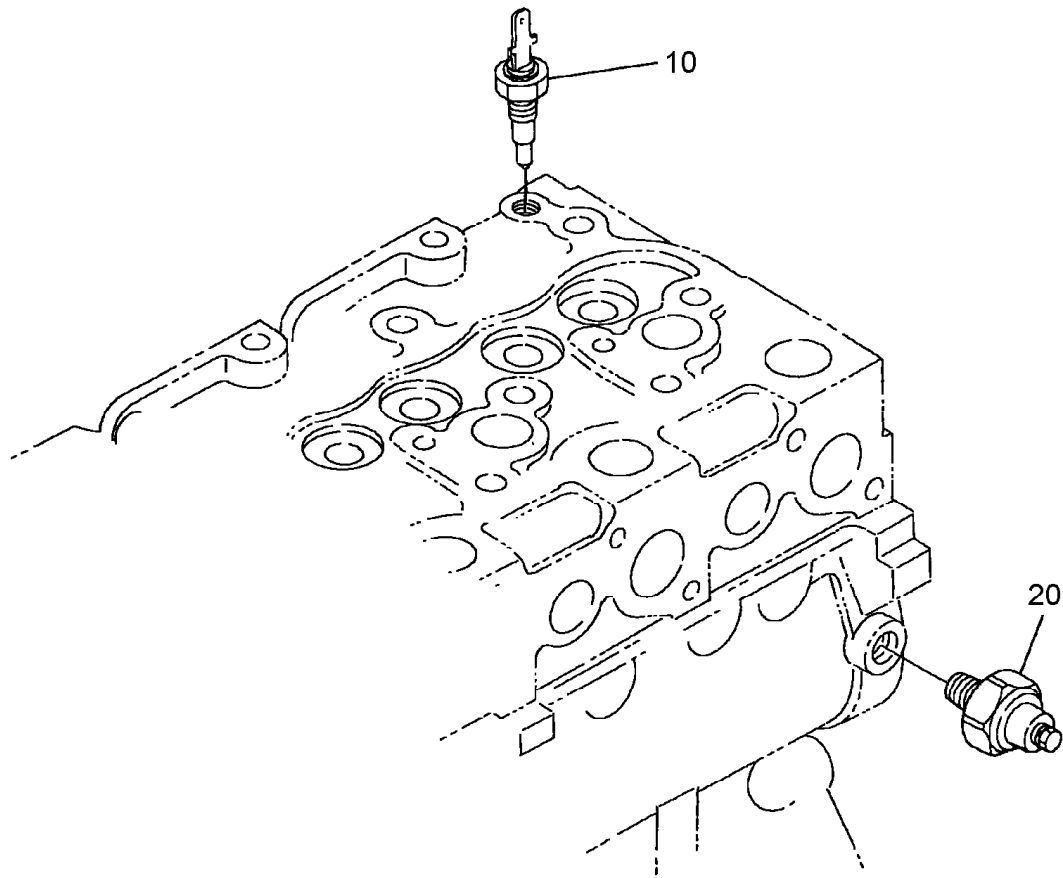
## Starter Assembly

<i>Ref.</i>	<i>Part Number</i>	<i>Qty.</i>	<i>Description</i>
10	100-9237	1	Starter ASM
20	98-7735	1	Stud
30	98-7736	1	Bolt
40	98-7737	1	Nut
50	98-7738	1	Washer-Spring
60	98-7739	1	Nut
70	105-2893	1	Washer-Spring



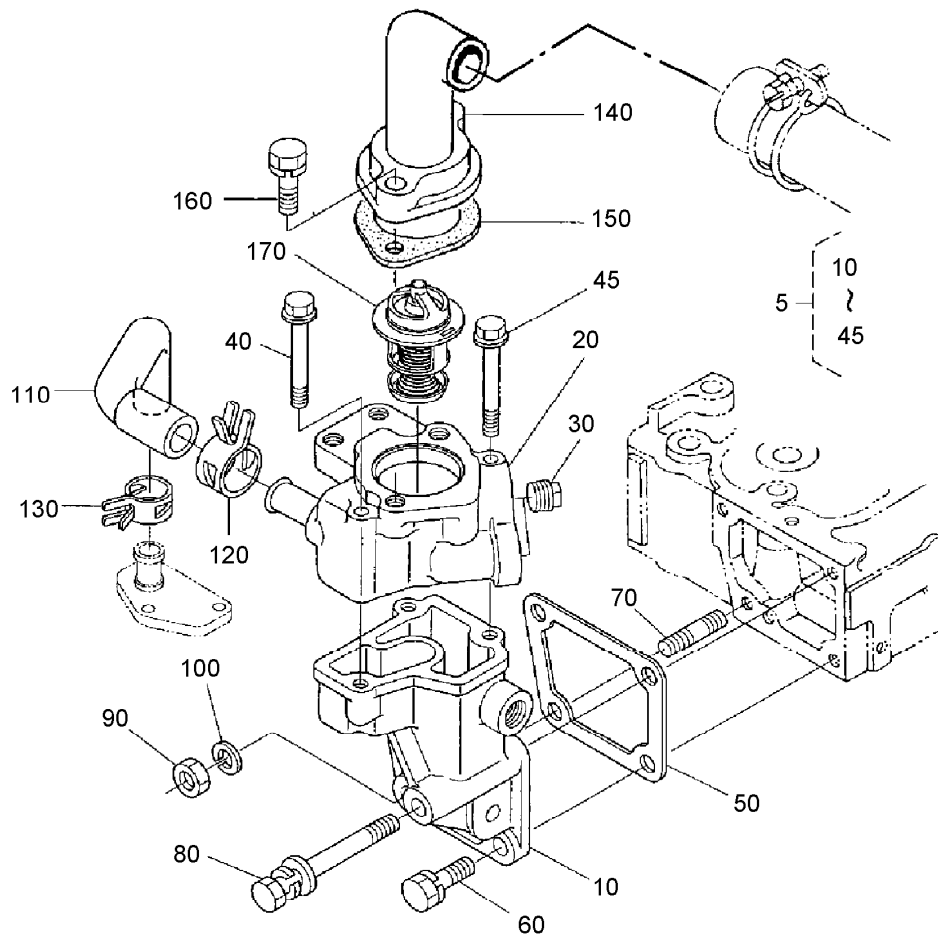
## Starter (Component Part) Assembly

<i>Ref.</i>	<i>Part Number</i>	<i>Qty.</i>	<i>Description</i>	<i>Ref.</i>	<i>Part Number</i>	<i>Qty.</i>	<i>Description</i>
10	100-9237	1	Starter ASM	130	98-7752	1	Retainer
20	104-8608	1	Yoke ASM	140	98-7753	5	Roller
30	98-7742	1	Armature ASM	150	98-7755	1	Ball
40	98-7744	1	Bearing	160	98-7754	1	Spring
50	98-7743	1	Bearing	170	98-7756	2	Bolt
60	98-7745	1	Clutch-Running, Over	180	98-7757	2	O-Ring
65	105-2887	1	Pinion-Bevel	190	98-7758	2	Bolt ASM
70	98-7746	1	Frame-End, Drive	200	98-7759	1	Pipe-Drain
80	100-9239	1	Magnetic Switch ASM	210	99-8371	1	Nut-Hex
85	105-2886	1	Cover ASM	220	99-8375	1	Cover
90	98-7748	1	Frame-End	230	100-9240	2	Bolt
100	98-7749	1	Brush Holder ASM	240	99-8376	1	Nut-Hex
110	98-7750	4	Spring-Brush	250	98-9711	1	Cord-Solenoid, Stop
120	98-7751	1	Gear	260	98-9712	1	Band-Cover



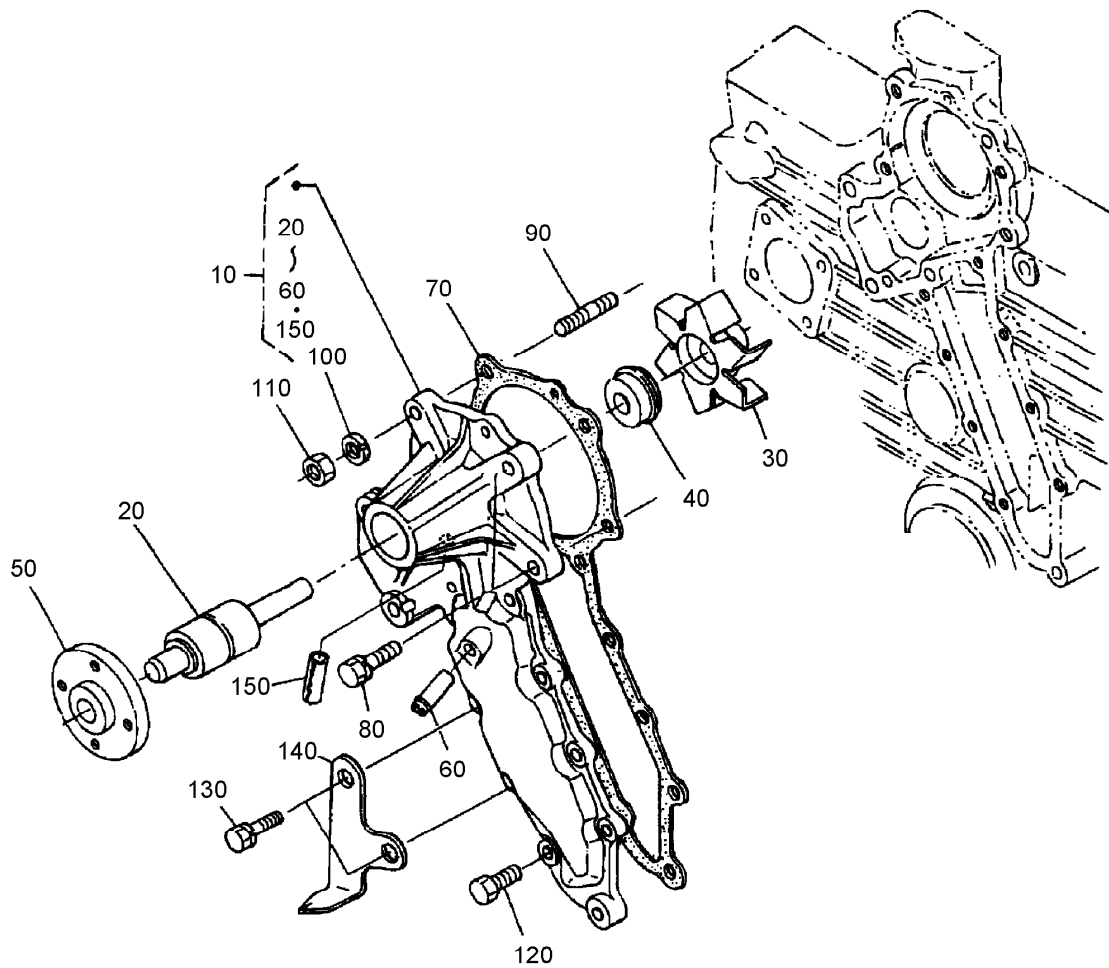
## Oil Switch / Thermometer and Plug Assembly

<i>Ref.</i>	<i>Part Number</i>	<i>Qty.</i>	<i>Description</i>
10	99-3582	1	Thermoswitch
20	98-7764	1	Switch-Oil



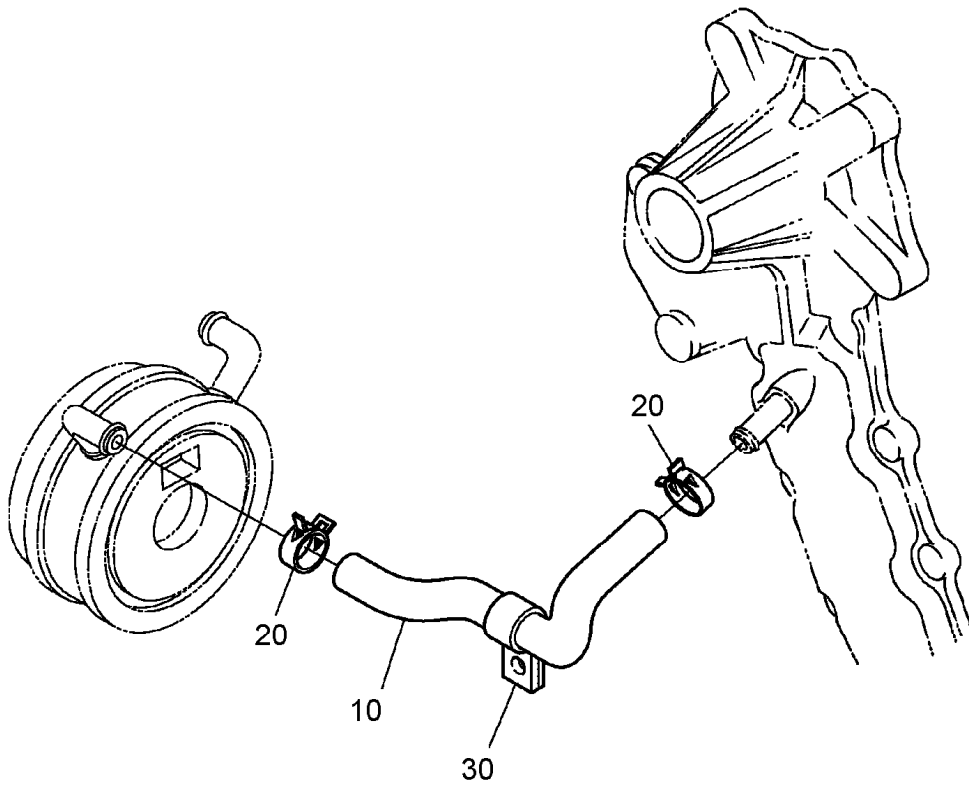
## Water Flange and Thermostat Assembly

<i>Ref.</i>	<i>Part Number</i>	<i>Qty.</i>	<i>Description</i>
5	105-4578	1	Water Flange ASM
10	107-0143	1	Flange-Water
20	107-0144	1	Flange-Water
30	105-2874	2	Plug
40	105-2875	2	Bolt-Flange
40	105-2875	3	Bolt-Flange
45	107-0117	1	Bolt-Flange
50	105-2876	1	Gasket-Flange, Water
60	98-7610	2	Bolt
70	100-1558	1	Stud
80	107-0115	1	Bolt
90	98-7534	1	Nut
100	105-2893	1	Washer-Spring
110	105-2878	1	Pipe-Return, Water
120	98-9714	1	Clamp-Hose
130	105-2879	1	Clamp-Hose
140	100-9244	1	Cover-Thermostat
150	105-3748	1	Gasket-Thermostat
160	98-7777	2	Bolt
170	105-2881	1	Thermostat ASM



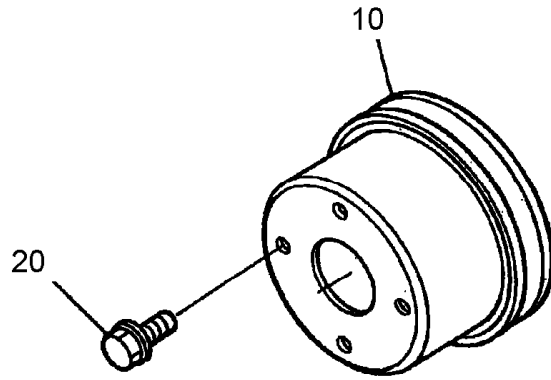
## Water Pump Assembly

<i>Ref.</i>	<i>Part Number</i>	<i>Qty.</i>	<i>Description</i>
10	107-0129	1	Water Pump ASM
20	98-7780	1	Bearing-Ball
30	107-0130	1	Impeller-Pump, Water
40	105-2882	1	Mechanical Seal ASM
50	108-7089	1	Flange-Shaft, Water Pump
60	98-9580	1	Pipe-Return, Water
70	98-7784	1	Gasket-Pump, Water
80	98-7439	2	Bolt
90	108-7090	2	Stud
100	105-2893	2	Washer-Spring
110	98-7534	2	Nut
120	98-7605	6	Bolt
130	98-7568	2	Bolt
140	100-9246	1	Indicator-Timing
150	107-0131	1	Pin-Spring



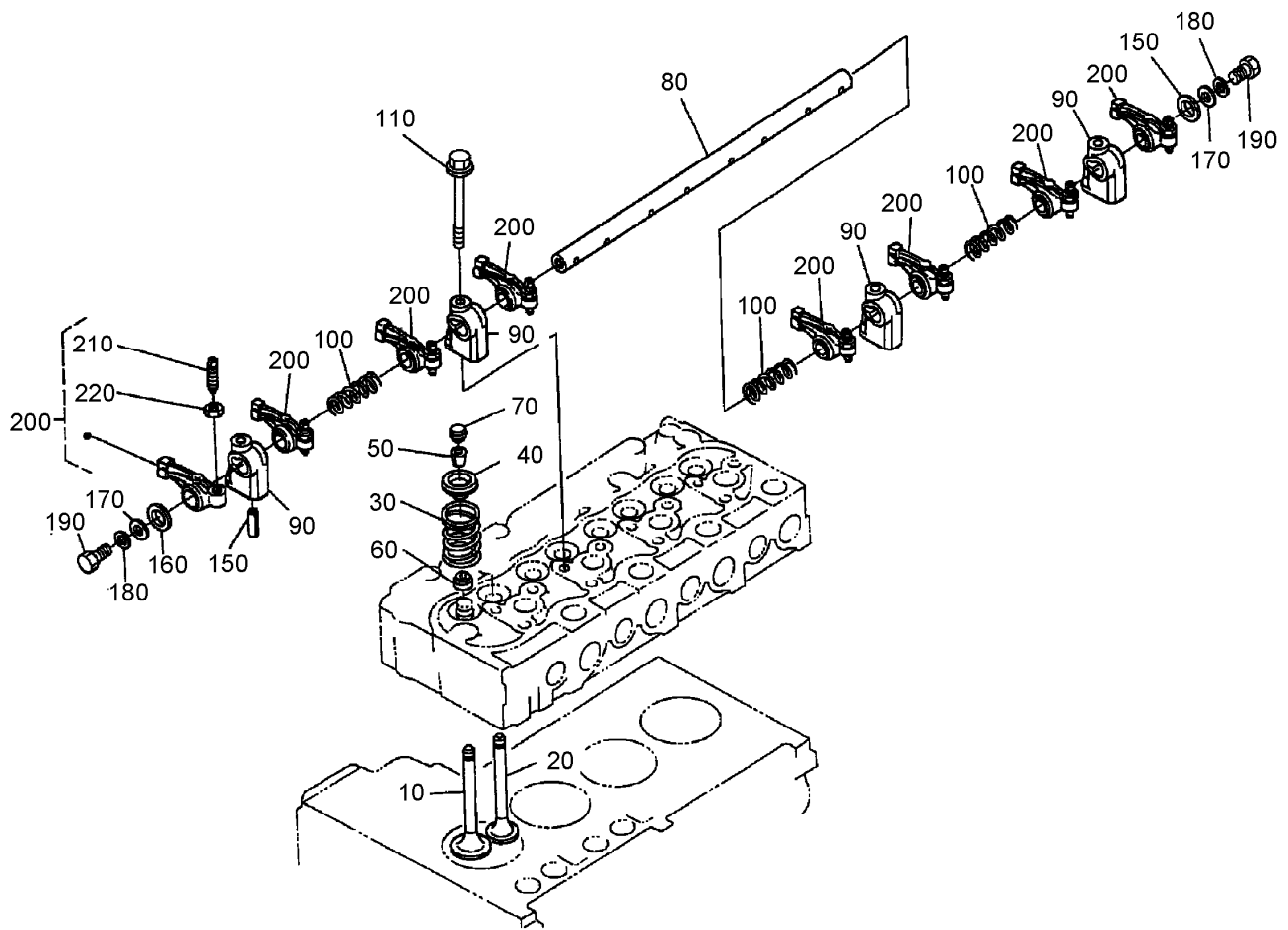
## Water Pipe Assembly

<i>Ref.</i>	<i>Part Number</i>	<i>Qty.</i>	<i>Description</i>
10	107-0124	1	Pipe-Cooler, Oil
20	98-9579	2	Band-Pipe
30	107-0123	1	Clamp-Cord



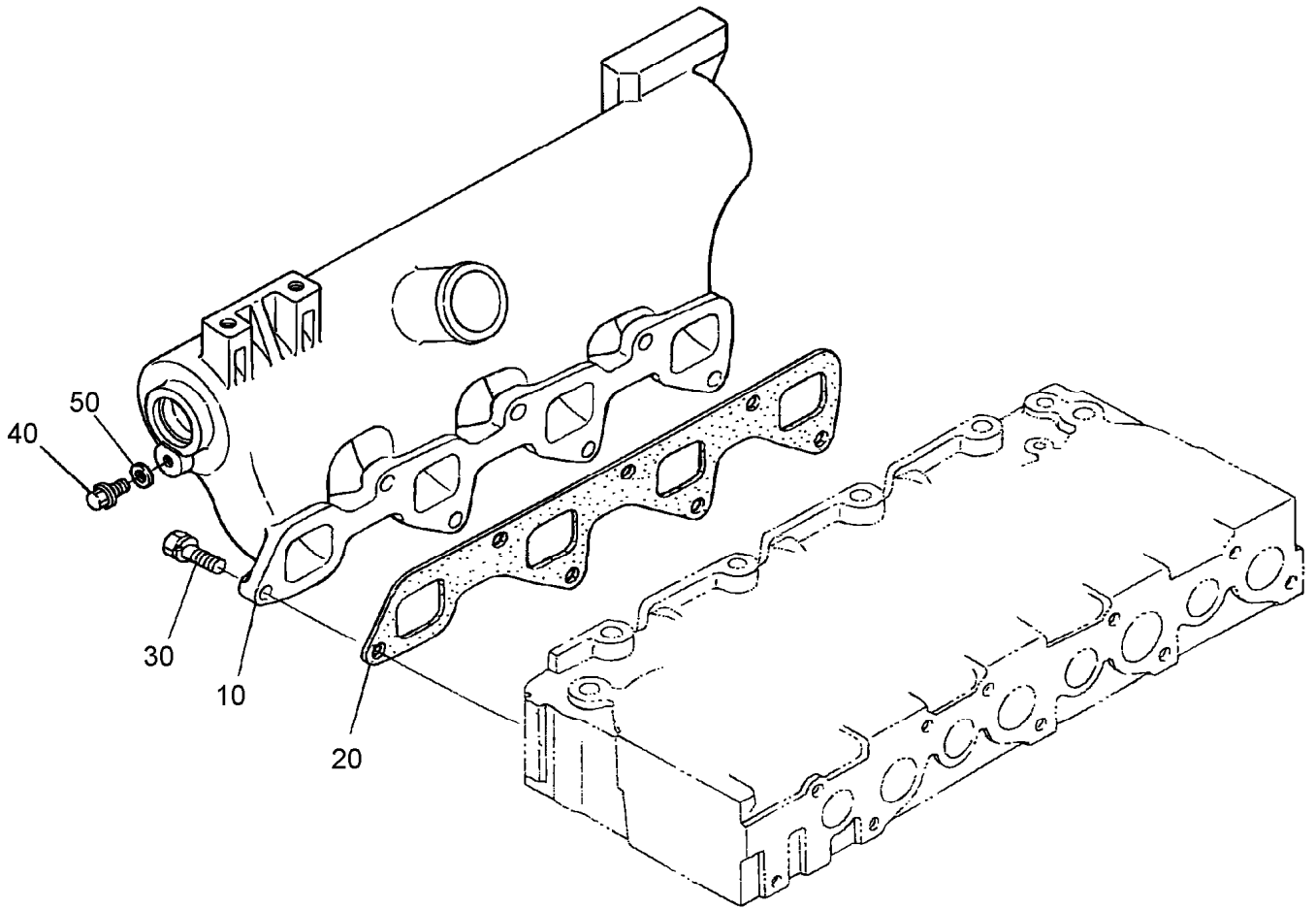
## Fan Assembly

<i>Ref.</i>	<i>Part Number</i>	<i>Qty.</i>	<i>Description</i>
10	98-7702	1	Pulley-Fan
20	99-8363	4	Bolt-Flange



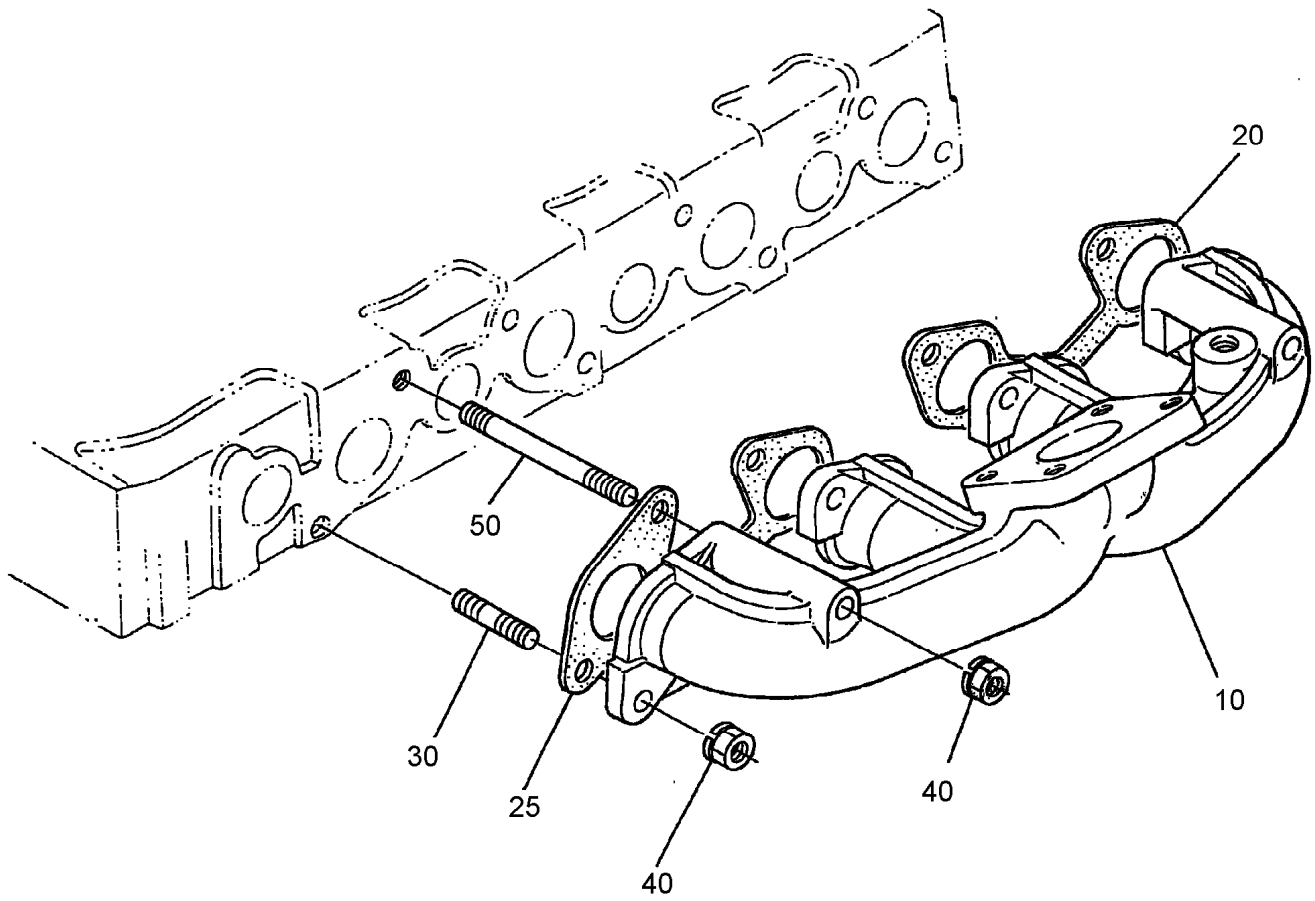
## Valve and Rocker Arm Assembly

Ref.	Part Number	Qty.	Description
10	98-7791	4	Valve-Inlet
20	100-9281	4	Valve-Exhaust
30	98-7793	8	Spring-Valve
40	98-7794	8	Retainer-Spring, Valve
50	98-7795	8	Collet-Spring, Valve
60	98-7796	8	Seal-Stem, Valve
70	98-7797	8	Cap-Valve
80	107-0134	1	Shaft-Arm, Rocker
90	98-7800	4	Bracket-Arm, Rocker
100	98-7807	3	Spring-Arm, Rocker
110	108-7091	4	Bolt-Flange
150	98-7805	1	Pin-Spring
160	98-7806	2	Washer
170	98-7660	2	Washer-Plain
180	105-2893	4	Washer-Spring
190	98-7884	2	Bolt
200	98-7809	8	Rocker Arm ASM
210	98-7810	8	Screw-Adjusting
220	98-7811	8	Nut



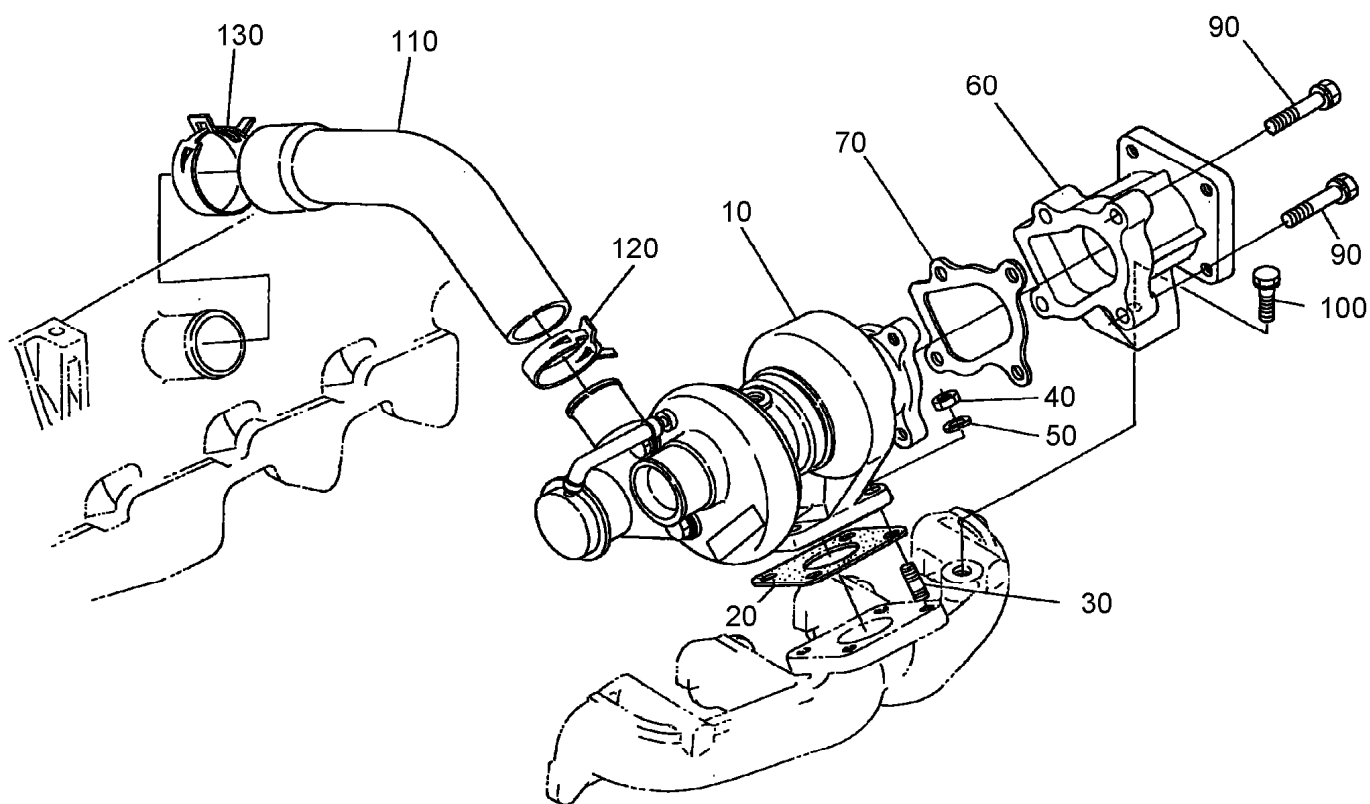
## Inlet Manifold Assembly

<i>Ref.</i>	<i>Part Number</i>	<i>Qty.</i>	<i>Description</i>
10	100-9283	1	Inlet-Manifold
20	100-9284	1	Gasket-Manifold, Intake
30	98-7610	7	Bolt
40	107-4317	1	Bolt-Flange
50	98-7654	1	Gasket



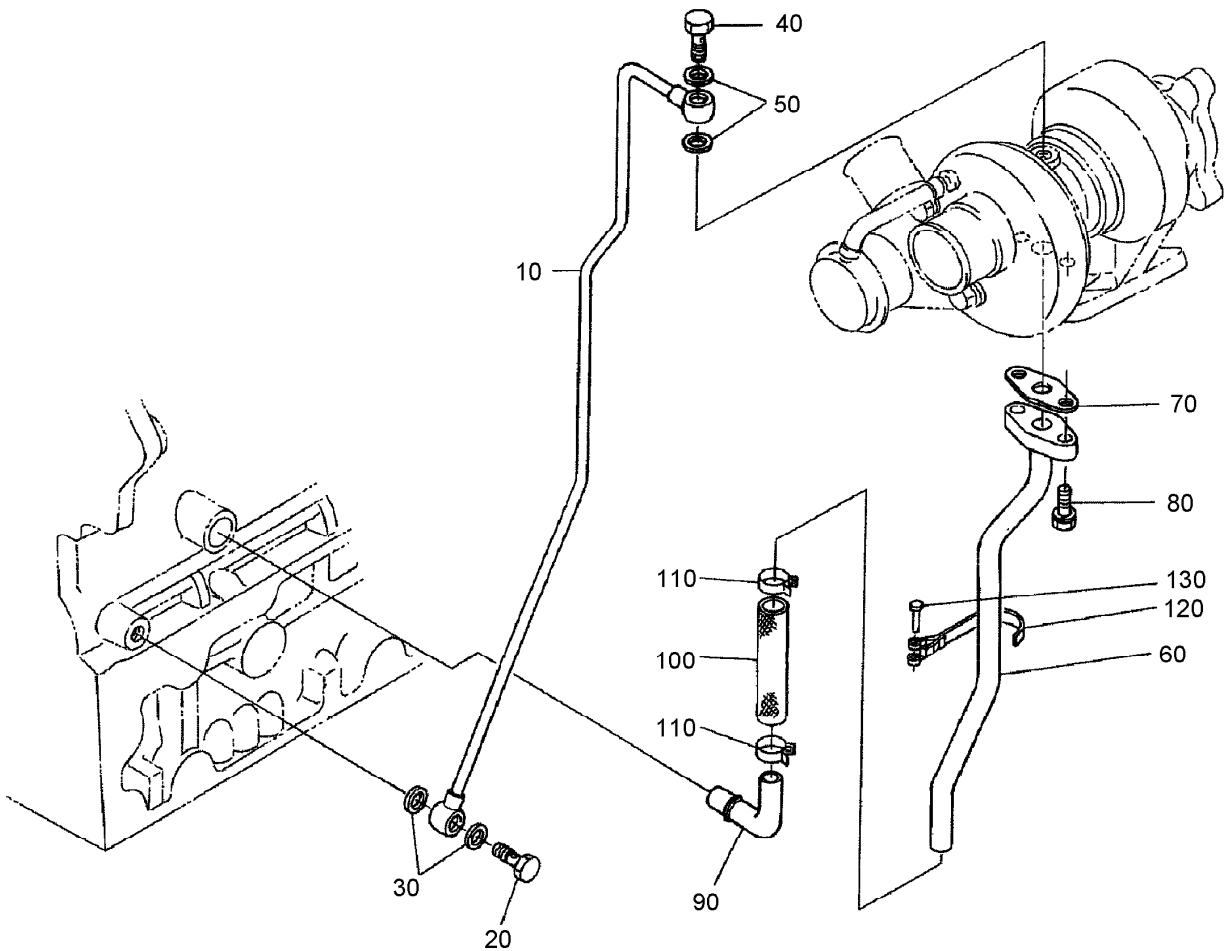
## Exhaust Manifold Assembly

<i>Ref.</i>	<i>Part Number</i>	<i>Qty.</i>	<i>Description</i>
10	108-7092	1	Manifold-Exhaust
20	98-7802	1	Gasket
25	98-7803	1	Gasket
30	100-1558	6	Stud
40	100-9288	8	Nut
50	100-9289	2	Stud



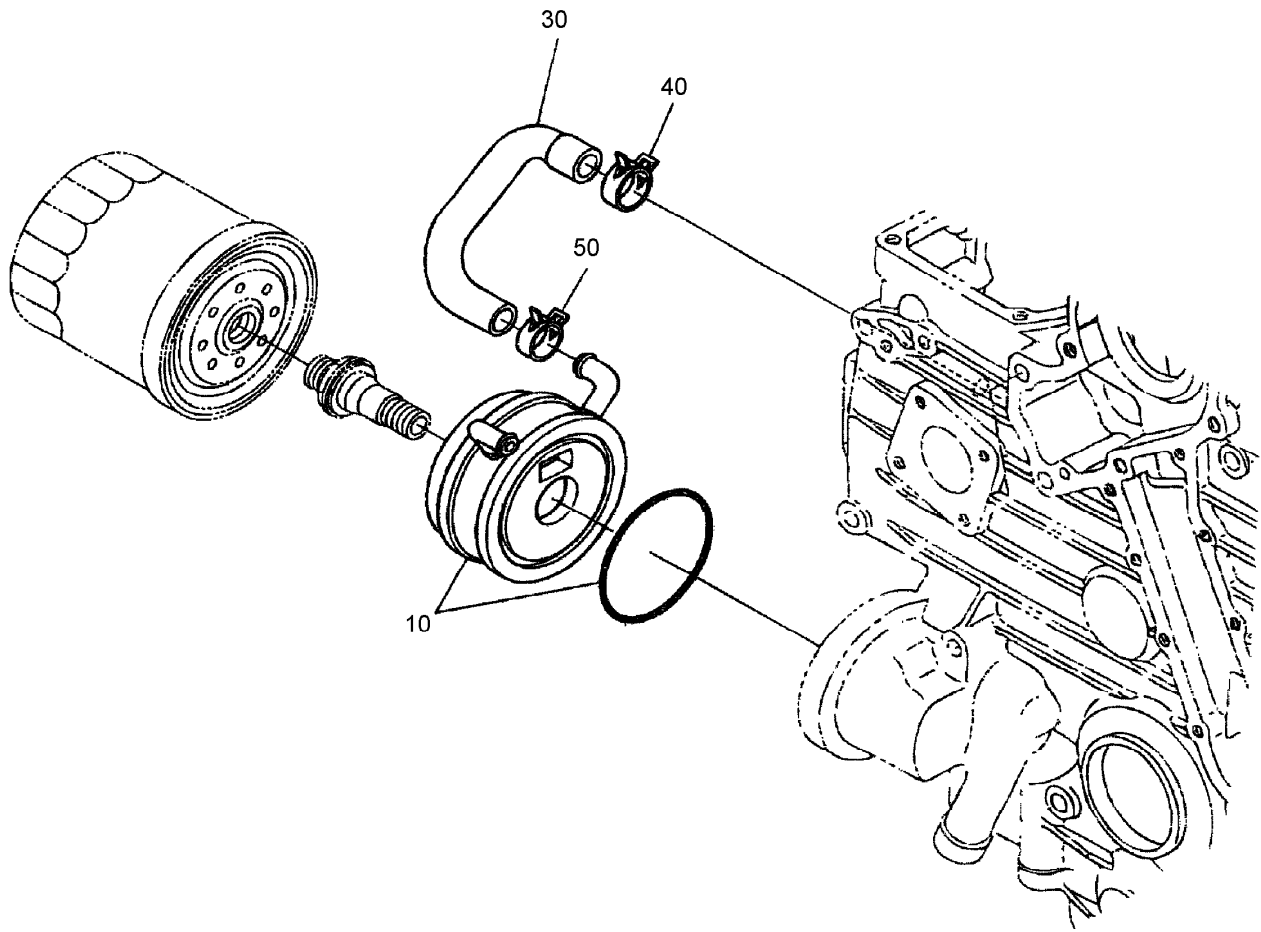
## Turbo Charger Assembly

<i>Ref.</i>	<i>Part Number</i>	<i>Qty.</i>	<i>Description</i>
10	108-7093	1	Turbo Charger ASM
20	100-9314	1	Gasket
30	99-8342	4	Stud
40	98-7534	4	Nut
50	105-2893	4	Washer-Spring
60	108-7094	1	Flange-Muffler
70	100-9316	1	Gasket
90	98-7697	4	Bolt
100	100-9230	1	Bolt
110	100-9318	1	Hose-Inlet
120	100-9319	1	Band-Pipe
130	99-8322	1	Band-Pipe



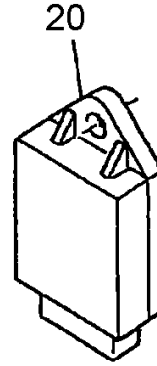
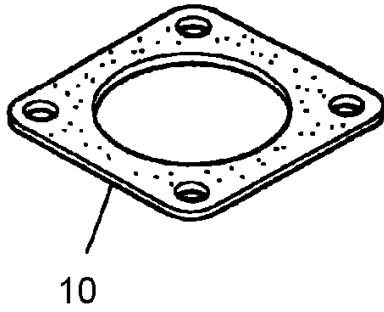
## Oil Pipe (Turbo Charger) Assembly

<i>Ref.</i>	<i>Part Number</i>	<i>Qty.</i>	<i>Description</i>
10	107-0127	1	Pipe-Oil, Complete
20	100-9321	1	Bolt-Joint, Eye
30	98-7428	2	Gasket
40	98-9418	1	Bolt-Joint, Eye
50	99-8346	2	Gasket
60	107-0128	1	Pipe-Oil, Complete
70	98-9435	1	Gasket-Oil Return, Turbo
80	98-7605	2	Bolt
90	100-9323	1	Pipe-Oil
100	108-7095	1	Tube-Oil
110	98-9714	2	Clamp-Hose
120	108-7096	1	Clamp-Pipe
130	98-9591	1	Pin-Band



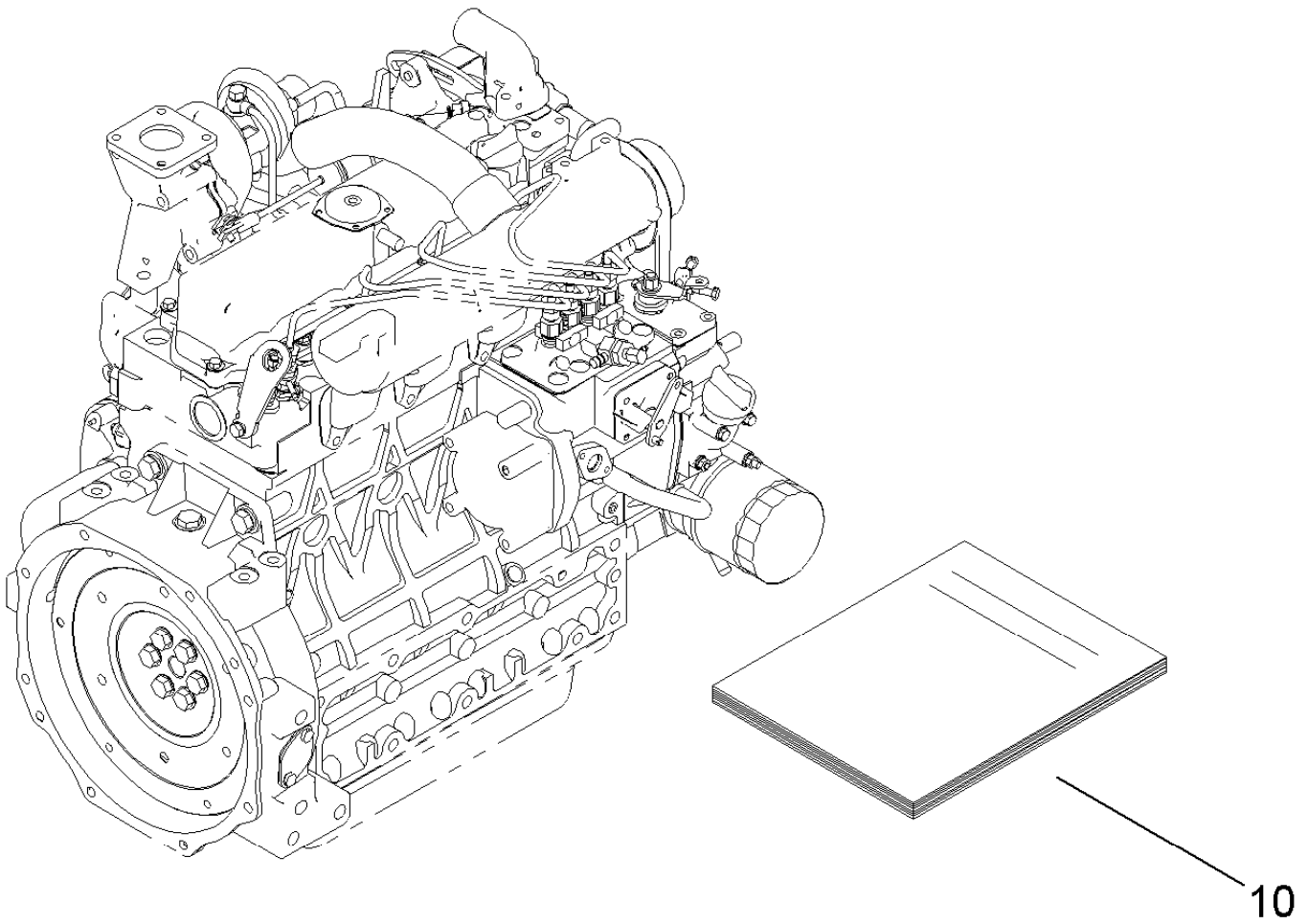
## Oil Cooler Assembly

<i>Ref.</i>	<i>Part Number</i>	<i>Qty.</i>	<i>Description</i>
10	107-0125	1	Oil Cooler ASM
30	107-0126	1	Hose-Cooler, Oil
40	105-2879	1	Clamp-Hose
50	98-9579	1	Band-Pipe



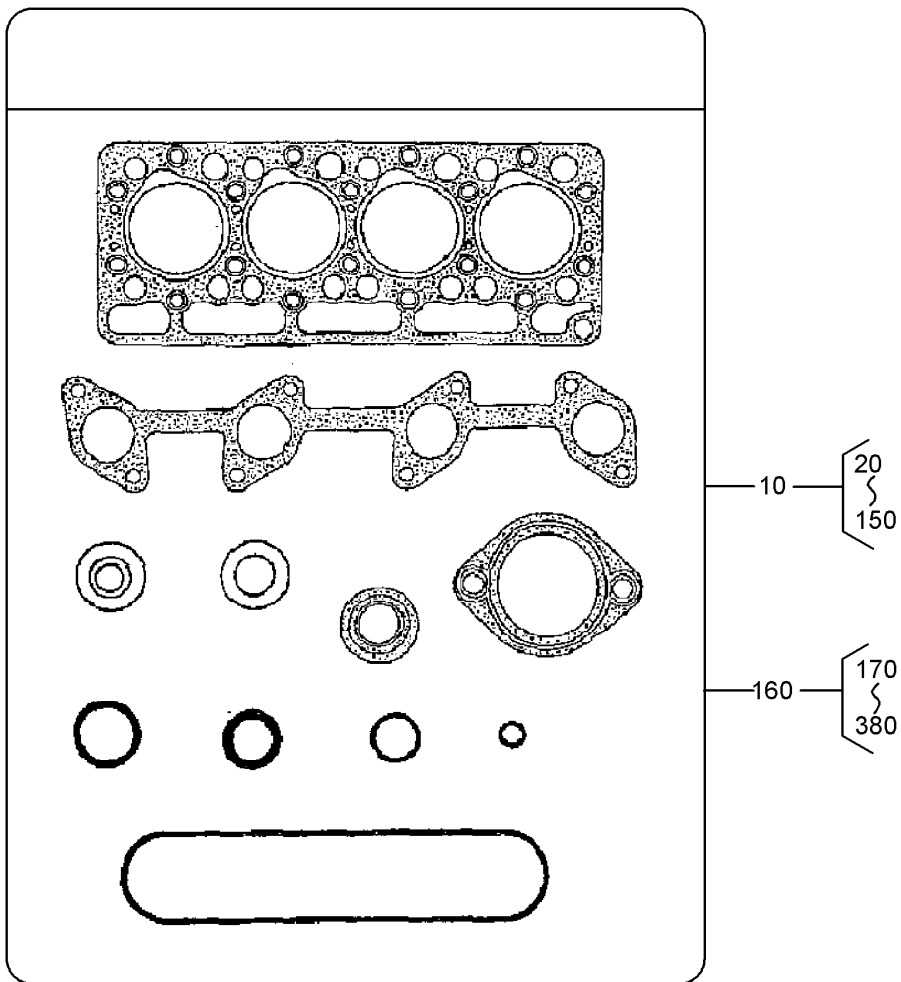
## Muffler Gasket and Glow Controller

<i>Ref.</i>	<i>Part Number</i>	<i>Qty.</i>	<i>Description</i>
10	100-9333	1	Gasket-Muffler
20	98-7611	1	Controller-Glow



## Engine Operators Manual

<i>Ref.</i>	<i>Part Number</i>	<i>Qty.</i>	<i>Description</i>
10	100-9335	1	Manual-Instruction



## Gasket Assembly

<i>Ref.</i>	<i>Part Number</i>	<i>Qty.</i>	<i>Description</i>
10	100-9337	1	Upper Gasket Kit
160	98-7888	1	Lower Gasket Kit

# Attachments and Accessories

## For 30868 Groundsmaster 4700-D

<b>Product Name</b>	<b>Model/Part</b>
Seat Suspension Kit .....	30395
Standard Seat Kit.....	30398
Arm Rest Kit.....	30707
27 Inch Rotary Cutting Unit.....	30827
27 Inch Rotary Cutting Unit Mulching Kit.....	30828

**Notes:**

**Notes:**

**Notes:**



**Count on it.**