



**Count on it.**

**Parts Catalog**

**Groundsmaster® 4500-D**

**Traction Unit**

**Model No. 30856—Serial No. 28000001 and Up**

# Ordering Replacement Parts

To order replacement parts, please supply the part number, the quantity, and the description of each part desired.

## Understanding Reference Numbers

Each identified part in an illustration has a reference number. The reference number for a part also appears in the parts list, along with other information about the part.

This catalog uses two special reference number formats, one to indicate parts in a service assembly and another to indicate the quantity of a given part in an illustration.

## Service Assembly Reference Numbers

Parts in service assemblies have reference numbers in the form a:b. The a represents the reference number of the entire service assembly and the b represents a sequential number unique to each part within the service assembly.

For example, a wheel assembly might be identified by reference number 6, the tire by 6:1, the valve by 6:2, and the wheel by 6:3. When you order the assembly identified by reference number 6, you receive all parts identified by reference numbers 6:1, 6:2, and 6:3. However, you may also order any part individually. Reference numbers of this type appear in illustration and in parts lists.

## Reference Numbers Indicating Quantity

In an illustration, if a reference number indicates more than one part, the reference number has the form nX y. The n represents the quantity of the part, the X is the multiplication symbol, and the y represents the reference number.

For example, in an illustration, the reference number 2X 37 means that two of the parts identified by reference number 37 are indicated.

# List of Abbreviations

**AR:** as required

**ASM:** assembly

**BBC:** blade brake control

**BHTF:** button head thread forming

**CARR:** carriage

**CCW:** counter clockwise

**CW:** clockwise

**DEG:** degrees

**DPA:** Dual Point Adjustment

**ECM:** electronic control module

**EXT:** external

**FH:** flat head

**GA:** gauge

**HD:** heavy-duty

**HF:** hex flange

**HH:** hex head

**HHF:** hex head flange

**HHFTF:** hex head flange thread forming

**HJ:** hex jam

**HLH:** hex lag head

**HOC:** height-of-cut

**HSBH:** hex socket button head

**HSFH:** hex socket flat head

**HSH:** hex socket head

**HWH:** hex washer head

**HWTF:** hex washer head thread forming

**HYD:** hydraulic

**LH:** left hand

**LP:** Liquid Propane

**NI:** nylon insert

**NPTF:** national pipe thread fine

**PFH:** phillips flat head

**PPH:** phillips pan head

**PPHTF:** phillips pan head thread forming

**PRH:** phillips round head

**PTH:** phillips truss head

**PTO:** power-take-off

**RH:** right hand

**ROPS:** roll-over protection system

**RRB:** rear roller brush

**SFH:** slotted fillister head

**SHH:** slotted hex head

**SHWH:** slotted hex washer head

**SPH:** slotted pan head

**SQH:** square head

**SRH:** slotted round head

**STD:** standard

**TAP:** self tapping

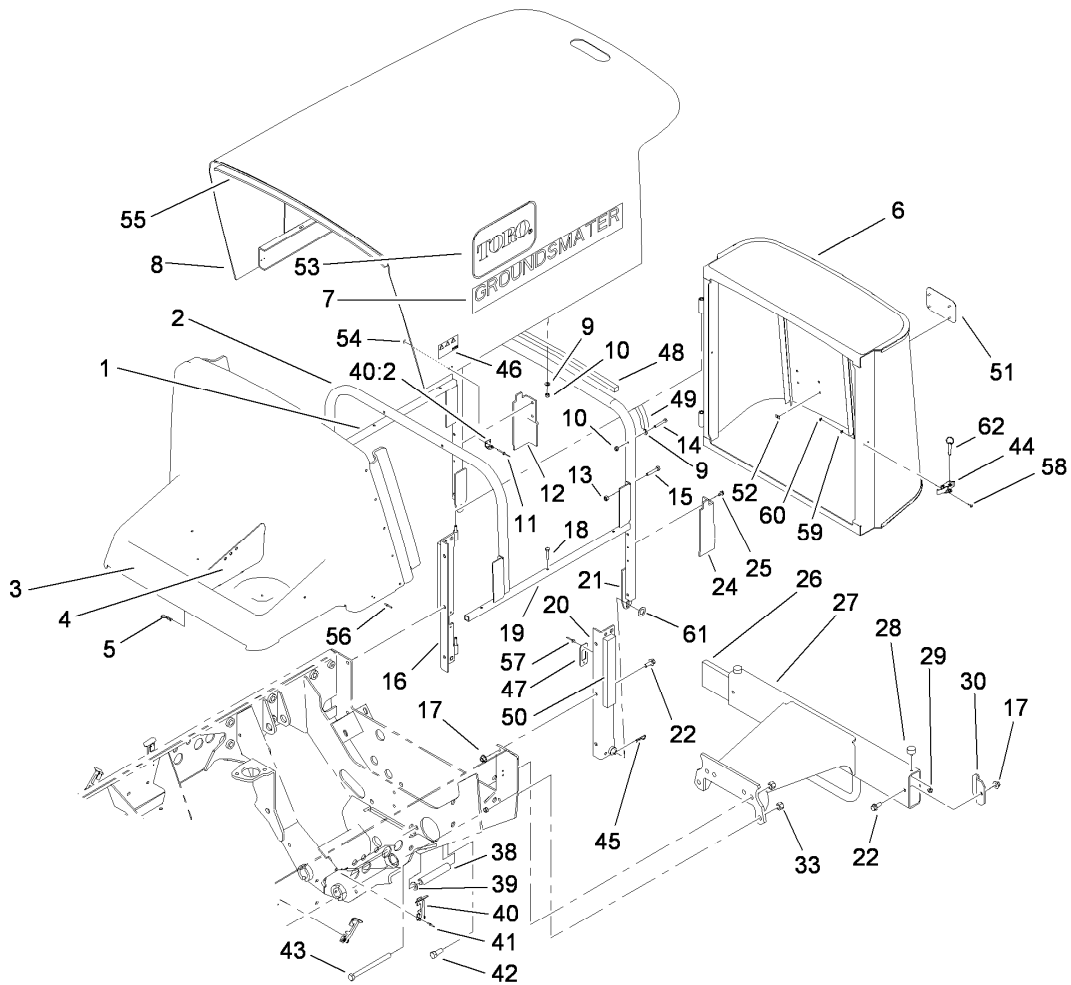
**TTH:** torx truss head

# Contents

|                                                             |    |
|-------------------------------------------------------------|----|
| Hood Screen and Bumper Assembly                             | 5  |
| Steering Tower Assembly                                     | 7  |
| Steering Control Assembly No. 114-5074                      | 8  |
| Traction and Brake Pedal Assembly                           | 9  |
| Throttle and Seat Frame Assembly                            | 10 |
| Control Console Assembly                                    | 11 |
| Hydraulic Filter and Reservoir Assembly                     | 12 |
| Fuel Tank and Filter Assembly                               | 13 |
| Front Drive and Brake Assembly                              | 14 |
| Planetary Assembly No. 105-4500-03                          | 15 |
| Brake Assembly No. 100-3070-03                              | 16 |
| Piston Motor Assembly No. 105-1218                          | 17 |
| Brake Assembly No. 100-3069-03                              | 18 |
| Manifold Mounting and Fitting Assembly                      | 19 |
| Hydraulic Pump Assembly                                     | 20 |
| Triple Pump Assembly No. 105-9845                           | 21 |
| Piston Pump Assembly No. 110-0464                           | 22 |
| Control Assembly No. 108-1503                               | 24 |
| Radiator Assembly                                           | 25 |
| Fan and Solenoid Assembly                                   | 26 |
| Engine Installation Assembly                                | 27 |
| Air Cleaner Assembly No. 99-5410                            | 28 |
| Rear Axle Assembly                                          | 29 |
| Hydraulic Cylinder Assembly No. 105-9861                    | 30 |
| Piston Motor Assembly No. 105-1219                          | 31 |
| Bevel Pinion Shaft Assembly Rear Axle Assembly No. 110-4750 | 32 |
| Differential Assembly Rear Axle Assembly No. 110-4750       | 33 |
| Axle Support Assembly Rear Axle Assembly No. 110-4750       | 34 |
| Bevel Gear Case Assembly Rear Axle Assembly No. 110-4750    | 35 |
| Bevel Gear Shaft Assembly Rear Axle Assembly No. 110-4750   | 36 |
| Axle Case Assembly Rear Axle Assembly No. 110-4750          | 37 |
| Axle Assembly Rear Axle Assembly No. 110-4750               | 38 |
| Coupler and Adapter Plate Assembly                          | 39 |
| Battery Installation Assembly                               | 40 |
| Front Lift Arm Assembly                                     | 41 |
| Hydraulic Cylinder Assembly No. 107-1979                    | 43 |
| Hydraulic Cylinder Assembly No. 107-1980                    | 44 |
| Lift Lever Assembly                                         | 45 |
| No. 2 and 3 Lift Arm Assembly                               | 46 |
| Hydraulic Cylinder Assembly No. 107-1978                    | 47 |
| No. 2 and 3 Hose Installation Assembly                      | 48 |
| No. 1, 4 and 5 Hose Installation Assembly                   | 49 |
| Hydraulic Motor Assembly No. 105-9872                       | 50 |
| Roll-Over Protection System and Frame Assembly              | 51 |
| Front Frame Assembly No. 108-6051                           | 52 |
| Roller Support and Access Panel Assembly                    | 53 |
| Manifold Assembly                                           | 54 |
| Hydraulic Manifold Assembly No. 104-5475                    | 55 |
| 4WD Manifold and Filter Assembly                            | 56 |
| Filter Manifold Assembly No. 110-0451                       | 57 |
| 4 Wheel Drive Manifold Assembly No. 110-0454                | 58 |
| Traction Hydraulic Line Assembly                            | 59 |
| Hydraulic Steering Line Assembly                            | 60 |
| Mow Block Hydraulic Line Assembly                           | 61 |

# Contents (continued)

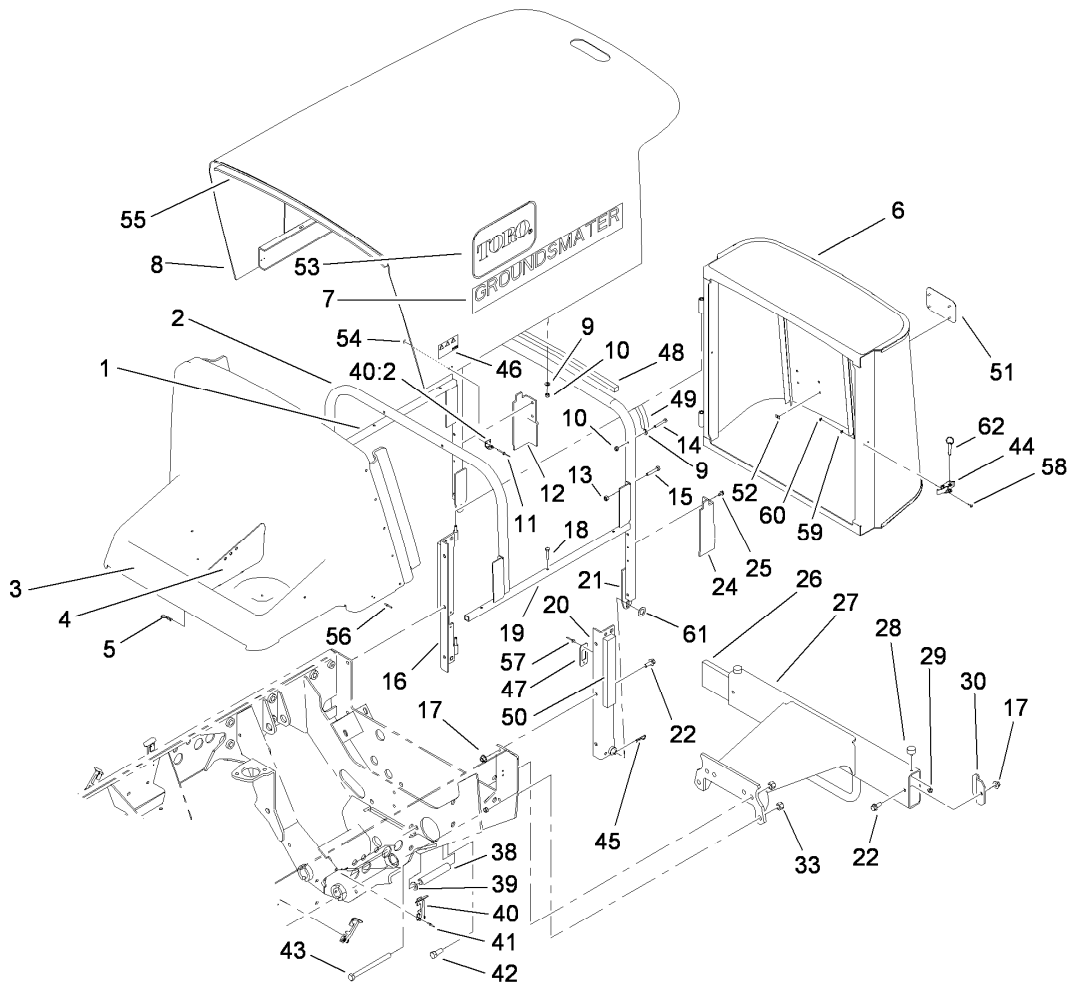
|                                                     |     |
|-----------------------------------------------------|-----|
| Hydraulic Lift Line Assembly . . . . .              | 62  |
| Lift Valve and Counter Balance Assembly . . . . .   | 63  |
| Manifold Assembly No. 104-5495 . . . . .            | 64  |
| Single Spool Valve Assembly No. 112-5254 . . . . .  | 65  |
| Crankcase Assembly . . . . .                        | 66  |
| Oil Pan Assembly . . . . .                          | 67  |
| Cylinder Head Assembly . . . . .                    | 68  |
| Gear Case Assembly . . . . .                        | 69  |
| Head Cover Assembly . . . . .                       | 70  |
| Oil Filter Assembly . . . . .                       | 71  |
| Dipstick and Oil Guide Assembly . . . . .           | 72  |
| Oil Pump Assembly . . . . .                         | 73  |
| Main Bearing Case . . . . .                         | 74  |
| Camshaft and Idler Gear Shaft Assembly . . . . .    | 75  |
| Piston and Crankshaft Assembly . . . . .            | 76  |
| Flywheel Assembly . . . . .                         | 77  |
| Fuel Camshaft and Governor Shaft Assembly . . . . . | 78  |
| Engine Stop Lever Assembly . . . . .                | 79  |
| Injection Pump Assembly . . . . .                   | 80  |
| Injection Pump (Component Part) Assembly . . . . .  | 81  |
| Governor Assembly . . . . .                         | 82  |
| Speed Control Plate Assembly . . . . .              | 83  |
| Nozzle Holder and Glow Plug Assembly . . . . .      | 84  |
| Alternator and Pulley Assembly . . . . .            | 85  |
| Alternator Component Parts Assembly . . . . .       | 86  |
| Starter Assembly . . . . .                          | 87  |
| Starter (Component Part) Assembly . . . . .         | 88  |
| Oil Switch / Thermostat Assembly . . . . .          | 89  |
| Water Flange and Thermostat Assembly . . . . .      | 90  |
| Water Pump Assembly . . . . .                       | 91  |
| Water Pipe Assembly . . . . .                       | 92  |
| Fan Assembly . . . . .                              | 93  |
| Valve and Rocker Arm Assembly . . . . .             | 94  |
| Inlet Manifold Assembly . . . . .                   | 95  |
| Exhaust Manifold Assembly . . . . .                 | 96  |
| Turbo Charger Assembly . . . . .                    | 97  |
| Oil Pipe (Turbo Charger) Assembly . . . . .         | 98  |
| Oil Cooler Assembly . . . . .                       | 99  |
| Muffler Gasket and Glow Controller . . . . .        | 100 |
| Engine Operator's Manual . . . . .                  | 101 |
| Gasket Kit . . . . .                                | 102 |
| Attachments and Accessories . . . . .               | 103 |



## Hood Screen and Bumper Assembly

| Ref. | Part Number | Qty. | Description            | Ref. | Part Number | Qty. | Description          |
|------|-------------|------|------------------------|------|-------------|------|----------------------|
| 1    | 107-1975-03 | 1    | RH Hood Frame ASM      | 26   | 105-9199-03 | 1    | Weight-Bumper        |
| 2    | 107-1973-03 | 1    | Tube-Front, Hood       | 27   | 105-9221-03 | 1    | Bumper-Rear          |
| 3    | 104-5430    | 1    | Shroud-Front           | 28   | 240-14      | 2    | Bumper-Rubber        |
| 4    | 104-5446-03 | 1    | Divider-Shroud         | 29   | 32128-33    | 2    | Nut-HF               |
| 5    | 3290-467    | 2    | Pin-Hair               | 30   | 105-9200-03 | 2    | Clamp-Weight, Bumper |
| 6    | 104-5454-03 | 1    | Screen ASM             | 33   | 3296-23     | 4    | Nut-Lock, NI         |
| 7    | 105-9877    | 2    | Decal                  | 38   | 76-8350     | 2    | Stop-Axle            |
| 8    | 104-5419    | 1    | Hood                   | 39   | 3256-26     | 2    | Washer-Flat          |
| 8:1  | 106-8116    | 1    | Heat Tape Repair Kit ● | 40   | 59-9740     | 4    | Flex Draw Latch ASM  |
| 9    | 3256-22     | 12   | Washer-Flat            | 40:2 | 249-40      | 1    | Keeper               |
| 10   | 3296-42     | 12   | Nut-Lock, NI           | 41   | 3290-55     | 8    | Rivet-Pop            |
| 11   | 3269-17     | 4    | Rivet-Pop              | 42   | 325-6       | 2    | Screw-HH             |
| 12   | 104-5431    | 1    | Cover-Tube, RH         | 43   | 325-33      | 2    | Screw-HH             |
| 13   | 3296-29     | 8    | Nut-Lock, NI           | 44   | 115-1554    | 1    | Latch-Draw           |
| 14   | 321-10      | 6    | Screw-HH               | 45   | 3290-467    | 2    | Pin-Hair             |
| 15   | 322-9       | 8    | Screw-HH               | 46   | 106-6754    | 2    | Decal-Danger         |
| 16   | 104-5445-03 | 1    | RH Support ASM         | 47   | 104-5459    | 1    | Plate-Latch          |
| 17   | 32128-43    | 6    | Nut-Flange             | 48   | 105-9234    | 1    | Seal-Foam            |
| 18   | 321-13      | 6    | Screw-HH               | 49   | 105-9237    | 2    | Seal-Foam            |
| 19   | 107-1974-03 | 1    | LH Hood Frame ASM      | 50   | 105-9235    | 2    | Seal-Foam            |
| 20   | 104-5444-03 | 1    | LH Support ASM         | 51   | 93-6028     | 1    | Plate-Logo           |
| 21   | 110-0465-03 | 1    | Rear Tube ASM          | 52   | 94-2638     | 4    | Nut-Tinnerman        |
| 22   | 3234-11     | 6    | Screw-HHF              | 53   | 66-1210     | 2    | Decal                |
| 24   | 104-5432    | 1    | Cover-Tube, LH         | 54   | 3269-10     | 8    | Washer-Back          |
| 25   | 32104-17    | 4    | Screw-HWH              | 55   | 105-9829    | 1    | Seal-Foam            |

● Not illustrated

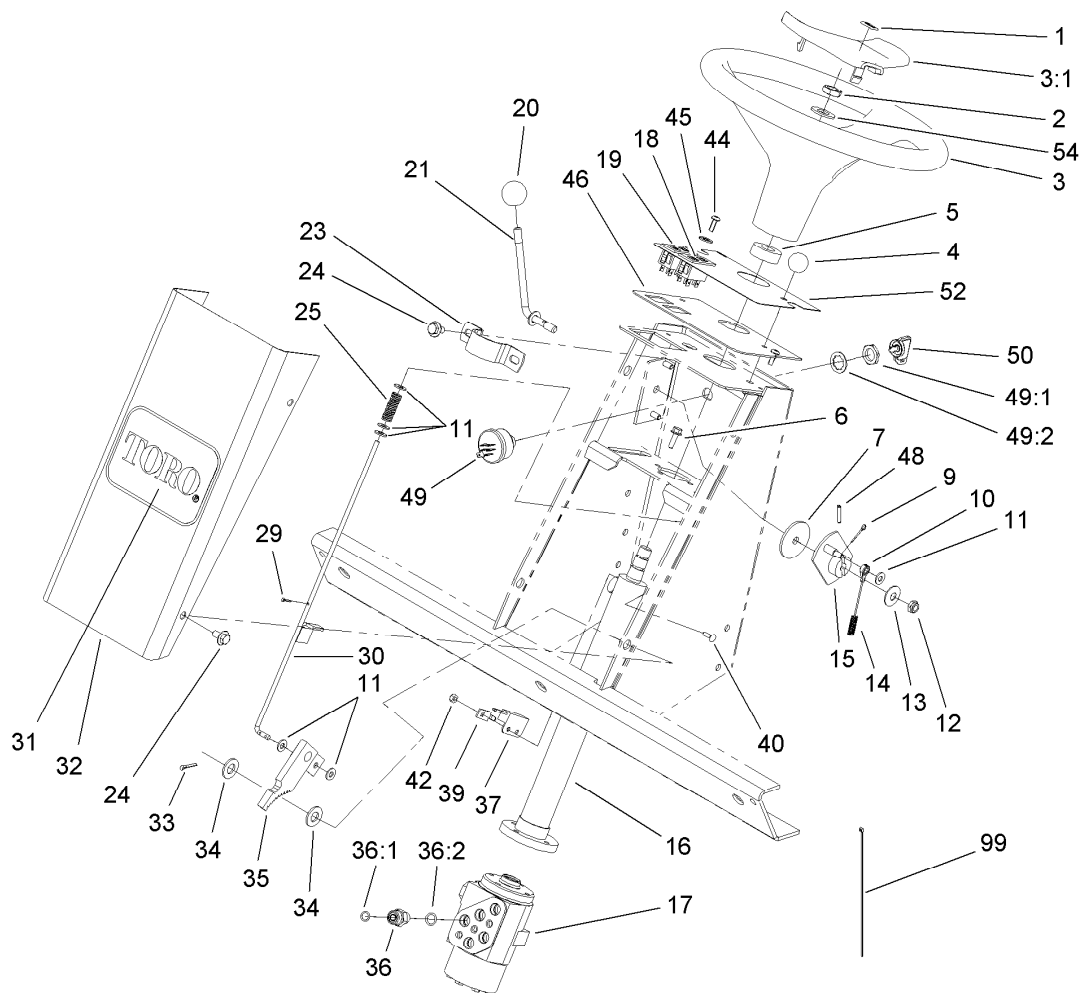


## Hood Screen and Bumper Assembly (continued)

| <i>Ref.</i> | <i>Part Number</i> | <i>Qty.</i> | <i>Description</i> |
|-------------|--------------------|-------------|--------------------|
| 56          | 3290-55            | 4           | Rivet-Pop          |
| 57          | 3269-15            | 2           | Rivet-Pop          |
| 58          | 3249-3             | 2           | Screw-PRH          |
| 59          | 3256-53            | 2           | Washer-Flat        |

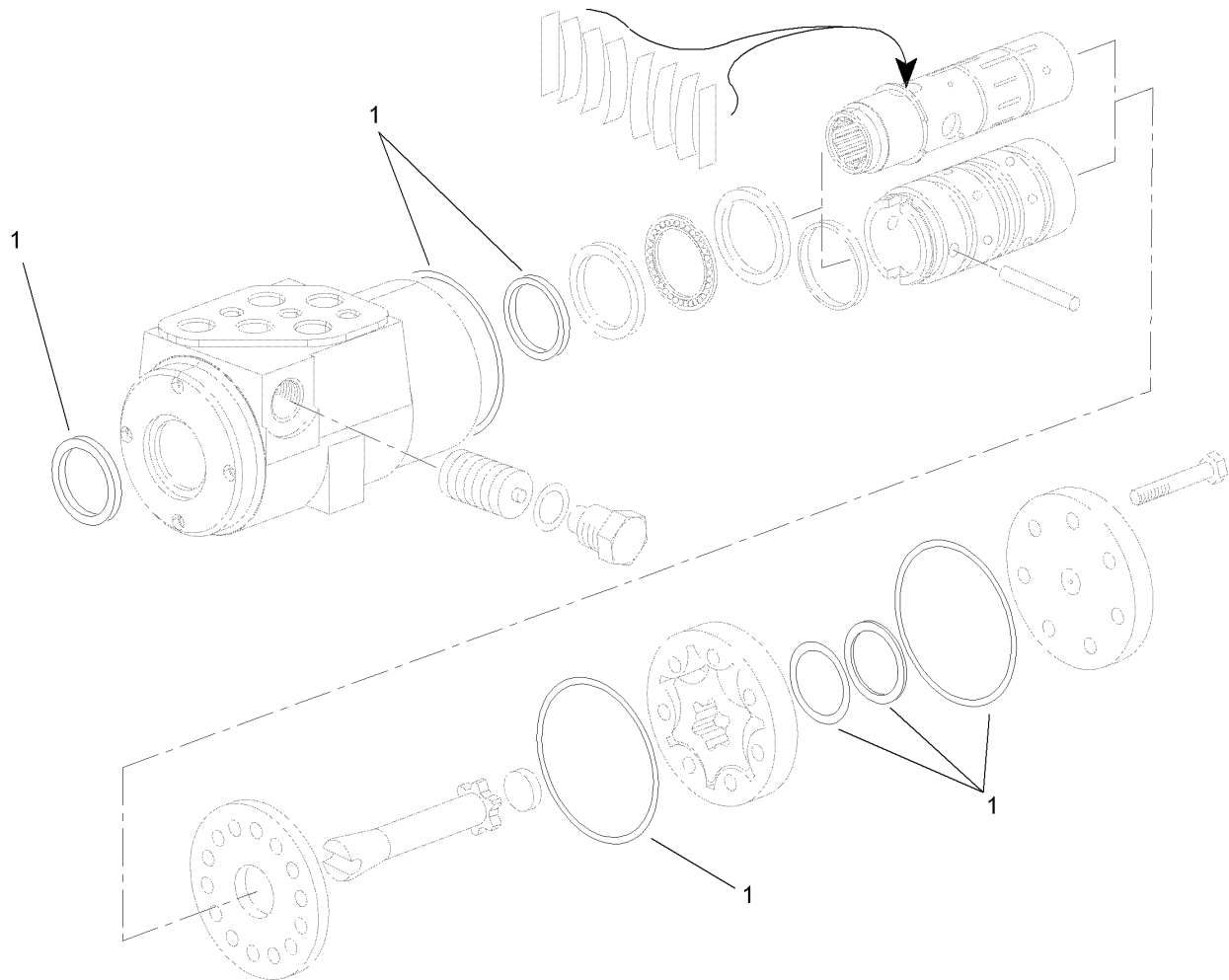
| <i>Ref.</i> | <i>Part Number</i> | <i>Qty.</i> | <i>Description</i> |
|-------------|--------------------|-------------|--------------------|
| 60          | 3296-9             | 2           | Nut-Lock           |
| 61          | 98-1629            | 2           | Washer             |
| 62          | 115-1556           | 1           | Pin-Ball, Detent   |

● Not illustrated



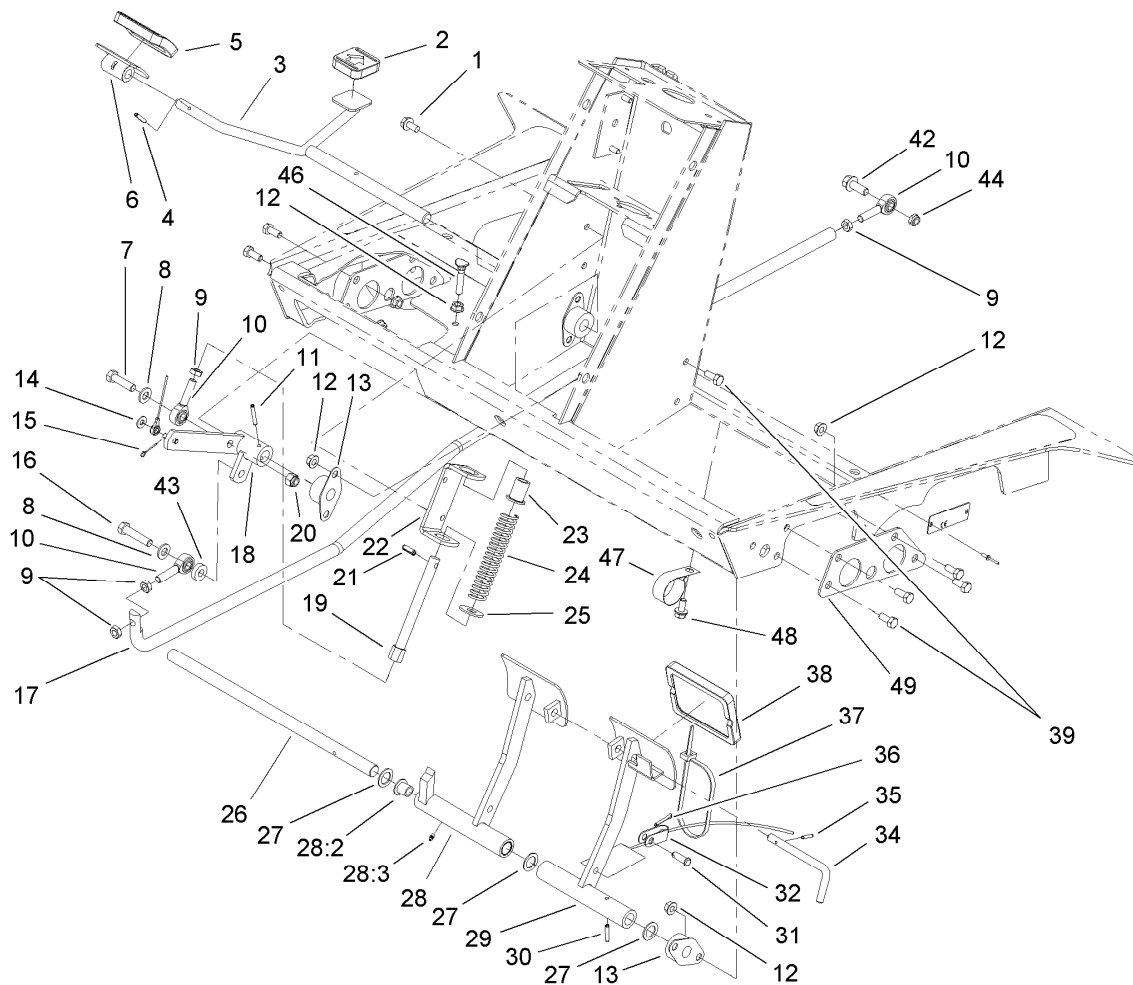
## Steering Tower Assembly

| Ref. | Part Number | Qty. | Description              | Ref. | Part Number | Qty. | Description            |
|------|-------------|------|--------------------------|------|-------------|------|------------------------|
| 1    | 98-1459     | 1    | Decal                    | 30   | 104-1492    | 1    | Rod ASM                |
| 2    | 110-8816    | 1    | Nut-Hex                  | 31   | 62-5550     | 1    | Decal                  |
| 3    | 98-1471     | 1    | Wheel-Steering           | 32   | 93-7996-01  | 1    | Cover-Tower            |
| 3:1  | 98-1468     | 1    | Cover-Wheel, Steering    | 33   | 3272-10     | 1    | Pin-Cotter             |
| 4    | 233-17      | 1    | Knob                     | 34   | 3256-26     | 2    | Washer-Flat            |
| 5    | 21-9260     | 1    | Cover-Dust               | 35   | 63-7900-03  | 1    | Rack ASM               |
| 6    | 33103-016   | 3    | Screw-HHF                | 36   | 340-2       | 5    | Fitting-HYD, Straight  |
| 7    | 75-6550     | 1    | Disc-Friction            | 36:1 | 237-22      | 1    | O-Ring                 |
| 9    | 3272-2      | 1    | Pin-Cotter               | 36:2 | 237-42      | 1    | O-Ring                 |
| 10   | 75-6580     | 1    | Cable-Pedal              | 37   | 100-1270    | 1    | Switch-Proximity       |
| 11   | 3256-22     | 6    | Washer-Flat              | 39   | 100-4872    | 1    | Plate-Switch, Neutral  |
| 12   | 3296-59     | 1    | Nut-Lock, NI             | 40   | 3229-34     | 1    | Screw-CARR             |
| 13   | 3290-461    | 1    | Washer-Spring            | 42   | 3296-2      | 1    | Nut-Lock, NI           |
| 14   | 95-7151     | 1    | Tube-Convolute           | 44   | 87-6620     | 2    | Screw                  |
| 15   | 112-5084    | 1    | Bracket-Lever            | 45   | 3256-1      | 2    | Washer-Flat            |
| 16   | 94-9951     | 1    | Column-Steering          | 46   | 105-9232-03 | 1    | Plate-Instrument       |
| 17   | 114-5074    | 1    | Steering Control ASM     | 48   | 32121-45    | 1    | Pin-Spring             |
| 18   | 100-8071    | 1    | Lamp-Warning             | 49   | 104-2541    | 1    | Switch ASM             |
| 19   | 100-8070    | 1    | Lamp-Warning             | 49:1 | 218-461     | 1    | Nut-HH                 |
| 20   | 233-42      | 1    | Knob                     | 49:2 | 3254-5      | 1    | Washer-Tooth, Internal |
| 21   | 75-6490     | 1    | Lever ASM                | 50   | 63-8360     | 2    | Key-Ignition           |
| 23   | 75-2810     | 1    | Bracket-Column, Steering | 52   | 105-3888    | 1    | Decal-Tower            |
| 24   | 3234-7      | 6    | Screw-HHF                | 54   | 3256-27     | 1    | Washer-Flat            |
| 25   | 95-1821     | 1    | Spring-Compression       | 99   | 3290-379    | 1    | Tie-Cable              |
| 29   | 3272-5      | 3    | Pin-Cotter               |      |             |      |                        |



## Steering Control Assembly No. 114-5074

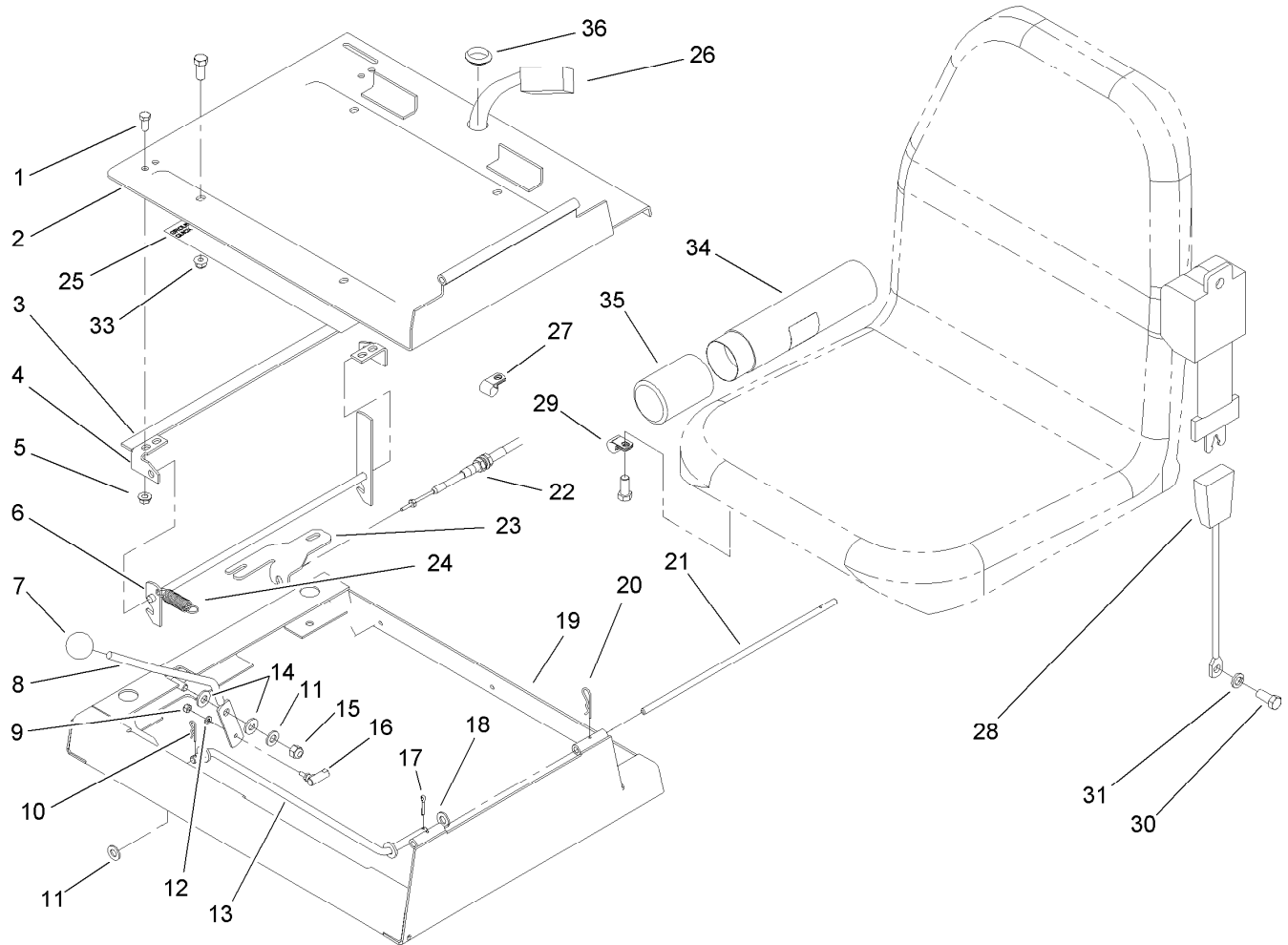
| <i>Ref.</i> | <i>Part Number</i> | <i>Qty.</i> | <i>Description</i> |
|-------------|--------------------|-------------|--------------------|
| 1           | 108-1519           | 1           | Seal Kit           |



## Traction and Brake Pedal Assembly

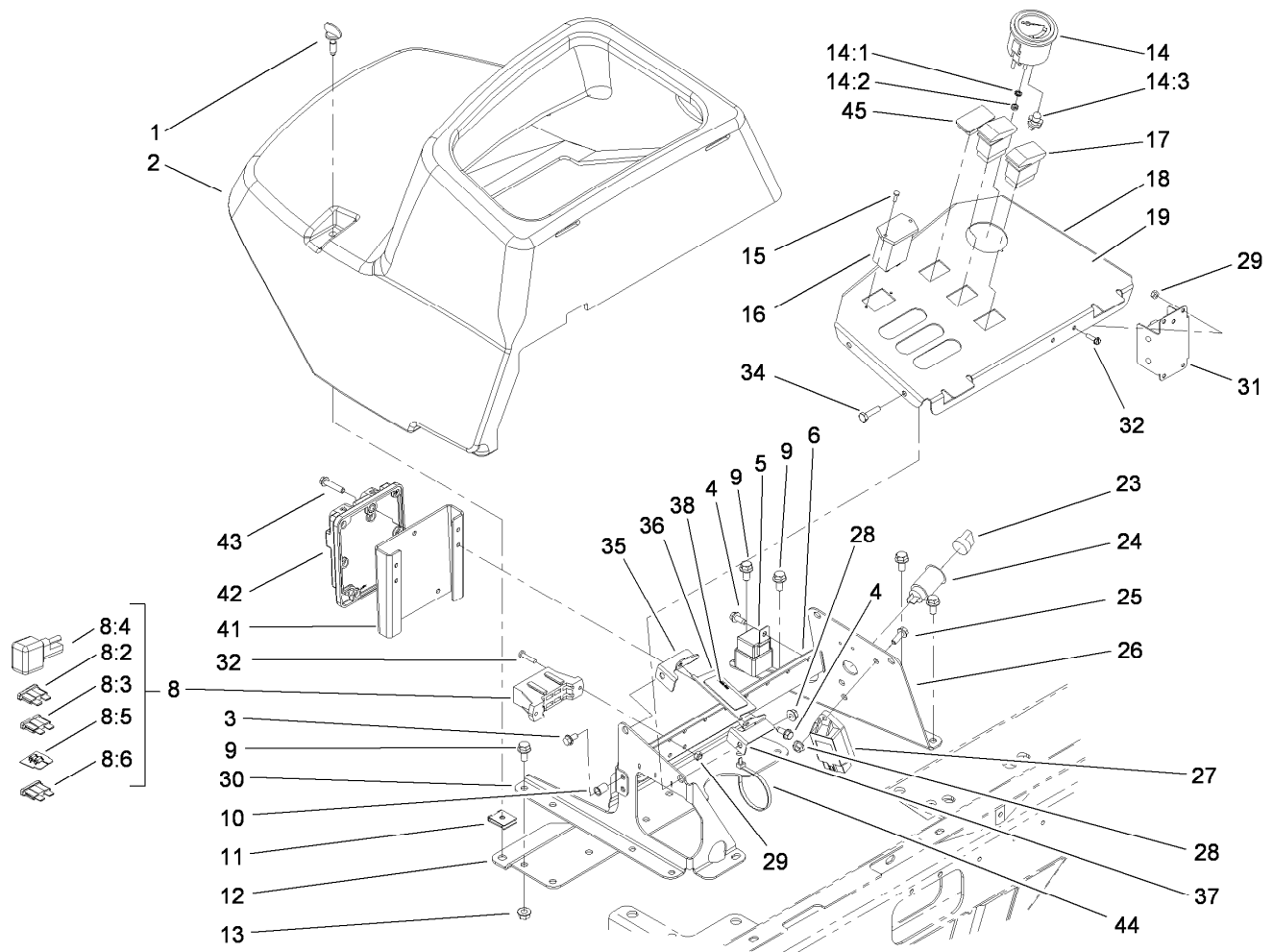
| Ref. | Part Number | Qty. | Description           | Ref. | Part Number | Qty. | Description              |
|------|-------------|------|-----------------------|------|-------------|------|--------------------------|
| 1    | 32144-14    | 2    | Screw-HWHTF           | 25   | 3256-5      | 1    | Washer-Flat              |
| 2    | 74-9110     | 1    | Pad-Pedal, Reverse    | 26   | 75-1470     | 1    | Pin-Pivot, Brake         |
| 3    | 75-2970     | 1    | Pedal-Traction        | 27   | 3256-69     | 3    | Washer-Flat              |
| 4    | 32121-45    | 1    | Pin-Spring            | 28   | 75-1430     | 1    | Pedal-Brake, RH          |
| 5    | 74-9100     | 1    | Pad-Pedal, Forward    | 28:2 | 256-42      | 2    | Bushing                  |
| 6    | 49-6440-03  | 1    | Pedal-Forward         | 28:3 | 302-5       | 1    | Fitting-Grease           |
| 7    | 323-29      | 1    | Screw-HH              | 29   | 75-1440-03  | 1    | LH Brake Pedal ASM       |
| 8    | 3256-24     | 2    | Washer-Flat           | 30   | 32121-16    | 1    | Pin-Spring               |
| 9    | 3220-3      | 4    | Nut-HJ                | 31   | 283-58      | 2    | Pin-Clevis               |
| 10   | 2411-36     | 3    | Bearing-End, Rod      | 32   | 92-7530     | 1    | LH Brake Cable ASM       |
| 11   | 32121-6     | 1    | Pin-Roll, Slotted     | 33   | 92-7529     | 1    | RH Brake Cable ASM ●     |
| 12   | 32128-20    | 12   | Nut-HF                | 34   | 63-7880     | 1    | Pin-Latch, Brake         |
| 13   | 256-236     | 4    | Bearing-Mount, Flange | 35   | 32121-50    | 1    | Pin-Spring               |
| 14   | 3256-22     | 1    | Washer-Flat           | 36   | 3272-10     | 2    | Pin-Cotter               |
| 15   | 3272-2      | 1    | Pin-Cotter            | 37   | 3290-378    | 1    | Tie-Cable                |
| 16   | 323-9       | 1    | Screw-HH              | 38   | 93-8742     | 2    | Footpad-Brake            |
| 17   | 104-5632-03 | 1    | Rod-Control, Pump     | 39   | 322-3       | 8    | Screw-HH                 |
| 18   | 75-3270-03  | 1    | Hub-Pivot, Traction   | 42   | 3234-11     | 1    | Screw-HHF                |
| 19   | 92-7609     | 1    | Shaft-Spring          | 43   | 5-0652      | 1    | Spacer                   |
| 20   | 3296-39     | 2    | Nut-Lock, NI          | 44   | 3296-59     | 1    | Nut-Lock, NI             |
| 21   | 32121-11    | 1    | Pin-Roll              | 46   | 3274-83     | 2    | Screw-HSH                |
| 22   | 92-7608-03  | 1    | Bracket-Spring        | 47   | 2412-150    | 1    | Clip-J                   |
| 23   | 92-7610     | 1    | Retainer-Spring       | 48   | 3234-5      | 1    | Screw-HHF                |
| 24   | 84-9100     | 1    | Spring                | 49   | 106-7794-01 | 2    | Plate-Mount, HYD Fitting |

● Not illustrated



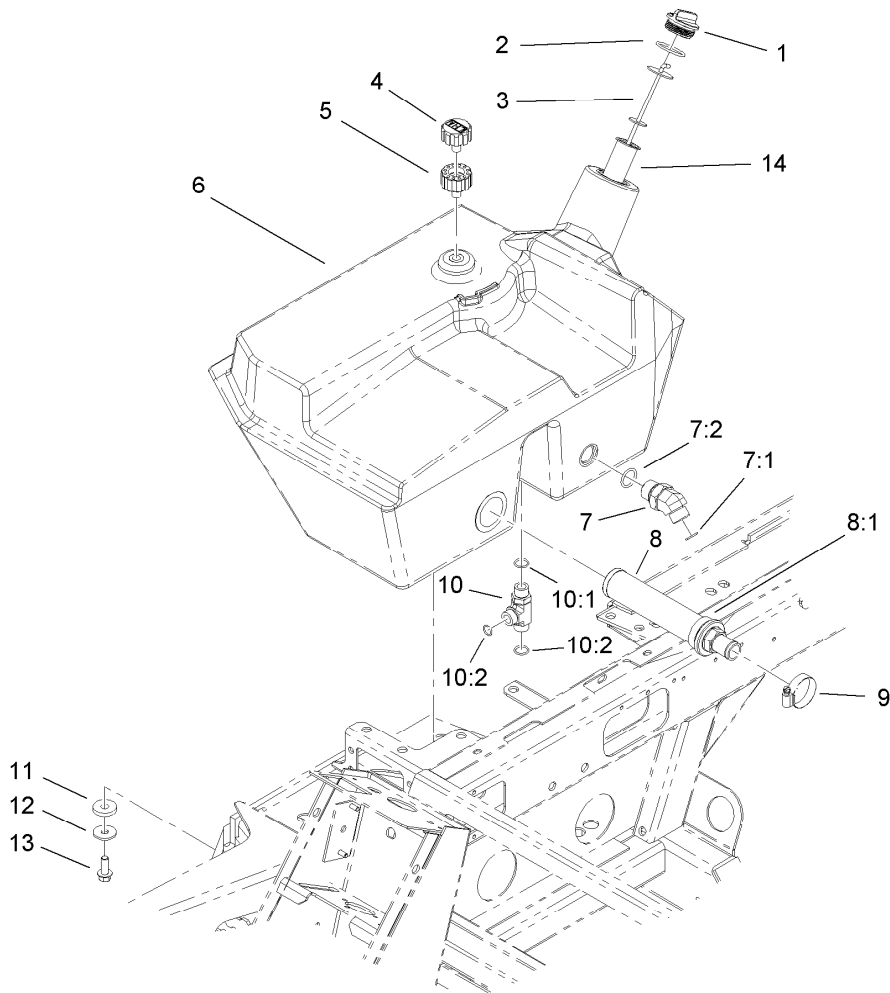
## Throttle and Seat Frame Assembly

| <i>Ref.</i> | <i>Part Number</i> | <i>Qty.</i> | <i>Description</i>  | <i>Ref.</i> | <i>Part Number</i> | <i>Qty.</i> | <i>Description</i>        |
|-------------|--------------------|-------------|---------------------|-------------|--------------------|-------------|---------------------------|
| 1           | 322-3              | 8           | Screw-HH            | 19          | 98-2352-03         | 1           | Frame-Seat                |
| 2           | 110-0453-03        | 1           | Seat Plate ASM      | 20          | 3290-467           | 1           | Pin-Hair                  |
| 3           | 94-8146            | 1           | Strip-Foam          | 21          | 75-3400            | 1           | Shaft-Pivot, Seat         |
| 4           | 98-2353            | 2           | Bracket-Latch, Seat | 22          | 104-7547           | 1           | Cable-Throttle            |
| 5           | 32128-25           | 4           | Nut-HF              | 23          | 105-3929-03        | 1           | Bracket-Cable, Throttle   |
| 6           | 98-2354-03         | 1           | Latch-Seat          | 24          | 66-4190            | 1           | Spring-Idler, Clutch      |
| 7           | 233-42             | 1           | Knob                | 25          | 105-9895           | 1           | Decal-Quick Reference     |
| 8           | 93-7598            | 1           | Lever-Throttle      | 26          | 105-9189           | 1           | Harness-Wire, Seat Switch |
| 9           | 3296-21            | 1           | Nut-Lock, NI        | 27          | 2412-133           | 2           | R-Clamp                   |
| 10          | 3290-307           | 1           | Pin-Hair            | 28          | 100-4928           | 1           | Belt-Seat                 |
| 11          | 3256-24            | 3           | Washer-Flat         | 29          | 2412-93            | 1           | Clamp-R                   |
| 12          | 3256-51            | 1           | Washer-Flat         | 30          | 3212-4             | 2           | Screw-HH                  |
| 13          | 75-3680-03         | 1           | Rod-Seat            | 31          | 3253-6             | 2           | Washer-Lock               |
| 14          | 66-2920            | 2           | Washer-Friction     | 33          | 104-8300           | 4           | Nut-Flange, NI            |
| 15          | 3296-39            | 1           | Nut-Lock, NI        | 34          | 104-7050           | 1           | Tube-Manual               |
| 16          | 2411-38            | 1           | Joint-Ball          | 35          | 104-7048           | 1           | Cap-Housing               |
| 17          | 3272-10            | 1           | Pin-Cotter          | 36          | 240-5              | 1           | Grommet                   |
| 18          | 52-2900            | 2           | Washer-Plastic      |             |                    |             |                           |



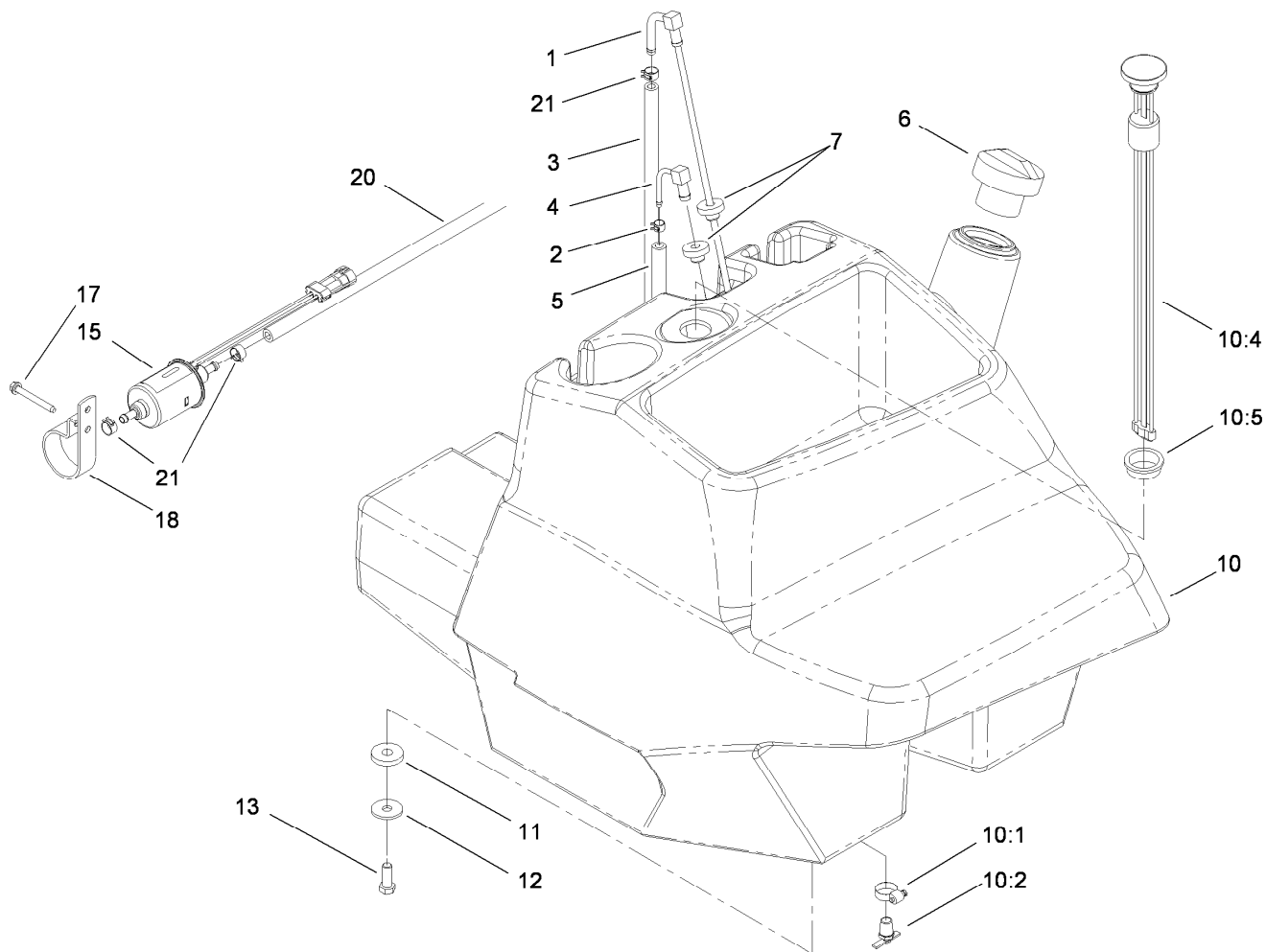
## Control Console Assembly

| Ref. | Part Number | Qty. | Description           | Ref. | Part Number | Qty. | Description              |
|------|-------------|------|-----------------------|------|-------------|------|--------------------------|
| 1    | 105-9208    | 2    | Screw-Head, Wing      | 17   | 95-8999     | 2    | Switch                   |
| 2    | 104-5599    | 1    | Cover-Console         | 18   | 108-4043-03 | 1    | Dash                     |
| 3    | 3234-13     | 4    | Screw-HHF             | 19   | 108-4044    | 1    | Decal-Console            |
| 4    | 32144-10    | 7    | Screw-HWH             | 23   | 99-7416     | 1    | Cap                      |
| 5    | 99-7430     | 3    | Relay                 | 24   | 99-7411     | 1    | Point-Power              |
| 6    | 104-5613-03 | 1    | Panel-Relay           | 25   | 3234-4      | 1    | Screw-HHF                |
| 8    | 110-0486    | 1    | Harness-Wire, Console | 26   | 104-5610-03 | 1    | Panel-Dash, Rear         |
| 8:2  | 218-578     | 4    | Fuse-Blade, 10 Amp    | 27   | 98-7611     | 1    | Controller-Glow          |
| 8:3  | 109355      | 1    | Fuse-Blade, 15 Amp    | 28   | 32128-33    | 3    | Nut-HF                   |
| 8:4  | 100-4918    | 1    | Diode                 | 29   | 3296-2      | 6    | Nut-Lock, NI             |
| 8:5  | 92-3188     | 1    | Diode-Board, Circuit  | 30   | 104-5609-03 | 1    | Panel-Dash, Front        |
| 8:6  | 94-6710     | 1    | Fuse-2 Amp            | 31   | 105-3986    | 1    | Module-Control, Deck     |
| 9    | 3234-5      | 9    | Screw-HHF             | 32   | 32105-13    | 6    | Screw-HWH                |
| 10   | 32148-6     | 6    | Insert-Nut            | 34   | 321-6       | 2    | Screw-HH                 |
| 11   | 105-9209    | 2    | Recepticle-Clip On    | 35   | 105-9840    | 1    | Bracket-Latch, RH        |
| 12   | 104-5612-03 | 1    | Support-Cover         | 36   | 105-9842    | 1    | Plate-Latch, Ce          |
| 13   | 32128-20    | 4    | Nut-HF                | 37   | 105-9841    | 1    | Bracket-Latch, LH        |
| 14   | 98-9308     | 1    | Gauge-Temperature     | 38   | 105-9830    | 1    | Decal-Lever Lock, Ce     |
| 14:1 | 3254-1      | 3    | Washer-Lock, Int      | 41   | 105-9873-03 | 1    | Bracket-Module           |
| 14:2 | 3217-27     | 3    | Nut-Hex               | 42   | 106-9277    | 1    | Module-Control, Standard |
| 14:3 | 105-9265    | 1    | Bulb And Lamp ASM     | 43   | 32144-110   | 3    | Screw-HWH                |
| 15   | 32144-18    | 2    | Screw-HH              | 44   | 3290-378    | 6    | Tie-Cable                |
| 16   | 75-6820     | 1    | Hourmeter             | 45   | 99-7420     | 1    | Plug-Hole                |



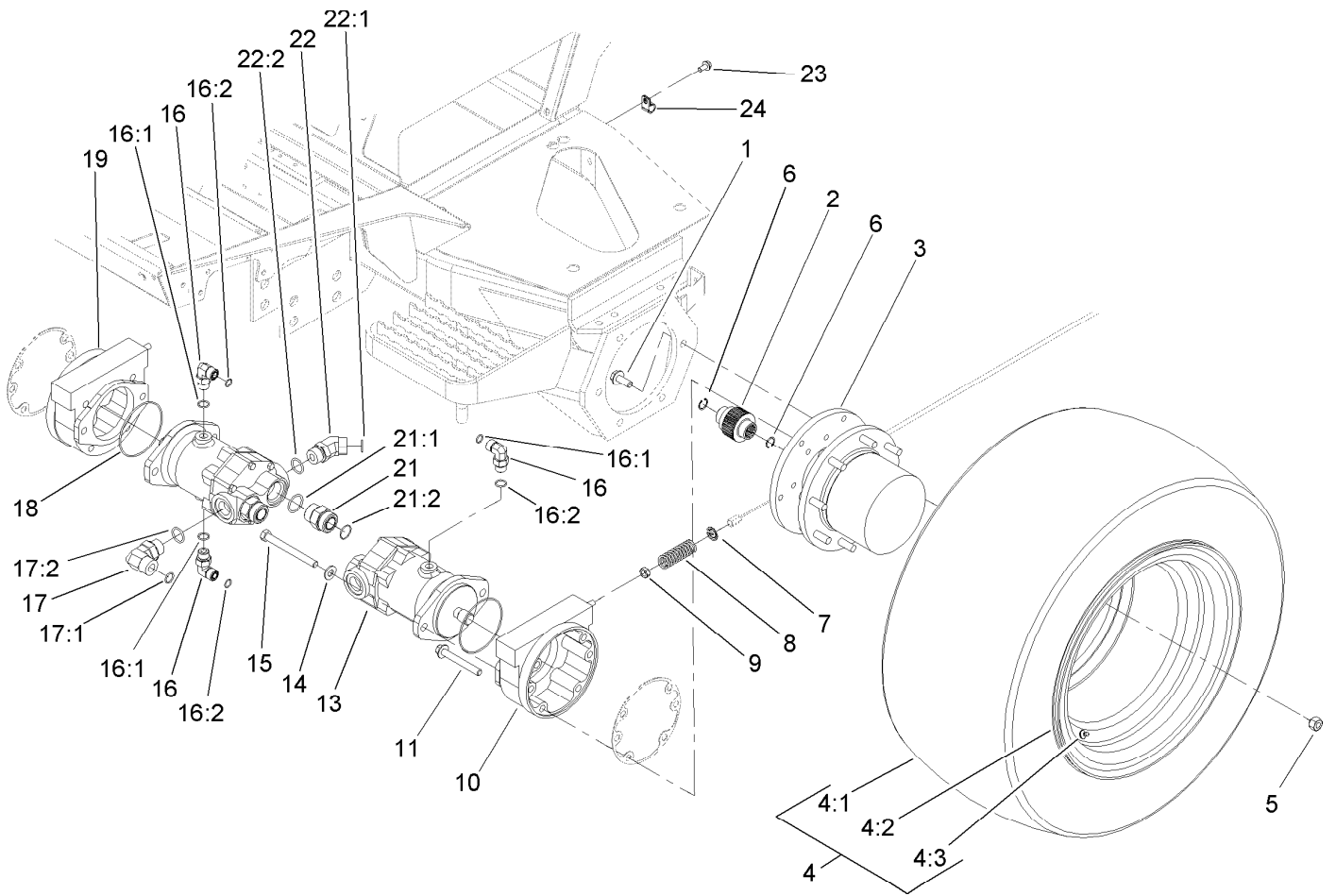
## Hydraulic Filter and Reservoir Assembly

| <i>Ref.</i> | <i>Part Number</i> | <i>Qty.</i> | <i>Description</i> |
|-------------|--------------------|-------------|--------------------|
| 1           | 93-7498            | 1           | Plug-Plastic       |
| 2           | 94-8166            | 1           | O-Ring             |
| 3           | 75-3710            | 1           | Dipstick           |
| 4           | 68-6150            | 1           | Breather           |
| 5           | 92-8020            | 1           | Adapter-Breather   |
| 6           | 104-5600           | 1           | Tank-HYD           |
| 7           | 340-156            | 1           | Fitting-HYD        |
| 7:1         | 237-65             | 1           | O-Ring             |
| 7:2         | 237-81             | 1           | O-Ring             |
| 8           | 104-7546           | 1           | Strainer-Tank      |
| 8:1         | 340-136            | 1           | O-Ring             |
| 9           | 2412-111           | 2           | Clamp              |
| 10          | 340-109            | 1           | Fitting-HYD, Tee   |
| 10:1        | 237-79             | 1           | O-Ring             |
| 10:2        | 237-30             | 2           | O-Ring             |
| 11          | 240-11             | 3           | Bushing-Flange     |
| 12          | 63-8410            | 3           | Washer             |
| 13          | 3234-11            | 3           | Screw-HHF          |
| 14          | 61-2790            | 1           | Filter-Screen      |



## Fuel Tank and Filter Assembly

| Ref. | Part Number | Qty. | Description        |
|------|-------------|------|--------------------|
| 1    | 112-5267    | 1    | Fitting-Suction    |
| 2    | 2412-80     | 2    | Clamp-Hose         |
| 3    | 110-3257    | 1    | Hose-Fuel          |
| 4    | 104-5605    | 1    | Fitting-Return     |
| 5    | 110-0471    | 1    | Hose-Fuel          |
| 6    | 114-5054    | 1    | Cap-Biodiesel      |
| 7    | 46-6560     | 2    | Bushing            |
| 10   | 104-5601    | 1    | Fuel Tank ASM      |
| 10:1 | 2412-36     | 1    | Clamp-Hose         |
| 10:2 | 304-46      | 1    | Draincock          |
| 10:4 | 104-5603    | 1    | Gauge-Level, Fuel  |
| 10:5 | 95-8972     | 1    | Grommet            |
| 11   | 240-11      | 4    | Bushing-Flange     |
| 12   | 63-8410     | 4    | Washer             |
| 13   | 3234-11     | 4    | Screw-HHF          |
| 15   | 110-8806    | 1    | Pump-Fuel          |
| 17   | 37-7260     | 1    | Screw-HHFTF        |
| 18   | 110-8817    | 1    | Bracket-Pump, Fuel |
| 20   | 109-0309    | 1    | Hose-Fuel          |
| 21   | 92-2379     | 3    | Clamp-Hose         |

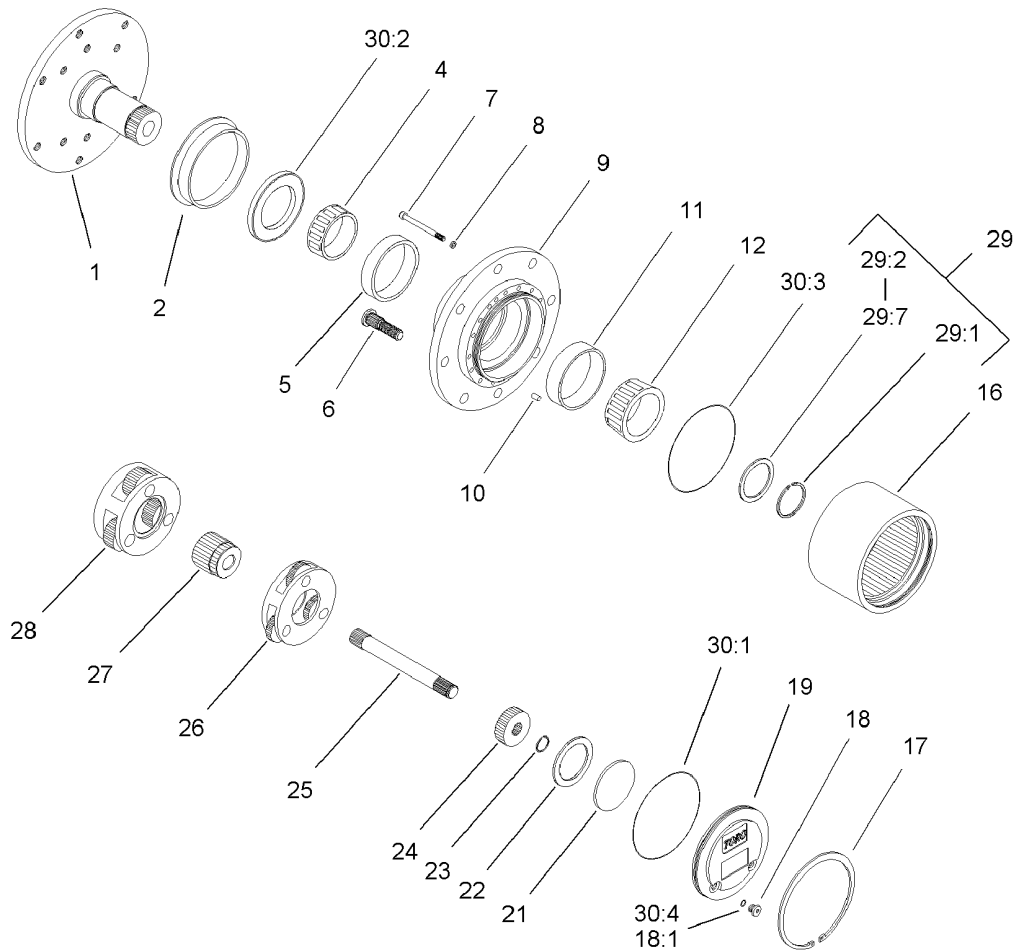


## Front Drive and Brake Assembly

| Ref. | Part Number | Qty. | Description              |
|------|-------------|------|--------------------------|
| 1    | 33106-030   | 12   | Screw-HHF                |
| 2    | 100-3046    | 2    | Shaft-Brake, Splined     |
| 3    | 105-4500-03 | 2    | Planetary ASM            |
| 4    |             | 2    | Wheel And Tire ASM ●     |
| 4:1  | 95-3465     | 1    | Tire                     |
| 4:2  | 95-3464     | 1    | Rim                      |
| 4:3  | 232-24      | 1    | Stem-Valve               |
| 5    | 92-7483     | 16   | Nut-Lug                  |
| 6    | 93-7972     | 4    | Ring-Retaining, Internal |
| 7    | 94-3050     | 2    | Plate-Spring             |
| 8    | 94-3088     | 2    | Spring-Compression       |
| 9    | 3218-4      | 2    | Nut-Jam                  |
| 10   | 100-3070-03 | 1    | Brake ASM                |
| 11   | 33106-090   | 8    | Screw-HHF                |
| 13   | 105-1218    | 2    | Piston Motor ASM         |
| 14   | 3256-26     | 4    | Washer-Flat              |
| 15   | 33116-120   | 4    | Screw-HH                 |

| Ref. | Part Number | Qty. | Description           |
|------|-------------|------|-----------------------|
| 16   | 340-98      | 3    | Fitting-HYD, 90 DEG   |
| 16:1 | 237-79      | 1    | O-Ring                |
| 16:2 | 237-30      | 1    | O-Ring                |
| 17   | 340-142     | 2    | Fitting-HYD, 90 DEG   |
| 17:1 | 237-58      | 1    | O-Ring                |
| 17:2 | 237-81      | 1    | O-Ring                |
| 18   | 237-166     | 2    | O-Ring                |
| 19   | 100-3069-03 | 1    | Brake ASM             |
| 21   | 104-3797    | 4    | Fitting-HYD, Straight |
| 21:1 | 237-146     | 1    | O-Ring                |
| 21:2 | 340-65      | 1    | O-Ring                |
| 22   | 100-5530    | 2    | Fitting-HYD, 45 DEG   |
| 22:1 | 237-58      | 1    | O-Ring                |
| 22:2 | 237-81      | 1    | O-Ring                |
| 23   | 32144-14    | 2    | Screw-HWHTF           |
| 24   | 2412-93     | 2    | Clamp-R               |

● Not serviced separately

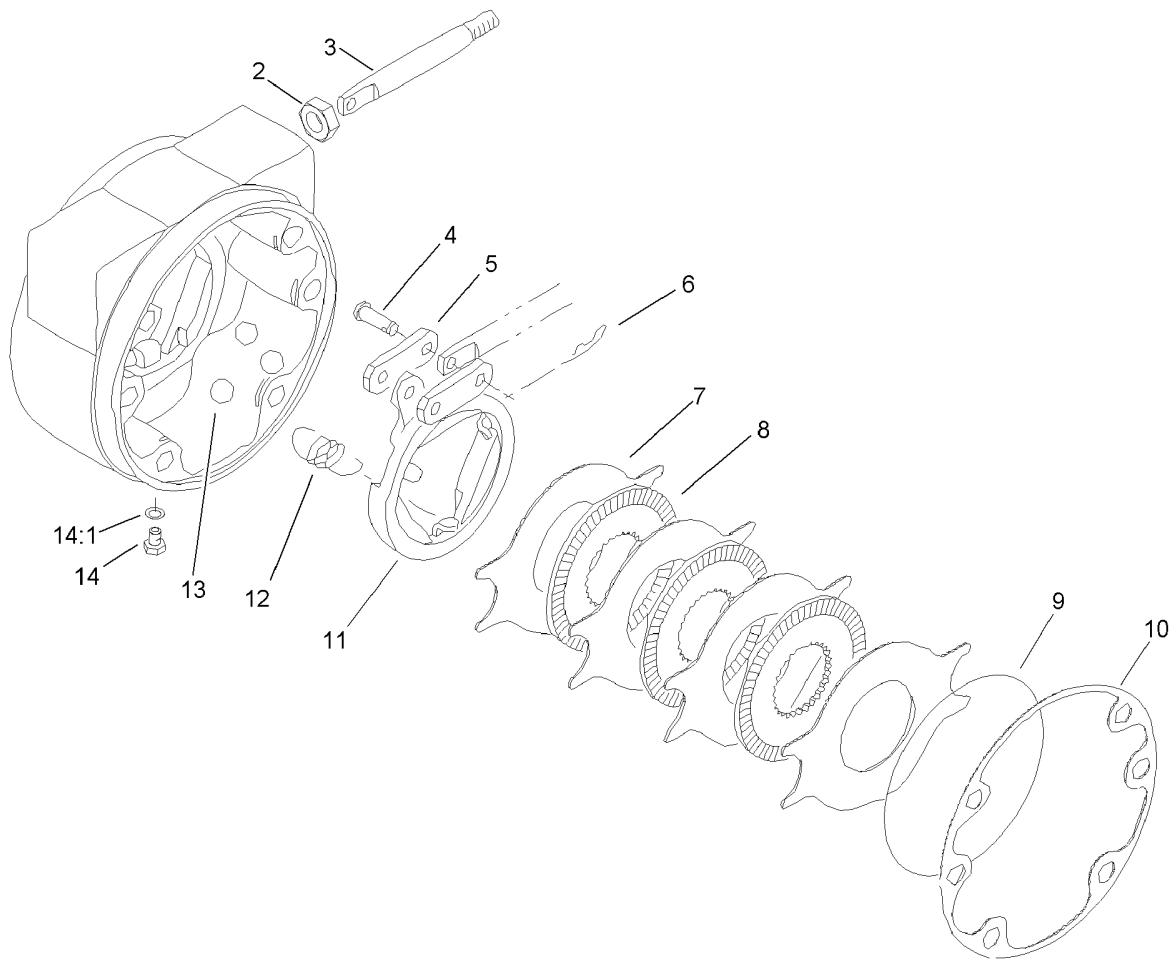


## Planetary Assembly No. 105-4500-03

| Ref. | Part Number | Qty. | Description       | Ref. | Part Number | Qty. | Description           |
|------|-------------|------|-------------------|------|-------------|------|-----------------------|
| 1    |             | 1    | Spindle ■         | 24   | 105-8114    | 1    | Gear-Primary          |
| 2    | 105-8122    | 1    | Seal-Boot         | 25   | 105-8115    | 1    | Shaft-Drive           |
| 4    | 105-8120    | 1    | Bearing-Cone      | 26   | 105-8129    | 1    | Primary Carrier ASM   |
| 5    | 105-8119    | 1    | Bearing-Cup       | 27   | 105-8139    | 1    | Gear-Secondary        |
| 6    | 105-8124    | 8    | Stud-Wheel        | 28   | 105-8130    | 1    | Secondary Carrier ASM |
| 7    | 105-8125    | 16   | Bolt-Head, Socket | 29   | 105-8136    | 1    | Shim Kit              |
| 8    | 3253-18     | 16   | Washer-Lock       | 29:1 |             | 1    | Ring-Snap ■           |
| 9    |             | 1    | Housing ■         | 29:2 |             | 1    | Shim-Bearing, 2.9Mm ■ |
| 10   | 105-8121    | 1    | Pin-Dowel         | 29:3 |             | 1    | Shim-Bearing, 2.8Mm ■ |
| 11   | 105-8117    | 1    | Bearing-Cup       | 29:4 |             | 1    | Shim-Bearing, 2.7Mm ■ |
| 12   | 105-8118    | 1    | Bearing-Cone      | 29:5 |             | 1    | Shim-Bearing, 2.6Mm ■ |
| 16   | 105-8113    | 1    | Gear-Ring         | 29:6 |             | 1    | Shim-Bearing, 2.5Mm ■ |
| 17   | 105-8132    | 1    | Ring-Retaining    | 29:7 |             | 1    | Shim-Bearing, 2.4Mm ■ |
| 18   | 353-990     | 2    | Plug              | 30   | 105-8137    | 1    | Seal Kit ●            |
| 18:1 | 237-78      | 1    | O-Ring            | 30:1 |             | 1    | O Ring-Flange Cap ■   |
| 19   | 105-8138    | 1    | Cap-End           | 30:2 |             | 1    | Seal-Oil ■            |
| 21   | 105-8133    | 1    | Plug-Thrust       | 30:3 |             | 2    | O Ring-End Cap ■      |
| 22   | 105-8123    | 1    | Washer-Thrust     | 30:4 | 237-78      | 2    | O-Ring                |
| 23   | 105-8131    | 1    | Ring-Retaining    |      |             |      |                       |

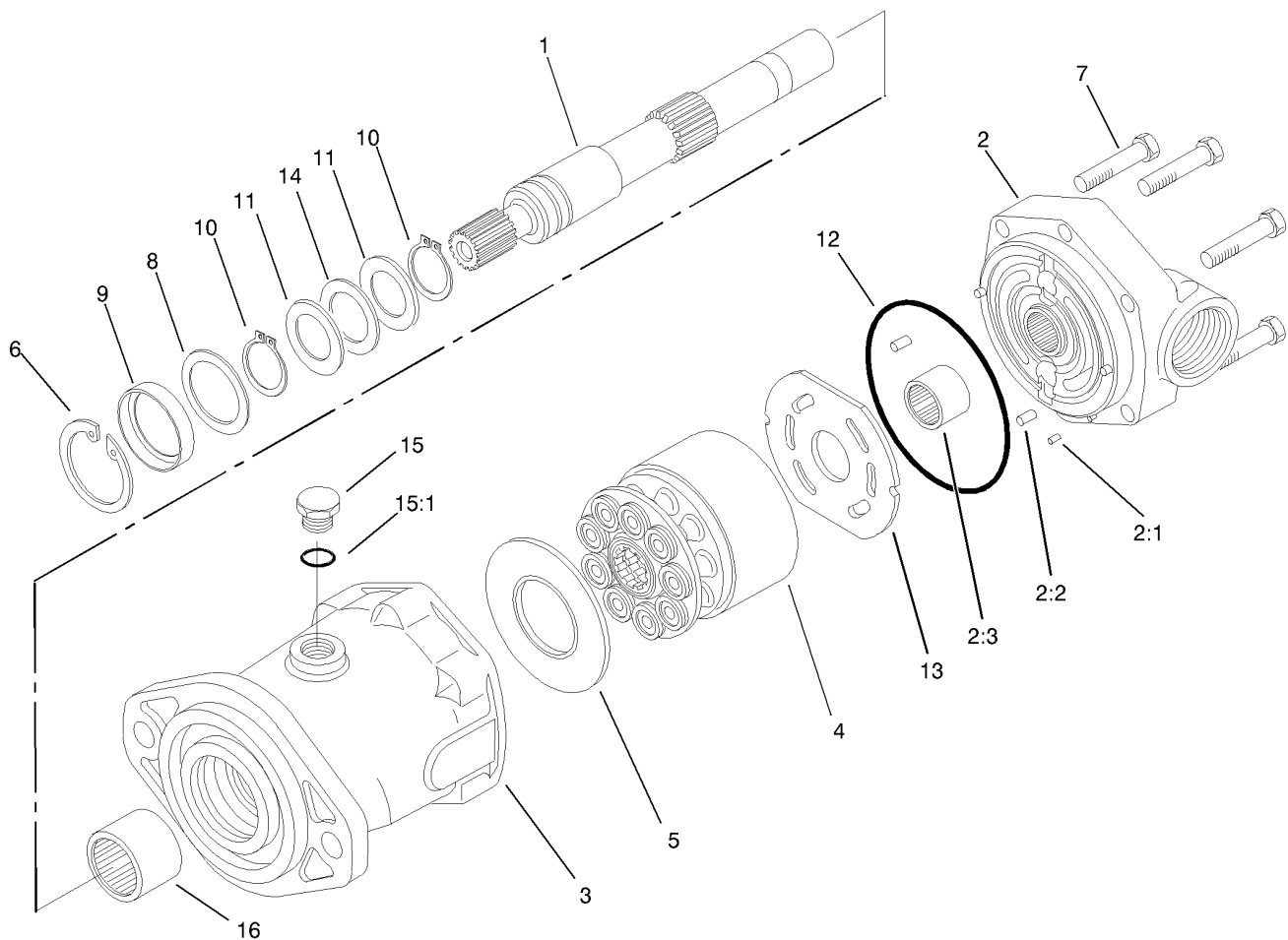
● Not illustrated

■ Not serviced separately



## Brake Assembly No. 100-3070-03

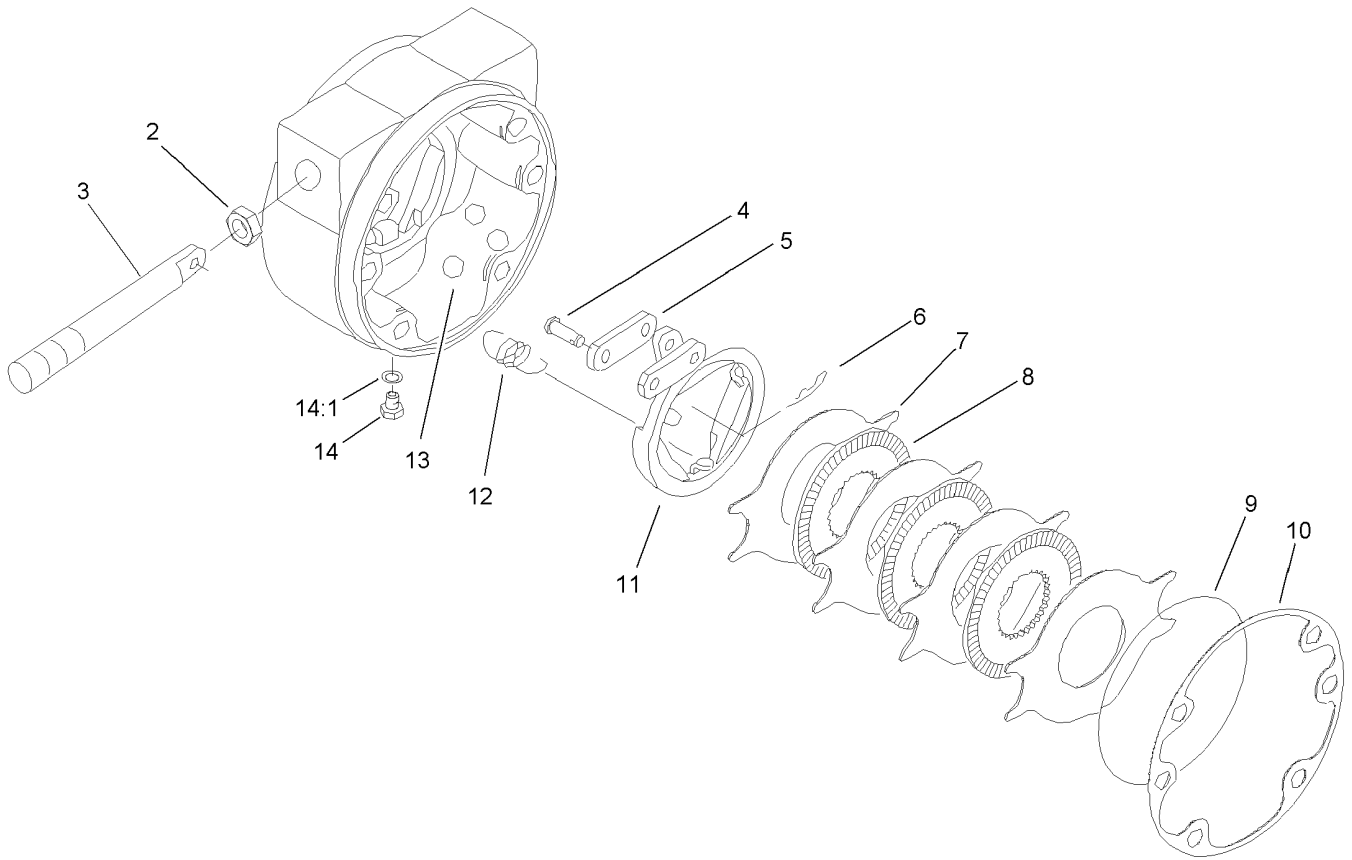
| <i>Ref.</i> | <i>Part Number</i> | <i>Qty.</i> | <i>Description</i> |
|-------------|--------------------|-------------|--------------------|
| 2           | 93-7977            | 1           | Seal               |
| 3           | 93-7978            | 1           | Rod-Pull           |
| 4           | 93-7983            | 2           | Pin-Clevis         |
| 5           | 93-7980            | 2           | Link               |
| 6           | 93-7979            | 2           | Pin-Hitch          |
| 7           | 93-7986            | 4           | Disc-Stationary    |
| 8           | 104-4278           | 3           | Disc-Rotating      |
| 9           | 93-7976            | 1           | Ring-Retaining     |
| 10          | 93-7984            | 1           | Gasket             |
| 11          | 104-4279           | 1           | Actuator-Rotating  |
| 12          | 93-7987            | 3           | Spring-Extension   |
| 13          | 93-7985            | 3           | Ball               |
| 14          | 353-990            | 2           | Plug               |
| 14:1        | 237-78             | 1           | O-Ring             |



## Piston Motor Assembly No. 105-1218

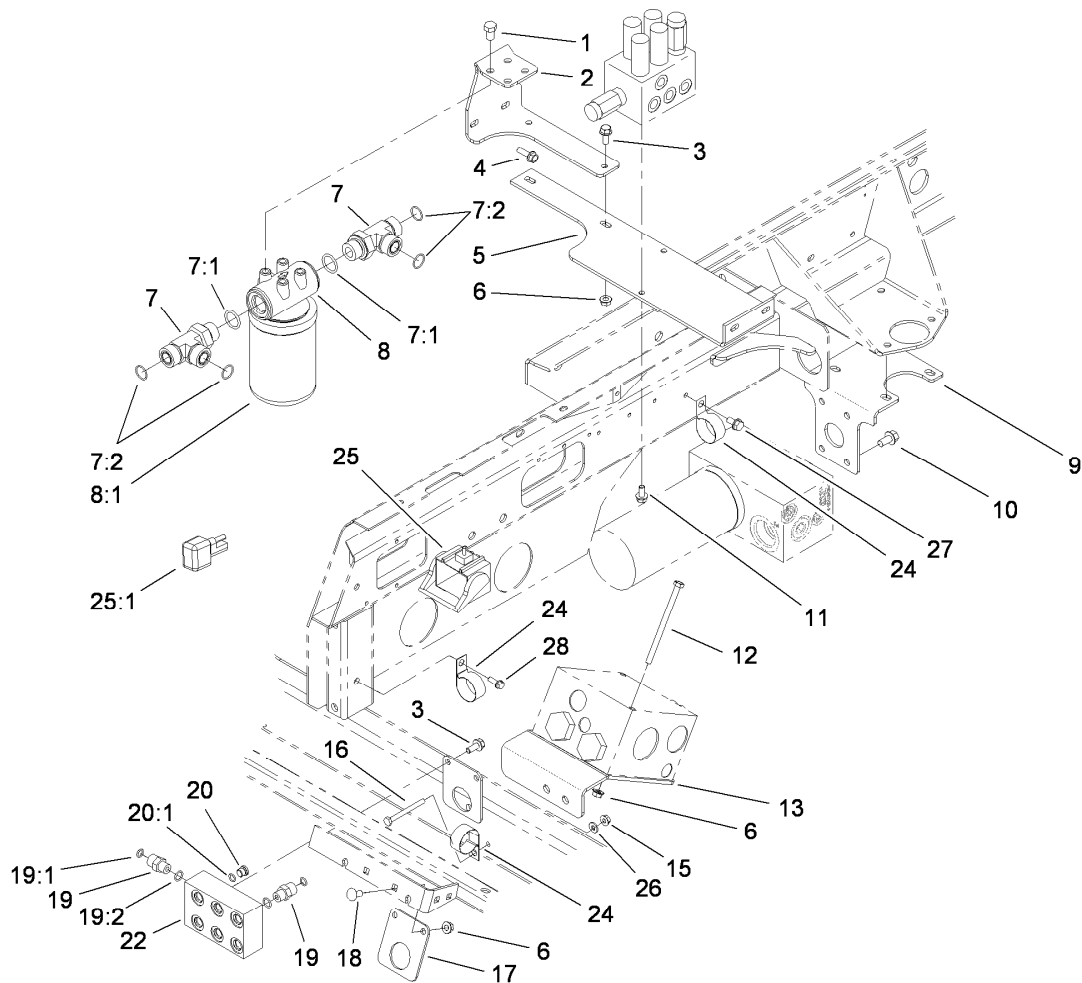
| Ref. | Part Number | Qty. | Description          |
|------|-------------|------|----------------------|
| 1    | 94-3004     | 1    | Shaft-Drive, Splined |
| 2    | 105-2851    | 1    | Backplate ASM        |
| 2:1  |             | 3    | Pin-Dowel ●          |
| 2:2  |             | 1    | Pin-Dowel ●          |
| 2:3  |             | 1    | Bearing-Needle ●     |
| 3    |             | 1    | Housing ●            |
| 4    | 76-6910     | 1    | Rotating Kit         |
| 5    | 76-6970     | 1    | Insert-Plate, Cam    |
| 6    | 60-6260     | 1    | Ring                 |
| 7    | 94-3002     | 6    | Capscrew             |
| 8    | 60-6240     | 1    | Washer               |
| 9    | 105-3331    | 1    | Seal-Shaft           |
| 10   | 76-7000     | 2    | Ring-Retaining       |
| 11   | 76-6950     | 2    | Race-Thrust          |
| 12   | 76-6980     | 1    | O-Ring               |
| 13   | 94-3003     | 1    | Plate-Valve          |
| 14   | 76-6960     | 1    | Bearing-Thrust       |
| 15   | 353-550     | 1    | Plug-HYD, HH         |
| 15:1 | 237-79      | 1    | O-Ring               |
| 16   | 63-4390     | 1    | Bearing-Needle       |

● Not serviced separately



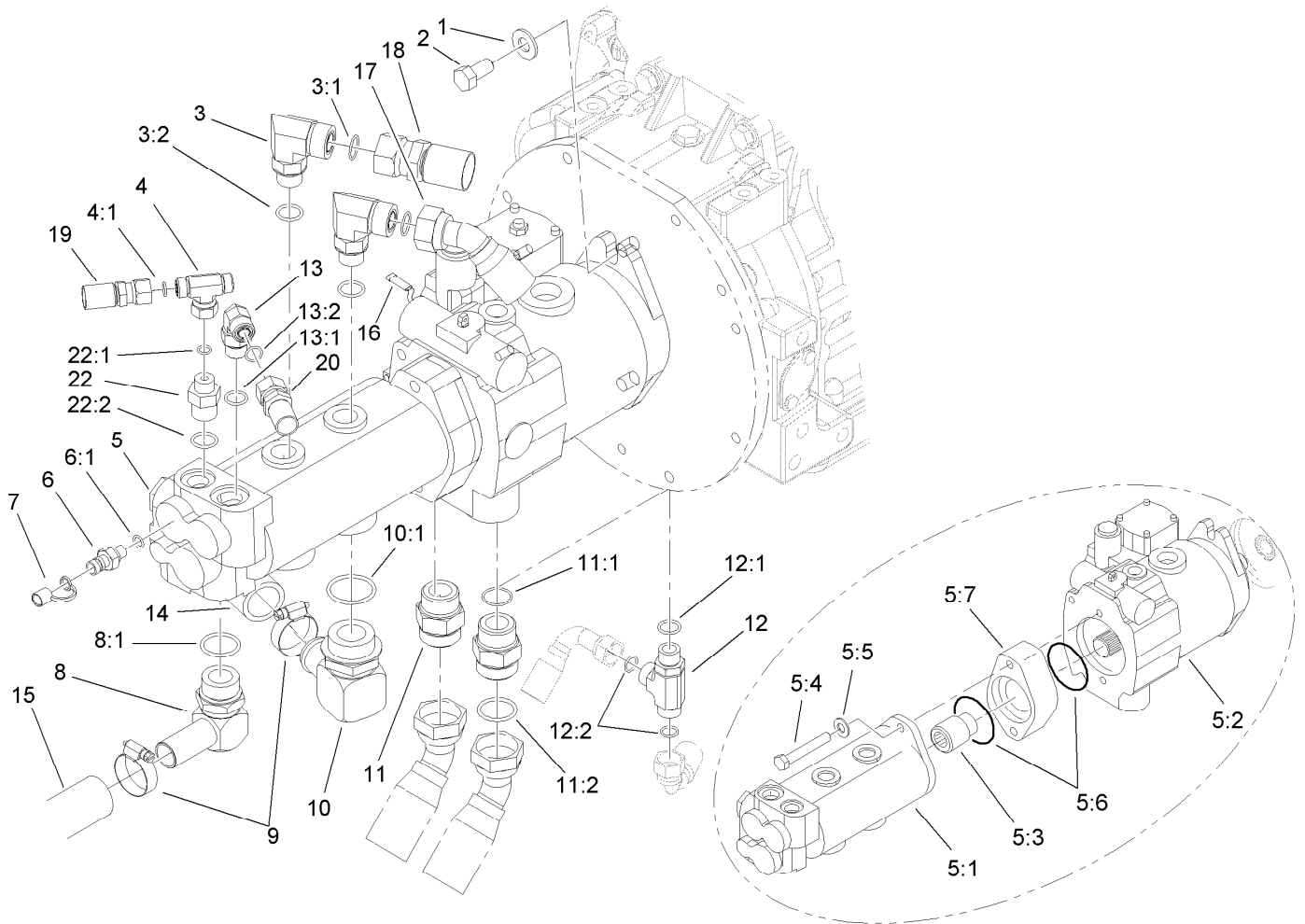
## Brake Assembly No. 100-3069-03

| <i>Ref.</i> | <i>Part Number</i> | <i>Qty.</i> | <i>Description</i> |
|-------------|--------------------|-------------|--------------------|
| 2           | 93-7977            | 1           | Seal               |
| 3           | 93-7978            | 1           | Rod-Pull           |
| 4           | 93-7983            | 2           | Pin-Clevis         |
| 5           | 93-7980            | 2           | Link               |
| 6           | 93-7979            | 2           | Pin-Hitch          |
| 7           | 93-7986            | 4           | Disc-Stationary    |
| 8           | 104-4278           | 3           | Disc-Rotating      |
| 9           | 93-7976            | 1           | Ring-Retaining     |
| 10          | 93-7984            | 1           | Gasket             |
| 11          | 104-4280           | 1           | Actuator-Rotating  |
| 12          | 93-7987            | 3           | Spring-Extension   |
| 13          | 93-7985            | 3           | Ball               |
| 14          | 353-990            | 2           | Plug               |
| 14:1        | 237-78             | 1           | O-Ring             |



## Manifold Mounting and Fitting Assembly

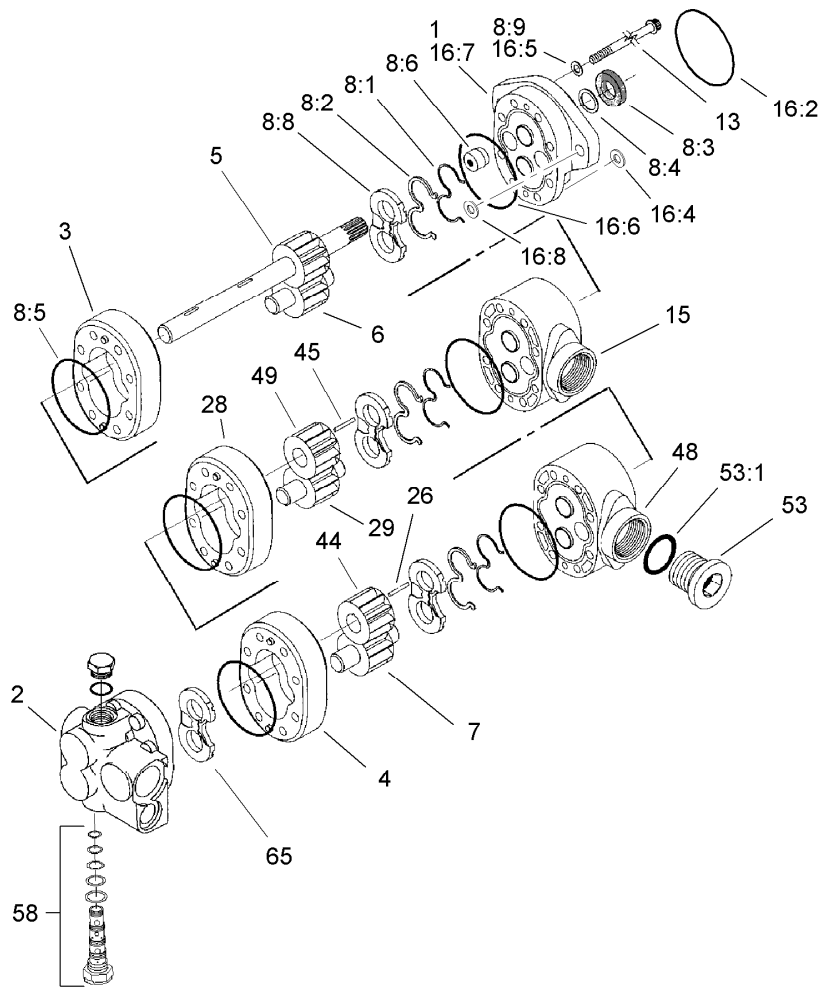
| Ref. | Part Number | Qty. | Description              | Ref. | Part Number | Qty. | Description             |
|------|-------------|------|--------------------------|------|-------------|------|-------------------------|
| 1    | 33115-016   | 4    | Screw-HH                 | 15   | 32128-33    | 2    | Nut-HF                  |
| 2    | 104-5492-03 | 1    | Bracket-Mount, Filter    | 16   | 321-14      | 2    | Screw-HH                |
| 3    | 3234-5      | 4    | Screw-HHF                | 17   | 104-5516-01 | 1    | Support-Tube            |
| 4    | 3234-17     | 4    | Screw-HHF                | 18   | 3230-23     | 2    | Screw-CARR              |
| 5    | 104-5493-03 | 1    | Bracket-Mount, Valve     | 19   | 340-2       | 4    | Fitting-HYD, Straight   |
| 6    | 32128-20    | 6    | Nut-HF                   | 19:1 | 237-22      | 1    | O-Ring                  |
| 7    | 340-148     | 2    | Fitting-Tee              | 19:2 | 237-42      | 1    | O-Ring                  |
| 7:1  | 237-81      | 1    | O-Ring                   | 20   | 353-990     | 1    | Plug                    |
| 7:2  | 237-58      | 2    | O-Ring                   | 20:1 | 237-78      | 1    | O-Ring                  |
| 8    | 93-2242     | 1    | Oil Filter ASM           | 22   | 104-5515    | 1    | Manifold-Junction, Lift |
| 8:1  | 75-1310     | 1    | Element-Filter           | 24   | 2412-150    | 3    | Clip-J                  |
| 9    | 110-0472-03 | 1    | Bracket-Manifold, Filter | 25   | 114-9750    | 1    | Harness-Wire, Main      |
| 10   | 3234-1      | 4    | Screw-HHF                | 25:1 | 100-4918    | 1    | Diode                   |
| 11   | 3234-5      | 2    | Screw-HHF                | 26   | 3256-22     | 2    | Washer-Flat             |
| 12   | 322-48      | 2    | Screw-HH                 | 27   | 32144-14    | 1    | Screw-HWHTF             |
| 13   | 104-5467-03 | 1    | Bracket-Mount, Valve     | 28   | 3234-4      | 1    | Screw-HHF               |



## Hydraulic Pump Assembly

| Ref. | Part Number | Qty. | Description         | Ref. | Part Number | Qty. | Description           |
|------|-------------|------|---------------------|------|-------------|------|-----------------------|
| 1    | 87-7270     | 2    | Washer-Thrust       | 10   | 92-7526     | 1    | Fitting-HYD, 90 DEG   |
| 2    | 3213-2      | 2    | Screw-HH            | 10:1 | 237-101     | 1    | O-Ring                |
| 3    | 340-16      | 2    | Fitting-HYD, 90 DEG | 11   | 104-3797    | 2    | Fitting-HYD, Straight |
| 3:1  | 237-80      | 1    | O-Ring              | 11:1 | 237-146     | 1    | O-Ring                |
| 3:2  | 237-58      | 1    | O-Ring              | 11:2 | 340-65      | 1    | O-Ring                |
| 4    | 340-166     | 1    | Fitting-Tee, HYD    | 12   | 340-109     | 1    | Fitting-HYD, Tee      |
| 4:1  | 237-22      | 1    | O-Ring              | 12:1 | 237-79      | 1    | O-Ring                |
| 5    |             | 1    | Pump ASM ●          | 12:2 | 237-30      | 2    | O-Ring                |
| 5:1  | 105-9845    | 1    | Triple Pump ASM     | 13   | 340-98      | 1    | Fitting-HYD, 90 DEG   |
| 5:2  | 110-0464    | 1    | Pump-Piston         | 13:1 | 237-79      | 1    | O-Ring                |
| 5:3  | 74-9030     | 1    | Coupler             | 13:2 | 237-30      | 1    | O-Ring                |
| 5:4  | 323-32      | 2    | Screw-HH            | 14   | 104-5482    | 1    | Hose-Suction          |
| 5:5  | 60-3540     | 2    | Washer              | 15   | 104-5484    | 1    | Hose-Suction          |
| 5:6  | 60-3520     | 2    | O-Ring              | 16   | 105-0122    | 1    | Harness-Wire          |
| 5:7  | 105-2869    | 1    | Spacer              | 17   | 105-3874    | 1    | Hose ASM              |
| 6    | 354-77      | 2    | Fitting-Quick       | 18   | 105-3875    | 1    | HYD Hose ASM          |
| 6:1  | 237-78      | 1    | O-Ring              | 19   | 92-7595     | 1    | Hose ASM              |
| 7    | 354-79      | 2    | Cap-Dust            | 20   | 105-3869    | 1    | Hose ASM              |
| 8    | 56-9530     | 1    | Fitting-HYD, 90 DEG | 22   | 340-141     | 1    | Fitting-HYD, Straight |
| 8:1  | 237-117     | 1    | O-Ring              | 22:1 | 237-22      | 1    | O-Ring                |
| 9    | 2412-130    | 2    | Clamp-Hose          | 22:2 | 237-80      | 1    | O-Ring                |

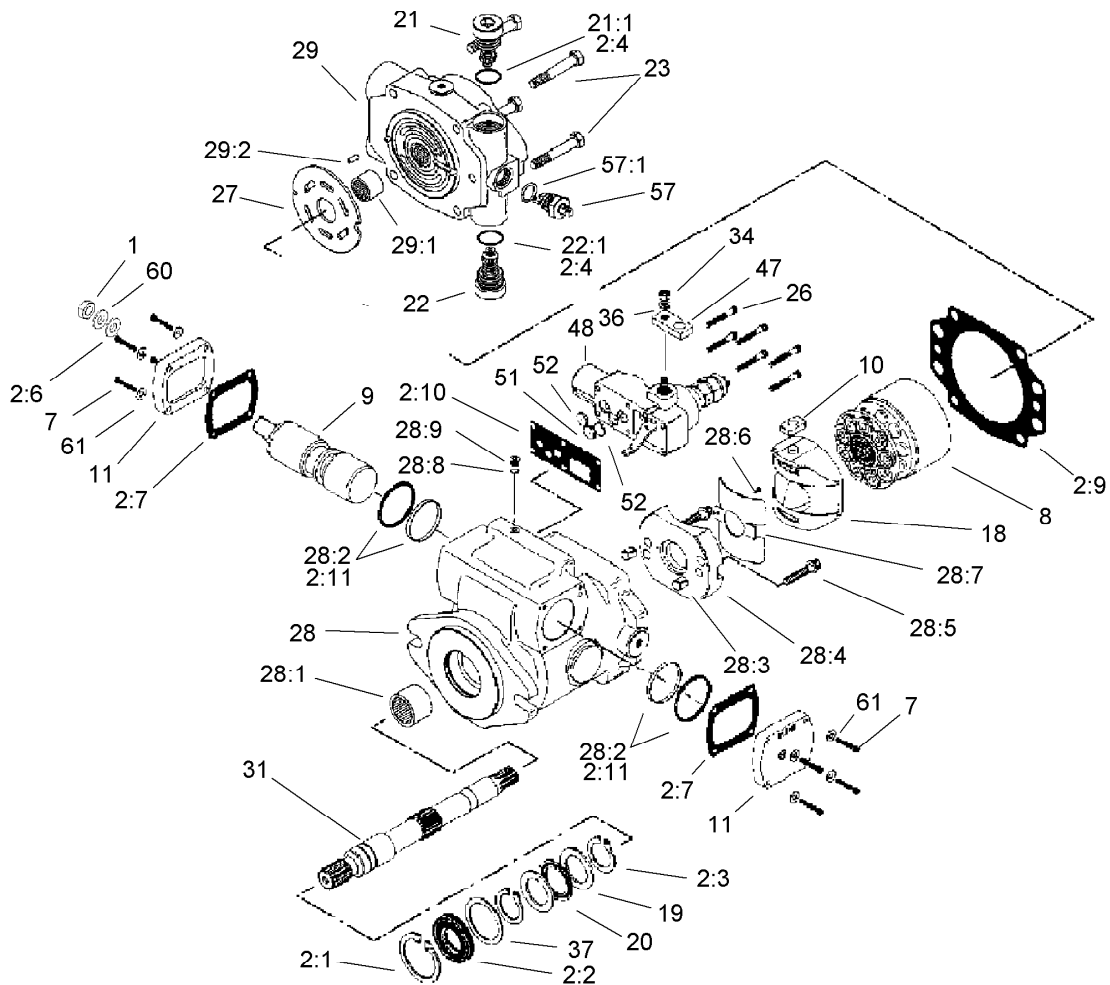
● Not serviced separately



## Triple Pump Assembly No. 105-9845

| Ref. | Part Number | Qty. | Description       | Ref. | Part Number | Qty. | Description        |
|------|-------------|------|-------------------|------|-------------|------|--------------------|
| 1    |             | 1    | Front Plate ASM ● | 16   | 107-4328    | 1    | Front Plate Kit    |
| 2    |             | 1    | Back Plate ASM ●  | 16:2 |             | 1    | Seal-Dust ●        |
| 3    |             | 1    | Body ●            | 16:4 |             | 4    | Washer ●           |
| 4    |             | 1    | Body ●            | 16:5 |             | 4    | Washer-Crush ●     |
| 5    |             | 1    | Drive Gear ASM ●  | 16:6 |             | 1    | Seal-Dust ●        |
| 6    |             | 1    | Gear-Idler ●      | 16:7 |             | 1    | Plate-Front ●      |
| 7    |             | 1    | Gear-Idler ●      | 16:8 |             | 2    | Washer ●           |
| 8    | 94-3015     | 1    | Seal Kit          | 26   |             | 1    | Key ●              |
| 8:1  |             | 3    | Gasket-Back Up ●  | 28   |             | 1    | Body ●             |
| 8:2  |             | 3    | Seal-Balance ●    | 29   |             | 1    | Gear-Idler ●       |
| 8:3  | 49-2640     | 1    | Seal-Shaft        | 44   |             | 1    | Gear ●             |
| 8:4  | 60-5890     | 1    | Washer            | 45   |             | 1    | Key ●              |
| 8:5  |             | 6    | Seal-Dust ●       | 48   |             | 1    | Plate-Adaptor ●    |
| 8:6  |             | 1    | Plug ●            | 49   |             | 1    | Gear ●             |
| 8:8  |             | 3    | Plate-Wear ●      | 53   | 94-3013     | 1    | Plug               |
| 8:9  |             | 4    | Washer ●          | 53:1 |             | 1    | Seal-Dust ●        |
| 13   | 105-9849    | 8    | Capscrew          | 58   | 107-1970    | 1    | Valve-Proportional |
| 15   |             | 1    | Plate-Adaptor ●   | 65   |             | 1    | Plate-Thrust ●     |

● Not serviced separately

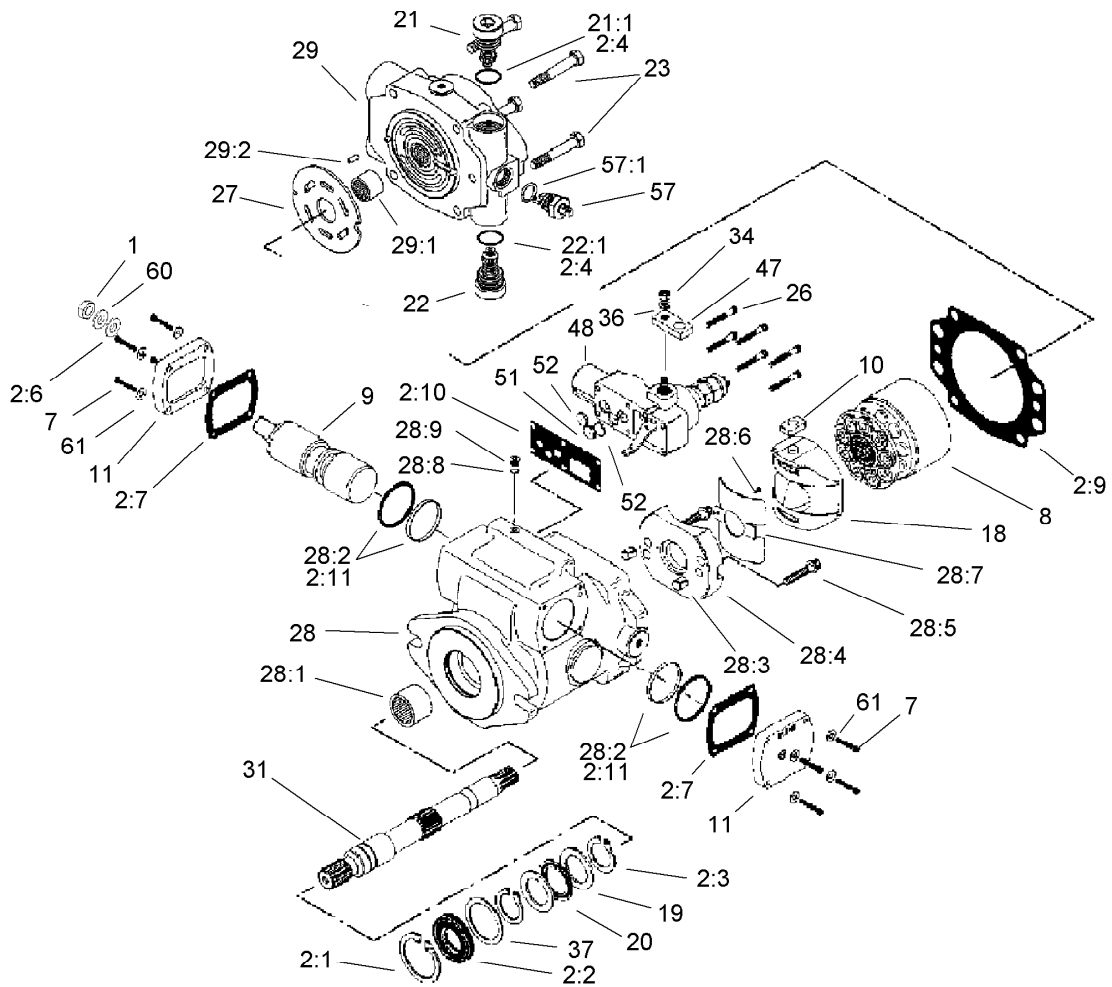


## Piston Pump Assembly No. 110-0464

| Ref. | Part Number | Qty. | Description             | Ref. | Part Number | Qty. | Description                |
|------|-------------|------|-------------------------|------|-------------|------|----------------------------|
| 1    | 3220-2      | 1    | Nut-Jam                 | 27   | 105-9854    | 1    | Plate-Valve                |
| 2    | 107-1561    | 1    | Seal Kit                | 28   | 105-9855    | 1    | Housing ASM                |
| 2:1  | 60-6260     | 1    | Ring                    | 28:1 |             | 1    | Bearing ■                  |
| 2:2  | 105-3331    | 1    | Seal-Shaft              | 28:2 |             | 2    | Seal ASM ■                 |
| 2:3  | 76-7000     | 2    | Ring-Retaining          | 28:3 |             | 2    | Dowel-Bushing ■            |
| 2:4  |             | 2    | O-Ring ■                | 28:4 |             | 1    | Cradle ASM ■               |
| 2:6  | 94-3027     | 1    | Washer-Seal ●           | 28:5 |             | 2    | Washer ■                   |
| 2:7  | 93-6339     | 2    | Gasket                  | 28:6 |             | 1    | Washer ■                   |
| 2:9  | 105-2900    | 1    | Gasket-Housing ●        | 28:7 |             | 1    | Bushing ■                  |
| 2:10 | 105-2901    | 1    | Gasket-Housing, Control | 28:8 |             | 1    | O-Ring ■                   |
| 2:11 |             | 2    | Seal ASM ■              | 28:9 |             | 1    | Plug ■                     |
| 7    | 3274-81     | 8    | Screw-HSH ●             | 29   | 105-9856    | 1    | Backplate ASM              |
| 8    | 105-9851    | 1    | Rotating Kit            | 29:1 |             | 1    | Bearing ■                  |
| 9    | 105-4572    | 1    | Servo Piston ASM        | 29:2 |             | 1    | Pin-Roll ■                 |
| 10   | 94-3032     | 1    | Follower-Piston         | 31   | 105-2861    | 1    | Shaft-Drive                |
| 11   | 105-9853    | 1    | Plate-Cover             | 34   | 3217-5      | 1    | Nut-Hex                    |
| 18   | 94-3026     | 1    | Camplate ASM            | 36   | 3253-3      | 1    | Washer-Lock                |
| 19   | 76-6950     | 2    | Race-Thrust             | 37   | 60-6240     | 1    | Washer                     |
| 20   | 76-6960     | 1    | Bearing-Thrust          | 47   | 110-0036    | 1    | Arm-Control                |
| 21   | 105-2857    | 1    | Valve-Relief            | 48   | 108-1503    | 1    | Manual Servo Control ASM   |
| 21:1 |             | 1    | O-Ring ■                | 51   | 105-2909    | 1    | Orifice-Control, .036 Dia  |
| 22   | 105-2857    | 1    | Valve-Relief            | 52   | 94-3041     | 2    | Orifice-Control (.028 Dia) |
| 22:1 |             | 1    | O-Ring ■                | 57   | 105-2864    | 1    | Valve-Bypass               |
| 23   | 323-45      | 4    | Screw-HH                | 57:1 |             | 1    | O-Ring ■                   |
| 26   | 3274-59     | 6    | Screw-HSH               |      |             |      |                            |

● Not illustrated

■ Not serviced separately

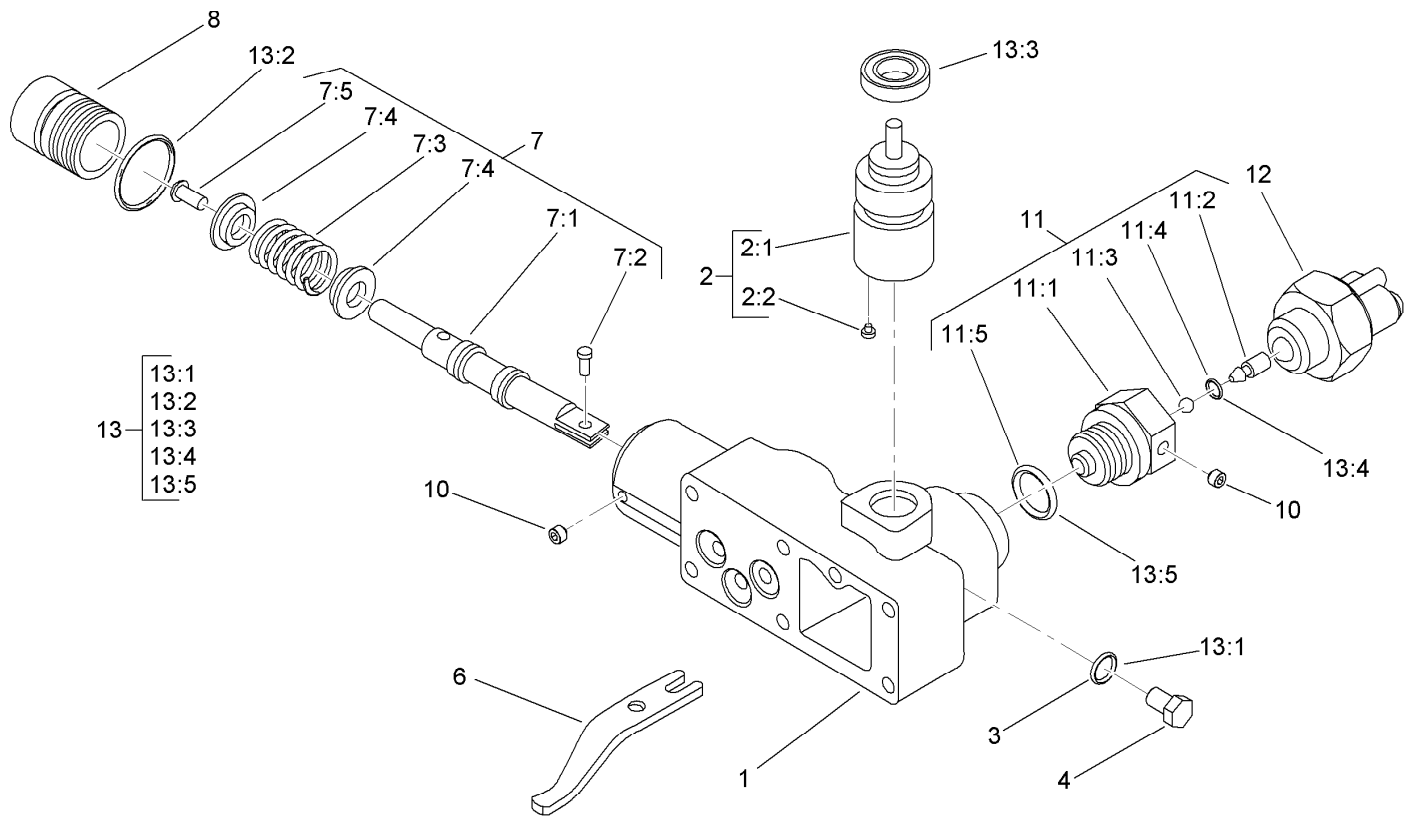


## Piston Pump Assembly No. 110-0464 (continued)

| <i>Ref.</i> | <i>Part Number</i> | <i>Qty.</i> | <i>Description</i> |
|-------------|--------------------|-------------|--------------------|
| 60          | 94-3030            | 1           | Washer             |
| 61          | 3256-77            | 8           | Washer-Flat        |

● Not illustrated

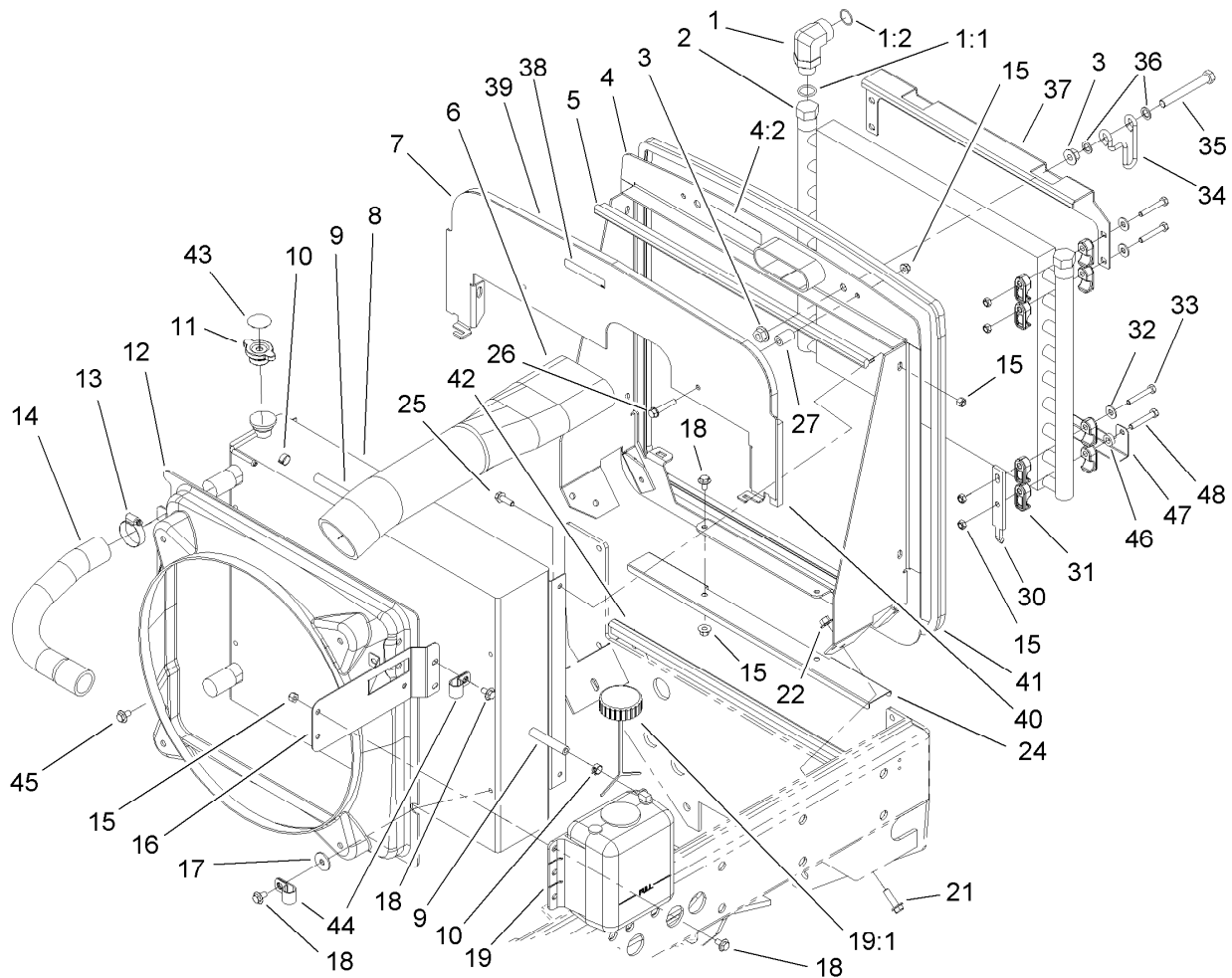
■ Not serviced separately



## Control Assembly No. 108-1503

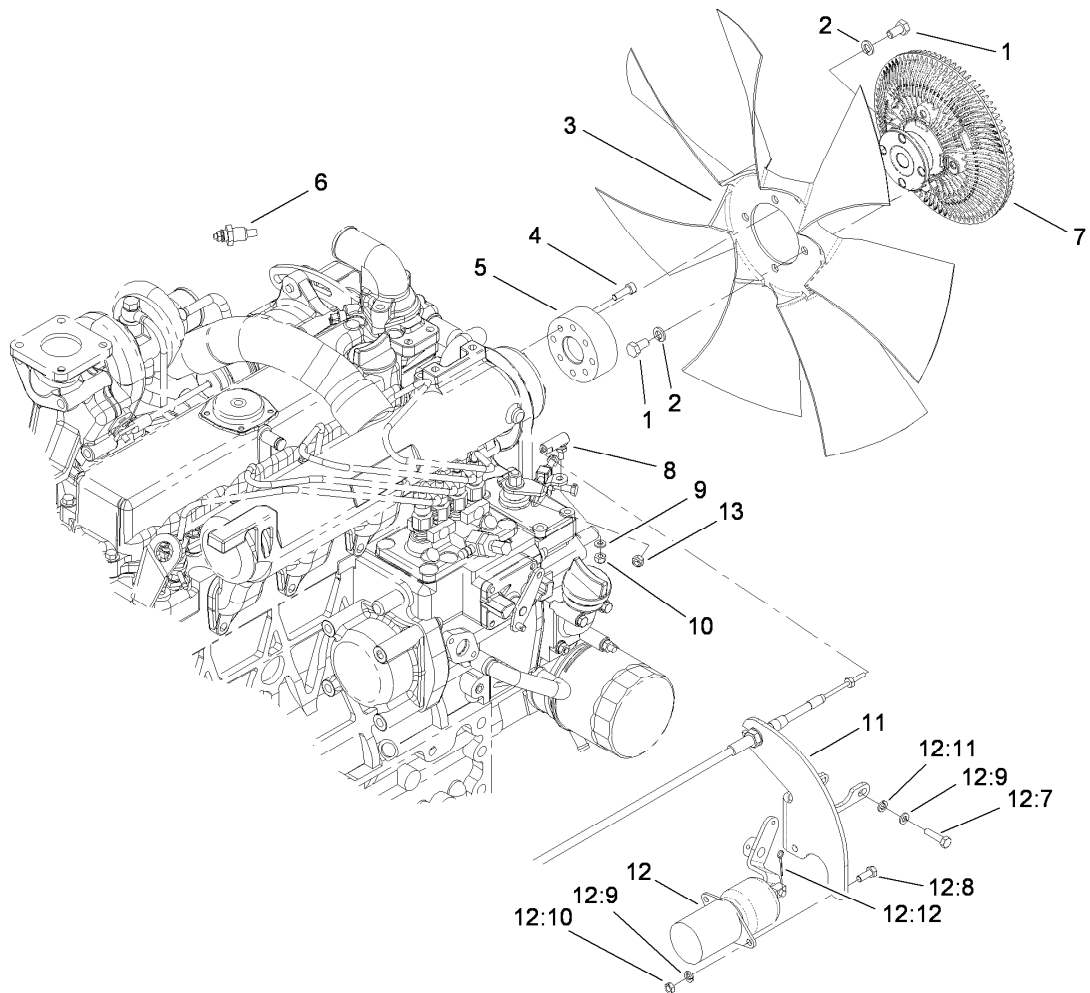
| Ref. | Part Number | Qty. | Description             | Ref. | Part Number | Qty. | Description                |
|------|-------------|------|-------------------------|------|-------------|------|----------------------------|
| 1    |             | 1    | Housing-Control ●       | 10   |             | 2    | Screw-Set ●                |
| 2    | 108-7099    | 1    | Input Control Shaft ASM | 11   | 108-8003    | 1    | Adaptor ASM                |
| 2:1  |             | 1    | Shaft ●                 | 11:1 |             | 1    | Adaptor-Lockout, Neutral ● |
| 2:2  |             | 1    | Pin ●                   | 11:2 |             | 1    | Pin ●                      |
| 3    |             | 1    | O-Ring ●                | 11:3 |             | 1    | Ball ●                     |
| 4    |             | 1    | Plug ●                  | 11:4 |             | 1    | O-Ring ●                   |
| 6    |             | 1    | Link-Feedback ●         | 11:5 |             | 1    | O-Ring ●                   |
| 7    | 108-7098    | 1    | Valve Spool ASM         | 12   | 94-3043     | 1    | Switch-Safety, Neutral     |
| 7:1  |             | 1    | Valve-Spool ●           | 13   | 94-3044     | 1    | Seal Kit                   |
| 7:2  |             | 1    | Pin-Dowel ●             | 13:1 |             | 1    | O-Ring ●                   |
| 7:3  |             | 1    | Spring ●                | 13:2 |             | 1    | O-Ring ●                   |
| 7:4  |             | 2    | Retainer ●              | 13:3 |             | 1    | Seal-Wiper ●               |
| 7:5  |             | 1    | Washer ●                | 13:4 |             | 1    | O-Ring ●                   |
| 8    |             | 1    | Plug ●                  | 13:5 |             | 1    | O-Ring ●                   |

● Not serviced separately



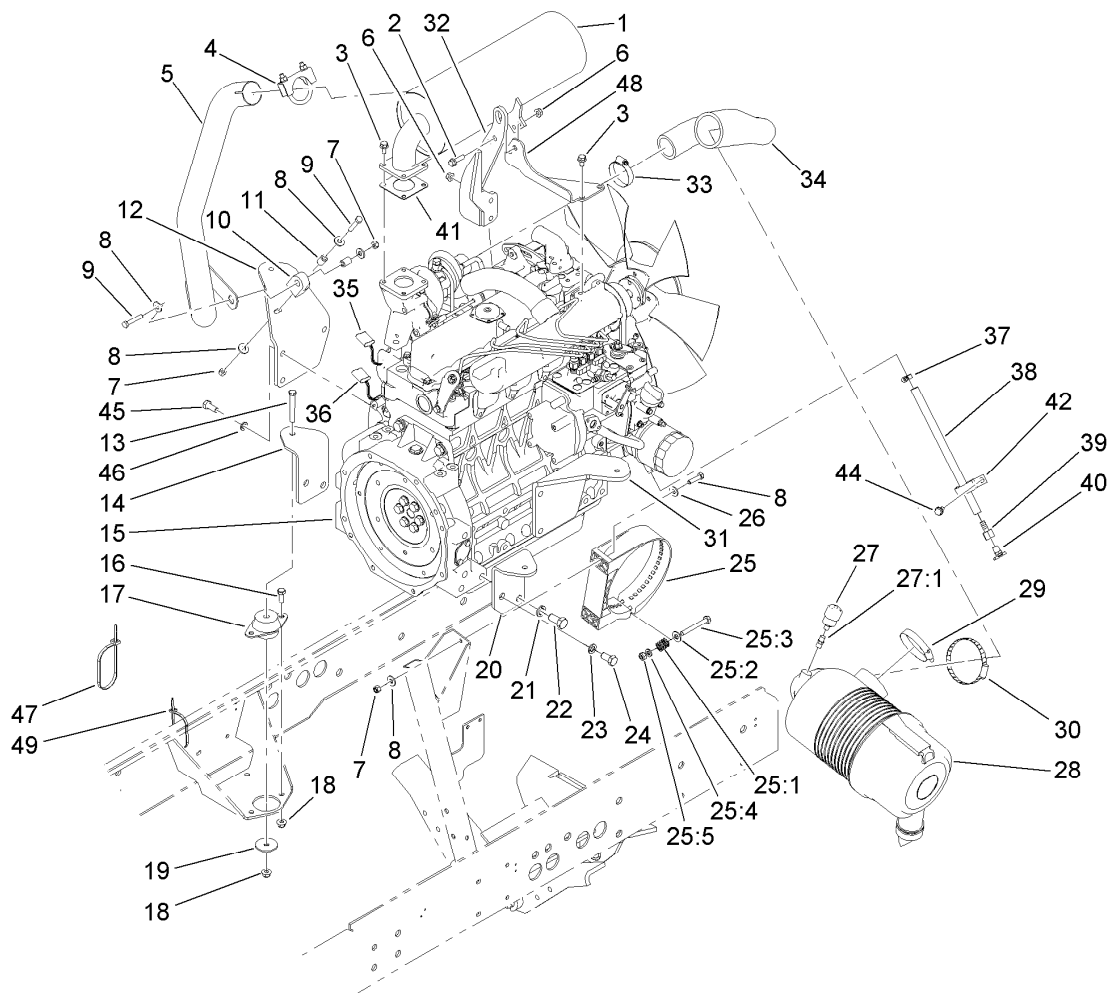
## Radiator Assembly

| <i>Ref.</i> | <i>Part Number</i> | <i>Qty.</i> | <i>Description</i>    | <i>Ref.</i> | <i>Part Number</i> | <i>Qty.</i> | <i>Description</i>      |
|-------------|--------------------|-------------|-----------------------|-------------|--------------------|-------------|-------------------------|
| 1           | 104-3796           | 2           | Fitting-HYD, 90 DEG   | 22          | 32128-43           | 4           | Nut-Flange              |
| 1:1         | 237-81             | 1           | O-Ring                | 24          | 104-5426-03        | 1           | Cover-Bottom            |
| 1:2         | 340-65             | 1           | O-Ring                | 25          | 3234-17            | 4           | Screw-HHF               |
| 2           | 108-4008           | 1           | Cooler-Oil            | 26          | 94-5780            | 2           | Screw-HWH               |
| 3           | 32128-49           | 4           | Nut-HHF               | 27          | 93-6981            | 2           | Spacer                  |
| 4           | 105-3994           | 1           | Bracket-Radiator      | 30          | 104-5460-03        | 2           | Plate-Mount, Oil Cooler |
| 4:2         | 93-7275            | 1           | Decal-Fluid, Starting | 31          | 105-3943           | 16          | Clamp-Cooler, Oil       |
| 5           | 104-2223           | 1           | Seal-Bulb             | 32          | 3256-23            | 12          | Washer-Flat             |
| 6           | 100-5550           | 1           | Hose-Cleaner, Air     | 33          | 322-10             | 6           | Screw-HH                |
| 7           | 105-3934-03        | 1           | Bracket-Seal, Hood    | 34          | 104-5429           | 2           | Clamp-Form, Wire        |
| 8           | 107-0244           | 1           | Radiator              | 35          | 325-17             | 2           | Screw-HH                |
| 9           | 110-3258           | 2           | Hose-Fuel             | 36          | 41-8440            | 4           | Washer                  |
| 10          | 92-2379            | 3           | Clamp-Hose            | 37          | 104-5428           | 1           | Bracket-Oil Cooler, Top |
| 11          | 93-5957            | 1           | Cap-Radiator          | 38          | 93-7272            | 1           | Decal-Warning           |
| 12          | 99-5428            | 1           | Shroud-Radiator       | 39          | 105-9233           | 1           | Seal-Foam               |
| 13          | 2412-111           | 4           | Clamp                 | 40          | 105-9236           | 2           | Seal-Foam               |
| 14          | 100-5547           | 2           | Hose-Radiator         | 41          | 105-9814           | 1           | Seal-Bulb               |
| 15          | 104-8300           | 19          | Nut-Flange, NI        | 42          | 105-9858           | 1           | Seal-Bulb               |
| 16          | 100-5505-03        | 1           | Bracket-Tank          | 43          | 106-6755           | 1           | Decal-Cap, Radiator     |
| 17          | 99-2900            | 4           | Washer-Flat           | 44          | 2412-81            | 2           | Clamp-R                 |
| 18          | 3234-7             | 9           | Screw-HHF             | 45          | 3234-28            | 2           | Screw-HHF               |
| 19          | 104-2276           | 1           | Reservoir-Coolant     | 46          | 104-1156           | 2           | Spacer                  |
| 19:1        | 87-7050            | 1           | Cap-Reservoir         | 47          | 108-4019-03        | 1           | Bracket-Cooler, Oil     |
| 21          | 3234-11            | 4           | Screw-HHF             | 48          | 322-11             | 2           | Screw-HH                |



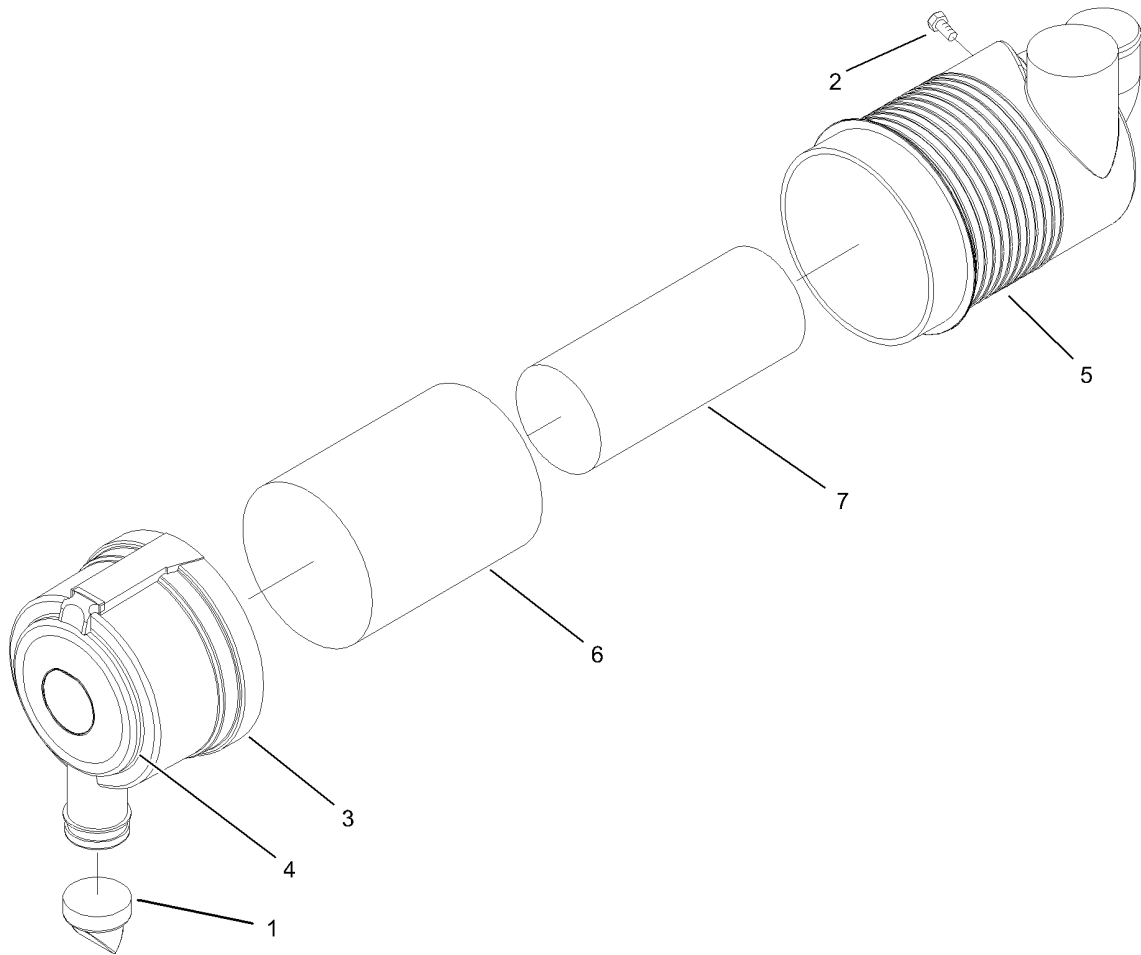
## Fan and Solenoid Assembly

| <i>Ref.</i> | <i>Part Number</i> | <i>Qty.</i> | <i>Description</i> |
|-------------|--------------------|-------------|--------------------|
| 1           | 322-2              | 8           | Screw-HH           |
| 2           | 3253-4             | 8           | Washer-Lock        |
| 3           | 105-0750           | 1           | Fan                |
| 4           | 52-6290            | 4           | Screw-HSH          |
| 5           | 100-3066           | 1           | Adapter-Fan        |
| 6           | 98-9346            | 1           | Sender-Temperature |
| 7           | 112-5294           | 1           | Clutch-Fan         |
| 8           | 2411-38            | 1           | Joint-Ball         |
| 9           | 3256-51            | 1           | Washer-Flat        |
| 10          | 3296-21            | 1           | Nut-Lock, NI       |
| 11          | 104-7540-03        | 1           | Support-Cable      |
| 12          | 98-3817            | 1           | Solenoid Kit       |
| 12:7        | 33113-025          | 3           | Screw-HH           |
| 12:8        | 33113-016          | 2           | Screw-HH           |
| 12:9        | 48-8020            | 5           | Washer-Spring      |
| 12:10       | 33013-00           | 2           | Nut-Hex            |
| 12:11       | 33093-00           | 3           | Washer-Flat        |
| 12:12       | 3272-2             | 1           | Pin-Cotter         |
| 13          | 33023-00           | 1           | Nut-Lock           |



## Engine Installation Assembly

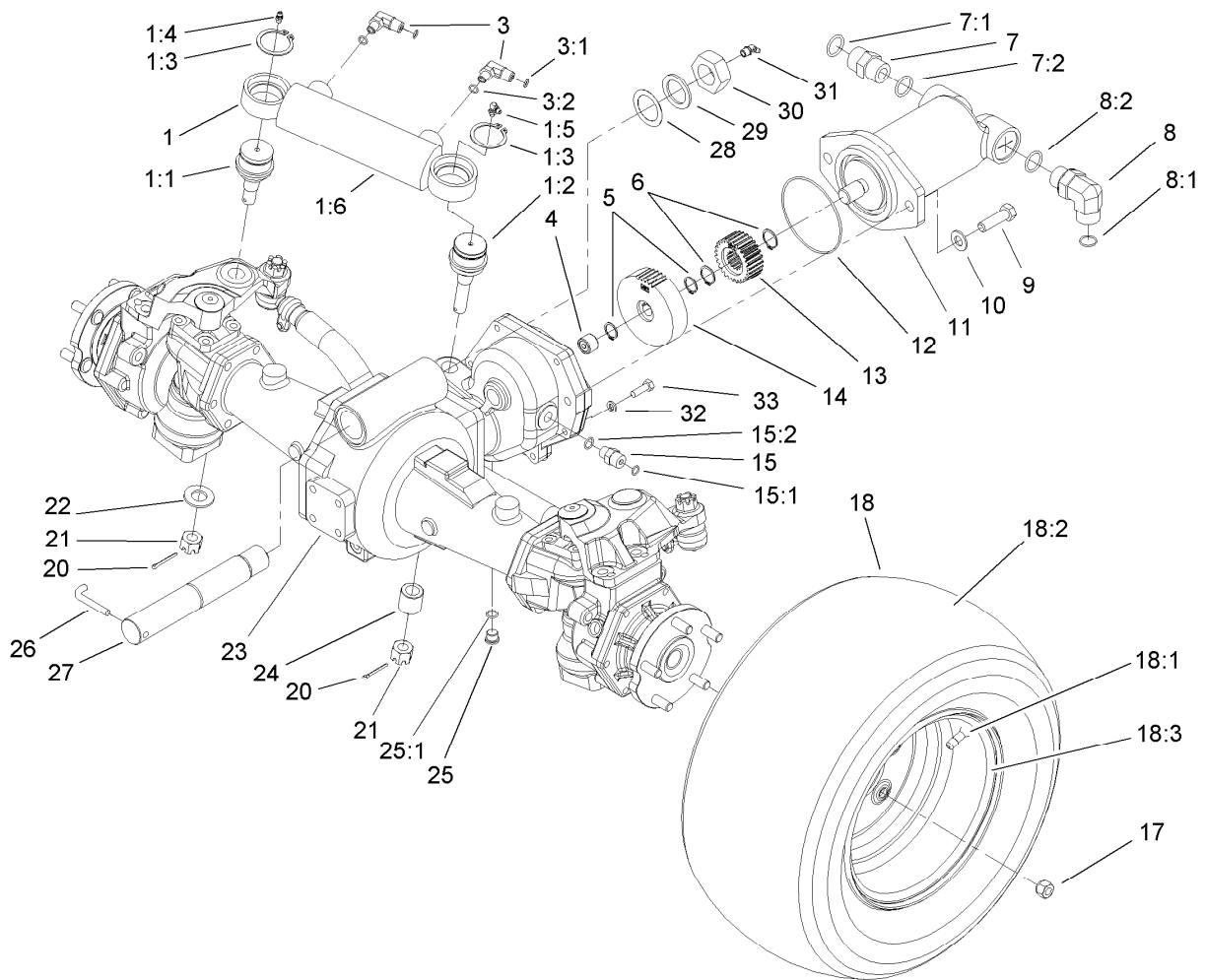
| <i>Ref.</i> | <i>Part Number</i> | <i>Qty.</i> | <i>Description</i>  | <i>Ref.</i> | <i>Part Number</i> | <i>Qty.</i> | <i>Description</i>         |
|-------------|--------------------|-------------|---------------------|-------------|--------------------|-------------|----------------------------|
| 1           | 99-5424            | 1           | Muffler-Turbo       | 25:3        | 33113-050          | 2           | Screw-HH                   |
| 2           | 33104-030          | 2           | Screw-HHF           | 25:4        | 33093-00           | 2           | Washer-Flat                |
| 3           | 33104-016          | 6           | Screw-HHF           | 25:5        | 33023-00           | 2           | Nut-Lock                   |
| 4           | 18-2130            | 1           | Clamp ASM           | 26          | 322-6              | 2           | Screw-HH                   |
| 5           | 104-5461           | 1           | Pipe-Exhaust        | 27          | 104-3563           | 1           | Indicator                  |
| 6           | 33004-00           | 4           | Nut-HF              | 27:1        | 94-1416            | 1           | Indicator Adapter ASM      |
| 7           | 3296-29            | 4           | Nut-Lock, NI        | 28          | 99-5410            | 1           | Cleaner-Air                |
| 8           | 3256-3             | 8           | Washer-Flat         | 29          | 2412-125           | 1           | Clamp-Hose                 |
| 9           | 322-9              | 2           | Screw-HH            | 30          | 2412-110           | 1           | Clamp-Hose                 |
| 10          | 95-5622            | 1           | Hanger-Rubber       | 31          | 106-2049-03        | 1           | Mount-Engine, LH           |
| 11          | 93-5023            | 2           | Spacer              | 32          | 112-9110-03        | 1           | Exhaust Mount ASM          |
| 12          | 106-2048-03        | 1           | Mount-Engine, RH    | 33          | 2412-92            | 1           | Clamp-Hose                 |
| 13          | 323-13             | 4           | Screw-HH            | 34          | 99-5415            | 1           | Hose-Cleaner, Air          |
| 14          | 100-3148-03        | 1           | Mount-Engine, RH    | 35          | 99-3441            | 1           | Harness-Wire, Fusible Link |
| 15          | 112-5293           | 1           | Engine-Turbo        | 36          | 105-9869           | 1           | Harness-Wire, Engine       |
| 16          | 3234-11            | 10          | Screw-HHF           | 37          | 2412-36            | 2           | Clamp-Hose                 |
| 17          | 53-9682            | 4           | Mount-Engine-Green  | 38          | 99-7376            | 1           | Hose-Breather              |
| 18          | 104-8301           | 14          | Nut-Flange, NI      | 39          | 354-94             | 1           | Fitting-Female, Barbed     |
| 19          | 63-7400            | 4           | Washer-Rebound      | 40          | 93-5528            | 1           | Fitting-Cock, Drain        |
| 20          | 100-3147-03        | 1           | Mount-Engine, LH    | 41          | 100-9333           | 1           | Gasket-Muffler             |
| 21          | 43-5950            | 4           | Washer-Lock, Spring | 42          | 2412-150           | 1           | Clip-J                     |
| 22          | 43-3210            | 4           | Screw-HH            | 44          | 32144-14           | 1           | Screw-HWHTF                |
| 23          | 48-8070            | 5           | Washer-Lock         | 45          | 43-0090            | 1           | Screw-HH                   |
| 24          | 42-9250            | 5           | Bolt                | 46          | 48-9590            | 1           | Washer-Lock                |
| 25          | 99-5414            | 1           | Strap-Cleaner, Air  | 47          | 3290-378           | 1           | Tie-Cable                  |
| 25:1        | 108-1512           | 2           | Spring              | 48          | 112-9113-03        | 1           | Mount-Exhaust              |
| 25:2        | 3256-22            | 2           | Washer-Flat         | 49          | 3290-379           | 2           | Tie-Cable                  |



## Air Cleaner Assembly No. 99-5410

| <i>Ref.</i> | <i>Part Number</i> | <i>Qty.</i> | <i>Description</i> |
|-------------|--------------------|-------------|--------------------|
| 1           | 104-4258           | 1           | Valve-Vacuator     |
| 2           |                    | 1           | Plug-Pipe ●        |
| 3           | 104-4259           | 1           | Cover ASM          |
| 4           |                    | 1           | Marking ●          |
| 5           |                    | 1           | Body ASM ●         |
| 6           | 108-3814           | 1           | Filter-Air         |
| 7           | 108-3816           | 1           | Filter-Air         |

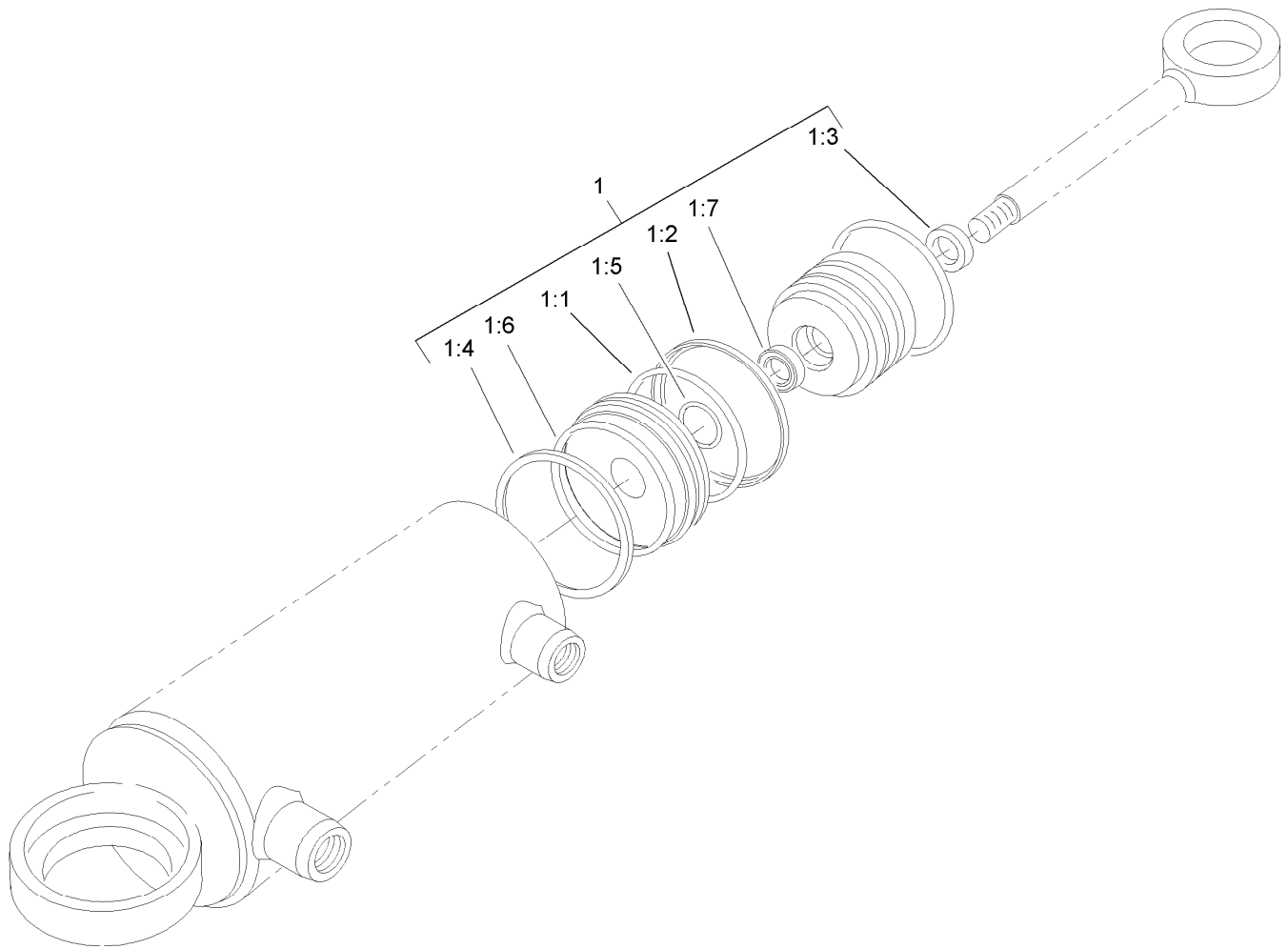
● Not serviced separately



## Rear Axle Assembly

| Ref. | Part Number | Qty. | Description              | Ref. | Part Number | Qty. | Description           |
|------|-------------|------|--------------------------|------|-------------|------|-----------------------|
| 1    | 105-9861    | 1    | Steering Cylinder ASM    | 14   | 104-5664    | 1    | Gear-44T              |
| 1:1  | 106-6774    | 1    | Joint-Ball               | 15   | 340-2       | 1    | Fitting-HYD, Straight |
| 1:2  | 100-3795    | 1    | Joint-Ball               | 15:1 | 237-22      | 1    | O-Ring                |
| 1:3  | 32151-104   | 2    | Ring-Retaining, External | 15:2 | 237-42      | 1    | O-Ring                |
| 1:4  | 302-5       | 1    | Fitting-Grease           | 17   | 93-5268     | 10   | Nut-Lug               |
| 1:5  | 302-60      | 1    | Fitting-Grease           | 18   |             | 2    | Tire And Wheel ASM ●  |
| 1:6  | 107-1976    | 1    | Cylinder-Steering, HYD   | 18:1 | 232-27      | 1    | Stem-Valve            |
| 3    | 340-97      | 2    | Fitting-HYD, 90 DEG      | 18:2 | 104-0451    | 1    | Tire-Turf, Trac       |
| 3:1  | 237-22      | 1    | O-Ring                   | 18:3 | 105-9219    | 1    | Wheel                 |
| 3:2  | 237-78      | 1    | O-Ring                   | 20   | 3272-11     | 2    | Pin-Cotter            |
| 4    | 74-5700     | 1    | Bearing-Needle, Roller   | 21   | 32136-14    | 2    | Nut-SHH               |
| 5    | 32120-15    | 2    | Ring-Snap, EXT           | 22   | 92-5836     | 1    | Washer                |
| 6    | 32120-76    | 2    | Ring-Snap, EXT           | 23   | 110-4750    | 1    | Drive Axle ASM        |
| 7    | 340-9       | 1    | Fitting-HYD, Straight    | 24   | 100-3796    | 1    | Spacer-Joint, Ball    |
| 7:1  | 237-58      | 1    | O-Ring                   | 25   | 353-989     | 1    | Plug-Hex, Hollow      |
| 7:2  | 237-81      | 1    | O-Ring                   | 25:1 | 237-42      | 1    | O-Ring                |
| 8    | 340-142     | 1    | Fitting-HYD, 90 DEG      | 26   | 100-3771    | 1    | Pin-Stop              |
| 8:1  | 237-58      | 1    | O-Ring                   | 27   | 100-3770    | 1    | Pin-Axle, Pivot       |
| 8:2  | 237-81      | 1    | O-Ring                   | 28   | 92-1765     | 1    | Washer-Thrust         |
| 9    | 325-7       | 2    | Screw-HH                 | 29   | 98-3867     | 2    | Washer-Thrust         |
| 10   | 3256-26     | 2    | Washer-Flat              | 30   | 3296-68     | 1    | Nut-Lock, NI          |
| 11   | 105-1219    | 1    | HYD Motor ASM            | 31   | 302-33      | 1    | Fitting-Grease        |
| 12   | 237-166     | 1    | O-Ring                   | 32   | 3253-4      | 6    | Washer-Lock           |
| 13   | 104-5663    | 1    | Pinion-28T               | 33   | 33114-025   | 6    | Screw-HH              |

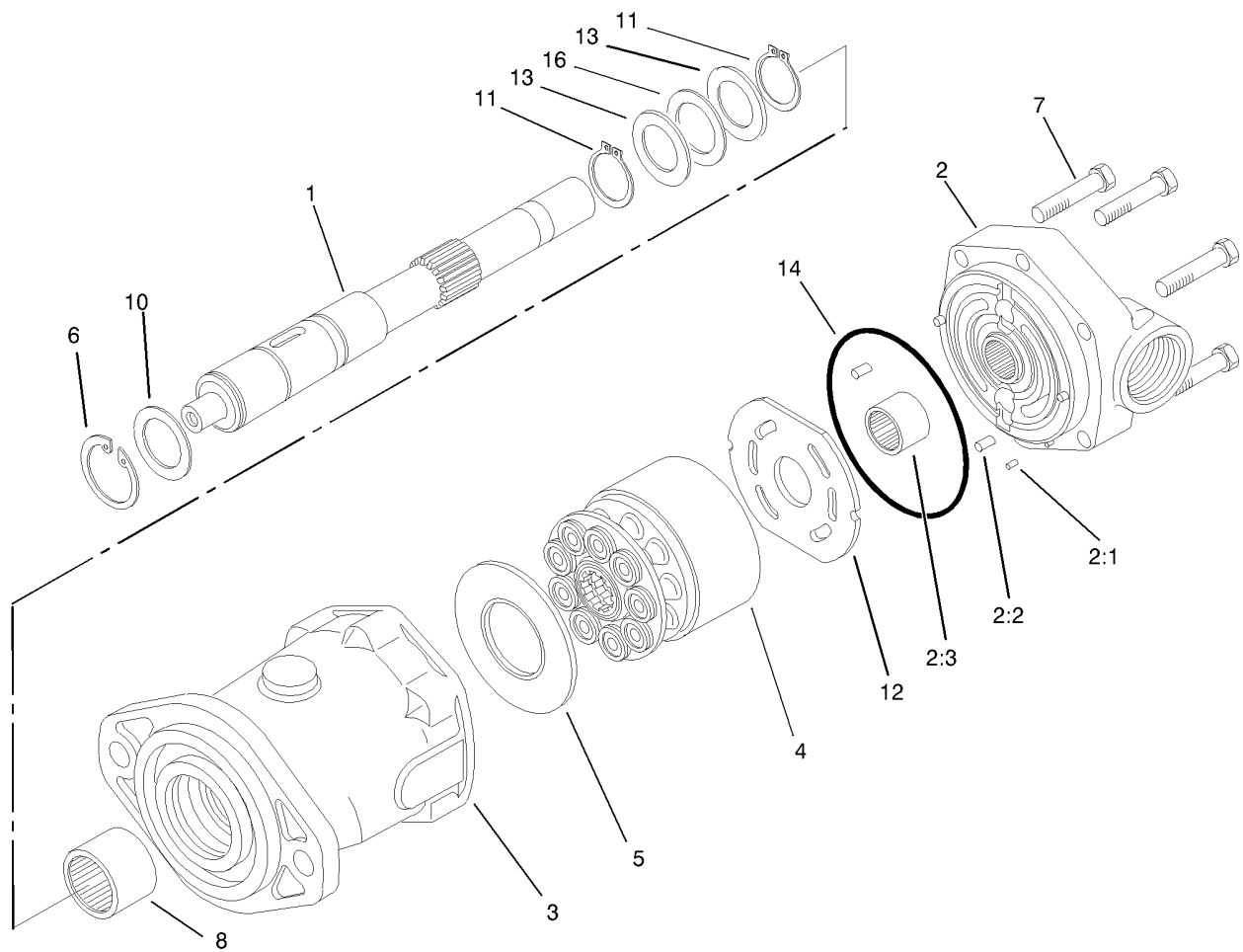
● Not serviced separately



## Hydraulic Cylinder Assembly No. 105-9861

| <i>Ref.</i> | <i>Part Number</i> | <i>Qty.</i> | <i>Description</i> |
|-------------|--------------------|-------------|--------------------|
| 1           | 107-0245           | 1           | Seal Kit           |
| 1:1         |                    | 1           | O-Ring ●           |
| 1:2         |                    | 1           | Back-Up ●          |
| 1:3         |                    | 1           | Wiper ●            |
| 1:4         |                    | 1           | Seal ●             |
| 1:5         |                    | 1           | O-Ring ●           |
| 1:6         |                    | 1           | O-Ring ●           |
| 1:7         |                    | 1           | Seal ●             |

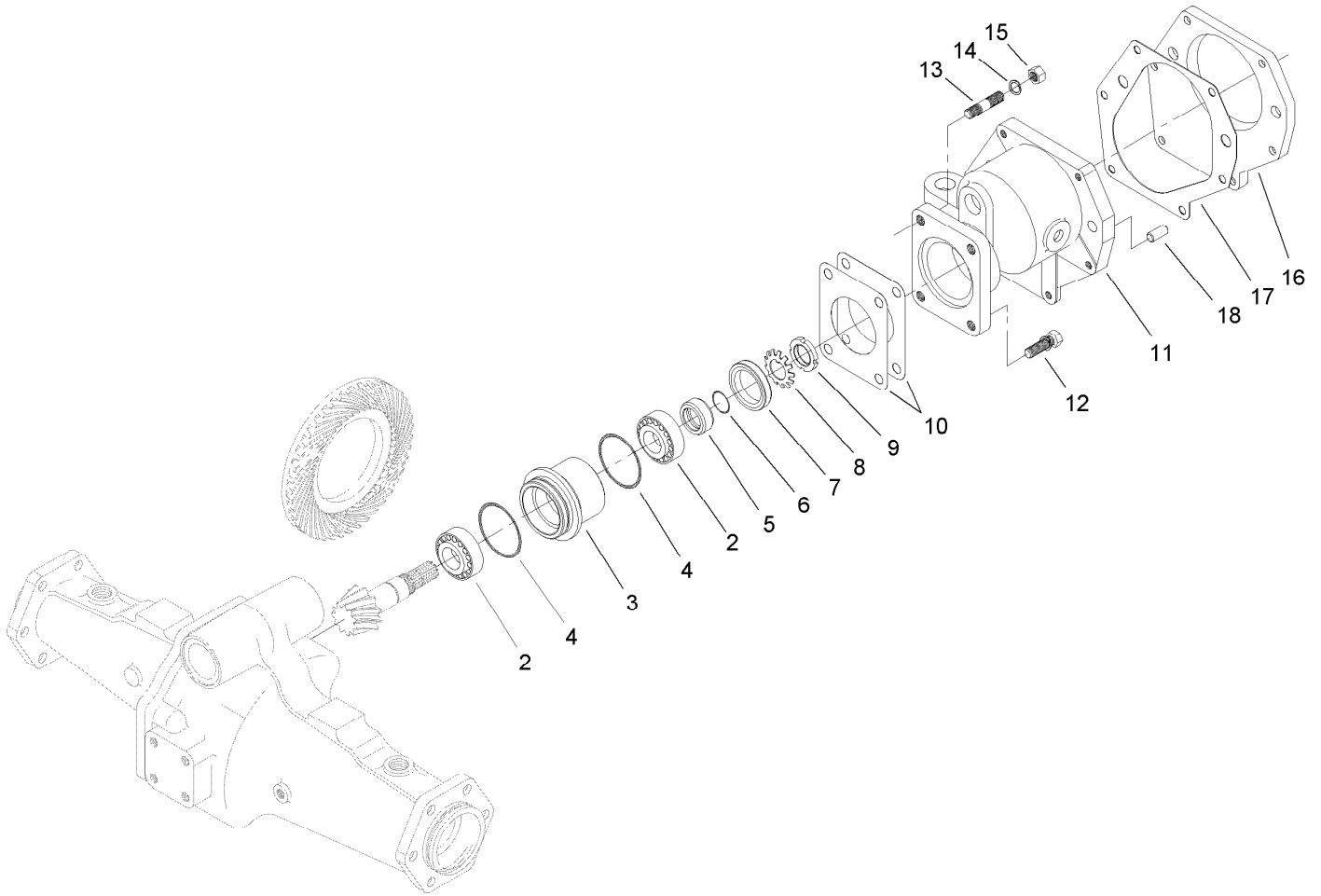
● Not serviced separately



## Piston Motor Assembly No. 105-1219

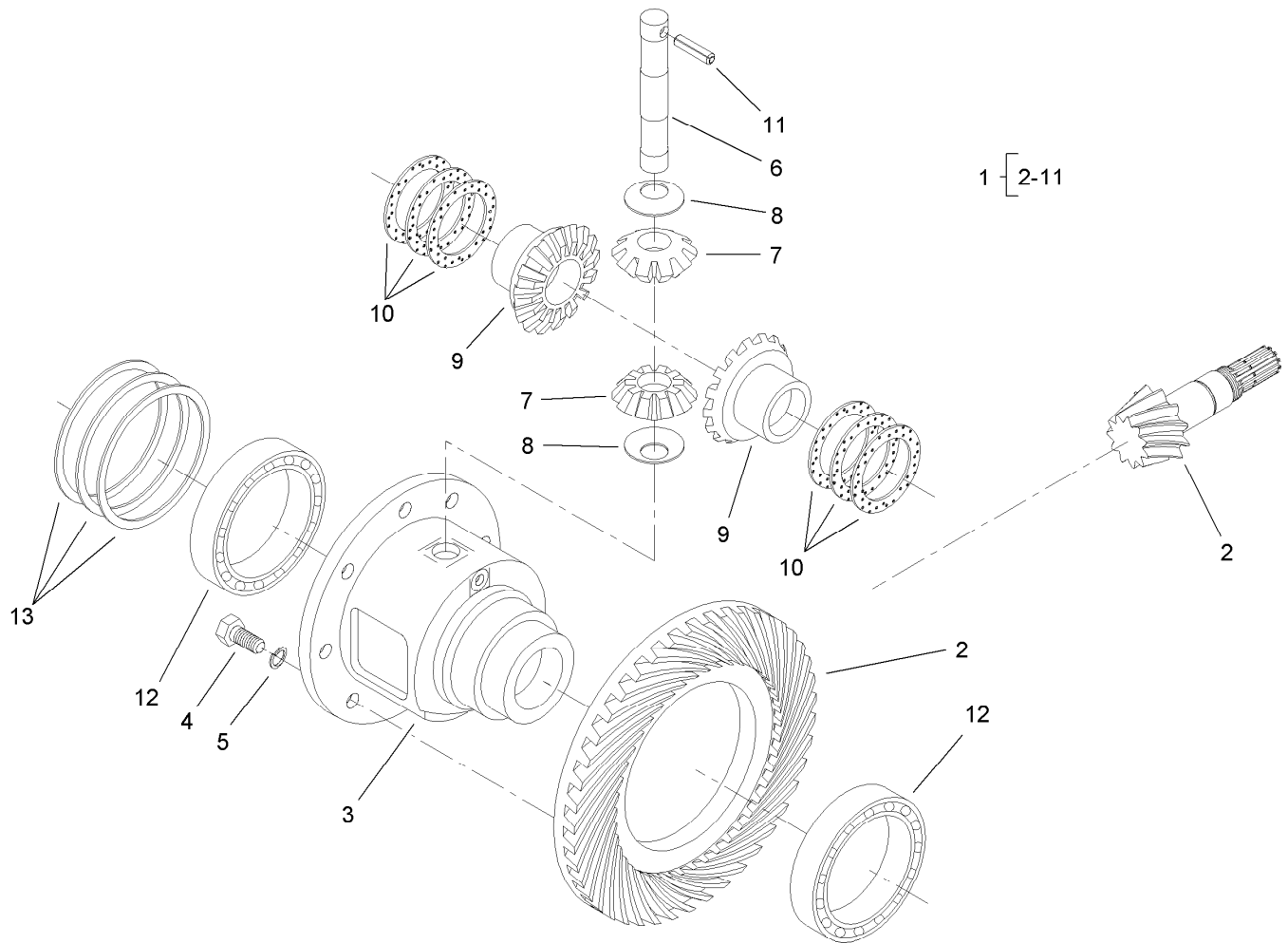
| Ref. | Part Number | Qty. | Description       |
|------|-------------|------|-------------------|
| 1    | 105-2853    | 1    | Shaft-Drive       |
| 2    | 100-2551    | 1    | Backplate         |
| 2:1  |             | 3    | Pin-Dowel ●       |
| 2:2  |             | 1    | Pin-Dowel ●       |
| 2:3  |             | 1    | Bearing-Needle ●  |
| 3    |             | 1    | Housing ●         |
| 4    | 76-6910     | 1    | Rotating Kit      |
| 5    | 76-6970     | 1    | Insert-Plate, Cam |
| 6    | 60-6260     | 1    | Ring              |
| 7    | 94-3002     | 6    | Capscrew          |
| 8    | 63-4390     | 1    | Bearing-Needle    |
| 10   | 76-7020     | 1    | Spacer            |
| 11   | 76-7000     | 2    | Ring-Retaining    |
| 12   | 94-3003     | 1    | Plate-Valve       |
| 13   | 76-6950     | 2    | Race-Thrust       |
| 14   | 76-6980     | 1    | O-Ring            |
| 16   | 76-6960     | 1    | Bearing-Thrust    |

● Not serviced separately



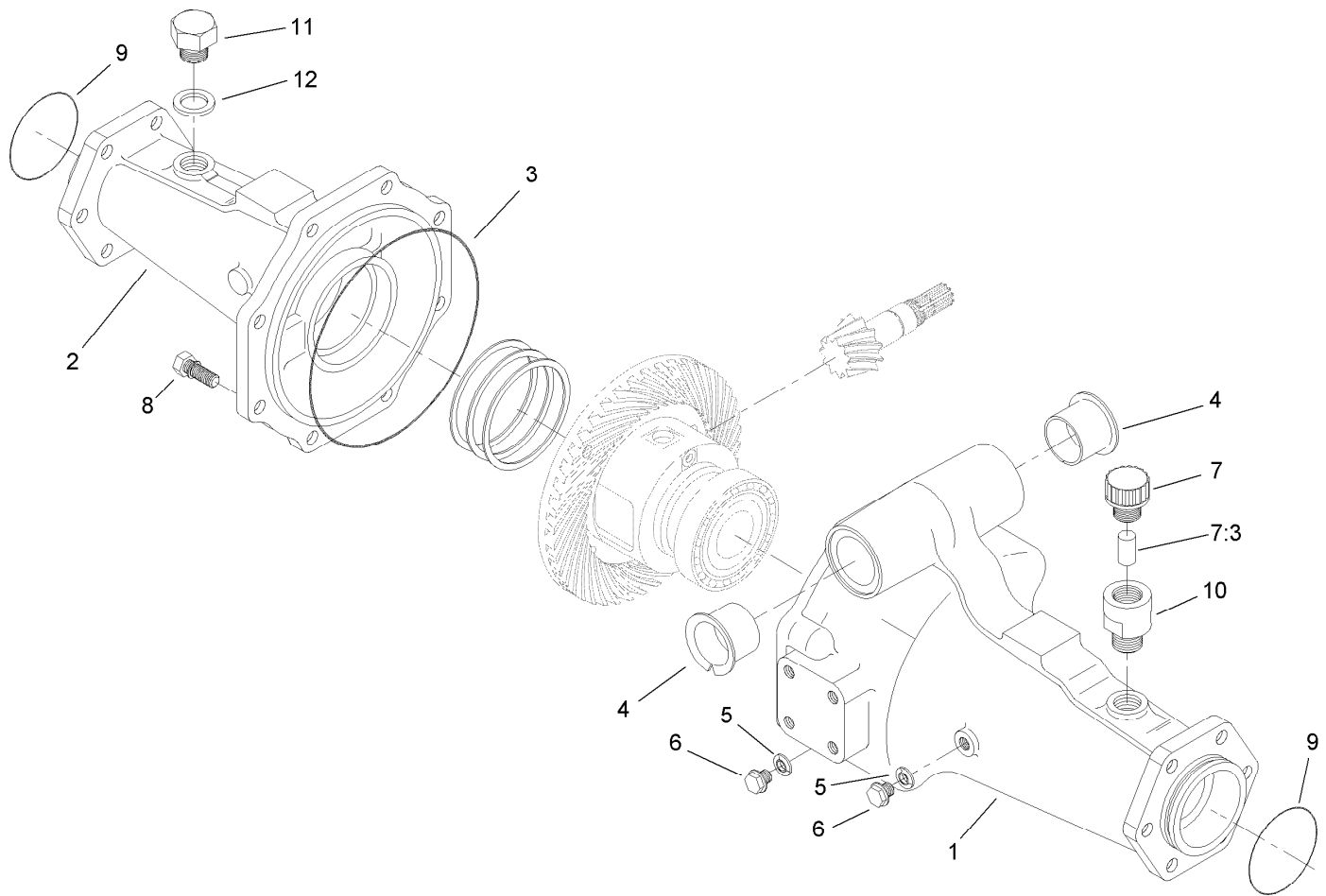
## Bevel Pinion Shaft Assembly Rear Axle Assembly No. 110-4750

| <i>Ref.</i> | <i>Part Number</i> | <i>Qty.</i> | <i>Description</i>    |
|-------------|--------------------|-------------|-----------------------|
| 2           | 99-7570            | 2           | Bearing-Roller, Taper |
| 3           | 95-7534            | 1           | Case-Bearing          |
| 4           | 106-1065           | 2           | O-Ring                |
| 5           | 99-7572            | 1           | Collar-Seal, Oil      |
| 6           | 106-1066           | 1           | O-Ring                |
| 7           | 99-7574            | 1           | Seal-Oil              |
| 8           | 99-7559            | 1           | Washer-Lock           |
| 9           | 99-7560            | 1           | Nut-Lock              |
| 10          | 99-7550            | 2           | Shim 0.1              |
| 10          | 99-7551            | 2           | Shim 0.2              |
| 11          | 95-7533            | 1           | Case-Gear             |
| 12          | 99-7575            | 2           | Bolt                  |
| 13          | 98-7735            | 2           | Stud                  |
| 14          | 99-7527            | 2           | Washer-Spring         |
| 15          | 99-7526            | 2           | Nut                   |
| 16          | 95-7541            | 1           | Plate-Cover           |
| 17          | 106-1140           | 1           | Gasket                |
| 18          | 104-2353           | 2           | Pin-Dowel             |



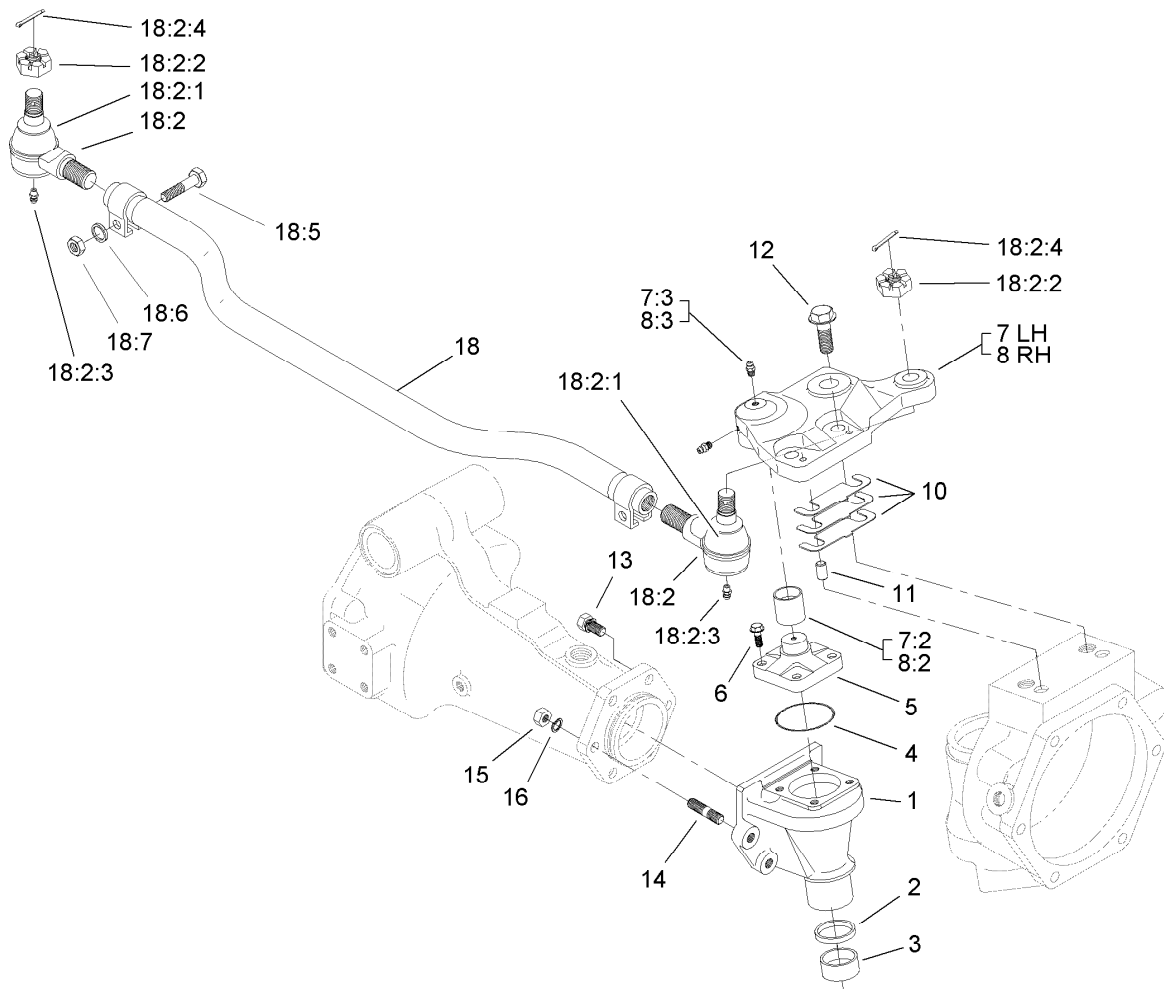
## Differential Assembly Rear Axle Assembly No. 110-4750

| Ref. | Part Number | Qty. | Description                 |
|------|-------------|------|-----------------------------|
| 1    | 95-7503     | 1    | Differential ASM            |
| 2    | 100-2555    | 1    | Ring And Pinion Matched Set |
| 3    | 95-7502     | 1    | Case-Differential           |
| 4    | 99-7576     | 8    | Bolt                        |
| 5    | 3253-4      | 8    | Washer-Lock                 |
| 6    | 99-7578     | 1    | Shaft-Differential          |
| 7    | 99-7579     | 2    | Pinion-Differential         |
| 8    | 99-7580     | 2    | Washer-Differential         |
| 9    | 99-7581     | 2    | Gear-Differential           |
| 10   | 99-7582     | 2    | Washer-Differential         |
| 10   | 99-7583     | 2    | Washer-Differential         |
| 10   | 99-7584     | 2    | Washer-Differential         |
| 11   | 99-7588     | 1    | Pin-Spring                  |
| 12   | 99-7562     | 2    | Bearing-Ball                |
| 13   | 99-7585     | 2    | Shim 0.1                    |
| 13   | 99-7586     | 2    | Shim 0.2                    |
| 13   | 99-7587     | 2    | Shim 0.4                    |



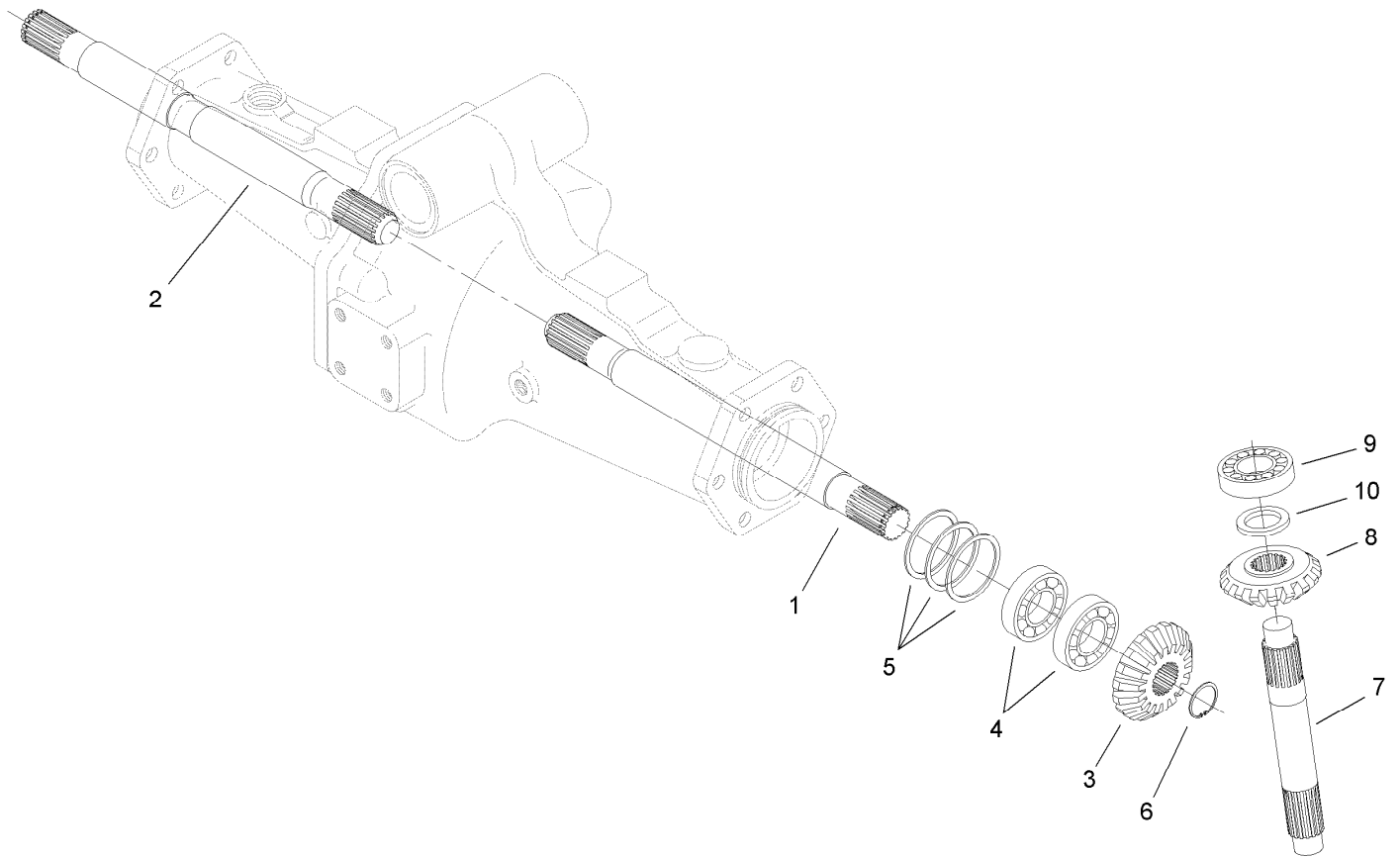
## Axle Support Assembly Rear Axle Assembly No. 110-4750

| <i>Ref.</i> | <i>Part Number</i> | <i>Qty.</i> | <i>Description</i>  |
|-------------|--------------------|-------------|---------------------|
| 1           | 95-7508            | 1           | Support-Axle        |
| 2           | 95-7506            | 1           | Support-Axle        |
| 3           | 106-1067           | 1           | O-Ring              |
| 4           | 95-7537            | 2           | Bushing-Flanged     |
| 5           | 99-7590            | 2           | Washer-Seal         |
| 6           | 99-7589            | 2           | Plug                |
| 7           | 110-4812           | 1           | Axle Vent ASM       |
| 7:3         | 110-4815           | 1           | Insert-Filter, Foam |
| 8           | 99-7592            | 8           | Bolt                |
| 9           | 106-1068           | 2           | O-Ring              |
| 10          | 104-2377           | 1           | Extension-Vent      |
| 11          | 104-8643           | 1           | Plug                |
| 12          | 104-8644           | 1           | O-Ring              |



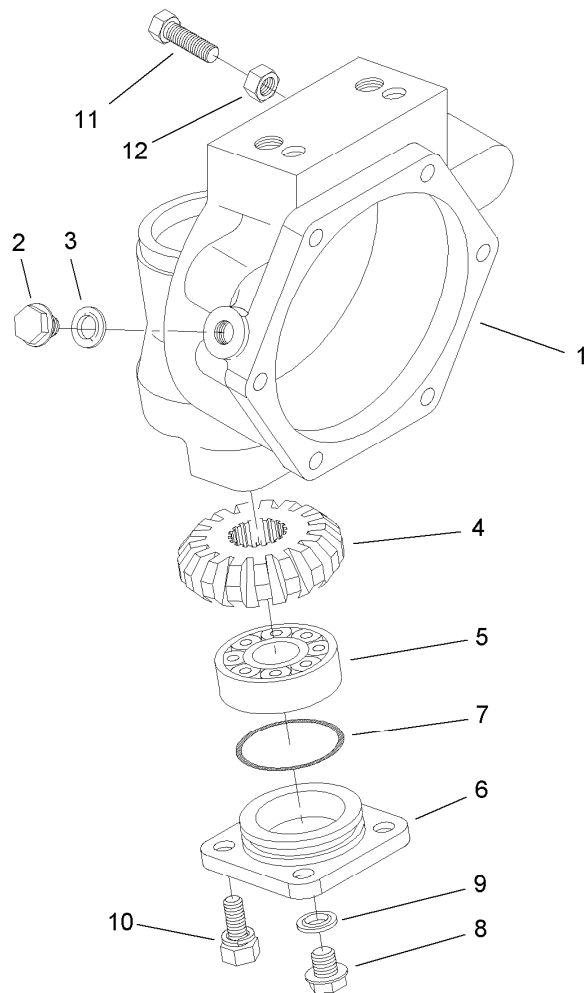
## Bevel Gear Case Assembly Rear Axle Assembly No. 110-4750

| <i>Ref.</i> | <i>Part Number</i> | <i>Qty.</i> | <i>Description</i>  | <i>Ref.</i> | <i>Part Number</i> | <i>Qty.</i> | <i>Description</i>   |
|-------------|--------------------|-------------|---------------------|-------------|--------------------|-------------|----------------------|
| 1           | 110-4752           | 2           | Case-Gear, Bevel    | 12          | 104-2375           | 4           | Bolt                 |
| 2           | 110-4754           | 2           | Seal-Oil            | 13          | 99-7599            | 8           | Bolt                 |
| 3           | 104-2378           | 2           | Bushing             | 14          | 99-7525            | 4           | Stud                 |
| 4           | 106-1069           | 2           | O-Ring              | 15          | 99-7526            | 4           | Nut                  |
| 5           | 104-2373           | 2           | Knuckle             | 16          | 99-7527            | 4           | Washer-Spring        |
| 6           | 104-2374           | 8           | Bolt                | 18          | 106-1141           | 1           | Steering Tie Rod ASM |
| 7           | 100-3768           | 1           | LH Steering Arm ASM | 18:2        | 106-1113           | 2           | Tie Rod End ASM - RH |
| 7:2         | 104-8634           | 1           | Bushing             |             |                    |             | Thread               |
| 7:3         | 106-1104           | 2           | Fitting-Grease      | 18:2:1      | 100-3853           | 1           | Cover-Dust           |
| 8           | 100-3766           | 1           | RH Steering Arm ASM | 18:2:2      | 100-3854           | 1           | Nut-Castle           |
| 8:2         | 104-8634           | 1           | Bushing             | 18:2:3      | 110-4755           | 1           | Fitting-Grease       |
| 8:3         | 106-1104           | 2           | Fitting-Grease      | 18:2:4      | 3272-11            | 1           | Pin-Cotter           |
| 10          | 95-7547            | 2           | Shim 0.1            | 18:5        | 100-3855           | 2           | Bolt                 |
| 10          | 95-7548            | 2           | Shim 0.2            | 18:6        | 99-7527            | 2           | Washer-Spring        |
| 10          | 95-7549            | 2           | Shim 0.3            | 18:7        | 99-7526            | 2           | Nut                  |
| 11          | 99-7597            | 4           | Pin-Dowel           |             |                    |             |                      |



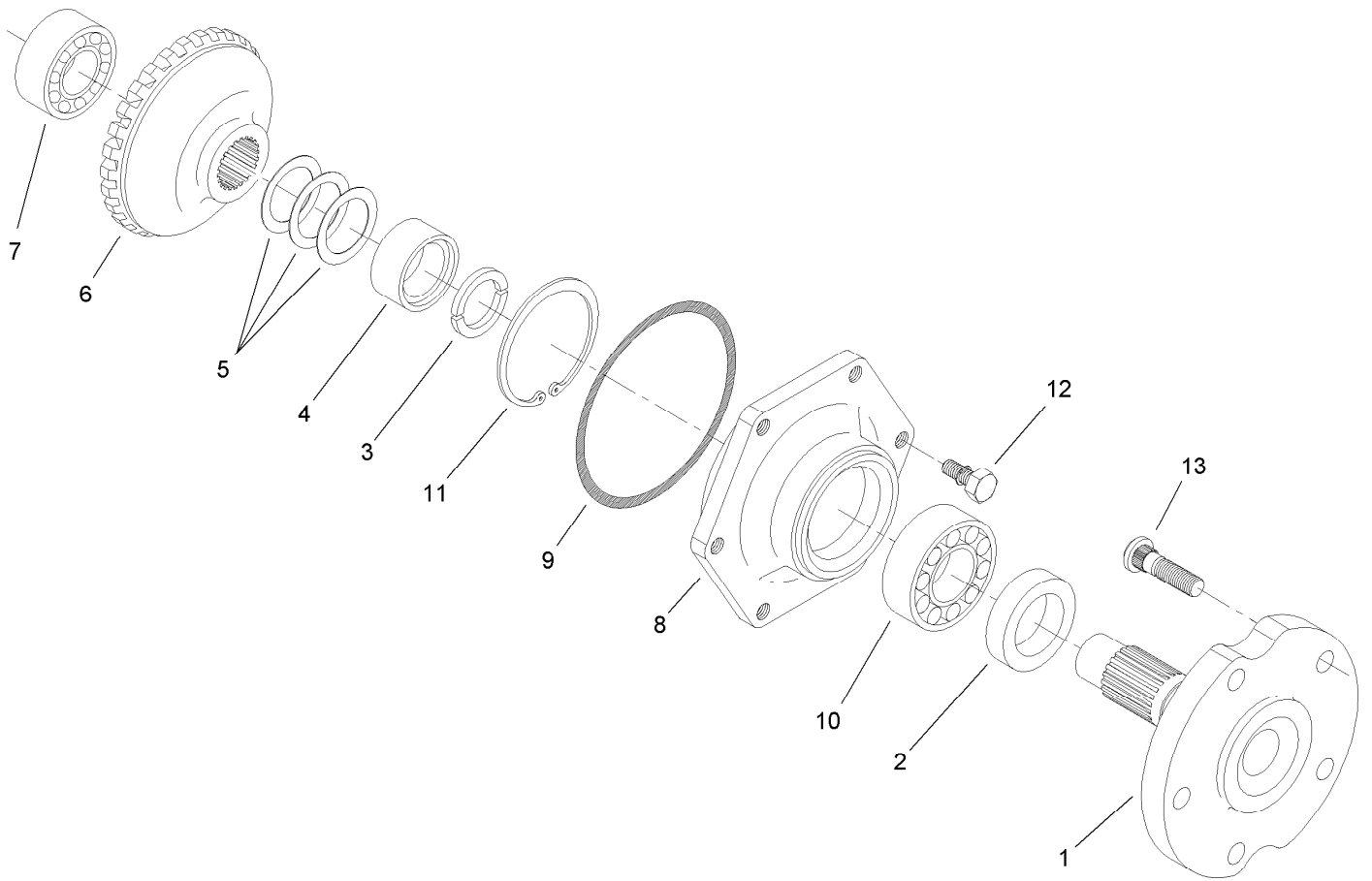
## Bevel Gear Shaft Assembly Rear Axle Assembly No. 110-4750

| <i>Ref.</i> | <i>Part Number</i> | <i>Qty.</i> | <i>Description</i>       |
|-------------|--------------------|-------------|--------------------------|
| 1           | 95-7509            | 1           | Shaft-Gear, Differential |
| 2           | 95-7512            | 1           | Shaft-Gear, Differential |
| 3           | 95-7517            | 2           | Gear-Bevel, 15 Tooth     |
| 4           | 99-7530            | 4           | Bearing-Ball             |
| 5           | 99-7552            | 2           | Shim 0.1                 |
| 5           | 99-7553            | 2           | Shim 0.2                 |
| 5           | 99-7554            | 2           | Shim 0.5                 |
| 6           | 99-7531            | 2           | Clip                     |
| 7           | 110-4753           | 2           | Shaft-Gear, Bevel        |
| 8           | 95-7519            | 2           | Gear-Bevel, 17 Tooth     |
| 9           | 99-7532            | 2           | Bearing-Roller, Taper    |
| 10          | 99-7558            | 2           | Collar                   |



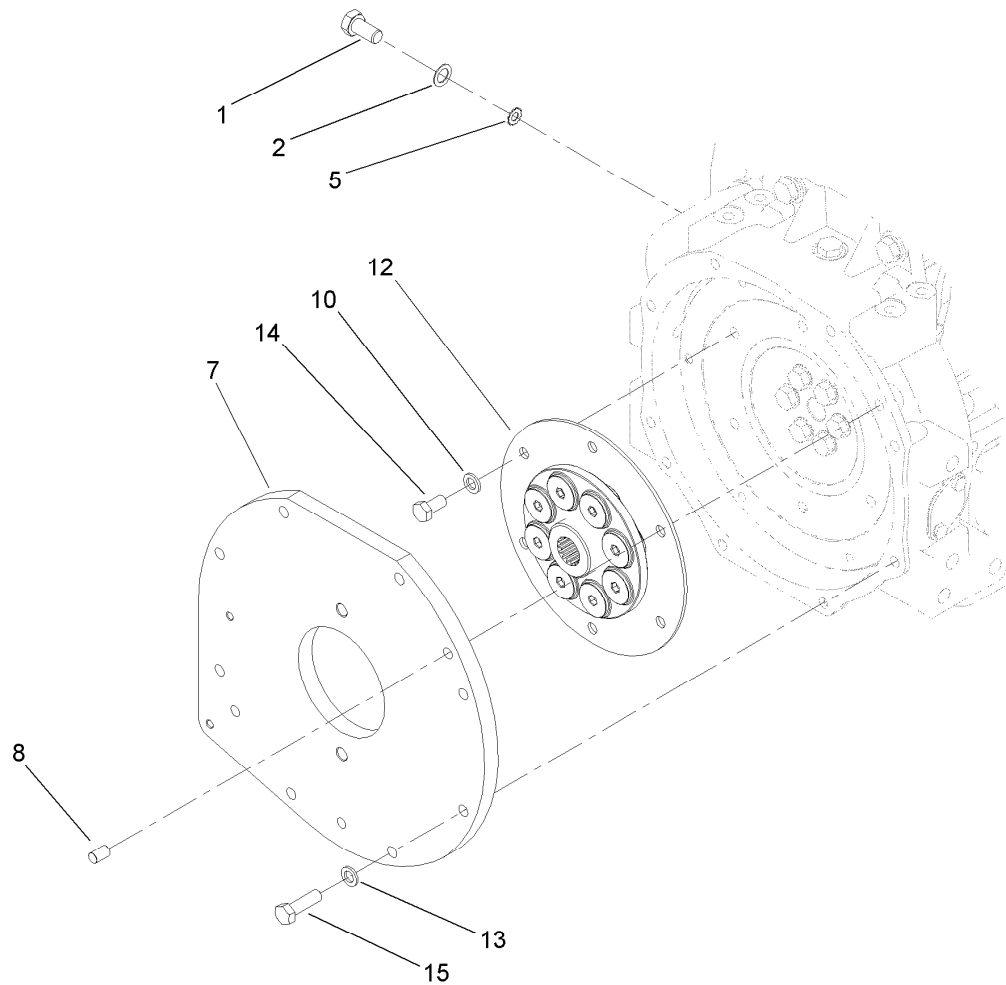
## Axle Case Assembly Rear Axle Assembly No. 110-4750

| <i>Ref.</i> | <i>Part Number</i> | <i>Qty.</i> | <i>Description</i>    |
|-------------|--------------------|-------------|-----------------------|
| 1           | 110-4751           | 2           | Case-Axle             |
| 2           | 99-7535            | 2           | Plug                  |
| 3           | 99-7536            | 2           | Washer-Seal           |
| 4           | 95-7527            | 2           | Gear-Bevel, 17 Tooth  |
| 5           | 99-7532            | 2           | Bearing-Roller, Taper |
| 6           | 100-2560           | 2           | Cover                 |
| 7           | 106-1070           | 2           | O-Ring                |
| 8           | 99-7589            | 2           | Plug                  |
| 9           | 99-7590            | 2           | Washer-Seal           |
| 10          | 100-2562           | 8           | Bolt                  |
| 11          | 106-1102           | 2           | Bolt-Stop             |
| 12          | 106-1103           | 2           | Nut                   |



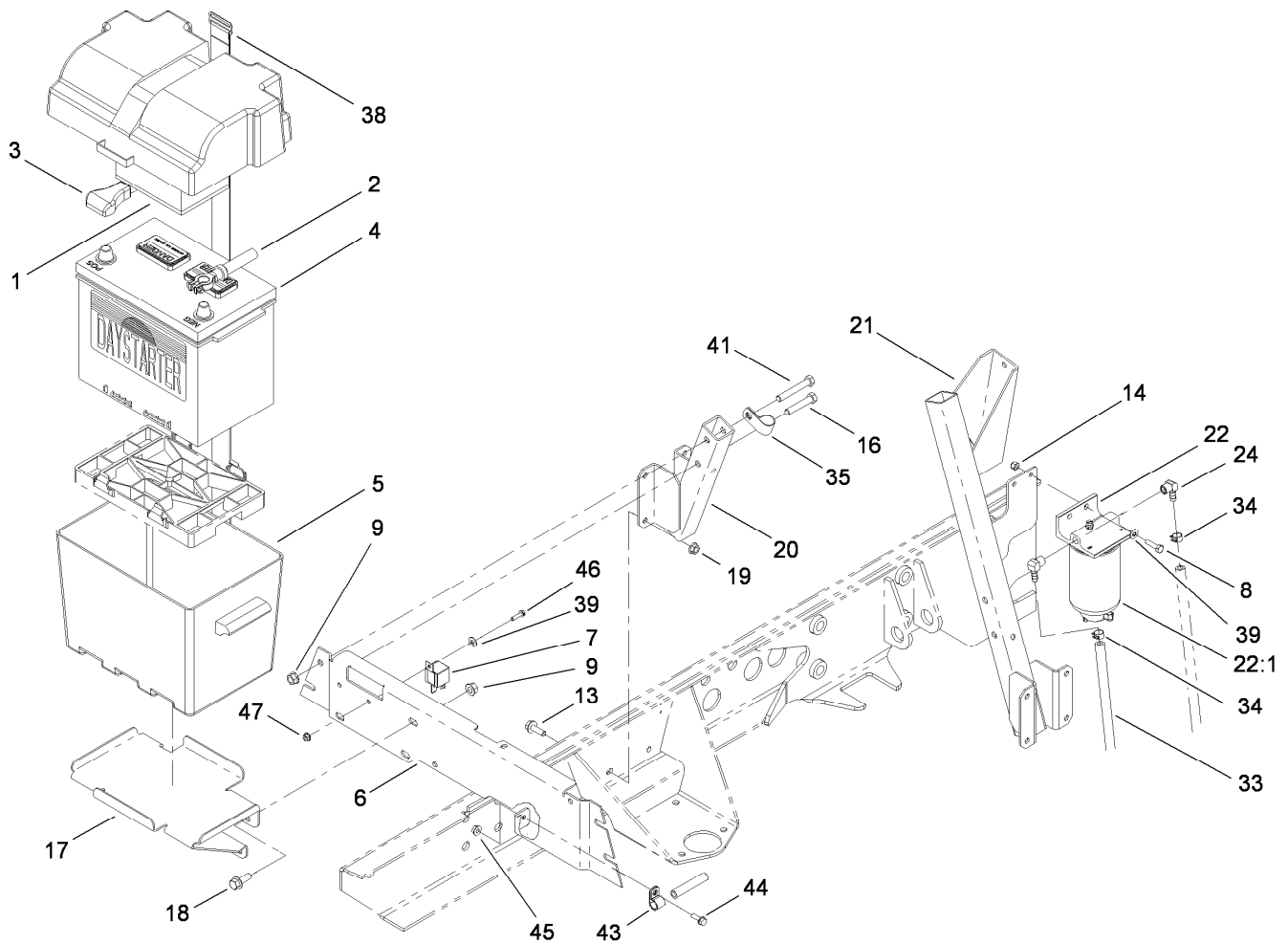
## Axle Assembly Rear Axle Assembly No. 110-4750

| <i>Ref.</i> | <i>Part Number</i> | <i>Qty.</i> | <i>Description</i>   |
|-------------|--------------------|-------------|----------------------|
| 1           | 95-7522            | 2           | Axle                 |
| 2           | 99-7564            | 2           | Seal-Oil             |
| 3           | 95-7544            | 4           | Clip                 |
| 4           | 95-7523            | 2           | Spacer               |
| 5           | 99-7555            | 2           | Shim 0.3             |
| 5           | 99-7556            | 2           | Shim 0.2             |
| 5           | 99-7557            | 2           | Shim 0.5             |
| 6           | 95-7524            | 2           | Gear-Bevel, 29 Tooth |
| 7           | 99-7534            | 2           | Bearing-Ball         |
| 8           | 95-7521            | 2           | Cover-Axle           |
| 9           | 106-1071           | 2           | O-Ring               |
| 10          | 99-7561            | 2           | Bearing-Ball         |
| 11          | 99-7539            | 2           | Clip                 |
| 12          | 99-7596            | 12          | Bolt                 |
| 13          | 99-7563            | 10          | Stud                 |



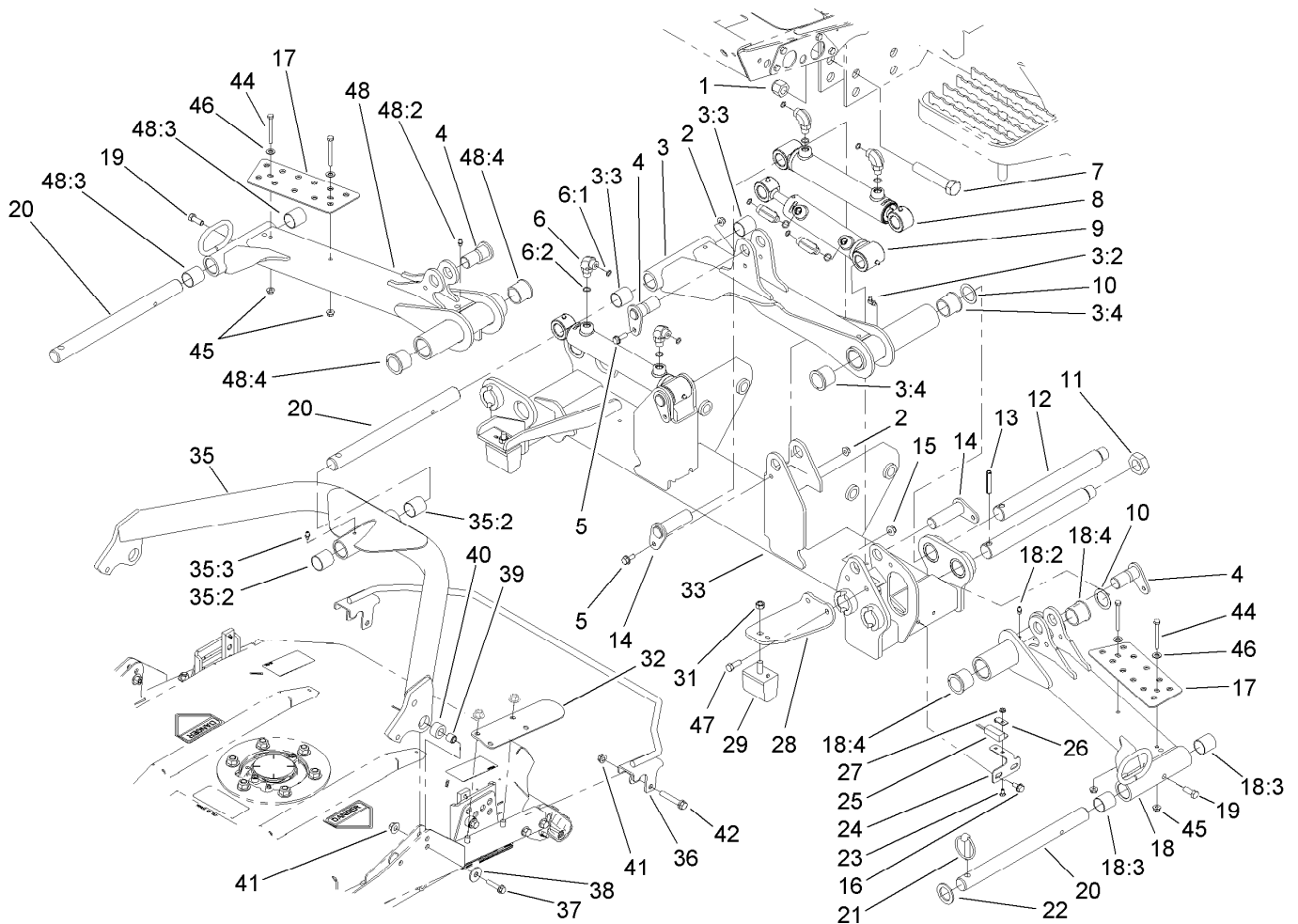
## Coupler and Adapter Plate Assembly

| <i>Ref.</i> | <i>Part Number</i> | <i>Qty.</i> | <i>Description</i> |
|-------------|--------------------|-------------|--------------------|
| 1           | 42-9250            | 1           | Bolt               |
| 2           | 3255-2             | 1           | Washer-Lock / EXT  |
| 5           | 3255-9             | 1           | Washer-Lock        |
| 7           | 108-1544-03        | 1           | Plate-Adapter      |
| 8           | 98-1212            | 2           | Pin-Plate, Pump    |
| 10          | 107-1413           | 6           | Washer-Hardened    |
| 12          | 110-6179           | 1           | Coupler-Flywheel   |
| 13          | 48-9590            | 8           | Washer-Lock        |
| 14          | 63-7790            | 6           | Screw-Cap          |
| 15          | 56-2140            | 8           | Screw-HH           |



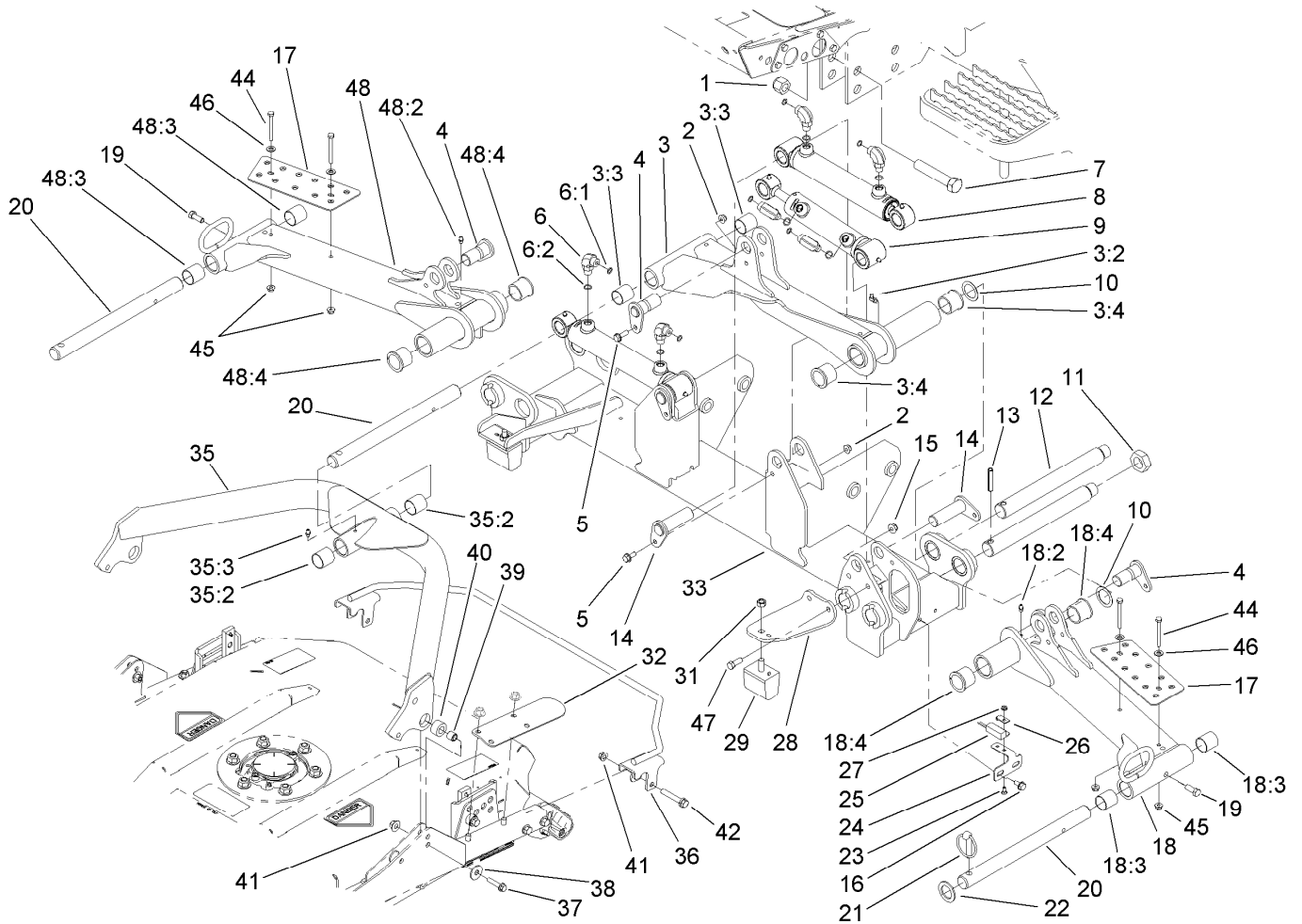
## Battery Installation Assembly

| <i>Ref.</i> | <i>Part Number</i> | <i>Qty.</i> | <i>Description</i>       | <i>Ref.</i> | <i>Part Number</i> | <i>Qty.</i> | <i>Description</i>       |
|-------------|--------------------|-------------|--------------------------|-------------|--------------------|-------------|--------------------------|
| 1           | 93-7968            | 1           | Pad-Foam                 | 21          | 104-5417-03        | 1           | Bracket-Conditioner, Air |
| 2           | 105-3880           | 1           | Cable-Battery, Negative  | 22          | 110-9044           | 1           | Filter-Seperator         |
| 3           | 105-0114           | 1           | Cable-Battery, Positive  | 22:1        | 110-9049           | 1           | Filter-Spin On           |
| 4           | 106-5190           | 1           | Battery                  | 24          | 353-781            | 2           | Fitting-Elbow            |
| 5           | 93-7595            | 1           | Battery Box ASM          | 33          | 110-4113           | 1           | Hose-Fuel                |
| 6           | 104-5422-03        | 1           | Bracket-Support, Battery | 34          | 92-2379            | 3           | Clamp-Hose               |
| 7           | 99-7435            | 1           | Relay-Power              | 35          | 2412-81            | 2           | Clamp-R                  |
| 8           | 321-6              | 2           | Screw-HH                 | 38          | 3339-175           | 1           | Strapping-Web, 48 Inch   |
| 9           | 32128-21           | 6           | Nut-HF                   | 39          | 3256-22            | 4           | Washer-Flat              |
| 13          | 3234-29            | 8           | Screw-HHF                | 41          | 323-12             | 1           | Screw-HH                 |
| 14          | 3296-42            | 2           | Nut-Lock, NI             | 43          | 2412-93            | 1           | Clamp-R                  |
| 16          | 323-10             | 3           | Screw-HH                 | 44          | 3234-4             | 1           | Screw-HHF                |
| 17          | 104-5423-03        | 1           | Tray-Battery             | 45          | 32128-33           | 1           | Nut-HF                   |
| 18          | 3234-11            | 2           | Screw-HHF                | 46          | 32105-13           | 1           | Screw-HWH                |
| 19          | 32128-20           | 8           | Nut-HF                   | 47          | 32128-17           | 1           | Nut-Lock, Flange         |
| 20          | 104-5420-03        | 1           | Support-Battery          |             |                    |             |                          |



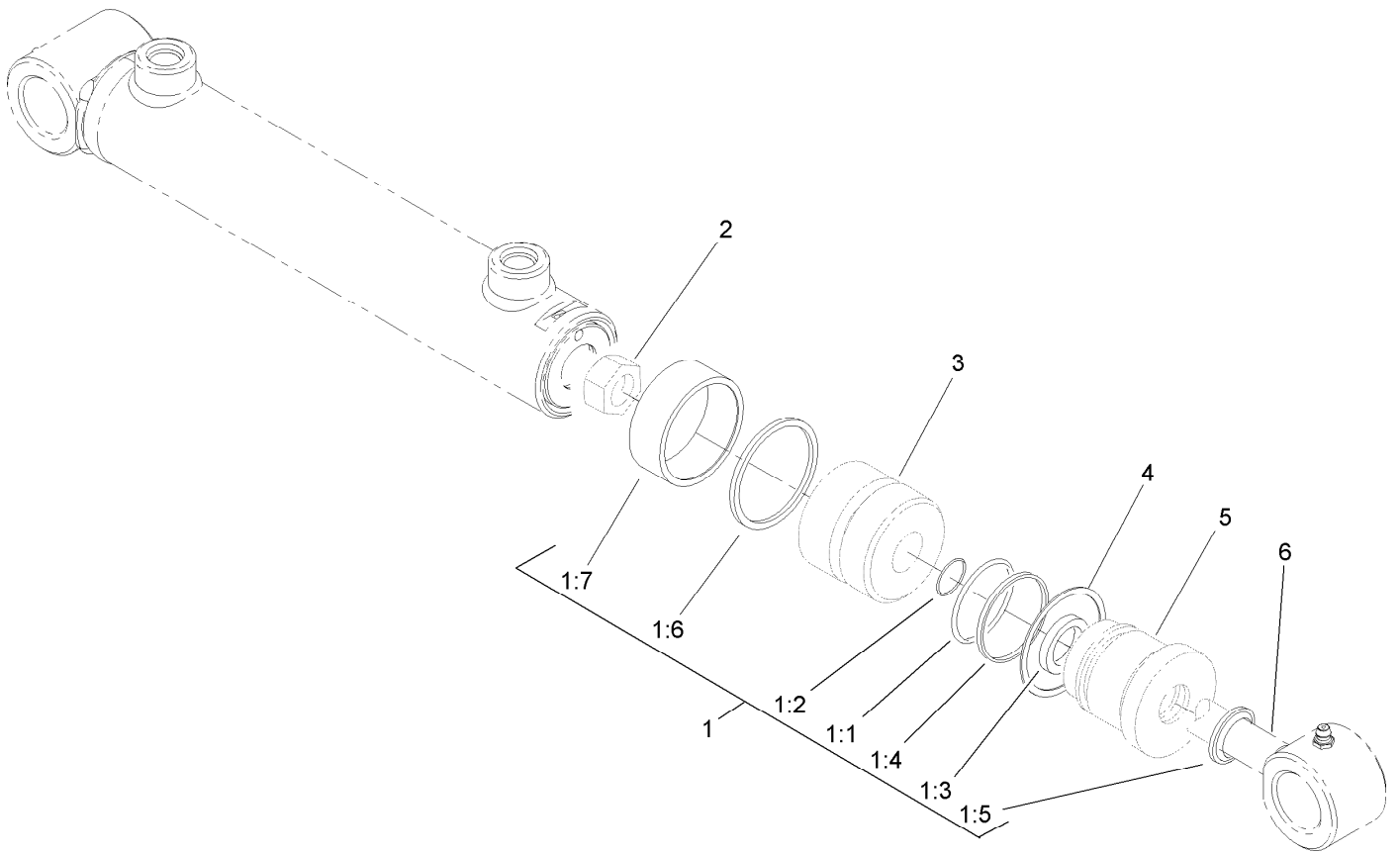
## Front Lift Arm Assembly

| Ref. | Part Number | Qty. | Description         | Ref. | Part Number | Qty. | Description               |
|------|-------------|------|---------------------|------|-------------|------|---------------------------|
| 1    | 3296-51     | 4    | Nut-Lock, NI        | 20   | 108-4023    | 3    | Shaft-Carrier, Pivot      |
| 2    | 104-8300    | 6    | Nut-Flange, NI      | 21   | 283-71      | 3    | Pin-Lynch                 |
| 3    | 108-4032    | 1    | No. 1 Liftarm ASM   | 22   | 3-6781      | 3    | Washer-Thrust             |
| 3:2  | 302-60      | 1    | Fitting-Grease      | 23   | 104-1450    | 2    | Bolt-CARR                 |
| 3:3  | 108-4000    | 2    | Bushing             | 24   | 104-5585    | 2    | Bracket-Switch            |
| 3:4  | 104-0015    | 2    | Bushing-Flange      | 25   | 106-9288    | 2    | Sensor-Proximity, Ferrous |
| 4    | 104-5525    | 3    | Cylinder Pin ASM    | 26   | 100-4872    | 2    | Plate-Switch, Neutral     |
| 5    | 3234-17     | 6    | Screw-HHF           | 27   | 32149-7     | 2    | Nut-Keps                  |
| 6    | 340-77      | 6    | Fitting-HYD, 90 DEG | 28   | 104-5689-03 | 1    | Bracket-Support, Bumper   |
| 6:1  | 237-22      | 1    | O-Ring              | 29   | 87-3470     | 2    | Bumper-Axle, Rear         |
| 6:2  | 237-42      | 1    | O-Ring              | 31   | 33025-00    | 2    | Nut-Lock, NI              |
| 7    | 328-7       | 4    | Screw-HH            | 32   | 105-9831-03 | 2    | Bracket-Bumper, No. 1     |
| 8    | 107-1979    | 2    | Lift Cylinder ASM   | 33   | 104-5680-03 | 1    | Frame-Carrier, Front      |
| 9    | 107-1980    | 1    | Lift Cylinder ASM   | 35   | 104-5656    | 5    | Carrier Frame ASM         |
| 10   | 76-2980     | 6    | Washer-Thrust       | 35:2 | 108-4000    | 2    | Bushing                   |
| 11   | 3296-49     | 3    | Nut-Lock, NI        | 35:3 | 302-5       | 1    | Fitting-Grease            |
| 12   | 95-7158     | 3    | Pin-Pivot           | 36   | 112-9900-03 | 4    | Guard-Foot                |
| 13   | 32121-110   | 3    | Pin-Roll, Slotted   | 37   | 3234-18     | 10   | Screw-HHF                 |
| 14   | 105-9889    | 3    | Cylinder Pin ASM    | 38   | 93-8806     | 10   | Washer-Hardened           |
| 15   | 104-8301    | 2    | Nut-Flange, NI      | 39   | 105-9822    | 10   | Spacer                    |
| 16   | 32144-14    | 4    | Screw-HWHTF         | 40   | 105-9823    | 10   | Bushing-Carrier           |
| 17   | 105-3987-03 | 2    | Plate-Skid          | 41   | 104-8301    | 18   | Nut-Flange, NI            |
| 18   | 108-4033    | 1    | No. 4 Liftarm ASM   | 42   | 323-11      | 8    | Screw-HH                  |
| 18:2 | 302-5       | 1    | Fitting-Grease      | 44   | 321-15      | 4    | Screw-HH                  |
| 18:3 | 108-4000    | 2    | Bushing             | 45   | 32128-33    | 4    | Nut-HF                    |
| 18:4 | 104-0015    | 2    | Bushing-Flange      | 46   | 3256-23     | 4    | Washer-Flat               |
| 19   | 323-6       | 3    | Screw-HH            | 47   | 323-7       | 2    | Screw-HH                  |
|      |             |      |                     | 48   | 108-4034    | 1    | No. 5 Liftarm ASM         |



## Front Lift Arm Assembly (continued)

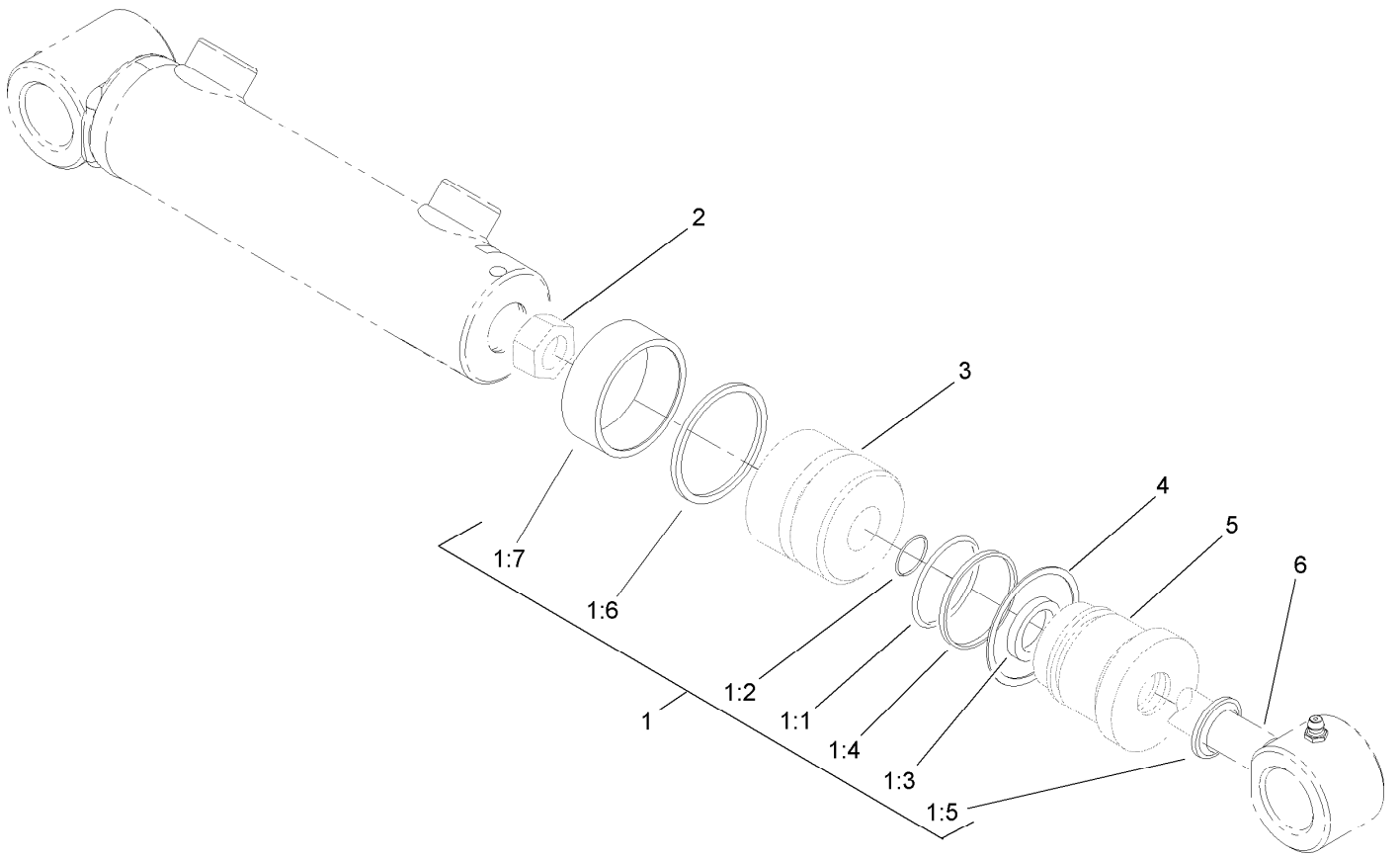
| <i>Ref.</i> | <i>Part Number</i> | <i>Qty.</i> | <i>Description</i> | <i>Ref.</i> | <i>Part Number</i> | <i>Qty.</i> | <i>Description</i> |
|-------------|--------------------|-------------|--------------------|-------------|--------------------|-------------|--------------------|
| 48:2        | 302-5              | 1           | Fitting-Grease     | 48:3        | 108-4000           | 2           | Bushing            |
|             |                    |             |                    | 48:4        | 104-0015           | 2           | Bushing-Flange     |



## Hydraulic Cylinder Assembly No. 107-1979

| Ref. | Part Number | Qty. | Description      |
|------|-------------|------|------------------|
| 1    | 107-1977    | 1    | Seal Kit         |
| 1:1  |             | 1    | O-Ring ●         |
| 1:2  |             | 1    | O-Ring ●         |
| 1:3  |             | 1    | Seal ●           |
| 1:4  |             | 1    | Back-Up ●        |
| 1:5  |             | 1    | Wiper ●          |
| 1:6  |             | 1    | Seal W/O-Ring ●  |
| 1:7  |             | 1    | Ring-Wear ●      |
| 2    |             | 1    | Locknut ●        |
| 3    |             | 1    | Piston ●         |
| 4    |             | 1    | Ring-Retaining ● |
| 5    |             | 1    | Head ●           |
| 6    |             | 1    | Rod ASM ●        |

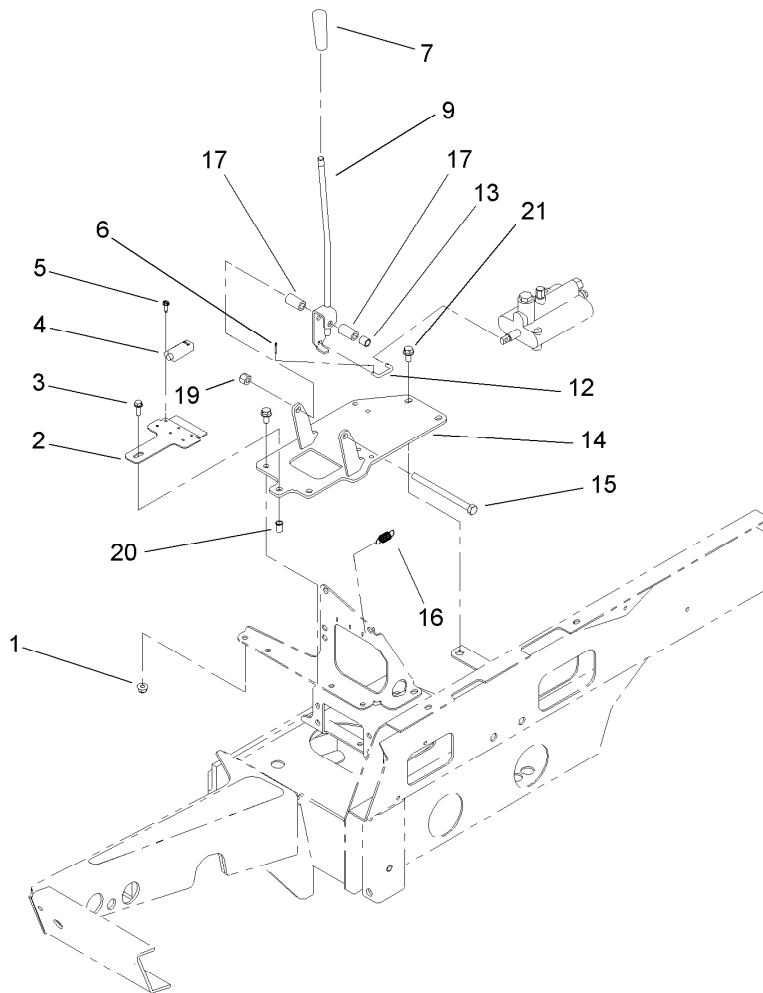
● Not serviced separately



## Hydraulic Cylinder Assembly No. 107-1980

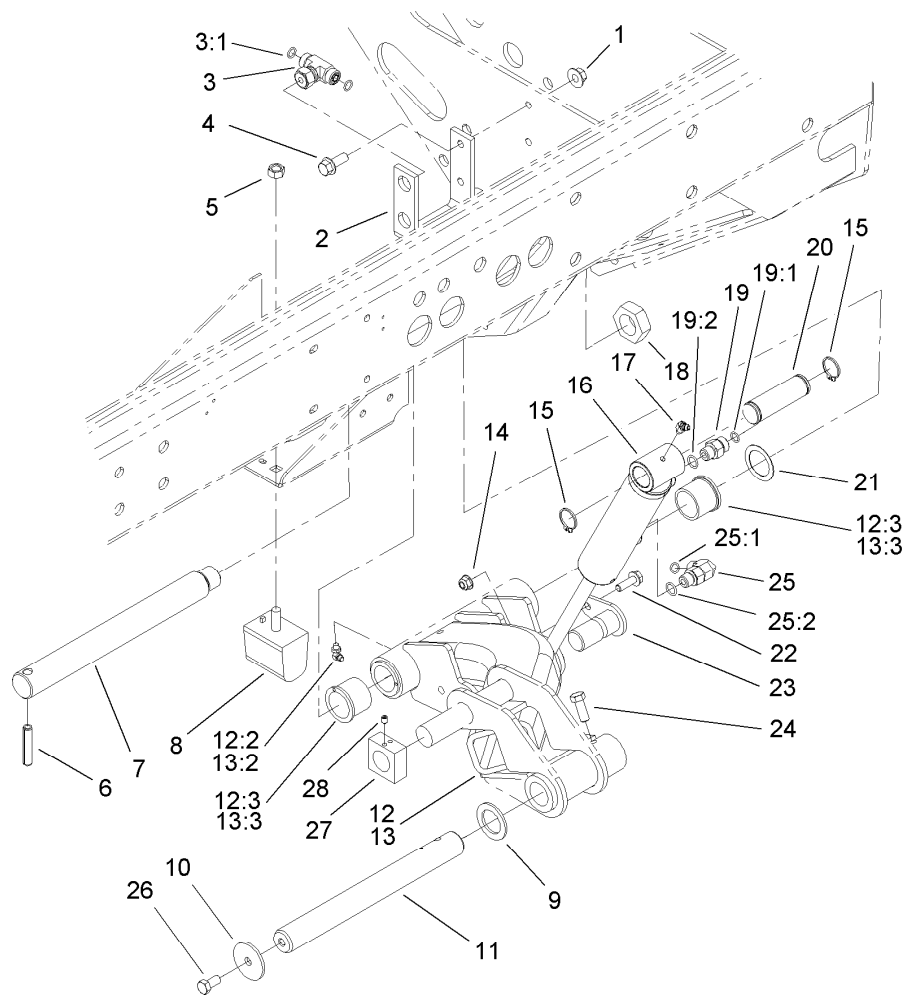
| <i>Ref.</i> | <i>Part Number</i> | <i>Qty.</i> | <i>Description</i> |
|-------------|--------------------|-------------|--------------------|
| 1           | 107-1977           | 1           | Seal Kit           |
| 1:1         |                    | 1           | O-Ring ●           |
| 1:2         |                    | 1           | O-Ring ●           |
| 1:3         |                    | 1           | Seal ●             |
| 1:4         |                    | 1           | Back-Up ●          |
| 1:5         |                    | 1           | Wiper ●            |
| 1:6         |                    | 1           | Seal W/O-Ring ●    |
| 1:7         |                    | 1           | Ring-Wear ●        |
| 2           |                    | 1           | Locknut ●          |
| 3           |                    | 1           | Piston ●           |
| 4           |                    | 1           | Ring-Retaining ●   |
| 5           |                    | 1           | Head ●             |
| 6           |                    | 1           | Rod ASM ●          |

● Not serviced separately



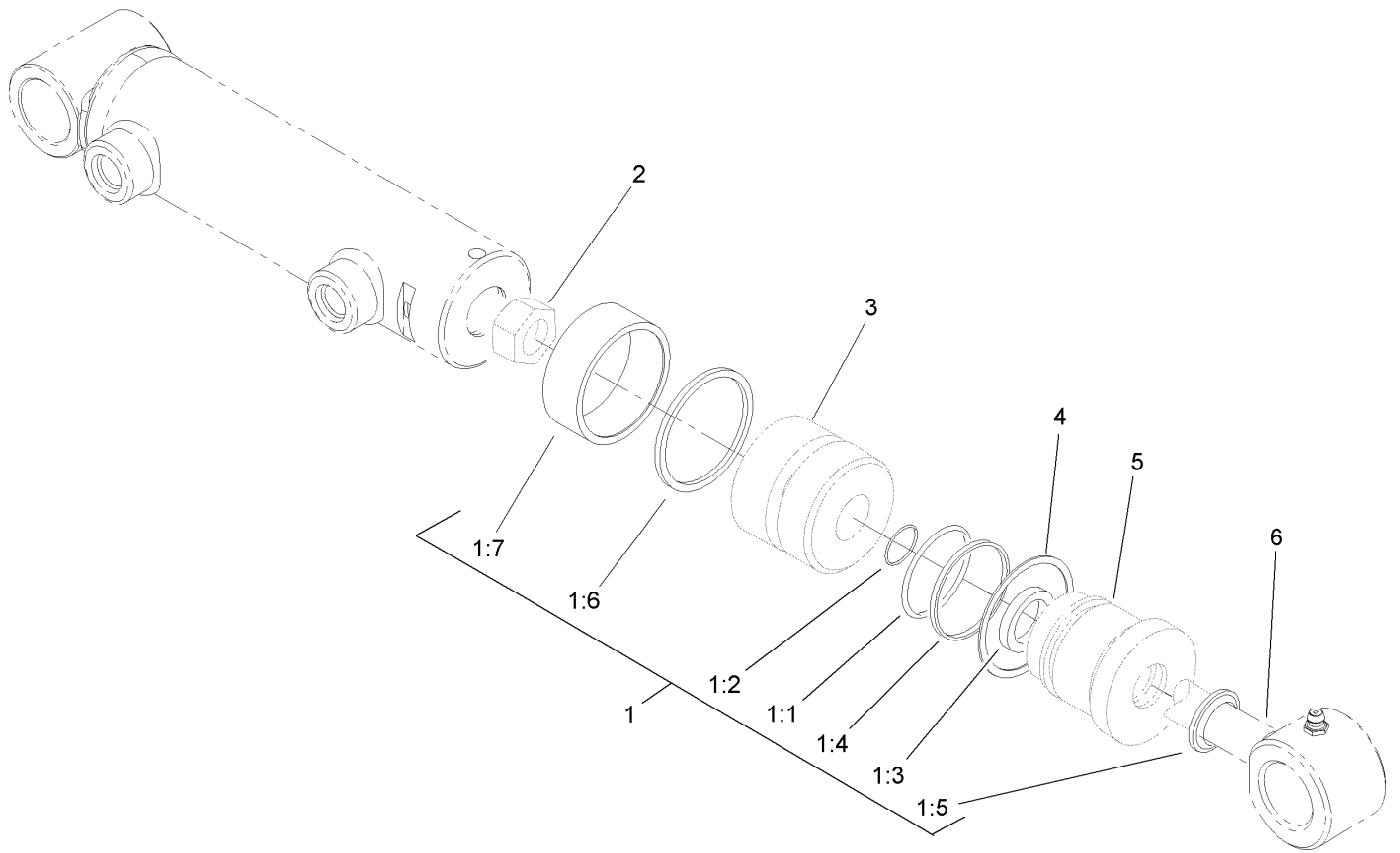
## Lift Lever Assembly

| <i>Ref.</i> | <i>Part Number</i> | <i>Qty.</i> | <i>Description</i> |
|-------------|--------------------|-------------|--------------------|
| 1           | 104-8300           | 2           | Nut-Flange, NI     |
| 2           | 104-5530           | 1           | Plate-Switch       |
| 3           | 3234-4             | 1           | Screw-HHF          |
| 4           | 105-0023           | 1           | Switch-Proximity   |
| 5           | 32144-19           | 2           | Screw-SHWH         |
| 6           | 3272-1             | 2           | Pin-Cotter         |
| 7           | 233-39             | 1           | Knob-Control       |
| 9           | 110-0480           | 1           | Center Lever ASM   |
| 12          | 69-9140            | 1           | Link-Lever, Valve  |
| 13          | 65-9980            | 1           | Spacer             |
| 14          | 104-5606-03        | 1           | Valve Support ASM  |
| 15          | 323-39             | 1           | Screw-HH           |
| 16          | 112-5256           | 1           | Spring-Extension   |
| 17          | 61-2780-03         | 2           | Spacer-Tube        |
| 19          | 3296-39            | 1           | Nut-Lock, NI       |
| 20          | 32148-6            | 1           | Insert-Nut         |
| 21          | 3234-5             | 4           | Screw-HHF          |



## No. 2 and 3 Lift Arm Assembly

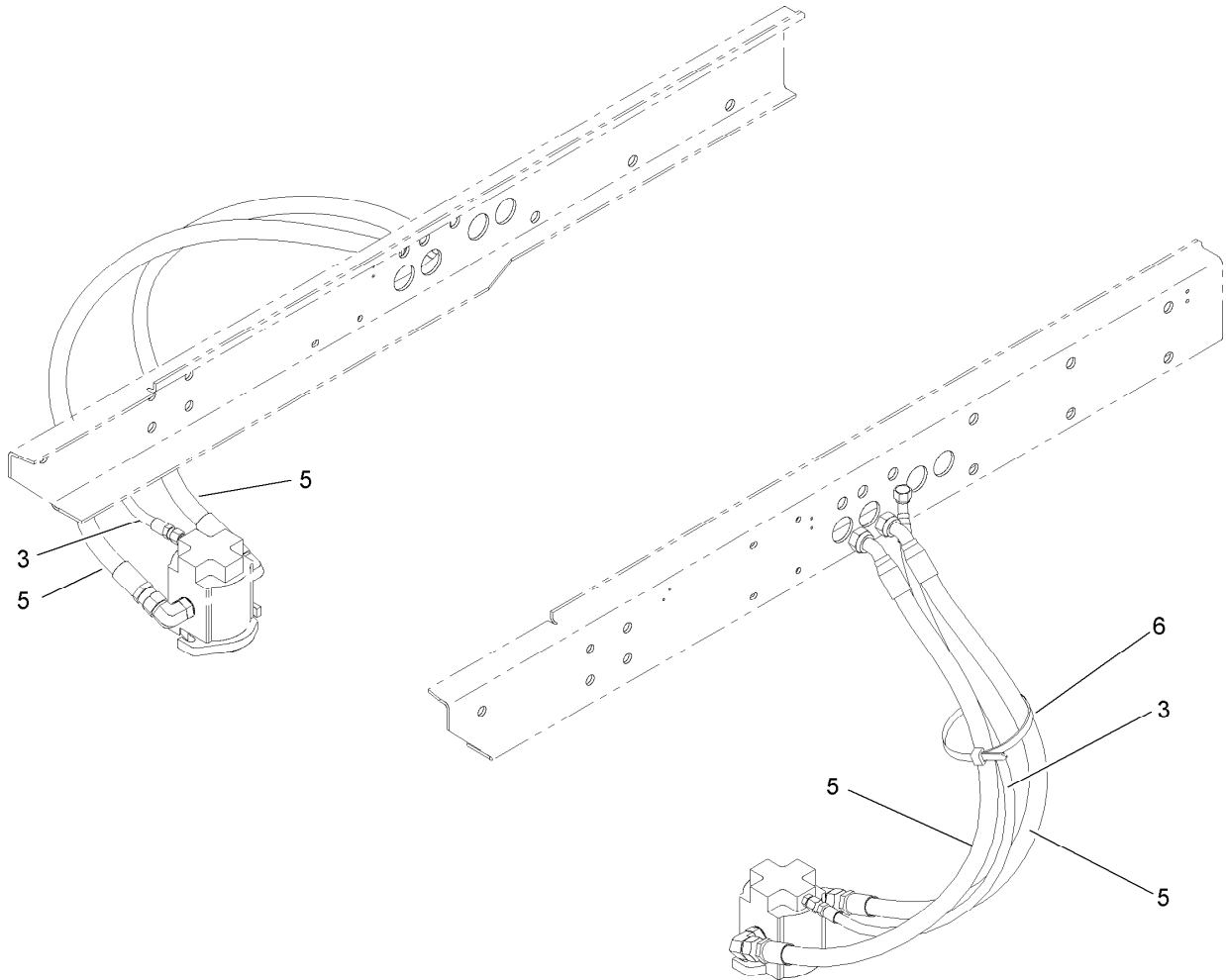
| Ref. | Part Number | Qty. | Description        | Ref. | Part Number | Qty. | Description                |
|------|-------------|------|--------------------|------|-------------|------|----------------------------|
| 1    | 32128-20    | 2    | Nut-HF             | 15   | 32151-36    | 4    | Ring-Retaining             |
| 2    | 105-3992-03 | 1    | Bracket-Bulkhead   | 16   | 107-1978    | 2    | Cylinder-Lift              |
| 3    | 340-166     | 2    | Fitting-Tee, HYD   | 17   | 302-11      | 2    | Fitting-Lube, 45 DEG       |
| 3:1  | 237-22      | 1    | O-Ring             | 18   | 3296-49     | 2    | Nut-Lock, NI               |
| 4    | 3234-17     | 2    | Screw-HHF          | 19   | 340-2       | 2    | Fitting-HYD, Straight      |
| 5    | 33025-00    | 2    | Nut-Lock, NI       | 19:1 | 237-22      | 1    | O-Ring                     |
| 6    | 32121-110   | 2    | Pin-Roll, Slotted  | 19:2 | 237-42      | 1    | O-Ring                     |
| 7    | 95-7158     | 2    | Pin-Pivot          | 20   | 92-7548     | 2    | Pin-Cylinder               |
| 8    | 87-3470     | 2    | Bumper-Axle, Rear  | 21   | 76-2980     | 2    | Washer-Thrust              |
| 9    | 3-6781      | 2    | Washer-Thrust      | 22   | 3234-17     | 2    | Screw-HHF                  |
| 10   | 63-7400     | 2    | Washer-Rebound     | 23   | 104-5525    | 2    | Cylinder Pin ASM           |
| 11   | 105-9827    | 2    | Shaft              | 24   | 323-6       | 2    | Screw-HH                   |
| 12   | 105-9202    | 1    | No. 2 Lift Arm ASM | 25   | 340-77      | 2    | Fitting-HYD, 90 DEG        |
| 12:2 | 302-60      | 1    | Fitting-Grease     | 25:1 | 237-22      | 1    | O-Ring                     |
| 12:3 | 104-0015    | 2    | Bushing-Flange     | 25:2 | 237-42      | 1    | O-Ring                     |
| 13   | 105-9203    | 1    | No. 3 Lift Arm ASM | 26   | 323-4       | 2    | Screw-HH                   |
| 13:2 | 302-60      | 1    | Fitting-Grease     | 27   | 105-9839    | 2    | Stop-Rotation, No. 2 And 3 |
| 13:3 | 104-0015    | 2    | Bushing-Flange     | 28   | 3245-32     | 4    | Screw-HSH                  |
| 14   | 104-8300    | 2    | Nut-Flange, NI     |      |             |      |                            |



## Hydraulic Cylinder Assembly No. 107-1978

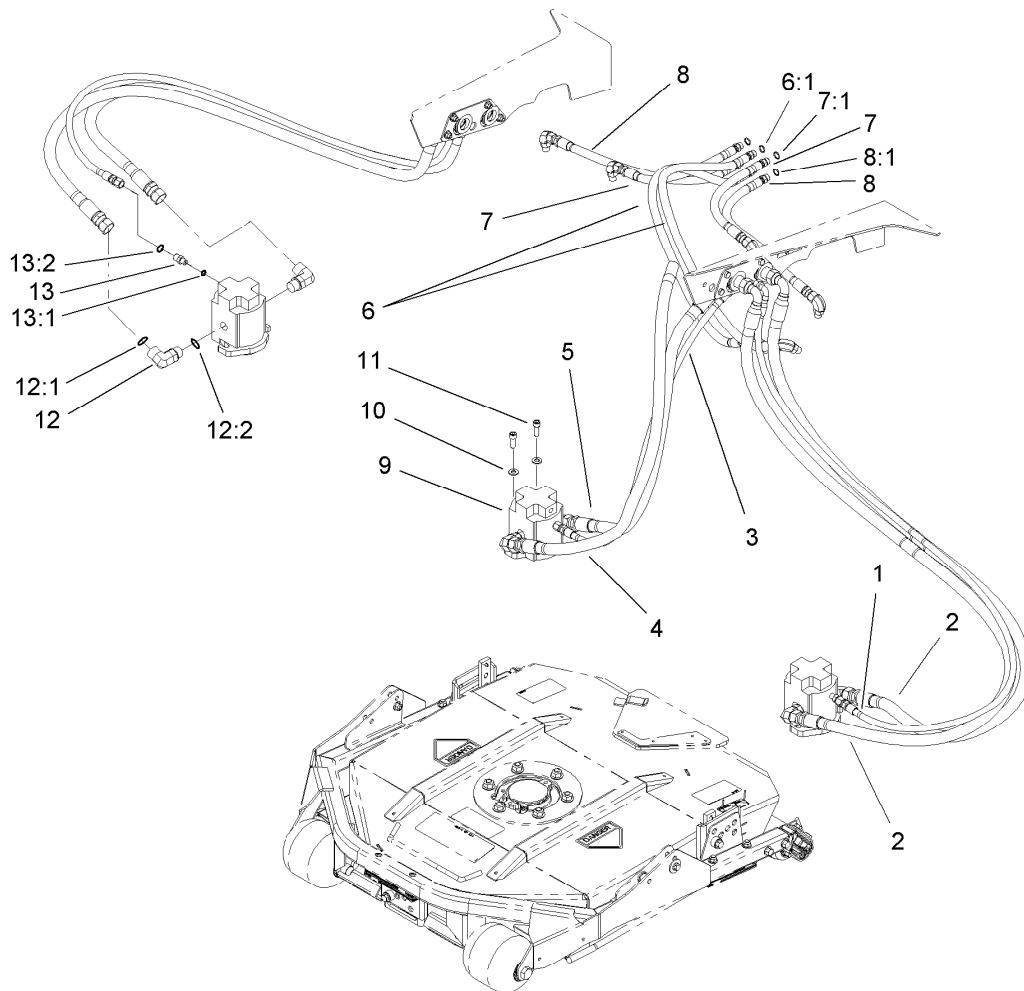
| Ref. | Part Number | Qty. | Description      |
|------|-------------|------|------------------|
| 1    | 107-1977    | 1    | Seal Kit         |
| 1:1  |             | 1    | O-Ring ●         |
| 1:2  |             | 1    | O-Ring ●         |
| 1:3  |             | 1    | Seal ●           |
| 1:4  |             | 1    | Back-Up ●        |
| 1:5  |             | 1    | Wiper ●          |
| 1:6  |             | 1    | Seal W/O-Ring ●  |
| 1:7  |             | 1    | Ring-Wear ●      |
| 2    |             | 1    | Locknut ●        |
| 3    |             | 1    | Piston ●         |
| 4    |             | 1    | Ring-Retaining ● |
| 5    |             | 1    | Head ●           |
| 6    |             | 1    | Rod ASM ●        |

● Not serviced separately



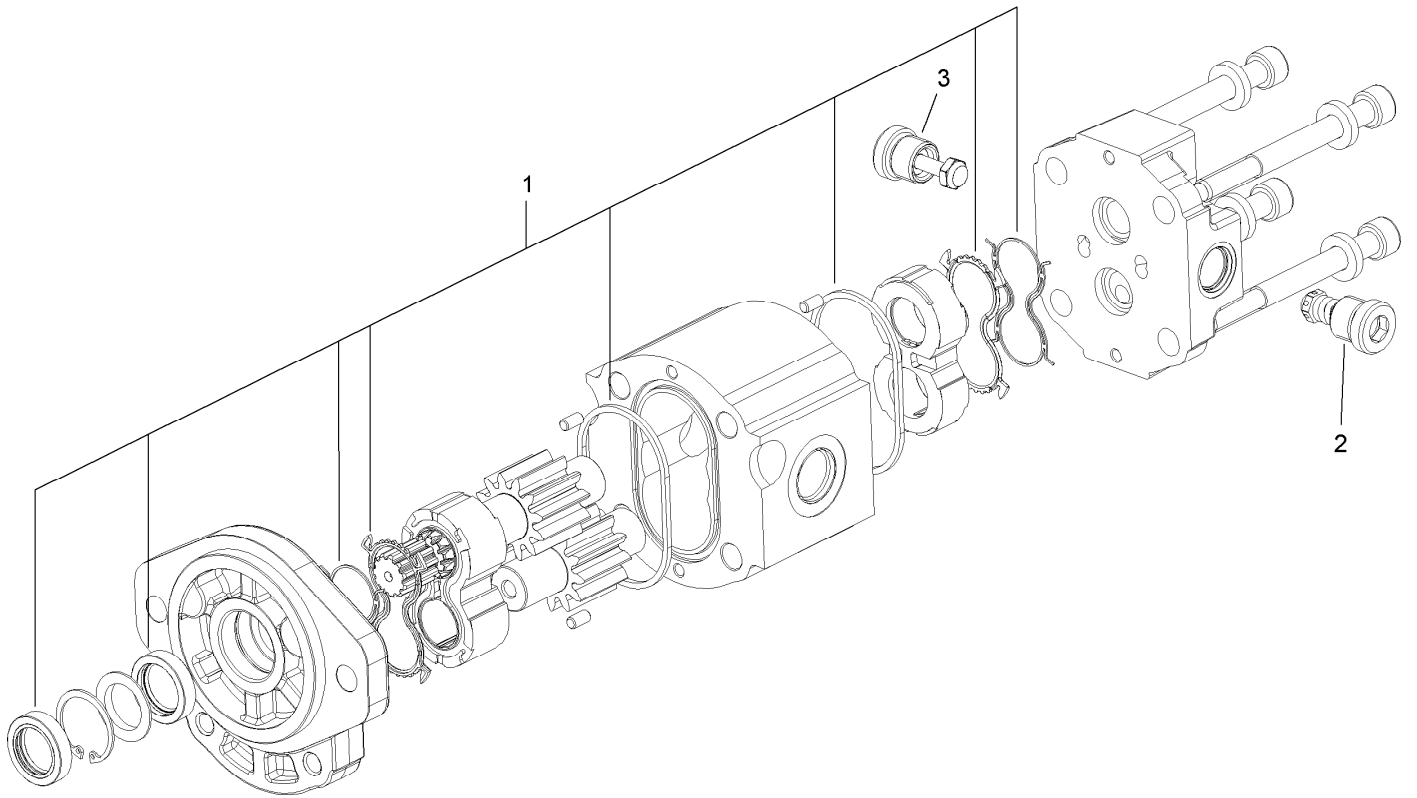
## No. 2 and 3 Hose Installation Assembly

| <i>Ref.</i> | <i>Part Number</i> | <i>Qty.</i> | <i>Description</i> |
|-------------|--------------------|-------------|--------------------|
| 3           | 104-5502           | 2           | Hose ASM           |
| 5           | 104-5505           | 4           | Hose ASM           |
| 6           | 3290-379           | 2           | Tie-Cable          |



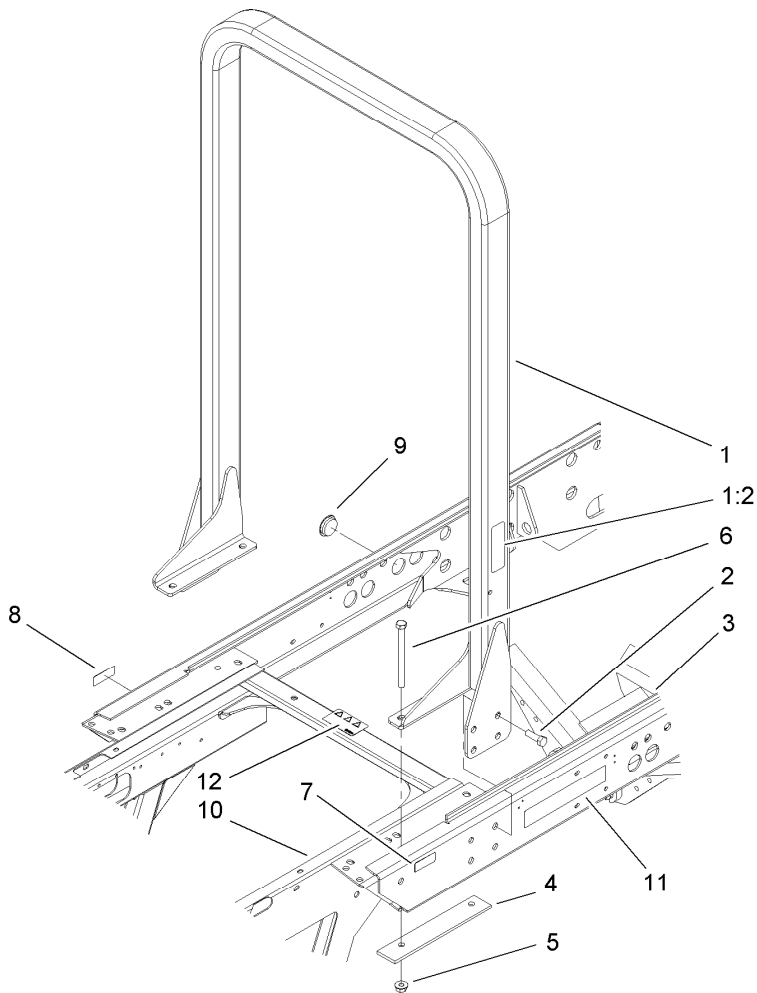
## No. 1, 4 and 5 Hose Installation Assembly

| <i>Ref.</i> | <i>Part Number</i> | <i>Qty.</i> | <i>Description</i>    |
|-------------|--------------------|-------------|-----------------------|
| 1           | 104-5500           | 2           | Hose ASM              |
| 2           | 104-5501           | 4           | Hose ASM              |
| 3           | 104-5502           | 1           | Hose ASM              |
| 4           | 104-5504           | 1           | Hose ASM              |
| 5           | 104-5505           | 1           | Hose ASM              |
| 6           | 104-5511           | 2           | Hose ASM              |
| 6:1         | 237-42             | 1           | O-Ring                |
| 7           | 104-5512           | 2           | Hose ASM              |
| 7:1         | 237-42             | 1           | O-Ring                |
| 8           | 104-5513           | 2           | Hose ASM              |
| 8:1         | 237-42             | 1           | O-Ring                |
| 9           | 105-9872           | 5           | HYD Motor ASM         |
| 10          | 3256-24            | 10          | Washer-Flat           |
| 11          | 3274-7             | 10          | Screw-HSH             |
| 12          | 340-17             | 10          | Fitting-HYD, 90 DEG   |
| 12:1        | 237-65             | 1           | O-Ring                |
| 12:2        | 237-80             | 1           | O-Ring                |
| 13          | 340-92             | 5           | Fitting-HYD, Straight |
| 13:1        | 237-78             | 1           | O-Ring                |
| 13:2        | 237-21             | 1           | O-Ring                |



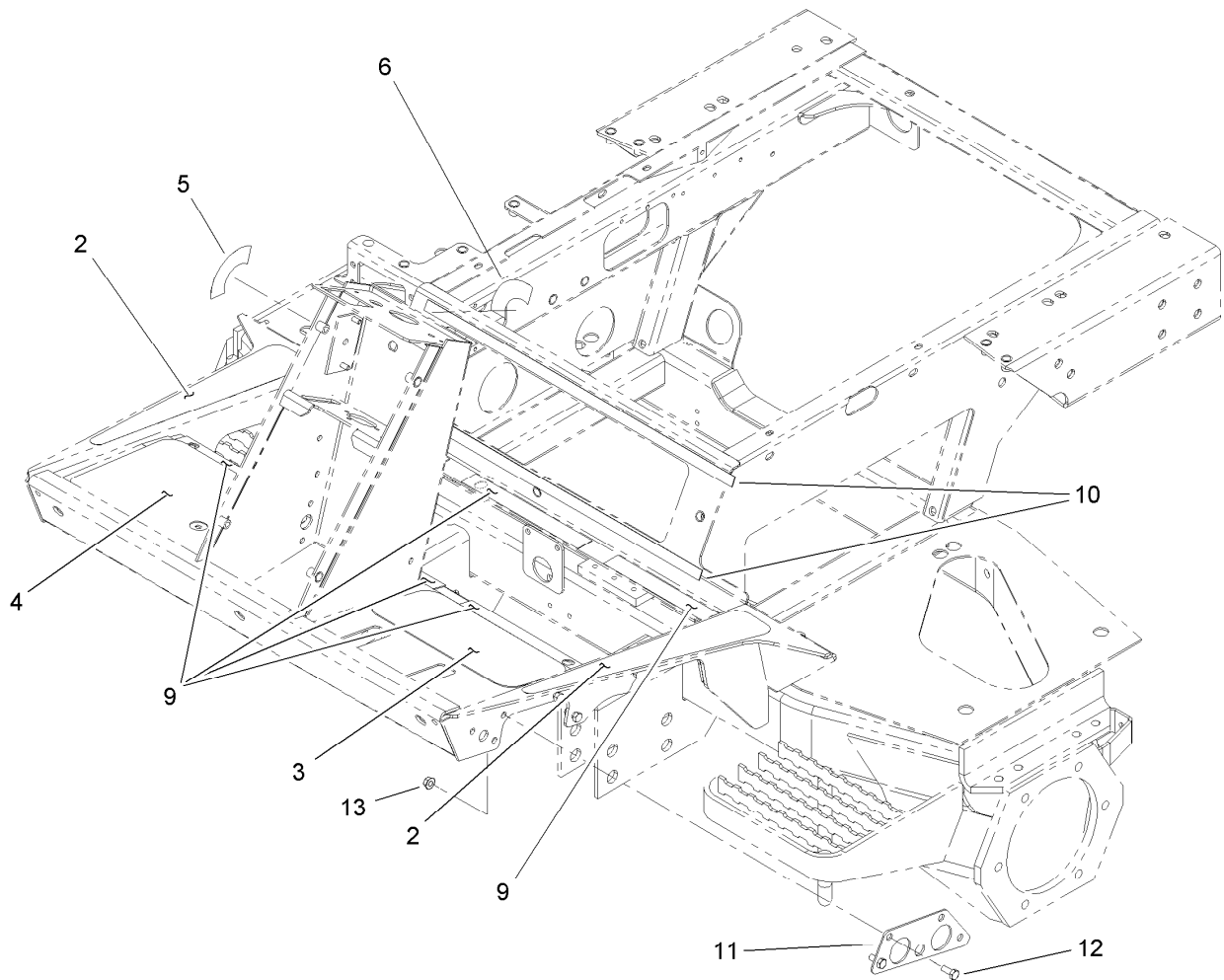
## Hydraulic Motor Assembly No. 105-9872

| <i>Ref.</i> | <i>Part Number</i> | <i>Qty.</i> | <i>Description</i>   |
|-------------|--------------------|-------------|----------------------|
| 1           | 107-7819           | 1           | Seal Kit             |
| 2           | 107-7820           | 1           | Valve-Relief         |
| 3           | 107-7821           | 1           | Valve-Anticavitation |



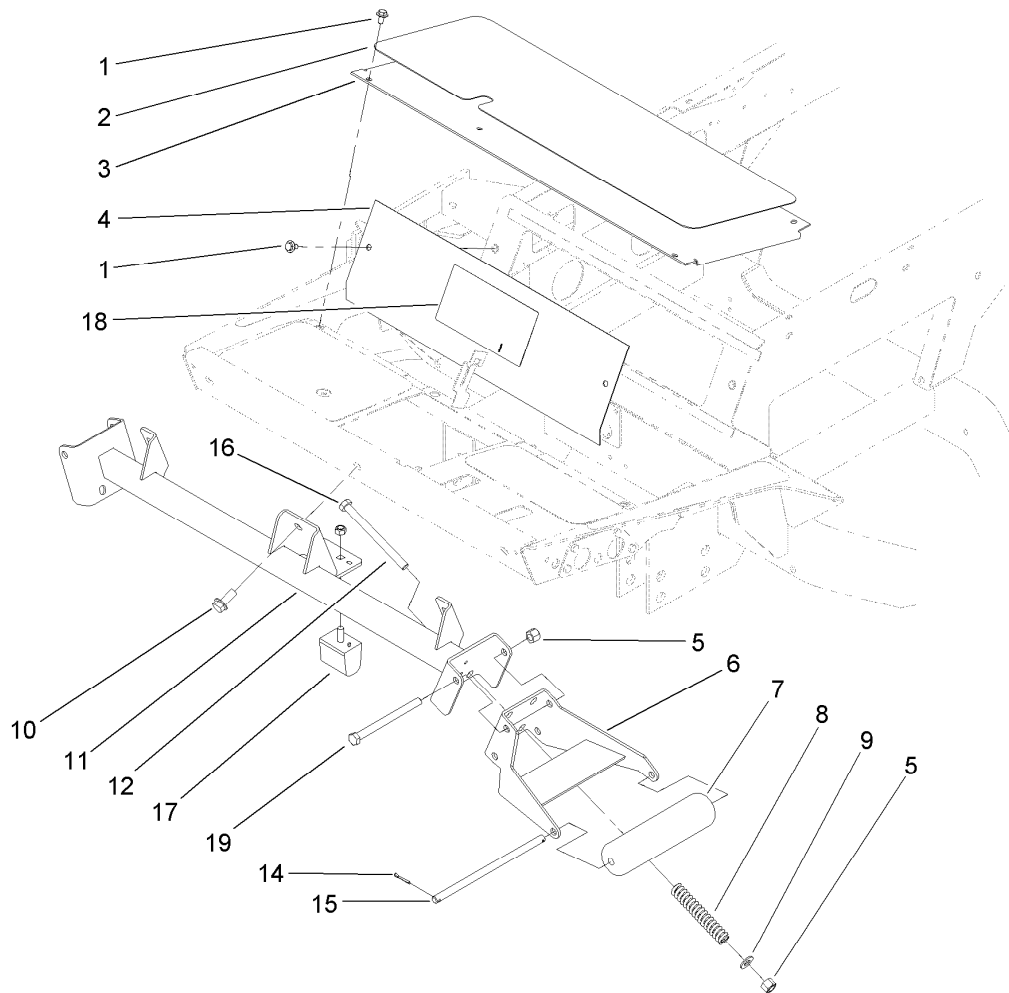
## Roll-Over Protection System and Frame Assembly

| <i>Ref.</i> | <i>Part Number</i> | <i>Qty.</i> | <i>Description</i>        |
|-------------|--------------------|-------------|---------------------------|
| 1           | 108-4018           | 1           | ROPS ASM                  |
| 1:2         | 107-1999           | 1           | Decal-ROPS                |
| 2           | 3234-38            | 10          | Screw-HHF                 |
| 3           | 104-5410-03        | 1           | Frame-Rear                |
| 4           | 104-5584-03        | 2           | Plate-Reinforcement, ROPS |
| 5           | 32128-49           | 4           | Nut-HHF                   |
| 6           | 325-20             | 4           | Screw-HH                  |
| 7           | 114-9600           | 1           | Decal-Low Sulfur          |
| 8           | 93-6686            | 1           | Decal-Oil, HYD            |
| 9           | 105-9194           | 4           | Plug                      |
| 10          | 108-6051           | 1           | Front Frame ASM           |
| 11          | 72-3560            | 2           | Decal                     |
| 12          | 106-6754           | 1           | Decal-Danger              |



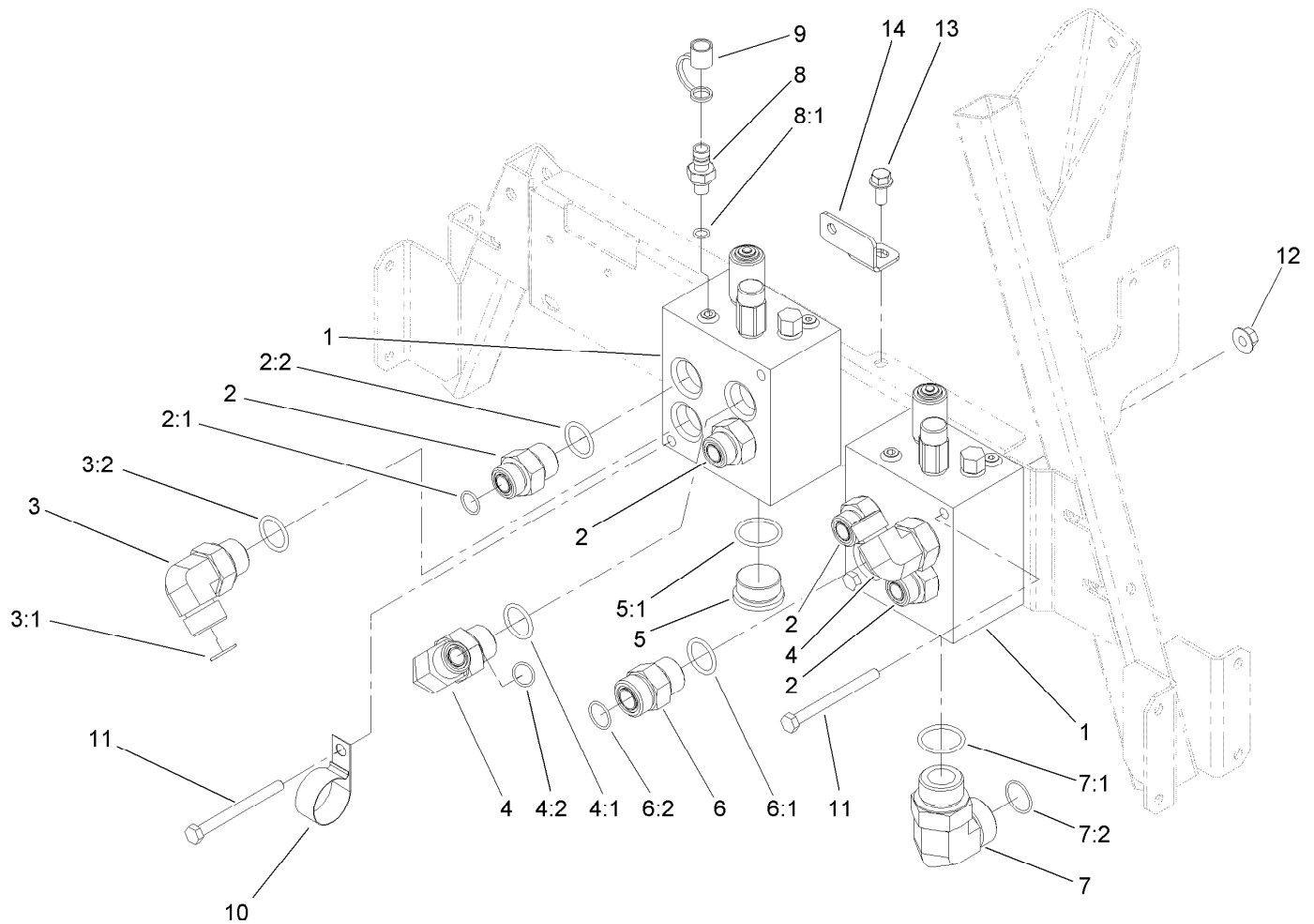
## Front Frame Assembly No. 108-6051

| <i>Ref.</i> | <i>Part Number</i> | <i>Qty.</i> | <i>Description</i>       |
|-------------|--------------------|-------------|--------------------------|
| 2           | 93-7592            | 2           | Tread-Rest, Foot         |
| 3           | 75-0620            | 1           | Tread-Foot, LH           |
| 4           | 104-5223           | 1           | Tread-Foot, RH           |
| 5           | 93-6699            | 1           | Decal-Fast / Slow        |
| 6           | 105-7506           | 1           | Decal-Switch, Key        |
| 9           | 105-9859           | 6           | Seal-Foam                |
| 10          | 105-9860           | 2           | Seal-Foam                |
| 11          | 106-7794-01        | 2           | Plate-Mount, HYD Fitting |
| 12          | 322-3              | 7           | Screw-HH                 |
| 13          | 32128-20           | 7           | Nut-HF                   |



## Roller Support and Access Panel Assembly

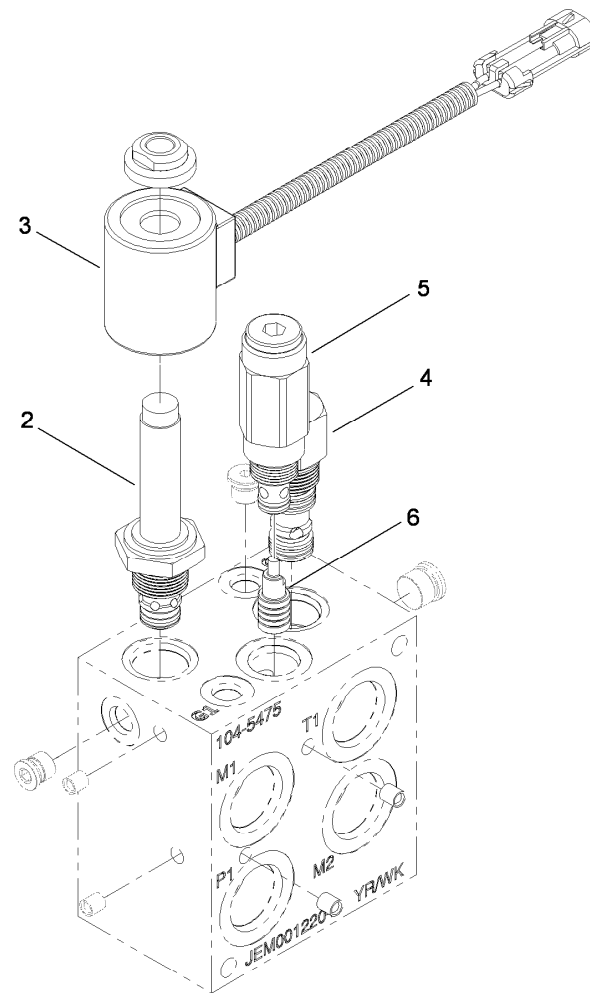
| <i>Ref.</i> | <i>Part Number</i> | <i>Qty.</i> | <i>Description</i>  |
|-------------|--------------------|-------------|---------------------|
| 1           | 3234-7             | 7           | Screw-HHF           |
| 2           | 75-0630            | 1           | Tread-Foot, Center  |
| 3           | 75-1410-01         | 1           | Plate-Access, Floor |
| 4           | 105-9243-01        | 1           | Plate-Access        |
| 5           | 3296-23            | 4           | Nut-Lock, NI        |
| 6           | 105-3996-01        | 2           | Support-Roller      |
| 7           | 105-9816           | 2           | Roller-Plastic      |
| 8           | 105-3970           | 2           | Spring-Compression  |
| 9           | 3256-26            | 2           | Washer-Flat         |
| 10          | 3234-38            | 3           | Screw-HHF           |
| 11          | 104-5539-01        | 1           | Roller Support ASM  |
| 12          | 325-22             | 2           | Screw-HH            |
| 14          | 3272-11            | 4           | Pin-Cotter          |
| 15          | 104-5545           | 2           | Shaft-Roller        |
| 16          | 33025-00           | 1           | Nut-Lock, NI        |
| 17          | 87-3470            | 1           | Bumper-Axle, Rear   |
| 18          | 112-5297           | 1           | Decal-Danger        |
| 19          | 325-20             | 2           | Screw-HH            |



## Manifold Assembly

| <i>Ref.</i> | <i>Part Number</i> | <i>Qty.</i> | <i>Description</i>    |
|-------------|--------------------|-------------|-----------------------|
| 1           | 104-5475           | 2           | Manifold ASM          |
| 2           | 340-8              | 4           | Adapter               |
| 2:1         | 237-65             | 1           | O-Ring                |
| 2:2         | 237-81             | 1           | O-Ring                |
| 3           | 340-142            | 1           | Fitting-HYD, 90 DEG   |
| 3:1         | 237-58             | 1           | O-Ring                |
| 3:2         | 237-81             | 1           | O-Ring                |
| 4           | 340-139            | 2           | Fitting-HYD, 90 DEG   |
| 4:1         | 237-81             | 1           | O-Ring                |
| 4:2         | 237-65             | 1           | O-Ring                |
| 5           | 105-3921           | 1           | Fitting-Plug          |
| 5:1         | 237-146            | 1           | O-Ring                |
| 6           | 340-9              | 1           | Fitting-HYD, Straight |

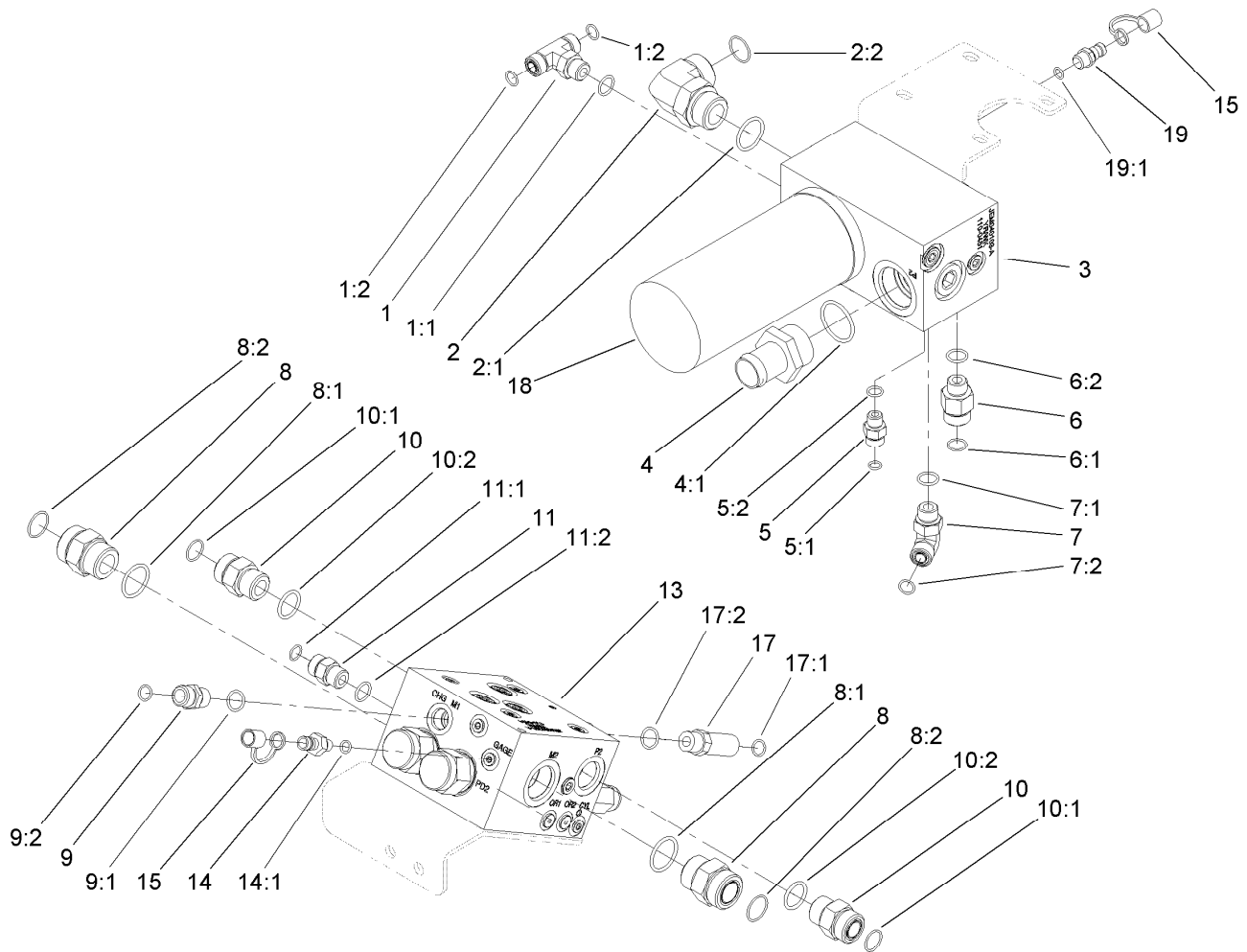
| <i>Ref.</i> | <i>Part Number</i> | <i>Qty.</i> | <i>Description</i>  |
|-------------|--------------------|-------------|---------------------|
| 6:1         | 237-58             | 1           | O-Ring              |
| 6:2         | 237-81             | 1           | O-Ring              |
| 7           | 340-129            | 1           | Fitting-HYD, 90 DEG |
| 7:1         | 237-146            | 1           | O-Ring              |
| 7:2         | 340-65             | 1           | O-Ring              |
| 8           | 354-77             | 2           | Fitting-Quick       |
| 8:1         | 237-78             | 1           | O-Ring              |
| 9           | 354-79             | 2           | Cap-Dust            |
| 10          | 2412-150           | 1           | Clip-J              |
| 11          | 322-22             | 4           | Screw-HH            |
| 12          | 32128-44           | 5           | Nut                 |
| 13          | 3234-5             | 1           | Screw-HHF           |
| 14          | 104-5487           | 1           | Bracket-L           |



## Hydraulic Manifold Assembly No. 104-5475

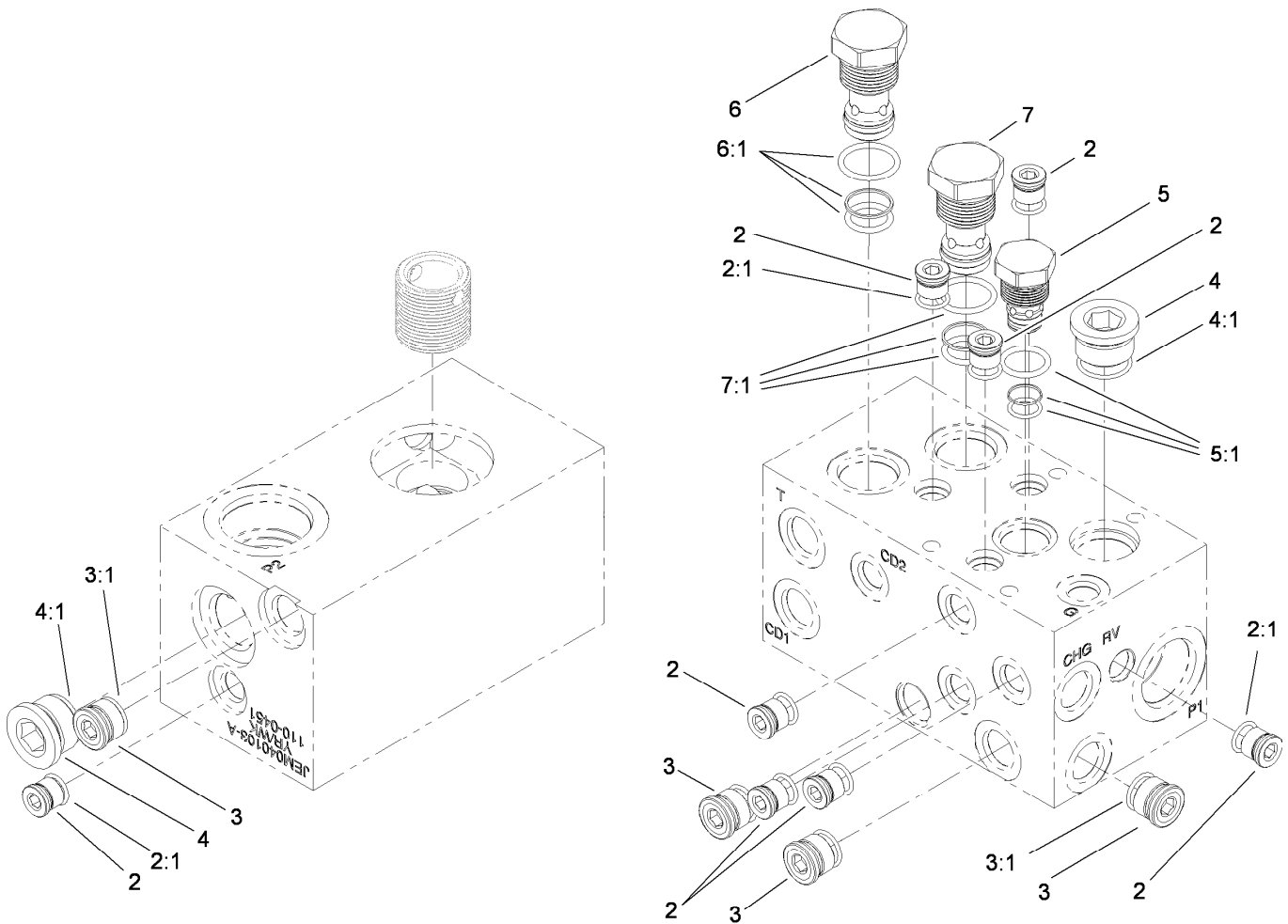
| <i>Ref.</i> | <i>Part Number</i> | <i>Qty.</i> | <i>Description</i>    |
|-------------|--------------------|-------------|-----------------------|
| 2           | 110-8799           | 1           | Relief-Proportional   |
| 3           | 105-9152           | 1           | Coil ASM              |
| 4           | 105-9153           | 1           | Element-Logic, Vented |
| 5           | 112-5259           | 1           | Valve-Relief          |
| 5:1         | 105-9156           | 1           | Seal Kit ●            |
| 6           | 105-9157           | 1           | Piston-Pilot          |

● Not illustrated



## 4WD Manifold and Filter Assembly

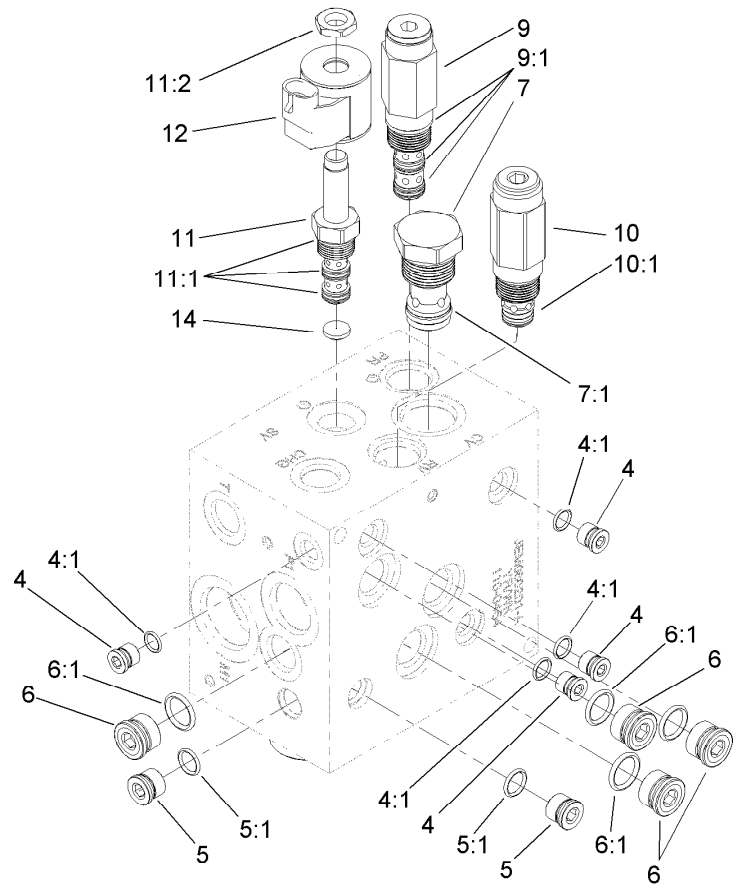
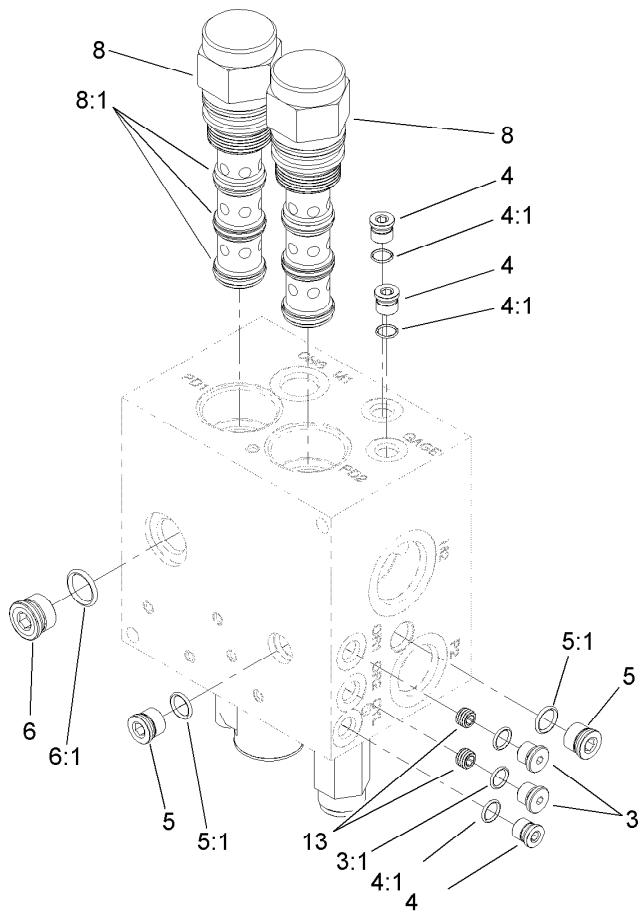
| Ref. | Part Number | Qty. | Description            | Ref. | Part Number | Qty. | Description                   |
|------|-------------|------|------------------------|------|-------------|------|-------------------------------|
| 1    | 340-157     | 1    | Fitting-HYD, Tee       | 9    | 100-4890    | 1    | Fitting-Check                 |
| 1:1  | 237-79      | 1    | O-Ring                 | 9:1  | 237-79      | 1    | O-Ring                        |
| 1:2  | 237-30      | 2    | O-Ring                 | 9:2  | 237-30      | 1    | O-Ring                        |
| 2    | 340-129     | 1    | Fitting-HYD, 90 DEG    | 10   | 340-9       | 2    | Fitting-HYD, Straight         |
| 2:1  | 237-146     | 1    | O-Ring                 | 10:1 | 237-58      | 1    | O-Ring                        |
| 2:2  | 340-65      | 1    | O-Ring                 | 10:2 | 237-81      | 1    | O-Ring                        |
| 3    | 110-0451    | 1    | Manifold-Filter        | 11   | 340-4       | 1    | Fitting-HYD, Straight         |
| 4    | 104-5480    | 1    | Fitting-Hose, Straight | 11:1 | 237-30      | 1    | O-Ring                        |
| 4:1  | 237-123     | 1    | O-Ring                 | 11:2 | 237-79      | 1    | O-Ring                        |
| 5    | 340-2       | 1    | Fitting-HYD, Straight  | 13   | 110-0454    | 1    | 4-Wheel Drive Manifold<br>ASM |
| 5:1  | 237-22      | 1    | O-Ring                 | 14   | 354-77      | 1    | Fitting-Quick                 |
| 5:2  | 237-42      | 1    | O-Ring                 | 14:1 | 237-78      | 1    | O-Ring                        |
| 6    | 340-155     | 1    | Fitting-HYD, Straight  | 15   | 354-79      | 2    | Cap-Dust                      |
| 6:1  | 237-79      | 1    | O-Ring                 | 17   | 94-2628     | 1    | Adapter-HYD                   |
| 6:2  | 237-151     | 1    | O-Ring                 | 17:1 | 237-79      | 1    | O-Ring                        |
| 7    | 340-98      | 1    | Fitting-HYD, 90 DEG    | 17:2 | 237-30      | 1    | O-Ring                        |
| 7:1  | 237-79      | 1    | O-Ring                 | 18   | 94-2621     | 1    | Element-Filter                |
| 7:2  | 237-30      | 1    | O-Ring                 | 19   | 59-7410     | 1    | Tip-Nipple, Diagnostic        |
| 8    | 104-3797    | 2    | Fitting-HYD, Straight  | 19:1 | 237-42      | 1    | O-Ring                        |
| 8:1  | 237-146     | 1    | O-Ring                 |      |             |      |                               |
| 8:2  | 340-65      | 1    | O-Ring                 |      |             |      |                               |



## Filter Manifold Assembly No. 110-0451

| Ref. | Part Number | Qty. | Description           |
|------|-------------|------|-----------------------|
| 2    | 106-1026    | 8    | Plug-HYD              |
| 2:1  | 237-42      | 1    | O-Ring                |
| 3    | 106-1027    | 4    | Plug-HYD              |
| 3:1  | 237-79      | 1    | O-Ring                |
| 4    | 106-1029    | 2    | Plug-Leak, Zero       |
| 4:1  | 237-81      | 1    | O-Ring                |
| 5    | 110-0469    | 1    | Valve-Check, 180 Psi  |
| 5:1  | 105-9159    | 1    | Seal Kit              |
| 6    | 110-0468    | 1    | Valve-Check, 5 Psi ●● |
| 6:1  | 110-0470    | 1    | Seal Kit              |
| 7    | 110-0467    | 1    | Valve-Check, 40 Psi   |
| 7:1  | 110-0470    | 1    | Seal Kit              |

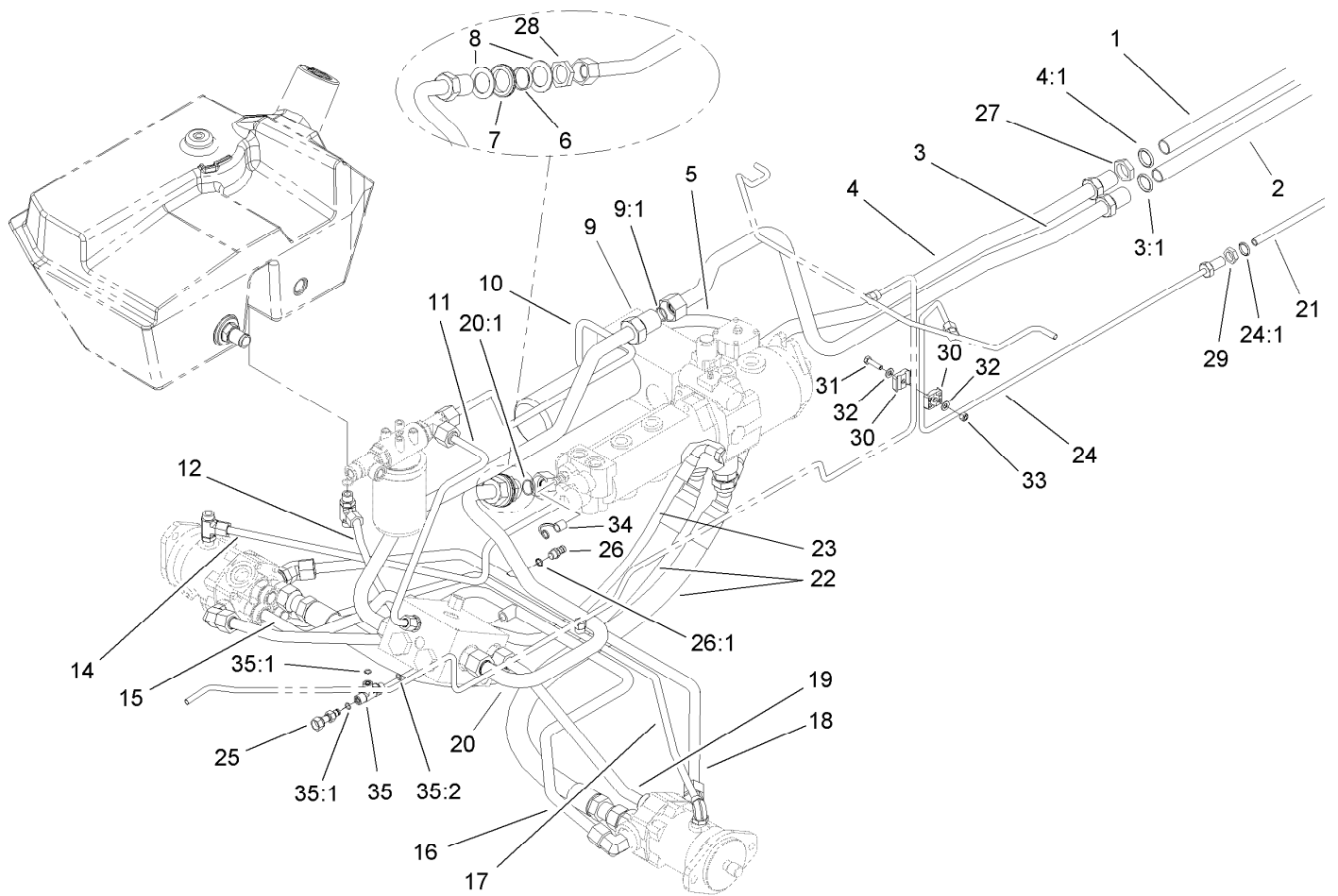
● Not serviced separately



## 4 Wheel Drive Manifold Assembly No. 110-0454

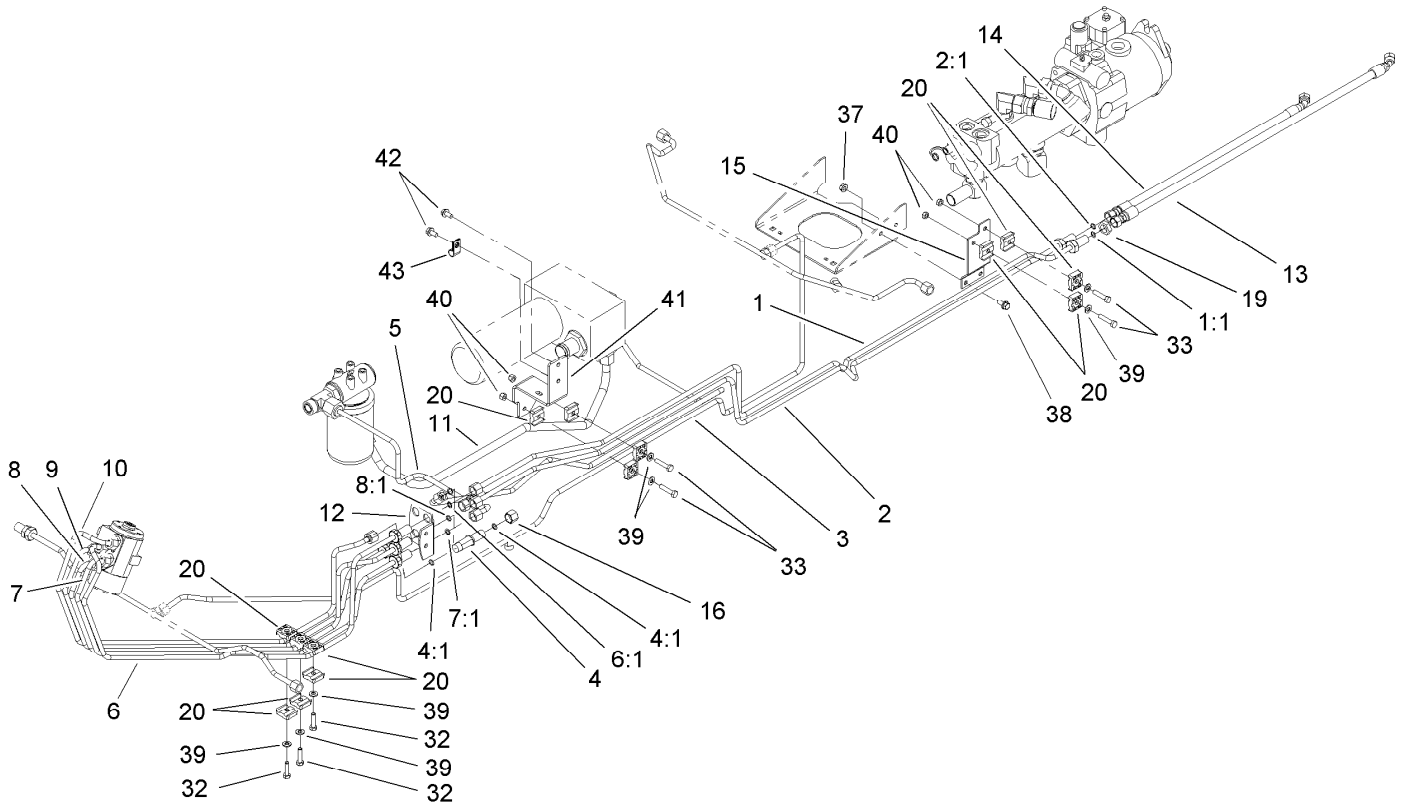
| Ref. | Part Number | Qty. | Description                    |
|------|-------------|------|--------------------------------|
| 3    | 353-512     | 2    | Plug                           |
| 3:1  | 237-78      | 1    | O-Ring                         |
| 4    | 106-1025    | 7    | Plug-HYD                       |
| 4:1  | 237-78      | 1    | O-Ring                         |
| 5    | 106-1026    | 4    | Plug-HYD                       |
| 5:1  | 237-42      | 1    | O-Ring                         |
| 6    | 106-1027    | 5    | Plug-HYD                       |
| 6:1  | 237-79      | 1    | O-Ring                         |
| 7    | 110-0468    | 1    | Valve-Check, 5 Psi             |
| 7:1  | 110-0470    | 1    | Seal Kit                       |
| 8    | 110-0491    | 2    | Valve-Directional              |
| 8:1  | 106-6775    | 1    | Seal Kit                       |
| 9    | 110-0496    | 1    | Valve-Reducing, Pressure ●●●●● |
| 9:1  | 105-9154    | 1    | Seal Kit                       |
| 10   | 110-0493    | 1    | Valve-Relief ●●●●              |
| 10:1 | 110-6316    | 1    | Seal Kit                       |
| 11   | 110-0494    | 1    | Valve-Solenoid                 |
| 11:1 | 110-8773    | 1    | Seal Kit                       |
| 11:2 | 110-2634    | 1    | Nut-Coil                       |
| 12   | 110-0497    | 1    | Coil-Solenoid                  |
| 13   | 110-0495    | 2    | Orifice (.050)                 |
| 14   | 110-0498    | 1    | Orifice (.030)                 |

● Not serviced separately



## Traction Hydraulic Line Assembly

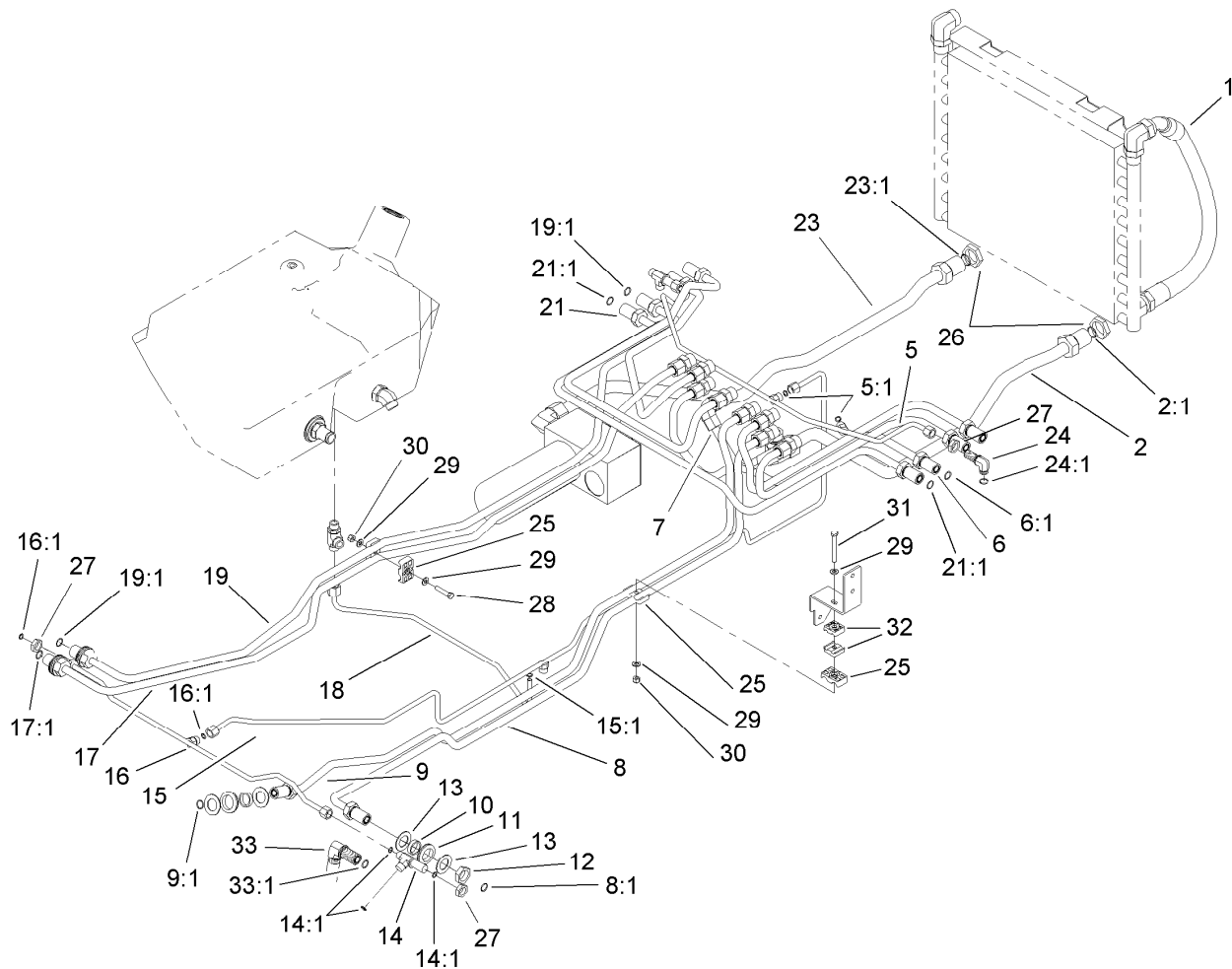
| <i>Ref.</i> | <i>Part Number</i> | <i>Qty.</i> | <i>Description</i> | <i>Ref.</i> | <i>Part Number</i> | <i>Qty.</i> | <i>Description</i>     |
|-------------|--------------------|-------------|--------------------|-------------|--------------------|-------------|------------------------|
| 1           | 92-7536            | 1           | Hose ASM           | 20          | 104-5473           | 1           | Tube ASM               |
| 2           | 105-9818           | 1           | Hose ASM           | 20:1        | 340-65             | 1           | O-Ring                 |
| 3           | 104-5476           | 1           | Tube ASM           | 21          | 92-7534            | 1           | Hose ASM               |
| 3:1         | 340-65             | 1           | O-Ring             | 22          | 104-5464           | 2           | Hose ASM               |
| 4           | 104-5478           | 1           | Tube ASM           | 23          | 105-3985           | 1           | Hose ASM               |
| 4:1         | 340-65             | 1           | O-Ring             | 24          | 105-9863           | 1           | Tube-HYD               |
| 5           | 105-3864           | 1           | Hose ASM           | 24:1        | 237-22             | 1           | O-Ring                 |
| 6           | 69-8950            | 2           | Spacer             | 25          | 86-5480            | 1           | Nipple-Test            |
| 7           | 240-2              | 2           | Grommet-Rubber     | 26          | 59-7410            | 1           | Tip-Nipple, Diagnostic |
| 8           | 69-8920            | 4           | Washer             | 26:1        | 237-42             | 1           | O-Ring                 |
| 9           | 104-5472           | 1           | Tube ASM           | 27          | 340-126            | 2           | Nut-Bulkhead           |
| 9:1         | 340-65             | 1           | O-Ring             | 28          | 340-128            | 2           | Nut-Bulkhead           |
| 10          | 110-0475           | 1           | Tube ASM           | 29          | 340-70             | 1           | Nut-Lock               |
| 11          | 105-3915           | 1           | Tube ASM           | 30          | 56-7973            | 2           | Clamp-Tube             |
| 12          | 104-5489           | 1           | Tube ASM           | 31          | 322-6              | 1           | Screw-HH               |
| 14          | 110-0476           | 1           | Tube ASM           | 32          | 3256-23            | 2           | Washer-Flat            |
| 15          | 104-5470           | 1           | Tube ASM           | 33          | 3296-29            | 1           | Nut-Lock, NI           |
| 16          | 105-3984           | 1           | Tube ASM           | 34          | 354-79             | 2           | Cap-Dust               |
| 17          | 105-3865           | 1           | Tube ASM           | 35          | 340-86             | 1           | Fitting-Tee            |
| 18          | 104-5462           | 1           | Tube ASM           | 35:1        | 237-22             | 2           | O-Ring                 |
| 19          | 104-5468           | 1           | Tube ASM           | 35:2        | 237-42             | 1           | O-Ring                 |



## Hydraulic Steering Line Assembly

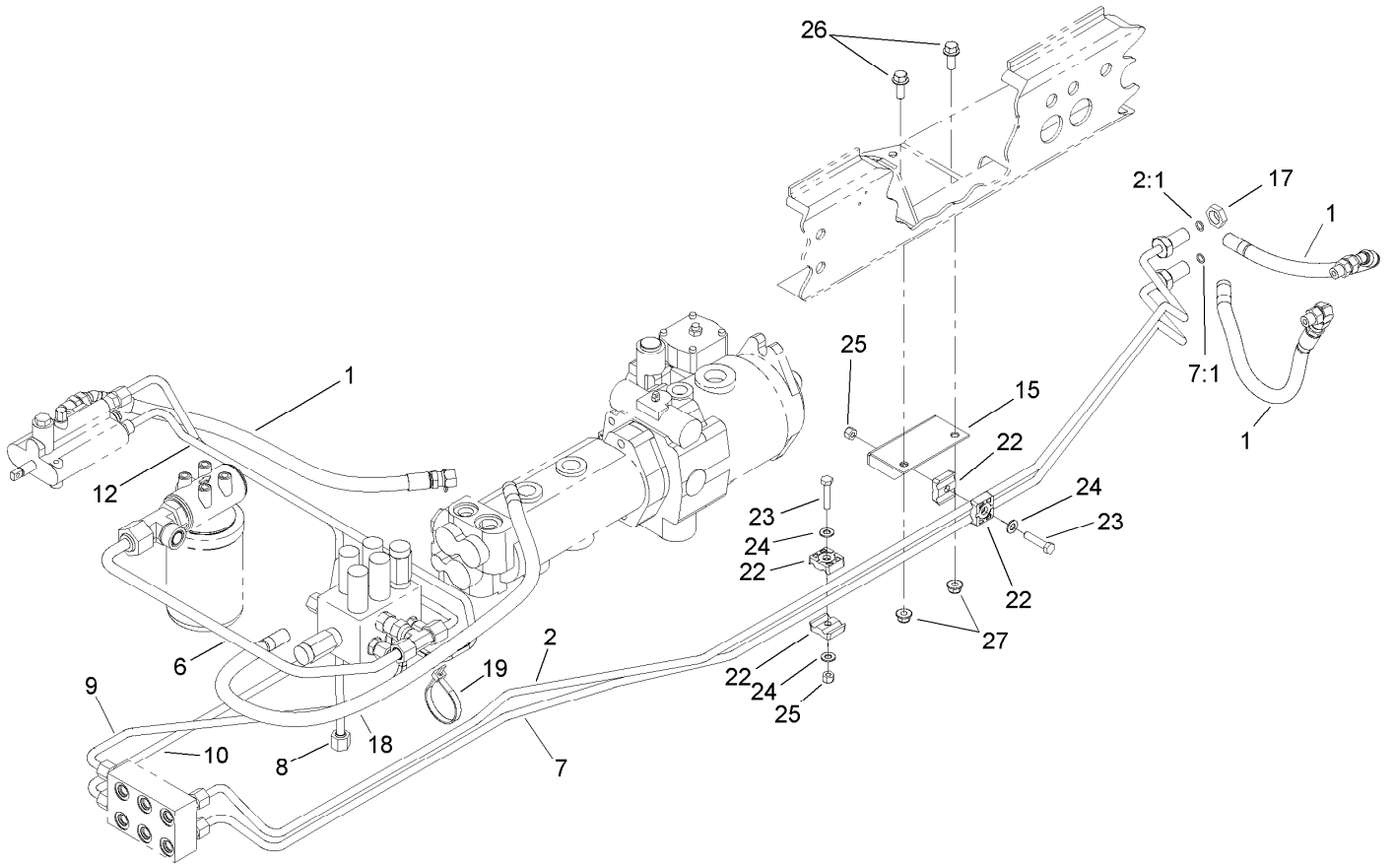
| Ref. | Part Number | Qty. | Description           | Ref. | Part Number | Qty. | Description           |
|------|-------------|------|-----------------------|------|-------------|------|-----------------------|
| 1    | 105-3871    | 1    | Tube ASM              | 11   | 110-0474    | 1    | Tube ASM              |
| 1:1  | 237-22      | 1    | O-Ring                | 12   | 92-7606-03  | 1    | Bracket-Bulkhead      |
| 2    | 105-3870    | 1    | Tube ASM              | 13   | 105-9817    | 1    | Hose ASM              |
| 2:1  | 237-22      | 1    | O-Ring                | 14   | 92-7539     | 1    | Hose ASM              |
| 3    | 110-0477    | 1    | Tube ASM              | 15   | 105-3873-03 | 1    | Bracket-Mount, Clamp  |
| 4    | 340-68      | 1    | Fitting-Tee, Bulkhead | 16   | 340-117     | 1    | Cap                   |
| 4:1  | 237-22      | 3    | O-Ring                | 19   | 340-70      | 7    | Nut-Lock              |
| 5    | 105-3886    | 1    | Tube ASM              | 20   | 56-7973     | 14   | Clamp-Tube            |
| 6    | 94-3060     | 1    | HYD Tube ASM          | 32   | 322-6       | 3    | Screw-HH              |
| 6:1  | 237-22      | 1    | O-Ring                | 33   | 322-7       | 4    | Screw-HH              |
| 7    | 94-3071     | 1    | HYD Tube ASM          | 37   | 32128-20    | 2    | Nut-HF                |
| 7:1  | 237-22      | 1    | O-Ring                | 38   | 3234-5      | 2    | Screw-HHF             |
| 8    | 94-3059     | 1    | HYD Tube ASM          | 39   | 3256-23     | 7    | Washer-Flat           |
| 8:1  | 237-22      | 1    | O-Ring                | 40   | 3296-29     | 4    | Nut-Lock, NI          |
| 9    | 94-3061     | 1    | HYD Tube ASM          | 41   | 105-3993-03 | 1    | Bracket-Support, Tube |
| 9:1  | 237-22      | 1    | O-Ring ●              | 42   | 32144-14    | 2    | Screw-HWHTF           |
| 10   | 94-3062     | 1    | HYD Tube ASM          | 43   | 2412-138    | 1    | R-Clamp               |

● Not illustrated



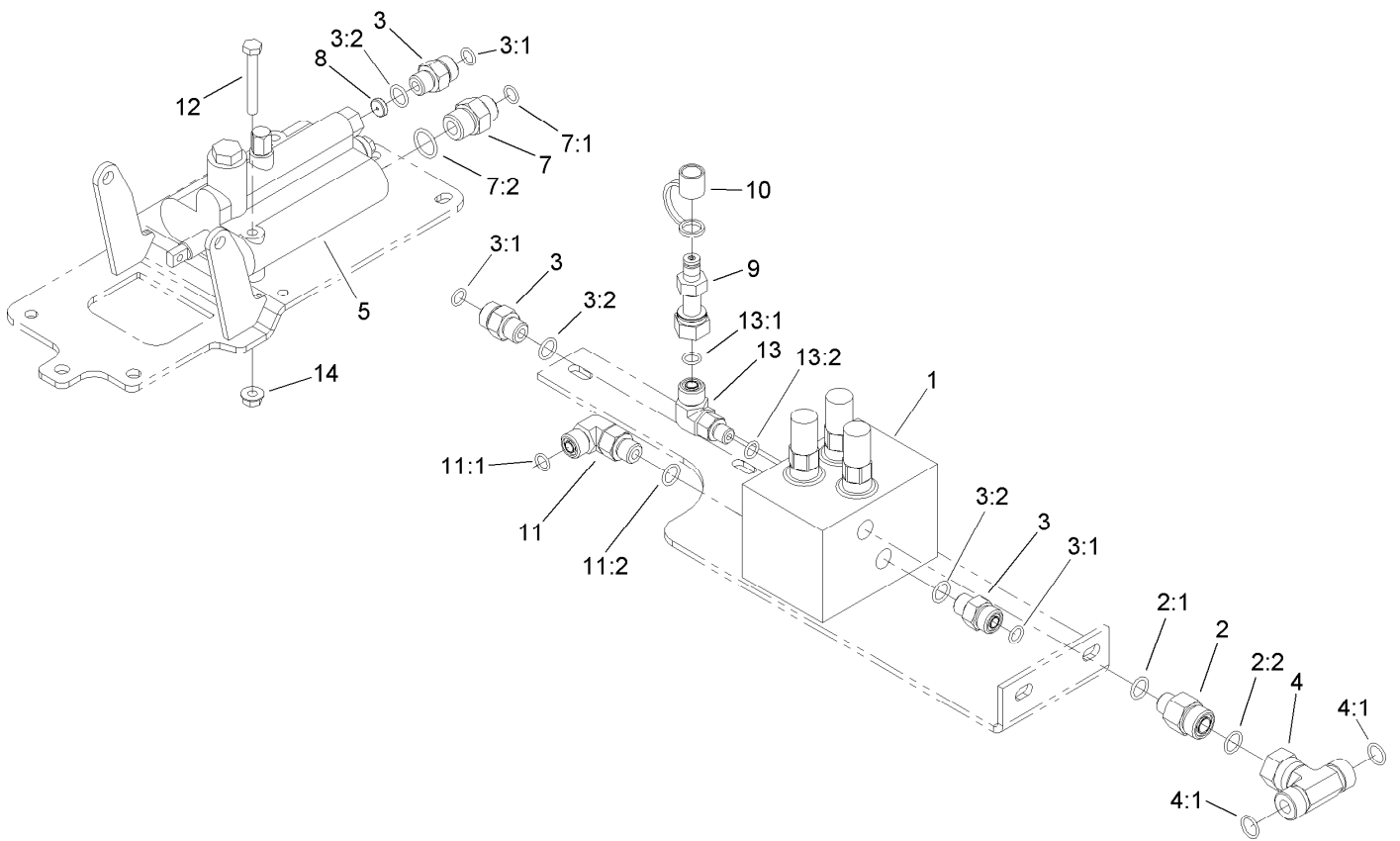
## Mow Block Hydraulic Line Assembly

| Ref. | Part Number | Qty. | Description           | Ref. | Part Number | Qty. | Description              |
|------|-------------|------|-----------------------|------|-------------|------|--------------------------|
| 1    | 104-5483    | 2    | Hose ASM              | 17   | 105-3902    | 1    | Tube ASM                 |
| 2    | 104-5488    | 1    | Tube ASM              | 17:1 | 237-65      | 1    | O-Ring                   |
| 2:1  | 340-65      | 1    | O-Ring                | 18   | 105-3911    | 1    | Tube ASM                 |
| 5    | 105-9862    | 1    | Tube ASM              | 19   | 105-3901    | 1    | Tube ASM                 |
| 5:1  | 237-22      | 2    | O-Ring                | 19:1 | 237-65      | 2    | O-Ring                   |
| 6    | 105-3895    | 1    | Tube ASM              | 21   | 105-3900    | 1    | Tube ASM                 |
| 6:1  | 237-65      | 1    | O-Ring                | 21:1 | 237-65      | 2    | O-Ring                   |
| 7    | 105-3885    | 1    | Tube ASM              | 23   | 110-0473    | 1    | Tube ASM                 |
| 8    | 105-3893    | 1    | Tube ASM              | 23:1 | 340-65      | 1    | O-Ring                   |
| 8:1  | 237-65      | 1    | O-Ring                | 24   | 340-154     | 2    | Union-Bulkhead           |
| 9    | 105-3894    | 1    | Tube ASM              | 24:1 | 237-22      | 2    | O-Ring                   |
| 9:1  | 237-65      | 1    | O-Ring                | 25   | 56-7971     | 4    | Clamp-Tube               |
| 10   | 69-9000     | 9    | Spacer                | 26   | 340-128     | 2    | Nut-Bulkhead             |
| 11   | 240-3       | 9    | Grommet-Rubber        | 27   | 340-70      | 4    | Nut-Lock                 |
| 12   | 340-74      | 9    | Nut-Lock, Bulkhead    | 28   | 322-8       | 1    | Screw-HH                 |
| 13   | 69-9010     | 18   | Washer                | 29   | 3256-23     | 4    | Washer-Flat              |
| 14   | 340-68      | 1    | Fitting-Tee, Bulkhead | 30   | 3296-29     | 2    | Nut-Lock, NI             |
| 14:1 | 237-22      | 3    | O-Ring                | 31   | 322-13      | 1    | Screw-HH                 |
| 15   | 105-3914    | 1    | Tube ASM              | 32   | 56-7973     | 2    | Clamp-Tube               |
| 15:1 | 237-22      | 1    | O-Ring                | 33   | 340-72      | 1    | Fitting-Bulkhead, 90 DEG |
| 16   | 108-6063    | 1    | Front Drain Tube ASM  | 33:1 | 237-65      | 2    | O-Ring                   |
| 16:1 | 237-22      | 2    | O-Ring                |      |             |      |                          |



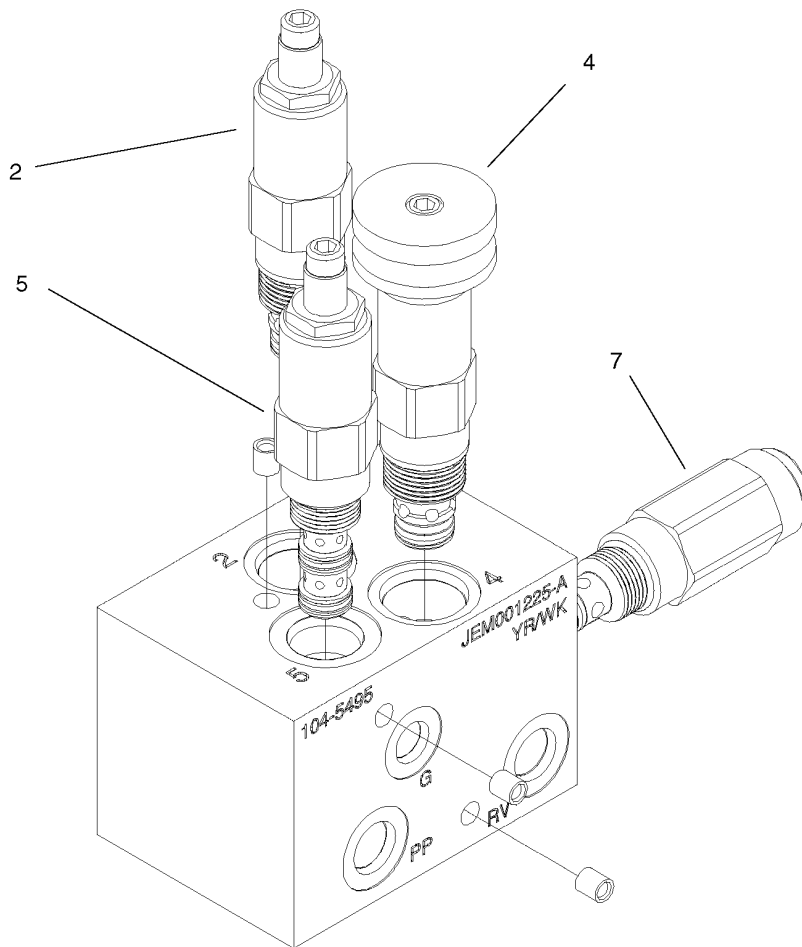
## Hydraulic Lift Line Assembly

| Ref. | Part Number | Qty. | Description           |
|------|-------------|------|-----------------------|
| 1    | 105-9238    | 4    | Hose ASM              |
| 2    | 105-3988    | 1    | Tube ASM              |
| 2:1  | 237-22      | 1    | O-Ring                |
| 6    | 105-3860    | 1    | Tube ASM              |
| 7    | 105-3989    | 1    | Tube ASM              |
| 7:1  | 237-22      | 1    | O-Ring                |
| 8    | 105-3928    | 1    | Tube ASM              |
| 9    | 105-3916    | 1    | Tube ASM              |
| 10   | 105-3917    | 1    | Tube ASM              |
| 12   | 105-9249    | 1    | Tube ASM              |
| 15   | 105-3990-03 | 1    | Bracket-Support, Tube |
| 17   | 340-70      | 2    | Nut-Lock              |
| 18   | 105-9838    | 1    | Hose ASM              |
| 19   | 3334-945    | 1    | Tie-Cable             |
| 22   | 56-7973     | 4    | Clamp-Tube            |
| 23   | 322-7       | 2    | Screw-HH              |
| 24   | 3256-23     | 3    | Washer-Flat           |
| 25   | 3296-29     | 2    | Nut-Lock, NI          |
| 26   | 3234-11     | 1    | Screw-HHF             |
| 27   | 104-8301    | 1    | Nut-Flange, NI        |



## Lift Valve and Counter Balance Assembly

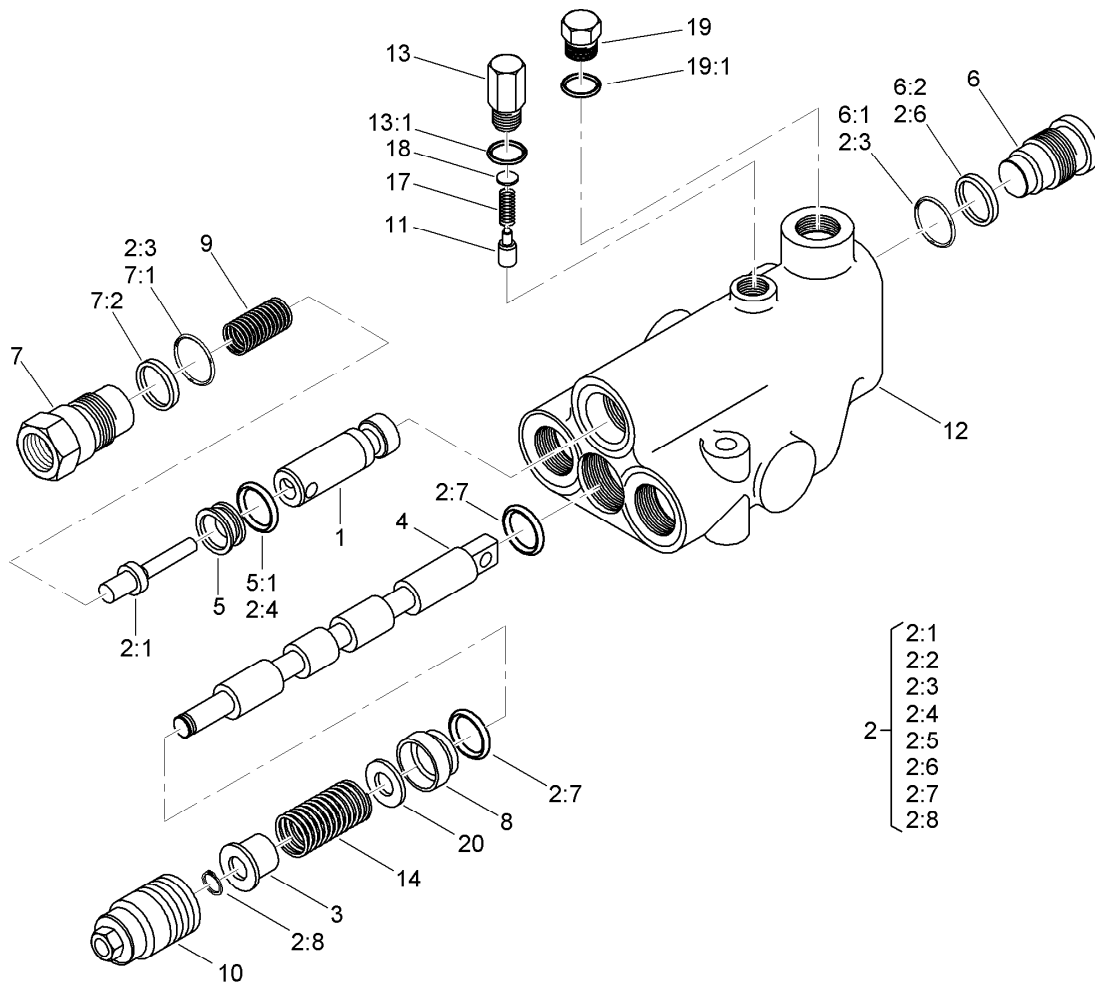
| Ref. | Part Number | Qty. | Description           |
|------|-------------|------|-----------------------|
| 1    | 104-5495    | 1    | Manifold ASM          |
| 2    | 340-5       | 1    | Fitting-Straight      |
| 2:1  | 237-42      | 1    | O-Ring                |
| 2:2  | 237-30      | 1    | O-Ring                |
| 3    | 340-2       | 3    | Fitting-HYD, Straight |
| 3:1  | 237-22      | 1    | O-Ring                |
| 3:2  | 237-42      | 1    | O-Ring                |
| 4    | 93-6810     | 1    | Fitting-Tee           |
| 4:1  | 237-30      | 2    | O-Ring                |
| 5    | 112-5254    | 1    | Valve-Single Spool    |
| 7    | 340-3       | 2    | Adapter               |
| 7:1  | 237-22      | 1    | O-Ring                |
| 7:2  | 237-79      | 1    | O-Ring                |
| 8    | 84-6402     | 1    | Disc-Orifice          |
| 9    | 86-5480     | 1    | Nipple-Test           |
| 10   | 354-79      | 1    | Cap-Dust              |
| 11   | 340-77      | 1    | Fitting-HYD, 90 DEG   |
| 11:1 | 237-22      | 1    | O-Ring                |
| 11:2 | 237-42      | 1    | O-Ring                |
| 12   | 321-11      | 2    | Screw-HH              |
| 13   | 340-97      | 1    | Fitting-HYD, 90 DEG   |
| 13:1 | 237-22      | 1    | O-Ring                |
| 13:2 | 237-78      | 1    | O-Ring                |
| 14   | 32128-33    | 2    | Nut-HF                |



## Manifold Assembly No. 104-5495

| <i>Ref.</i> | <i>Part Number</i> | <i>Qty.</i> | <i>Description</i>        |
|-------------|--------------------|-------------|---------------------------|
| 2           | 105-9161           | 1           | Relief-Operated, Pilot    |
| 2:1         | 105-9151           | 1           | Seal Kit ●                |
| 4           | 105-9162           | 1           | Relief-Operated, Pilot    |
| 4:1         | 105-9151           | 1           | Seal Kit ●                |
| 5           | 105-9163           | 1           | Valve-Pilot Sequence, EXT |
| 5:1         | 105-9164           | 1           | Seal Kit ●                |
| 7           | 105-9844           | 1           | Valve-Relief              |
| 7:2         | 105-9156           | 1           | Seal Kit ●                |

● Not illustrated



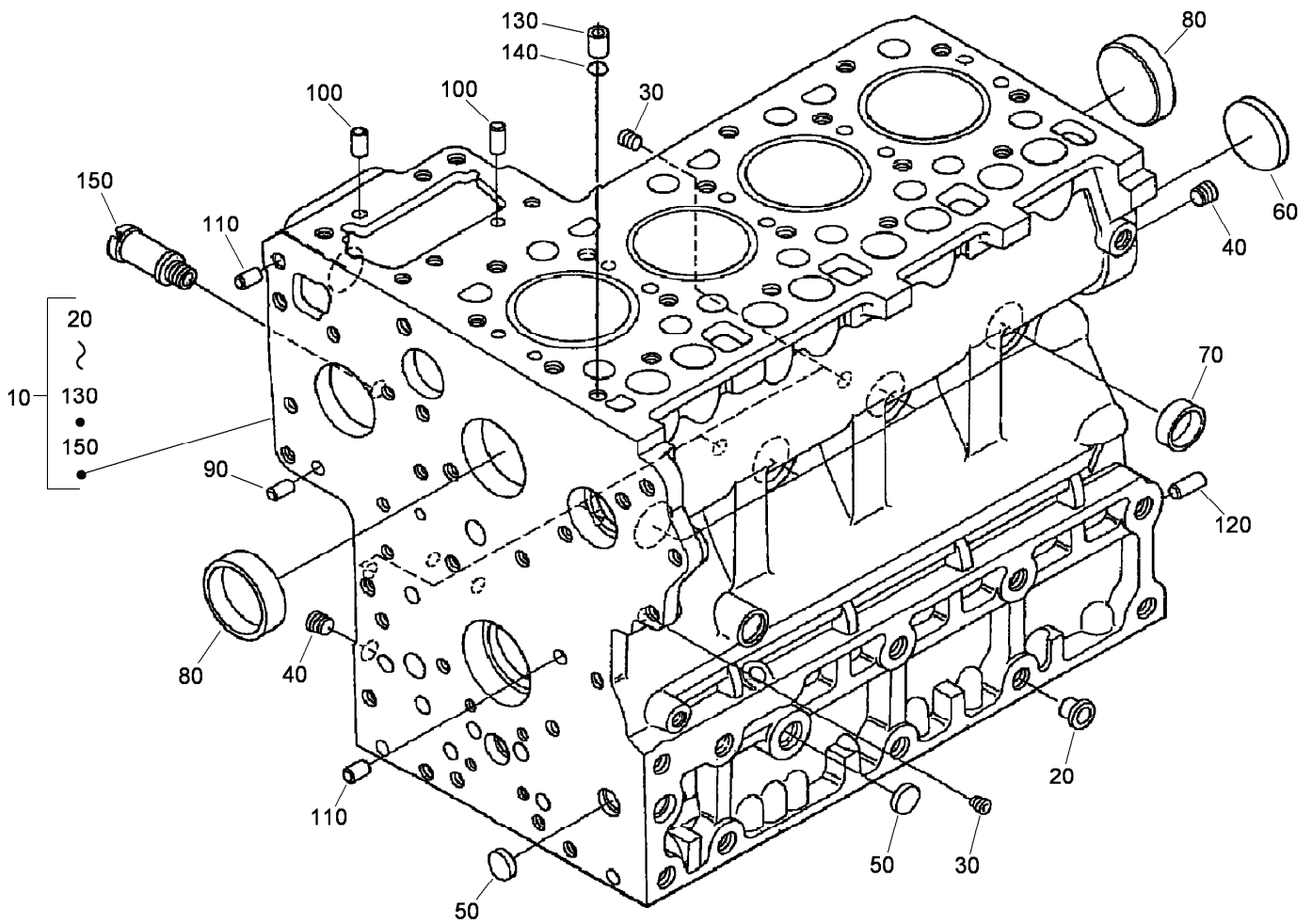
## Single Spool Valve Assembly No. 112-5254

| Ref. | Part Number | Qty. | Description    |
|------|-------------|------|----------------|
| 1    | 84-6420     | 1    | Plunger        |
| 2    | 99-3589     | 1    | Seal Kit       |
| 2:1  | 58-6290     | 2    | Poppet         |
| 2:2  | 58-6320     | 1    | Wiper          |
| 2:3  | 60-5720     | 2    | O-Ring         |
| 2:4  | 58-6340     | 2    | O-Ring         |
| 2:5  | 93-6314     | 1    | O-Ring ●       |
| 2:6  | 58-6370     | 2    | Washer         |
| 2:7  | 58-6450     | 2    | O-Ring         |
| 2:8  | 58-6460     | 1    | Ring-Retaining |
| 3    | 58-6310     | 1    | Spacer         |
| 4    |             | 1    | Spool ■        |
| 5    | 58-6330     | 1    | Seat           |
| 5:1  | 58-6340     | 1    | O-Ring         |
| 6    | 58-6350     | 1    | Plug           |
| 6:1  | 60-5720     | 1    | O-Ring         |
| 6:2  | 58-6370     | 1    | Washer         |

| Ref. | Part Number | Qty. | Description |
|------|-------------|------|-------------|
| 7    | 69-1800     | 1    | Plug ASM    |
| 7:1  | 60-5720     | 1    | O-Ring      |
| 7:2  | 58-6370     | 1    | Washer      |
| 8    | 58-6400     | 1    | Bushing     |
| 9    | 69-1810     | 1    | Spring      |
| 10   | 58-6420     | 1    | Cap         |
| 11   | 58-6770     | 1    | Plunger     |
| 12   |             | 1    | Body ■      |
| 13   | 58-6780     | 1    | Plug        |
| 13:1 | 58-6790     | 1    | O-Ring      |
| 14   | 58-6730     | 1    | Spring      |
| 17   | 58-6760     | 1    | Spring      |
| 18   | 60-6450     | 1    | Disc        |
| 19   | 353-508     | 1    | Plug-HH     |
| 19:1 | 237-42      | 1    | O-Ring      |
| 20   | 65-2770     | 1    | Washer      |

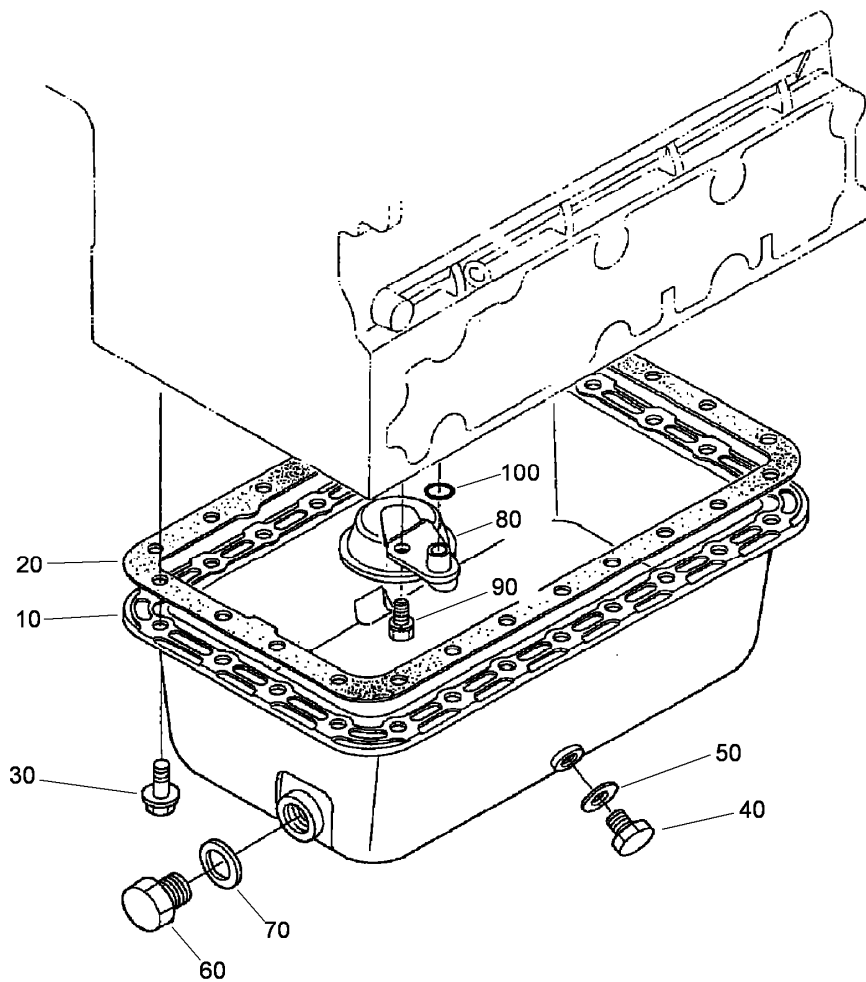
● Not illustrated

■ Not serviced separately



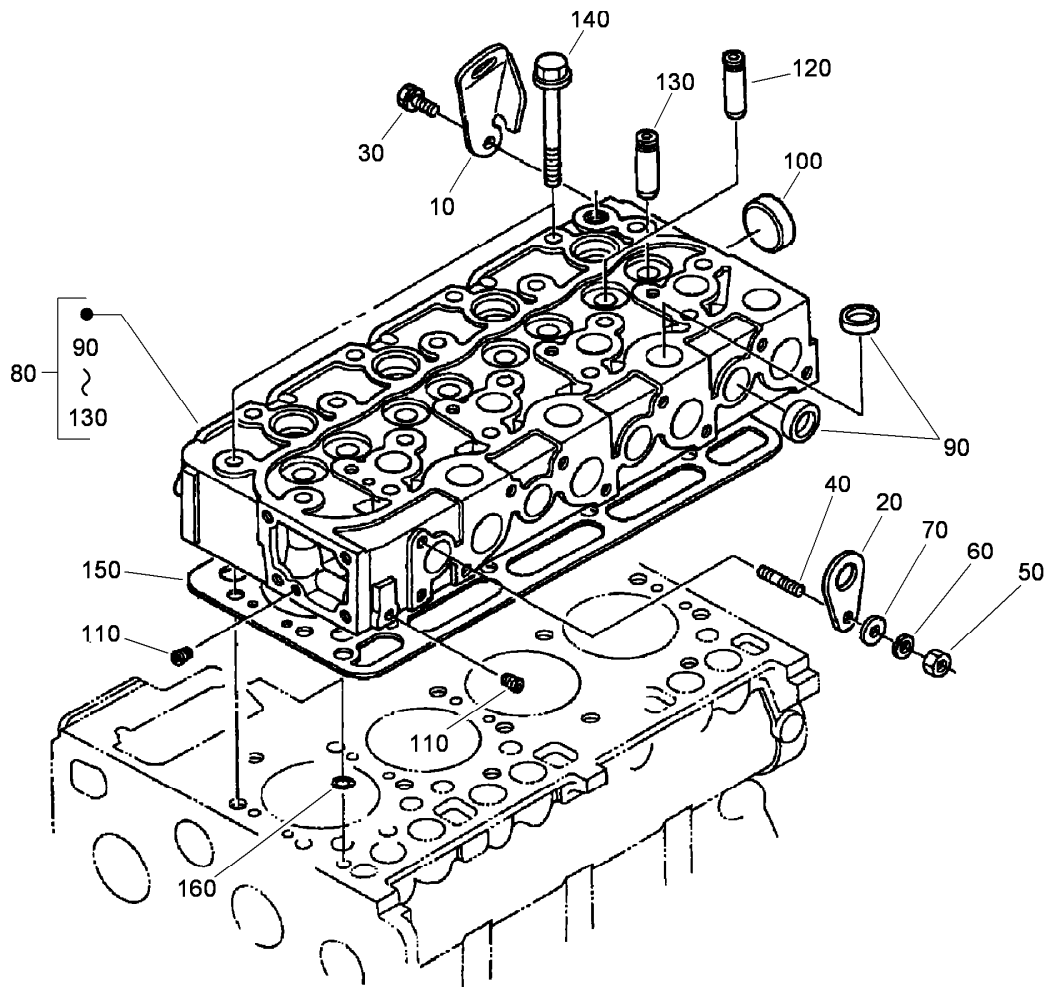
## Crankcase Assembly

| <i>Ref.</i> | <i>Part Number</i> | <i>Qty.</i> | <i>Description</i> |
|-------------|--------------------|-------------|--------------------|
| 10          | 108-7051           | 1           | Crankcase          |
| 20          | 98-7486            | 2           | Plug               |
| 30          | 98-7487            | 6           | Plug               |
| 40          | 107-0107           | 2           | Plug               |
| 50          | 98-9379            | 3           | Plug-Expansion     |
| 60          | 98-9668            | 1           | Plug-Expansion     |
| 70          | 98-7500            | 6           | Cap-Sealing        |
| 80          | 98-7501            | 2           | Cap-Sealing        |
| 90          | 98-7502            | 2           | Pin-Straight       |
| 100         | 98-7503            | 2           | Pin-Straight       |
| 110         | 98-7504            | 2           | Pin-Straight       |
| 120         | 98-7505            | 1           | Pin-Straight       |
| 130         | 98-7506            | 1           | Pin-Pipe           |
| 140         | 98-7509            | 1           | O-Ring             |
| 150         | 100-9153           | 1           | Pipe-Return, Water |



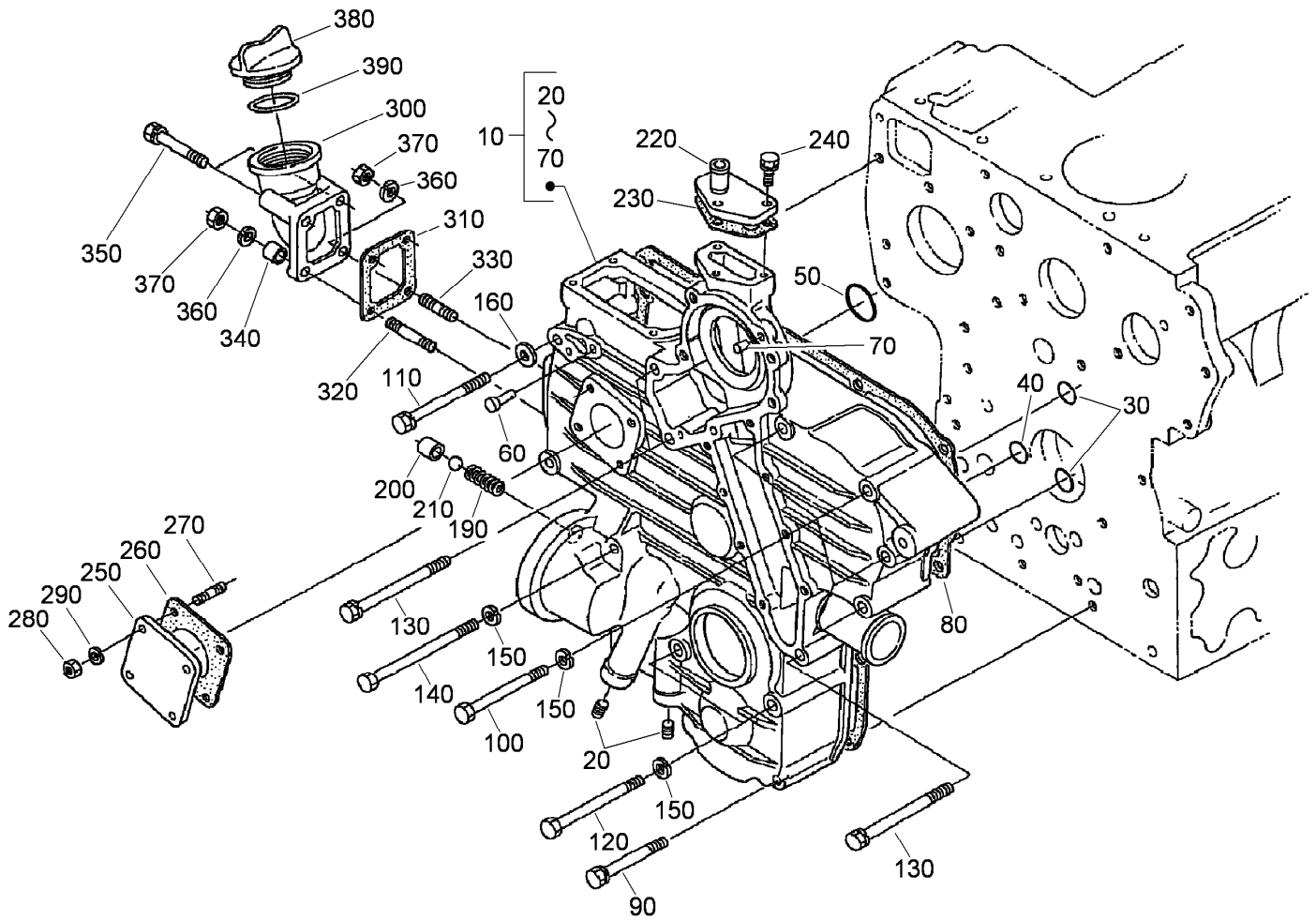
## Oil Pan Assembly

| <i>Ref.</i> | <i>Part Number</i> | <i>Qty.</i> | <i>Description</i> |
|-------------|--------------------|-------------|--------------------|
| 10          | 98-7520            | 1           | Pan-Oil            |
| 20          | 108-7053           | 1           | Gasket-Pan, Oil    |
| 30          | 110-6194           | 24          | Bolt-Flange        |
| 40          | 98-9386            | 1           | Plug               |
| 50          | 98-7524            | 1           | Gasket             |
| 60          | 98-7529            | 1           | Plug-Drain         |
| 70          | 98-7528            | 1           | O-Ring             |
| 80          | 98-7525            | 1           | Filter-Oil         |
| 90          | 98-7526            | 1           | Bolt               |
| 100         | 108-7054           | 1           | O-Ring             |



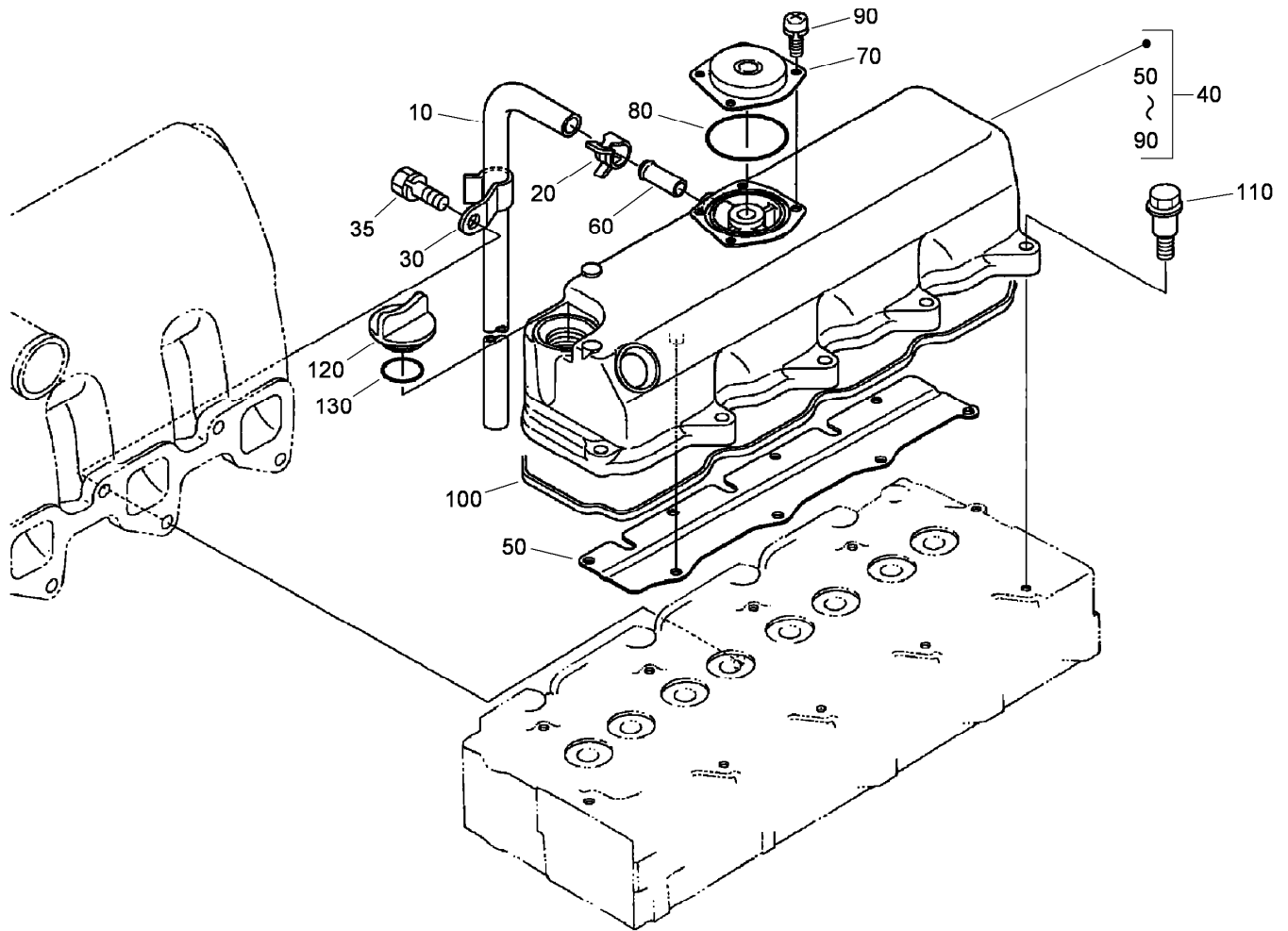
## Cylinder Head Assembly

| <i>Ref.</i> | <i>Part Number</i> | <i>Qty.</i> | <i>Description</i>    |
|-------------|--------------------|-------------|-----------------------|
| 10          | 98-7530            | 1           | Hook-Engine           |
| 20          | 98-7531            | 1           | Hook-Engine           |
| 30          | 98-7526            | 1           | Bolt                  |
| 40          | 100-1558           | 2           | Stud                  |
| 50          | 100-1558           | 1           | Stud                  |
| 60          | 105-2893           | 1           | Washer-Spring         |
| 70          | 98-7536            | 1           | Washer-Plain          |
| 80          | 108-7055           | 1           | Head-Cylinder         |
| 90          | 98-7538            | 12          | Cap-Sealing           |
| 100         | 98-7539            | 1           | Cap-Sealing           |
| 110         | 98-9687            | 2           | Plug                  |
| 120         | 98-7541            | 4           | Guide-Valve, Intake   |
| 130         | 98-7542            | 4           | Guide-Valve, Exhaust  |
| 140         | 98-7543            | 18          | Bolt-Head, Cylinder   |
| 150         | 100-9160           | 1           | Gasket-Head, Cylinder |
| 160         | 98-7509            | 1           | O-Ring                |



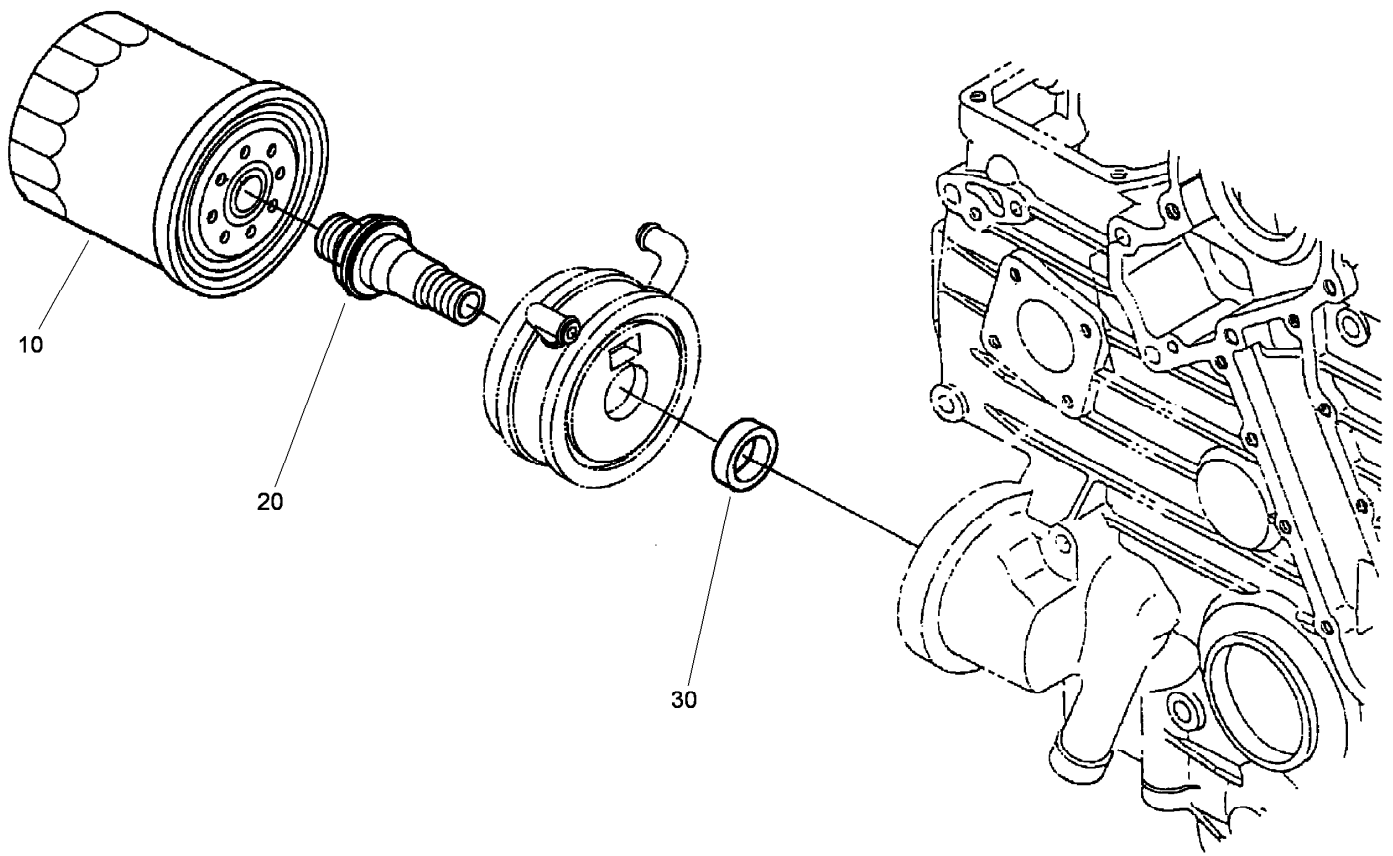
## Gear Case Assembly

| Ref. | Part Number | Qty. | Description        | Ref. | Part Number | Qty. | Description          |
|------|-------------|------|--------------------|------|-------------|------|----------------------|
| 10   | 112-8417    | 1    | Gearcase ASM       | 220  | 98-7566     | 1    | Flange-Return, Water |
| 20   | 107-0108    | 2    | Plug               | 230  | 98-7567     | 1    | Gasket               |
| 30   | 107-0104    | 2    | O-Ring             | 240  | 98-7568     | 3    | Bolt                 |
| 40   | 107-0105    | 1    | O-Ring             | 250  | 98-7569     | 1    | Cover                |
| 50   | 107-0106    | 1    | O-Ring             | 260  | 98-7570     | 1    | Gasket-Meter, Hour   |
| 60   | 98-7550     | 1    | Pin-Spring, Start  | 270  | 98-7571     | 4    | Stud                 |
| 70   | 98-7504     | 2    | Pin-Straight       | 280  | 98-7572     | 4    | Nut                  |
| 80   | 98-7552     | 1    | Packing-Case, Gear | 290  | 98-7699     | 4    | Washer-Spring        |
| 90   | 98-7553     | 2    | Bolt               | 300  | 100-9162    | 1    | Flange-Filter, Oil   |
| 100  | 99-8336     | 5    | Bolt               | 310  | 100-9163    | 1    | Gasket               |
| 110  | 98-7555     | 1    | Bolt               | 320  | 98-7571     | 1    | Stud                 |
| 120  | 98-7556     | 2    | Bolt               | 330  | 100-9164    | 1    | Stud                 |
| 130  | 98-7557     | 3    | Bolt               | 340  | 100-9165    | 1    | Collar               |
| 140  | 98-7558     | 2    | Bolt               | 350  | 107-9073    | 2    | Bolt                 |
| 150  | 105-2893    | 9    | Washer-Spring      | 360  | 98-7699     | 2    | Washer-Spring        |
| 160  | 98-7536     | 1    | Washer-Plain       | 370  | 98-7572     | 2    | Nut                  |
| 190  | 98-7563     | 1    | Spring             | 380  | 98-7429     | 1    | Plug-Filter, Oil     |
| 200  | 98-7564     | 1    | Seat-Valve         | 390  | 108-7064    | 1    | O-Ring               |
| 210  | 98-7565     | 1    | Ball               |      |             |      |                      |



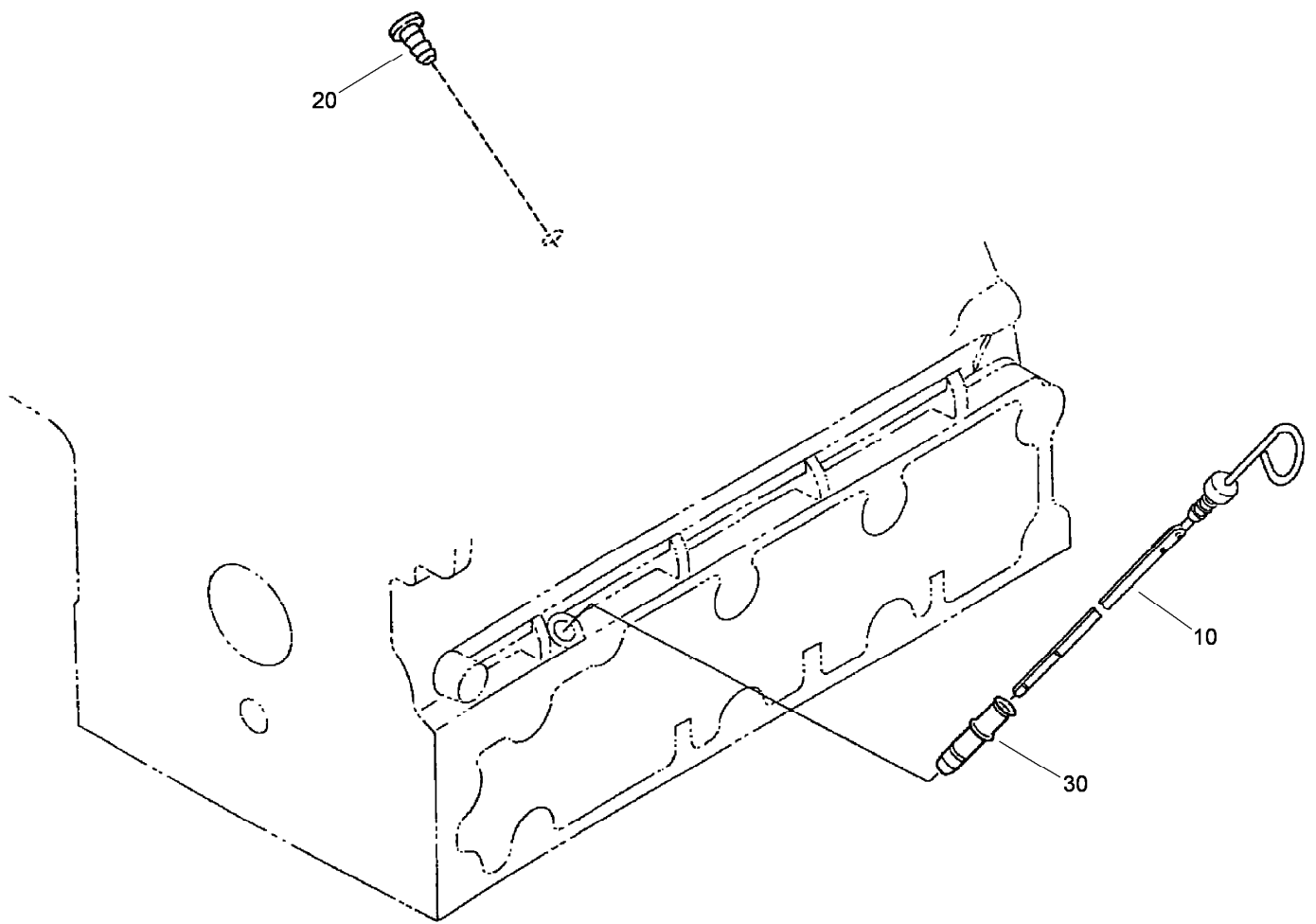
## Head Cover Assembly

| <i>Ref.</i> | <i>Part Number</i> | <i>Qty.</i> | <i>Description</i>      |
|-------------|--------------------|-------------|-------------------------|
| 10          | 108-7056           | 1           | Tube-Breather           |
| 20          | 108-2859           | 1           | Clamp-Hose              |
| 30          | 108-7057           | 1           | Clamp-Tube, Breather    |
| 35          | 98-7610            | 1           | Bolt                    |
| 40          | 108-7058           | 1           | Cylinder Head Cover ASM |
| 50          | 108-7059           | 1           | Shield-Breather         |
| 60          | 98-7766            | 1           | Pipe-Return, Water      |
| 70          | 108-7060           | 1           | Cover-Breather          |
| 80          | 108-7061           | 1           | O Ring-Breather         |
| 90          | 98-9364            | 4           | Screw (With Washer)     |
| 100         | 108-7062           | 1           | Gasket-Cover, Head      |
| 110         | 108-7063           | 10          | Bolt                    |
| 120         | 98-7429            | 1           | Plug-Filter, Oil        |
| 130         | 108-7064           | 1           | O-Ring                  |



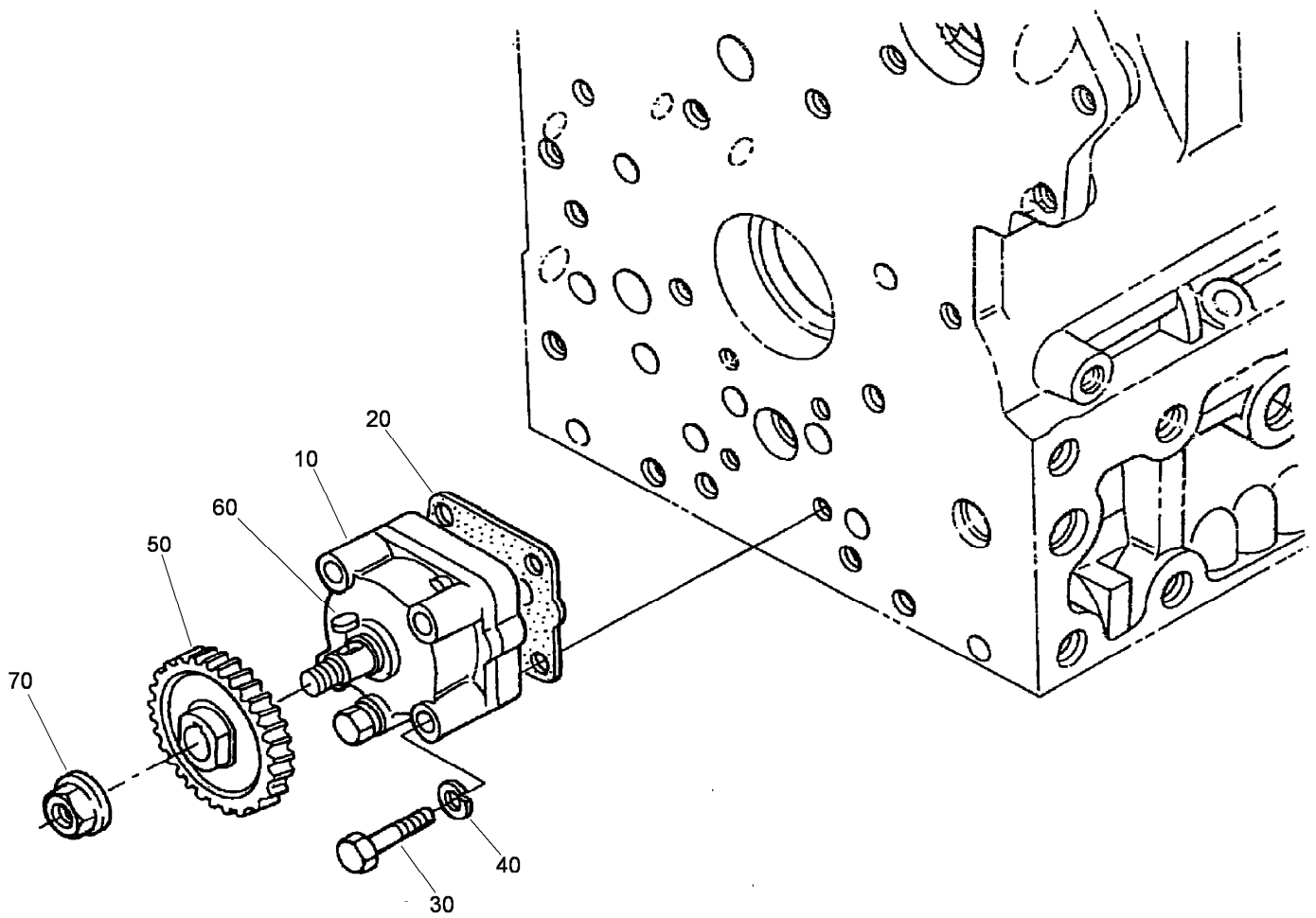
## Oil Filter Assembly

| <i>Ref.</i> | <i>Part Number</i> | <i>Qty.</i> | <i>Description</i> |
|-------------|--------------------|-------------|--------------------|
| 10          | 104-5169           | 1           | Filter-Oil         |
| 20          | 100-9166           | 1           | Connector          |
| 30          | 100-9167           | 1           | Collar             |



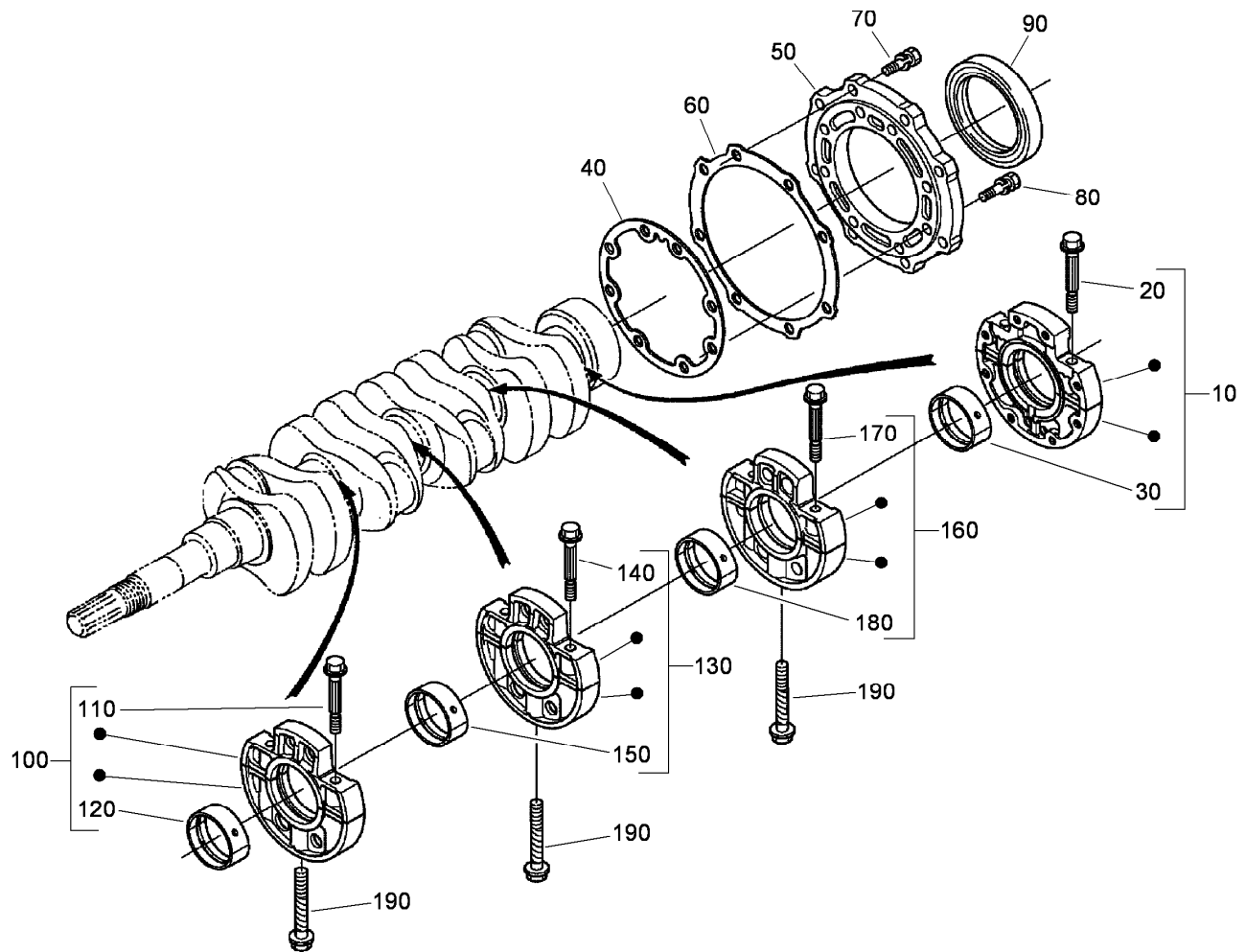
## Dipstick and Oil Guide Assembly

| <i>Ref.</i> | <i>Part Number</i> | <i>Qty.</i> | <i>Description</i>    |
|-------------|--------------------|-------------|-----------------------|
| 10          | 105-4579           | 1           | Gauge-Oil             |
| 20          | 100-9169           | 1           | *obs* Plug-Gauge, Oil |
| 30          | 105-4580           | 1           | Guide-Gauge, Oil      |



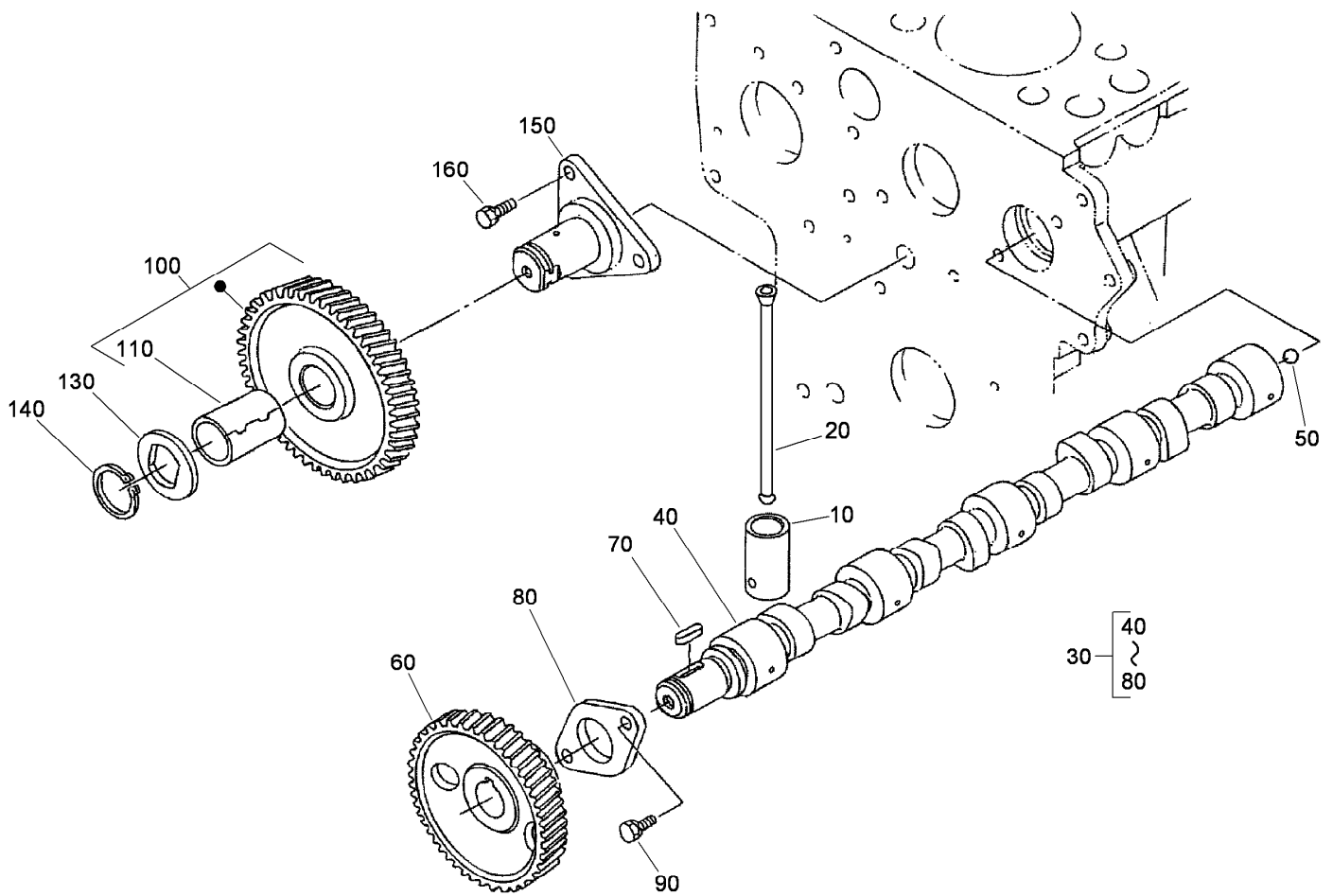
## Oil Pump Assembly

| <i>Ref.</i> | <i>Part Number</i> | <i>Qty.</i> | <i>Description</i>   |
|-------------|--------------------|-------------|----------------------|
| 10          | 100-9170           | 1           | Oil Pump ASM         |
| 20          | 98-7513            | 1           | Gasket-Pump, Oil     |
| 30          | 98-7514            | 4           | Bolt                 |
| 40          | 98-7699            | 4           | Washer-Spring        |
| 50          | 98-7516            | 1           | Gear-Drive, Oil Pump |
| 60          | 98-7517            | 1           | Key-Feather          |
| 70          | 98-7518            | 1           | Nut-Flange           |



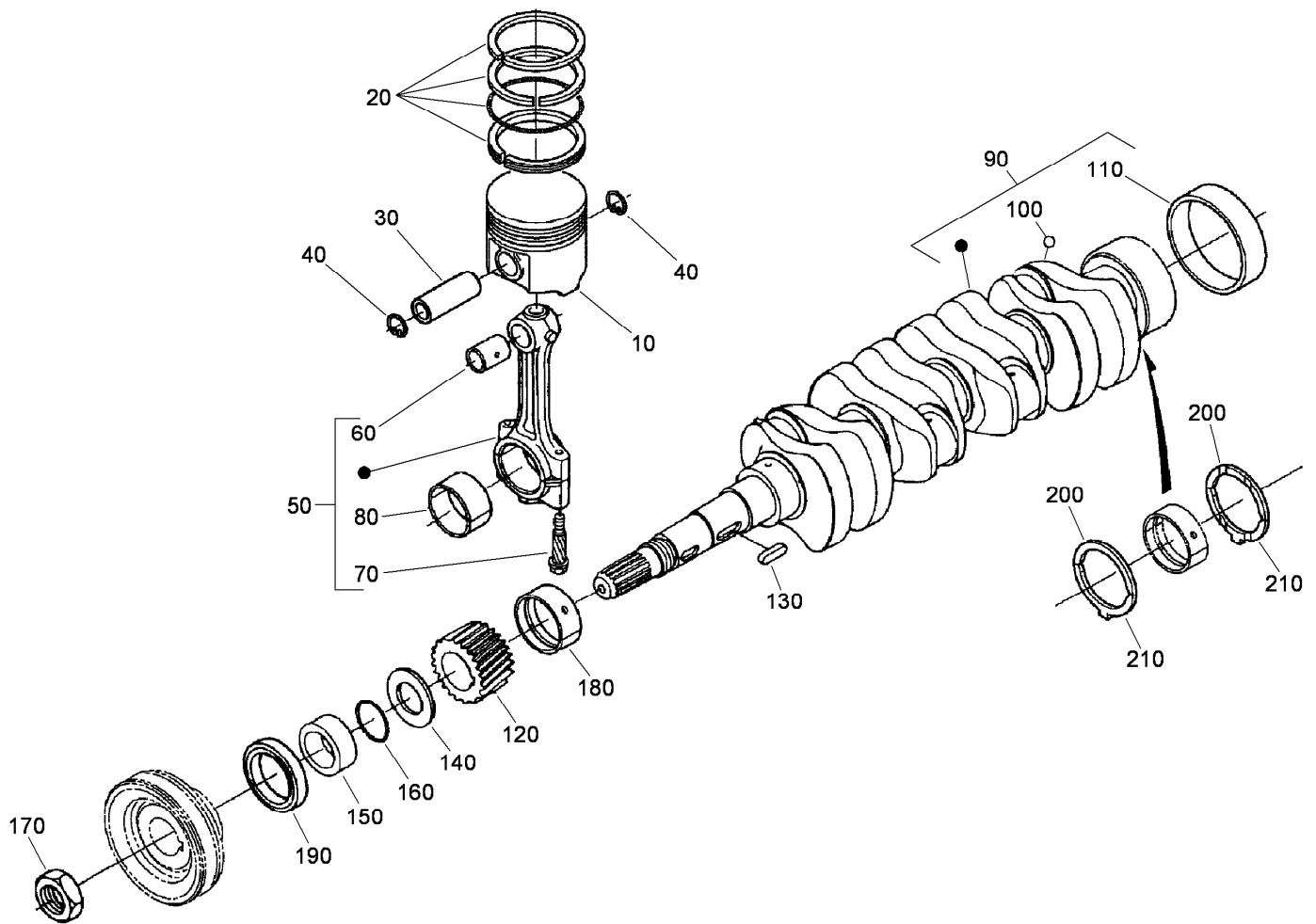
## Main Bearing Case

| <i>Ref.</i> | <i>Part Number</i> | <i>Qty.</i> | <i>Description</i>         | <i>Ref.</i> | <i>Part Number</i> | <i>Qty.</i> | <i>Description</i>         |
|-------------|--------------------|-------------|----------------------------|-------------|--------------------|-------------|----------------------------|
| 10          | 108-7065           | 1           | Wheel Bearing Case ASM     | 120         | 108-7069           | 1           | Metal-Crankshaft (-0.40Mm) |
| 20          | 108-7066           | 2           | Bolt-Case, Bearing         | 120         | 108-7068           | 1           | Metal-Crankshaft (-0.20Mm) |
| 30          | 108-7069           | 1           | Metal-Crankshaft (-0.40Mm) | 120         | 108-7067           | 1           | Metal-Crankshaft (STD)     |
| 30          | 108-7068           | 1           | Metal-Crankshaft (-0.20Mm) | 130         | 108-7074           | 1           | Main Bearing Case ASM      |
| 30          | 108-7067           | 1           | Metal-Crankshaft (STD)     | 140         | 108-7066           | 2           | Bolt-Case, Bearing         |
| 40          | 108-7070           | 1           | Gasket-Case, Bearing       | 150         | 108-7067           | 1           | Metal-Crankshaft (STD)     |
| 50          | 108-7071           | 1           | Cover-Case, Bearing        | 150         | 108-7068           | 1           | Metal-Crankshaft (-0.20Mm) |
| 60          | 98-7437            | 1           | Gasket-Case Cover, Bearing | 150         | 108-7069           | 1           | Metal-Crankshaft (-0.40Mm) |
| 70          | 98-7438            | 8           | Bolt                       | 160         | 108-7097           | 1           | Main Bearing Case ASM      |
| 80          | 98-7439            | 8           | Bolt                       | 170         | 108-7066           | 2           | Bolt-Case, Bearing         |
| 90          | 108-7072           | 1           | Seal-Oil                   | 180         | 108-7069           | 1           | Metal-Crankshaft (-0.40Mm) |
| 100         | 108-7073           | 1           | Main Bearing Case ASM      | 180         | 108-7068           | 1           | Metal-Crankshaft (-0.20Mm) |
| 110         | 108-7066           | 2           | Bolt-Case, Bearing         | 180         | 108-7067           | 1           | Metal-Crankshaft (STD)     |
|             |                    |             |                            | 190         | 98-7444            | 3           | Bolt-Case, Bearing         |



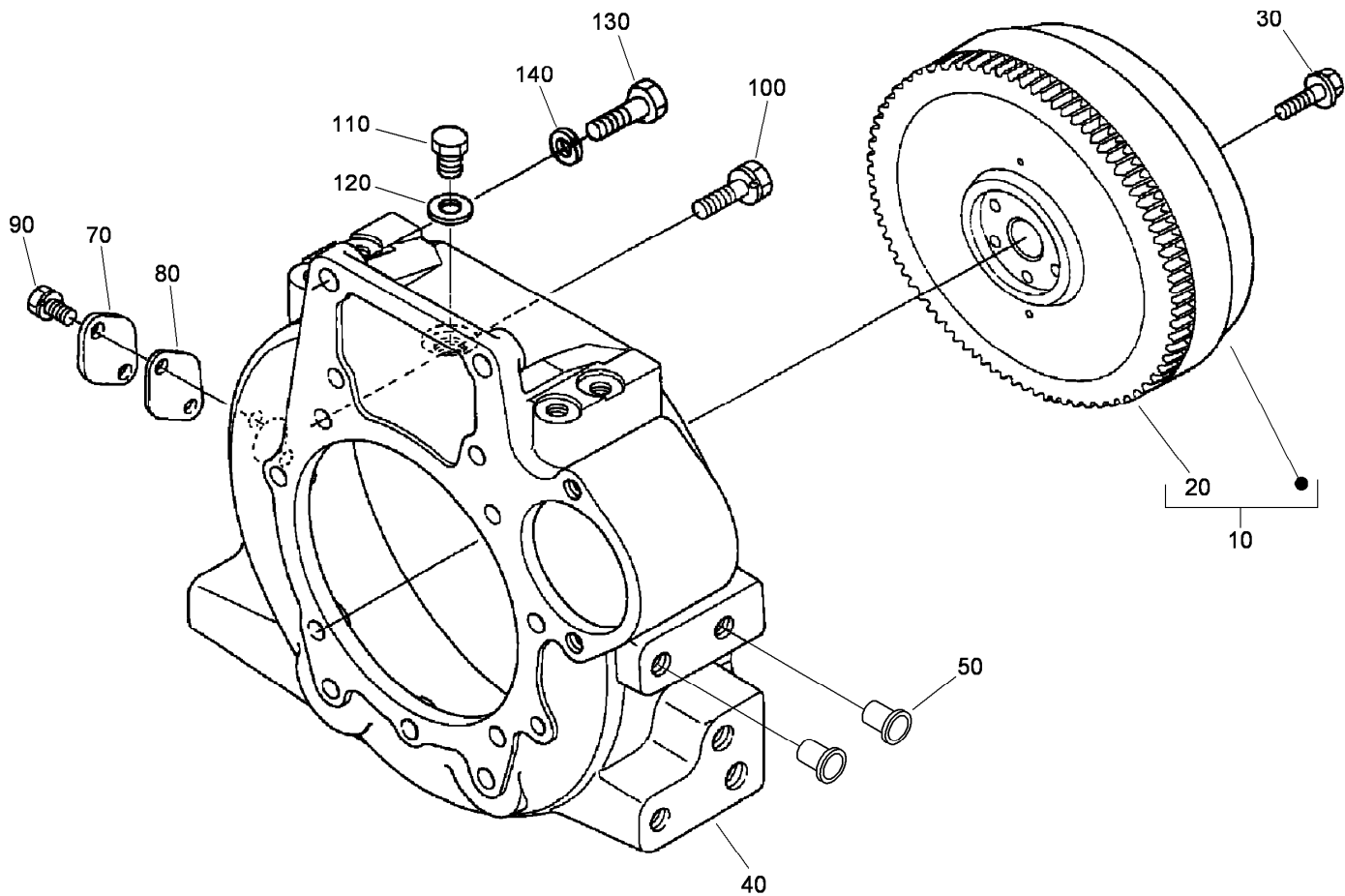
## Camshaft and Idler Gear Shaft Assembly

| <i>Ref.</i> | <i>Part Number</i> | <i>Qty.</i> | <i>Description</i>  |
|-------------|--------------------|-------------|---------------------|
| 10          | 98-7445            | 8           | Tappet              |
| 20          | 98-7446            | 8           | Rod-Push            |
| 30          | 100-9179           | 1           | Camshaft ASM        |
| 40          |                    | 1           | Camshaft            |
| 50          | 110-3729           | 1           | Ball                |
| 60          | 98-7450            | 1           | Gear-Camshaft       |
| 70          | 98-7451            | 1           | Key-Feather         |
| 80          | 98-7452            | 1           | Stopper-Camshaft    |
| 90          | 98-7453            | 2           | Bolt                |
| 100         | 107-0109           | 1           | Gear-Idler          |
| 110         | 98-7455            | 1           | Bushing-Gear, Idler |
| 130         | 107-0111           | 1           | Collar              |
| 140         | 107-0112           | 1           | Circlip-External    |
| 150         | 107-0113           | 1           | Shaft-Gear, Idler   |
| 160         | 98-7453            | 3           | Bolt                |



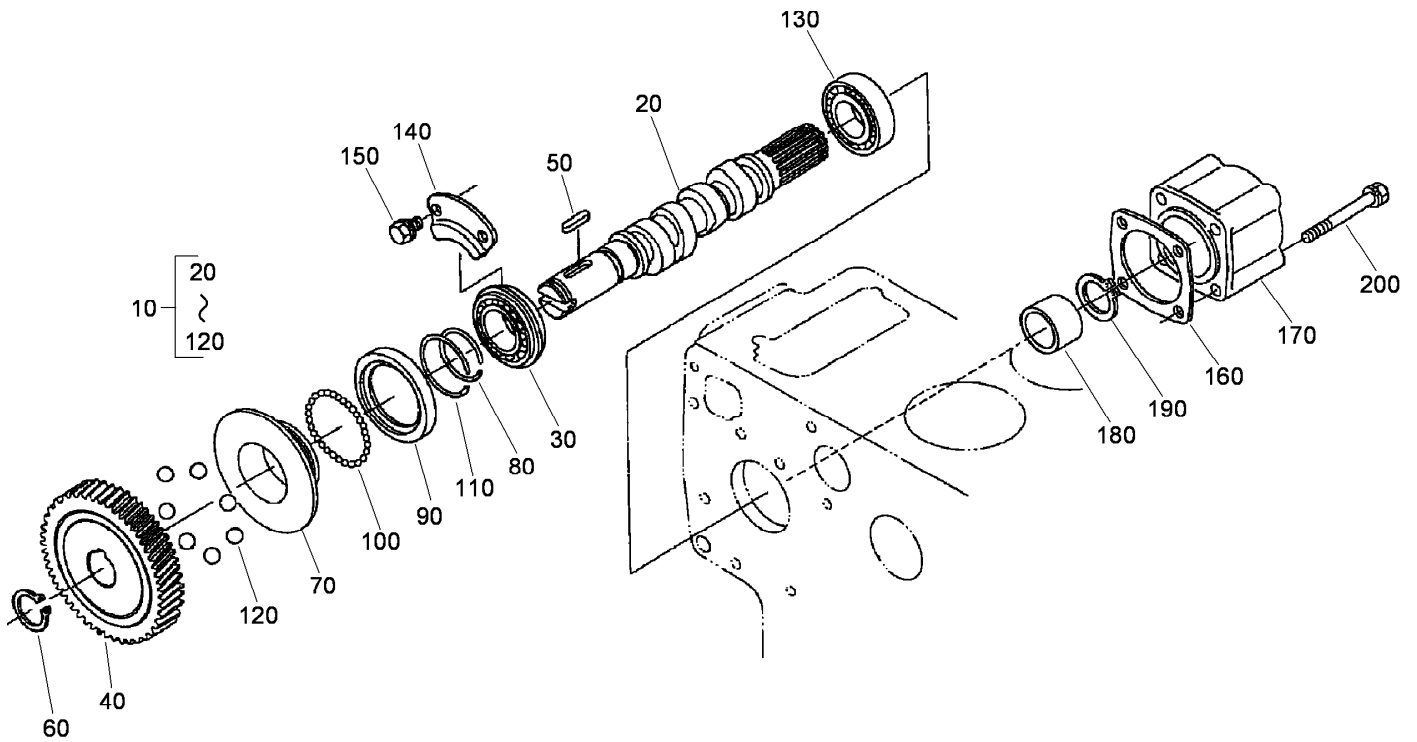
## Piston and Crankshaft Assembly

| <i>Ref.</i> | <i>Part Number</i> | <i>Qty.</i> | <i>Description</i>       | <i>Ref.</i> | <i>Part Number</i> | <i>Qty.</i> | <i>Description</i>         |
|-------------|--------------------|-------------|--------------------------|-------------|--------------------|-------------|----------------------------|
| 10          | 112-7000           | 4           | Piston ASM               | 120         | 98-7475            | 1           | Gear-Crankshaft            |
| 10          | 112-8407           | 1           | Piston ASM               | 130         | 98-7451            | 1           | Key-Feather                |
| 20          | 99-5436            | 1           | Piston Ring ASM (0.50Mm) | 140         | 98-7476            | 1           | Slinger-Oil                |
| 20          | 100-9182           | 4           | Piston Ring ASM (STD)    | 150         | 98-7477            | 1           | Collar-Crankshaft          |
| 30          | 98-7464            | 4           | Pin-Piston               | 160         | 98-7478            | 1           | O-Ring                     |
| 40          | 98-7465            | 8           | Clip-Pin, Piston         | 170         | 98-7479            | 1           | Nut-Crankshaft             |
| 50          | 98-7466            | 4           | Connecting Rod ASM       | 180         | 108-7077           | 1           | Metal-Crankshaft (-0.40Mm) |
| 60          | 98-7467            | 4           | Bushing-Pin, Piston      | 180         | 108-7075           | 1           | Metal-Crankshaft (STD)     |
| 70          | 98-7468            | 8           | Bolt-Rod, Connecting     | 180         | 108-7076           | 1           | Metal-Crankshaft (-0.20Mm) |
| 80          | 98-7471            | 4           | Metal-Crankpin (-0.40Mm) | 190         | 98-7480            | 1           | Seal-Oil                   |
| 80          | 98-7470            | 4           | Metal-Crankpin (-0.20Mm) | 200         | 108-7080           | 2           | Metal-Side (+0.40Mm)       |
| 80          | 98-7469            | 4           | Metal-Crankpin (STD)     | 200         | 108-7079           | 2           | Metal-Side (+0.20Mm)       |
| 90          | 110-6195           | 1           | Crankshaft-Complete      | 200         | 108-7078           | 2           | Metal-Side (STD)           |
| 90          | 98-7472            | 1           | Crankshaft-Complete      | 210         | 108-7083           | 2           | Metal-Side (+0.40Mm)       |
| 100         | 110-3729           | 4           | Ball                     | 210         | 108-7082           | 2           | Metal-Side (+0.20Mm)       |
| 110         | 98-7474            | 1           | Sleeve-Crankshaft        | 210         | 108-7081           | 2           | Metal-Side (STD)           |



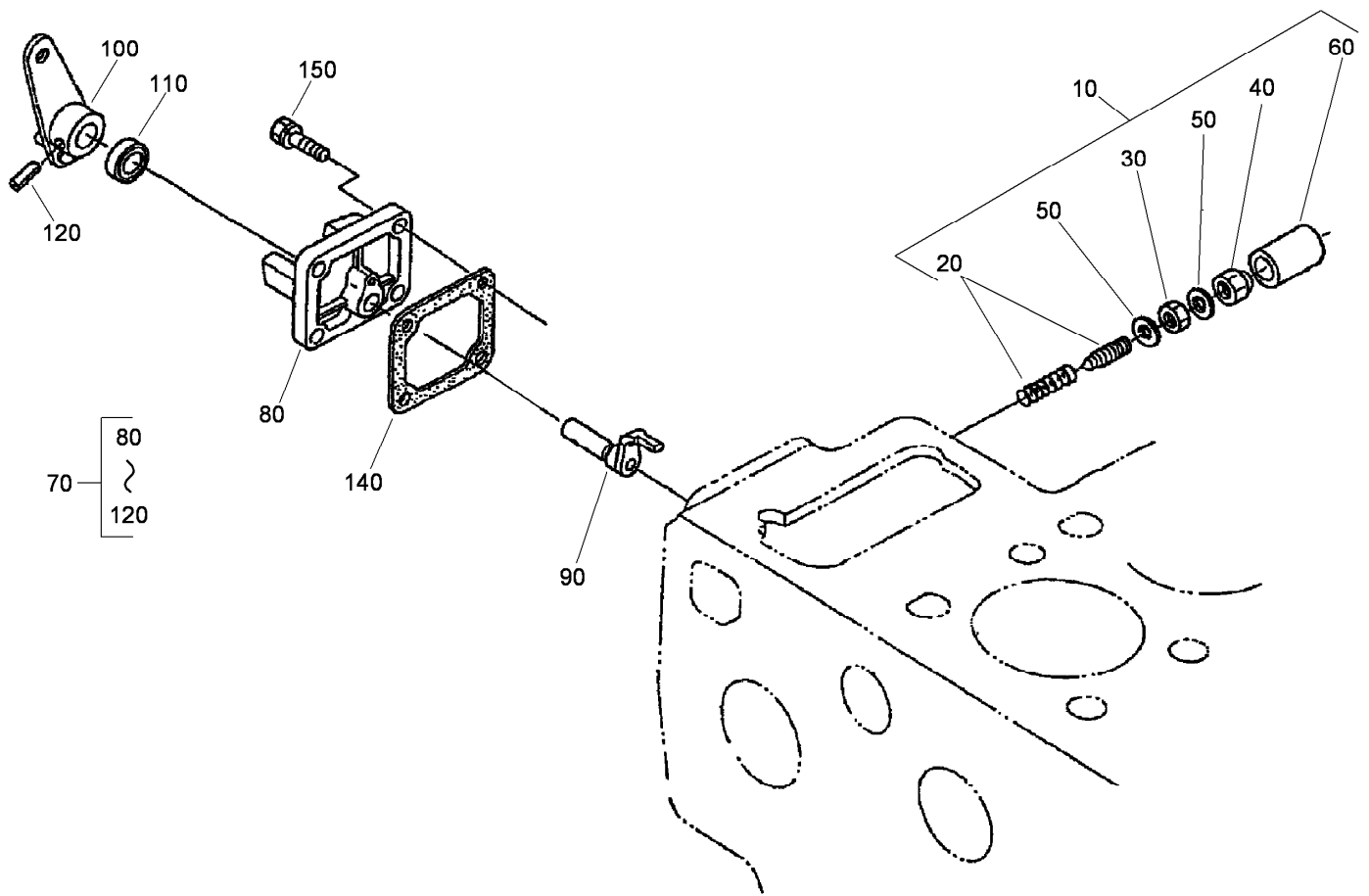
## Flywheel Assembly

| <i>Ref.</i> | <i>Part Number</i> | <i>Qty.</i> | <i>Description</i> |
|-------------|--------------------|-------------|--------------------|
| 10          | 98-7532            | 1           | Flywheel           |
| 20          | 98-7560            | 1           | Gear-Ring          |
| 30          | 112-8408           | 6           | Bolt-Flywheel      |
| 40          | 98-7559            | 1           | Housing-Flywheel   |
| 50          | 100-9189           | 2           | Plug               |
| 70          | 98-7883            | 1           | Cover              |
| 80          | 98-7886            | 1           | Gasket             |
| 90          | 105-4577           | 2           | Bolt               |
| 100         | 98-7885            | 11          | Bolt               |
| 110         | 107-0108           | 1           | Plug               |
| 120         | 100-9194           | 1           | Washer-Plain       |
| 130         | 107-0114           | 2           | Bolt               |
| 140         | 107-0118           | 2           | Washer-Spring      |



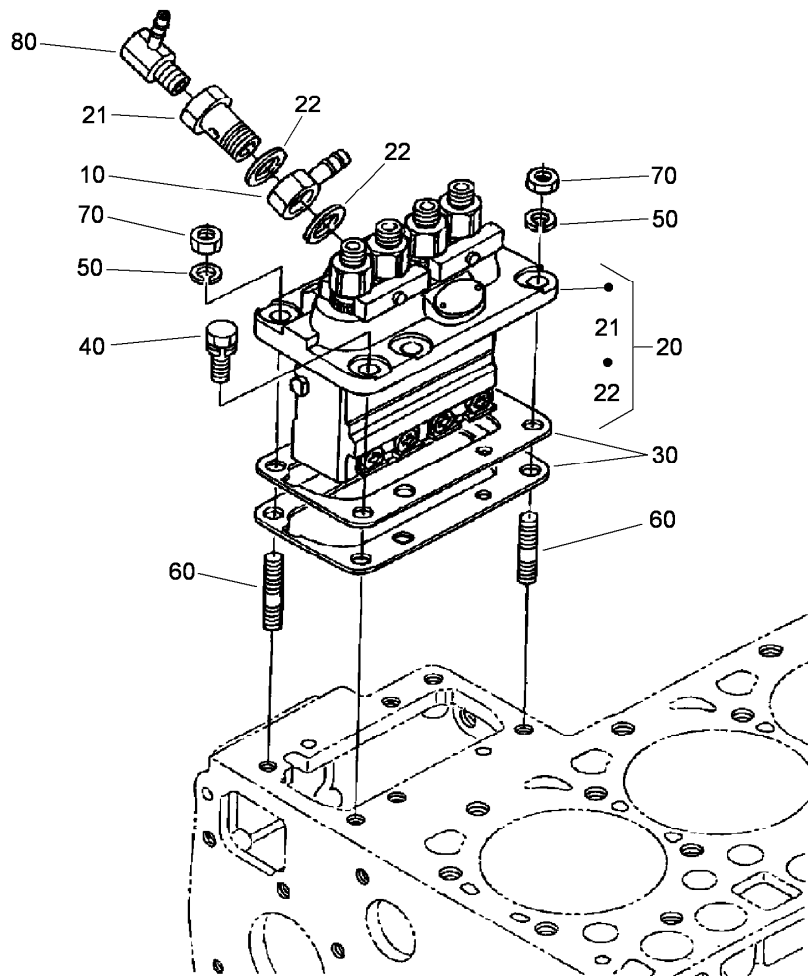
## Fuel Camshaft and Governor Shaft Assembly

| <i>Ref.</i> | <i>Part Number</i> | <i>Qty.</i> | <i>Description</i>       |
|-------------|--------------------|-------------|--------------------------|
| 10          | 98-7551            | 1           | Fuel Camshaft ASM        |
| 20          | 98-7508            | 1           | Camshaft-Fuel            |
| 30          | 98-7595            | 1           | Bearing-Ball             |
| 40          | 98-7574            | 1           | Gear-Pump, Injection     |
| 50          | 98-7575            | 1           | Key-Feather              |
| 60          | 98-7576            | 1           | Circlip-External         |
| 70          | 98-7577            | 1           | Sleeve-Governor          |
| 80          | 98-7578            | 1           | Circlip-Sleeve, Governor |
| 90          | 98-7579            | 1           | Case-Ball, Governor      |
| 100         | 98-7580            | 39          | Ball                     |
| 110         | 98-7581            | 1           | Circlip                  |
| 120         | 98-7582            | 7           | Ball                     |
| 130         | 108-7084           | 1           | Bearing-Ball             |
| 140         | 98-7584            | 1           | Stopper                  |
| 150         | 100-9195           | 2           | Bolt                     |
| 160         | 98-7588            | 1           | Gasket                   |
| 170         | 98-7586            | 1           | Cover-Fuel, Camshaft     |
| 180         | 98-7587            | 1           | Collar                   |
| 190         | 98-7589            | 1           | Circlip-External         |
| 200         | 98-7590            | 4           | Bolt                     |



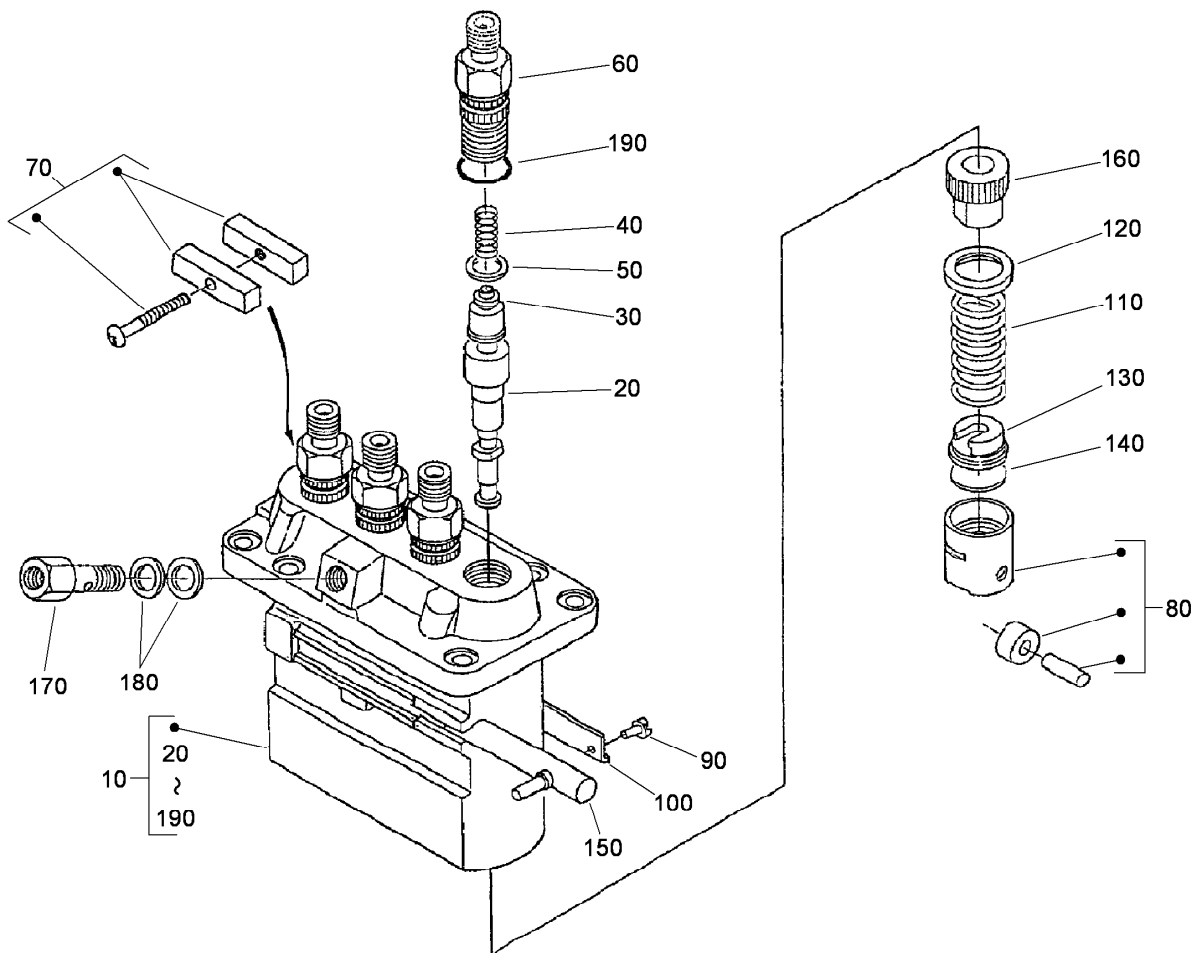
## Engine Stop Lever Assembly

| <i>Ref.</i> | <i>Part Number</i> | <i>Qty.</i> | <i>Description</i>    |
|-------------|--------------------|-------------|-----------------------|
| 10          | 98-7591            | 1           | Idle Appartus ASM     |
| 20          | 98-7592            | 1           | Adjusting Bolt ASM    |
| 30          | 98-7593            | 1           | Nut                   |
| 40          | 98-7594            | 1           | Nut-Cap               |
| 50          | 98-7428            | 2           | Gasket                |
| 60          | 98-7596            | 1           | Cap                   |
| 70          | 100-9198           | 1           | Engine Stop Lever ASM |
| 80          | 98-7598            | 1           | Cover-Pump, Injection |
| 90          | 100-9200           | 1           | Shaft-Lever           |
| 100         | 98-7600            | 1           | Lever-Stop, Engine    |
| 110         | 98-7601            | 1           | Seal-Oil              |
| 120         | 98-7602            | 1           | Pin-Spring            |
| 140         | 98-7604            | 1           | Gasket-Cover, Pump    |
| 150         | 98-7605            | 4           | Bolt                  |



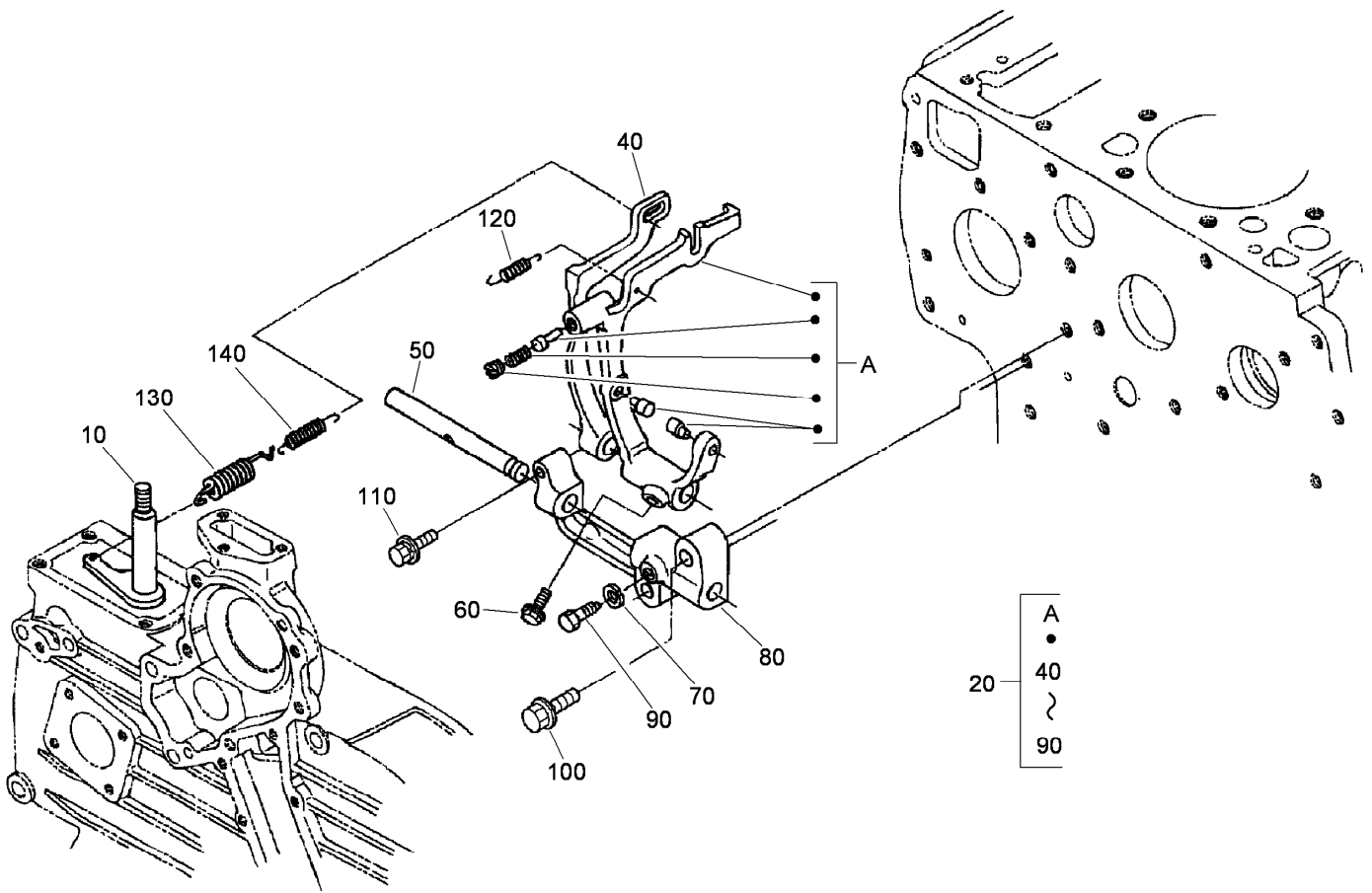
## Injection Pump Assembly

| <i>Ref.</i> | <i>Part Number</i> | <i>Qty.</i> | <i>Description</i>             |
|-------------|--------------------|-------------|--------------------------------|
| 10          | 98-7617            | 1           | Joint                          |
| 20          | 100-9201           | 1           | Injection Pump ASM             |
| 21          | 98-7635            | 1           | Screw                          |
| 22          | 98-7636            | 2           | Gasket                         |
| 30          | 98-7609            | 1           | Shim-Pump, Injection           |
| 30          | 98-7608            | 1           | Shim                           |
| 30          | 98-7607            | 1           | Shim-Pump, Injection (0.200Mm) |
| 40          | 98-7610            | 4           | Bolt                           |
| 50          | 105-2893           | 2           | Washer-Spring                  |
| 60          | 100-1558           | 2           | Stud                           |
| 70          | 98-7534            | 2           | Nut                            |
| 80          | 107-4300           | 1           | Orifice ASM                    |



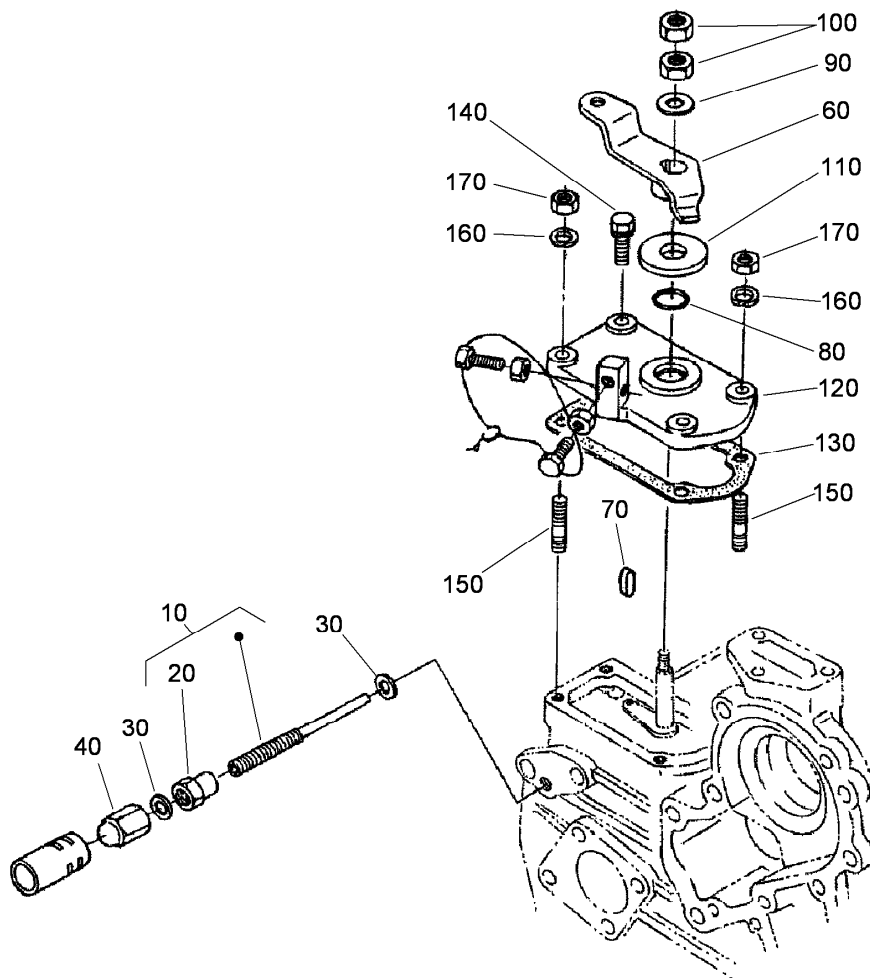
## Injection Pump (Component Part) Assembly

| Ref. | Part Number | Qty. | Description            |
|------|-------------|------|------------------------|
| 10   | 100-9201    | 1    | Injection Pump ASM     |
| 20   | 98-7619     | 4    | Plunger-Pump           |
| 30   | 98-7620     | 4    | Valve-Delivery         |
| 40   | 98-7621     | 4    | Spring-Valve, Delivery |
| 50   | 98-7622     | 4    | Gasket-Valve, Delivery |
| 60   | 98-7623     | 4    | Holder-Valve, Delivery |
| 70   | 98-7624     | 2    | Lock Plate ASM         |
| 80   | 98-7625     | 4    | Tappet ASM             |
| 90   | 98-7626     | 4    | Pin-Guide, Tappet      |
| 100  | 98-7627     | 2    | Plate                  |
| 110  | 98-7628     | 4    | Spring-Plunger         |
| 120  | 98-7629     | 4    | Seat-Spring, Upper     |
| 130  | 98-7630     | 4    | Seat-Spring, Lower     |
| 140  | 98-7631     | 4    | Shim                   |
| 150  | 98-7632     | 1    | Rack-Control           |
| 160  | 98-7634     | 4    | Sleeve-Control         |
| 170  | 98-7635     | 1    | Screw                  |
| 180  | 98-7636     | 2    | Gasket                 |
| 190  | 98-7637     | 4    | O-Ring                 |



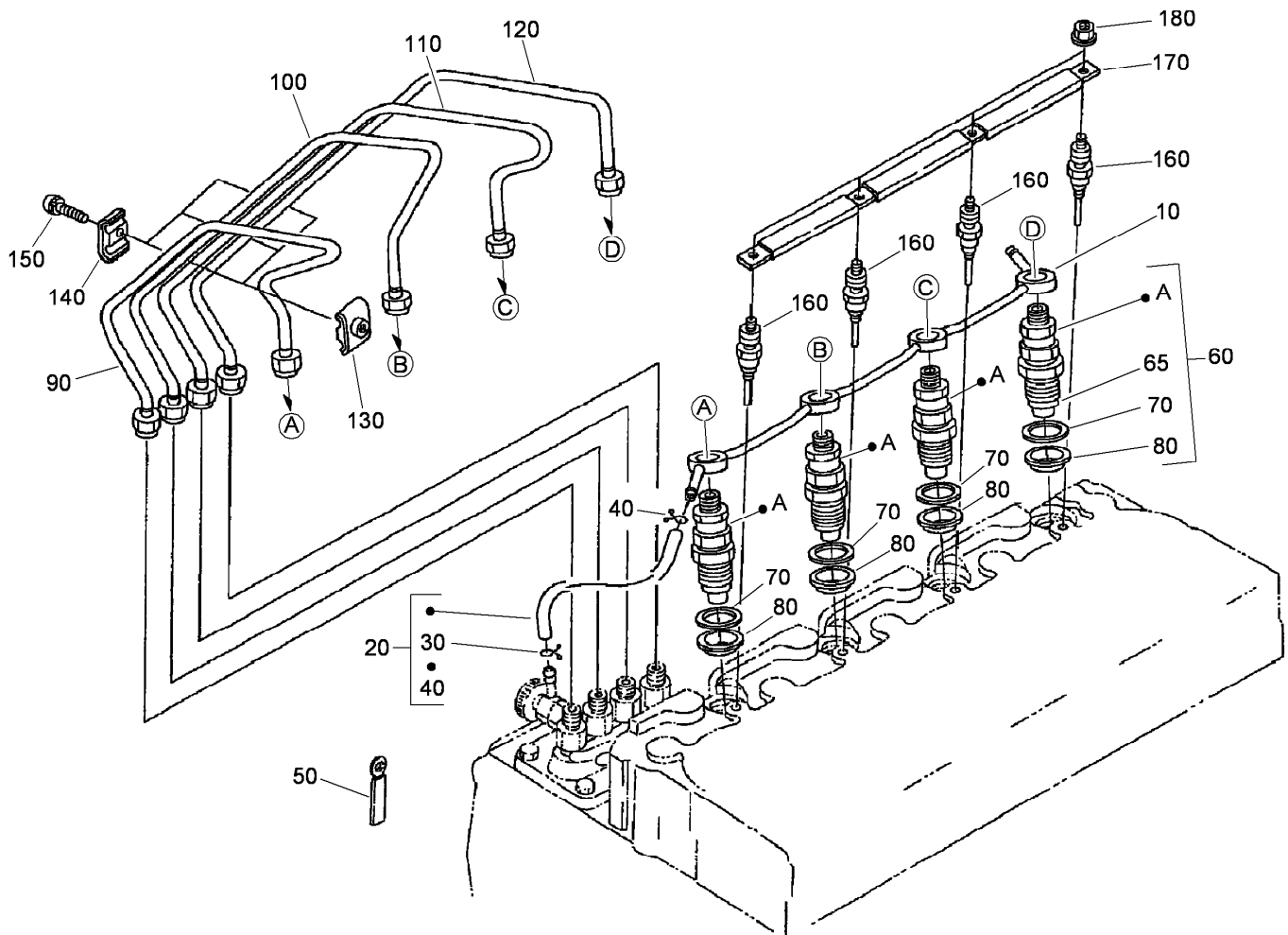
## Governor Assembly

| <i>Ref.</i> | <i>Part Number</i> | <i>Qty.</i> | <i>Description</i> |
|-------------|--------------------|-------------|--------------------|
| 10          | 98-7638            | 1           | Lever-Governor     |
| 20          | 100-9204           | 1           | Lever-Fork         |
| 40          | 100-9206           | 1           | Lever-Fork         |
| 50          | 107-0120           | 1           | Shaft-Lever, Fork  |
| 60          | 107-0116           | 1           | Bolt-Flange        |
| 70          | 98-7699            | 1           | Washer-Spring      |
| 80          | 98-7643            | 1           | Holder-Lever, Fork |
| 90          | 98-7644            | 1           | Bolt               |
| 100         | 108-7085           | 2           | Bolt-Flange        |
| 110         | 108-7086           | 1           | Bolt               |
| 120         | 100-9207           | 1           | Spring-Start       |
| 130         | 100-9208           | 1           | Spring-Governor    |
| 140         | 98-7651            | 1           | Spring-Governor    |



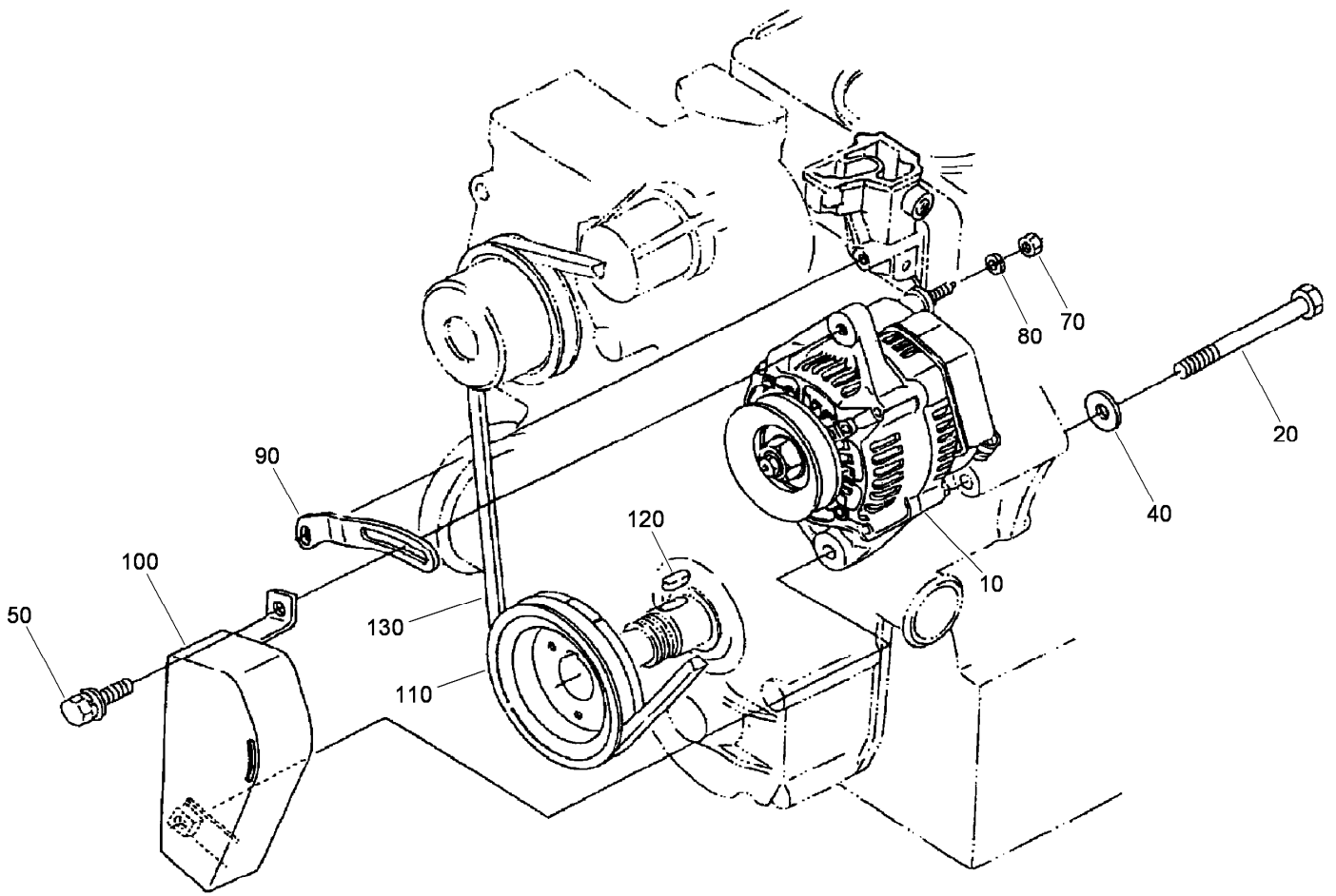
## Speed Control Plate Assembly

| <i>Ref.</i> | <i>Part Number</i> | <i>Qty.</i> | <i>Description</i>   |
|-------------|--------------------|-------------|----------------------|
| 10          | 107-0132           | 1           | Adjustable Bolt ASM  |
| 20          | 98-7653            | 1           | Nut                  |
| 30          | 98-7654            | 2           | Gasket               |
| 40          | 98-7655            | 1           | Nut-Cap              |
| 60          | 98-7657            | 1           | Lever-Control, Speed |
| 70          | 98-7658            | 1           | Key-Feather          |
| 80          | 108-7087           | 1           | O Ring               |
| 90          | 98-7660            | 1           | Washer-Plain         |
| 100         | 98-7661            | 2           | Nut                  |
| 110         | 98-7662            | 1           | Collar               |
| 120         | 98-7663            | 1           | Plate-Control, Speed |
| 130         | 112-8449           | 1           | Gasket               |
| 140         | 98-7568            | 2           | Bolt                 |
| 150         | 98-7571            | 2           | Stud                 |
| 160         | 98-7699            | 2           | Washer-Spring        |
| 170         | 98-7572            | 2           | Nut                  |



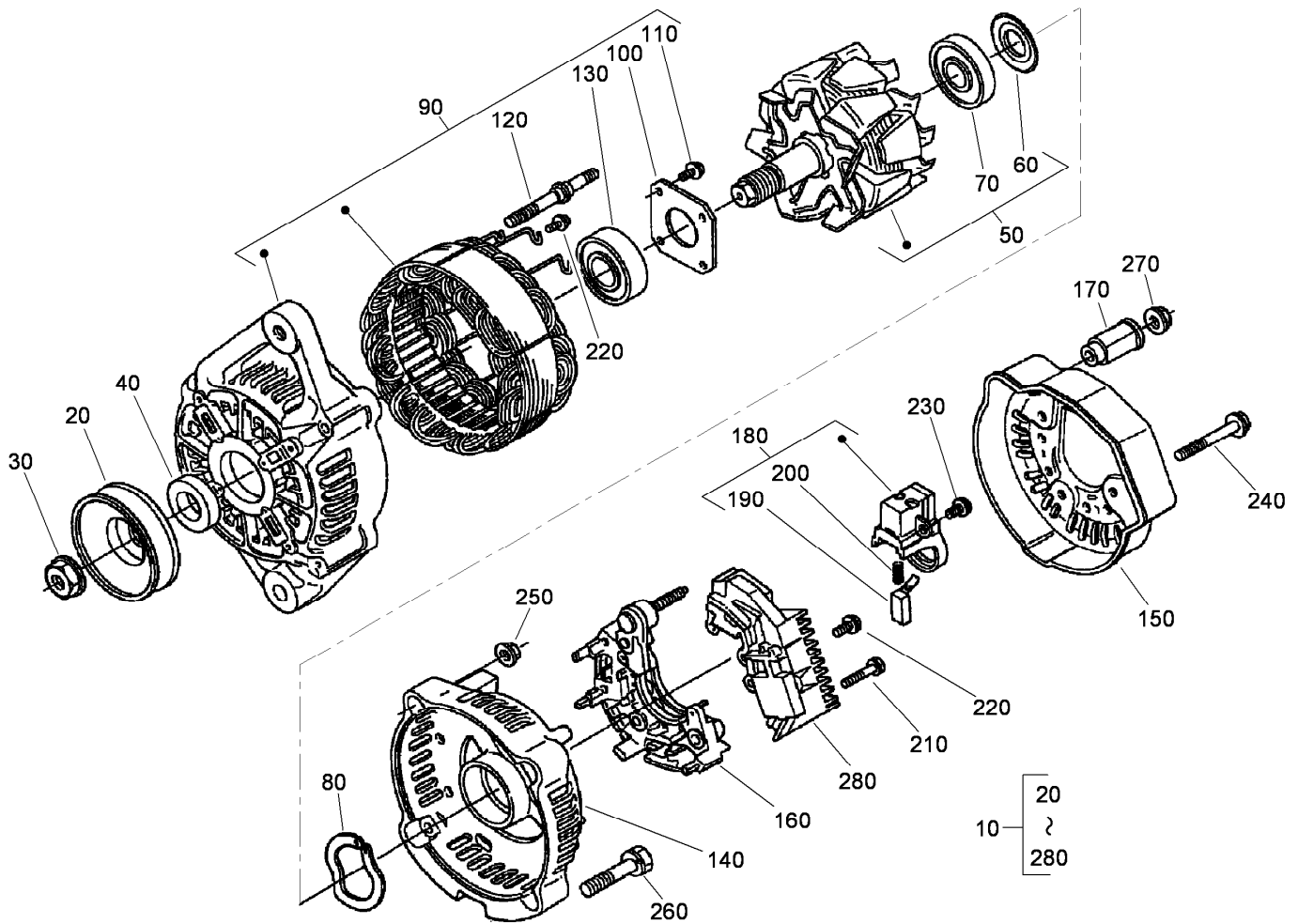
## Nozzle Holder and Glow Plug Assembly

| Ref. | Part Number | Qty. | Description         |
|------|-------------|------|---------------------|
| 10   | 100-9213    | 1    | Overflow Pipe ASM   |
| 20   | 98-7670     | 1    | Overflow Pipe ASM   |
| 30   | 98-7671     | 1    | Clip-Pipe           |
| 40   | 98-7672     | 1    | Clip-Pipe           |
| 50   | 98-7673     | 1    | Clamp-Cord          |
| 60   | 100-9214    | 1    | Nozzle Holder Kit   |
| 65   | 100-9215    | 4    | Piece-Nozzle        |
| 70   | 98-7676     | 4    | Gasket              |
| 80   | 98-7677     | 4    | Seal-Heat           |
| 90   | 100-9216    | 1    | Pipe-Injection      |
| 100  | 100-9217    | 1    | Pipe-Injection      |
| 110  | 100-9218    | 1    | Pipe-Injection      |
| 120  | 100-9219    | 1    | Pipe-Injection      |
| 130  | 98-7682     | 3    | Clamp-Pipe          |
| 140  | 98-7683     | 3    | Clamp-Pipe          |
| 150  | 98-9364     | 3    | Screw (With Washer) |
| 160  | 98-7685     | 4    | Plug-Glow           |
| 170  | 98-7686     | 1    | Cord-Plug, Glow     |
| 180  | 99-8377     | 4    | Nut-Flange          |



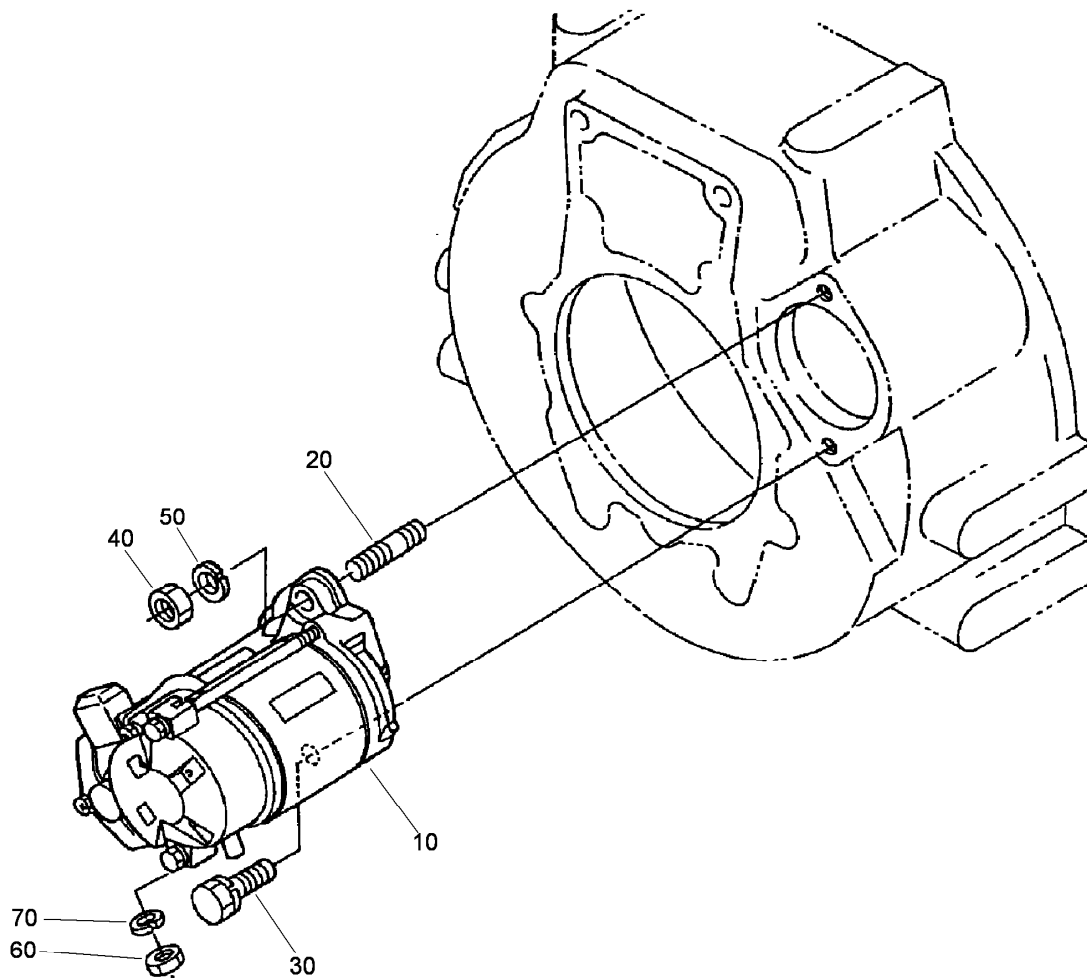
## Alternator and Pulley Assembly

| <i>Ref.</i> | <i>Part Number</i> | <i>Qty.</i> | <i>Description</i> |
|-------------|--------------------|-------------|--------------------|
| 10          | 98-7693            | 1           | Alternator ASM     |
| 20          | 98-7695            | 1           | Bolt               |
| 40          | 98-9366            | 1           | Washer-Plain       |
| 50          | 108-7088           | 1           | Bolt               |
| 70          | 98-7572            | 1           | Nut                |
| 80          | 98-7699            | 1           | Washer-Spring      |
| 90          | 105-2872           | 1           | Bracket-Alternator |
| 100         | 98-7701            | 1           | Cover-Belt         |
| 110         | 106-2044           | 1           | Pulley-Drive, Fan  |
| 120         | 98-7451            | 1           | Key-Feather        |
| 130         | 98-7705            | 1           | V-Belt             |



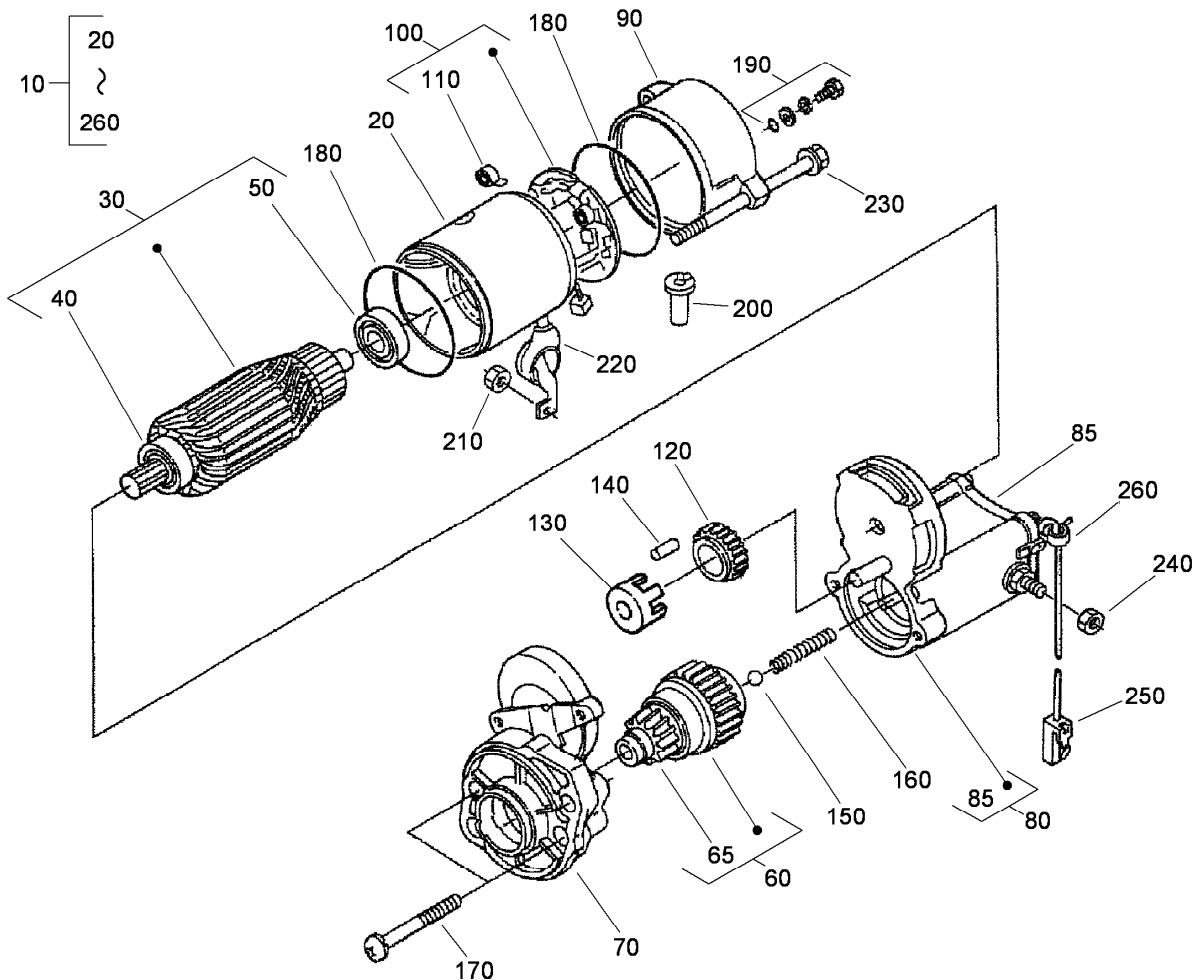
## Alternator Component Parts Assembly

| <i>Ref.</i> | <i>Part Number</i> | <i>Qty.</i> | <i>Description</i>  | <i>Ref.</i> | <i>Part Number</i> | <i>Qty.</i> | <i>Description</i> |
|-------------|--------------------|-------------|---------------------|-------------|--------------------|-------------|--------------------|
| 10          | 98-7693            | 1           | Alternator ASM      | 150         | 107-0140           | 1           | Cover-End          |
| 20          | 98-7707            | 1           | Pulley-Alternator   | 160         | 98-7721            | 1           | Rectifier ASM      |
| 30          | 98-7708            | 1           | Nut                 | 170         | 98-7722            | 1           | Bushing-Insulation |
| 40          | 98-7709            | 1           | Collar              | 180         | 107-0141           | 1           | Brush Holder ASM   |
| 50          | 107-0136           | 1           | Rotor ASM           | 190         | 98-7724            | 2           | Brush              |
| 60          | 98-7711            | 1           | Cover-Bearing       | 200         | 98-7725            | 2           | Spring-Brush       |
| 70          | 107-0138           | 1           | Bearing-Ball        | 210         | 98-7726            | 2           | Screw-Head, Round  |
| 80          | 98-7713            | 1           | Washer-Thrust       | 220         | 98-7727            | 6           | Screw-Head, Round  |
| 90          | 107-0139           | 1           | Drive End Frame ASM | 230         | 98-7728            | 1           | Screw-Head, Round  |
| 100         | 98-7715            | 1           | Plate-Retainer      | 240         | 98-7729            | 3           | Bolt               |
| 110         | 98-7716            | 4           | Screw-Head, Round   | 250         | 98-7730            | 2           | Nut                |
| 120         | 98-7717            | 2           | Bolt-Through        | 260         | 98-7731            | 2           | Bolt               |
| 130         | 107-0137           | 1           | Bearing-Ball        | 270         | 98-7732            | 1           | Nut                |
| 140         | 98-7719            | 1           | Frame-End           | 280         | 110-3799           | 1           | Regulator ASM      |



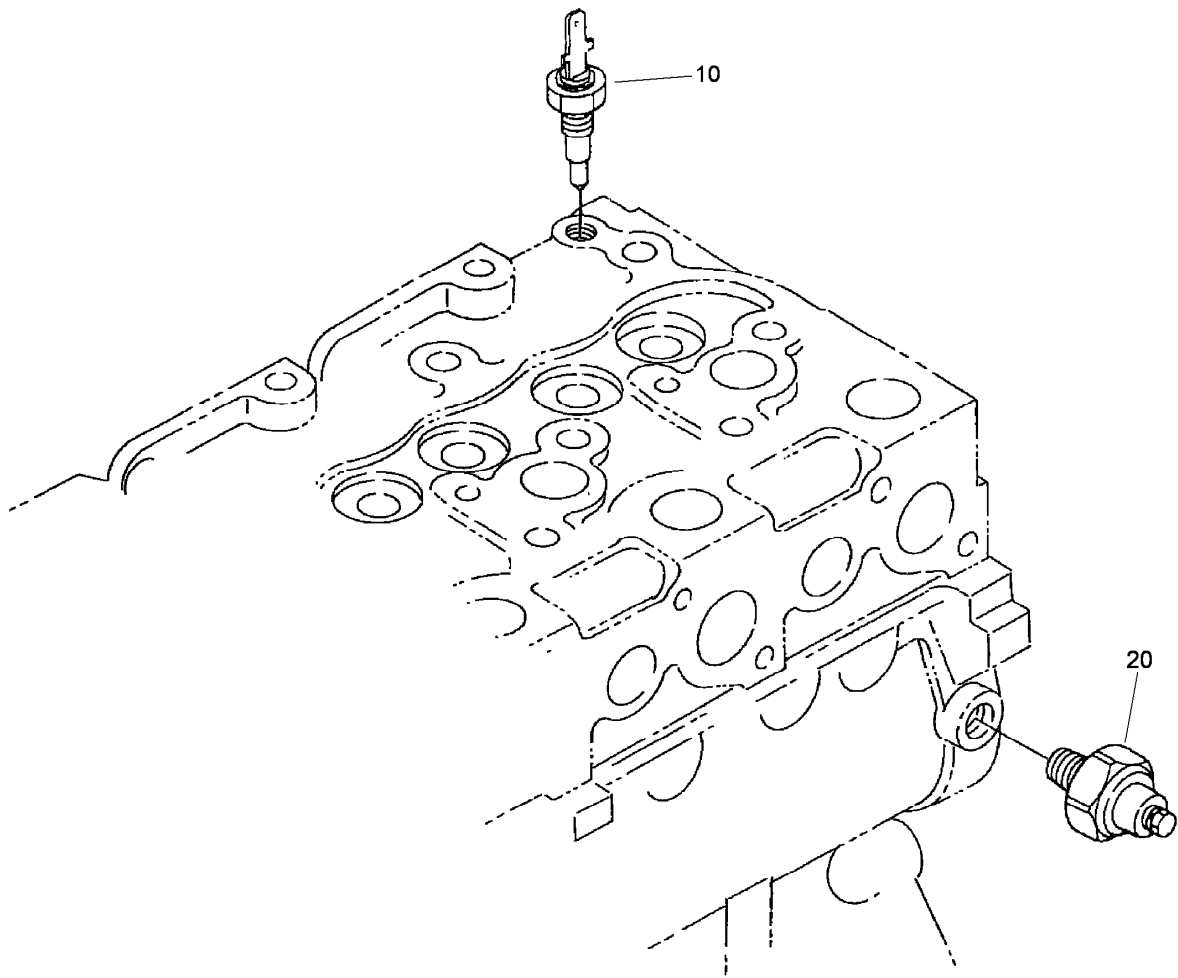
## Starter Assembly

| <i>Ref.</i> | <i>Part Number</i> | <i>Qty.</i> | <i>Description</i> |
|-------------|--------------------|-------------|--------------------|
| 10          | 100-9237           | 1           | Starter ASM        |
| 20          | 98-7735            | 1           | Stud               |
| 30          | 98-7736            | 1           | Bolt               |
| 40          | 98-7737            | 1           | Nut                |
| 50          | 98-7738            | 1           | Washer-Spring      |
| 60          | 98-7739            | 1           | Nut                |
| 70          | 105-2893           | 1           | Washer-Spring      |



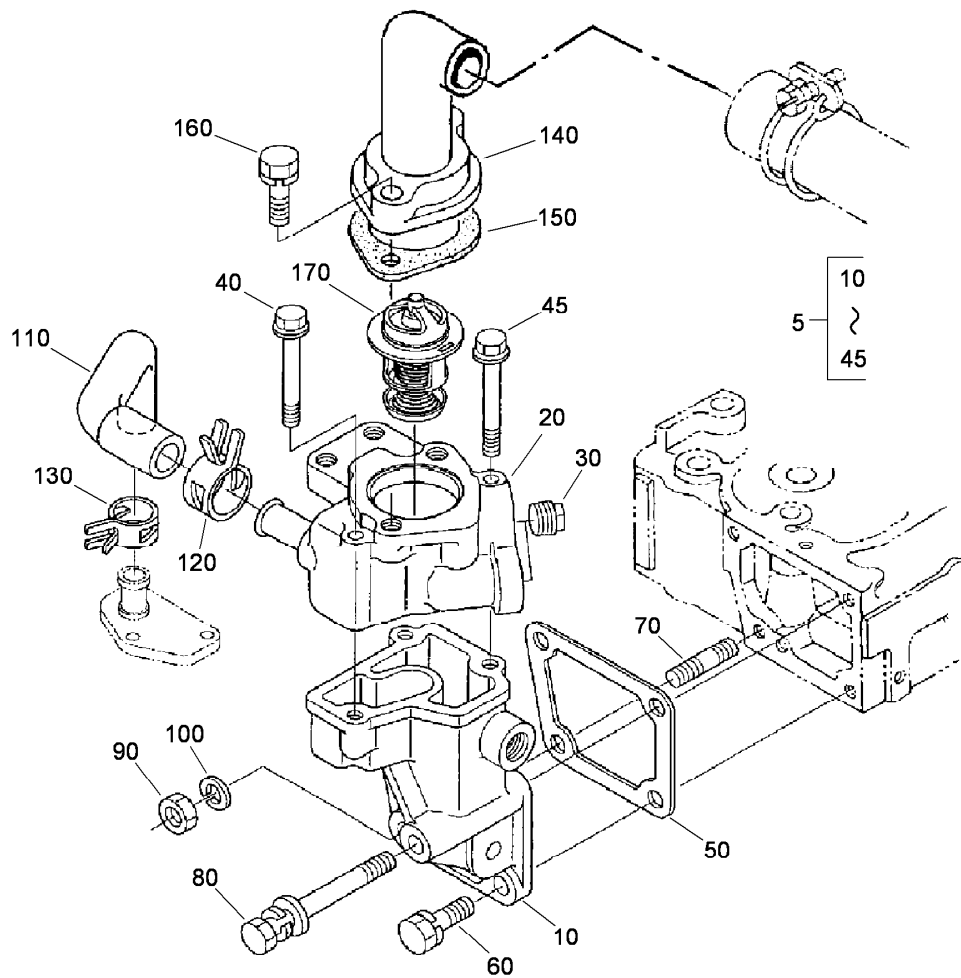
## Starter (Component Part) Assembly

| <i>Ref.</i> | <i>Part Number</i> | <i>Qty.</i> | <i>Description</i>   | <i>Ref.</i> | <i>Part Number</i> | <i>Qty.</i> | <i>Description</i>  |
|-------------|--------------------|-------------|----------------------|-------------|--------------------|-------------|---------------------|
| 10          | 100-9237           | 1           | Starter ASM          | 130         | 98-7752            | 1           | Retainer            |
| 20          | 104-8608           | 1           | Yoke ASM             | 140         | 98-9707            | 5           | Roller              |
| 30          | 98-7742            | 1           | Armature ASM         | 150         | 98-7755            | 1           | Ball                |
| 40          | 98-7744            | 1           | Bearing              | 160         | 98-7754            | 1           | Spring              |
| 50          | 98-7743            | 1           | Bearing              | 170         | 98-7756            | 2           | Bolt                |
| 60          | 98-7745            | 1           | Clutch-Running, Over | 180         | 98-7757            | 2           | O-Ring              |
| 65          | 105-2887           | 1           | Pinion-Bevel         | 190         | 98-7758            | 2           | Bolt ASM            |
| 70          | 98-7746            | 1           | Frame-End, Drive     | 200         | 98-7759            | 1           | Pipe-Drain          |
| 80          | 100-9239           | 1           | Magnetic Switch ASM  | 210         | 99-8371            | 1           | Nut-Hex             |
| 85          | 105-2886           | 1           | Cover ASM            | 220         | 99-8375            | 1           | Cover               |
| 90          | 98-7748            | 1           | Frame-End            | 230         | 100-9240           | 2           | Bolt                |
| 100         | 98-7749            | 1           | Brush Holder ASM     | 240         | 99-8376            | 1           | Nut-Hex             |
| 110         | 98-7750            | 4           | Spring-Brush         | 250         | 98-9711            | 1           | Cord-Solenoid, Stop |
| 120         | 98-7751            | 1           | Gear                 | 260         | 98-9712            | 1           | Band-Cover          |



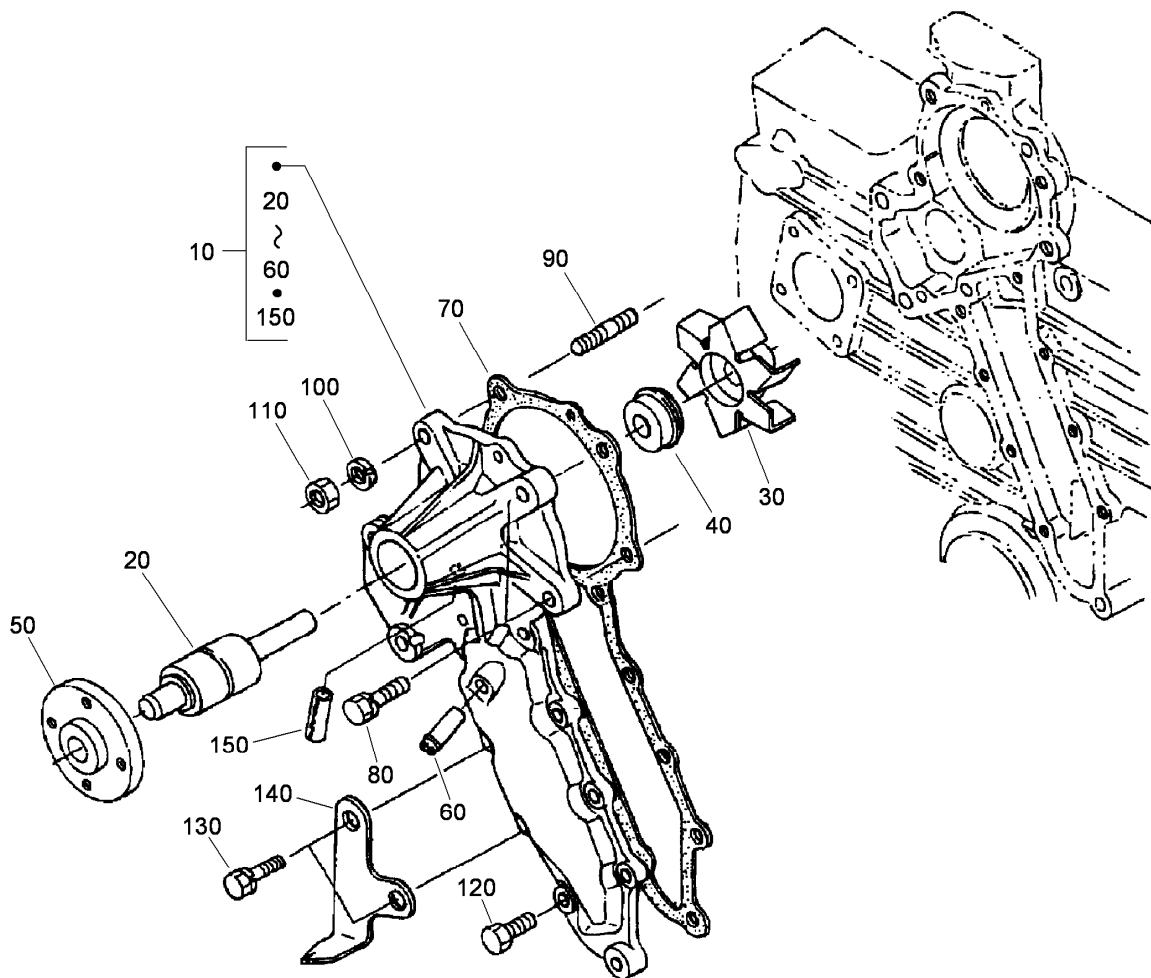
## Oil Switch / Thermostitch Assembly

| <i>Ref.</i> | <i>Part Number</i> | <i>Qty.</i> | <i>Description</i> |
|-------------|--------------------|-------------|--------------------|
| 10          | 99-3582            | 1           | Thermostitch       |
| 20          | 98-7764            | 1           | Switch-Oil         |



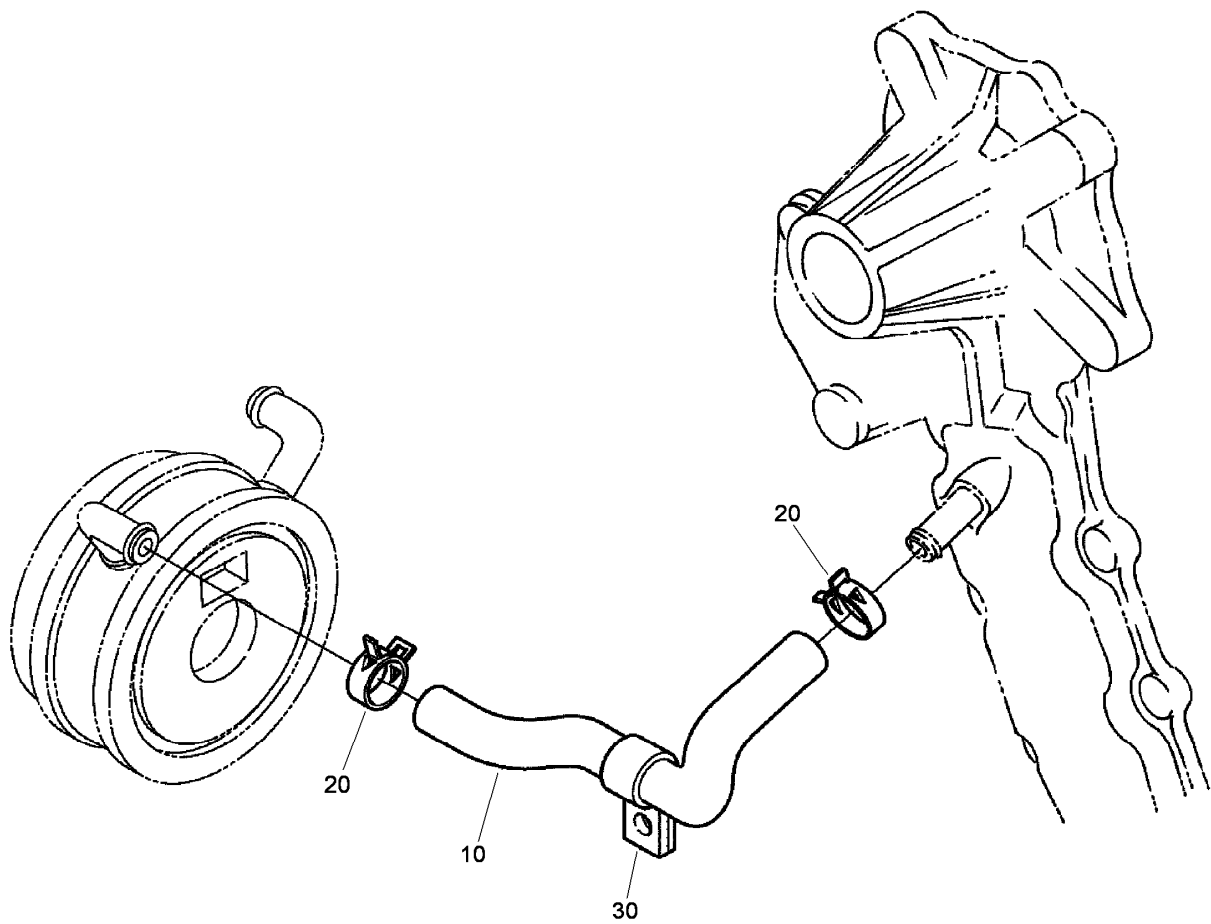
## Water Flange and Thermostat Assembly

| <i>Ref.</i> | <i>Part Number</i> | <i>Qty.</i> | <i>Description</i>   |
|-------------|--------------------|-------------|----------------------|
| 5           | 105-4578           | 1           | Water Flange ASM     |
| 10          | 107-0143           | 1           | Flange-Water         |
| 20          | 107-0144           | 1           | Flange-Water         |
| 30          | 105-2874           | 2           | Plug                 |
| 40          | 105-2875           | 3           | Bolt-Flange          |
| 45          | 107-0117           | 1           | Bolt-Flange          |
| 50          | 98-7767            | 1           | Gasket-Flange, Water |
| 60          | 98-7610            | 2           | Bolt                 |
| 70          | 100-1558           | 1           | Stud                 |
| 80          | 107-0115           | 1           | Bolt                 |
| 90          | 98-7534            | 1           | Nut                  |
| 100         | 105-2893           | 1           | Washer-Spring        |
| 110         | 105-2878           | 1           | Pipe-Return, Water   |
| 120         | 98-9714            | 1           | Clamp-Hose           |
| 130         | 105-2879           | 1           | Clamp-Hose           |
| 140         | 100-9244           | 1           | Cover-Thermostat     |
| 150         | 105-3748           | 1           | Gasket-Thermostat    |
| 160         | 98-7777            | 2           | Bolt                 |
| 170         | 105-2881           | 1           | Thermostat ASM       |



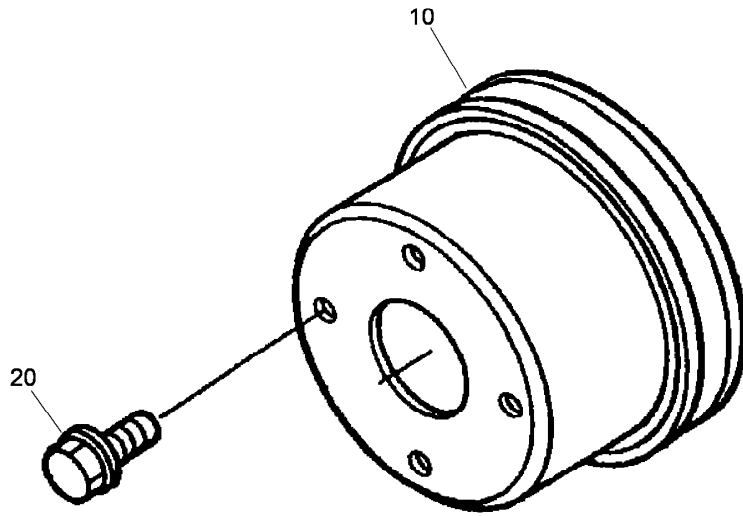
## Water Pump Assembly

| <i>Ref.</i> | <i>Part Number</i> | <i>Qty.</i> | <i>Description</i>       |
|-------------|--------------------|-------------|--------------------------|
| 10          | 107-0129           | 1           | Water Pump ASM           |
| 20          | 98-7780            | 1           | Bearing-Ball             |
| 30          | 107-0130           | 1           | Impeller-Pump, Water     |
| 40          | 105-2882           | 1           | Mechanical Seal ASM      |
| 50          | 108-7089           | 1           | Flange-Shaft, Water Pump |
| 60          | 98-9580            | 1           | Pipe-Return, Water       |
| 70          | 98-7784            | 1           | Gasket-Pump, Water       |
| 80          | 98-7439            | 2           | Bolt                     |
| 90          | 108-7090           | 2           | Stud                     |
| 100         | 105-2893           | 2           | Washer-Spring            |
| 110         | 98-7534            | 2           | Nut                      |
| 120         | 98-7605            | 6           | Bolt                     |
| 130         | 98-7568            | 2           | Bolt                     |
| 140         | 100-9246           | 1           | Indicator-Timing         |
| 150         | 107-0131           | 1           | Pin-Spring               |



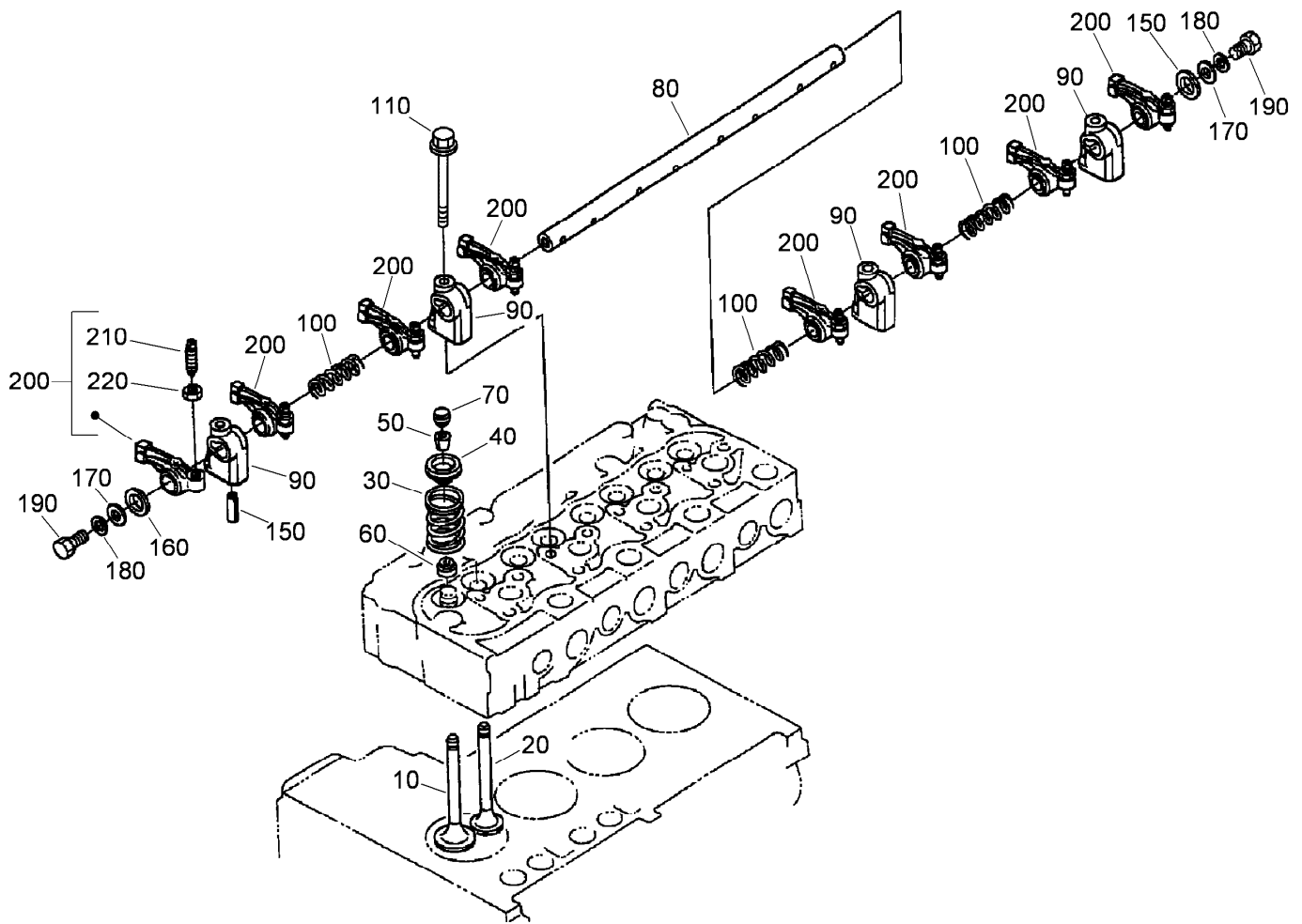
## Water Pipe Assembly

| <i>Ref.</i> | <i>Part Number</i> | <i>Qty.</i> | <i>Description</i> |
|-------------|--------------------|-------------|--------------------|
| 10          | 107-0124           | 1           | Pipe-Cooler, Oil   |
| 20          | 98-9579            | 2           | Band-Pipe          |
| 30          | 107-0123           | 1           | Clamp-Cord         |



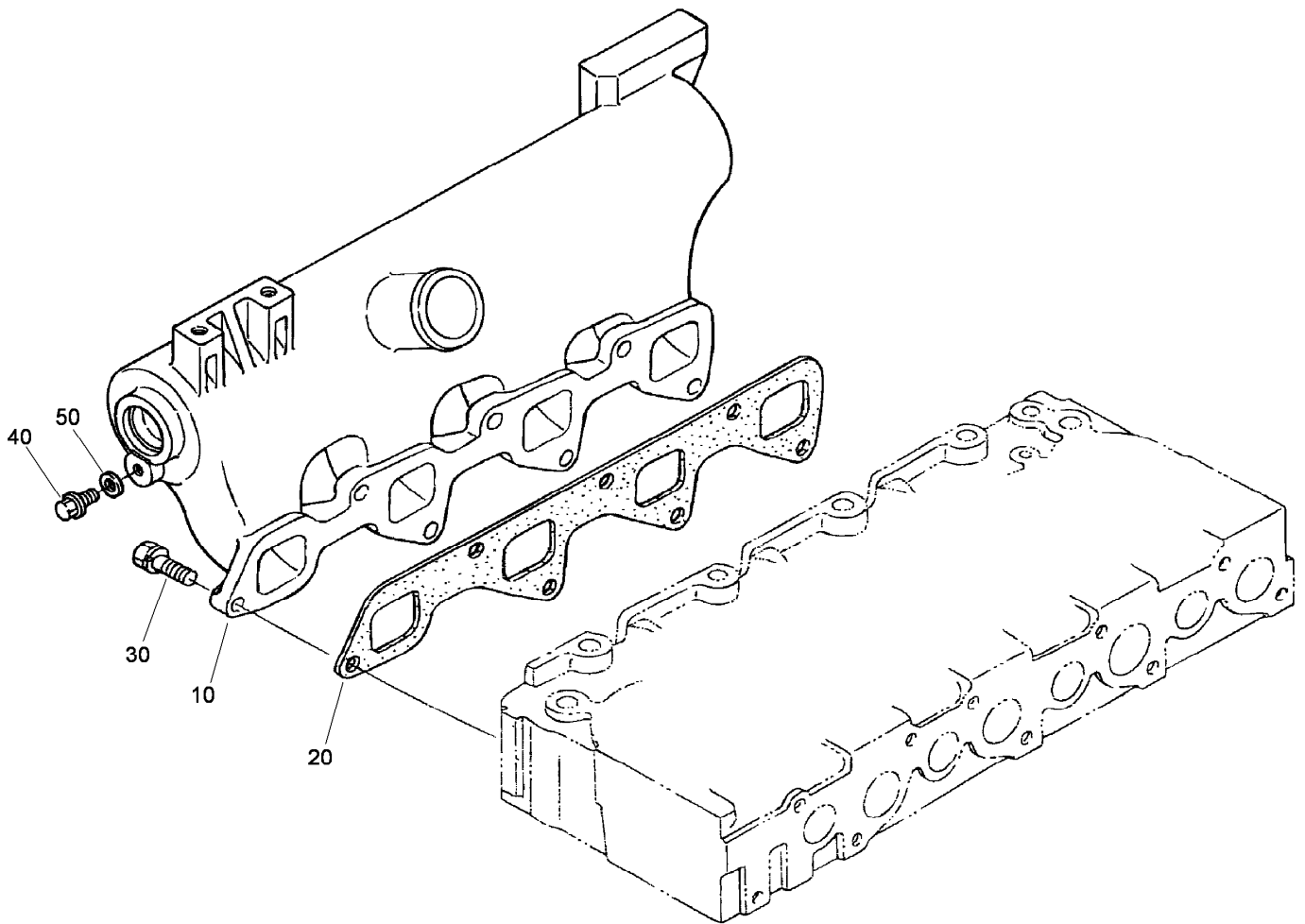
## Fan Assembly

| <i>Ref.</i> | <i>Part Number</i> | <i>Qty.</i> | <i>Description</i> |
|-------------|--------------------|-------------|--------------------|
| 10          | 98-7702            | 1           | Pulley-Fan         |
| 20          | 107-4317           | 4           | Bolt-Flange        |



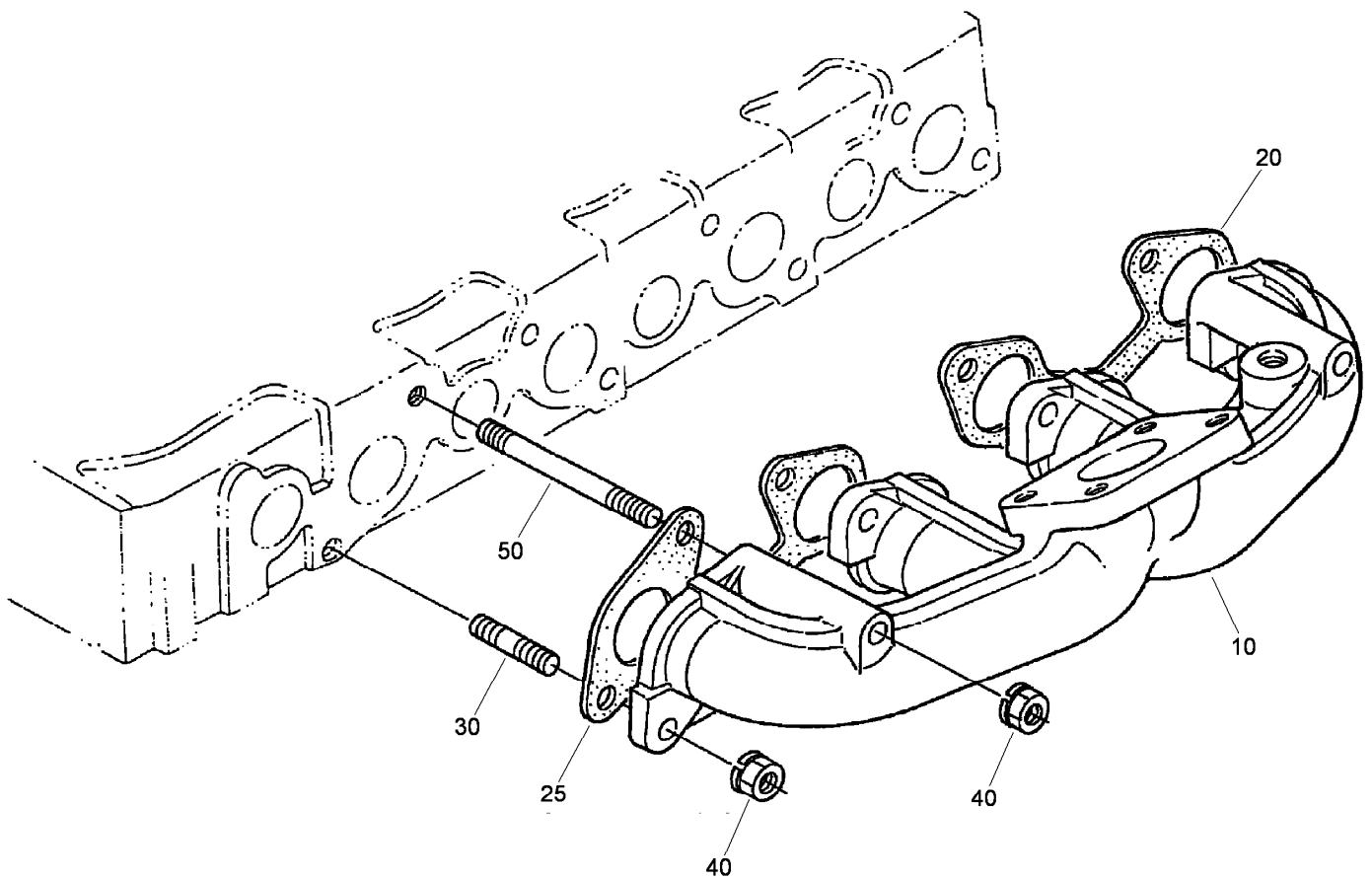
## Valve and Rocker Arm Assembly

| <i>Ref.</i> | <i>Part Number</i> | <i>Qty.</i> | <i>Description</i>     |
|-------------|--------------------|-------------|------------------------|
| 10          | 98-7791            | 4           | Valve-Inlet            |
| 20          | 100-9281           | 4           | Valve-Exhaust          |
| 30          | 98-7793            | 8           | Spring-Valve           |
| 40          | 98-7794            | 8           | Retainer-Spring, Valve |
| 50          | 98-7795            | 8           | Collet-Spring, Valve   |
| 60          | 98-7796            | 8           | Seal-Stem, Valve       |
| 70          | 98-7797            | 8           | Cap-Valve              |
| 80          | 107-0134           | 1           | Shaft-Arm, Rocker      |
| 90          | 98-7800            | 4           | Bracket-Arm, Rocker    |
| 100         | 98-7807            | 3           | Spring-Arm, Rocker     |
| 110         | 108-7091           | 4           | Bolt-Flange            |
| 150         | 98-7805            | 1           | Pin-Spring             |
| 160         | 98-7806            | 2           | Washer                 |
| 170         | 98-7660            | 2           | Washer-Plain           |
| 180         | 105-2893           | 4           | Washer-Spring          |
| 190         | 98-7884            | 2           | Bolt                   |
| 200         | 98-7809            | 8           | Rocker Arm ASM         |
| 210         | 98-7810            | 8           | Screw-Adjusting        |
| 220         | 98-7811            | 8           | Nut                    |



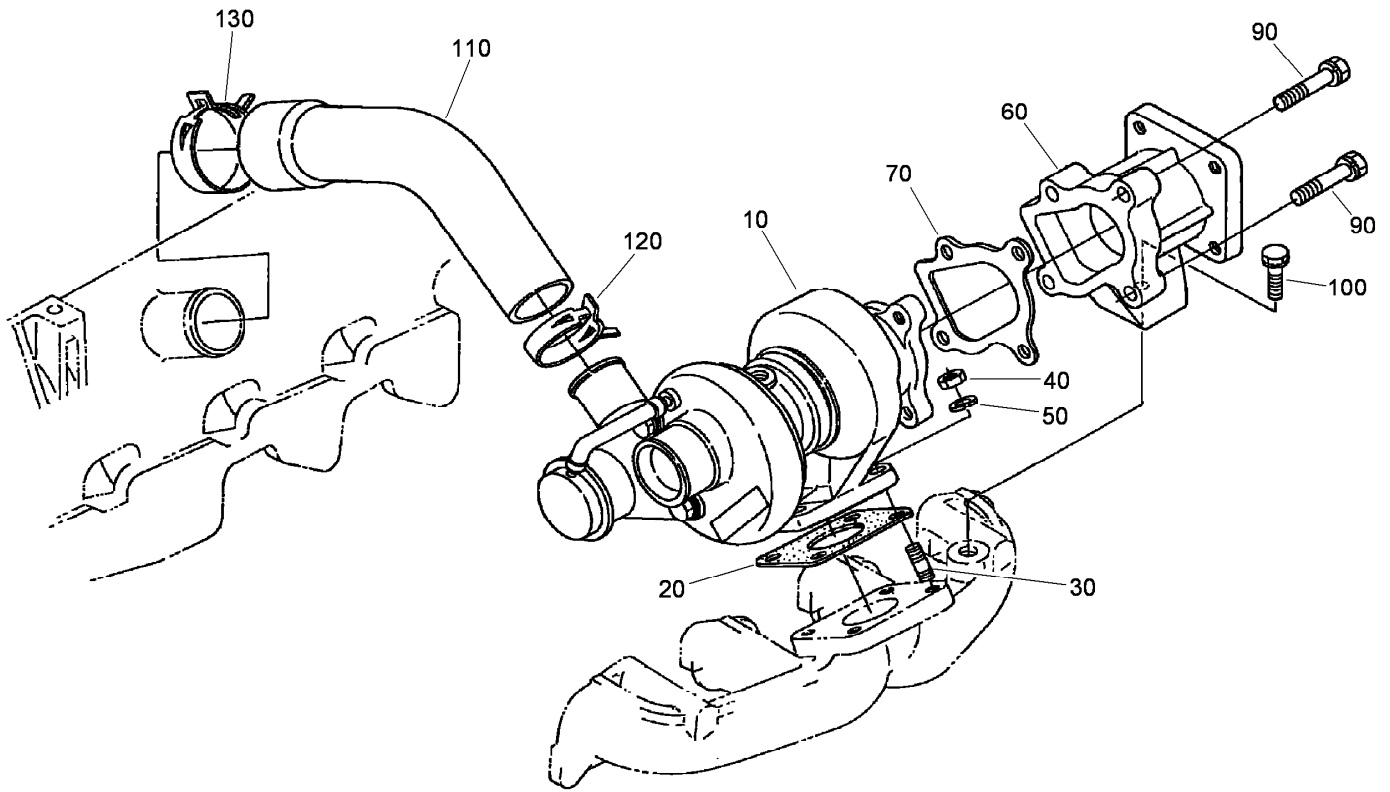
## Inlet Manifold Assembly

| <i>Ref.</i> | <i>Part Number</i> | <i>Qty.</i> | <i>Description</i>      |
|-------------|--------------------|-------------|-------------------------|
| 10          | 100-9283           | 1           | Inlet-Manifold          |
| 20          | 100-9284           | 1           | Gasket-Manifold, Intake |
| 30          | 98-7610            | 7           | Bolt                    |
| 40          | 107-4317           | 1           | Bolt-Flange             |
| 50          | 98-7654            | 1           | Gasket                  |



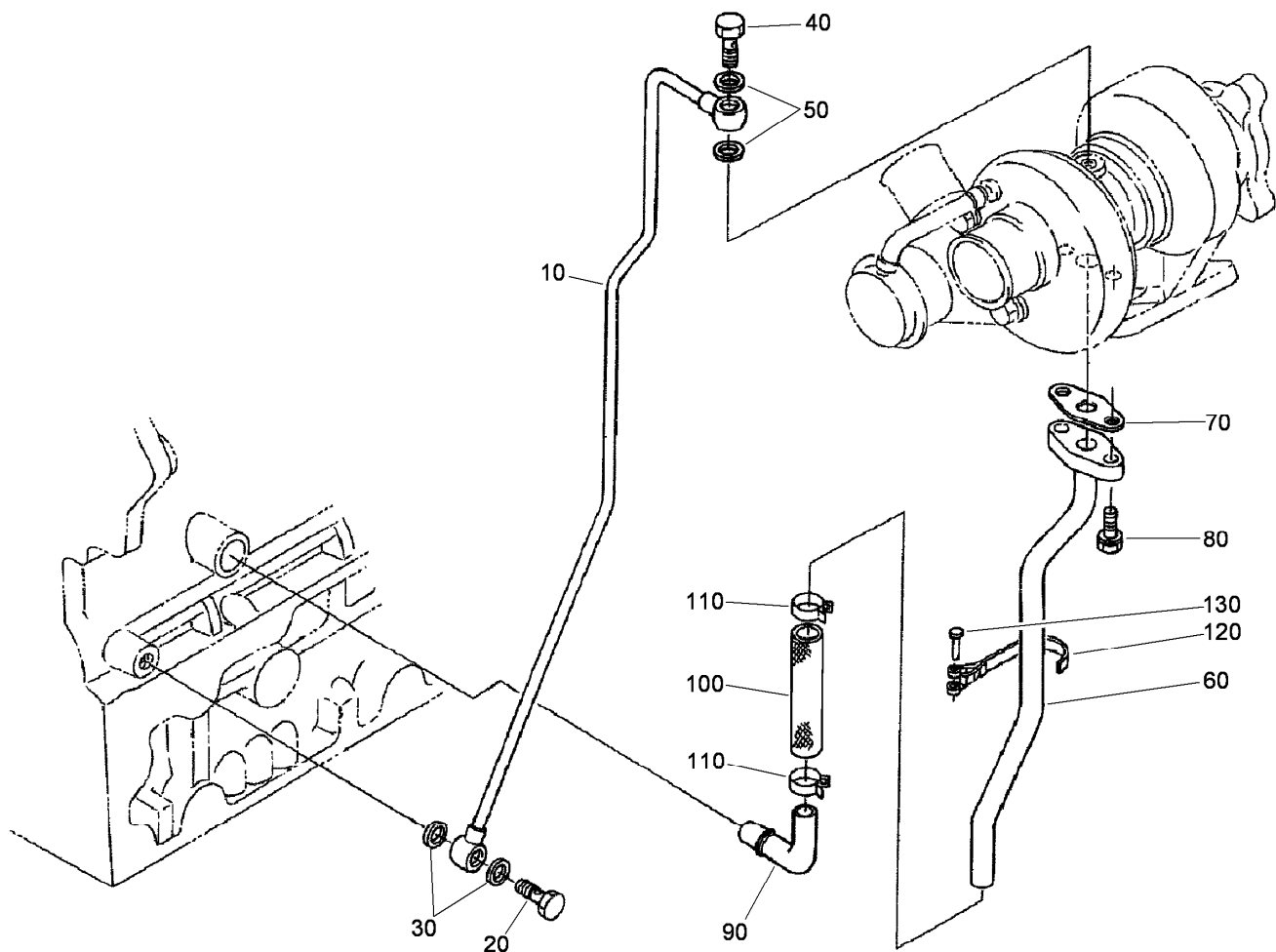
## Exhaust Manifold Assembly

| <i>Ref.</i> | <i>Part Number</i> | <i>Qty.</i> | <i>Description</i> |
|-------------|--------------------|-------------|--------------------|
| 10          | 108-7092           | 1           | Manifold-Exhaust   |
| 20          | 98-7802            | 1           | Gasket             |
| 25          | 98-7803            | 1           | Gasket             |
| 30          | 100-1558           | 6           | Stud               |
| 40          | 100-9288           | 8           | Nut                |
| 50          | 100-9289           | 2           | Stud               |



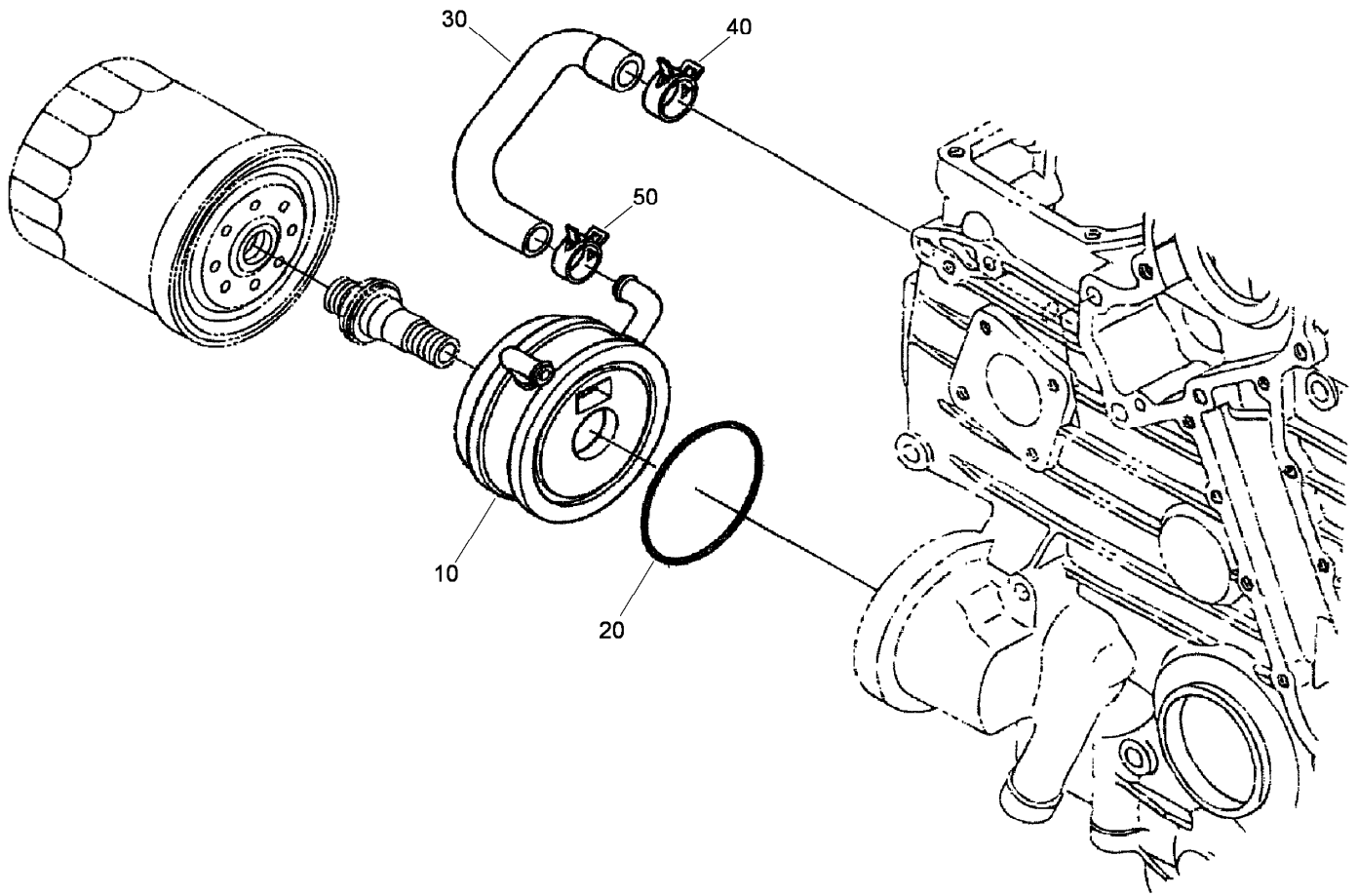
## Turbo Charger Assembly

| <i>Ref.</i> | <i>Part Number</i> | <i>Qty.</i> | <i>Description</i> |
|-------------|--------------------|-------------|--------------------|
| 10          | 108-7093           | 1           | Turbo Charger ASM  |
| 20          | 100-9314           | 1           | Gasket             |
| 30          | 99-8342            | 4           | Stud               |
| 40          | 98-7534            | 4           | Nut                |
| 50          | 105-2893           | 4           | Washer-Spring      |
| 60          | 108-7094           | 1           | Flange-Muffler     |
| 70          | 100-9316           | 1           | Gasket             |
| 90          | 98-7697            | 4           | Bolt               |
| 100         | 100-9230           | 1           | Bolt               |
| 110         | 100-9318           | 1           | Hose-Inlet         |
| 120         | 100-9319           | 1           | Band-Pipe          |
| 130         | 99-8322            | 1           | Band-Pipe          |



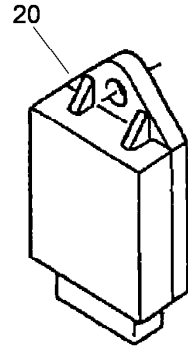
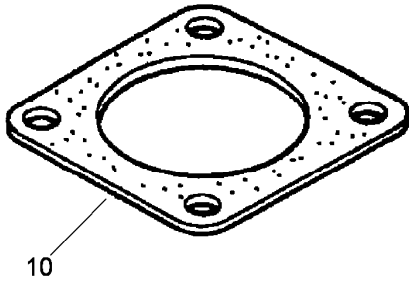
## Oil Pipe (Turbo Charger) Assembly

| <i>Ref.</i> | <i>Part Number</i> | <i>Qty.</i> | <i>Description</i> |
|-------------|--------------------|-------------|--------------------|
| 10          | 100-9320           | 1           | Pipe-Oil           |
| 20          | 100-9321           | 1           | Bolt-Joint, Eye    |
| 30          | 98-7428            | 2           | Gasket             |
| 40          | 98-9418            | 1           | Bolt-Joint, Eye    |
| 50          | 99-8346            | 2           | Gasket             |
| 60          | 100-9322           | 1           | Pipe-Oil           |
| 70          | 108-4422           | 1           | Gasket             |
| 80          | 98-7605            | 2           | Bolt               |
| 90          | 100-9323           | 1           | Pipe-Oil           |
| 100         | 108-7095           | 1           | Tube-Oil           |
| 110         | 98-9714            | 2           | Clamp-Hose         |
| 120         | 108-7096           | 1           | Clamp-Pipe         |
| 130         | 98-9591            | 1           | Pin-Band           |



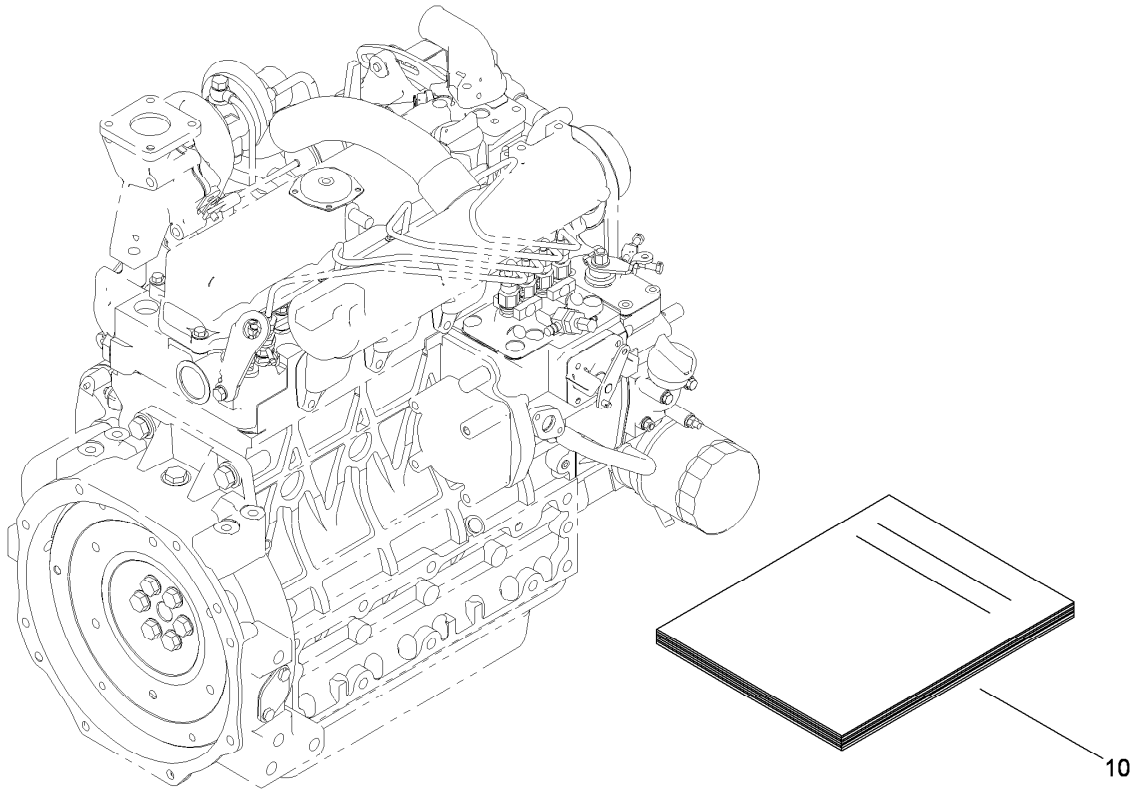
## Oil Cooler Assembly

| <i>Ref.</i> | <i>Part Number</i> | <i>Qty.</i> | <i>Description</i> |
|-------------|--------------------|-------------|--------------------|
| 10          | 107-0125           | 1           | Oil Cooler ASM     |
| 20          | 110-6181           | 1           | O-Ring             |
| 30          | 107-0126           | 1           | Hose-Cooler, Oil   |
| 40          | 105-2879           | 1           | Clamp-Hose         |
| 50          | 98-9579            | 1           | Band-Pipe          |



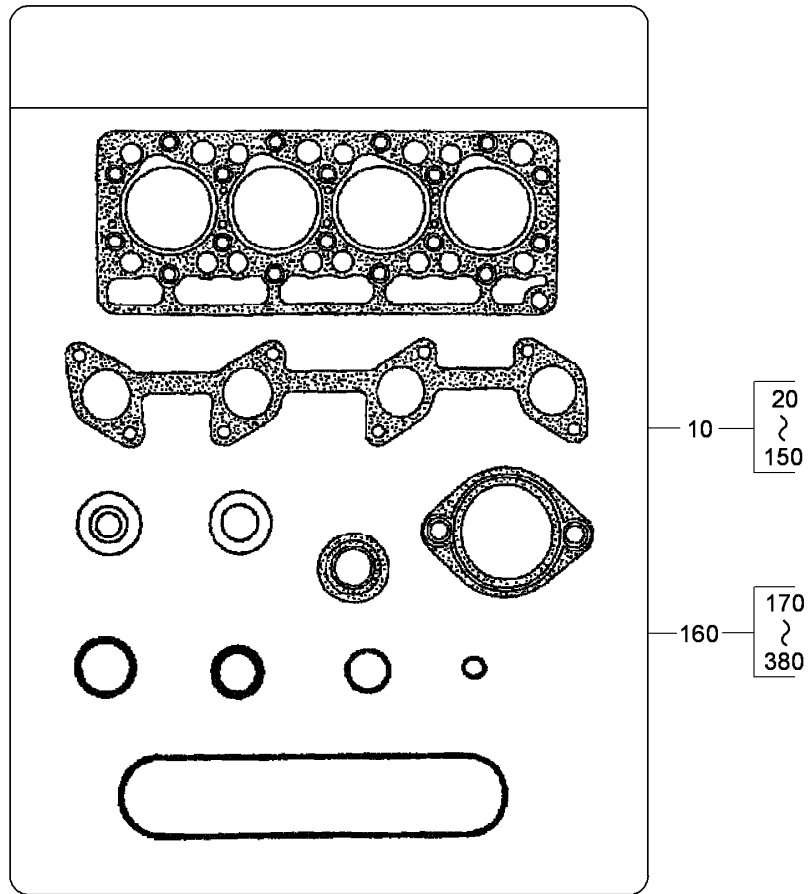
## Muffler Gasket and Glow Controller

| <i>Ref.</i> | <i>Part Number</i> | <i>Qty.</i> | <i>Description</i> |
|-------------|--------------------|-------------|--------------------|
| 10          | 100-9333           | 1           | Gasket-Muffler     |
| 20          | 98-7611            | 1           | Controller-Glow    |



## Engine Operator's Manual

| <i>Ref.</i> | <i>Part Number</i> | <i>Qty.</i> | <i>Description</i> |
|-------------|--------------------|-------------|--------------------|
| 10          | 100-9335           | 1           | Manual-Instruction |



## Gasket Kit

| <i>Ref.</i> | <i>Part Number</i> | <i>Qty.</i> | <i>Description</i> |
|-------------|--------------------|-------------|--------------------|
| 10          | 100-9337           | 1           | Upper Gasket Kit   |
| 160         | 110-0025           | 1           | Lower Gasket Kit   |

# Attachments and Accessories

## For 30856 Groundsmaster 4500-D Traction Unit

| <b>Product Name</b>                  | <b>Model/Part</b> |
|--------------------------------------|-------------------|
| Blade-Lift, High .....               | 104-5183          |
| Blade-Angle Sail .....               | 105-9810-03       |
| Blade-Atomic .....                   | 107-0235-03       |
| Blade-Combo.....                     | 108-9026-03       |
| Mechanical Seat Suspension Kit ..... | 30312             |
| Pneumatic Seat Suspension Kit.....   | 30313             |
| Standard Seat Kit.....               | 30398             |
| Arm Rest Kit.....                    | 30707             |
| Flow Divider Kit.....                | 30830             |
| 27in Rotary Cutting Unit.....        | 30834             |
| Leaf Mulching Kit .....              | 30836             |



**Count on it.**