

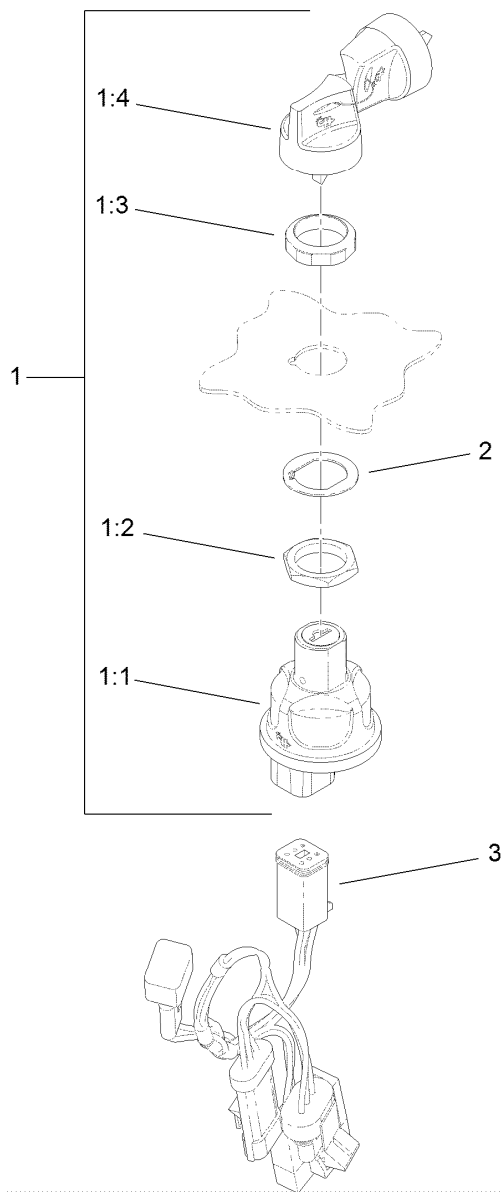


**Count on it.**

**Parts Catalog**

**Ignition Switch Kit,  
Groundsmaster® 360  
Multi-Purpose Machine**

Model No. 121-5357



## Ignition Switch Kit No. 121-5357

Ref.	Part Number	Qty.	Description
1	121-5159	1	Ignition Switch ASM
1:1		1	Switch-Ignition ●
1:2	121-5160	1	Nut-Hex
1:3	121-5161	1	Nut-Face
1:4	121-5162	1	Ignition Key Set
2	120-2036	1	Washer-Switch
3	121-6552	1	Harness-Wire, Key Switch Load

● Not serviced separately