



14in Trim and Edge Electric Trimmer

Model No. 51480—Serial No. 311000100 and Up

Operator's Manual

Register at www.Toro.com



If you have questions or problems, contact us at www.Toro.com or call toll free 1-800-237-2654 (US) or 1-800-248-3258 (Canada) before returning this product.

General Safety Rules

WARNING: When using electric gardening appliances, basic safety precautions should always be followed to reduce the risk of fire, electric shock, and personal injury, including the following:

Read all instructions.

The term "power tool" in all of the warnings refers to your mains-operated (corded) power tool or battery-operated (cordless) power tool.

1. Work area safety

- A. **Keep work area clean and well lit.** Cluttered or dark areas invite accidents.
- B. **Do not operate power tools in explosive atmospheres, such as in the presence of flammable liquids, gases or dust.** Power tools create sparks which may ignite the dust or fumes.
- C. **Keep children and bystanders away while operating a power tool.** Distractions can cause you to lose control.

2. Electrical safety

- A. **Power tool plugs must match the outlet. Never modify the plug in any way. Do not use any adapter plugs with earthed (grounded) power tools.** Unmodified plugs and matching outlets will reduce risk of electric shock.
- B. **Avoid body contact with earthed or grounded surfaces such as pipes, radiators, ranges and refrigerators.** There is an increased risk of electric shock if your body is earthed or grounded.
- C. **Do not expose power tools to rain or wet conditions.** Water entering a power tool will increase the risk of electric shock.
- D. **Do not abuse the cord. Never use the cord for carrying, pulling or unplugging the power tool. Keep cord away from heat, oil, sharp edges or moving parts.** Damaged or entangled cords increase the risk of electric shock.
- E. **When operating a power tool outdoors, use an extension cord suitable for outdoor use.** Use of a cord suitable for outdoor use reduces the risk of electric shock.
- F. **If operating a power tool in a damp location is unavoidable, use a residual current device (RCD) protected supply.** Use of an RCD reduces the risk of electric shock.
- G. **Disconnect the plug from the power source when the appliance is not in use.**

3. Personal safety

- A. **Stay alert, watch what you are doing and use common sense when operating a power tool. Do not use a power**

tool while you are tired or under the influence of drugs, alcohol or medication. A moment of inattention while operating power tools may result in serious personal injury.

- B. **Use personal protective equipment. Always wear eye protection.** Protective equipment such as dust mask, non-skid safety shoes, hard hat, or hearing protection used for appropriate conditions will reduce personal injuries.
- C. **Prevent unintentional starting. Ensure the switch is in the off-position before connecting to power source and/or battery pack, picking up or carrying the tool.** Carrying power tools with your finger on the switch or energising power tools that have the switch on invites accidents.
- D. **Remove any adjusting key or wrench before turning the power tool on.** A wrench or a key left attached to a rotating part of the power tool may result in personal injury.
- E. **Do not overreach. Keep proper footing and balance at all times.** This enables better control of the power tool in unexpected situations.
- F. **Dress properly. Do not wear loose clothing or jewelry. Keep your hair, clothing and gloves away from moving parts.** Loose clothes, jewelry, or long hair can be caught in moving parts.
- G. **If devices are provided for the connection of dust extraction and collection facilities, ensure these are connected and properly used.** Use of these devices can reduce dust-related hazards.
- H. **Keep hands and feet away from the cutting area.**

4. Power tool use and care

- A. **Do not force the power tool. Use the correct power tool for your application.** The correct power tool will do the job better and safer at the rate for which it was designed.
- B. **Do not use the power tool if the switch does not turn it on and off.** Any power tool that cannot be controlled with the switch is dangerous and must be repaired.
- C. **Disconnect the plug from the power source and/or the battery pack from the power tool before making any adjustments, changing accessories, or storing power tools.** Such preventive safety measures reduce the risk of starting the power tool accidentally.
- D. **Store idle power tools out of the reach of children and do not allow persons unfamiliar with the power tool or these instructions to operate the power tool.** Power tools are dangerous in the hands of untrained users.
- E. **Store idle appliances indoors.** When not in use, appliances should be stored indoors in a dry and high or locked-up place, out of the reach of children.

- F. **Maintain power tools. Check for misalignment or binding of moving parts, breakage of parts and any other condition that may affect the power tools operation. If damaged, have the power tool repaired before use. Many accidents are caused by poorly maintained power tools.**
 - G. **Keep cutting tools sharp and clean. Properly maintained cutting tools with sharp cutting edges are less likely to bind and are easier to control.**
 - H. **Use the power tool, accessories and tool bits etc., in accordance with these instructions and in the manner intended for the particular type of power tool, taking into account the working conditions and the work to be performed. Use of the power tool for operations different from those intended could result in a hazardous situation.**
 - I. **Keep guards in place and in working order.**
5. **Service**
- Have your power tool serviced by a qualified repair person using only identical replacement parts. This will ensure that the safety of the power tool is maintained.**

⚠ WARNING

To reduce the risk of electrical shock use the trimmer only with an extension cord intended for outdoor use, such as an extension cord of cord type SW-A, SOW-A, STW-A, STOW-A, SJW-A, SJOW-A, SJTW-A, or SJTOW-A.

Ensure that your extension cord is in good condition. When using an extension cord, use one heavy enough to carry the current your product will draw. An undersized extension cord will cause a drop in line voltage resulting in loss of power and overheating. The following table lists the correct cord size depending on the length of the cord. If you are in doubt, use the next heavier gage. The smaller the gage number the heavier the gage.

Extension Cord Length	Minimum Wire Gage (A.W.G.)
100 ft.	16
150 ft.	14

Note: Do not use an extension cord over 150 feet.

To reduce the risk of disconnection of the extension cord during use, connect the extension cord to the trimmer as illustrated in the Operation section of this manual.

SAVE THESE INSTRUCTIONS

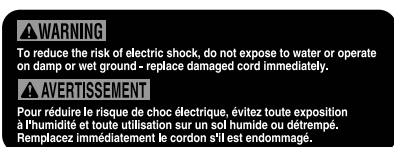
Extension Cord

Safety and Instructional Decals



Safety decals and instructions are easily visible to the operator and are located near any area of potential danger. Replace any decal that is damaged or lost.

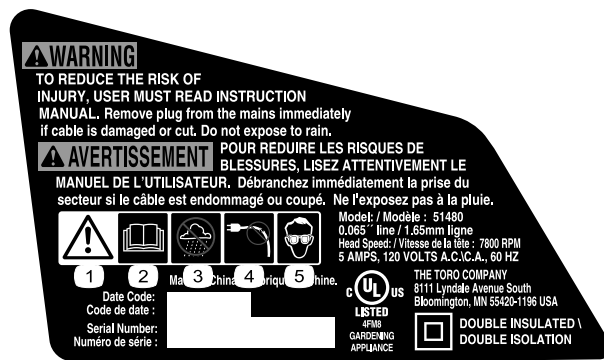
Symbol	Name	Designation/Explanation
AC	Alternating current	Type of current
A	Amperes	Current
Hz	Hertz	Frequency (cycles per second)
RPM	Revolutions per minute	Speed of string
V	Volts	Voltage



ID-1006



ID-1009



ID-1007

1. Warning
2. Read the *Operator's Manual*.
3. Do not use in wet environments.
4. Do not use if cord is damaged
5. Wear eye protection

Setup

Loose Parts

Use the chart below to verify that all parts have been shipped.

Procedure	Description	Qty.	Use
1	Auxiliary handle	1	Installing auxiliary handle.
	Latch	1	
	Brace	1	
2	Guard	1	Mounting the guard to the base of the trimmer.
	Phillips head screw	1	
3	No parts required	–	

1

Installing the Auxiliary Handle

Parts needed for this procedure:

1. Position the auxiliary handle on the shaft of the trimmer with the smooth surface facing the operator (Figure 1).

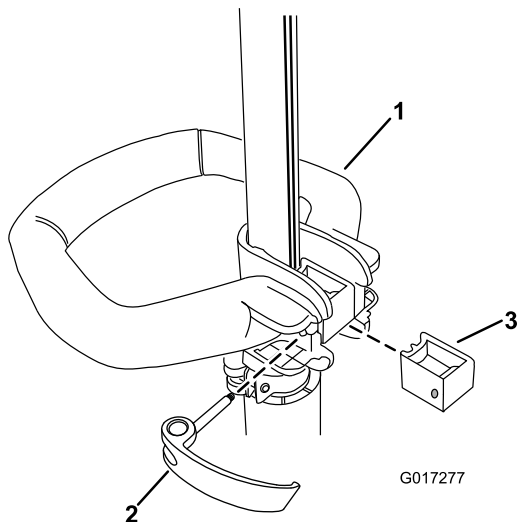


Figure 1

1. Auxiliary handle
2. Latch
3. Brace

2. Slide the brace into the auxiliary handle so that the brace rests in the groove along the shaft (Figure 1).
3. Slide the latch from the left through the handle and brace as shown and tighten the latch screw with a Phillips head screwdriver (Figure 1).

2

Installing the Guard

Parts needed for this procedure:

1. Slide the guard onto the trimmer base as shown in Figure 2.

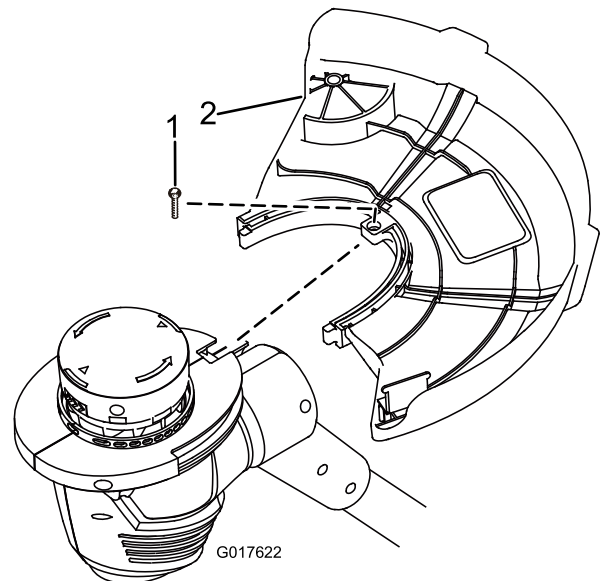


Figure 2

1. Phillips head screw
2. Guard

2. Secure the guard using a Phillips head screw.

3

Adjusting the Trimmer Height and Base Orientation

No Parts Required

- To adjust handle height, flip the auxiliary handle latch, slide it up or down to the desired height, then secure it in place by closing the latch (Figure 3).

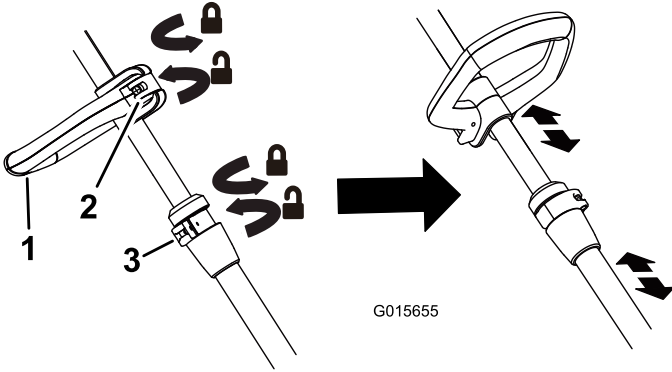


Figure 3

1. Auxiliary handle
2. Auxiliary handle latch
3. Height adjustment latch

- To adjust the trimmer height, open the height adjustment latch, then slide the shaft up or down to desired height, securing it in place with the latch (Figure 3).
- To adjust the orientation of the base, press down on the rotator button located at the base of the shaft, then move the base to face the desired direction (Figure 4).

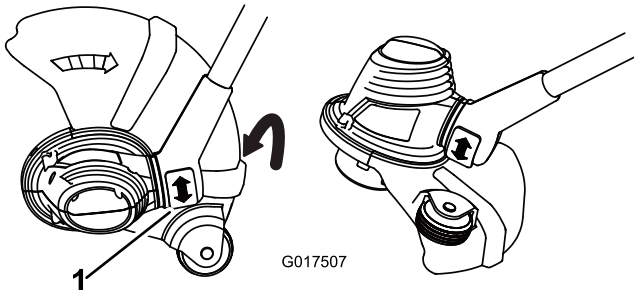


Figure 4

1. Rotator button

Operation

Connecting to a Power Source

⚠ WARNING

If you do not fully seat the extension cord on the inlet plug, the loose plug could lead to overheating and cause a fire, possibly burning you or others.

Ensure that you fully seat the cord on the plug and use the cord lock feature to secure the cord.

NOTICE! Do not use a damaged cord.

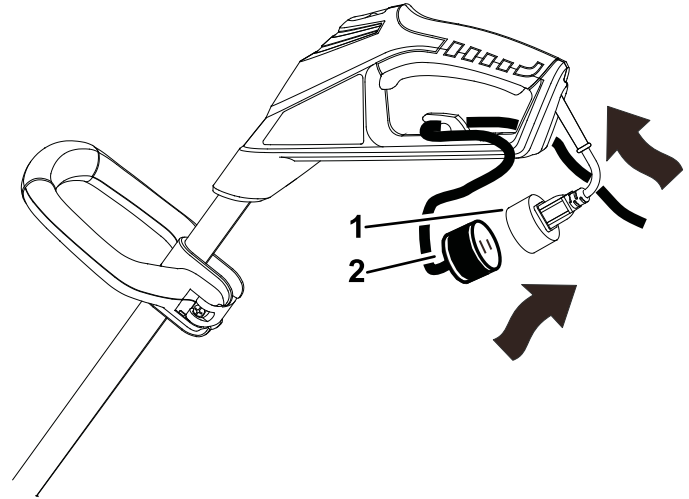


Figure 5

1. Inlet plug
2. Extension cord

Starting the Trimmer

To start the trimmer, slide the lock switch back to the On position, then squeeze the trigger (Figure 6).

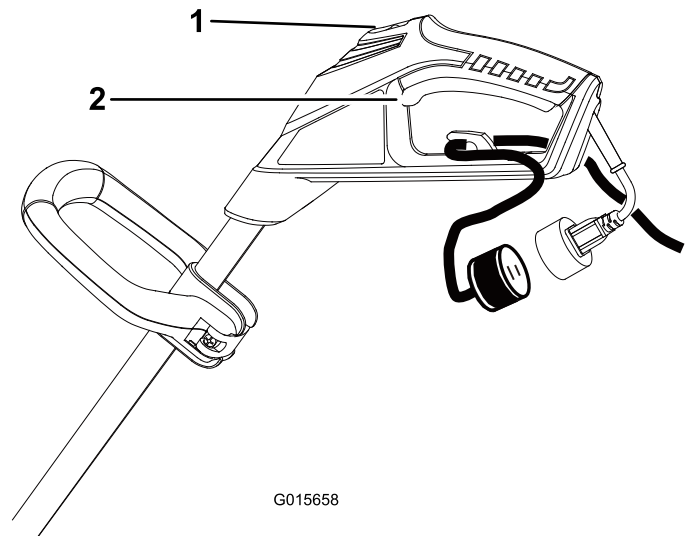


Figure 6

1. Lock switch
2. Trigger

Stopping the Trimmer

To stop the trimmer, release the trigger.

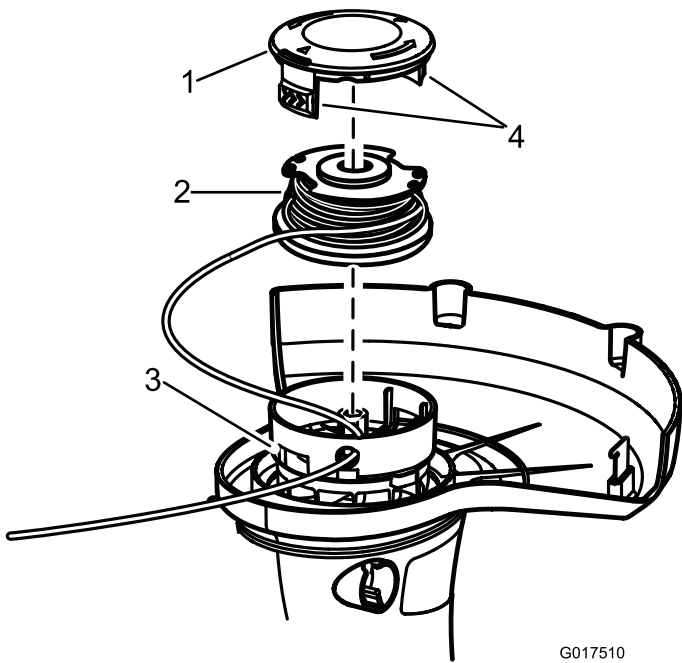
Advancing the Line

Note: The trimmer is equipped with an auto-feed head.

- With the trimmer running, release the switch trigger.
- Wait two seconds, then press the switch trigger.

Note: The line will extend approximately 1/4 in. (6 mm) with each stop and start of the switch trigger until the line reaches the length of the grass deflector blade.

- Resume trimming.



G017510

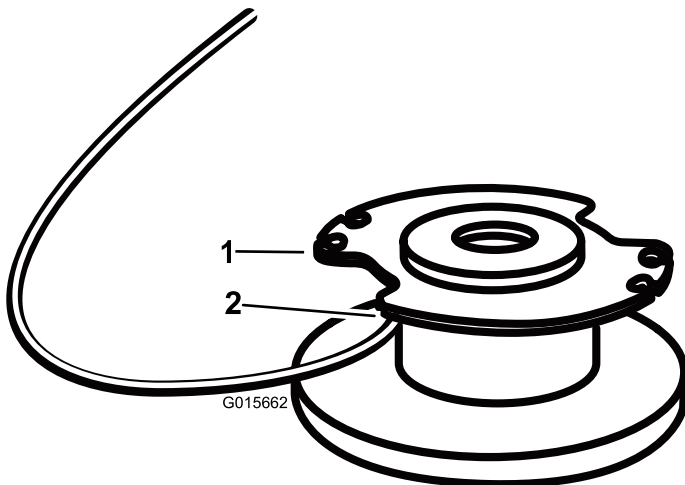
Figure 10

- | | |
|-------------------|----------|
| 1. Spool retainer | 3. Slots |
| 2. Spool | 4. Tabs |

3. Pull the spool retainer up to remove it and remove the spool.
4. To install the new spool, make sure the string is captured in one of the retaining slots on the new spool. Make sure the end of the string extends approximately 6 in. (152 mm).
5. Install the new spool so that the string aligns with the eyelet in the string head. Thread the string into the eyelet.
6. Pull the string extending from the string head so the string releases from the slot in the spool.
7. Reinstall the spool retainer by depressing tabs into slots and pushing down until spool retainer clicks into place.

Replacing the String

1. Remove the battery.
2. Remove the spool. See Replacing the Spool (Figure 11).



G015662

Figure 11

- | | |
|----------|---------|
| 1. Spool | 2. Hole |
|----------|---------|

Note: Remove any old string remaining on the spool.

3. The spool will accept up to 15 feet of string. **Use only .065 in. (1.65 mm) diameter monofilament string.**

Note: Do not use any other gauge or type of string, as this could damage the trimmer.

4. Insert the string into the anchor hole in the upper part of the spool (Figure 11). Wind the string onto the spool in the direction shown by the arrows on the spool.
5. Place the string in the slot on the upper spool flange, leaving about 6 in. (152 mm) extended beyond the slot.

Note: Do not overfill. After winding the string, there should be at least 1/4 in. (6 mm) between the wound string and the outside edge of the spool.

6. Replace the spool and the spool retainer. Refer to Spool Replacement earlier in this manual.

Service

Toro has designed this product to give you years of trouble free use. Should it need service, take the product to your Authorized Toro Service Dealer. Your Toro Dealer is specially trained to repair Toro products and will ensure that your Toro stays "All" Toro.

Double-insulated Appliance

In a double-insulated appliance, two systems of insulation are provided instead of grounding. No grounding means is provided on a double-insulated appliance, nor should a means for grounding be added to the appliance. Servicing a double-insulated appliance requires extreme care and knowledge of the system, and should be done only by the qualified service personnel at your Authorized Toro Service Dealer. Replacement parts for a double-insulated appliance must be identical to the parts they replace. A double-insulated appliance is marked with the words "Double Insulation" or "Double Insulated." The symbol (square within a square) may also be marked on the appliance.

Storage

Store the trimmer and extension cord indoors in a cool dry location and out of reach of children and animals.

NOTICE! Do not rest the trimmer on the guard, or it may warp and interfere with the cutting line.

Note: Devices for retaining extension cords are commercially available.

The Toro Promise - Electric Trimmers

A Two-Year Full Warranty for Residential Use for the United States and Canada

The Toro Company and its affiliate, Toro Warranty Company, pursuant to an agreement between them, jointly warrant this product for two years against defects in material or workmanship when used for normal residential purposes.*

- If you have questions or problems, or before returning this product, call toll free: 1-800-237-2654 (US) or 1-800-248-3258 (Canada).
- To receive a replacement or repair, at our option, return the complete unit to the seller. United States and Canada customers may return their product, with proof of purchase, to any Authorized Service Dealer. United States customers may also return their product, with proof of purchase, postage prepaid, to the Toro Service Center, 21350 Cedar Avenue S., Lakeville, MN 55044-9090.

This warranty covers product defects only. **Neither The Toro Company nor Toro Warranty Company is liable for indirect, incidental or consequential damages in connection with the use of the Toro Products covered by this warranty, including any cost or expense of providing substitute equipment or service during reasonable periods of malfunction or non-use pending completion of repairs under this warranty. Some states do not allow exclusions of incidental or consequential damages, so the above exclusions may not apply to you.** This warranty gives you specific legal rights, and you may also have other rights which vary from state to state.

Countries Other than the United States and Canada

Customers who have purchased Toro products exported from the United States or Canada should contact their Toro Distributor (Dealer) to obtain guarantee policies for your country, province, or state. If for any reason you are dissatisfied with your Distributor's service or have difficulty obtaining guarantee information, contact the Toro importer. If all other remedies fail, you may contact us at Toro Warranty Company.

* Residential use means use of the product on the same lot as your home.

Part Number 374-0279 Rev. A