



**Count on it.**

**Parts Catalog**

**50in Bagger**

**TimeCutter® MX Series Riding Mower**

**Model No. 79337—Serial No. 31200001 and Up**

# Ordering Replacement Parts

To order replacement parts, please supply the part number, the quantity, and the description of each part desired.

## Understanding Reference Numbers

Each identified part in an illustration has a reference number. The reference number for a part also appears in the parts list, along with other information about the part.

This catalog uses two special reference number formats, one to indicate parts in a service assembly and another to indicate the quantity of a given part in an illustration.

## Service Assembly Reference Numbers

Parts in service assemblies have reference numbers in the form a:b. The a represents the reference number of the entire service assembly and the b represents a sequential number unique to each part within the service assembly.

For example, a wheel assembly might be identified by reference number 6, the tire by 6:1, the valve by 6:2, and the wheel by 6:3. When you order the assembly identified by reference number 6, you receive all parts identified by reference numbers 6:1, 6:2, and 6:3. However, you may also order any part individually. Reference numbers of this type appear in illustration and in parts lists.

## Reference Numbers Indicating Quantity

In an illustration, if a reference number indicates more than one part, the reference number has the form nX y. The n represents the quantity of the part, the X is the multiplication symbol, and the y represents the reference number.

For example, in an illustration, the reference number 2X 37 means that two of the parts identified by reference number 37 are indicated.

# List of Abbreviations

**AR:** as required

**ASM:** assembly

**BBC:** blade brake control

**BHTF:** button head thread forming

**CARR:** carriage

**CCW:** counter clockwise

**CW:** clockwise

**DEG:** degrees

**DPA:** Dual Point Adjustment

**ECM:** electronic control module

**EXT:** external

**FH:** flat head

**GA:** gauge

**HD:** heavy-duty

**HF:** hex flange

**HH:** hex head

**HHF:** hex head flange

**HHFTF:** hex head flange thread forming

**HJ:** hex jam

**HLH:** hex lag head

**HOC:** height-of-cut

**HSBH:** hex socket button head

**HSFH:** hex socket flat head

**HSH:** hex socket head

**HWH:** hex washer head

**HWTF:** hex washer head thread forming

**HYD:** hydraulic

**LH:** left hand

**LPG:** Liquid Propane Gas

**NI:** nylon insert

**NPTF:** national pipe thread fine

**PFH:** phillips flat head

**PPH:** phillips pan head

**PPHTF:** phillips pan head thread forming

**PRH:** phillips round head

**PTH:** phillips truss head

**PTO:** power-take-off

**RH:** right hand

**ROPS:** roll-over protection system

**RRB:** rear roller brush

**SFH:** slotted fillister head

**SHH:** slotted hex head

**SHWH:** slotted hex washer head

**SPH:** slotted pan head

**SQH:** square head

**SRH:** slotted round head

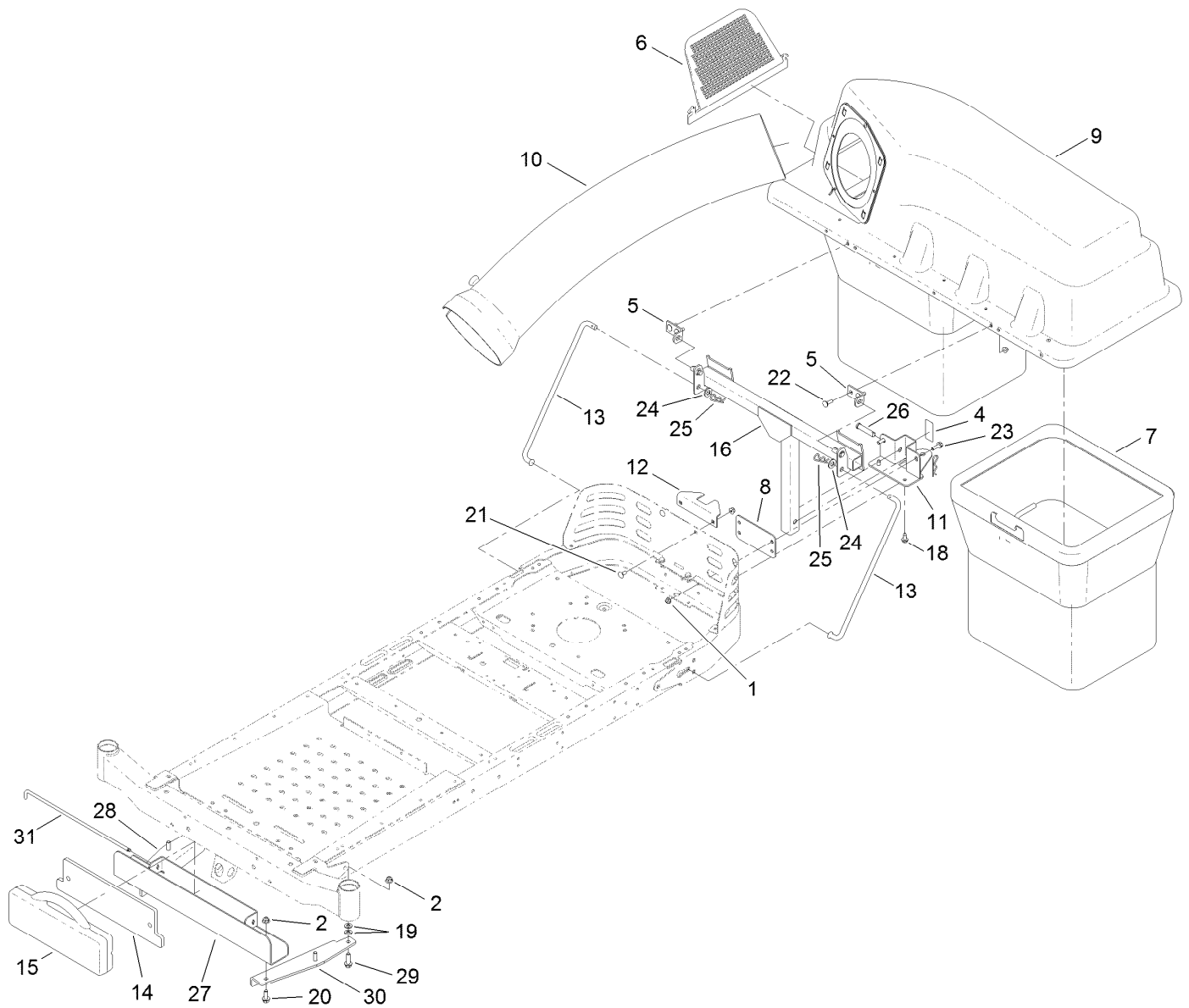
**STD:** standard

**TAP:** self tapping

**TTH:** torx truss head

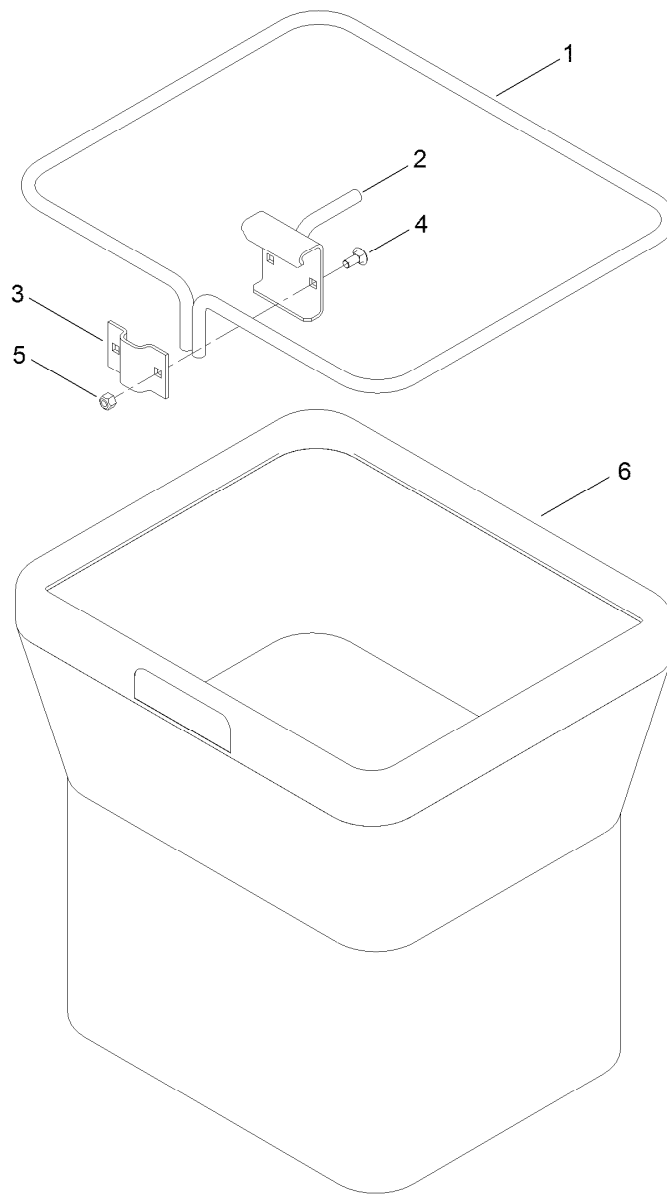
# Contents

50 Inch Bagger Assembly .....	4
Bag Assembly No. 112-3994 .....	5
Bagger Top Assembly No. 117-5370 .....	6
Chute Assembly .....	7
Chute Assembly No. 121-5651 .....	8



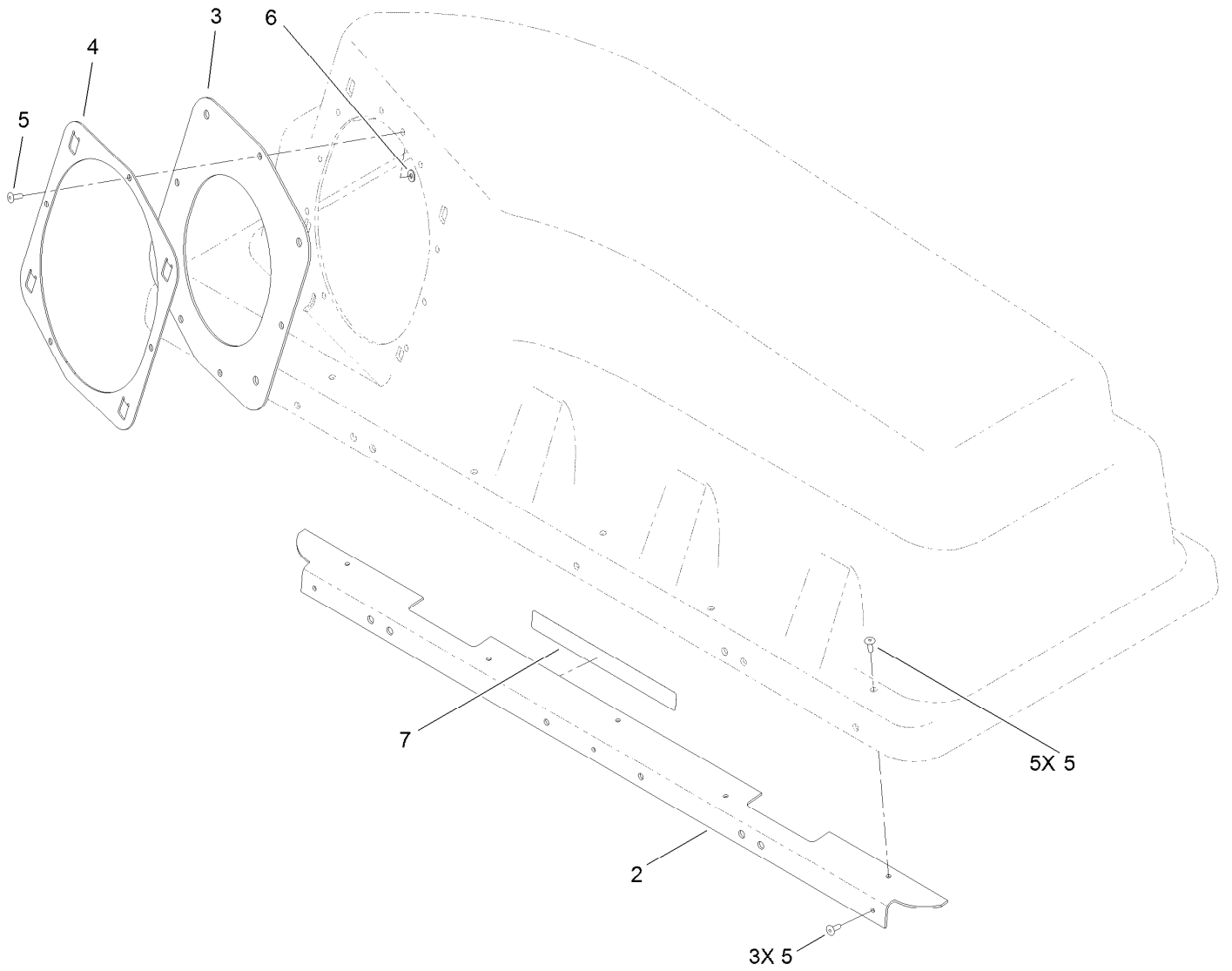
## 50 Inch Bagger Assembly

Ref.	Part Number	Qty.	Description	Ref.	Part Number	Qty.	Description
1	104-8300	8	Nut-Flange, NI	16	120-2292-03	1	Frame-Pivot
2	104-8301	4	Nut-Flange, NI	18	32144-70	2	Screw-HWHTF
4	109-7076	1	Decal-Maximum Drawbar Pull	19	3256-24	4	Washer-Flat
5	112-3987	2	Bracket-Pivot, Hopper	20	3234-42	2	Screw-HHF
6	112-3993	1	Screen-Bagger	21	3230-1	2	Bolt-CARR
7	112-3994	2	Bag ASM	22	3230-2	4	Bolt-CARR
8	117-5355-03	1	Plate	23	3234-29	2	Screw-HHF
9	117-5370	1	Bagger Top ASM	24	3256-26	2	Washer-Flat
10	112-3995	1	Tube-Bagger	25	3290-355	3	Pin-Hair
11	119-8850-03	1	Support-Bagger	26	92-2739	1	Pin-Clevis
12	119-8852-03	1	Bracket-Stabilizer	27	120-5491-03	1	Channel-Bagger Weight
13	119-8853	2	Rod-Support	28	120-5502-03	1	Bracket-Bagger Weight, RH
14	120-5495-03	1	Plate	29	119-4061	4	Screw-HHF
15	109-9742-03	1	Weight-35 Pound	30	120-5497-03	1	Bracket-Bagger Weight
				31	109-9759	1	Pin-Weight



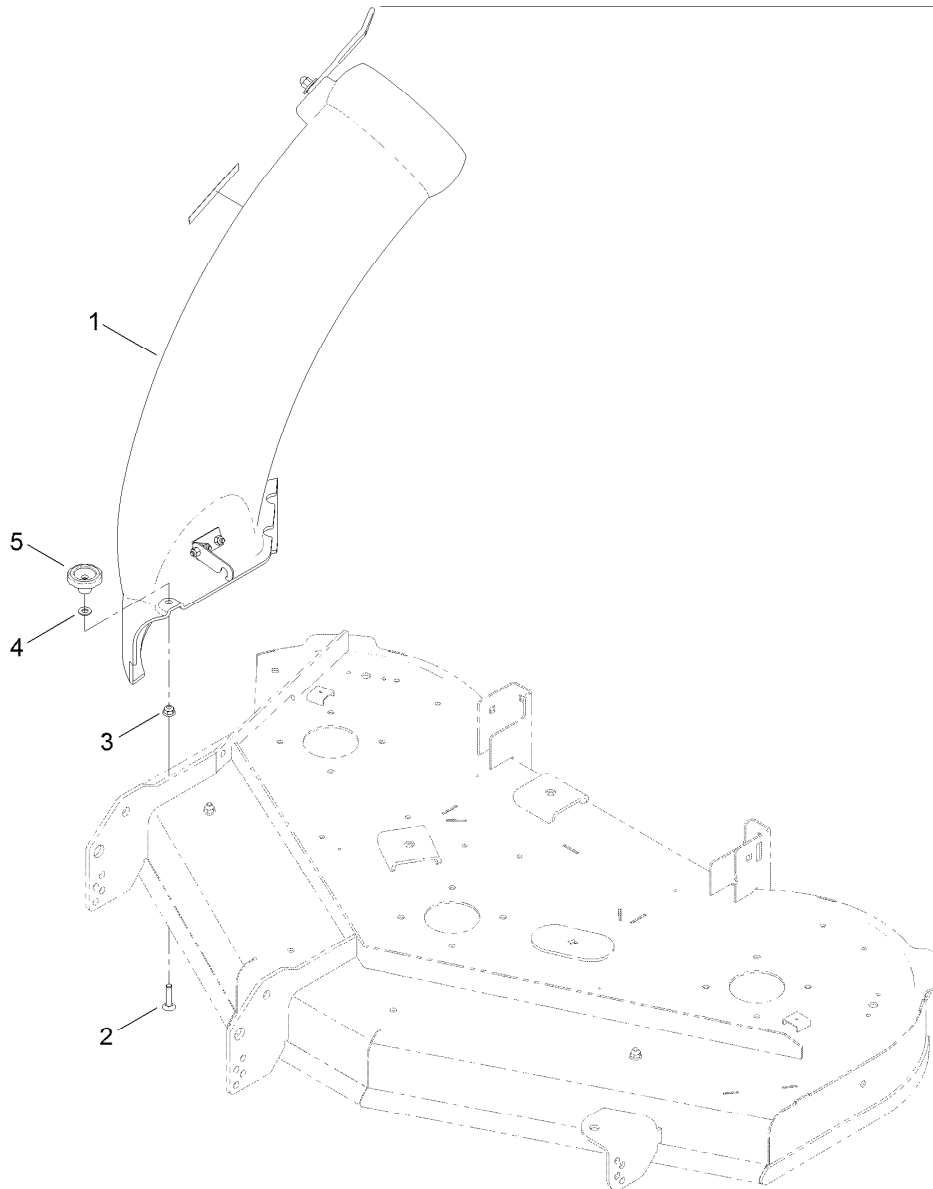
## Bag Assembly No. 112-3994

<i>Ref.</i>	<i>Part Number</i>	<i>Qty.</i>	<i>Description</i>
1	114972-03	1	Frame-Bag
2	112-4012-03	1	Hanger ASM
3	114974-03	1	Clamp
4	3230-1	2	Bolt-CARR
5	3296-29	2	Nut-Lock, NI
6	110-6674	1	Bag



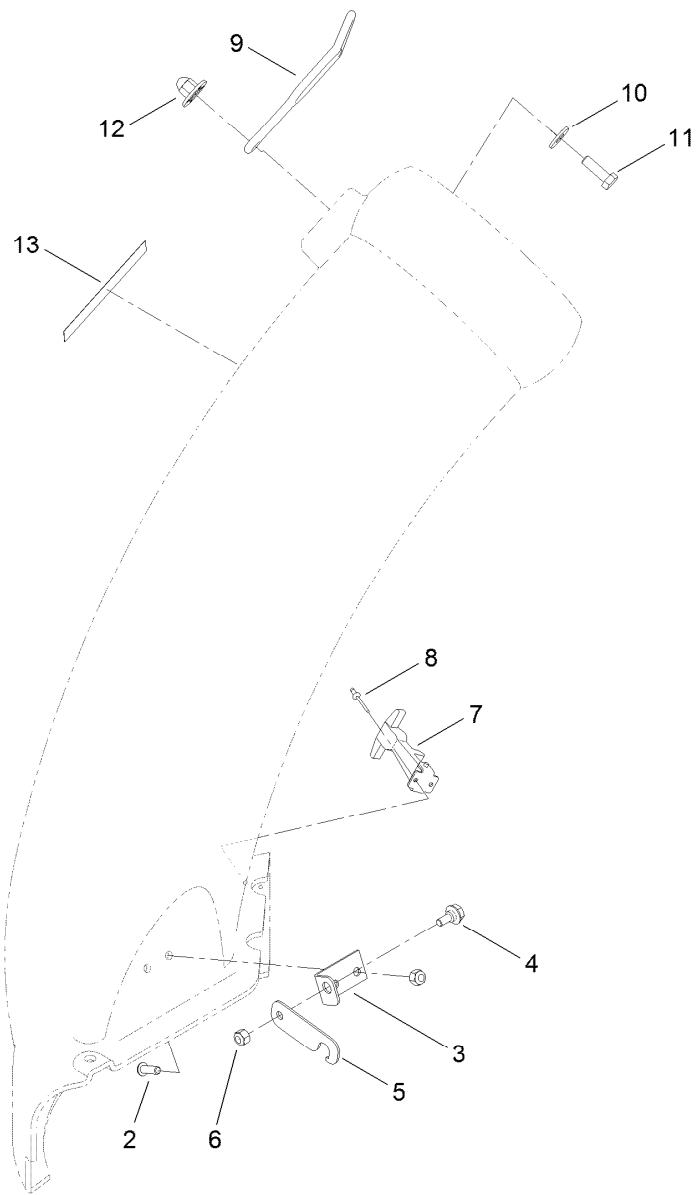
## Bagger Top Assembly No. 117-5370

<i>Ref.</i>	<i>Part Number</i>	<i>Qty.</i>	<i>Description</i>
2	116-1242-03	1	Stiffener-Bagger Top
3	112-4001	1	Gasket
4	112-4000-03	1	Ring-Retainer
5	114439	12	Rivet-Pop
6	9202704	4	Washer
7	109-6809	1	Decal-Caution Bagger



## Chute Assembly

<i>Ref.</i>	<i>Part Number</i>	<i>Qty.</i>	<i>Description</i>
1	121-5651	1	Chute ASM
2	112-6950	1	Screw-CARR
3	104-8300	1	Nut-Flange, NI
4	3256-23	1	Washer-Flat
5	19-4050	1	Knob



## Chute Assembly No. 121-5651

<i>Ref.</i>	<i>Part Number</i>	<i>Qty.</i>	<i>Description</i>
2	3274-69	2	Screw-HSBH
3	112-4038	1	Plate-Pivot
4	40-8350	1	Screw
5	121-0760	1	Latch
6	3296-42	3	Nut-Lock, NI
7	117344	1	Handle ASM
8	3269-31	2	Rivet-Pop
9	82-5690	1	Retainer-Duct
10	3256-3	1	Washer-Flat
11	322-5	1	Screw-HH
12	114-9015	1	Nut-Impeller
13	110-6691	1	Decal-Danger

**Notes:**

**Notes:**

**Notes:**



**Count on it.**