



Count on it.

Parts Catalog

DT Series Turf Sprinkler

Model No. DT Series

Ordering Replacement Parts

To order replacement parts, please supply the part number, the quantity, and the description of each part desired.

Understanding Reference Numbers

Each identified part in an illustration has a reference number. The reference number for a part also appears in the parts list, along with other information about the part.

This catalog uses two special reference number formats, one to indicate parts in a service assembly and another to indicate the quantity of a given part in an illustration.

Service Assembly Reference Numbers

Parts in service assemblies have reference numbers in the form a:b. The a represents the reference number of the entire service assembly and the b represents a sequential number unique to each part within the service assembly.

For example, a wheel assembly might be identified by reference number 6, the tire by 6:1, the valve by 6:2, and the wheel by 6:3. When you order the assembly identified by reference number 6, you receive all parts identified by reference numbers 6:1, 6:2, and 6:3. However, you may also order any part individually. Reference numbers of this type appear in illustration and in parts lists.

Reference Numbers Indicating Quantity

In an illustration, if a reference number indicates more than one part, the reference number has the form nX y. The n represents the quantity of the part, the X is the multiplication symbol, and the y represents the reference number.

For example, in an illustration, the reference number 2X 37 means that two of the parts identified by reference number 37 are indicated.

List of Abbreviations

AR: as required

ASM: assembly

BBC: blade brake control

BHTF: button head thread forming

CARR: carriage

CCW: counter clockwise

CW: clockwise

DEG: degrees

DPA: Dual Point Adjustment

ECM: electronic control module

EXT: external

FH: flat head

GA: gauge

HD: heavy-duty

HF: hex flange

HH: hex head

HHF: hex head flange

HHFTF: hex head flange thread forming

HJ: hex jam

HLH: hex lag head

HOC: height-of-cut

HSBH: hex socket button head

HSFH: hex socket flat head

HSH: hex socket head

HWH: hex washer head

HWHTF: hex washer head thread forming

HYD: hydraulic

LH: left hand

LP: Liquid Propane

NI: nylon insert

NPTF: national pipe thread fine

PFH: phillips flat head

PPH: phillips pan head

PPHTF: phillips pan head thread forming

PRH: phillips round head

PTH: phillips truss head

PTO: power-take-off

RH: right hand

ROPS: roll-over protection system

RRB: rear roller brush

SFH: slotted fillister head

SHH: slotted hex head

SHWH: slotted hex washer head

SPH: slotted pan head

SQH: square head

SRH: slotted round head

STD: standard

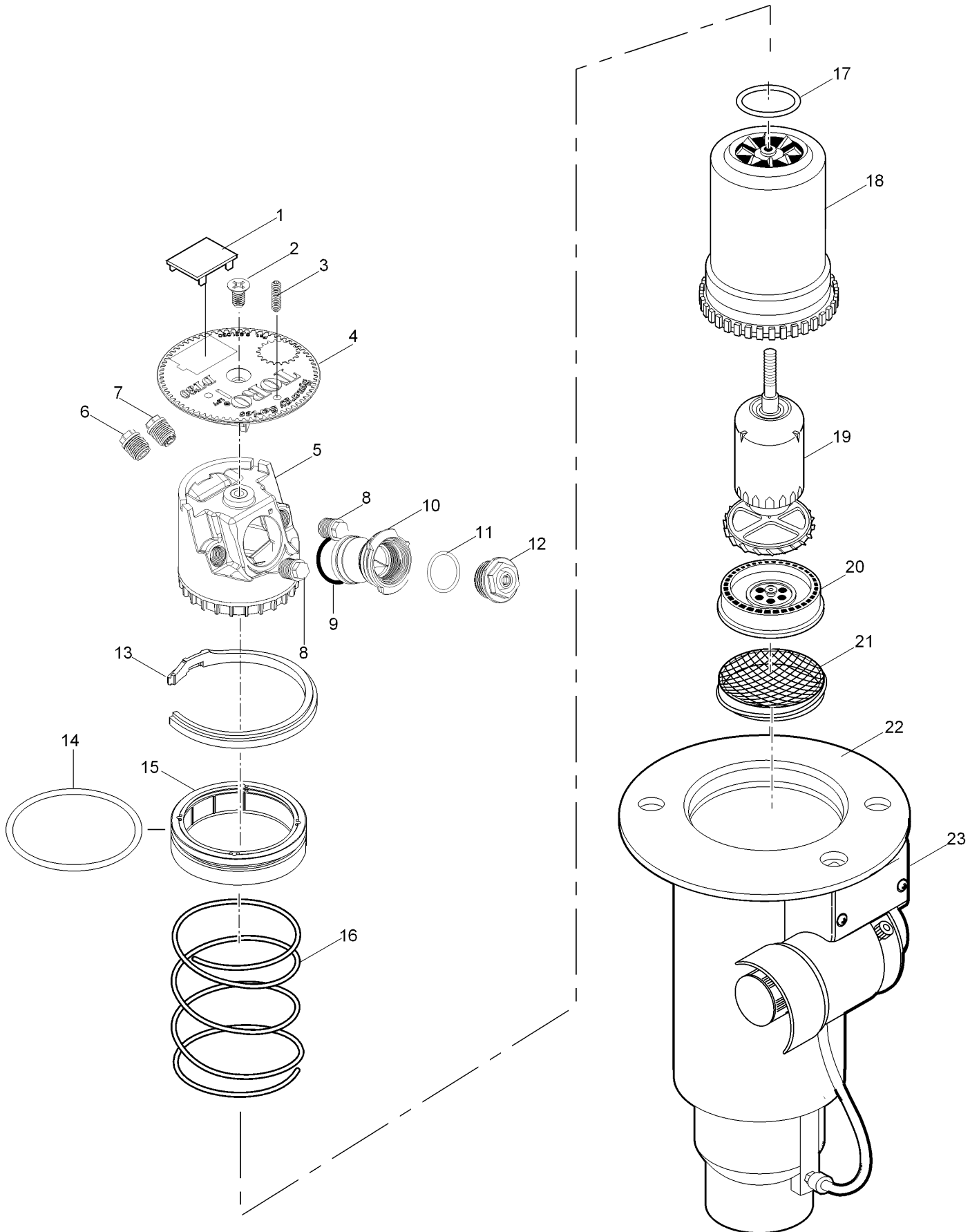
TAP: self tapping

TTH: torx truss head

Contents

- DT34 Series Sprinkler 4
- DT34B Series Sprinkler..... 6
- DT35 Series Sprinkler 8
- DT35B Series Sprinkler..... 10
- DT54 Series Sprinkler 12
- DT55..... 14
- DT55 Ribless Body Conversion 18

DT34 Series Sprinkler



DT34 Series Sprinkler (continued)

Ref.	Part Number	Qty.	Description	Ref.	Part Number	Qty.	Description
1	89-1589	1	Plug, Cap (Black)	20	102-1940	1	Stator Assembly, Medium Flow, White (Used W/ #5-7 Main Nozzles)
2	102-0362	1	Screw, Cap	21	102-1715	1	Screen, Riser
3	363-4839	1	Radius Reduction Screw	22		1	Body Assembly (See Golf Sprinkler Body Assembly) ♦
4	102-4752	1	Cap, Dt Series	23		1	Pilot Valve Assembly (See Pilot Valve) ♦
4	102-5588	1	Cap, Dt Series, Effluent		102-2208		Nozzle, Main, #0, Blank, White ●▲
5	102-5837	1	Nozzle Base Assembly		118-1491	1	Adapter, Main Nozzle ●▲
6	102-2925	1	Intermediate Nozzle, Blue (Used W/ #1 Main)		102-5672		Cap, Blank ●▲
6	102-2926	1	Intermediate Nozzle, Orange (Used W/ #2 Main)		102-5673		Cap, Blank, Effluent ●▲
6	102-2928	1	Intermediate Nozzle, Red (Used W/ #3 Main)		YARDMARKYELLOW	10	Yardage Marker, Yellow (10-Sheets Per Pack) ●▲
6	102-2929	1	Intermediate Nozzle, Beige (Used W/ #4 & 5 Mains)		YARDMARKLAVENDER	10	Yardage Marker, Lavender (For Non-Potable Water Applications) ●▲
6	102-6944	1	Intermediate Nozzle Assy., Red W/ Stream Straightener (Used W/ #6 Main)		DT34-3134		Conversion, Full Circle, W/ #31, #32, #33 & #34 Nozzles ●▲□
6	102-6945	1	Intermediate Nozzle Assy., Gray W/ Stream Straightener (Used W/ #7 Main)		DT34-3134E		Conversion, Full Circle, W/ #31, #32, #33 & #34 Nozzles And Effluent Cap ●▲□
6	102-6883	1	Intermediate Nozzle, Brown (Used W/ #7 Main, Front Position On The Right Of Main)		DT34-3537		Conversion, Full Circle, W/ #35, #36 & #37 Nozzles ●▲□
7	102-6937	1	Nozzle Assy. Inner, Yellow Nozzle W/ Yellow Helical Restrictor		DT34-3537E		Conversion, Full Circle, W/ #35, #36 & #37 Nozzles And Effluent Cap ●▲□
8	102-4335	2	Plug, Nozzle		995-08		Valve Removal Tool ■▲
9	102-5978	1	O-Ring, Nozzle Housing		995-76		Valve Insertion Tool ■▲
10	102-5597	1	Nozzle Housing Assy. (Includes Item 9)		995-15		Selector Tool (Flag Key) ■▲
11	363-4978	1	O-Ring, Main Nozzle		995-99		Nut Driver, 5/8" (For Main Nozzle) ■▲
12	102-0725	1	Nozzle, Main, #1, Yellow		995-105		Nut Driver, 5/16" (For Inner & Intermediate Nozzles And Plugs) ■▲
12	102-7001	1	Nozzle, Main, #2, Blue		995-83		Multi-Purpose Tool ■▲
12	102-0727	1	Nozzle, Main, #3, Brown		995-85		Riser Removal Tool ■▲
12	102-7002	1	Nozzle, Main, #4, Orange		995-100		Valve Snap Ring Pliers With Screen Remover ■▲
12	102-6908	1	Nozzle, Main, #5, Green		995-102	1	Riser Hold-Up Tool, Universal ■▲
12	102-0730	1	Nozzle, Main, #6, Gray		118-0954	1	Riser Hold-Up Tool, Red ●▲
12	102-4261	1	Nozzle, Main, #7, Black				
13	89-1385	1	Snap Ring, Riser				
14	363-4102	1	O-Ring, Paraffin As-568 232				
15	102-0134	1	Retainer, Seal				
16	102-0151	1	Spring, Return				
17	363-4167	1	O-Ring, Nozzle Base				
18	102-0202	1	Riser				
19	102-4503	1	Drive Assembly, 12-Pack				
20	102-6929	1	Stator, Low Flow, High Velocity, Blue (Used W/ #1-4 Main Nozzles)				

● SERVICE ITEMS

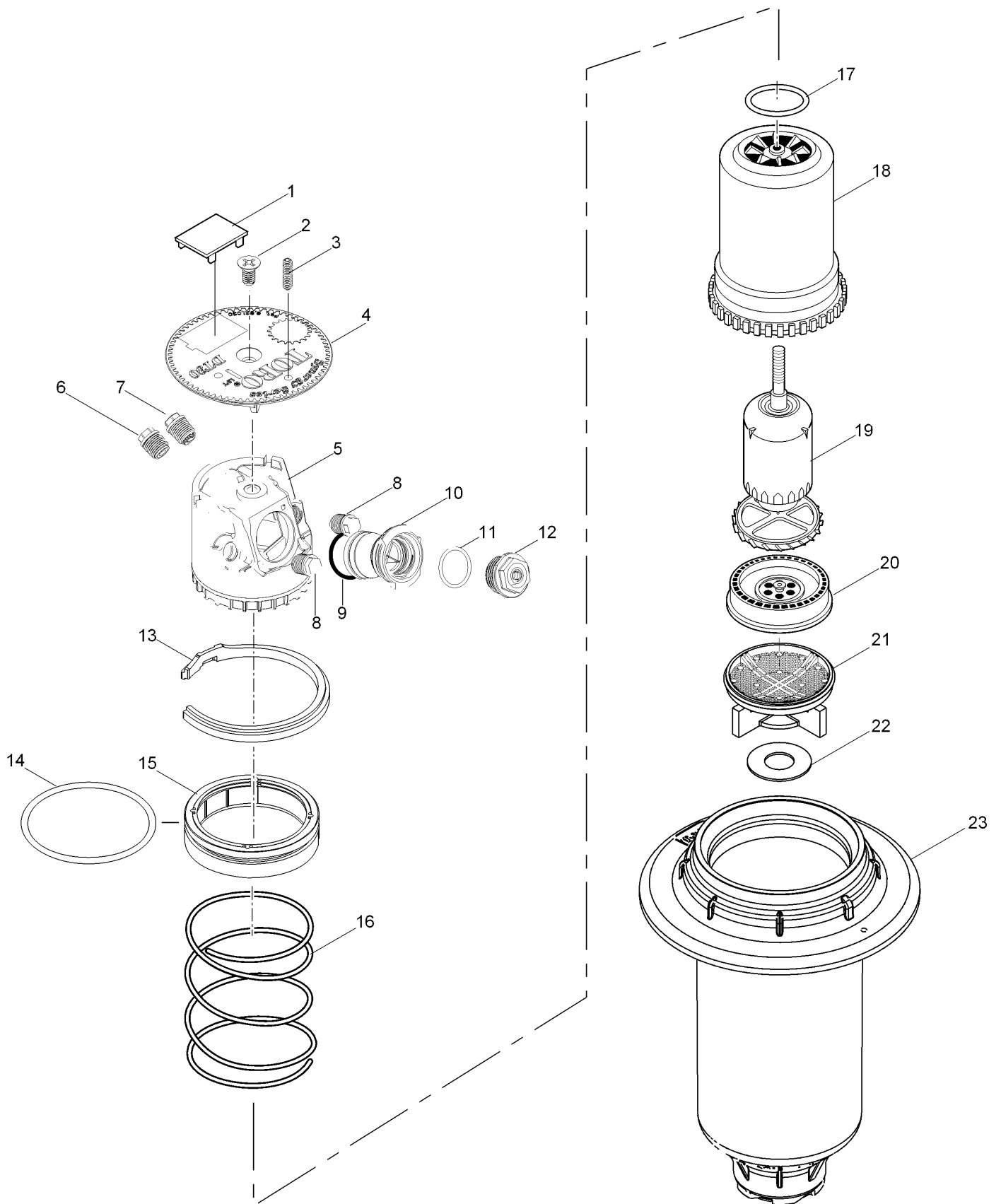
▲ Not illustrated

□ Order Through Finished Goods Distribution System - Minneapolis

■ SERVICE TOOLS

◆ Not serviced separately

DT34B Series Sprinkler



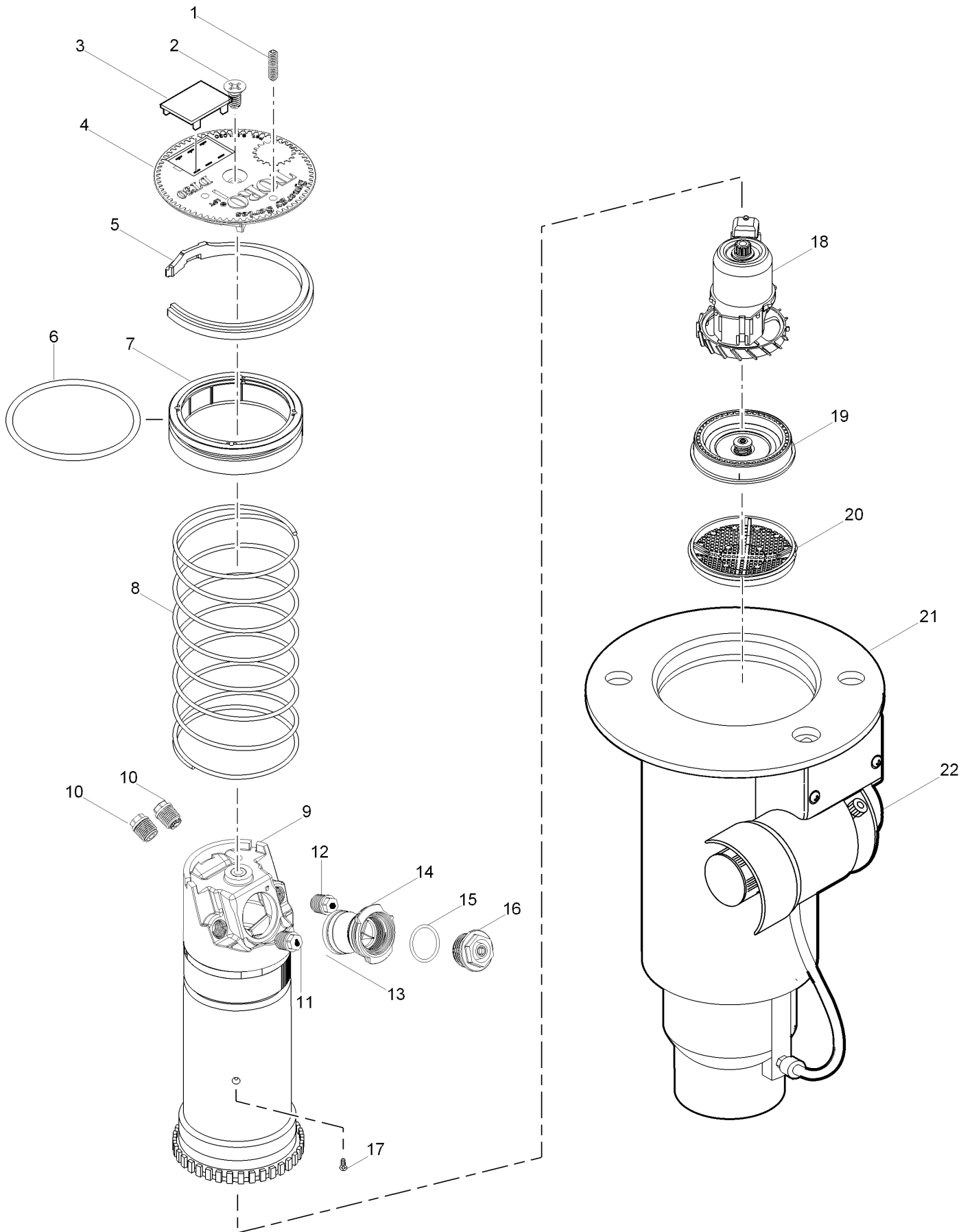
DT34B Series Sprinkler (continued)

Ref.	Part Number	Qty.	Description	Ref.	Part Number	Qty.	Description
1	89-1589	1	Plug, Cap (Black)	12	102-4260	1	Nozzle, Main, #8, Red
2	102-0362	1	Screw, Cap	13	89-1385	1	Snap Ring, Riser
3	363-4839	1	Radius Reduction Screw	14	363-4102	1	O-Ring, Paraffin As-568 232
4	102-4752	1	Cap, Dt Series	15	102-0134	1	Retainer, Seal
4	102-5588	1	Cap, Dt Series, Effluent	16	102-0151	1	Spring, Return
5	102-5837	1	Nozzle Base Assembly	17	363-4167	1	O-Ring, Nozzle Base
6	102-2925	1	Intermediate Nozzle, Blue (Used W/ #1 Main)	18	102-0202	1	Riser
6	102-2926	1	Intermediate Nozzle, Orange (Used W/ #2 Main)	19	102-4503	1	Drive Assembly, 12-Pack
6	102-2928	1	Intermediate Nozzle, Red (Used W/ #3 Main)	20	102-6929	1	Stator, Low Flow, High Velocity, Blue (Used W/ #1-4 Main Nozzles)
6	102-2929	1	Intermediate Nozzle, Beige (Used W/ #4 & 5 Mains)	20	102-1940	1	Stator Assembly, Medium Flow, White (Used W/ #5-8 Main Nozzles)
6	102-6944	1	Intermediate Nozzle Assy., Red W/ Stream Straightener (Used W/ #6 Main)	21	102-5152	1	Screen, Riser, W/ Check Seal Holder
6	102-6945	1	Intermediate Nozzle Assy., Gray W/ Stream Straightener (Used With #7 & 8 Mains)	22	102-7437	1	Seal, Check
6	102-6883	1	Intermediate Nozzle, Brown (Used W/ #7 & 8 Main, Front Position On The Right Of Main)	23	102-7419	1	Body, Npt
7	102-6937	1	Nozzle Assy. Inner, Yellow Nozzle W/ Yellow Helical Restrictor	23	102-7420	1	Body, Bsp
8	102-4335	2	Plug, Nozzle	23	102-7421	1	Body, Acme
9	102-5978	1	O-Ring, Nozzle Housing		102-2208		Nozzle, Main, #0, Blank, White ●▲
10	102-5597	1	Nozzle Housing Assy. (Includes Item 9)		118-1491	1	Adapter, Main Nozzle ●▲
11	363-4978	1	O-Ring, Main Nozzle		102-5672		Cap, Blank ●▲
12	102-0725	1	Nozzle, Main, #1, Yellow		102-5673		Cap, Blank, Effluent ●▲
12	102-7001	1	Nozzle, Main, #2, Blue		YARDMARKYELLOW	10	Yardage Marker, Yellow (10-Sheets Per Pack) ●▲
12	102-0727	1	Nozzle, Main, #3, Brown		YARDMARKLAV	10	Yardage Marker, Lavender (For Non-Potable Water Applications) ●▲
12	102-7002	1	Nozzle, Main, #4, Orange		995-99		Nut Driver, 5/8" (For Main Nozzle) ■▲
12	102-6908	1	Nozzle, Main, #5, Green		995-105		Nut Driver, 5/16" (For Inner & Intermediate Nozzles And Plugs) ■▲
12	102-0730	1	Nozzle, Main, #6, Gray		995-83		Multi-Purpose Tool ■▲
12	102-4261	1	Nozzle, Main, #7, Black		995-85		Riser Removal Tool ■▲
					995-102	1	Riser Hold-Up Tool, Universal ■▲
					118-0954	1	Riser Hold-Up Tool, Red ●▲

● SERVICE ITEMS
▲ Not illustrated

■ SERVICE TOOLS

DT35 Series Sprinkler



DT35 Series Sprinkler (continued)

Ref.	Part Number	Qty.	Description	Ref.	Part Number	Qty.	Description
1	363-4839	1	Radius Reduction Screw	19	102-1940	1	Stator Assembly, Medium Flow, White (Used W/ #5-7 Mains)
2	102-6138	1	Screw, Cap, Black	20	102-1715	1	Screen, Riser
3	89-1589	1	Plug, Cap (Black)	21		1	Body Assembly (See Separated Golf Body Assembly Section) ♦
4	102-4752	1	Cap, Dt Series	22		1	Pilot Valve Assembly (See Separated Pilot Valve Assembly Section) ♦
4	102-5588	1	Cap, Dt Series, Effluent		118-1491	1	Adapter, Main Nozzle ●▲
5	89-1385	1	Snap Ring, Riser		102-5672		Cap, Blank ●▲
6	363-4102	1	O-Ring, Paraffin As-568 232		102-5673		Cap, Blank, Effluent ●▲
7	102-0134	1	Retainer, Seal		YARDMARKYELLOW	10	Yardage Marker, Yellow (10-Sheets Per Pack) ●▲
8	102-0151	1	Spring, Return		YARDMARKLAVENDER	10	Yardage Marker, Lavender (For Non-Potable Water Applications) ●▲
9	102-5730	1	Riser Assembly		DT35-3134		Conversion, Part And Full Circle, W/ #31, #32, #33 & #34 Nozzles ●□▲
10	102-4335	2	Plug, Nozzle		DT35-3134E		Conversion, Part And Full Circle, W/ #31?#34 Nozzles And Effluent Cap ●□▲
11	102-5670	1	Nozzle Assy. Inner, Yellow W/ White Helical Restrictor (Used W/ #0-5 Mains)		DT35-3537		Conversion, Part And Full Circle, W/ #35, #36 & #37 Nozzles ●□▲
11	102-6531	1	Nozzle Assy., Inner, Green W/ White Helical Restrictor (Used W/ #6-7 Mains)		DT35-3537E		Conversion, Part And Full Circle, W/ #35?37 Nozzles And Effluent Cap ●□▲
12	102-6942	1	Intermediate Nozzle Assy., Beige W/ Stream Straightener (Used W/ #0 Main)		995-08		Valve Removal Tool ■▲
12	102-5671	1	Intermediate Nozzle Assy., Brown W/ Stream Straightener (Used W/ #1 Main)		995-76		Valve Insertion Tool ■▲
12	102-6884	1	Intermediate Nozzle, Yellow (Used W/ #2-4 Mains)		995-15		Selector Tool (Flag Key) ■▲
12	102-6885	1	Intermediate Nozzle, Green (Used W/ #5-7 Mains)		995-99		Nut Driver, 5/8" (For Main Nozzle) ■▲
13	102-5978	1	O-Ring, Nozzle Housing		995-105		Nut Driver, 5/16" (For Inner & Intermediate Nozzles And Plugs) ■▲
14	102-5597	1	Nozzle Housing Assy. (Includes Item 13)		995-83		Multi-Purpose Tool ■▲
15	363-4978	1	O-Ring, Main Nozzle		995-85		Riser Removal Tool ■▲
16	102-2208	1	Nozzle, Main, #0, Blank, White		995-100		Valve Snap Ring Pliers With Screen Remover ■▲
16	102-6906	1	Nozzle, Main, #1, Yellow		995-102	1	Riser Hold-Up Tool, Universal ■▲
16	102-0726	1	Nozzle, Main, #2, Blue		118-0954	1	Riser Hold-Up Tool, Red ●▲
16	102-6907	1	Nozzle, Main, #3, Brown				
16	102-0728	1	Nozzle, Main, #4, Orange				
16	102-6955	1	Nozzle, Main, #5, Green				
16	102-6935	1	Nozzle, Main, #6, Gray				
16	102-6936	1	Nozzle, Main, #7, Black				
17	363-4236	1	Screw, Drive				
18	102-4504	1	Drive Assy., 12-Pack				
19	102-6929	1	Stator, Low Flow, High Velocity, Blue (Used W/ #0 Main)				
19	102-1939	1	Stator Assembly, Low Flow, Yellow (Used W/ #1-4 Mains)				

● SERVICE ITEMS

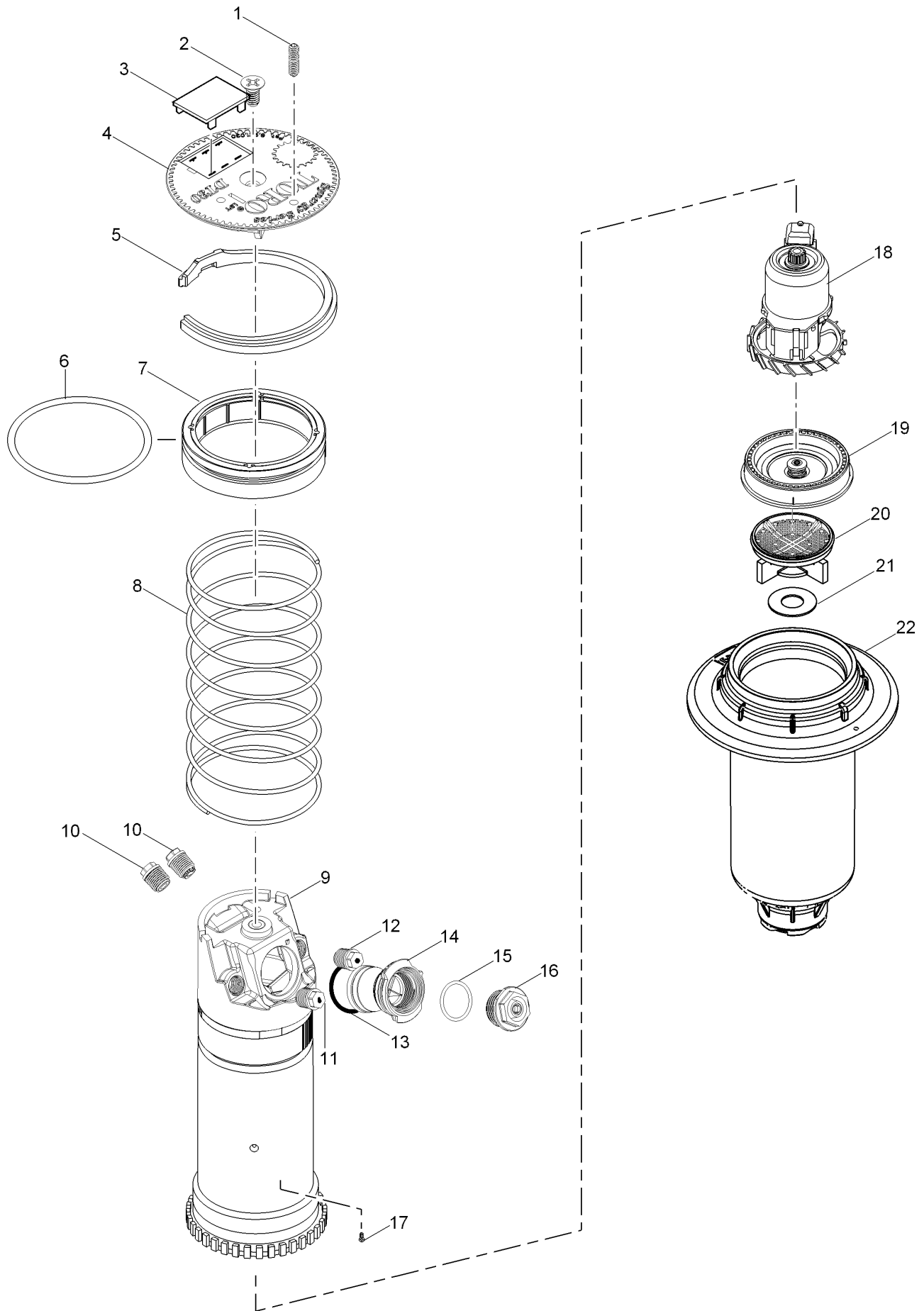
▲ Not illustrated

□ Order Through Finished Goods Distribution System - Minneapolis

■ SERVICE TOOLS

◆ Not serviced separately

DT35B Series Sprinkler



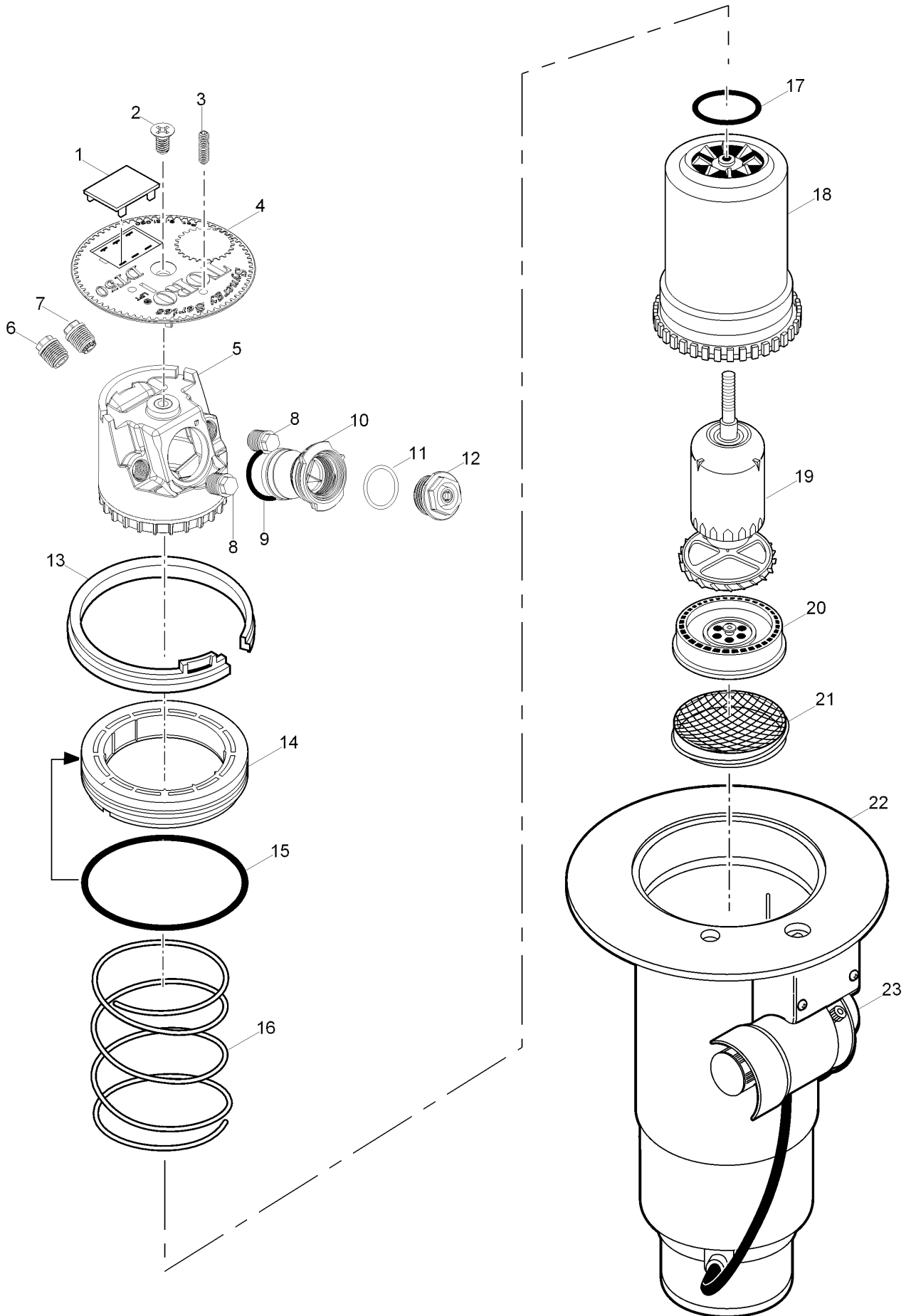
DT35B Series Sprinkler (continued)

Ref.	Part Number	Qty.	Description	Ref.	Part Number	Qty.	Description
1	363-4839	1	Radius Reduction Screw	16	102-6955	1	Nozzle, Main, #5, Green
2	102-6138	1	Screw, Cap, Black	16	102-6935	1	Nozzle, Main, #6, Gray
3	89-1589	1	Plug, Cap (Black)	16	102-6936	1	Nozzle, Main, #7, Black
4	102-4752	1	Cap, Dt Series	16	102-4260	1	Nozzle, Main, #8, Red
4	102-5588	1	Cap, Dt Series, Effluent	17	363-4236	1	Screw, Drive
5	89-1385	1	Snap Ring, Riser	18	102-4504	1	Drive Assy., 12-Pack
6	363-4102	1	O-Ring, Paraffin As-568 232	19	102-6929	1	Stator, Low Flow, High Velocity, Blue (Used W/ #0 Main Nozzle)
7	102-0134	1	Retainer, Seal	19	102-1939	1	Stator Assembly, Low Flow, Yellow (Used W/ #1-4 Main Nozzles)
8	102-0151	1	Spring, Return	19	102-1940	1	Stator Assembly, Medium Flow, White (Used W/ #5-8 Main Nozzles)
9	102-5730	1	Riser Assembly	20	102-5152	1	Screen, Riser, W/ Check Seal Holder
10	102-4335	2	Plug, Nozzle	21	102-7437	1	Seal, Check
11	102-5670	1	Nozzle Assy. Inner, Yellow W/ White Helical Restrictor (Used W/ #0-5 Mains)	22	102-7419	1	Body, Npt
11	102-6531	1	Nozzle Assy., Inner, Green W/ White Helical Restrictor (Used W/ #6-8 Mains)	22	102-7420	1	Body, Bsp
12	102-6942	1	Intermediate Nozzle Assy., Beige W/ Stream Straightener (Used W/ #0 Main)	22	102-7421	1	Body, Acme
12	102-5671	1	Intermediate Nozzle Assy., Brown W/ Stream Straightener (Used W/ #1 Main)	118-1491		1	Adapter, Main Nozzle ■◆
12	102-6884	1	Intermediate Nozzle, Yellow (Used W/ #2-4 Mains)	102-5672			Cap, Blank ■◆
12	102-6885	1	Intermediate Nozzle, Green (Used W/ #5-8 Mains)	102-5673			Cap, Blank, Effluent ■◆
13	102-5978	1	O-Ring, Nozzle Housing	YARDMARKYEL/10			Yardage Marker, Yellow (10-Sheets Per Pack) ■◆
14	102-5597	1	Nozzle Housing Assy. (Includes Item 3)	YARDMARKLAV/10			Yardage Marker, Lavender (For Non-Potable Water Applications) ■◆
15	363-4978	1	O-Ring, Main Nozzle	995-99			Nut Driver, 5/8" (For Main Nozzle) ▲◆
16	102-2208	1	Nozzle, Main, #0, Blank, White	995-105			Nut Driver, 5/16" (For Inner & Intermediate Nozzles And Plugs) ▲◆
16	102-6906	1	Nozzle, Main, #1, Yellow	995-83			Multi-Purpose Tool ●◆
16	102-0726	1	Nozzle, Main, #2, Blue	995-85			Riser Removal Tool ▲◆
16	102-6907	1	Nozzle, Main, #3, Brown	995-102	1		Riser Hold-Up Tool, Universal ▲◆
16	102-0728	1	Nozzle, Main, #4, Orange	118-0954	1		Riser Hold-Up Tool, Red ■◆

● Service Tool
▲ SERVICE TOOLS

■ SERVICE ITEMS
◆ Not illustrated

DT54 Series Sprinkler



DT54 Series Sprinkler (continued)

Ref.	Part Number	Qty.	Description	Ref.	Part Number	Qty.	Description
1	89-1589		Plug, Cap (Black)	20	102-1941		Stator Assembly, High-Flow, White (Used W/ #9 Main)
2	102-0362		Screw, Cap	21	102-1715		Screen, Riser
3	363-4839		Radius Reduction Screw	22			Body Assembly (See Separate Golf Body Assembly Section.) ♦
4	102-4753		Cap, Dt 54/55	23			Pilot Valve Assembly (See Separate Pilot Valve Assembly Section.) ♦
4	102-5589		Cap, Dt 54/55, Effluent		102-2208		Nozzle, Main, #0, Blank, White ●▲
5	102-5837		Nozzle Base Assembly		118-1491	1	Adapter, Main Nozzle ●▲
6	102-2925		Intermediate Nozzle, Blue (Used W/ #1 Main)		102-5674		Cap, Blank ●▲
6	102-2926		Intermediate Nozzle, Orange (Used W/ #2 Main)		102-5675		Cap, Blank, Effluent ●▲
6	102-2928		Intermediate Nozzle, Red (Used W/ #3 Main)		102-0950		Adapter, Conversion ●▲
6	102-2929		Intermediate Nozzle, Beige (Used W/ #4-5 Mains)		102-5011		Adapter, Conversion, 690 ●▲
6	102-6944		Intermediate Nozzle Assy., Red W/ Stream Straightener (Used W/ #6 Main)		YARDMARKYELLOW	100	Yardage Marker, Yellow (10-Sheets Per Pack) ●▲
6	102-6945		Intermediate Nozzle Assy., Gray W/ Stream Straightener (Used W/ #7-9 Mains)		YARDMARKLAV	100	Yardage Marker, Lavender (For Non-Potable Water Applications) ●▲
6	102-6883		Intermediate Nozzle, Brown (Used W/ #7-8 Mains, Front Position, Right Of Main)		DT54-5154		Conversion, Full Circle, W/ #51-54 Nozzles ●□▲
7	102-6937		Nozzle Assy. Inner, Yellow Nozzle W/ Yellow Helical Restrictor		DT54-5154E		Conversion, Full Circle, W/ #51-54 Nozzles And Effluent Cap ●□▲
8	102-4335		Plug, Nozzle		DT54-5558		Conversion, Full Circle, W/ #55-58 Nozzles ●□▲
9	102-5978		O-Ring, Nozzle Housing		DT54-5558E		Conversion, Full Circle, W/ #55-58 Nozzles And Effluent Cap ●□▲
10	102-5597		Nozzle Housing Assy. (Includes Item 9)		DT54-59		Conversion, Full Circle, W/ #59 Nozzle ●□▲
11	363-4978	1	O-Ring, Main Nozzle		DT54-59		Conversion, Full Circle, W/ #59 Nozzle ●□▲
12	102-0725		Nozzle, Main, #1, Yellow		995-09		Valve Removal Tool ■▲
12	102-7001		Nozzle, Main, #2, Blue		995-101		Valve Insertion Tool ■▲
12	102-0727		Nozzle, Main, #3, Brown		995-15		Selector Tool (Flag Key) ■▲
12	102-7002		Nozzle, Main, #4, Orange		995-99		Nut Driver, 5/8" (For Main Nozzle) ■▲
12	102-6908		Nozzle, Main, #5, Green		995-105		Nut Driver, 5/16" (For Inner & Intermediate Nozzles And Plugs) ■▲
12	102-0730		Nozzle, Main, #6, Gray		995-83		Multi-Purpose Tool ■▲
12	102-4261		Nozzle, Main, #7, Black		995-85		Riser Removal Tool ■▲
12	102-4260		Nozzle, Main, #8, Red		995-100		Valve Snap Ring Pliers With Screen Remover ■▲
12	102-4259		Nozzle, Main, #9, Beige		995-102	1	Riser Hold-Up Tool, Universal ■
13	35-6119		Snap Ring, Riser		118-0954	1	Riser Hold-Up Tool, Red ●▲
14	102-0136		Retainer, Seal, 1.5"				
15	363-4103		O-Ring, Body				
16	102-0151		Spring, Return				
17	363-4167		O-Ring, Nozzle Base				
18	102-0203		Riser				
19	102-4503		Drive Assembly, 12-Pack				
20	102-6929		Stator, Low Flow, High Velocity, Blue (Used W/ #1-4 Mains)				
20	102-1940		Stator Assembly, Medium Flow, White (Used W/ #5-8 Mains)				

● SERVICE ITEMS

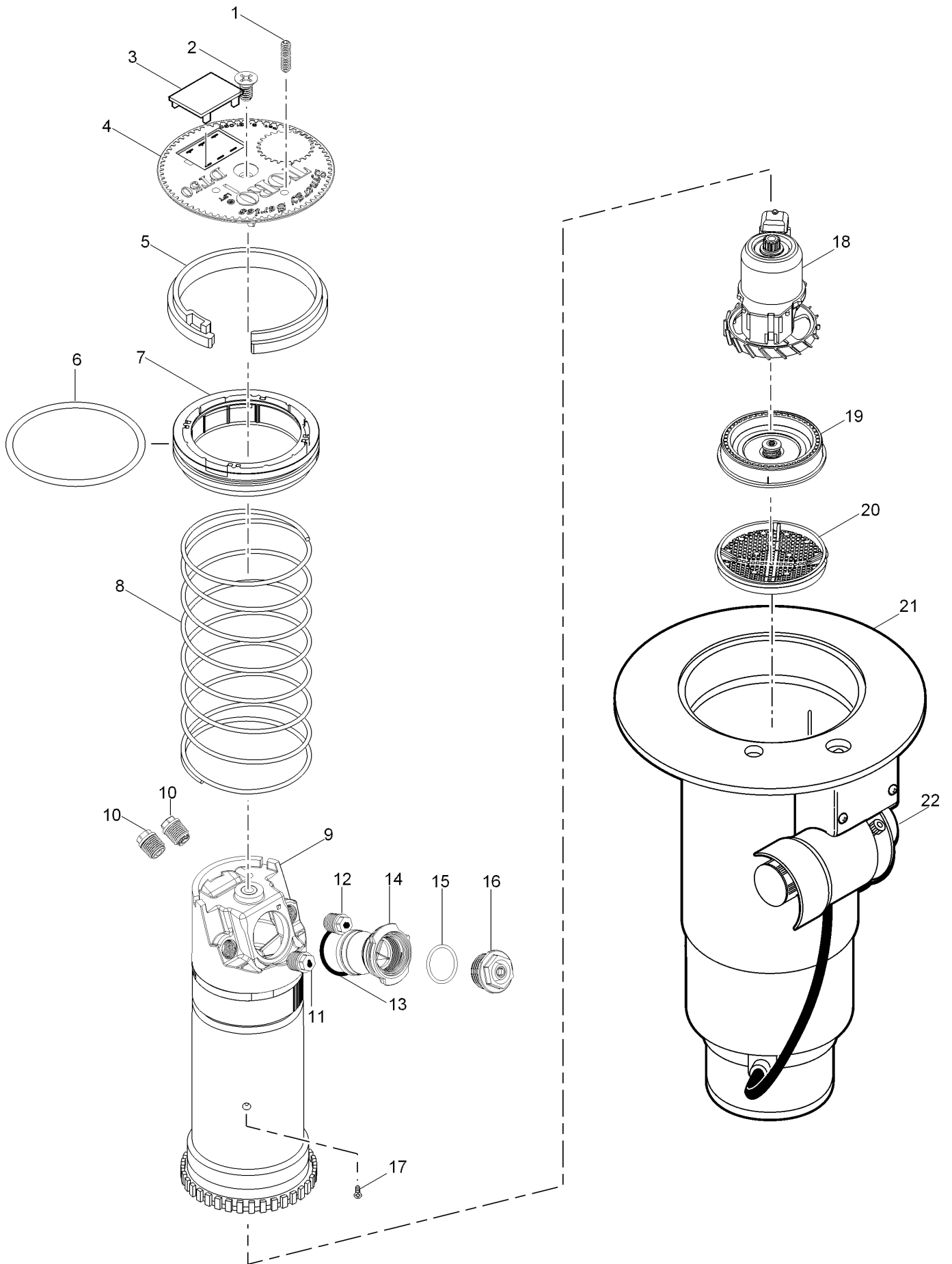
▲ Not illustrated

□ Order Through Finished Goods Distribution System - Minneapolis

■ SERVICE TOOLS

◆ Not serviced separately

DT55



DT55 (continued)

Ref.	Part Number	Qty.	Description	Ref.	Part Number	Qty.	Description
1	363-4839	1	Radius Reduction Screw		102-2208		Nozzle, Main, #0, Blank, White ●▲
2	102-6138	1	Screw, Cap, Black		118-1491	1	Adapter, Main Nozzle ●▲
3	89-1589	1	Plug, Cap (Black)		102-5674		Cap, Blank ●▲
4	102-4753	1	Cap, Dt 54/55		102-5675		Cap, Blank, Effluent ●▲
4	102-5589	1	Cap, Dt 54/55, Effluent		102-0950		Adapter, Conversion ●▲
5	35-6119	1	Snap Ring, Riser		102-5011		Adapter, Conversion, 690 ●▲
6	363-4103	1	O-Ring, Body		YARDMARKYEL	100	Yardage Marker, Yellow (10-Sheets Per Pack) ●▲
7	102-0136	1	Retainer, Seal, 1.5"		YARDMARKLAV	100	Yardage Marker, Lavender (For Non-Potable Water Applications) ●▲
8	102-0151	1	Spring, Return		DT55-5154		Conversion, Part & Full Circle, W/ #51-54 Nozzles ●▲□
9	102-5982	1	Riser Assembly		DT55-5154E		Conversion, Part & Full Circle, W/ #51-54 Nozzles And Effluent Cap ●▲□
10	102-4335	2	Plug, Nozzle		DT55-5154R		Conversion, Part & Full Circle, W/ #51-54 Nozzles For Ribless Bodies ●▲□
11	102-5670	1	Nozzle Assy. Inner, Yellow W/ White Helical Restrictor (Used W/ #1-5 Mains)		DT55-5154RE		Conversion, Part & Full Circle, W/ #51-54 Nozzles & Effluent Cap For Ribless Bodies ●▲□
11	102-6531	1	Nozzle Assy., Inner, Green W/ White Helical Restrictor (Used W/ #6-9 Mains)		DT55-5558		Conversion, Part & Full Circle, W/ #55-58 Nozzles ●▲□
12	102-6884	1	Intermediate Nozzle, Yellow (Used W/ #2-4 Mains)		DT55-5558E		Conversion, Part & Full Circle, W/ #55-58 Nozzles And Effluent Cap ●▲□
12	102-6885	1	Intermediate Nozzle, Green (Used W/ #5-9 Mains)		DT55-5558R		Conversion, Part & Full Circle, W/ #55-58 Nozzles For Ribless Bodies ●▲□
12	102-5671	1	Intermediate Nozzle Assy., Brown W/ Stream Straightener (Used W/ #1 Main)		DT55-5558RE		Conversion, Part & Full Circle, W/ #55-58 Nozzles & Effluent Cap For Ribless Bodies ●▲□
13	102-5978	1	O-Ring, Nozzle Housing		DT55-59		Conversion, Part & Full Circle, W/ #59 Nozzle ●▲□
14	102-5597	1	Nozzle Housing Assy. (Includes Item 13)		DT55-59E		Conversion, Part & Full Circle, W/ #59 Nozzle And Effluent Cap ●▲
15	363-4978	1	O-Ring, Main Nozzle		DT55-59R		Conversion, Part & Full Circle, W/ #59 Nozzle For Ribless Bodies ●▲□
16	102-6906	1	Nozzle, Main, #1, Yellow		DT55-59RE		Conversion, Part & Full Circle, W/ #59 Nozzle & Effluent Cap For Ribless Bodies ●▲□
16	102-0726	1	Nozzle, Main, #2, Blue		995-09		Valve Removal Tool ■▲
16	102-6907	1	Nozzle, Main, #3, Brown		995-101		Valve Insertion Tool ■▲
16	102-0728	1	Nozzle, Main, #4, Orange		995-15		Selector Tool (Flag Key) ■▲
16	102-6955	1	Nozzle, Main, #5, Green		995-99		Nut Driver, 5/8" (For Main Nozzle) ■▲
16	102-6935	1	Nozzle, Main, #6, Gray				
16	102-6936	1	Nozzle, Main, #7, Black				
16	102-6909	1	Nozzle, Main, #8, Red				
16	102-4259	1	Nozzle, Main, #9, Beige				
17	363-4236	1	Screw, Drive				
18	102-4504	1	Drive Assy., 12-Pack				
19	102-1939	1	Stator Assembly, Low Flow, Yellow (Used W/ #1-4 Mains)				
19	102-1940	1	Stator Assembly, Medium Flow, White (Used W/ #5-8 Mains)				
19	102-1941	1	Stator Assembly, High-Flow, White (Used W/ #9 Main)				
20	102-1715	1	Screen, Riser				
21		1	Body Assembly (See Golf Sprinkler Body Assembly Section) ◆				
22		1	Pilot Valve Assembly (See Pilot Valve Assembly Section) ◆				

● SERVICE ITEMS

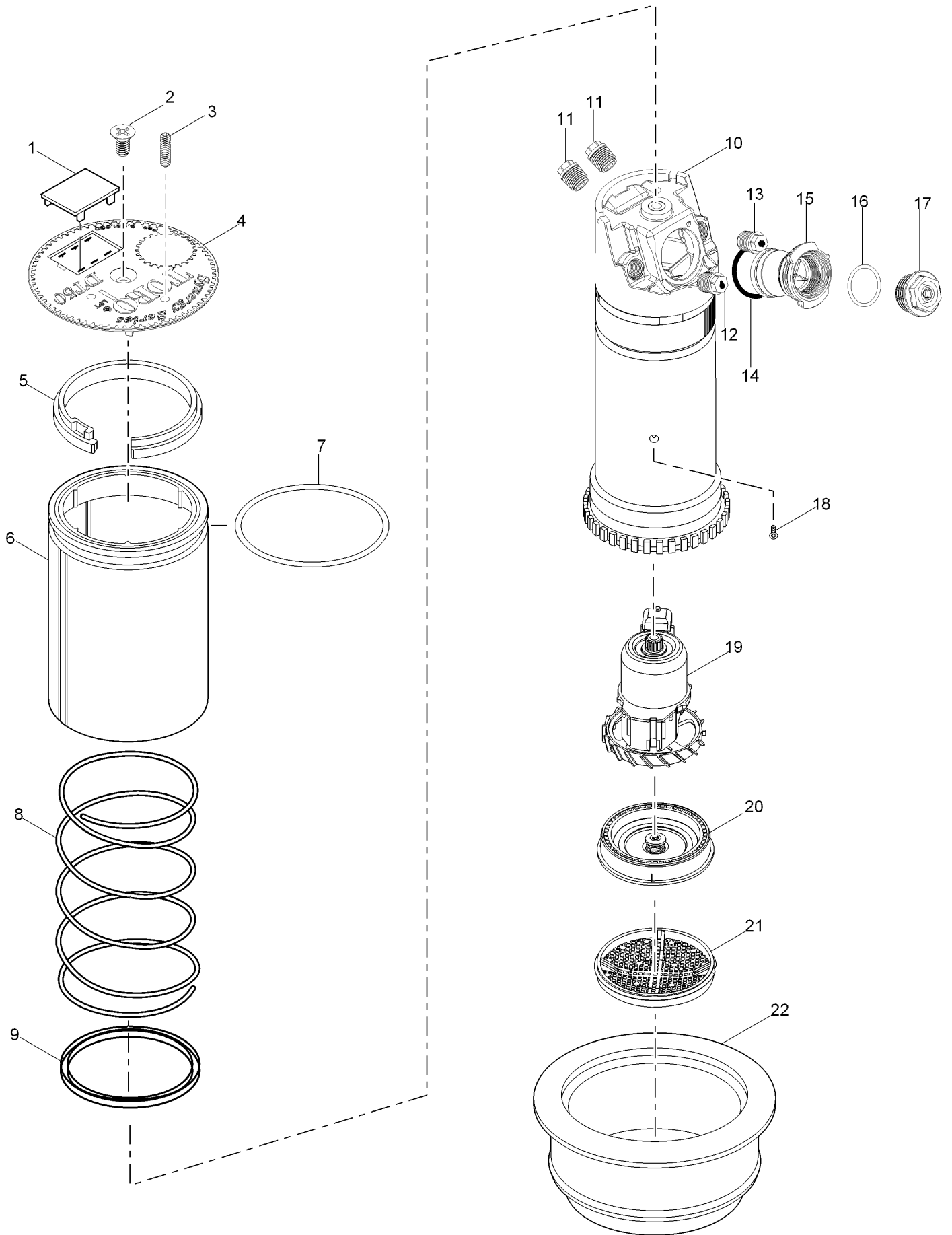
▲ Not illustrated

□ Order Through Finished Goods Distribution System - Minneapolis

■ SERVICE TOOLS

◆ Not serviced separately

DT55 Ribless Body Conversion



DT55 Ribless Body Conversion (continued)

Ref.	Part Number	Qty.	Description	Ref.	Part Number	Qty.	Description
1	89-1589	1	Plug, Cap (Black)	20	102-1941	1	Stator Assembly, High-Flow, White (Used W/ #9 Main)
2	102-6138	1	Screw, Cap, Black	21	102-1715	1	Screen, Riser
3	363-4839	1	Radius Reduction Screw	22	102-0950	1	Adapter, Conversion
4	102-4753	1	Cap, Dt 54/55		102-5674		Cap, Blank ●▲
4	102-5589	1	Cap, Dt 54/55, Effluent		102-5675		Cap, Blank, Effluent ●▲
5	35-6119	1	Snap Ring, Riser		118-1491	1	Adapter, Main Nozzle ●▲
6	89-7568	1	Sleeve, Retainer, O-Ring, Conversion		YARDMARKYEL	10	Yardage Marker, Yellow (10-Sheets Per Pack) ●▲
7	363-4103	1	O-Ring, Body		YARDMARKLAV	10	Yardage Marker, Lavender (For Non-Potable Water Applications) ●▲
8	102-0151	1	Spring, Return		DT55-5154R		Conversion, Part & Full Circle, W/ #51-54 Nozzles For Ribless Bodies ●▲◆
9	89-7569	1	Seal, Riser		DT55-5154RE		Conversion, Part & Full Circle, W/ #51-54 Nozzles & Effluent Cap For Ribless Bodies ●▲◆
10	102-5730	1	Riser Assembly		DT55-5558R		Conversion, Part & Full Circle, W/ #55-58 Nozzles For Ribless Bodies ●▲◆
11	102-4335	2	Plug, Nozzle		DT55-5558RE		Conversion, Part & Full Circle, W/ #55-58 Nozzles & Effluent Cap For Ribless Bodies ●▲◆
12	102-5670	1	Nozzle Assy. Inner, Yellow W/ White Helical Restrictor (Used W/ #1-5 Mains)		DT55-59R		Conversion, Part & Full Circle, W/ #59 Nozzle For Ribless Bodies ●▲◆
12	102-6531	1	Nozzle Assy., Inner, Green W/ White Helical Restrictor (Used W/ #6-9 Mains)		DT55-59RE		Conversion, Part & Full Circle, W/ #59 Nozzle & Effluent Cap For Ribless Bodies ●▲◆
13	102-5671	1	Intermediate Nozzle Assy., Brown W/ Stream Straightener (Used W/ #1 Main)		995-09	1	Valve Removal Tool ■▲
13	102-6884	1	Intermediate Nozzle, Yellow (Used W/ #2-4 Mains)		995-101	1	Valve Insertion Tool ■▲
13	102-6885	1	Intermediate Nozzle, Green (Used W/ #5-9 Mains)		995-15		Selector Tool (Flag Key) ■▲
14	102-5978	1	O-Ring, Nozzle Housing		995-99		Nut Driver, 5/8" (For Main Nozzle) ■▲
15	102-5597	1	Nozzle Housing Assy. (Includes Item 14)		995-105		Nut Driver, 5/16" (For Inner & Intermediate Nozzles And Plugs) ■▲
16	363-4978	1	O-Ring, Main Nozzle		995-83		Multi-Purpose Tool ■▲
17	102-6906	1	Nozzle, Main, #1, Yellow		995-85		Riser Removal Tool ■▲
17	102-0726	1	Nozzle, Main, #2, Blue		995-100		Valve Snap Ring Pliers With Screen Remover ■▲
17	102-6907	1	Nozzle, Main, #3, Brown		995-102	1	Riser Hold-Up Tool, Universal ■▲
17	102-0728	1	Nozzle, Main, #4, Orange		118-0954	1	Riser Hold-Up Tool, Red ●▲
17	102-6955	1	Nozzle, Main, #5, Green				
17	102-6935	1	Nozzle, Main, #6, Gray				
17	102-6936	1	Nozzle, Main, #7, Black				
17	102-6909	1	Nozzle, Main, #8, Red				
17	102-4259	1	Nozzle, Main, #9, Beige				
18	363-4236	1	Screw, Drive				
19	102-4504	1	Drive Assy., 12-Pack				
20	102-1939	1	Stator Assembly, Low Flow, Yellow (Used W/ #1-4 Mains)				
20	102-1940	1	Stator Assembly, Medium Flow, White (Used W/ #5-8 Mains)				

● SERVICE ITEMS

▲ Not illustrated

◆ Order Through Finished Goods Distribution System - Minneapolis

■ SERVICE TOOLS



Count on it.