



Count on it.

Parts Catalog

112 Commercial Walk Mower

Model No. 30112—Serial No. 9000001 and Up

Ordering Replacement Parts

To order replacement parts, please supply the part number, the quantity, and the description of each part desired.

Understanding Reference Numbers

Each identified part in an illustration has a reference number. The reference number for a part also appears in the parts list, along with other information about the part.

This catalog uses two special reference number formats, one to indicate parts in a service assembly and another to indicate the quantity of a given part in an illustration.

Service Assembly Reference Numbers

Parts in service assemblies have reference numbers in the form a:b. The a represents the reference number of the entire service assembly and the b represents a sequential number unique to each part within the service assembly.

For example, a wheel assembly might be identified by reference number 6, the tire by 6:1, the valve by 6:2, and the wheel by 6:3. When you order the assembly identified by reference number 6, you receive all parts identified by reference numbers 6:1, 6:2, and 6:3. However, you may also order any part individually. Reference numbers of this type appear in illustration and in parts lists.

Reference Numbers Indicating Quantity

In an illustration, if a reference number indicates more than one part, the reference number has the form nX y. The n represents the quantity of the part, the X is the multiplication symbol, and the y represents the reference number.

For example, in an illustration, the reference number 2X 37 means that two of the parts identified by reference number 37 are indicated.

List of Abbreviations

AR: as required

ASM: assembly

BBC: blade brake control

BHTF: button head thread forming

CARR: carriage

CCW: counter clockwise

CW: clockwise

DEG: degrees

DPA: Dual Point Adjustment

ECM: electronic control module

EXT: external

FH: flat head

GA: gauge

HD: heavy-duty

HF: hex flange

HH: hex head

HHF: hex head flange

HHFTF: hex head flange thread forming

HJ: hex jam

HLH: hex lag head

HOC: height-of-cut

HSBH: hex socket button head

HSFH: hex socket flat head

HSH: hex socket head

HWH: hex washer head

HWHTF: hex washer head thread forming

HYD: hydraulic

LH: left hand

LP: Liquid Propane

NI: nylon insert

NPTF: national pipe thread fine

PFH: phillips flat head

PPH: phillips pan head

PPHTF: phillips pan head thread forming

PRH: phillips round head

PTH: phillips truss head

PTO: power-take-off

RH: right hand

ROPS: roll-over protection system

RRB: rear roller brush

SFH: slotted fillister head

SHH: slotted hex head

SHWH: slotted hex washer head

SPH: slotted pan head

SQH: square head

SRH: slotted round head

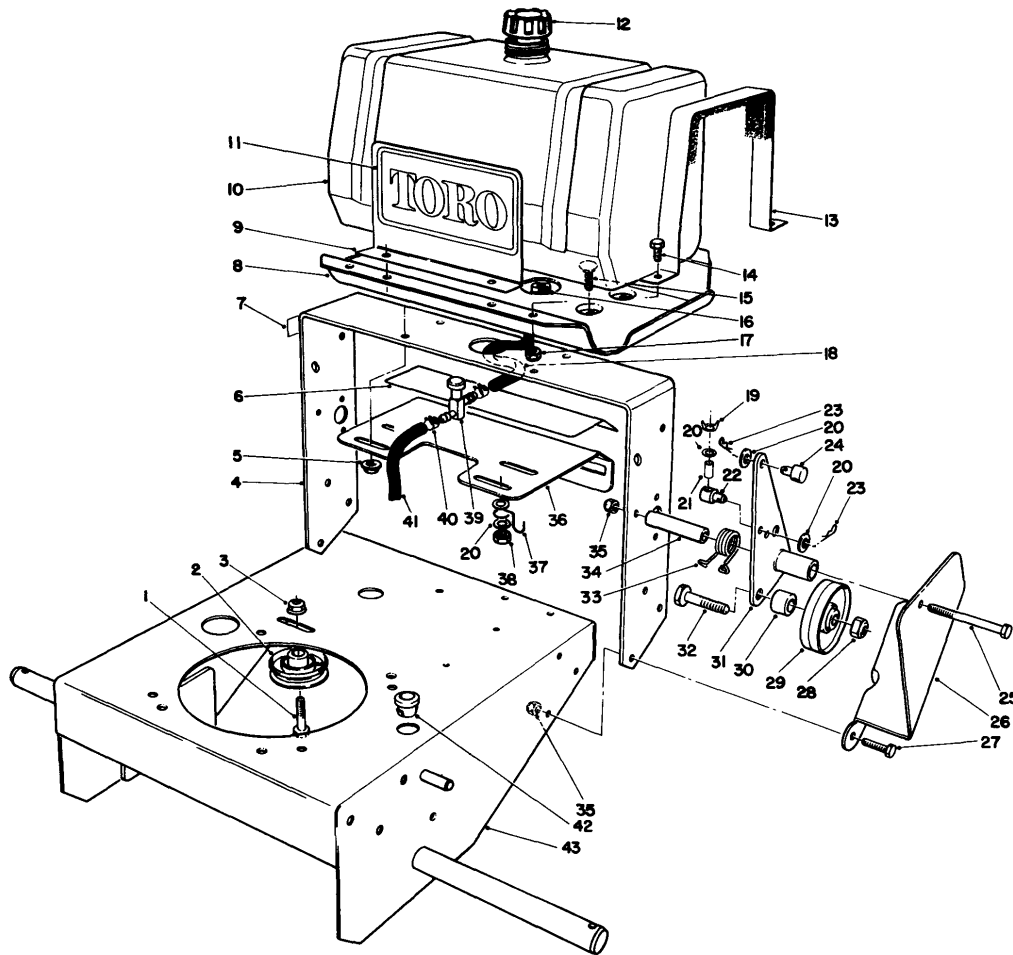
STD: standard

TAP: self tapping

TTH: torx truss head

Contents

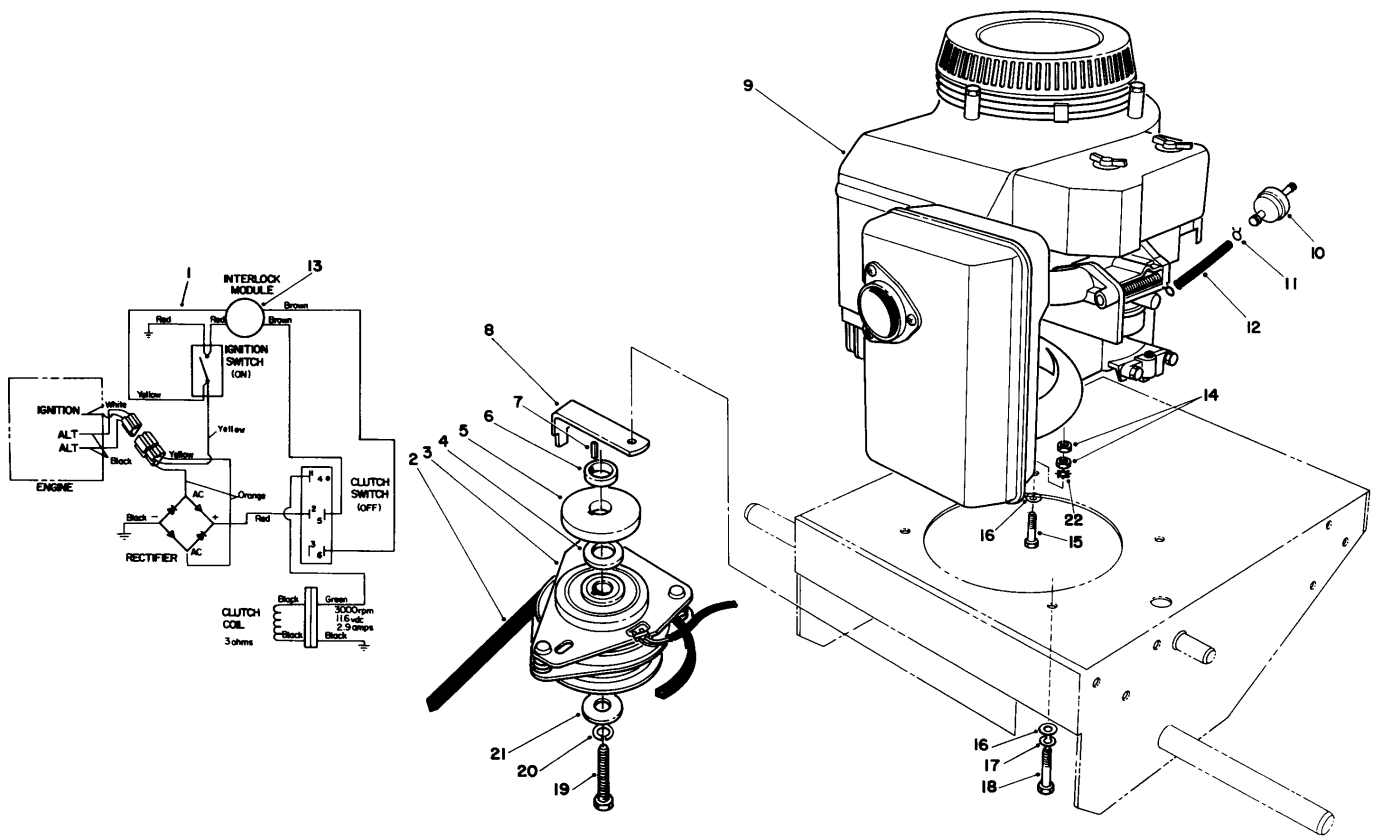
Frame Assembly	4
Engine and Clutch Assembly	5
Clutch Assembly No. 54-3200	6
Axle Assembly	7
Peerless Transmission Model 787	8
Handle Assembly	9
Engine Assembly	10
Crankcase Assembly	11
Governor Assembly	13
Recoil and Flywheel Assembly	14
Recoil Assembly	15
Air Cleaner and Carburetor Assembly	16
Carburetor Assembly	17
Air Cleaner Assembly	18
Muffler Assembly	19
Sulky Kit Model No. 30122 (optional)	20



Frame Assembly

Ref.	Part Number	Qty.	Description	Ref.	Part Number	Qty.	Description
1	323-9	1	Screw-HH	24	54-3080	2	Rod Fitting
2	51-4810	1	Pulley-Idler	25	323-16	2	Screw-HH
3	32128-21	1	Nut-HF	26	67-6380	1	Bracket-LH
4	54-3170	1	Frame-Rear		67-6370	1	Bracket-RH ●
5	32128-13	3	Nut-HHF	27	323-6	6	Screw-HH
6	52-2140	1	Decal-Ground Speed	28	3296-23	2	Nut-Lock, NI
7	55-4230	1	Decal-Fuel Shut Off	29	51-4480	2	Idlerwheel
8	62-4030	1	Plate-Fuel Tank	30	51-4490	2	Wheel Idler Spacer
9	62-4120	1	Decal-Plate	31	67-6760	1	Bracket-Idler, LH
10	62-4040	1	Tank-Fuel		67-6750	1	Bracket-Idler, RH ●
11	62-5550	1	Decal	32	51-4450	2	Screw-Leveler
12	55-3570	1	Gas Cap ASM	33	51-4380	1	Spring-Torsion, LH
13	62-5500	2	Strap ASM		51-4370	1	Spring-Torsion, RH ●
14	321-3	6	Screw-HH	34	51-4340	2	Pivot-Idler Spacer
15	3230-3	4	Screw-CARR	35	3296-39	8	Nut-Lock, NI
16	2412-36	1	Clamp-Hose	36	66-7400	1	Plate
17	3296-42	6	Nut-Lock, NI	37	62-5610	1	Gas Line Clip
18	66-7130	1	Gas Hose	38	3296-29	1	Nut-Lock, NI
19	32103-25	2	Nut-Wing	39	54-3150	1	Fuel Valve
20	3256-23	8	Washer-Flat	40	2412-98	2	Clamp-Hose
21	52-2890	2	Bushing-Nylon	41	47-2985	1	Gas Hose
22	68-9690	2	Fitting-Rod	42	237-124	1	Grommet
23	3290-307	4	Pin-Hair	43	51-4100	1	Frame

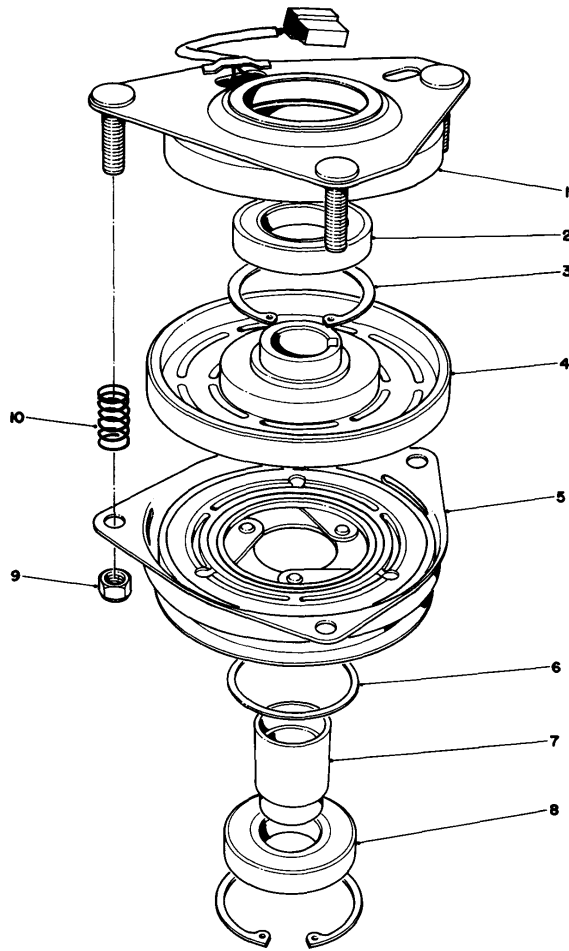
● Not illustrated



Engine and Clutch Assembly

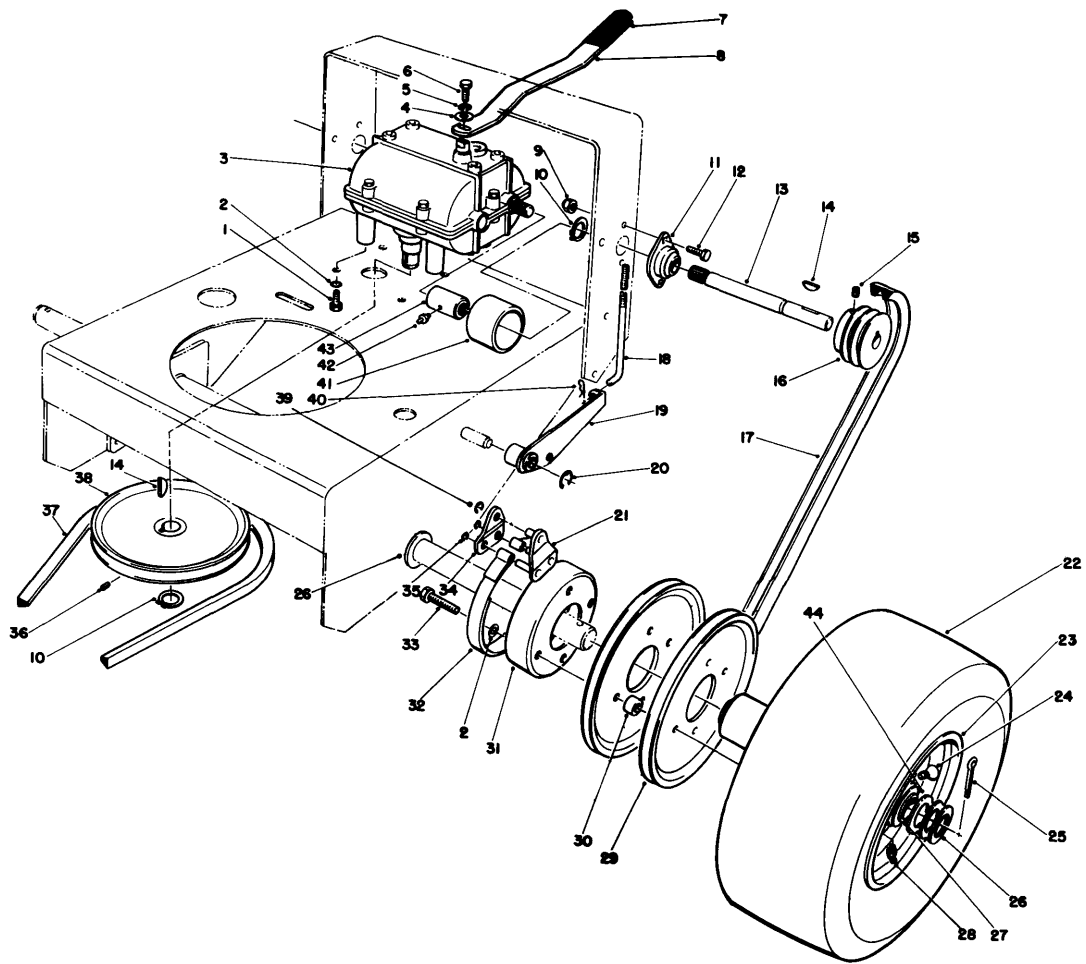
Ref.	Part Number	Qty.	Description
1	57-6320	1	Wire Harness
2	54-2750	1	V-Belt, Drive
3	54-3200	1	Clutch/Brake
4	51-3280	1	Spacer-Lower
5	51-4460	1	Pulley-Drive
6	51-3290	1	Spacer-Upper
7	5-1336	1	Key-Square
8	51-4540	1	Retainer-Clutch
9		1	Engine-Kawasaki, Fb460V Type Ds08 ●
10	56-6360	1	Filter-Fuel
11	2412-98	3	Clamp-Hose
12	47-2982	1	Hose-Fuel
13	51-3250	1	Module
14	57-6390	2	Nut-Jam
15	57-6370	1	Screw (Engine, Ground)
16	3256-23	4	Washer-Flat
17	3253-4	3	Washer-Lock
18	57-6380	3	Screw-HH
19	57-6360	1	Screw-Clutch
20	3253-22	1	Washer-Lock
21	44-8160	1	Washer-Clutch
22	3255-8	1	Washer-Lock

● Not serviced separately



Clutch Assembly No. 54-3200

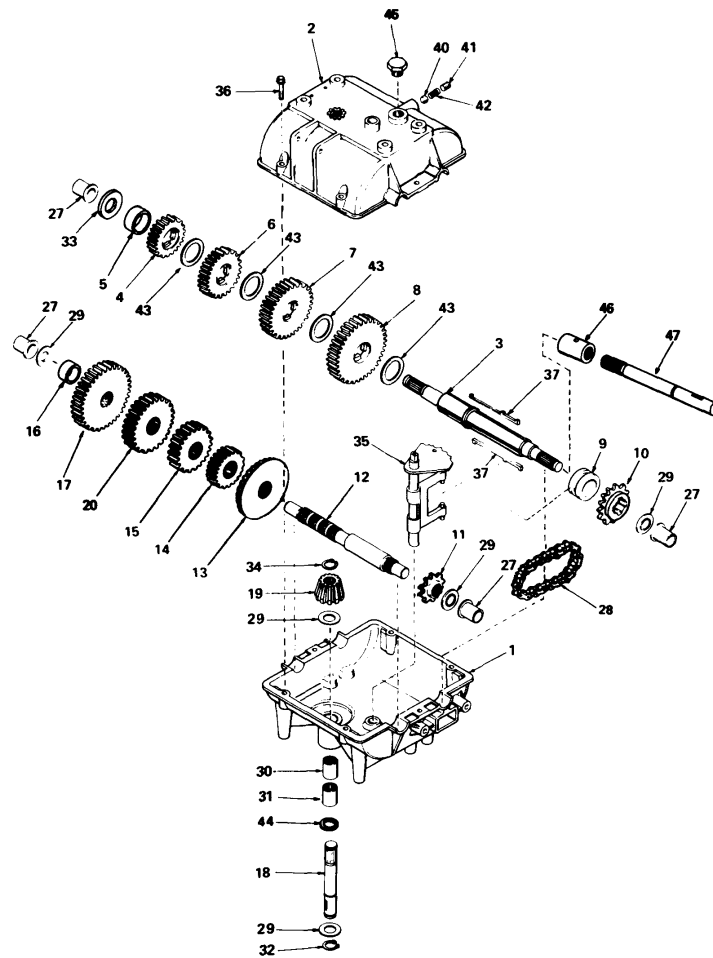
<i>Ref.</i>	<i>Part Number</i>	<i>Qty.</i>	<i>Description</i>
1	44-8350	1	Field Assembly (Incl. Ref. #2 & 3)
2	251-292	1	Bearing-Field
3	44-8310	2	Ring-Retaining
4	44-8360	1	Field Coil, Rotor & Bearing Assembly (Incl. Ref. #1)
5	55-7410	1	Armature & Pulley Assembly (Incl. Ref. #3, 6, 7 & 8)
6	44-8330	1	Spacer-Bearing, Pulley
7	44-8340	1	Collar-Bearing
8	251-291	1	Bearing-Pulley
9	3296-5	3	Nut-Lock
10	44-8320	3	Spring



Axle Assembly

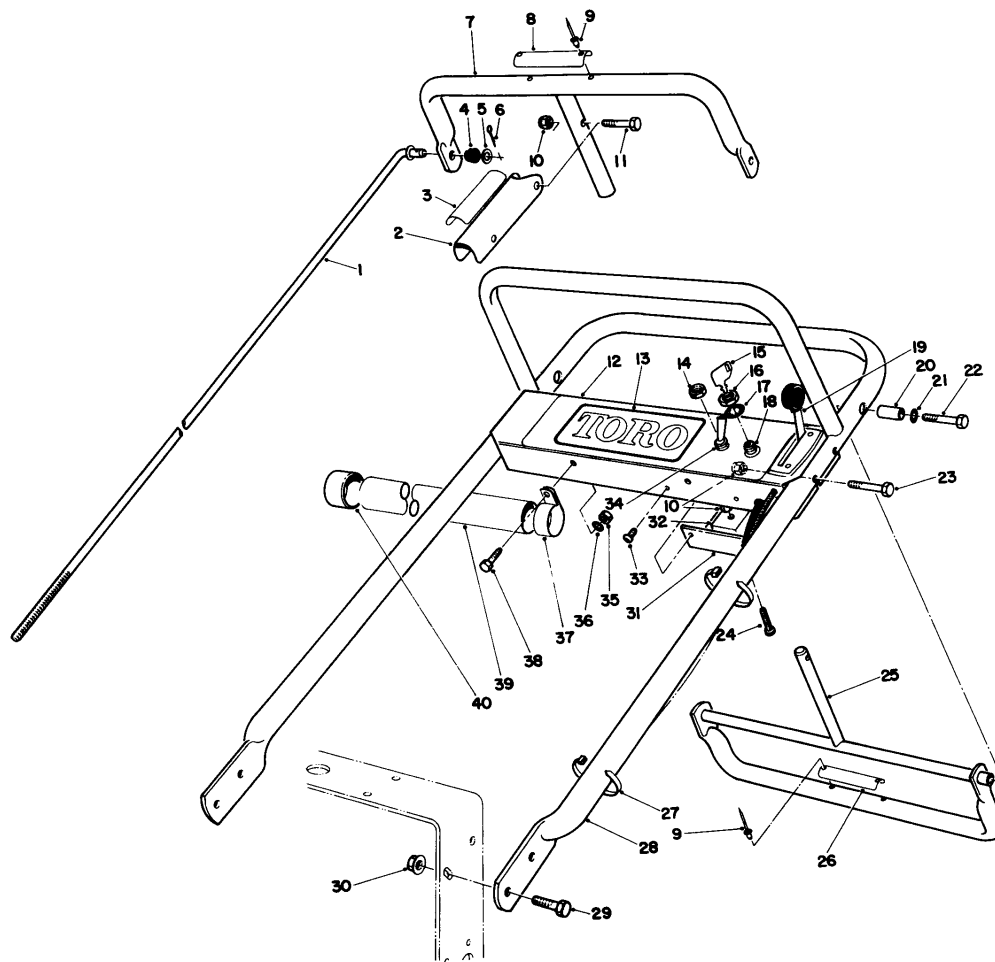
Ref.	Part Number	Qty.	Description	Ref.	Part Number	Qty.	Description
1	322-2	4	Screw-HH	22	231-111	2	Tire
2	3253-4	12	Washer-Lock	23	242-80	2	Wheel And Hub ASM
3	51-4090	1	Transmission	24	232-27	2	Stem-Valve
4	7-5461	1	Spacer	25	3272-30	2	Pin-Cotter
5	3253-3	1	Washer-Lock	26	51-4230	6	Washer-Wheel
6	329-4	1	Screw-HH	27	251-321	2	Bearing-Ball, Flanged
7	47-1970	1	Grip	28	302-11	2	Fitting-Lube, 45 DEG
8	51-4150	1	Lever-Shift	29	51-4160	4	Pulley-Wheel
9	3296-42	4	Nut-Lock, NI	30	51-4170	8	Spacer-Pulley
10	32120-64	3	Ring-Snap, External	31	51-4180	2	Drum-Brake
11	51-4270	2	Bearing-External Shaft	32	51-4700	2	Band-Brake
12	321-4	4	Screw-HH	33	322-7	8	Screw-HH
13	51-4240	1	Shaft-Extension, RH ●	34	51-4660	2	Plate-Link
	51-4250	1	Shaft-Extension, LH	35	32151-72	4	Ring-Retaining
14	3257-5	3	Key-Woodruff	36	3241-5	1	Screw-Set
15	3246-6	2	Screw-Set, HSH	37	26-9670	1	V-Belt
16	51-4280	2	Pulley-Drive	38	51-4190	1	Pulley-Driven
17	51-4290	2	V-Belt	39	32151-56	2	Ring-Retaining, External
18	51-4580	2	Rod-Brake	40	3290-307	2	Pin-Hair
19	51-4610	1	Brake Arm-LH	41	51-4220	2	Guard-Coupler
	51-4600	1	Brake Arm-RH ●	42	302-5	2	Fitting-Grease
20	32151-40	2	Ring-Retaining	43	51-4260	2	Coupler
21	68-9660	2	Link-Brake	44	10-8110	0	Washer-Thrust

● Not illustrated



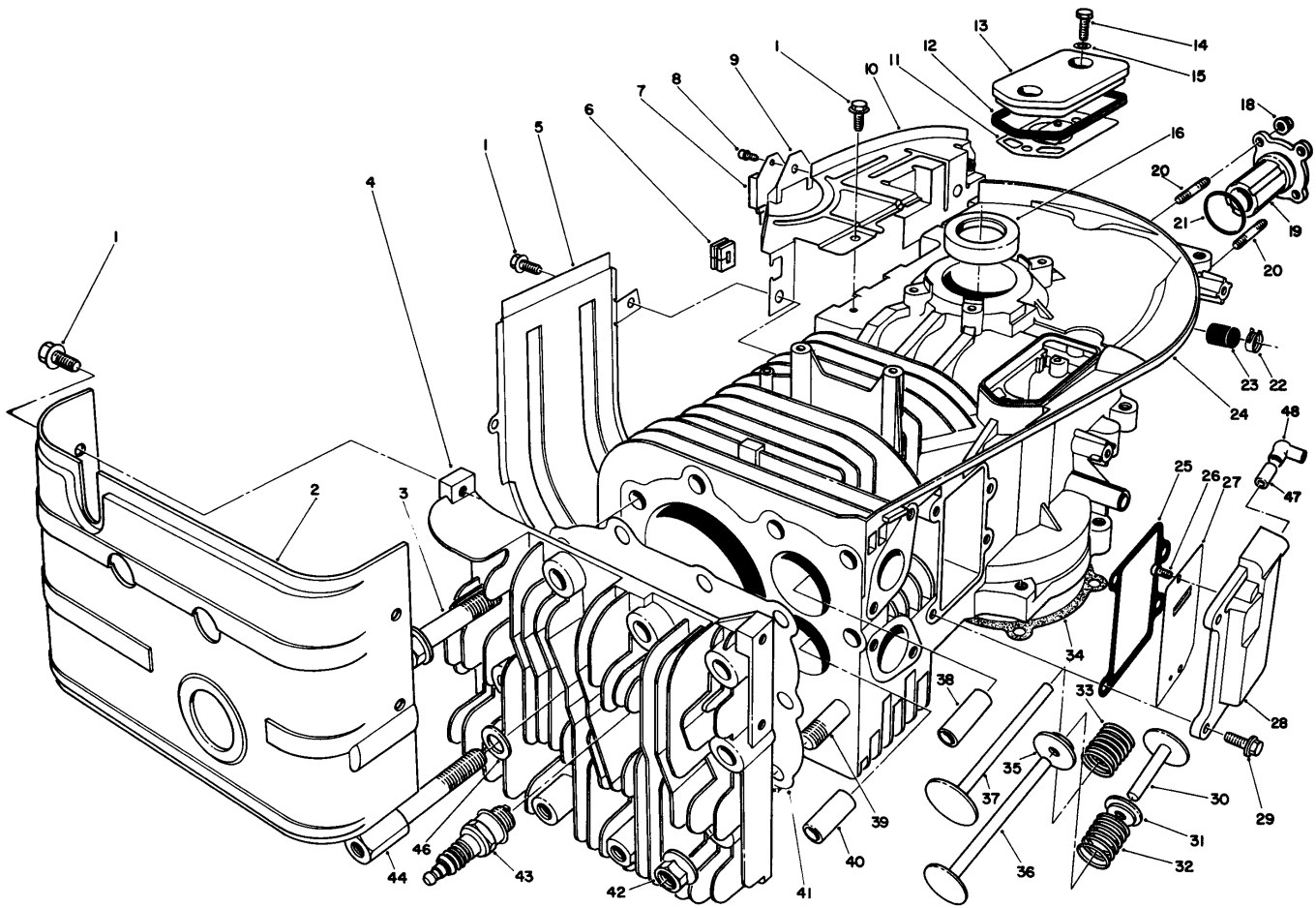
Peerless Transmission Model 787

Ref.	Part Number	Qty.	Description	Ref.	Part Number	Qty.	Description
1	770061	1	Case-Transmission	28	786081	1	Chain-Roller #41
2	772083	1	Cover-Transmission	29	780072	1	Washer
3	776217	1	Shaft-Output	30	780086	1	Bearing-Needle
4	778123A	1	Gear-Spur, 25 Teeth	31	780142	1	Bearing-Needle
5	786072	1	Spacer	32	792035	1	Ring-Snap
6	778124A	1	Gear-Spur, 30 Teeth	33	780139	1	Washer
7	778125	1	Gear-Spur, 35 Teeth	34	788040	1	Ring-Retainer
8	778146A	1	Gear-Spur, 37 Teeth	35	784267	1	Rod And Fork ASM
9	784266	1	Collar-Shift	36	792073	1	Ring Set (.020 O S)
10	786083	1	Sprocket-18 Teeth	37	792089A	1	Key
11	786082	1	Sprocket-9 Teeth	40	792077	1	Ball-Steel
12	776134	1	Countershaft	41	792078	1	Screw-Set
13	778154	1	Gear-Bevel, 42 Teeth	42	792079	1	Spring
14	778145	1	Gear-Spur, 12 Teeth	43	780108	1	Washer
15	778151	1	Gear-Spur, 15 Teeth	44	792001	1	O Ring
16	786071	1	Spacer	45	792074	1	Plug
17	778127A	1	Gear-Spur, 25 Teeth	46	786108	1	Coupler
18	776135	1	Shaft-Input	47	776230	1	Shaft-Output Extension (4-63/64" 4.)
19	778153	1	Bevel Pinion-Input	47	776231	1	Shaft-Output Extension (7-39/64" Lg)
20	778126A	1	Gear-Spur, 20 Teeth				
27	780105A	1	Bushing-Flange				



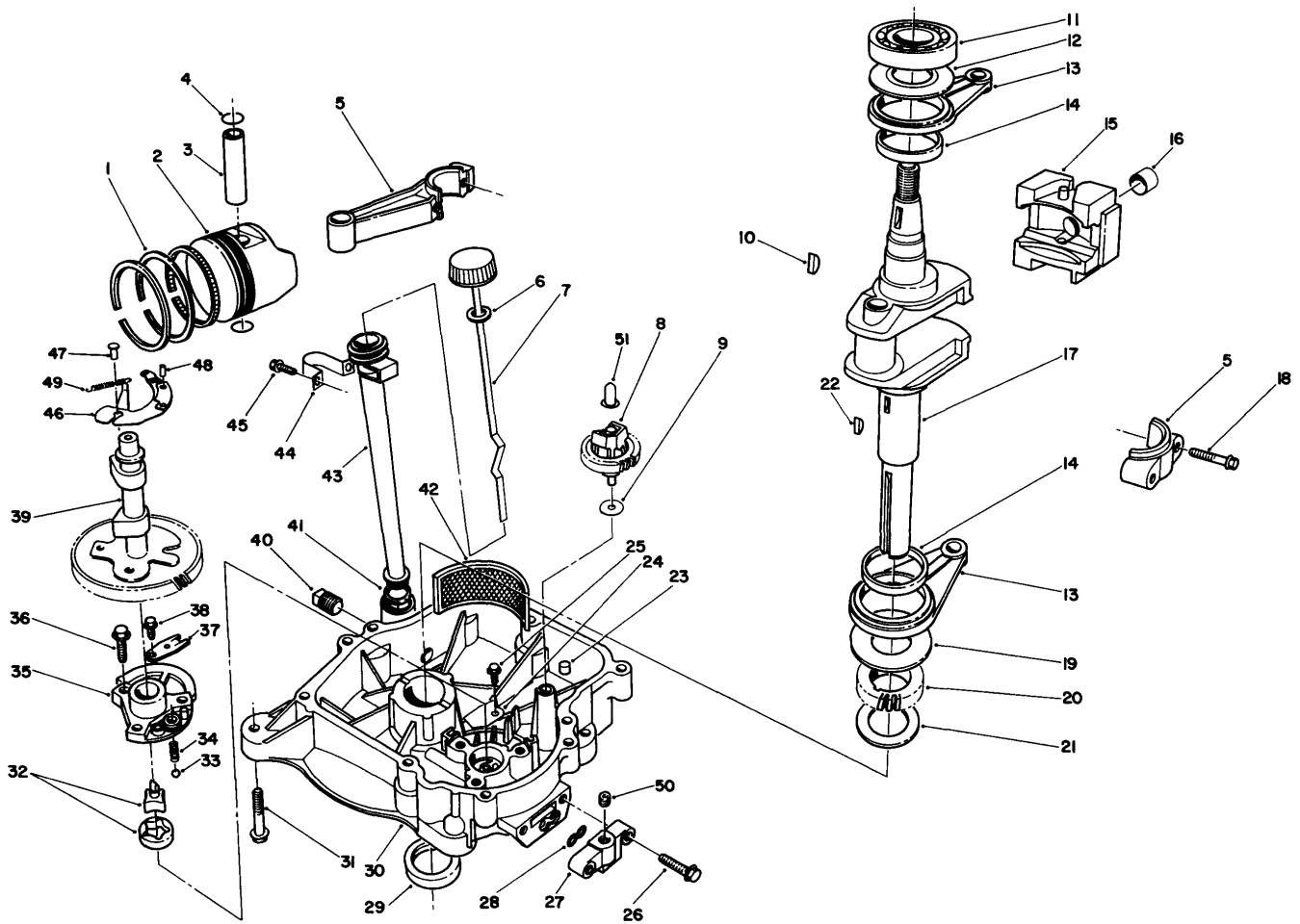
Handle Assembly

Ref.	Part Number	Qty.	Description	Ref.	Part Number	Qty.	Description
1	54-3070	2	Rod-Control	22	323-10	2	Screw-HH
2	51-4850	1	Lever-Parking Brake	23	32105-14	4	Screw-SHH
3	52-2010	1	Decal-Lever, Parking	24	32105-13	1	Screw-HWH
4	237-141	2	Grommet-Rubber	25	51-4760	1	Control-Pivot
5	3256-23	2	Washer-Flat	26	52-2120	1	Decal-Reverse Handle
6	3272-4	2	Pin-Cotter	27	3290-378	2	Tie-Cable
7	51-4730	1	Bar-Control	28	51-4550	1	Handle-Upper
8	54-2740	1	Decal-Control Bar	29	3234-11	4	Screw-HHF
9	3290-54	4	Rivet-Pop	30	32128-21	4	Nut-HF
10	3296-2	6	Nut-Lock, NI	31	57-5810	1	Panel-Bottom
11	32105-1	1	Screw-SHH	32	37-7600	1	Rectifier-Bridge
12	68-9680	1	Panel-Control	33	32104-76	4	Screw
13	57-6310	1	Decal-Control Panel	34	37-2610	1	Switch-Clutch (Incl. Ref. #14)
14	218-500	1	Nut	35	3296-42	2	Nut-Lock, NI
15	63-8360	1	Key-Ignition	36	3256-22	2	Washer-Flat
16	218-461	1	Nut-HH	37	2412-102	2	Clamp-R
17	3254-5	1	Washer-Tooth, Internal	38	321-3	2	Screw-HH
18	29-5560	1	Switch (Incl. Ref. #16 & 17)	39	65-5870	1	Tube
19	51-4820	1	Throttle-Control	40	65-5890	2	Cap-End
20	51-4790	2	Pivot-Spacer				
21	3253-21	2	Washer-Lock				



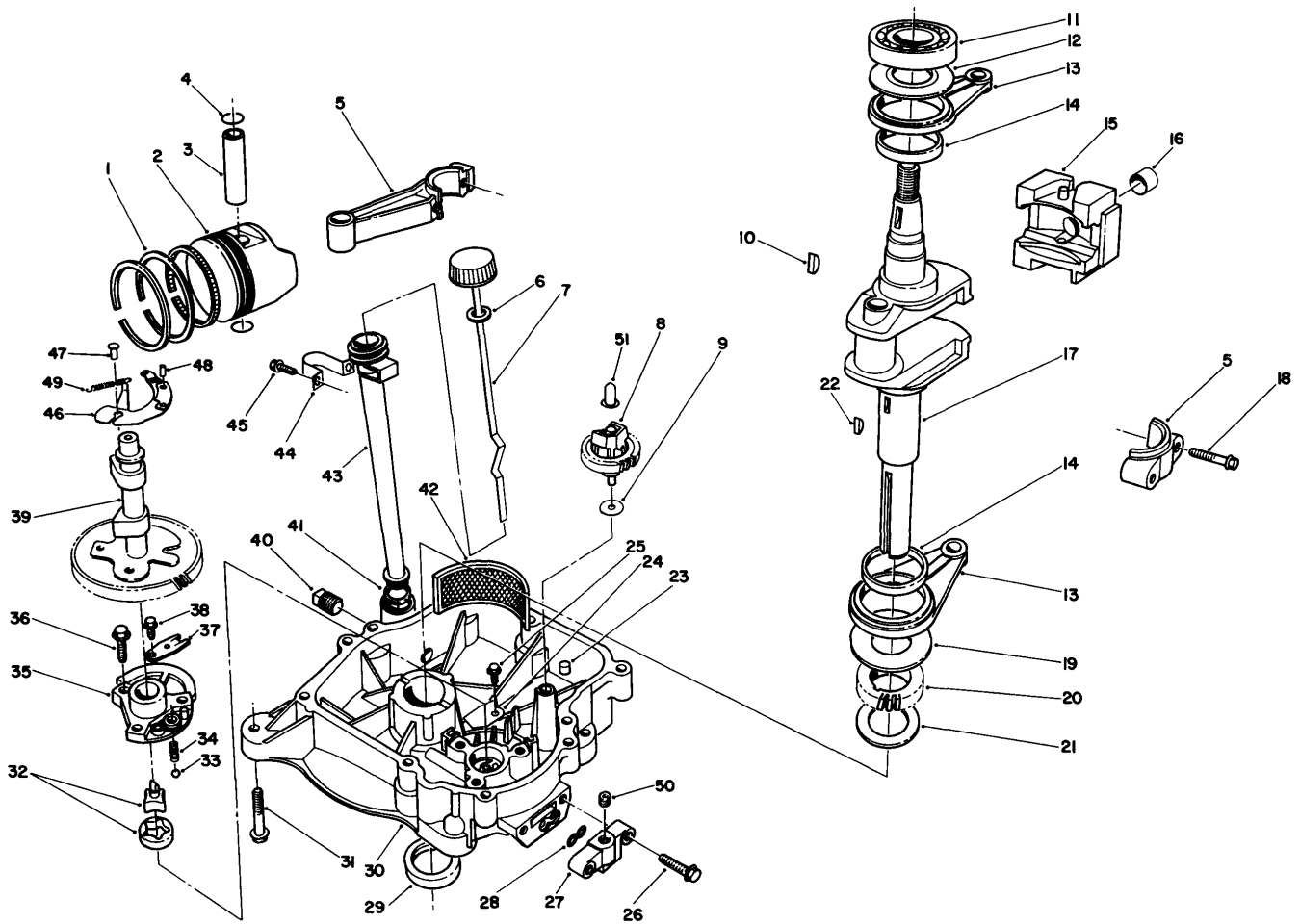
Engine Assembly

<i>Ref.</i>	<i>Part Number</i>	<i>Qty.</i>	<i>Description</i>	<i>Ref.</i>	<i>Part Number</i>	<i>Qty.</i>	<i>Description</i>
1	130G0610	8	Bolt-Flanged (6X10)	25	11009-2502	1	Gasket
2	49089-2181-9H	1	Shroud	26	314405-3092A	2	Screw
3	130G1055	4	Bolt	27	14025-2143	1	Cover
4	11001-2102	1	Cylinder Head	28	49108-2011	1	Cover-Valve Chamber
5	49089-2199-9H	1	Shroud	29	130G0616	4	Bolt-Flanged (6X16)
6	92071-2099	6	Grommet	30	12032-2058	2	Tappet
7	21119-2095	1	Igniter	31	39108-2054	2	Retainer-Spring
8	234b0408	1	Screw	32	49078-2058	1	Spring-Valve
9	310702-8137A	1	Bracket	33	49078-2059	1	Spring-Valve
10	59066-2295-9H	1	Fan Housing	34	49015-6001	1	Gasket
11	14069-2062	1	Breather	35	12039-2052	1	Rotator
12	11009-2339	1	Gasket	36	12005-2066	1	Exhaust Valve
13	14025-2040	1	Cover	37	12004-2076	1	Intake Valve
14	315501-5381A	2	Bolt	38	49002-2070	1	Guide-Intake Valve
15	312200-7415-02	2	Gasket	39	92004-2082	3	Stud
16	92049-2096	1	Oil Seal	40	49002-2071	1	Guide-Exhaust Valve
17	171G0612	2	Stud	41	11004-2079	1	Gasket
18	92015-1193	4	Nut	42	92015-2115	3	Nut
19	13107-2091	1	Shaft	43	92070-2072	1	Spark Plug
20	92004-2083	4	Stud	44	92002-2258	2	Bolt
21	92055-2072	1	O-Ring	46	410B1000	2	Washer
22	31796-6812-00	1	Clip	47	92059-2142	1	Tube
23	92066-2096	1	Plug	48	59071-2062	1	Joint
24	49120-6025	1	Crankcase Assembly				



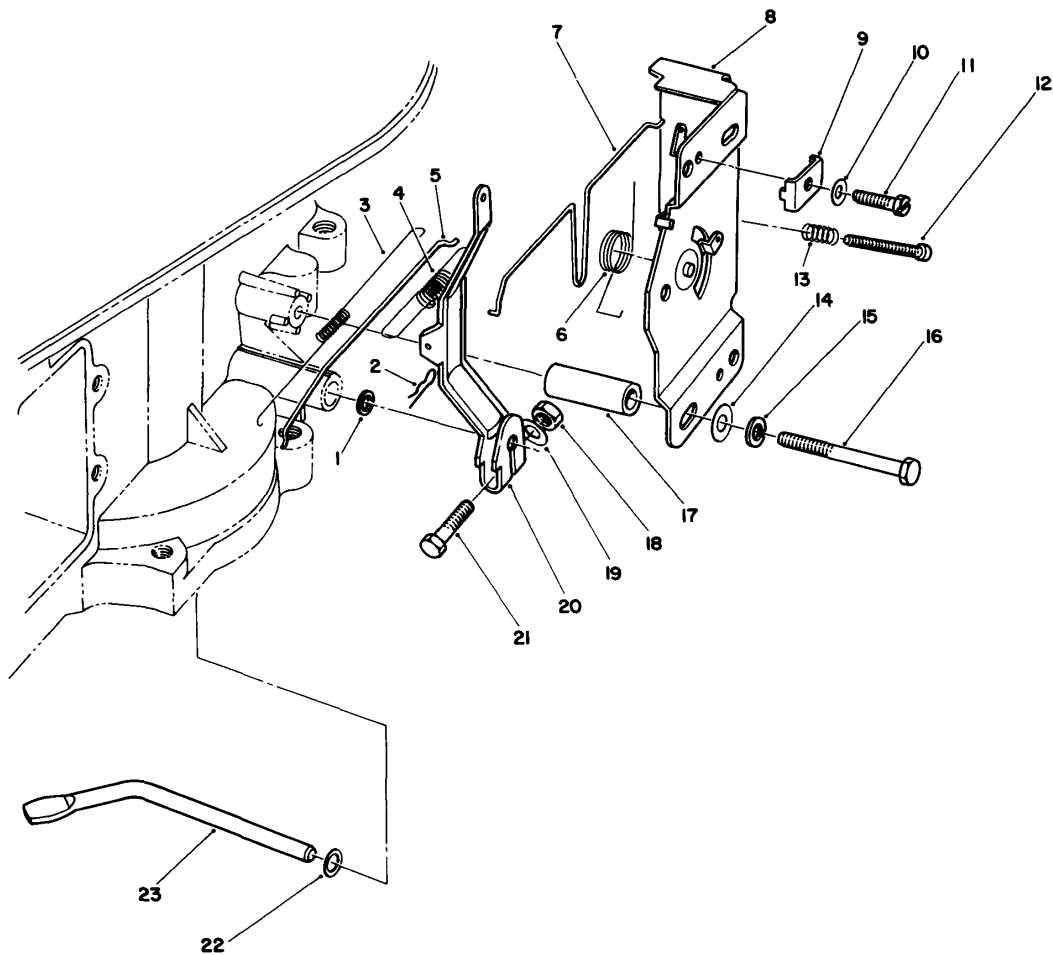
Crankcase Assembly

Ref.	Part Number	Qty.	Description	Ref.	Part Number	Qty.	Description
1	13008-6001	1	Piston Ring Set	21	92025-2145	0	Shim (1.18)
	13008-6002	0	Set-Ring Piston 0.25		92025-2146	0	Shim (1.25)
	13008-6003	0	Set-Ring Piston 0.50		92025-2147	0	Shim (1.32)
	13008-6004	0	Piston Rin Set (.75Mm)		92025-2148	0	Shim (1.39)
2	13001-2084	1	Piston		92025-2149	0	Shim (1.46)
	13029-2019	0	Piston 0.25		92025-2150	0	Shim (1.53)
	13029-2020	0	Piston 0.50		92025-2151	0	Shim (1.60)
	13027-2001	0	Piston (.75Mm)		92025-2152	0	Shim (1.67)
3	13002-2066	1	Pin-Piston		92025-2153	0	Shim (1.74)
4	92033-2066	2	Ring-Snap	22	92038-2094	1	Key
5	13251-6005	1	Rod ASM Incl #10 11	23	92043-1263	2	Pin
	13251-6007	0	Rod ASM Incl #10 110.50	24	13169-2359	1	Plate
6	11009-2346	1	Gasket	25	130B0508	1	Bolt
7	52005-2058	1	Gauge	26	130B0830	2	Bolt
8	49110-2067	1	Governor ASM	27	14025-2145	1	Cover
9	314401-5135A	1	Washer	28	92055-2063	1	Seal
10	92038-2094	1	Key	29	92049-2104	1	Oil Seal
11	601A6207	1	Ball Bearing	30	49015-6001	1	Gasket
12	92026-2164	1	Spacer	31	130G0845	4	Bolt-Flanged (8X45)
13	46102-6001	2	Rod Assembly	32	16082-2057	1	Pump ASM-Oil
14	92141-2094	2	Bearing Plane	33	600A1000	1	Ball
15	13042-6006	1	Weight	34	92081-2216	1	Spring
16	92141-2097	1	Bushing	35	16142-6001	1	Cover-Pump
17	49119-2133	1	Crankshaft	36	130G0825	3	Bolt-Flanged (8X25)
18	315801-3245A	2	Bolt	37	13169-2360	1	Plate
19	92026-2156	1	Spacer	38	130B0610	1	Bolt-Flanged (6X10)
20	59056-2105	1	Gear	39	49118-2064	1	Camshaft Compression



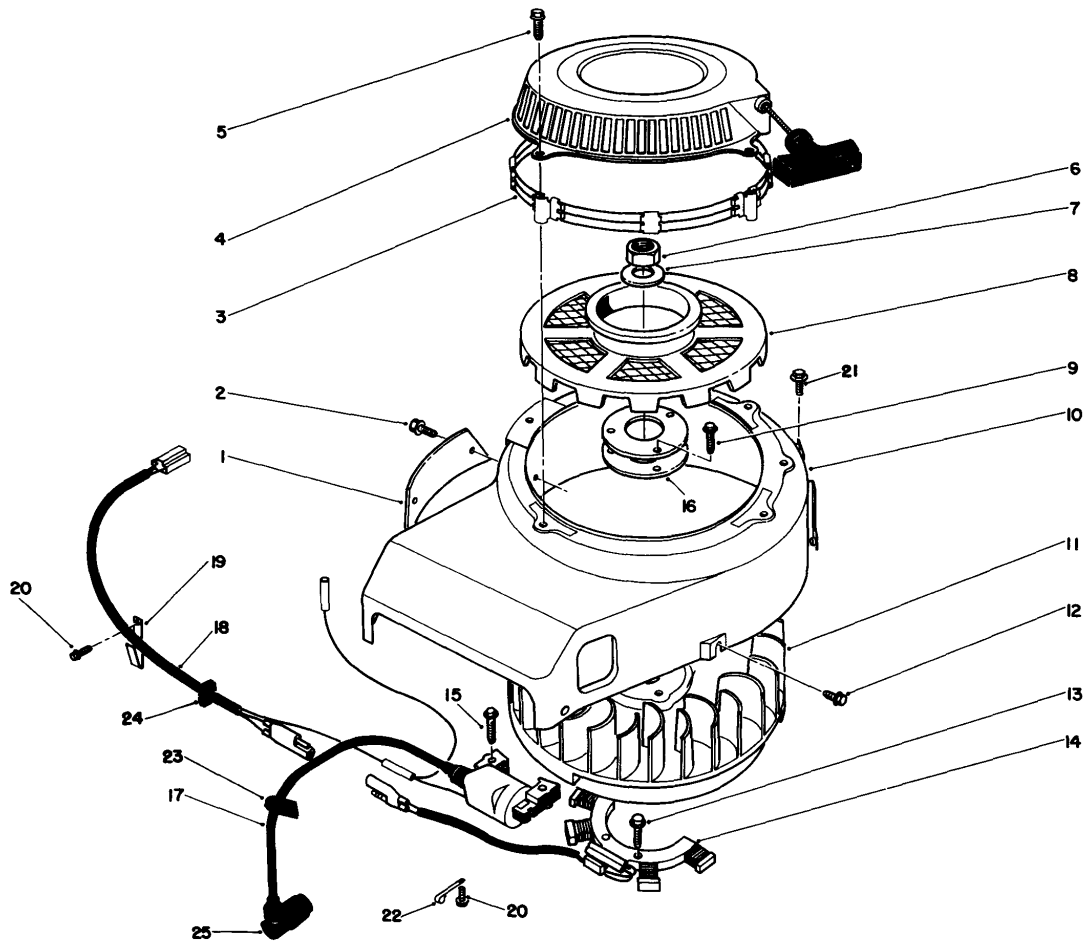
Crankcase Assembly (continued)

<i>Ref.</i>	<i>Part Number</i>	<i>Qty.</i>	<i>Description</i>	<i>Ref.</i>	<i>Part Number</i>	<i>Qty.</i>	<i>Description</i>
40	92066-2097	1	Plug	46	21118-2068	1	Decompressor
41	670D2016	1	O-Ring (16Mm)	47	92043-2113	2	Pin
42	49065-2056	1	Filter-Oil	48	92043-2167	1	Pin
43	59231-2059	1	Filler	49	92144-2171	1	Spring
44	92037-2160-9H	1	Clamp	50	92066-2102	1	Plug
45	130B0508	1	Bolt	51	42036-2060	1	Sleeve



Governor Assembly

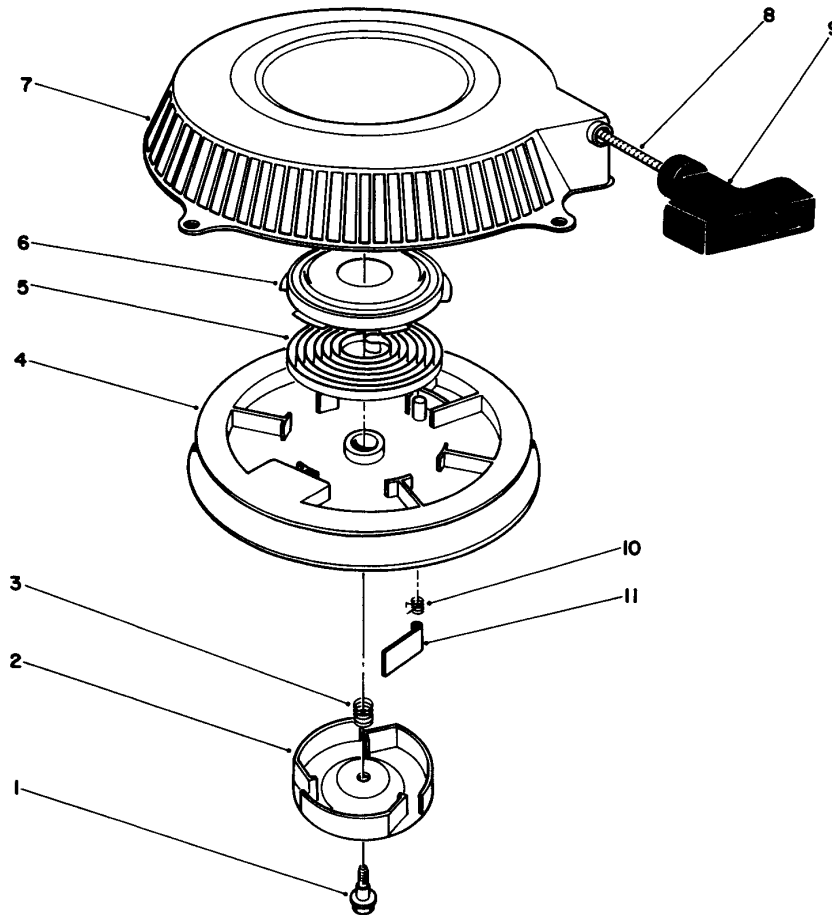
Ref.	Part Number	Qty.	Description
1	92049-2097	1	Seal-Oil (Vc6X10X2.6)
2	554A0600	1	Pin-Snap (1.2 X 21.2)
3	92081-2213	1	Spring
4	39129-2010	1	Spring
5	16171-2001	1	Link
6	92081-2316	1	Spring
7	16169-2074	1	Link-Choke
8	49113-2067	1	Panel Incl #2 4-7
9	92037-2020	1	Clamp
10	411B0500	1	Washer
11	310701-1225A	1	Bolt
12	214b0425	1	Screw
13	314401-5321B	1	Spring
14	311509-3595-00	2	Washer
15	461F0600	2	Washer
16	112B0650	2	Bolt
17	92027-2071	2	Collar
18	311B0600	1	Nut-Hex (6Mm)
19	411B0600	1	Washer-Plain (6Mm)
20	21187-2052	1	Arm ASM
21	92002-2269	1	Bolt (6X28)
22	410B0600	1	Washer
23	39003-2062	1	Arm-Pivot



Recoil and Flywheel Assembly

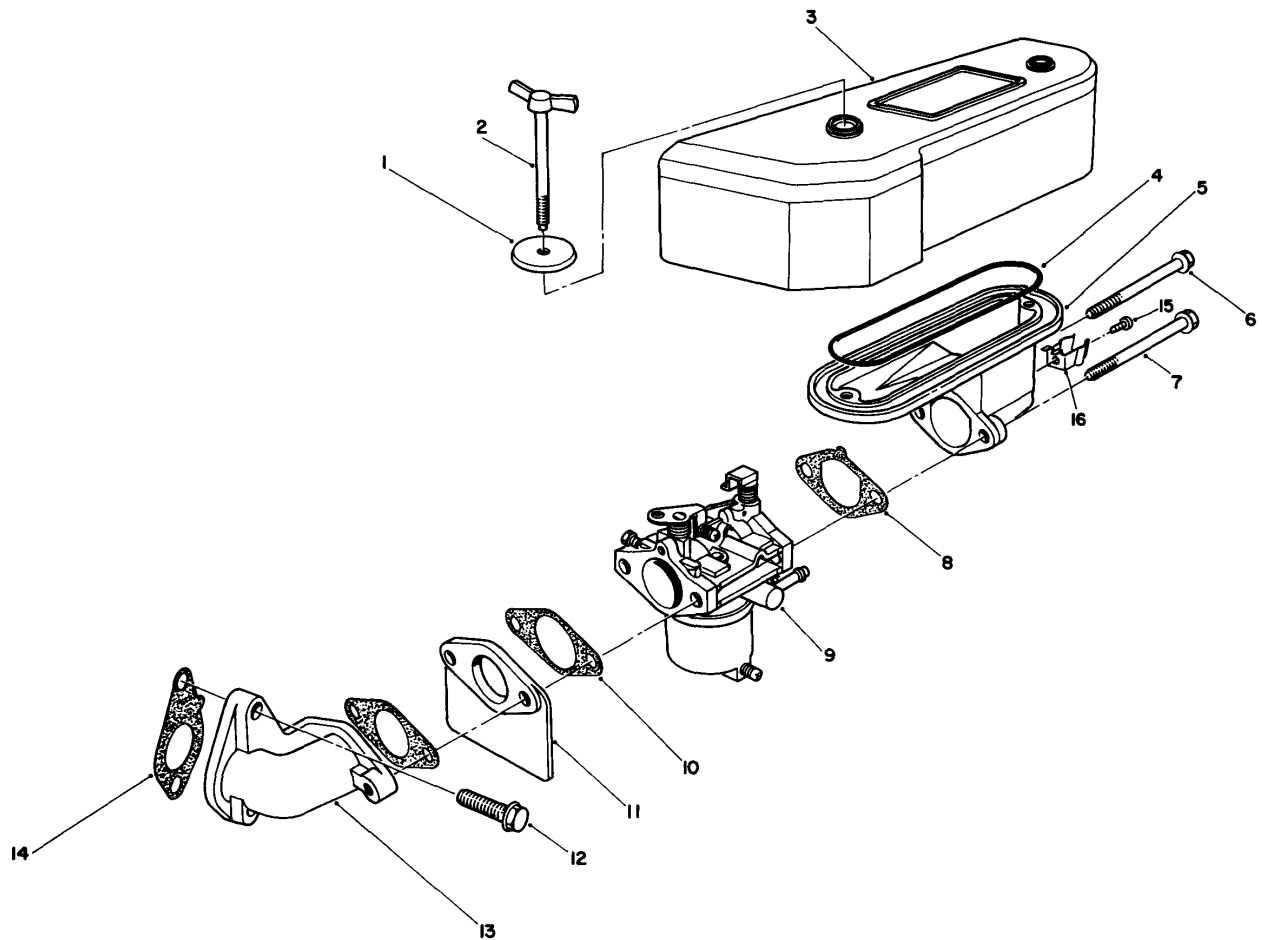
<i>Ref.</i>	<i>Part Number</i>	<i>Qty.</i>	<i>Description</i>	<i>Ref.</i>	<i>Part Number</i>	<i>Qty.</i>	<i>Description</i>
1	14024-2038-9H	1	Cover	14	59031-2065	1	Coil
2	234b0408	2	Screw	15	130B0525	2	Bolt
3	55020-2054	1	Guard	16	92025-2161	0	Shim
4	49088-2212-YK	1	Recoil Starter ASM	17	21121-2008	1	Coil
5	130B0635	4	Bolt-Flanged (6X35)	18	26001-2113	1	Harness
6	314G1800	1	Nut	19	313646-8161-00	1	Clamp
7	92022-2178	1	Washer	20	130G0610	2	Bolt-Flanged (6X10)
8	49080-2123YK	1	Pulley	21	130G0614	2	Bolt-Flanged (6X14)
9	130G0812	3	Bolt-Flanged (8X12)	22	92037-2158	1	Clamp
10	59066-2310-9H	1	Housing-Fan	23	92071-2100	1	Grommet
11	21194-2001	1	Flywheel	24	92071-2099	1	Grommet
12	130B0610	2	Bolt-Flanged (6X10)	25	21130-2060	1	Cap-Spark
13	244B0620	2	Screw		26011-2119	1	Lead Wire ●

● Not illustrated



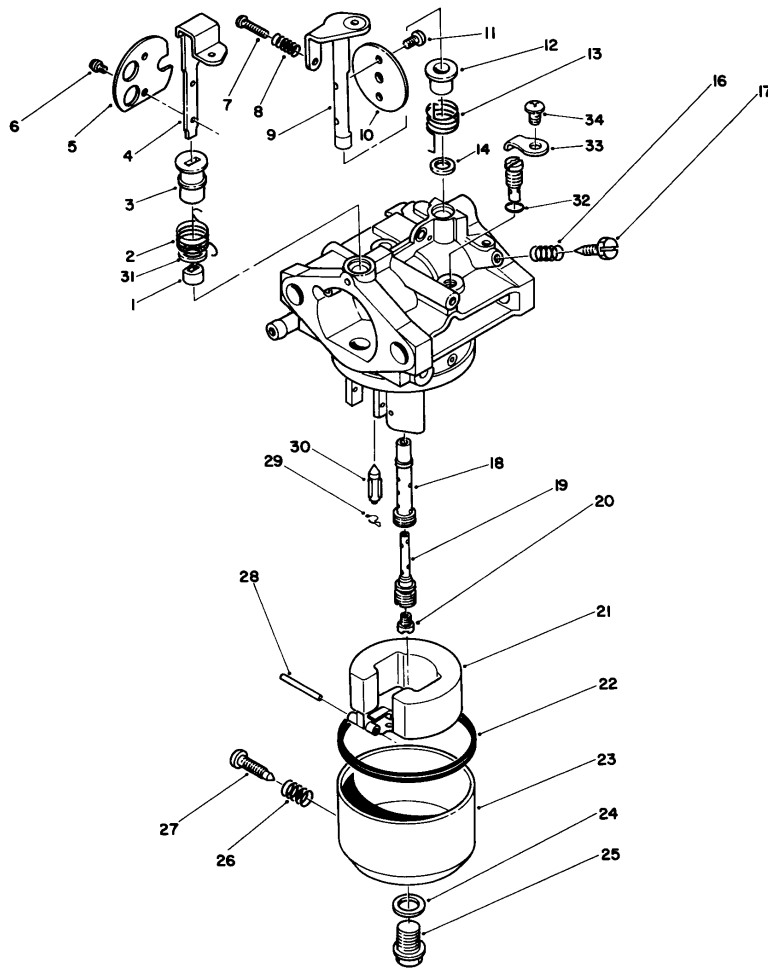
Recoil Assembly

<i>Ref.</i>	<i>Part Number</i>	<i>Qty.</i>	<i>Description</i>
1	314501-3447A	1	Bolt
2	14020-2054	1	Retainer
3	92081-2268	1	Spring
4	59101-2054	1	Reel
5	92081-2267	1	Spring
6	32099-2060	1	Case
7	32099-2059YK	1	Case
8	59106-2060	1	Rope
9	46075-2059	1	Grip
10	314401-3444A	3	Spring-Return
11	13165-2057	3	Pawl
	49088-2212-YK	1	Recoil Starter ASM



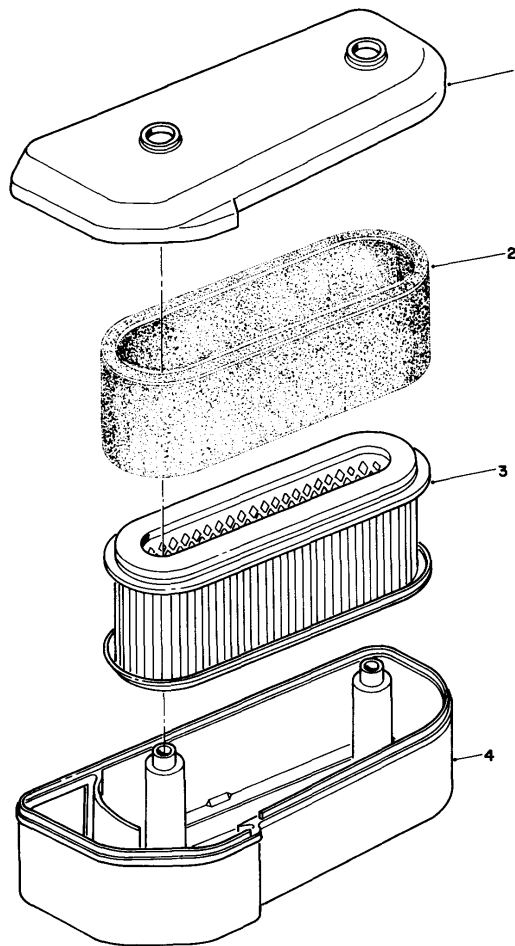
Air Cleaner and Carburetor Assembly

<i>Ref.</i>	<i>Part Number</i>	<i>Qty.</i>	<i>Description</i>
1	92022-2220	2	Washer
2	92002-2230	2	Bolt
3	11010-2291	1	Filter ASM
4	11009-2443	1	Gasket
5	16060-2108	1	Pipe-Intake
6	92002-2254	1	Bolt
7	92002-2253	1	Bolt
8	11009-2344	1	Gasket
9	15001-2721	1	Carburetor ASM
10	11009-2343	2	Gasket
11	16073-2091	1	Insulator
12	130G0825	2	Bolt-Flanged (8X25)
13	16060-2109	1	Pipe-Intake
14	11009-2342	1	Gasket
15	224B0508	1	Screw
16	92037-2019	1	Clamp



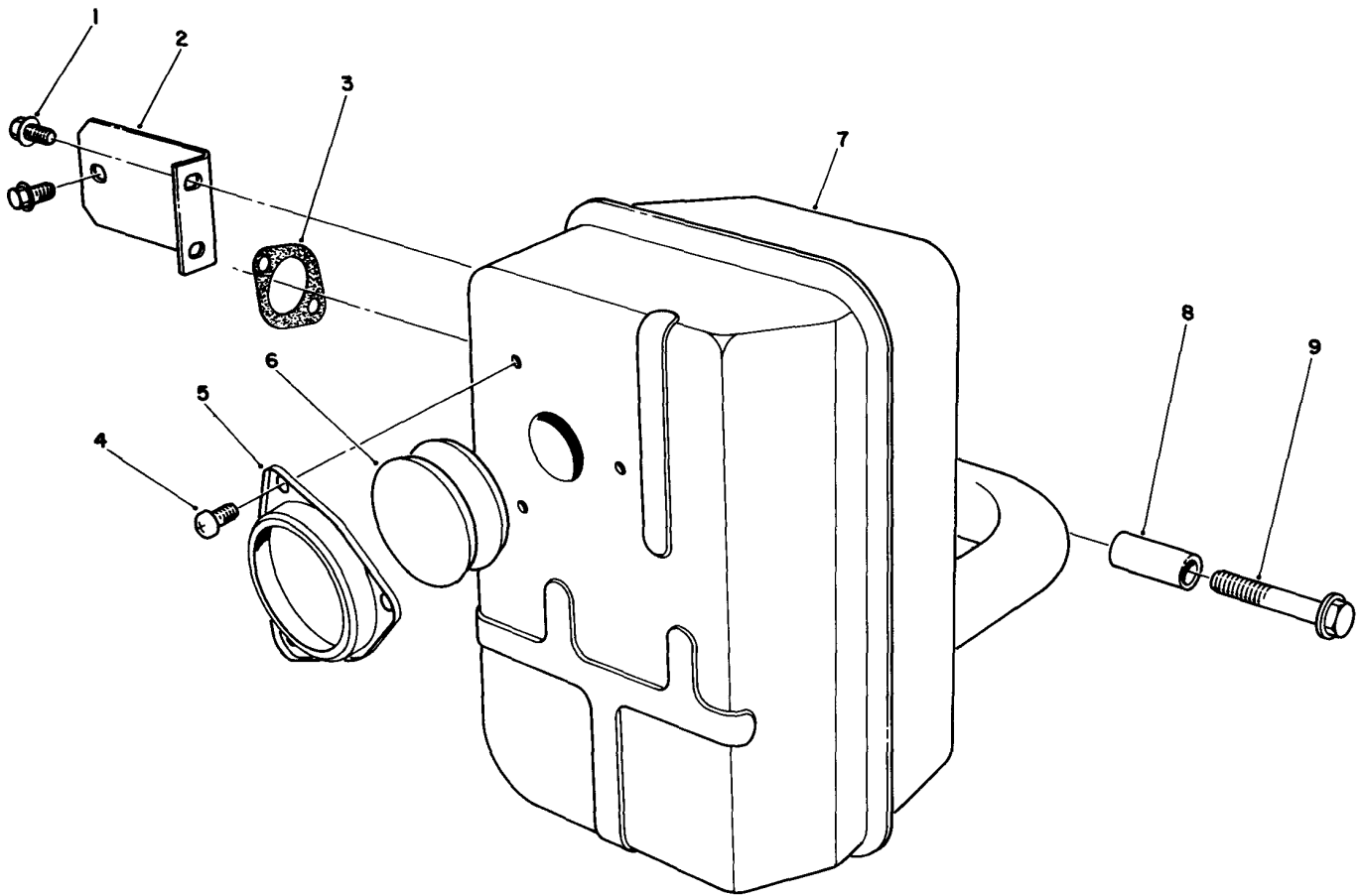
Carburetor Assembly

<i>Ref.</i>	<i>Part Number</i>	<i>Qty.</i>	<i>Description</i>	<i>Ref.</i>	<i>Part Number</i>	<i>Qty.</i>	<i>Description</i>
1	314598-6138A	1	Ring	19	49123-2058	1	Pipe-Bleed
2	92144-2160	1	Spring	20	92063-2010	1	Jet
3	92143-2142	1	Ring	21	16031-2066	1	Float
4	16041-2010	1	Shaft-Choke	22	313650-6128-00	1	Gasket
5	16126-2105	1	Valve-Choke	23	16020-2094	1	Chamber-Float
6	314572-6137A	2	Screw	24	318190-6159-00	1	Washer
7	92009-2079	1	Screw	25	314486-6143A	1	Bolt
8	313650-6108-00	1	Spring	26	313122-6116-00	1	Spring
9	16041-2009	1	Shaft-Throttle	27	315470-6133A	1	Screw
10	16025-2114	1	Valve-Throttle	28	314499-6127A	1	Pin
11	316550-6137A	2	Screw	29	315721-6134A	1	Clip
12	92027-2025	1	Collar	30	16030-2021	1	Valve-Needle
13	92081-2077	1	Spring		15001-2721	1	Carburetor ASM
14	316626-6206A	1	Seal	31	92093-2069	1	Seal
15	92064-2062	1	Jet	32	16038-024	1	Gasket
16	312750-6116-00	1	Spring	33	13183-2252	1	Plate
17	16014-2055	1	Screw	34	92009-2244	1	Screw
18	49121-2077	1	Nozzle				



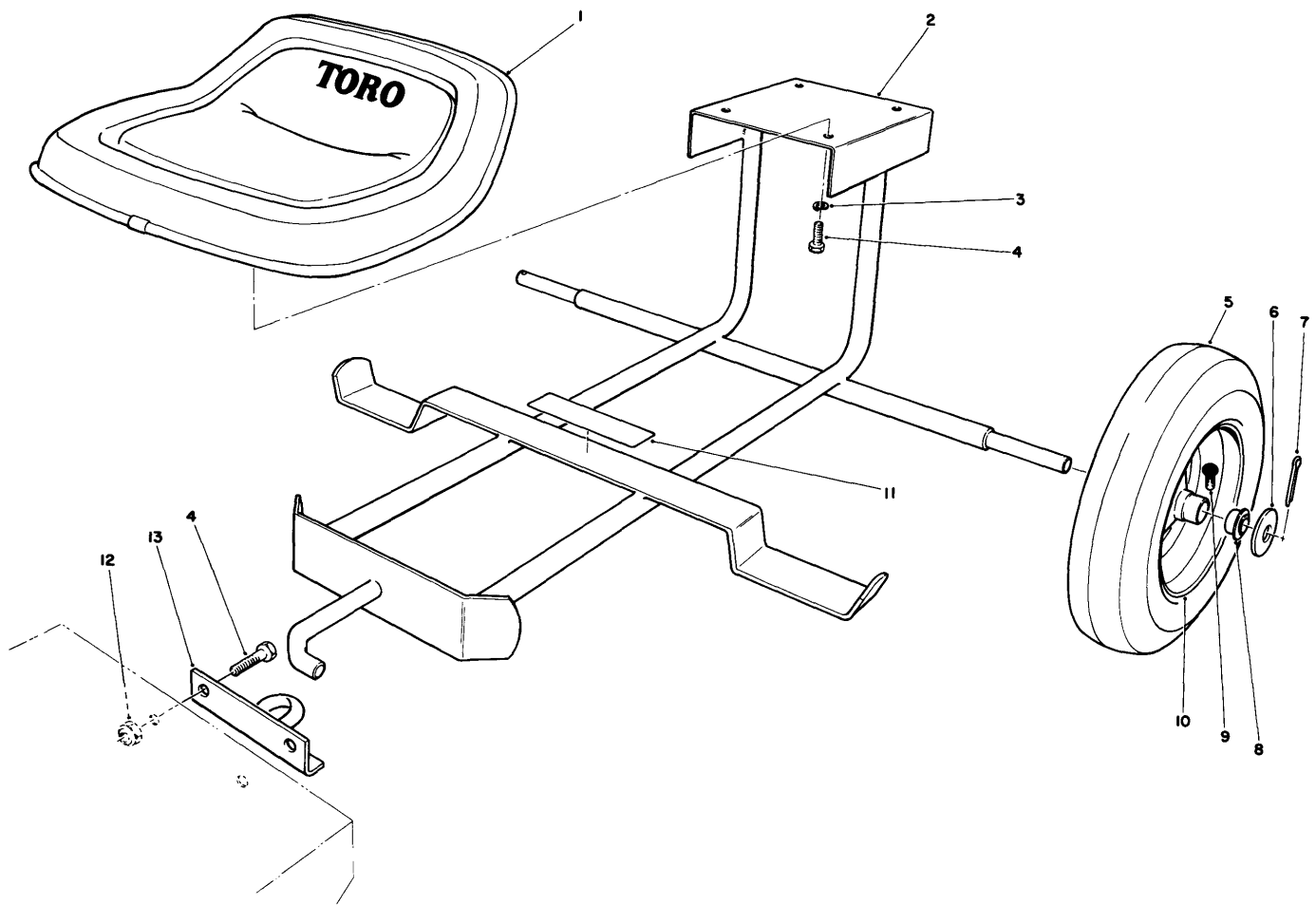
Air Cleaner Assembly

<i>Ref.</i>	<i>Part Number</i>	<i>Qty.</i>	<i>Description</i>
1	11012-2192	1	Cap-Air Filter
2	11013-2020	1	Element
3	11013-2021	1	Element
4	11011-2174	1	Case-Air Filter
	11010-2291	1	Filter ASM



Muffler Assembly

<i>Ref.</i>	<i>Part Number</i>	<i>Qty.</i>	<i>Description</i>
1	130G0812	4	Bolt-Flanged (8X12)
2	11044-2069-9Y	1	Bracket
3	11009-2378	1	Gasket
4	92009-2166	3	Screw
5	11012-2165-9Y	1	Cap
6	18077-2052	2	Arrester-Spark
7	49069-2190-9Y	1	Muffler ASM
8	92027-2081	2	Collar
9	130G0845	2	Bolt-Flanged (8X45)



Sulky Kit Model No. 30122 (optional)

Ref.	Part Number	Qty.	Description
1	38-0840	1	Seat
2	55-9810	1	Frame ASM
3	3253-4	4	Washer-Lock
4	322-3	6	Screw-HH
5	55-3720	2	Tire
6	3256-39	2	Washer-Flat
7	3272-12	2	Pin-Cotter
8	55-3740	4	Bearing
9	55-3730	2	Valve Stem-Inner Tube
10	55-3750	2	Wheel
11	55-9900	1	Sulky Decal
12	3296-29	2	Nut-Lock, NI
13	68-4190	1	Hitch

Notes:

Notes:

Notes:



Count on it.