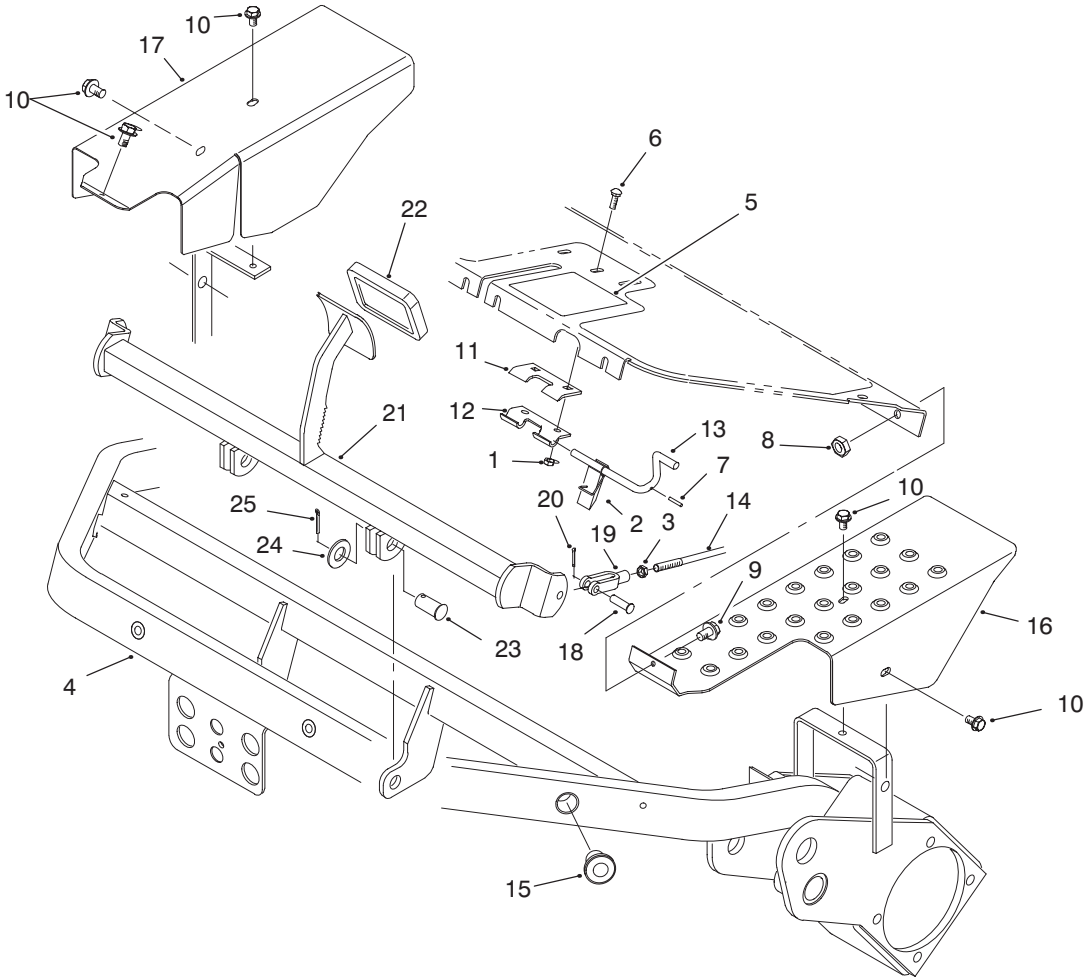




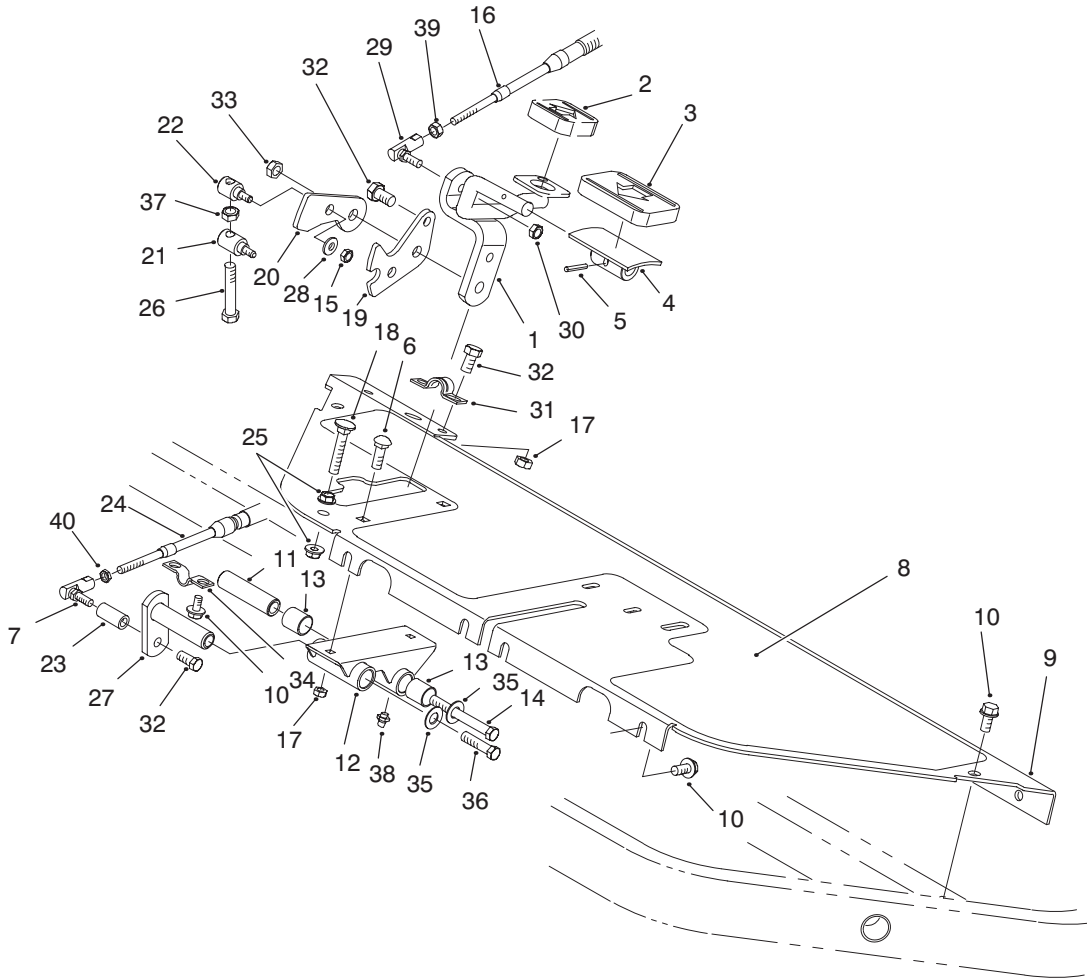
<b>MODEL NO. 04380-60198 &amp; UP</b>	<b>PARTS CATALOG</b>
<b>GREENSMASTER 3200 TRACTION UNIT</b>	



T-2222-3

## FRAME & BRAKE PEDAL ASSEMBLY

Ref. No.	Part No.	Description	No. Used	Ref. No.	Part No.	Description	No. Used
1	33023-00	Nut - Lock	2	14	93-2069	Rod - Brake	2
2	93-2276	Spring - Brake Latch	1	15	83-1700	Bushing - Flange	3
3	3220-2	Nut - Jam	2	16	93-2073	Shield - Wheel LH	1
4	93-2010	Frame	1	17	93-2072	Shield - Wheel RH	1
5	93-8062	Decal - Parking Brake	1	18	283-61	Pin - Clevis	2
6	33123-016	Screw - Carriage	2	19	282-2	Clevis	2
7	32121-50	Pin - Roll	1	20	3272-6	Pin - Cotter	2
8	33024-00	Nut - Lock	1	21	93-2075	Brake Pedal	1
9	33114-020	Screw - HH	1	22	93-7629	Pad - Foot Brake	1
10	32144-14	Screw - HH	5	23	283-87	Pin - Clevis	2
11	10-7880	Hinge - Upper	1	24	3256-27	Washer - Flat	2
12	10-7890	Hinge - Lower	1	25	3272-11	Pin - Cotter	2
13	94-9600	Brake Latch	1				

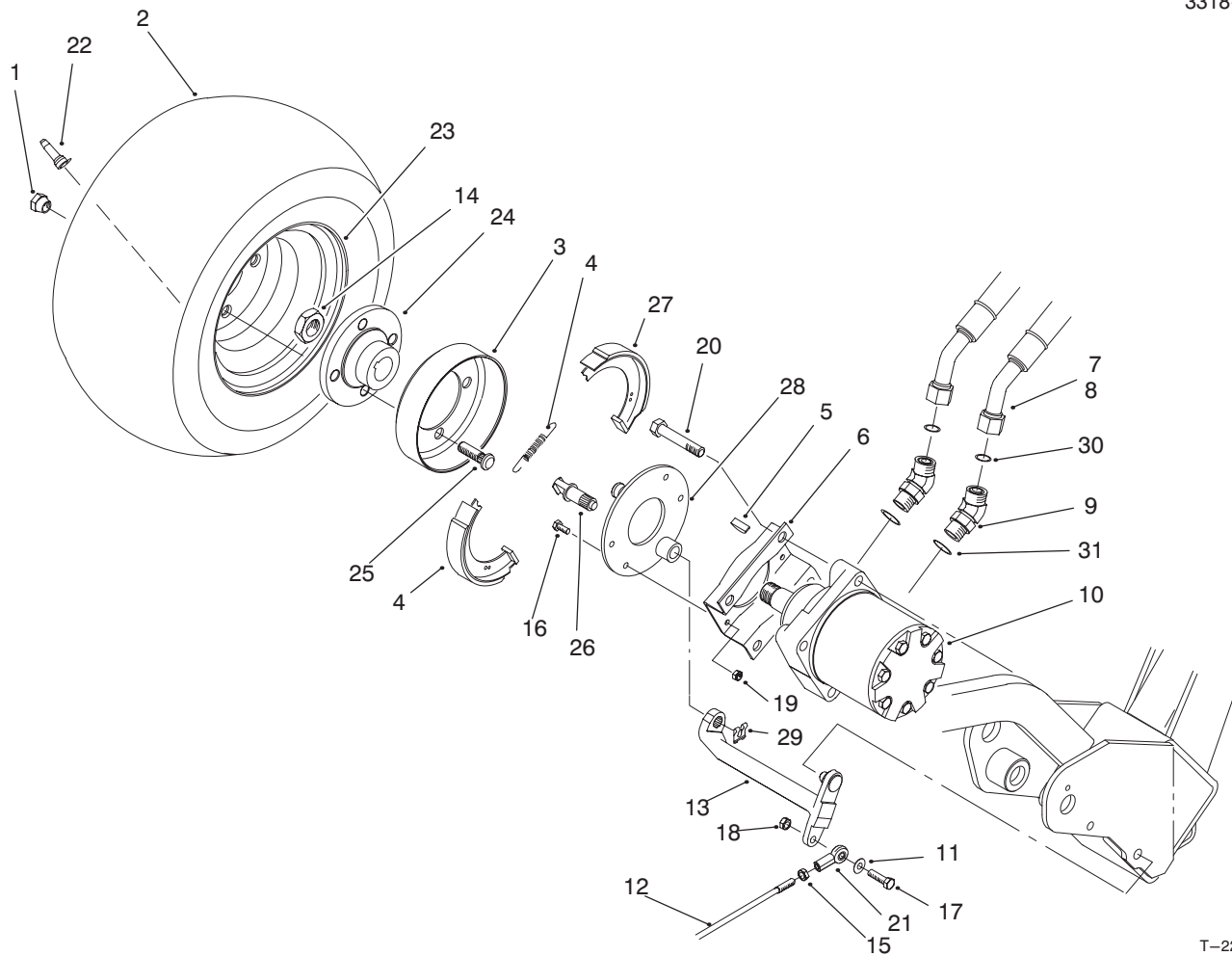


T-2242-2

## FLOOR PANEL & TRACTION PEDAL ASSEMBLY

Ref. No.	Part No.	Description	No. Used
1	93-2085	Rod	1
2	74-9110	Pad - Pedal Reverse	1
3	74-9100	Pad - Pedal Forward	1
4	49-6440	Pedal - Accelerator	1
5	32121-45	Roll Pin	1
6	33124-020	Screw - Carr.	2
7	2411-38	Ball Joint Assembly	1
8	93-2142	Pad - Floor Plate	1
9	94-6399	Plate - Floor	1
10	32144-14	Screw - HH	8
11	94-1371	Spacer	1
12	94-1383	Pedal Pivot	1
13	256-311	Bushing - Straight	4
14	33115-090	Screw - HH	1
15	33023-00	Nut - Lock	2
16	93-2099	Cable - Traction Control	1
17	33024-00	Nut - Lock	4
18	17-9420	Screw - Handle	1
19	94-1373	Bracket - Lock	1
20	94-1372	Bracket - Mow	1

Ref. No.	Part No.	Description	No. Used
21	94-1375	Trunion Lock Bracket	1
22	94-1374	Trunion Mow Bracket	1
23	94-1386	Shaft - Pedal Lock	1
24	94-1304	Cable - Neutral Lock	1
25	32128-20	Nut - Lock	2
26	94-3489	Screw - HH	1
27	94-1300	Neutral Lock	1
28	3256-1	Washer - Flat	2
29	2411-34	Ball Joint	1
30	3296-13	Nut - Lock	1
31	93-2092	Clamp - Cable	1
32	33114-016	Screw - HH	4
33	33025-00	Nut - Lock	1
34	93-2279	Clamp - Cable	1
35	3256-24	Washer - Flat	2
36	33115-016	Screw - HH	1
37	33014-00	Nut - Hex	1
38	302-5	Fitting - Grease	1
39	3220-1	Nut - Jam	1
40	3219-14	Nut - Hex.	1



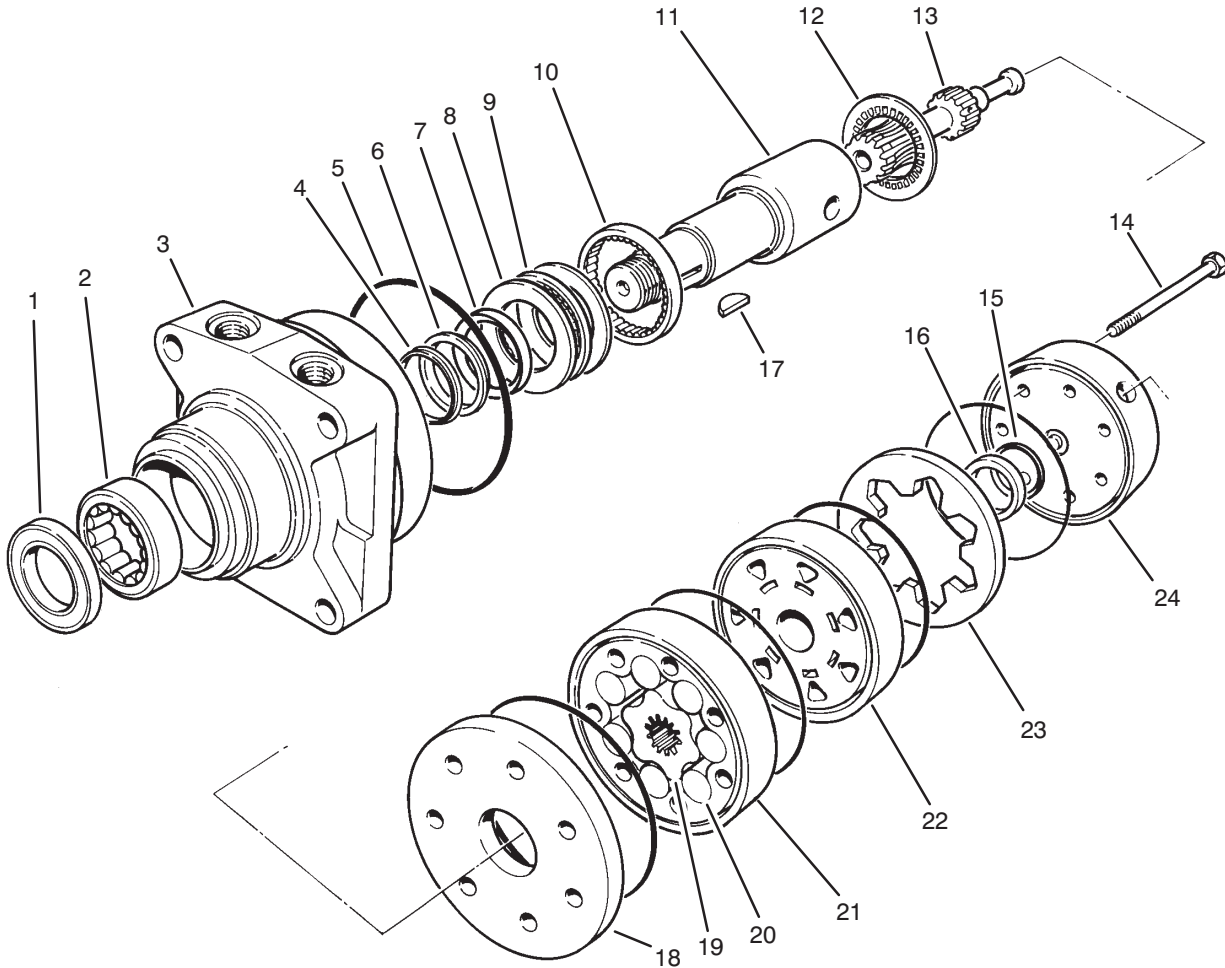
T-2223-1

## FRONT WHEEL & BRAKE ASSEMBLY

Ref. No.	Part No.	Description	No. Used
1	242-50	Nut - Lug	8
2	28-3680	Tire	2
3	10-6850	Drum - Brake	2
4	70-9880	Spring - Return	4
5	3257-42	Key - Woodruff	2
6	84-2000	Bracket - Brake	2
7	94-5357	Hose Assembly - RH	2
8	94-5358	Hose Assembly - LH	2
9	340-14	Fitting - 45° (Incl. Ref. #30-31)	4
10	92-9199	Hydraulic Motor - Wheel	2
11	3256-23	Washer - Flat	2
12	93-2069	Rod - Brake	2
13	93-2096	Lever - Brake	2
14	26-3790	Nut - Lock	2
15	3220-20	Nut - Jam	2
16	33113-020	Screw - HH	8
17	33114-030	Screw - HH	2

Ref. No.	Part No.	Description	No. Used
18	33024-00	Nut - Lock NI	2
19	33023-00	Nut - Lock NI	8
20	33116-060	Screw - HH	8
21	93-2070	Clevis - Swivel	2
22	232-24	Stem - Valve	2
23	217-60	Rim	2
24	10-6870	Hub - Wheel	2
25	85-6540	Stud - Drive	8
26	70-9860	Cam - Brake	2
27	70-9840	Shoe - Brake	4
28	70-9870	Plate - Backing	2
29	70-9850	Clip - Retaining	2
30	237-65	O-Ring	4
31	237-80	O-Ring	4
*	10-6821	Brake Drum Assembly (Incl. Ref. #3 & 24-25)	2
*	71-1500	Brake Assembly (Incl. Ref. #4 & 26-29)	2

\*Not Illustrated



T-0983-1

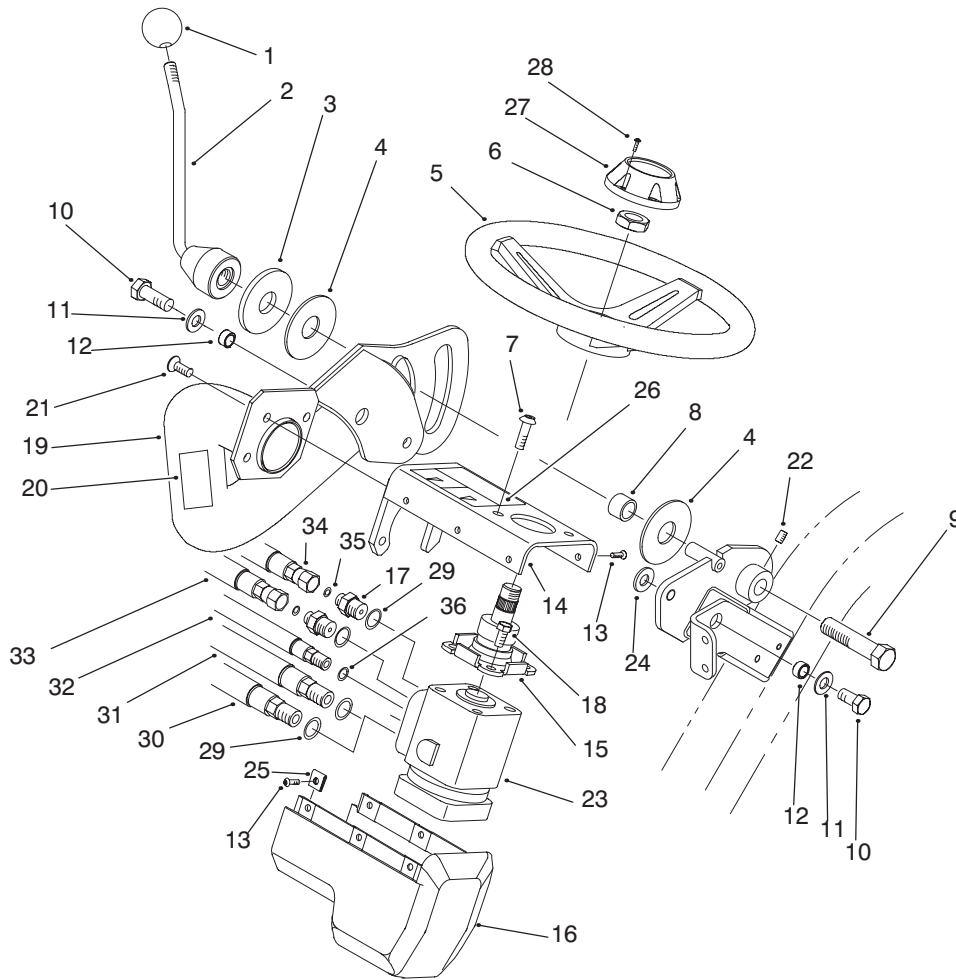
## HYDRAULIC DRIVE MOTOR ASSEMBLY NO. 92-9199

Ref. No.	Part No.	Description	No. Used
†1		Seal - Dirt & Water	1
†2		Bearing	1
†3		Housing	1
†4		Washer - Back-Up	1
†5		Ring - Seal	5
†6		Washer - Back-Up	1
†7		Seal - Inner	1
†8		Washer - Thrust	2
†9		Bearing - Thrust	1
†10		Bearing	1
11	76-0860	Shaft - Coupling	1
12	76-0850	Bearing - Thrust	1
13	92-9761	Link - Drive	7
14	92-9762	Screw - Cap Hex. Hd.	1
†15		Seal - Commutator	1
†16		Commutator	1

Ref. No.	Part No.	Description	No. Used
17	3257-42	Key - Woodruff	1
18	76-0870	Plate - Wear	1
†19		Rotor	1
†20		Vane	7
†21		Stator	1
22	76-0840	Manifold	1
†23		Ring - Commutator	1
24	76-0940	End Cover Assembly	1
*	92-9763	Rotor Set (Incl. Ref. #19-21)	1
*	76-0880	Commutator Assembly (Incl. Ref. #15, 16 & 23)	1
*	94-8178	Seal Kit (Incl. Ref. #1, 4-7 & 15)	1
*	76-0810	Housing Assembly (Incl. Ref. #2, 3 & 8-10)	1

\*Not Illustrated

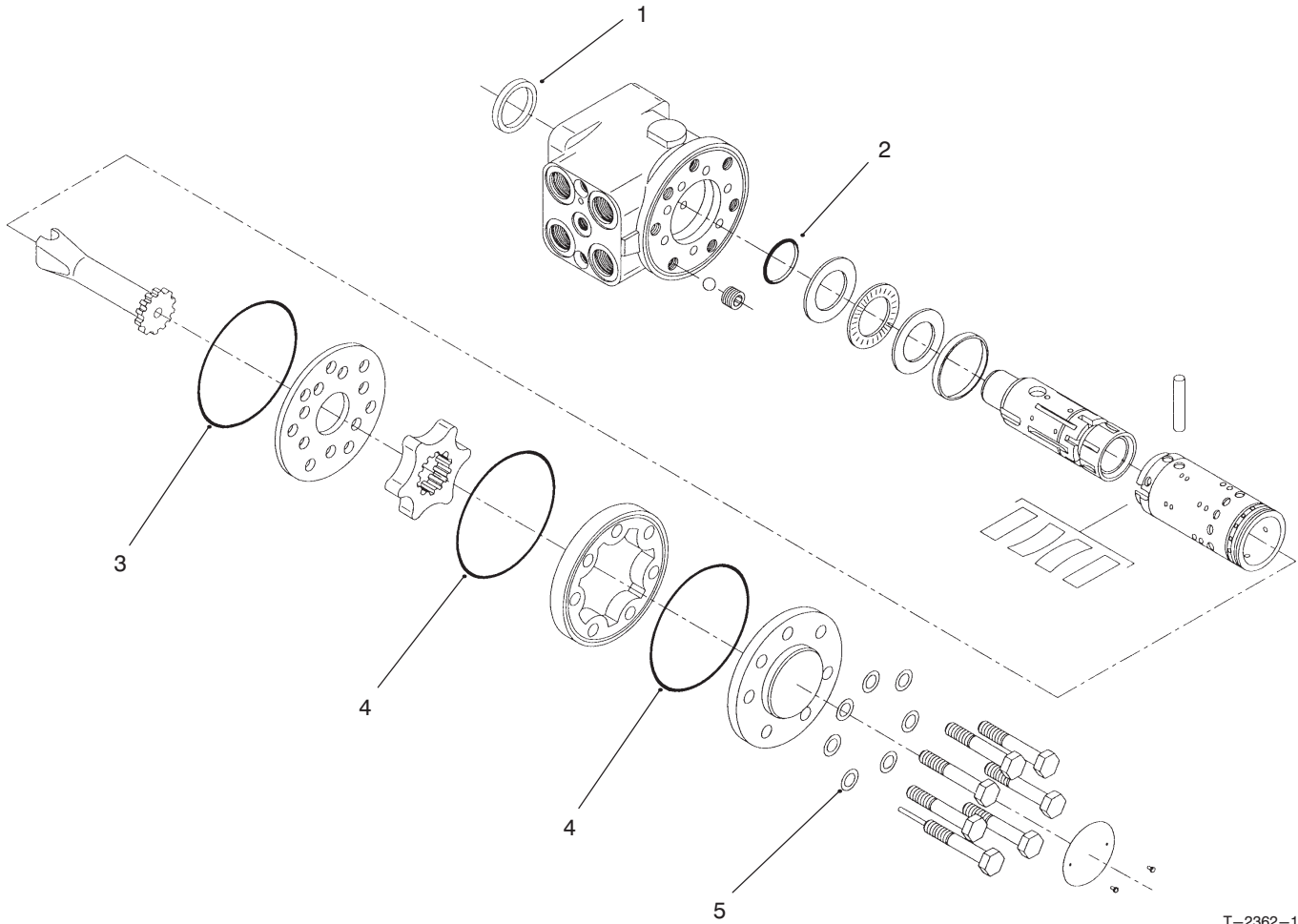
†Not Serviced Separately



T-2224-1

## STEERING ARM ASSEMBLY

Ref. No.	Part No.	Description	No. Used	Ref. No.	Part No.	Description	No. Used
1	233-48	Knob	1	18	323-4	Screw - HH	2
2	93-2400	Lockup Handle	1	19	93-2115	Steering Arm	1
3	83-0760	Spacer - Lockup	1	20	93-8068	Decal - Steering Arm	1
4	83-0740	Disc - Friction	2	21	3274-80	Screw - HSBH	3
5	68-5130	Wheel - Steering (Incl. Ref. #27-28)	1	22	3242-2	Screw - Set	1
6	47-6990	Nut - Steering Wheel	1	23	93-2120	Steering Control Valve	1
7	3274-63	Screw - HSBH	2	24	65-6390	Washer - Thrust	1
8	83-0730	Spacer - Lockup	1	25	3290-277	Nut - Speed	6
9	93-2199	Screw - HH	1	26	93-8063	Decal - Warning	1
10	325-4	Screw - HH	2	27	68-5140	Cap - Steering Wheel	1
11	3256-26	Washer - Flat	2	28	32144-21	Screw - Phillips Pan Head	2
12	47-2890	Bushing	2	29	237-79	O-Ring	4
13	3274-39	Screw - HSBH	6	30	93-2272	Hose Assembly	1
14	94-9628	Steering Cover Asm (Incl. Ref. #26)	1	31	93-2252	Hose Assembly	1
15	83-1420	Steering Column Assembly	1	32	93-2269	Hose Assembly	1
16	94-6366	Cover - Steering Valve	1	33	93-2270	Hose Assembly	1
17	340-133	Fitting - Hydraulic (Incl. Ref. #29-30)	2	34	93-2271	Hose Assembly	1
				35	237-21	O-Ring	2
				36	237-42	O-Ring	1



T-2362-1

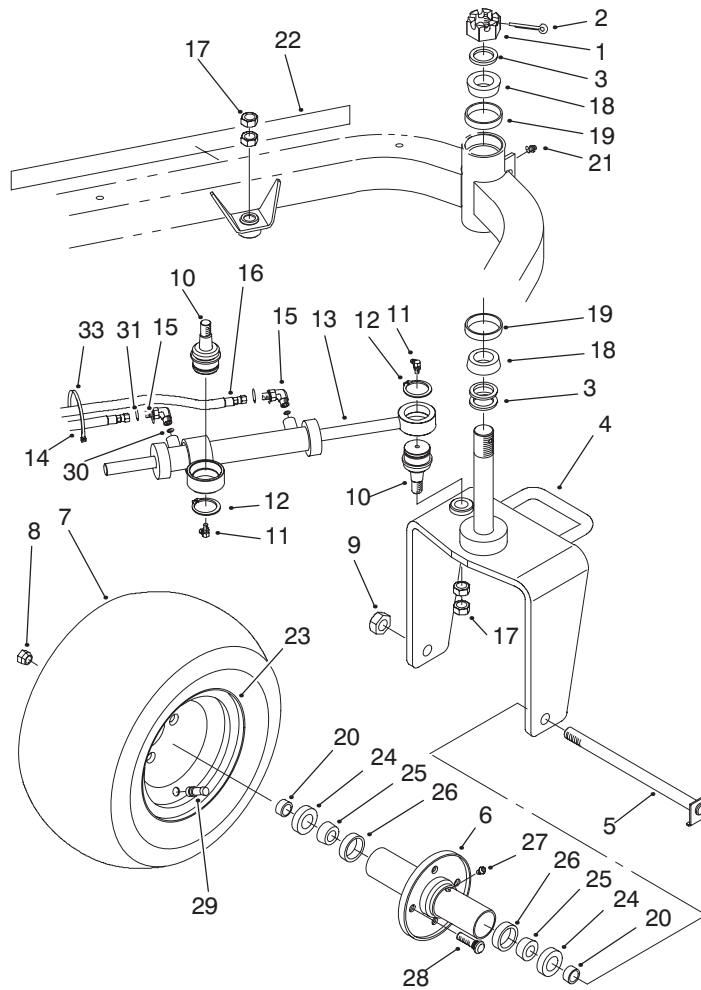
## STEERING CONTROL VALVE NO. 93-2120

Ref. No.	Part No.	Description	No. Used
†1		Ring – Dust Seal	1
†2		O-Ring	1
†3		O-Ring	1
†4		O-Ring	2

Ref. No.	Part No.	Description	No. Used
†5		Washer	7
*	94-4929	Kit – Seal (Incl. Ref. #1-5)	1

PROTOTYPE

† Not Serviced Separately.

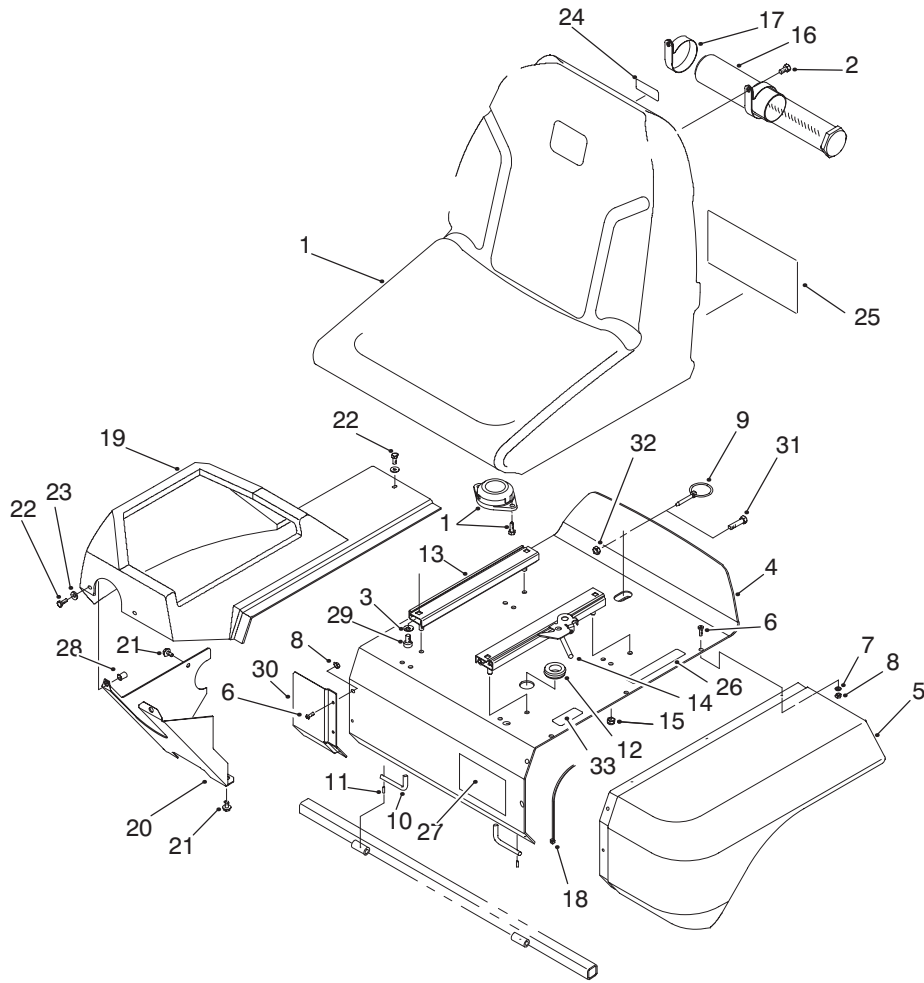


T-2225-1

## REAR WHEEL ASSEMBLY

Ref. No.	Part No.	Description	No. Used	Ref. No.	Part No.	Description	No. Used
1	32136-9	Nut - Hex	1	17	3220-6	Nut - Jam	4
2	3272-37	Pin - Cotter	1	18	254-70	Bearing Cone	2
3	18-6320	Washer - Steering	3	19	254-61	Bearing - Cup	2
4	93-2125	Castor Fork	1	20	74-3730	Spacer - Cylinder	2
5	5-3934	Bolt	1	21	302-5	Fitting - Grease, Str.	1
6	75-9440	Hub - Wheel	1	22	93-2234	Decal - GR3200	2
7	28-3680	Tire	1	23	217-60	Rim	1
8	242-50	Nut - Lug	4	24	253-111	Seal - Shaft	2
9	3296-67	Nut - Lock NI	1	25	254-78	Cone - Bearing	2
10	92-5838	Ball Joint	2	26	254-79	Cup - Bearing	2
11	302-60	Fitting - Grease, 90°	2	27	302-55	Fitting - Grease	1
12	32151-104	Ring - Retaining, Ext.	2	28	10-6830	Stud - Drive	4
13	93-2122	Cylinder Asm - Steering (Incl. Ref. #32)	1	29	232-27	Valve Stem w/Cap	1
14	93-2270	Hose Assembly	1	30	237-78	O-Ring	2
15	340-132	Fitting - Hydraulic	2	31	237-21	O-Ring	2
16	93-2269	Hose Assembly	1	*32	94-4398	Kit - Seal, Repair	1
				33	3290-378	Tie - Cable	1

\*Not Illustrated



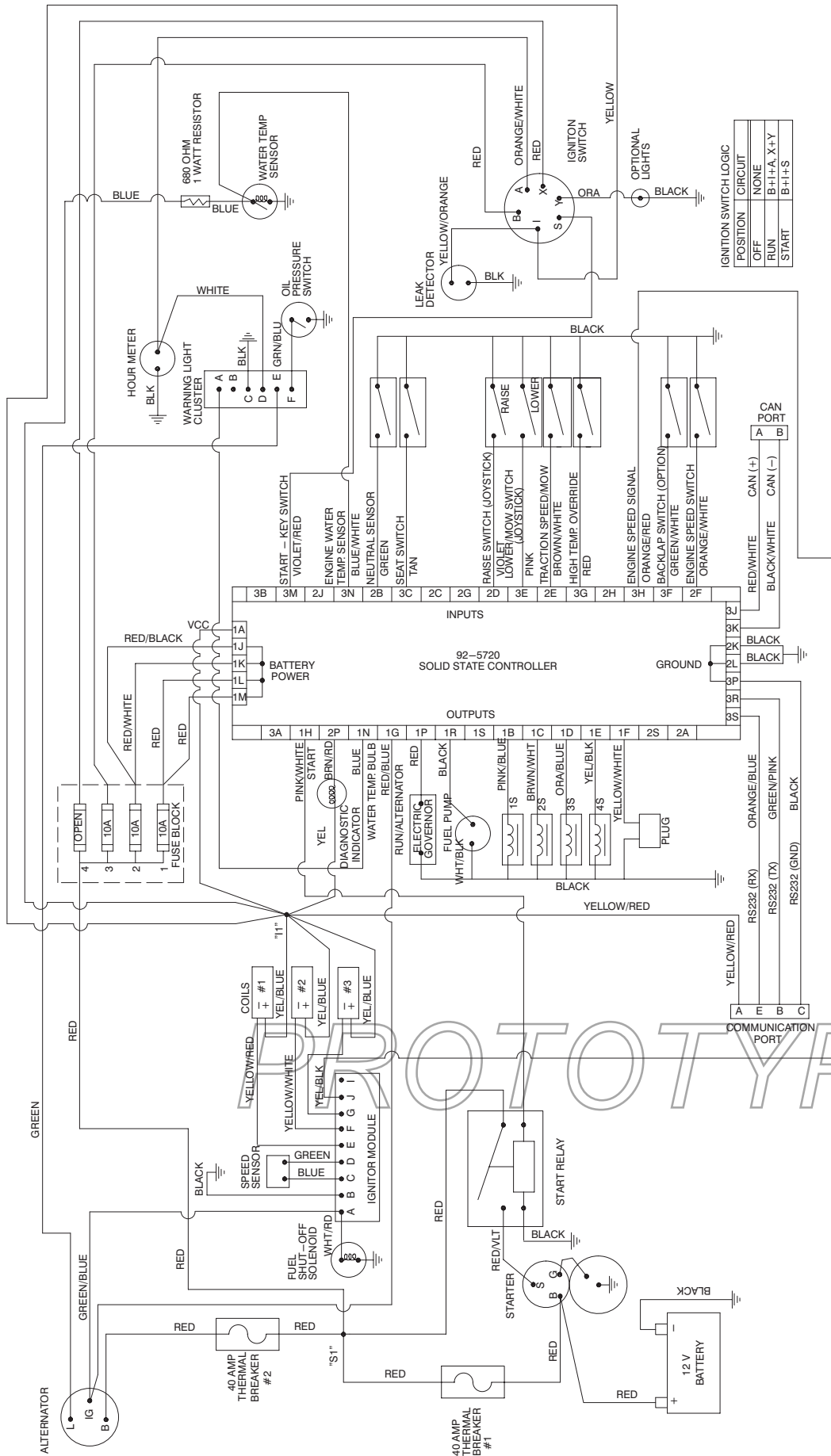
T-2226-3

## SEAT ASSEMBLY

Ref. No.	Part No.	Description	No. Used
1	92-6280	Seat	1
2	322-2	Screw - HH	2
3	3256-23	Washer - Flat	4
4	94-9627	Seat Support Asm (Incl. Ref. #26, 27 & 33)	1
5	93-2128	Panel - Seat Base	1
6	3274-39	Screw - HSBH	9
7	3256-77	Washer - Flat	6
8	3296-12	Nut - Lock	9
9	283-72	Pin - Lynch	1
10	93-2422	Rod - Seat Pivot	2
11	32121-7	Pin - Spring	2
12	237-100	Grommet	1
13	92-8990	Adjuster	1
14	92-8991	Adjuster w/Latch	1
15	3296-29	Nut - Lock	4
16	74-0720	Tube - Manual	1
17	2412-133	Clamp - R	2
18	3290-378	Tie - Cable	1
19	93-2578	Shroud - Console	1
20	94-4547	Panel - Lower	1
21	32144-14	Screw - HH	2
22	33113-016	Screw - HH	3

Ref. No.	Part No.	Description	No. Used
23	3256-1	Washer - Flat	3
24	93-6686	Decal - Hydraulic Oil	1
25	95-0501	Decal - Service	1
25	95-0502	Decal - Service (Danish)	1
25	95-0503	Decal - Service (Dutch)	1
25	95-0504	Decal - Service (Finnish)	1
25	95-0505	Decal - Service (French)	1
25	95-0506	Decal - Service (German)	1
25	95-0507	Decal - Service (Italian)	1
25	95-0508	Decal - Service (Japanese)	1
25	95-0509	Decal - Service (Norwegian)	1
25	95-0510	Decal - Service (Portuguese)	1
25	95-0511	Decal - Service (Spanish)	1
25	95-0512	Decal - Service (Swedish)	1
26	93-6689	Decal - No Rider	1
27	94-2579	Decal - Toro	1
28	93-5447	Insert - Threaded	2
29	3274-12	Screw - HSH	4
30	94-4546	Panel - Extension	1
31	33113-030	Screw - HH (Europe)	1
32	33023-00	Nut - Lock NI (Europe)	1
33	93-7252	Decal - CE Mark	1

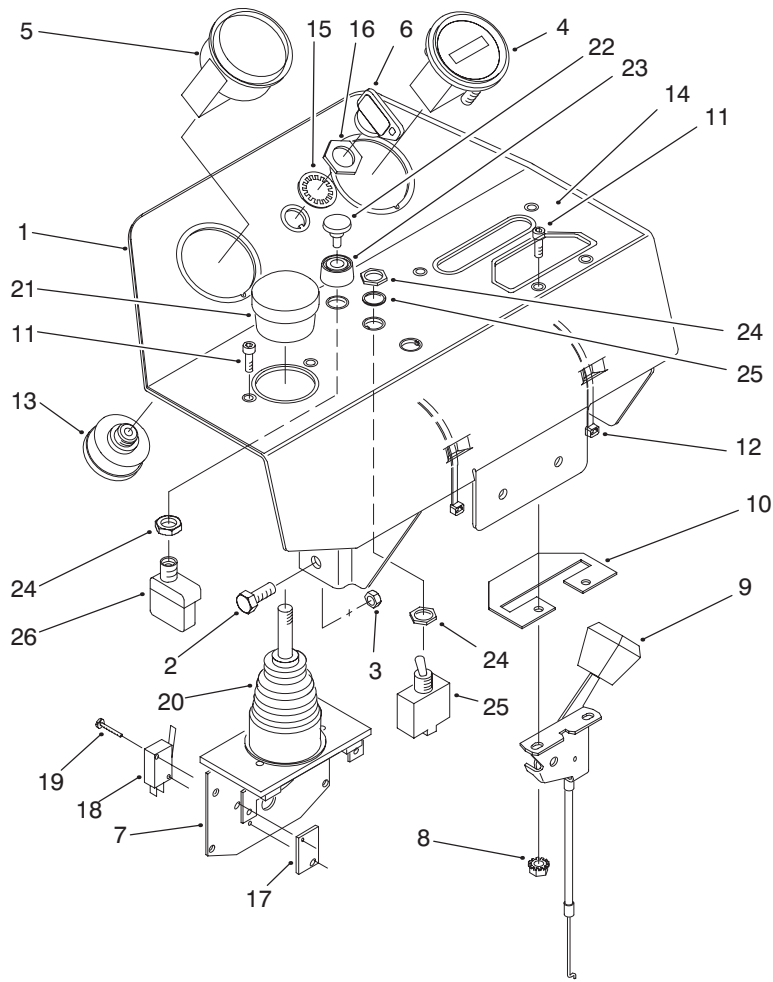
# ELECTRICAL SCHEMATIC



IGNITION SWITCH LOGIC	
POSITION	CIRCUIT
OFF	NONE
RUN	B+H+A X+Y
START	B+H+S

CAN PORT	
A	B
RED/WHITE	CAN (+)
BLACK/WHITE	CAN (-)

COMMUNICATION PORT			
A	E	B	C
RS232 (RX)	ORANGE/BLUE		
RS232 (TX)	GREEN/PINK		
RS232 (GND)	BLACK		

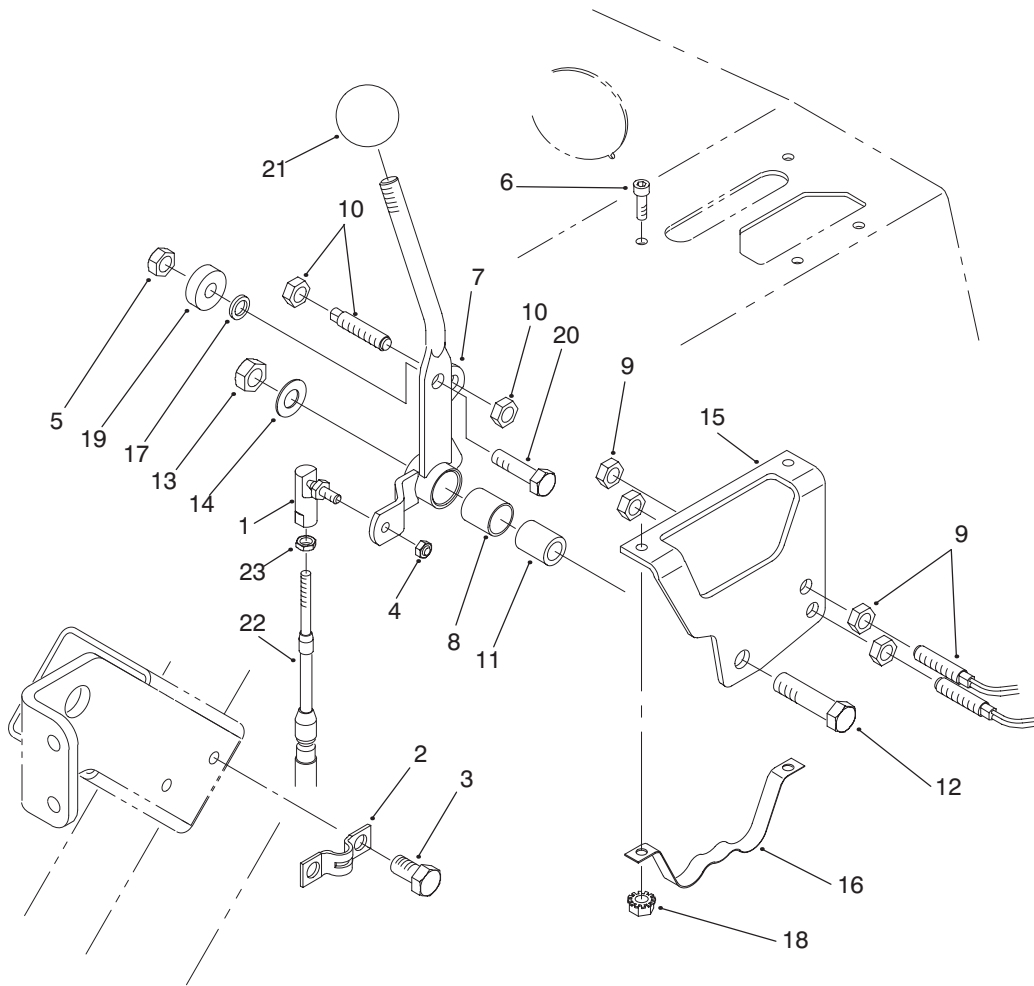


T-2235-1

## CONTROL PANEL ASSEMBLY

Ref. No.	Part No.	Description	No. Used
1	94-6953	Console	1
2	33114-020	Screw - HH	4
3	33024-00	Nut - Lock NI	4
4	66-2950	Gauge - Hour Meter	1
5	93-7053	Warning Light Cluster	1
6	63-8360	Key - Ignition	2
7	75-3420	Lever - Control (Incl. Ref. #17-21)	1
8	32149-8	Nut - Keps	2
9	93-2329	Control - Choke	1
10	85-9190	Plate - Control	1
11	3273-26	Screw - HSH	4
12	3290-378	Tie - Cable	2
13	27-2360	Switch - Ignition (Incl. Ref. #15-16)	1
14	93-2232	Decal - Console	1

Ref. No.	Part No.	Description	No. Used
15	218-446	Washer - Lock	1
16	218-447	Nut - Hex.	1
17	3290-354	Plate - Nut	2
18	218-590	Switch - Micro	2
19	3290-93	Screw - HH	4
20	3290-488	Boot - Control, Lift	1
21	3290-489	Knob - Control, Lift	1
22	43-6280	Button - Push	1
23	43-6420	Bezel	1
24	218-498	Nut - Lock	3
25	218-589	Washer - Lock	1
26	75-1010	Switch (Incl. Ref. #24 & 25)	1
27	72-9760	Switch - Override (Incl. Ref. #24)	1



T-2265-1

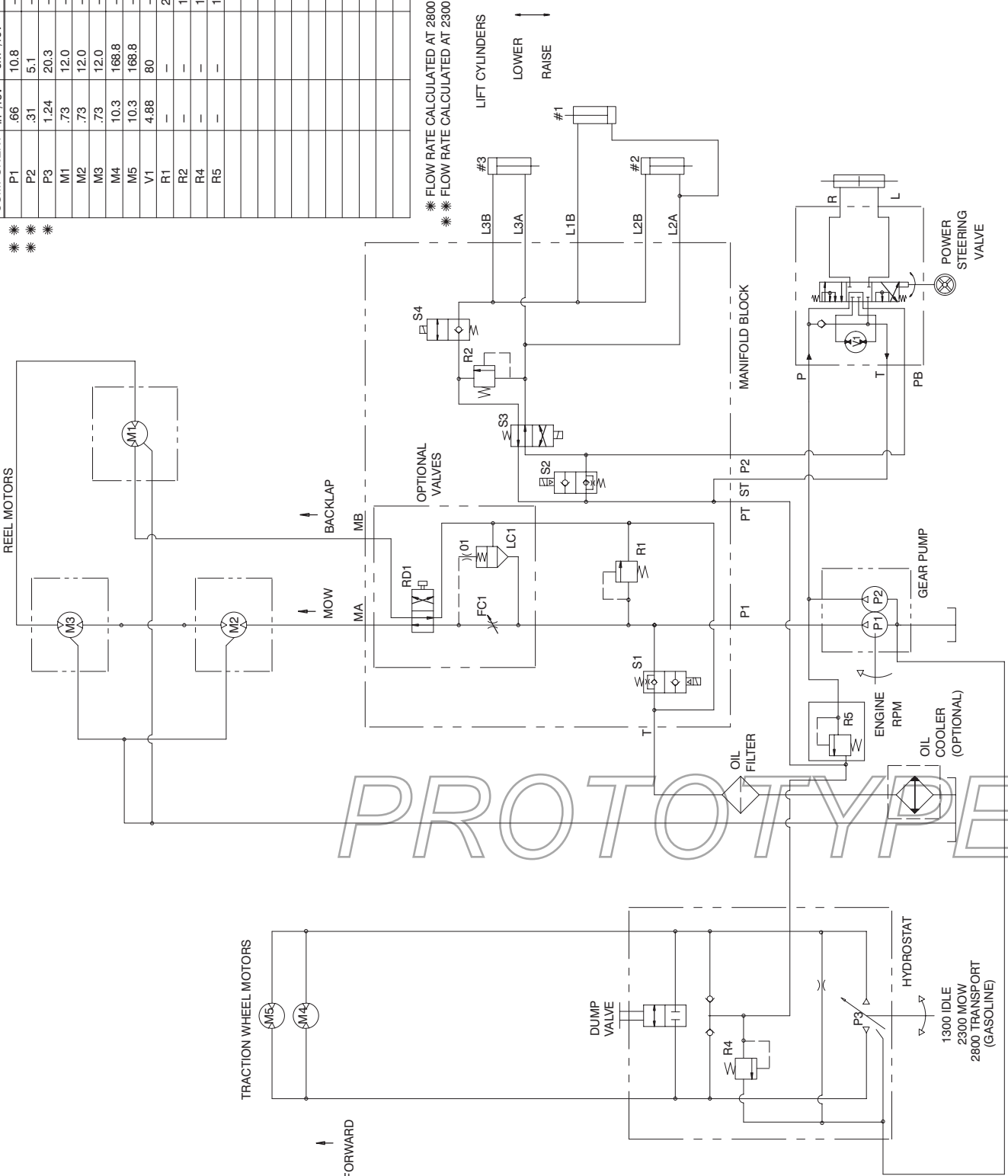
## TRACTION HANDLE ASSEMBLY

Ref. No.	Part No.	Description	No. Used	Ref. No.	Part No.	Description	No. Used
1	2411-38	Ball Joint	1	13	33025-00	Nut - Lock NI	1
2	93-2279	Clamp - Cable	1	14	3256-24	Washer - Flat	1
3	33113-008	Screw - HH	2	15	93-2058	Bracket - Traction	1
4	3296-27	Nut - Lock	1	16	93-2064	Spring - Detent	1
5	33024-00	Nut - Lock NI	1	17	75-5470	Spacer	1
6	3273-26	Screw - HSH	2	18	32149-8	Nut - Keps	2
7	94-1353	Handle	1	19	251-259	Bearing - Ball	1
8	256-311	Bushing - Straight	1	20	33114-030	Screw - HH	1
9	93-2055	Reed Switch - Sensor	2	21	233-42	Knob	1
10	93-2056	Reed Switch - Actuator	1	22	94-1304	Cable - Neutral Lock (Incl. Ref. #23)	1
11	94-1378	Tube - Handle Pivot	1	23	3219-14	Nut - Jam	1
12	33115-040	Screw - HH	1				

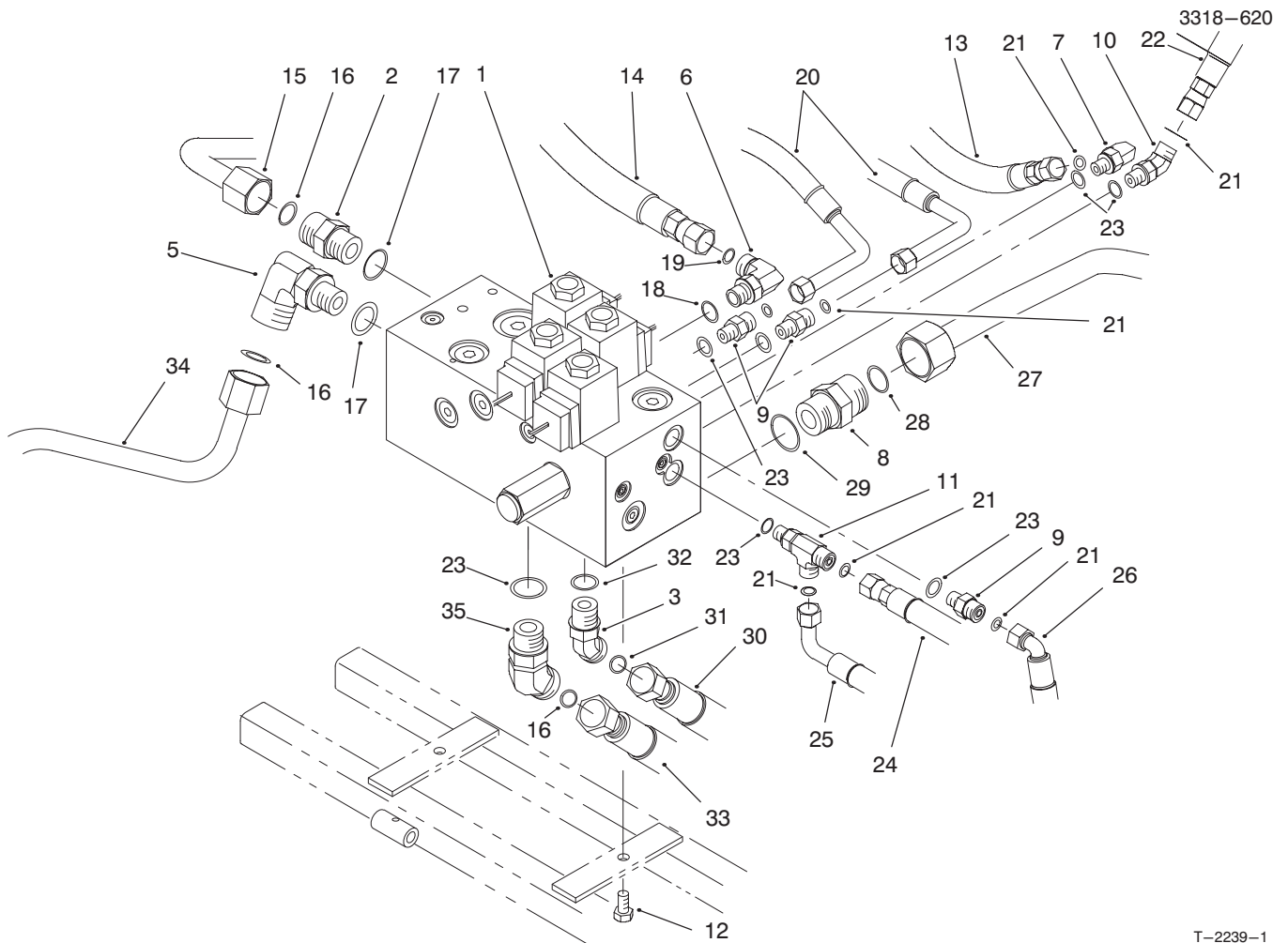
# HYDRAULIC SCHEMATIC

DISPLACEMENT, FLOW RATE, AND PRESSURE CHART

COMPONENT	DISPLACEMENT		PRESSURE		FLOW RATE	
	in <sup>3</sup> /rev	cm <sup>3</sup> /rev	lbs/in <sup>2</sup>	BARS	GPM	LPM
P1	.66	10.8	-	-	6.4	24.2
P2	.31	5.1	-	-	3.0	11.4
P3	1.24	20.3	-	-	14.8	55.8
M1	.73	12.0	-	-	-	-
M2	.73	12.0	-	-	-	-
M3	.73	12.0	-	-	-	-
M4	10.3	168.8	-	-	-	-
M5	10.3	168.8	-	-	-	-
V1	4.88	80	-	-	-	-
R1	-	-	2400	166	-	-
R2	-	-	150	10	-	-
R4	-	-	100	7	-	-
R5	-	-	1000	69	-	-



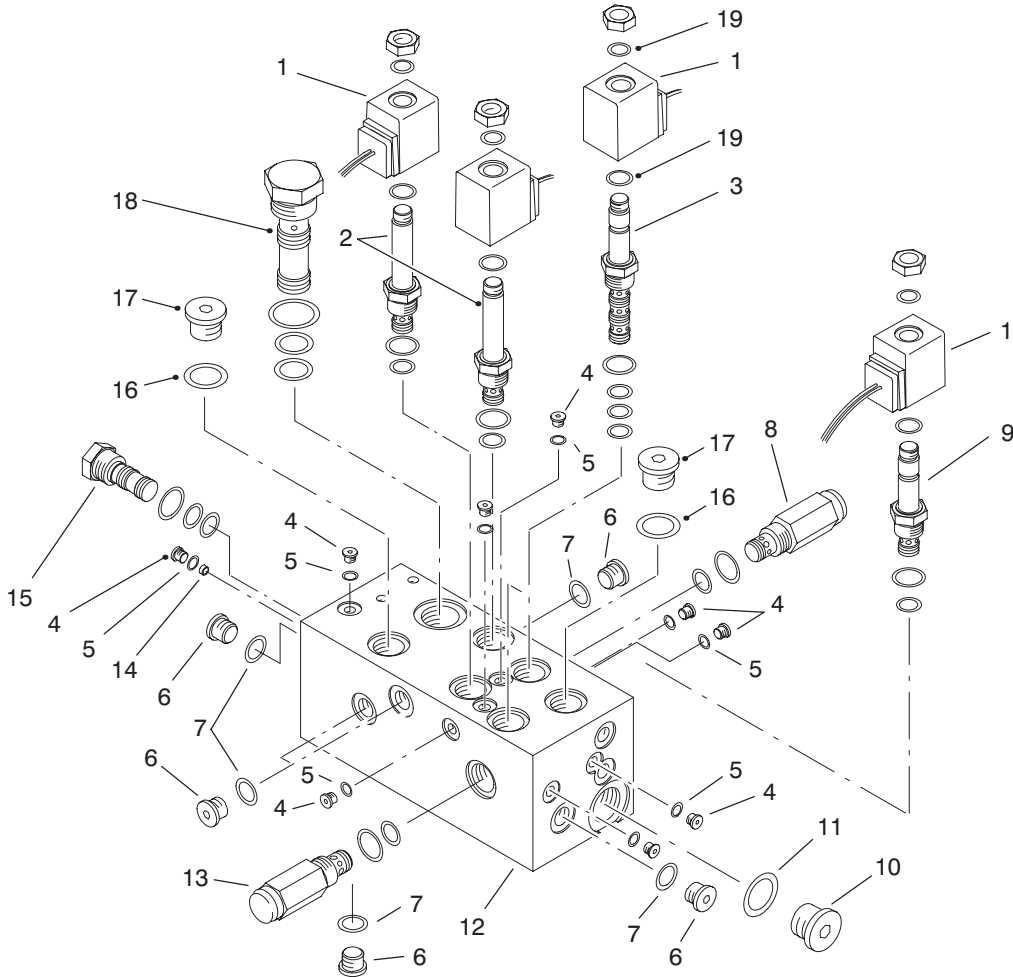
PROTOTYPE



T-2239-1

## MANIFOLD INSTALLATION ASSEMBLY

Ref. No.	Part No.	Description	No. Used	Ref. No.	Part No.	Description	No. Used
1	93-2240	Manifold Assembly	1	15	94-1317	Tube - Hydraulic	1
2	340-7	Fitting - Hydraulic (Incl. Ref. #16-17)	1	16	237-65	O-Ring	3
3	340-138	Fitting - Hydraulic 45° (Incl. Ref. #31-32)	1	17	237-80	O-Ring	2
5	340-17	Fitting - Hydraulic 90° (Incl. Ref. #16-17)	1	18	237-42	O-Ring	1
6	340-77	Fitting - Hydraulic 90° (Incl. Ref. #18-19)	1	19	237-22	O-Ring	1
7	340-132	Fitting - Hydraulic 90° (Incl. Ref. #21 & 23)	1	20	93-2254	Tube - Hydraulic	2
8	340-9	Fitting - Hydraulic (Incl. Ref. #28-29)	1	21	237-21	O-Ring	7
9	340-92	Fitting - Hydraulic (Incl. Ref. #21 & 23)	3	22	94-3477	Hose Assembly	1
10	340-103	Fitting - Hydraulic 45° (Incl. Ref. #21 & 23)	1	23	237-78	O-Ring	7
11	340-140	Tee - Hydraulic (Incl. Ref. #21 & 23)	1	24	93-2258	Hose Assembly	1
12	33114-016	Screw - HH	2	25	93-2256	Hose Assembly	1
13	93-2271	Hose Assembly	1	26	93-2255	Hose Assembly	1
14	93-2272	Hose Assembly	1	27	94-4518	Tube - Hydraulic	1
				28	237-58	O-Ring	1
				29	237-81	O-Ring	1
				30	94-1331	Hose Assembly	1
				31	237-30	O-Ring	1
				32	237-79	O-Ring	1
				33	94-1332	Hose Assembly	1
				34	94-1320	Tube - Hydraulic	1
				35	340-14	Fitting - Hydraulic (Incl. Ref. #16 & 23)	1



T-2251-1

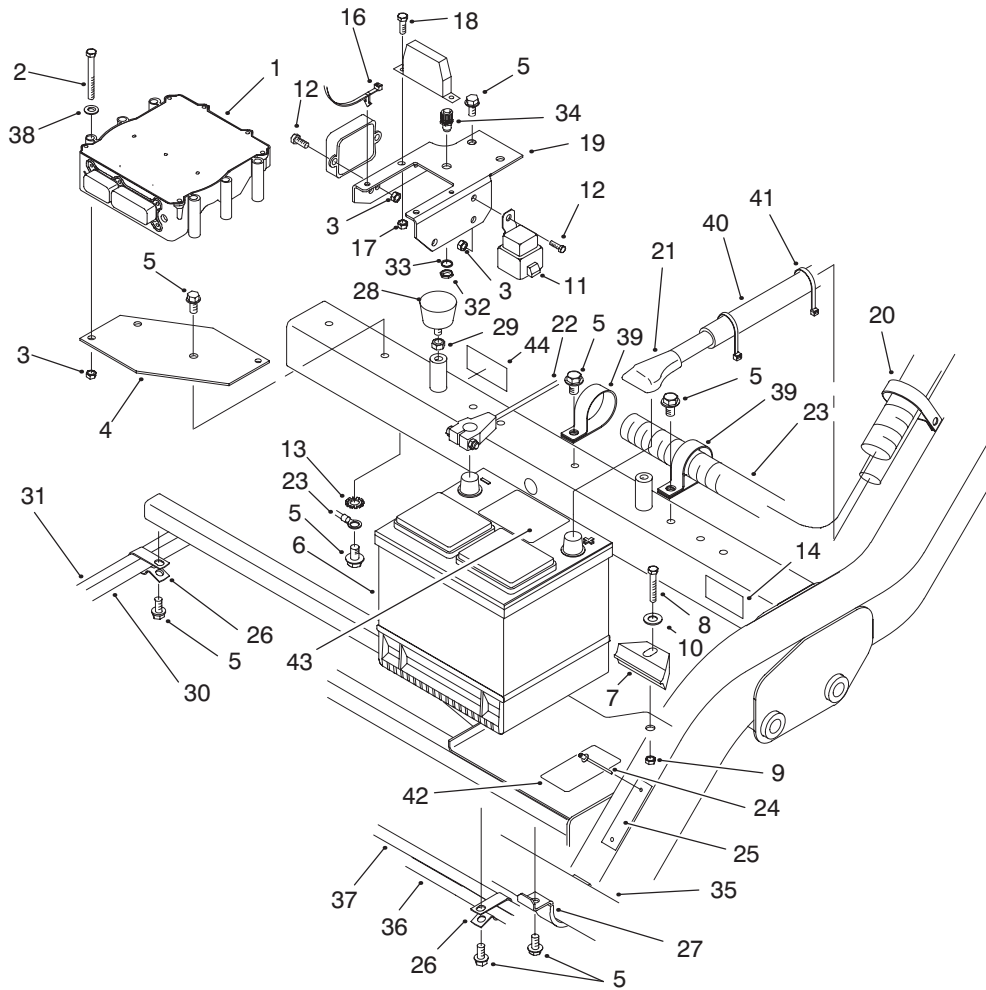
## MANIFOLD ASSEMBLY NO. 93-2240

Ref. No.	Part No.	Description	No. Used
1	88-9190	Solenoid - 20 Watt	4
2	93-7494	Cartridge - N.O. Poppet (Use Seal Kit #75-2080)	2
3	94-2627	Cartridge (Use Seal Kit #75-2090)	1
4	353-991	Plug (Incl. Ref. #5)	9
5	237-156	O-Ring	9
6	353-989	Plug (Incl. Ref. #7)	6
7	237-42	O-Ring	6
8	75-2010	Cartridge - Relief 2000 psi (Use Seal Kit #75-2080)	1
9	92-6315	Cartridge - N.C. (Use Seal Kit #75-2080)	1
10	353-988	Plug (Incl. Ref. #11)	1
11	237-79	O-Ring	1

Ref. No.	Part No.	Description	No. Used
†12		Body - Manifold	1
13	94-6351	Cartridge - Relief 150 psi (Use Seal Kit #75-2080)	1
14	94-6354	Plug - Orifice	1
15	94-6353	Cartridge Valve Assembly (use Seal Kit #69-4240)	1
16	237-80	O-Ring	2
17	354-70	Plug (Incl. Ref. #16)	2
18	94-6352	Plug - Cavity (Use Seal Kit #94-3661)	1
19	94-5438	Seal - Solenoid	8
*	75-2080	Seal Kit	5
*	69-4240	Seal Kit	1
*	75-2090	Seal Kit	1
*	94-3661	Seal Kit	1

\*Not Illustrated

†Not Serviced Separately



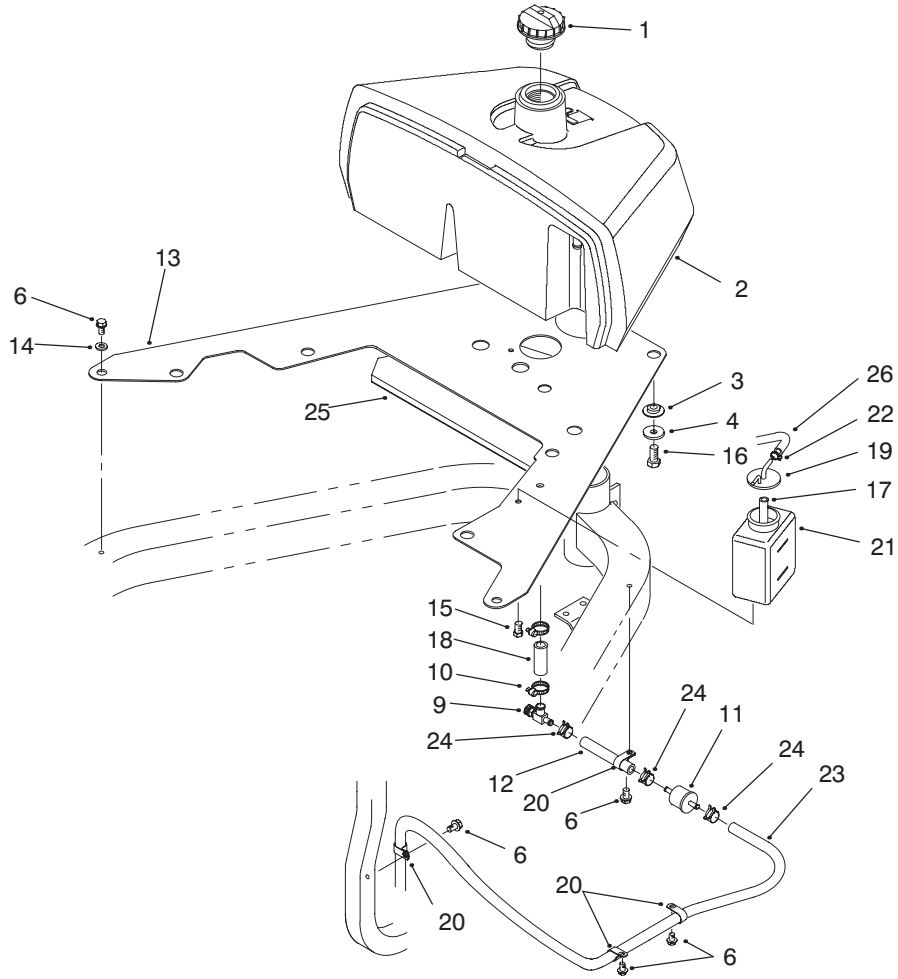
T-2238-2

## BATTERY & CONTROLLER ASSEMBLY

Ref. No.	Part No.	Description	No. Used	Ref. No.	Part No.	Description	No. Used
1	92-5720	Controller – Electronic Note: This part must be programmed with Part No. 94-7342 by distributor before installation.	1	22	93-2344	Cable – Battery, Negative	1
2	33113-070	Screw – HH	2	23	93-2349	Wire Harness (Incl. Ref. #32-34)	1
3	33023-00	Nut – Lock NI	5	24	3290-415	Rivet – Pop	2
4	93-2089	Bracket – Controller	1	†25		Serial Plate	1
5	32144-14	Screw – HH	13	26	92-5753	Clamp – Hose, Double	2
6	66-2750	Battery	1	27	93-2036	Clamp – Air Hose	1
7	66-2490	Retainer – Battery	1	28	68-3270	Bumper – Rubber	2
8	33115-040	Screw – HH	1	29	3218-2	Nut – Jam	2
9	33025-00	Nut – Lock NI	1	30	93-2269	Hose Assembly	1
10	3256-24	Washer – Flat	1	31	93-2270	Hose Assembly	1
11	70-1480	Relay	1	†32		Nut – Lock	1
12	33113-016	Screw – HH	3	†33		Washer – Lock	1
13	3254-2	Washer – Lock	1	34	85-4491	Lamp – Diagnostic	1
†14		Decal – ANSI	1	35	93-2035	Hose – Air Cleaner	1
16	94-1325	Push Mount Tie	2	36	93-2255	Hose Assembly	1
17	3296-2	Nut – Lock	2	37	93-2256	Hose Assembly	1
18	32105-13	Screw – HH	2	38	3256-22	Washer – Flat	2
19	93-2123	Bracket – Fuse Block	1	39	2412-39	Clamp – R	2
20	2412-104	Clamp – R	3	40	94-4519	Tube – Convolved	1
21	93-2343	Cable – Battery, Positive	1	41	3290-378	Tie – Cable	2
				42	93-6668	Decal – Battery	1
				43	93-7276	Decal – Danger	1
				†44	74562-87801	Decal – Emissions	1

†Not Serviced Separately

‡Obtain replacement parts from your local Briggs & Stratton Dealer.

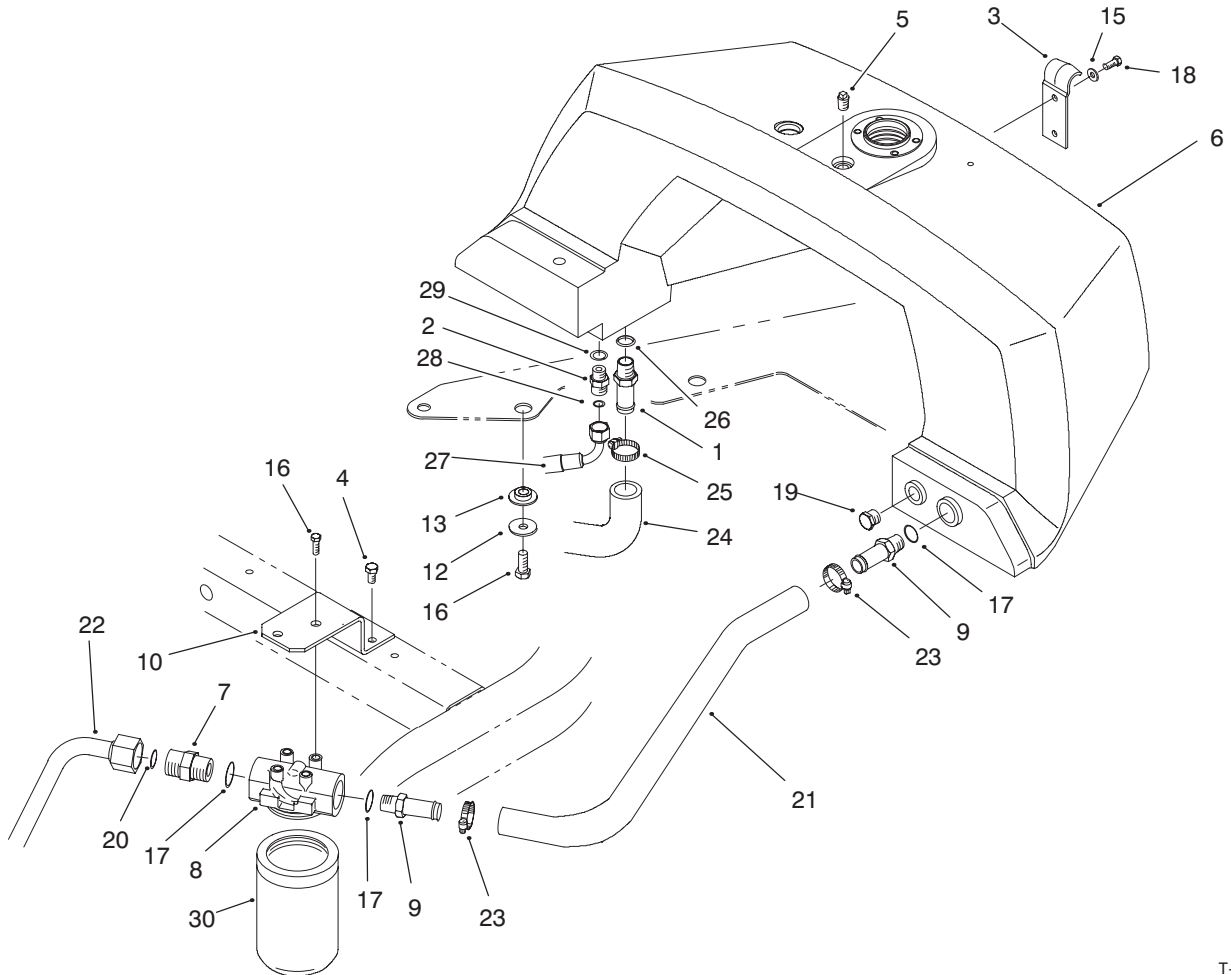


T-2232-3

## FUEL SYSTEM ASSEMBLY

Ref. No.	Part No.	Description	No. Used
1	93-3101	Cap - Fuel	1
2	93-2224	Tank - Fuel, Gasoline	1
3	240-11	Grommet	3
4	93-4637	Washer - Flat	3
6	32144-14	Screw - HH	7
9	83-1390	Fitting - Fuel Shutoff	1
10	2412-36	Clamp - Hose	2
11	94-2690	Filter - Fuel	1
12	93-2227	Hose - Fuel	1
13	94-1364	Plate	1
14	3256-23	Washer - Flat	2
15	33114-016	Screw - HH	2

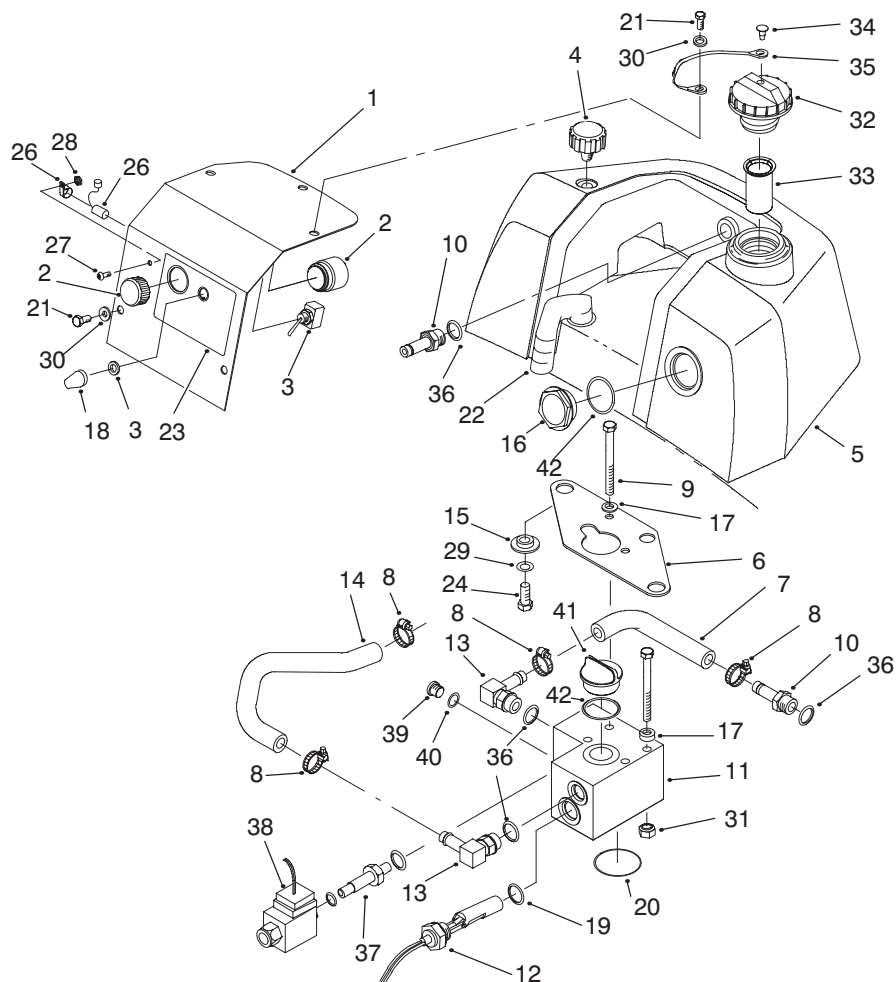
Ref. No.	Part No.	Description	No. Used
16	33115-020	Screw - HH	3
17	94-1348	Hose - Tank, Recovery	1
18	94-4353	Hose - Fuel	1
19	93-2048	Cap - Overflow Tank	1
20	2412-41	Clamp - R	4
21	93-2049	Tank - Overflow	1
22	2412-108	Clamp - Hose	1
23	93-2228	Hose - Fuel	1
24	2412-98	Clamp - Hose	3
25	94-3474	Pad - Thermal	1
26	93-2260	Hose - Expansion Tank	1



T-2233-2

## HYDRAULIC RESERVOIR ASSEMBLY

Ref. No.	Part No.	Description	No. Used	Ref. No.	Part No.	Description	No. Used
1	354-78	Fitting - Barb (Incl. Ref. #26)	1	15	3256-1	Washer - Flat	2
2	340-2	Fitting - Hydraulic (Incl. Ref. #28-29)	1	16	33115-020	Screw - HH	6
3	93-2438	Clamp - Fuel Tank	1	17	237-81	O-Ring	3
4	32144-14	Screw - HH	2	18	33113-016	Screw - HH	2
5	281-10	Plug - Pipe	1	19	353-988	Plug	1
6	93-2235	Tank - Hydraulic	1	20	237-58	O-Ring	1
7	340-9	Fitting - Hydraulic (Incl. Ref. #17 & 20)	1	21	94-9607	Hose - Formed	1
8	93-2242	Filter Assembly - Oil (Incl. Ref. #30)	1	22	94-4518	Tube - Hydraulic	1
9	354-73	Fitting - Hydraulic (Incl. Ref. #17)	2	23	2412-129	Clamp - Hose	2
10	93-2236	Mount - Oil Filter	1	24	93-2068	Hose - Pump Inlet	1
12	93-4637	Washer - Flat	4	25	2412-34	Clamp - Hose	1
13	240-11	Grommet	4	26	237-146	O-Ring	1
				27	94-4539	Hose Assembly	1
				28	237-22	O-Ring	1
				29	237-42	O-Ring	1
				30	75-1310	Element	1

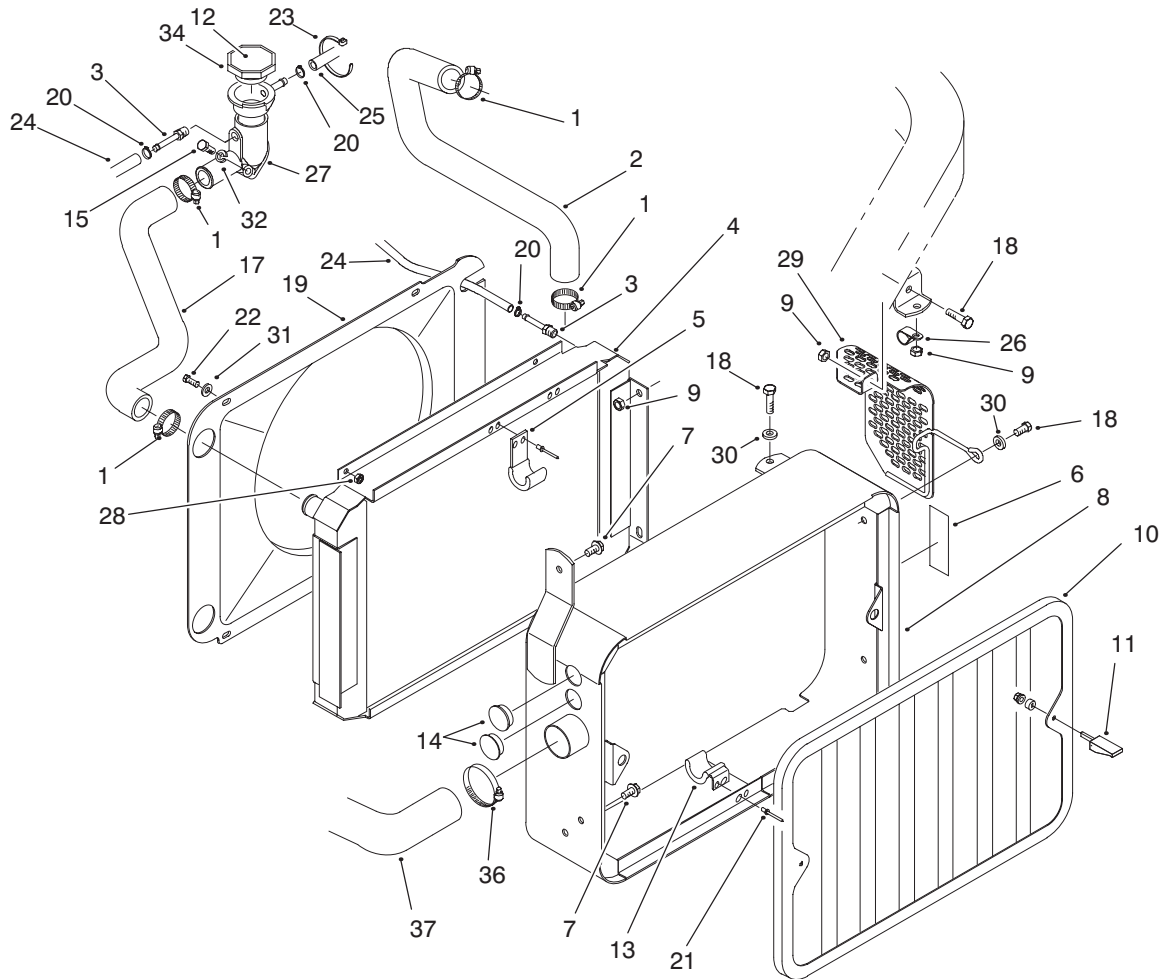


T-2234-3

## LEAK DETECTOR ASSEMBLY

Ref. No.	Part No.	Description	No. Used	Ref. No.	Part No.	Description	No. Used
1	93-2435	Plate - Cover	1	21	33113-016	Screw - HH	5
2	80-9330	Alarm - Audio	1	22	94-1350	Harness - Leak Detector	1
3	20-7150	Switch - Toggle	1	23	93-2436	Decal - Leak Detector	1
4	68-6150	Breather - Air	1	24	33115-020	Screw - HH	2
5	93-2429	Tank - Leak Detection	1	26	83-2280	Timer - Delay	1
6	94-8165	Plate - Mounting	1	27	3274-39	Screw - HSBH	1
7	93-2434	Hose - Formed, Outlet	1	28	3296-12	Nut - Lock	1
8	2412-36	Clamp - Hose	4	29	93-4637	Washer - Flat	2
9	33114-090	Screw - HH	4	30	3256-1	Washer - Flat	5
10	354-121	Fitting - Barb (Incl. Ref. #36)	2	31	33024-00	Nut - Lock NI	4
11	93-2430	Valve Assembly (Incl. Ref. #37-42)	1	32	93-7160	Cap - Hydraulic Oil (Incl. Ref. #34-35)	1
12	83-1450	Sensor - Oil Level	1	33	93-2275	Screen - Filler	1
13	354-120	Fitting - Barb (Incl. Ref. #36)	2	†34		Plug	1
14	93-2433	Hose - Formed, Inlet	1	†35		Tether	1
15	240-11	Grommet	2	36	237-79	O-Ring	4
16	83-2250	Guage - Sight	1	†37		Spool - Valve	1
17	3256-23	Washer - Flat	2	†38		Coil - Valve	1
18	218-473	Boot - Toggle Switch	1	39	353-990	Plug (Incl. Ref. #40)	1
19	237-80	O-Ring	1	40	237-78	O-Ring	1
20	94-9649	O-Ring	1	41	93-7498	Plug - Plastic	1
				42	94-8166	O-Ring	2
				43	73-3540	Washer - Flat	2

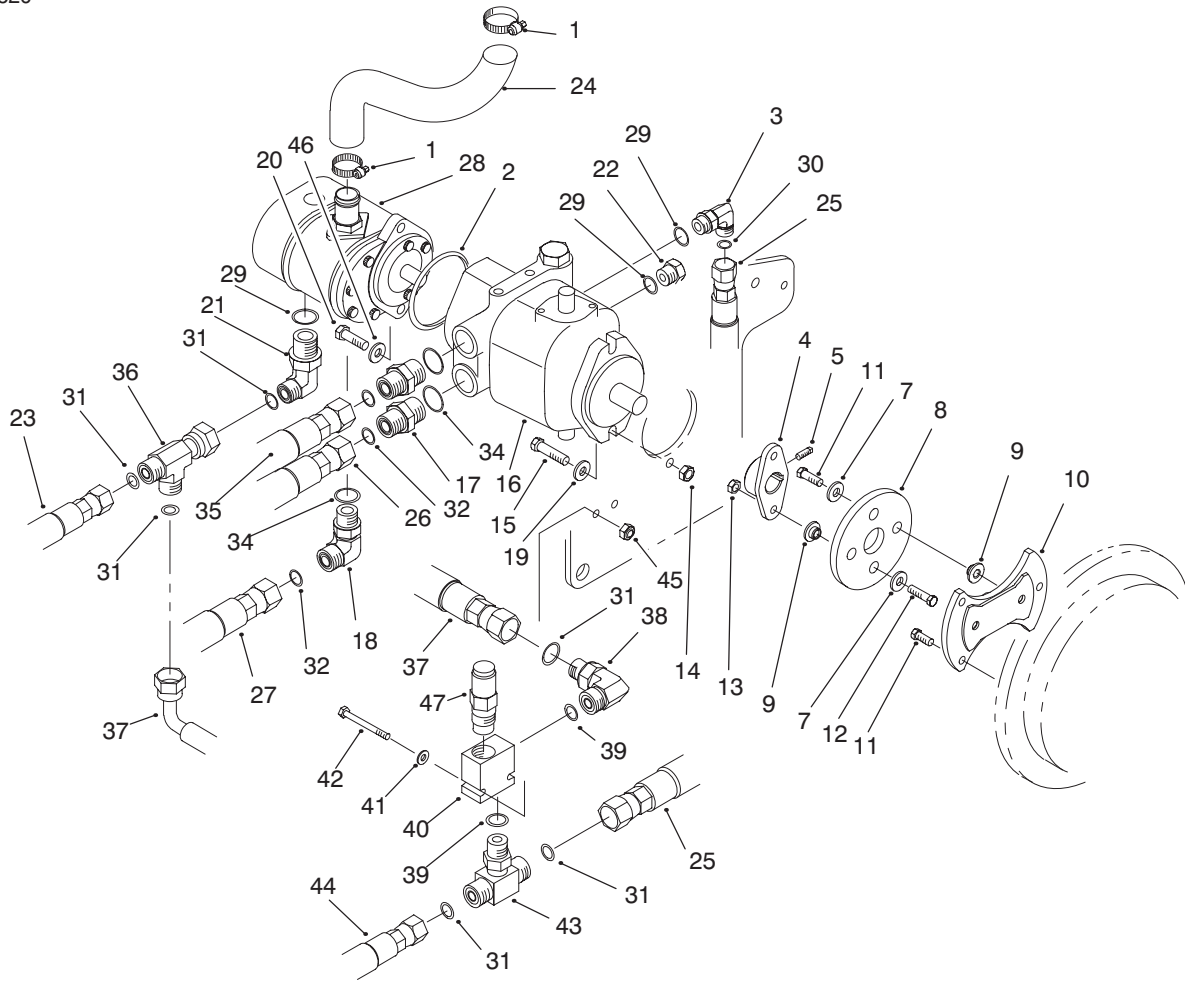
† Not Serviced Separately.



T-2229-3

## RADIATOR ASSEMBLY

Ref. No.	Part No.	Description	No. Used	Ref. No.	Part No.	Description	No. Used
1	2412-34	Clamp - Hose	4	19	93-2320	Shroud - Fan	1
2	94-9608	Hose - Radiator	1	20	2412-108	Clamp - Hose	3
3	304-73	Fitting - Hose Barb	2	21	3269-15	Rivet - Pop	8
4	93-2300	Radiator	1	22	33113-016	Screw - HH	4
5	93-2425	Bracket - Cooler, Upper	2	23	3290-378	Tie - Cable	1
6	93-6681	Decal - Warning, Fan	1	24	94-4522	Hose - Breather	1
7	32144-14	Screw - HH	2	25	93-2260	Hose - Expansion Tank	1
8	94-9623	Radiator Support Asm. (Incl. Ref. #6)	1	26	2412-41	Clamp - R	1
9	33024-00	Nut - Lock NI	6	27	93-2448	Housing - Thermostat	1
10	93-2050	Screen	1	28	33023-00	Nut - Lock NI	4
11	74-5950	Latch - Swell	2	29	94-6370	Alternator Guard Assembly	1
12	93-7840	Decal - Radiator Cap	1	30	3256-23	Washer	2
13	93-2424	Bracket - Cooler, Lower	2	31	3256-22	Washer - Flat	4
14	94-4528	Plug	2	32	3253-3	Washer - Spring Lock	2
15	33113-025	Screw - HH	2	34	66-3240	Cap - Radiator	1
17	93-2018	Hose - Radiator	1	36	2412-92	Clamp - Hose	1
18	33114-020	Screw - HH	6	37	93-2035	Hose - Air Cleaner	1

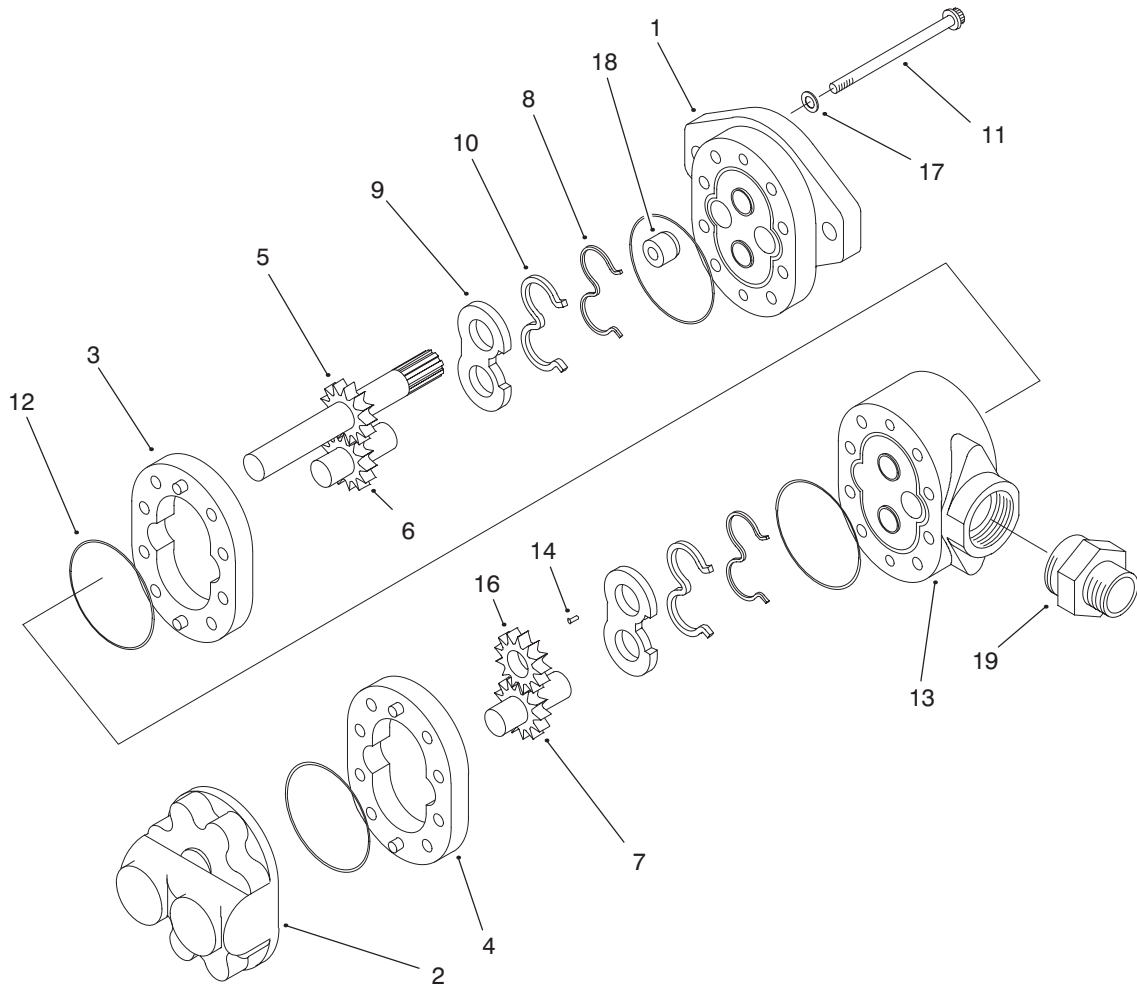


T-2227-3

## HYDRAULIC PUMP & HYDROSTAT ASSEMBLY

Ref. No.	Part No.	Description	No. Used
1	2412-34	Clamp - Hose	2
2	60-3520	O-Ring	1
3	340-98	Fitting - Hydraulic 90° (Incl. Ref. #29-30)	1
4	93-2589	Hub - Pump	1
5	3241-6	Screw - SQH	2
7	3256-3	Washer - Flat	4
8	80-8650	Coupling - Rubber	1
9	27-6600	Spacer - Coupling	4
10	93-2220	Pump Adapter	1
11	33114-020	Screw - HH	5
12	33114-030	Screw - HH	2
13	33024-00	Nut - Lock NI	2
14	33025-00	Nut - Lock NI	2
15	33115-040	Screw - HH	2
16	93-2586	Hydrostat	1
17	340-8	Fitting - Hydraulic (Incl. Ref. #32 & 34)	2
18	340-139	Fitting - Hydraulic 90° (Incl. Ref. #32 & 34)	1
19	3256-24	Washer - Flat	4
20	3274-1	Screw - HH	2
21	340-18	Fitting - Hydraulic (Incl. Ref. #29 & 31)	1
22	353-988	Plug (Incl. Ref. #29)	1

Ref. No.	Part No.	Description	No. Used
23	93-2252	Hose Assembly	1
24	94-8174	Hose - Pump Inlet	1
25	94-6384	Hose Assembly	1
26	94-5355	Hose Assembly	1
27	94-1332	Hose Assembly	1
28	94-6391	Gear Pump - 2 Section	1
29	237-79	O-Ring	3
30	237-30	O-Ring	1
31	237-22	O-Ring	6
32	237-65	O-Ring	3
34	237-81	O-Ring	3
35	94-5356	Hose Assembly	1
36	340-115	Fitting - Tee	1
37	94-8167	Hose Assembly	1
38	340-77	Fitting - Hydraulic (Incl. Ref. #31 & 39)	1
39	237-42	O-Ring	2
40	94-6385	Valve - Relief (Incl. Ref. #47)	1
41	3256-22	Washer - Flat	2
42	33113-050	Screw - HH	2
43	340-94	Fitting - Tee	1
44	94-6383	Hose Assembly	1
45	33023-00	Nut - Lock	2
46	3256-24	Washer - Flat	2
47	94-6386	Cartridge - Relief Valve	1



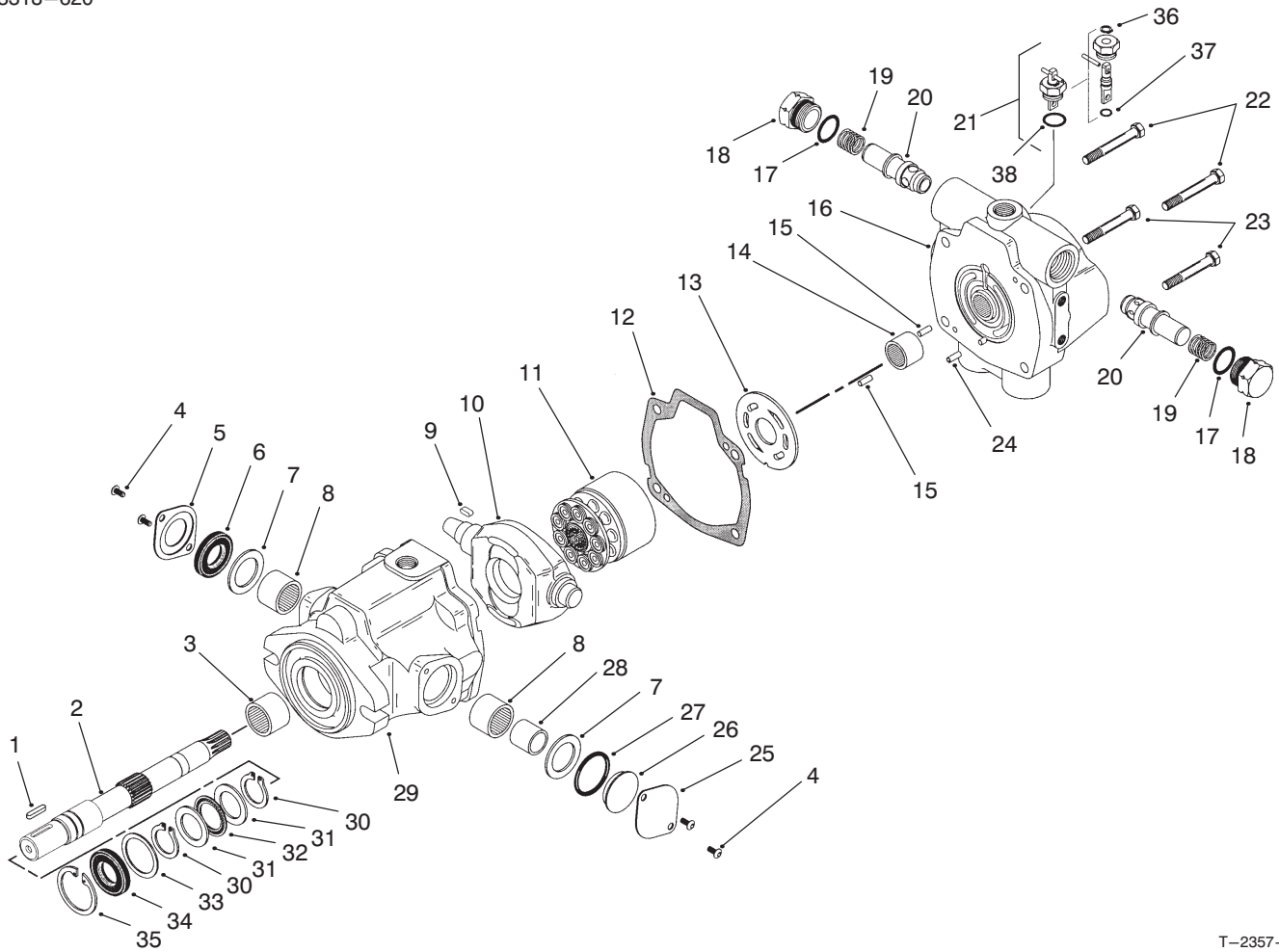
T-2392-1

## GEAR PUMP ASSEMBLY NO. 94-6391

Ref. No.	Part No.	Description	No. Used	Ref. No.	Part No.	Description	No. Used
†1		Plate – Front	1	†12		O-Ring	4
†2		Plate – Back	1	†13		Plate – Adapter	1
†3		Body	1	†14		Key	1
†4		Body	1	†15		Tube	1
†5		Gear – Drive	1	†16		Gear	1
†6		Gear – Idler	1	17	94-8160	Washer	4
†7		Gear – Idler	1	18	94-3011	Plug	1
†8		Gasket – Backup	2	†19		Fitting – Suction	1
†9		Plate – Wear	2	*	94-8161	Kit – Seal Repair (Incl. Ref. #8-10 & 14)	1
†10		Seal – Pressure	2				
11	94-8158	Screw – Cap	8				

† Not Serviced Separately.

\* Not Illustrated.



T-2357-1

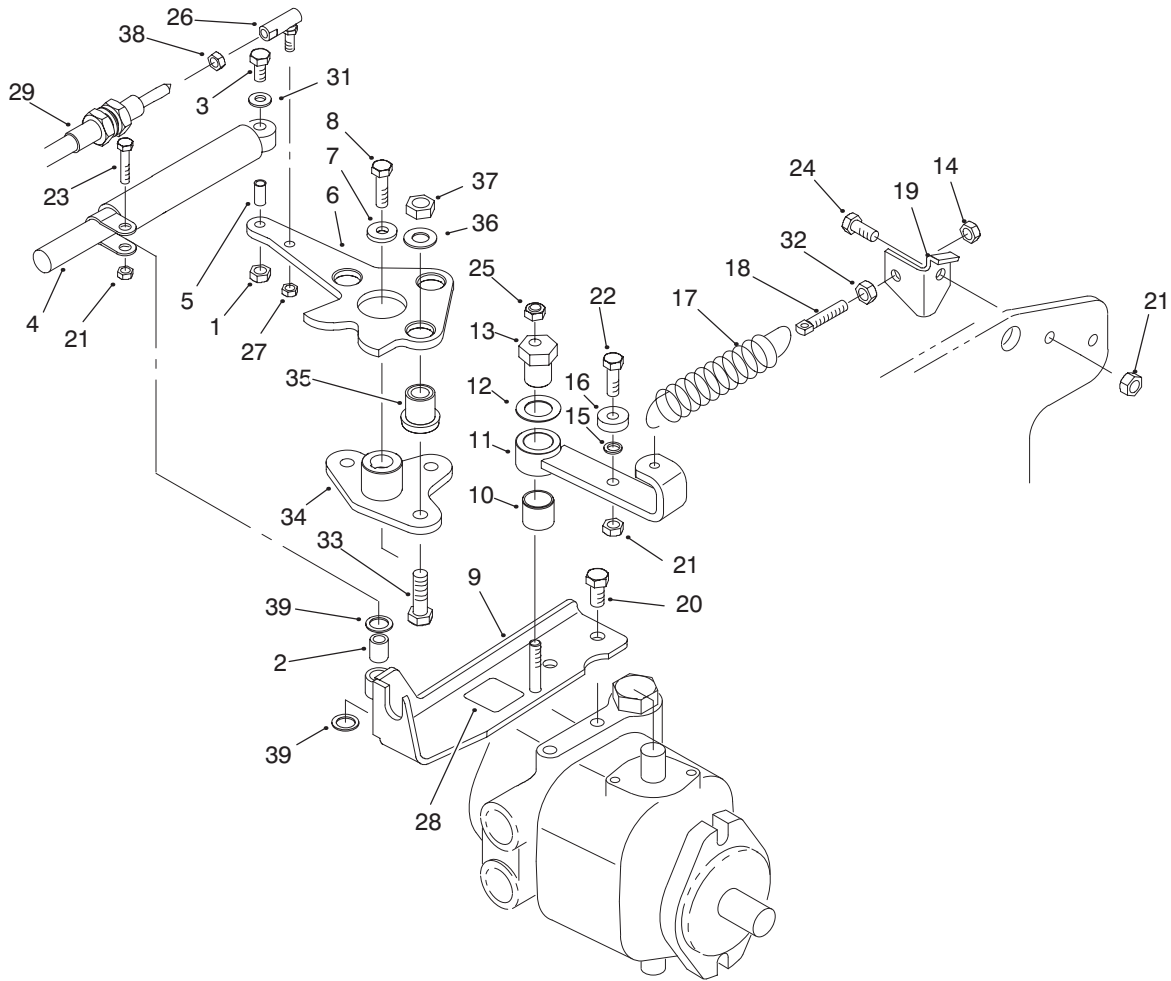
## HYDROSTAT ASSEMBLY NO. 93-2586

Ref. No.	Part No.	Description	No. Used
1	94-3645	Key	1
2	94-6359	Shaft - Drive	1
3	94-6363	Bearing	1
4	60-6330	Screw	4
5	76-6080	Seal - Cover	1
6	76-6190	Seal - Shaft	1
7	76-6180	Washer	2
8	252-95	Bearing - Thrust	2
9	94-3646	Key	1
10	94-3643	Plate - Cam	1
11	76-6070	Rotating Kit Assembly	1
†12		Gasket	1
13	94-6360	Plate - Valve	1
14	94-6368	Bearing	1
15	76-6150	Pin - Dowel	2
16	94-6361	Back Plate Assembly (Incl. Ref. #14 & 24)	1
†17		O-Ring	4
18	70-1240	Plug Assembly (Incl. Ref. #17)	2
19	76-6200	Spring	2
20	94-3644	Seat	2

Ref. No.	Part No.	Description	No. Used
21	39-2080	Dump Valve Assembly	1
22	76-6170	Screw - Cap	2
23	76-6160	Screw - Cap	2
†24		Pin - Roll	1
25	76-6090	Cover - Trunion	1
26	76-6100	Cover - Trunion O-Ring	1
27	76-6140	O-Ring	1
28	33-3750	Race - Inner	1
29	94-3641	Housing Assembly (Incl. Ref. #3)	1
30	32151-29	Ring - Retaining	2
31	252-71	Race - Bearing	2
32	252-66	Bearing - Thrust	1
33	33-3720	Washer	1
34	42-2720	Seal - Shaft	1
35	32151-13	Ring - Retaining	1
†36		Ring - Retaining	1
†37		O-Ring	1
†38		O-Ring	1
*	94-6362	Seal Repair Kit (Incl. Ref. #6, 12, 17, 27, 30 & 34-38)	1

\* Not Illustrated

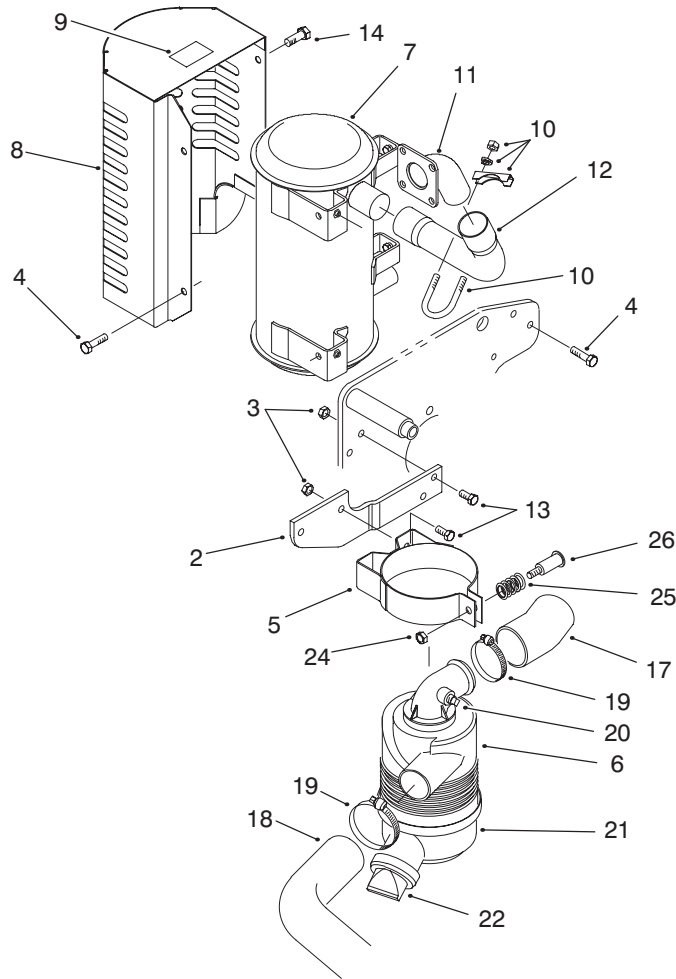
† Not Serviced Separately



T-2228-3

## NEUTRAL SYSTEM ASSEMBLY

Ref. No.	Part No.	Description	No. Used	Ref. No.	Part No.	Description	No. Used
1	33023-00	Nut - Lock	1	20	323-4	Screw - HH	2
2	94-8197	Tube - Pivot	1	21	33024-00	Nut - Lock	3
3	33113-030	Screw - HH	1	22	33114-025	Screw - HH	1
4	76-8870	Lever Damper Assembly	1	23	33114-030	Screw - HH	1
5	94-1312	Spacer - Pivot	1	24	33114-020	Screw - HH	1
6	94-3488	Pump Lever	1	25	3296-29	Nut - Hex	1
7	88-7200	Washer - Pivot	1	26	2411-34	Ball Joint	1
8	3210-6	Screw - HH	1	27	3296-13	Nut - Lock	1
9	94-9603	Cable Support	1	28	93-9051	Decal - Eccentric Bolt	1
10	94-9609	Bushing - Straight	1	29	93-2099	Cable - Traction Control	1
11	94-4527	Neutral Arm	1	31	3256-22	Washer - Flat	1
12	3-6498	Washer - Thrust	1	32	3220-2	Nut - Jam	1
13	93-2111	Stud - Traction	1	33	33115-035	Screw - HH	3
14	3296-4	Nut - Lock Elastic	1	34	94-3486	Plate	1
15	75-5470	Spacer	1	35	63-9750	Mount - Rubber	3
16	251-259	Bearing - Ball	1	36	2844	Washer	3
17	94-1369	Spring - Ext.	1	37	33025-00	Nut - Lock	3
18	18-6380	Pin	1	38	3220-1	Nut - Jam	1
19	94-3491	Bracket - Spring	1	39	94-8196	Washer - Nylon	2

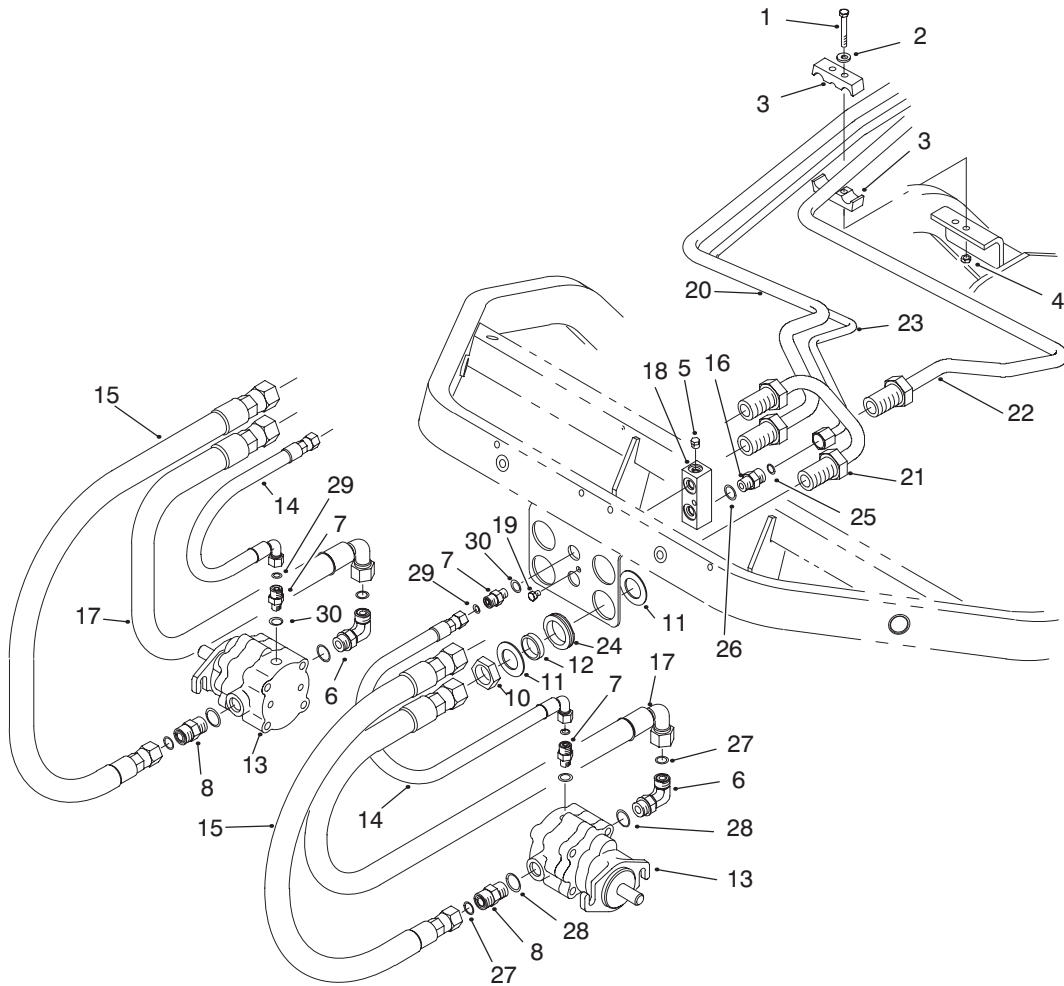


T-2237-2

## MUFFLER & AIR CLEANER ASSEMBLY

Ref. No.	Part No.	Description	No. Used	Ref. No.	Part No.	Description	No. Used
2	94-5359	Bracket - Air Cleaner	1	12	93-2181	Pipe - Exhaust	1
3	33024-00	Nut - Lock NI	4	13	33114-025	Screw - HH	4
4	33114-020	Screw - HH	6	17	93-2194	Hose - Air Cleaner	1
5	93-2191	Mounting Band Assembly (Incl. Ref. #24-26)	1	18	93-2035	Hose - Air Cleaner	1
6	93-2190	Air Cleaner Assembly (Incl. Ref. #20-23)	1	19	2412-92	Clamp - Hose	2
7	94-8153	Muffler	1	20	285-17	Plug	1
8	94-9629	Muffler Shield Assembly (Incl. Ref. #9)	1	21	94-3652	Cover Assembly	1
9	93-8069	Decal - Hot Surface	1	22	94-1414	Valve	1
10	2112-9	Clamp	2	*23	93-2195	Element - Air Cleaner	1
11	93-2188	Exhaust Bracket	1	24	48-9510	Nut - Lock	1
				25	94-3654	Spring - Compression	1
				26	94-3653	Bolt	1

\*Not Illustrated

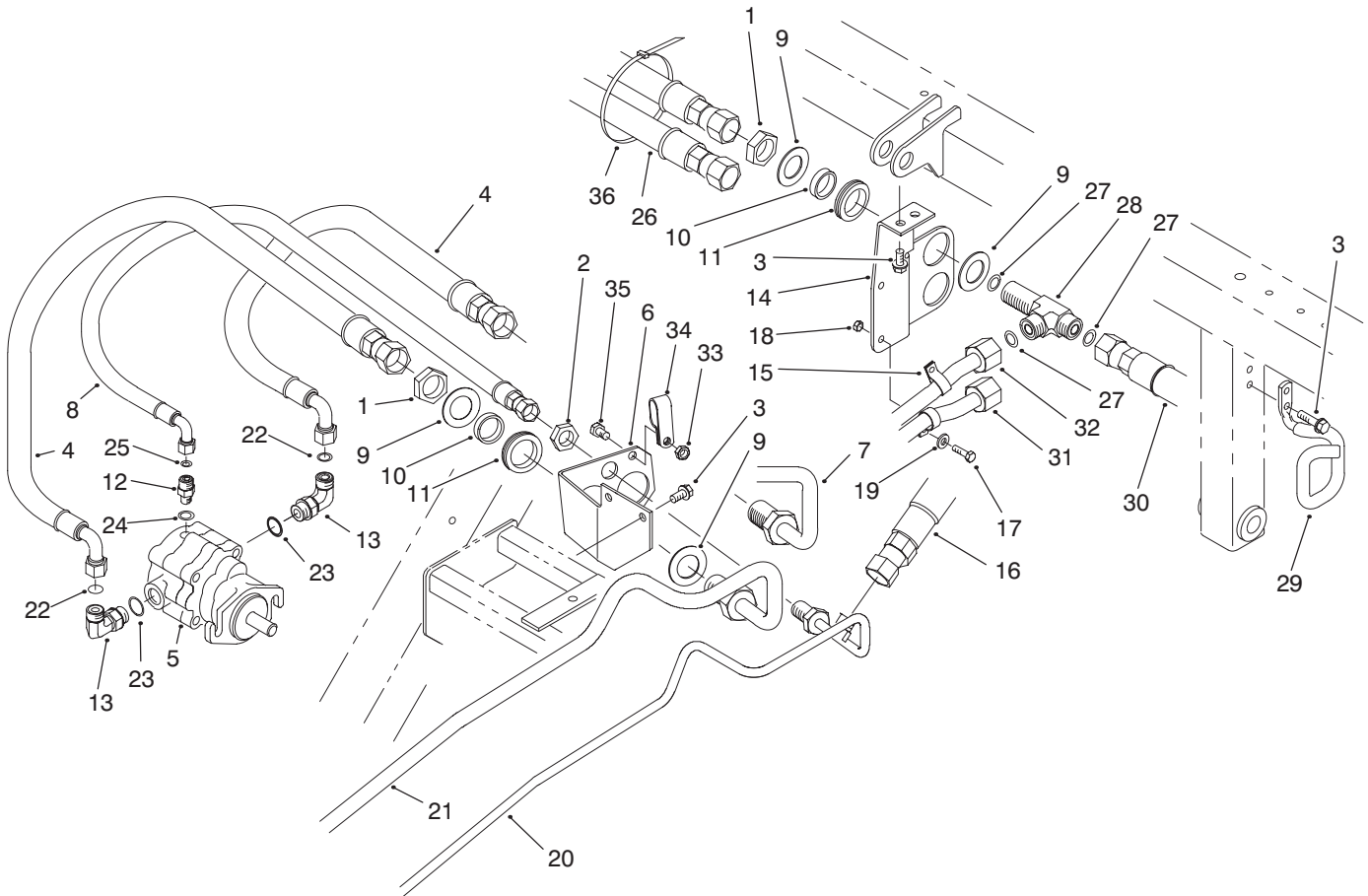


T-2240-1

## REEL MOTOR INSTALLATION ASSEMBLY – R.H. & L.H.

Ref. No.	Part No.	Description	No. Used
1	33113-050	Screw – HH	2
2	3256-1	Washer – Flat	2
3	93-2509	Clamp – Tube	2
4	33023-00	Nut – Lock NI	2
5	353-991	Plug	1
6	340-98	Fitting – Hydraulic 90° (Incl. Ref. #27-28)	2
7	340-92	Fitting – Hydraulic (Incl. Ref. #29-30)	4
8	340-4	Fitting – Hydraulic (Incl. Ref. #27-28)	2
10	340-74	Nut – Bulkhead	4
11	69-9010	Washer	8
12	69-9000	Spacer	4
13	93-1375	Reel Motor	2
14	93-2264	Hose Assembly	2
15	93-2262	Hose Assembly	2

Ref. No.	Part No.	Description	No. Used
16	340-2	Fitting – Hydraulic (Incl. Ref. #25-26)	1
17	93-2263	Hose Assembly	2
18	93-2238	T-Block (Incl. Ref. #5)	1
19	33113-008	Screw – HH	1
20	94-1318	Tube – Hydraulic	1
21	94-1319	Tube – Hydraulic	1
22	94-1320	Tube – Hydraulic	1
23	94-1321	Tube – Hydraulic	1
24	240-3	Grommet – Rubber	4
25	237-22	O-Ring	1
26	237-42	O-Ring	1
27	237-30	O-Ring	4
28	237-79	O-Ring	4
29	237-21	O-Ring	4
30	237-78	O-Ring	4

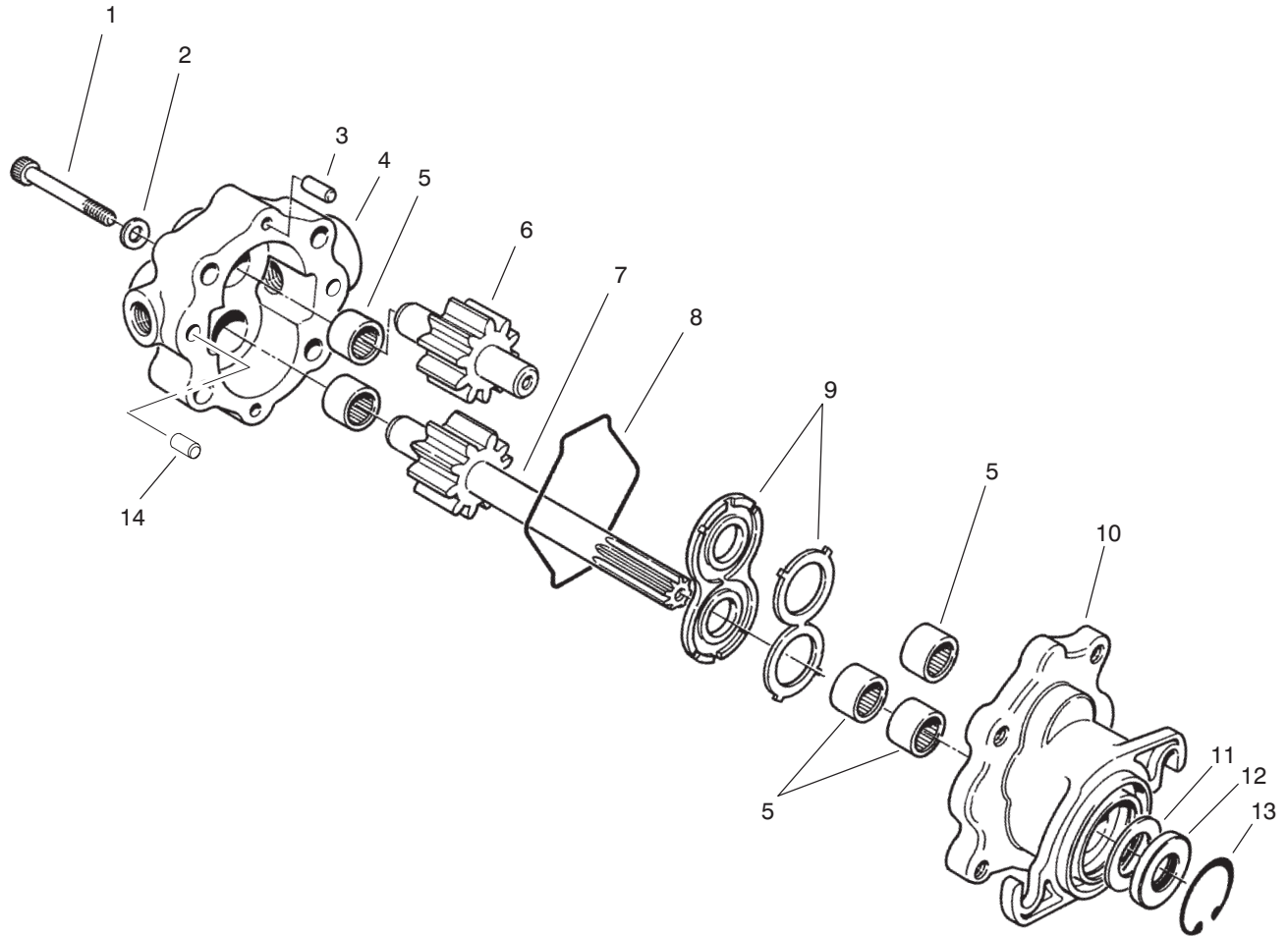


T-2241-2

## REEL MOTOR INSTALLATION ASSEMBLY – REAR

Ref. No.	Part No.	Description	No. Used
1	340-74	Nut – Bulkhead	4
2	340-70	Nut – Bulkhead	1
3	32144-14	Screw – HH	6
4	93-2259	Hose Assembly	2
5	93-1375	Reel Motor	1
6	94-1316	Bracket – Bulkhead	1
7	94-1317	Tube – Hydraulic	1
8	94-1328	Hose Assembly	1
9	69-9010	Washer	8
10	69-9000	Spacer	4
11	240-3	Grommet – Rubber	4
12	340-92	Fitting – Hydraulic (Incl. Ref. #24-25)	1
13	340-98	Fitting – Hydraulic 90° (Incl. Ref. #22-23)	2
14	94-8155	Bracket – Bulkhead	1
15	2412-134	Clamp – R	2
16	94-4539	Hose Assembly	1
17	33113-016	Screw – HH	2
18	33023-00	Nut – Lock NI	2

Ref. No.	Part No.	Description	No. Used
19	3256-22	Washer – Flat	2
20	94-1321	Tube – Hydraulic	1
21	94-1318	Tube – Hydraulic	1
22	237-30	O-Ring	2
23	237-79	O-Ring	2
24	237-78	O-Ring	1
25	237-21	O-Ring	1
26	94-5357	Hose Assembly	2
27	237-65	O-Ring	3
28	94-5350	Fitting – Bulkhead Tee (Incl. Ref. #27)	2
29	94-5352	Retainer – Hose	1
30	94-5358	Hose Assembly	2
31	94-5353	Tube – Hydraulic	1
32	94-5354	Tube – Hydraulic	1
33	33024-00	Nut – Lock	1
34	2412-137	Clamp – Tube, Double	1
35	33114-020	Screw – HH	1
36	3290-378	Tie – Cable	1

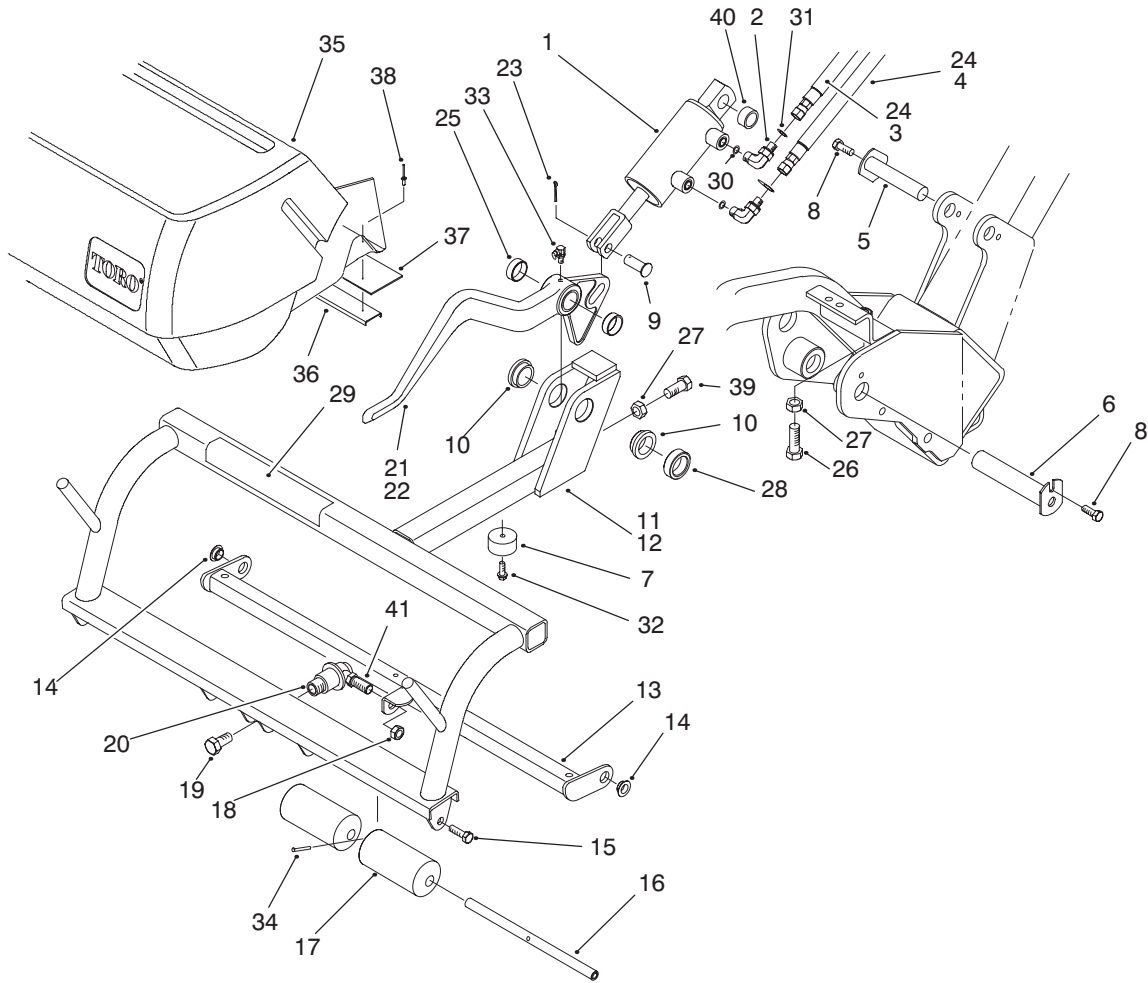


T-1872-1

## REEL MOTOR ASSEMBLY NO. 93-1375

Ref. No.	Part No.	Description	No. Used	Ref. No.	Part No.	Description	No. Used
1	354-50	Screw-Hex Socket Hd.	4	9	74-3810	Assembly - Load Plate	1
2	354-51	Washer	4	10	92-8795	Assembly - Body (Incl. Ref. #5)	1
3	353-599	Pin-Dowel	2	†11		Spacer	1
4	93-3614	Assembly - Cover (Incl. Ref. #5)	1	†12		Seal-Shaft	1
†5		Bearing-Needle	5	13	32151-41	Ring - Retaining	1
6	93-3616	Assembly - Idler Gear	1	14	92-8796	Pin - Dowel	2
7	93-3615	Assembly - Drive Shaft	1	*	92-8863	Repair Kit (Incl. Ref. #8, & 11-13)	1
8	354-46	Ring-Seal	1				

\*Not Illustrated  
†Not Serviced Separately

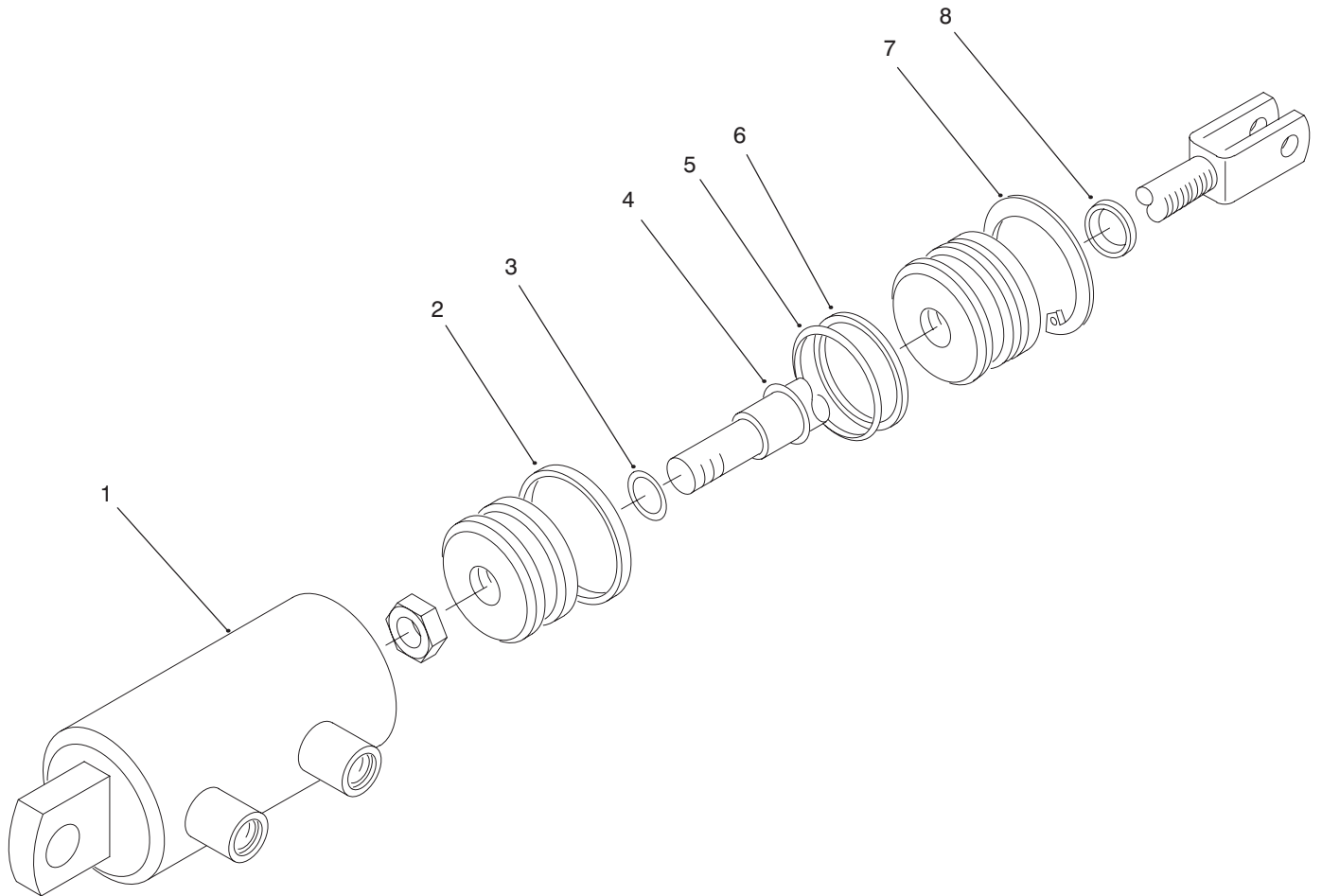


T-2230-3

## PULL FRAME ASSEMBLY – R.H. & L.H.

Ref. No.	Part No.	Description	No. Used	Ref. No.	Part No.	Description	No. Used
1	93-2246	Hydraulic Cylinder Assembly	2	21	93-2405	Lift Arm – RH	1
2	340-132	Fitting – Hydraulic 90° (Incl. Ref. #30-31)	4	22	93-2407	Lift Arm – LH	1
3	93-2255	Hose Assembly	1	23	3272-11	Pin – Cotter	2
4	93-2256	Hose Assembly	1	24	93-2254	Hose Assembly	2
5	10-6060	Pin – Ram Pivot	2	25	92-8995	Bushing – Straight	4
6	94-8198	Carrier Pin Assembly	2	26	325-6	Screw – HH	2
7	94-4548	Bumper	2	27	3218-5	Nut – Jam	4
8	32144-14	Screw – HH	4	28	93-2384	Spacer – Carrier	2
9	283-8	Pin – Clevis	2	29	93-8064	Decal – Warning	2
10	94-9610	Bushing – Flange	4	30	237-78	O-Ring	4
11	94-9625	Carrier – RH (Incl. Ref. #10 & 29)	1	31	237-21	O-Ring	4
12	94-9624	Carrier – LH (Incl. Ref. #10 & 29)	1	32	32144-44	Screw – HWH	2
13	94-3483	Pull Arm	2	33	302-60	Fitting – Grease 90°	2
14	93-2368	Bushing – Flange	4	34	32121-6	Pin – Roll	4
15	3211-2	Screw – HH	8	35	93-2553	Grass Basket Assembly (Incl. Ref. #36-38)	2
16	93-2363	Shaft – Roller	8	36	93-2552	Retainer	2
17	93-2362	Roller – Anti Scalp	8	37	93-2551	Seal – Basket	2
18	3296-19	Nut – Lock	2	38	3290-55	Rivet – Pop	16
19	3213-1	Screw – HH	2	39	325-4	Screw – HH	2
20	94-9647	Ball Joint (Incl. Ref. #41)	2	40	74-3730	Spacer	2
				41	94-9648	Ball Stud	2
				*	65-8320	Bar – Guage	1

\* Not Illustrated.



T-2299-1

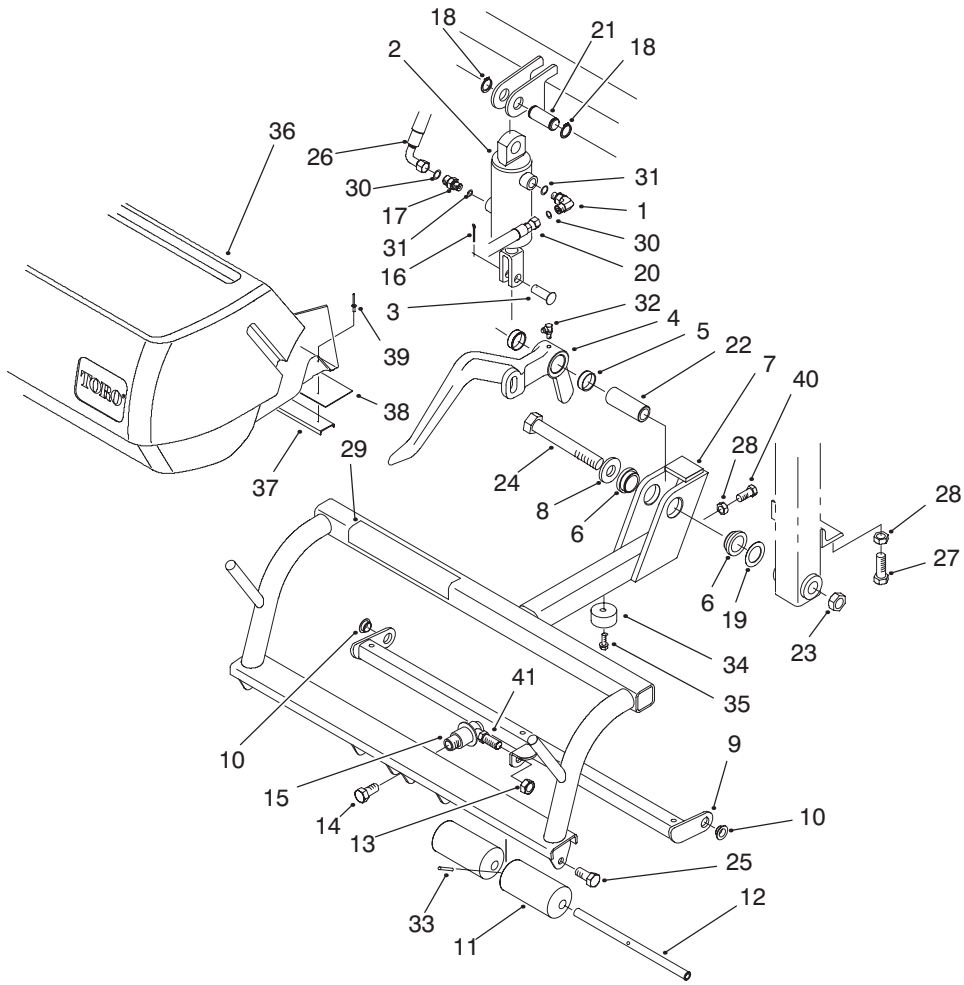
## HYDRAULIC CYLINDER NO. 93-2246

Ref. No.	Part No.	Description	No. Used
†1		Barrel	1
†2		Uniring	1
†3		O-Ring	1
†4		Seal - PDF	1
†5		O-Ring	1

Ref. No.	Part No.	Description	No. Used
†6		Washer - Back-Up	1
7	32120-8	Ring - Retaining	1
†8		Seal - Dust	1
*	86-5390	Kit - Seal, Repair (Incl. Ref. #2-6 & 8)	1

PROTOTYPE

†Not Serviced Separately

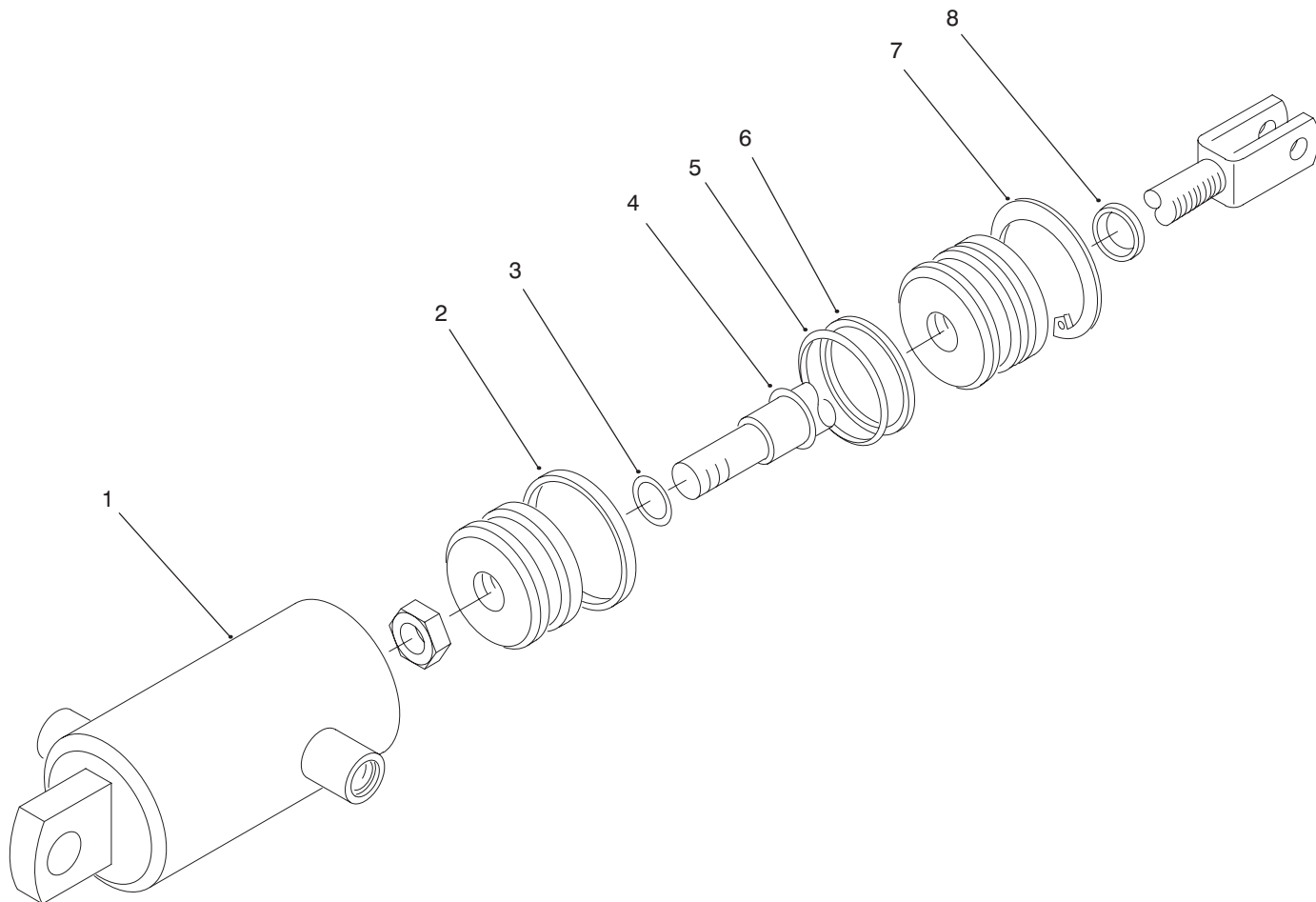


T-2231-3

## PULL FRAME ASSEMBLY – REAR

Ref. No.	Part No.	Description	No. Used
1	340-132	Fitting – Hydraulic 90° (Incl. Ref. #30-31)	1
2	94-6357	Hydraulic Cylinder Assembly	1
3	283-8	Pin – Clevis	1
4	93-2403	Lift Arm – Center	1
5	92-8995	Bushing – Straight	2
6	94-9610	Bushing – Flange	2
7	94-9626	Center Carrier Assembly (Incl. Ref. #6 & 29)	1
8	3256-7	Washer – Flat	1
9	94-3483	Pull Arm	1
10	93-2368	Bushing – Flange	2
11	93-2362	Roller – Anti Scalp	4
12	93-2363	Shaft – Roller	2
13	3296-19	Nut – Lock	1
14	3213-1	Screw – HH	1
15	94-9647	Ball Joint (Incl. Ref. #41)	1
16	3272-11	Pin – Cotter	1
17	85-9720	Fitting – Hydraulic (Incl. Ref. #30-31)	1
18	32120-72	Ring – Retaining, Ext.	2
19	63-2290	Washer – Thrust	1
20	93-2258	Hose Assembly	1

Ref. No.	Part No.	Description	No. Used
21	94-3452	Pin – Cylinder	1
22	94-8199	Tube – Pivot	1
23	3296-53	Nut – Hex	1
24	327-17	Screw – HH	1
25	3211-2	Screw – HH	4
26	94-3477	Hose Assembly	1
27	325-6	Screw – HH	1
28	3218-5	Nut – Jam	2
29	93-8064	Decal – Warning	1
30	237-21	O-Ring	2
31	237-78	O-Ring	2
32	302-60	Fitting – Grease 90°	1
33	32121-6	Pin – Roll	2
34	94-4548	Bumper	1
35	32144-44	Screw – HWH	1
36	93-2553	Grass Basket Assembly (Incl. Ref. #37-39)	1
37	93-2552	Retainer	1
38	93-2551	Seal – Basket	1
39	3290-55	Rivet – Pop	8
40	325-4	Screw – HH	1
41	94-9648	Ball Stud	1



T-2358-1

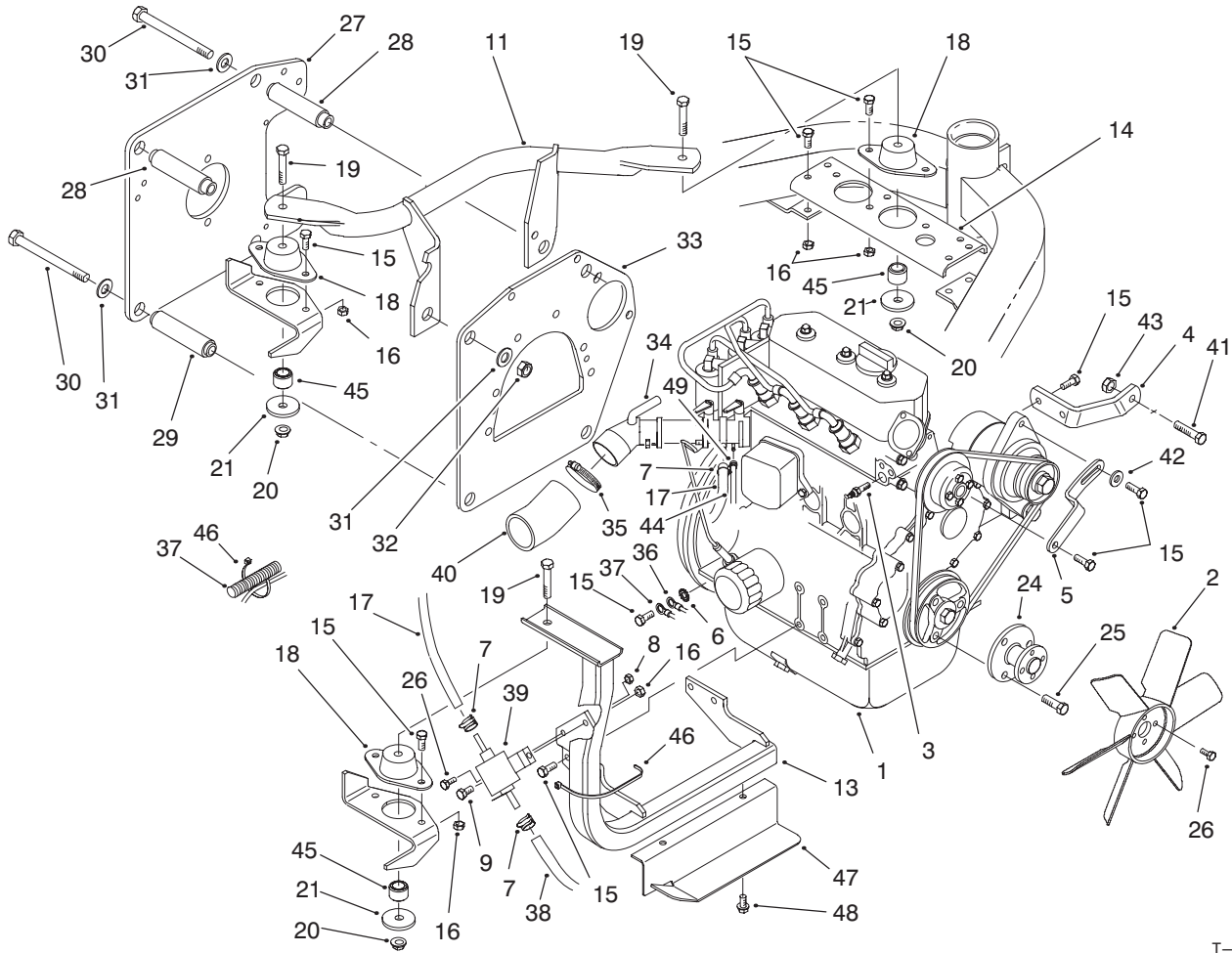
### HYDRAULIC CYLINDER NO. 94-6357

Ref. No.	Part No.	Description	No. Used
†1		Barrel	1
†2		Uniring	1
†3		O-Ring	1
†4		Seal - PDF	1
†5		O-Ring	1

Ref. No.	Part No.	Description	No. Used
†6		Washer - Back-Up	1
7	32120-8	Ring - Retaining	1
†8		Seal - Dust	1
*	86-5390	Kit - Seal, Repair (Incl. Ref. #2-6 & 8)	1

PROTOTYPE

† Not Serviced Separately

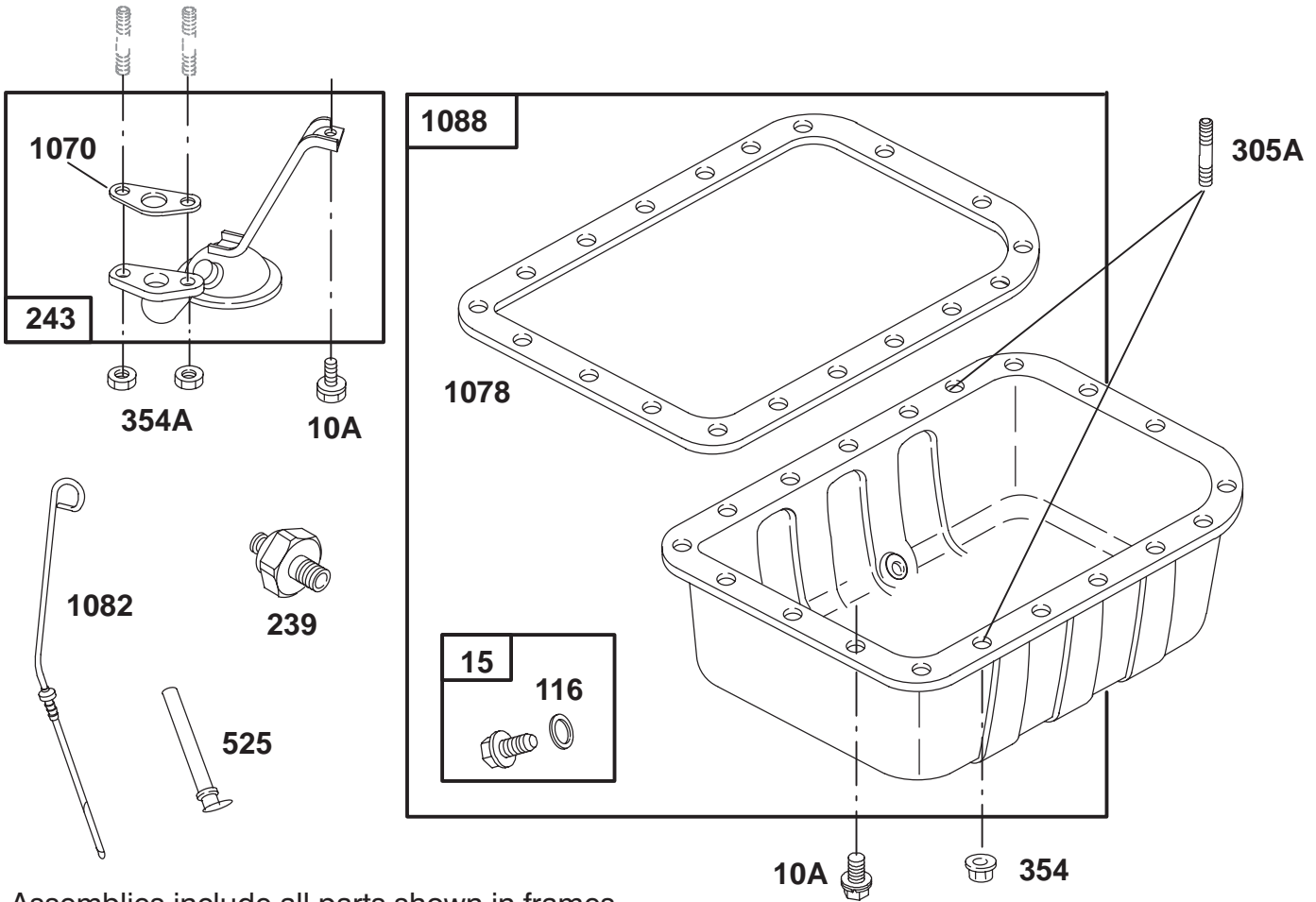


T-2236-3

## ENGINE INSTALLATION ASSEMBLY

Ref. No.	Part No.	Description	No. Used	Ref. No.	Part No.	Description	No. Used
1	93-2200	Engine - Daihatsu (Incl. Ref. #2-5, 33-34 & 39)	1	27	93-2173	Plate - Pump	1
2	93-2090	Fan - Engine	1	28	93-2588	Spacer - Upper	2
3	94-3457	Sender - Temperature	1	29	93-2174	Spacer - Lower	2
4	93-2445	Bracket - Alternator, Lower	1	30	33116-130	Screw - HH	4
5	93-2446	Bracket - Alternator, Upper	1	31	3256-26	Washer - Flat	8
6	3254-2	Washer - Lock, Int	1	32	33026-00	Nut - Lock NI	4
7	2412-98	Clamp - Hose	3	33		Plate - Backing	1
8	33023-00	Nut - Lock NI	1	34		Adapter - Carburetor	1
9	33114-016	Screw - HH	1	35	2412-92	Clamp - Hose	1
11	93-2210	Engine Mount - Rear	1	36	93-2344	Cable - Battery, Negative	1
13	93-2205	Engine Mount - Front	1	37	93-2349	Harness - Wire	1
14	93-2020	Bracket - Support	1	38	93-2228	Hose - Fuel	1
15	33114-020	Screw - HHF	19	39		Pump - Fuel	1
16	33024-00	Nut - Lock NI	11	40	93-2194	Hose - Air Cleaner	1
17	93-2229	Hose - Fuel	1	41	33115-050	Screw - HH	1
18	83-1030	Mount - Engine	3	42	3256-3	Washer - Flat	1
19	323-11	Screw - HH	3	43	33025-00	Nut - Lock	1
20	3290-357	Nut - Flange	3	44	70-1910	Hose - Fuel	1
21	41-4430	Plate - Washer	3	45	94-4538	Spacer - Mount	3
24	93-2153	Adapter - Fan	1	46	3290-378	Tie - Cable	2
25	70-8470	Screw	3	47	94-8156	Shield - Dust	1
26	33113-016	Screw - HH	5	48	32144-14	Screw - HWH	2
				49	94-8188	Clamp - Hose	1





Assemblies include all parts shown in frames.

## ENGINE BRIGGS & STRATTON MODEL 433447

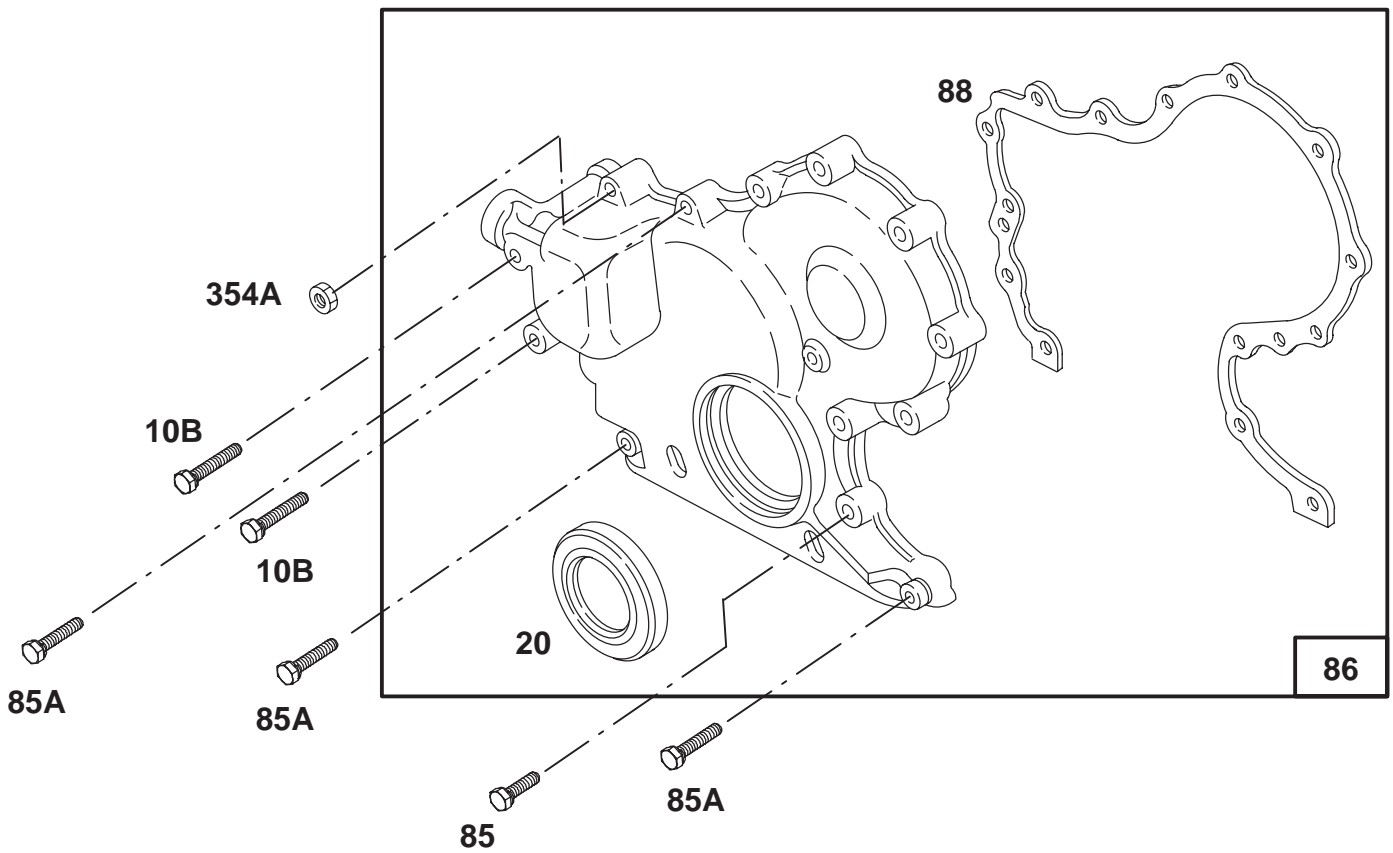
Ref. No.	Part No.	Description	No. Used
10A	820034	Screw—Hex. (Req. 17)	1
15	825043	Plug—Oil Drain	1
†116	820049	Washer	1
239	825000	Switch—Oil Pressure	1
243	825089	Screen—Oil Pump	1
305A	820017	Stud—Std. (Req. 2)	1
354	820068	Nut—Hex. (Req. 2)	1

Ref. No.	Part No.	Description	No. Used
354A	820069	Nut—Hex. (Req. 2)	1
525	820144	Adaptor—Oil Fill	1
†1070	820104	Gasket—Oil Strainer	1
†1078	820137	Gasket—Oil Pan	1
1082	820237	Dipstick	1
1088	825049	Pan—Oil	1

PROTOTYPE

NOTE: Obtain replacement parts from your local Briggs & Stratton Dealer.

† Included in Gasket Set — Part No. 825056.



Assemblies include all parts shown in frames.

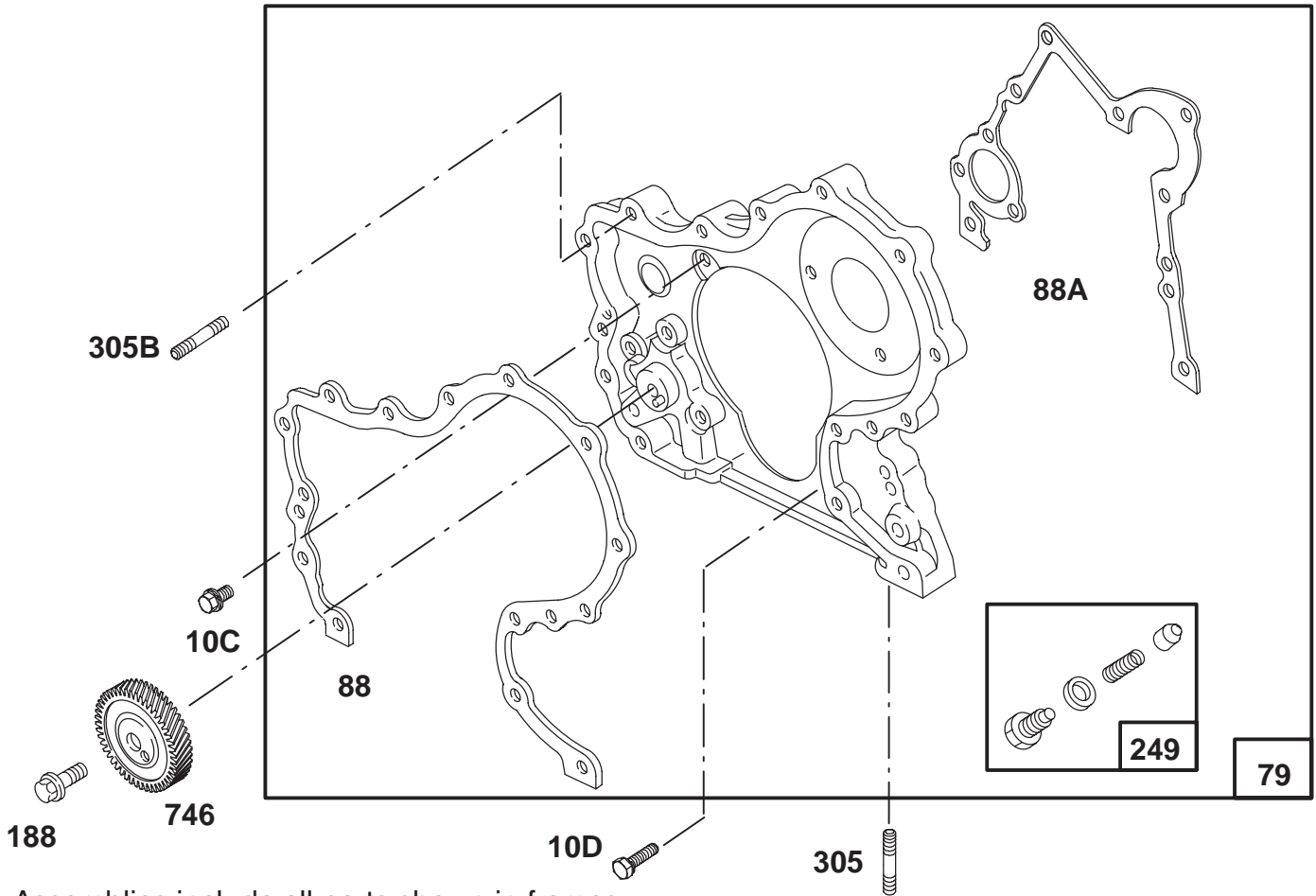
### ENGINE BRIGGS & STRATTON MODEL 433447

Ref. No.	Part No.	Description	No. Used	Ref. No.	Part No.	Description	No. Used
10B	820026	Screw—Hex. (Req. 2)	1	86	825119	Cover Assy.—Gear	1
†20	820055	Seal—Oil	1	†88	820148	Gasket—Cover	1
85	820029	Screw—Hex. (Req. 6)	1	354A	820069	Nut—Hex. (Req. 2)	1
85A	820027	Screw—Hex. (Req. 3)	1				

PROTOTYPE

NOTE: Obtain replacement parts from your local Briggs & Stratton Dealer.

† Included in Gasket Set — Part No. 825056.



Assemblies include all parts shown in frames.

## ENGINE BRIGGS & STRATTON MODEL 433447

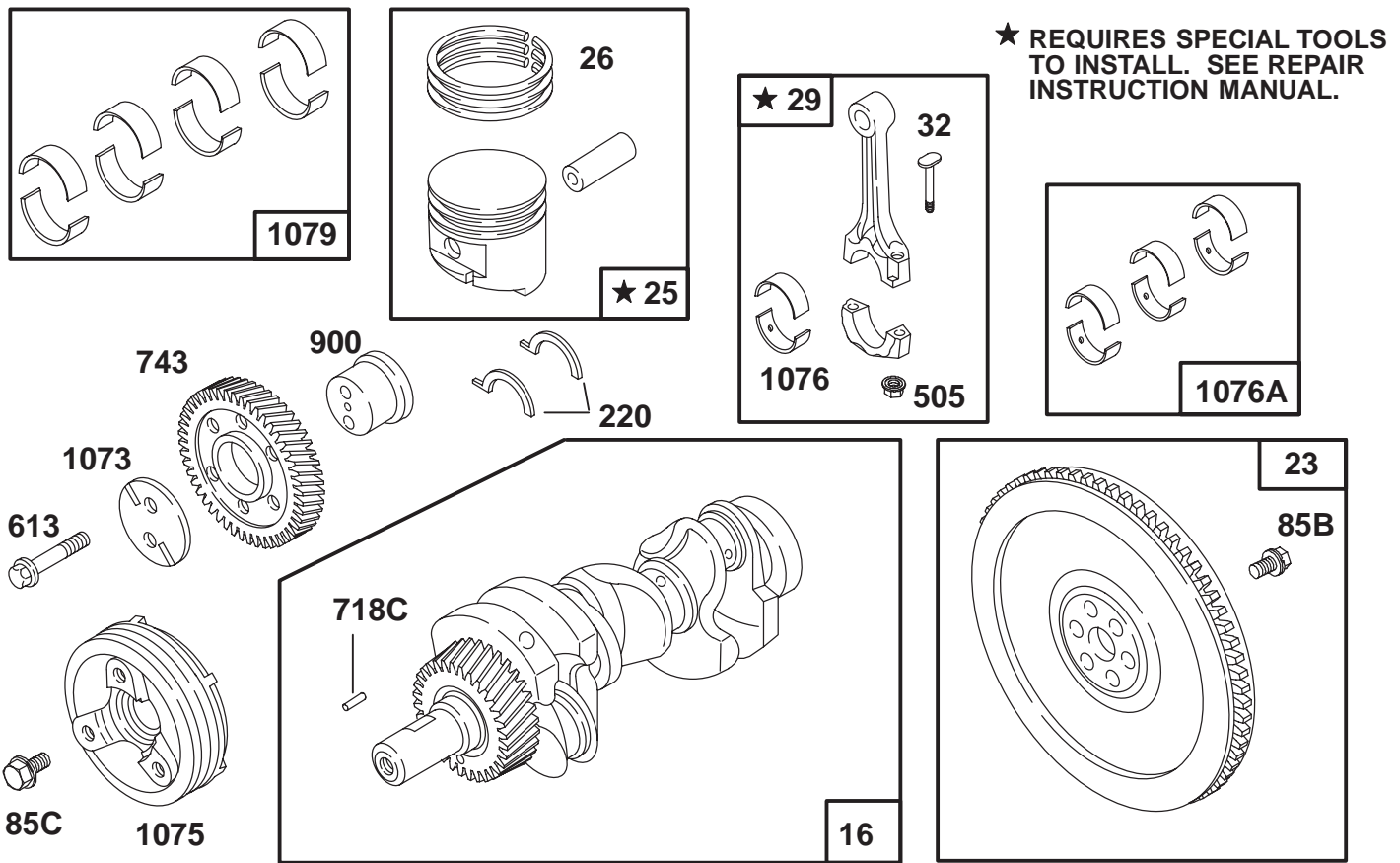
Ref. No.	Part No.	Description	No. Used
10C	820033	Screw—Hex.	1
10D	820030	Screw—Hex. (Req. 4)	1
79	825120	Case Assembly—Gear	1
†88	820148	Gasket—Cover	1
†88A	820155	Gasket—Cover	1
188	820180	Screw—Hex.	1

Ref. No.	Part No.	Description	No. Used
249	825032	Valve—Oil Relief	1
305	820016	Stud—Std.	1
305B	820156	Stud—Mtg. (Req. 2) (Assembly)	1
746	820121	Gear—Drive	1

PROTOTYPE

NOTE: Obtain replacement parts from your local Briggs & Stratton Dealer.

† Included in Gasket Set — Part No. 825056.

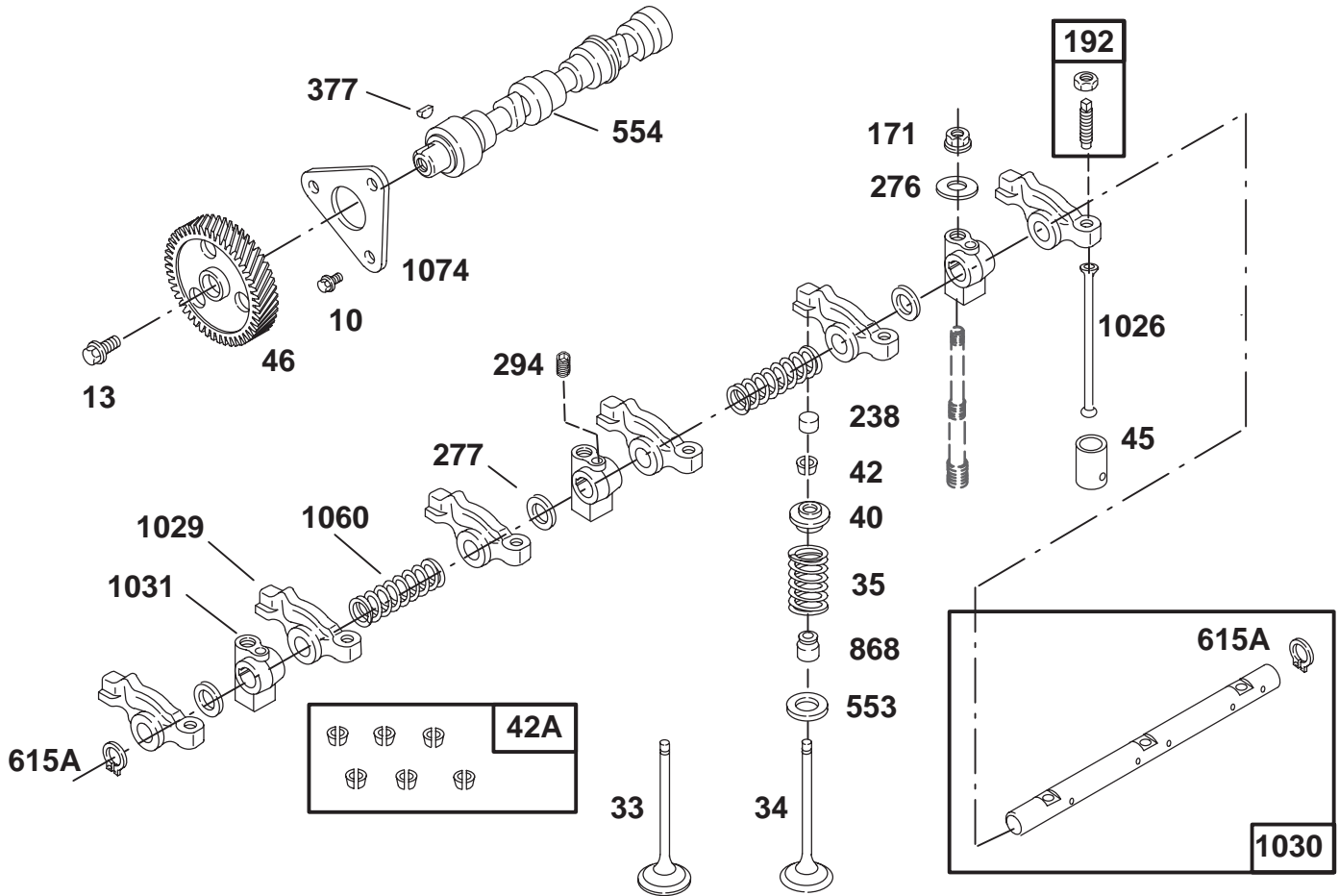


Assemblies include all parts shown in frames.

## ENGINE BRIGGS & STRATTON MODEL 433447

Ref. No.	Part No.	Description	No. Used	Ref. No.	Part No.	Description	No. Used
16	825016	Crankshaft	1	718C	820059	Pin—Locating	1
23	825090	Flywheel	1	743	825013	Gear—Drive	1
25	825038	Piston Assembly (Req. 3) (Standard)	1	900	820116	Shaft—Gear	1
		825018 Piston Assy. (Req. 3) (.010" Oversize)	1	1073	820117	Plate—Idler Gear	1
26	825091	Ring Set (Req. 3) (Standard)	1	1075	820123	Pulley—Crankshaft	1
		825092 Ring Set (Req. 3) (.010" Oversize)	1	1076	820142	Bearing—Rod (Standard) (Req. 3)	1
29	825033	Rod—Connecting (Req. 3)	1	1076A	825019	Bearing Set—Rod (Standard) (Includes 3 Sets)	1
32	820128	Screw—Hex. (Req. 6)	1			825060 Bearing Set—Rod (.010" Undersize) (Includes 3 Bearings)	1
85B	820080	Screw—Hex. (Req. 6)	1	1079	825040	Bearing Set—Main (Standard)	1
85C	820079	Screw—Hex.	1			825039 Bearing Set—Main (.010" Undersize)	1
220	820140	Washer—Thrust (Standard)	1				
		820139 Washer—Thrust (.005" Oversize)	1				
505	820073	Nut—Hex. (Req. 6)	1				
613	820081	Screw—Hex. (Req. 2)	1				

NOTE: Obtain replacement parts from your local Briggs & Stratton Dealer.



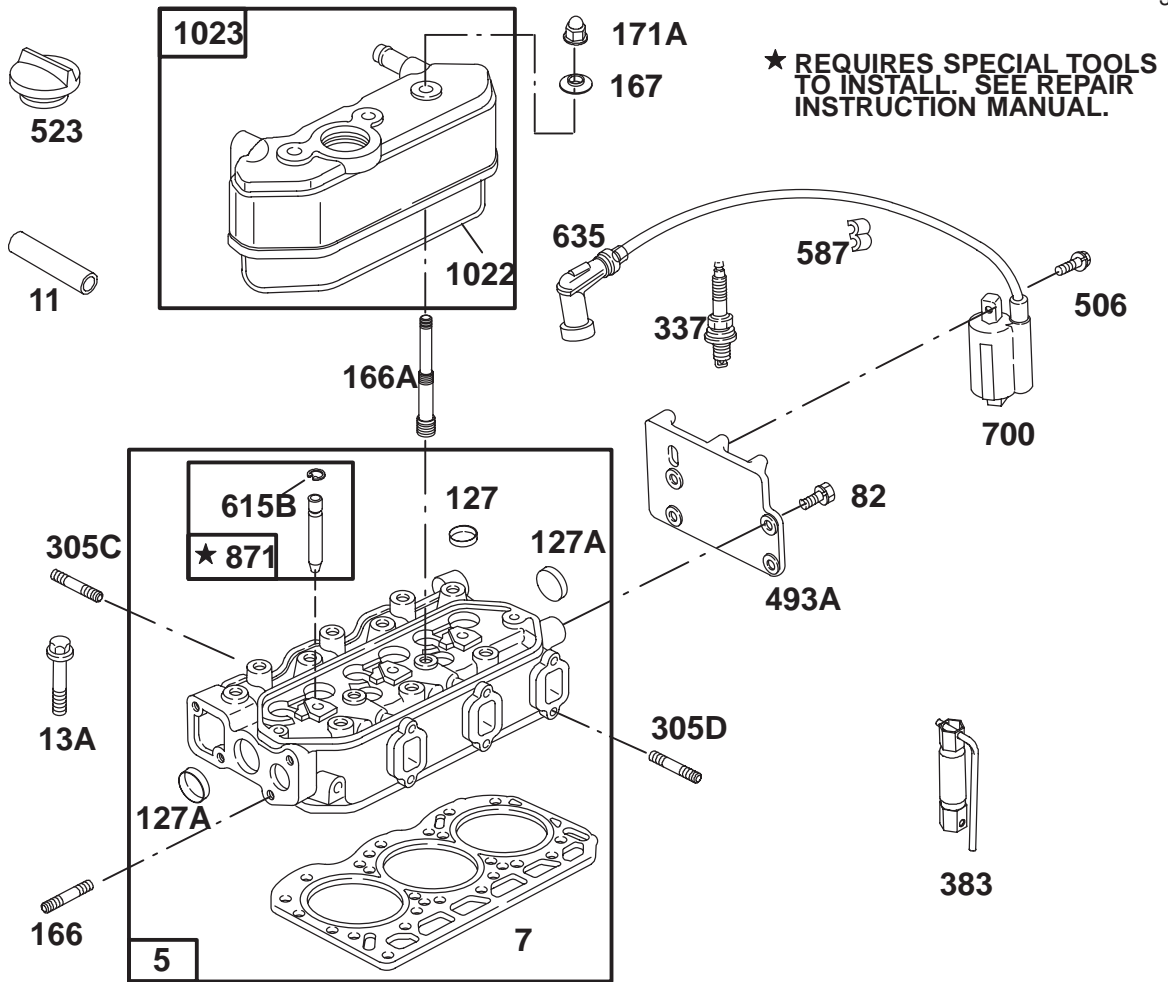
Assemblies include all parts shown in frames.

## ENGINE BRIGGS & STRATTON MODEL 433447

Ref. No.	Part No.	Description	No. Used
10	820031	Screw—Hex. (Req. 3)	1
13	820075	Screw—Hex.	1
33	820114	Valve—Exhaust (Req. 3)	1
34	820115	Valve—Intake (Req. 3)	1
35	820043	Spring—Valve (Req. 6)	1
40	820111	Retainer—Valve (Req. 6)	1
42	825042	Keeper—Valve	1
42A	825082	Keeper—Valve (Contains 1 Set of 6 Req.)	1
45	820110	Tappet—Valve (Req. 6)	1
46	820119	Gear—Cam	1
171	820070	Nut—Hex. (Req. 3)	1
192	825041	Nut—Rocker Arm (Req. 6)	1
238	820113	Cap—Valve (Req. 6)	1
276	820177	Washer (Req. 3)	1

Ref. No.	Part No.	Description	No. Used
277	820065	Washer (Req. 3)	1
294	820105	Screw—Socket	1
377	94196	Key—Woodruff	1
553	820112	Seat—Valve Spring (Req. 6)	1
554	820122	Shaft—Cam	1
615A	820003	Retainer (Req. 2)	1
868	820041	Seal—Valve (Req. 6)	1
1026	820109	Rod—Push (Req. 6)	1
1029	820107	Arm—Rocker (Req. 6)	1
1030	825093	Shaft—Rocker Arm	1
1031	820106	Support—Rocker Arm (Req. 3)	1
1060	820044	Spring—Rocker Shaft (Req. 2)	1
1074	820118	Retainer—Camshaft	1

NOTE: Obtain replacement parts from your local Briggs & Stratton Dealer.



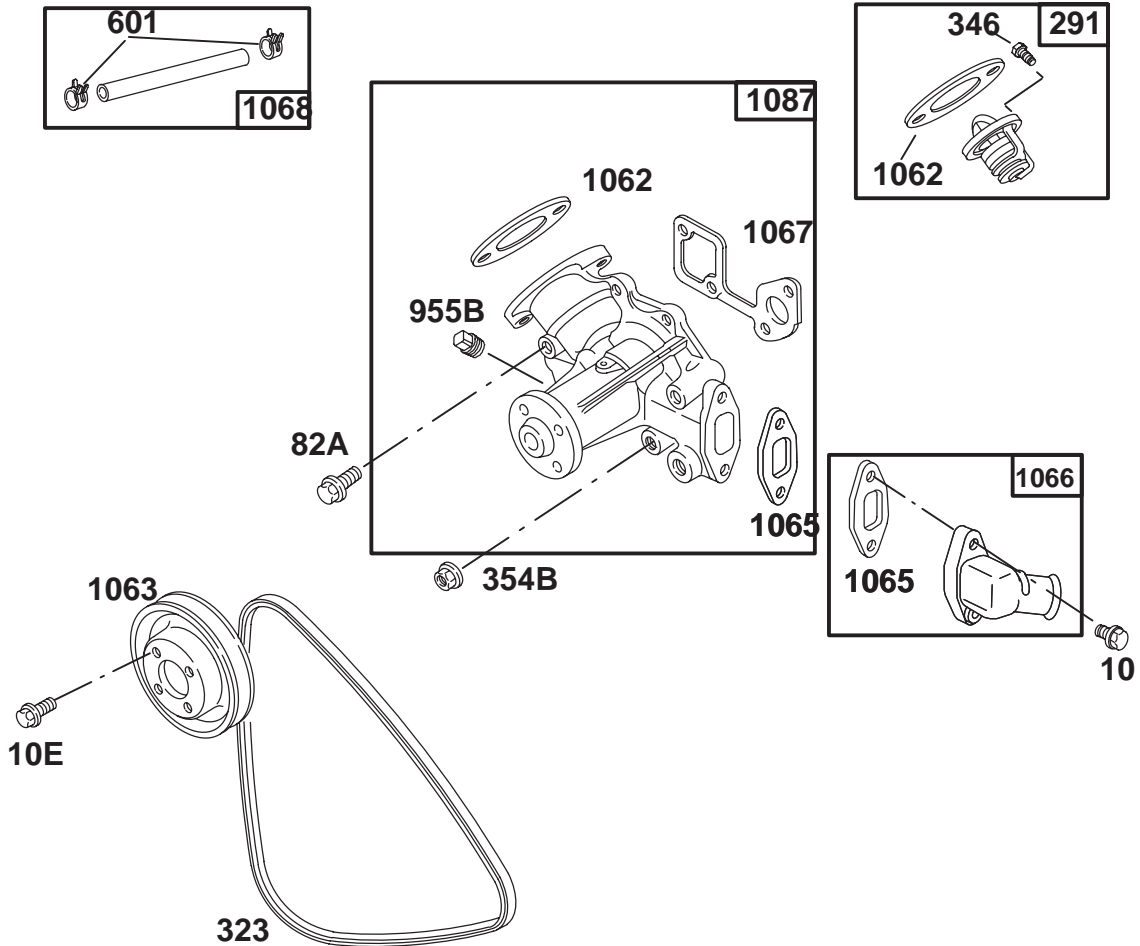
## ENGINE BRIGGS & STRATTON MODEL 433447

Ref. No.	Part No.	Description	No. Used	Ref. No.	Part No.	Description	No. Used
5	825047	Head—Cylinder	1	337	491055	Plug—Spark (Req. 3)	1
†‡7	820153	Gasket—Cylinder Head	1	383	89838	Wrench—Spark Plug	1
11	820048	Tube—Breather	1	493A	820083	Bracket—Mounting	1
13A	820074	Screw—Hex. (Req. 14)	1	506	820012	Screw—Hex. (Req. 6)	1
82	820024	Screw—Hex. (Req. 4)	1	523	825024	Cap—Oil Fill	1
127	820004	Plug—Welch (Req. 2)	1	587	820046	Clamp (Req. 2)	1
127A	820005	Plug—Welch (Req. 2)	1	615B	820130	Retainer (Req. 6)	1
166	820078	Stud—Mtg. (Req. 2)	1	635	820084	Boot—Spark Plug (Req. 3)	1
166A	820076	Stud—Std. (Req. 3)	1	700	820037	Coil—Ignition (Req. 3)	1
†‡167	820064	Washer (Req. 3)	1	871	825030	Bushing—Guide (Req. 6)	1
171A	820071	Nut (Req. 3)	1	†‡1022	820150	Gasket—Rocker Cover	1
305C	820015	Stud—Std. (Req. 2)	1	1023	825088	Cover—Rocker	1
305D	820014	Stud—Mtg. (Req. 6)	1				

NOTE: Obtain replacement parts from your local Briggs & Stratton Dealer.

† Included in Gasket Set – Part No. 825056.

‡ Included in Valve Overhaul Kit – Part No. 825057.



Assemblies include all parts shown in frames.

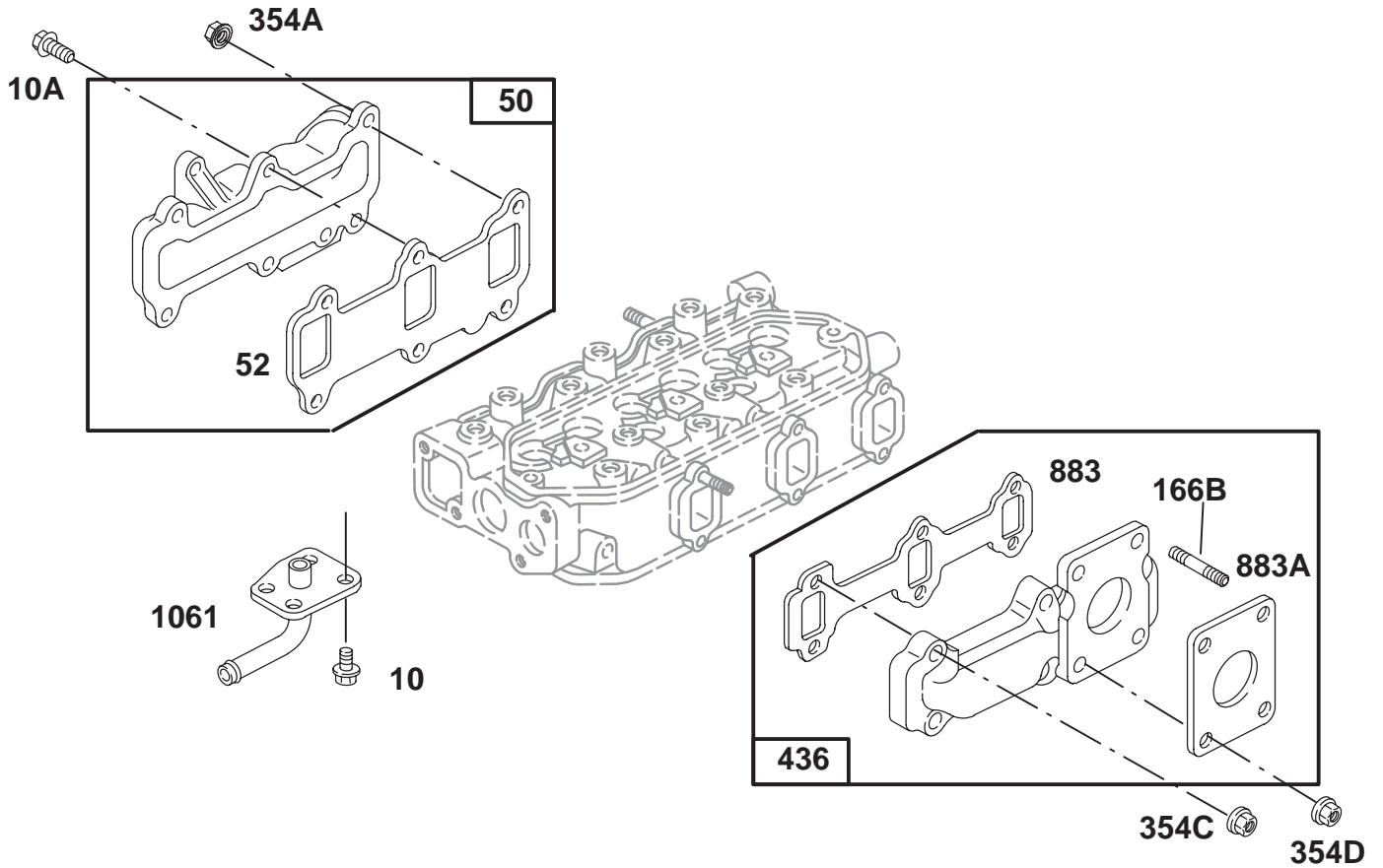
## ENGINE BRIGGS & STRATTON MODEL 433447

Ref. No.	Part No.	Description	No. Used	Ref. No.	Part No.	Description	No. Used
10	820031	Screw—Hex. (Req. 2)	1	955B	820182	Plug	1
10E	820203	Screw—Hex. (Req. 4)	1	†1062	820093	Gasket—Outlet	1
82A	820022	Screw—Hex. (Req. 2)	1	1063	820095	Pulley—Pump	1
291	825064	Thermostat	1	†1065	820098	Gasket—Inlet Hsg.	1
323	820288	Belt—Vee	1	1066	825051	Housing—Inlet	1
346	820185	Screw—Hex.	1	†1067	820100	Gasket—Water Pump	1
354B	820181	Nut—Hex. (Req. 2)	1	1068	825045	Hose	1
601	820045	Clamp—Hose (Req. 2)	1	1087	825050	Pump—Water	1

PROTOTYPE

NOTE: Obtain replacement parts from your local Briggs & Stratton Dealer.

† Included in Gasket Set — Part No. 825056.



Assemblies include all parts shown in frames.

## ENGINE BRIGGS & STRATTON MODEL 433447

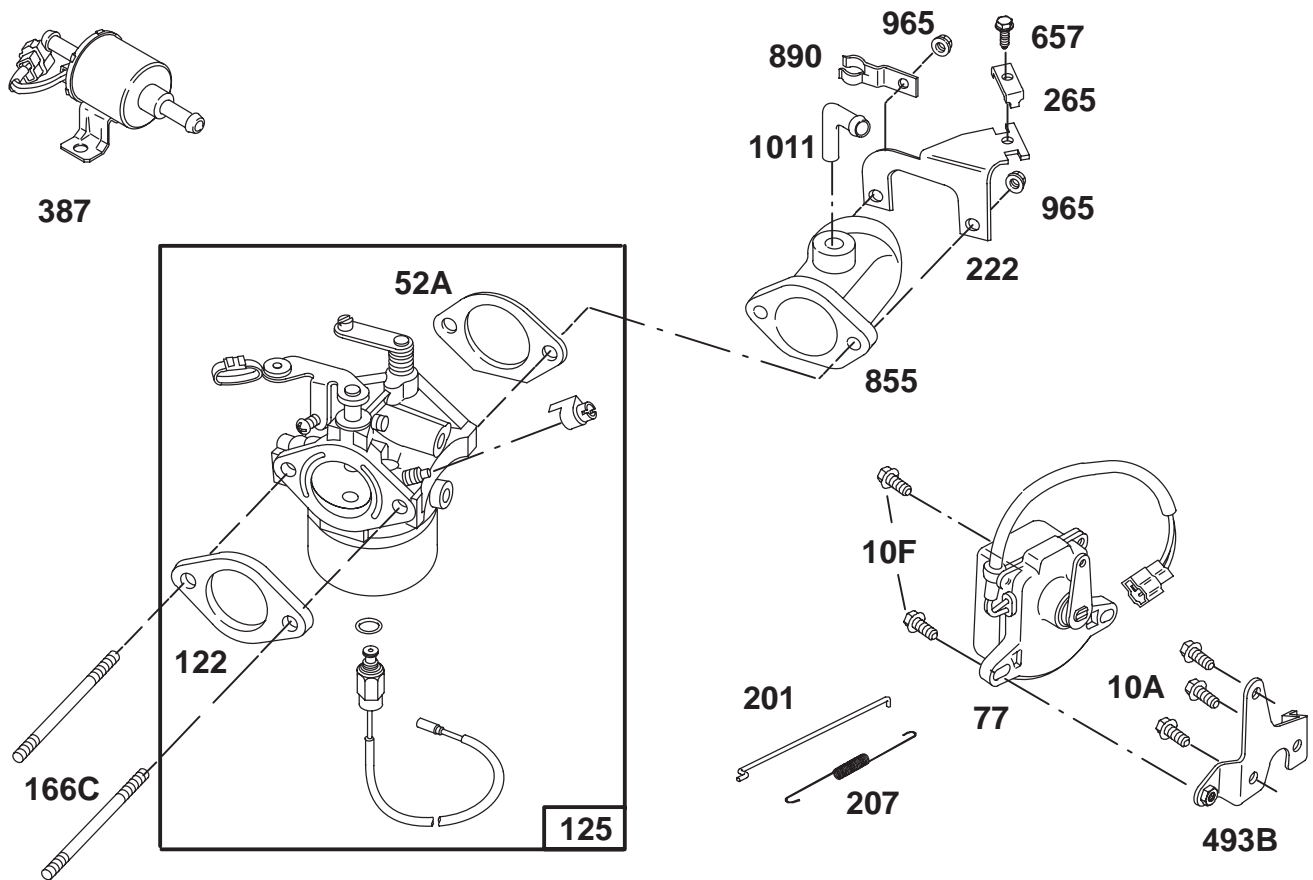
Ref. No.	Part No.	Description	No. Used	Ref. No.	Part No.	Description	No. Used
10	820031	Screw—Hex. (Req. 4)	1	354C	820010	Nut—Hex. (Req. 6)	1
10A	820034	Screw—Hex. (Req. 4)	1	354D	820178	Nut—Hex. (Req. 4)	1
50	825053	Manifold—Intake	1	436	825055	Manifold—Exhaust	1
†‡52	820087	Gasket—Intake	1	†‡883	820088	Gasket—Exhaust	1
166B	820183	Stud—Std. (Req. 4)	1	†883A	820085	Gasket—Exhaust	1
354A	820069	Nut—Hex. (Req. 2)	1	1061	820090	Cover—Outlet	1

PROTOTYPE

NOTE: Obtain replacement parts from your local Briggs & Stratton Dealer.

† Included in Gasket Set — Part No. 825056.

‡ Included in Valve Overhaul Kit — Part No. 825057.



Assemblies include all parts shown in frames.

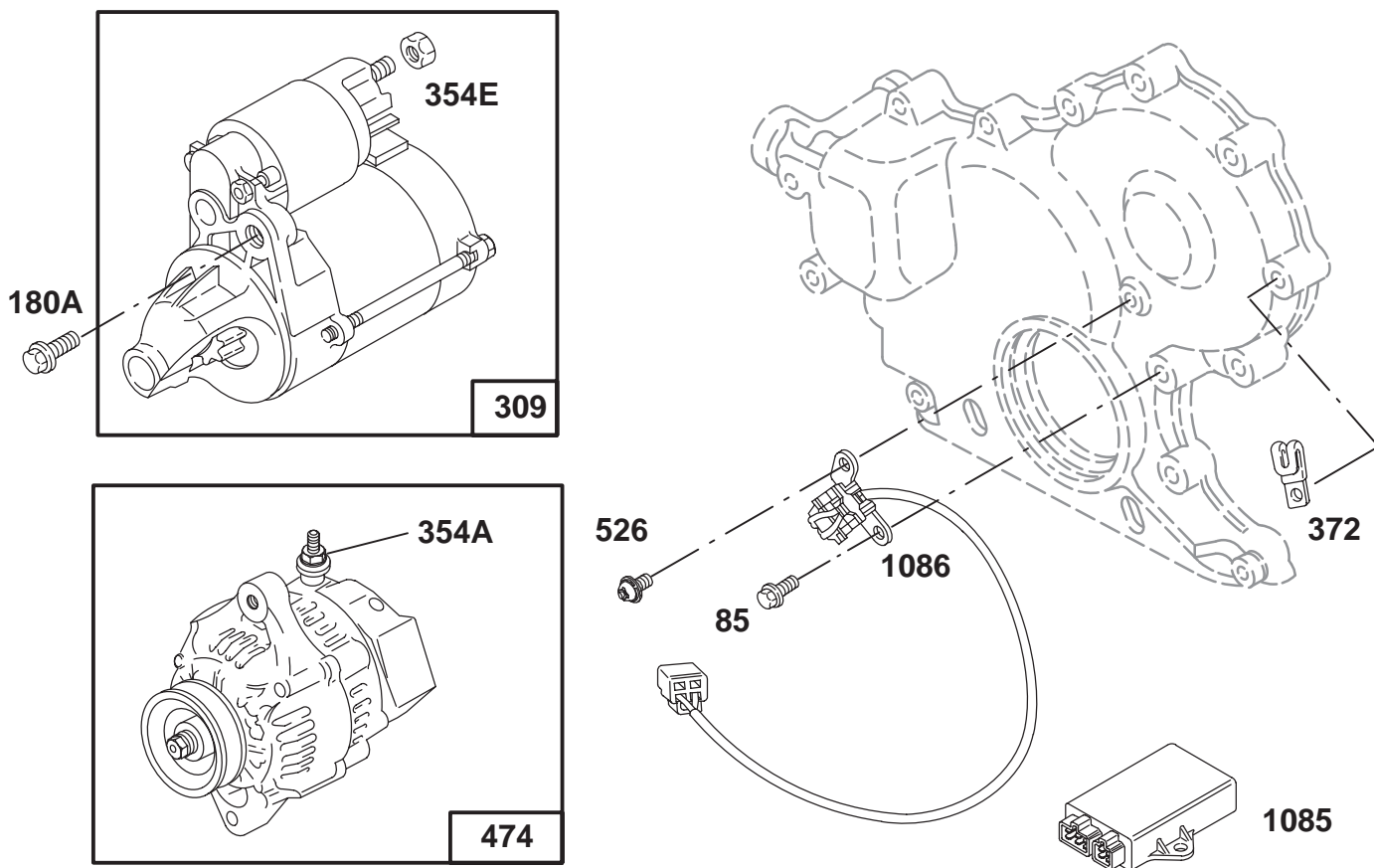
## ENGINE BRIGGS & STRATTON MODEL 433447

Ref. No.	Part No.	Description	No. Used
10A	820034	Screw—Hex. (Req. 3)	1
10F	820228	Screw—Hex. (Req. 2)	1
†52A	820160	Gasket—Intake	1
†77	820209	Governor—Electronic	1
122	820082	Spacer	1
125	825121	Carburetor	1
166C	820077	Stud (Carburetor Mounting) (Req. 2)	1
201	820226	Link	1
207	820227	Spring—Control Rod	1

Ref. No.	Part No.	Description	No. Used
222	820224	Bracket—Control	1
265	221535	Clamp—Casing	1
493B	820223	Bracket—Mounting	1
657	805169	Screw—Phillips	1
387	825005	Pump—Fuel	1
855	820284	Adaptor—Air	1
890	820238	Bracket—Support	1
965	820011	Nut—Hex. (Req. 2)	1
1011	820184	Tube—Vent	1

NOTE: Obtain replacement parts from your local Briggs & Stratton Dealer.

† Included in Gasket Set — Part No. 825056.



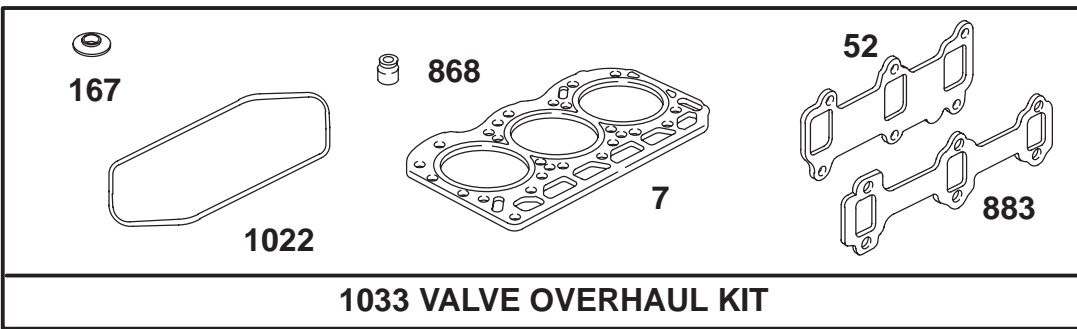
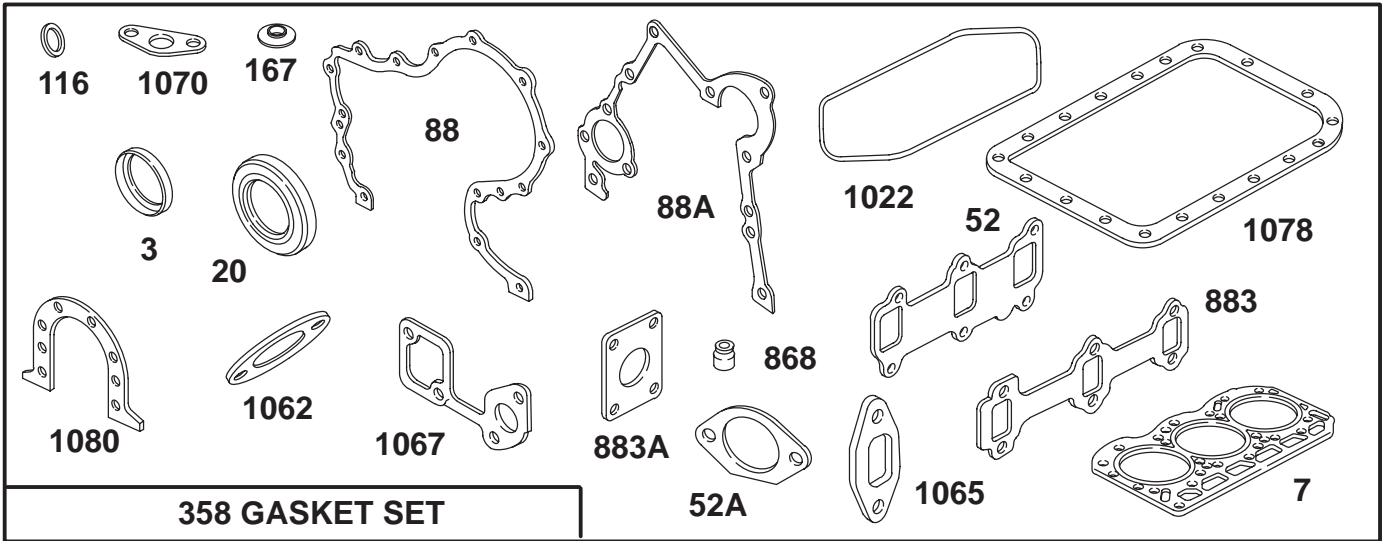
Assemblies include all parts shown in frames.

## ENGINE BRIGGS & STRATTON MODEL 433447

Ref. No.	Part No.	Description	No. Used	Ref. No.	Part No.	Description	No. Used
85	820029	Screw—Hex.	1	372	820047	Clamp	1
180A	820019	Screw—Hex. (Req. 2)	1	474	825084	Alternator	1
309	825095	Motor—Starter	1	526	820013	Screw—Phillips	1
354A	820069	Nut—Hex.	1	1085	825008	Module—Ignition	1
354E	820067	Nut—Hex.	1	1086	825009	Trigger—Ignition	1

PROTOTYPE

NOTE: Obtain replacement parts from your local Briggs & Stratton Dealer.



Assemblies include all parts shown in frames.

## ENGINE BRIGGS & STRATTON MODEL 433447

Ref. No.	Part No.	Description	No. Used
†3	K820056	Seal—Oil	1
†‡7	820153	Gasket—Cylinder Head	1
†20	820055	Seal—Oil	1
†‡52	820087	Gasket—Intake	1
†52A	820160	Gasket—Intake	1
†88	820148	Gasket—Cover	1
†88A	820155	Gasket—Cover	1
†116	820049	Washer	1
†‡167	820064	Washer (Rocker Cover)	1
358	825056	Gasket Set	1
†‡868	820041	Seal—Valve	1

Ref. No.	Part No.	Description	No. Used
†‡883	820088	Gasket—Exhaust	1
†883A	820085	Gasket—Exhaust	1
†‡1022	820150	Gasket—Rocker Cover	1
1033	825057	Kit—Valve Overhaul	1
†1062	820093	Gasket—Outlet	1
†1065	820098	Gasket—Inlet Hsg.	1
†1067	820100	Gasket—Water Pump	1
†1070	820104	Gasket—Oil Strainer	1
†1078	820137	Gasket—Oil Pan	1
†1080	820145	Gasket—Retainer	1

NOTE: Obtain replacement parts from your local Briggs & Stratton Dealer.

† Included in Gasket Set — Part No. 825056.

‡ Included in Valve Overhaul Kit — Part No. 825057.

# TORO PART NUMBER INDEX

3318-620

Part No.	Description	Pg. No.	Ref. No.	Qty.	Part No.	Description	Pg. No.	Ref. No.	Qty.
2844	Washer	23	36	3	75-1310	Element	17	30	1
3-6498	Washer - Thrust	23	12	1	75-2010	Cartridge - Relief 2000 psi	14	8	1
5-3934	Bolt	7	5	1	75-2080	Seal Kit	14	*	5
10-6060	Pin - Ram Pivot	28	5	2	75-2090	Seal Kit	14	*	1
10-6821	Brake Drum Assembly	3	*	2	75-3420	Lever - Control	10	7	1
10-6830	Stud - Drive	7	28	4	75-5470	Spacer	23	15	1
10-6850	Drum - Brake	3	3	2	75-5470	Spacer	11	17	1
10-6870	Hub - Wheel	3	24	2	75-9440	Hub - Wheel	7	6	1
10-7880	Hinge - Upper	1	11	1	76-0810	Housing Assembly	4	*	1
10-7890	Hinge - Lower	1	12	1	76-0840	Manifold	4	22	1
17-9420	Screw - Handle	2	18	1	76-0850	Bearing - Thrust	4	12	1
18-6320	Washer - Steering	7	3	3	76-0860	Shaft - Coupling	4	11	1
18-6380	Pin	23	18	1	76-0870	Plate - Wear	4	18	1
20-7150	Switch - Toggle	18	3	1	76-0880	Commutator Assembly	4	*	1
26-3790	Nut - Lock	3	14	2	76-0940	End Cover Assembly	4	24	1
27-2360	Switch - Ignition	10	13	1	76-6070	Rotating Kit Assembly	22	11	1
27-6600	Spacer - Coupling	20	9	4	76-6080	Seal - Cover	22	5	1
28-3680	Tire	3	2	2	76-6090	Cover - Trunion	22	25	1
28-3680	Tire	7	7	1	76-6100	Cover - Trunion O-Ring	22	26	1
33-3720	Washer	22	33	1	76-6140	O-Ring	22	27	1
33-3750	Race - Inner	22	28	1	76-6150	Pin - Dowel	22	15	2
39-2080	Dump Valve Assembly	22	21	1	76-6160	Screw - Cap	22	23	2
41-4430	Plate - Washer	32	21	3	76-6170	Screw - Cap	22	22	2
42-2720	Seal - Shaft	22	34	1	76-6180	Washer	22	7	2
43-6280	Button - Push	10	22	1	76-6190	Seal - Shaft	22	6	1
43-6420	Bezel	10	23	1	76-6200	Spring	22	19	2
47-2890	Bushing	5	12	2	76-8870	Lever Damper Assembly	23	4	1
47-6990	Nut - Steering Wheel	5	6	1	80-8650	Coupling - Rubber	20	8	1
48-9510	Nut - Lock	24	24	1	80-9330	Alarm - Audio	18	2	1
49-6440	Pedal - Accelerator	2	4	1	83-0730	Spacer - Lockup	5	8	1
60-3520	O-Ring	20	2	1	83-0740	Disc - Friction	5	4	2
60-6330	Screw	22	4	4	83-0760	Spacer - Lockup	5	3	1
63-2290	Washer - Thrust	30	19	1	83-1030	Mount - Engine	32	18	3
63-8360	Key - Ignition	10	6	2	83-1390	Fitting - Fuel Shutoff	16	9	1
63-9750	Mount - Rubber	23	35	3	83-1420	Steering Column Assembly	5	15	1
65-6390	Washer - Thrust	5	24	1	83-1450	Sensor - Oil Level	18	12	1
65-8320	Bar - Gauge	28	*	1	83-1700	Bushing - Flange	1	15	3
66-2490	Retainer - Battery	15	7	1	83-2250	Gauge - Sight	18	16	1
66-2750	Battery	15	6	1	83-2280	Timer - Delay	18	26	1
66-2950	Gauge - Hour Meter	10	4	1	84-2000	Bracket - Brake	3	6	2
66-3240	Cap - Radiator	19	34	1	85-4491	Lamp - Diagnostic	15	34	1
68-3270	Bumper - Rubber	15	28	2	85-6540	Stud - Drive	3	25	8
68-5130	Wheel - Steering	5	5	1	85-9190	Plate - Control	10	10	1
68-5140	Cap - Steering Wheel	5	27	1	85-9720	Fitting - Hydraulic	30	17	1
68-6150	Breather - Air	18	4	1	86-5390	Kit - Seal, Repair	29	*	1
69-4240	Seal Kit	14	*	1	86-5390	Kit - Seal, Repair	31	*	1
69-9000	Spacer	26	10	4	88-7200	Washer - Pivot	23	7	1
69-9000	Spacer	25	12	4	88-9190	Solenoid - 20 Watt	14	1	4
69-9010	Washer	26	9	8	92-5720	Controller - Electronic	15	1	1
69-9010	Washer	25	11	8	92-5753	Clamp - Hose, Double	15	26	2
70-1240	Plug Assembly	22	18	2	92-5838	Ball Joint	7	10	2
70-1480	Relay	15	11	1	92-6280	Seat	8	1	1
70-1910	Hose - Fuel	32	44	1	92-6315	Cartridge - N.C.	14	9	1
70-8470	Screw	32	25	3	92-8795	Assembly - Body	27	10	1
70-9840	Shoe - Brake	3	27	4	92-8796	Pin - Dowel	27	14	2
70-9850	Clip - Retaining	3	29	2	92-8863	Repair Kit	27	*	1
70-9860	Cam - Brake	3	26	2	92-8990	Adjuster	8	13	1
70-9870	Plate - Backing	3	28	2	92-8991	Adjuster w/Latch	8	14	1
70-9880	Spring - Return	3	4	4	92-8995	Bushing - Straight	30	5	2
71-1500	Brake Assembly	3	*	2	92-8995	Bushing - Straight	28	25	4
72-9760	Switch - Override	10	27	1	92-9199	Hydraulic Motor - Wheel	3	10	2
73-3540	Washer - Flat	18	43	2	92-9761	Link - Drive	4	13	7
74-0720	Tube - Manual	8	16	1	92-9762	Screw - Cap Hex. Hd.	4	14	1
74-3730	Spacer	28	40	2	92-9763	Rotor Set	4	*	1
74-3730	Spacer - Cylinder	7	20	2	93-1375	Reel Motor	26	5	1
74-3810	Assembly - Load Plate	27	9	1	93-1375	Reel Motor	25	13	2
74-5950	Latch - Swell	19	11	2	93-2010	Frame	1	4	1
74-9100	Pad - Pedal Forward	2	3	1	93-2018	Hose - Radiator	19	17	1
74-9110	Pad - Pedal Reverse	2	2	1	93-2020	Bracket - Support	32	14	1
75-1010	Switch	10	26	1	93-2035	Hose - Air Cleaner	24	18	1

\*Not Illustrated

# TORO PART NUMBER INDEX (Cont.)

Part No.	Description	Pg. No.	Ref. No.	Qty.	Part No.	Description	Pg. No.	Ref. No.	Qty.
93-2035	Hose - Air Cleaner	15	35	1	93-2258	Hose Assembly	30	20	1
93-2035	Hose - Air Cleaner	19	37	1	93-2258	Hose Assembly	13	24	1
93-2036	Clamp - Air Hose	15	27	1	93-2259	Hose Assembly	26	4	2
93-2048	Cap - Overflow Tank	16	19	1	93-2260	Hose - Expansion Tank	19	25	1
93-2049	Tank - Overflow	16	21	1	93-2260	Hose - Expansion Tank	16	26	1
93-2050	Screen	19	10	1	93-2262	Hose Assembly	25	15	2
93-2055	Reed Switch - Sensor	11	9	2	93-2263	Hose Assembly	25	17	2
93-2056	Reed Switch - Actuator	11	10	1	93-2264	Hose Assembly	25	14	2
93-2058	Bracket - Traction	11	15	1	93-2269	Hose Assembly	7	16	1
93-2064	Spring - Detent	11	16	1	93-2269	Hose Assembly	15	30	1
93-2068	Hose - Pump Inlet	17	24	1	93-2269	Hose Assembly	5	32	1
93-2069	Rod - Brake	3	12	2	93-2270	Hose Assembly	7	14	1
93-2069	Rod - Brake	1	14	2	93-2270	Hose Assembly	15	31	1
93-2070	Clevis - Swivel	3	21	2	93-2270	Hose Assembly	5	33	1
93-2072	Shield - Wheel RH	1	17	1	93-2271	Hose Assembly	13	13	1
93-2073	Shield - Wheel LH	1	16	1	93-2271	Hose Assembly	5	34	1
93-2075	Brake Pedal	1	21	1	93-2272	Hose Assembly	13	14	1
93-2085	Rod	2	1	1	93-2272	Hose Assembly	5	30	1
93-2089	Bracket - Controller	15	4	1	93-2275	Screen - Filler	18	33	1
93-2090	Fan - Engine	32	2	1	93-2276	Spring - Brake Latch	1	2	1
93-2092	Clamp - Cable	2	31	1	93-2279	Clamp - Cable	11	2	1
93-2096	Lever - Brake	3	13	2	93-2279	Clamp - Cable	2	34	1
93-2099	Cable - Traction Control	2	16	1	93-2300	Radiator	19	4	1
93-2099	Cable - Traction Control	23	29	1	93-2320	Shroud - Fan	19	19	1
93-2111	Stud - Traction	23	13	1	93-2329	Control - Choke	10	9	1
93-2115	Steering Arm	5	19	1	93-2343	Cable - Battery, Positive	15	21	1
93-2120	Steering Control Valve	5	23	1	93-2344	Cable - Battery, Negative	15	22	1
93-2122	Cylinder Asm - Steering	7	13	1	93-2344	Cable - Battery, Negative	32	36	1
93-2123	Bracket - Fuse Block	15	19	1	93-2349	Harness - Wire	32	37	1
93-2125	Castor Fork	7	4	1	93-2349	Wire Harness	15	23	1
93-2128	Panel - Seat Base	8	5	1	93-2362	Roller - Anti Scalp	30	11	4
93-2142	Pad - Floor Plate	2	8	1	93-2362	Roller - Anti Scalp	28	17	8
93-2153	Adapter - Fan	32	24	1	93-2363	Shaft - Roller	30	12	2
93-2173	Plate - Pump	32	27	1	93-2363	Shaft - Roller	28	16	8
93-2174	Spacer - Lower	32	29	2	93-2368	Bushing - Flange	30	10	2
93-2181	Pipe - Exhaust	24	12	1	93-2368	Bushing - Flange	28	14	4
93-2188	Exhaust Bracket	24	11	1	93-2384	Spacer - Carrier	28	28	2
93-2190	Air Cleaner Assembly	24	6	1	93-2400	Lockup Handle	5	2	1
93-2191	Mounting Band Assembly	24	5	1	93-2403	Lift Arm - Center	30	4	1
93-2194	Hose - Air Cleaner	24	17	1	93-2405	Lift Arm - RH	28	21	1
93-2194	Hose - Air Cleaner	32	40	1	93-2407	Lift Arm - LH	28	22	1
93-2195	Element - Air Cleaner	24	*23	1	93-2422	Rod - Seat Pivot	8	10	2
93-2199	Screw - HH	5	9	1	93-2424	Bracket - Cooler, Lower	19	13	2
93-2200	Engine - Daihatsu	32	1	1	93-2425	Bracket - Cooler, Upper	19	5	2
93-2205	Engine Mount - Front	32	13	1	93-2429	Tank - Leak Detection	18	5	1
93-2210	Engine Mount - Rear	32	11	1	93-2430	Valve Assembly	18	11	1
93-2220	Pump Adapter	20	10	1	93-2433	Hose - Formed, Inlet	18	14	1
93-2224	Tank - Fuel, Gasoline	16	2	1	93-2434	Hose - Formed, Outlet	18	7	1
93-2227	Hose - Fuel	16	12	1	93-2435	Plate - Cover	18	1	1
93-2228	Hose - Fuel	16	23	1	93-2436	Decal - Leak Detector	18	23	1
93-2228	Hose - Fuel	32	38	1	93-2438	Clamp - Fuel Tank	17	3	1
93-2229	Hose - Fuel	32	17	1	93-2445	Bracket - Alternator, Lower	32	4	1
93-2232	Decal - Console	10	14	1	93-2446	Bracket - Alternator, Upper	32	5	1
93-2234	Decal - GR3200	7	22	2	93-2448	Housing - Thermostat	19	27	1
93-2235	Tank - Hydraulic	17	6	1	93-2509	Clamp - Tube	25	3	2
93-2236	Mount - Oil Filter	17	10	1	93-2551	Seal - Basket	28	37	2
93-2238	T-Block	25	18	1	93-2551	Seal - Basket	30	38	1
93-2240	Manifold Assembly	13	1	1	93-2552	Retainer	28	36	2
93-2242	Filter Assembly - Oil	17	8	1	93-2552	Retainer	30	37	1
93-2246	Hydraulic Cylinder Assembly	28	1	2	93-2553	Grass Basket Assembly	28	35	2
93-2252	Hose Assembly	20	23	1	93-2553	Grass Basket Assembly	30	36	1
93-2252	Hose Assembly	5	31	1	93-2578	Shroud - Console	8	19	1
93-2254	Hose Assembly	28	24	2	93-2586	Hydrostat	20	16	1
93-2254	Tube - Hydraulic	13	20	2	93-2588	Spacer - Upper	32	28	2
93-2255	Hose Assembly	28	3	1	93-2589	Hub - Pump	20	4	1
93-2255	Hose Assembly	13	26	1	93-3101	Cap - Fuel	16	1	1
93-2255	Hose Assembly	15	36	1	93-3614	Assembly - Cover	27	4	1
93-2256	Hose Assembly	28	4	1	93-3615	Assembly - Drive Shaft	27	7	1
93-2256	Hose Assembly	13	25	1	93-3616	Assembly - Idler Gear	27	6	1
93-2256	Hose Assembly	15	37	1	93-4637	Washer - Flat	16	4	3

\*Not Illustrated

# TORO PART NUMBER INDEX (Cont.)

3318-620

Part No.	Description	Pg. No.	Ref. No.	Qty.	Part No.	Description	Pg. No.	Ref. No.	Qty.
93-4637	Washer - Flat	17	12	4	94-3641	Housing Assembly	22	29	1
93-4637	Washer - Flat	18	29	2	94-3643	Plate - Cam	22	10	1
93-5447	Insert - Threaded	8	28	2	94-3644	Seat	22	20	2
93-6668	Decal - Battery	15	42	1	94-3645	Key	22	1	1
93-6681	Decal - Warning, Fan	19	6	1	94-3646	Key	22	9	1
93-6686	Decal - Hydraulic Oil	8	24	1	94-3652	Cover Assembly	24	21	1
93-6689	Decal - No Rider	8	26	1	94-3653	Bolt	24	26	1
93-7053	Warning Light Cluster	10	5	1	94-3654	Spring - Compression	24	25	1
93-7160	Cap - Hydraulic Oil	18	32	1	94-3661	Seal Kit	14	*	1
93-7252	Decal - CE Mark	8	33	1	94-4353	Hose - Fuel	16	18	1
93-7276	Decal - Danger	15	43	1	94-4398	Kit - Seal, Repair	7	*32	1
93-7494	Cartridge - N.O. Poppet	14	2	2	94-4518	Tube - Hydraulic	17	22	1
93-7498	Plug - Plastic	18	41	1	94-4518	Tube - Hydraulic	13	27	1
93-7629	Pad - Foot Brake	1	22	1	94-4519	Tube - Convolute	15	40	1
93-7840	Decal - Radiator Cap	19	12	1	94-4522	Hose - Breather	19	24	1
93-8062	Decal - Parking Brake	1	5	1	94-4527	Neutral Arm	23	11	1
93-8063	Decal - Warning	5	26	1	94-4528	Plug	19	14	2
93-8064	Decal - Warning	28	29	2	94-4538	Spacer - Mount	32	45	3
93-8064	Decal - Warning	30	29	1	94-4539	Hose Assembly	26	16	1
93-8068	Decal - Steering Arm	5	20	1	94-4539	Hose Assembly	17	27	1
93-8069	Decal - Hot Surface	24	9	1	94-4546	Panel - Extension	8	30	1
93-9051	Decal - Eccentric Bolt	23	28	1	94-4547	Panel - Lower	8	20	1
94-1300	Neutral Lock	2	27	1	94-4548	Bumper	28	7	2
94-1304	Cable - Neutral Lock	11	22	1	94-4548	Bumper	30	34	1
94-1304	Cable - Neutral Lock	2	24	1	94-4929	Kit - Seal	6	*	1
94-1312	Spacer - Pivot	23	5	1	94-5350	Fitting - Bulkhead Tee	26	28	2
94-1316	Bracket - Bulkhead	26	6	1	94-5352	Retainer - Hose	26	29	1
94-1317	Tube - Hydraulic	26	7	1	94-5353	Tube - Hydraulic	26	31	1
94-1317	Tube - Hydraulic	13	15	1	94-5354	Tube - Hydraulic	26	32	1
94-1318	Tube - Hydraulic	25	20	1	94-5355	Hose Assembly	20	26	1
94-1318	Tube - Hydraulic	26	21	1	94-5356	Hose Assembly	20	35	1
94-1319	Tube - Hydraulic	25	21	1	94-5357	Hose Assembly	26	26	2
94-1320	Tube - Hydraulic	25	22	1	94-5357	Hose Assembly - RH	3	7	2
94-1320	Tube - Hydraulic	13	34	1	94-5358	Hose Assembly	26	30	2
94-1321	Tube - Hydraulic	26	20	1	94-5358	Hose Assembly - LH	3	8	2
94-1321	Tube - Hydraulic	25	23	1	94-5359	Bracket - Air Cleaner	24	2	1
94-1325	Push Mount Tie	15	16	2	94-5438	Seal - Solenoid	14	19	8
94-1328	Hose Assembly	26	8	1	94-6351	Cartridge - Relief 150 psi	14	13	1
94-1331	Hose Assembly	13	30	1	94-6352	Plug - Cavity	14	18	1
94-1332	Hose Assembly	20	27	1	94-6353	Cartridge Valve Assembly	14	15	1
94-1332	Hose Assembly	13	33	1	94-6354	Plug - Orifice	14	14	1
94-1348	Hose - Tank, Recovery	16	17	1	94-6357	Hydraulic Cylinder Assembly	30	2	1
94-1350	Harness - Leak Detector	18	22	1	94-6359	Shaft - Drive	22	2	1
94-1353	Handle	11	7	1	94-6360	Plate - Valve	22	13	1
94-1364	Plate	16	13	1	94-6361	Back Plate Assembly	22	16	1
94-1369	Spring - Ext.	23	17	1	94-6362	Seal Repair Kit	22	*	1
94-1371	Spacer	2	11	1	94-6363	Bearing	22	3	1
94-1372	Bracket - Mow	2	20	1	94-6366	Cover - Steering Valve	5	16	1
94-1373	Bracket - Lock	2	19	1	94-6368	Bearing	22	14	1
94-1374	Trunion Mow Bracket	2	22	1	94-6370	Alternator Guard Assembly	19	29	1
94-1375	Trunion Lock Bracket	2	21	1	94-6383	Hose Assembly	20	44	1
94-1378	Tube - Handle Pivot	11	11	1	94-6384	Hose Assembly	20	25	1
94-1383	Pedal Pivot	2	12	1	94-6385	Valve - Relief	20	40	1
94-1386	Shaft - Pedal Lock	2	23	1	94-6386	Cartridge - Relief Valve	20	47	1
94-1414	Valve	24	22	1	94-6391	Gear Pump - 2 Section	20	28	1
94-2579	Decal - Toro	8	27	1	94-6399	Plate - Floor	2	9	1
94-2627	Cartridge	14	3	1	94-6953	Console	10	1	1
94-2690	Filter - Fuel	16	11	1	94-8153	Muffler	24	7	1
94-3011	Plug	21	18	1	94-8155	Bracket - Bulkhead	26	14	1
94-3452	Pin - Cylinder	30	21	1	94-8156	Shield - Dust	32	47	1
94-3457	Sender - Temperature	32	3	1	94-8158	Screw - Cap	21	11	8
94-3474	Pad - Thermal	16	25	1	94-8160	Washer	21	17	4
94-3477	Hose Assembly	13	22	1	94-8161	Kit - Seal Repair	21	*	1
94-3477	Hose Assembly	30	26	1	94-8165	Plate - Mounting	18	6	1
94-3483	Pull Arm	30	9	1	94-8166	O-Ring	18	42	2
94-3483	Pull Arm	28	13	2	94-8167	Hose Assembly	20	37	1
94-3486	Plate	23	34	1	94-8174	Hose - Pump Inlet	20	24	1
94-3488	Pump Lever	23	6	1	94-8178	Seal Kit	4	*	1
94-3489	Screw - HH	2	26	1	94-8188	Clamp - Hose	32	49	1
94-3491	Bracket - Spring	23	19	1	94-8196	Washer - Nylon	23	39	2

\*Not Illustrated

# TORO PART NUMBER INDEX (Cont.)

Part No.	Description	Pg. No.	Ref. No.	Qty.	Part No.	Description	Pg. No.	Ref. No.	Qty.
94-8197	Tube - Pivot	23	2	1	237-65	O-Ring	13	16	3
94-8198	Carrier Pin Assembly	28	6	2	237-65	O-Ring	26	27	3
94-8199	Tube - Pivot	30	22	1	237-65	O-Ring	3	30	4
94-9600	Brake Latch	1	13	1	237-65	O-Ring	20	32	3
94-9603	Cable Support	23	9	1	237-78	O-Ring	13	23	7
94-9607	Hose - Formed	17	21	1	237-78	O-Ring	26	24	1
94-9608	Hose - Radiator	19	2	1	237-78	O-Ring	25	30	4
94-9609	Bushing - Straight	23	10	1	237-78	O-Ring	28	30	4
94-9610	Bushing - Flange	30	6	2	237-78	O-Ring	7	30	2
94-9610	Bushing - Flange	28	10	4	237-78	O-Ring	30	31	2
94-9623	Radiator Support Asm.	19	8	1	237-78	O-Ring	18	40	1
94-9624	Carrier - LH	28	12	1	237-79	O-Ring	14	11	1
94-9625	Carrier - RH	28	11	1	237-79	O-Ring	26	23	2
94-9626	Center Carrier Assembly	30	7	1	237-79	O-Ring	25	28	4
94-9627	Seat Support Asm	8	4	1	237-79	O-Ring	20	29	3
94-9628	Steering Cover Asm	5	14	1	237-79	O-Ring	5	29	4
94-9629	Muffler Shield Assembly	24	8	1	237-79	O-Ring	13	32	1
94-9647	Ball Joint	30	15	1	237-79	O-Ring	18	36	4
94-9647	Ball Joint	28	20	2	237-80	O-Ring	14	16	2
94-9648	Ball Stud	28	41	2	237-80	O-Ring	13	17	2
94-9648	Ball Stud	30	41	1	237-80	O-Ring	18	19	1
94-9649	O-Ring	18	20	1	237-80	O-Ring	3	31	4
95-0501	Decal - Service	8	25	1	237-81	O-Ring	17	17	3
95-0502	Decal - Service (Danish)	8	25	1	237-81	O-Ring	13	29	1
95-0503	Decal - Service (Dutch)	8	25	1	237-81	O-Ring	20	34	3
95-0504	Decal - Service (Finnish)	8	25	1	237-100	Grommet	8	12	1
95-0505	Decal - Service (French)	8	25	1	237-146	O-Ring	17	26	1
95-0506	Decal - Service (German)	8	25	1	237-156	O-Ring	14	5	9
95-0507	Decal - Service (Italian)	8	25	1	240-3	Grommet - Rubber	26	11	4
95-0508	Decal - Service (Japanese)	8	25	1	240-3	Grommet - Rubber	25	24	4
95-0509	Decal - Service (Norwegian)	8	25	1	240-11	Grommet	16	3	3
95-0510	Decal - Service	8	25	1	240-11	Grommet	17	13	4
95-0511	Decal - Service (Spanish)	8	25	1	240-11	Grommet	18	15	2
95-0512	Decal - Service (Swedish)	8	25	1	242-50	Nut - Lug	3	1	8
217-60	Rim	3	23	2	242-50	Nut - Lug	7	8	4
217-60	Rim	7	23	1	2411-34	Ball Joint	23	26	1
218-446	Washer - Lock	10	15	1	2411-34	Ball Joint	2	29	1
218-447	Nut - Hex.	10	16	1	2411-38	Ball Joint	11	1	1
218-473	Boot - Toggle Switch	18	18	1	2411-38	Ball Joint Assembly	2	7	1
218-498	Nut - Lock	10	24	3	2412-34	Clamp - Hose	19	1	4
218-589	Washer - Lock	10	25	1	2412-34	Clamp - Hose	20	1	2
218-590	Switch - Micro	10	18	2	2412-34	Clamp - Hose	17	25	1
2112-9	Clamp	24	10	2	2412-36	Clamp - Hose	18	8	4
232-24	Stem - Valve	3	22	2	2412-36	Clamp - Hose	16	10	2
232-27	Valve Stem w/Cap	7	29	1	2412-39	Clamp - R	15	39	2
233-42	Knob	11	21	1	2412-41	Clamp - R	16	20	4
233-48	Knob	5	1	1	2412-41	Clamp - R	19	26	1
237-21	O-Ring	13	21	7	2412-92	Clamp - Hose	24	19	2
237-21	O-Ring	26	25	1	2412-92	Clamp - Hose	32	35	1
237-21	O-Ring	25	29	4	2412-92	Clamp - Hose	19	36	1
237-21	O-Ring	30	30	2	2412-98	Clamp - Hose	32	7	3
237-21	O-Ring	28	31	4	2412-98	Clamp - Hose	16	24	3
237-21	O-Ring	7	31	2	2412-104	Clamp - R	15	20	3
237-21	O-Ring	5	35	2	2412-108	Clamp - Hose	19	20	3
237-22	O-Ring	13	19	1	2412-108	Clamp - Hose	16	22	1
237-22	O-Ring	25	25	1	2412-129	Clamp - Hose	17	23	2
237-22	O-Ring	17	28	1	2412-133	Clamp - R	8	17	2
237-22	O-Ring	20	31	6	2412-134	Clamp - R	26	15	2
237-30	O-Ring	26	22	2	2412-137	Clamp - Tube, Double	26	34	1
237-30	O-Ring	25	27	4	251-259	Bearing - Ball	23	16	1
237-30	O-Ring	20	30	1	251-259	Bearing - Ball	11	19	1
237-30	O-Ring	13	31	1	252-66	Bearing - Thrust	22	32	1
237-42	O-Ring	14	7	6	252-71	Race - Bearing	22	31	2
237-42	O-Ring	13	18	1	252-95	Bearing - Thrust	22	8	2
237-42	O-Ring	25	26	1	253-111	Seal - Shaft	7	24	2
237-42	O-Ring	17	29	1	254-61	Bearing - Cup	7	19	2
237-42	O-Ring	5	36	1	254-70	Bearing Cone	7	18	2
237-42	O-Ring	20	39	2	254-78	Cone - Bearing	7	25	2
237-58	O-Ring	17	20	1	254-79	Cup - Bearing	7	26	2
237-58	O-Ring	13	28	1	256-311	Bushing - Straight	11	8	1

AROTOTYPE

\*Not Illustrated

# TORO PART NUMBER INDEX (Cont.)

3318-620

Part No.	Description	Pg. Ref. No. No. Qty.	Part No.	Description	Pg. Ref. No. No. Qty.
256-311	Bushing - Straight	2 13 4	3256-26	Washer - Flat	5 11 2
281-10	Plug - Pipe	17 5 1	3256-26	Washer - Flat	32 31 8
282-2	Clevis	1 19 2	3256-27	Washer - Flat	1 24 2
283-8	Pin - Clevis	30 3 1	3256-77	Washer - Flat	8 7 6
283-8	Pin - Clevis	28 9 2	3257-42	Key - Woodruff	3 5 2
283-61	Pin - Clevis	1 18 2	3257-42	Key - Woodruff	4 17 1
283-72	Pin - Lynch	8 9 1	3269-15	Rivet - Pop	19 21 8
283-87	Pin - Clevis	1 23 2	3272-6	Pin - Cotter	1 20 2
285-17	Plug	24 20 1	3272-11	Pin - Cotter	30 16 1
302-5	Fitting - Grease	2 38 1	3272-11	Pin - Cotter	28 23 2
302-5	Fitting - Grease, Str.	7 21 1	3272-11	Pin - Cotter	1 25 2
302-55	Fitting - Grease	7 27 1	3272-37	Pin - Cotter	7 2 1
302-60	Fitting - Grease 90°	30 32 1	3273-26	Screw - HSH	11 6 2
302-60	Fitting - Grease 90°	28 33 2	3273-26	Screw - HSH	10 11 4
302-60	Fitting - Grease, 90°	7 11 2	3274-1	Screw - HH	20 20 2
304-73	Fitting - Hose Barb	19 3 2	3274-12	Screw - HSH	8 29 4
322-2	Screw - HH	8 2 2	3274-39	Screw - HSBH	8 6 9
323-4	Screw - HH	5 18 2	3274-39	Screw - HSBH	5 13 6
323-4	Screw - HH	23 20 2	3274-39	Screw - HSBH	18 27 1
323-11	Screw - HH	32 19 3	3274-63	Screw - HSBH	5 7 2
325-4	Screw - HH	5 10 2	3274-80	Screw - HSBH	5 21 3
325-4	Screw - HH	28 39 2	3290-55	Rivet - Pop	28 38 16
325-4	Screw - HH	30 40 1	3290-55	Rivet - Pop	30 39 8
325-6	Screw - HH	28 26 2	3290-93	Screw - HH	10 19 4
325-6	Screw - HH	30 27 1	3290-277	Nut - Speed	5 25 6
327-17	Screw - HH	30 24 1	3290-354	Plate - Nut	10 17 2
3210-6	Screw - HH	23 8 1	3290-357	Nut - Flange	32 20 3
3211-2	Screw - HH	28 15 8	3290-378	Tie - Cable	10 12 2
3211-2	Screw - HH	30 25 4	3290-378	Tie - Cable	8 18 1
3213-1	Screw - HH	30 14 1	3290-378	Tie - Cable	19 23 1
3213-1	Screw - HH	28 19 2	3290-378	Tie - Cable	7 33 1
3218-2	Nut - Jam	15 29 2	3290-378	Tie - Cable	26 36 1
3218-5	Nut - Jam	28 27 4	3290-378	Tie - Cable	15 41 2
3218-5	Nut - Jam	30 28 2	3290-378	Tie - Cable	32 46 2
3219-14	Nut - Hex.	2 40 1	3290-415	Rivet - Pop	15 24 2
3219-14	Nut - Jam	11 23 1	3290-488	Boot - Control, Lift	10 20 1
3220-1	Nut - Jam	23 38 1	3290-489	Knob - Control, Lift	10 21 1
3220-1	Nut - Jam	2 39 1	3296-2	Nut - Lock	15 17 2
3220-2	Nut - Jam	1 3 2	3296-4	Nut - Lock Elastic	23 14 1
3220-2	Nut - Jam	23 32 1	3296-12	Nut - Lock	8 8 9
3220-6	Nut - Jam	7 17 4	3296-12	Nut - Lock	18 28 1
3220-20	Nut - Jam	3 15 2	3296-13	Nut - Lock	23 27 1
3241-6	Screw - SQH	20 5 2	3296-13	Nut - Lock	2 30 1
3242-2	Screw - Set	5 22 1	3296-19	Nut - Lock	30 13 1
3253-3	Washer - Spring Lock	19 32 2	3296-19	Nut - Lock	28 18 2
3254-2	Washer - Lock	15 13 1	3296-27	Nut - Lock	11 4 1
3254-2	Washer - Lock, Int	32 6 1	3296-29	Nut - Lock	8 15 4
3256-1	Washer - Flat	25 2 2	3296-29	Nut - Hex	23 25 1
3256-1	Washer - Flat	17 15 2	3296-53	Nut - Hex	30 23 1
3256-1	Washer - Flat	8 23 3	3296-67	Nut - Lock NI	7 9 1
3256-1	Washer - Flat	2 28 2	32105-13	Screw - HH	15 18 2
3256-1	Washer - Flat	18 30 5	32120-8	Ring - Retaining	29 7 1
3256-3	Washer - Flat	20 7 4	32120-8	Ring - Retaining	31 7 1
3256-3	Washer - Flat	32 42 1	32120-72	Ring - Retaining, Ext.	30 18 2
3256-7	Washer - Flat	30 8 1	32121-6	Pin - Roll	30 33 2
3256-22	Washer - Flat	26 19 2	32121-6	Pin - Roll	28 34 4
3256-22	Washer - Flat	19 31 4	32121-7	Pin - Spring	8 11 2
3256-22	Washer - Flat	23 31 1	32121-45	Roll Pin	2 5 1
3256-22	Washer - Flat	15 38 2	32121-50	Pin - Roll	1 7 1
3256-22	Washer - Flat	20 41 2	32128-20	Nut - Lock	2 25 2
3256-23	Washer	19 30 2	32136-9	Nut - Hex	7 1 1
3256-23	Washer - Flat	8 3 4	32144-14	Screw - HH	26 3 6
3256-23	Washer - Flat	3 11 2	32144-14	Screw - HH	17 4 2
3256-23	Washer - Flat	16 14 2	32144-14	Screw - HH	15 5 13
3256-23	Washer - Flat	18 17 2	32144-14	Screw - HH	16 6 7
3256-24	Washer - Flat	15 10 1	32144-14	Screw - HH	19 7 2
3256-24	Washer - Flat	11 14 1	32144-14	Screw - HH	28 8 4
3256-24	Washer - Flat	20 19 4	32144-14	Screw - HH	1 10 5
3256-24	Washer - Flat	2 35 2	32144-14	Screw - HH	2 10 8
3256-24	Washer - Flat	20 46 2	32144-14	Screw - HH	8 21 2

\*Not Illustrated

# TORO PART NUMBER INDEX (Cont.)

Part No.	Description	Pg. No.	Ref. No.	Qty.	Part No.	Description	Pg. No.	Ref. No.	Qty.
32144-14	Screw - HWH	32	48	2	33114-025	Screw - HH	23	22	1
32144-21	Screw - Phillips Pan Head	5	28	2	33114-030	Screw - HH	20	12	2
32144-44	Screw - HWH	28	32	2	33114-030	Screw - HH	3	17	2
32144-44	Screw - HWH	30	35	1	33114-030	Screw - HH	11	20	1
32149-8	Nut - Keps	10	8	2	33114-030	Screw - HH	23	23	1
32149-8	Nut - Keps	11	18	2	33114-090	Screw - HH	18	9	4
32151-13	Ring - Retaining	22	35	1	33115-016	Screw - HH	2	36	1
32151-29	Ring - Retaining	22	30	2	33115-020	Screw - HH	16	16	3
32151-41	Ring - Retaining	27	13	1	33115-020	Screw - HH	17	16	6
32151-104	Ring - Retaining, Ext.	7	12	2	33115-020	Screw - HH	18	24	2
33014-00	Nut - Hex	2	37	1	33115-035	Screw - HH	23	33	3
33023-00	Nut - Lock	1	1	2	33115-040	Screw - HH	15	8	1
33023-00	Nut - Lock	23	1	1	33115-040	Screw - HH	11	12	1
33023-00	Nut - Lock	2	15	2	33115-040	Screw - HH	20	15	2
33023-00	Nut - Lock	20	45	2	33115-050	Screw - HH	32	41	1
33023-00	Nut - Lock NI	15	3	5	33115-090	Screw - HH	2	14	1
33023-00	Nut - Lock NI	25	4	2	33116-060	Screw - HH	3	20	8
33023-00	Nut - Lock NI	32	8	1	33116-130	Screw - HH	32	30	4
33023-00	Nut - Lock NI	26	18	2	33123-016	Screw - Carriage	1	6	2
33023-00	Nut - Lock NI	3	19	8	33124-020	Screw - Carr.	2	6	2
33023-00	Nut - Lock NI	19	28	4	340-2	Fitting - Hydraulic	17	2	1
33023-00	Nut - Lock NI (Europe)	8	32	1	340-2	Fitting - Hydraulic	25	16	1
33024-00	Nut - Lock	1	8	1	340-4	Fitting - Hydraulic	25	8	2
33024-00	Nut - Lock	2	17	4	340-7	Fitting - Hydraulic	13	2	1
33024-00	Nut - Lock	23	21	3	340-8	Fitting - Hydraulic	20	17	2
33024-00	Nut - Lock	26	33	1	340-9	Fitting - Hydraulic	17	7	1
33024-00	Nut - Lock NI	10	3	4	340-9	Fitting - Hydraulic	13	8	1
33024-00	Nut - Lock NI	24	3	4	340-14	Fitting - 45°	3	9	4
33024-00	Nut - Lock NI	11	5	1	340-14	Fitting - Hydraulic	13	35	1
33024-00	Nut - Lock NI	19	9	6	340-17	Fitting - Hydraulic 90°	13	5	1
33024-00	Nut - Lock NI	20	13	2	340-18	Fitting - Hydraulic	20	21	1
33024-00	Nut - Lock NI	32	16	11	340-70	Nut - Bulkhead	26	2	1
33024-00	Nut - Lock NI	3	18	2	340-74	Nut - Bulkhead	26	1	4
33024-00	Nut - Lock NI	18	31	4	340-74	Nut - Bulkhead	25	10	4
33025-00	Nut - Lock	2	33	1	340-77	Fitting - Hydraulic	20	38	1
33025-00	Nut - Lock	23	37	3	340-77	Fitting - Hydraulic 90°	13	6	1
33025-00	Nut - Lock	32	43	1	340-92	Fitting - Hydraulic	25	7	4
33025-00	Nut - Lock NI	15	9	1	340-92	Fitting - Hydraulic	13	9	3
33025-00	Nut - Lock NI	11	13	1	340-92	Fitting - Hydraulic	26	12	1
33025-00	Nut - Lock NI	20	14	2	340-94	Fitting - Tee	20	43	1
33026-00	Nut - Lock NI	32	32	4	340-98	Fitting - Hydraulic 90°	20	3	1
33113-008	Screw - HH	11	3	2	340-98	Fitting - Hydraulic 90°	25	6	2
33113-008	Screw - HH	25	19	1	340-98	Fitting - Hydraulic 90°	26	13	2
33113-016	Screw - HH	15	12	3	340-103	Fitting - Hydraulic 45°	13	10	1
33113-016	Screw - HH	26	17	2	340-115	Fitting - Tee	20	36	1
33113-016	Screw - HH	17	18	2	340-132	Fitting - Hydraulic	7	15	2
33113-016	Screw - HH	18	21	5	340-132	Fitting - Hydraulic 90°	30	1	1
33113-016	Screw - HH	19	22	4	340-132	Fitting - Hydraulic 90°	28	2	4
33113-016	Screw - HH	8	22	3	340-132	Fitting - Hydraulic 90°	13	7	1
33113-016	Screw - HH	32	26	5	340-133	Fitting - Hydraulic	5	17	2
33113-020	Screw - HH	3	16	8	340-138	Fitting - Hydraulic 45°	13	3	1
33113-025	Screw - HH	19	15	2	340-139	Fitting - Hydraulic 90°	20	18	1
33113-030	Screw - HH	23	3	1	340-140	Tee - Hydraulic	13	11	1
33113-030	Screw - HH (Europe)	8	31	1	353-599	Pin-Dowel	27	3	2
33113-050	Screw - HH	25	1	2	353-988	Plug	17	19	1
33113-050	Screw - HH	20	42	2	353-988	Plug	20	22	1
33113-070	Screw - HH	15	2	2	353-988	Plug	14	10	1
33114-016	Screw - HH	32	9	1	353-989	Plug	14	6	6
33114-016	Screw - HH	13	12	2	353-990	Plug	18	39	1
33114-016	Screw - HH	16	15	2	353-991	Plug	25	5	1
33114-016	Screw - HH	2	32	4	353-991	Plug	14	4	9
33114-020	Screw - HH	10	2	4	354-46	Ring-Seal	27	8	1
33114-020	Screw - HH	24	4	6	354-50	Screw-Hex Socket Hd.	27	1	4
33114-020	Screw - HH	1	9	1	354-51	Washer	27	2	4
33114-020	Screw - HH	20	11	5	354-70	Plug	14	17	2
33114-020	Screw - HH	19	18	6	354-73	Fitting - Hydraulic	17	9	2
33114-020	Screw - HH	23	24	1	354-78	Fitting - Barb	17	1	1
33114-020	Screw - HH	26	35	1	354-120	Fitting - Barb	18	13	2
33114-020	Screw - HHF	32	15	19	354-121	Fitting - Barb	18	10	2
33114-025	Screw - HH	24	13	4					

\*Not Illustrated

## PRODUCT CHANGES

In an effort to make improvements available to TORO owners as quickly as possible, minor changes are incorporated into Toro's products from time to time that do not become immediately shown in the Parts Catalog. If such a change has been made in your unit, which is not reflected in your manual, see your TORO Distributor or his Authorized TORO Service Dealer for information and part numbers.

## IDENTIFICATION AND ORDERING

### MODEL AND SERIAL NUMBERS

The Greensmaster 3200 has two identification numbers; a model number and a serial number. The two numbers are stamped on a plate which is located on the main frame under the seat. In any correspondence concerning the Greensmaster 3200, supply model and serial numbers to assure that correct information and replacement parts are obtained.

To order replacement parts from an Authorized TORO Service Dealer, supply the following information:

1. Model and serial number of the Greensmaster 3200.
2. Part number, description, and the quantity of part(s) desired.

**NOTE:** Do not order by reference number if a parts catalog is being used; use the PART NUMBER.

## TABLE OF CONTENTS

Description	Page	Description	Page
Frame & Brake Pedal Assembly	1	Radiator Assembly	19
Floor Panel & Traction Pedal Assembly	2	Hydraulic Pump & Hydrostat Assembly	20
Front Wheel & Brake Assembly	3	Gear Pump Assembly No. 94-6391	21
Hydraulic Drive Motor Assembly No. 92-9199	4	Hydrostat Assembly No. 93-2586	22
Steering Arm Assembly	5	Neutral System Assembly	23
Steering Control Valve No. 93-9120	6	Muffler & Air Cleaner Assembly	24
Rear Wheel Assembly	7	Reel Motor Installation Assembly - R.H. & L.H.	25
Seat Assembly	8	Reel Motor Installation Assembly - Rear	26
Electrical Schematic	9	Reel Motor Assembly No. 93-1375	26
Control Panel Assembly	10	Pull Frame Assembly - R.H. & L.H.	28
Traction Handle Assembly	11	Hydraulic Cylinder No. 93-2246	29
Hydraulic Schematic	12	Pull Frame Assembly - Rear	30
Manifold Installation Assembly	13	Hydraulic Cylinder No. 94-6357	31
Manifold Assembly No. 93-2240	14	Engine Installation Assembly	32
Battery & Controller Assembly	15	Briggs & Stratton Engine Assembly	
Fuel System Assembly	16	Model 433447	33-44
Hydraulic Reservoir Assembly	17	TORO Part Number Index	45-50
Leak Detector Assembly	18		

PROTOTYPE

