



Count on it.

Parts Catalog

MH-400EH2 Material Handler

Model No. 44934—Serial No. 312000001 and Up

Ordering Replacement Parts

To order replacement parts, please supply the part number, the quantity, and the description of each part desired.

Understanding Reference Numbers

Each identified part in an illustration has a reference number. The reference number for a part also appears in the parts list, along with other information about the part.

This catalog uses two special reference number formats, one to indicate parts in a service assembly and another to indicate the quantity of a given part in an illustration.

Service Assembly Reference Numbers

Parts in service assemblies have reference numbers in the form a:b. The a represents the reference number of the entire service assembly and the b represents a sequential number unique to each part within the service assembly.

For example, a wheel assembly might be identified by reference number 6, the tire by 6:1, the valve by 6:2, and the wheel by 6:3. When you order the assembly identified by reference number 6, you receive all parts identified by reference numbers 6:1, 6:2, and 6:3. However, you may also order any part individually. Reference numbers of this type appear in illustration and in parts lists.

Reference Numbers Indicating Quantity

In an illustration, if a reference number indicates more than one part, the reference number has the form nX y. The n represents the quantity of the part, the X is the multiplication symbol, and the y represents the reference number.

For example, in an illustration, the reference number 2X 37 means that two of the parts identified by reference number 37 are indicated.

List of Abbreviations

AR: as required

ASM: assembly

BBC: blade brake control

BHTF: button head thread forming

CARR: carriage

CCW: counter clockwise

CW: clockwise

DEG: degrees

DPA: Dual Point Adjustment

ECM: electronic control module

EXT: external

FH: flat head

GA: gauge

HD: heavy-duty

HF: hex flange

HH: hex head

HHF: hex head flange

HHFTF: hex head flange thread forming

HJ: hex jam

HLH: hex lag head

HOC: height-of-cut

HSBH: hex socket button head

HSFH: hex socket flat head

HSH: hex socket head

HWH: hex washer head

HWHTF: hex washer head thread forming

HYD: hydraulic

LH: left hand

LP: Liquid Propane

NI: nylon insert

NPTF: national pipe thread fine

PFH: phillips flat head

PPH: phillips pan head

PPHTF: phillips pan head thread forming

PRH: phillips round head

PTH: phillips truss head

PTO: power-take-off

RH: right hand

ROPS: roll-over protection system

RRB: rear roller brush

SFH: slotted fillister head

SHH: slotted hex head

SHWH: slotted hex washer head

SPH: slotted pan head

SQH: square head

SRH: slotted round head

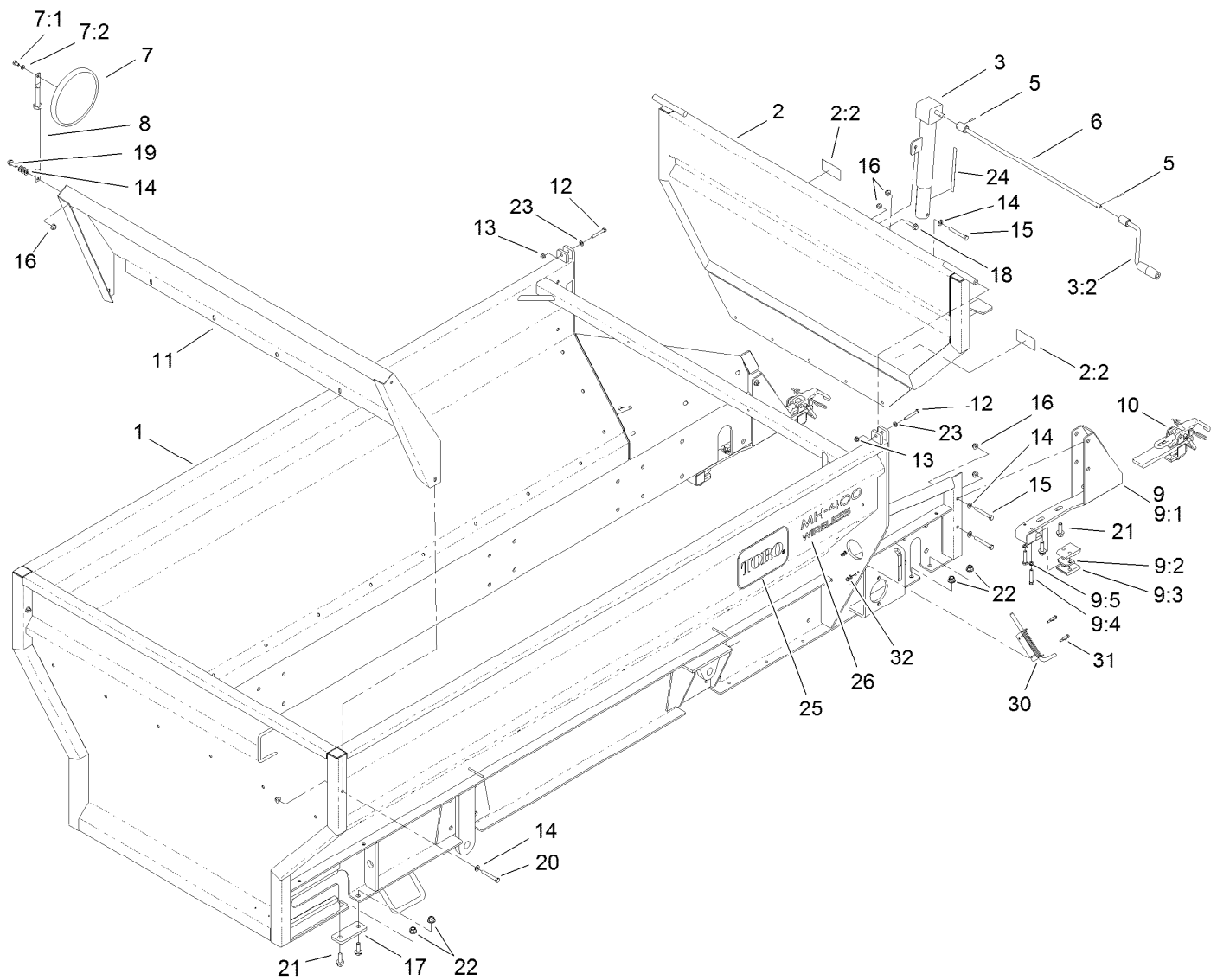
STD: standard

TAP: self tapping

TTH: torx truss head

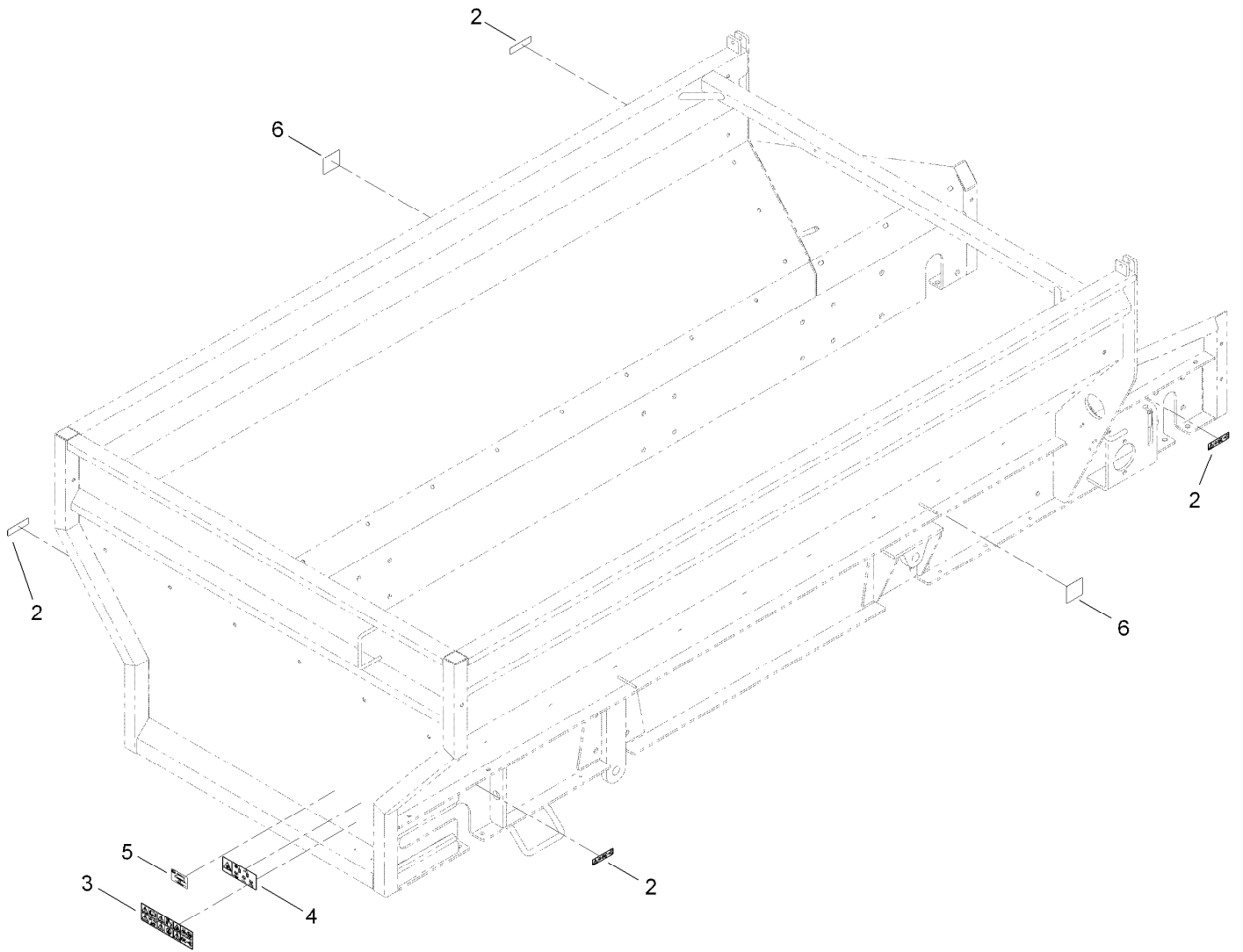
Contents

Box Frame Assembly	4
Box Frame Decal Assembly No. 120-0890	5
Attachment Clamp Assembly No. T36015800	6
Guard Assembly	7
Hitch Assembly	8
Belt and Skirting Assembly	9
Skirting Assembly	10
Conveyor Assembly	11
Chain Drive Assembly	12
Chain and Sprocket Assembly	13
Wheel Assembly	14
RH Shaft Assembly No. 120-9401	15
LH Brake Assembly No. 120-9437	16
Hub Assembly No. 120-9404	17
LH Shaft Assembly No. 120-9402	18
RH Brake Assembly No. 120-9436	19
Hydraulic Manifold Block and Fitting Assembly	20
Hydraulic Block Assembly No. T0000-7792	21
Hydraulic Motor and Hose Assembly	22
Hydraulic Motor Assembly No. T0000-5303	23
Hydraulic Cylinder and Manifold Block Assembly	24
Block Guard and Hose Assembly	25
Wireless Base and Emergency Stop Assembly	26
Wireless Remote Mounting Assembly	27
Brake Electric Assembly	28



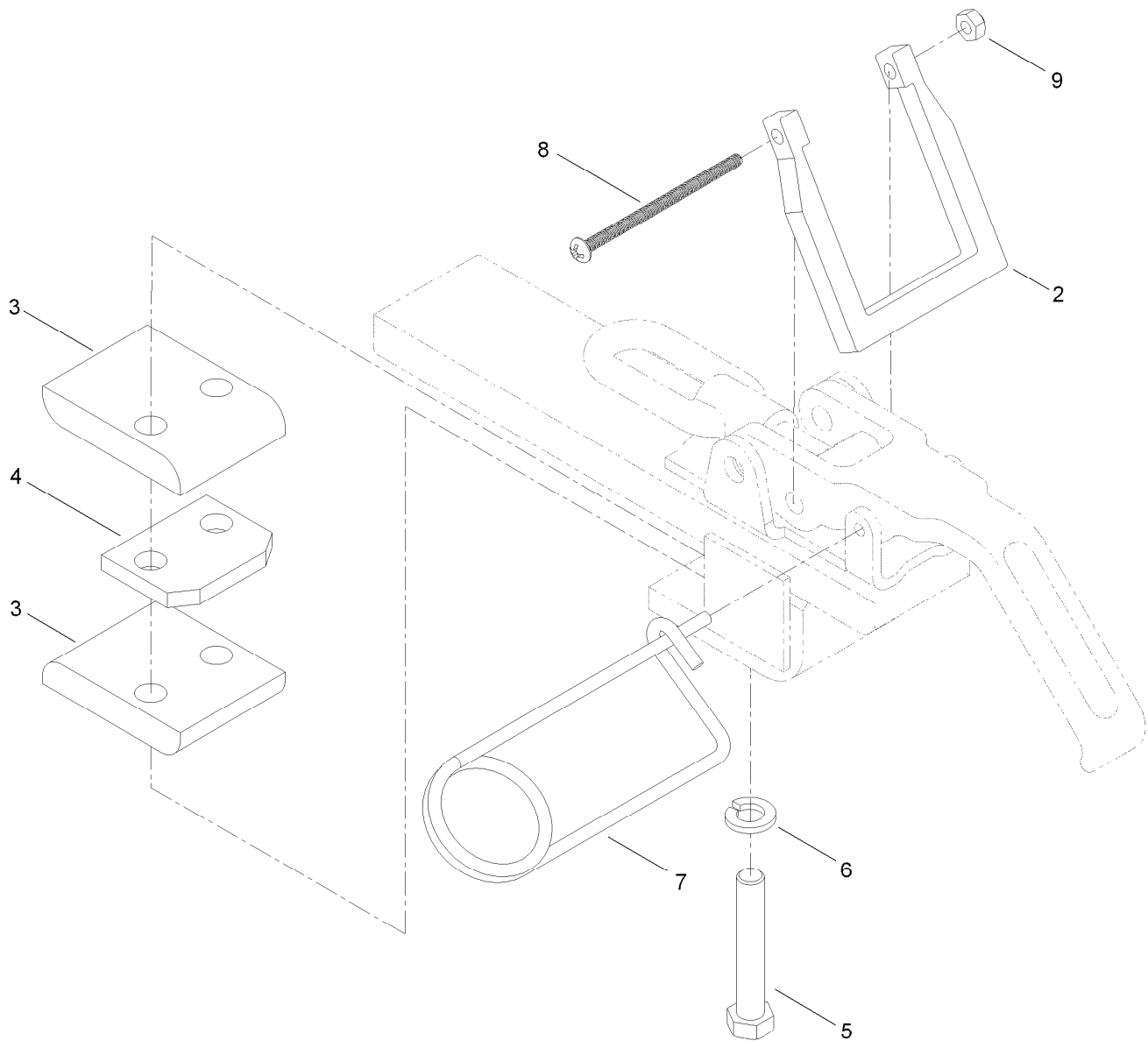
Box Frame Assembly

Ref.	Part Number	Qty.	Description	Ref.	Part Number	Qty.	Description
1	120-0890	1	Box Frame ASM	12	322-11	2	Screw-HH
2	120-0891	1	Tailgate ASM	13	104-8300	2	Nut-Flange, NI
2:2	119-6838	2	Decal-Warning, Conveyor	14	3256-24	10	Washer-Flat
3	T36031200	1	Jack-Tailgate	15	323-14	5	Screw-HH
3:2	T36031210	1	Handle-Crank	16	104-8301	14	Nut-Flange, NI
5	32121-45	2	Pin-Spring	17	T36011650	2	Bar-Bridge
6	T36011220-01	1	Jack Crank ASM	18	114-4681	1	Screw-HHF
7	92-2678	1	Mirror-Convex	19	3234-42	6	Screw-HHF
7:1	322-2	1	Screw-HH	20	323-13	2	Screw-HH
7:2	3253-4	1	Washer-Lock	21	100-6116	8	Screw-HHF
8	T36011560	1	Arm-Mirror	22	99-5107	8	Nut-Lock
9	T36015790	2	Attachment Bracket ASM	23	3256-23	2	Washer-Flat
9:1	119-6872-01	1	Bracket-Attachment	24	119-6869	1	Decal-Tailgate Adjustment
9:2	T01-13489B	1	Tab-Spacer	25	66-6140	3	Decal
9:3	T36015200	2	Bar-Bearing	26	119-6803	3	Decal-Wireless
9:4	323-10	2	Screw-HH	30	T62021030	2	Latch-Spring
9:5	3253-21	2	Washer-Lock	31	321-6	8	Screw-HH
10	T36015800	2	Attachment Clamp ASM	32	104-7201	8	Nut-HF
11	T36011550-01	1	Sloped Panel ASM				



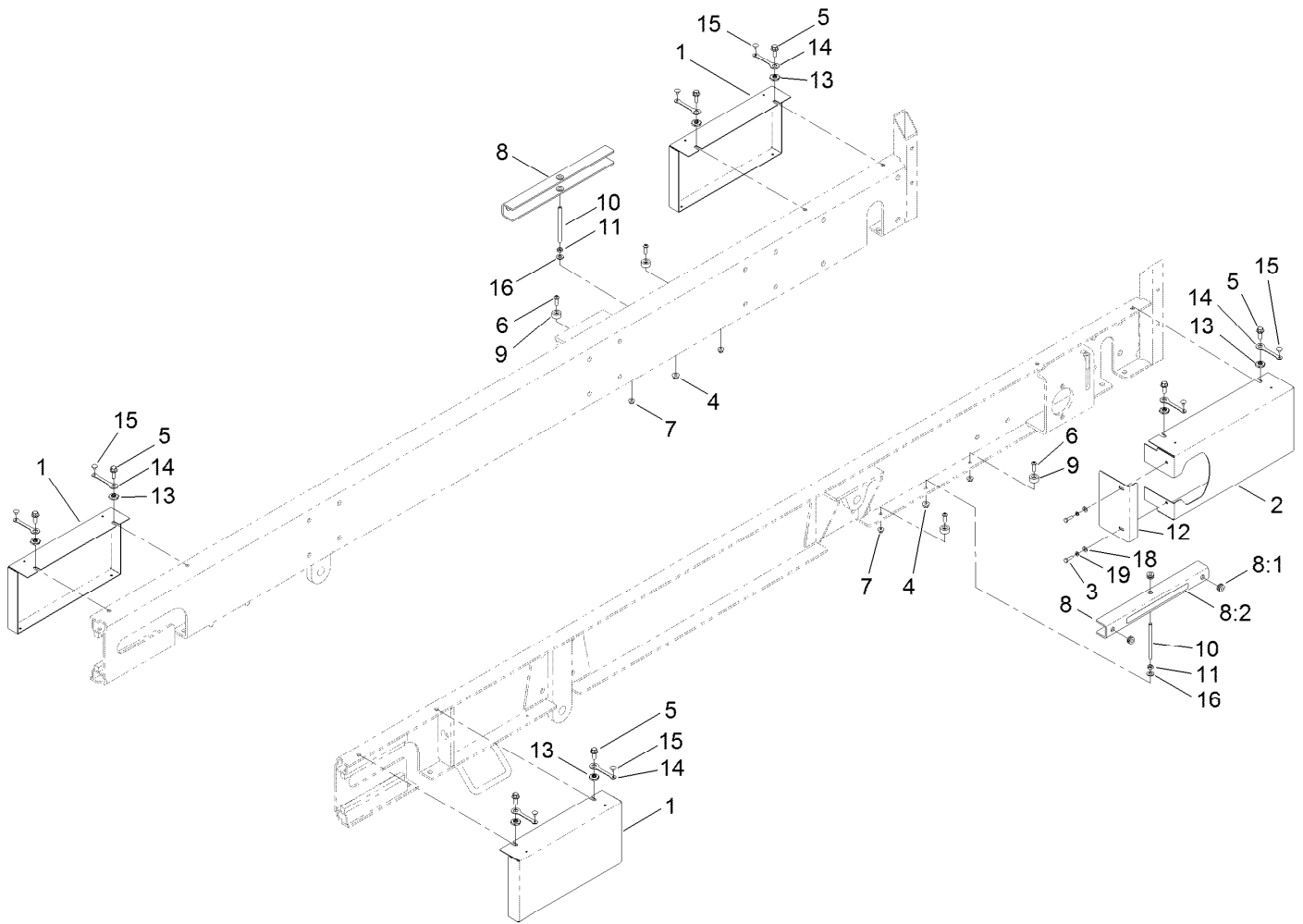
Box Frame Decal Assembly No. 120-0890

<i>Ref.</i>	<i>Part Number</i>	<i>Qty.</i>	<i>Description</i>
2	119-0217	4	Decal-Danger
3	119-6806	1	Decal-Danger, Propass
4	119-6812	1	Decal-Warning, Tipping Hazard
5	119-6833	1	Decal-Max Load
6	93-9899	2	Decal-Warning



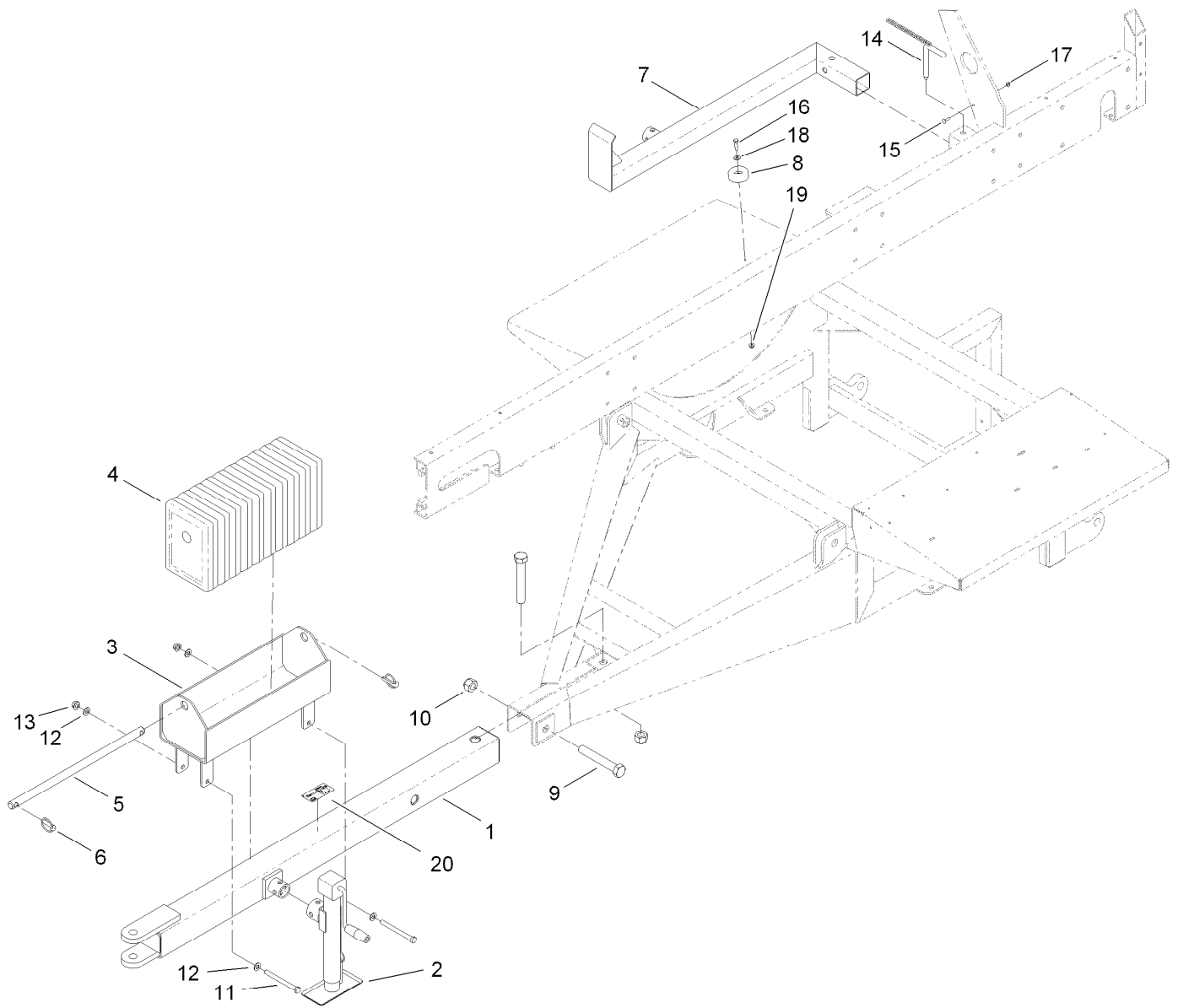
Attachment Clamp Assembly No. T36015800

<i>Ref.</i>	<i>Part Number</i>	<i>Qty.</i>	<i>Description</i>
2	T36015794	1	Lock-Attachment Clamp
3	T36015200	2	Bar-Bearing
4	T01-13489B	1	Tab-Spacer
5	323-11	2	Screw-HH
6	3253-21	2	Washer-Lock
7	T0000-3247	1	Pin-Lock
8	120-0884	1	Screw-PRH
9	3296-2	1	Nut-Lock, NI



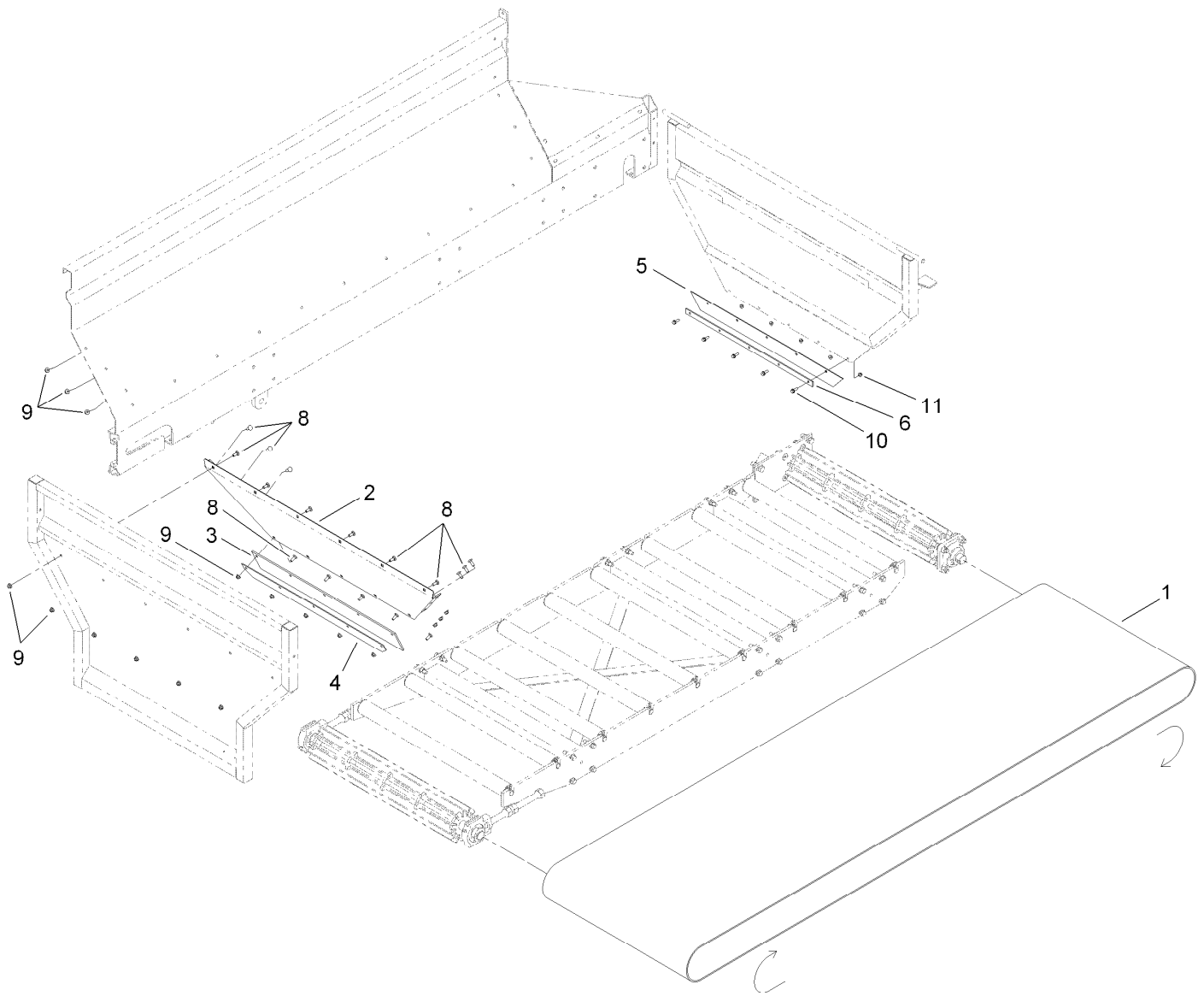
Guard Assembly

<i>Ref.</i>	<i>Part Number</i>	<i>Qty.</i>	<i>Description</i>	<i>Ref.</i>	<i>Part Number</i>	<i>Qty.</i>	<i>Description</i>
1	T36011630-03	3	Guard-Idler	9	T0001-3570	4	Spacer-Stop, Lift Cylinder
2	T36011640-03	1	Drive Guard ASM	10	T36011590	2	Pin-Lift Cylinder Stop
3	321-5	2	Screw-HH	11	3218-3	2	Nut-Jam
4	104-8301	2	Nut-Flange, NI	12	T0000-5529-03	1	Guard-Motor, Drive
5	3234-42	8	Screw-HHF	13	117-8347	8	Nut-Shoulder
6	3274-104	4	Screw-HSBH	14	117-8339	8	Lanyard-3 Inch
7	104-8300	4	Nut-Flange, NI	15	146489	8	Rivet
8	T36011580	2	Lift Cylinder Stop ASM	16	3256-24	2	Washer-Flat
8:1	92-5972	4	Grommet-Rubber	18	3256-22	2	Washer-Flat
8:2	93-9852	1	Decal-Warning	19	3253-3	2	Washer-Lock



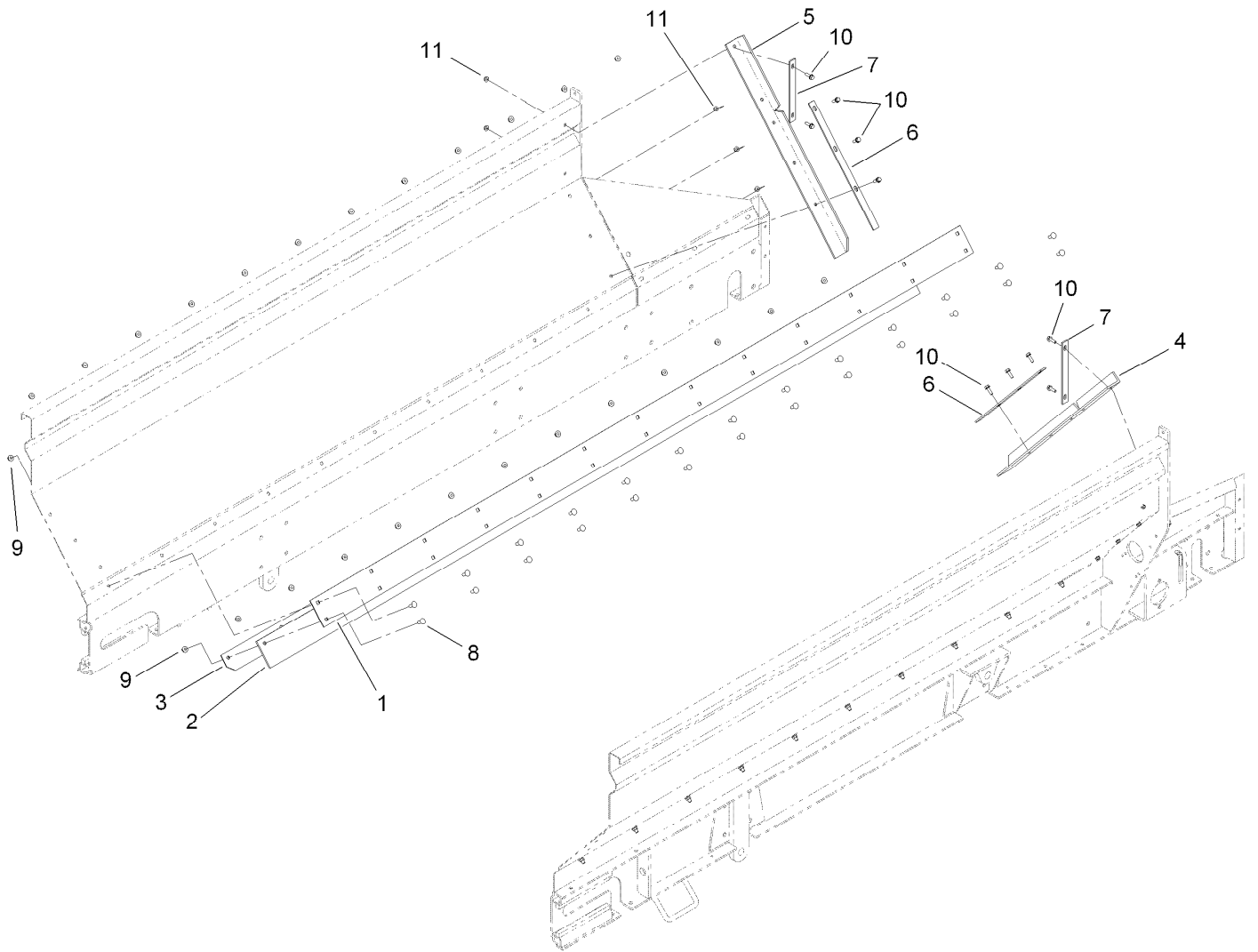
Hitch Assembly

<i>Ref.</i>	<i>Part Number</i>	<i>Qty.</i>	<i>Description</i>	<i>Ref.</i>	<i>Part Number</i>	<i>Qty.</i>	<i>Description</i>
1	T36012112-01	1	Tube-Hitch	12	3256-26	4	Washer-Flat
2	T0000-3423	1	Jack-Sidewind	13	99-5107	2	Nut-Lock
3	T36028000-01	1	Weight Box ASM	14	T36011195	1	Pin ASM
4	119-6860-01	10	Casting-Counterweight	15	3229-2	1	Screw-CARR
5	T36028010-01	1	Shaft-Weight Box	16	322-6	1	Screw-HH
6	283-71	2	Pin-Lynch	17	104-7201	1	Nut-HF
7	T36011190-01	1	Jack Leg ASM	18	3256-3	1	Washer-Flat
8	108-1605	1	Bumper-Recess	19	104-8300	1	Nut-Flange, NI
9	120-0887	2	Screw-HH	20	119-6836	1	Decal-Propass, Weight Case
10	120-0888	2	Nut-HH				
11	325-22	2	Screw-HH				



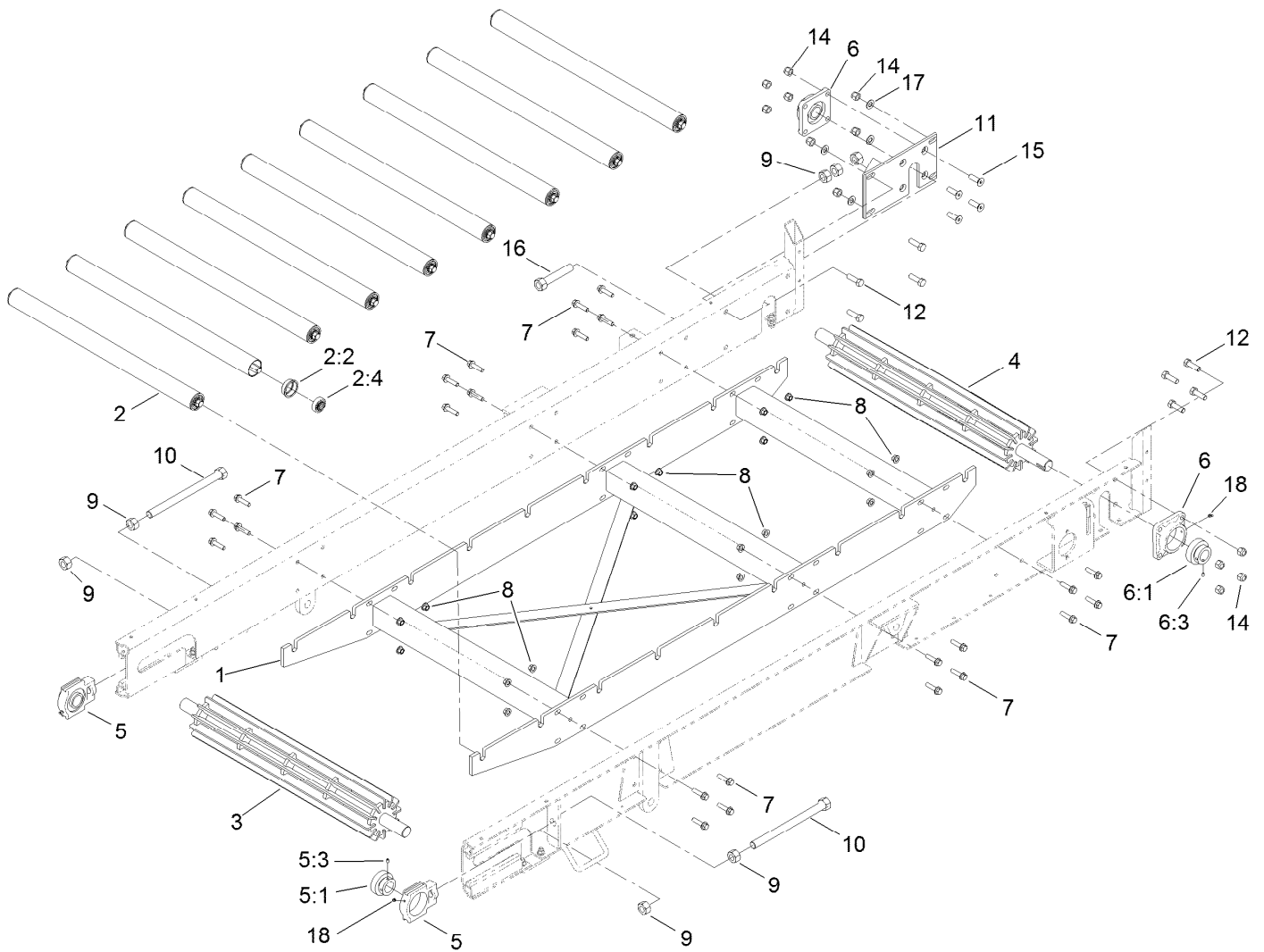
Belt and Skirting Assembly

Ref.	Part Number	Qty.	Description
1	T60191215	1	Belt-Endless
2	T36011525-01	1	Sloped Panel ASM
3	T01-22002B	1	Skirt-Front Seal, Rubber
4	T36011535-01	1	Bar-Front Seal
5	T36013010	1	Seal-Belt
6	T36011230-01	1	Retainer-Belt Seal
8	3231-22	17	Screw-CARR
9	104-8301	17	Nut-Flange, NI
10	3234-29	5	Screw-HHF
11	104-8300	5	Nut-Flange, NI



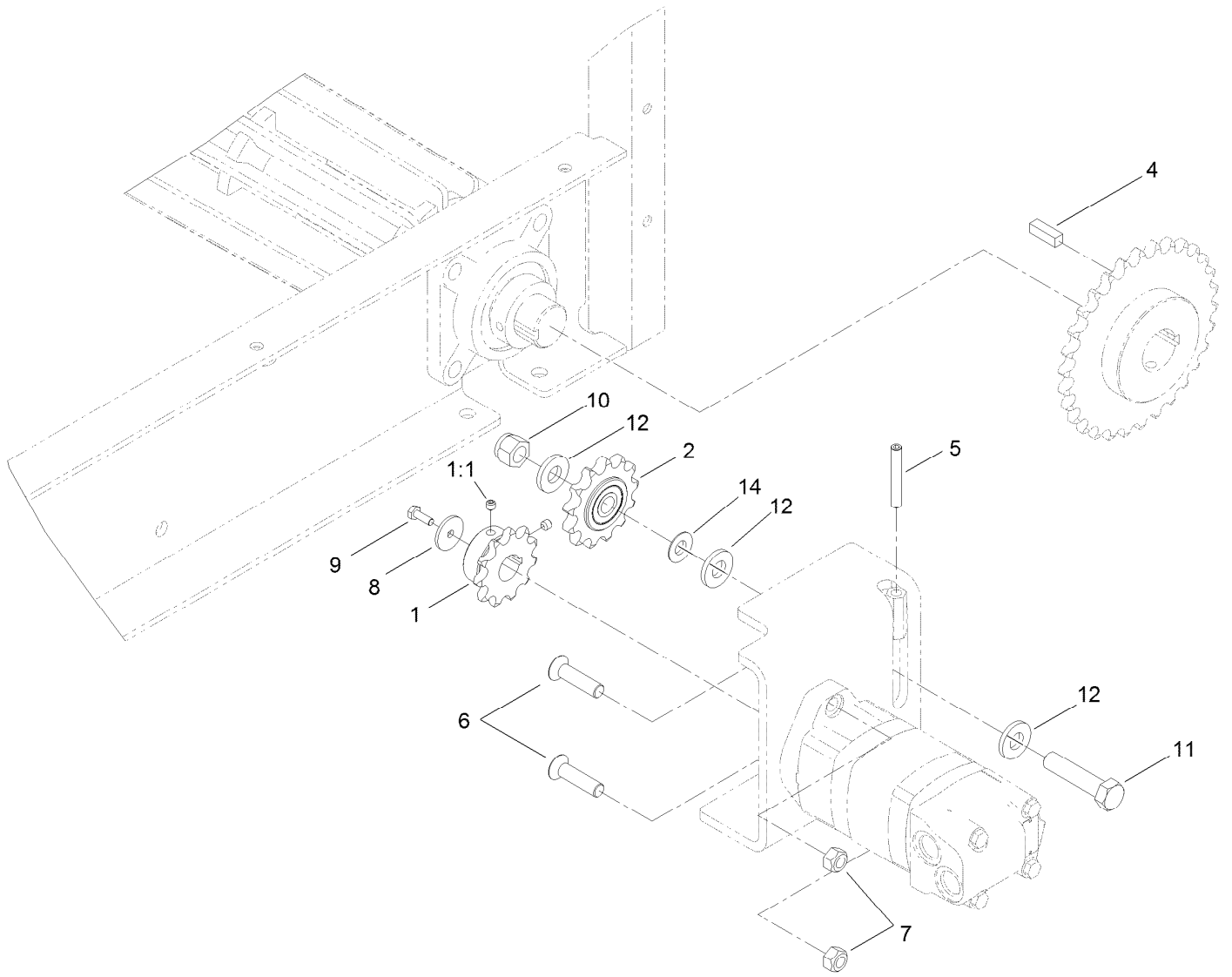
Skirting Assembly

Ref.	Part Number	Qty.	Description
1	T36011520-01	2	Panel-Side Seal
2	T01-22000B	2	Seal-Rubber, Side
3	T36011530-01	2	Bar-Side Seal
4	T36011260	1	Seal-Tailgate, LH
5	T36011270	1	Seal-Tailgate, RH
6	T36011280-01	2	Bar-Seal, Lower
7	T36011290-01	2	Bar-Seal, Upper
8	3231-22	52	Screw-CARR
9	104-8301	52	Nut-Flange, NI
10	3234-29	10	Screw-HHF
11	104-8300	10	Nut-Flange, NI



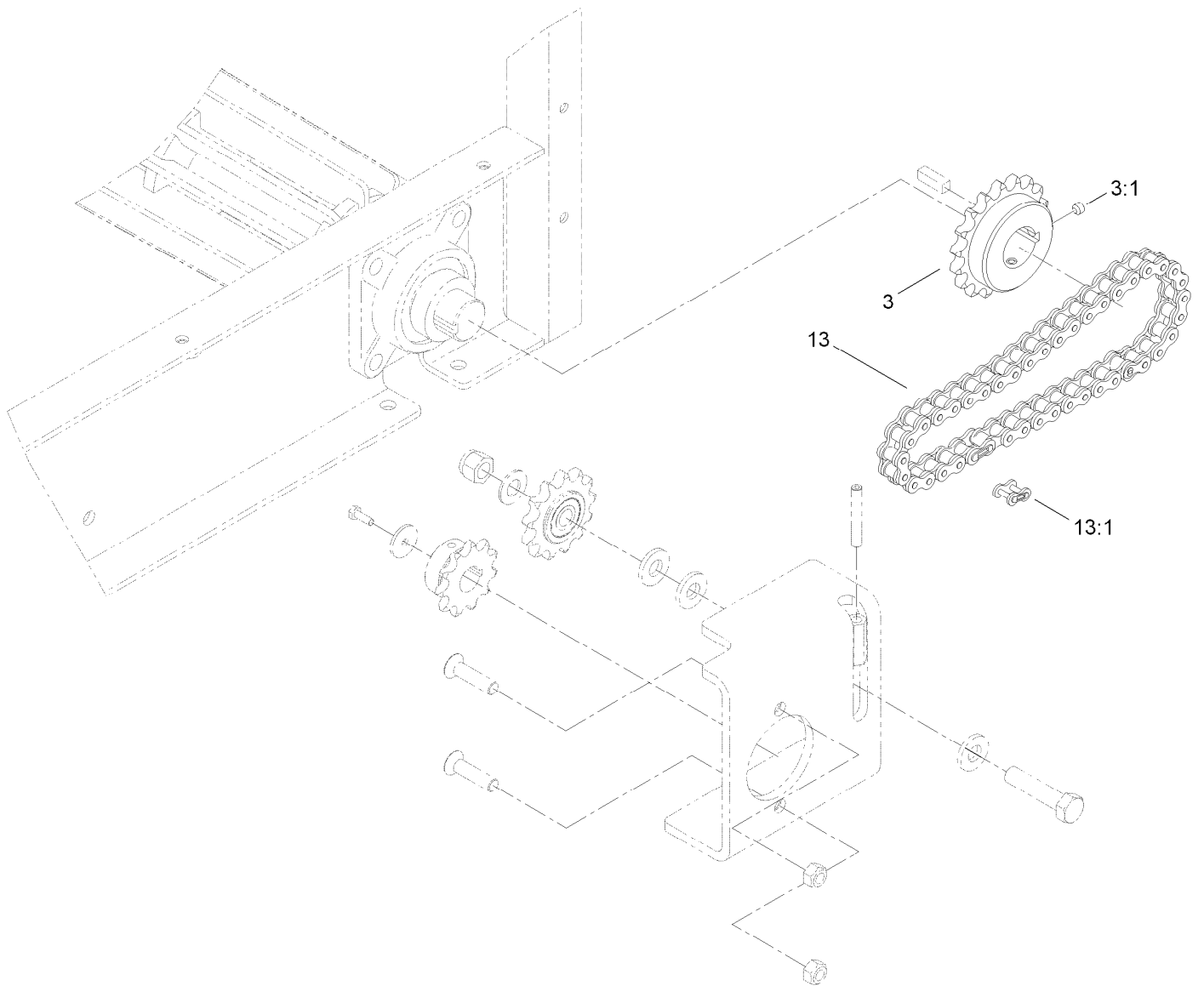
Conveyor Assembly

<i>Ref.</i>	<i>Part Number</i>	<i>Qty.</i>	<i>Description</i>	<i>Ref.</i>	<i>Part Number</i>	<i>Qty.</i>	<i>Description</i>
1	T36011600-01	1	Roller Frame ASM	7	3234-27	24	Screw-HHF
2	T36011680	9	Belt Roller ASM	8	99-5107	24	Nut-Lock
2:2	T36011685	2	Insert-Roller	9	SG330081	7	Nut-Hex
2:4	T60111000	2	Bearing-Ball	10	T36011670	2	Tensioner Rod ASM
3	T36011620-03	1	Idler Roller ASM	11	T36011690	1	Mounting Plate ASM
4	119-6892-03	1	Drive Roller ASM	12	327-6	8	Screw-HH
5	T60114305	2	Take-Up Bearing ASM	14	3296-53	12	Nut-Lock, NI
5:1	120-0817	1	Bearing-Collar, Lock	15	120-0904	4	Screw-HSH
5:3	3246-17	1	Setscrew-HSH	16	T36011675	1	Lock Rod ASM
6	T60116355	2	4-Bolt Bearing ASM	17	3256-27	4	Washer-Flat
6:1	120-0817	1	Bearing-Collar, Lock	18	302-61	4	Fitting-Grease
6:3	3246-17	1	Setscrew-HSH				



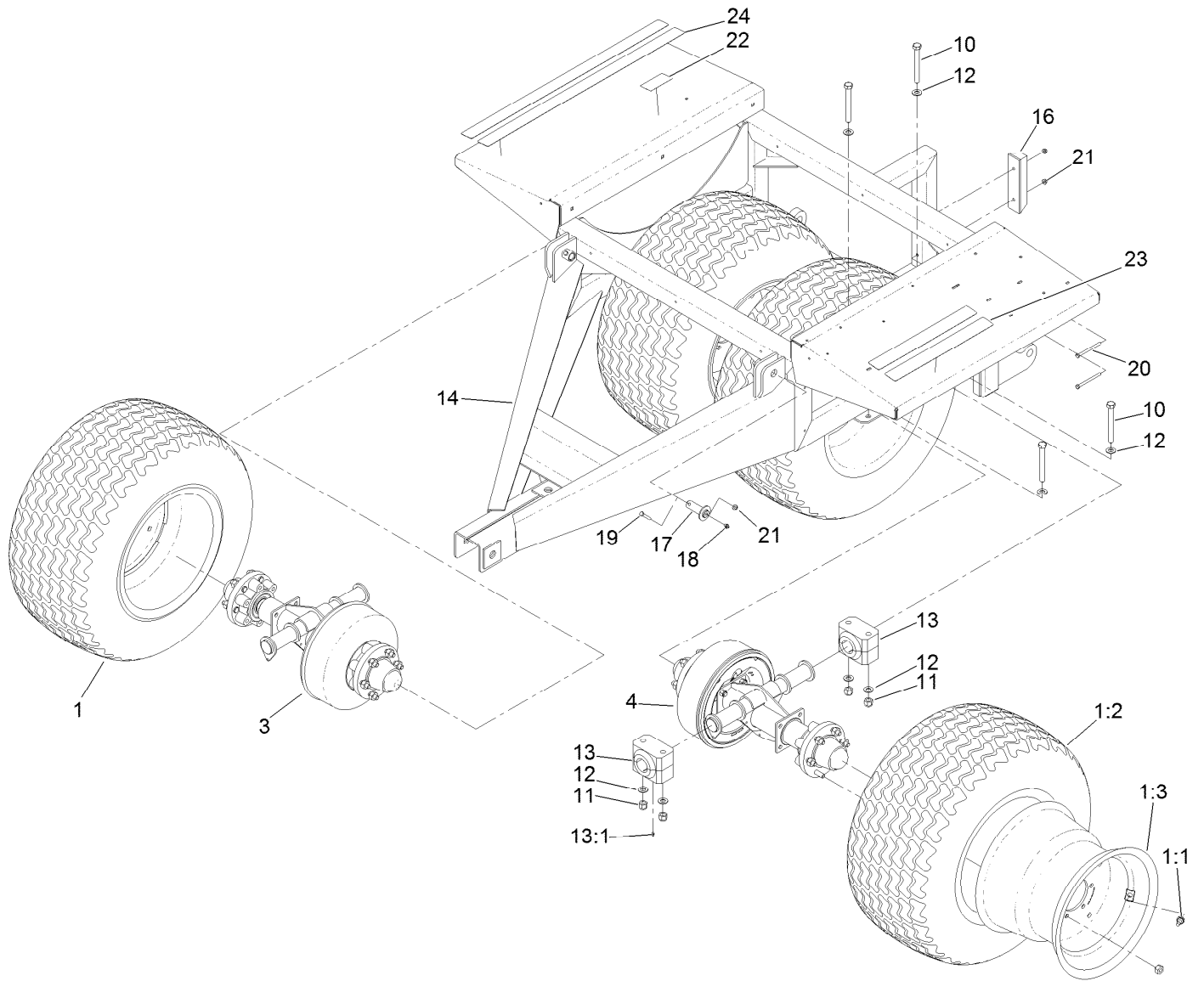
Chain Drive Assembly

<i>Ref.</i>	<i>Part Number</i>	<i>Qty.</i>	<i>Description</i>
1	T60135010	1	Sprocket
1:1	3246-2	2	Screw-Set, HSH
2	T60134090	1	Sprocket
4	T36011810	1	Key
5	120-0909	1	Screw-HSH
6	120-0898	2	Screw-Fhhs
7	97-1206	2	Locknut
8	103995	1	Washer
9	321-4	1	Screw-HH
10	3296-53	1	Nut-Lock, NI
11	327-8	1	Screw-HH
12	99-7667	3	Washer-Flat
14	3256-27	1	Washer-Flat



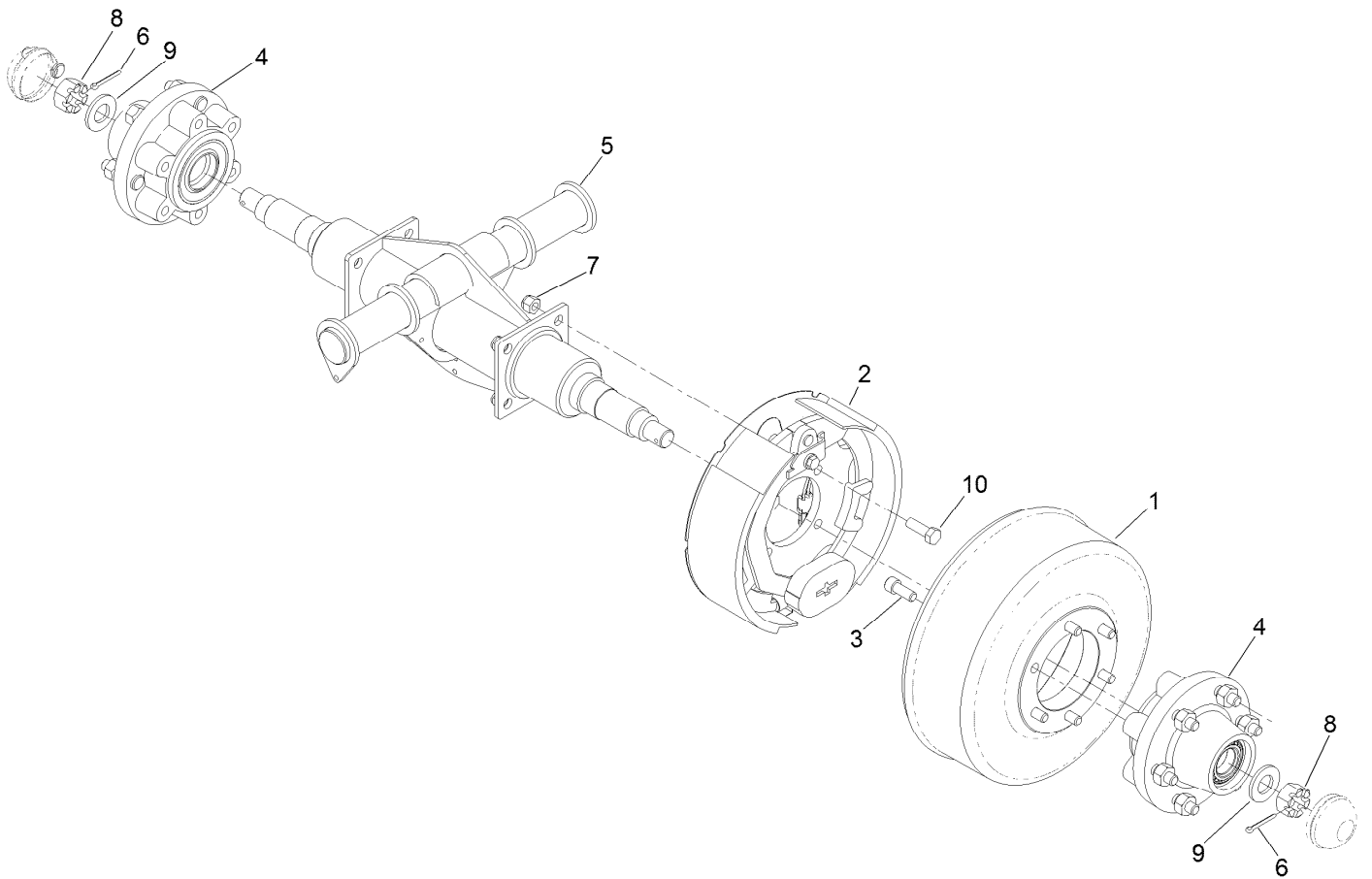
Chain and Sprocket Assembly

<i>Ref.</i>	<i>Part Number</i>	<i>Qty.</i>	<i>Description</i>
3	T0000-8137	1	Sprocket
3:1	3247-2	2	Screw-Set, HSH
13	T36011805	1	Chain-Drive, 33 Inch
13:1	T60151016	1	Link-Connecting, #60



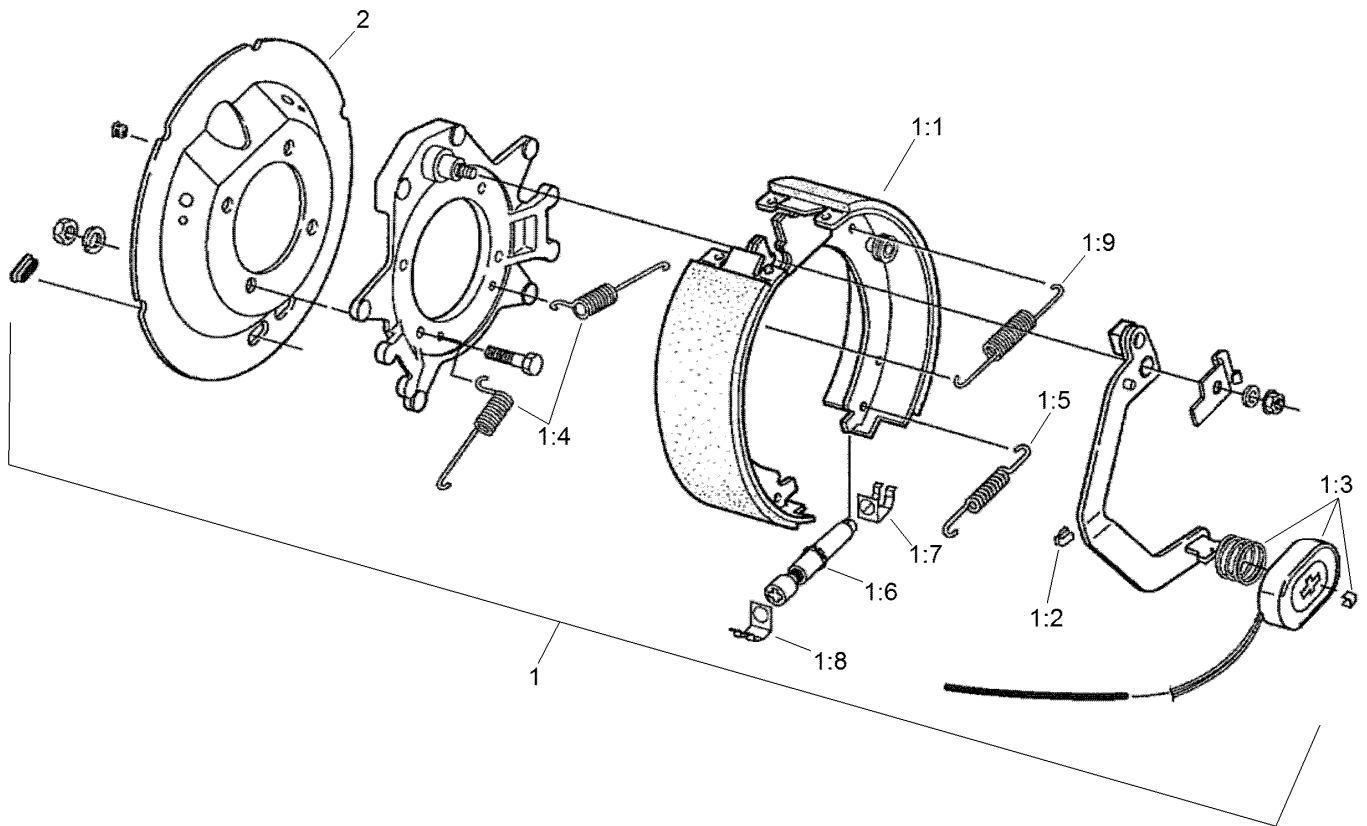
Wheel Assembly

Ref.	Part Number	Qty.	Description	Ref.	Part Number	Qty.	Description
1	T0000-6872	4	Wheel And Tire ASM	14	T01-43164D-01	1	Frame ASM
1:1	T54011022	1	Wheel-Turf	16	T62011021	1	Bumper-Rubber
1:2	T68021100	1	Tire-Turf	17	T36012070-01	2	Pin-Hinge
1:3	232-24	1	Stem-Valve	18	302-2	2	Fitting-Grease
3	120-9401	1	RH Shaft ASM	19	322-10	2	Screw-HH
4	120-9402	1	LH Shaft ASM	20	322-19	2	Screw-HH
10	120-0923	8	Screw-HH	21	104-8300	4	Nut-Flange, NI
11	120-0924	8	Nut-Lock, NI	22	119-6835	1	Decal-Jack
12	119-1868	16	Washer	23	T36013050	2	Thread-Walk, Safety
13	T60111196	4	Bearing-Polyurethane	24	T36013052	2	Thread-Walk, Safety
13:1	302-19	1	Fitting-Grease				



RH Shaft Assembly No. 120-9401

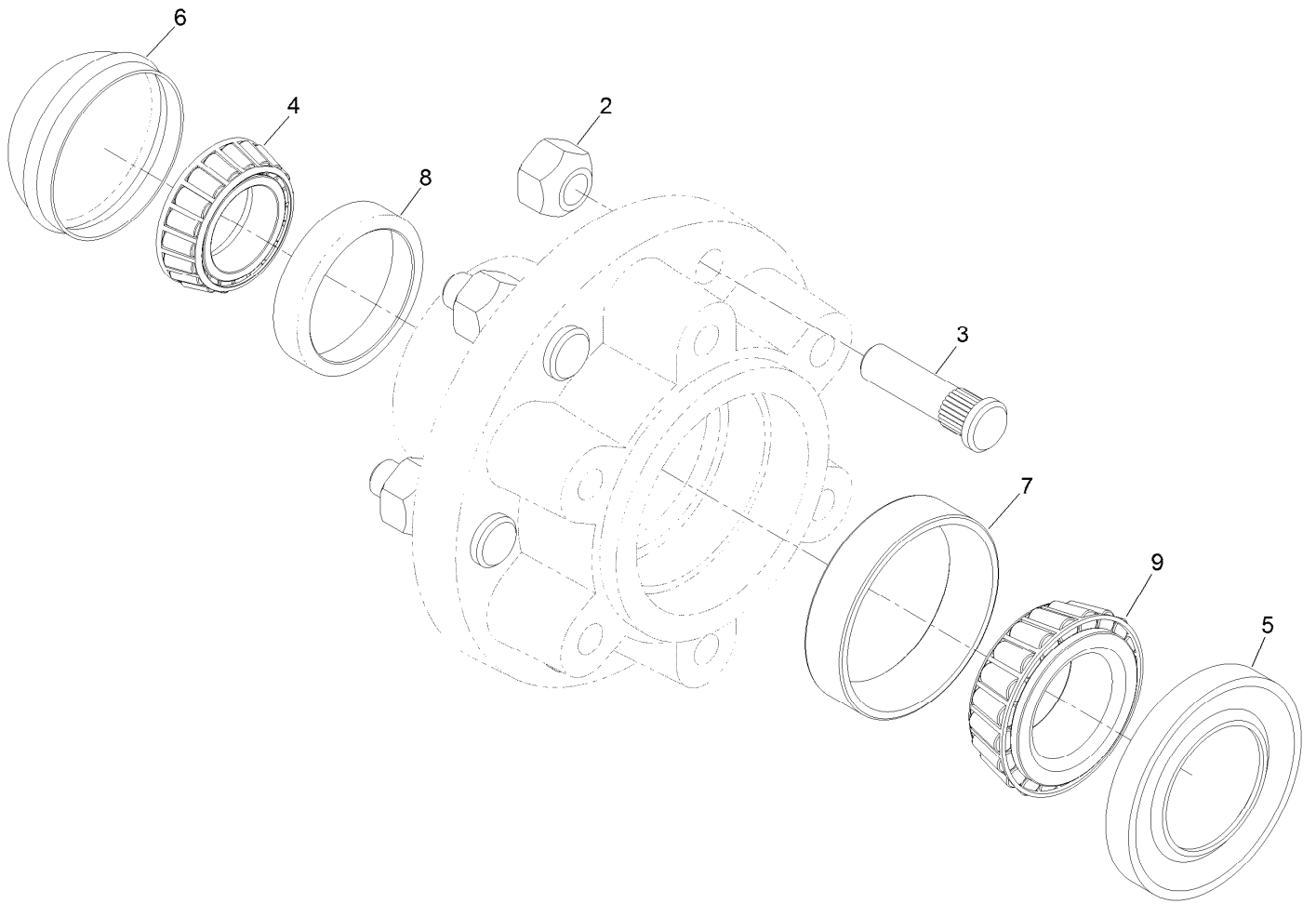
Ref.	Part Number	Qty.	Description
1	119-6871	1	Drum-Brake
2	120-9437	1	LH Brake ASM
3	120-0940	6	Screw-HSH
4	120-9404	2	Hub ASM
5	120-9405-03	1	Beam-Walking
6	3272-23	2	Pin-Cotter
7	3296-19	4	Nut-Hex
8	32136-11	2	Nut-Hex, Slot
9	T54051068	2	Washer-Spindle
10	325-6	4	Screw-HH



LH Brake Assembly No. 120-9437

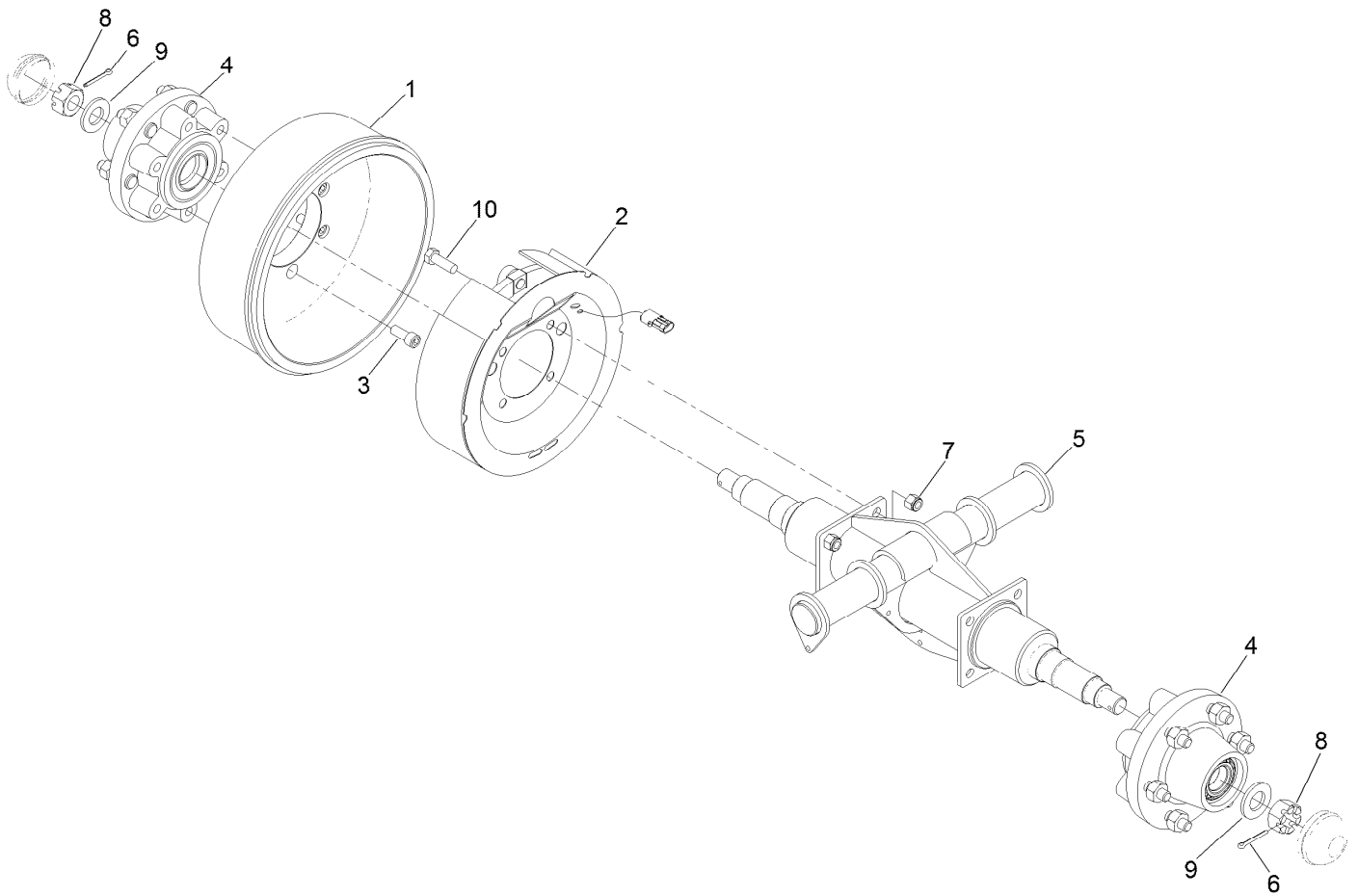
Ref.	Part Number	Qty.	Description
1		1	Brake-LH ●
1:1	120-9441	1	LH Shoe And Lining Kit
1:2	120-9443	1	Clip-Wire
1:3	120-9444	1	Magnet Kit
1:4	120-9445	2	Spring-Centering
1:5	120-9446	1	Spring-Adjuster
1:6	120-9447	1	Adjuster Assembly
1:7	120-9448	1	Clip-Adjuster
1:8	120-9449	1	Clip-Adjuster
1:9	120-9396	1	Spring-Return
2	120-9433	1	Cover-Dust, Brake

● Not serviced separately



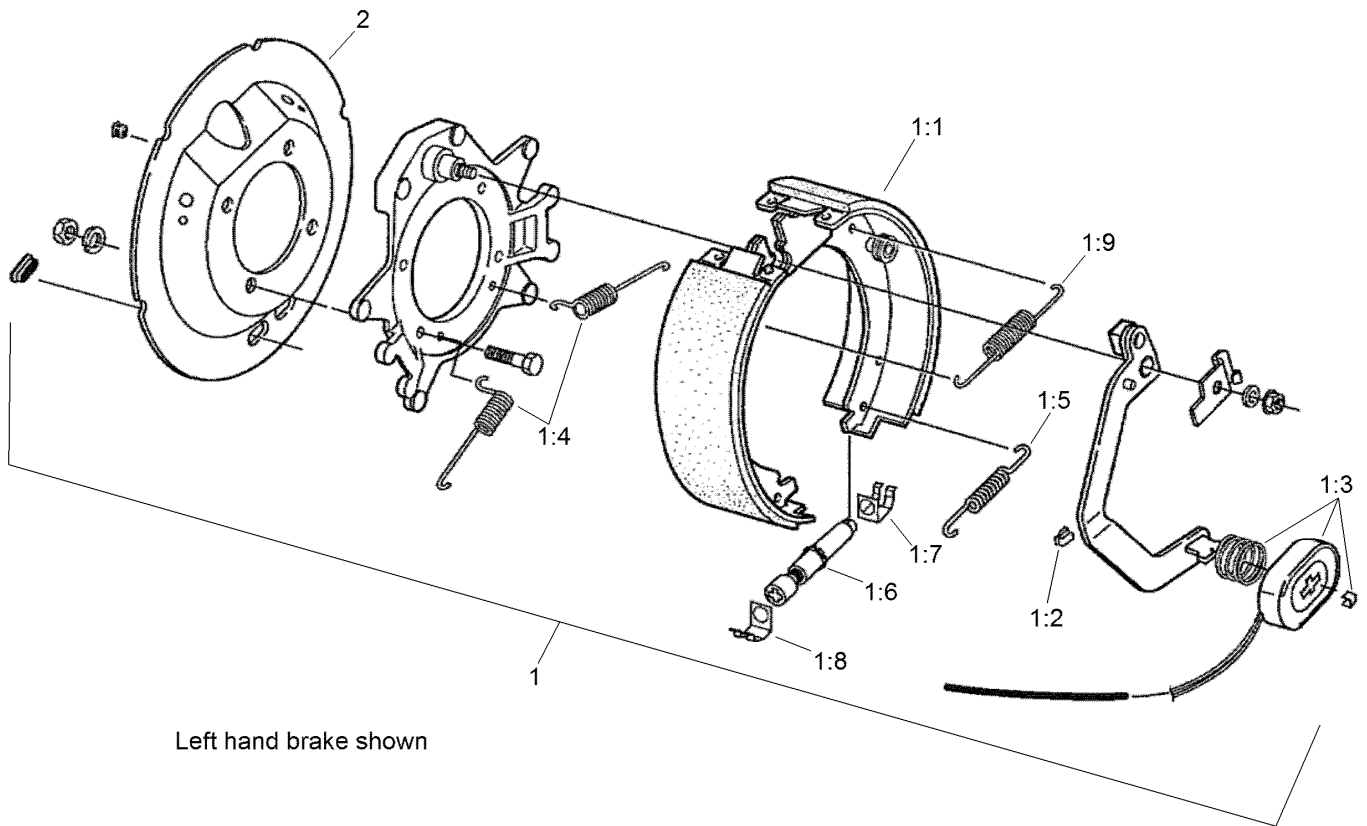
Hub Assembly No. 120-9404

<i>Ref.</i>	<i>Part Number</i>	<i>Qty.</i>	<i>Description</i>
2	T54031040	6	Nut-Wheel
3	T54031042	6	Hub Bolt Stud ASM
4	T54051010	1	Bearing-Hub, Outer
5	T54051019	1	Seal-Bearing
6	T54051026	1	Cap-Hub (5000/6000 Lb.)
7	T54051037	1	Race-Bearing, Inner
8	T54051042	1	Races-Bearing, Outer
9	T54051100	1	Bearing-Hub, Inner



LH Shaft Assembly No. 120-9402

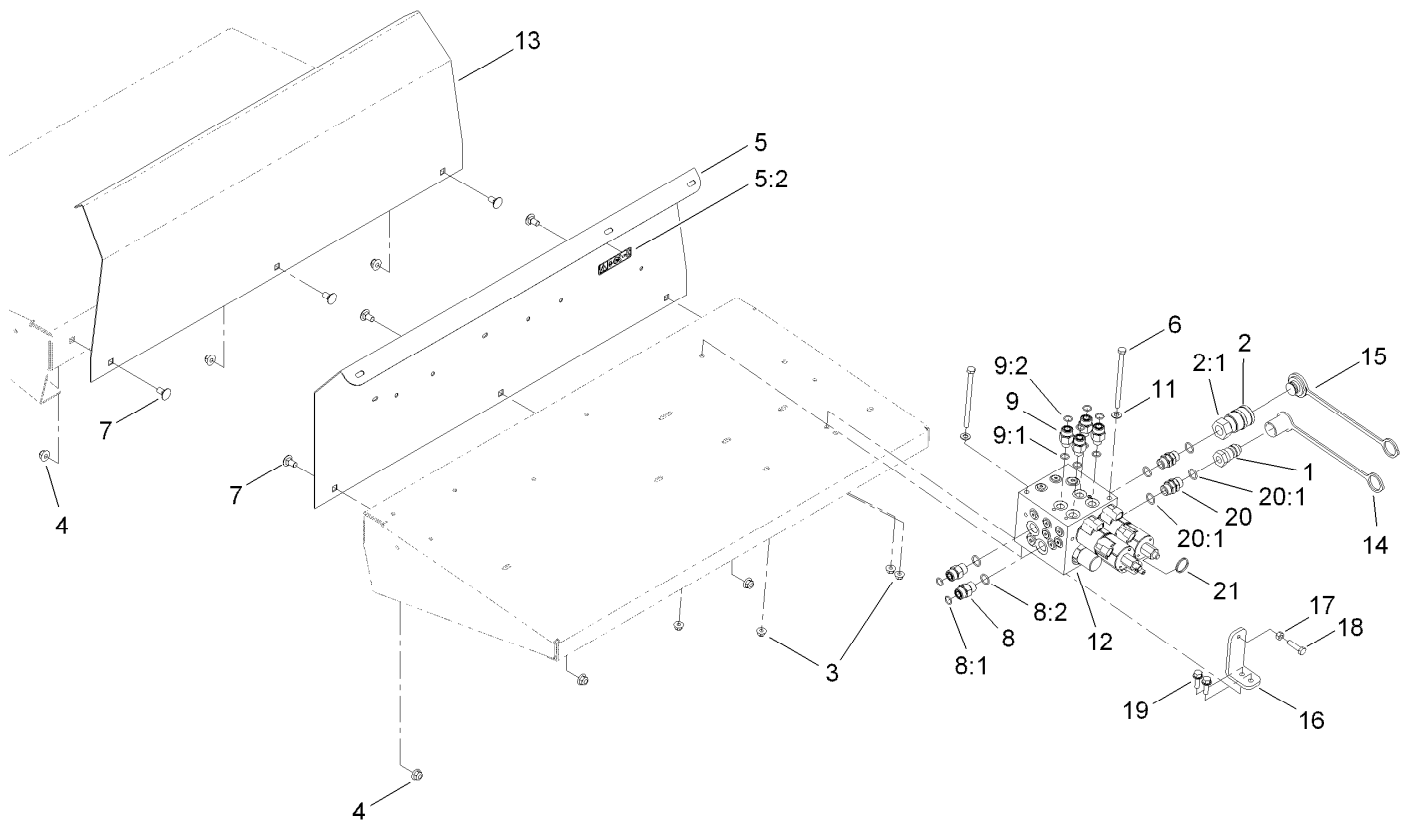
<i>Ref.</i>	<i>Part Number</i>	<i>Qty.</i>	<i>Description</i>
1	119-6871	1	Drum-Brake
2	120-9436	1	RH Brake ASM
3	120-0940	6	Screw-HSH
4	120-9404	2	Hub ASM
5	120-9405-03	1	Beam-Walking
6	3272-23	2	Pin-Cotter
7	3296-19	4	Nut-Hex
8	32136-11	2	Nut-Hex, Slot
9	T54051068	2	Washer-Spindle
10	325-6	4	Screw-HH



RH Brake Assembly No. 120-9436

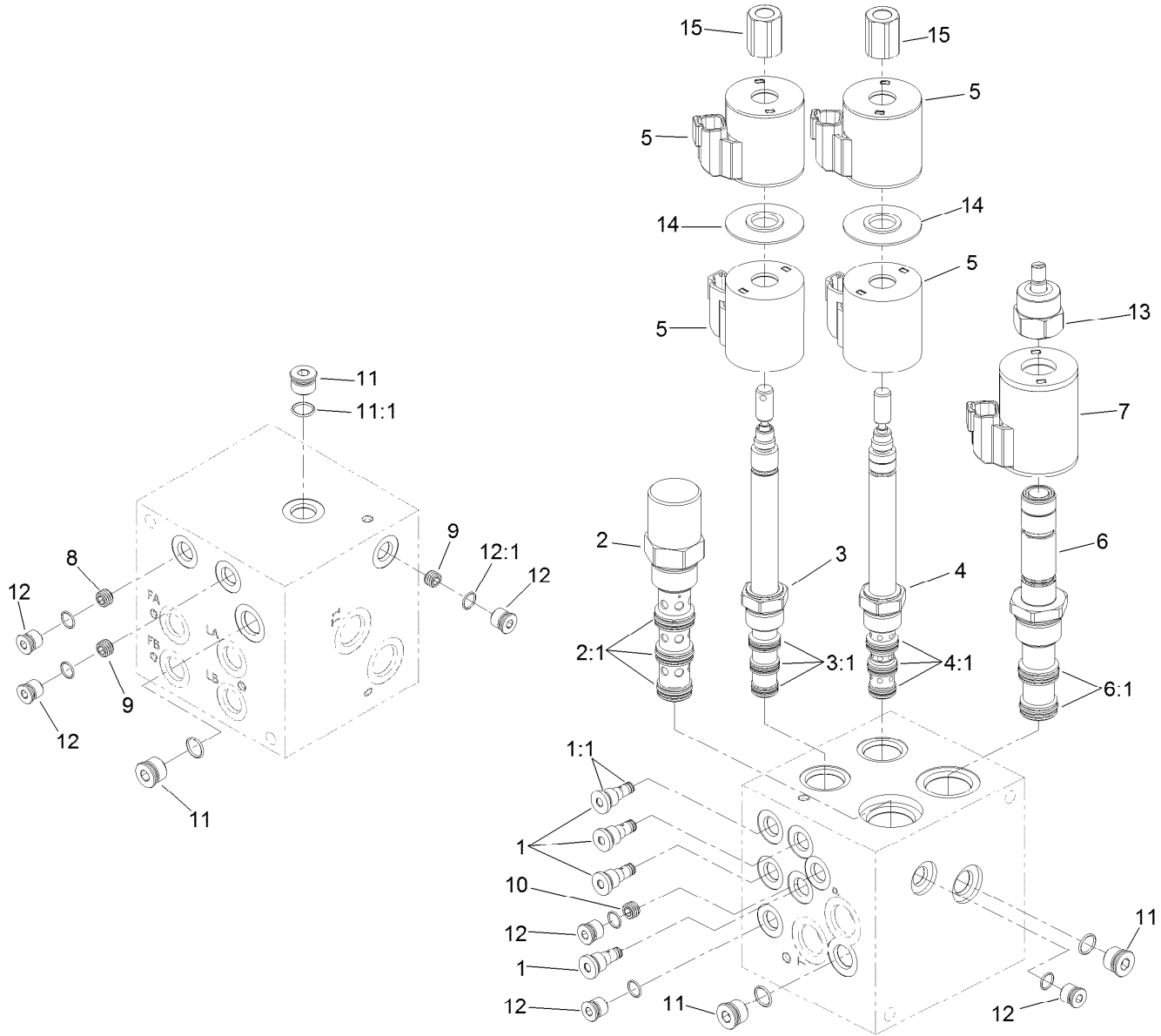
Ref.	Part Number	Qty.	Description
1		1	Brake-RH ●
1:1	120-9442	1	RH Shoe And Lining Kit
1:2	120-9443	1	Clip-Wire
1:3	120-9444	1	Magnet Kit
1:4	120-9445	2	Spring-Centering
1:5	120-9446	1	Spring-Adjuster
1:6	120-9447	1	Adjuster Assembly
1:7	120-9448	1	Clip-Adjuster
1:8	120-9449	1	Clip-Adjuster
1:9	120-9396	1	Spring-Return
2	120-9433	1	Cover-Dust, Brake

● Not serviced separately



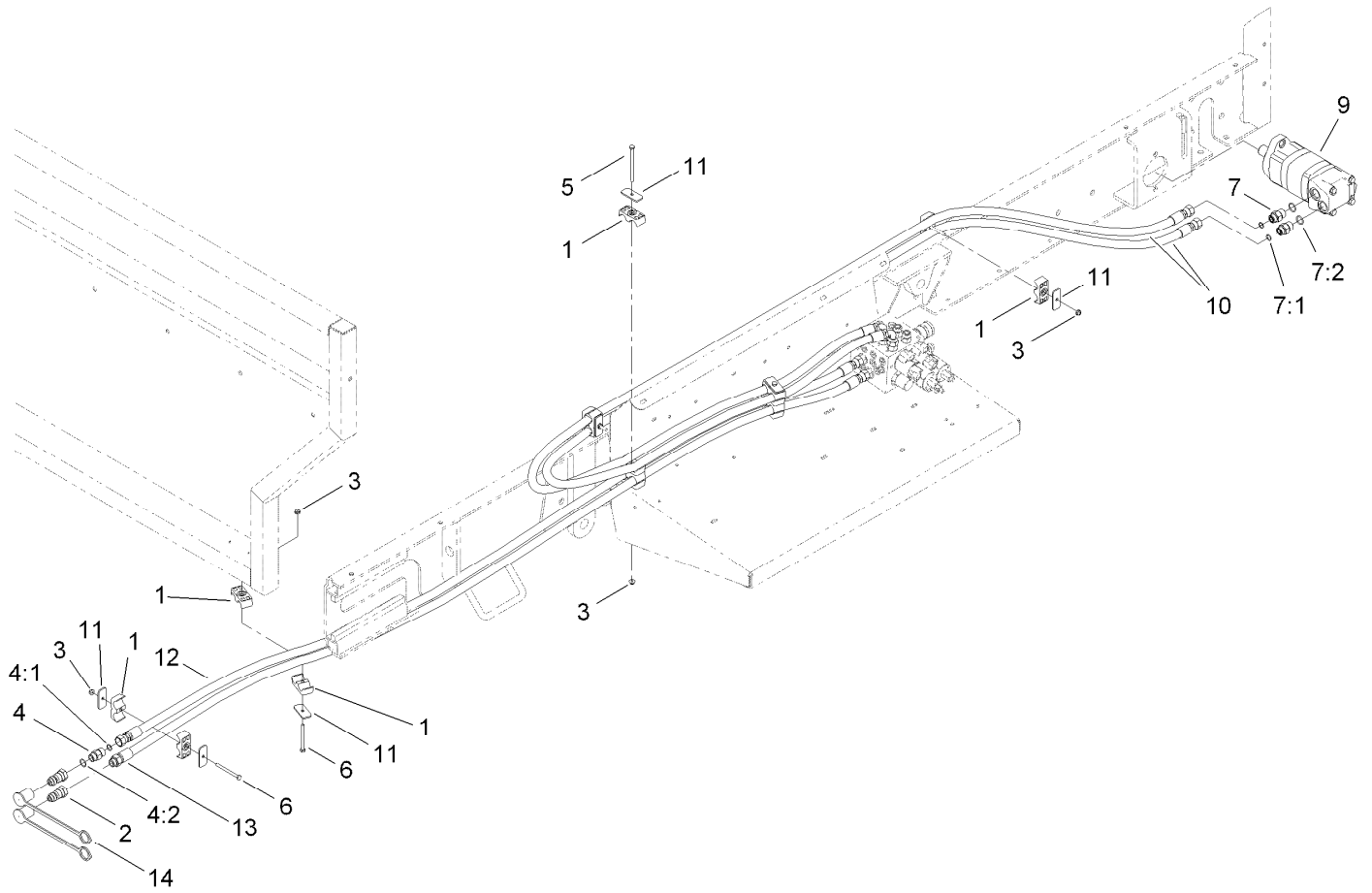
Hydraulic Manifold Block and Fitting Assembly

Ref.	Part Number	Qty.	Description	Ref.	Part Number	Qty.	Description
1	98-4698	1	Male-Disconnect, Quick	9:2	237-30	1	O-Ring
2	98-4699	1	Female-Disconnect, Quick	11	3256-23	2	Washer-Flat
2:1	100-4165	1	Seal Kit	12	T0000-7792	1	HYD Block ASM
3	104-8300	4	Nut-Flange, NI	13	T36011720-01	1	Guard-Fender, RH
4	104-8301	6	Nut-Flange, NI	14	T56152152	1	Cap-Quick Connect, 1/2 Inch
5	120-0921	1	LH Fender Guard Service ASM	15	T56152150	1	Plug-Quick Connect, 1/2 Inch
5:2	119-0217	1	Decal-Danger	16	T0002-4579-01	1	Bracket-Override Manual
6	322-49	2	Bolt-HH	17	3217-6	1	Nut-Hex
7	3231-1	6	Screw-CARR	18	322-6	1	Screw-HH
8	340-4	2	Fitting-HYD, Straight	19	3234-29	2	Screw-HHF
8:1	237-30	1	O-Ring	20	95-3209	2	Fitting-Thread, Straight
8:2	237-79	1	O-Ring	20:1	237-79	2	O-Ring
9	340-5	4	Fitting-Straight	21	106-1392	1	Ring-Retaining, Spiral (EXT)
9:1	237-42	1	O-Ring				



Hydraulic Block Assembly No. T0000-7792

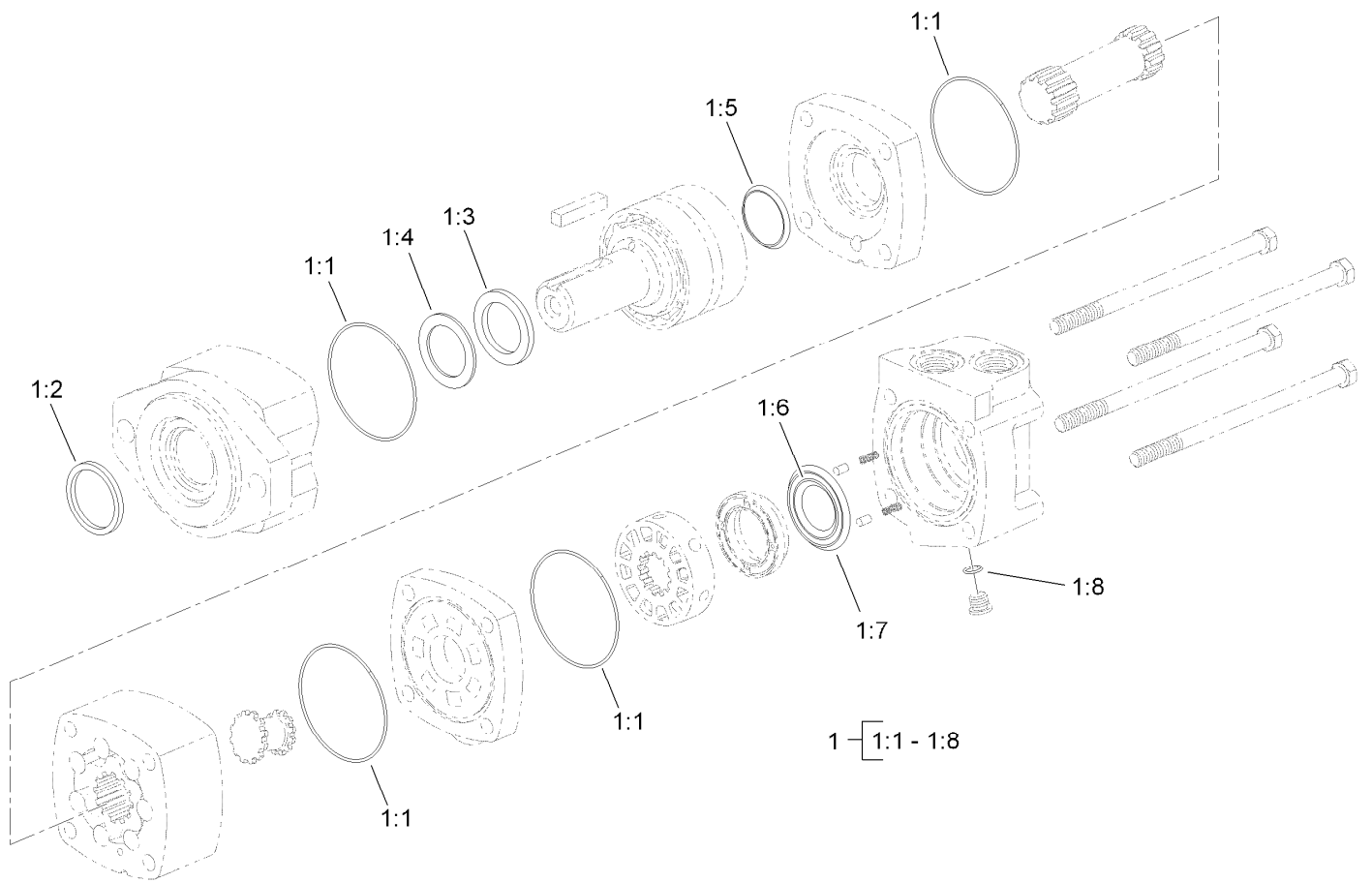
<i>Ref.</i>	<i>Part Number</i>	<i>Qty.</i>	<i>Description</i>	<i>Ref.</i>	<i>Part Number</i>	<i>Qty.</i>	<i>Description</i>
1	120-9415	4	Valve-Check	7	120-0920	1	Coil-Valve
1:1	125-0100	1	Seal Kit	8	110-8883	1	Plug-Orifice (0.040)
2	120-9416	1	Valve-Pressure Compensator	9	110-8889	2	Plug-Orifice (0.020)
2:1	110-6111	1	Seal Kit	10	120-9422	1	Plug-Orifice (0.068)
3	120-9417	1	Valve-Solenoid	11	353-508	4	Plug-HH
3:1	110-8908	1	Seal Kit	11:1	237-42	1	O-Ring
4	120-9418	1	Valve-Solenoid	12	353-990	6	Plug
4:1	110-8908	1	Seal Kit	12:1	237-78	1	O-Ring
5	119-4619	4	Coil-Solenoid	13	125-0101	1	Nut-Coil
6	120-9420	1	Valve-Proportional Flow	14	117-8316	2	Spacer-E Coil
6:1	114-5515	1	Seal Kit	15	125-0102	2	Nut-Coil



Hydraulic Motor and Hose Assembly

Ref.	Part Number	Qty.	Description
1	56-7974	16	Clamp-Tube
2	98-4698	2	Male-Disconnect, Quick
3	104-7201	6	Nut-HF
4	119-6898	1	Valve-Check, HYD
4:1	237-30	1	O-Ring
4:2	237-79	1	O-Ring
5	321-19	2	Screw-HH
6	321-18	2	Screw-HH
7	340-6	2	Fitting-HYD, Straight

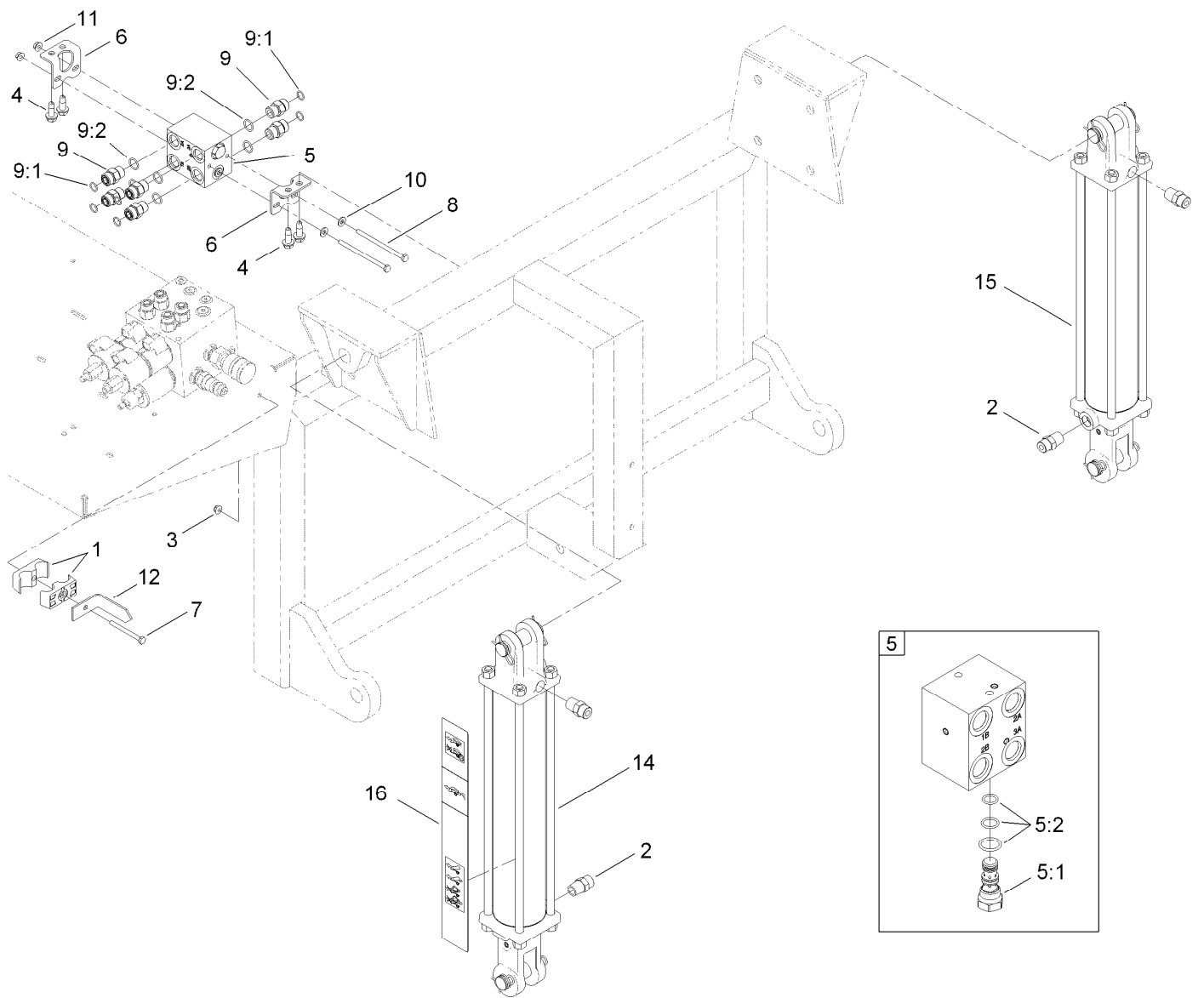
Ref.	Part Number	Qty.	Description
7:1	237-30	1	O-Ring
7:2	237-80	1	O-Ring
9	T0000-5303	1	HYD Motor ASM
10	120-0865	2	HYD Hose ASM
11	T36033040	7	Plate-Clamp
12	120-0866	1	HYD Hose ASM
13	120-0867	1	HYD Hose ASM
14	T56152152	2	Cap-Quick Connect, 1/2 Inch



Hydraulic Motor Assembly No. T0000-5303

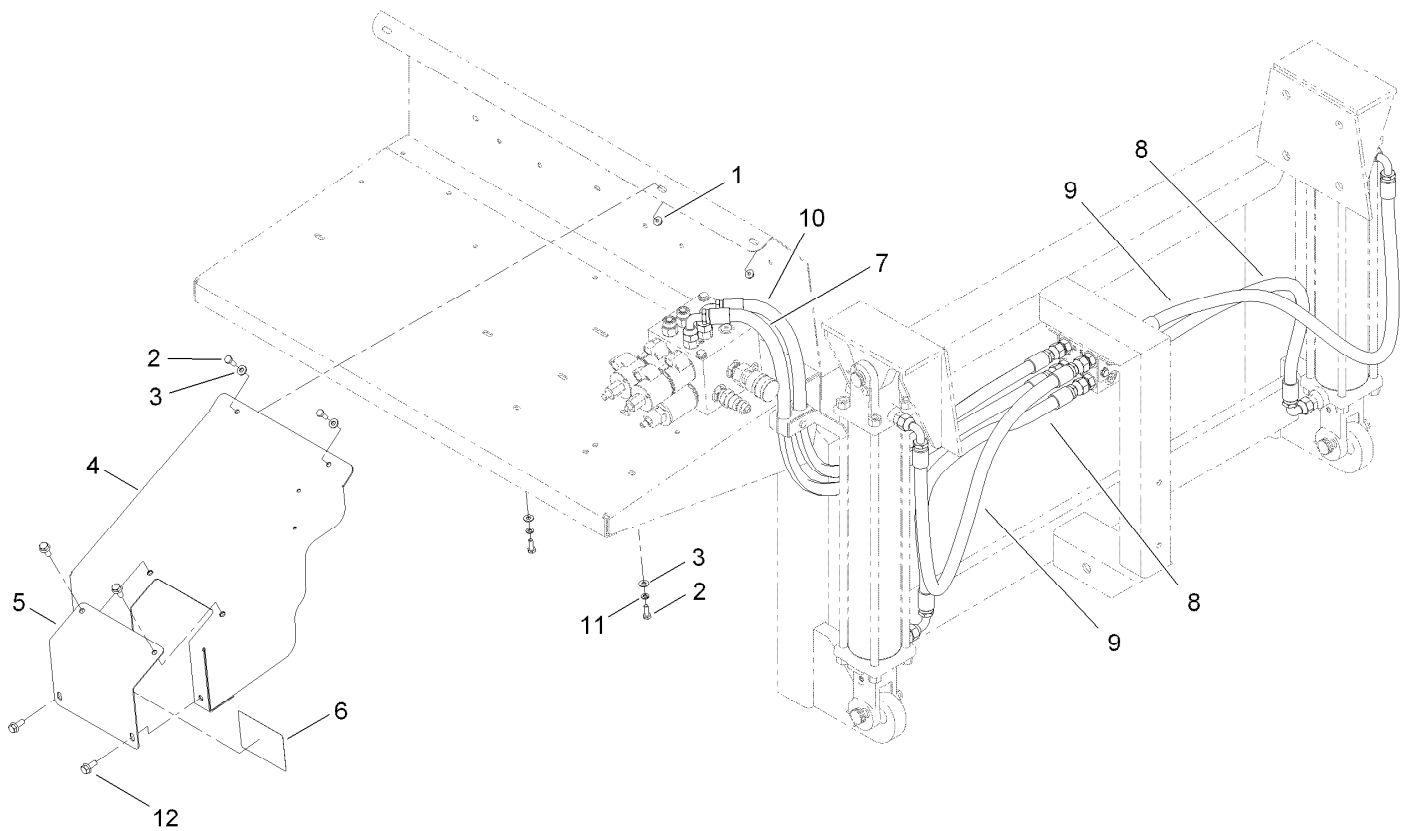
Ref.	Part Number	Qty.	Description
1	56-6890	1	Seal Kit
1:1		4	O-Ring ●
1:2		1	Seal-Exclusion, Shaft ●
1:3		1	Seal-Shaft ●
1:4		1	Ring-Back-Up ●
1:5		1	Seal-Face, Shaft ●
1:6		1	Seal-Face, Inner ●
1:7		1	Seal-Face, Outer ●
1:8		1	O-Ring ●

● Not serviced separately



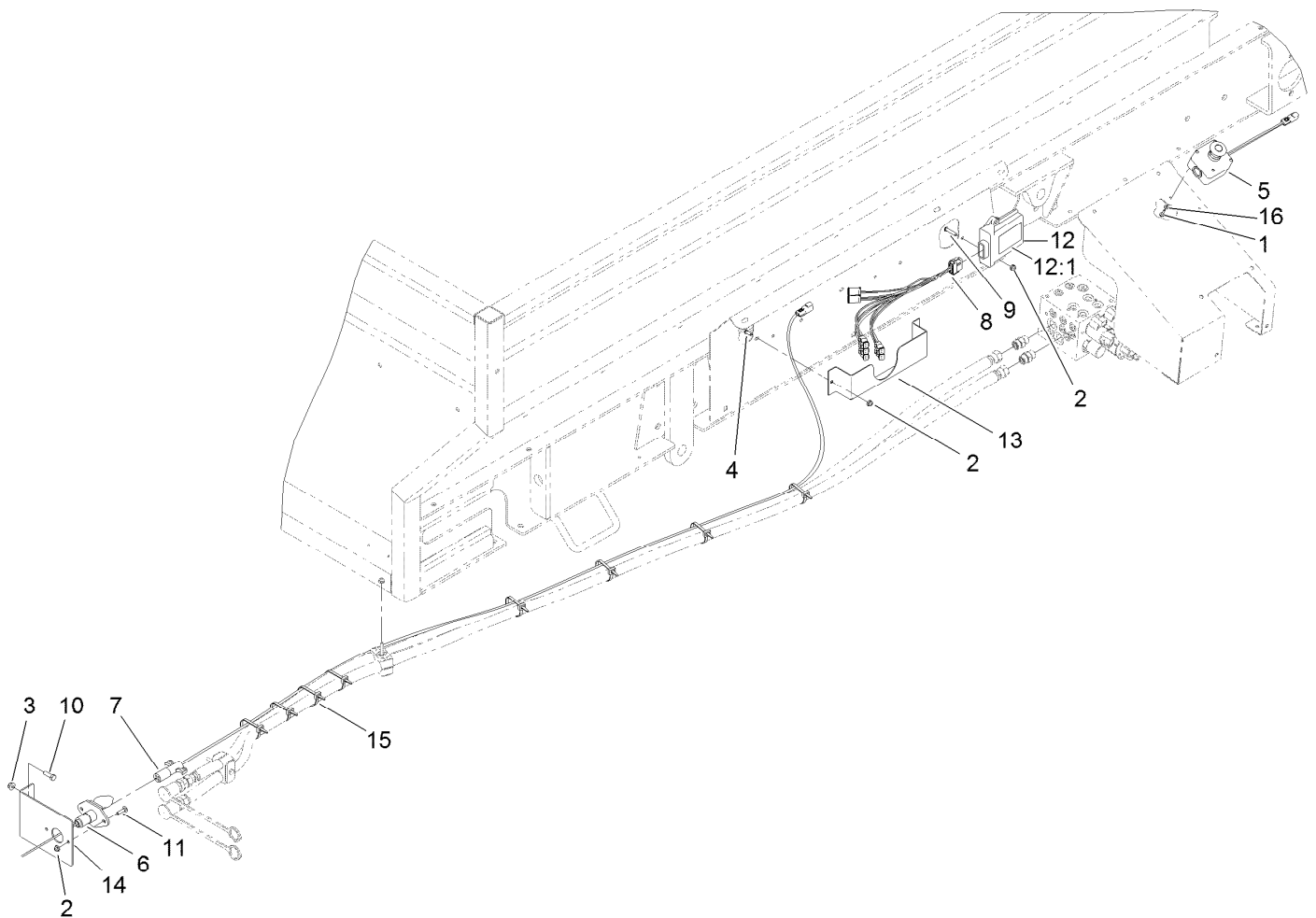
Hydraulic Cylinder and Manifold Block Assembly

Ref.	Part Number	Qty.	Description	Ref.	Part Number	Qty.	Description
1	56-7974	2	Clamp-Tube	9	340-4	6	Fitting-HYD, Straight
2	93-5107	4	Fitting-Adapter	9:1	237-30	1	O-Ring
3	104-7201	1	Nut-HF	9:2	237-79	1	O-Ring
4	105-6245	4	Screw-Tapping	10	3256-22	2	Washer-Flat
5	120-0849	1	Block-Manifold, Po Check	11	32128-33	2	Nut-HF
5:1	120-0873	1	Valve-Po Check	12	T36011570	1	Bar-Indicator, Lift
5:2	120-0886	1	Seal Kit	14	T56071160	1	HYD Cylinder ASM
6	120-0875-03	2	Bracket-Mounting, Manifold	15	T56071170	1	HYD Cylinder ASM
7	321-18	1	Screw-HH	16	119-6863	1	Decal-Load Range
8	321-34	2	Screw-HH				



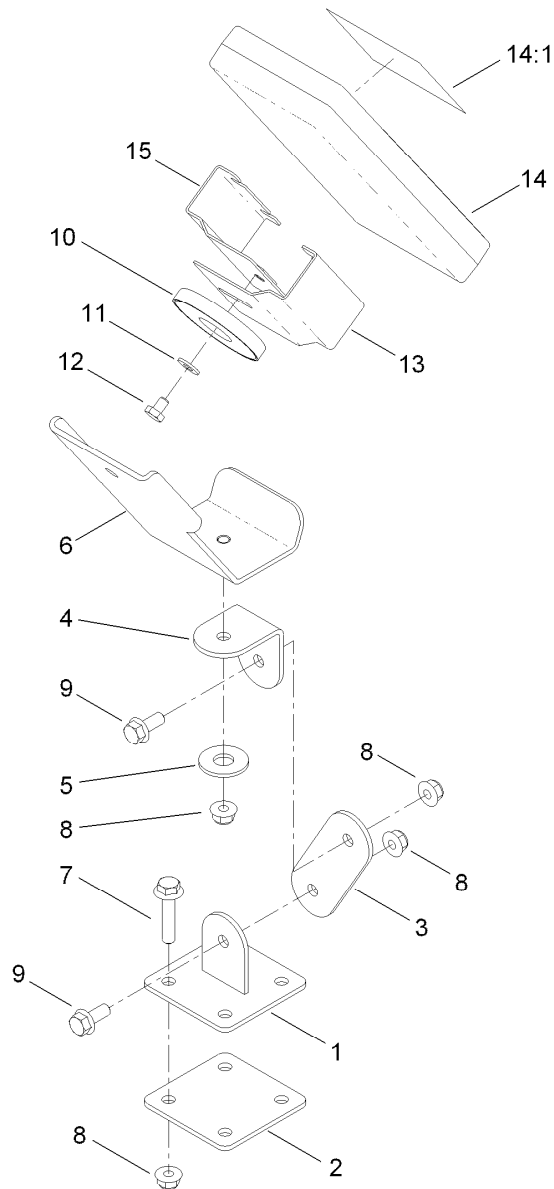
Block Guard and Hose Assembly

<i>Ref.</i>	<i>Part Number</i>	<i>Qty.</i>	<i>Description</i>
1	104-7201	2	Nut-HF
2	321-4	4	Screw-HH
3	3256-22	4	Washer-Flat
4	T0002-4581	1	Block Guard ASM
5	T0002-4578-01	1	Plate-Cover, Override
6	119-6832	1	Decal-Adjustment
7	120-0868	1	HYD Hose ASM
8	120-0869	2	HYD Hose ASM
9	120-0870	2	HYD Hose ASM
10	120-0872	1	HYD Hose ASM
11	3253-3	2	Washer-Lock
12	3234-47	4	Screw-HHF



Wireless Base and Emergency Stop Assembly

<i>Ref.</i>	<i>Part Number</i>	<i>Qty.</i>	<i>Description</i>	<i>Ref.</i>	<i>Part Number</i>	<i>Qty.</i>	<i>Description</i>
1	98-1375	2	Screw-HWH	9	120-0834	2	Screw-HSBH
2	104-7201	6	Nut-HF	10	322-5	2	Screw-HH
3	104-8300	2	Nut-Flange, NI	11	3229-2	2	Screw-CARR
4	119-6906	2	Screw-HSBH	12	T0002-1762	1	Wireless Base Unit
5	119-6909	1	Emergency Stop ASM	12:1	119-6830	1	Decal-Base Unit
6	120-0976	1	Harness-Wire, Power Lead	13	T36016084	1	Pocket-Control, Wireless
7	120-0926	1	Harness-Wire, Intermediate Power	14	T36054020	1	Bracket-Socket
8	119-6912	1	Harness-Wire Bulkhead	15	3290-378	8	Tie-Cable
				16	3256-14	2	Washer-Flat



Wireless Remote Mounting Assembly

<i>Ref.</i>	<i>Part Number</i>	<i>Qty.</i>	<i>Description</i>	<i>Ref.</i>	<i>Part Number</i>	<i>Qty.</i>	<i>Description</i>
1	T0002-8707-01	1	Swivel Base ASM	9	3234-47	2	Screw-HHF
2	T0002-8704-01	1	Plate-Base, Swivel	10	T0002-8729	1	Magnet-Ceramic, Encased
3	T0002-8710-01	1	Plate-Mount, Wireless	11	3256-22	1	Washer-Flat
4	T0002-8712-01	1	Angle-Mount, Wireless	12	321-1	1	Screw-HH
5	T0000-2623	1	Washer-Poly, Ultra High Molecular Weight	13	T0002-9249-01	1	Sleeve-Half
6	T0002-8685-01	1	Controler Mount ASM	14	T0002-1761	1	Remote-Wireless
7	115-1794	4	Screw-HHF	14:1	119-6837	1	Decal-Wireless Console
8	104-8300	7	Nut-Flange, NI	15	T0002-9252-01	1	Half Sleeve ASM

Notes:

Notes:

Notes:



Count on it.