



Count on it.

Parts Catalog

830S Golf Sprinkler Series

Model No. 830S

Ordering Replacement Parts

To order replacement parts, please supply the part number, the quantity, and the description of each part desired.

Understanding Reference Numbers

Each identified part in an illustration has a reference number. The reference number for a part also appears in the parts list, along with other information about the part.

This catalog uses two special reference number formats, one to indicate parts in a service assembly and another to indicate the quantity of a given part in an illustration.

Service Assembly Reference Numbers

Parts in service assemblies have reference numbers in the form a:b. The a represents the reference number of the entire service assembly and the b represents a sequential number unique to each part within the service assembly.

For example, a wheel assembly might be identified by reference number 6, the tire by 6:1, the valve by 6:2, and the wheel by 6:3. When you order the assembly identified by reference number 6, you receive all parts identified by reference numbers 6:1, 6:2, and 6:3. However, you may also order any part individually. Reference numbers of this type appear in illustration and in parts lists.

Reference Numbers Indicating Quantity

In an illustration, if a reference number indicates more than one part, the reference number has the form nX y. The n represents the quantity of the part, the X is the multiplication symbol, and the y represents the reference number.

For example, in an illustration, the reference number 2X 37 means that two of the parts identified by reference number 37 are indicated.

List of Abbreviations

AR: as required

ASM: assembly

BBC: blade brake control

BHTF: button head thread forming

CARR: carriage

CCW: counter clockwise

CW: clockwise

DEG: degrees

DPA: Dual Point Adjustment

ECM: electronic control module

EXT: external

FH: flat head

GA: gauge

HD: heavy-duty

HF: hex flange

HH: hex head

HHF: hex head flange

HHFTF: hex head flange thread forming

HJ: hex jam

HLH: hex lag head

HOC: height-of-cut

HSBH: hex socket button head

HSFH: hex socket flat head

HSH: hex socket head

HWH: hex washer head

HWHTF: hex washer head thread forming

HYD: hydraulic

LH: left hand

LP: Liquid Propane

NI: nylon insert

NPTF: national pipe thread fine

PFH: phillips flat head

PPH: phillips pan head

PPHTF: phillips pan head thread forming

PRH: phillips round head

PTH: phillips truss head

PTO: power-take-off

RH: right hand

ROPS: roll-over protection system

RRB: rear roller brush

SFH: slotted fillister head

SHH: slotted hex head

SHWH: slotted hex washer head

SPH: slotted pan head

SQH: square head

SRH: slotted round head

STD: standard

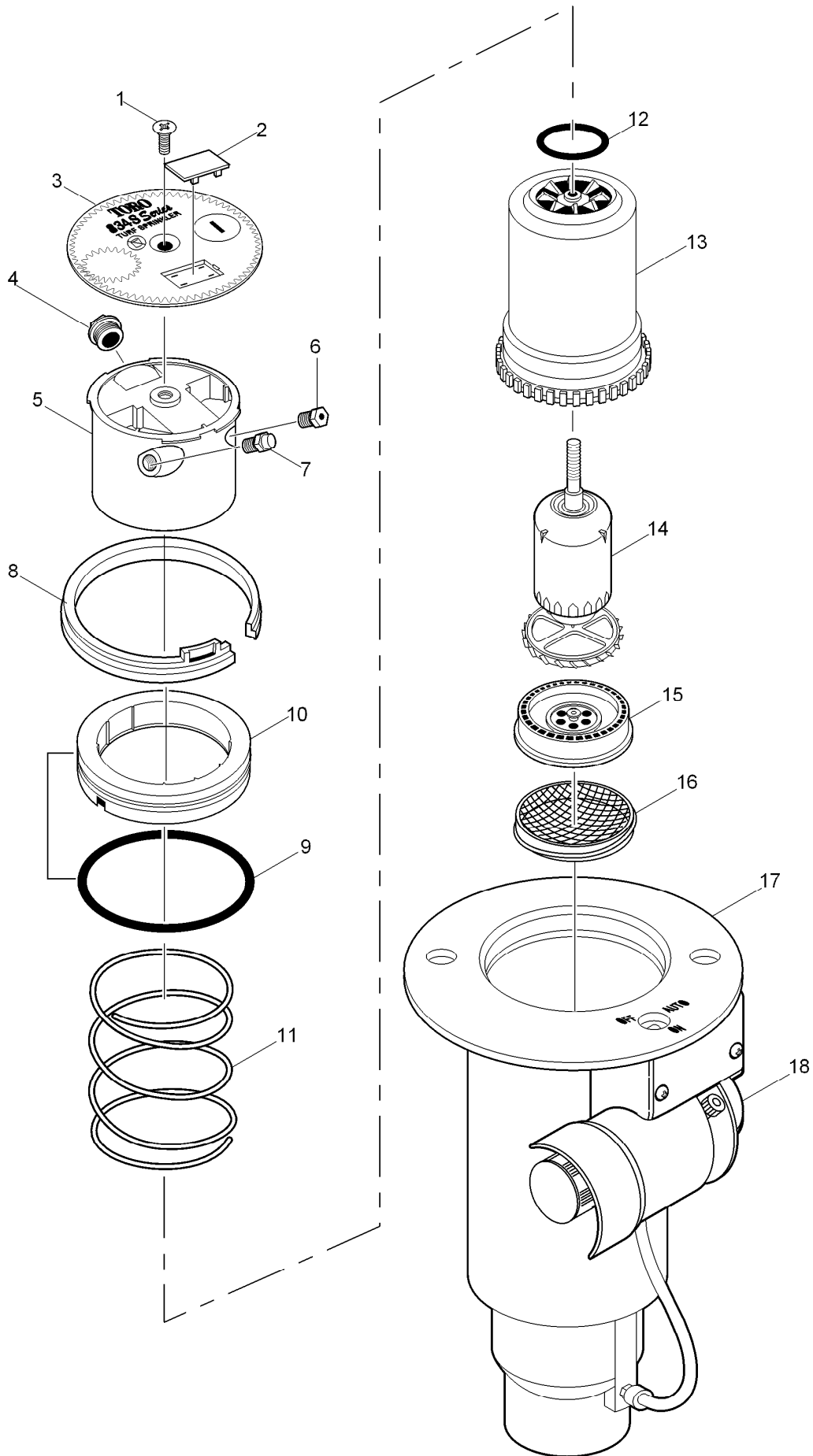
TAP: self tapping

TTH: torx truss head

Contents

834S Series Sprinkler - Pre-August 2007 4
834S Series Sprinkler - August 2007-Present 6
835S Series Sprinklers 8
835B Series Sprinkler 10

834S Series Sprinkler - Pre-August 2007



834S Series Sprinkler - Pre-August 2007 (continued)

| Ref. | Part Number | Qty. | Description | Ref. | Part Number | Qty. | Description |
|------|-------------|------|--|------|-------------|------|--|
| 1 | 102-0362 | 1 | Screw, Cap | | 102-2208 | | Nozzle, Main, #0, Blank, White ●▲ |
| 2 | 89-1589 | 1 | Plug, Cap (Black) | | 102-0840 | | Nozzle, Inner/Intermediate, Blank, Red ●▲ |
| 3 | 102-0230 | 1 | Cap, 834S | | 102-2041 | | Restrictor, Yellow, Inner Nozzle ●▲ |
| 3 | 102-1703 | 1 | Cap, 834S, Effluent | | 102-4337 | 1 | Stream Straightener, Intermediate Nozzle ●▲ |
| 4 | 102-0725 | 1 | Nozzle, Main, #1, Yellow | | 102-2502 | | Cap, 834S, W/O Graphics ●▲ |
| 4 | 102-0726 | 1 | Nozzle, Main, #2, Blue | | 102-2503 | | Cap, 834S, W/O Graphics, Effluent ●▲ |
| 4 | 102-0727 | 1 | Nozzle, Main, #3, Brown | | YARDMARKYEL | 10 | Yardage Marker, Yellow (10-Sheets Per Pack) ●▲ |
| 4 | 102-0728 | 1 | Nozzle, Main, #4, Orange | | YARDMARKLAV | 10 | Yardage Marker, Lavender (For Non-Potable Water Applications) ●▲ |
| 4 | 102-0729 | 1 | Nozzle, Main, #5, Green | | 834S-3134 | | Conversion Assembly, 834S W/ #31, 32, 33, 34 Nozzles ▶▲ |
| 4 | 102-0730 | 1 | Nozzle, Main, #6, Gray | | 834S-3134E | | Conversion Assembly, 834S W/ #31, 32, 33, 34 Nozzles, Effluent (Lavender) ▶▲ |
| 4 | 102-4261 | 1 | Nozzle, Main, #7, Black | | 834S-3537 | | Conversion Assembly, 834S W/ #35, 36, 37 Nozzles ▶▲ |
| 5 | 102-7406 | 1 | Nozzle Base Kit, Dual Trajectory (Includes Items 1-5, 7-10 On 834S Present Models) | | 834S-3537E | | Conversion Assembly, 834S W/ #35, 36, 37 Nozzles, Effluent (Lavender) ▶▲ |
| 6 | 102-2105 | 1 | Nozzle Assy. Intermediate, Blue (Used W/ #1 Yellow And #2 Blue Mains) | | 995-08 | | Valve Removal Tool ■▲ |
| 6 | 102-2106 | 1 | Nozzle Assy. Intermediate, Orange (Used W/ #3 Brown & #4 Orange Mains) | | 995-15 | | Selector Tool (Flag Key) ■▲ |
| 6 | 102-2107 | 1 | Nozzle Assy. Intermediate, Gray (Used W/ #5 Green & #6 Gray Mains) | | 995-76 | | Valve Insertion Tool ■▲ |
| 6 | 102-2981 | 1 | Nozzle Assy. Intermediate, Red (Used W/ #7 Black Main) | | 995-79 | | Nut Driver, 7/16" (For Inner And Intermediate Nozzles) ■▲ |
| 7 | 102-2980 | 1 | Nozzle Assy. Inner, Red (W/ Restrictor) | | 995-83 | | Multi-Purpose Tool ■▲ |
| 8 | 89-1385 | 1 | Snap Ring, Riser | | 995-85 | | Riser Removal Tool ■▲ |
| 9 | 363-4102 | 1 | O-Ring, Paraffin As-568 232 | | 995-99 | | Nut Driver, 5/8" (For Main Nozzle) ■▲ |
| 10 | 102-0134 | 1 | Retainer, Seal | | 995-100 | | Valve Snap Ring Pliers With Screen Remover ■▲ |
| 11 | 102-0151 | 1 | Spring, Return | | 995-102 | | Riser Hold-Up Tool, Universal ■▲ |
| 12 | 363-4167 | 1 | O-Ring, Nozzle Base | | 118-0954 | 1 | Riser Hold-Up Tool, Red ■▲ |
| 13 | 102-0202 | 1 | Riser | | | | |
| 14 | 102-4503 | 1 | Drive Assembly, 12-Pack | | | | |
| 15 | 102-1939 | 1 | Stator Assembly, Low Flow, Yellow (Used W/ #1-#4 Mains) | | | | |
| 15 | 102-1940 | 1 | Stator Assembly, Medium Flow, White (Used W/ #5-#7 Mains) | | | | |
| 16 | 102-1715 | 1 | Screen, Riser | | | | |
| 17 | | 1 | Body Assembly (See Golf Body Assembly Section) ◻◆ | | | | |
| 18 | | 1 | Pilot Valve Assembly (See Pilot Valve Assembly Section) ◻◆ | | | | |

● SERVICE ITEMS

▲ Not illustrated

◻ See Pilot Valve Assembly Section.

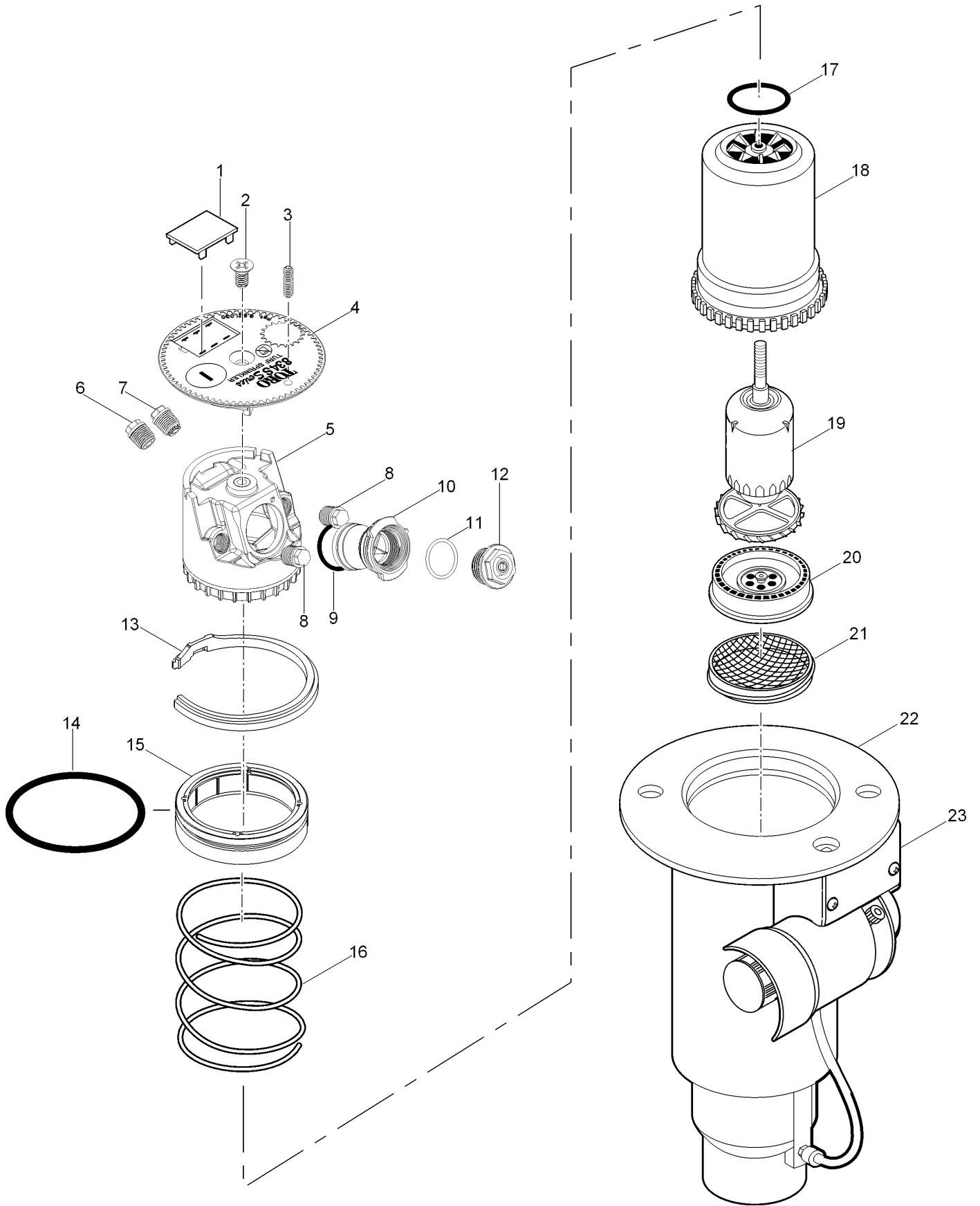
▶ Order Through Finished Goods Distribution System - Minneapolis

■ SERVICE TOOLS

◆ Not serviced separately

○ See Golf Sprinkler Body Assembly Section.

834S Series Sprinkler - August 2007-Present



834S Series Sprinkler - August 2007-Present (continued)

| Ref. | Part Number | Qty. | Description | Ref. | Part Number | Qty. | Description |
|------|-------------|------|---|------|-------------|------|--|
| 1 | 89-1589 | 1 | Plug, Cap (Black) | 20 | 102-1940 | 1 | Stator Assembly, Medium Flow, White (Used W/ #5-#7 Mains) |
| 2 | 102-0362 | 1 | Screw, Cap | 21 | 102-1715 | 1 | Screen, Riser |
| 3 | 363-4839 | 1 | Radius Reduction Screw | 22 | | 1 | Body Assembly (See Golf Sprinkler Body Assembly Section) ♦ |
| 4 | 102-5586 | 1 | Cap, 834S | 23 | | 1 | Pilot Valve Assembly (See Pilot Valve Assembly Section) ♦ |
| 4 | 102-5590 | 1 | Cap, 834S, Effluent | | 102-2208 | | Nozzle, Main, #0, Blank, White ●▲ |
| 5 | 102-5837 | 1 | Nozzle Base Assembly | | 102-5672 | | Cap, Blank ●▲ |
| 6 | 102-2925 | 1 | Intermediate Nozzle, Blue (Used W/ #1 Main) | | 102-5673 | | Cap, Blank, Effluent ●▲ |
| 6 | 102-2926 | 1 | Intermediate Nozzle, Orange (Used W/ #2 Main) | | YARDMARKYEL | 10 | Yardage Marker, Yellow (10-Sheets Per Pack) ●▲ |
| 6 | 102-2928 | 1 | Intermediate Nozzle, Red (Used W/ #3 Main) | | YARDMARKLAV | 10 | Yardage Marker, Lavender (For Non-Potable Water Applications) ●▲ |
| 6 | 102-2929 | 1 | Intermediate Nozzle, Beige (Used W/ #4 & #5 Mains) | | 834S-3134 | | Conversion Assembly, 834S W/ #31, 32, 33, 34 Nozzles □▲ |
| 6 | 102-6944 | 1 | Intermediate Nozzle Assy., Red W/ Stream Straightener (Used W/ #6 Main) | | 834S-3134E | | Conversion Assembly, 834S W/ #31, 32, 33, 34 Nozzles, Effluent (Lavender) □▲ |
| 6 | 102-6945 | 1 | Intermediate Nozzle Assy., Gray W/ Stream Straightener (Used W/ #7 Main) | | 834S-3537 | | Conversion Assembly, 834S W/ #35, 36, 37 Nozzles □▲ |
| 6 | 102-6883 | 1 | Intermediate Nozzle, Brown (Used W/ #7 Main, Front Position On The Right Of Main) | | 834S-3537E | | Conversion Assembly, 834S W/ #35, 36, 37 Nozzles, Effluent (Lavender) □▲ |
| 7 | 102-6937 | 1 | Nozzle Assy. Inner, Yellow Nozzle W/ Yellow Helical Restrictor | | 995-08 | | Valve Removal Tool ■▲ |
| 8 | 102-4335 | 2 | Plug, Nozzle | | 995-76 | | Valve Insertion Tool ■▲ |
| 9 | 102-5978 | 1 | O-Ring, Nozzle Housing | | 995-15 | | Selector Tool (Flag Key) ■▲ |
| 10 | 102-5597 | 1 | Nozzle Housing Assy. (Includes Item 9) | | 995-99 | | Nut Driver, 5/8" (For Main Nozzle) ■▲ |
| 11 | 363-4978 | 1 | O-Ring, Main Nozzle | | 995-105 | | Nut Driver, 5/16" (For Inner & Intermediate Nozzles And Plugs) ■▲ |
| 12 | 102-0725 | 1 | Nozzle, Main, #1, Yellow | | 995-83 | | Multi-Purpose Tool ■▲ |
| 12 | 102-7001 | 1 | Nozzle, Main, #2, Blue | | 995-85 | | Riser Removal Tool ■▲ |
| 12 | 102-0727 | 1 | Nozzle, Main, #3, Brown | | 995-100 | | Valve Snap Ring Pliers With Screen Remover ■▲ |
| 12 | 102-7002 | 1 | Nozzle, Main, #4, Orange | | 995-102 | 1 | Riser Hold-Up Tool, Universal ■▲ |
| 12 | 102-6908 | 1 | Nozzle, Main, #5, Green | | 118-0954 | 1 | Riser Hold-Up Tool, Red ■▲ |
| 12 | 102-0730 | 1 | Nozzle, Main, #6, Gray | | | | |
| 12 | 102-4261 | 1 | Nozzle, Main, #7, Black | | | | |
| 13 | 89-1385 | 1 | Snap Ring, Riser | | | | |
| 14 | 363-4102 | 1 | O-Ring, Paraffin As-568 232 | | | | |
| 15 | 102-0134 | 1 | Retainer, Seal | | | | |
| 16 | 102-0151 | 1 | Spring, Return | | | | |
| 17 | 363-4167 | 1 | O-Ring, Nozzle Base | | | | |
| 18 | 102-0202 | 1 | Riser | | | | |
| 19 | 102-4503 | 1 | Drive Assembly, 12-Pack | | | | |
| 20 | 102-6929 | 1 | Stator, Low Flow, High Velocity, Blue (Used W/ #1-#4 Mains) | | | | |

● SERVICE ITEMS

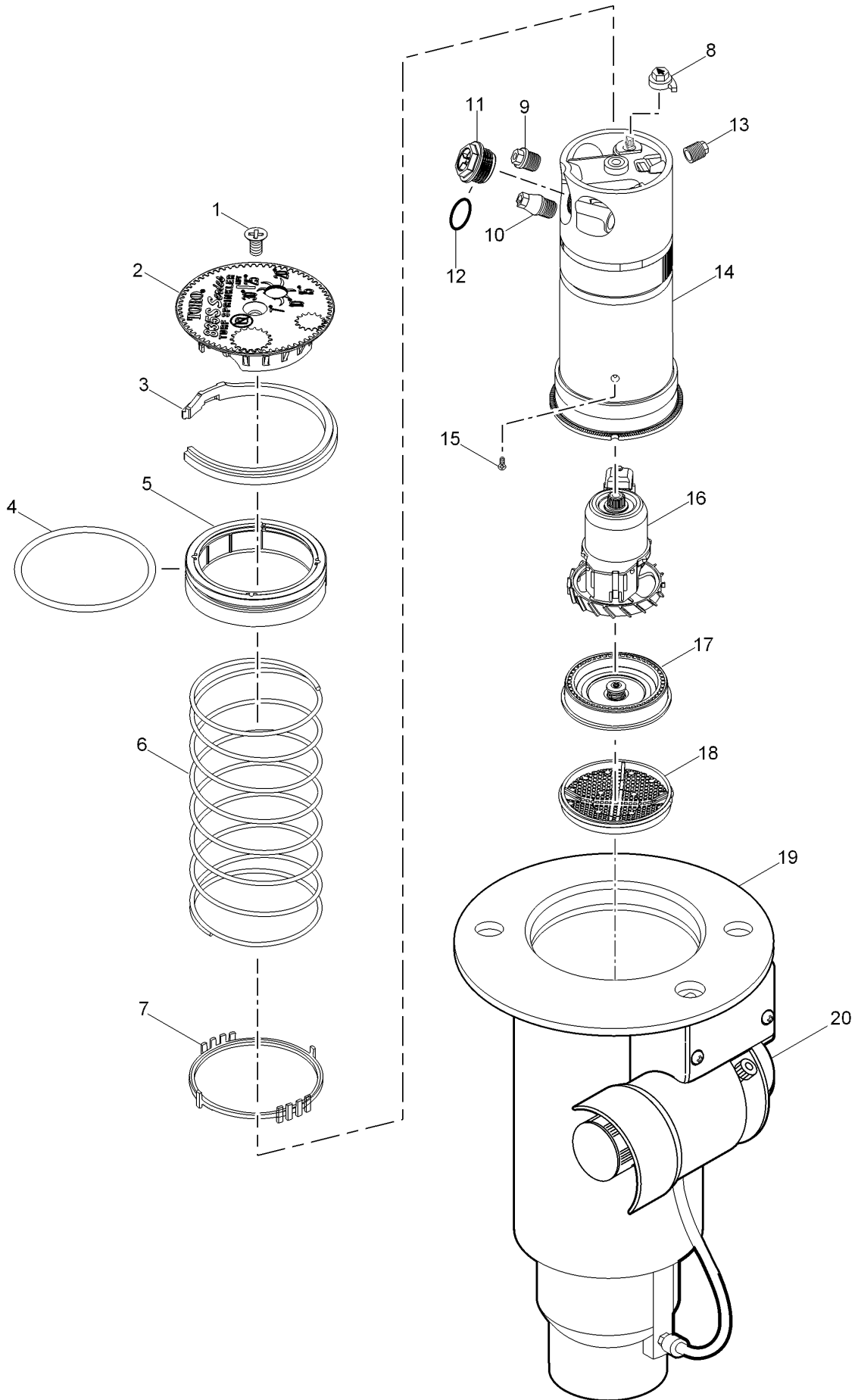
▲ Not illustrated

□ Order Through Finished Goods Distribution System - Minneapolis

■ SERVICE TOOLS

◆ Not serviced separately

835S Series Sprinklers



835S Series Sprinklers (continued)

| <i>Ref.</i> | <i>Part Number</i> | <i>Qty.</i> | <i>Description</i> | <i>Ref.</i> | <i>Part Number</i> | <i>Qty.</i> | <i>Description</i> |
|-------------|--------------------|-------------|--|-------------|--------------------|-------------|--|
| 1 | 102-6138 | 1 | Screw, Cap, Black | 20 | | 1 | Pilot Valve Assembly (See Pilot Valve Assembly Section) ◻ ◆ |
| 2 | 102-2295 | 1 | Cap, 835S | | 102-2041 | | Restrictor, Yellow, Inner Nozzle ● ▲ |
| 2 | 102-2493 | 1 | Cap, Effluent, 835S | | 102-4337 | | Stream Straightener, Intermediate Nozzle ● ▲ |
| 3 | 89-1385 | 1 | Snap Ring, Riser | | 102-2494 | | Cap, Blank, 835S ● ▲ |
| 4 | 363-4102 | 1 | O-Ring, Paraffin As-568 232 | | 102-2495 | | Cap, Blank, Effluent, 835S ● ▲ |
| 5 | 102-0134 | 1 | Retainer, Seal | | YARDMARKYEL | 10 | Yardage Marker, Yellow (10-Sheets Per Pack) ● ▲ |
| 6 | 102-0151 | 1 | Spring, Return | | YARDMARKLAV | 10 | Yardage Marker, Lavender (For Non-Potable Water Applications) ● ▲ |
| 7 | 102-2619 | 1 | Ratchet Ring, 1" | | 835S-3134 | | Conversion Assy., 835S W/ #31, 32, 33, 34 Nozzles ▶ ▲ |
| 8 | 102-5971 | 1 | Trajectory Adjuster | | 835S-3134E | | Conversion Assy., 835S W/ #31, 32, 33, 34 Nozzles, Effluent ▶ ▲ |
| 9 | 102-2925 | 1 | Intermediate Nozzle, Blue (Used W/ #1, #5 & #6 Mains) | | 835S-3537 | | Conversion Assy., 835S W/ #35, 36, 37 Nozzles ▶ ▲ |
| 9 | 102-2926 | 1 | Intermediate Nozzle, Orange (Used W/ #3, #4 & #7 Mains) | | 835S-3537E | | Conversion Assy., 835S W/ #35, 36, 37 Nozzles, Effluent ▶ ▲ |
| 9 | 102-2928 | 1 | Intermediate Nozzle, Red (Used W/ #2 Main) | | 995-08 | | Valve Removal Tool ■ ▲ |
| 10 | 102-2910 | 1 | Nozzle Assembly, Inner | | 995-15 | | Selector Tool (Flag Key) ■ ▲ |
| 11 | 102-2208 | 1 | Nozzle, Main, #0, Blank, White | | 995-76 | | Valve Insertion Tool ■ ▲ |
| 11 | 102-4587 | 1 | Nozzle, Main, #1, Yellow | | 995-83 | | Multi-Purpose Tool ■ ▲ |
| 11 | 102-4588 | 1 | Nozzle, Main, #2, Blue | | 995-85 | | Riser Removal Tool ■ ▲ |
| 11 | 102-4589 | 1 | Nozzle, Main, #3, Brown | | 995-99 | | Nut Driver, 5/8" (For Main Nozzle) ■ ▲ |
| 11 | 102-0728 | 1 | Nozzle, Main, #4, Orange | | 995-105 | | Nut Driver, 5/16" (For Inner & Intermediate Nozzles And Plugs) ■ ▲ |
| 11 | 102-0729 | 1 | Nozzle, Main, #5, Green | | 995-100 | | Valve Snap Ring Pliers With Screen Remover ■ ▲ |
| 11 | 102-0730 | 1 | Nozzle, Main, #6, Gray | | 995-102 | | Riser Hold-Up Tool, Universal ■ ▲ |
| 11 | 102-4261 | 1 | Nozzle, Main, #7, Black | | 118-0954 | 1 | Riser Hold-Up Tool, Red ■ ▲ |
| 12 | 363-4978 | 1 | O-Ring, Main Nozzle | | | | |
| 13 | 102-4335 | 1 | Plug, Nozzle | | | | |
| 14 | 102-2892 | 1 | Riser Assembly | | | | |
| 15 | 363-4236 | 1 | Screw, Drive | | | | |
| 16 | 102-4504 | 1 | Drive Assy., 12-Pack | | | | |
| 17 | 102-6929 | 1 | Stator, Low Flow, High Velocity, Blue (Used W/ #0 Main) | | | | |
| 17 | 102-1939 | 1 | Stator Assembly, Low Flow, Yellow (Used W/ #1-#4 Mains) | | | | |
| 17 | 102-1940 | 1 | Stator Assembly, Medium Flow, White (Use W/ #5-#7 Mains) | | | | |
| 18 | 102-1715 | 1 | Screen, Riser | | | | |
| 19 | | 1 | Body Assembly (See Golf Sprinkler Body Assembly Section) ◻ ◆ | | | | |

● SERVICE ITEMS

▲ Not illustrated

◻ See Pilot Valve Assembly Section.

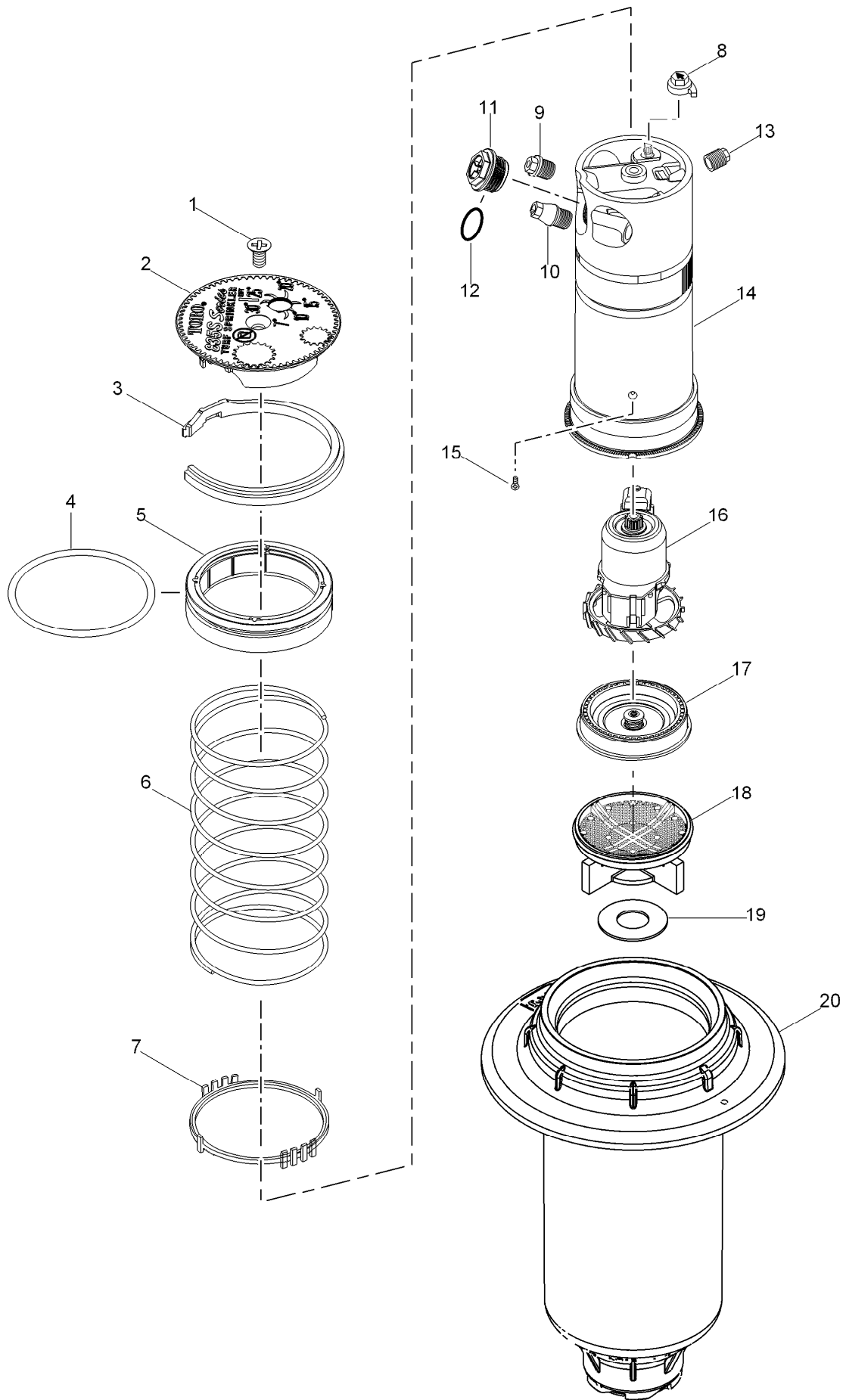
▶ Order Through Finished Goods Distribution System - Minneapolis

■ SERVICE TOOLS

◆ Not serviced separately

○ See Golf Sprinkler Body Assembly Section.

835B Series Sprinkler



835B Series Sprinkler (continued)

| <i>Ref.</i> | <i>Part Number</i> | <i>Qty.</i> | <i>Description</i> | <i>Ref.</i> | <i>Part Number</i> | <i>Qty.</i> | <i>Description</i> |
|-------------|--------------------|-------------|--|-------------|--------------------|-------------|---|
| 1 | 102-6138 | 1 | Screw, Cap, Black | 17 | 102-6929 | 1 | Stator, Low Flow, High Velocity, Blue ((Use W/ #0 Main) |
| 2 | 102-2295 | 1 | Cap, 835S | | | | |
| 2 | 102-2493 | 1 | Cap, Effluent, 835S | 17 | 102-1939 | 1 | Stator Assembly, Low Flow, Yellow (Use W/ #1-#4 Mains) |
| 3 | 89-1385 | 1 | Snap Ring, Riser | 17 | 102-1940 | 1 | Stator Assembly, Medium Flow, White (Use W/ #5-#8 Mains) |
| 4 | 363-4102 | 1 | O-Ring, Paraffin As-568 232 | 18 | 102-5152 | 1 | Screen, Riser, W/ Check Seal Holder |
| 5 | 102-0134 | 1 | Retainer, Seal | 19 | 102-7437 | 1 | Seal, Check |
| 6 | 102-0151 | 1 | Spring, Return | 20 | 102-7419 | 1 | Body, Npt |
| 7 | 102-2619 | 1 | Ratchet Ring, 1" | 20 | 102-7420 | 1 | Body, Bsp |
| 8 | 102-5971 | 1 | Trajectory Adjuster | 20 | 102-7421 | 1 | Body, Acme |
| 9 | 102-2925 | 1 | Intermediate Nozzle, Blue (Use W/ #1, #5, #6 & #8 Mains) | | 102-2041 | | Restrictor, Yellow, Inner Nozzle ●▲ |
| 9 | 102-2926 | 1 | Intermediate Nozzle, Orange (Use W/ #3, #4 & #7 Mains) | | 102-4337 | 1 | Stream Straightener, Intermediate Nozzle ●▲ |
| 9 | 102-2928 | 1 | Intermediate Nozzle, Red (Use W/ #2 Main) | | 102-2494 | | Cap, Blank, 835S ●▲ |
| 10 | 102-2910 | 1 | Nozzle Assembly, Inner | | 102-2495 | | Cap, Blank, Effluent, 835S ●▲ |
| 11 | 102-2208 | 1 | Nozzle, Main, #0, Blank, White | | 995-83 | | Multi-Purpose Tool ■▲ |
| 11 | 102-4587 | 1 | Nozzle, Main, #1, Yellow | | 995-85 | | Riser Removal Tool ■▲ |
| 11 | 102-4588 | 1 | Nozzle, Main, #2, Blue | | 995-99 | | Nut Driver, 5/8" (For Main Nozzle) ■▲ |
| 11 | 102-4589 | 1 | Nozzle, Main, #3, Brown | | 995-105 | | Nut Driver, 5/16" (For Inner & Intermediate Nozzles And Plugs) ■▲ |
| 11 | 102-0728 | 1 | Nozzle, Main, #4, Orange | | 995-102 | | Riser Hold-Up Tool, Universal ■▲ |
| 11 | 102-0729 | 1 | Nozzle, Main, #5, Green | | 118-0954 | 1 | Riser Hold-Up Tool, Red ■▲ |
| 11 | 102-0730 | 1 | Nozzle, Main, #6, Gray | | | | |
| 11 | 102-4261 | 1 | Nozzle, Main, #7, Black | | | | |
| 11 | 102-4260 | 1 | Nozzle, Main, #8, Red | | | | |
| 12 | 363-4978 | 1 | O-Ring, Main Nozzle | | | | |
| 13 | 102-4335 | 1 | Plug, Nozzle | | | | |
| 14 | 102-2892 | 1 | Riser Assembly | | | | |
| 15 | 363-4236 | 1 | Screw, Drive | | | | |
| 16 | 102-4504 | 1 | Drive Assy., 12-Pack | | | | |

● SERVICE ITEMS
▲ Not illustrated

■ SERVICE TOOLS



Count on it.