



Count on it.

Parts Catalog

860S Golf Sprinkler Series

Model No. 860S Series

Ordering Replacement Parts

To order replacement parts, please supply the part number, the quantity, and the description of each part desired.

Understanding Reference Numbers

Each identified part in an illustration has a reference number. The reference number for a part also appears in the parts list, along with other information about the part.

This catalog uses two special reference number formats, one to indicate parts in a service assembly and another to indicate the quantity of a given part in an illustration.

Service Assembly Reference Numbers

Parts in service assemblies have reference numbers in the form a:b. The a represents the reference number of the entire service assembly and the b represents a sequential number unique to each part within the service assembly.

For example, a wheel assembly might be identified by reference number 6, the tire by 6:1, the valve by 6:2, and the wheel by 6:3. When you order the assembly identified by reference number 6, you receive all parts identified by reference numbers 6:1, 6:2, and 6:3. However, you may also order any part individually. Reference numbers of this type appear in illustration and in parts lists.

Reference Numbers Indicating Quantity

In an illustration, if a reference number indicates more than one part, the reference number has the form nX y. The n represents the quantity of the part, the X is the multiplication symbol, and the y represents the reference number.

For example, in an illustration, the reference number 2X 37 means that two of the parts identified by reference number 37 are indicated.

List of Abbreviations

AR: as required

ASM: assembly

BBC: blade brake control

BHTF: button head thread forming

CARR: carriage

CCW: counter clockwise

CW: clockwise

DEG: degrees

DPA: Dual Point Adjustment

ECM: electronic control module

EXT: external

FH: flat head

GA: gauge

HD: heavy-duty

HF: hex flange

HH: hex head

HHF: hex head flange

HHFTF: hex head flange thread forming

HJ: hex jam

HLH: hex lag head

HOC: height-of-cut

HSBH: hex socket button head

HSFH: hex socket flat head

HSH: hex socket head

HWH: hex washer head

HWHTF: hex washer head thread forming

HYD: hydraulic

LH: left hand

LP: Liquid Propane

NI: nylon insert

NPTF: national pipe thread fine

PFH: phillips flat head

PPH: phillips pan head

PPHTF: phillips pan head thread forming

PRH: phillips round head

PTH: phillips truss head

PTO: power-take-off

RH: right hand

ROPS: roll-over protection system

RRB: rear roller brush

SFH: slotted fillister head

SHH: slotted hex head

SHWH: slotted hex washer head

SPH: slotted pan head

SQH: square head

SRH: slotted round head

STD: standard

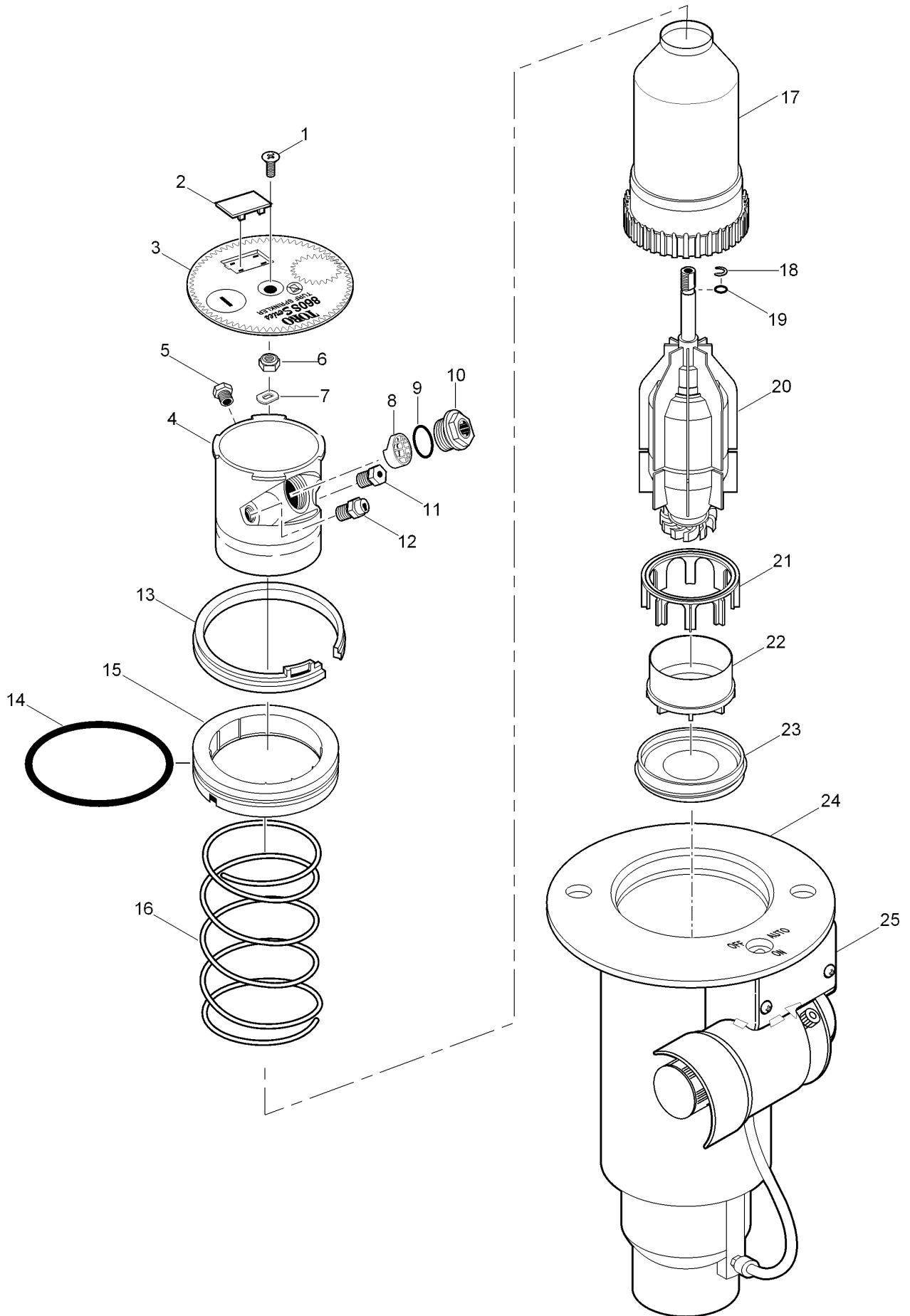
TAP: self tapping

TTH: torx truss head

Contents

860S Series Sprinkler 4

860S Series Sprinkler



860S Series Sprinkler (continued)

<i>Ref.</i>	<i>Part Number</i>	<i>Qty.</i>	<i>Description</i>	<i>Ref.</i>	<i>Part Number</i>	<i>Qty.</i>	<i>Description</i>
1	102-1950	1	Screw, Cap, Stainless Steel, Full-Circle Models	21	89-1958	1	Stator Support
1	363-4125	1	Screw, Cap, Black, Part-Circle Models	22	89-1957	1	Stator, Variable
2	89-1589	1	Plug, Cap (Black)	23	89-1588	1	Screen
3	102-1947	1	Cap, 860S	24		1	Body Assembly (See Golf Sprinkler Body Assembly Section) ◻ ◆
3	102-2082	1	Cap, 860S, Effluent	25		1	Pilot Valve Assembly (See Pilot Valve Assembly Section) ◻ ◆
4	102-2153	1	Nozzle Base Assembly		102-2208		Nozzle, Main, #0, Blank, White ● ▲
5	102-0840	1	Nozzle, Inner/Intermediate, Blank, Red		102-0840		Nozzle, Inner/Intermediate, Blank, Red ● ▲
6	363-4039	1	Nut, 5/16-24, W/ Nylon Lock		102-2135		Nozzle, Inner, Back, High Flow, White ● ▲
7	102-1951	1	Alignment Washer		102-2136		Nozzle, Inner, Back, Low Flow, Yellow ● ▲
8	102-1949	1	Stream Straightener		363-4220		Screw, Radius Adjust ● ▲
9	363-4978	1	O-Ring, Main Nozzle		102-2506		Cap, 860S, W/O Graphics ● ▲
10	102-0725	1	Nozzle, Main, #1, Yellow		102-2507		Cap, 860S, W/O Graphics, Effluent ● ▲
10	102-0726	1	Nozzle, Main, #2, Blue		YARDMARKYEL	10	Yardage Marker, Yellow (10-Sheets Per Pack) ● ▲
10	102-0727	1	Nozzle, Main, #3, Brown		YARDMARKLAV	10	Yardage Marker, Lavender (For Non-Potable Water Applications) ● ▲
10	102-0728	1	Nozzle, Main, #4, Orange		995-08		Valve Removal Tool ■ ▲
10	102-0729	1	Nozzle, Main, #5, Green		995-15		Selector Tool (Flag Key) ■ ▲
10	102-0730	1	Nozzle, Main, #6, Gray		995-76		Valve Insertion Tool ■ ▲
10	102-4261	1	Nozzle, Main, #7, Black		995-79		Nut Driver, 7/16" (For Inner And Intermediate Nozzles) ■ ▲
11	102-0608	1	Nozzle, Intermediate, Orange (Use W/ #1 Main)		995-80		Nut Driver, 1/2" ■ ▲
11	102-0609	1	Nozzle, Intermediate, Gray (Use W/ #2 Main)		995-82		Arc Adjustment Tool, 3/32" (T-Handle Hex Wrench) ■ ▲
11	102-0610	1	Nozzle, Intermediate, Red (Use W/ #3 & #4 Mains)		995-83		Multi-Purpose Tool ■ ▲
11	102-0823	1	Nozzle, Intermediate, Beige (Use W/ #5 & #6 Mains)		995-85		Riser Removal Tool ■ ▲
11	102-2005	1	Nozzle, Intermediate, Red (Use W/ #7 Main)		995-99		Nut Driver, 5/8" (For Main Nozzle) ■ ▲
12	102-2980	1	Nozzle Assy. Inner, Red (W/ Restrictor)		995-100		Valve Snap Ring Pliers With Screen Remover ■ ▲
13	89-1385	1	Snap Ring, Riser		995-102		Riser Hold-Up Tool, Universal ■ ▲
14	363-4102	1	O-Ring, Paraffin As-568 232		118-0954	1	Riser Hold-Up Tool, Red ■ ▲
15	102-0134	1	Retainer, Seal				
16	102-0151	1	Spring, Return				
17	89-6360	1	Riser Assembly				
18	102-2039	1	Support Washer				
19	360-0497	1	O-Ring, EI (0.070 X 0.239 X 0.379)				
20	102-4499	1	Drive Assembly, Pc, (Includes Items 18 & 19), 12-Pack				
20	102-4498	1	Drive Assembly, Fc, (Includes Items 18 & 19), 12-Pack				

● SERVICE ITEMS

▲ Not illustrated

◻ See Pilot Valve Assembly Section.

■ SERVICE TOOLS

◆ Not serviced separately

○ See Golf Sprinkler Body Assembly Section.



Count on it.