



**Count on it.**

**Parts Catalog**

**Pro Control™ XP Spray System**

**Multi-Pro® 5800 Turf Sprayer**

**Model No. 41604—Serial No. 311000476 and Up**

# Ordering Replacement Parts

To order replacement parts, please supply the part number, the quantity, and the description of each part desired.

## Understanding Reference Numbers

Each identified part in an illustration has a reference number. The reference number for a part also appears in the parts list, along with other information about the part.

This catalog uses two special reference number formats, one to indicate parts in a service assembly and another to indicate the quantity of a given part in an illustration.

## Service Assembly Reference Numbers

Parts in service assemblies have reference numbers in the form a:b. The a represents the reference number of the entire service assembly and the b represents a sequential number unique to each part within the service assembly.

For example, a wheel assembly might be identified by reference number 6, the tire by 6:1, the valve by 6:2, and the wheel by 6:3. When you order the assembly identified by reference number 6, you receive all parts identified by reference numbers 6:1, 6:2, and 6:3. However, you may also order any part individually. Reference numbers of this type appear in illustration and in parts lists.

## Reference Numbers Indicating Quantity

In an illustration, if a reference number indicates more than one part, the reference number has the form nX y. The n represents the quantity of the part, the X is the multiplication symbol, and the y represents the reference number.

For example, in an illustration, the reference number 2X 37 means that two of the parts identified by reference number 37 are indicated.

# List of Abbreviations

**AR:** as required

**ASM:** assembly

**BBC:** blade brake control

**BHTF:** button head thread forming

**CARR:** carriage

**CCW:** counter clockwise

**CW:** clockwise

**DEG:** degrees

**DPA:** Dual Point Adjustment

**ECM:** electronic control module

**EXT:** external

**FH:** flat head

**GA:** gauge

**HD:** heavy-duty

**HF:** hex flange

**HH:** hex head

**HHF:** hex head flange

**HHFTF:** hex head flange thread forming

**HJ:** hex jam

**HLH:** hex lag head

**HOC:** height-of-cut

**HSBH:** hex socket button head

**HSFH:** hex socket flat head

**HSH:** hex socket head

**HWH:** hex washer head

**HWHTF:** hex washer head thread forming

**HYD:** hydraulic

**LH:** left hand

**LP:** Liquid Propane

**NI:** nylon insert

**NPTF:** national pipe thread fine

**PFH:** phillips flat head

**PPH:** phillips pan head

**PPHTF:** phillips pan head thread forming

**PRH:** phillips round head

**PTH:** phillips truss head

**PTO:** power-take-off

**RH:** right hand

**ROPS:** roll-over protection system

**RRB:** rear roller brush

**SFH:** slotted fillister head

**SHH:** slotted hex head

**SHWH:** slotted hex washer head

**SPH:** slotted pan head

**SQH:** square head

**SRH:** slotted round head

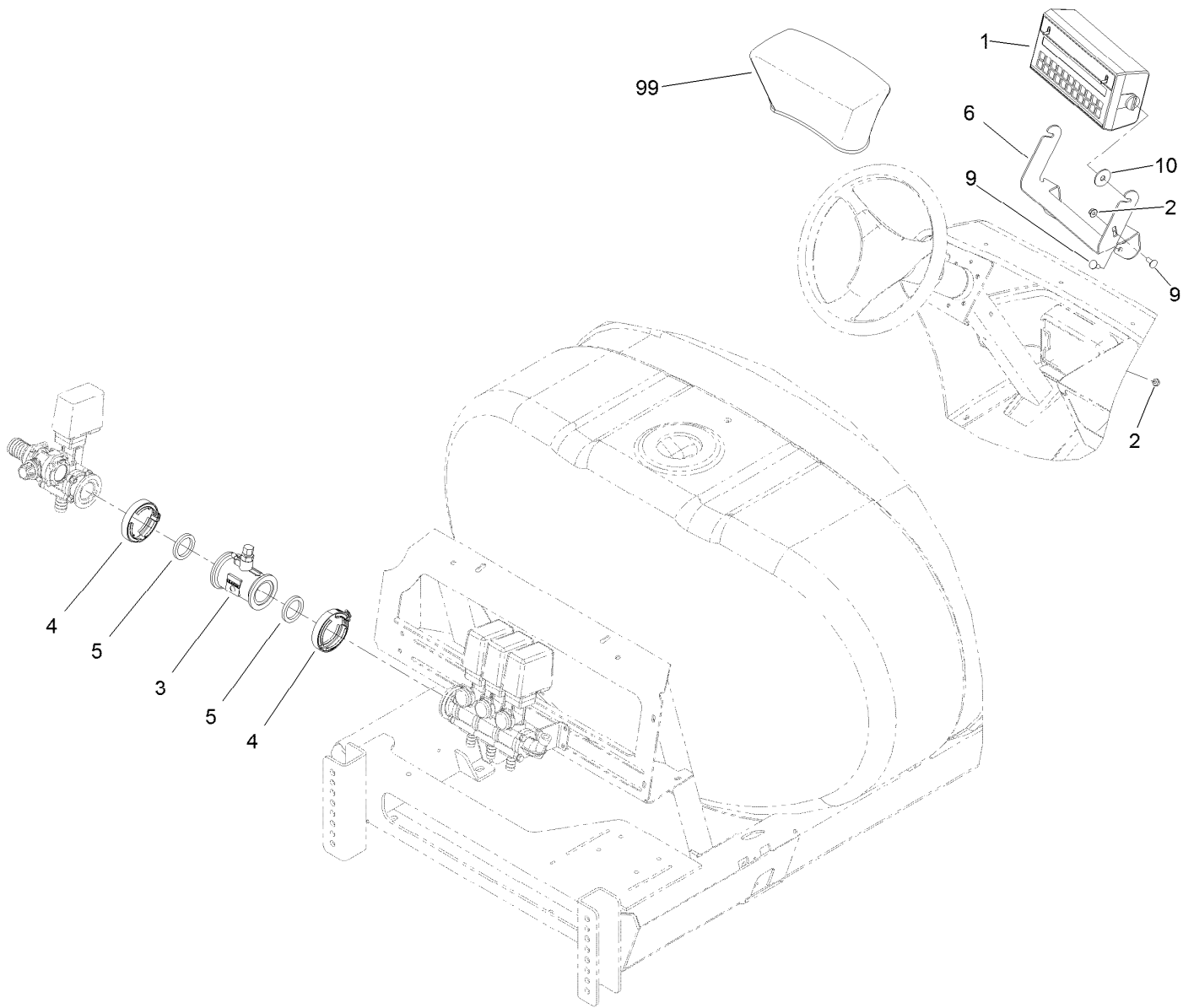
**STD:** standard

**TAP:** self tapping

**TTH:** torx truss head

# Contents

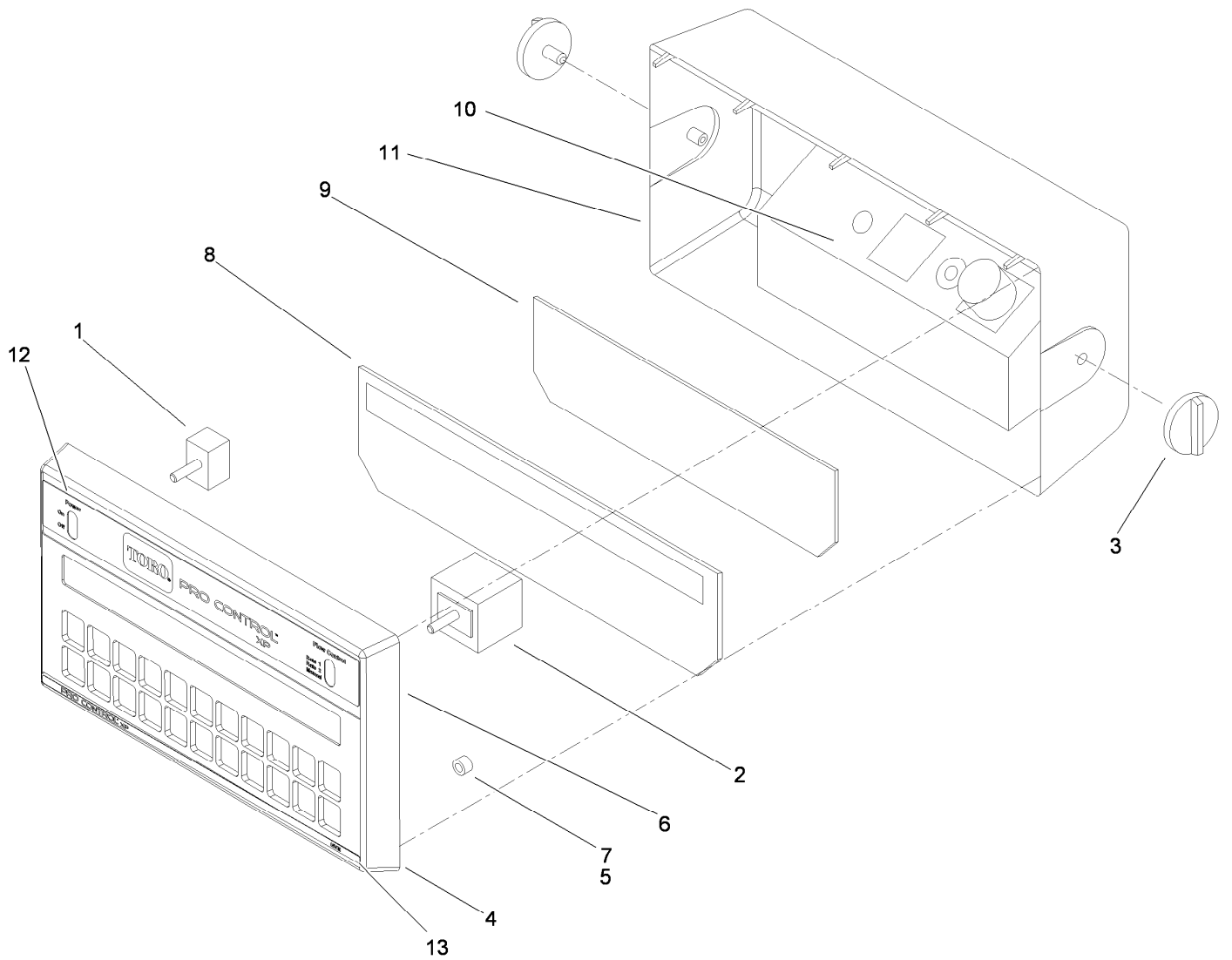
Pro Control XP Spray System .....	4
Pro Control XP Console Assembly No. 119-4890 .....	5
Flow Meter Assembly No. 106-1038 .....	6



## Pro Control XP Spray System

Ref.	Part Number	Qty.	Description
1	119-4890	1	Console-Pro Control, Xp
2	104-8300	3	Nut-Flange, NI
3	106-1038	1	Flow Meter ASM
4	104-9089	1	Clamp-Screw, Worm
5	104-9090	1	Gasket
6	120-0760-03	1	Bracket-Monitor
9	3230-23	3	Screw-CARR
10	20-4320	2	Washer-Rubber
99	11-082-T	1	Pro Control Xp Guide ●
99	41344	1	Cover-Console

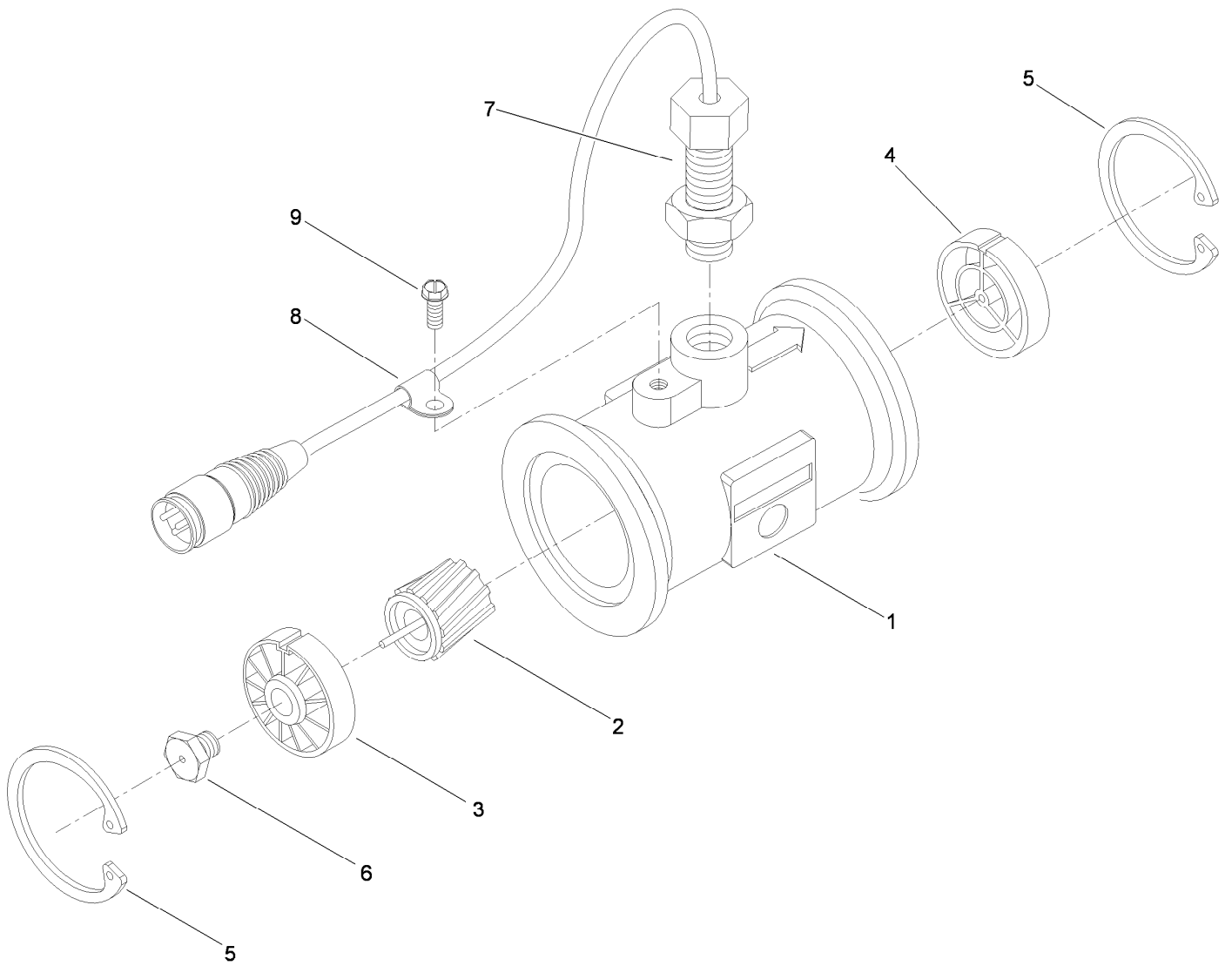
● Not illustrated



## Pro Control XP Console Assembly No. 119-4890

Ref.	Part Number	Qty.	Description
1	42722	1	Switch-Power
2	42723	1	Switch-Rate, Manual
3	41473	2	Knob
4	120-0681	1	Switch-Cover
5	93-0908	1	Spacers-Filler, 1 Set
6	120-0680	1	Face Plate ASM
7	93-0910	1	Spacer-Board, Display
8	106-1207	1	Board-Display, Lcd
9	120-0679	1	Board-Processor
10	120-0678	1	Connector Plate ASM
11	94-8543	1	Console Back ASM
12	119-4985	1	Decal-Control
13	119-4984	1	Decal-Console
99	120-0677	1	Chip-Pro Control, Xp ●
99	106-4988	1	Tool-Extractor ●

● Not illustrated



## Flow Meter Assembly No. 106-1038

<i>Ref.</i>	<i>Part Number</i>	<i>Qty.</i>	<i>Description</i>
1	106-1042	1	Body-Meter, Flow
2	104-9059	1	Rotor / Magnet ASM
3	104-9060	1	Upstream Hub And Bearing ASM
4	104-9061	1	Downstream Hub ASM
5	104-9062	2	Ring-Retaining, Internal
6	42480	1	Stud-Turbine (W / Bearing)
7	104-9065	1	External Sensor ASM
8	104-9063	1	Clamp-Cable
9	104-9064	1	Screw-HWHTF

**Notes:**



**Count on it.**