



**Count on it.**

**Operator's Manual**

**8 and 11-Blade DPA Cutting Unit  
with 7in Reel**

**Reelmaster® 5510/5610 Series Traction Unit**

**Model No. 03696—Serial No. 312000001 and Up**

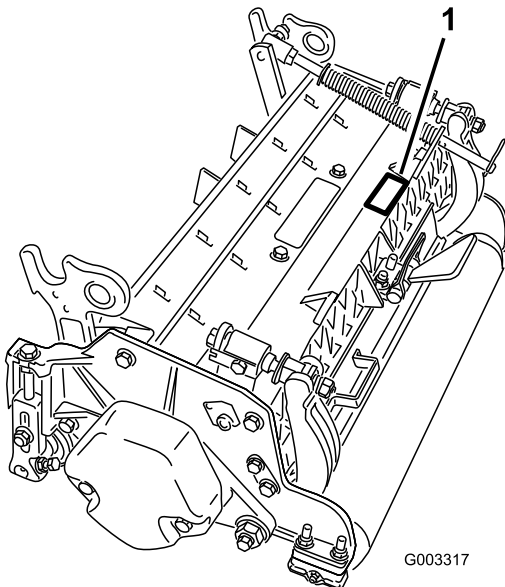
**Model No. 03697—Serial No. 312000001 and Up**

# Introduction

Read this information carefully to learn how to operate and maintain your product properly and to avoid injury and product damage. You are responsible for operating the product properly and safely.

You may contact Toro directly at [www.Toro.com](http://www.Toro.com) for product and accessory information, help finding a dealer, or to register your product.

Whenever you need service, genuine Toro parts, or additional information, contact an Authorized Service Dealer or Toro Customer Service and have the model and serial numbers of your product ready. Figure 1 identifies the location of the model and serial numbers on the product. Write the numbers in the space provided.



**Figure 1**

1. Location of the model and serial numbers

<b>Model No.</b> _____
<b>Serial No.</b> _____

This manual identifies potential hazards and has safety messages identified by the safety alert symbol (Figure 2), which signals a hazard that may cause serious injury or death if you do not follow the recommended precautions.



**Figure 2**

1. Safety alert symbol

This manual uses 2 other words to highlight information. **Important** calls attention to special mechanical information and **Note** emphasizes general information worthy of special attention.

## Contents

Introduction.....	2
Safety .....	3
Safety and Instructional Decals .....	3
Setup .....	4
1 Inspection .....	4
2 Cutting Unit Kickstand .....	4
3 Adjusting the Rear Shield .....	5
4 Mount the Counter Weights .....	5
Product Overview .....	7
Specifications .....	7
Cutting Unit Accessories and Kits (see parts catalog for part numbers).....	7
Operation.....	8
Adjustments.....	8
Height of Cut Chart Terms .....	9
Height of Cut Chart.....	11
Servicing Bedknife .....	14
Maintenance.....	15
Lubrication.....	15
Adjusting the Reel Bearings .....	15
Servicing the Bedbar.....	16
Servicing the HD Dual Point Adjusters (DPA) .....	17
Servicing the Roller .....	18

# Safety

Hazard control and accident prevention are dependent upon the awareness, concern, and proper training of the personnel involved in the operation, transport, maintenance, and storage of the machine. Improper use or maintenance of the machine can result in injury or death. To reduce the potential for injury or death, comply with the following safety instructions.

- Read, understand, and follow all instructions in the traction unit and cutting unit operators manual's before operating the cutting unit.
- Never allow children to operate the traction unit or cutting units. Do not allow adults to operate traction unit or cutting units without proper instruction. Only trained operators who have read this manual should operate the traction unit or cutting units.
- Never operate the cutting units when under the influence of drugs or alcohol.
- Keep all shields and safety devices in place. If a shield, safety device or decal is illegible or damaged, repair or replace it before operation is commenced. Also tighten any loose nuts, bolts, and screws to ensure cutting unit is in safe operating condition.
- Always wear substantial shoes. Do not operate cutting units while wearing sandals, tennis shoes or sneakers. Also, do not wear loose fitting clothing which could get caught in moving parts. Always wear long pants. Wearing safety glasses, safety shoes and a helmet is advisable and required by some local ordinances and insurance regulations.
- Remove all debris or other objects that might be picked up and thrown by the cutting unit reel blades. Keep all bystanders away from the working area.
- If the cutting blades strike a solid object or the unit vibrates abnormally, stop and shut the engine off. Check cutting unit for damaged parts. Repair any damage before restarting and operating the cutting unit.
- Lower the cutting units to the ground and remove key from ignition switch whenever machine is left unattended.
- Be sure cutting units are in safe operating condition by keeping nuts, bolts and screws tight.
- Remove key from ignition switch to prevent accidental starting of the engine when servicing, adjusting or storing the machine.
- Perform only those maintenance instructions described in this manual. If major repairs are ever needed or assistance is desired, contact an Authorized Toro Distributor.
- To ensure optimum performance and safety, always purchase genuine Toro replacement parts and accessories to keep the Toro all TORO. **Never use "will-fit" replacement parts and accessories made by other manufacturers.** Look for the Toro logo to assure genuineness. Using unapproved replacement parts and accessories could void the warranty of The Toro Company.

## Safety and Instructional Decals



Safety decals and instructions are easily visible to the operator and are located near any area of potential danger. Replace any decal that is damaged or lost.



93-6688

1. Warning—read the instructions before servicing or performing maintenance.
2. Cutting hazard of hand or foot—stop the engine and wait for moving parts to stop.

# Setup

## Loose Parts

Use the chart below to verify that all parts have been shipped.

Procedure	Description	Qty.	Use
<b>1</b>	Cutting unit	1	Inspect the cutting unit
<b>2</b>	No parts required	–	Use the kickstand when tipping the cutting unit
<b>3</b>	No parts required	–	Adjust the rear shield
<b>4</b>	No parts required	–	Mount the counter weights

## Media and Additional Parts

Description	Qty.	Use
Parts catalog	1	Review the material and save in an appropriate place:
Operator's Manual	1	
Certificate of Compliance	1	
O-ring	1	Use when mounting reel motor to cutting unit
Screws	2	Use to mount reel motor to cutting unit

**Note:** Determine the left and right sides of the machine from the normal operating position.



## Inspection

### Parts needed for this procedure:

1	Cutting unit
---	--------------

### Procedure

After the cutting unit is removed from the box, inspect the following:

1. Check each end of the reel for grease. Grease should be visibly evident in the reel bearings and internal splines of the reel shaft.
2. Ensure that all nuts and bolts are securely tightened.
3. Make sure the carrier frame suspension operates freely and does not bind when moved back and forth.

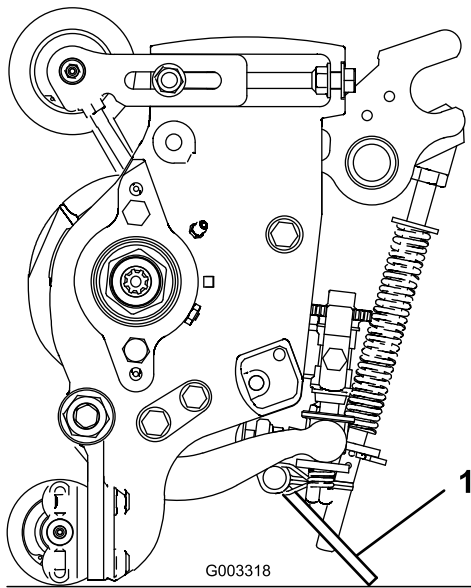


## Cutting Unit Kickstand

### No Parts Required

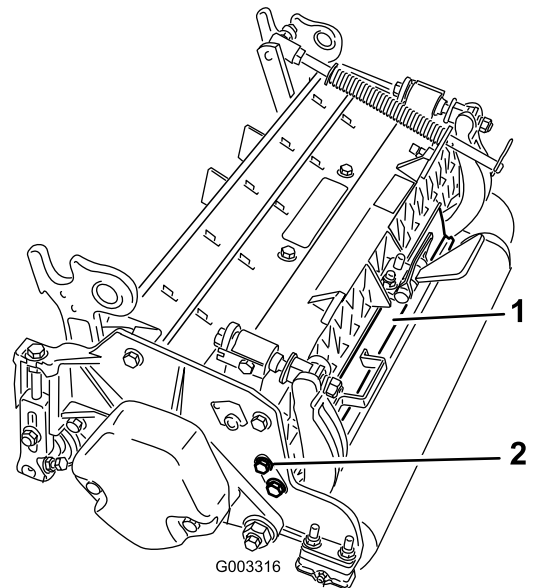
### Procedure

Whenever the cutting unit has to be tipped to expose the bedknife/reel, prop up the rear of the cutting unit with the kickstand (supplied with the traction unit) to make sure the nuts on the back end of the bedbar adjusting screws are not resting on the work surface (Figure 3).



**Figure 3**

1. Cutting unit kickstand



**Figure 4**

1. Rear shield
2. Cap screw

# 3

## Adjusting the Rear Shield

### No Parts Required

### Procedure

Under most conditions, best dispersion is attained when the rear shield is closed (front discharge). When conditions are heavy or wet, rear shield may be opened.

To open the rear shield (Figure 4), loosen the cap screw securing the shield to the left side plate, rotate the shield to the open position and tighten the cap screw.

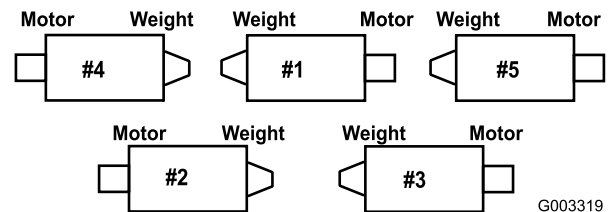
# 4

## Mount the Counter Weights

### No Parts Required

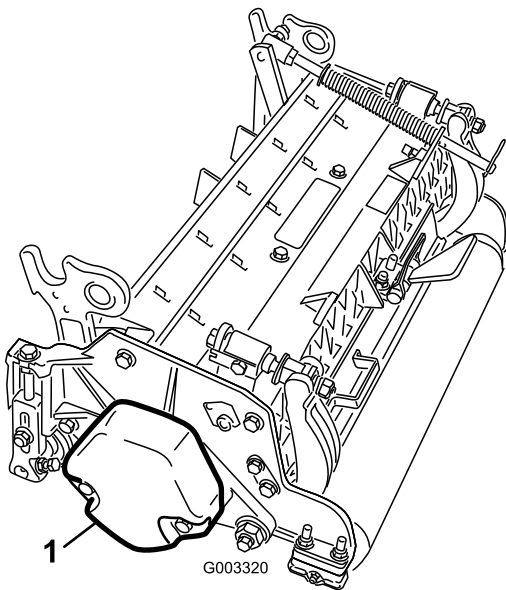
### Procedure

All cutting units are shipped with the counter weight mounted to the left end of the cutting unit. Use the following diagram to determine the position of the counter weights and reel motors.



**Figure 5**

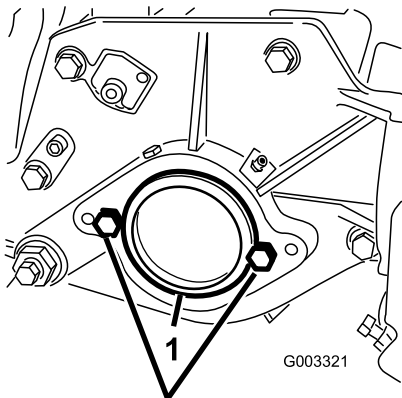
1. On the #2 and #4 cutting units, remove the 2 cap screws securing the counter weight to the left end of the cutting unit. Remove the counter weight (Figure 6).



**Figure 6**

1. Counter weight

2. On right end of cutting unit, remove the plastic plug from the bearing housing (Figure 7).
3. Remove the 2 cap screws from the right side plate (Figure 7).



**Figure 7**

1. Plastic plug
2. Cap screw (2)

4. Install the counter weight to the right end of the cutting unit with the 2 screws previously removed.
5. Loosely install the 2 reel motor mounting cap screws to the left side plate of the cutting unit (Figure 7).

# Product Overview

## Specifications

Weight	8 Blade – 147 lb. (67 kg)
	11 Blade – 151 lb. (69 kg)

### Cutting Unit Accessories and Kits (see parts catalog for part numbers)

**Note:** All accessories and kits are 1 per cutting unit unless otherwise specified.

**Grass Basket Kit:** A series of clipping collection baskets attached to the front of the cutting units to collect grass clippings.

**Rear Lift Cylinder Kit:** Collars assembled on rear cutting unit lift arm cylinders to limit the height of the cutting units. This increases the area for the rear grass baskets.

**Rear Roller Brush Kit:** A high speed, high contact brush that keeps the rear roller free of grass and debris, which maintains a consistent height of cut and prevents clumping. This leads to a better aftercut appearance.

**Groomer Kit:** Rotating blades assembled behind the front roller which provide the best method for reducing grain and spongy turf by standing up the grass before cutting. The groomer also knocks off dew for decreased stickiness and clumping, opens up canopy for better grass clipping integration, and lifts grass for a clean crisp cut. The overall design improves the quality of cut for healthier turf grass while improving the after cut appearance

**Broomer Kit:** Multiple brush strips woven into the helical groomer blades improve the effectiveness of the groomer kit. Performance of the groomer is enhanced by enabling a full width "Brooming" effect of turf while opening up canopy for better grass clipping integration. The combination of groomer and broomer systems optimize the quality of cut and aftercut appearance for more consistent playing conditions.

**Comb/Scraper Kit:** A fixed comb installed behind the front roller which helps reduce grain and spongy turf by standing up the grass before cutting. A scraper for the front Wiehle roller is included in the kit.

**High HOC Kit:** New front roller brackets and additional spacers for the rear roller allows the cutting unit to achieve heights of cut above 1.00 inch (25 mm). The new front roller brackets also move the front roller out farther to improve after-cut appearance.

**Shoulder Roller:** Helps reduce over-lap marks for warm season grasses (Bermuda, Zoysia, Paspalum).

**Collar Kit (6 per needed per roller):** Helps reduce over lap marks for warm season grasses (Bermuda, Zoysia, Paspalum). This kit is installed on the existing Wiehle roller, but is not as aggressive as the Shoulder roller.

**Short Rear Roller:** Helps reduce double roller marks for cool season grasses (Bent, Blue grass, Rye).

**Full Front Roller:** Helps produce more pronounced striping (repeated cutting in the same direction/path), however, effective height of cut is raised and quality of cut is reduced.

**Scrapers (Wiehle, Shoulder, Rear roller, Full Front Roller):** Fixed scrapers for all optional rollers are available for reducing grass build up on rollers which can affect height of cut settings.

**Roller Rebuild Kit:** Includes all the bearings, bearing nuts, inner seals and outer seals required to rebuild a roller.

**Roller Rebuild Tool Kit:** Includes all the tools and the installation instructions required to rebuild a roller with the roller rebuild kit.

# Operation

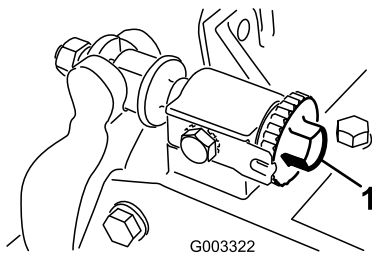
**Note:** Determine the left and right sides of the machine from the normal operating position.

## Adjustments

### Adjusting the Bedknife to the Reel

Bedknife to reel adjustment is accomplished by loosening or tightening bedbar adjusting screws, located on top of mower.

1. Position machine on a flat, level work surface. Make sure reel contact is removed by turning bedbar adjusting screws counterclockwise (Figure 8).



**Figure 8**

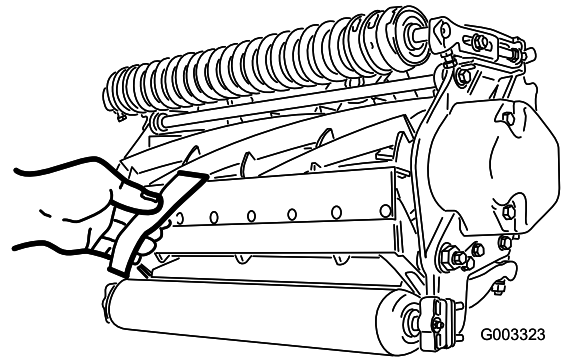
1. Bedbar adjusting screw

2. Tilt mower on back, onto the cutting unit kickstand, to expose bedknife and reel.

**Important:** Make sure nuts on back end of bedbar adjusting screws are not resting on the work surface (Figure 8).

3. At one end of reel, insert a strip of newspaper between reel and bedknife (Figure 9). While slowly rotating reel forward, turn bedbar adjusting screw (Figure 8) clockwise (on same end of reel, one click at a time, until paper is pinched lightly, when inserted from the front, parallel to the bedknife. A slight drag will be noted as the paper is pulled.

**Note:** Each time adjusting screw is rotated one click clockwise, bedknife moves .0009 in (.023 mm) closer to reel. Do not overtighten the adjusting screws.

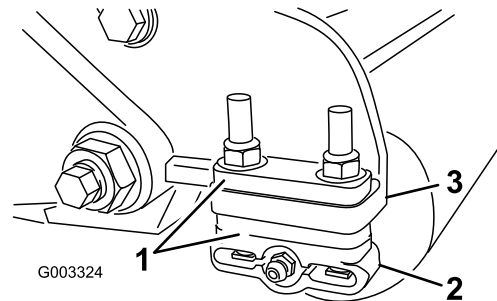


**Figure 9**

4. Check for light contact at other end of reel using paper and adjust as required.
5. After adjustment is accomplished, check to see if reel can pinch paper when inserted from the front and cut paper when inserted at a right angle to the bedknife (Figure 9). It should be possible to cut paper with minimum contact between the bedknife and the reel blades. If excessive contact/reel drag is evident it will be either necessary to back lap or regrind the cutting unit to achieve the sharp edges needed for precision cutting (Refer to the Toro manual for Sharpening Reel and Rotary Mowers, Form No. 80-300PT).

### Adjusting the Rear Roller

1. Adjust the rear roller brackets (Figure 10) to the desired height of cut range by positioning the required amount of spacers below the side plate mounting flange (Figure 10) per the HOC Chart.



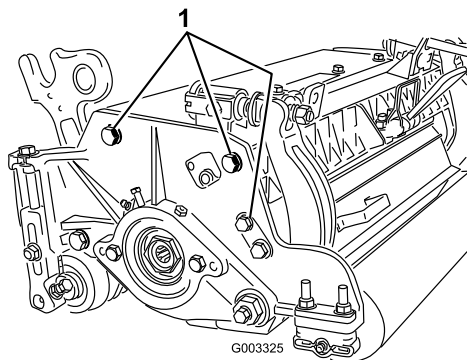
**Figure 10**

1. Spacer
2. Roller bracket
3. Side plate mounting flange

2. Raise rear of cutting unit and place a block under bedknife.
3. Remove (2) nuts securing each roller bracket and spacer to each side plate mounting flange.
4. Lower roller and screws from side plate mounting flanges and spacers.
5. Place spacers onto screws on roller brackets.

6. Re-secure roller bracket and spacers to underside of side plate mounting flanges with nuts previously removed.
7. Verify that bedknife to reel contact is correct. Tip mower to expose front and rear rollers and bedknife.

**Note:** The position of the rear roller to the reel is controlled by the machining tolerances of the assembled components and paralleling is not required. A limited amount of adjustment is possible by setting the cutting unit on a surface plate and loosening the side plate mounting cap screws (Figure 11). Adjust and retighten cap screws. Torque the cap screws to 27-33 ft-lb (37-45 N-m).



**Figure 11**

1. Side plate mounting cap screws

## Height of Cut Chart Terms

### Height of Cut Setting (HOC)

The desired Height of Cut.

### Bench Set Height of Cut

The height at which the top edge of the bedknife is set above a flat level surface that contacts the bottom of both the front and rear roller.

### Effective Height of Cut

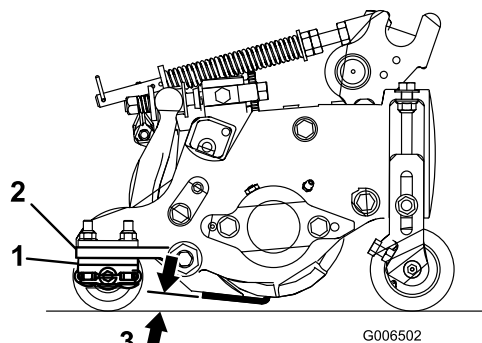
This is the actual height the grass has been cut. For a given bench set height of cut, the actual height of cut will vary depending on the type of grass, time of year, turf and soil conditions. The cutting unit set up (aggressiveness of cut, rollers, bedknives, attachments installed, turf compensation settings, etc.) will also affect the effective height of cut. Check the effective height of cut using the Turf Evaluator, Model 04399 regularly to determine the desired bench set height of cut.

## Aggressiveness of Cut

Cutting unit Aggressiveness of Cut has a significant impact on the performance of the cutting unit. Aggressiveness of Cut refers to the angle of the bedknife relative to the ground (Figure 12).

The best cutting unit setup is dependent on your turf conditions and desired results. Experience with the cutting unit on your turf will determine the best setting to use. Aggressiveness of cut may be adjusted throughout the cutting season to allow for various turf conditions.

In general, less to normal aggressive settings are more appropriate for warm season grasses (Bermuda, Paspalum, Zoysia) while cool season grasses (Bent, Bluegrass, Rye) may require normal to more aggressive setups. More aggressive setups cut more grass off by allowing the spinning reel to pull more grass up into the bedknife.



**Figure 12**

1. Rear spacers
2. Side plate mounting flange
3. Aggressiveness of cut

### Rear Spacers

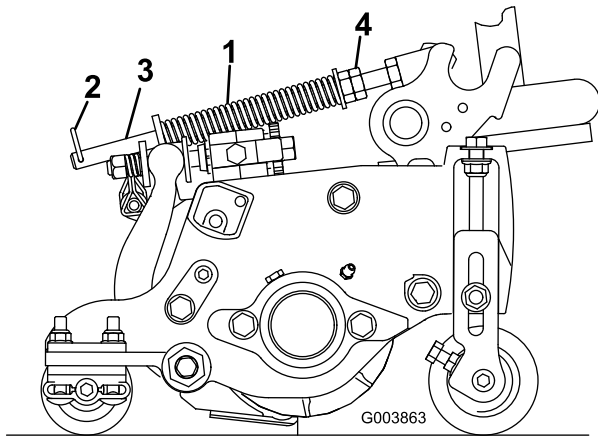
The number of rear spacers determines the aggressiveness of cut for the cutting unit. For a given height of cut, adding spacers, below the side plate mounting flange, increases the aggressiveness of the cutting unit. All cutting units on a given machine must be set to the same aggressiveness of cut (Number of rear spacers, part no. 106-3925), otherwise the after-cut appearance could be negatively affected (Figure 12).

### Turf Compensation Settings

The turf compensation spring transfers the weight from the front to the rear roller. (This helps to reduce a wave pattern in the turf, also known as marcelling or bobbing.)

**Important:** Make spring adjustments with the cutting unit mounted to the traction unit, pointing straight ahead and lowered to the shop floor.

1. Make sure the hairpin cotter is installed in the rear hole in the spring rod (Figure 13).



**Figure 13**

- |                             |               |
|-----------------------------|---------------|
| 1. Turf compensation spring | 3. Spring rod |
| 2. Hair pin cotter          | 4. Hex nuts   |

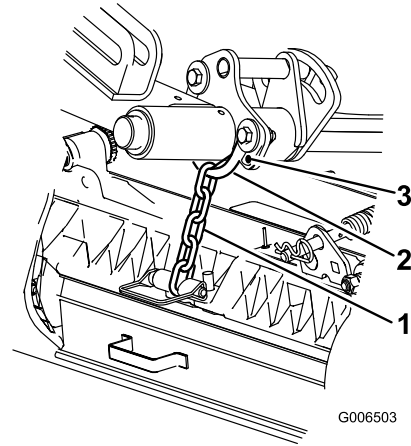
2. Tighten the hex nuts on the front end of the spring rod until the compressed length of the spring is 6.25 inches (15.9 cm) (Figure 13).

**Note:** When operating on rough terrain decrease the spring length by 1/2 inch (12.7 mm). Ground following will be slightly decreased.

**Note:** The turf compensation setting will need to be reset if the HOC setting or the Aggressiveness of Cut setting is changed.

## Chain Links

The location at which the lift arm chain is attached determines the rear roller pitch angle (Figure 14).



**Figure 14**

- |               |                |
|---------------|----------------|
| 1. Lift chain | 3. Bottom hole |
| 2. U Bracket  |                |

## Groomer

These are the recommended height of cut settings when a groomer kit is installed on the cutting unit.

# Height of Cut Chart

HOC Setting	Aggressiveness of Cut	No. of Rear Spacers	No. of Chain Links	With Groomer kits installed
0.250"	Less	0	5	Y
	Normal	0	5	Y
	More	1	5	-
0.375"	Less	0	5	Y
	Normal	1	5	Y
	More	2	5	-
0.500"	Less	0	5	Y
	Normal	1	5	Y
	More	2	5	Y
0.625"	Less	1	5	Y
	Normal	2	5	Y
	More	3	5	-
0.750"	Less	2	5	Y
	Normal	3	5	Y
	More	4	5	-
0.875"	Less	2	5	Y
	Normal	3	5	Y
	More	4	5	-
1.000"	Less	3	5	Y
	Normal	4	5	Y
	More	5	4+	-
1.125"	Less	4	5	-
	Normal	5	5	-
	More	6	5	-
1.250" *	Less	4	5	-
	Normal	5	5	-
	More	6	5	-
1.375" *	Less	4	5	-
	Normal	5	5	-
	More	6	5	-
1.500" *	Less	5	5	-
	Normal	6	5	-
	More	7	5	-
1.625" *	Less	6	4	-
	Normal	7	4	-
	More	8	4	-
1.750" *	Less	6	4	-
	Normal	7	4	-
	More	8	5	-
1.875" *	Less	7	4	-
	Normal	8	5	-
	More	9	5	-
2.000" *	Less	7	5	-
	Normal	8	5	-
	More	9	5	-

+ Indicates the U bracket, on lift arm, is positioned in the bottom hole (Figure 14).

\* High HOC Kit (Part No. 110-9600) must be installed. Front HOC bracket must be positioned in the top side plate hole.

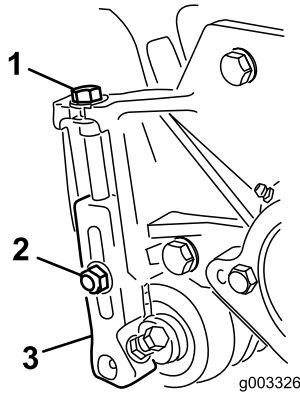
**Note:** Changing one chain link will change the rear roller pitch angle movement by 4.5 degrees.

**Note:** Changing the U bracket, on the lift arm, to the bottom hole will add 2.3 degrees to the rear roller pitch angle

## Adjusting the Height of Cut

**Note:** For heights of cut greater than 1.00 inch the High Height of Cut Kit must be installed.

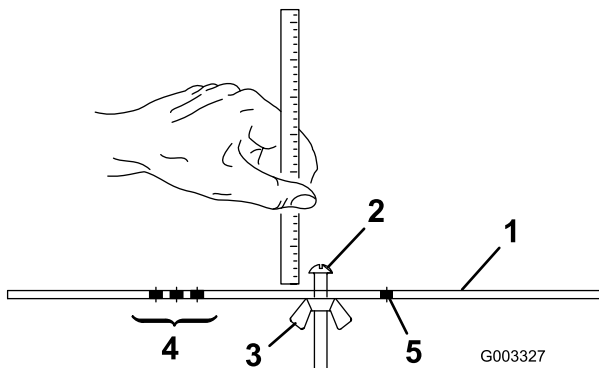
1. Loosen locknuts securing height-of-cut arms to cutting unit side plates (Figure 15).



**Figure 15**

1. Height-of-cut arm
2. Locknut
3. Adjusting screw

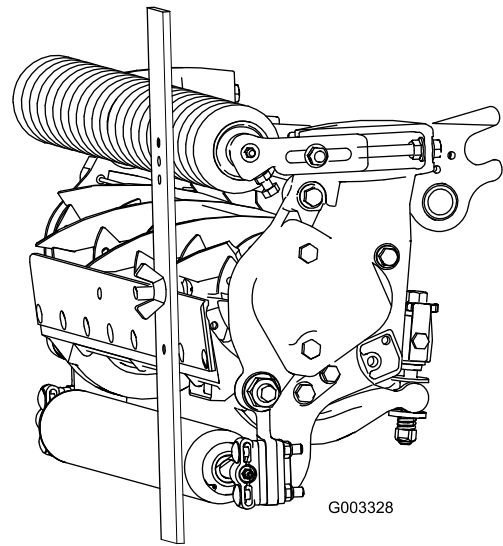
2. Loosen nut on gauge bar (Figure 16) and set adjusting screw to desired height-of-cut. Distance between bottom of screw head and face of bar is height-of-cut.



**Figure 16**

1. Gauge bar
2. Height adjusting screw
3. Nut
4. Holes used for setting Groomer HOG
5. Hole not used

3. Hook the screw head on cutting edge of bedknife and rest rear end of bar on rear roller (Figure 17).
4. Rotate the adjusting screw until the front roller contacts the gauge bar (Figure 17). Adjust both ends of roller until entire roller is parallel to the bedknife.



**Figure 17**

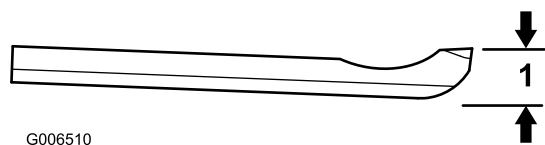
**Important:** When set properly, the rear and front rollers will contact the gauge bar and the screw will be snug against the bedknife. This ensures that the height-of-cut is identical at both ends of the bedknife.

5. Tighten nuts to secure adjustment. Do not overtighten nut. Tighten enough to remove play from washer.

Use the following chart to determine which bedknife is best suited for the desired height of cut.

Bedknife/Height of Cut Chart			
Bedknife	Part No.	Bedknife Lip Height *	Height of Cut
Low HOC (Optional)	110-4084	.220 inch (5.6 mm)	.250-.500 inch (6.4-12.7 mm)
Extended Low HOC (Optional)	120-1640	.220 inch (5.6 mm)	.250-.500 inch (6.4-12.7 mm)
EdgeMax® (Production)	108-9095	.270 inch (6.9 mm)	.375-1.50 inches (9.5-38.1 mm)
Extended EdgeMax® (Optional)	119-4280	.220 inch (5.6 mm)	.250-.500 inch (6.4-12.7 mm)
Standard (Optional)	108-9096	.270 inch (6.9 mm)	.375-2.0 inches (9.5-50.8 mm)
Heavy Duty (Optional)	110-4074	.370 inch (9.3 mm)	.500-2.0 inches (6.4-50.8 mm)

\* Warm season grasses may require the Low HOC bedknife for .500 inches (12.7 mm) and below.



**Figure 18**

1. Bedknife Lip Height \*

## Cutting Unit Characteristics

The dual knob bedknife-to-reel adjustment system incorporated in this cutting unit simplifies the adjustment procedure needed to deliver optimum mowing performance. The precise adjustment possible with the dual knob/bedbar design gives the necessary control to provide a continual self-sharpening action—thus maintaining sharp cutting edges, ensuring good quality-of-cut, and greatly reducing the need for routine back lapping.

## Daily Adjustments of Cutting Unit

Prior to mowing each day, or as required, each cutting unit must be checked to verify proper bedknife-to-reel contact. **This must be performed even though quality of cut is acceptable.**

1. Lower the cutting units onto a hard surface, shut off the engine, and remove the ignition key.
2. Slowly rotate the reel in a reverse direction, listening for reel-to-bedknife contact. If no contact is evident, turn the bedknife adjusting knobs clockwise, one click at a time, until light contact is felt and heard.

**Note:** The reel must cut one sheet of paper, when inserted at a right angle to the bedknife, at both ends and the center of the reel.

**Note:** The adjustment knobs have detents corresponding to 0.0009 in. (0.023 mm) bedknife movement for each indexed position.

3. If excessive contact is needed to cut paper, backlapping or grinding is required.

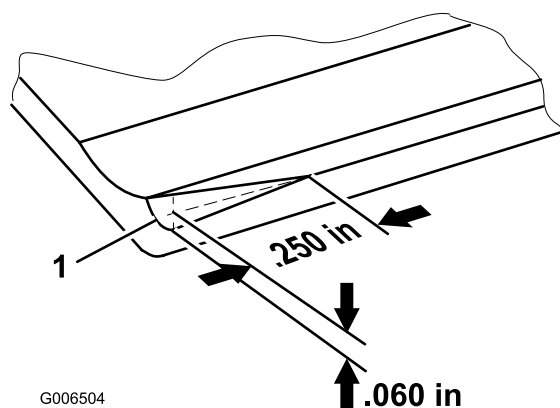
**Important:** Light contact is preferred at all times. If light contact is not maintained, the bedknife/reel edges will not sufficiently self-sharpen and dull cutting edges will result after a period of operation. If excessive contact is maintained, bedknife/reel wear will be accelerated, uneven wear can result, and quality of cut may be adversely affected.

**Note:** As the reel blades continue to run against the bedknife, a slight burr will appear on the front

cutting edge surface along the full length of the bedknife. If a file is occasionally run across the front edge to remove this burr, improved cutting can be obtained.

After extended running, a ridge will eventually develop at both ends of the bedknife. These notches must be rounded off or filed flush with the cutting edge of the bedknife to ensure smooth operation.

**Note:** Over time, the chamfer (Figure 19) will need to be reground as it is only designed to last 40% of the bedknife life.



**Figure 19**

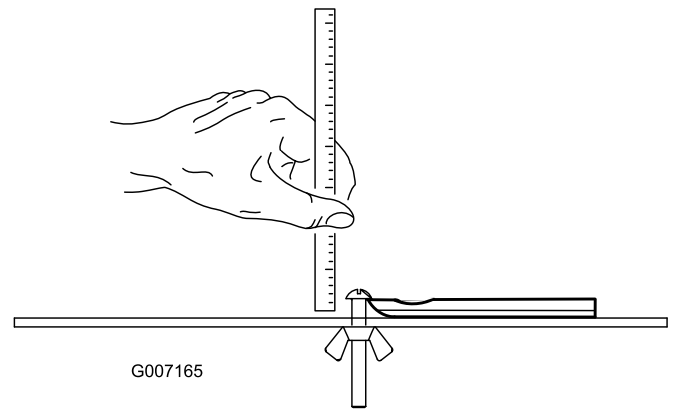
1. Lead-in chamfer on right end of bedknife

**Note:** Do not make lead-in chamfer too large as it may cause turf tufting.

# Servicing Bedknife

The bedknife service limits are listed in the following charts.

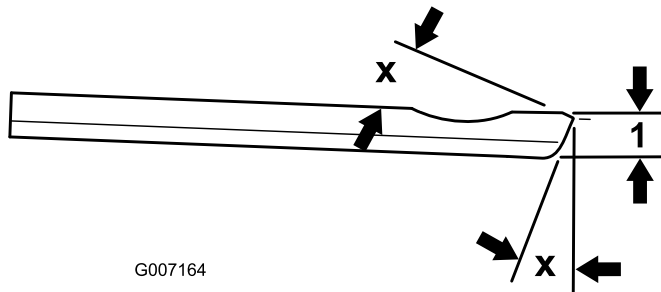
**Important:** Operating the cutting unit with the bedknife below the “service limit” may result in poor after-cut appearance and reduce the structural integrity of the bedknife for impacts.



**Figure 21**

Bedknife Service Limit Chart			
Bedknife	Part No.	Bedknife Lip Height *	Service Limit*
Low HOC (Optional)	110-4084	.220 inch (5.6 mm)	.190 inch (4.8 mm)
Extended Low HOC (Optional)	120-1640	.220 inch (5.6 mm)	.190 inch (4.8 mm)
EdgeMax® (Production)	108-9095	.270 inch (6.9 mm)	.190 inch (4.8 mm)
Extended EdgeMax® (Optional)	119-4280	.220 inch (5.6 mm)	.190 inch (4.8 mm)
Standard (Optional)	108-9096	.270 inch (6.9 mm)	.190 inch (4.8 mm)
Heavy Duty (Optional)	110-4074	.370 inch (9.3 mm)	.190 inch (4.8 mm)

**Note:** The recommended top and front bedknife grind angle is 3 to 7 degrees (Figure 20).



G007164

**Figure 20**

1. Bedknife Service Limit \*

**Note:** All bedknife service limit measurements reference the bottom of the bedknife (Figure 21)

# Maintenance

## Lubrication

Each cutting unit has (6) grease fittings (Figure 22) that must be lubricated regularly with No. 2 General Purpose Lithium Base Grease.

The lubrication points are front roller (2), rear roller (2) and reel bearing (2).

**Note:** Lubricating cutting units immediately after washing helps purge water out of bearings and increases bearing life.

1. Wipe each grease fitting with a clean rag.
2. Apply grease until clean grease is seen coming out of roller seals and bearing relief valve.
3. Wipe excess grease away.

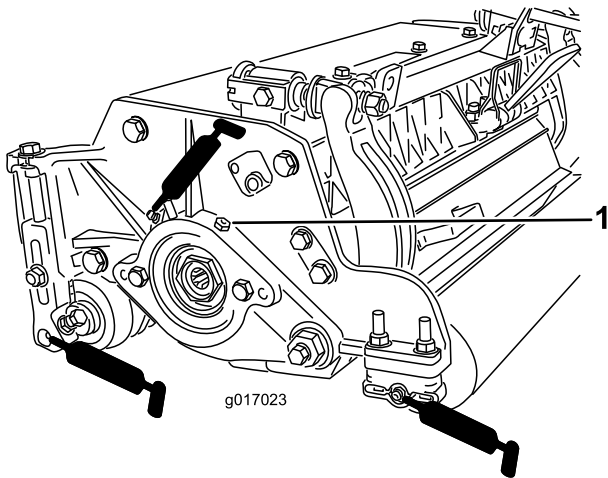


Figure 22

1. Relief valve

## Adjusting the Reel Bearings

To ensure long life of the reel bearings, periodically check if reel end play exists. The reel bearings can be checked and adjusted as follows:

1. Loosen reel to bedknife contact by turning the bedknife adjusting knobs (Figure 23) counterclockwise until no contact exists.

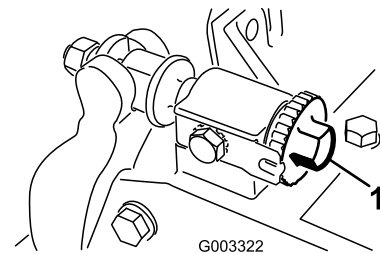


Figure 23

1. Bedknife adjusting knob

2. Using a rag or thickly padded glove, hold on to the reel blade and try to move the reel assembly side to side (Figure 24).

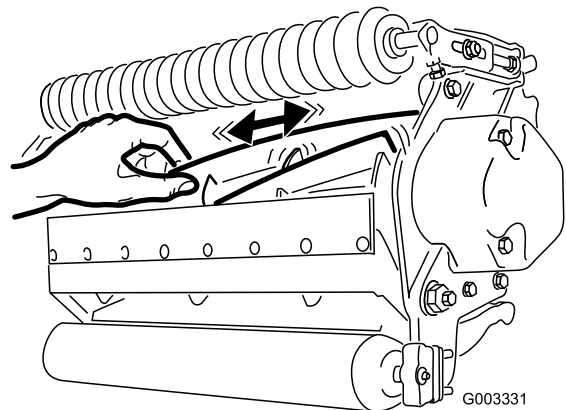


Figure 24

3. If end play exists, proceed as follows:

- A. Loosen external set screw securing bearing adjusting nut to bearing housing located on the left side of the cutting unit (Figure 25).

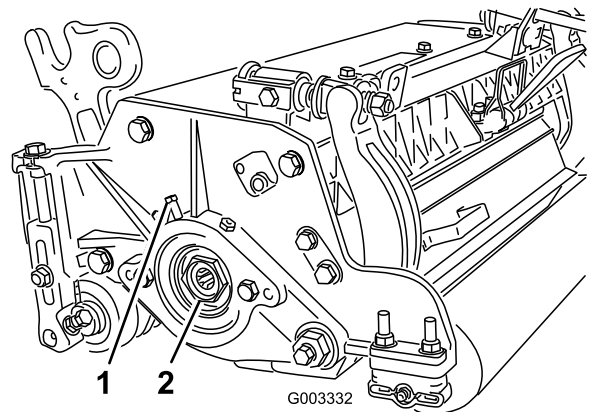


Figure 25

1. Set screw
2. Nut

- B. Using a 1-3/8" socket wrench, slowly tighten the reel bearing adjustment nut until no end play of the reel exists. If adjusting nut does not eliminate reel end play, replace reel bearings.

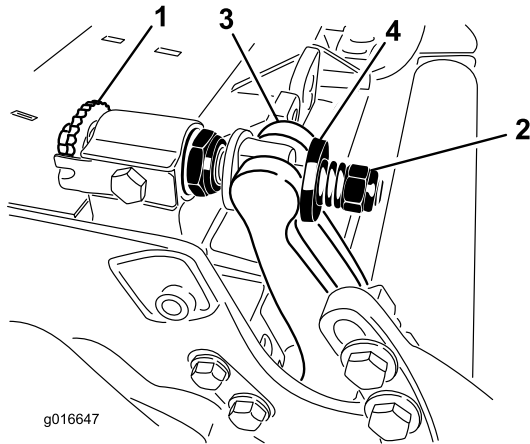
**Note:** Reel bearings do not require preload. Over tightening reel bearing adjuster nut will damage reel bearings.

- Retighten set screw securing bearing adjusting nut to bearing housing. Torque to 12-15 in-lb (1.4-1.7 N-m).

## Servicing the Bedbar

### Removing the Bedbar

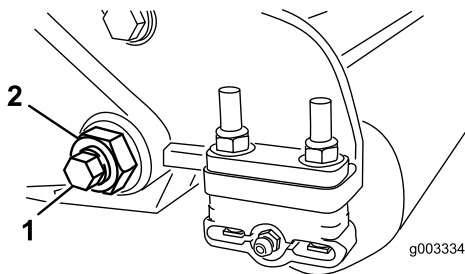
- Turn bedbar adjuster screws, counterclockwise, to back bedknife away from reel (Figure 26).



**Figure 26**

- |                           |           |
|---------------------------|-----------|
| 1. Bedbar adjusting screw | 3. Bedbar |
| 2. Spring tension nut     | 4. Washer |

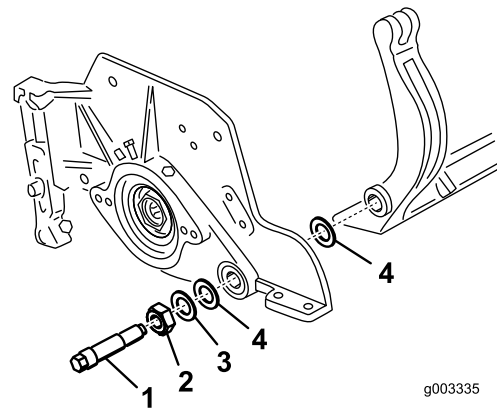
- Back out the spring tension nut, until the washer is no longer tensioned against the bedbar (Figure 26).
- On each side of the machine, loosen the lock nut securing the bedbar bolt (Figure 27).



**Figure 27**

- |                |             |
|----------------|-------------|
| 1. Bedbar bolt | 2. Lock nut |
|----------------|-------------|

- Remove each bedbar bolt allowing bedbar to be pulled downward and removed from machine bolt (Figure 27). Account for 2 nylon and 1 stamped steel washers on each end of bedbar (Figure 28).

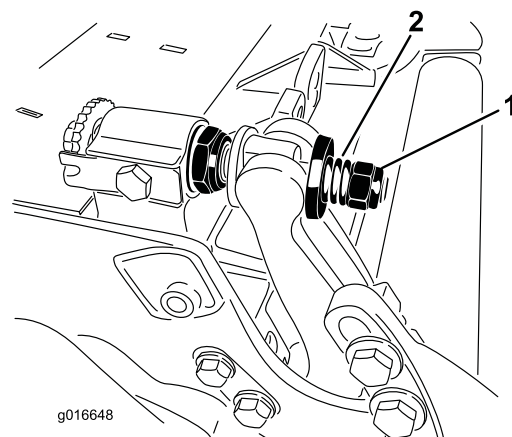


**Figure 28**

- |                |                 |
|----------------|-----------------|
| 1. Bedbar bolt | 3. Steel washer |
| 2. Nut         | 4. Nylon washer |

### Assembling the Bedbar

- Install bedbar, positioning mounting ears between washer and bedbar adjuster.
- Secure bedbar to each side plate with bedbar bolts (nuts on bolts) and 6 washers. A nylon washer is to be positioned on each side of side plate boss. Place a steel washer outside each of the nylon washers (Figure 28). Torque bedbar bolts to 27-33 ft.-lb (37-45 N-m). Tighten locknuts until the outside steel washer stops rotating and end play is removed but do not overtighten or deflect side plates. Washers on inside may have a gap.
- Tighten spring tension nut until spring is collapsed, then back off 1/2 turn (Figure 29).



**Figure 29**

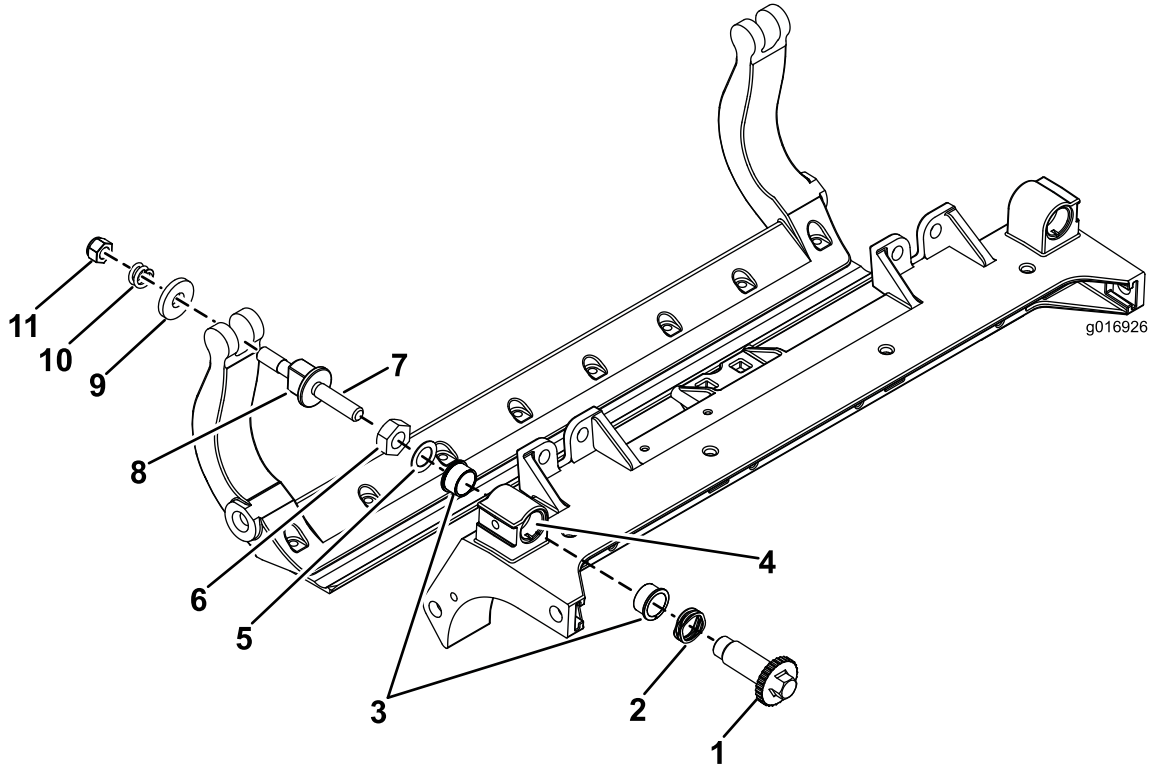
- |                       |           |
|-----------------------|-----------|
| 1. Spring tension nut | 2. Spring |
|-----------------------|-----------|

# Servicing the HD Dual Point Adjusters (DPA)

1. Remove all parts (refer to *Installation Instructions* for HD DPA Kit Model No. 120-7230 and to Figure 30).
2. Apply Never Seize to the inside of the bushing area on cutting unit center frame (Figure 30).
3. Align the keys on flange bushings to the slots in the frame and install the bushings (Figure 30).

4. Install a wave washer onto the adjuster shaft and slide the adjuster shaft into the flange bushings in the cutting unit frame (Figure 30).
5. Secure the adjuster shaft with a flat washer and lock nut (Figure 30). Torque the lock nut to 15 to 20 ft-lb (20 to 27 N-m).

**Note:** The bedbar adjuster shaft has left-hand threads.



**Figure 30**

- |                   |                           |                           |                        |
|-------------------|---------------------------|---------------------------|------------------------|
| 1. Shaft adjuster | 4. Apply Never Seize here | 7. Apply Never Seize here | 10. Compression spring |
| 2. Wave washer    | 5. Flat washer            | 8. Bedbar adjuster screw  | 11. Spring tension nut |
| 3. Flange bushing | 6. Lock nut               | 9. Hardened washer        |                        |

6. Apply Never Seize lubricant to the threads of the bedbar adjuster screw that fit into the adjuster shaft. Thread bedbar adjuster screw into the adjuster shaft.
7. Loosely install the hardened washer, spring and spring tension nut onto adjuster screw.
8. Install the bedbar, positioning the mounting ears between washer and bedbar adjuster.
9. Secure the bedbar to each side plate with the bedbar bolts (nuts on bolts) and 6 washers. A nylon washer is to be positioned on each side of side plate boss. Place a steel washer outside each of the nylon washers (Figure 30). Torque bedbar bolts to 27-33 ft.-lb (37-45 N-m). Tighten locknuts until the outside steel washer stops rotating and end play is removed

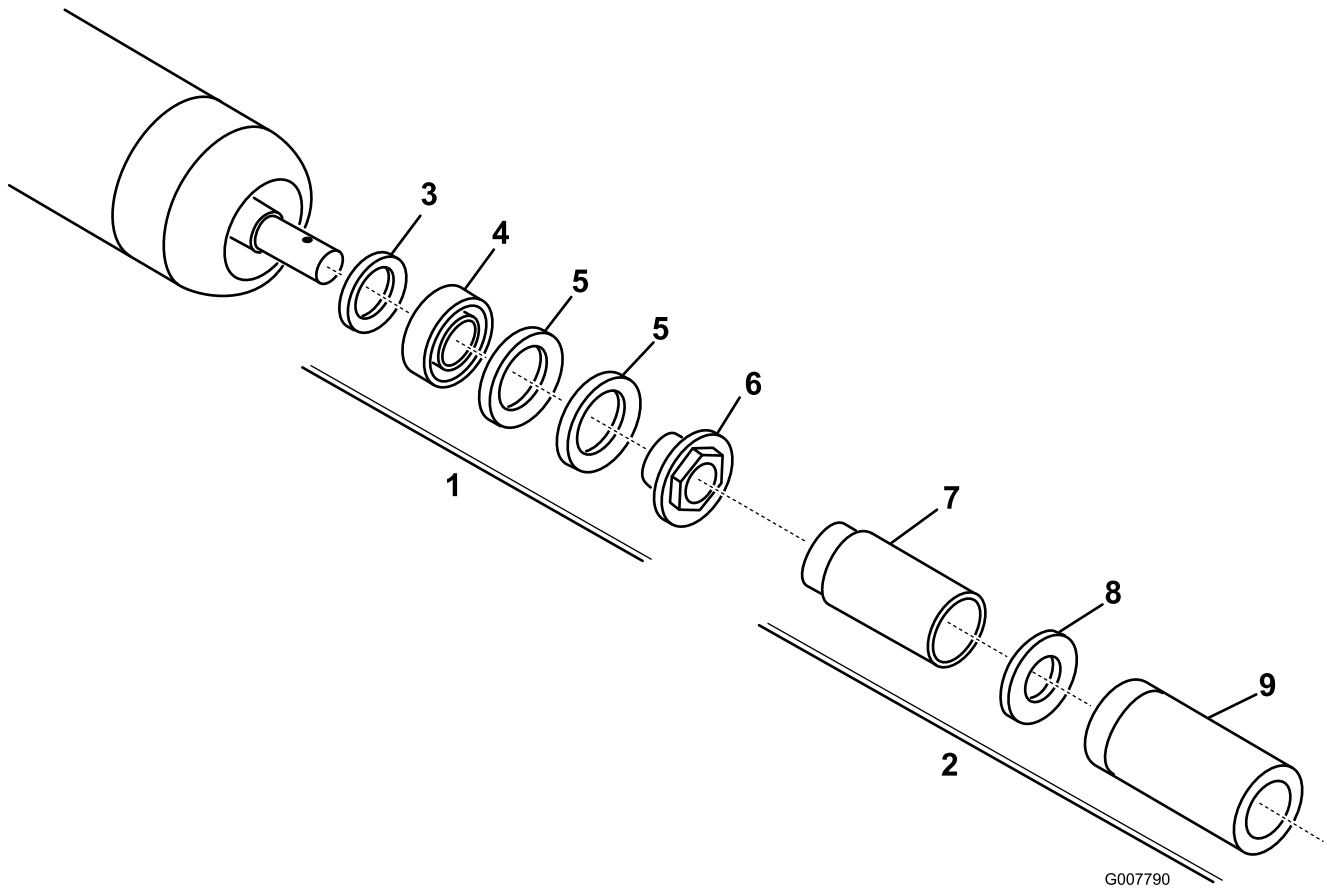
but do not overtighten or deflect side plates. Washers on inside may have a gap (Figure 30).

10. Tighten the nut on each bedbar adjuster assembly until the compression spring is fully compressed, then loosen nut 1/2 turn (Figure 30).
11. Repeat the procedure on the other end of the cutting unit.
12. Adjust the bedknife to the reel.

# Servicing the Roller

A Roller Rebuild Kit, Part No. 114-5430 and a Roller Rebuild Tool Kit, Part No. 115-0803 (Figure 31) are available for servicing the roller. The Roller Rebuild Kit includes all the bearings, bearing nuts, inner seals and

outer seals to rebuild a roller. The Roller Rebuild Tool Kit includes all the tools and the installation instructions required to rebuild a roller with the roller rebuild kit. Refer to your parts catalog or contact your distributor for assistance.



**Figure 31**

- |   |                            |
|---|----------------------------|
| 1. Rebuild kit (Part No. 114-5430)      | 6. Bearing nut             |
| 2. Rebuild tool kit (Part No. 115-0803) | 7. Inner seal tool         |
| 3. Inner seal                           | 8. Washer                  |
| 4. Bearing                              | 9. Bearing/outer seal tool |
| 5. Outer seal                           |                            |

**Notes:**



# The Toro Total Coverage Guarantee

## A Limited Warranty

### Conditions and Products Covered

The Toro Company and its affiliate, Toro Warranty Company, pursuant to an agreement between them, jointly warrant your Toro Commercial product ("Product") to be free from defects in materials or workmanship for two years or 1500 operational hours\*, whichever occurs first. This warranty is applicable to all products with the exception of Aerators (refer to separate warranty statements for these products). Where a warrantable condition exists, we will repair the Product at no cost to you including diagnostics, labor, parts, and transportation. This warranty begins on the date the Product is delivered to the original retail purchaser.

\* Product equipped with an hour meter.

### Instructions for Obtaining Warranty Service

You are responsible for notifying the Commercial Products Distributor or Authorized Commercial Products Dealer from whom you purchased the Product as soon as you believe a warrantable condition exists. If you need help locating a Commercial Products Distributor or Authorized Dealer, or if you have questions regarding your warranty rights or responsibilities, you may contact us at:

Toro Commercial Products Service Department  
Toro Warranty Company  
8111 Lyndale Avenue South  
Bloomington, MN 55420-1196  
952-888-8801 or 800-952-2740  
E-mail: commercial.warranty@toro.com

### Owner Responsibilities

As the Product owner, you are responsible for required maintenance and adjustments stated in your *Operator's Manual*. Failure to perform required maintenance and adjustments can be grounds for disallowing a warranty claim.

### Items and Conditions Not Covered

Not all product failures or malfunctions that occur during the warranty period are defects in materials or workmanship. This warranty does not cover the following:

- Product failures which result from the use of non-Toro replacement parts, or from installation and use of add-on, or modified non-Toro branded accessories and products. A separate warranty may be provided by the manufacturer of these items.
- Product failures which result from failure to perform recommended maintenance and/or adjustments. Failure to properly maintain your Toro product per the Recommended Maintenance listed in the *Operator's Manual* can result in claims for warranty being denied.
- Product failures which result from operating the Product in an abusive, negligent, or reckless manner.
- Parts subject to consumption through use unless found to be defective. Examples of parts which are consumed, or used up, during normal Product operation include, but are not limited to, brake pads and linings, clutch linings, blades, reels, rollers and bearings (sealed or greasable), bed knives, spark plugs, castor wheels and bearings, tires, filters, belts, and certain sprayer components such as diaphragms, nozzles, and check valves, etc.
- Failures caused by outside influence. Conditions considered to be outside influence include, but are not limited to, weather, storage practices, contamination, use of unapproved fuels, coolants, lubricants, additives, fertilizers, water, or chemicals, etc.
- Failure or performance issues due to the use of fuels (e.g. gasoline, diesel, or biodiesel) that do not conform to their respective industry standards.

### Countries Other than the United States or Canada

Customers who have purchased Toro products exported from the United States or Canada should contact their Toro Distributor (Dealer) to obtain guarantee policies for your country, province, or state. If for any reason you are dissatisfied with your Distributor's service or have difficulty obtaining guarantee information, contact the Toro importer.

- Normal noise, vibration, wear and tear, and deterioration.
- Normal "wear and tear" includes, but is not limited to, damage to seats due to wear or abrasion, worn painted surfaces, scratched decals or windows, etc.

### Parts

Parts scheduled for replacement as required maintenance are warranted for the period of time up to the scheduled replacement time for that part. Parts replaced under this warranty are covered for the duration of the original product warranty and become the property of Toro. Toro will make the final decision whether to repair any existing part or assembly or replace it. Toro may use remanufactured parts for warranty repairs.

### Deep Cycle and Lithium-Ion Battery Warranty:

Deep cycle and Lithium-Ion batteries have a specified total number of kilowatt-hours they can deliver during their lifetime. Operating, recharging, and maintenance techniques can extend or reduce total battery life. As the batteries in this product are consumed, the amount of useful work between charging intervals will slowly decrease until the battery is completely worn out. Replacement of worn out batteries, due to normal consumption, is the responsibility of the product owner. Battery replacement may be required during the normal product warranty period at owner's expense. Note: (Lithium-Ion battery only): A Lithium-Ion battery has a part only prorated warranty beginning year 3 through year 5 based on the time in service and kilowatt hours used. Refer to the *Operator's Manual* for additional information.

### Maintenance is at Owner's Expense

Engine tune-up, lubrication, cleaning and polishing, replacement of filters, coolant, and completing recommended maintenance are some of the normal services Toro products require that are at the owner's expense.

### General Conditions

Repair by an Authorized Toro Distributor or Dealer is your sole remedy under this warranty.

**Neither The Toro Company nor Toro Warranty Company is liable for indirect, incidental or consequential damages in connection with the use of the Toro Products covered by this warranty, including any cost or expense of providing substitute equipment or service during reasonable periods of malfunction or non-use pending completion of repairs under this warranty. Except for the Emissions warranty referenced below, if applicable, there is no other express warranty. All implied warranties of merchantability and fitness for use are limited to the duration of this express warranty.**

Some states do not allow exclusions of incidental or consequential damages, or limitations on how long an implied warranty lasts, so the above exclusions and limitations may not apply to you. This warranty gives you specific legal rights, and you may also have other rights which vary from state to state.

### Note regarding engine warranty:

The Emissions Control System on your Product may be covered by a separate warranty meeting requirements established by the U.S. Environmental Protection Agency (EPA) and/or the California Air Resources Board (CARB). The hour limitations set forth above do not apply to the Emissions Control System Warranty. Refer to the Engine Emission Control Warranty Statement supplied with your product or contained in the engine manufacturer's documentation for details