



Count on it.

Parts Catalog

Power Max 826 OXE Snowthrower

Model No. 38633—Serial No. 312000001 and Up

Ordering Replacement Parts

To order replacement parts, please supply the part number, the quantity, and the description of each part desired.

Understanding Reference Numbers

Each identified part in an illustration has a reference number. The reference number for a part also appears in the parts list, along with other information about the part.

This catalog uses two special reference number formats, one to indicate parts in a service assembly and another to indicate the quantity of a given part in an illustration.

Service Assembly Reference Numbers

Parts in service assemblies have reference numbers in the form a:b. The a represents the reference number of the entire service assembly and the b represents a sequential number unique to each part within the service assembly.

For example, a wheel assembly might be identified by reference number 6, the tire by 6:1, the valve by 6:2, and the wheel by 6:3. When you order the assembly identified by reference number 6, you receive all parts identified by reference numbers 6:1, 6:2, and 6:3. However, you may also order any part individually. Reference numbers of this type appear in illustration and in parts lists.

Reference Numbers Indicating Quantity

In an illustration, if a reference number indicates more than one part, the reference number has the form nX y. The n represents the quantity of the part, the X is the multiplication symbol, and the y represents the reference number.

For example, in an illustration, the reference number 2X 37 means that two of the parts identified by reference number 37 are indicated.

List of Abbreviations

AR: as required

ASM: assembly

BBC: blade brake control

BHTF: button head thread forming

CARR: carriage

CCW: counter clockwise

CW: clockwise

DEG: degrees

DPA: Dual Point Adjustment

ECM: electronic control module

EXT: external

FH: flat head

GA: gauge

HD: heavy-duty

HF: hex flange

HH: hex head

HHF: hex head flange

HHFTF: hex head flange thread forming

HJ: hex jam

HLH: hex lag head

HOC: height-of-cut

HSBH: hex socket button head

HSFH: hex socket flat head

HSH: hex socket head

HWH: hex washer head

HWHTF: hex washer head thread forming

HYD: hydraulic

LH: left hand

LP: Liquid Propane

NI: nylon insert

NPTF: national pipe thread fine

PFH: phillips flat head

PPH: phillips pan head

PPHTF: phillips pan head thread forming

PRH: phillips round head

PTH: phillips truss head

PTO: power-take-off

RH: right hand

ROPS: roll-over protection system

RRB: rear roller brush

SFH: slotted fillister head

SHH: slotted hex head

SHWH: slotted hex washer head

SPH: slotted pan head

SQH: square head

SRH: slotted round head

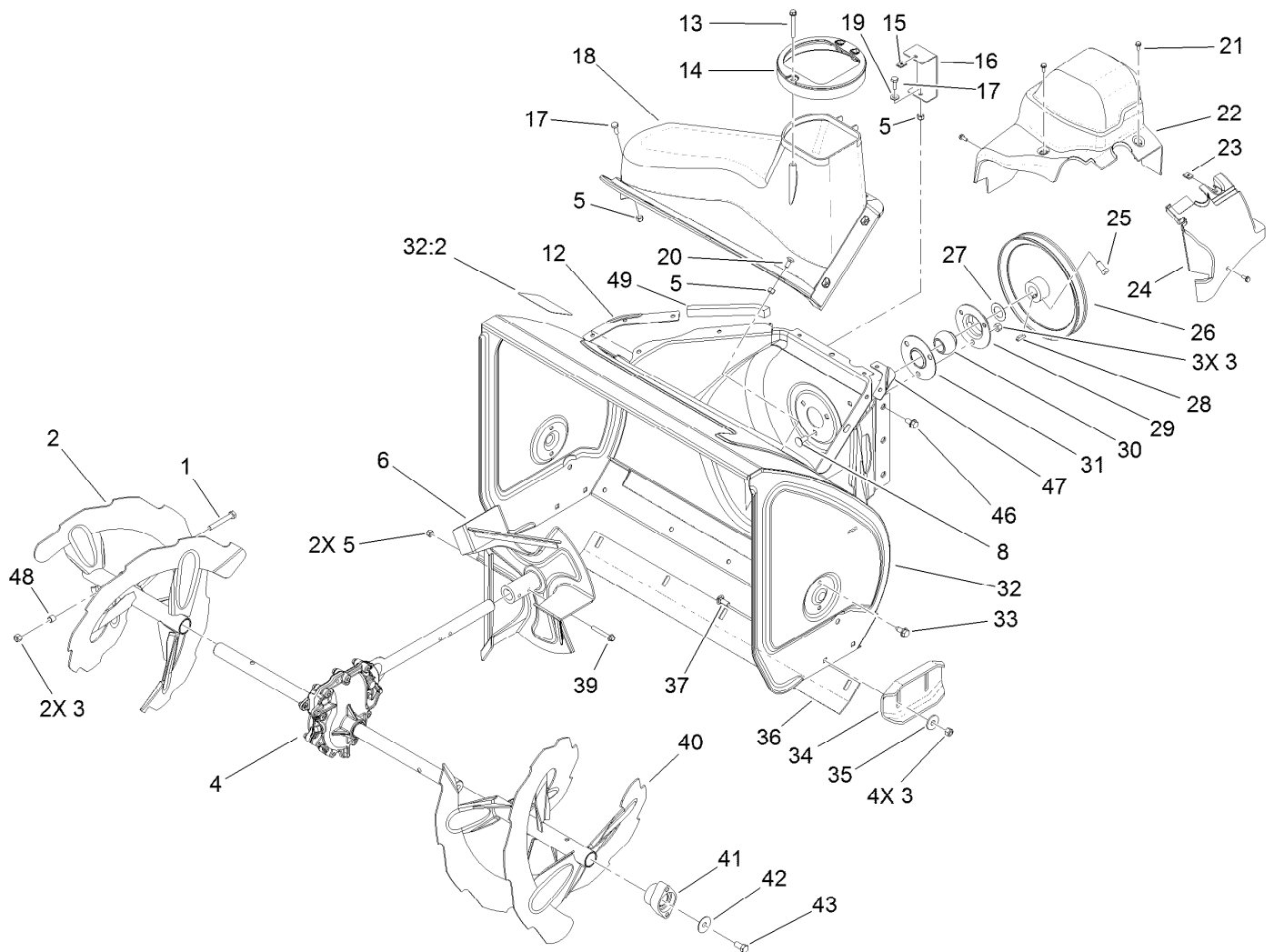
STD: standard

TAP: self tapping

TTH: torx truss head

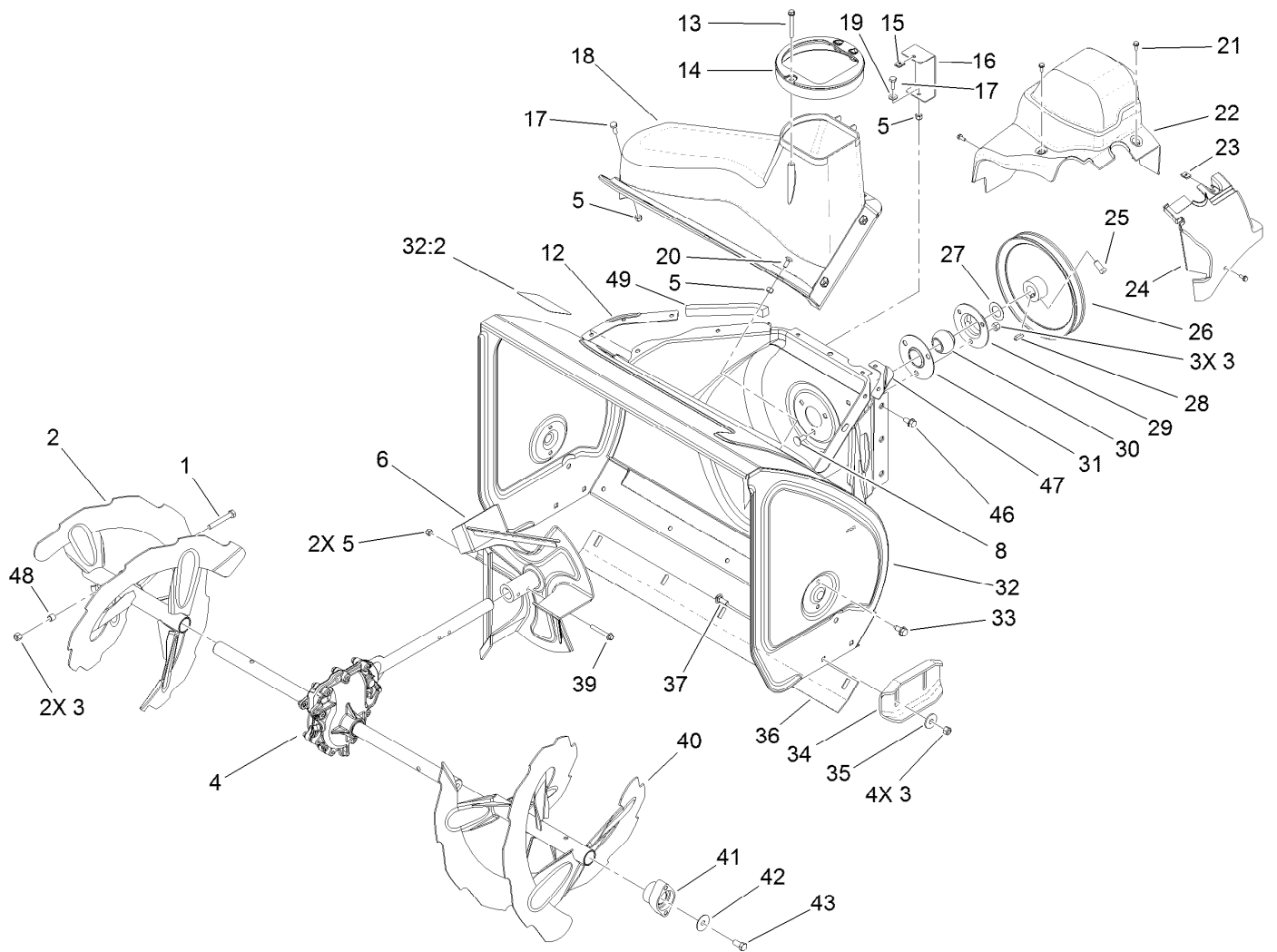
Contents

Auger and Housing Assembly	4
26 Inch Auger Gearcase Assembly No. 108-7328	6
Chute Assembly	7
Frame Assembly.....	8
Handle Assembly	10
Lower Handle and Headlamp Assembly.....	11
Chute Control Lever Assembly.....	12
Engine Assembly	13
Wheel Clutch Assembly	14
Wheel Clutch Sprocket Assembly	16
Attachments and Accessories	17



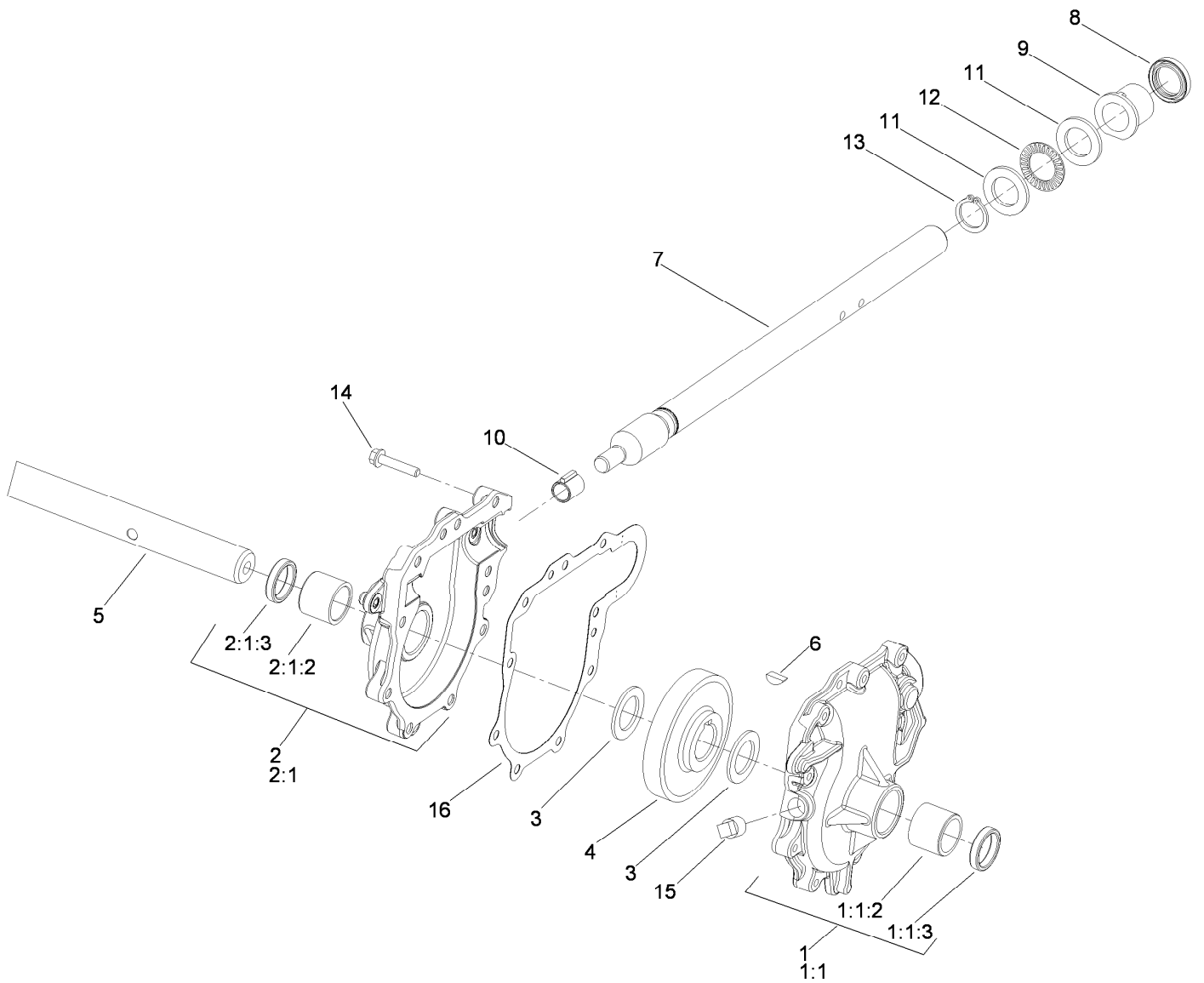
Auger and Housing Assembly

Ref.	Part Number	Qty.	Description	Ref.	Part Number	Qty.	Description
1	322-11	2	Screw-HH	25	3242-4	2	Screw-Set, SQH
2	106-7289-03	1	RH Auger ASM	26	62-1300	1	Pulley-Impeller
3	3296-29	14	Nut-Lock, NI	27	252-80	1	Washer-Thrust
4	108-7328	1	26 Inch Auger Gearcase ASM	28	3257-23	1	Key-Woodruff
5	3296-42	13	Nut-Lock, NI	29	26-6110	1	Flange-Cup, Bearing
6	106-4576-03	1	Impeller ASM	30	63-3450	1	Bearing-Ball
8	3230-23	8	Screw-CARR	31	26-6120	1	Flange-Cup, Bearing
12	107-1017-03	1	Seal-Flange, Cover	32	107-3822	1	Housing-Auger, 26 Inch
13	107-3003	1	Screw-Plastite	32:2	107-3040	1	Decal-Danger, Auger
14	107-3006	1	Guide-Chute	33	32144-70	4	Screw-HWHTF
15	107-1013	1	Nut-Speed, U-Type	34	106-4588-01	2	Skid
16	107-1014-03	1	Bracket-Cover, Clip Nut	35	52-2861	4	Washer
17	321-4	7	Screw-HH	36	105-9976-01	1	Scraper-Fixed
18	108-0017	1	Cover	37	3230-16	4	Screw-CARR
19	3256-22	1	Washer-Flat	39	321-11	2	Screw-HH
20	3229-1	4	Screw-CARR	40	106-7299-03	1	LH Auger ASM
21	32144-112	4	Screw-HWH	41	106-4570	2	Auger-Bearing
22	119-1563	1	Cover-Belt	42	3-0750	2	Washer
23	701493	1	Nut-Speed	43	323-4	2	Screw-HH
24	107-1016	1	Cover-Extension, Belt	46	32144-14	6	Screw-HWHTF
				47	108-0039-03	1	Seal



Auger and Housing Assembly (continued)

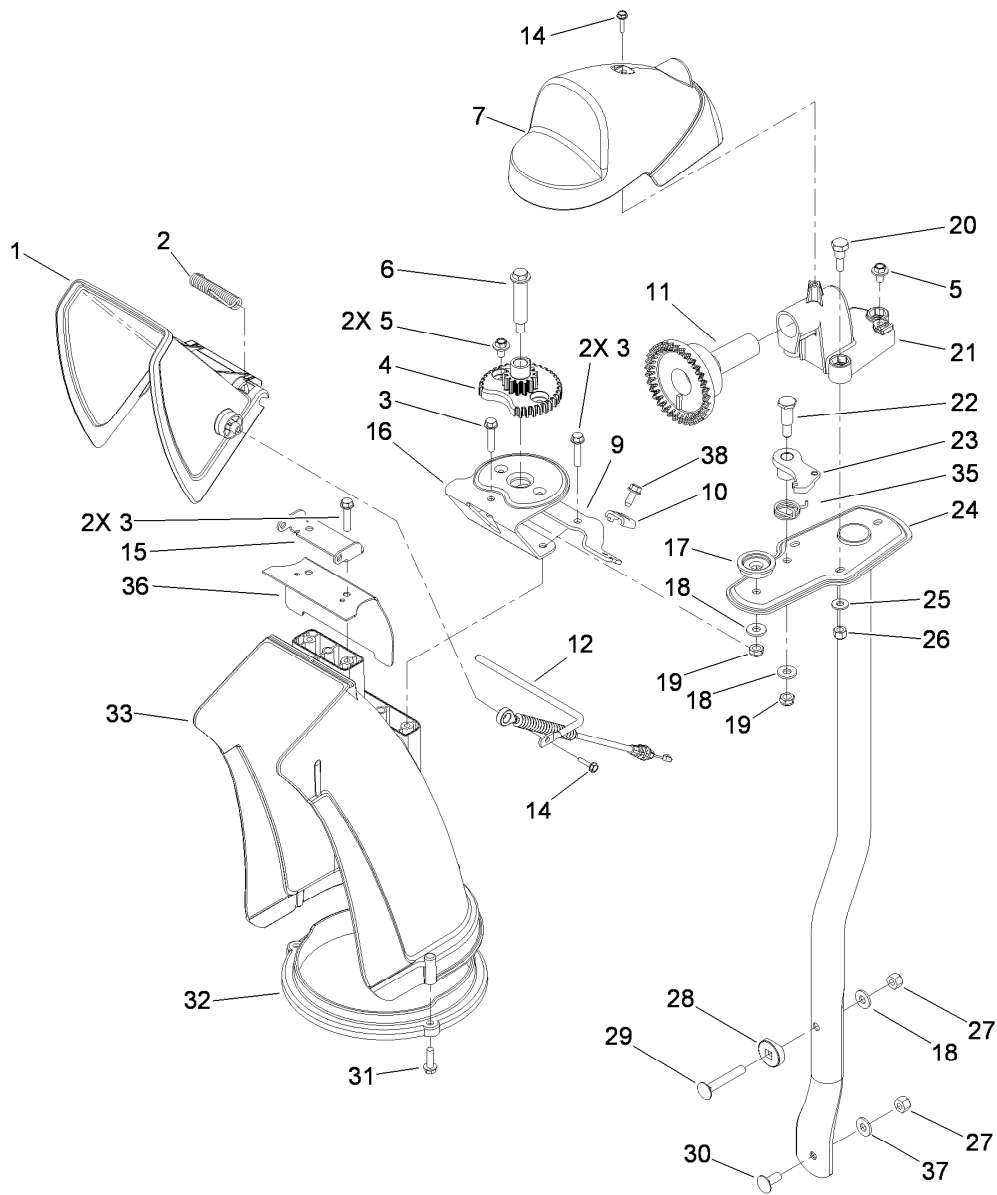
<i>Ref.</i>	<i>Part Number</i>	<i>Qty.</i>	<i>Description</i>
48	1-633545	2	Spacer
49	120-0124	1	Seal-Housing



26 Inch Auger Gearcase Assembly No. 108-7328

Ref.	Part Number	Qty.	Description	Ref.	Part Number	Qty.	Description
1	108-7325	1	LH Auger Gearcase ASM	6	3257-10	1	Key-Woodruff
1:1		1	Gearcase-Auger, LH ●	7	66-7811	1	Shaft-Impeller
1:1:2	112-6635	1	Bushing-Sleeve	8	253-149	1	Seal-Oil
1:1:3	7-0045	1	Seal-Oil	9	37-6560	1	Bushing-Input
2	108-7327	1	RH Auger Gearcase ASM	10	62-1150	1	Bushing-Worm
2:1		1	Gearcase-Auger, RH ●	11	252-78	2	Washer-Thrust
2:1:2	112-6635	1	Bushing-Sleeve	12	252-76	1	Bearing-Thrust
2:1:3	7-0045	1	Seal-Oil	13	32151-33	1	Ring-Retaining, EXT
3	252-71	2	Washer-Thrust	14	108-4862	9	Screw-HWHTF
4	62-0120	1	Gear-Helical	15	281-1	1	Plug-Pipe, SQH
5	106-4579	1	Shaft-Auger	16	108-7330	1	Gasket-Gearcase, Auger

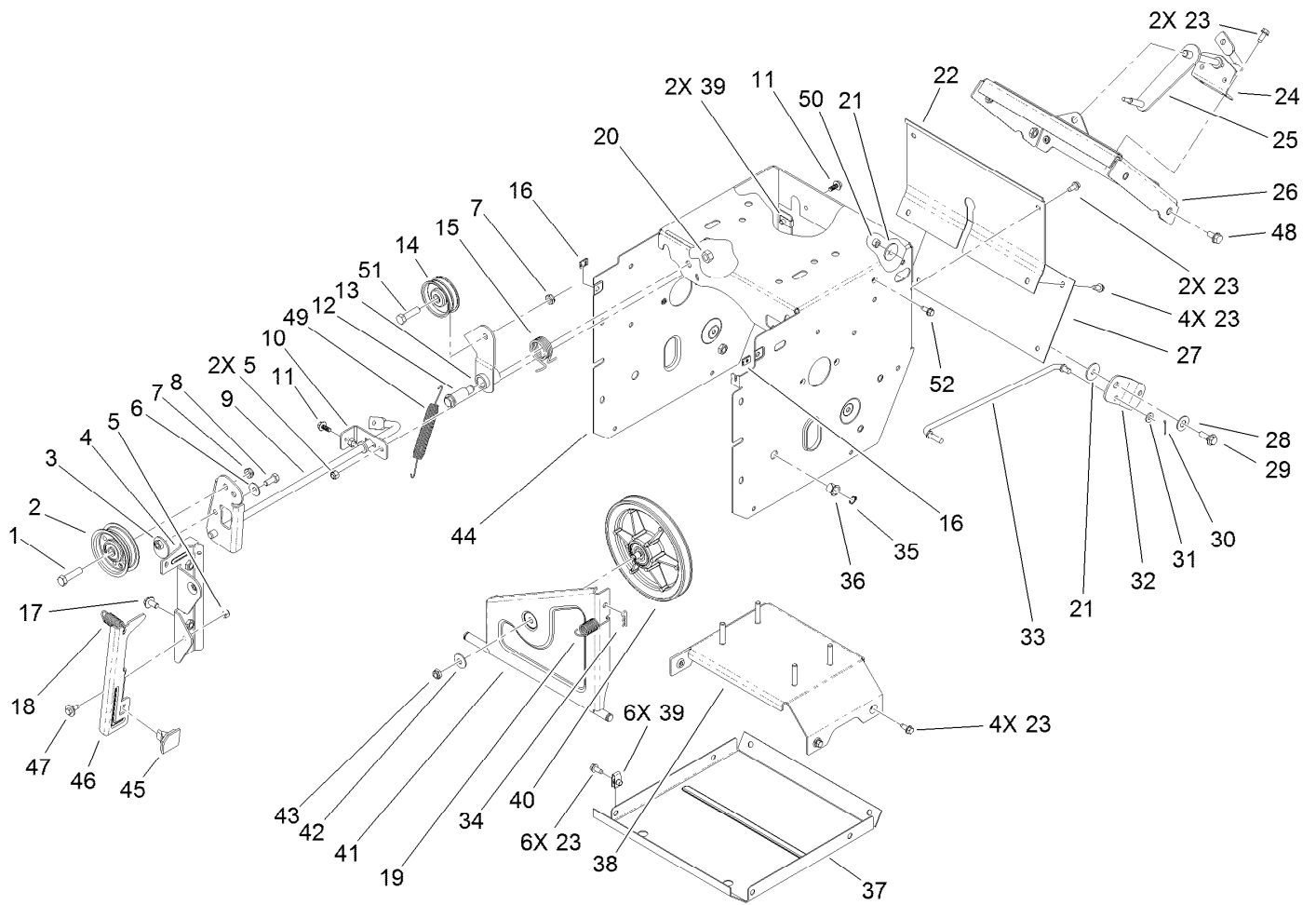
● Not serviced separately



Chute Assembly

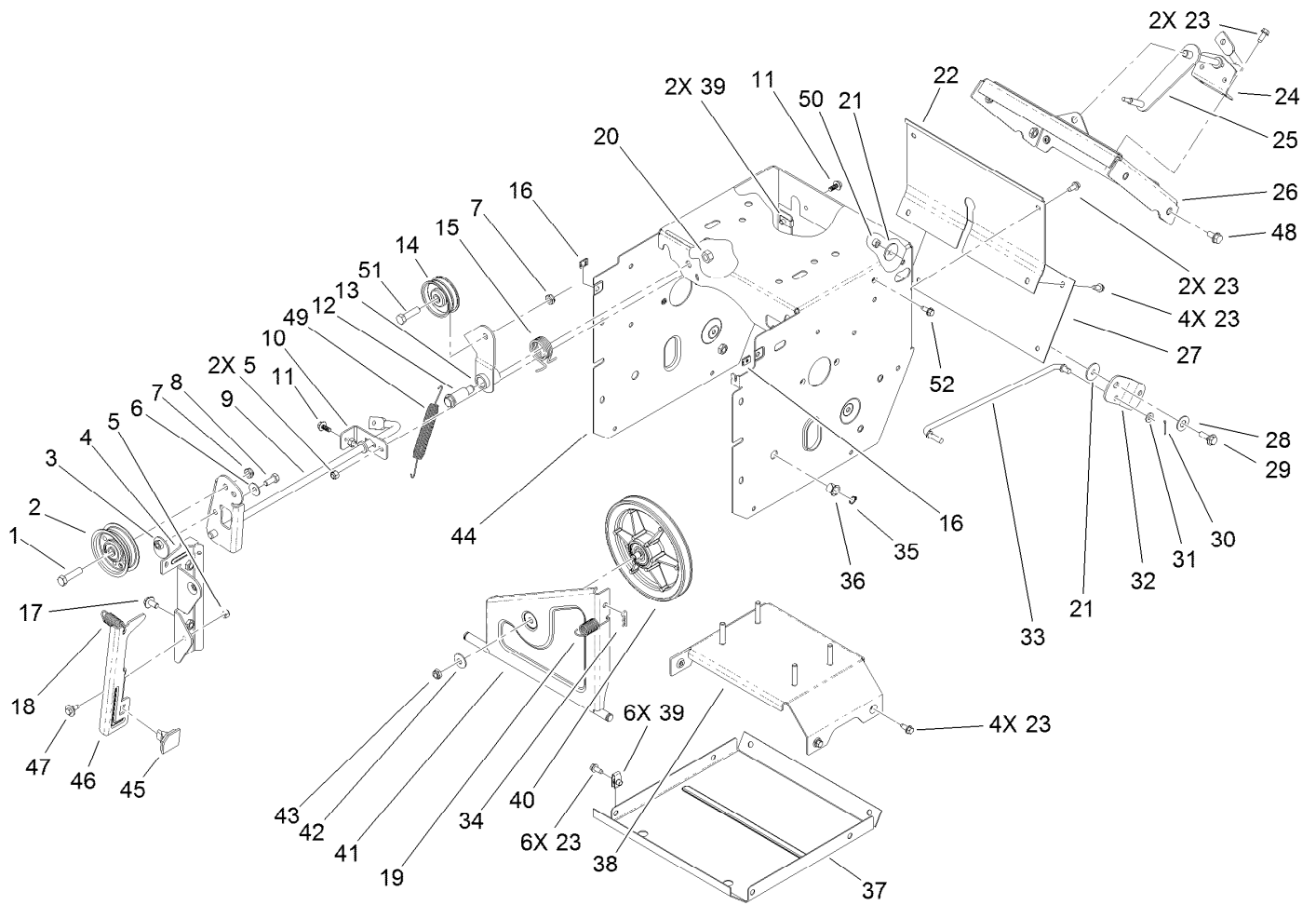
Ref.	Part Number	Qty.	Description
1	112-6629	1	Deflector-Chute, Ce
2	106-4594	1	Spring-Torsion
3	46-8092	5	Screw-Plastite
4	106-4472	1	Gear-Chute
5	46-6810	3	Screw And Washer ASM
6	100-9880	1	Bolt-Shoulder
7	106-4585	1	Cover-Gear, Chute
9	106-7296	1	Bracket-Cable, Clamp
10	106-7297	1	Clamp-Cable
11	106-4471	1	Gear-Face
12	107-1021	1	Rod-Deflector
14	98-1375	2	Screw-HWH
15	106-7266	1	Bracket-Deflector
16	106-4582-03	1	Bracket-Support, Chute
17	106-4422	1	Spacer-Chute
18	3256-2	3	Washer-Flat
19	3296-47	2	Nut-Lock, NI
20	106-7276	3	Screw-Shoulder

Ref.	Part Number	Qty.	Description
21	106-7257	1	Mount-Gear, Face
22	63-2650	1	Screw-Shoulder
23	106-4476	1	Latch-Chute
24	106-7253-03	1	Tube-Support
25	3256-22	3	Washer-Flat
26	3296-42	3	Nut-Lock, NI
27	3296-29	2	Nut-Lock, NI
28	106-7260	1	Washer-Curved
29	3230-5	1	Screw-CARR
30	3230-23	1	Screw-CARR
31	46-8091	3	Screw-HWH
32	105-9991	1	Ring-Chute
33	106-4440	1	Chute-Discharge
35	108-7315	1	Spring-Torsion
36	108-5052	1	Seal-Chute
37	3290-456	1	Washer-Belleville
38	32144-10	1	Screw-HWH



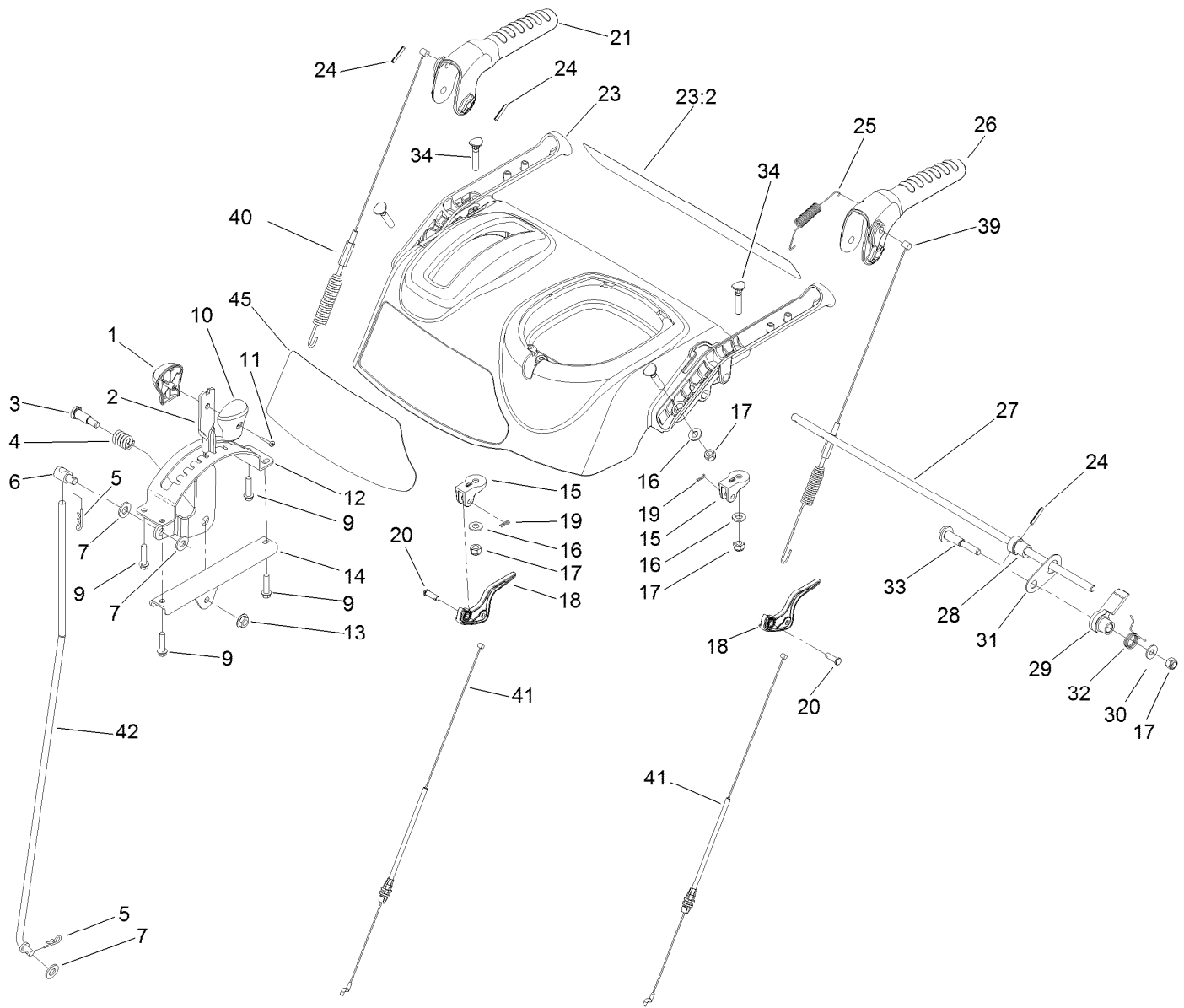
Frame Assembly

<i>Ref.</i>	<i>Part Number</i>	<i>Qty.</i>	<i>Description</i>	<i>Ref.</i>	<i>Part Number</i>	<i>Qty.</i>	<i>Description</i>
1	323-8	1	Screw-HH	22	108-0022-01	1	Cover-Upper
2	92-7104	1	Pulley-Idler	23	32144-10	16	Screw-HWH
3	107-1047	1	Nut	24	108-0036	1	Bracket-Rod, Shift
4	107-1039	1	Bracket-Idler, Impeller	25	106-7268	1	Lever-Control, Traction
5	3296-42	3	Nut-Lock, NI	26	108-0026-01	1	Shift Plate ASM
6	3290-456	1	Washer-Belleville	27	106-7345-01	1	Cover-Lower
7	3296-59	2	Nut-Lock, NI	28	25-5640	1	Washer
8	322-3	1	Screw-HH	29	27-0410	1	Screw-Shoulder
9	107-3838-03	1	Impeller Clutch ASM	30	3272-4	1	Pin-Cotter
10	106-7341	1	Bracket-Rear, Clutch	31	3256-23	1	Washer-Flat
11	99-6810	2	Screw-HH	32	107-1011	1	Bellcrank-Drive
12	108-5056	1	Bolt-Shoulder	33	106-4467	1	Link-Control, Speed
13	108-5058	1	Arm-Idler, Traction	34	3290-307	1	Pin-Hair
14	3-4244	1	Pulley-Idler	35	32151-61	2	Ring-Retaining
15	108-7332	1	Spring-Torsion	36	256-257	2	Bushing-Nyliner
16	107-1013	2	Nut-Speed, U-Type	37	106-7330-01	1	Pan-Bottom
17	3234-7	2	Screw-HHF	38	112-8128	1	Frame Brace ASM
18	107-1045	1	Spring-Extension	39	107069	8	Clip
19	107-1003	1	Spring-Extension	40	108-0031	1	Traction Pulley ASM
20	3296-76	1	Nut-Lock, NI	41	108-7307	1	Friction Wheel Bracket ASM
21	5-4460	2	Washer-Pivot	42	3290-340	1	Washer-Belleville



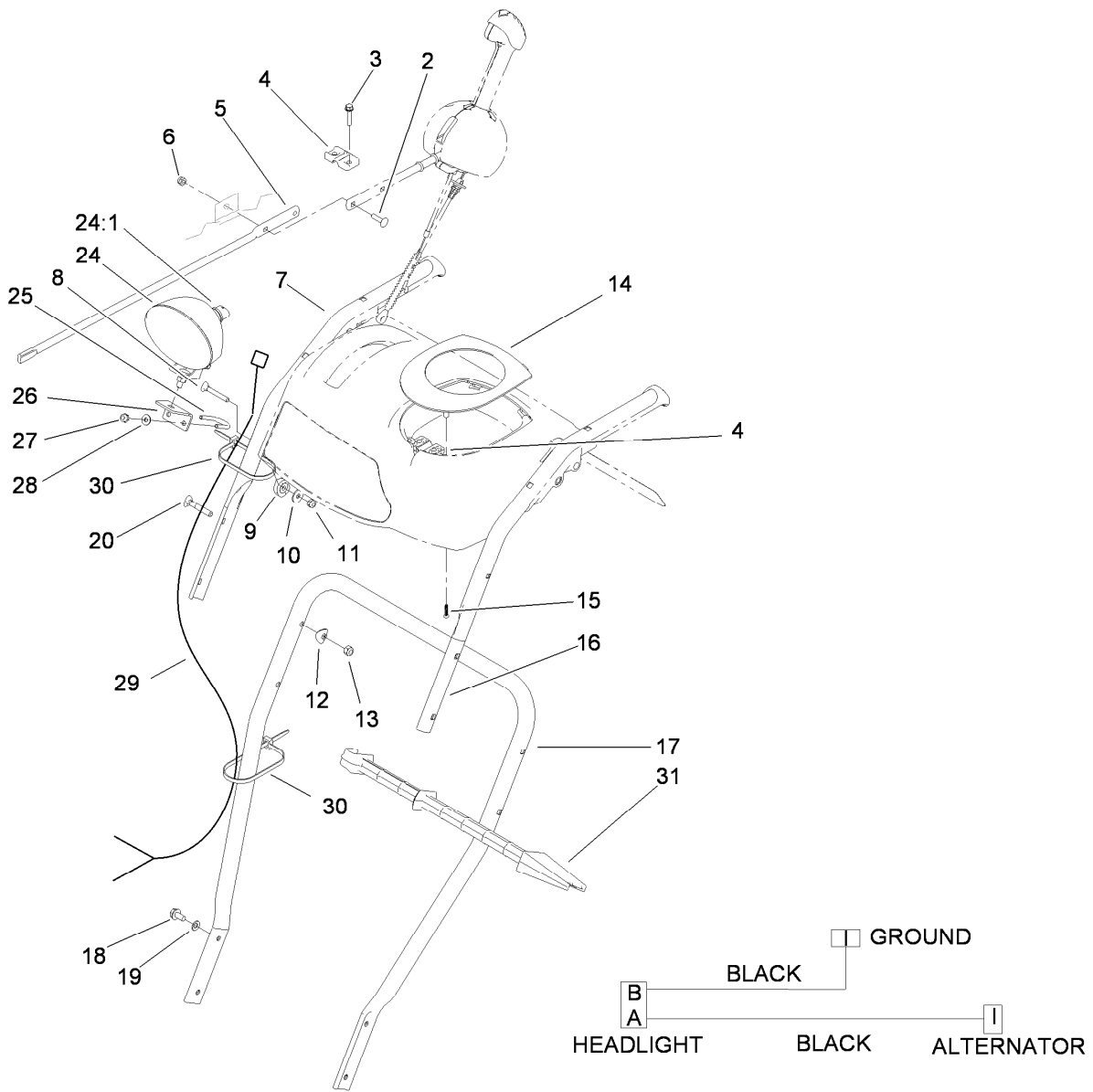
Frame Assembly (continued)

<i>Ref.</i>	<i>Part Number</i>	<i>Qty.</i>	<i>Description</i>	<i>Ref.</i>	<i>Part Number</i>	<i>Qty.</i>	<i>Description</i>
43	3296-5	1	Nut-Lock	48	32144-14	4	Screw-HWHTF
44	120-9832-01	1	Traction Frame ASM	49	108-2976	1	Spring-Extension
45	66-8060	1	Pad-Brake	50	3296-29	1	Nut-Lock, NI
46	107-1000	1	Arm-Brake	51	323-29	1	Screw-HH
47	92-9698	1	Screw-Shoulder	52	32144-4	1	Screw-HWH



Handle Assembly

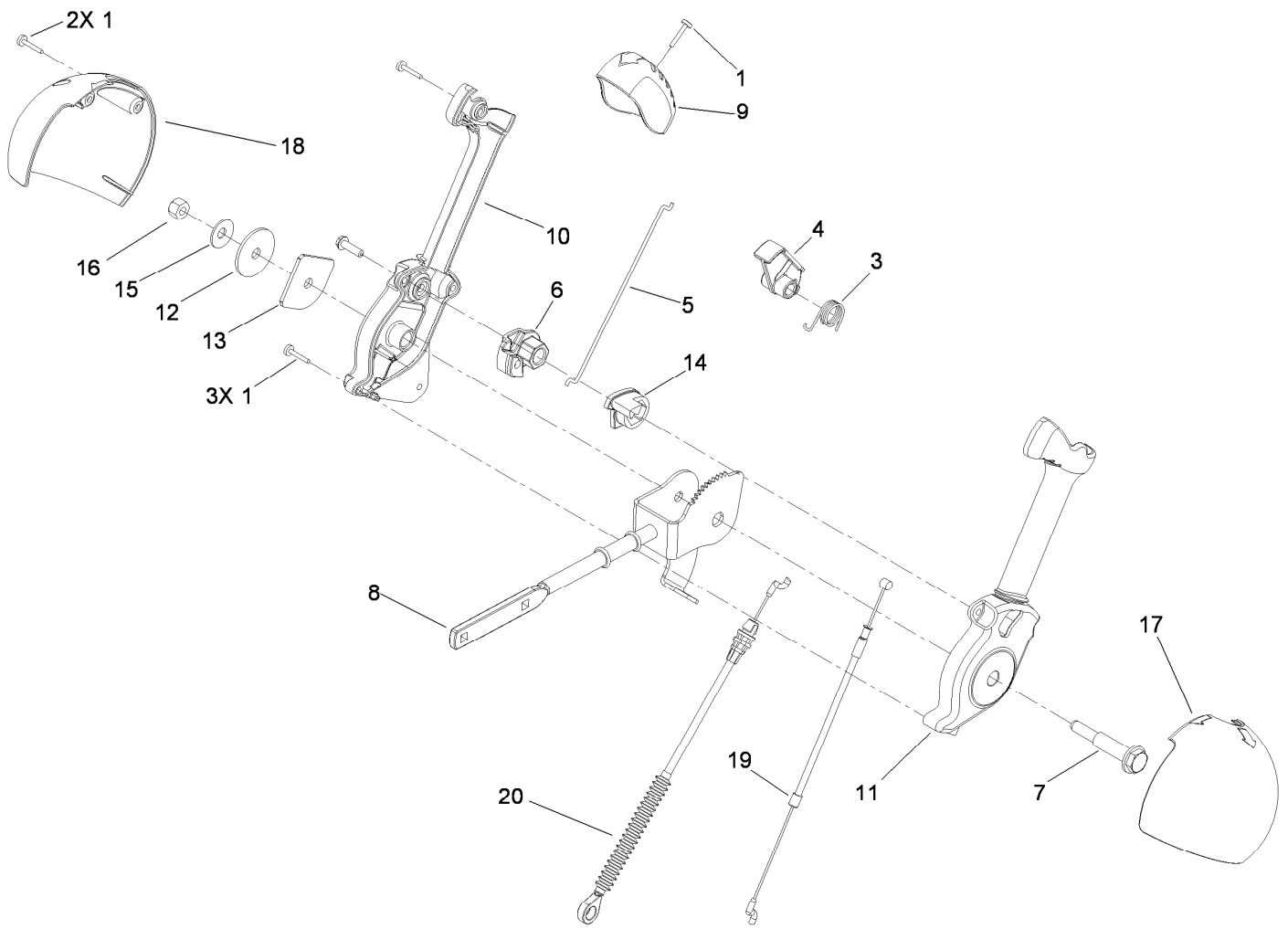
Ref.	Part Number	Qty.	Description	Ref.	Part Number	Qty.	Description
1	106-4423	1	Knob-Shift, RH	21	106-4413	1	Lever-Auger
2	106-7278-03	1	Selector-Speed	23	112-6633	1	Panel-Control
3	63-2650	1	Screw-Shoulder	23:2	112-6627	1	Decal-Back, Control Panel
4	108-7313	1	Spring-Compression	24	32121-125	3	Pin-Spring
5	3290-307	2	Pin-Hair	25	107-3001	1	Spring-Tension
6	110-3446	1	Trunion-Rod	26	106-4410	1	Lever-Traction
7	3256-24	3	Washer-Flat	27	105-9996	1	Rod-Lockout
9	46-8092	4	Screw-Plastite	28	107-1043	1	Cam-Lockout
10	105-9999	1	Knob-Shift, LH	29	108-0023	1	Latch-Lockout
11	94-4496	1	Screw-PPH	30	98-3499	1	Washer-Flat
12	106-7277-03	1	Guide-Selector, Speed	31	107-3000	1	Link-Lockout
13	32128-13	1	Nut-HHF	32	108-0024	1	Spring-Torsion
14	106-7279-03	1	Mount-Selector, Speed	33	106-4412	1	Screw-Shoulder
15	105-9980	2	Mount-Clutch, Lever	34	107-3018	4	Screw-Handle
16	3256-70	4	Washer-Flat	39	120-0132	1	Cable-Traction
17	3296-72	5	Nut-Lock, NI	40	115-5680	1	Cable-Auger
18	106-4505	2	Lever-Clutch	41	107-8896	2	Cable-Clutch
19	108-2992	2	Pin-Hair	42	107-1005	1	Rod-Shift
20	1-808265	2	Pin-Clevis	45	120-9814	1	Decal-Control Panel



Lower Handle and Headlamp Assembly

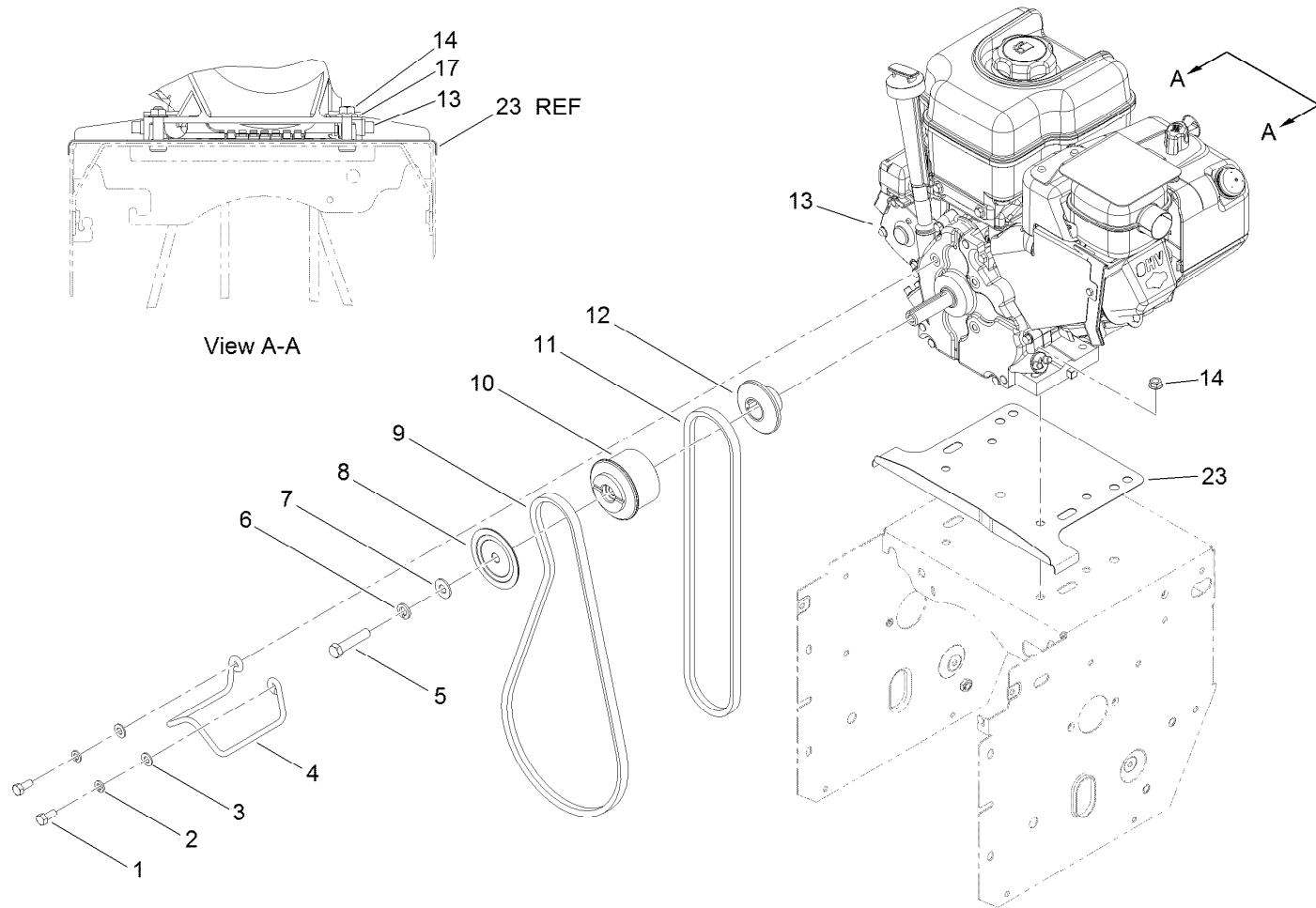
Ref.	Part Number	Qty.	Description
2	3229-30	2	Screw-CARR
3	46-8092	2	Screw-Plastite
4	105-9987	2	Support-Rod
5	106-7283	1	Rod-Chute, Front
6	3296-73	2	Nut-Lock, NI
7	108-0038-03	1	Handle-Upper, RH
8	95-4453	2	Screw
9	106-4509	2	Clamp-Cable
10	87-6630	2	Washer-Plain
11	3296-73	2	Nut-Lock, NI
12	107-3844	4	Washer
13	3296-72	4	Nut-Lock, NI
14	106-4586	1	Cover-Panel, Control
15	94-4496	2	Screw-PPH

Ref.	Part Number	Qty.	Description
16	108-0037-03	1	Handle-Upper, LH
17	105-9981-03	1	Handle-Lower
18	32144-14	4	Screw-HWHTF
19	3290-475	4	Washer-Belleville
20	92-2260	4	Screw-Handle
24	106-4510	1	Headlamp ASM
24:1	108-0008	1	Lamp-12 Volt
25	107-3024	1	Clamp
26	107-1020-03	1	Bracket-Light
27	3296-73	2	Nut-Lock, NI
28	3256-1	2	Washer-Flat
29	106-4511	1	Harness-Wire
30	614249	2	Tie-Cable
31	110-3408	1	Stick-Cleanout



Chute Control Lever Assembly

<i>Ref.</i>	<i>Part Number</i>	<i>Qty.</i>	<i>Description</i>	<i>Ref.</i>	<i>Part Number</i>	<i>Qty.</i>	<i>Description</i>
1	94-4496	6	Screw-PPH	12	107-3002	1	Washer-Nylon
3	105-9982	1	Spring-Torsion	13	106-7295	1	Plate-Friction
4	105-9984	1	Trigger-Latch	14	106-7310	1	Pawl-Latch
5	105-9985	1	Link-Latch	15	3290-456	1	Washer-Belleville
6	105-9988	1	Lever-Cable, Deflector	16	3296-29	1	Nut-Lock, NI
7	105-9995	1	Screw-Shoulder	17	105-9986	1	Cover-Chute Lever, LH
8	106-4479	1	Rod-Control, Chute	18	106-7292	1	Cover-Chute Lever, RH
9	106-7280	1	Cap-Lever	19	105-9989	1	Cable-Release, Chute
10	106-7281	1	Lever-Chute Control, RH	20	105-9990	1	Cable-Control, Deflector
11	106-7282	1	Lever-Chute Control, LH				



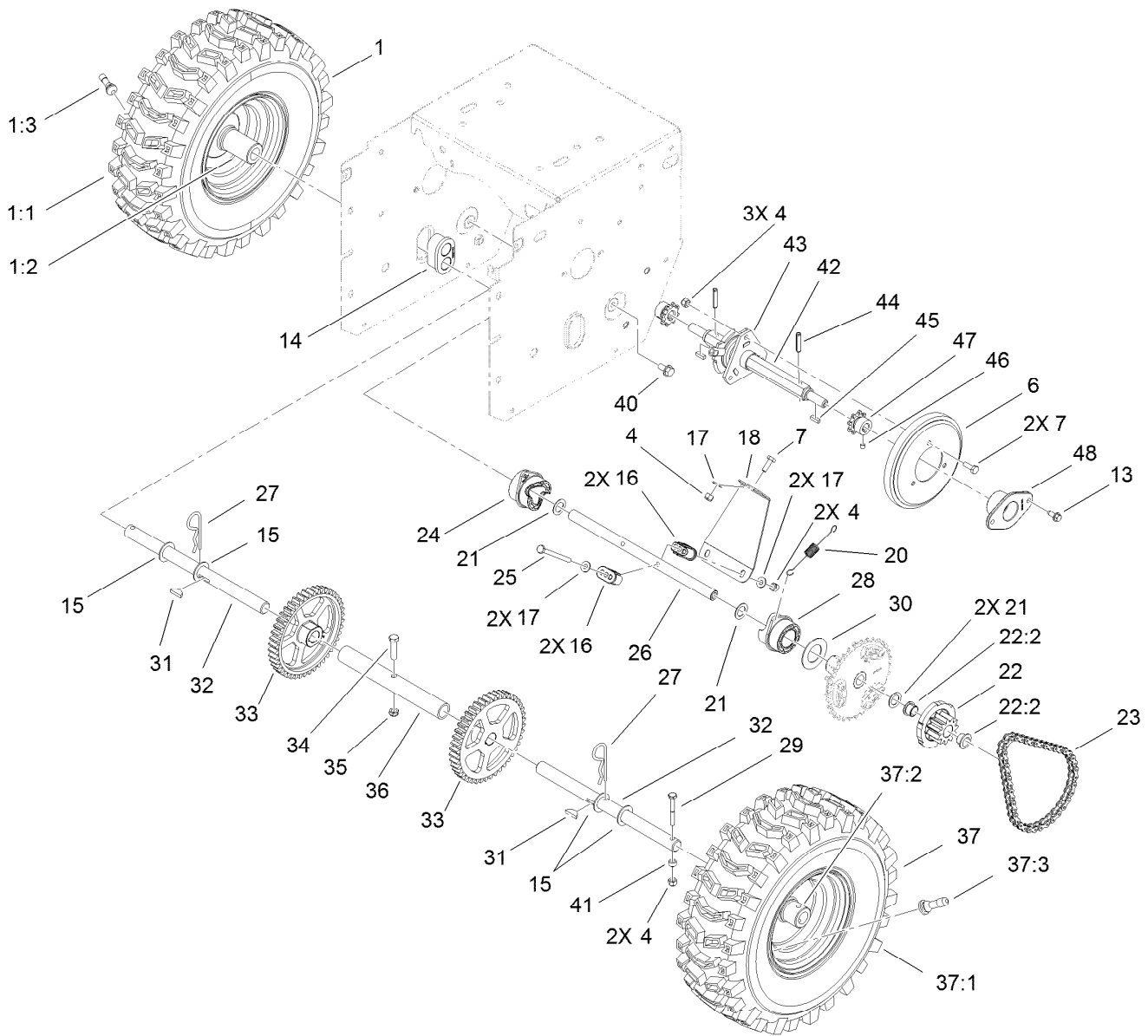
Engine Assembly

Ref.	Part Number	Qty.	Description
1	3210-3	2	Screw-HH
2	3253-4	2	Washer-Lock
3	3256-23	2	Washer-Flat
4	107-3835	1	Guide-Belt
5	3211-9	1	Screw-HH
6	3253-21	1	Washer-Lock
7	3256-24	1	Washer-Flat
8	112-8139	1	Sheave-Half, Impeller
9	106-4498	1	Belt-V

Ref.	Part Number	Qty.	Description
10	112-8117	1	Pulley-Engine, Center
11	94-8812	1	V Belt-Traction
12	112-8138	1	Sheave-Half, Traction
13		1	Engine-Briggs, 15C1170157H8 ●■
14	32128-20	4	Nut-HF
17	3256-2	1	Washer-Flat
23	117-6022-01	1	Shield-Drive

● Not serviced separately

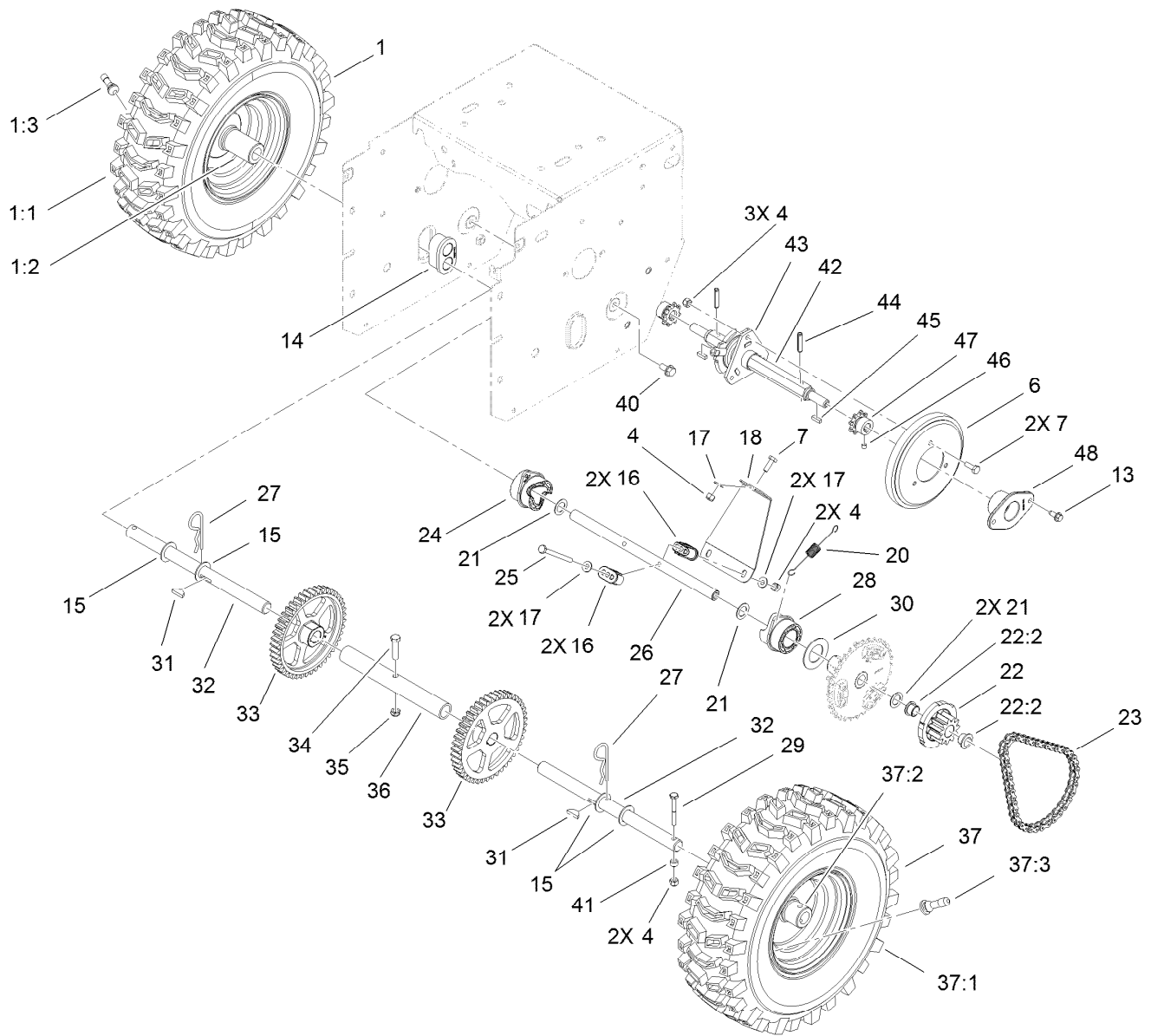
■ Obtain parts from www.briggsandstratton.com



Wheel Clutch Assembly

Ref.	Part Number	Qty.	Description	Ref.	Part Number	Qty.	Description
1		1	RH Wheel And Tire ASM ●	23	2710-6	2	Link-Connecting
1:1	107-3042	1	Tire	24	107-8888	1	Collar-Shift, RH
1:2	107-3043	1	Rim-Tire	25	321-23	2	Screw-HH
1:3	232-27	1	Stem-Valve	26	107-8883	1	Shaft-Intermediate
4	3296-42	8	Nut-Lock, NI	27	3290-343	2	Pin-Hair
6	119-1567	1	Wheel-Friction	28	107-8887	1	Collar-Shift, LH
7	321-4	4	Screw-HH	29	108-2975	2	Screw-HH
13	32144-10	4	Screw-HWH	30	107-8891	2	Washer-Thrust
14	106-4558	2	Bearing-Axle	31	3257-7	2	Key-Woodruff
15	3-8664	4	Washer-Thrust	32	107-8898	2	Shaft-Axle
16	107-8889	4	Guide-Collar	33	106-4572	2	Gear-Axle, 44 Tooth
17	3256-22	5	Washer-Flat	34	322-17	1	Screw-HH
18	107-8892-03	1	Brace-Collar, Shift	35	3296-47	1	Nut-Lock, NI
20	107-8893	2	Spring-Extension	36	106-7259	1	Tube-Axle
21	108-0015	4	Washer-Flat	37		1	LH Wheel And Tire ASM ●
22	107-8894	2	11T Gear ASM	37:1	107-3042	1	Tire
22:2	108-2973	2	Bushing-Flange	37:2	107-3043	1	Rim-Tire
23	108-0016	2	Chain-Roller	37:3	232-27	1	Stem-Valve

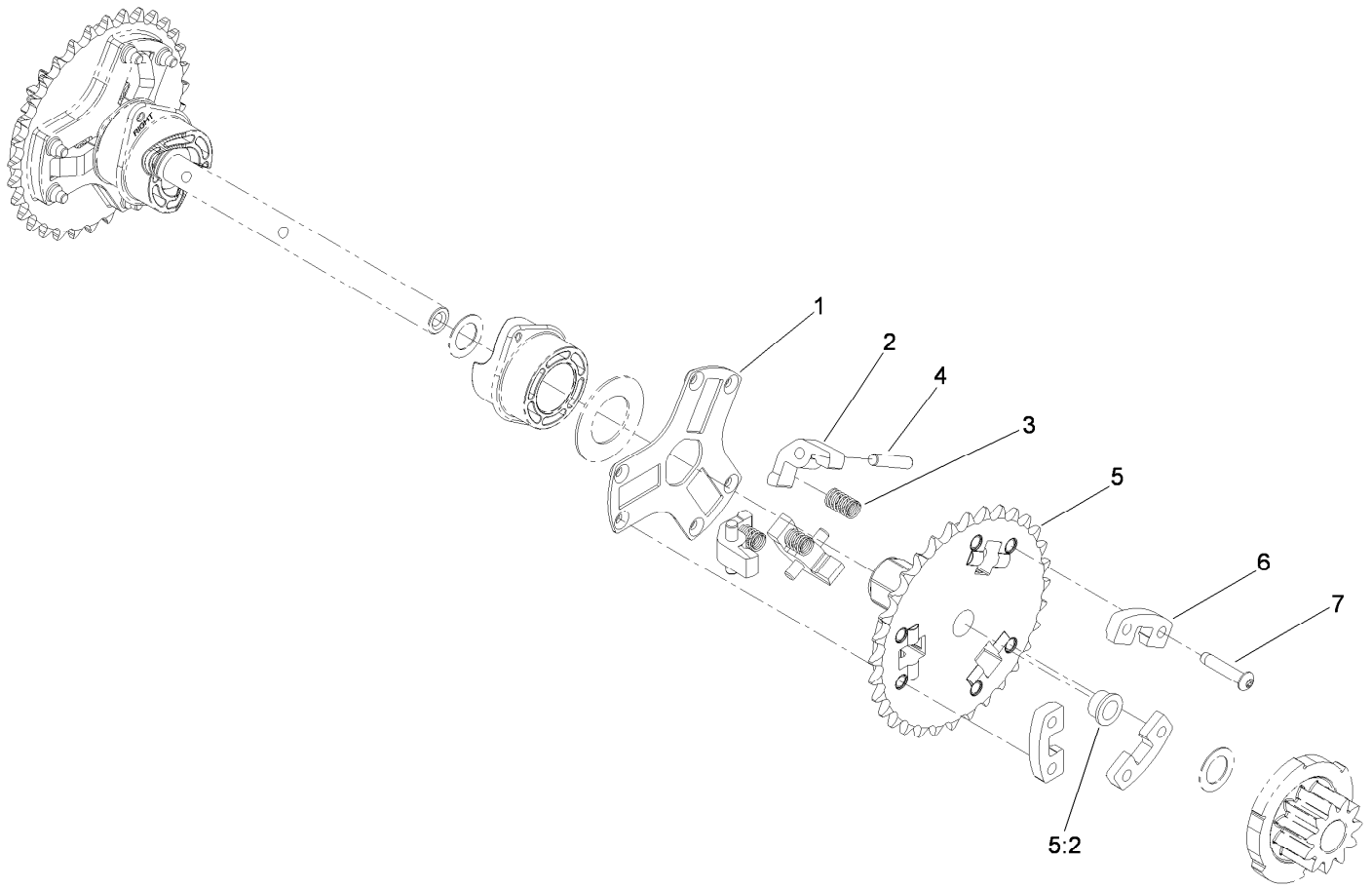
● Not serviced separately



Wheel Clutch Assembly (continued)

Ref.	Part Number	Qty.	Description	Ref.	Part Number	Qty.	Description
40	32144-14	2	Screw-HWHTF	45	94-8850	2	Key-Square
41	55-9370	2	Spacer-Blade, Rotor	46	3245-32	4	Screw-HSH
42	108-7314	1	Shaft-Hex	47	106-7317	2	Sprocket-8 Tooth
43	106-4434	1	Trunion-Hex	48	108-7319	2	Retainer-Bearing
44	32121-9	2	Pin-Roll, Slotted				

● Not serviced separately



Wheel Clutch Sprocket Assembly

<i>Ref.</i>	<i>Part Number</i>	<i>Qty.</i>	<i>Description</i>
1	107-8886	2	Retainer-Pin, Pawl
2	107-8879	6	Pawl-Clutch
3	107-8885	6	Spring-Compression
4	107-8899	6	Pin-Dowel
5	107-8895	2	32T Sprocket ASM
5:2	108-2973	2	Bushing-Flange
6	107-8880	6	Support-Pawl
7	108-0035	12	Screw-Torx Button Head

Attachments and Accessories

For 38633 Power Max 826 OXE Snowthrower

Product Name	Model/Part
Tire Chain Kit	107-3813
Snow Cab	107-3814
Weight Kit	107-3815
26in Drift Breaker	107-3816

Notes:

Notes:



Count on it.