



Hour Meter Kit

for 2011 and After TimeCutter Riding Mower

Model No. 120-5498

Installation Instructions

Loose Parts

Use the chart below to verify that all parts have been shipped.

Description	Qty.	Use
Hour meter	1	Install the hour meter.

Installing the Hour Meter

1. Raise the seat.
2. Locate the existing cutout on the seat support, the main wiring harness leading to the seat switch, and the hour meter lead affixed to that wiring harness.
3. Detach the hour meter connector from the wiring harness, move it rearward, and pull it up through the cutout in the seat support.
4. Connect the hour meter to the harness.

Note: Insert the 2 perpendicular prongs of the hour meter into the 2 slots in the hour meter connector as shown in Figure 1.

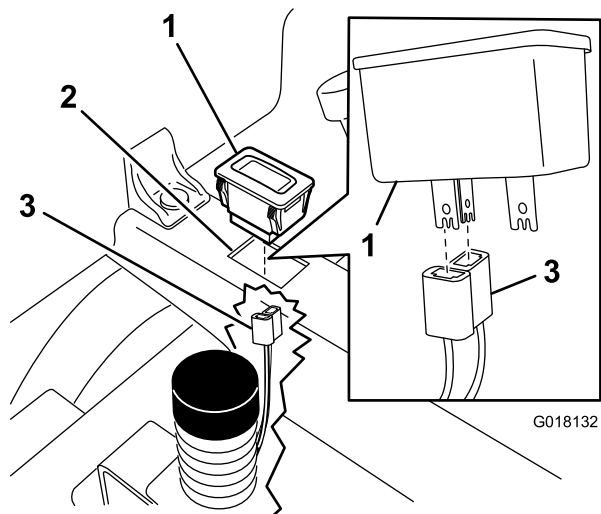


Figure 1

- | | |
|---------------------------|----------------------------------|
| 1. Hour meter | 3. Existing hour meter connector |
| 2. Cutout in seat support | |

5. Install the hour meter into the cutout (Figure 1).

Note: Push gently until the integrated clip snaps into place.

6. Lower the seat.