



Count on it.

Parts Catalog

ProStripe 560 Mower

Model No. 02656—Serial No. 312000001 and Up



Ordering Replacement Parts

To order replacement parts, please supply the part number, the quantity, and the description of each part desired.

Understanding Reference Numbers

Each identified part in an illustration has a reference number. The reference number for a part also appears in the parts list, along with other information about the part.

This catalog uses two special reference number formats, one to indicate parts in a service assembly and another to indicate the quantity of a given part in an illustration.

Service Assembly Reference Numbers

Parts in service assemblies have reference numbers in the form a:b. The a represents the reference number of the entire service assembly and the b represents a sequential number unique to each part within the service assembly.

For example, a wheel assembly might be identified by reference number 6, the tire by 6:1, the valve by 6:2, and the wheel by 6:3. When you order the assembly identified by reference number 6, you receive all parts identified by reference numbers 6:1, 6:2, and 6:3. However, you may also order any part individually. Reference numbers of this type appear in illustration and in parts lists.

Reference Numbers Indicating Quantity

In an illustration, if a reference number indicates more than one part, the reference number has the form nX y. The n represents the quantity of the part, the X is the multiplication symbol, and the y represents the reference number.

For example, in an illustration, the reference number 2X 37 means that two of the parts identified by reference number 37 are indicated.

List of Abbreviations

AR: as required

ASM: assembly

BBC: blade brake control

BHTF: button head thread forming

CARR: carriage

CCW: counter clockwise

CW: clockwise

DEG: degrees

DPA: Dual Point Adjustment

ECM: electronic control module

EXT: external

FH: flat head

GA: gauge

HD: heavy-duty

HF: hex flange

HH: hex head

HHF: hex head flange

HHFTF: hex head flange thread forming

HJ: hex jam

HLH: hex lag head

HOC: height-of-cut

HSBH: hex socket button head

HSFH: hex socket flat head

HSH: hex socket head

HWH: hex washer head

HWTF: hex washer head thread forming

HYD: hydraulic

LH: left hand

LPG: Liquid Propane Gas

NI: nylon insert

NPTF: national pipe thread fine

PFH: phillips flat head

PPH: phillips pan head

PPHTF: phillips pan head thread forming

PRH: phillips round head

PTH: phillips truss head

PTO: power-take-off

RH: right hand

ROPS: roll-over protection system

RRB: rear roller brush

SFH: slotted fillister head

SHH: slotted hex head

SHWH: slotted hex washer head

SPH: slotted pan head

SQH: square head

SRH: slotted round head

STD: standard

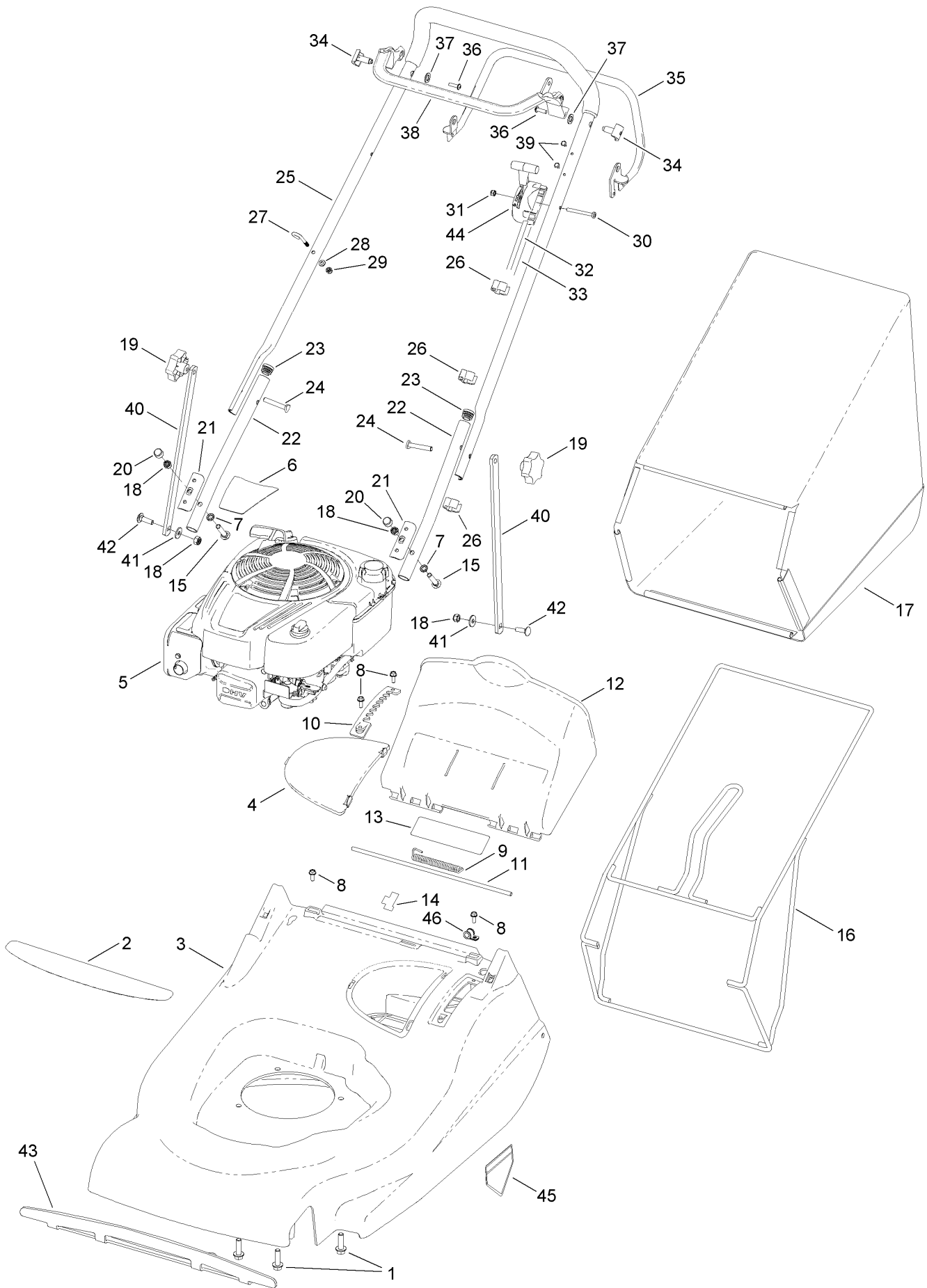
TAP: self tapping

TTH: torx truss head

Contents

Upper Assembly 4
Lower Assembly 6

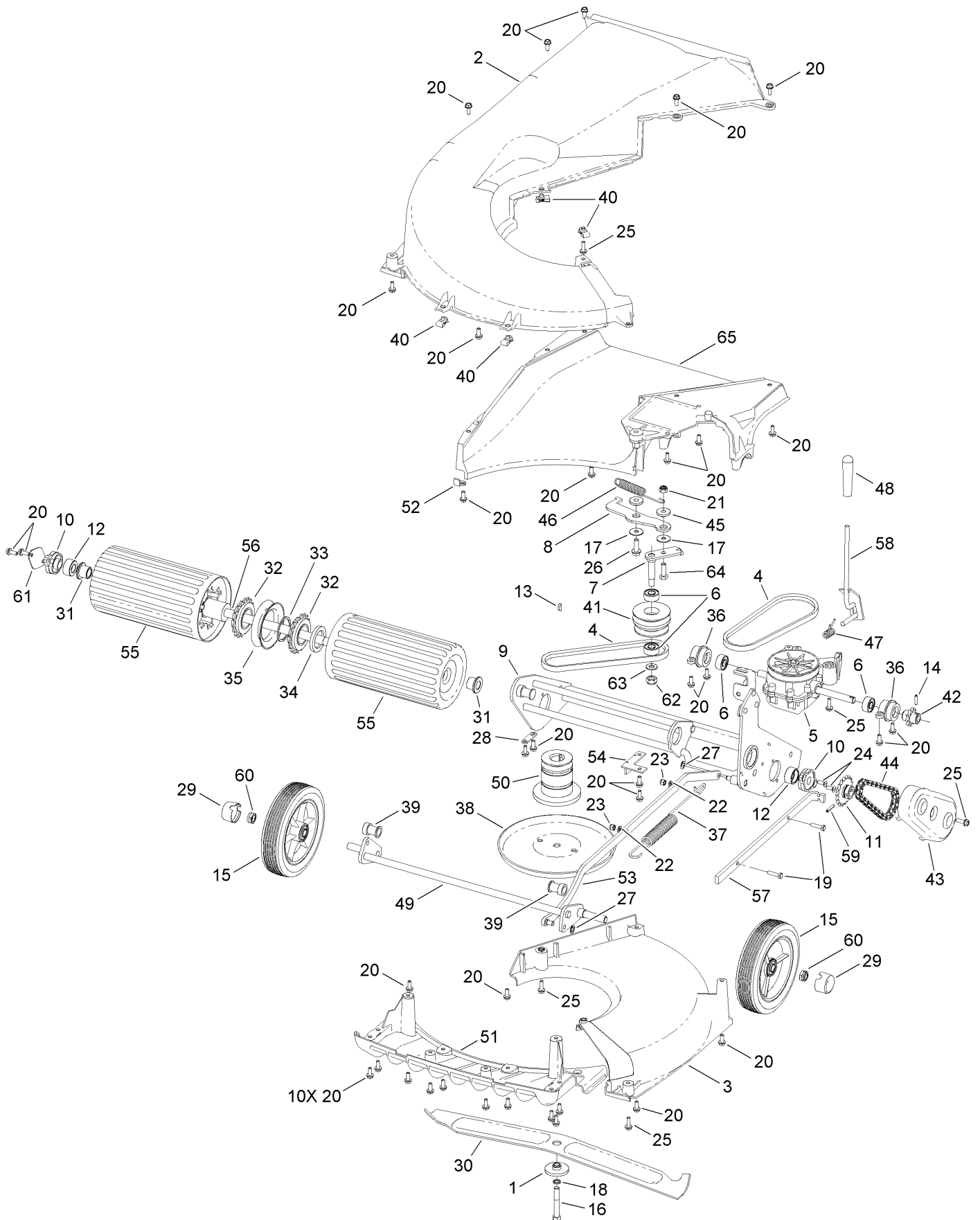
Upper Assembly



Upper Assembly (continued)

<i>Ref.</i>	<i>Part Number</i>	<i>Qty.</i>	<i>Description</i>	<i>Ref.</i>	<i>Part Number</i>	<i>Qty.</i>	<i>Description</i>
1	09349	3	Screw-Taptite, Unc	24	09785	2	Bolt
2	111-5439	1	Decal-Deck	25	111-0519	1	Handlebar-Upper
3	111-5553	1	Deck	26	410037	3	Guide-Cable
4	560015	1	Cover-Battery	27	305093	1	Guide-Rope
5	111-5341	1	Engine-Briggs, 121Q020130F1	28	09472	1	Washer-Plain
6	111-5438	1	Decal-Engine	29	09544	1	Nut-Nyloc
7	04020	2	Grip-Fix	30	09780	1	Setscrew
8	09365	4	Screw-Taptite	31	09438	1	Nut-Nyloc
9	410030	1	Spring-Deflector	32	111-0997	1	Cable-Engine, Brake
10	560018	1	Ratchet-Plate, HOC	33	111-1469	1	Cable-Clutch
11	560017	1	Rod-Deflector	34	340182	2	Pin-Pivot
12	111-1714	1	Deflector-Rear	35	111-1921-03	1	Lever-Clutch
13	111-5929	1	Decal-Safety	36	09687	2	Screw
14	320006	1	Decal-HOC	37	09688	2	Washer-Nylon
15	09379	2	Bolt-Coach	38	340179	1	Lever-Engine
16	111-1497-03	1	Frame-Grassbag	39	300144	2	Fastener-Drive
17	111-5340	1	Grassbag-Fabric	40	111-3324-03	2	Brace-Handlebar
18	09441	4	Nut-Nyloc	41	09267	2	Washer
19	480088	2	Knob-Handlebar	42	09373	2	Bolt-Coach
20	HY234051	2	Cap-Nut	43	111-3117-03	1	Bar-Bump, Plate
21	340028	2	Plate-Clamp, Handlebar	44	111-3444	1	Control-Speed, Engine
22	111-1384-03	2	Handlebar-Lower	45	94-8072	1	Decal-Danger
23	300160	2	Plug-Tube	46	70-07-109	1	Clip-Cable

Lower Assembly



Lower Assembly (continued)

<i>Ref.</i>	<i>Part Number</i>	<i>Qty.</i>	<i>Description</i>	<i>Ref.</i>	<i>Part Number</i>	<i>Qty.</i>	<i>Description</i>
1	HY4014	1	Spacer-Distance, Cutterbar	34	340163	1	Locknut
2	111-1164	1	Underdeck-Fixed	35	340168	1	Shroud-Freewheel
3	111-1163	1	Underdeck-Removable	36	410048	2	Housing-Pivot Bearing, LH
4	411024	2	Belt-Variator (520)	37	410050	1	Spring-Counter Balance
5	111-3422	1	Gearbox ASM	38	410057W	1	Disc-Friction
6	111-1276	4	Bearing	39	410069	2	Bearing-Axle, Front
7	111-3326	1	Lever Take-Up ASM	40	410076	4	Nut
8	111-3250	1	Arm-Plate, Take-Up	41	111-3109	1	Pulley (Take-Up)
9	111-1485-03	1	Frame-Roller, Rear	42	411011	1	Sprocket-Gearbox
10	111-1492	2	Bearing-Roller	43	411013	1	Cover-Drive
11	111-1552	1	Sprocket-18T	44	411016	1	Chain-40 Pitches (3/8 Inch Link)
12	111-1860	2	Cover-Dust, Bushing	45	411031	2	Bushing-Pivot
13	1662	1	Key-Woodruff	46	HY412004	1	Spring-Variator
14	03997	1	Pin-Roll	47	480132	1	Spring-Torsion, HOC
15	111-1250	2	Wheel-Ribbed	48	480134	1	Knob-HOC
16	09122	1	Bolt-Unf	49	560008	1	Axle-Front
17	09270	2	Washer-Plain	50	111-3320	1	Boss-Blade, Carrier
18	09273	1	Washer-Spring	51	111-3364	1	Fins-Front
19	09364	2	Screw-HH	52	560027	1	Clamp
20	09365	35	Screw-Taptite	53	560028	1	Rod-Connecting
21	09441	1	Nut-Nyloc	54	560029	1	Bracket-Rod
22	09472	2	Washer-Plain	55	560031W	2	Roller-Rear
23	09544	2	Nut-Nyloc	56	111-1717	1	Shaft-Roller
24	09545	2	Screw-Taptite	57	560037	1	Bar-Spring Tension
25	09575	7	Screw-Taptite	58	560046	1	Lever-HOC
26	09787	1	Screw-Taptite	59	HY03354	1	Pin-Spring, Selloc
27	0201086	2	Washer-Starlock	60	HY4486	2	Nut-Unf
28	219037	1	Plate-Securing	61	111-1861	1	Plate-Cover, Dust
29	111-1251	2	Cap-Hub	62	ZNN1J000U	1	Nut-Hex, Nyloc
30	340015	1	Cutterbar	63	ZWQ1J000U	1	Washer-Plain
31	340129	2	Bushing-Roller, Oilite	64	03162	1	Screw-HH
32	340150	2	Freewheel-Roller	65	560011-03	1	Throwplate
33	340157	1	Spacer-Steel				



Count on it.