



Count on it.

Parts Catalog

780 Series Golf Sprinkler

Model No. 780 Series

Ordering Replacement Parts

To order replacement parts, please supply the part number, the quantity, and the description of each part desired.

Understanding Reference Numbers

Each identified part in an illustration has a reference number. The reference number for a part also appears in the parts list, along with other information about the part.

This catalog uses two special reference number formats, one to indicate parts in a service assembly and another to indicate the quantity of a given part in an illustration.

Service Assembly Reference Numbers

Parts in service assemblies have reference numbers in the form a:b. The a represents the reference number of the entire service assembly and the b represents a sequential number unique to each part within the service assembly.

For example, a wheel assembly might be identified by reference number 6, the tire by 6:1, the valve by 6:2, and the wheel by 6:3. When you order the assembly identified by reference number 6, you receive all parts identified by reference numbers 6:1, 6:2, and 6:3. However, you may also order any part individually. Reference numbers of this type appear in illustration and in parts lists.

Reference Numbers Indicating Quantity

In an illustration, if a reference number indicates more than one part, the reference number has the form nX y. The n represents the quantity of the part, the X is the multiplication symbol, and the y represents the reference number.

For example, in an illustration, the reference number 2X 37 means that two of the parts identified by reference number 37 are indicated.

List of Abbreviations

AR: as required

ASM: assembly

BBC: blade brake control

BHTF: button head thread forming

CARR: carriage

CCW: counter clockwise

CW: clockwise

DEG: degrees

DPA: Dual Point Adjustment

ECM: electronic control module

EXT: external

FH: flat head

GA: gauge

HD: heavy-duty

HF: hex flange

HH: hex head

HHF: hex head flange

HHFTF: hex head flange thread forming

HJ: hex jam

HLH: hex lag head

HOC: height-of-cut

HSBH: hex socket button head

HSFH: hex socket flat head

HSH: hex socket head

HWH: hex washer head

HWHTF: hex washer head thread forming

HYD: hydraulic

LH: left hand

LP: Liquid Propane

NI: nylon insert

NPTF: national pipe thread fine

PFH: phillips flat head

PPH: phillips pan head

PPHTF: phillips pan head thread forming

PRH: phillips round head

PTH: phillips truss head

PTO: power-take-off

RH: right hand

ROPS: roll-over protection system

RRB: rear roller brush

SFH: slotted fillister head

SHH: slotted hex head

SHWH: slotted hex washer head

SPH: slotted pan head

SQH: square head

SRH: slotted round head

STD: standard

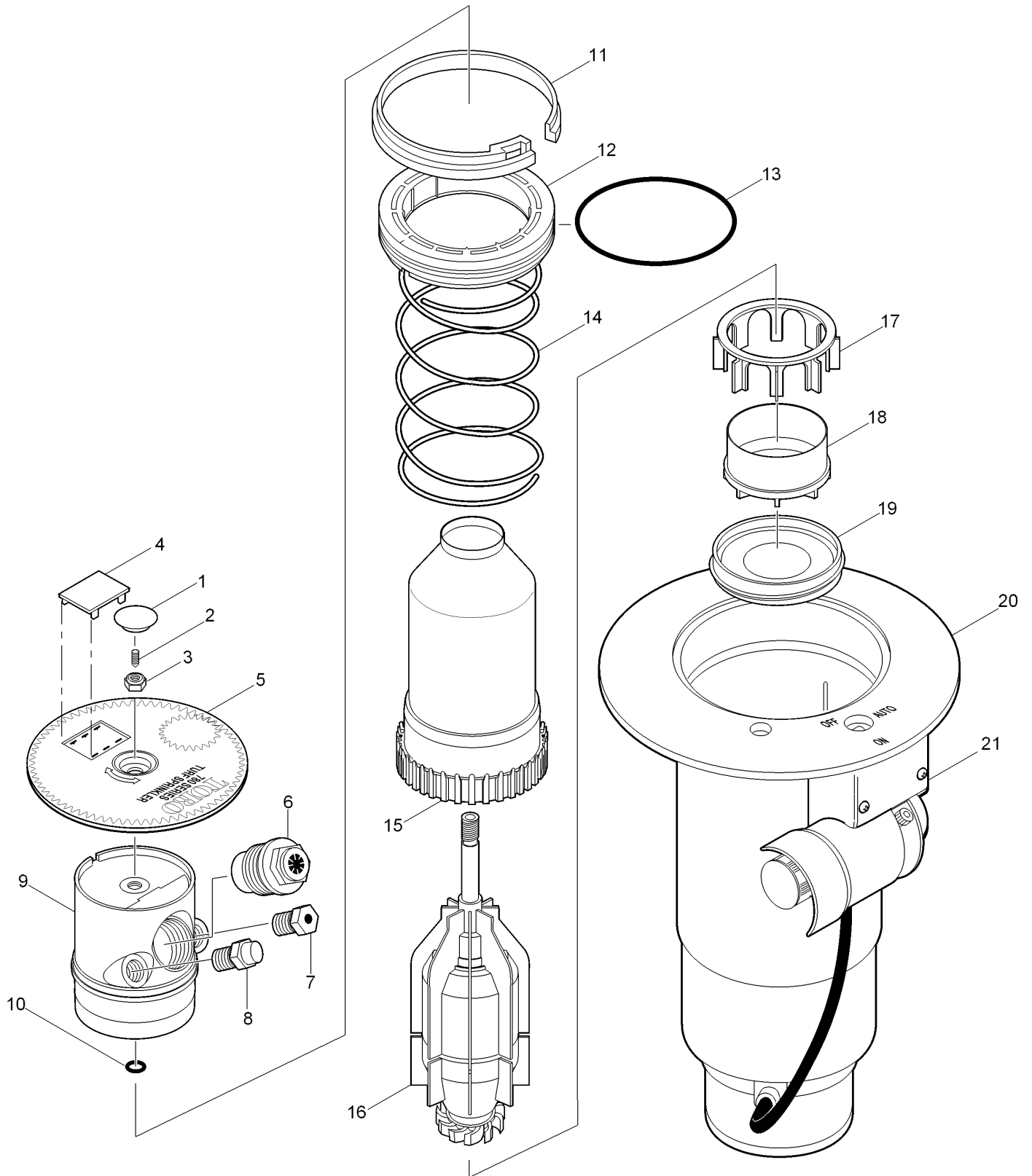
TAP: self tapping

TTH: torx truss head

Contents

780 Series Golf Sprinklers	4
780 Series Ribless Body Conversion Assembly	6

780 Series Golf Sprinklers



780 Series Golf Sprinklers (continued)

<i>Ref.</i>	<i>Part Number</i>	<i>Qty.</i>	<i>Description</i>	<i>Ref.</i>	<i>Part Number</i>	<i>Qty.</i>	<i>Description</i>
1	89-1220	1	Plug, Adjustment	21			Pilot Valve Assy. (See Pilot Valve Assembly Section) ◻ ◆
2	363-3150	1	Screw, Set, 10-32 X .250 (Part Circle Only)	363-3125			Plug, 1/2" Npt ● ▲
3	363-4039	1	Nut, 5/16-24, W/ Nylon Lock	102-0840			Nozzle, Inner/Intermediate, Blank, Red ● ▲
4	89-1589	1	Plug, Cap (Black)	89-4651			Nozzle, Inner, 82 Yellow (Pre-November 2003) ● ▲
5	89-1584	1	Cap, 780	89-3942			Nozzle, Inner, 83 Blue (Pre-November 2003) ● ▲
5	89-8288	1	Cap, Effluent	89-4652			Nozzle, Inner, 84 Brown (Pre-November 2003) ● ▲
6	89-1925	1	Nozzle, Main, 62 Yellow	89-3729			Nozzle, Inner, 85 Orange (Pre-November 2003) ● ▲
6	89-1926	1	Nozzle, Main, 63 Blue	89-4653			Nozzle, Inner, 86 Green (Pre-November 2003) ● ▲
6	89-1927	1	Nozzle, Main, 64 Brown	89-1879			Nozzle, Inner, 87 Gray (Pre-November 2003) ● ▲
6	89-1928	1	Nozzle, Main, 65 Orange	89-4654			Nozzle, Inner, 88 Black (Pre-November 2003) ● ▲
6	89-1929	1	Nozzle, Main, 66 Green	89-1878			Nozzle, Inner, 89 Red ● ▲
6	89-1930	1	Nozzle, Main, 67 Gray	89-4649			Restrictor, (82 & 83 Black) (Pre-November 2003) ● ▲
6	89-1931	1	Nozzle, Main, 68 Black	89-4650			Restrictor, (84-89 White) (Pre-November 2003) ● ▲
6	89-4655	1	Nozzle, Main, 89 Red	YARDMARKYEL10			Yardage Marker, Yellow (10-Sheets Per Pack) ● ▲
7	102-2925	1	Nozzle Assy. Intermediate, Blue (Used W/ #82 Yellow & #83 Blue Mains)	YARDMARKLAV10			Yardage Marker, Lavender (For Non-Potable Water Applications) ● ▲
7	102-0608	1	Nozzle, Intermediate, Orange (Used W/ #84 Brown Main)	995-09			Valve Removal Tool ■ ▲
7	102-0609	1	Nozzle, Intermediate, Gray (Used W/ #85 Orange Main)	995-15			Selector Tool (Flag Key) ■ ▲
7	102-0610	1	Nozzle, Intermediate, Red (Use W/ #86 Green & #87 Gray Mains)	995-55			Riser Hold-Up Tool ■ ▲
7	102-2929	1	Nozzle, Intermediate, Beige (Use W/ #88 Black & #89 Red Mains)	995-79			Nut Driver, 7/16" (For Inner And Intermediate Nozzles) ■ ▲
8	102-2980	1	Nozzle Assy. Inner, Red (W/ Restrictor)	995-80			Nut Driver, 1/2" (For 363-4039 Lock Nut) ■ ▲
9	89-1906	1	Nozzle Base Assy., 760/780	995-81			Nut Driver, 9/16" (For Main Nozzle) ■ ▲
9	102-0057	1	Nozzle Base Assy., 760/780 W/Back Nozzle (Includes 89-3729 #85 Inner Nozzle & 89-4650 Restrictor)	995-82			Arc Adjustment Tool, 3/32" (T-Handle Hex Wrench) ■ ▲
10	360-0107	1	O-Ring (0.070 X 0.301 X 0.441)	995-83			Multi-Purpose Tool ■ ▲
11	35-6119	1	Snap Ring, Riser	995-85			Riser Removal Tool ■ ▲
12	102-0136	1	Retainer, Seal, 1.5"	995-101			Valve Insertion Tool ■ ▲
13	363-4103	1	O-Ring, Body	995-100			Valve Snap Ring Pliers With Screen Remover ■ ▲
14	89-6307	1	Spring, Return	118-0954	1		Riser Hold-Up Tool, Red ■ ▲
15	89-6361	1	Riser Assembly, 880S				
16	102-4497	1	Drive Assy., Part Circle (Pc), 12-Pack				
16	102-4496	1	Drive Assy., Full Circle (Fc), 12-Pack				
17	89-1958	1	Stator Support				
18	89-1957	1	Stator, Variable				
19	89-1588	1	Screen				
20		1	Body Assy. (See Sprinkler Golf Body Assembly Section) ◻ ◆				

● SERVICE ITEMS

▲ Not illustrated

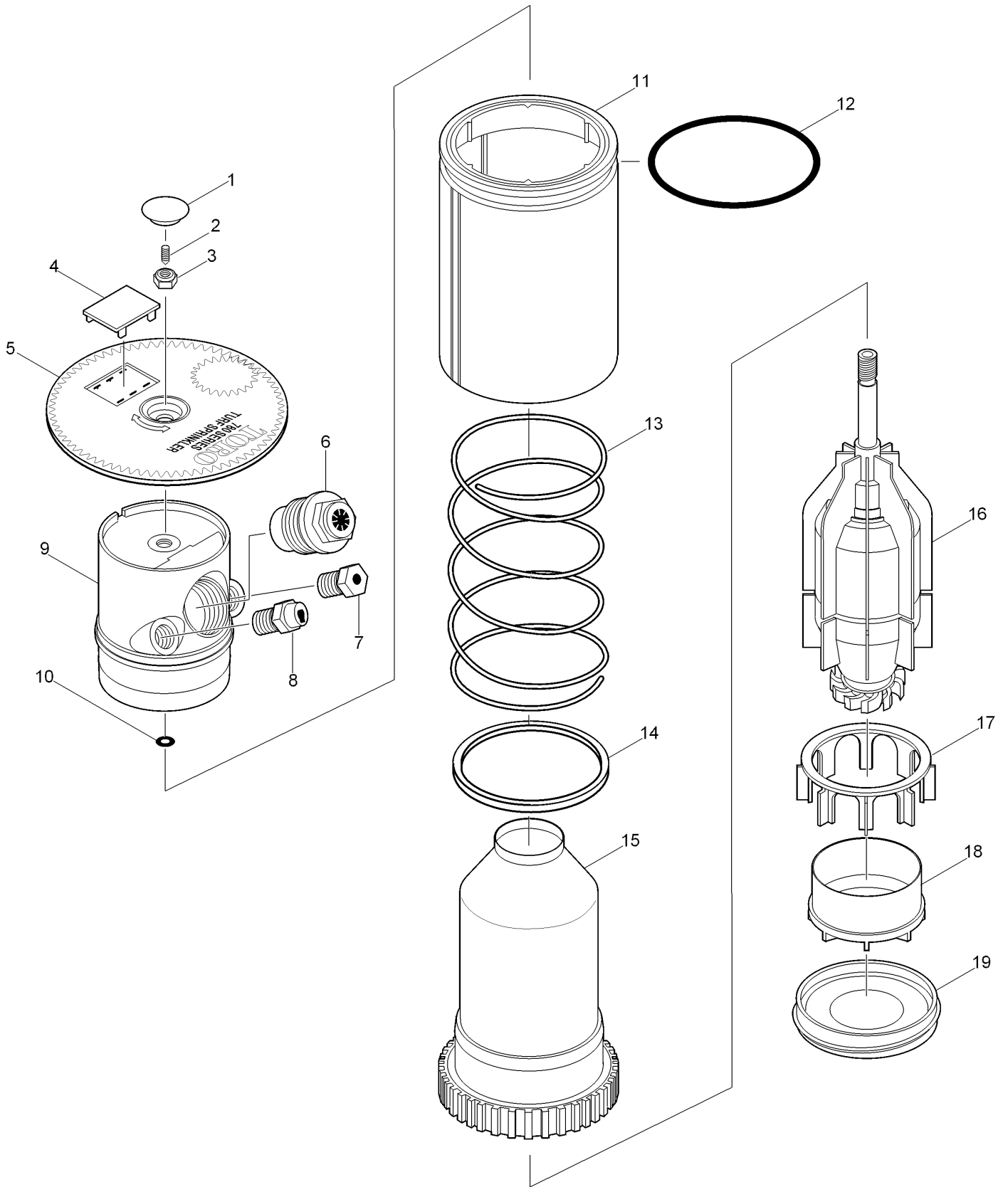
◻ See Pilot Valve Assembly Section.

■ SERVICE TOOLS

◆ Not serviced separately

○ See Golf Sprinkler Body Assembly Section.

780 Series Ribless Body Conversion Assembly



780 Series Ribless Body Conversion Assembly (continued)

<i>Ref.</i>	<i>Part Number</i>	<i>Qty.</i>	<i>Description</i>	<i>Ref.</i>	<i>Part Number</i>	<i>Qty.</i>	<i>Description</i>
1	89-1220	1	Plug, Adjustment	17	89-1958	1	Stator Support
2	363-3150	1	Screw, Set, 10-32 X .250 (Part Circle Only)	18	89-1957	1	Stator, Variable
3	363-4039	1	Nut, 5/16-24, W/ Nylon Lock	19	89-1588	1	Screen
4	89-1589	1	Plug, Cap (Black)	363-3125			Plug, 1/2" Npt ●▲
5	89-1584	1	Cap, 780	102-0840			Nozzle, Inner/Intermediate, Blank, Red ●▲
5	89-8288	1	Cap, Effluent	89-4651			Nozzle, Inner, 82 Yellow (Pre-November 2003) ●▲
6	89-1925	1	Nozzle, Main, 62 Yellow	89-3942			Nozzle, Inner, 83 Blue (Pre-November 2003) ●▲
6	89-1926	1	Nozzle, Main, 63 Blue	89-4652			Nozzle, Inner, 84 Brown (Pre-November 2003) ●▲
6	89-1927	1	Nozzle, Main, 64 Brown	89-3729			Nozzle, Inner, 85 Orange (Pre-November 2003) ●▲
6	89-1928	1	Nozzle, Main, 65 Orange	89-4653			Nozzle, Inner, 86 Green (Pre-November 2003) ●▲
6	89-1929	1	Nozzle, Main, 66 Green	89-1879			Nozzle, Inner, 87 Gray (Pre-November 2003) ●▲
6	89-1930	1	Nozzle, Main, 67 Gray	89-1878			Nozzle, Inner, 88 Black (Pre-November 2003) ●▲
6	89-1931	1	Nozzle, Main, 68 Black	89-4649			Nozzle, Inner, 89 Red ●▲
6	89-4655	1	Nozzle, Main, 89 Red	89-4649			Restrictor, (82 & 83 Black) (Pre-November 2003) ●▲
7	102-2925	1	Nozzle Assy. Intermediate, Blue (Use W/ #82 Yellow & #83 Blue Main Nozzles)	89-4650			Restrictor, (84-89 White) (Pre-November 2003) ●▲
7	102-0608	1	Nozzle, Intermediate, Orange (Use W/ #84 Brown Main Nozzle)	995-09			Valve Removal Tool ■▲
7	102-0609	1	Nozzle, Intermediate, Gray (Use W/ #84 Orange Main Nozzle)	995-15			Selector Tool (Flag Key) ■▲
7	102-0610	1	Nozzle, Intermediate, Red (Use W/ #86 Green & #87 Gray Main Nozzles)	995-55			Riser Hold-Up Tool ■▲
7	102-2929	1	Nozzle, Intermediate, Beige (Use W/ #88 Black & #89 Red Main Nozzles)	995-79			Nut Driver, 7/16" (For Inner And Intermediate Nozzles) ■▲
8	102-2980	1	Nozzle Assy. Inner, Red (W/ Restrictor)	995-80			Nut Driver, 1/2" (For 363-4039 Lock Nut) ■ ▲
9	89-1906	1	Nozzle Base Assy., 760/780	995-81			Nut Driver, 9/16" (For Main Nozzle) ■▲
9	102-0057	1	Nozzle Base Assy., 760/780 W/Back Nozzle	995-82			Arc Adjustment Tool, 3/32" (T-Handle Hex Wrench) ■▲
10	360-0107	1	O-Ring (0.070 X 0.301 X 0.441)	995-83			Multi-Purpose Tool ■▲
11	89-7568	1	Sleeve, Retainer, O-Ring, Conversion	995-85			Riser Removal Tool ■▲
12	363-4103	1	O-Ring, Body	995-101			Valve Insertion Tool ■▲
13	89-6307	1	Spring, Return	995-100			Valve Snap Ring Pliers With Screen Remover ■▲
14	89-7569	1	Seal, Riser	118-0954	1		Riser Hold-Up Tool, Red ■▲
15	89-6360	1	Riser Assembly				
16	102-4497	1	Drive Assy., Part Circle (Pc), 12-Pack				
16	102-4496	1	Drive Assy., Full Circle (Fc), 12-Pack				

● SERVICE ITEMS
▲ Not illustrated

■ SERVICE TOOLS



Count on it.