



# CCR® 6053 Quick Clear™ Snowthrower

Model No. 38571—Serial No. 280000001 and Up

Model No. 38575—Serial No. 280000001 and Up

## Operator's Manual

## Introduction

Read this information carefully to learn how to operate and maintain your product properly and to avoid injury and product damage. You are responsible for operating the product properly and safely.

You may contact Toro directly at [www.Toro.com](http://www.Toro.com) for product and accessory information, help finding a dealer, or to register your product.

Whenever you need service, genuine Toro parts, or additional information, contact an Authorized Service Dealer or Toro Customer Service and have the model and serial numbers of your product ready. Figure 1 identifies the location of the model and serial numbers on the product. Write the numbers in the space provided.

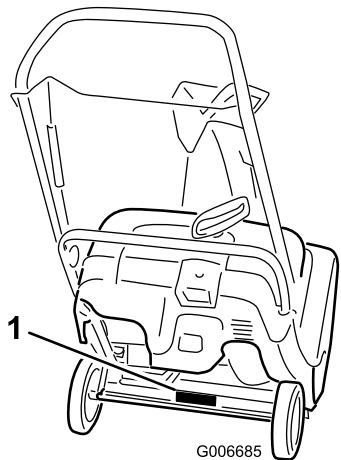


Figure 1

1. Model and serial number location

|                  |
|------------------|
| Model No. _____  |
| Serial No. _____ |

This manual identifies potential hazards and has safety messages identified by the safety alert symbol (Figure 2), which signals a hazard that may cause serious injury or death if you do not follow the recommended precautions.



Figure 2

1. Safety alert symbol

This manual uses 2 words to highlight information. **Important** calls attention to special mechanical information and **Note** emphasizes general information worthy of special attention.

## Safety

**This snowthrower meets or exceeds the ISO standard 8437 in effect at the time of production.**

**Read and understand the contents of this manual before the engine is ever started.**

**▲ This is the safety alert symbol. It is used to alert you to potential personal injury hazards. Obey all safety messages that follow this symbol to avoid possible injury or death.**

**Improperly using or maintaining this snowthrower could result in injury or death. To reduce this potential, comply with the following safety instructions.**

## Training

- Read, understand, and follow all instructions on the machine and in the manual(s) before operating this unit. Be thoroughly familiar with the controls and the proper use of the equipment. Know how to stop the unit and disengage the controls quickly.
- Never allow children to operate the equipment. Never allow adults to operate the equipment without proper instruction.
- Keep the area of operation clear of all persons, particularly small children.
- Exercise caution to avoid slipping or falling.

## Preparation

- Thoroughly inspect the area where the equipment is to be used and remove all doormats, sleds, boards, wires, and other foreign objects.
- Do not operate the equipment without wearing adequate winter garments. Avoid loose fitting clothing that can get caught in moving parts. Wear footwear that will improve footing on slippery surfaces.
- Handle fuel with care; it is highly flammable.
  - Use an approved fuel container.
  - Never add fuel to a running engine or hot engine.
  - Fill fuel tank outdoors with extreme care. Never fill fuel tank indoors.
  - Never fill containers inside a vehicle or on a truck or trailer bed with a plastic liner. Always place containers on the ground, away from your vehicle, before filling.
  - When practical, remove gas-powered equipment from the truck or trailer and refuel it on the ground. If this is not possible, then refuel such equipment on a trailer with a portable container, rather than from a gasoline dispenser nozzle.
  - Keep the nozzle in contact with the rim of the fuel tank or container opening at all times, until refueling is complete. Do not use a nozzle lock-open device.
  - Replace gasoline cap securely and wipe up spilled fuel.
  - If fuel is spilled on clothing, change clothing immediately.
  - Do not smoke while handling gasoline.
- Use extension cords and receptacles as specified by the manufacturer for all units with electric starting motors.
- Do not attempt to clear snow from a gravel or crushed rock surface. This product is intended for use only on paved surfaces.
- Never attempt to make any adjustments while the engine is running (except when specifically recommended by manufacturer).
- Always wear safety glasses or eye shields during operation or while performing an adjustment or repair to protect eyes from foreign objects that may be thrown from the machine.
- Let engine and machine adjust to outdoor temperatures before starting to clear snow.

## Operation

- Do not put hands or feet near or under rotating parts. Keep clear of the discharge opening at all times.
- Exercise extreme caution when operating on or crossing gravel drives, walks, or roads. Stay alert for hidden hazards or traffic.
- After striking a foreign object, stop the engine, remove the ignition key, thoroughly inspect the snowthrower for any damage, and repair the damage before restarting and operating the snowthrower.
- If the unit should start to vibrate abnormally, stop the engine and check immediately for the cause. Vibration is generally a warning of trouble.
- Stop the engine whenever you leave the operating position, before unclogging the rotor blade housing or discharge chute, and when making any repairs, adjustments or inspections.
- When cleaning, repairing, or inspecting the snowthrower, stop the engine and make certain that the rotor blades and all moving parts have stopped.
- Do not run the engine indoors, except when starting the engine and for transporting the snowthrower in or out of the building. Open the outside doors; exhaust fumes are dangerous.
- Exercise extreme caution when operating on slopes.
- Never operate the snowthrower without proper guards and other safety protective devices in place and working.
- Never direct the discharge toward people or areas where property damage can occur. Keep children and others away.
- Do not overload the machine capacity by attempting to clear snow at too fast a rate.
- Look behind and use care when backing up with the snowthrower.
- Disengage power to the rotor blades when snowthrower is transported or not in use.
- Never operate the snowthrower without good visibility or light. Always be sure of your footing, and keep a firm hold on the handles. Walk; never run.
- Never touch a hot engine or muffler.

## Clearing a Clogged Discharge Chute

Hand contact with the rotating rotor blades inside the discharge chute is the most common cause of injury associated with snowthrowers. Never use your hand to clean out the discharge chute.

To clear the chute:

- **Shut the engine off!**
- Wait 10 seconds to be sure the rotor blades have stopped rotating.
- Always use a clean-out tool, not your hands.

## Maintenance and Storage

- Check all fasteners at frequent intervals for proper tightness to be sure the equipment is in safe working condition.
- Never store the machine with fuel in the fuel tank inside a building where ignition sources are present, such as hot water heaters, space heaters, or clothes dryers. Allow the engine to cool before storing in any enclosure.
- Always refer to the *Operator's Manual* for important details if the snowthrower is to be stored for an extended period.
- Maintain or replace safety and instruction labels, as necessary.
- Run the machine a few minutes after throwing snow to prevent freeze-up of the rotor blades.

## Toro Snowthrower Safety

The following list contains safety information specific to Toro products or other safety information that you must know.

- **Rotating rotor blades can injure fingers or hands.** Stay behind the handles and away from the discharge opening while operating the snowthrower. **Keep your face, hands, feet, and any other part of your body or clothing away from moving or rotating parts.**
- Before adjusting, cleaning, repairing, and inspecting the snowthrower, and before unclogging the discharge chute, **stop the engine, remove the key, and wait for all moving parts to stop.**
- **Before** leaving the operating position, stop the engine, remove the key, and wait for all moving parts to stop.

- If a shield, safety device, or decal is damaged, illegible, or lost, repair or replace it before beginning operation. Also, tighten any loose fasteners.
- **Do not** use the snowthrower on a roof.
- Do not touch the engine while it is running or soon after it has stopped because the engine may be hot enough to cause a burn.
- Perform only those maintenance instructions described in this manual. Before performing any maintenance, service, or adjustment, stop the engine and remove the key. If major repairs are ever needed, contact an Authorized Service Dealer.
- Do not change the governor settings on the engine.
- When storing the snowthrower for more than 30 days, drain the fuel from the fuel tank to prevent a potential hazard. Store fuel in an approved fuel container. Remove the key from the ignition switch before storing the snowthrower.
- Purchase only genuine Toro replacement parts and accessories.

## Sound Pressure

This unit has a maximum sound pressure level at the operator's ear of 94 dBA, based on measurements of identical machines per EN 11201.

## Sound Power

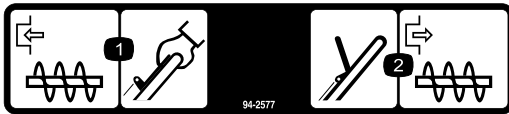
This unit has a guaranteed sound power level of 105 dBA, based on measurements of identical machines per EN 3744.

## Vibration

This unit does not exceed a hand/arm vibration level of 12.7 m/s<sup>2</sup>, based on measurements of identical machines per EN 1033.

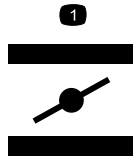
# Safety and Instructional Decals

**Important:** Safety and instruction decals are located near areas of potential danger. Replace damaged decals.



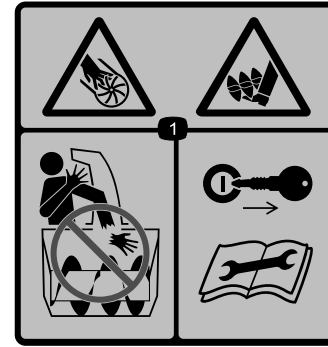
94-2577

1. To engage the rotor blades, hold the control bar against the handle.
2. To disengage the rotor blades, release the control bar.



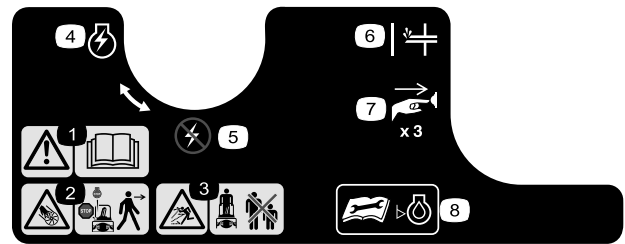
110-9363

1. Choke



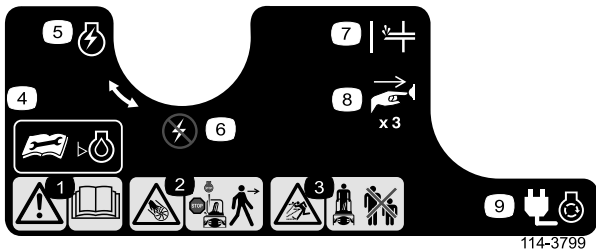
114-1711

1. Cutting/dismemberment hazard, rotor blades—do not place your hand in the chute; remove the ignition key and read the instructions before servicing or performing maintenance.



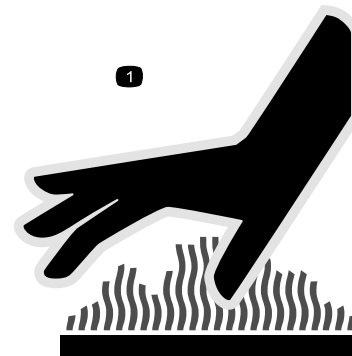
114-3753 (Model 38575 only)

- |   |  |
|---|--|
| 1. Warning—read the <i>Operator's Manual</i> .  | 5. Engine switch Off   |
| 2. Cutting/dismemberment hazard, rotor blades—stop the engine before leaving the machine. | 6. Primer  |
| 3. Thrown object hazard—keep bystanders a safe distance from the machine.                 | 7. Push the primer three times to prime the engine.                    |
| 4. Engine switch On   | 8. Read the <i>Operator's Manual</i> before checking engine oil level. |



108-4930 (Model 38571 only)

1. Warning—read the *Operator's Manual*.
2. Cutting/dismemberment hazard, rotor blades—stop the engine before leaving the machine.
3. Thrown object hazard—keep bystanders a safe distance from the machine.
4. Read the *Operator's Manual* before checking engine oil level.
5. Engine switch On
6. Engine switch Off
7. Primer
8. Push the primer three times to prime the engine.
9. Plug the machine in to power the electric starter.



114-3794

1. Hot surface (on exhaust baffle)

# Setup

## Loose Parts

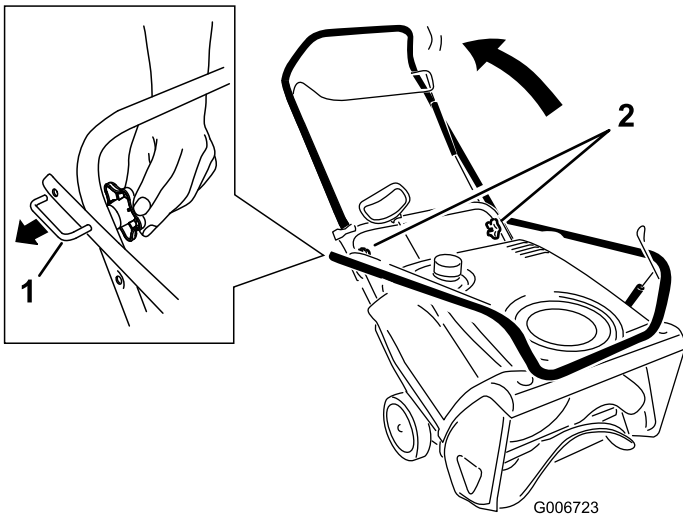
Use the chart below to verify that all parts have been shipped.

| Procedure | Description  | Qty.        | Use                          |
|-----------|--|-------------|------------------------------|
| <b>1.</b> | No parts required                                  | –           | Unfold the handle.           |
| <b>2.</b> | Screws<br>Chute assembly<br>Discharge chute handle | 3<br>1<br>1 | Install the discharge chute. |

## 1. Unfolding the Handle

### Procedure

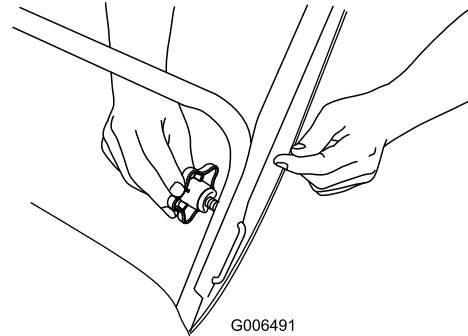
1. Loosen the handle knobs, pull out the “U”-shaped handle locks until you can move the handle freely, and rotate the handle to the operating position (Figure 3).



**Figure 3**

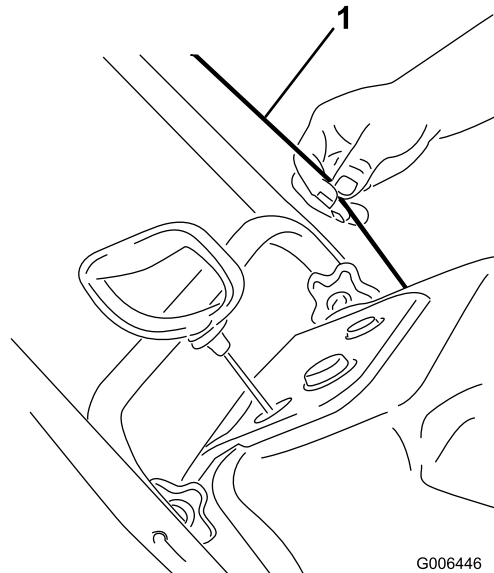
1. “U”-shaped handle lock (2) 2. Handle knobs

2. Insert the end of the “U”-shaped handle lock into the open hole in the handle and tighten the handle knobs until they are snug (Figure 4).



**Figure 4**

**Important:** Ensure that you do not pinch or kink the control cable (Figure 5).



**Figure 5**

1. Control cable

## 2. Installing the Discharge Chute

|   |                        |
|---|------------------------|
| 3 | Screws                 |
| 1 | Chute assembly         |
| 1 | Discharge chute handle |

### Procedure

Install the discharge chute as shown (Figure 6).

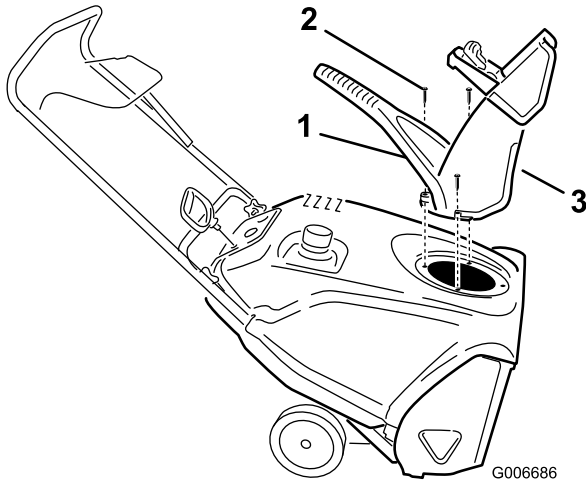


Figure 6

1. Discharge chute handle
2. Screw (3)
3. Discharge chute

**Note:** For easier installation, use a small ratchet wrench to tighten the screws.

**Important:** Do not overtighten the screws; otherwise you may damage the discharge chute and prevent it from turning freely.

## 3. Filling the Engine with Oil

### Procedure

Your snowthrower does not come with oil in the engine, but it does come with a bottle of oil.

**Important:** Before starting the engine, fill the engine with oil.

**Note:** The bottle of oil may contain more than is required. Do not overfill the engine.

Max fill: 21 oz. (0.62 l), type: automotive detergent oil with an API service classification of SJ, SL, or higher.

- For temperatures above 32°F (0°C), use SAE 30.

- For temperatures between 0°F and 32°F (-18°C and 0°C), use SAE 5W30 or SAE 10.
- For temperatures below 0°F (-18°C), use SAE 0W30.

1. Move the snowthrower to a level surface.
2. Clean around the oil fill cap (Figure 7).

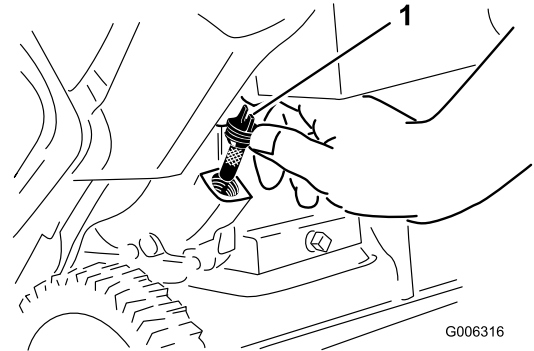


Figure 7

1. Oil fill cap

3. Unscrew the oil fill cap and remove it.
4. With the snowthrower in the operating position, **carefully** pour oil into the crankcase until the point of overflow.
5. Screw the oil fill cap into the oil fill hole and tighten it securely.

## 4. Adjusting the Control Cable

### Procedure

Refer to Adjusting the Control Cable in Maintenance.

# Product Overview

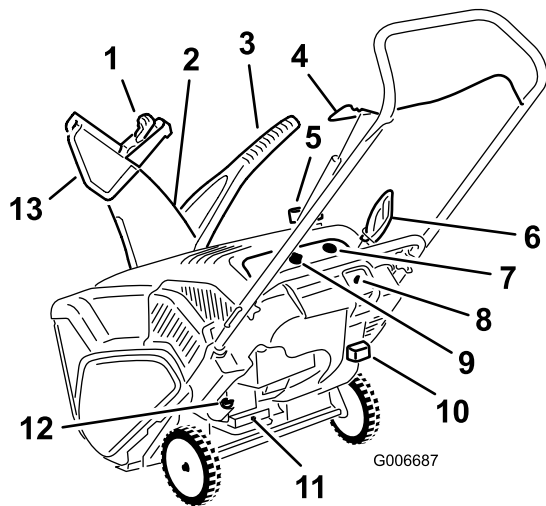


Figure 8

- |                            |   |
|----------------------------|---|
| 1. Chute deflector trigger | 8. Electric-start button (model 38571 only) |
| 2. Discharge chute         | 9. Ignition key                             |
| 3. Discharge chute handle  | 10. Choke lever                             |
| 4. Control bar             | 11. Oil drain plug                          |
| 5. Fuel tank cap           | 12. Oil fill cap                            |
| 6. Recoil start handle     | 13. Chute deflector                         |
| 7. Primer                  |   |

# Operation

**Note:** Determine the left and right sides of the machine from the normal operating position.



**Gasoline is extremely flammable and explosive. A fire or explosion from gasoline can burn you and others.**

- To prevent a static charge from igniting the gasoline, place the container and/or snowthrower on the ground before filling, not in a vehicle or on an object.
- Fill the tank outdoors when the engine is cold. Wipe up spills.
- Do not handle gasoline when smoking or around an open flame or sparks.
- Store gasoline in an approved fuel container, out of the reach of children.

# Filling the Fuel Tank

Fill the fuel tank with fresh unleaded gasoline (Figure 9).

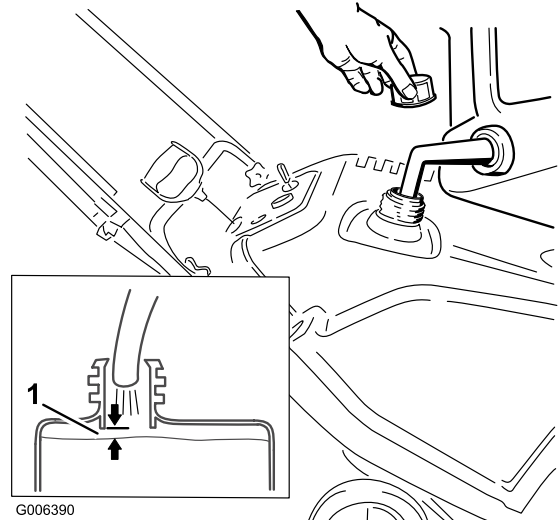


Figure 9

1. 1/4 inch (6 mm)

**Important:** Do not use E85 or E20 fuel. Alternative fuels with high alcohol content can cause hard starting, poor engine performance, and may cause internal engine damage.

# Checking the Engine Oil Level

**Service Interval:** Before each use or daily—Check the engine oil level and add oil if necessary.

1. Move the snowthrower to a level surface.
2. Clean around the oil fill cap (Figure 10).

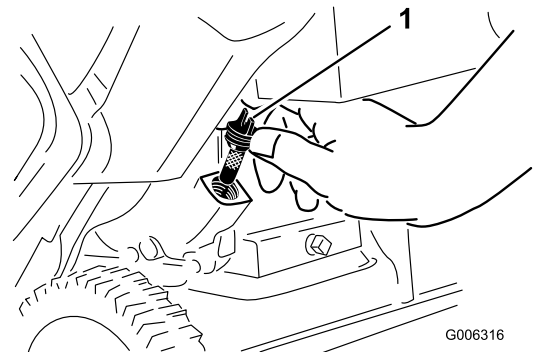


Figure 10

1. Oil fill cap

3. Unscrew the oil fill cap and remove it.
4. If the oil level is low, keep the snowthrower in the operating position and **carefully** pour oil into the crankcase until the point of overflow. (Max. fill: 21

oz. (0.62 l), type: SAE 30 detergent oil with an API service classification of SJ, SL, or higher.)

5. Screw the oil fill cap into the oil fill hole and tighten it securely.

## Starting the Engine

1. Turn the ignition key clockwise to the On position (Figure 11).

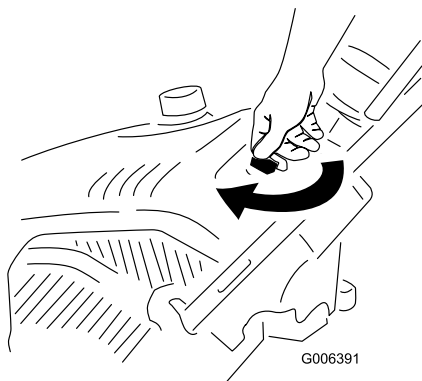


Figure 11

2. Pull out the choke lever (Figure 12).

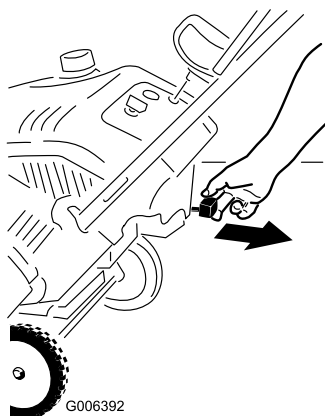


Figure 12

1. Choke lever

3. Firmly push in the primer 3 times with your thumb, holding the primer in a for a second before releasing it each time (Figure 13).

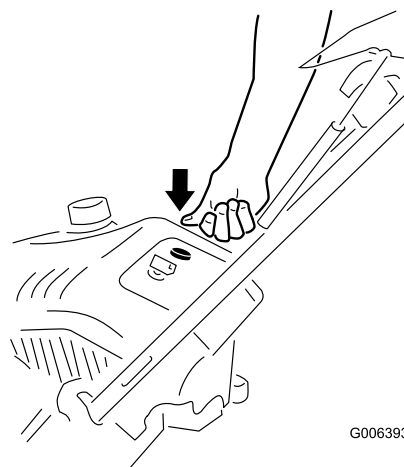


Figure 13

**Note:** Remove your glove when you push in the primer so that air cannot escape from the primer hole.

**Important:** Do not use the primer or the choke if the engine has been running and is hot. Excessive priming may flood the engine and prevent it from starting.

4. Connect an extension cord to a power source and the snowthrower, and push the electric-start button (model 38571 only) (Figure 14), or pull the recoil start handle (Figure 15).

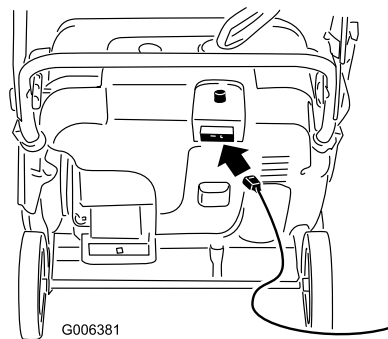
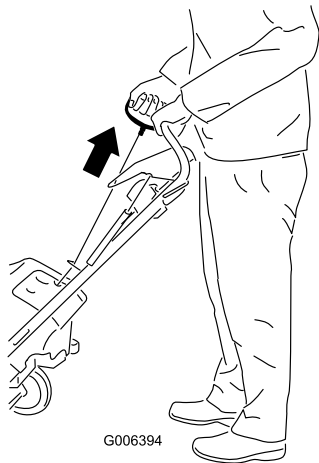


Figure 14



**Figure 15**

**Important:** Run the electric starter no more than 10 times at intervals of 5 seconds on, then 5 seconds off. Running the electric starter extensively can overheat and damage it. If the engine does not start after this series of attempts, wait at least 40 minutes to allow the starter to cool before attempting to start it again. If the engine does not start after the second series of attempts, take the snowthrower to an Authorized Service Dealer for service (model 38571 only).

5. While the engine is running, push in the choke lever slowly.
6. Unplug the extension cord from the power source and the snowthrower (model 38571 only).

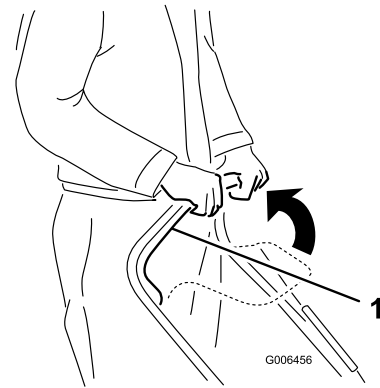


If you leave the snowthrower plugged into a power outlet, someone can inadvertently start the snowthrower and injure people or damage property (model 38571 only).

Unplug the power cord whenever you are not starting the snowthrower.

## Engaging the Rotor Blades

To engage the rotor blades, hold the control bar against the handle (Figure 16).



**Figure 16**

1. Control bar

## Disengaging the Rotor Blades

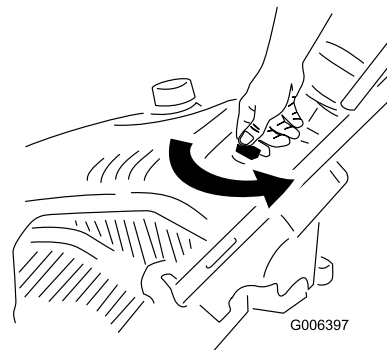
To disengage the rotor blades, release the control bar (Figure 17).



**Figure 17**

## Stopping the Engine

To stop the engine, turn the ignition key counterclockwise to the Off position (Figure 18).



**Figure 18**

## Adjusting the Discharge Chute and Chute Deflector

To adjust the discharge chute, move the chute handle as shown (Figure 19).

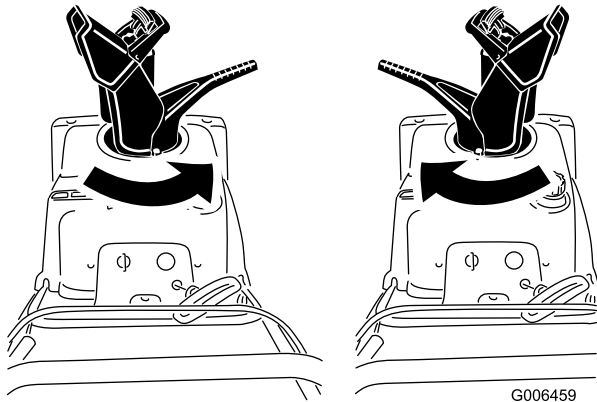


Figure 19

To raise or lower the angle of the chute deflector, press the trigger on the chute deflector and move the chute deflector up or down (Figure 20).

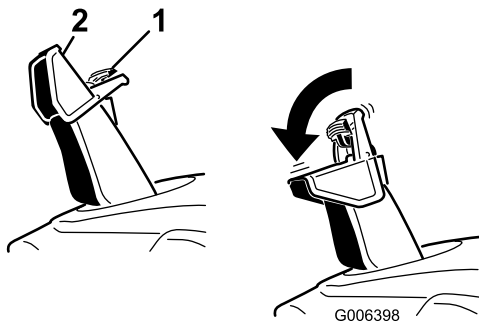


Figure 20

1. Chute deflector trigger
2. Chute deflector

## Preventing Freeze-up after Use

- Let the engine run for a few minutes to prevent moving parts from freezing. Stop the engine, wait for all moving parts to stop, and remove ice and snow from the snowthrower.
- Clean off any snow and ice from the base of the chute.
- Rotate the discharge chute left and right to free it from any ice buildup.
- With the ignition key in the Off position, pull the recoil starter handle several times or push the electric start button once (model 38571 only) to prevent the recoil and electric starters from freezing up.
- In snowy and cold conditions, some controls and moving parts may freeze. Do not use excessive force when trying to operate frozen controls. If you have difficulty operating any control or part, start the engine and let it run for a few minutes.

## Operating Tips



The rotor blades can throw stones, toys, and other foreign objects and cause serious personal injury to the operator or to bystanders.

- Keep the area to be cleared free of all objects that the rotor blades could pick up and throw.
  - Keep all children and pets away from the area of operation.
- Remove the snow as soon as possible after it falls.
  - If the snowthrower does not propel itself forward on slippery surfaces or in heavy snow, push forward on the handle, but allow the snowthrower to work at its own pace.
  - Overlap each swath to ensure complete snow removal.
  - Discharge the snow downwind whenever possible.

# Maintenance

**Note:** Determine the left and right sides of the machine from the normal operating position.

## Recommended Maintenance Schedule(s)

| Maintenance Service Interval | Maintenance Procedure  |
|------------------------------|--|
| After the first hour         | <ul style="list-style-type: none"> <li>• Check the control cable and adjust it if necessary.</li> <li>• Check for loose fasteners and tighten them if necessary.</li> </ul>  |
| After the first 2 hours      | <ul style="list-style-type: none"> <li>• Change the engine oil.</li> </ul>   |
| Before each use or daily     | <ul style="list-style-type: none"> <li>• Check the engine oil level and add oil if necessary.</li> </ul>   |
| Yearly                       | <ul style="list-style-type: none"> <li>• Check the control cable and adjust it if necessary.</li> <li>• Inspect the rotor blades and have an Authorized Service Dealer replace the rotor blades and scraper if necessary.</li> <li>• Change the engine oil.</li> <li>• Service the spark plug and replace it if necessary.</li> <li>• Check for loose fasteners and tighten them if necessary.</li> <li>• Have an Authorized Service Dealer inspect the drive belt and replace it if necessary.</li> </ul> |
| Yearly or before storage     | <ul style="list-style-type: none"> <li>• Prepare the snowthrower for storage.</li> </ul>   |

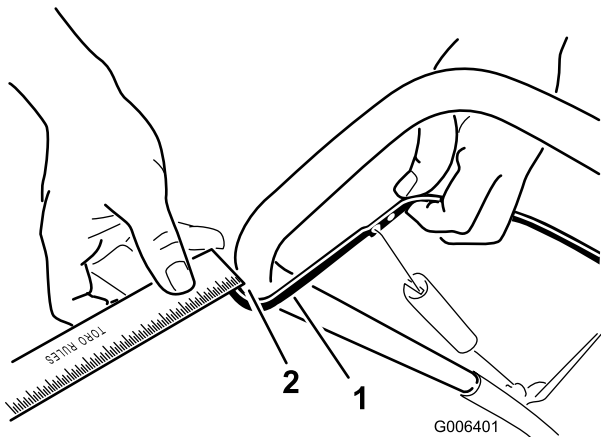
## Adjusting the Control Cable

### Checking the Control Cable

**Service Interval:** After the first hour—Check the control cable and adjust it if necessary.

Yearly—Check the control cable and adjust it if necessary.

Move the control bar back toward the handle to remove the slack in the control cable (Figure 21).



**Figure 21**

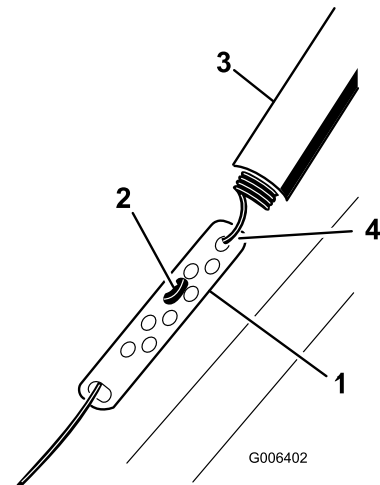
1. Control bar
2. 1/16-inch to 1/8-inch (2 mm to 3 mm) gap

**Note:** Ensure that a 1/16-inch to 1/8-inch (2 mm to 3 mm) gap exists between the control bar and the handle (Figure 21).

**Important:** The control cable must contain some slack when you disengage the control bar for the rotor blades to stop properly.

### Adjusting the Control Cable

1. Slide up the spring cover and unhook the spring from the adjuster link (Figure 22).



**Figure 22**

1. Adjuster link
2. Z-fitting
3. Spring cover
4. Unhook the spring here.

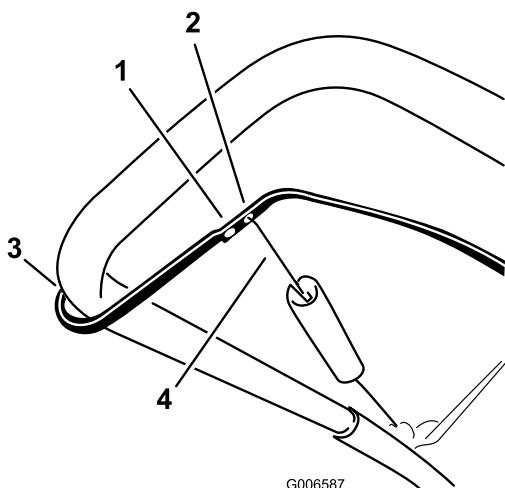
**Note:** You can pull up the adjuster link and cable to make unhooking the spring easier.

2. Move the Z-fitting to a higher or lower hole on the adjuster link as needed to obtain the 1/16-inch to 1/8-inch (2 mm to 3 mm) gap between the control bar and the handle (Figure 21).

**Note:** Moving the Z-fitting higher decreases the gap between the control bar and the handle; moving it lower increases the gap.

3. Hook the spring to the adjuster link and slide the spring cover over the adjuster link.
4. Check the adjustment; refer to Checking the Control Cable.

**Note:** After extended use, the drive belt may wear and lose its proper belt tension. If the drive belt slips (continuously squeals) under a heavy load, disconnect the spring from the adjuster link and move the upper end of the spring to the hole that is further from the pivot point in the control bar (Figure 23). Then connect the spring to the adjuster link and adjust the control cable.



**Figure 23**

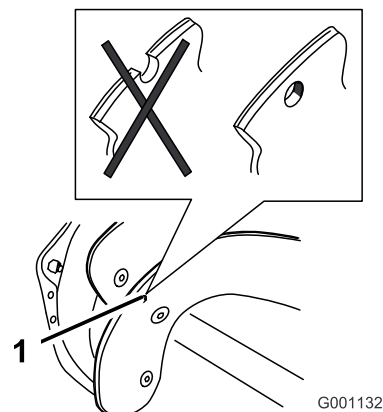
1. Remove the upper end of spring from this hole
2. Insert the upper end of spring into this hole
3. Pivot point
4. Upper end of spring

**Note:** The belt may slip (squeal) in wet conditions; to dry out the drive system, start the rotor and run it without a load for 30 seconds.

## Inspecting the Rotor Blades

**Service Interval:** Yearly—Inspect the rotor blades and have an Authorized Service Dealer replace the rotor blades and scraper if necessary.

Before each session, inspect the rotor blades for wear. When a rotor blade edge has worn down to the wear indicator hole, have an Authorized Service Dealer replace the rotor blades and the scraper (Figure 24).



**Figure 24**

1. Wear indicator hole

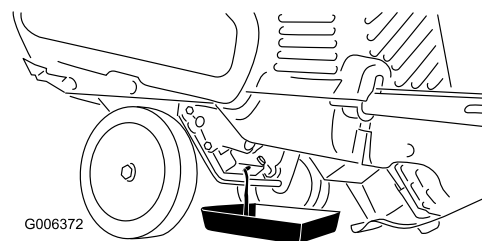
## Changing the Engine Oil

**Service Interval:** After the first 2 hours

Yearly

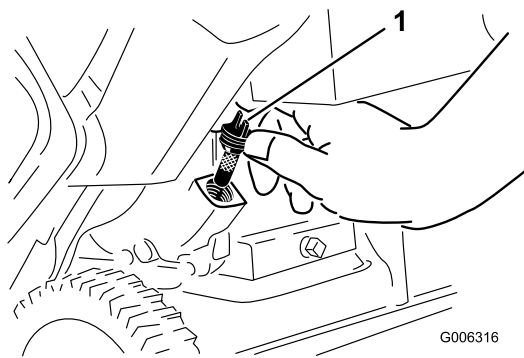
Run the engine a few minutes before changing the oil to warm it. Warm oil flows better and carries more contaminants.

1. Stop the engine and wait for all moving parts to stop.
2. Move the snowthrower to a level surface.
3. Place an oil drain pan under the oil drain plug, remove the oil drain plug, and tip the snowthrower backward and drain the used oil in the oil drain pan (Figure 25).



**Figure 25**

4. After draining the used oil, return the snowthrower to the operating position.
5. Install the oil drain plug and tighten it securely.
6. Clean around the oil fill cap (Figure 26).



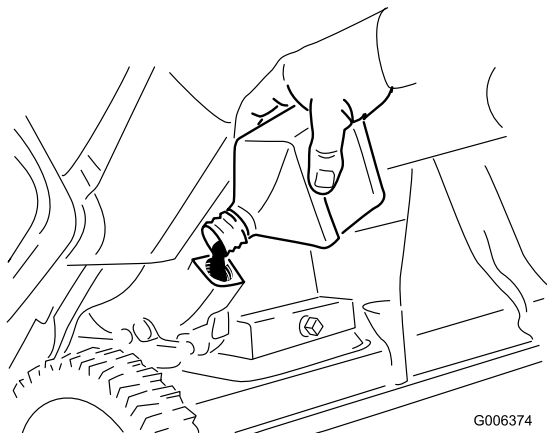
**Figure 26**

1. Oil fill cap

7. Unscrew the oil fill cap and remove it (Figure 26).
8. With the snowthrower in the operating position, **carefully** pour oil into the oil fill hole to the point of overflow (Figure 27).

Max fill: 21 oz. (0.62 l), type: automotive detergent oil with an API service classification of SJ, SL, or higher.

- For temperatures above 32°F (0°C), use SAE 30.
- For temperatures between 0°F and 32°F (-18°C and 0°C), use SAE 5W30 or SAE 10.
- For temperatures below 0°F (-18°C), use SAE 0W30.



**Figure 27**

9. Screw the oil fill cap into the oil fill hole, and tighten it securely.
10. Wipe up any spilled oil.
11. Dispose of the used oil properly at a local recycling center.

## Servicing the Spark Plug

**Service Interval:** Yearly—Service the spark plug and replace it if necessary.

Use a **Champion RN4C** spark plug or equivalent.

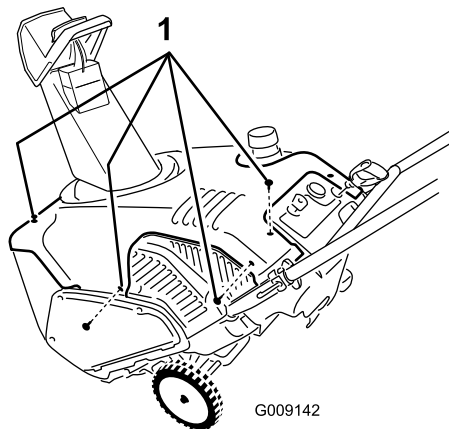
1. Stop the engine and wait for all moving parts to stop.
2. Wait until the engine has fully cooled.



**After the engine has been running, the muffler and other engine components will be very hot and will severely burn you if you touch them.**

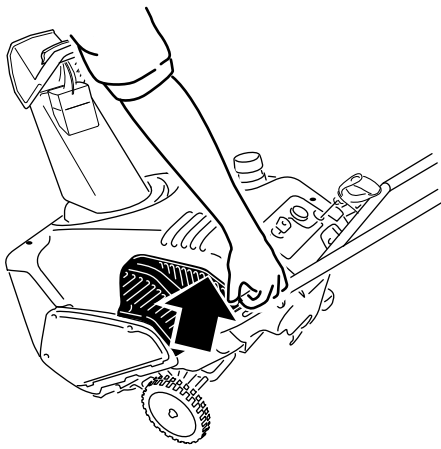
**This procedure requires you to remove the exhaust baffle from over the muffler and to place your hand close to the muffler and engine. Allow the engine to fully cool before starting this procedure.**

3. Remove and save the fasteners that secure the shroud as shown (Figure 28).



**Figure 28**

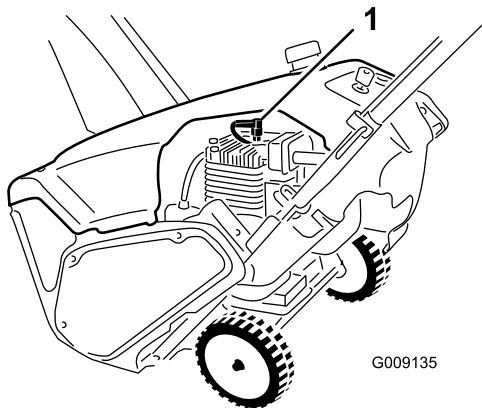
1. Remove these 4 fasteners
- 
4. Lift up on the left rear corner of the shroud and pull the exhaust baffle down and out of the engine compartment (Figure 29).



**Figure 29**

1. Exhaust baffle

5. Disconnect the wire from the spark plug (Figure 30).



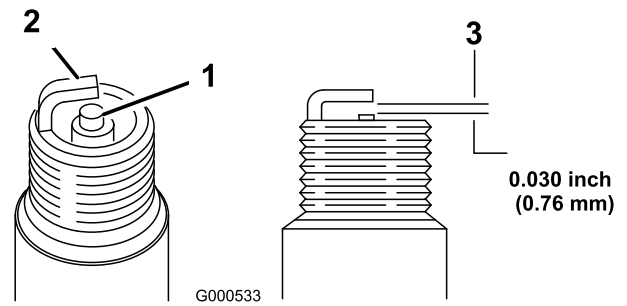
**Figure 30**

1. Spark-plug wire

6. Clean around the spark plug.
7. Remove the spark plug from the cylinder head.

**Important:** Replace a cracked, fouled, or dirty spark plug. Do not clean the electrodes because grit entering the cylinder can damage the engine.

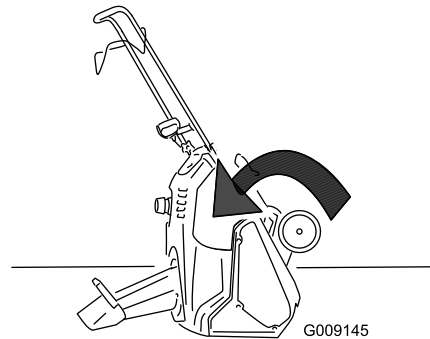
8. Set the gap on the plug to 0.030 inch (0.76 mm) (Figure 31).



**Figure 31**

1. Center electrode insulator
2. Side electrode
3. Air gap (not to scale)

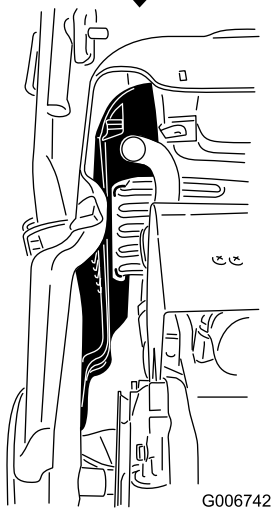
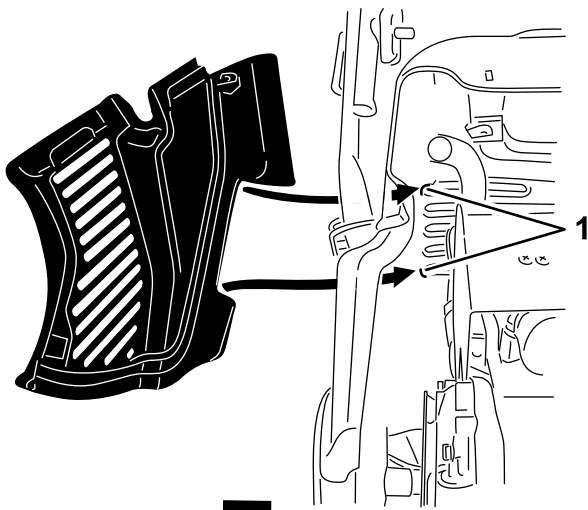
9. Install the spark plug and tighten the plug securely.
10. Connect the wire to the spark plug.
11. Tip the snowthrower forward onto its front to make installing the exhaust baffle easier (Figure 32).



**Figure 32**

12. From the rear left position, insert the exhaust baffle up into the shroud.

**Note:** Ensure that the upper lip of the exhaust baffle fits into the tabs on the inside of the shroud (Figure 33).



**Figure 33**

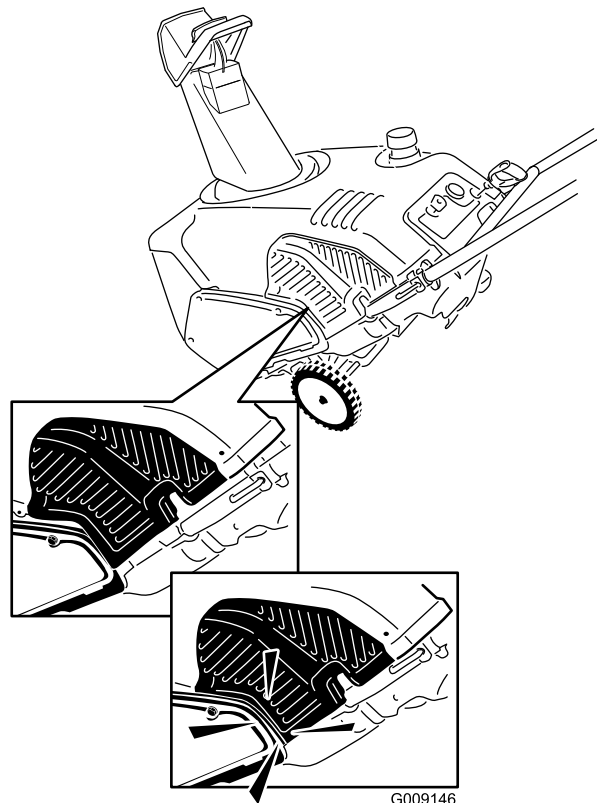
1. Tabs

---

13. Install the 2 screws into the exhaust baffle.

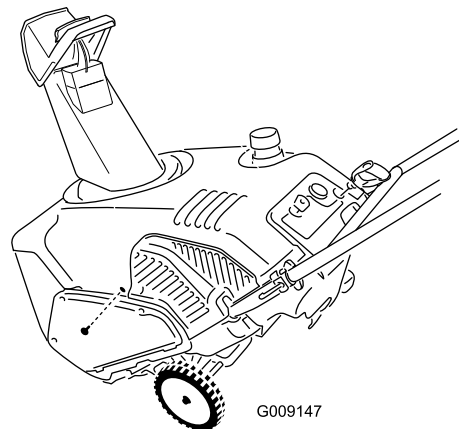
14. Return the snowthrower to the operating position.

15. Tuck the lower lip of the guard behind the belt cover (Figure 34).



**Figure 34**

16. Secure the exhaust baffle using the small side screw that you previously removed (Figure 35).



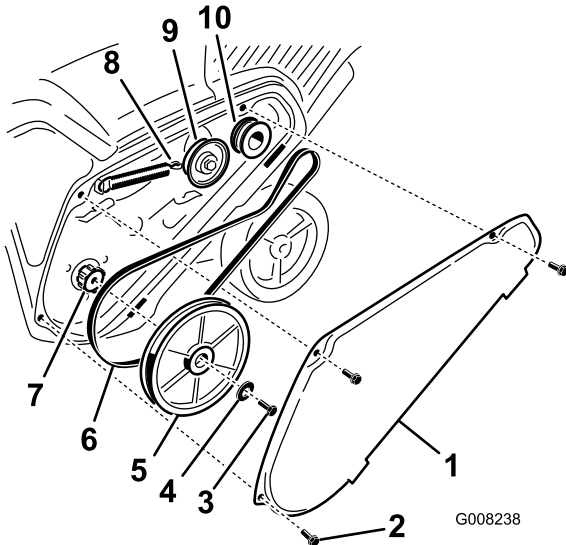
**Figure 35**

1. Small side screw here
-

# Replacing the Drive Belt

If drive belt becomes worn, oil-soaked, excessively cracked, frayed, or otherwise damaged, replace the belt.

1. Remove the drive belt cover by removing the 3 bolts as shown in Figure Figure 36.



**Figure 36**

- |                      |  |
|----------------------|--|
| 1. Drive belt cover  | 6. Drive belt                                |
| 2. Bolt (3)          | 7. Rotor shaft                               |
| 3. Rotor pulley bolt | 8. Brake spring (unhook from idler arm here) |
| 4. Curved washer     | 9. Idler pulley                              |
| 5. Rotor pulley      | 10. Engine pulley                            |

**Note:** Route the new drive belt first around the engine pulley, then the idler pulley, and finally around the loose rotor pulley positioned just above the rotor shaft (Figure 36).

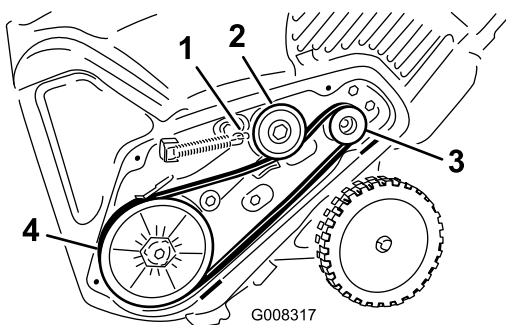
6. Install the rotor pulley onto the rotor shaft (Figure 36).
7. Install the curved washer and the rotor pulley bolt and tighten them securely (Figure 36).

**Note:** The concave side of the curved washer goes against the outside of the pulley.

8. Install the brake spring onto the idler arm (Figure 37).
9. Install the drive belt cover with the bolts you removed in step 1.

**Note:** Ensure that the drive belt is properly adjusted and operating; refer to Checking the Control Cable and Adjusting the Control Cable.

2. Unhook the brake spring from the idler arm to release the belt tension (Figure 36).
3. Remove the screw and curved washer that holds the rotor pulley (Figure 36).
4. Remove the rotor pulley and the drive belt (Figure 36).
5. Install the new drive belt, routing it as shown in (Figure 37).



**Figure 37**

- |   |                  |
|---|------------------|
| 1. Brake spring (install on idler arm here) | 3. Engine pulley |
| 2. Idler pulley                             | 4. Rotor pulley  |

# Storage

## Storing the Snowthrower



- Gasoline fumes are highly flammable, explosive, and dangerous if inhaled. If you store the product in an area with an open flame, the gasoline fumes may ignite and cause an explosion.
- Do not store the snowthrower in a house (living area), basement, or any other area where ignition sources may be present, such as hot water and space heaters, clothes dryers, furnaces, and other like appliances.

1. On the last refueling of the year, add fuel stabilizer to fresh fuel as directed by the engine manufacturer.
2. Run the engine for 10 minutes to distribute the conditioned fuel through the fuel system.
3. Stop the engine, allow it to cool, and siphon the fuel tank or run the engine until it stops.
4. Start the engine and run it until it stops.
5. Choke or prime the engine, start it a third time, and run the engine until it will not start.
6. Dispose of unused fuel properly. Recycle it according to local codes, or use it in your automobile.  
**Note:** Do not store stabilized gasoline for more than 90 days.
7. While the engine is still warm, change the engine oil. Refer to Changing the Engine Oil.
8. Remove the spark plug.
9. Squirt 2 teaspoons of oil into the spark plug hole.
10. Install the spark plug by hand and then tighten it securely. If you do not have a torque wrench, tighten the plug firmly.
11. With the ignition key in the Off position, pull the recoil starter slowly to distribute the oil on the inside of the cylinder.
12. Clean the snowthrower.
13. Touch up chipped surfaces with paint available from an Authorized Service Dealer. Sand affected areas before painting, and use a rust preventative to prevent the metal parts from rusting.

14. Tighten any loose fasteners. Repair or replace any damaged parts.
15. Cover the snowthrower and store it in a clean, dry place out of the reach of children. Allow the engine to cool before storing it in any enclosure.

**Notes:**

## International Distributor List

| <b>Distributor:</b>                 | <b>Country:</b>      | <b>Phone Number:</b> |
|-------------------------------------|----------------------|----------------------|
| Atlantis Su ve Sulama Sistemleri Lt | Turkey               | 90 216 344 86 74     |
| Balama Prima Engineering Equip      | Hong Kong            | 852 2155 2163        |
| B-Ray Corporation                   | Korea                | 82 32 551 2076       |
| Casco Sales Company                 | Puerto Rico          | 787 788 8383         |
| Ceres S.A                           | Costa Rica           | 506 239 1138         |
| CSSC Turf Equipment (pvt) Ltd       | Sri Lanka            | 94 11 2746100        |
| Cyril Johnston & Co                 | Northern Ireland     | 44 2890 813 121      |
| Equivier                            | Mexico               | 52 55 539 95444      |
| Femco S.A.                          | Guatemala            | 502 442 3277         |
| G.Y.K. Company ltd.                 | Japan                | 81 726 325 861       |
| Geomechaniki of Athens              | Greece               | 30 10 935 0054       |
| Guandong Golden Star                | China                | 86 20 876 51338      |
| Hako Gorund and Garden              | Sweden               | 46 35 10 0000        |
| Hayter Limited (U.K.)               | United Kingdom       | 44 1279 723 444      |
| Hydroturf Int. Co Dubai             | United Arab Emirates | 97 14 347 9479       |
| Hydroturf Egypt LLC                 | Egypt                | 202 519 4308         |
| Ibea S.p.A.                         | Italy                | 39 0331 853611       |
| Irriamc                             | Portugal             | 351 21 238 8260      |
| Jean Heybroek b.v.                  | Netherlands          | 31 30 639 4611       |
| Lely (U.K.) Limited                 | United Kingdom       | 44 1480 226 800      |
| Maquiver S.A.                       | Colombia             | 57 1 236 4079        |
| Maruyama Mfg. Co. Inc.              | Japan                | 81 3 3252 2285       |
| Metra Kft                           | Hungary              | 36 1 326 3880        |
| Mountfield a.s.                     | Czech Republic       | 420 255 704 220      |
| Munditol S.A.                       | Argentina            | 54 11 4 821 9999     |
| Oslinger Turf Equipment SA          | Ecuador              | 593 4 239 6970       |
| Oy Hako Ground and Garden Ab        | Finland              | 358 987 00733        |
| Parkland Products Ltd               | New Zealand          | 64 3 34 93760        |
| Prochaska & Cie                     | Austria              | 43 1 278 5100        |
| RT Cohen 2004 Ltd                   | Israel               | 972 986 17979        |
| Riversa                             | Spain                | 34 9 52 83 7500      |
| Roth Motorgerate GmBh & Co          | Germany              | 49 7144 2050         |
| Sc Svend Carlsen A/S                | Denmark              | 45 66 109 200        |
| Solvart S.A.S                       | France               | 33 1 30 81 77 00     |
| Spypros Stavrinides Limited         | Cyprus               | 357 22 434131        |
| Surge Systems India Limited         | India                | 91 1 292299901       |
| T-Markt Logistics Ltd               | Hungary              | 36 26 525 500        |
| Toro Australia                      | Australia            | 61 3 9580 7355       |
| Toro Europe BVBA                    | Belgium              | 32 14 562 960        |



# The Toro Warranty

## Conditions and Products Covered

The Toro® Company and its affiliate, Toro Warranty Company, pursuant to an agreement between them, jointly promises to the original purchaser\* to repair any Toro Product used for normal residential purposes\* if defective in materials or workmanship. The following time periods apply from the date of original purchase:

| Products                    | Warranty Period         |
|-----------------------------|-------------------------|
| Walk Power Mowers           | 2-year limited warranty |
| Rear Engine Riders          | 2-year limited warranty |
| Lawn & Garden Tractors      | 2-year limited warranty |
| Electric Hand Held Products | 2-year limited warranty |
| Snowthrowers                | 2-year limited warranty |
| Consumer Zero Turn          | 2-year limited warranty |

\* "Original purchaser" means use the person who originally purchased Toro products.

\* "Normal residential purposes" means use of the product on the same lot as your home. Use at more than one location is considered commercial use, and the commercial use warranty would apply.

## Limited Warranty for Commercial Use

Toro Consumer Products and attachments used for commercial, institutional, or rental use are warranted against defects in materials or workmanship for the following time periods from the date of original purchase:

| Products                    | Warranty Period |
|-----------------------------|-----------------|
| Walk Power Mowers           | 90 day warranty |
| Rear Engine Riders          | 90 day warranty |
| Lawn & Garden Tractors      | 90 day warranty |
| Electric Hand Held Products | 90 day warranty |
| Snowthrowers                | 90 day warranty |
| Consumer Zero Turn          | 45 day warranty |

## Instructions for Obtaining Warranty Service

If you think that your Toro Product contains a defect in materials or workmanship, follow this procedure:

1. Contact your seller to arrange service of the product. If for any reason it is impossible for you to contact your seller, you may contact any Toro Authorized Distributor to arrange service.
2. Bring the product and your proof of purchase (sales receipt) to your seller or the Service Dealer.

If for any reason you are dissatisfied with the Service Dealer's analysis or with the assistance provided, contact the Toro importer or contact us at:

Customer Care Department, Consumer Division  
Toro Warranty Company  
8111 Lyndale Avenue South  
Bloomington, MN 55420-1196  
Manager: Technical Product Support: 001-952-887-8248

See attached Distributor List

## Owner Responsibilities

You must maintain your Toro Product by following the maintenance procedures described in the operator's manual. Such routine maintenance, whether performed by a dealer or by you, is at your expense.

## Items and Conditions Not Covered

This express warranty does not cover:

- Cost of regular maintenance service or parts, such as filters, fuel, lubricants, tune-up parts, blade sharpening, brake and clutch adjustments.
- Any product or part which has been altered or misused or required replacement or repair due to normal wear, accidents, or lack of proper maintenance.
- Repairs necessary due to improper fuel, contaminants in the fuel system, or failure to properly prepare the fuel system prior to any period of non-use over three months.
- Engine and transmission. These are covered by the appropriate manufacturer's guarantees with separate terms and conditions.

All repairs covered by this warranty must be performed by an Authorized Toro Service Dealer using Toro approved replacement parts.

## General Conditions

The purchaser is covered by the national laws of each country. The rights to which the purchaser is entitled with the support of these laws are not restricted by this warranty.