



1338XL LAWN TRACTOR

Model No. 71185 – 7900001 & Up
Model No. 71205 – 7900001 & Up

Parts Catalog

ORDERING REPLACEMENT PARTS

To order replacement parts, please supply: the part number, the quantity, and the description of each part desired.

Contents

| Description | Page | Description | Page |
|--|------|--|-------|
| Frame Assembly | 1 | Suspension Assembly (38" Cutting Unit) | 13 |
| Hood Assembly | 2 | Height of Cut Assembly | 14 |
| Seat Assembly | 3 | Electrical Assembly | 15 |
| Front Axle Assembly | 4 | Electrical Schematic | 16 |
| Steering Assembly | 5 | Engine Assembly | 17 |
| Gas Tank & Engine Pulley Assembly | 6 | Engine Briggs & Stratton | |
| Clutch Assembly | 7 | 28M707-0127-01 | 18-26 |
| Shift Assembly | 8 | Peerless Transaxle Model MST 205-509 ... | 27-28 |
| Transaxle Assembly | 9 | Partdex | 29-36 |
| Deck Assembly (38" Cutting Unit) | 10 | Maintenance | 37 |
| Deck Assembly (38" Cutting Unit) (Continued) | 11 | | |
| Pulley & Belt Assembly (38" Cutting Unit) | 12 | Note: | |

Accessories

| Description | Model / Parts No. | Description | Model / Parts No. |
|--|---------------------------------------|--|-------------------|
| Easy Empty Bagger Kit | Model No. 79116 or Model No. 79117 | Tire Chains | Part No. 11-0430 |
| Twin Bagger | Model No. 79101 or Model No. 79103 | Headlight Kit (Std. Both Models) | Model No. 79180 |
| Recycler Kit (Std. Both Models) | Model No. 79170 | 42 (106.7cm) Snowblade Kit | Model No. 79150 |
| Hi-Sail Bagging Blade | Part No. 57-4700 | Wheel Weight Kit | Model No. 59159 |
| | | Anti-Scalp Kit (Std. Model No. 71205) | Model No. 79182 |

Part Description Abbreviations

Part descriptions in this catalog may include the following abbreviations.

| Abbreviation | Meaning | Abbreviation | Meaning |
|--------------|-----------------------|--------------|-----------------------------------|
| AR | as required | HS | hex socket |
| ASM | assembly | HSBH | hex socket button head |
| CARR | carriage | HSFH | hex socket flat head |
| DEG | degrees | HSH | hex socket head |
| FH | flat head | HWH | hex washer head |
| GA | gauge | HWHTF | hex washer head thread forming |
| HF | hex flange | INC | incorporated |
| HFV | hex flange washer | LH | left hand |
| HH | hex head | PH | pan head |
| HHF | hex head flange | PPH | Phillips pan head |
| HHST | hex head self tapping | PTO | power take off |
| HJ | hex jam | RH | right hand |
| HOC | height-of-cut | | |

| | | | |
|------------|-------------------------|-----------|-----------------|
| SFH | slotted fillister head | TAP | self tapping |
| SH | square head | TH | truss head |
| SHWH | slotted hex washer head | TTH | Torx truss head |
| SPH | slotted pan head | WH | wing head |
| STD | standard | | |

Important Format Explanations

This catalog uses special formats to convey information in illustrations and parts lists. Specifically, one format is used in conjunction with service assemblies and another with quantities associated with reference numbers.

Service Assemblies

Parts within service assemblies have reference numbers in the form *X:Y*. *X* is the reference number of the service assembly and *Y* is a sequential number unique to each part within the service assembly.

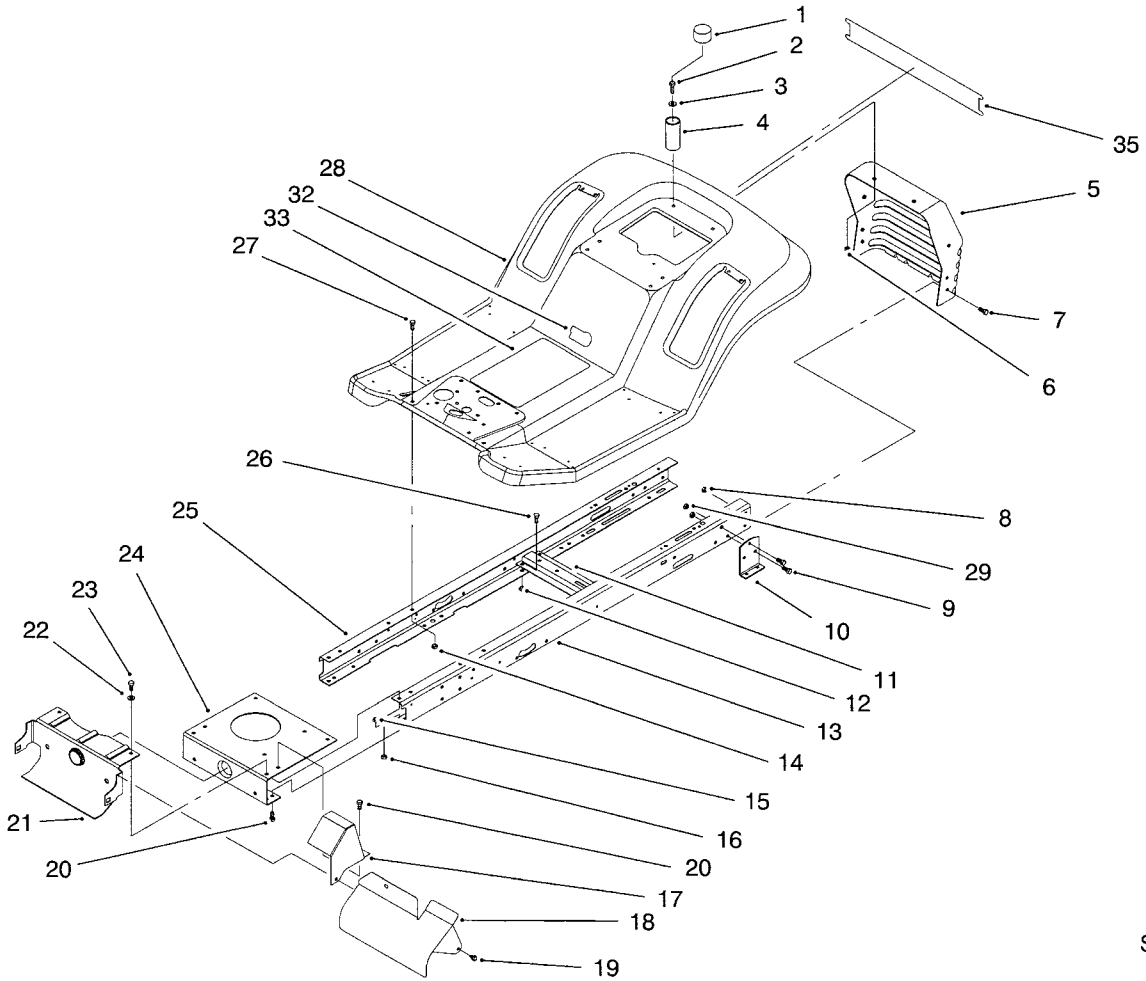
For example, a wheel assembly might be identified by reference number 6, the tire by 6:1, the valve by 6:2, and the wheel by 6:3. When you order the assembly identified by reference number 6, you receive all parts identified by reference numbers 6:1, 6:2, and 6:3. However, you may also order any part individually.

Reference numbers of this type appear in part lists and as callouts in illustrations.

Reference Numbers with Quantities

Illustrations may have a quantity in parentheses next to a reference number, in the form *X (Y)*. *X* is the reference number. *Y* in parentheses is the quantity of the part identified by the reference number.

For example, the illustration callout 4 (2) indicates that two parts are used in that instance.

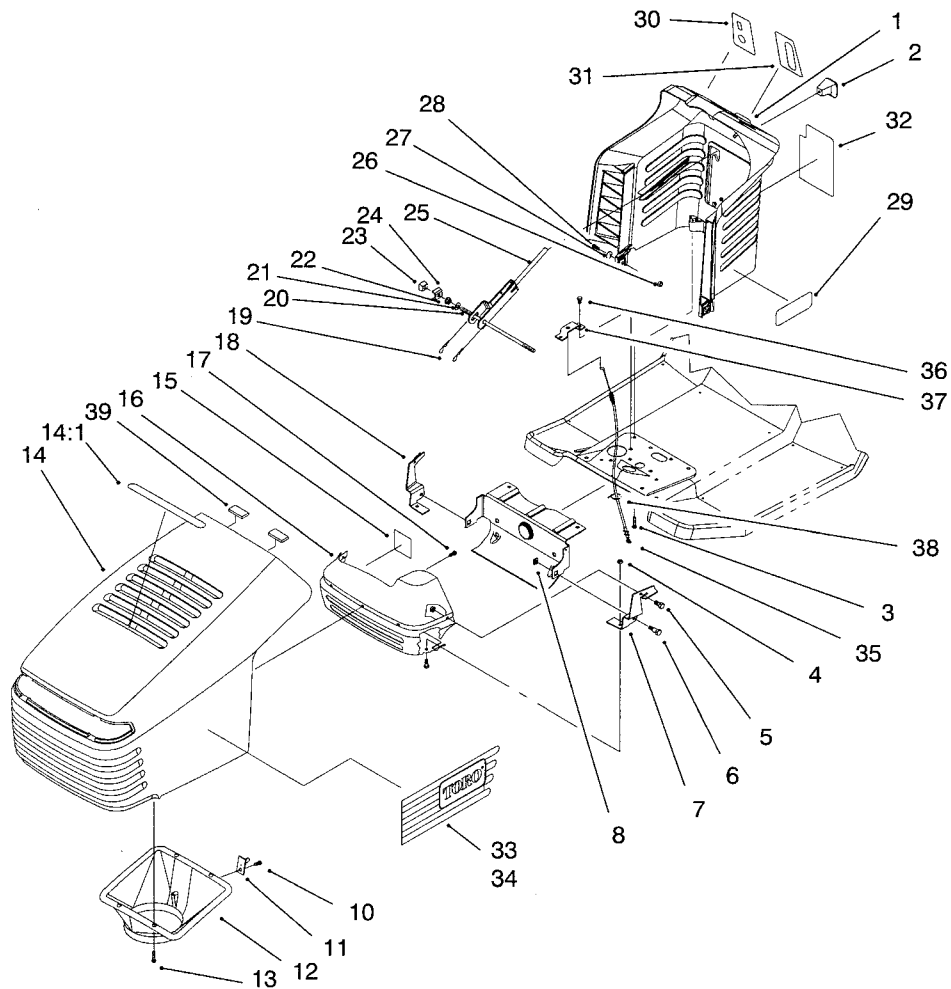


Sheet No.:2

Frame Assembly

| Ref. No. | Part No. | Qty. | Description |
|----------|------------|------|----------------------------|
| 1 | 701178 | 2 | Cap-Protector |
| 2 | 322-5 | 2 | Screw-HH |
| 3 | 3256-23 | 2 | Washer-Flat |
| 4 | 88-6220 | 2 | Spring - Compression |
| 5 | 88-3940-03 | 1 | Panel - Rear |
| 6 | 3296-29 | 2 | Nut-Lock |
| 7 | 322-3 | 4 | Screw-HH |
| 8 | 3296-29 | 4 | Nut-Lock |
| 9 | 322-3 | 4 | Screw-HH |
| 10 | 88-5260-03 | 2 | Bracket-Transaxle Mounting |
| 11 | 88-4620-03 | 1 | Bracket - Idler Pivot |
| 12 | 3296-29 | 4 | Nut-Lock |
| 13 | 94-1999-03 | 1 | Frame Rail-LH |
| 14 | 3296-29 | 2 | Nut-Lock |
| 15 | 3296-29 | 6 | Nut-Lock |
| 16 | 3296-29 | 2 | Nut-Lock |
| 17 | 88-4960-03 | 1 | Shield - Exh. Pipe |
| 18 | 88-6290-03 | 1 | Shield - Muffler |
| 19 | 32104-76 | 1 | Screw-Self TAP |
| 20 | 322-3 | 6 | Screw-HH |
| 21 | 88-5120-03 | 1 | Support - Front Axle |
| 22 | 3256-23 | 2 | Washer-Flat |
| 23 | 322-3 | 2 | Screw-HH |
| 24 | 88-4630-03 | 1 | Plate - Engine Mounting |

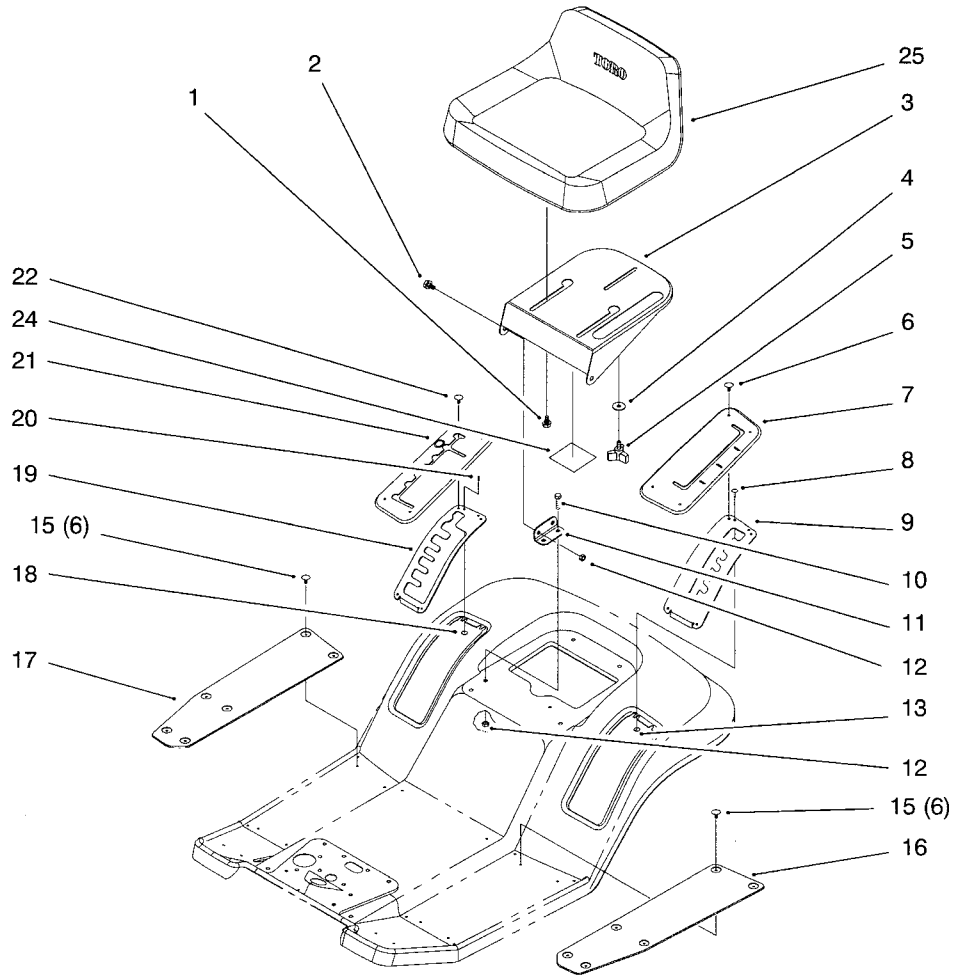
| Ref. No. | Part No. | Qty. | Description |
|----------|------------|------|------------------------------------|
| 25 | 94-1998-03 | 1 | Frame Rail-RH |
| 26 | 322-3 | 4 | Screw-HH |
| 27 | 322-3 | 2 | Screw-HH |
| 28 | 88-3840 | 1 | Body - Rear |
| 29 | 3296-29 | 4 | Nut-Lock |
| 32 | 76-1340 | 1 | Decal-USA (Only On: 71185) |
| 33 | 93-6675 | 1 | Decal-Instruct (Only On: 71205) |
| 33 | 94-1237 | 1 | Decal-Instruction (Only On: 71185) |
| 35 | 93-4144 | 1 | Decal-Rear Body |



Sheet No.:3

Hood Assembly

| Ref. No. | Part No. | Qty. | Description | Ref. No. | Part No. | Qty. | Description |
|----------|------------|------|-----------------------------|----------|----------|------|---|
| 1 | 93-0303 | 1 | Tower-Steering Toro | 26 | 3296-29 | 2 | Nut-Lock |
| 2 | 94-5565 | 1 | Knob - Control | 27 | 3256-23 | 2 | Washer-Flat |
| 3 | 46-8091 | 2 | Screw-Tapping | 28 | 322-3 | 2 | Screw-HH |
| 4 | 3296-42 | 4 | Nut-Lock | 29 | 93-4145 | 2 | Decal - Tower |
| 5 | 321-2 | 4 | Screw-HH | 30 | 92-2460 | 1 | Decal - Ignition/Lights (Only On: 71185) |
| 6 | 28-0540 | 2 | Bolt-Shoulder | 30 | 92-5731 | 1 | Decal-Ign/Lights (Only On: 71205) |
| 7 | 88-6050-03 | 1 | Bracket - Hinge | 31 | 92-2461 | 1 | Decal - Throttle (Only On: 71185) |
| 8 | 3290-496 | 2 | Nut - Retained | 31 | 92-5730 | 1 | Decal - Throttle (Only On: 71205) |
| 10 | 46-8091 | 1 | Screw-Tapping | 32 | 92-2462 | 1 | Decal - Deck Engage (Only On: 71185) |
| 11 | 94-1984 | 1 | Pin-Latch | 32 | 93-6673 | 1 | Decal - Deck Engage (Only On: 71205) |
| 12 | 88-4050 | 1 | Duct - Hood Air | 33 | 92-2468 | 1 | Decal - Hood Left |
| 13 | 46-8090 | 4 | Screw-Tapping | 34 | 92-2467 | 1 | Decal - Hood Right |
| 14 | 92-8650 | 1 | Hood-Toro | 35 | 94-4293 | 1 | Cable ASM-Deck Engage |
| 14:1 | 92-5748 | 1 | Decal - Air Duct | 36 | 9266714 | 2 | Screw-HWHTF |
| 15 | 92-5782 | 1 | Patch - Heat Tape | 37 | 93-3849 | 1 | Brkt-Cable |
| 16 | 88-3930-03 | 1 | Shield - Heat | 38 | 614249 | 1 | Tie Strap |
| 17 | 46-8090 | 3 | Screw-Tapping | 39 | 94-1980 | 2 | Foam-Hood |
| 18 | 88-6040-03 | 1 | Bracket - Hinge | | | | |
| 19 | 3290-307 | 2 | Pin-Cotter | | | | |
| 20 | 88-4170 | 1 | Rod - Pivot | | | | |
| 21 | 3256-24 | 2 | Washer-Flat | | | | |
| 22 | 32128-43 | 2 | Nut-Whiz Flg | | | | |
| 23 | 88-4140 | 2 | Nut - Wedge | | | | |
| 24 | 88-4160 | 2 | Clamp - Pivot Rod | | | | |
| 25 | 88-5190-03 | 1 | Lever W.a. - Deck Engage | | | | |

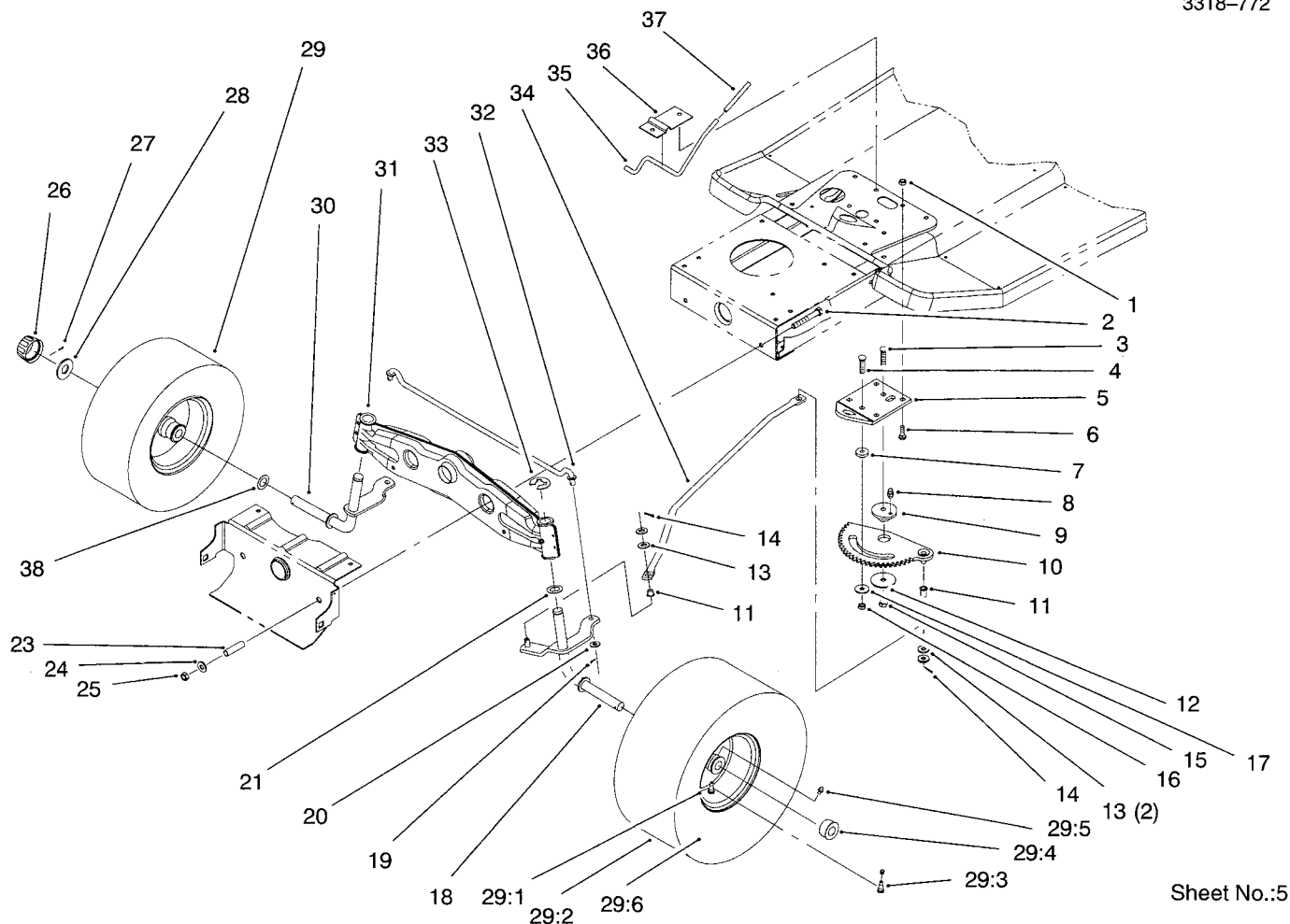


Sheet No.:4

Seat Assembly

| Ref. No. | Part No. | Qty. | Description |
|----------|------------|------|-------------------------------------|
| 1 | 37-8770 | 2 | Bolt-Shldr |
| 2 | 37-8770 | 2 | Bolt-Shldr |
| 3 | 88-4910-03 | 1 | Support - Seat |
| 4 | 5-4460 | 1 | Washer-Fender |
| 5 | 92-9674 | 1 | Knob-Studded |
| 6 | 3290-479 | 4 | Fastener-Panel |
| 7 | 88-5170 | 1 | Cover - HOC (Only On: 71185) |
| 7 | 93-7657 | 1 | Cover - HOC (Only On: 71205) |
| 8 | 3290-282 | 2 | Pop Rivet |
| 9 | 88-5030-03 | 1 | Gate - HOC |
| 10 | 322-3 | 4 | Screw-HH |
| 11 | 88-4820-03 | 2 | Bracket - Seat Hinge |
| 12 | 3296-29 | 6 | Nut-Lock |
| 13 | 3269-26 | 2 | Washer |
| 15 | 3290-479 | 12 | Fastener-Panel |
| 16 | 88-5240 | 1 | Foot Mat |
| 17 | 88-5220 | 1 | Foot Mat |
| 18 | 3269-26 | 2 | Washer |
| 19 | 88-5020-03 | 1 | Plate - Shift Gate |
| 20 | 3290-282 | 2 | Pop Rivet |
| 21 | 88-5160 | 1 | Cover - Shift Gate (Only On: 71185) |
| 21 | 93-7656 | 1 | Cover - Shift Gate (Only On: 71205) |

| Ref. No. | Part No. | Qty. | Description |
|----------|----------|------|------------------------------|
| 22 | 3290-479 | 4 | Fastener-Panel |
| 24 | 114621 | 1 | Decal-Noise (Only On: 71205) |
| 25 | 88-3950 | 1 | Seat |

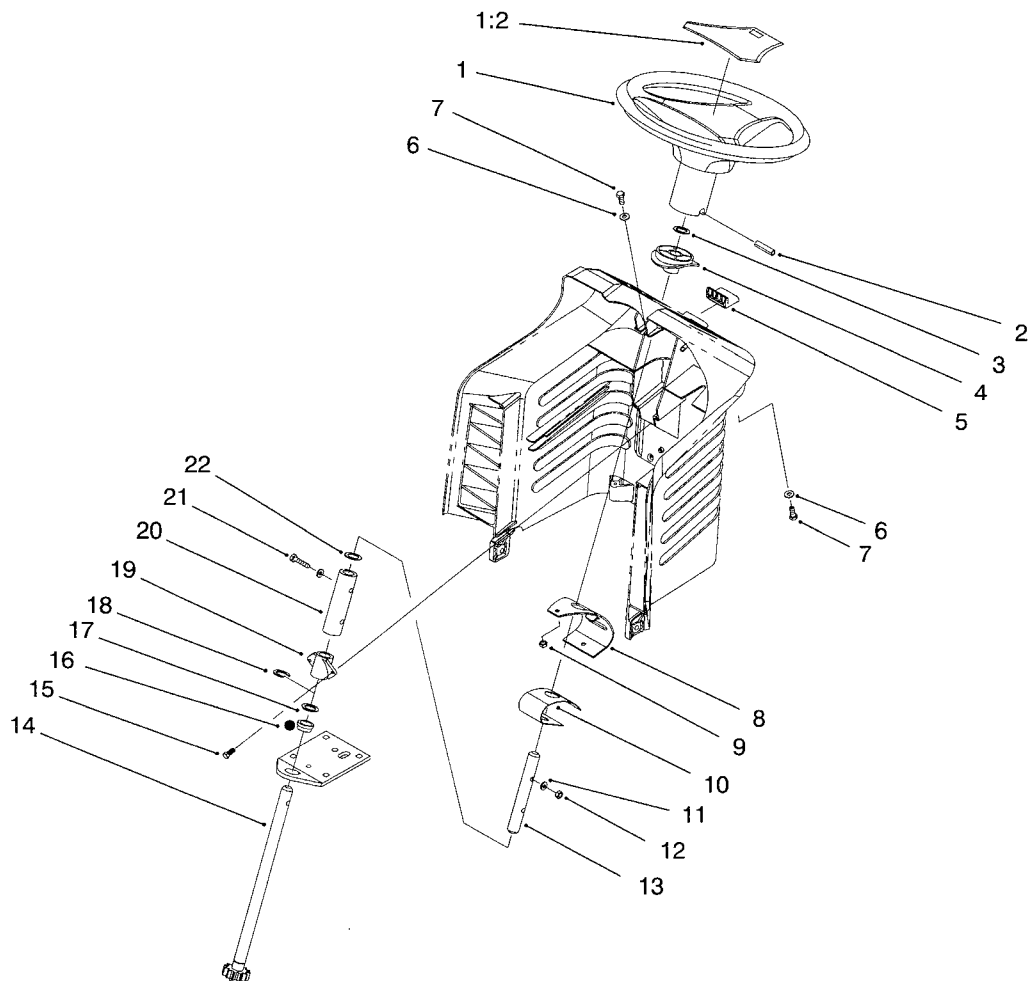


Sheet No.:5

Front Axle Assembly

| Ref. No. | Part No. | Qty. | Description |
|----------|------------|------|--------------------------|
| 1 | 3296-29 | 4 | Nut-Lock |
| 2 | 323-13 | 2 | Screw-HH |
| 3 | 3231-4 | 1 | Bolt-CARR |
| 4 | 3230-3 | 1 | Screw-CARR |
| 5 | 88-5130-03 | 1 | Bracket - Steering Rack |
| 6 | 3230-1 | 4 | Screw-CARR |
| 7 | 88-5010 | 1 | Spacer - Steering Rack |
| 8 | 302-26 | 1 | Fitting-Grease |
| 9 | 88-4670 | 1 | Bushing - Eccentric |
| 10 | 88-5200 | 1 | Steering Rack W.a. |
| 11 | 52-2891 | 2 | Bushing - Steering Links |
| 12 | 111419 | 1 | Washer-Bearing |
| 13 | 3256-25 | 4 | Washer-Flt |
| 14 | 3272-10 | 2 | Pin-Cotter |
| 15 | 3296-39 | 1 | Nut-Lock |
| 16 | 3296-29 | 1 | Nut-Lock |
| 17 | 5-4460 | 1 | Washer-Fender |
| 18 | 92-7890-03 | 1 | Spindle Wa-LH |
| 19 | 3272-10 | 2 | Pin-Cotter |
| 20 | 3256-24 | 2 | Washer-Flat |
| 21 | 3-6498 | 2 | Washer-Thrust |
| 23 | 88-5470 | 2 | Spacer - Front Axle |
| 24 | 3256-24 | 2 | Washer-Flat |

| Ref. No. | Part No. | Qty. | Description |
|----------|------------|------|---------------------------|
| 25 | 3296-39 | 2 | Nut-Lock |
| 26 | 61-9780 | 2 | Hubcap |
| 27 | 3272-12 | 2 | Pin-Cotter |
| 28 | 28-2480 | 2 | Washer-Flat |
| 29 | 88-4280 | 2 | Front Wheel & Tire Asm |
| 29:1 | 88-4370 | 2 | Rim ASM-15" Front |
| 29:2 | 88-4070 | 2 | Tire 15x6.00-6 |
| 29:3 | 232-27 | 2 | Valve Stem & Cap Assembly |
| 29:4 | 88-4400 | 2 | Bearing-Wheel |
| 29:5 | 302-5 | 2 | Fitting-Grease |
| 29:6 | 232-39 | 2 | Tube-Inner 15x6-6 |
| 30 | 92-7889-03 | 1 | Spindle Wa-RH |
| 31 | 94-1962-03 | 1 | Front Axle Wa |
| 32 | 88-5380 | 1 | Tie Rod - Steering |
| 33 | 32151-48 | 2 | Ring-Retaining |
| 34 | 88-4830 | 1 | Link - Drag |
| 35 | 88-5510 | 1 | Rod-Parking Brake |
| 36 | 88-5520-03 | 1 | Bracket-Parking Brake |
| 37 | 88-0890 | 1 | Grip - Parking Brake |
| 38 | 3-6498 | 4 | Washer-Thrust |

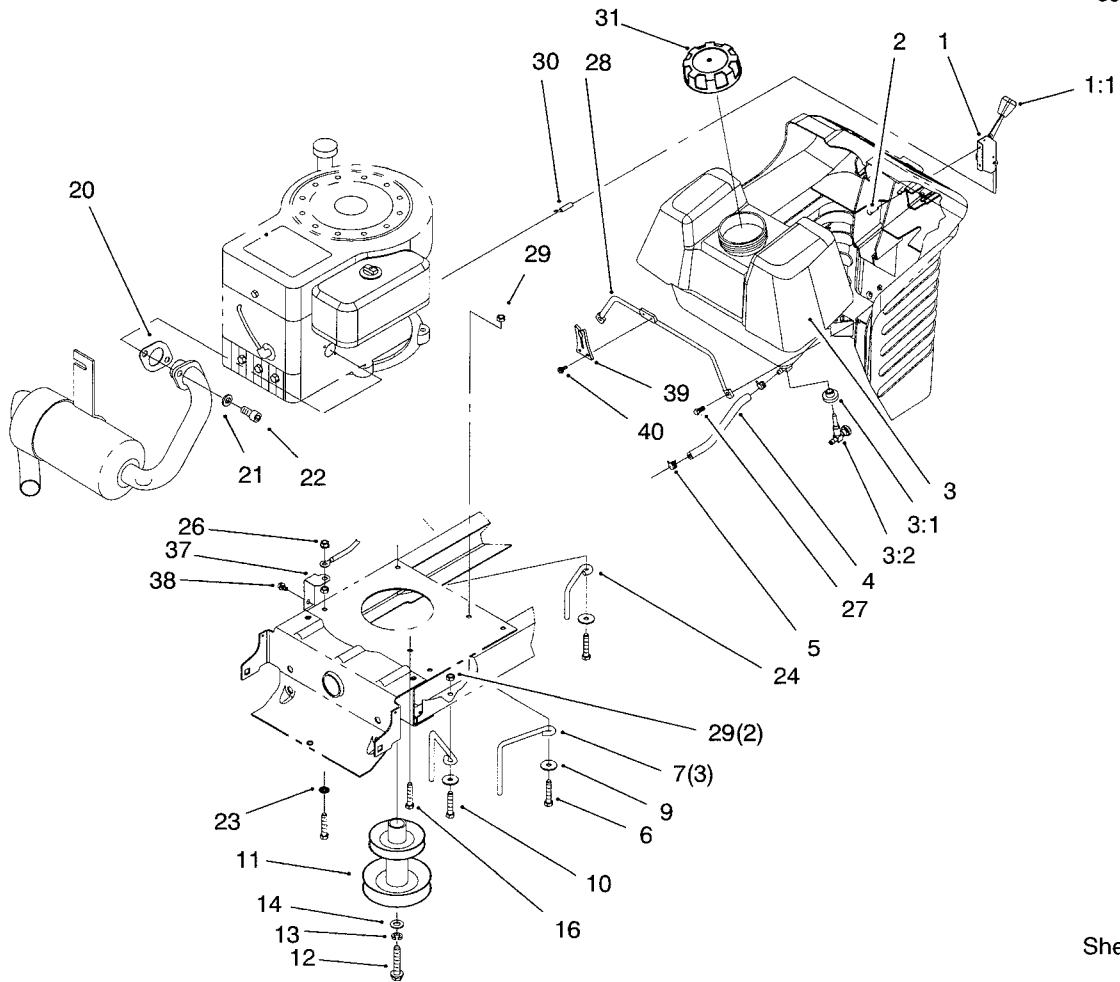


Sheet No.:6

Steering Assembly

| Ref. No. | Part No. | Qty. | Description |
|----------|------------|------|---------------------------|
| 1 | 88-3850 | 1 | Steering Wheel |
| 1:2 | 88-3870 | 1 | Cover-Steering Wheel |
| 2 | 32121-111 | 1 | Pin-Spiral |
| 3 | 32151-81 | 1 | Retaining Ring Push-On |
| 4 | 88-4190 | 1 | Bushing - Sliding |
| 5 | 88-4180 | 1 | Button - Release |
| 6 | 3256-22 | 2 | Washer-Flat |
| 7 | 321-4 | 2 | Screw-HH |
| 8 | 88-5180-01 | 1 | Bracket - Backup |
| 9 | 3296-42 | 2 | Nut-Lock |
| 10 | 88-4890 | 1 | Spring - Leaf |
| 11 | 3-7501 | 4 | Washer-Curved |
| 12 | 3296-42 | 2 | Nut-Lock |
| 13 | 88-6300 | 1 | Shaft - Steering |
| 14 | 88-6370 | 1 | Shaft W.a. - Steering |
| 15 | 27-0220 | 2 | Screw-Special HWH |
| 16 | 88-5150 | 1 | Bushing - Flange |
| 17 | 3-6498 | 1 | Washer-Thrust |
| 18 | 32151-48 | 1 | Ring-Retaining |
| 19 | 88-4210 | 1 | Bushing - Stationary |
| 20 | 88-6090 | 1 | Coupling - Steering |
| 21 | 321-9 | 2 | Screw-HH |
| 22 | 3-6498 | 1 | Washer-Thrust |

| Ref. No. | Part No. | Qty. | Description |
|----------|----------|------|-------------|
| | | | |
| | | | |
| | | | |
| | | | |
| | | | |
| | | | |
| | | | |
| | | | |
| | | | |
| | | | |
| | | | |
| | | | |
| | | | |
| | | | |
| | | | |
| | | | |
| | | | |

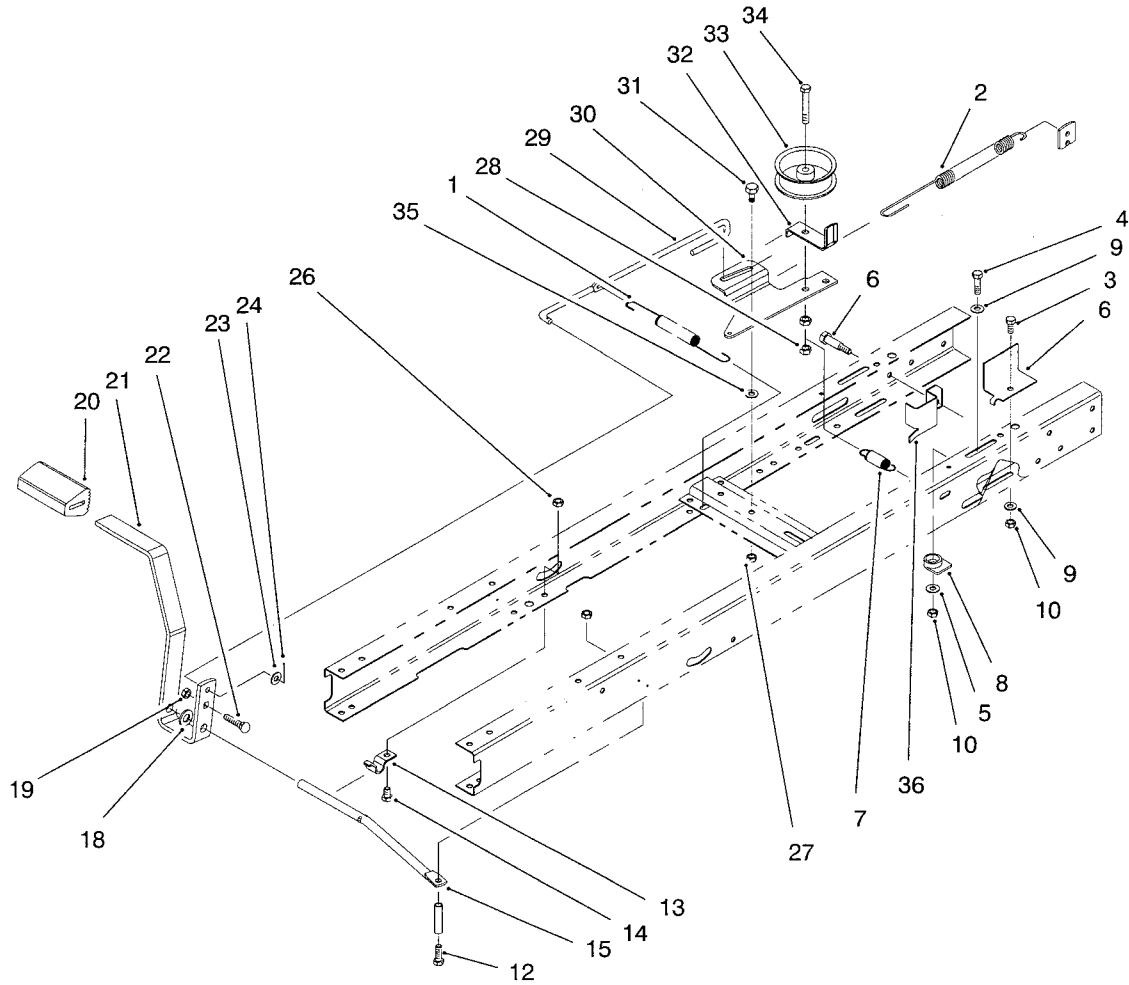


Sheet No.:8

Gas Tank & Engine Pulley Assembly

| Ref. No. | Part No. | Qty. | Description |
|----------|----------|------|----------------------|
| 1 | 88-4340 | 1 | Throttle Control ASM |
| 1:1 | 66-0120 | 1 | Knob |
| 2 | 27-0220 | 2 | Screw-Special HWH |
| 3 | 88-3880 | 1 | Gas Tank Assembly |
| 3:1 | 104047 | 1 | Bushing |
| 3:2 | 104048 | 1 | Assembly-Valve |
| 4 | 47-2963 | 1 | Fuel Line |
| 5 | 2412-98 | 2 | Clamp-Hose |
| 6 | 322-9 | 3 | Screw-HH |
| 7 | 93-3854 | 3 | Belt Guide - Engine |
| 9 | 5-4460 | 4 | Washer-Fender |
| 10 | 322-5 | 2 | Screw-HH |
| 11 | 94-1963 | 1 | Pulley Assy-Engine |
| 12 | 26-0671 | 1 | Bolt-Blade |
| 13 | 3253-22 | 1 | Washer-Lock |
| 14 | 3256-25 | 1 | Washer-Fit |
| 16 | 9267154 | 1 | Screw |
| 20 | 88-4410 | 1 | Gasket - Muffler |
| 21 | 3253-4 | 2 | Washer-Lock |
| 22 | 3274-10 | 2 | Screw-Sckt Hd |
| 23 | 3255-8 | 1 | Washer-Lock |
| 24 | 93-3855 | 1 | Belt Guide - R.h. |
| 26 | 32149-1 | 2 | Nut-Keps |
| 27 | 27-0220 | 2 | Screw-Special HWH |
| 28 | 94-1952 | 1 | Rod-Gas Tank |
| 29 | 3296-29 | 4 | Nut-Lock |

| Ref. No. | Part No. | Qty. | Description |
|----------|-----------|------|--------------------|
| 30 | 88-4350 | 1 | Cable ASM-Throttle |
| 31 | 88-3980 | 1 | Gas Cap ASM |
| 37 | 93-3809 | 1 | Bracket-Ground |
| 38 | 9266714 | 1 | Screw-HWHTF |
| 39 | 94-1951 | 1 | Latch-Hood |
| 40 | 32144-112 | 2 | Screw-Thd Form |

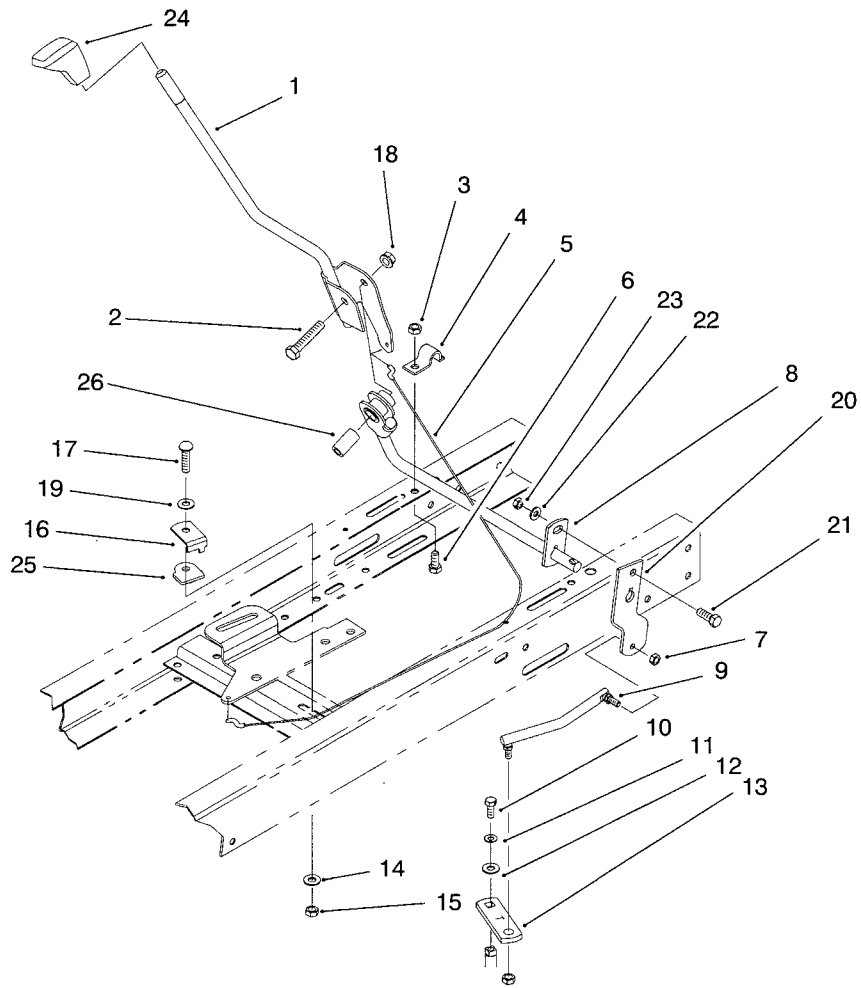


Sheet No.:9

Clutch Assembly

| Ref. No. | Part No. | Qty. | Description |
|----------|------------|------|-----------------------|
| 1 | 27-8890 | 1 | Spring – Pedal Return |
| 2 | 94-4294 | 1 | Spring-Brake |
| 3 | 322-3 | 1 | Screw-HH |
| 4 | 322-6 | 1 | Screw-HH |
| 5 | 5-4460 | 1 | Washer-Fender |
| 6 | 94-5433 | 1 | Bracket-Belt Guide |
| 7 | 88-6330 | 1 | Spring – Extension |
| 8 | 84-5610 | 1 | Guide-Cable |
| 9 | 3256-23 | 2 | Washer-Flat |
| 10 | 3296-29 | 2 | Nut-Lock |
| 13 | 88-4810 | 1 | Clamp – Shift Pivot |
| 14 | 322-3 | 2 | Screw-HH |
| 15 | 88-5500 | 1 | Rod – Pedal Pivot |
| 18 | 3256-26 | 1 | Washer-Fit |
| 19 | 3296-29 | 1 | Nut-Lock |
| 20 | 65-2920 | 1 | Pad-Pedal |
| 21 | 88-5000-03 | 1 | Pedal – Clutch/Brake |
| 22 | 3230-3 | 1 | Screw-CARR |
| 23 | 3256-23 | 1 | Washer-Flat |
| 24 | 3272-10 | 1 | Pin-Cotter |
| 26 | 3296-29 | 2 | Nut-Lock |
| 27 | 3296-29 | 1 | Nut-Lock |
| 28 | 3296-59 | 2 | Nut-Lock |
| 29 | 88-5270 | 1 | Rod – Clutch/Brake |
| 30 | 88-6070 | 1 | Arm -Idler |
| 31 | 37-8770 | 1 | Bolt-Shldr |

| Ref. No. | Part No. | Qty. | Description |
|----------|----------|------|--------------------|
| 32 | 88-5560 | 1 | Belt Guide – Idler |
| 33 | 88-5680 | 1 | Idler Pulley |
| 34 | 323-11 | 1 | Screw |
| 35 | 5-4460 | 1 | Washer-Fender |
| 36 | 94-4926 | 1 | Bracket-Belt Guide |

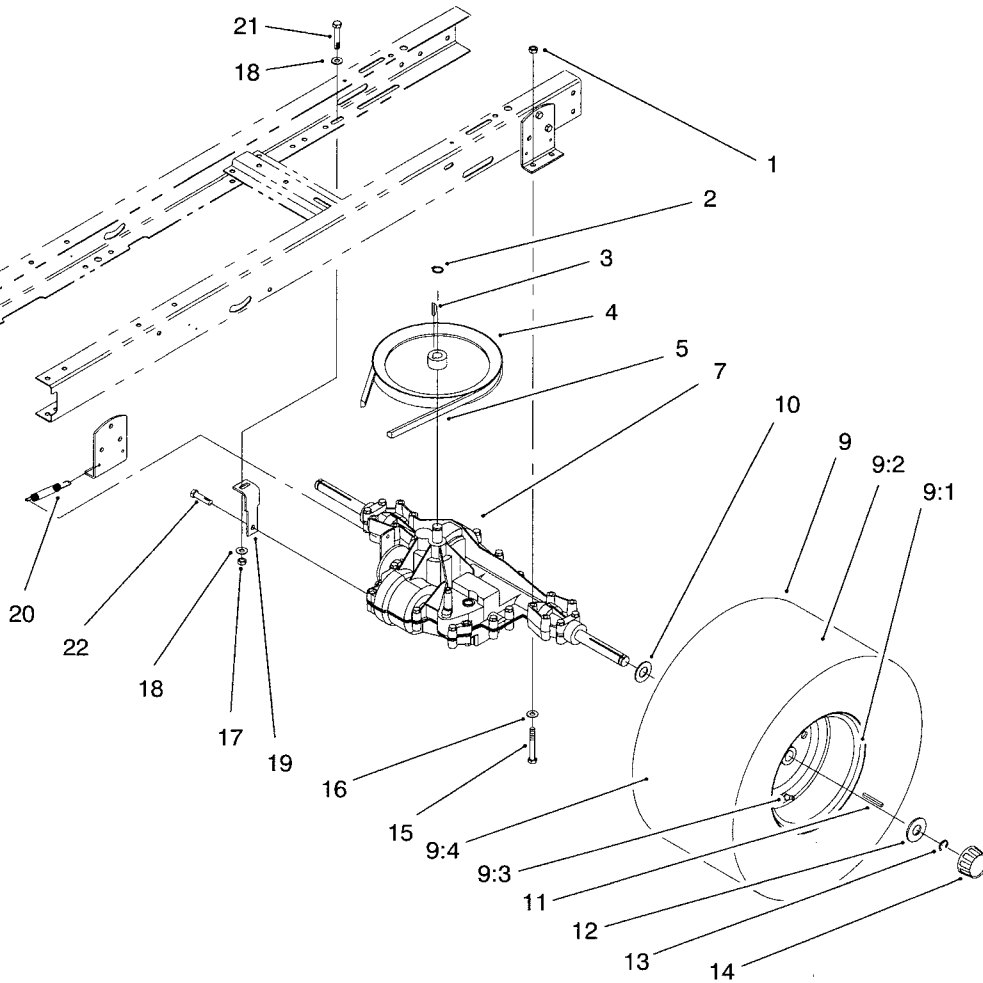


Sheet No.:10

Shift Assembly

| Ref. No. | Part No. | Qty. | Description |
|----------|------------|------|-----------------------------|
| 1 | 94-1991-03 | 1 | Shift Lever Wa |
| 2 | 323-10 | 1 | Screw-HH |
| 3 | 3296-29 | 2 | Nut-Lock |
| 4 | 88-4810 | 2 | Clamp - Shift Pivot |
| 5 | 55-9321 | 1 | Cable-Clutch |
| 6 | 322-3 | 2 | Screw-HH |
| 7 | 3296-3 | 2 | Nut-Lock |
| 8 | 94-1993-03 | 1 | Shift Pivot Wa |
| 9 | 94-5431 | 1 | Link-Shift |
| 10 | 329-23 | 1 | Screw |
| 11 | 3253-3 | 1 | Washer-Lock |
| 12 | 7-5461 | 1 | Spacer-Transmission |
| 13 | 88-5340 | 1 | Lever - Shift (Transaxle |
| 14 | 3256-23 | 1 | Washer-Flat |
| 15 | 3296-29 | 1 | Nut-Lock |
| 16 | 88-5930 | 1 | Keeper - Cable |
| 17 | 3230-3 | 1 | Screw-CARR |
| 18 | 3296-39 | 1 | Nut-Lock |
| 19 | 3256-25 | 1 | Washer-Flt |
| 20 | 94-1968 | 1 | Lever-Shift Pivot |
| 21 | 322-3 | 1 | Screw-HH |
| 22 | 3256-23 | 1 | Washer-Flat |
| 23 | 3296-29 | 1 | Nut-Lock |
| 24 | 94-5565 | 1 | Knob - Control |

| Ref. No. | Part No. | Qty. | Description |
|----------|----------|------|---------------------|
| 25 | 84-5610 | 1 | Guide-Cable |
| 26 | 94-1997 | 1 | Bushing-Shift Lever |

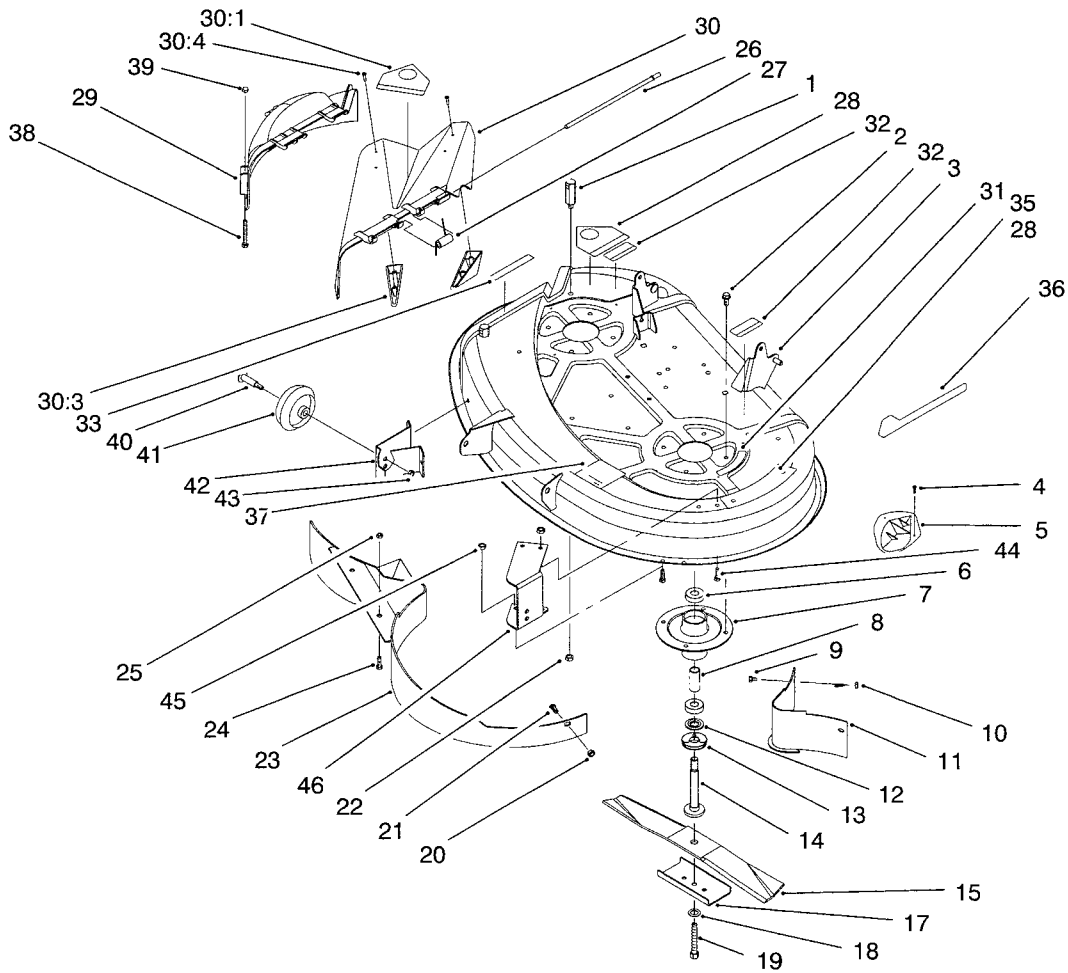


Sheet No.:11

Transaxle Assembly

| Ref. No. | Part No. | Qty. | Description |
|----------|----------|------|---------------------------|
| 1 | 3296-29 | 4 | Nut-Lock |
| 2 | 32120-64 | 1 | Ring-Retaining |
| 3 | 3257-23 | 1 | Key-Woodruff |
| 4 | 88-4840 | 1 | Pulley - Transmission |
| 5 | 88-6270 | 1 | V-Belt |
| 7 | 94-6022 | 1 | Transaxle - Peerless 931 |
| 9 | 88-4300 | 2 | Rear Wheel & Tire ASM |
| 9:1 | 88-4390 | 2 | Rim ASM-18" Rear |
| 9:2 | 88-4090 | 2 | Tire 18x9.50-8 |
| 9:3 | 232-27 | 2 | Valve Stem & Cap Assembly |
| 9:4 | 232-41 | 2 | Tube-Inner 18x9.50-8 |
| 10 | 3-6498 | 2 | Washer-Thrust |
| 11 | 7-0036 | 2 | Key-Square |
| 12 | 28-2480 | 2 | Washer-Flat |
| 13 | 32151-48 | 2 | Ring-Retaining |
| 14 | 61-9780 | 2 | Hubcap |
| 15 | 322-12 | 4 | Screw HH |
| 16 | 3256-23 | 4 | Washer-Flat |
| 17 | 3296-29 | 2 | Nut-Lock |
| 18 | 3256-23 | 4 | Washer-Flat |
| 19 | 94-1969 | 2 | Strap-Torque |
| 20 | 26-6700 | 1 | Spring - Extension |

| Ref. No. | Part No. | Qty. | Description |
|----------|----------|------|-------------|
| 21 | 322-3 | 2 | Screw-HH |
| 22 | 32144-14 | 2 | Screw-HWH |

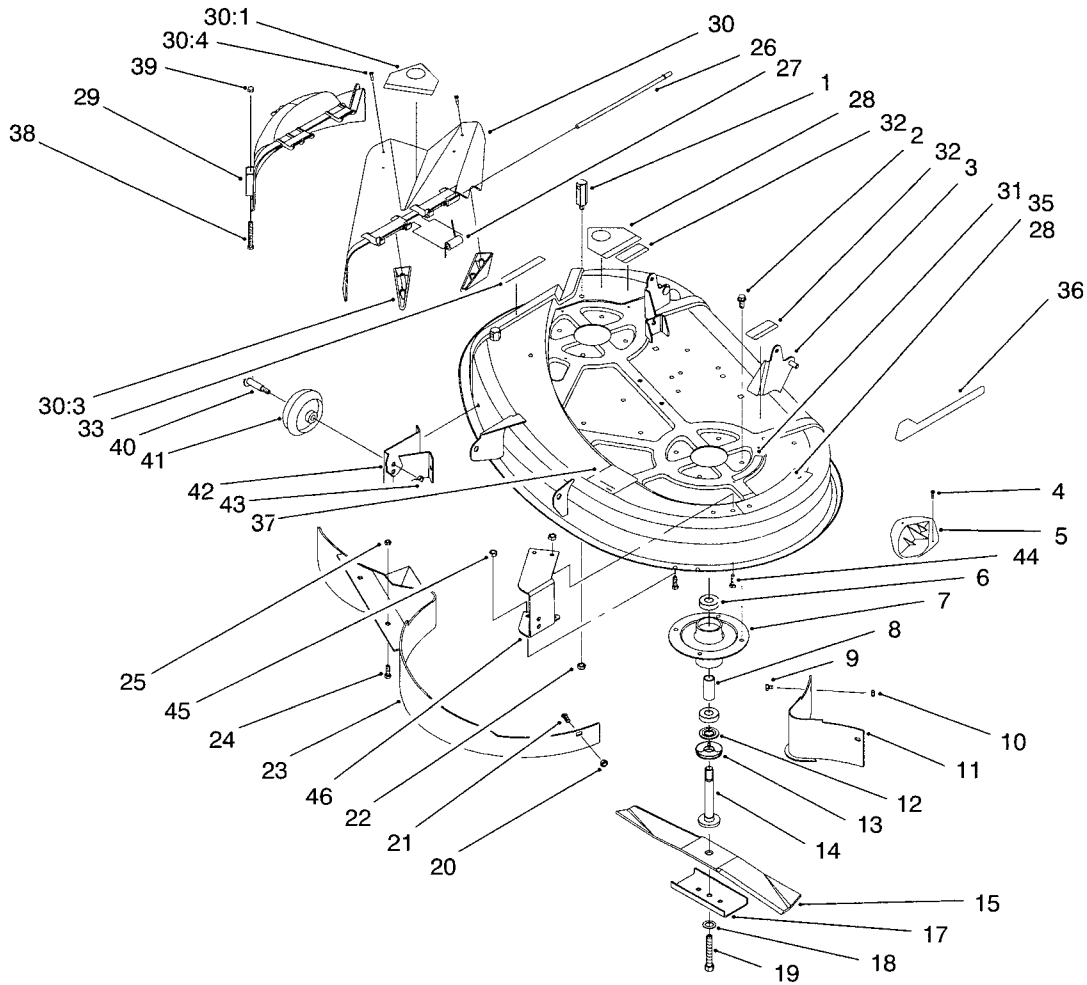


Sheet No.:16

Deck Assembly (38" Cutting Unit)

| Ref. No. | Part No. | Qty. | Description |
|----------|------------|------|---------------------------------------|
| 1 | 57-4360 | 1 | Pivot Post – Rear |
| 2 | 32144-41 | 8 | Screw–HWHTF |
| 3 | 94-1949-01 | 1 | Deck Wa-38" |
| 4 | 32144-111 | 8 | Screw – PPH (Only On: 71185) |
| 5 | 76-2160 | 4 | Plate–Kicker (Only On: 71185) |
| 6 | 38-7820 | 4 | Bearing–Ball |
| 7 | 88-4510 | 2 | Spindle – Diecast Alum. |
| 8 | 62-3661 | 2 | Spacer – Bearing |
| 9 | 321-4 | 2 | Screw–HH (Only On: 71185) |
| 10 | 3296-42 | 2 | Nut–Lock (Only On: 71185) |
| 11 | 79-1640-03 | 1 | Wa–Baffle (Only On: 71185) |
| 12 | 80-4380 | 2 | Spacer – Hardened |
| 13 | 80-4360 | 2 | Shield – Bearing |
| 14 | 80-4341 | 2 | Shaft – Spindle |
| 15 | 57-4700 | 2 | Blade–19.32" (Only On: 71205) |
| 15 | 79-3061 | 2 | Blade–19.32 Recycler (Only On: 71185) |
| 17 | 80-0510-03 | 2 | Stiffener–Blade (Only On: 71185) |
| 18 | 3290-465 | 2 | Washer–Spring |

| Ref. No. | Part No. | Qty. | Description |
|----------|------------|------|-------------------------------------|
| 19 | 26-0671 | 2 | Bolt–Blade |
| 20 | 3296-29 | 1 | Nut–Lock (Only On: 71185) |
| 21 | 3230-1 | 1 | Screw–CARR (Only On: 71185) |
| 22 | 3296-39 | 1 | Nut–Lock |
| 23 | 79-1600-03 | 1 | Wa–Baffle (Only On: 71185) |
| 24 | 323-5 | 2 | Screw–HH (Only On: 71185) |
| 25 | 3296-39 | 2 | Nut–Lock (Only On: 71185) |
| 26 | 57-4380 | 1 | Rod– Hinge Deflector |
| 27 | 57-6950 | 1 | Spring–Torsion Deflector |
| 28 | 93-1122 | 1 | Decal–Danger (Only On: 71185) |
| 28 | 93-7010 | 2 | Decal–Danger (Only On: 71205) |
| 29 | 88-4430 | 1 | Recycler Cover ASM (Only On: 71185) |
| 30 | 93-0317 | 1 | ASM–Deflector (Only On: 71185) |
| 30 | 93-7695 | 1 | ASM.–38" Deflector (Only On: 71205) |

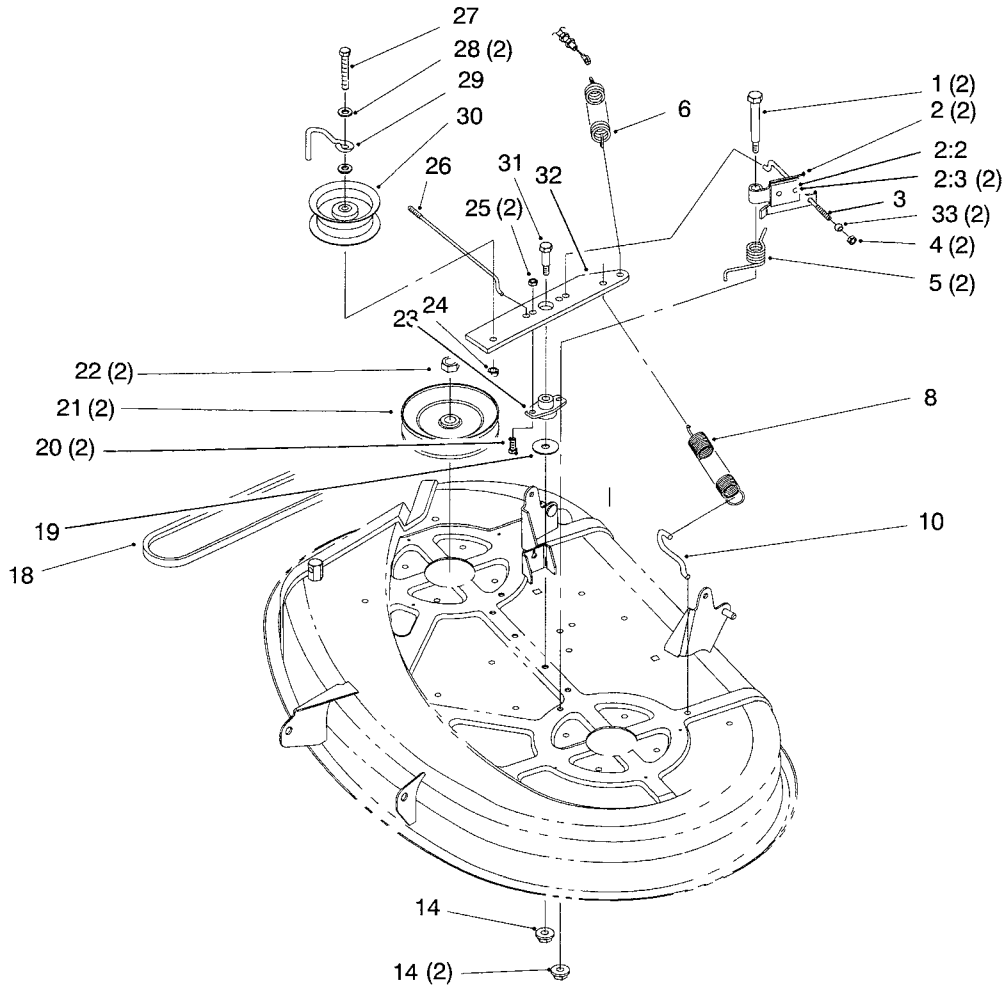


Sheet No.:16

Deck Assembly (38" Cutting Unit) (Continued)

| Ref. No. | Part No. | Qty. | Description |
|----------|----------|------|---|
| 30:1 | 93-1122 | 1 | Decal-Danger (Only On: 71185) |
| 30:1 | 93-7010 | 1 | Decal-Danger (Only On: 71205) |
| 30:3 | 93-7696 | 2 | Kicker - Ce (Only On: 71205) |
| 30:4 | 93-0231 | 4 | Screw-Plastite (Only On: 71205) |
| 31 | 68-3660 | 1 | Decal - Shield Danger (Only On: 71185) |
| 31 | 93-6677 | 1 | Decal - Shield Danger (Only On: 71205) |
| 32 | 55-4300 | 2 | Decal-Warning (Only On: 71185) |
| 32 | 93-6674 | 2 | Decal-Warninig (Only On: 71205) |
| 33 | 68-3650 | 1 | Decal-Danger (Only On: 71185) |
| 33 | 93-7009 | 1 | Decal-Deflector Danger (Only On: 71205) |
| 35 | 79-3140 | 1 | Decal-Danger (Only On: 71185) |
| 36 | 92-9520 | 1 | Decal-Deck (Only On: 71185) |
| 37 | 93-6679 | 1 | Decal - Belt Routing |

| Ref. No. | Part No. | Qty. | Description |
|----------|------------|------|--|
| 38 | 321-15 | 2 | Screw-HH (Only On: 71185) |
| 39 | 32111-7 | 2 | Nut-Cap (Only On: 71185) |
| 40 | 56-6591 | 2 | Wheel Bolt (Only On: 71205) |
| 41 | 701756 | 2 | Wheel - Deck (Only On: 71205) |
| 42 | 88-5740-03 | 1 | Bracket-Deck Wheel RH (Only On: 71205) |
| 43 | 3296-39 | 2 | Nut-Lock (Only On: 71205) |
| 44 | 322-3 | 6 | Screw-HH (Only On: 71205) |
| 45 | 3296-29 | 6 | Nut-Lock (Only On: 71205) |
| 46 | 93-3896-03 | 1 | Bracket-Deck Wheel LH (Only On: 71205) |

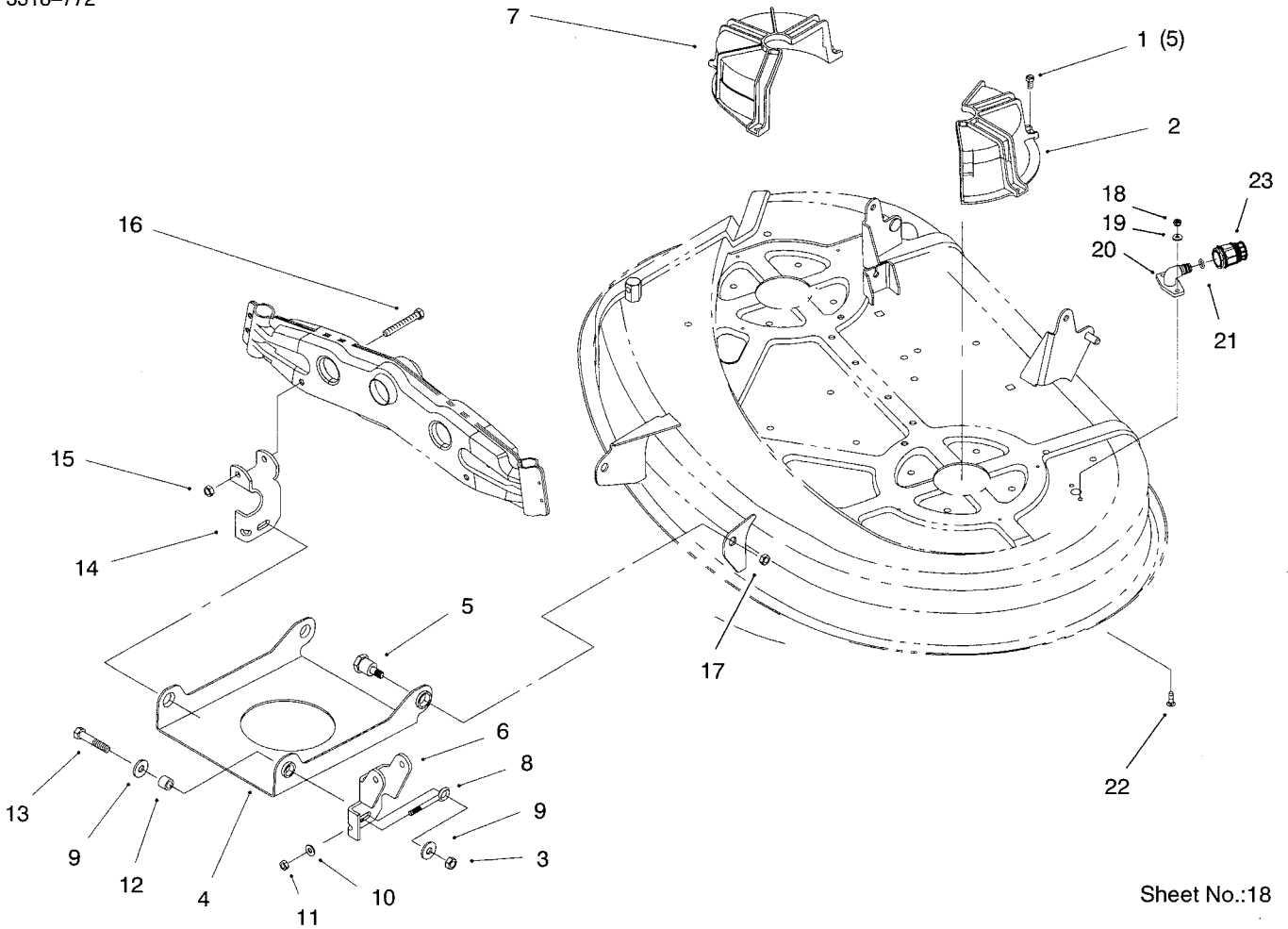


Sheet No.:17

Pulley & Belt Assembly (38" Cutting Unit)

| Ref. No. | Part No. | Qty. | Description |
|----------|----------|------|----------------------|
| 1 | 88-4590 | 2 | Bolt-Shoulder |
| 2 | 88-6100 | 2 | ASM. - Deck Brake |
| 2:2 | 56-9830 | 2 | Brake Pad |
| 2:3 | 3290-282 | 4 | Pop Rivet |
| 3 | 88-5550 | 1 | Rod -LH Deck Brake |
| 4 | 3296-42 | 2 | Nut-Lock |
| 5 | 88-5910 | 2 | Spring - Torsion |
| 6 | 88-6130 | 1 | Spring - Deck Engage |
| 8 | 92-8934 | 1 | Spring - Extension |
| 10 | 88-5970 | 1 | Hook - Return Spring |
| 14 | 3296-58 | 3 | Nut-Lock |
| 18 | 88-6250 | 1 | V-Belt |
| 19 | 3256-68 | 1 | Washer-Flt |
| 20 | 322-5 | 2 | Screw-HH |
| 21 | 88-5330 | 2 | Pulley - Deck |
| 22 | 3219-6 | 2 | Nut-Hex |
| 23 | 88-4980 | 1 | Bushing - Idler Arm |
| 24 | 3296-39 | 1 | Nut-Lock |
| 25 | 3296-29 | 2 | Nut-Lock |
| 26 | 88-5540 | 1 | Rod -RH Deck Brake |
| 27 | 323-12 | 1 | Screw |
| 28 | 3256-24 | 2 | Washer-Flat |
| 29 | 88-5070 | 1 | Belt Guide - Idler |
| 30 | 88-5630 | 1 | Pulley - Idler |
| 31 | 7-0030 | 1 | Shoulder Bolt |

| Ref. No. | Part No. | Qty. | Description |
|----------|------------|------|---------------|
| 32 | 88-4870-03 | 1 | Arm - Idler |
| 33 | 67-0710 | 2 | Ball - Swivel |

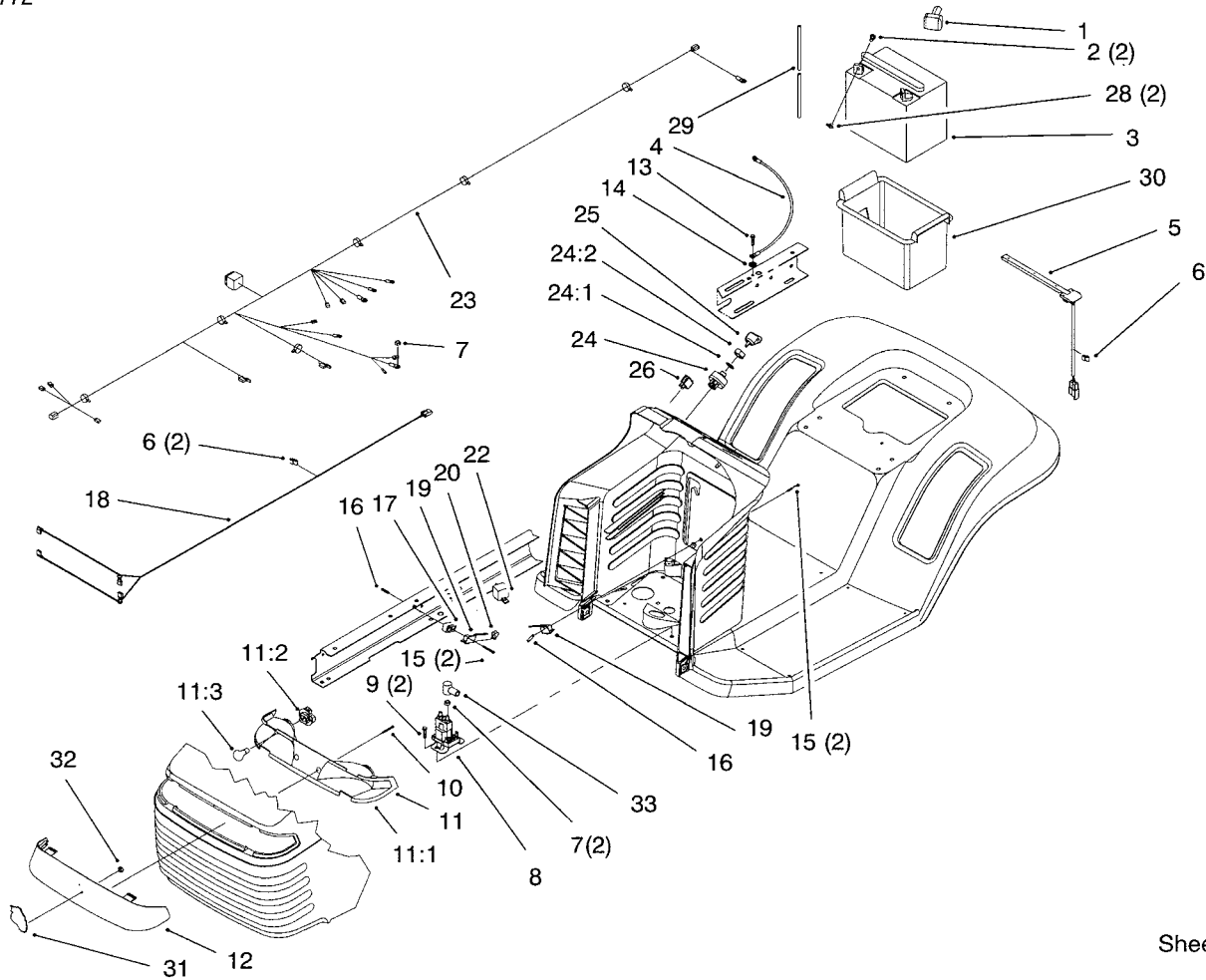


Sheet No.:18

Suspension Assembly (38" Cutting Unit)

| Ref. No. | Part No. | Qty. | Description |
|----------|------------|------|-----------------------------|
| 1 | 32104-76 | 5 | Screw-Self TAP |
| 2 | 88-4030 | 1 | Belt Guide - Deck |
| 3 | 3296-39 | 2 | Nut-Lock |
| 4 | 93-3881-03 | 1 | Pan - Front Deck Suspens |
| 5 | 94-5823 | 2 | Bolt-Shoulder |
| 6 | 94-1971-03 | 1 | Bracket-Deck Susp |
| 7 | 88-4020 | 1 | Belt Guide - Deck |
| 8 | 61-9980 | 2 | Screw-Adjusting |
| 9 | 80-6990 | 4 | Washer-Hardened |
| 10 | 3256-22 | 2 | Washer-Flat |
| 11 | 3296-42 | 2 | Nut-Lock |
| 12 | 93-9847 | 2 | Spacer |
| 13 | 323-9 | 2 | Screw-HH |
| 14 | 94-1970-03 | 1 | Bracket-Deck Susp |
| 15 | 3296-29 | 2 | Nut-Lock |
| 16 | 322-12 | 2 | Screw HH |
| 17 | 3296-23 | 2 | Nut-Lock |
| 18 | 3296-16 | 2 | Nut-Lock |
| 19 | 3256-1 | 2 | Washer-Flat |
| 20 | 95-2747 | 1 | Fitting-Washout |
| 21 | 46-6290 | 1 | O-Ring |
| 22 | 3229-1 | 2 | Bolt-CARR. |
| 23 | 95-3270 | 1 | Connector - Hose |

| Ref. No. | Part No. | Qty. | Description |
|----------|----------|------|-------------|
| | | | |
| | | | |
| | | | |
| | | | |
| | | | |
| | | | |
| | | | |
| | | | |
| | | | |
| | | | |
| | | | |

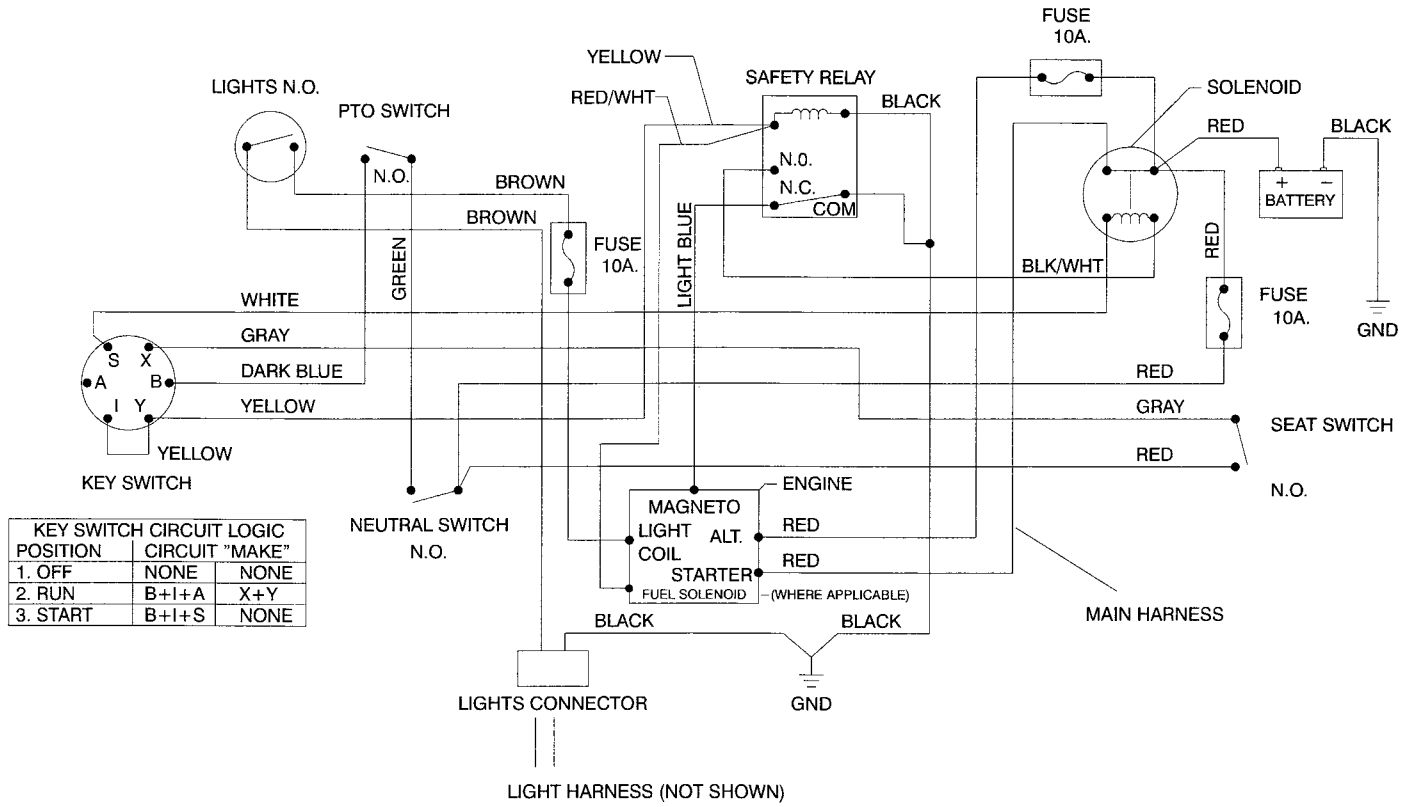


Sheet No.:20

Electrical Assembly

| Ref. No. | Part No. | Qty. | Description |
|----------|----------|------|-----------------------|
| 1 | 28-8080 | 1 | Boot-Battery Terminal |
| 2 | 321-4 | 2 | Screw-HH |
| 3 | 80-2600 | 1 | Battery - 7 Plate |
| 4 | 44-8110 | 1 | Battery Cable -Neg |
| 5 | 38-1420 | 1 | Switch-Seat |
| 6 | 702366 | 1 | Clip-Wire Retainer |
| 6 | 702366 | 2 | Clip-Wire Retainer |
| 7 | 32149-2 | 3 | Nut-Hex Lock |
| 8 | 92-9845 | 1 | Solenoid |
| 9 | 9266714 | 2 | Screw-HWHTF |
| 10 | 32144-32 | 2 | Screw-Plastic |
| 11 | 88-3970 | 1 | Reflector-Lamp |
| 11:1 | 93-8741 | 1 | Reflector - Headlight |
| 11:2 | 111686 | 2 | Socket Assembly |
| 11:3 | 7228 | 2 | Bulb - Light |
| 12 | 88-3960 | 1 | Lense - Headlights |
| 13 | 9266714 | 1 | Screw-HWHTF |
| 14 | 3255-7 | 1 | Washer-Lock |
| 15 | 93-0539 | 4 | Screw-PPH |
| 16 | 3290-354 | 2 | Nut-Speed |
| 17 | 88-4880 | 1 | Spacer - Microswitch |
| 18 | 88-4320 | 1 | Harness-Wire |
| 19 | 88-9932 | 2 | Switch - Micro |
| 20 | 93-3240 | 1 | Seal-Plunger |
| 22 | 116397 | 1 | Relay |
| 23 | 93-3810 | 1 | Wire Harness |

| Ref. No. | Part No. | Qty. | Description |
|----------|----------|------|-------------------------|
| 24 | 88-9830 | 1 | Switch-Ignition |
| 24:1 | 3254-5 | 1 | Washer-Lock(F/W Switch) |
| 24:2 | 218-461 | 1 | Nut-HH (F/W Sw) |
| 25 | 63-8360 | 1 | Key-Ignition |
| 26 | 92-8875 | 1 | Switch-Rocker |
| 28 | 32103-22 | 2 | Nut-Wing |
| 29 | 56-2540 | 1 | Tube-Vent Use w/80-2600 |
| 30 | 88-4040 | 1 | Battery Box |
| 31 | 80-2240 | 1 | Plate-Name Grille |
| 32 | 3290-299 | 1 | Nut - Tinnerman |
| 33 | 94-5362 | 1 | Boot-Terminal Insulator |

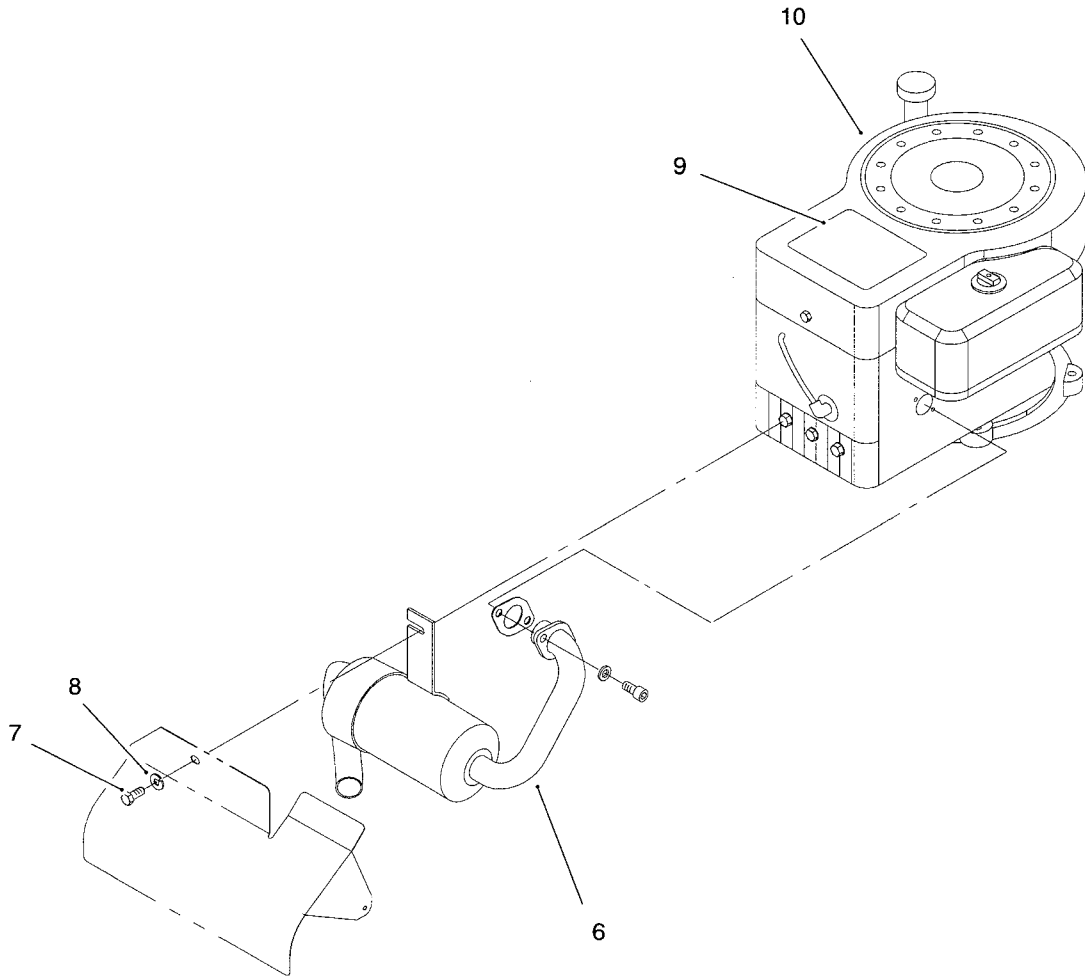


Sheet No.:21

Electrical Schematic

| Ref. No. | Part No. | Qty. | Description |
|----------|----------|------|-------------|
| | | | |
| | | | |
| | | | |
| | | | |
| | | | |
| | | | |
| | | | |
| | | | |
| | | | |
| | | | |

| Ref. No. | Part No. | Qty. | Description |
|----------|----------|------|-------------|
| | | | |
| | | | |
| | | | |
| | | | |
| | | | |
| | | | |
| | | | |
| | | | |
| | | | |
| | | | |

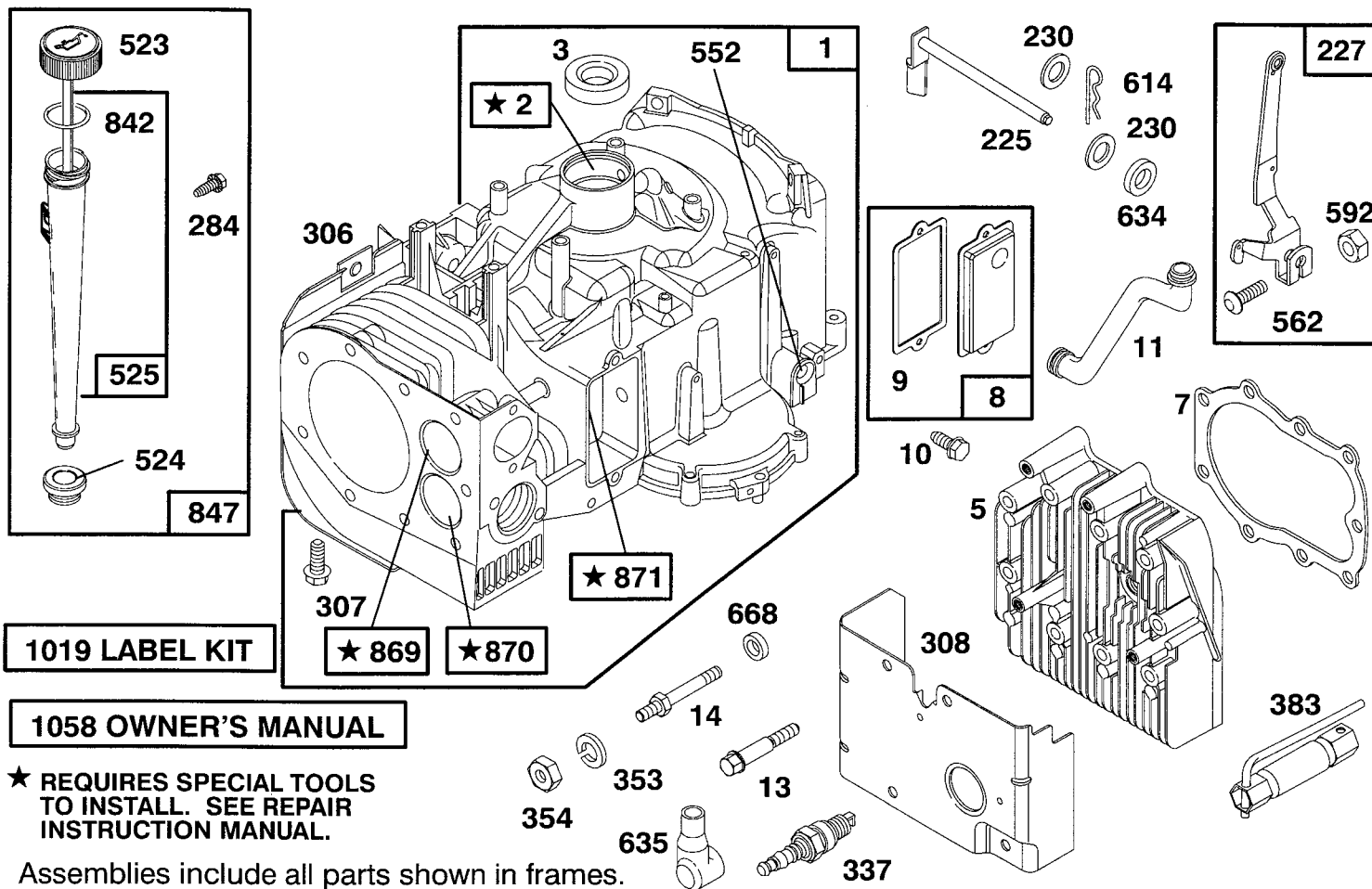


Sheet No.:25

Engine Assembly

| Ref. No. | Part No. | Qty. | Description |
|----------|----------|------|---------------------------|
| 6 | 88-6480 | 1 | Muffler W.a. |
| 7 | 321-4 | 1 | Screw-HH |
| 8 | 3253-3 | 1 | Washer-Lock |
| 9 | 92-8757 | 1 | Decal - Engine |
| 10 | | 1 | Engine - 13 Hp B&s I/C |

| Ref. No. | Part No. | Qty. | Description |
|----------|----------|------|-------------|
| | | | |
| | | | |
| | | | |
| | | | |



1019 LABEL KIT

1058 OWNER'S MANUAL

★ REQUIRES SPECIAL TOOLS TO INSTALL. SEE REPAIR INSTRUCTION MANUAL.

Assemblies include all parts shown in frames.

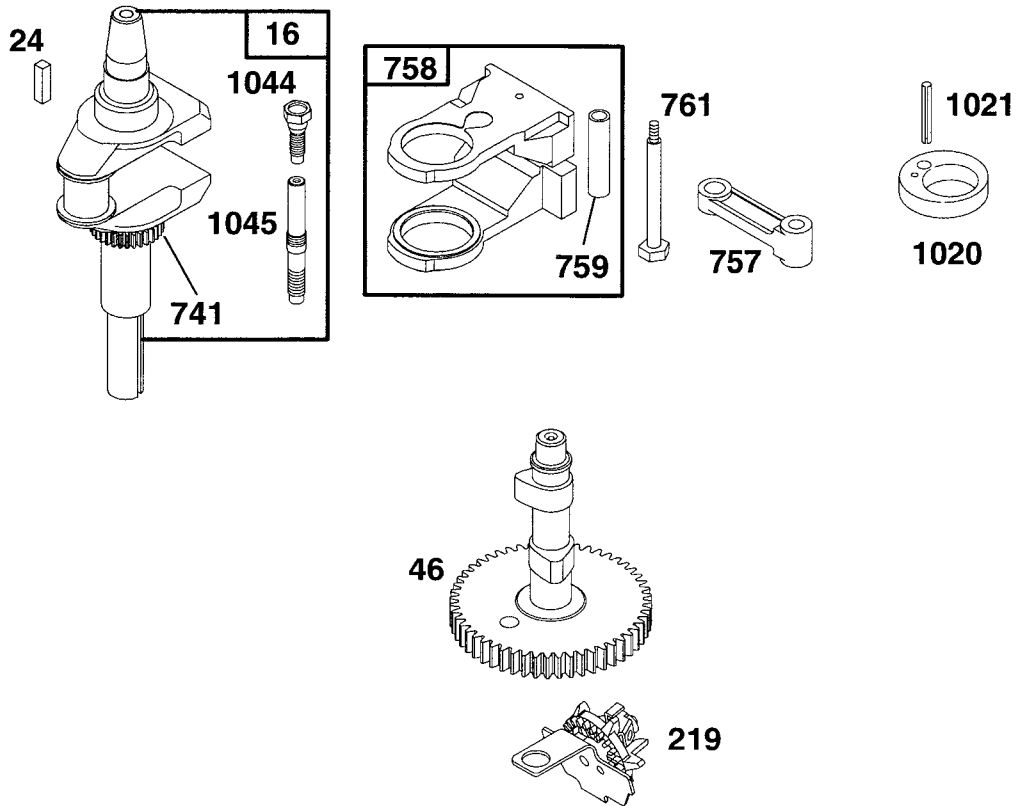
ENGINE BRIGGS & STRATTON MODEL 28M707-0127-01

| Ref. No. | Part No. | Description | No. Used |
|----------|----------|------------------------|----------|
| 1 | 496413 | Cylinder Assembly | 1 |
| 2 | 399265 | Bearing-Cylinder | 1 |
| ★3 | 391086 | Seal-Oil | 1 |
| 5 | 494240 | Head-Cylinder | 1 |
| ★7 | 271866 | Gasket-Cylinder Head | 1 |
| 8 | 495735 | Breather Assembly | 1 |
| ★9 | 27803 | Gasket-Valve Cover | 1 |
| 10 | 94621 | Screw-Sem | 1 |
| 11 | 281246 | Tube-Breather | 1 |
| 13 | 94622 | Screw-Cylinder Head | 1 |
| 14 | 94776 | Stud-Cyl. Head | 1 |
| 225 | 495157 | Crank-Governor | 1 |
| 227 | 493935 | Lever Assy.-Governor | 1 |
| 230 | 94742 | Washer-Gov. Crank | 1 |
| 284 | 94073 | Screw-Hex Head | 1 |
| 306 | 224545 | Shield-Cylinder | 1 |
| 307 | 94623 | Screw-Cyl. Shield Mtg. | 1 |
| 308 | 491490 | Cover-Cylinder Head | 1 |
| 337 | 802592 | Plug-Spark | 1 |
| 353 | 94315 | Washer-Lock | 1 |
| 354 | 94314 | Nut-Hex. | 1 |

| Ref. No. | Part No. | Description | No. Used |
|----------|----------|--|----------|
| 383 | 89838 | Wrench-Spark Plug | 1 |
| 523 | 495230 | Cap-Oil Fill | 1 |
| ★524 | 281370 | Seal-Fill Tube | 1 |
| 525 | 496113 | Tube-Oil Fill | 1 |
| 552 | 231597 | Bushing-Gov. Crank | 1 |
| 562 | 92613 | Bolt-Carriage | 1 |
| 592 | 231082 | Nut-Hex. | 1 |
| 614 | 93306 | Pin-Cotter | 1 |
| ★634 | 491323 | Seal-Governor | 1 |
| 635 | 66538 | Elbow-Spark Plug | 1 |
| 668 | 231109 | Spacer | 1 |
| ★842 | 270920 | Seal-Oil Fill Cap | 1 |
| 847 | 496415 | Fill Group-Oil | 1 |
| 869 | 261463 | Seat-Intake Valve | 1 |
| 870 | 213316 | Seat-Exhaust Valve | 1 |
| 871 | 261961 | Guide-Exhaust Valve | 1 |
| | | Note: 231218 Guide-Intake Valve | 1 |
| 1019 | 491255 | Label Kit | 1 |
| 1058 | 272697 | Owner's Manual | 1 |

★ Included in Gasket Set-Part No. 494241.
 ◆ Included in Carburetor Gasket Set-Part No. 494385.

● Included in Carburetor Kit-Part No. 497535.



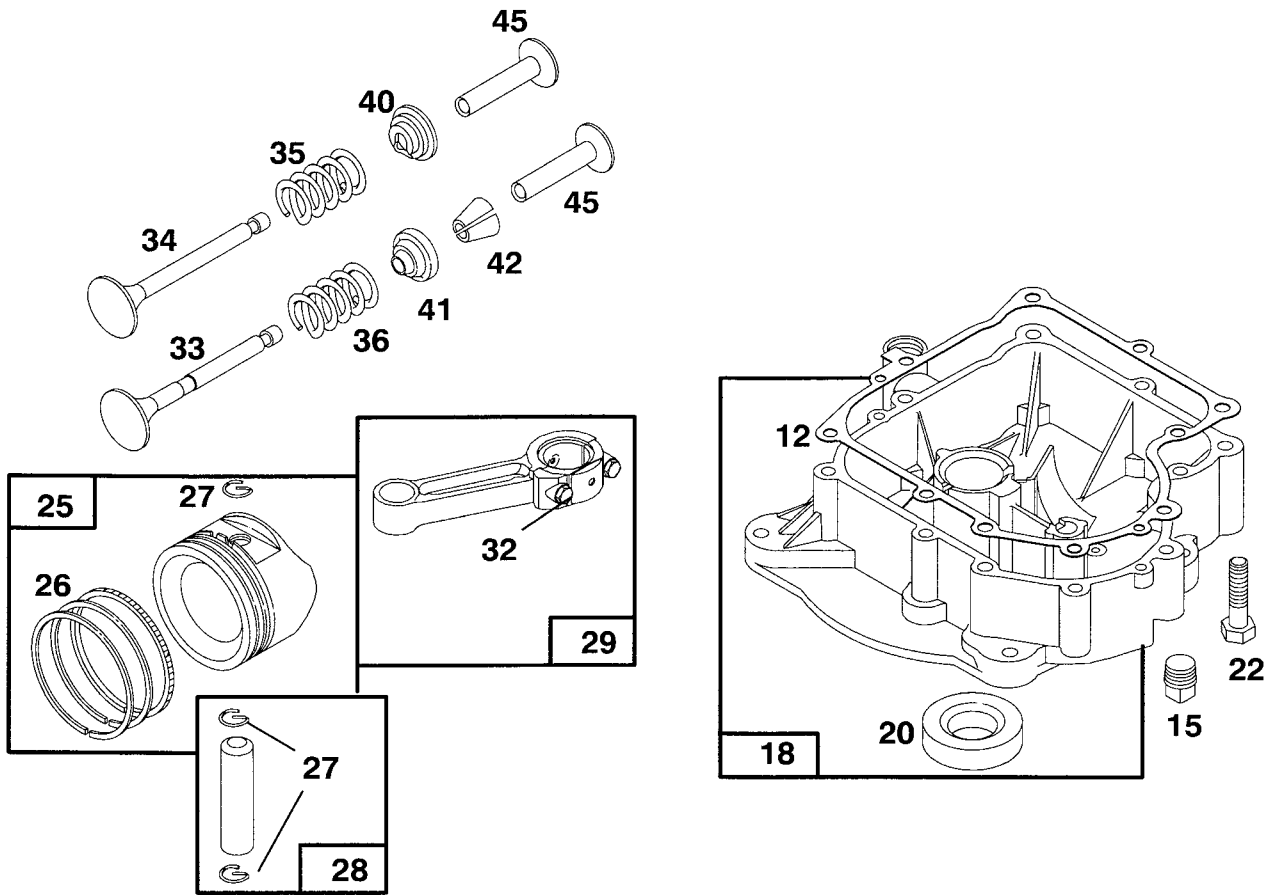
Assemblies include all parts shown in frames.

ENGINE BRIGGS & STRATTON MODEL 28M707-0127-01

| Ref. No. | Part No. | Description | No. Used | Ref. No. | Part No. | Description | No. Used |
|----------|----------|------------------------------|----------|----------|----------|----------------------|----------|
| 16 | 495162 | Crankshaft | 1 | 758 | 399891 | Counterweight Assy. | 1 |
| | 94196 | Key-Timing Gear | 1 | 759 | 298909 | Pin-Counterweight | 1 |
| 24 | 222698 | Key-Flywheel | 1 | 761 | 94593 | Screw-Counterweight | 1 |
| 46 | 213720 | Gear-Cam | 1 | 1020 | 262243 | Eccentric | 1 |
| 219 | 490815 | Oil Slinger, Gov. Gear Assy. | 1 | 1021 | 94160 | Pin-Eccentric | 1 |
| 741 | 262932 | Gear-Timing | 1 | 1044 | 94673 | Screw-Shoulder | 1 |
| 757 | 213998 | Link-Counterweight | 1 | 1045 | 231828 | Extension-Crankshaft | 1 |

★ Included in Gasket Set-Part No. 494241.
 ◆ Included in Carburetor Gasket Set-Part No. 494385.

● Included in Carburetor Kit-Part No. 497535.



Assemblies include all parts shown in frames.

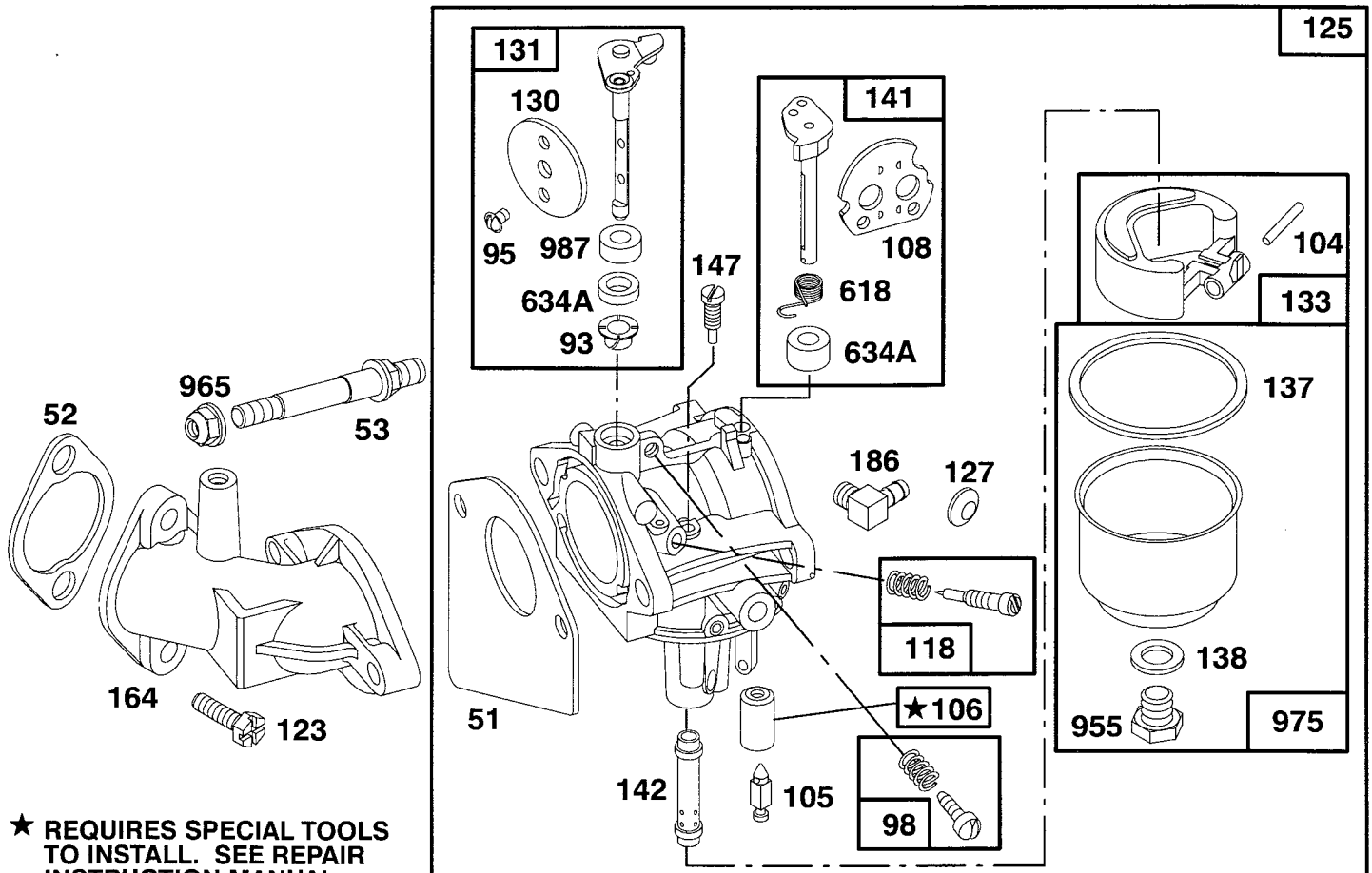
ENGINE BRIGGS & STRATTON MODEL 28M707-0127-01

| Ref. No. | Part No. | Description | No. Used |
|----------|----------|--------------------------------|----------|
| ★12 | 271916 | Gasket-Crankcase (.015" Thick) | 1 |
| ★ | 271997 | Gasket-Crankcase (.005" Thick) | 1 |
| ★ | 271996 | Gasket-Crankcase (.009" Thick) | 1 |
| 15 | 94239 | Plug-Oil Drain | 1 |
| 18 | 494238 | Base-Engine | 1 |
| ★20 | 291675 | Seal-Oil | 1 |
| 22 | 94624 | Screw-Base Mtg. Sem | 1 |
| 25 | 497518 | Piston Assy. (Std.) | 1 |
| | 497519 | Piston Assy. (.010" O.S.) | 1 |
| | 497520 | Piston Assy. (.020" O.S.) | 1 |
| | 497521 | Piston Assy. (.030" O.S.) | 1 |
| 26 | 391780 | Ring Set-Piston (Std.) | 1 |
| | 391781 | Ring Set-Piston (.010" O.S.) | 1 |
| | 391782 | Ring Set-Piston (.020" O.S.) | 1 |
| | 391783 | Ring Set-Piston (.030" O.S.) | 1 |

| Ref. No. | Part No. | Description | No. Used |
|----------|----------|--|----------|
| 27 | 260924 | Lock-Piston Pin | 1 |
| 28 | 299691 | Pin Assy.-Piston (Standard) | 1 |
| | 391286 | Pin Assy.-Piston (.005" O.S.) | 1 |
| 29 | 490348 | Rod Assembly-Connecting | 1 |
| | 490469 | Rod-Connecting (020" U.S. Crankpin Bore) | 1 |
| 32 | 94671 | Screw-Connecting Rod | 1 |
| 33 | 262246 | Valve-Exhaust | 1 |
| 34 | 262247 | Valve-Intake | 1 |
| 35 | 65906 | Spring-Intake Valve | 1 |
| 36 | 26828 | Spring-Exhaust Valve | 1 |
| 40 | 221596 | Retainer-Intake Valve | 1 |
| 41 | 292260 | Rotocoil-Exhaust Valve | 1 |
| 42 | 93630 | Retainer-Ex. Valve Rotocoil | 1 |
| 45 | 262248 | Tappet-Valve | 1 |

★ Included in Gasket Set-Part No. 494241.
 ◆ Included in Carburetor Gasket Set-Part No. 494385.

● Included in Carburetor Kit-Part No. 497535.



★ REQUIRES SPECIAL TOOLS TO INSTALL. SEE REPAIR INSTRUCTION MANUAL.

Assemblies include all parts shown in frames.

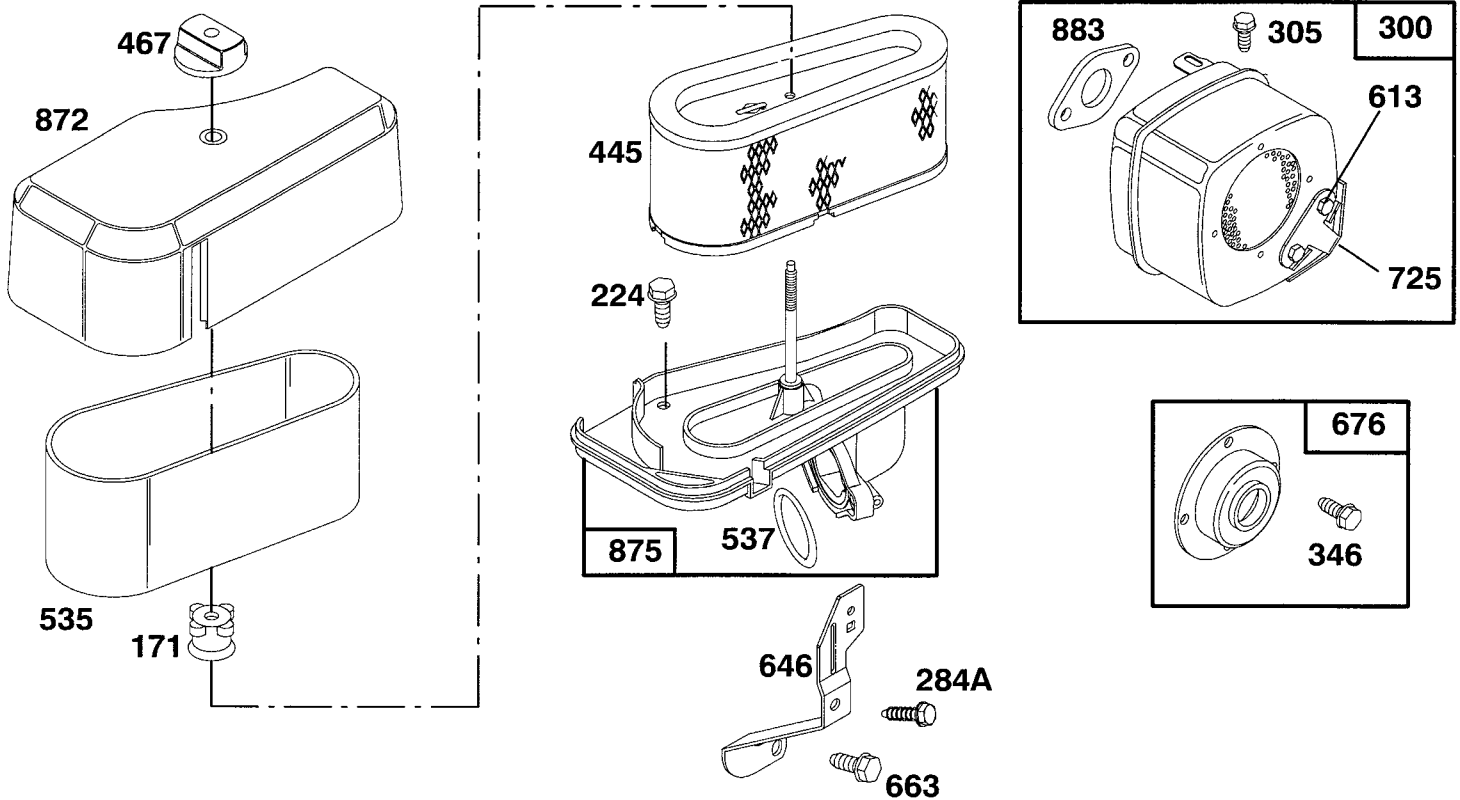
ENGINE BRIGGS & STRATTON MODEL 28M707-0127-01

| Ref. No. | Part No. | Description | No. Used |
|----------|----------|--|----------|
| ◆51 | 272465 | Gasket—Carburetor (Carb. to Manifold) | 1 |
| ★52 | 272554 | Gasket—Carburetor (Manifold to Cylinder) | 1 |
| 53 | 94637 | Stud—Carb. Mtg. | 1 |
| ●93 | 281346 | Bushing—Throttle Shaft | 1 |
| ●95 | 94098 | Screw—Throttle | 1 |
| 98 | 495800 | Screw—Idle Speed | 1 |
| ●104 | 231789 | Pin—Float Hinge | 1 |
| ●105 | 231855 | Valve Assy.—Inlet Needle | 1 |
| ●106 | 231854 | Inlet Valve Seat | 1 |
| 108 | 224540 | Valve—Choke | 1 |
| 118 | 494383 | Valve—Needle | 1 |
| 121 | 495799 | Carburetor Kit | 1 |
| 123 | 94616 | Screw—Elbow Mtg. | 1 |
| 125 | 495706 | Carburetor Assembly | 1 |
| ●127 | | Plug—Welch (Sold in Kit Only) | 1 |
| 130 | 224539 | Valve—Throttle | 1 |

| Ref. No. | Part No. | Description | No. Used |
|----------|----------|-------------------------|----------|
| 131 | 494379 | Shaft—Throttle | 1 |
| 133 | 494381 | Float—Carburetor | 1 |
| ◆137 | 281165 | Gasket—Float Bowl | 1 |
| ◆138 | 281164 | Washer—Float Bowl Screw | 1 |
| 141 | 495931 | Shaft—Choke | 1 |
| ●142 | 497566 | Nozzle—Carburetor | 1 |
| ●147 | 231984 | Pilot—Jet | 1 |
| 164 | 213819 | Manifold—Intake | 1 |
| 186 | 493496 | Connector—Fuel | 1 |
| 618 | 262803 | Spring—Choke Return | 1 |
| ●634A | 281168 | Seal—Choke Shaft | 1 |
| ●634B | 398970 | Washer—Throttle Shaft | 1 |
| 955 | 94642 | Screw—Fuel Bowl | 1 |
| 965 | 94010 | Nut—Hex. | 1 |
| 975 | 494378 | Bowl Assy.—Carburetor | 1 |
| 977 | 494385 | Carburetor Gasket Kit | 1 |
| ●987 | 281166 | Seal—Throttle Shaft | 1 |

★ Included in Gasket Set—Part No. 494241.
 ◆ Included in Carburetor Gasket Set—Part No. 494385.

● Included in Carburetor Kit—Part No. 497535.



Assemblies include all parts shown in frames.

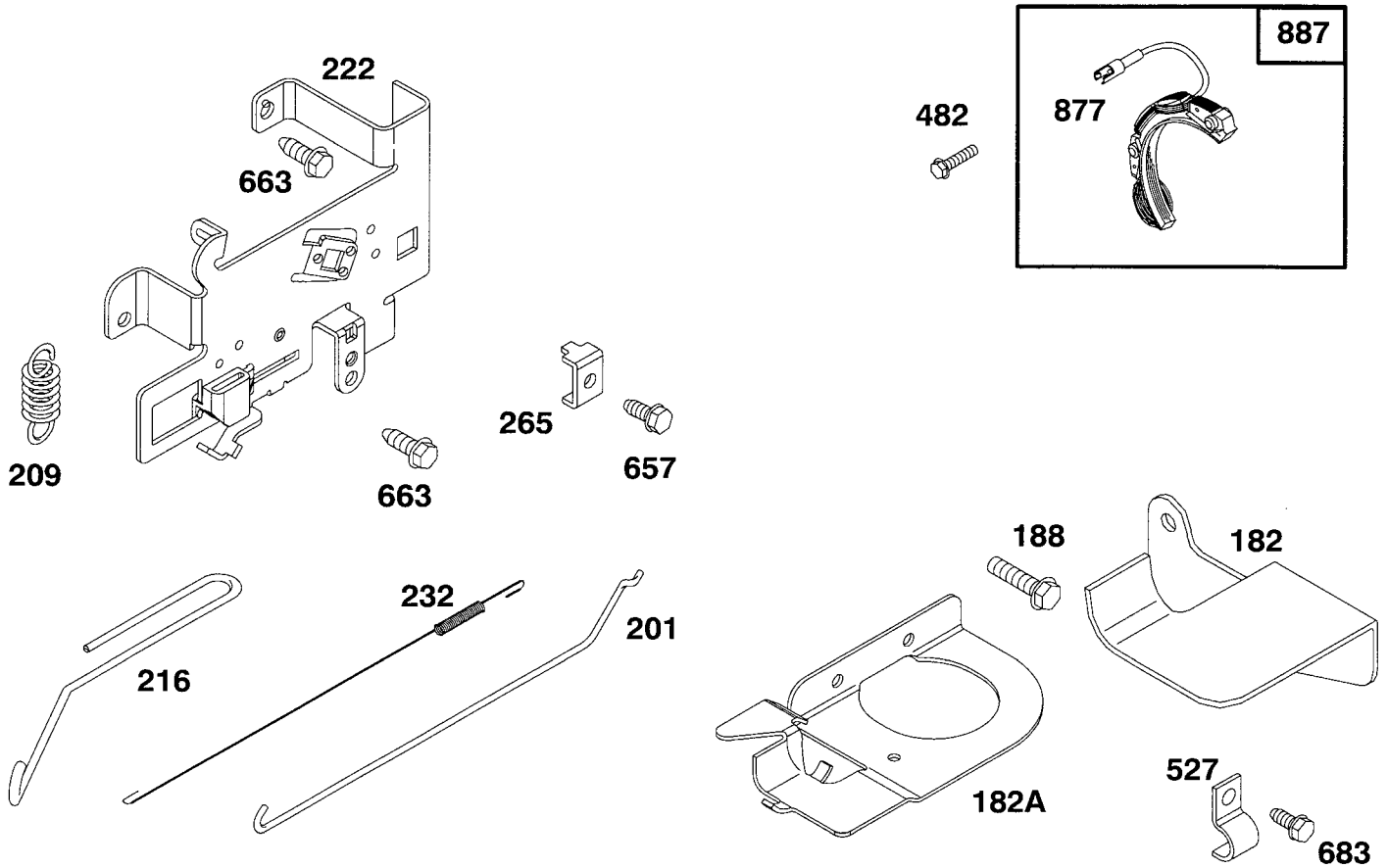
ENGINE BRIGGS & STRATTON MODEL 28M707-0127-01

| Ref. No. | Part No. | Description | No. Used |
|----------|----------|-----------------------|----------|
| 171 | 281051 | Nut—Air Cleaner Mtg. | 1 |
| 224 | 94729 | Screw—Air Cleaner Sem | 1 |
| 284A | 94704 | Screw Hex. Head | 1 |
| 300 | 491413 | Muffler—Exhaust | 1 |
| 305 | 94786 | Screw—Hex. Head | 1 |
| 346 | 93705 | Screw—Hex. Head | 1 |
| 445 | 496894 | Cartridge—Air Cleaner | 1 |
| 467 | 493903 | Knob—Air Cleaner | 1 |
| 535 | 272403 | Element—Air Cleaner | 1 |

| Ref. No. | Part No. | Description | No. Used |
|----------|----------|--------------------|----------|
| ★537 | 281106 | O-Ring—Air Cleaner | 1 |
| 613 | 93927 | Screw—Hex. Head | 1 |
| 646 | 224546 | Brace—Air Cleaner | 1 |
| 663 | 94620 | Screw—Hex. Hd. | 1 |
| 676 | 396903 | Deflector—Muffler | 1 |
| 725 | 223023 | Shield—Muffler | 1 |
| 872 | 281361 | Cover—Air Cleaner | 1 |
| 875 | 494237 | Body—Air Cleaner | 1 |
| ★883 | 272293 | Gasket—Exhaust | 1 |

★ Included in Gasket Set—Part No. 494241.
 ◆ Included in Carburetor Gasket Set—Part No. 494385.

● Included in Carburetor Kit—Part No. 497535.



Assemblies include all parts shown in frames.

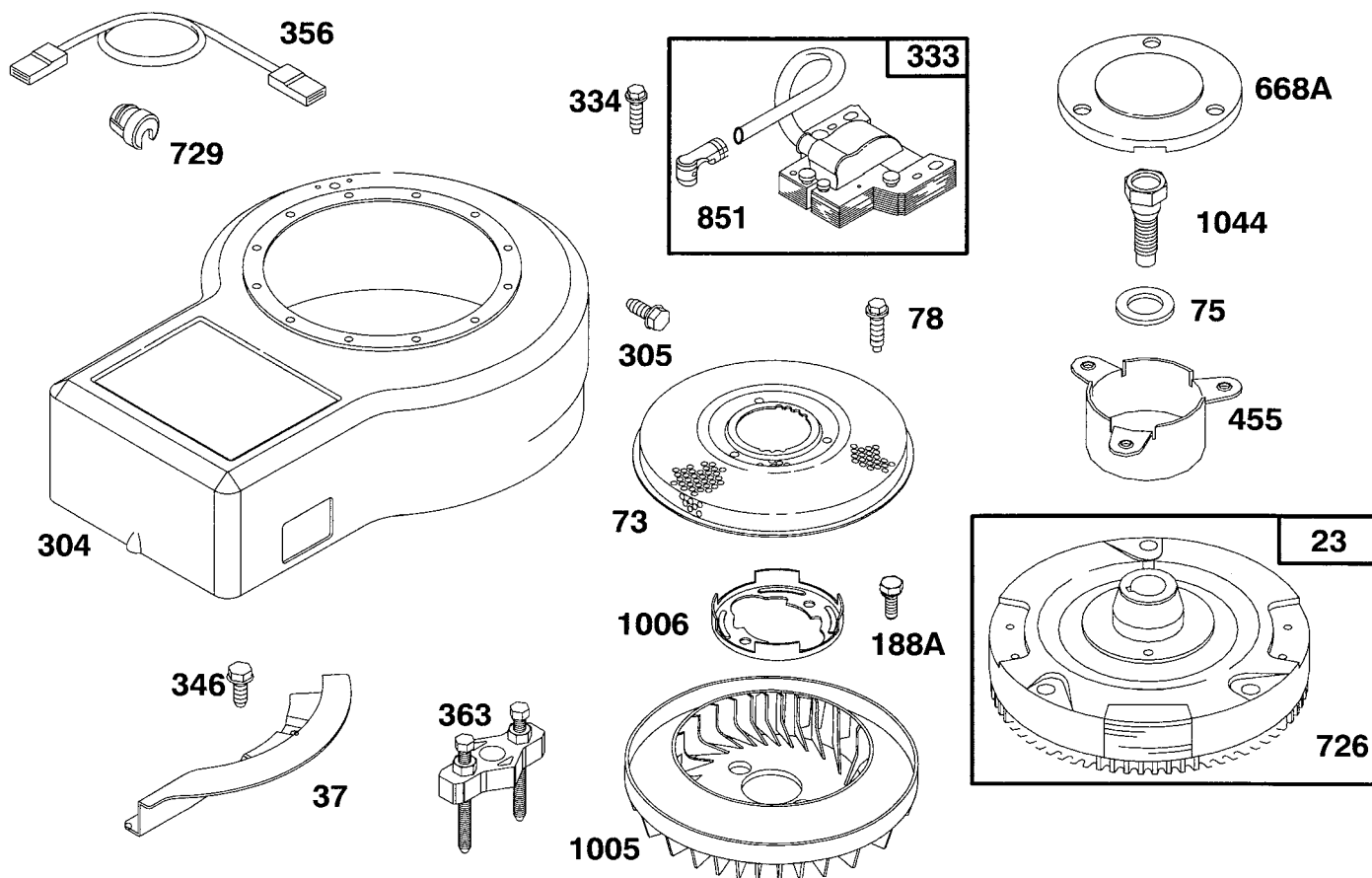
ENGINE BRIGGS & STRATTON MODEL 28M707-0127-01

| Ref. No. | Part No. | Description | No. Used |
|----------|----------|------------------------|----------|
| 182 | 223925 | Bracket-Fuel Tank | 1 |
| 182A | 223866 | Bracket-Fuel Tank | 1 |
| 188 | 94480 | Screw-Sem | 1 |
| 201 | 262767 | Link-Governor | 1 |
| 209 | 260871 | Spring-Governor | 1 |
| 216 | 262766 | Link-Choke | 1 |
| 222 | 495611 | Plate-Governor Control | 1 |
| 232 | 262785 | Spring-Governor Link | 1 |

| Ref. No. | Part No. | Description | No. Used |
|----------|----------|---------------------------|----------|
| 265 | 221535 | Clamp-Casing | 1 |
| 482 | 93621 | Screw-Sem | 1 |
| 527 | 221428 | Clamp | 1 |
| 657 | 93496 | Screw-Sem | 1 |
| 663 | 94620 | Screw-Hex. Head | 1 |
| 683 | 94602 | Screw-Hex. Head | 1 |
| 877 | 393814 | Diode and Connector Assy. | 1 |
| 887 | 391529 | Alternator | 1 |

★ Included in Gasket Set-Part No. 494241.
 ◆ Included in Carburetor Gasket Set-Part No. 494385.

● Included in Carburetor Kit-Part No. 497535.



Assemblies include all parts shown in frames.

ENGINE BRIGGS & STRATTON MODEL 28M707-0127-01

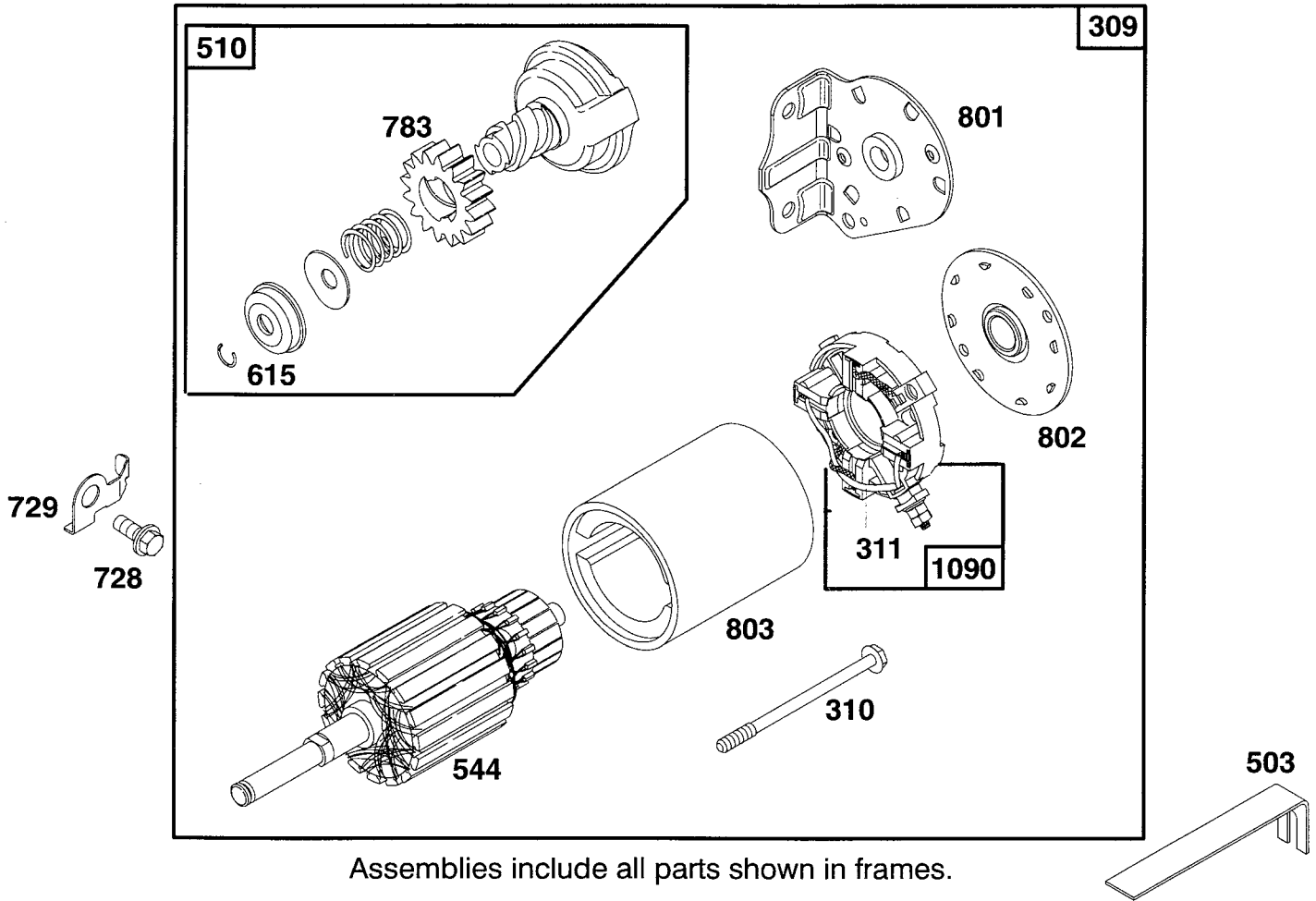
| Ref. No. | Part No. | Description | No. Used |
|----------|----------|------------------|----------|
| 23 | 492326 | Flywheel | 1 |
| 37 | 224502 | Guard-Flywheel | 1 |
| 73 | 224948 | Screen-Rotating | 1 |
| 75 | 224061 | Washer-Spring | 1 |
| 78 | 94626 | Screw-Sem | 1 |
| 188A | 94627 | Screw-Sem | 1 |
| 304 | 496431 | Housing-Blower | 1 |
| 305 | 94786 | Screw-Hex. | 1 |
| 333 | 492341 | Armature-Magneto | 1 |
| 334 | 93381 | Screw-Hex. | 1 |
| 346 | 93705 | Screw-Hex. Head | 1 |

| Ref. No. | Part No. | Description | No. Used |
|----------|----------|--------------------------------------|----------|
| 356 | 494328 | Wire Assembly | 1 |
| 363 | 19203 | Puller-Flywheel | 1 |
| 455 | 222561 | Cup-Screen Mounting | 1 |
| 668A | 280848 | Spacer | 1 |
| 726 | 392134 | Gear-Ring (Includes Mtg Hardware) | 1 |
| 729 | 281159 | Clip-Lead Wire | 1 |
| 851 | 493880 | Terminal-Ignition Cable | 1 |
| 1005 | 281355 | Fan-Flywheel | 1 |
| 1006 | 224413 | Retainer-Fan | 1 |
| 1044 | 94673 | Screw-Shoulder | 1 |

★ Included in Gasket Set-Part No. 494241.

◆ Included in Carburetor Gasket Set-Part No. 494385.

● Included in Carburetor Kit-Part No. 497535.



Assemblies include all parts shown in frames.

ENGINE BRIGGS & STRATTON MODEL 28M707-0127-01

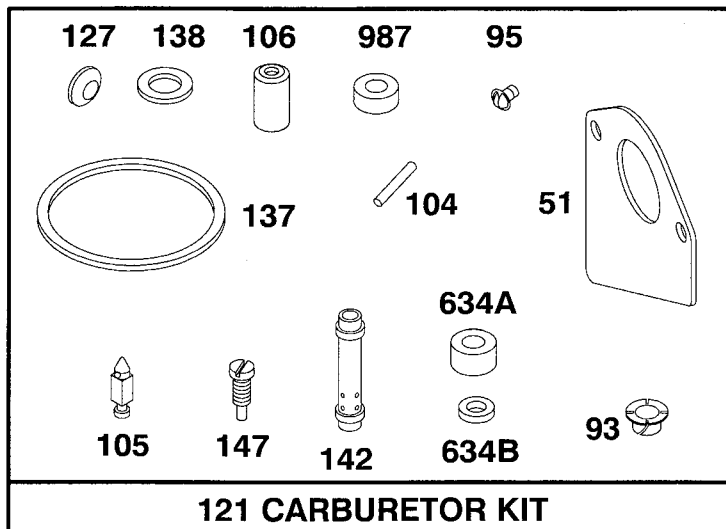
| Ref. No. | Part No. | Description | No. Used |
|----------|----------|------------------|----------|
| 309 | 497595 | Motor-Starter | 1 |
| 310 | 94003 | Bolt-Thru | 1 |
| 311 | 497608 | Brush Set | 1 |
| 503 | 806000 | Strap-Starter | 1 |
| 510 | 497606 | Drive-Starter | 1 |
| 544 | 497603 | Armature-Starter | 1 |
| 615 | 263080 | Retainer | 1 |

| Ref. No. | Part No. | Description | No. Used |
|----------|----------|-----------------|----------|
| 728 | 94627 | Screw-Hex. Head | 1 |
| 729 | 225170 | Clip-Wire | 1 |
| 783 | 280104 | Gear-Starter | 1 |
| 801 | 394856 | Cap-Drive | 1 |
| 802 | 497607 | Plate-Cover | 1 |
| 803 | 497604 | Housing-Starter | 1 |
| 1090 | 497605 | Cap-End | 1 |

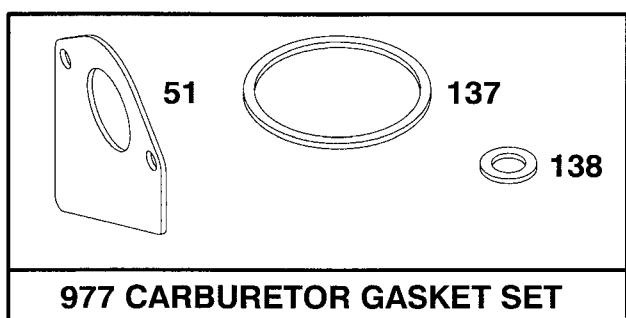
★ Included in Gasket Set-Part No. 494241.

◆ Included in Carburetor Gasket Set-Part No. 494385.

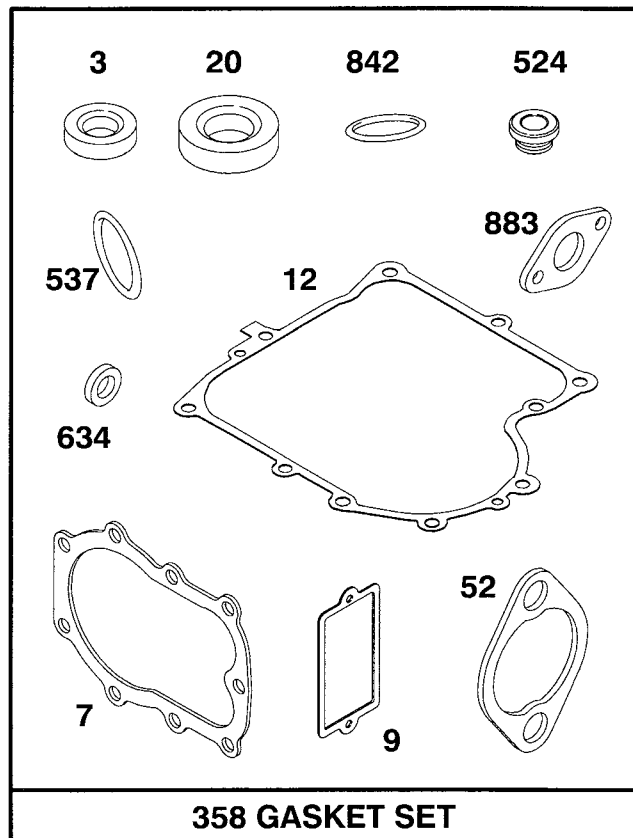
● Included in Carburetor Kit-Part No. 497535.



121 CARBURETOR KIT



977 CARBURETOR GASKET SET



358 GASKET SET

Assemblies include all parts shown in frames.

ENGINE BRIGGS & STRATTON MODEL 28M707-0127-01

| Ref. No. | Part No. | Description | No. Used |
|----------|----------|---|----------|
| ★3 | 391086 | Seal-Oil | 1 |
| ★7 | 271866 | Gasket-Cylinder Head | 1 |
| ★9 | 27803 | Gasket-Valve Cover | 1 |
| ★12 | 271916 | Gasket-Crankcase (.015" Thick) | 1 |
| ★ | 271997 | Gasket-Crankcase (.005" Thick) | 1 |
| ★ | 271996 | Gasket-Crankcase (.009" Thick) | 1 |
| ★20 | 291675 | Seal-Oil | 1 |
| ◆●51 | 272465 | Gasket-Carburetor (Carb. to Manifold) | 1 |
| ★52 | 272554 | Gasket-Carburetor (Manifold to Cylinder) | 1 |
| ●93 | 281346 | Bushing-Throttle Shaft | 1 |
| ●95 | 94098 | Screw-Throttle | 1 |
| ●104 | 231789 | Pin-Float Hinge | 1 |
| ●105 | 231855 | Valve Assy.-Inlet Needle | 1 |
| ●106 | 231854 | Inlet Valve Seat | 1 |

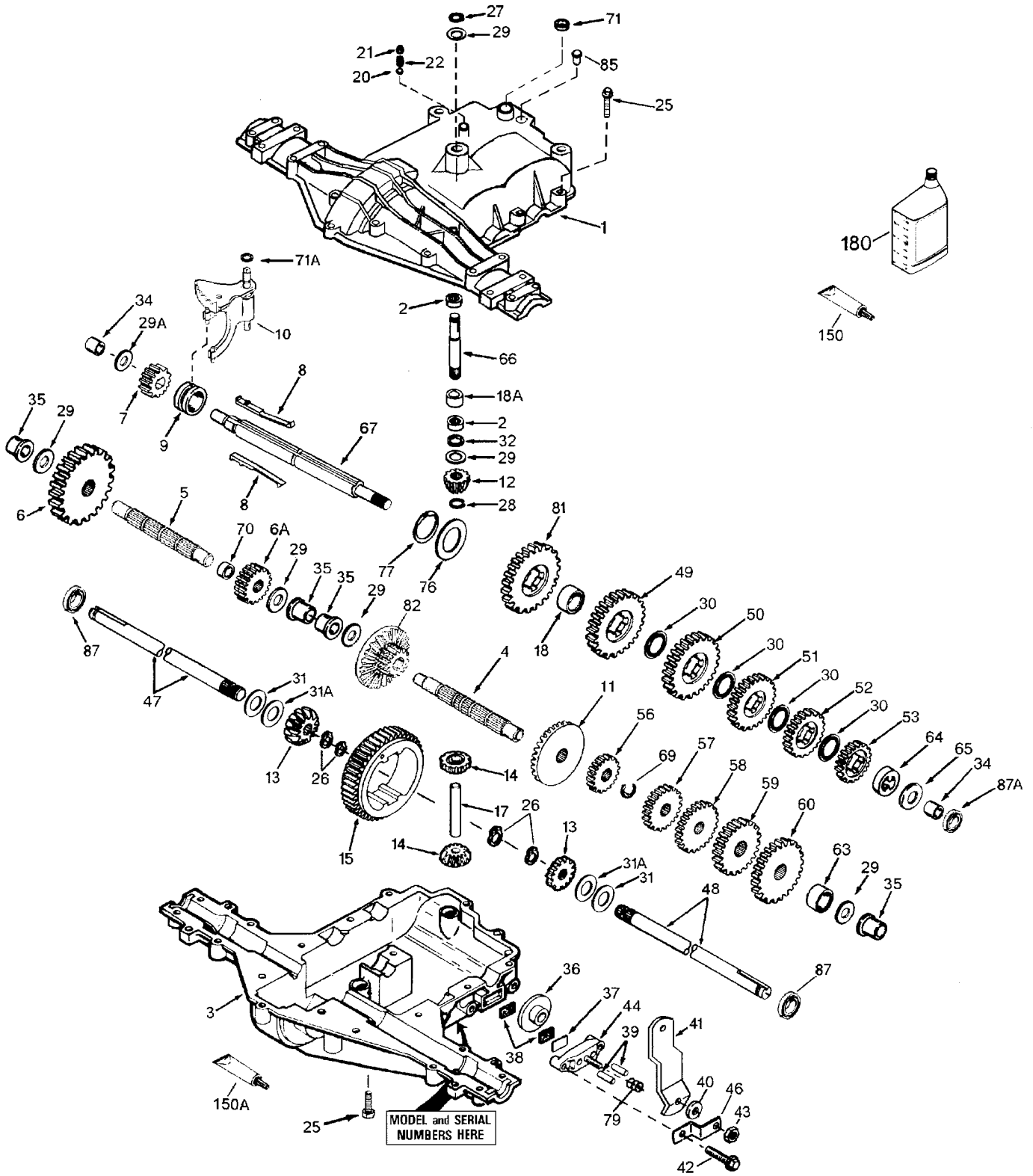
| Ref. No. | Part No. | Description | No. Used |
|----------|----------|----------------------------------|----------|
| 121 | 497535 | Carburetor Kit | 1 |
| ●127 | | Plug-Welch (Sold in Kit Only) | 1 |
| ◆●137 | 281165 | Gasket-Float Bowl | 1 |
| ◆●138 | 281164 | Washer-Float Bowl Screw | 1 |
| ●142 | 494566 | Nozzle-Carburetor | 1 |
| ●147 | 231984 | Pilot-Jet | 1 |
| 358 | 494241 | Gasket Set | 1 |
| ★524 | 281370 | Seal-Fill Tube | 1 |
| ★537 | 281106 | O-Ring-Air Cleaner | 1 |
| ★634 | 491323 | Seal-Governor | 1 |
| ●634A | 281168 | Seal-Choke Shaft | 1 |
| ●634B | 398970 | Washer-Throttle Shaft | 1 |
| ★842 | 270920 | Seal-Oil Fill Cap | 1 |
| ★883 | 272293 | Gasket-Exhaust | 1 |
| 977 | 494385 | Carburetor Gasket Set | 1 |
| ●987 | 281166 | Seal-Throttle Shaft | 1 |

★ Included in Gasket Set-Part No. 494241.

◆ Included in Carburetor Gasket Set-Part No. 494385.

● Included in Carburetor Kit-Part No. 497535.

PEERLESS TRANSAXLE MODEL MST 205-509



PEERLESS TRANSAXLE MODEL MST 205-509

| Ref. No. | Part No. | Description | No. Used |
|----------|----------|--|----------|
| 1 | 772137 | Transaxle Cover | 1 |
| 2 | 780086A | Needle Bearing | 2 |
| 3 | 770123 | Transaxle Case | 1 |
| 4 | 776395 | Countershaft | 1 |
| 5 | 776397 | Output Shaft | 1 |
| 6 | 778331 | Spur Gear (38 teeth) | 1 |
| 6A | 778332 | Spur Gear (15 teeth-steel) | 1 |
| 7 | 778330 | Spur Gear (11 teeth-steel) | 1 |
| 8 | 792136A | Shift Key | 2 |
| 9 | 784352 | Shift Collar | 1 |
| 10 | 784378 | Shift Rod & Fork | 1 |
| 11 | 778334 | Bevel Gear (30 teeth) | 1 |
| 12 | 778309 | Input Bevel Pinion (13 teeth) | 1 |
| 13 | 778327 | Bevel Gear (16 teeth-steel) (Incl. 14) | 2 |
| 14 | 778327 | Bevel Gear (16 teeth-steel) (Incl. 13) | 2 |
| 15 | 778312A | Ring Gear (43 teeth) | 1 |
| 17 | 786139 | Drive Pin | 1 |
| 18 | 786102 | Spacer | 1 |
| 18A | 786175 | Spacer | 1 |
| 20 | 792077 | Ball 5/16" dia | 1 |
| 21 | 792078 | Set Screw | 1 |
| 22 | 792079 | Spring | 1 |
| 25 | 792073 | Screw | 18 |
| 26 | 792125 | Retaining Ring (pkg of 2) | 4 |
| 27 | 792035 | Retaining Ring | 1 |
| 28 | 788040 | Retaining Ring | 1 |
| 29 | 780072 | Washer | 6 |
| 29A | 780160 | Washer | 1 |
| 30 | 780108 | Washer | 4 |
| 31 | 780001 | Washer (.056 wide) (USE AS NEEDED) | 2 |
| 31A | 780195 | Flat Washer (.062 wide) | 2 |
| 32 | 788083 | Oil Seal | 1 |
| 34 | 780194 | Bushing | 2 |
| 35 | 780193 | Flanged Bushing | 4 |
| 36 | 790075 | Brake Disk | 1 |
| 37 | 790007 | Brake Pad Plate | 1 |
| 38 | 799021 | Brake Pad (pkg of 2) | 2 |

| Ref. No. | Part No. | Description | No. Used |
|----------|----------|--------------------------------------|----------|
| 39 | 786026 | Dowel Pin | 2 |
| 40 | 792076A | Flat Washer | 1 |
| 41 | 790080 | Brake Lever | 1 |
| 42 | 792073 | Screw | 2 |
| 43 | 792075 | Locknut | 1 |
| 44 | 790025 | Brake Pad Holder | 1 |
| 46 | 786086 | Brake Lever Bracket | 1 |
| 47 | 774690 | Axle (11-15/16" long) | 1 |
| 48 | 774691 | Axle (16-1/2" long) | 1 |
| 49 | 778356 | Spur Gear (29 teeth-steel) | 1 |
| 50 | 778354 | Spur Gear (23 teeth-steel) | 1 |
| 51 | 778344 | Spur Gear (20 teeth) | 1 |
| 52 | 778350 | Spur Gear (16 teeth-steel) | 1 |
| 53 | 778346 | Spur Gear (15 teeth-steel) | 1 |
| 56 | 778355 | Spur Gear (11 teeth-steel) | 1 |
| 57 | 778353 | Spur Gear (17 teeth-steel) | 1 |
| 58 | 778343 | Spur Gear (20 teeth) | 1 |
| 59 | 778349 | Spur Gear (24 teeth-steel) | 1 |
| 60 | 778345 | Spur Gear (25 teeth) | 1 |
| 63 | 786071 | Countershaft Spacer | 1 |
| 64 | 786072 | Brake Shaft Spacer | 1 |
| 65 | 780189 | Washer | 1 |
| 66 | 776394 | Input Shaft | 1 |
| 67 | 776396 | Shifter & Brake Shaft | 1 |
| 69 | 792170 | Retaining Ring | 1 |
| 70 | 786172 | Spacer | 1 |
| 71 | 788069 | Square Cut Ring | 1 |
| 71A | 788092 | "O" Ring | 1 |
| 76 | 780090 | Washer | 1 |
| 77 | 788078A | Inverted Retaining Ring | 1 |
| 79 | 792144 | Spring | 1 |
| 81 | 778338 | Spur Gear (27 teeth) | 1 |
| 82 | 778333 | Bevel & Spur Gear (30 & 13 teeth) | 1 |
| 85 | 792154 | Pipe Plug | 1 |
| 87 | 788088 | Oil Seal | 2 |
| 87A | 788089 | Oil Seal | 1 |
| 150 | 788093 | Liquid Gasket RTV Silicone | 1 |
| 150A | 788094 | Liquid Gasket Loctite #242 | 1 |
| 180 | 730229A | Gear Oil 80W90 | 1 |

Toro Part Number Index

| Part No. | Page No. | Ref. No. | Qty. | Description |
|----------|----------|----------|------|--------------------------------|
| 7228 | 15 | 11:3 | 2 | Bulb – Light |
| 104047 | 6 | 3:1 | 1 | Bushing |
| 104048 | 6 | 3:2 | 1 | Assembly–Valve |
| 111419 | 4 | 12 | 1 | Washer–Bearing |
| 111686 | 15 | 11:2 | 2 | Socket Assembly |
| 114621 | 3 | 24 | 1 | Decal–Noise (Only On: 71205) |
| 116397 | 15 | 22 | 1 | Relay |
| 614249 | 2 | 38 | 1 | Tie Strap |
| 701178 | 1 | 1 | 2 | Cap–Protector |
| 701756 | 11 | 41 | 2 | Wheel – Deck (Only On: 71205) |
| 702366 | 15 | 6 | 1 | Clip–Wire Retainer |
| 702366 | 15 | 6 | 2 | Clip–Wire Retainer |
| 9266714 | 2 | 36 | 2 | Screw–HWHTF |
| 9266714 | 6 | 38 | 1 | Screw–HWHTF |
| 9266714 | 15 | 9 | 2 | Screw–HWHTF |
| 9266714 | 15 | 13 | 1 | Screw–HWHTF |
| 9267154 | 6 | 16 | 1 | Screw |
| 3–6498 | 4 | 21 | 2 | Washer–Thrust |
| 3–6498 | 4 | 38 | 4 | Washer–Thrust |
| 3–6498 | 5 | 17 | 1 | Washer–Thrust |
| 3–6498 | 5 | 22 | 1 | Washer–Thrust |
| 3–6498 | 9 | 10 | 2 | Washer–Thrust |
| 3–7501 | 5 | 11 | 4 | Washer–Curved |
| 5–4460 | 3 | 4 | 1 | Washer–Fender |
| 5–4460 | 4 | 17 | 1 | Washer–Fender |
| 5–4460 | 6 | 9 | 4 | Washer–Fender |
| 5–4460 | 7 | 5 | 1 | Washer–Fender |
| 5–4460 | 7 | 35 | 1 | Washer–Fender |
| 7–0030 | 12 | 31 | 1 | Shoulder Bolt |
| 7–0030 | 14 | 11 | 2 | Shoulder Bolt |
| 7–0030 | 14 | 18 | 1 | Shoulder Bolt |
| 7–0036 | 9 | 11 | 2 | Key–Square |
| 7–5461 | 8 | 12 | 1 | Spacer–Transmission |
| 26–0671 | 6 | 12 | 1 | Bolt–Blade |
| 26–0671 | 10 | 19 | 2 | Bolt–Blade |
| 26–6700 | 9 | 20 | 1 | Spring – Extension |
| 27–0220 | 5 | 15 | 2 | Screw–Special HWH |
| 27–0220 | 6 | 2 | 2 | Screw–Special HWH |
| 27–0220 | 6 | 27 | 2 | Screw–Special HWH |
| 27–8890 | 7 | 1 | 1 | Spring – Pedal Return |
| 28–0540 | 2 | 6 | 2 | Bolt–Shoulder |
| 28–2480 | 4 | 28 | 2 | Washer–Flat |
| 28–2480 | 9 | 12 | 2 | Washer–Flat |
| 28–8080 | 15 | 1 | 1 | Boot–Battery Terminal |
| 37–8770 | 3 | 1 | 2 | Bolt–Shldr |
| 37–8770 | 3 | 2 | 2 | Bolt–Shldr |
| 37–8770 | 7 | 31 | 1 | Bolt–Shldr |
| 38–1420 | 15 | 5 | 1 | Switch–Seat |
| 38–7820 | 10 | 6 | 4 | Bearing–Ball |
| 44–8110 | 15 | 4 | 1 | Battery Cable –Neg |
| 46–6290 | 13 | 21 | 1 | O–Ring |
| 46–8090 | 2 | 13 | 4 | Screw–Tapping |
| 46–8090 | 2 | 17 | 3 | Screw–Tapping |
| 46–8091 | 2 | 3 | 2 | Screw–Tapping |
| 46–8091 | 2 | 10 | 1 | Screw–Tapping |
| 47–2963 | 6 | 4 | 1 | Fuel Line |
| 52–2891 | 4 | 11 | 2 | Bushing – Steering Links |
| 55–4300 | 11 | 32 | 2 | Decal–Warning (Only On: 71185) |
| 55–9321 | 8 | 5 | 1 | Cable–Clutch |
| 56–2540 | 15 | 29 | 1 | Tube–Vent Use w/80–2600 |
| 56–6591 | 11 | 40 | 2 | Wheel Bolt (Only On: 71205) |
| 56–9830 | 12 | 2:2 | 2 | Brake Pad |

*Not Illustrated

Toro Part Number Index (cont.)

| Part No. | Page No. | Ref. No. | Qty. | Description |
|------------|----------|----------|------|---|
| 57-4360 | 10 | 1 | 1 | Pivot Post – Rear |
| 57-4380 | 10 | 26 | 1 | Rod – Hinge Deflector |
| 57-4700 | 10 | 15 | 2 | Blade – 19.32" (Only On: 71205) |
| 57-6950 | 10 | 27 | 1 | Spring – Torsion Deflector |
| 61-9780 | 4 | 26 | 2 | Hubcap |
| 61-9780 | 9 | 14 | 2 | Hubcap |
| 61-9980 | 13 | 8 | 2 | Screw – Adjusting |
| 62-3661 | 10 | 8 | 2 | Spacer – Bearing |
| 63-8360 | 15 | 25 | 1 | Key – Ignition |
| 65-2920 | 7 | 20 | 1 | Pad – Pedal |
| 65-7210 | 14 | 23 | 1 | Spacer |
| 66-0120 | 6 | 1:1 | 1 | Knob |
| 67-0710 | 12 | 33 | 2 | Ball – Swivel |
| 68-3650 | 11 | 33 | 1 | Decal – Danger (Only On: 71185) |
| 68-3660 | 11 | 31 | 1 | Decal – Shield Danger (Only On: 71185) |
| 76-1340 | 1 | 32 | 1 | Decal – USA (Only On: 71185) |
| 76-2160 | 10 | 5 | 4 | Plate – Kicker (Only On: 71185) |
| 79-1600-03 | 10 | 23 | 1 | Wa – Baffle (Only On: 71185) |
| 79-1640-03 | 10 | 11 | 1 | Wa – Baffle (Only On: 71185) |
| 79-3061 | 10 | 15 | 2 | Blade – 19.32 Recycler (Only On: 71185) |
| 79-3140 | 11 | 35 | 1 | Decal – Danger (Only On: 71185) |
| 80-0510-03 | 10 | 17 | 2 | Stiffener – Blade (Only On: 71185) |
| 80-2240 | 15 | 31 | 1 | Plate – Name Grille |
| 80-2600 | 15 | 3 | 1 | Battery – 7 Plate |
| 80-4341 | 10 | 14 | 2 | Shaft – Spindle |
| 80-4360 | 10 | 13 | 2 | Shield – Bearing |
| 80-4380 | 10 | 12 | 2 | Spacer – Hardened |
| 80-6990 | 13 | 9 | 4 | Washer – Hardened |
| 80-6990 | 14 | 8 | 4 | Washer – Hardened |
| 84-5610 | 7 | 8 | 1 | Guide – Cable |
| 84-5610 | 8 | 25 | 1 | Guide – Cable |
| 88-0890 | 4 | 37 | 1 | Grip – Parking Brake |
| 88-3840 | 1 | 28 | 1 | Body – Rear |
| 88-3850 | 5 | 1 | 1 | Steering Wheel |
| 88-3870 | 5 | 1:2 | 1 | Cover – Steering Wheel |
| 88-3880 | 6 | 3 | 1 | Gas Tank Assembly |
| 88-3930-03 | 2 | 16 | 1 | Shield – Heat |
| 88-3940-03 | 1 | 5 | 1 | Panel – Rear |
| 88-3950 | 3 | 25 | 1 | Seat |
| 88-3960 | 15 | 12 | 1 | Lense – Headlights |
| 88-3970 | 15 | 11 | 1 | Reflector – Lamp |
| 88-3980 | 6 | 31 | 1 | Gas Cap ASM |
| 88-4020 | 13 | 7 | 1 | Belt Guide – Deck |
| 88-4030 | 13 | 2 | 1 | Belt Guide – Deck |
| 88-4040 | 15 | 30 | 1 | Battery Box |
| 88-4050 | 2 | 12 | 1 | Duct – Hood Air |
| 88-4070 | 4 | 29:2 | 2 | Tire 15x6.00-6 |
| 88-4090 | 9 | 9:2 | 2 | Tire 18x9.50-8 |
| 88-4140 | 2 | 23 | 2 | Nut – Wedge |
| 88-4160 | 2 | 24 | 2 | Clamp – Pivot Rod |
| 88-4170 | 2 | 20 | 1 | Rod – Pivot |
| 88-4180 | 5 | 5 | 1 | Button – Release |
| 88-4190 | 5 | 4 | 1 | Bushing – Sliding |
| 88-4210 | 5 | 19 | 1 | Bushing – Stationary |
| 88-4230 | 14 | 13 | 2 | Trunnion – HOC |
| 88-4300 | 9 | 9 | 2 | Rear Wheel & Tire ASM |
| 88-4320 | 15 | 18 | 1 | Harness – Wire |
| 88-4340 | 6 | 1 | 1 | Throttle Control ASM |
| 88-4350 | 6 | 30 | 1 | Cable ASM – Throttle |
| 88-4370 | 4 | 29:1 | 2 | Rim ASM – 15" Front |
| 88-4390 | 9 | 9:1 | 2 | Rim ASM – 18" Rear |
| 88-4400 | 4 | 29:4 | 2 | Bearing – Wheel |

*Not Illustrated

Toro Part Number Index (cont.)

| Part No. | Page No. | Ref. No. | Qty. | Description |
|------------|----------|----------|------|--|
| 88-4410 | 6 | 20 | 1 | Gasket - Muffler |
| 88-4430 | 10 | 29 | 1 | Recycler Cover ASM (Only On: 71185) |
| 88-4510 | 10 | 7 | 2 | Spindle - Diecast Alum. |
| 88-4590 | 12 | 1 | 2 | Bolt-Shoulder |
| 88-4620-03 | 1 | 11 | 1 | Bracket - Idler Pivot |
| 88-4630-03 | 1 | 24 | 1 | Plate - Engine Mounting |
| 88-4670 | 4 | 9 | 1 | Bushing - Eccentric |
| 88-4730 | 14 | 16 | 2 | Clamp - HOC Pivot |
| 88-4810 | 7 | 13 | 1 | Clamp - Shift Pivot |
| 88-4810 | 8 | 4 | 2 | Clamp - Shift Pivot |
| 88-4820-03 | 3 | 11 | 2 | Bracket - Seat Hinge |
| 88-4830 | 4 | 34 | 1 | Link - Drag |
| 88-4840 | 9 | 4 | 1 | Pulley - Transmission |
| 88-4870-03 | 12 | 32 | 1 | Arm - Idler |
| 88-4880 | 15 | 17 | 1 | Spacer - Microswitch |
| 88-4890 | 5 | 10 | 1 | Spring - Leaf |
| 88-4910-03 | 3 | 3 | 1 | Support - Seat |
| 88-4960-03 | 1 | 17 | 1 | Shield - Exh. Pipe |
| 88-4980 | 12 | 23 | 1 | Bushing - Idler Arm |
| 88-5000-03 | 7 | 21 | 1 | Pedal - Clutch/Brake |
| 88-5010 | 4 | 7 | 1 | Spacer - Steering Rack |
| 88-5020-03 | 3 | 19 | 1 | Plate - Shift Gate |
| 88-5030-03 | 3 | 9 | 1 | Gate - HOC |
| 88-5070 | 12 | 29 | 1 | Belt Guide - Idler |
| 88-5110-03 | 14 | 22 | 1 | Pivot W.a. (H.o.c.) |
| 88-5120-03 | 1 | 21 | 1 | Support - Front Axle |
| 88-5130-03 | 4 | 5 | 1 | Bracket - Steering Rack |
| 88-5150 | 5 | 16 | 1 | Bushing - Flange |
| 88-5160 | 3 | 21 | 1 | Cover - Shift Gate (Only On: 71185) |
| 88-5170 | 3 | 7 | 1 | Cover - HOC (Only On: 71185) |
| 88-5180-01 | 5 | 8 | 1 | Bracket - Backup |
| 88-5190-03 | 2 | 25 | 1 | Lever W.a. - Deck Engage |
| 88-5200 | 4 | 10 | 1 | Steering Rack W.a. |
| 88-5220 | 3 | 17 | 1 | Foot Mat |
| 88-5240 | 3 | 16 | 1 | Foot Mat |
| 88-5260-03 | 1 | 10 | 2 | Bracket-Transaxle Mounti |
| 88-5270 | 7 | 29 | 1 | Rod - Clutch/Brake |
| 88-5330 | 12 | 21 | 2 | Pulley - Deck |
| 88-5340 | 8 | 13 | 1 | Lever - Shift (Transaxle |
| 88-5380 | 4 | 32 | 1 | Tie Rod - Steering |
| 88-5450 | 14 | 12 | 2 | Rod - Hanger |
| 88-5470 | 4 | 23 | 2 | Spacer - Front Axle |
| 88-5500 | 7 | 15 | 1 | Rod - Pedal Pivot |
| 88-5510 | 4 | 35 | 1 | Rod-Parking Brake |
| 88-5520-03 | 4 | 36 | 1 | Bracket-Parking Brake |
| 88-5540 | 12 | 26 | 1 | Rod -RH Deck Brake |
| 88-5550 | 12 | 3 | 1 | Rod -LH Deck Brake |
| 88-5560 | 7 | 32 | 1 | Belt Guide - Idler |
| 88-5570-03 | 14 | 6 | 2 | Link-Adjusting HOC |
| 88-5630 | 12 | 30 | 1 | Pulley - Idler |
| 88-5680 | 7 | 33 | 1 | Idler Pulley |
| 88-5740-03 | 11 | 42 | 1 | Bracket-Deck Wheel RH (Only On: 71205) |
| 88-5900 | 14 | 3 | 1 | Link - HOC |
| 88-5910 | 12 | 5 | 2 | Spring - Torsion |
| 88-5930 | 8 | 16 | 1 | Keeper - Cable |
| 88-5970 | 12 | 10 | 1 | Hook - Return Spring |
| 88-6040-03 | 2 | 18 | 1 | Bracket - Hinge |
| 88-6050-03 | 2 | 7 | 1 | Bracket - Hinge |
| 88-6070 | 7 | 30 | 1 | Arm -Idler |
| 88-6090 | 5 | 20 | 1 | Coupling - Steering |
| 88-6100 | 12 | 2 | 2 | ASM. - Deck Brake |
| 88-6130 | 12 | 6 | 1 | Spring - Deck Engage |

*Not Illustrated

Toro Part Number Index (cont.)

| Part No. | Page No. | Ref. No. | Qty. | Description |
|------------|----------|----------|------|--|
| 88-6220 | 1 | 4 | 2 | Spring - Compression |
| 88-6250 | 12 | 18 | 1 | V-Belt |
| 88-6270 | 9 | 5 | 1 | V-Belt |
| 88-6290-03 | 1 | 18 | 1 | Shield - Muffler |
| 88-6300 | 5 | 13 | 1 | Shaft - Steering |
| 88-6330 | 7 | 7 | 1 | Spring - Extension |
| 88-6370 | 5 | 14 | 1 | Shaft W.a. - Steering |
| 88-6460 | 14 | 17 | 1 | Spring - Extension |
| 88-6480 | 17 | 6 | 1 | Muffler W.a. |
| 88-9830 | 15 | 24 | 1 | Switch-Ignition |
| 88-9932 | 15 | 19 | 2 | Switch - Micro |
| 92-2460 | 2 | 30 | 1 | Decal - Ignition/Lights (Only On: 71185) |
| 92-2461 | 2 | 31 | 1 | Decal - Throttle (Only On: 71185) |
| 92-2462 | 2 | 32 | 1 | Decal - Deck Engage (Only On: 71185) |
| 92-2467 | 2 | 34 | 1 | Decal - Hood Right |
| 92-2468 | 2 | 33 | 1 | Decal - Hood Left |
| 92-5730 | 2 | 31 | 1 | Decal - Throttle (Only On: 71205) |
| 92-5731 | 2 | 30 | 1 | Decal-Ign/Lights (Only On: 71205) |
| 92-5748 | 2 | 14:1 | 1 | Decal - Air Duct |
| 92-5782 | 2 | 15 | 1 | Patch - Heat Tape |
| 92-7889-03 | 4 | 30 | 1 | Spindle Wa-RH |
| 92-7890-03 | 4 | 18 | 1 | Spindle Wa-LH |
| 92-8650 | 2 | 14 | 1 | Hood-Toro |
| 92-8757 | 17 | 9 | 1 | Decal - Engine |
| 92-8875 | 15 | 26 | 1 | Switch-Rocker |
| 92-8934 | 12 | 8 | 1 | Spring - Extension |
| 92-9520 | 11 | 36 | 1 | Decal-Deck (Only On: 71185) |
| 92-9674 | 3 | 5 | 1 | Knob-Studded |
| 92-9845 | 15 | 8 | 1 | Solenoid |
| 93-0231 | 11 | 30:4 | 4 | Screw-Plastite (Only On: 71205) |
| 93-0303 | 2 | 1 | 1 | Tower-Steering Toro |
| 93-0317 | 10 | 30 | 1 | ASM-Deflector (Only On: 71185) |
| 93-0539 | 15 | 15 | 4 | Screw-PPH |
| 93-1122 | 10 | 28 | 1 | Decal-Danger (Only On: 71185) |
| 93-1122 | 11 | 30:1 | 1 | Decal-Danger (Only On: 71185) |
| 93-3240 | 15 | 20 | 1 | Seal-Plunger |
| 93-3809 | 6 | 37 | 1 | Bracket-Ground |
| 93-3810 | 15 | 23 | 1 | Wire Harness |
| 93-3822-03 | 14 | 1 | 1 | Lever-HOC |
| 93-3849 | 2 | 37 | 1 | Brkt-Cable |
| 93-3854 | 6 | 7 | 3 | Belt Guide - Engine |
| 93-3855 | 6 | 24 | 1 | Belt Guide - R.h. |
| 93-3881-03 | 13 | 4 | 1 | Pan - Front Deck Suspens |
| 93-3896-03 | 11 | 46 | 1 | Bracket-Deck Wheel LH (Only On: 71205) |
| 93-4144 | 1 | 35 | 1 | Decal-Rear Body |
| 93-4145 | 2 | 29 | 2 | Decal - Tower |
| 93-6673 | 2 | 32 | 1 | Decal - Deck Engage (Only On: 71205) |
| 93-6674 | 11 | 32 | 2 | Decal-Warninig (Only On: 71205) |
| 93-6675 | 1 | 33 | 1 | Decal-Instruct (Only On: 71205) |
| 93-6677 | 11 | 31 | 1 | Decal - Shield Danger (Only On: 71205) |
| 93-6679 | 11 | 37 | 1 | Decal - Belt Routing |
| 93-7009 | 11 | 33 | 1 | Decal-Deflector Danger (Only On: 71205) |
| 93-7010 | 10 | 28 | 2 | Decal-Danger (Only On: 71205) |
| 93-7010 | 11 | 30:1 | 1 | Decal-Danger (Only On: 71205) |
| 93-7656 | 3 | 21 | 1 | Cover - Shift Gate (Only On: 71205) |
| 93-7657 | 3 | 7 | 1 | Cover - HOC (Only On: 71205) |
| 93-7695 | 10 | 30 | 1 | ASM.-38" Deflector (Only On: 71205) |
| 93-7696 | 11 | 30:3 | 2 | Kicker - Ce (Only On: 71205) |
| 93-8741 | 15 | 11:1 | 1 | Reflector - Headlight |
| 93-9847 | 13 | 12 | 2 | Spacer |
| 94-1237 | 1 | 33 | 1 | Decal-Instruction (Only On: 71185) |
| 94-1949-01 | 10 | 3 | 1 | Deck Wa-38" |

*Not Illustrated

Toro Part Number Index (cont.)

| Part No. | Page No. | Ref. No. | Qty. | Description |
|------------|----------|----------|------|---------------------------|
| 94-1951 | 6 | 39 | 1 | Latch-Hood |
| 94-1952 | 6 | 28 | 1 | Rod-Gas Tank |
| 94-1962-03 | 4 | 31 | 1 | Front Axle Wa |
| 94-1963 | 6 | 11 | 1 | Pulley Assy-Engine |
| 94-1968 | 8 | 20 | 1 | Lever-Shift Pivot |
| 94-1969 | 9 | 19 | 2 | Strap-Torque |
| 94-1970-03 | 13 | 14 | 1 | Bracket-Deck Susp |
| 94-1971-03 | 13 | 6 | 1 | Bracket-Deck Susp |
| 94-1980 | 2 | 39 | 2 | Foam-Hood |
| 94-1984 | 2 | 11 | 1 | Pin-Latch |
| 94-1991-03 | 8 | 1 | 1 | Shift Lever Wa |
| 94-1993-03 | 8 | 8 | 1 | Shift Pivot Wa |
| 94-1997 | 8 | 26 | 1 | Bushing-Shift Lever |
| 94-1998-03 | 1 | 25 | 1 | Frame Rail-RH |
| 94-1999-03 | 1 | 13 | 1 | Frame Rail-LH |
| 94-4293 | 2 | 35 | 1 | Cable ASM-Deck Engage |
| 94-4294 | 7 | 2 | 1 | Spring-Brake |
| 94-4926 | 7 | 36 | 1 | Bracket-Belt Guide |
| 94-5362 | 15 | 33 | 1 | Boot-Terminal Insulator |
| 94-5431 | 8 | 9 | 1 | Link-Shift |
| 94-5433 | 7 | 6 | 1 | Bracket-Belt Guide |
| 94-5565 | 2 | 2 | 1 | Knob - Control |
| 94-5565 | 8 | 24 | 1 | Knob - Control |
| 94-5565 | 14 | 24 | 1 | Knob - Control |
| 94-5823 | 13 | 5 | 2 | Bolt-Shoulder |
| 94-6022 | 9 | 7 | 1 | Transaxle - Peerless 931 |
| 95-2747 | 13 | 20 | 1 | Fitting-Washout |
| 95-3270 | 13 | 23 | 1 | Connector - Hose |
| 218-461 | 15 | 24:2 | 1 | Nut-HH (F/W Sw) |
| 232-27 | 4 | 29:3 | 2 | Valve Stem & Cap Assembly |
| 232-27 | 9 | 9:3 | 2 | Valve Stem & Cap Assembly |
| 232-39 | 4 | 29:6 | 2 | Tube-Inner 15x6-6 |
| 232-41 | 9 | 9:4 | 2 | Tube-Inner 18x9.50-8 |
| 2412-98 | 6 | 5 | 2 | Clamp-Hose |
| 302-5 | 4 | 29:5 | 2 | Fitting-Grease |
| 302-26 | 4 | 8 | 1 | Fitting-Grease |
| 321-2 | 2 | 5 | 4 | Screw-HH |
| 321-4 | 5 | 7 | 2 | Screw-HH |
| 321-4 | 15 | 2 | 2 | Screw-HH |
| 321-4 | 17 | 7 | 1 | Screw-HH |
| 321-4 | 10 | 9 | 2 | Screw-HH (Only On: 71185) |
| 321-9 | 5 | 21 | 2 | Screw-HH |
| 321-15 | 11 | 38 | 2 | Screw-HH (Only On: 71185) |
| 322-3 | 1 | 7 | 4 | Screw-HH |
| 322-3 | 1 | 9 | 4 | Screw-HH |
| 322-3 | 1 | 20 | 6 | Screw-HH |
| 322-3 | 1 | 23 | 2 | Screw-HH |
| 322-3 | 1 | 26 | 4 | Screw-HH |
| 322-3 | 1 | 27 | 2 | Screw-HH |
| 322-3 | 2 | 28 | 2 | Screw-HH |
| 322-3 | 3 | 10 | 4 | Screw-HH |
| 322-3 | 7 | 3 | 1 | Screw-HH |
| 322-3 | 7 | 14 | 2 | Screw-HH |
| 322-3 | 8 | 6 | 2 | Screw-HH |
| 322-3 | 8 | 21 | 1 | Screw-HH |
| 322-3 | 9 | 21 | 2 | Screw-HH |
| 322-3 | 14 | 19 | 4 | Screw-HH |
| 322-3 | 11 | 44 | 6 | Screw-HH (Only On: 71205) |
| 322-5 | 1 | 2 | 2 | Screw-HH |
| 322-5 | 6 | 10 | 2 | Screw-HH |
| 322-5 | 12 | 20 | 2 | Screw-HH |
| 322-6 | 7 | 4 | 1 | Screw-HH |

*Not Illustrated

Toro Part Number Index (cont.)

| Part No. | Page No. | Ref. No. | Qty. | Description |
|----------|----------|----------|------|-----------------------------|
| 322-9 | 6 | 6 | 3 | Screw-HH |
| 322-9 | 14 | 2 | 1 | Screw-HH |
| 322-12 | 9 | 15 | 4 | Screw HH |
| 322-12 | 13 | 16 | 2 | Screw HH |
| 323-5 | 10 | 24 | 2 | Screw-HH (Only On: 71185) |
| 323-9 | 13 | 13 | 2 | Screw-HH |
| 323-10 | 8 | 2 | 1 | Screw-HH |
| 323-11 | 7 | 34 | 1 | Screw |
| 323-12 | 12 | 27 | 1 | Screw |
| 323-13 | 4 | 2 | 2 | Screw-HH |
| 329-23 | 8 | 10 | 1 | Screw |
| 3219-6 | 12 | 22 | 2 | Nut-Hex |
| 3229-1 | 13 | 22 | 2 | Bolt-CARR. |
| 3230-1 | 4 | 6 | 4 | Screw-CARR |
| 3230-1 | 10 | 21 | 1 | Screw-CARR (Only On: 71185) |
| 3230-3 | 4 | 4 | 1 | Screw-CARR |
| 3230-3 | 7 | 22 | 1 | Screw-CARR |
| 3230-3 | 8 | 17 | 1 | Screw-CARR |
| 3231-4 | 4 | 3 | 1 | Bolt-CARR |
| 3253-3 | 8 | 11 | 1 | Washer-Lock |
| 3253-3 | 17 | 8 | 1 | Washer-Lock |
| 3253-4 | 6 | 21 | 2 | Washer-Lock |
| 3253-22 | 6 | 13 | 1 | Washer-Lock |
| 3254-5 | 15 | 24:1 | 1 | Washer-Lock(F/W Switch) |
| 3255-7 | 15 | 14 | 1 | Washer-Lock |
| 3255-8 | 6 | 23 | 1 | Washer-Lock |
| 3256-1 | 13 | 19 | 2 | Washer-Flat |
| 3256-22 | 5 | 6 | 2 | Washer-Flat |
| 3256-22 | 13 | 10 | 2 | Washer-Flat |
| 3256-23 | 1 | 3 | 2 | Washer-Flat |
| 3256-23 | 1 | 22 | 2 | Washer-Flat |
| 3256-23 | 2 | 27 | 2 | Washer-Flat |
| 3256-23 | 7 | 9 | 2 | Washer-Flat |
| 3256-23 | 7 | 23 | 1 | Washer-Flat |
| 3256-23 | 8 | 14 | 1 | Washer-Flat |
| 3256-23 | 8 | 22 | 1 | Washer-Flat |
| 3256-23 | 9 | 16 | 4 | Washer-Flat |
| 3256-23 | 9 | 18 | 4 | Washer-Flat |
| 3256-24 | 2 | 21 | 2 | Washer-Flat |
| 3256-24 | 4 | 20 | 2 | Washer-Flat |
| 3256-24 | 4 | 24 | 2 | Washer-Flat |
| 3256-24 | 12 | 28 | 2 | Washer-Flat |
| 3256-24 | 14 | 5 | 2 | Washer-Flat |
| 3256-24 | 14 | 10 | 2 | Washer-Flat |
| 3256-25 | 4 | 13 | 4 | Washer-Flt |
| 3256-25 | 6 | 14 | 1 | Washer-Flt |
| 3256-25 | 8 | 19 | 1 | Washer-Flt |
| 3256-26 | 7 | 18 | 1 | Washer-Flt |
| 3256-68 | 12 | 19 | 1 | Washer-Flt |
| 3257-23 | 9 | 3 | 1 | Key-Woodruff |
| 3272-10 | 4 | 14 | 2 | Pin-Cotter |
| 3272-10 | 4 | 19 | 2 | Pin-Cotter |
| 3272-10 | 7 | 24 | 1 | Pin-Cotter |
| 3272-12 | 4 | 27 | 2 | Pin-Cotter |
| 3274-10 | 6 | 22 | 2 | Screw-Sckt Hd |
| 3290-282 | 3 | 8 | 2 | Pop Rivet |
| 3290-282 | 3 | 20 | 2 | Pop Rivet |
| 3290-282 | 12 | 2:3 | 4 | Pop Rivet |
| 3290-299 | 15 | 32 | 1 | Nut - Tinnerman |
| 3290-307 | 2 | 19 | 2 | Pin-Cotter |
| 3290-307 | 14 | 4 | 1 | Pin-Cotter |
| 3290-307 | 14 | 7 | 4 | Pin-Cotter |

*Not Illustrated

Toro Part Number Index (cont.)

| Part No. | Page No. | Ref. No. | Qty. | Description |
|-----------|----------|----------|------|---------------------------|
| 3290-307 | 14 | 9 | 2 | Pin-Cotter |
| 3290-354 | 15 | 16 | 2 | Nut-Speed |
| 3290-465 | 10 | 18 | 2 | Washer-Spring |
| 3290-479 | 3 | 6 | 4 | Fastener-Panel |
| 3290-479 | 3 | 15 | 12 | Fastener-Panel |
| 3290-479 | 3 | 22 | 4 | Fastener-Panel |
| 3290-496 | 2 | 8 | 2 | Nut - Retained |
| 3296-3 | 8 | 7 | 2 | Nut-Lock |
| 3296-16 | 13 | 18 | 2 | Nut-Lock |
| 3296-23 | 13 | 17 | 2 | Nut-Lock |
| 3296-29 | 1 | 6 | 2 | Nut-Lock |
| 3296-29 | 1 | 8 | 4 | Nut-Lock |
| 3296-29 | 1 | 12 | 4 | Nut-Lock |
| 3296-29 | 1 | 14 | 2 | Nut-Lock |
| 3296-29 | 1 | 15 | 6 | Nut-Lock |
| 3296-29 | 1 | 16 | 2 | Nut-Lock |
| 3296-29 | 1 | 29 | 4 | Nut-Lock |
| 3296-29 | 2 | 26 | 2 | Nut-Lock |
| 3296-29 | 3 | 12 | 6 | Nut-Lock |
| 3296-29 | 4 | 1 | 4 | Nut-Lock |
| 3296-29 | 4 | 16 | 1 | Nut-Lock |
| 3296-29 | 6 | 29 | 4 | Nut-Lock |
| 3296-29 | 7 | 10 | 2 | Nut-Lock |
| 3296-29 | 7 | 19 | 1 | Nut-Lock |
| 3296-29 | 7 | 26 | 2 | Nut-Lock |
| 3296-29 | 7 | 27 | 1 | Nut-Lock |
| 3296-29 | 8 | 3 | 2 | Nut-Lock |
| 3296-29 | 8 | 15 | 1 | Nut-Lock |
| 3296-29 | 8 | 23 | 1 | Nut-Lock |
| 3296-29 | 9 | 1 | 4 | Nut-Lock |
| 3296-29 | 9 | 17 | 2 | Nut-Lock |
| 3296-29 | 12 | 25 | 2 | Nut-Lock |
| 3296-29 | 13 | 15 | 2 | Nut-Lock |
| 3296-29 | 14 | 14 | 4 | Nut-Lock |
| 3296-29 | 14 | 15 | 2 | Nut-Lock |
| 3296-29 | 14 | 20 | 1 | Nut-Lock |
| 3296-29 | 14 | 21 | 1 | Nut-Lock |
| 3296-29 | 10 | 20 | 1 | Nut-Lock (Only On: 71185) |
| 3296-29 | 11 | 45 | 6 | Nut-Lock (Only On: 71205) |
| 3296-39 | 4 | 15 | 1 | Nut-Lock |
| 3296-39 | 4 | 25 | 2 | Nut-Lock |
| 3296-39 | 8 | 18 | 1 | Nut-Lock |
| 3296-39 | 10 | 22 | 1 | Nut-Lock |
| 3296-39 | 12 | 24 | 1 | Nut-Lock |
| 3296-39 | 13 | 3 | 2 | Nut-Lock |
| 3296-39 | 10 | 25 | 2 | Nut-Lock (Only On: 71185) |
| 3296-39 | 11 | 43 | 2 | Nut-Lock (Only On: 71205) |
| 3296-42 | 2 | 4 | 4 | Nut-Lock |
| 3296-42 | 5 | 9 | 2 | Nut-Lock |
| 3296-42 | 5 | 12 | 2 | Nut-Lock |
| 3296-42 | 12 | 4 | 2 | Nut-Lock |
| 3296-42 | 13 | 11 | 2 | Nut-Lock |
| 3296-42 | 10 | 10 | 2 | Nut-Lock (Only On: 71185) |
| 3296-58 | 12 | 14 | 3 | Nut-Lock |
| 3296-59 | 7 | 28 | 2 | Nut-Lock |
| 32103-22 | 15 | 28 | 2 | Nut-Wing |
| 32104-76 | 1 | 19 | 1 | Screw-Self TAP |
| 32104-76 | 13 | 1 | 5 | Screw-Self TAP |
| 32111-7 | 11 | 39 | 2 | Nut-Cap (Only On: 71185) |
| 32120-64 | 9 | 2 | 1 | Ring-Retaining |
| 32121-111 | 5 | 2 | 1 | Pin-Spiral |
| 32128-43 | 2 | 22 | 2 | Nut-Whiz Flg |

*Not Illustrated

Toro Part Number Index (cont.)

| Part No. | Page No. | Ref. No. | Qty. | Description |
|-----------|----------|----------|------|------------------------------|
| 32144-14 | 9 | 22 | 2 | Screw-HWH |
| 32144-32 | 15 | 10 | 2 | Screw-Plastic |
| 32144-41 | 10 | 2 | 8 | Screw-HWHTF |
| 32144-111 | 10 | 4 | 8 | Screw - PPH (Only On: 71185) |
| 32144-112 | 6 | 40 | 2 | Screw-Thd Form |
| 32149-1 | 6 | 26 | 2 | Nut-Keps |
| 32149-2 | 15 | 7 | 3 | Nut-Hex Lock |
| 32151-48 | 4 | 33 | 2 | Ring-Retaining |
| 32151-48 | 5 | 18 | 1 | Ring-Retaining |
| 32151-48 | 9 | 13 | 2 | Ring-Retaining |
| 32151-81 | 5 | 3 | 1 | Retaining Ring Push-On |

MAINTENANCE RECORD

| Date | | | | | | | | | |
|------|--|--|--|--|--|--|--|--|--|
| | | | | | | | | | |
| | | | | | | | | | |
| | | | | | | | | | |
| | | | | | | | | | |
| | | | | | | | | | |
| | | | | | | | | | |
| | | | | | | | | | |
| | | | | | | | | | |
| | | | | | | | | | |
| | | | | | | | | | |
| | | | | | | | | | |
| | | | | | | | | | |
| | | | | | | | | | |
| | | | | | | | | | |
| | | | | | | | | | |
| | | | | | | | | | |
| | | | | | | | | | |
| | | | | | | | | | |
| | | | | | | | | | |
| | | | | | | | | | |
| | | | | | | | | | |
| | | | | | | | | | |
| | | | | | | | | | |