



416-8E GT Int'l
Garden Tractor

Model No. 73441 – 7900001 & Up

Parts Catalog

ORDERING REPLACEMENT PARTS

To order replacement parts, please supply: the part number, the quantity, and the description of each part desired.

Contents

Description	Page	Description	Page
Hood Assembly	1	Engine Housing	22
Frame Axle and Steering System	2	Flywheel	23
Hoodstand, Console	3	Cam & Crankshafts	24
Footrest & Hoodstand Side Covers	4	Oil Fill Tube & Base	25
Gauges, Warning Lights & Controls	5	Oil Filter	26
Manual Lift System	6	Gear Case & Ignition Controls	27
Clutch	7	Ignition Electronics	28
Brake	8	Air Cleaner	29
Fender, Seat & Tail Lights	9	Governor	30
PTO Clutch And Cover	10	Intake Manifold & Carburetor	31
PTO Clutch System	11	Choke Control	32
Engine Assembly	12	Fuel Filter & Pump	33
Transmission Assembly	13	This Page Intentionally Left Blank	34
Wheel Assemblies	14	Engine Cylinder Block	35
Hitch Assembly	15	Engine Cylinder Block	36
Battery Assembly	16	Wire Harness & Cable Routing	37
Fuel Tank Assembly	17	Electric Schematic	38
Hoodstand Electrical Housing & Wire Harness ..	18	416-8e Wire Harness Attachment & Component's	39
Transmission 8-Speed 8 Pinion	19	Engine Wire Harness	40
Transmission 8-Speed 8 Pinion (Continued)	20	PC Board & Test Switch	41
Starter	21	Note:	

Part Description Abbreviations

Part descriptions in this catalog may include the following abbreviations.

Abbreviation	Meaning	Abbreviation	Meaning
AR	as required	HSH	hex socket head
ASM	assembly	HWH	hex washer head
CARR	carriage	HWHTF	hex washer head thread forming
DEG	degrees	INC	incorporated
FH	flat head	LH	left hand
GA	gauge	PH	pan head
HF	hex flange	PPH	Phillips pan head
HFV	hex flange washer	PTO	power take off
HH	hex head	RH	right hand
HHF	hex head flange	SFH	slotted fillister head
HHST	hex head self tapping	SH	square head
HJ	hex jam	SHWH	slotted hex washer head
HOC	height-of-cut	SPH	slotted pan head
HS	hex socket	STD	standard
HSBH	hex socket button head	TAP	self tapping
HSFH	hex socket flat head	TH	truss head

TTH Torx truss head

WH wing head

Important Format Explanations

This catalog uses special formats to convey information in illustrations and parts lists. Specifically, one format is used in conjunction with service assemblies and another with quantities associated with reference numbers.

Service Assemblies

Parts within service assemblies have reference numbers in the form $X:Y$. X is the reference number of the service assembly and Y is a sequential number unique to each part within the service assembly.

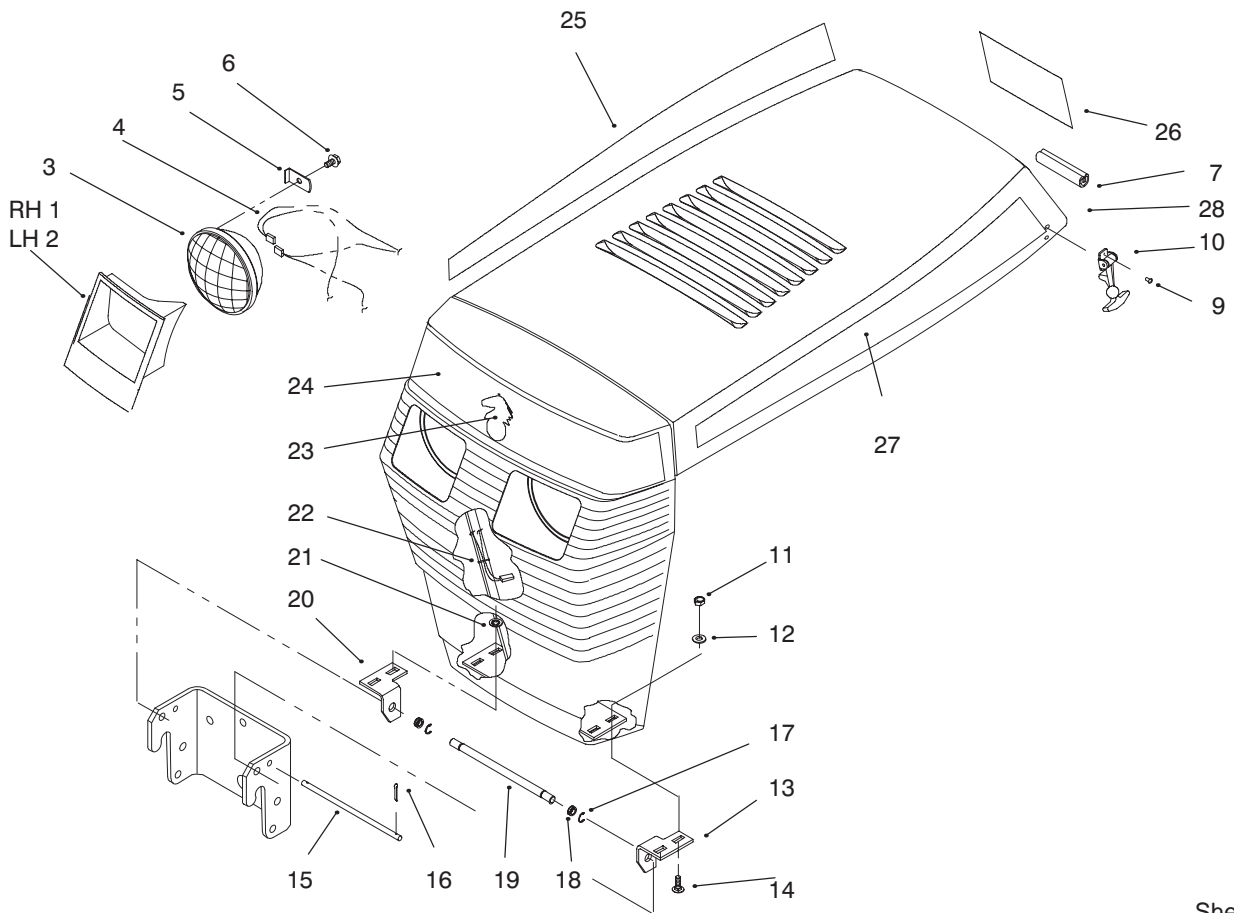
For example, a wheel assembly might be identified by reference number 6, the tire by 6:1, the valve by 6:2, and the wheel by 6:3. When you order the assembly identified by reference number 6, you receive all parts identified by reference numbers 6:1, 6:2, and 6:3. However, you may also order any part individually.

Reference numbers of this type appear in part lists and as callouts in illustrations.

Reference Numbers with Quantities

Illustrations may have a quantity in parentheses next to a reference number, in the form $X (Y)$. X is the reference number. Y in parentheses is the quantity of the part identified by the reference number.

For example, the illustration callout 4 (2) indicates that two parts are used in that instance.

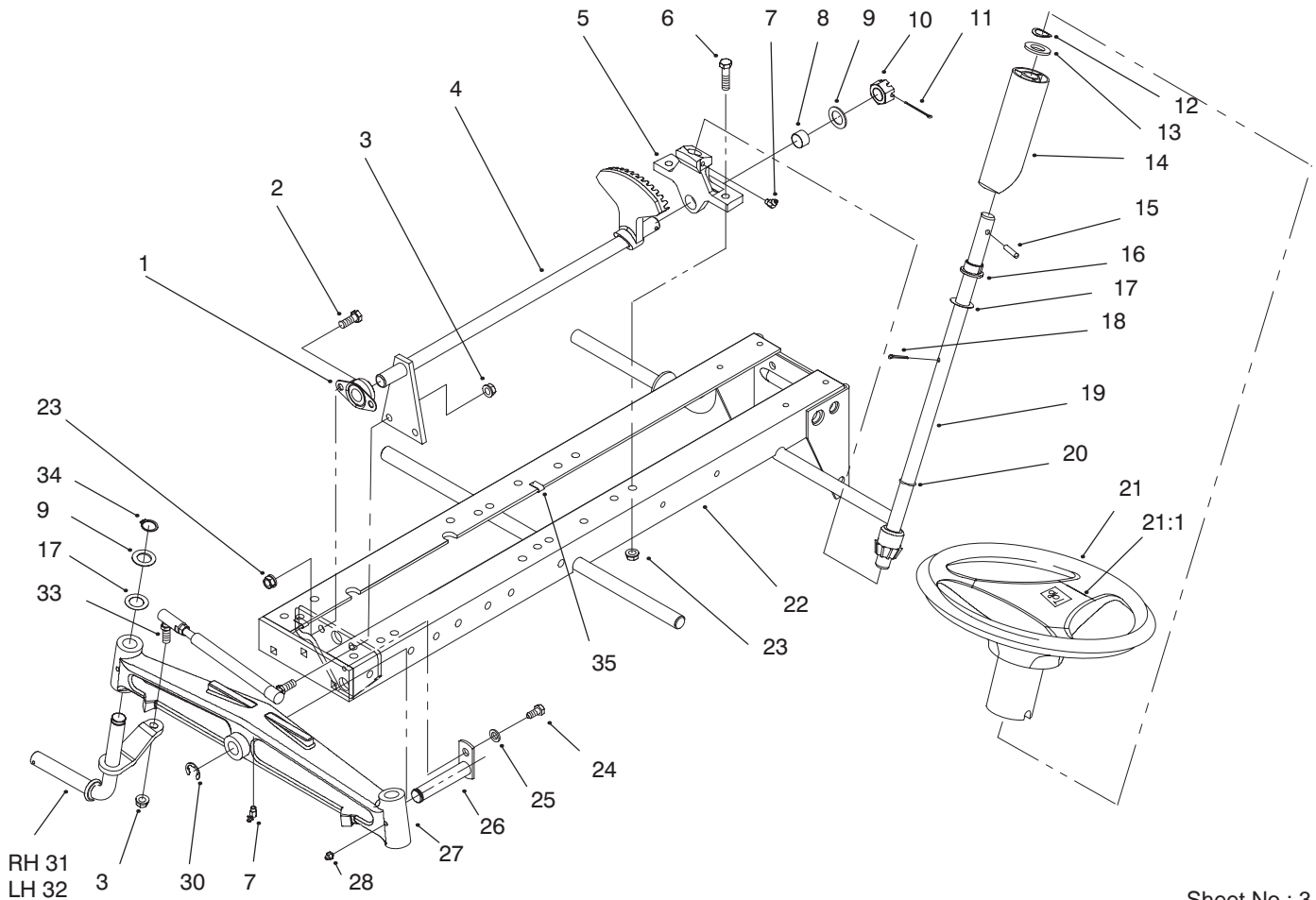


Sheet No.: 2

Hood Assembly

Ref. No.	Part No.	Qty.	Description
1	109495	1	Bezel-LH Headlight
2	109494	1	Bezel-RH Headlight
3	102881	2	Headlamp
4	114052	1	Wire Harness
5	109459	2	Clamp-Headlight
6	9266714	2	Screw-HWHTF
7	111757	1	Edging
9	117432	4	Poprivet
10	117344	2	Handle-Latch
11	3296-42	4	Nut-Lock
12	3256-22	3	Washer-Flat
13	116747	1	Bracket-Grill LH
14	3229-25	4	Screw-CARR
15	101850	1	Rod-Hood Stop
16	3272-1	2	Pin-Cotter
17	5979	2	Bushing-Nyliner
18	105797	2	Ring-Retaining
19	116745	1	Rod-Grill Pivot
20	116746	1	Bracket-Grill RH
21	3254-2	1	Washer-Lock
22	3290-378	1	Tie-Cable
23	94-3736	1	Plate-Logo
24	92-9826	1	Decal-Front Hood
25	92-9825	1	Decal-Hood RH
26	93-7336	1	Decal-Danger

Ref. No.	Part No.	Qty.	Description
27	92-9824	1	Decal-Hood LH
28	112358	1	ASM-Hood & Grill

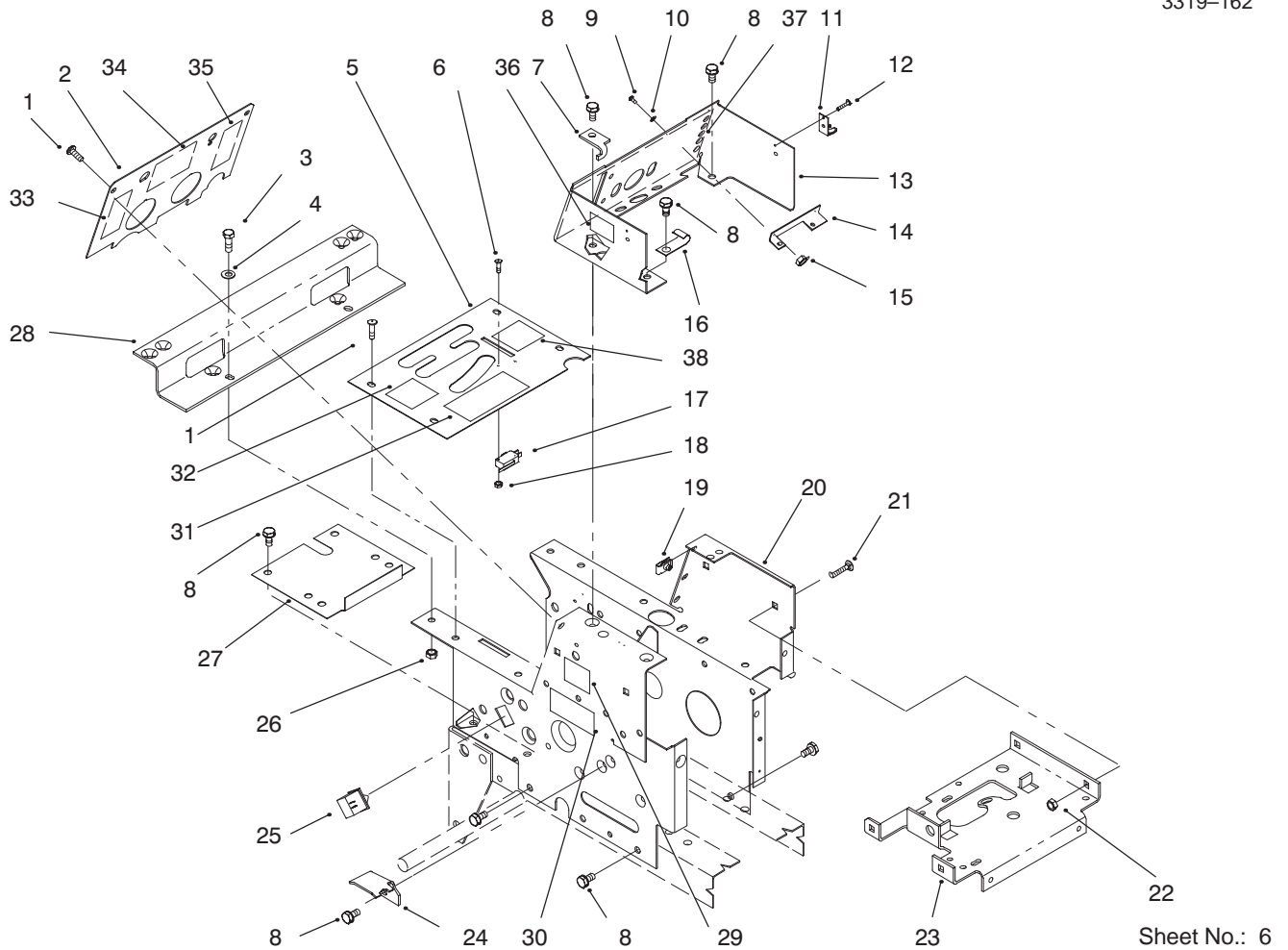


Sheet No.: 3

Frame Axle and Steering System

Ref. No.	Part No.	Qty.	Description
1	6472	1	Bearing-Flanged
2	323-6	2	Screw-HH
3	3296-6	4	Nut-Lock
4	78-2880-01	1	Shaft-Steering
5	88-2710-01	1	Support-Lower Steering
6	323-8	2	Screw-HH
7	302-11	2	Fitting-Grease
8	6397	1	Bearing-Bronze
9	1278	3	Washer-Shim
10	32136-5	1	Nut-Slotted
11	3272-19	1	Pin-Cotter
12	7896	1	Washer-Bowed
13	109262	2	Washer
14	113443	1	Tube-Steering Shaft
15	32121-111	1	Pin-Spiral
16	109189	1	Bearing-Flange
17	5210	14	Washer-Shim
18	3272-21	1	Pin-Cotter
19	92-4987	1	Shaft-Steering
20	237-69	1	O-Ring
21	94-3519	1	Wheel-Steering
21:1	88-3870	1	Cover-Steering Wheel
22	94-6673-01	1	Frame
23	3296-39	4	Nut-Lock
24	322-1	1	Screw-HH

Ref. No.	Part No.	Qty.	Description
25	3253-4	1	Washer-Lock
26	6216	1	Pin-Pivot
27	5638-01	1	Axle-Front
28	302-5	2	Fitting-Grease
30	5618	1	Ring-Retaining
31	113382-01	1	Spindle-RH
32	113381-01	1	Spindle-LH
33	78-2900	2	ASM-Rod
34	32120-93	2	Snap Ring

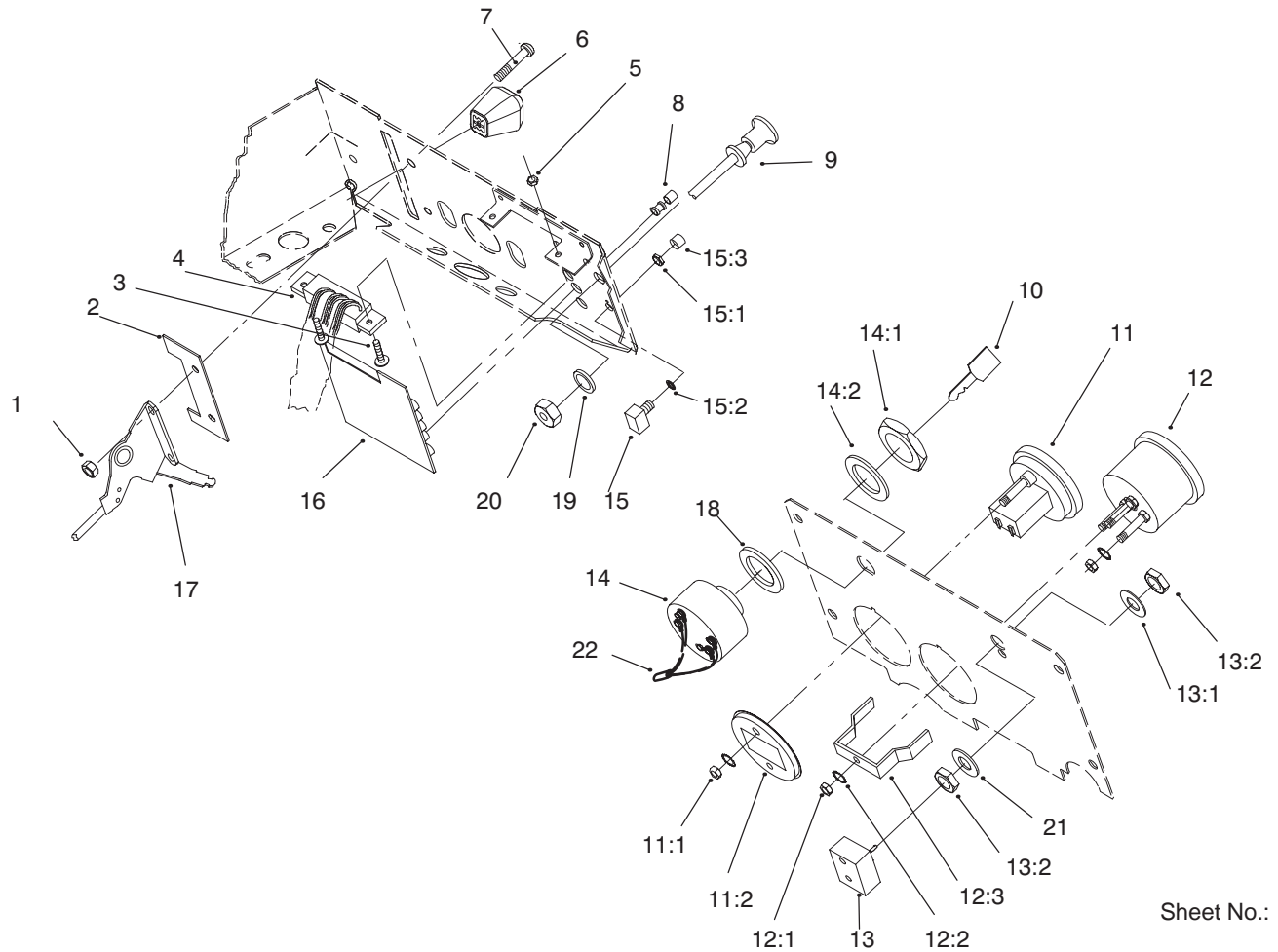


Sheet No.: 6

Hoodstand, Console

Ref. No.	Part No.	Qty.	Description
1	9108372	6	Screw-Phcr
2	94-1809-03	1	Plate-Hoodstand
3	322-5	2	Screw-HH
4	3256-23	2	Washer-Flat
5	111386-03	1	Plate-Shift
6	9109484	2	Screw-Phcr
7	112415	1	Stop-PTO
8	9266944	11	Screw-HH
9	9107622	2	Screw-Phcr
10	9201504	2	Washer-Lock
11	117343	2	Latch-Hood
12	117432	4	Poprivet
13	111271-03	1	Console
14	112506	1	Bracket
15	9159604	2	Nut
16	111392	1	Retainer
17	111332	1	Switch-Interlock
18	9157324	2	Nut-Lock
19	107069	4	Nut-Retainer
20	92-1525-03	1	Hoodstand
21	117371	4	Screw-CARR
22	9151126	4	Nut
23	78-3010-03	1	Bracket-Battery Support
24	88-2170-03	1	Bracket-Belt
25	103480	1	Switch-Interlock

Ref. No.	Part No.	Qty.	Description
26	3296-29	2	Nut-Lock
27	106250-03	1	Cover-Dust
28	107951-03	1	Bracket-Fender Front
29	114621	1	Decal-Noise
30	92-9831	2	Decal- 416-8 Speed
31	92-8946	1	Decal-Danger
31	93-7314	1	Decal-Danger
32	93-7845	1	Decal-Pattern
33	93-7847	1	Decal-Clutch
34	94-6658	1	Decal-Plate
35	93-7848	1	Decal-Lift
36	93-7846	1	Decal-System
37	93-9350	1	Decal-Dash
38	93-9352	1	Decal-Brake

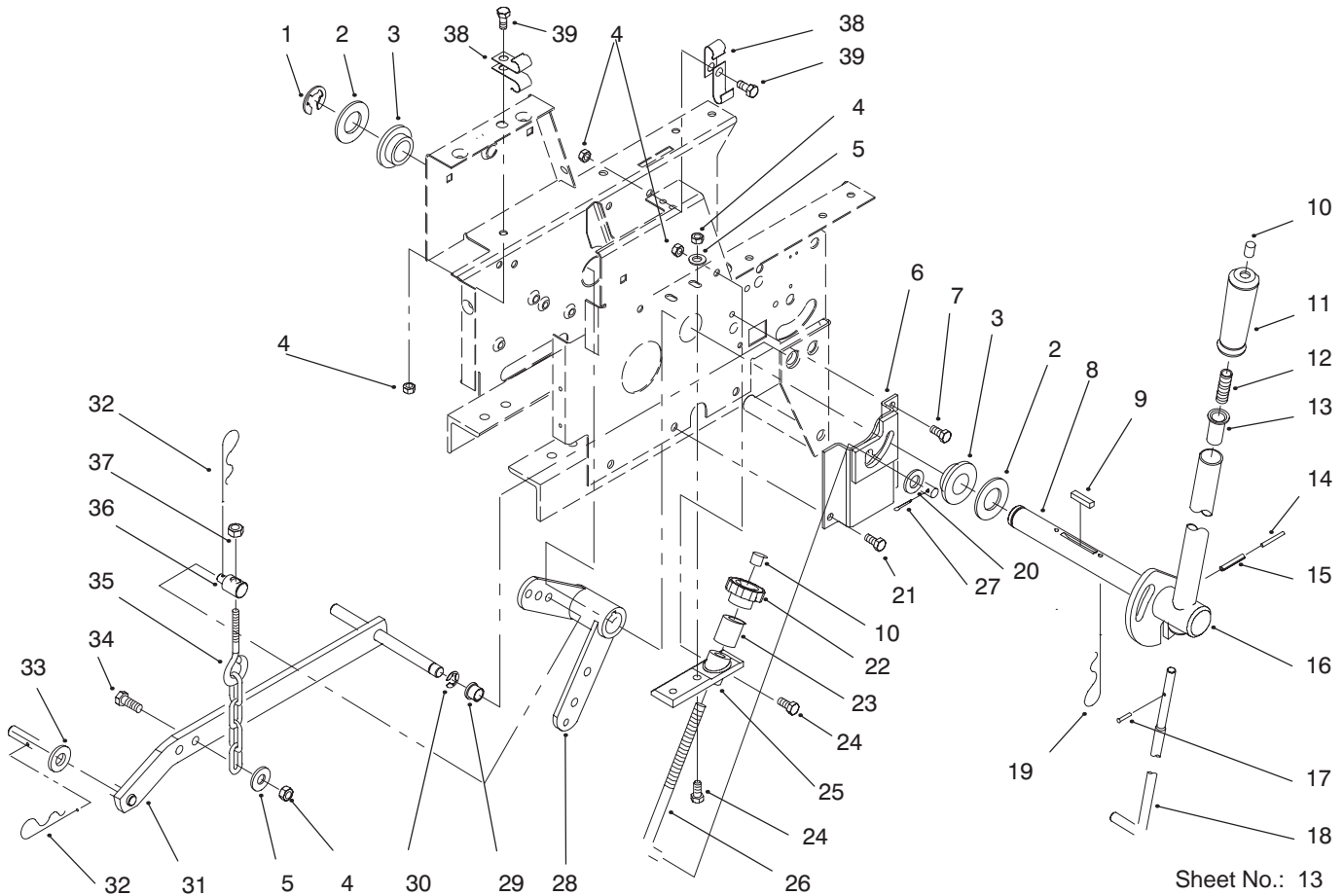


Sheet No.: 10

Gauges, Warning Lights & Controls

Ref. No.	Part No.	Qty.	Description
1	9157404	2	Nut
2	120590-03	1	Stop-Throttle
3	9107562	2	Screw-Phcr
4	117377	1	Harness-P C Board
5	9157324	2	Nut-Lock
6	66-0120	1	Knob
7	9107922	2	Screw-Phcr
8	111343	5	Lens & Bushing ASM
9	114951	1	Control-Choke
10	62-7770	2	Key-Ignition
11	94-3723	1	Hourmeter
11:1	32149-9	2	Nut/Washer-Lock
11:2	94-1849	1	Cup-Retainer
12	79-0060	1	Voltmeter
12:1	3217-27	1	Nut-HH
12:2	3255-25	1	Washer-Lock
12:3	78-0080	1	Bracket-Mounting
13	102138	1	Switch-Light
13:	102950	1	Washer-Tab
13:1	113179	1	Nut-Hex
14	111216	1	Switch-Ignition
14:1	101884	1	Nut-Hex
14:2	9201604	1	Washer-Lock
15	116796	1	Switch-Button
15:1	111359	1	Nut-Hex
15:2	111767	1	Washer-Lock

Ref. No.	Part No.	Qty.	Description
15:3	117217	1	Button-Switch
16	114825	1	Board-Pc
17	115392	1	Control-Throttle
18	9202624	1	Washer-Flat
19	3256-37	1	Washer-Flat
20	109530	1	Nut-Hex Palnut
21	9202594	1	Washer
22	79-3600	1	Wire Harness (Ref.)

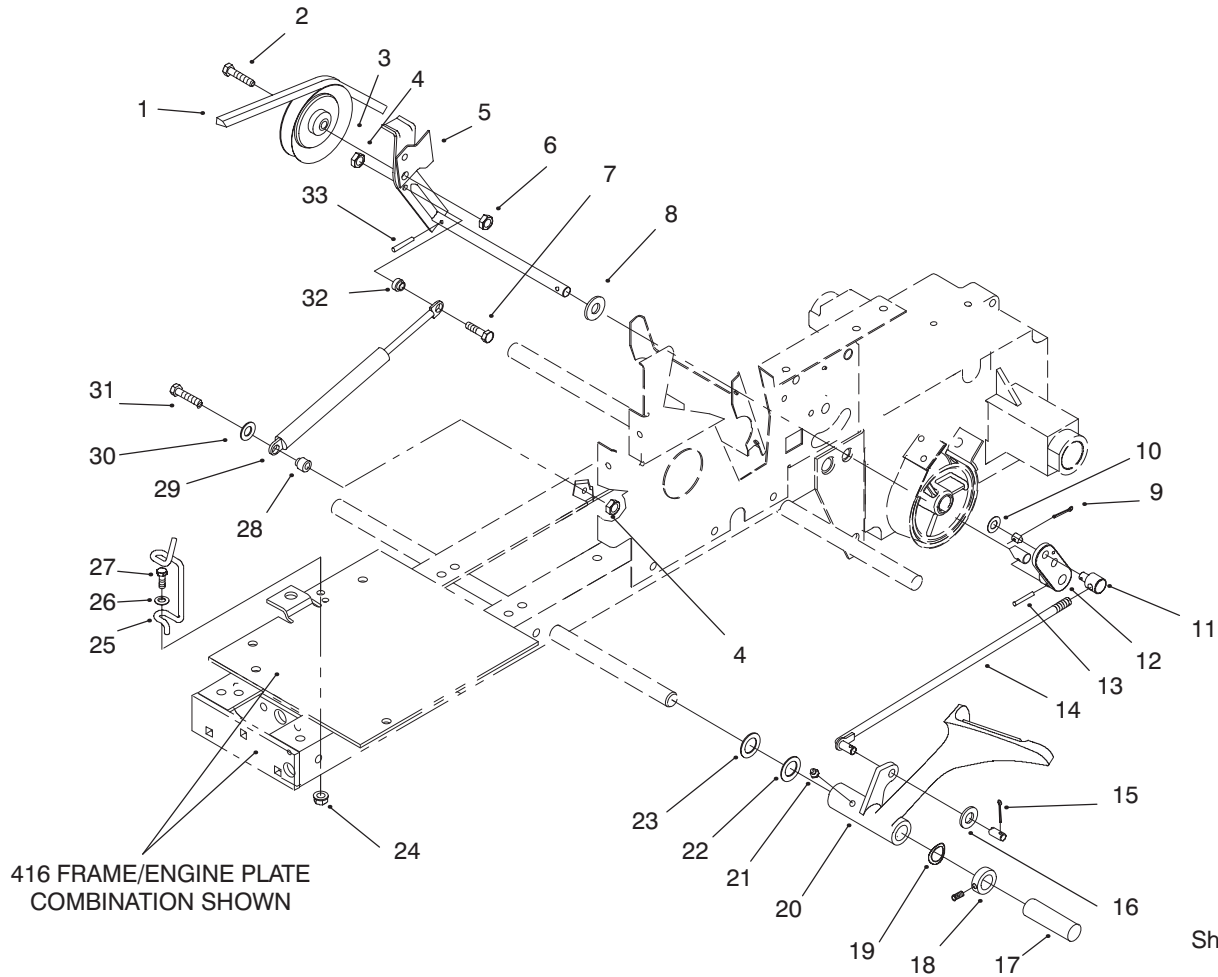


Sheet No.: 13

Manual Lift System

Ref. No.	Part No.	Qty.	Description
1	32151-91	1	Ring-Retaining
2	3256-62	2	Washer-Flat
3	106269	2	Bearing-Flange
4	3296-29	6	Nut-Lock
5	3256-23	3	Washer-Flat
6	106411-03	1	ASM-Lift Hgt Cont Bkt
7	9266944	1	Screw-HH
8	108565	1	Shaft-Lift Lever
9	1121	1	Key
10	105316	2	Cap-Rod
11	92-6710	1	Grip-Handle
12	3624	1	Spring-Compression
13	8130	1	Retainer-Spring
14	32121-103	1	Pin-Spring
15	32121-25	1	Pin-Roll
16	108563-03	1	ASM-Lift Lever
17	933148	1	Pin-Spirol
18	106257	1	Rod-Latch
19	9335074	2	Cotter-Hairpin
20	3256-5	1	Washer-Flat
21	9266964	2	Screw-HH
22	5280	1	Knob-Height Control
23	106258-03	1	Sleeve
24	322-5	3	Screw-HH
25	106345-03	1	Casting-Lift Lever

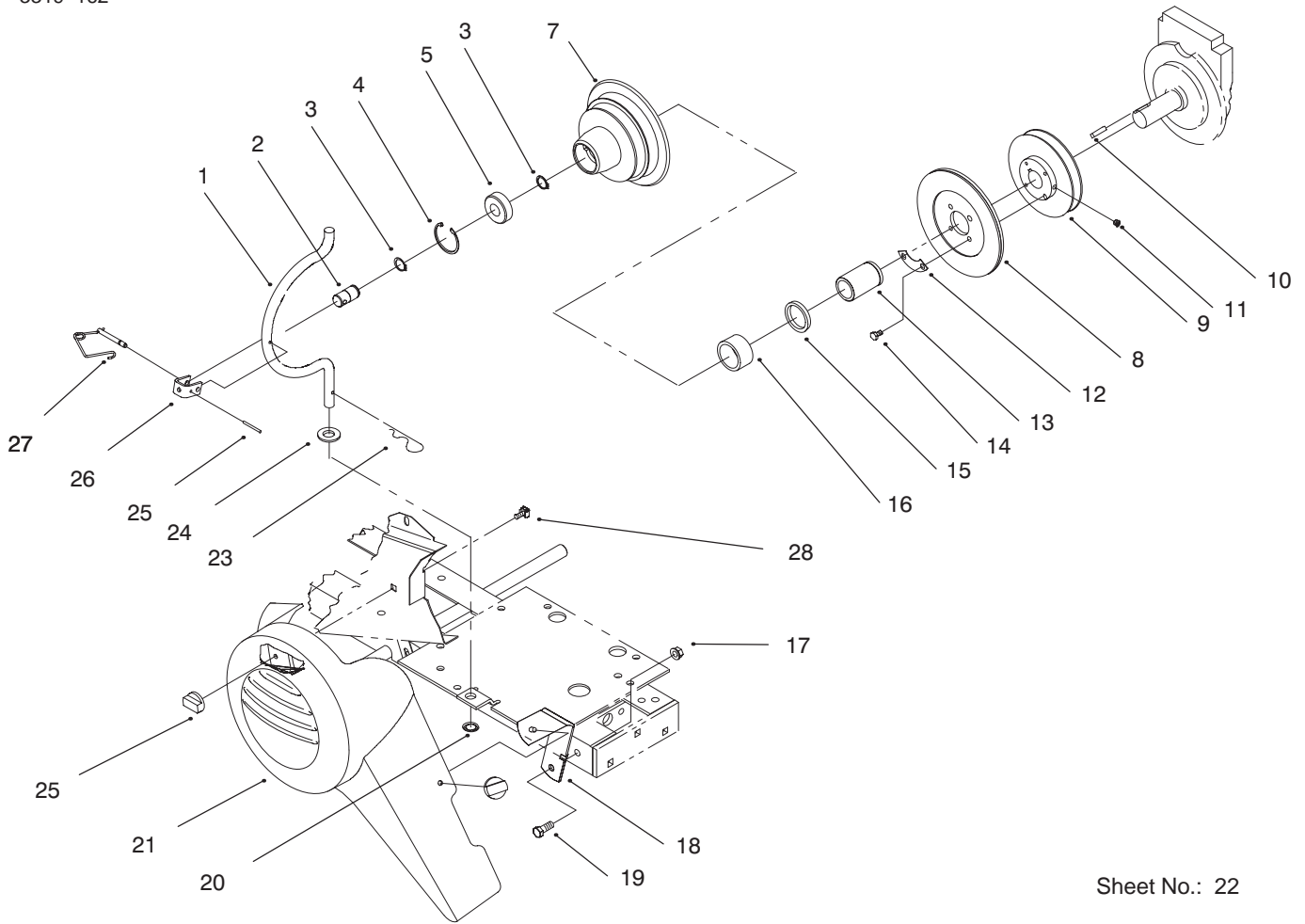
Ref. No.	Part No.	Qty.	Description
26	110653	1	Rod-Height Control
27	3272-10	1	Pin-Cotter
28	78-1550	1	Lever-Lift
29	6229	1	Bearing
30	32120-47	1	Ring-Retaining
31	113445-01	1	Bar-Lift
32	9335054	2	Hairpin
33	3256-25	1	Washer-Flat
34	322-6	1	Screw-HH
35	106522	1	Chain-Lift
36	6739	1	Trunnion
37	3296-39	1	Nut-Lock
38	8830	4	Retainer-"J"
39	322-2	2	Screw-HH



Clutch

Ref. No.	Part No.	Qty.	Description
1	93-9809	1	V-Belt
2	106193	1	Screw-Spec HH
3	7451	1	Pulley-V
4	3296-42	2	Nut-Lock
5	78-2970-01	1	ASM-Clutch Idler Arm
6	32146-2	1	Nut-Lock
7	321-31	1	Screw-HH
8	3765	1	Washer-Shim
9	3272-6	1	Pin-Cotter
10	3256-24	1	Washer-Flat
11	101161	1	Trunion
12	105896-01	1	Arm-Clutch Rod
13	933190	1	Pin
14	103347	1	Rod-Clutch
15	3272-10	1	Pin-Cotter
16	920248	1	Washer-Nylon
17	94-6683	1	Sleeve-Protective
18	111383	1	Collar w/Set Screw
19	7896	1	Washer-Bowed
20	94-3703-01	1	Pedal-Clutch
21	302-5	1	Fitting-Grease
22	1278	1	Washer-Shim
23	9202254	1	Washer-Flat
24	3296-29	1	Nut-Lock
25	120320-03	1	Guide-Belt Bottom
26	3256-3	1	Washer-Flat

Ref. No.	Part No.	Qty.	Description
27	322-6	1	Screw-HH
28	78-3250	1	Spacer-Shoulder
29	78-3240	1	Absorber-Gas Spring
30	3256-22	1	Washer-Flat
31	321-9	1	Screw-HH
32	78-3260	1	Spacer-Shoulder
33	933267	1	Pin

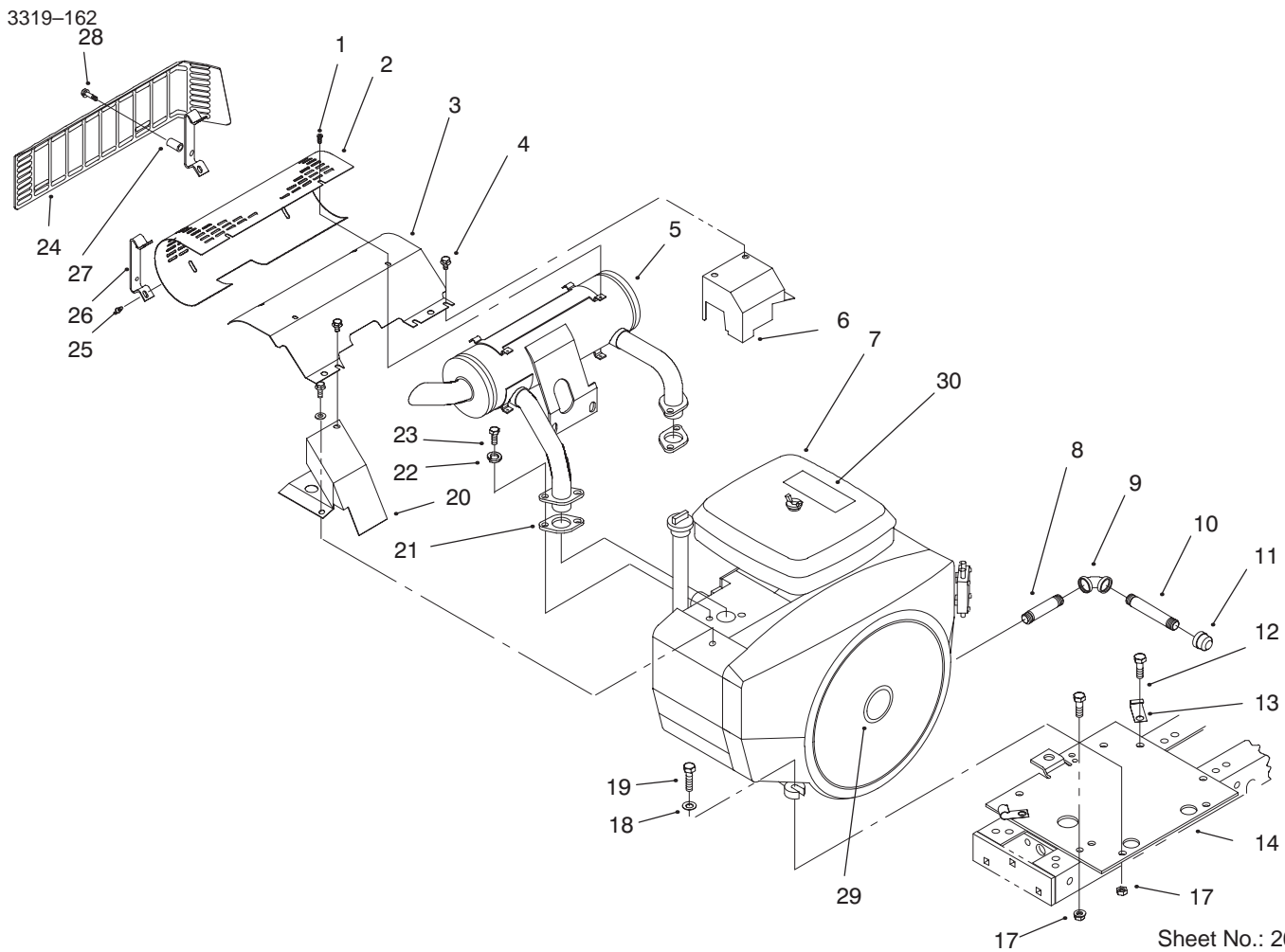


Sheet No.: 22

PTO Clutch And Cover

Ref. No.	Part No.	Qty.	Description
1	113108	1	Rod-PTO Housing
2	102872	1	Shaft-PTO
3	32120-72	2	Ring-Retaining
4	32120-62	1	Ring-Retaining
5	109842	1	Bearing-Ball
7	103478-01	1	Housing-Clutch
8	94-6650	1	ASM-Plate
9	7466	1	Pulley-Engine
10	105453	1	Key-Sq
11	3246-2	2	Screw-HSH Set
12	6659	2	Retainer
13	6658	1	Race-Bearing
14	9080026	4	Screw-Lock
15	6663	1	Seal-Oil
16	6662	1	Bearing-Needle
17	32128-40	1	Nut-Lock
18	94-3726-01	1	Bracket
19	323-6	1	Screw-HH
20	106695	1	Ring-Push On
21	94-3704	1	Belt Cover-PTO
22	94-3735	2	Nut-Wing
23	9335064	1	Hairpin
24	3256-27	1	Washer-Flat
25	933274	1	Pin-Spirol
26	113107	1	Clevis

Ref. No.	Part No.	Qty.	Description
27	111314	1	Lock Pin ASM
28	94-3729	1	Retainer-Bolt

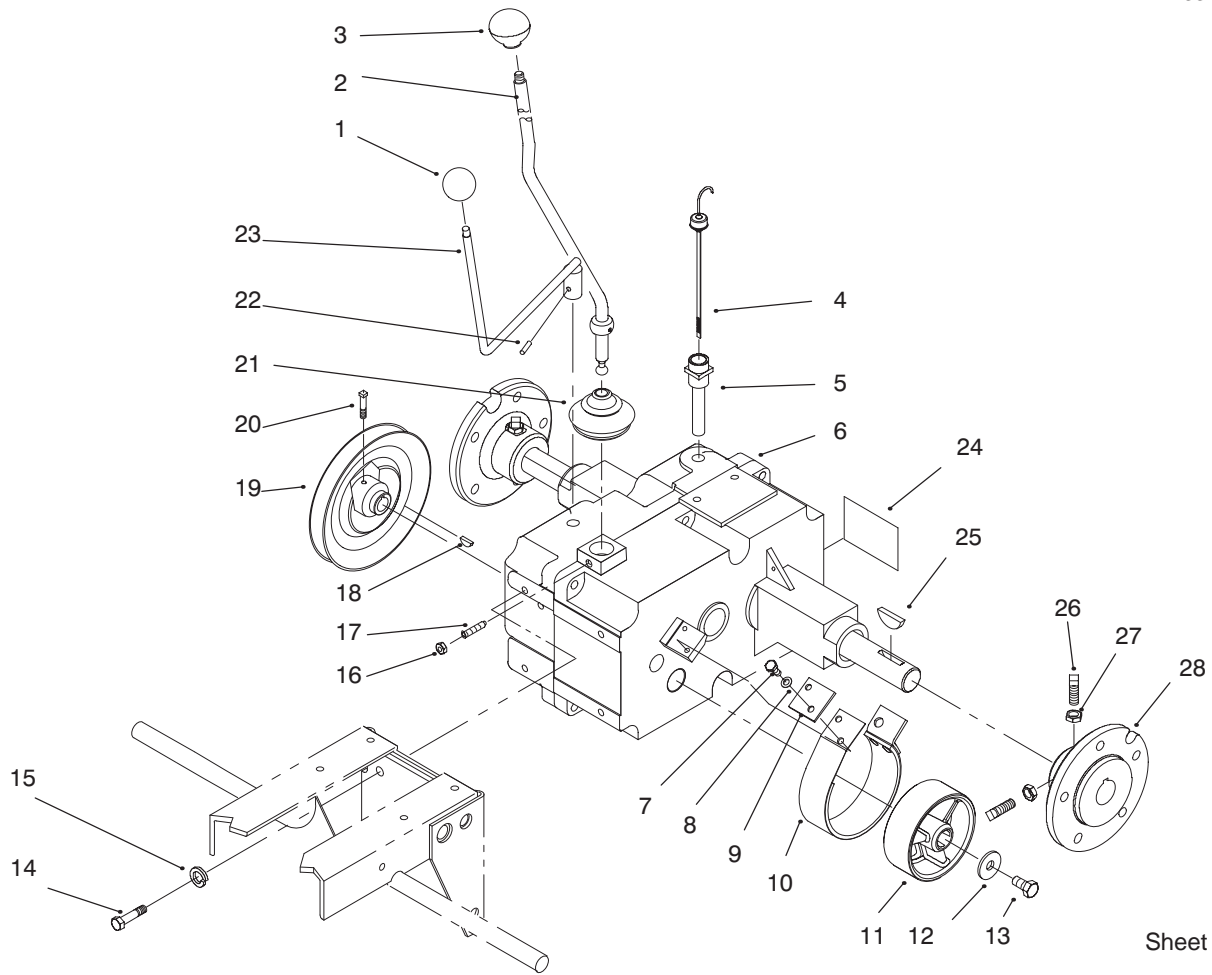


Sheet No.: 26

Engine Assembly

Ref. No.	Part No.	Qty.	Description
1	114888	2	Screw
2	94-6664	1	Shield-Heat
3	94-1803-03	1	Baffle-Deflector
4	49-2040	3	Screw-HH
5	116471	1	Muffler
6	114216-03	1	Cover-Exhaust Rear
7	94-1810	1	Engine-Onan
8	114636	1	Nipple
9	114764	1	Elbow-90°
10	114763	1	Nipple
11	288-4	1	Cap-Pipe
12	323-6	4	Screw-HH
13	8830	2	Retainer-"J"
14	116609-03	1	Plate-Engine
17	3296-39	8	Nut-Lock
18	3256-24	4	Washer-Flat
19	323-8	4	Screw-HH
20	114215-03	1	Cover-Exhaust Front
21	57-9210	2	Gasket-Manifold
22	3253-4	4	Washer-Lock
23	322-3	4	Screw-HH
24	94-9700-03	1	Shield-Heat
25	32144-28	4	Screw-Phcr
26	93-9287-03	2	Bar-Guard
27	94-9701	4	Spacer
28	32144-110	4	Screw-HWHTF

Ref. No.	Part No.	Qty.	Description
29	118530	1	Name Plate-Toro Logo
30	118540	1	Decal-Power Plus 16

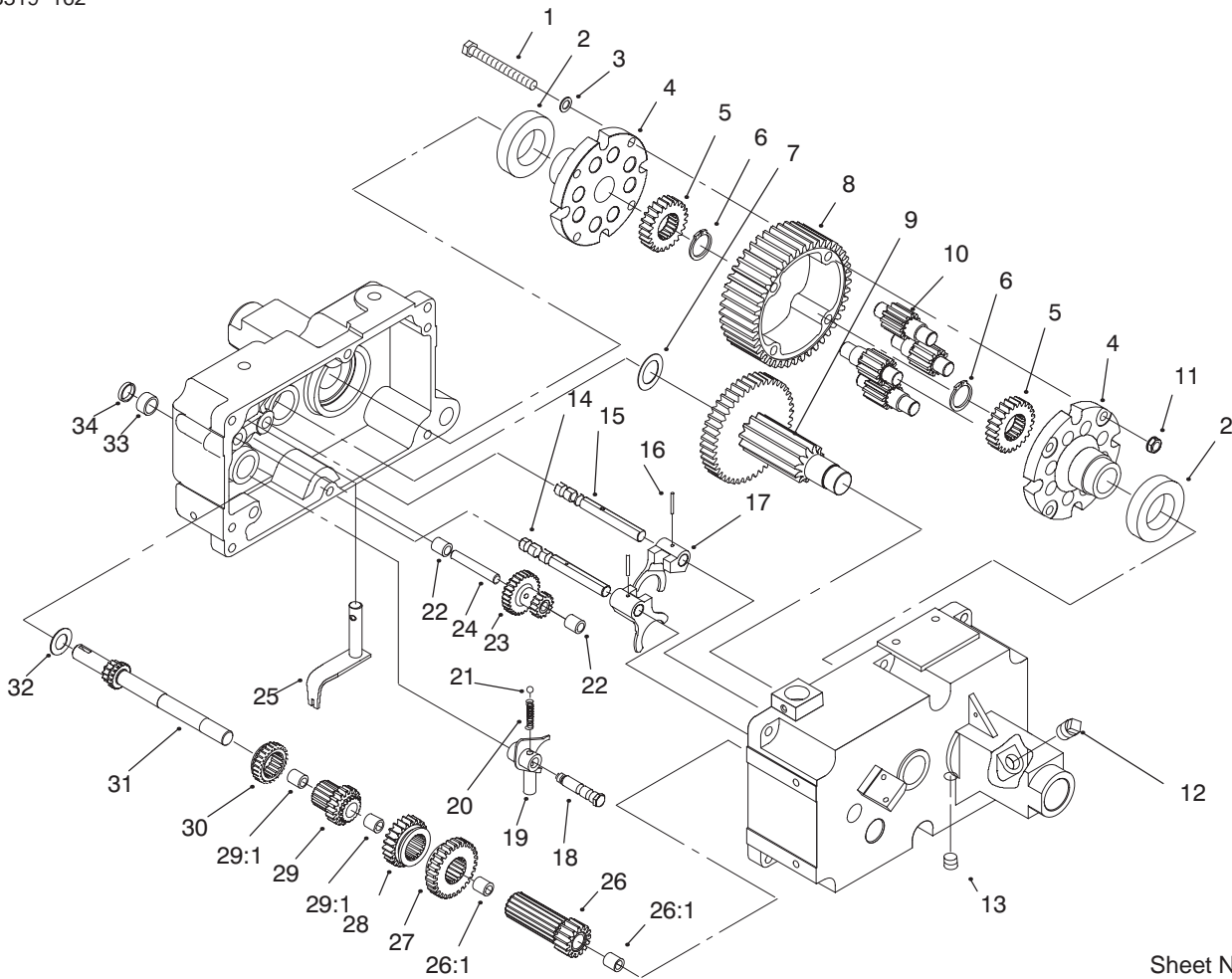


Sheet No.: 27

Transmission Assembly

Ref. No.	Part No.	Qty.	Description
1	83-2710	1	Knob
2	95-5142	1	ASM-Rod
3	108758	1	Knob
4	101847-03	1	Dipstick
5	102703	1	Trans Nipple
6	94-6671	1	ASM-8 Spd
7	321-3	2	Screw-HH
8	3253-3	2	Washer-Lock
9	9598	1	Plate-Stop
10	9593	1	Band-Brake
11	106719	1	Drum-Brake
12	2844	1	Washer-Flat
13	110234	1	Screw
14	323-5	4	Screw-HH
15	3253-21	4	Washer-Lock
16	3217-5	1	Nut-Hex
17	1239	1	Set Screw
18	937221	1	Key-Woodruff
19	106165	1	Pulley-Transmission
20	3242-2	1	Screw Set-SH
21	3577	1	Dust Cover
22	933184	1	Pin-Spirol
23	110727	1	Rod-Shift
24	94-1834	1	Decal-Unidrive
25	937108	2	Key-Woodruff
26	3243-5	4	Screw-Set

Ref. No.	Part No.	Qty.	Description
27	3218-3	4	Nut-HJ
28	105763-03	2	Hub-Wheel



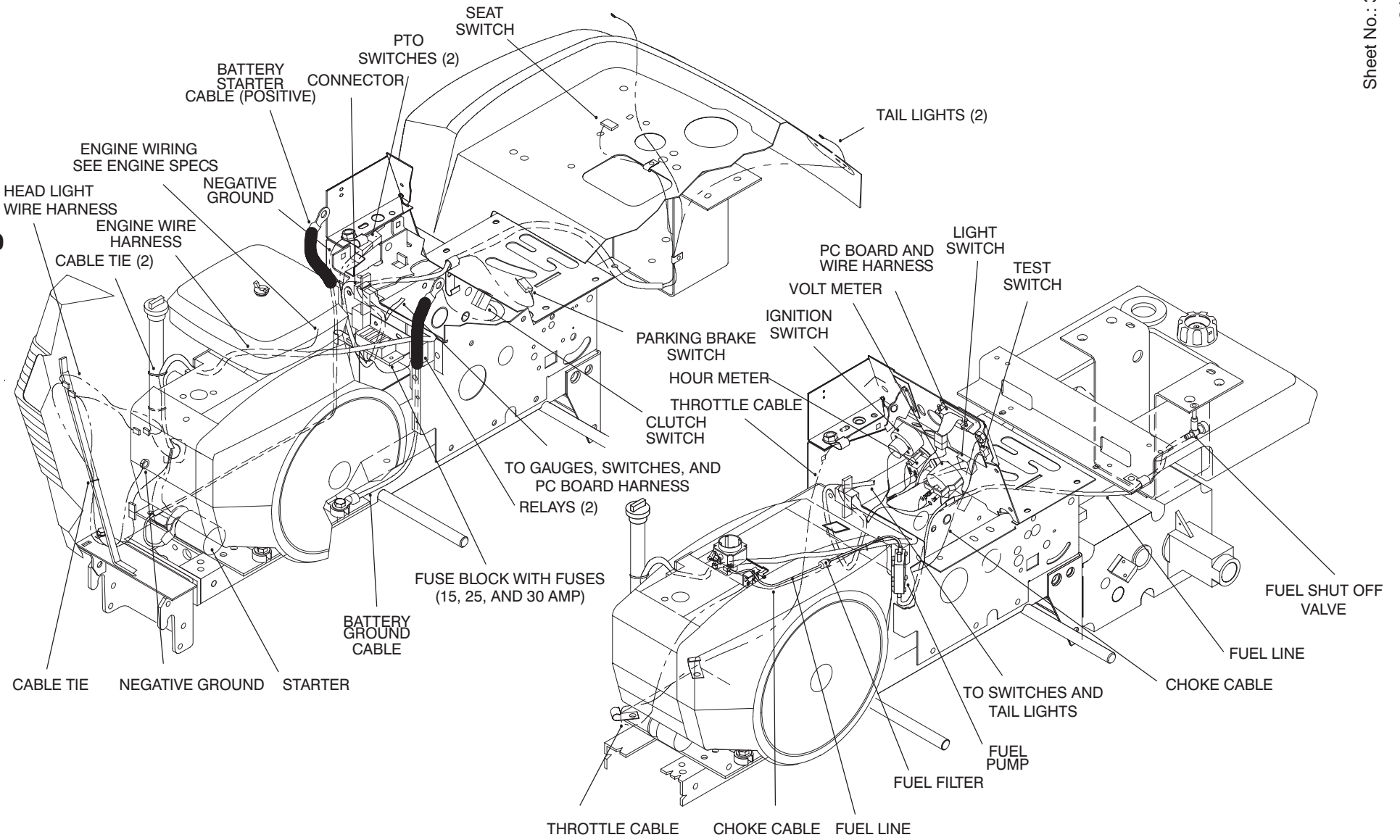
Sheet No.: 102

Transmission 8-Speed 8 Pinion (Continued)

Ref. No.	Part No.	Qty.	Description
1	911423	4	Screw-HH
2	111199	2	Bearing-Ball
3	107374	4	Washer-Flat
4	111196	2	Cap-End
5	101889	2	Gear-Axle
6	105876	2	Ring-Retaining
7	9547	1	Washer-Thrust
8	105061	1	Gear-Differential
9	102974	1	ASM-Gear
10	101623	8	Gear-Pinion
11	108881	4	Nut-Hex
12	281-2	1	Plug-Pipe
13	281-10	1	Plug-Pipe
14	5615	1	Rail-Shift
15	5616	1	Rail-Shift
16	933156	2	Pin-Hd Spirol
17	3503	2	Fork-Shift
18	7213	1	Screw-Detent
19	116636	1	ASM-Fork
20	106030	1	Spring-Stop
21	3517	1	Ball-Detent
22	7207	2	Bearing-Needle
23	7206	1	Gear
24	7208	1	Shaft-Gear
25	7214	1	ASM-Lever
25:1	7215	1	Shift-Lever

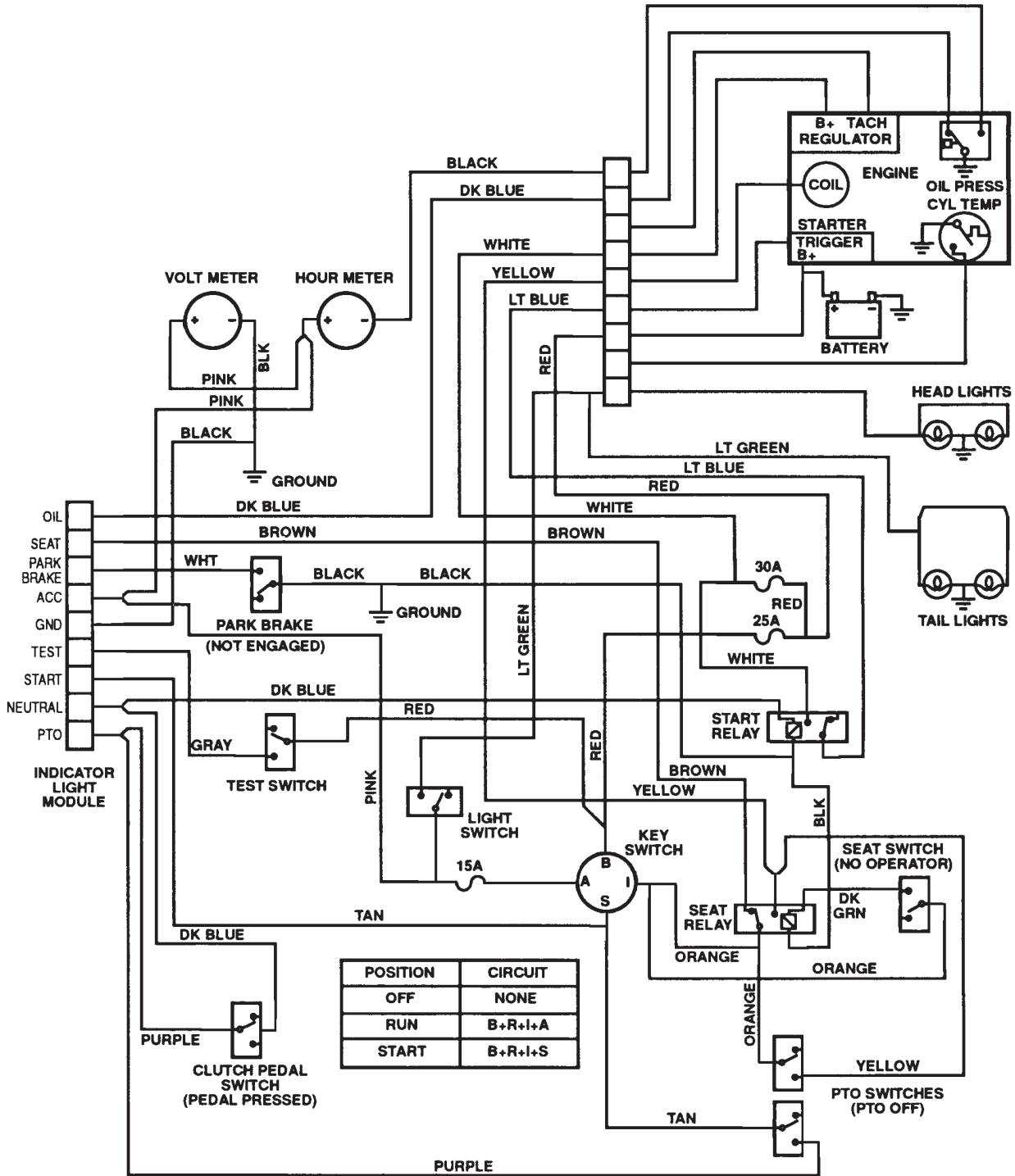
Ref. No.	Part No.	Qty.	Description
25:2	7216	1	Shaft-Lever
26	111099	1	Gear
26	5175	1	ASM-Gear
26:1	1518	2	Bearing-Needle
27	5174	1	Gear-Low And Reverse
28	5173	1	Gear-Hi And 2nd
29	111096	1	Gear
29	7204	1	ASM-Gear
29:1	1518	2	Bearing-Needle
30	7205	1	Gear-Sliding
31	7201	1	Shaft-Input
32	7418	1	Washer-Thrust
33	1542	1	Bearing-Needle
34	100442	1	Seal-Oil

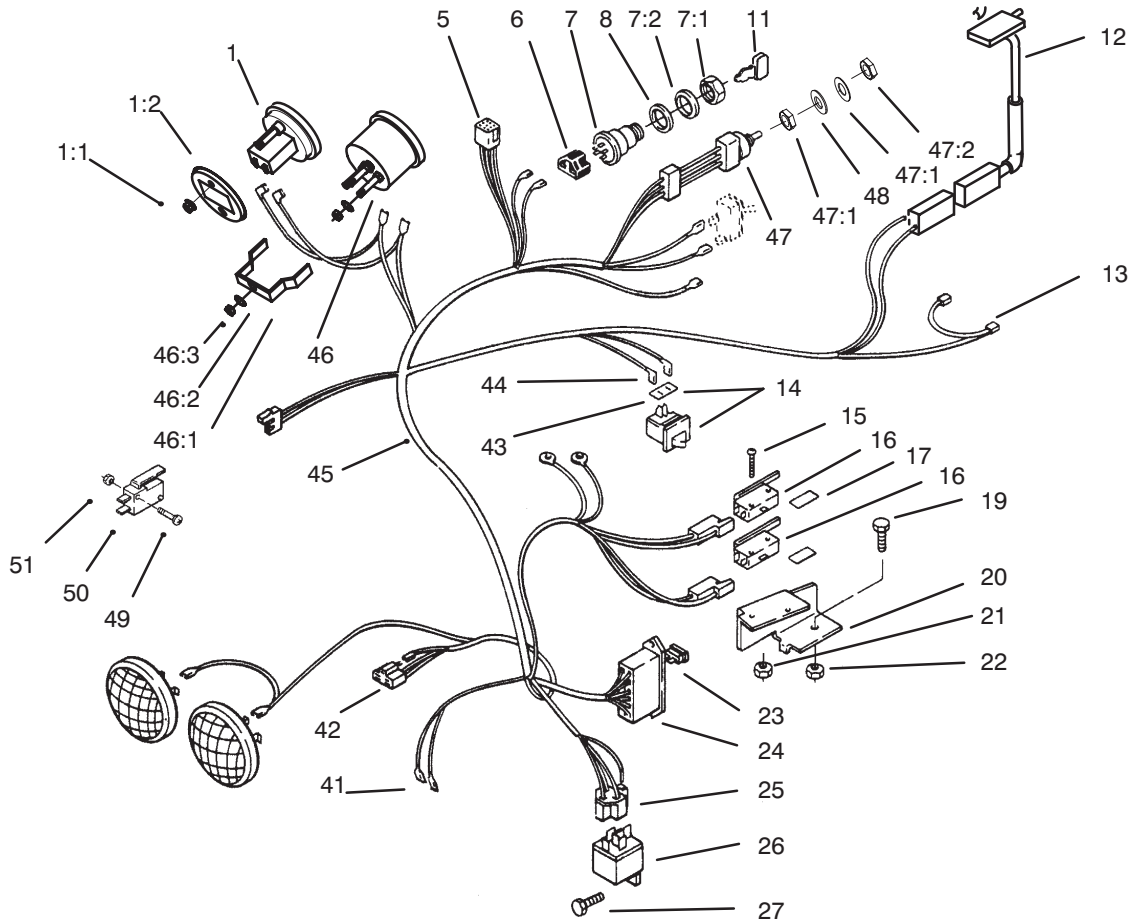
Wire Harness & Cable Routing



416-8 AND 416-8E WIRE HARNESS, CABLE AND TUBE ROUTING TWIN CYLINDER

Electric Schematic



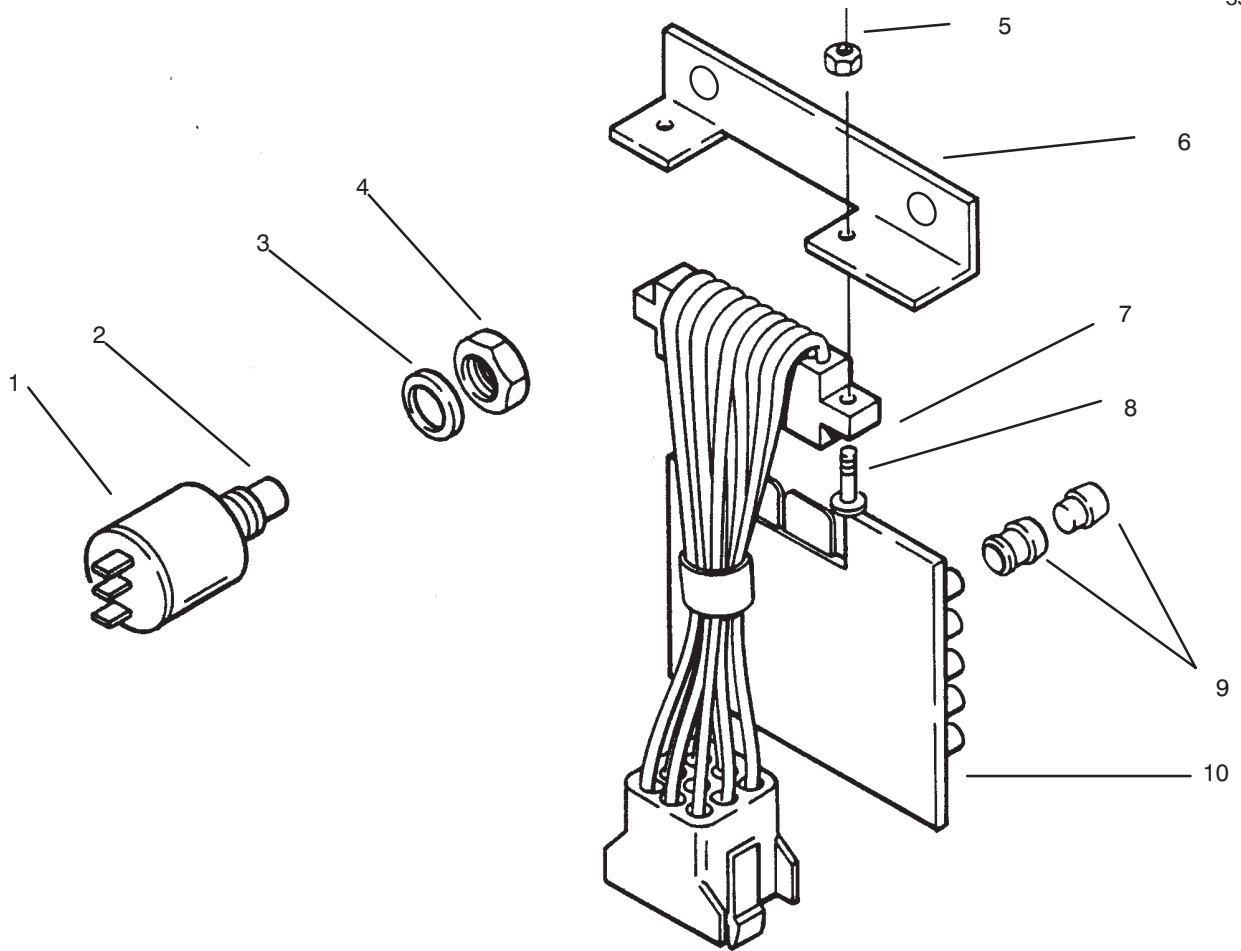


Sheet No.:

416-8e Wire Harness Attachment & Component's

Ref. No.	Part No.	Qty.	Description
1	94-3723	1	Meter - Hour
1:1	32149-9	1	Nut - Lock
1:2	94-1849	1	Washer - Lock
5	102651	8	Terminal - Female
6	104926	1	Switch - Connector
7	111216	1	Switch - Ignition
7:1	101884	1	Nut - Special
7:2	920104	1	Washer - IntL. T
8	9202624	1	Washer - Special
11	62-7770	1	Key - Ignition,
12	38-1420	1	Switch - Seat
13	6921	1	Terminal
14	103480	1	Switch - Interlock, (Incl. Ref. #43)
15	910478	2	Screw
16	111332	3	Switch - PTO
17	111642	2	Barrier - Switch
19	926671	1	Bolt
20	115411	1	Support - Switch
21	915732	2	Nut
22	9155732	2	Nut
23	109355	1	Fuse 15 Amp
*	109102	1	Fuse 25 Amp
*	NN10277	1	Fuse 30 Amp
24	120930	1	Holder - Fuse
25	518105	1	Terminal
26	116397	1	Relay
27	960152	2	Bolt - Whizlock

Ref. No.	Part No.	Qty.	Description
42	112185	1	Body - Connector
43	110502	1	Shield - Dirt
44	518077	2	Terminal
45	79-3600	1	Wire Harness (Incl. Ref. # 5,6,13, 24, 25 42 &45)
46	79-0060	1	Meter - Volt
46:1	78-0080	1	Bracket - Mounting
46:2	3255-24	1	Washer - Lock
46:3	3217-27	1	Nut
47	102138	1	Switch - Lights
47:1	3255-25	1	Washer - Lock
47:2	321-27	1	Nut
48	9202594	1	Washer
49	910948	2	Screw
50	111332	1	Switch - Parking
51	915732	2	Nut

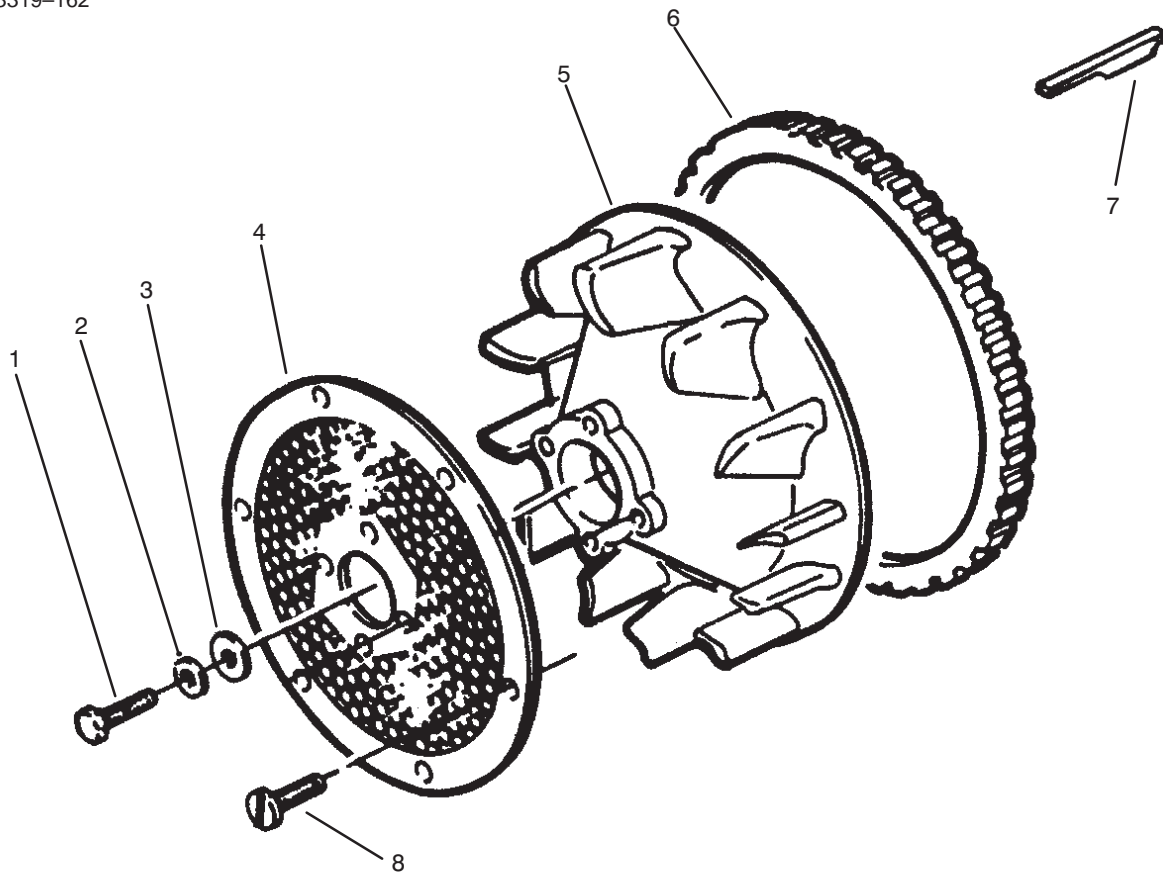


Sheet No.:

PC Board & Test Switch

Ref. No.	Part No.	Qty.	Description
1	116796	1	Test Switch
2	117217	1	Switch – Button (Incl. Ref. #2–4)
3	111767	1	Washer
4	111359	4	Nut – Hex
5	915732	2	Nut – Lock
6	112506	1	Bracket
7	116723	1	Harness – Wiring
8	9107562	2	Screw
9	111343	5	Bushing Assembly & Indicator Lens
10	114825	1	PC Board w/Lights

Ref. No.	Part No.	Qty.	Description

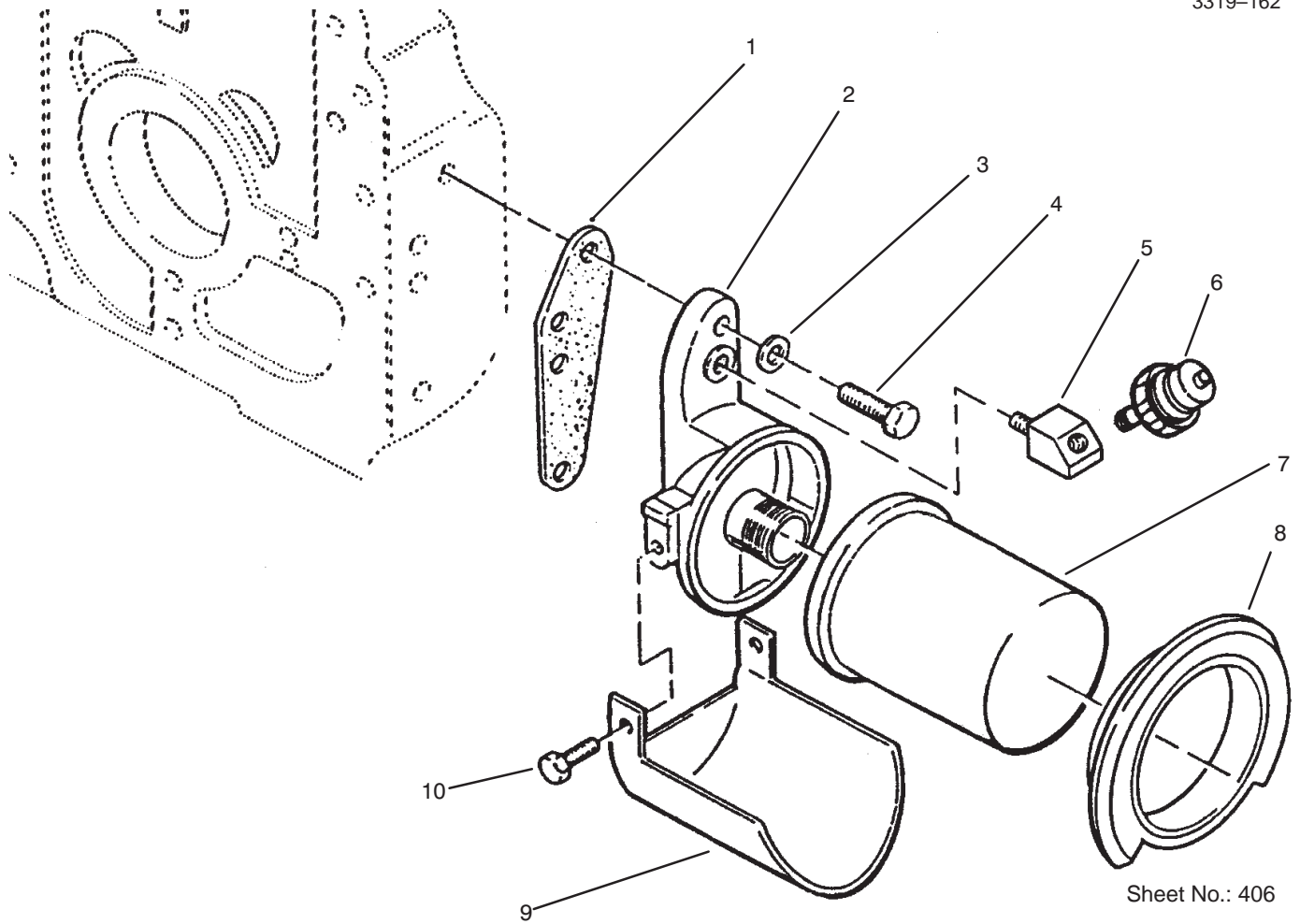


Sheet No.: 403

Flywheel

Ref. No.	Part No.	Qty.	Description
1	57-8150	1	Screw-Cap Hex Hd
2	82-1320	1	Washer-Flat
3	59-0810	1	Washer-Flat
4	79-6440	1	Screen-Air Inlet
5	71-5920	1	Flywheel Incl 6
6	57-8180	1	Gear-Ring
7	71-6190	1	Key-Flywheel
8	71-6340	6	Spring-Compression

Ref. No.	Part No.	Qty.	Description



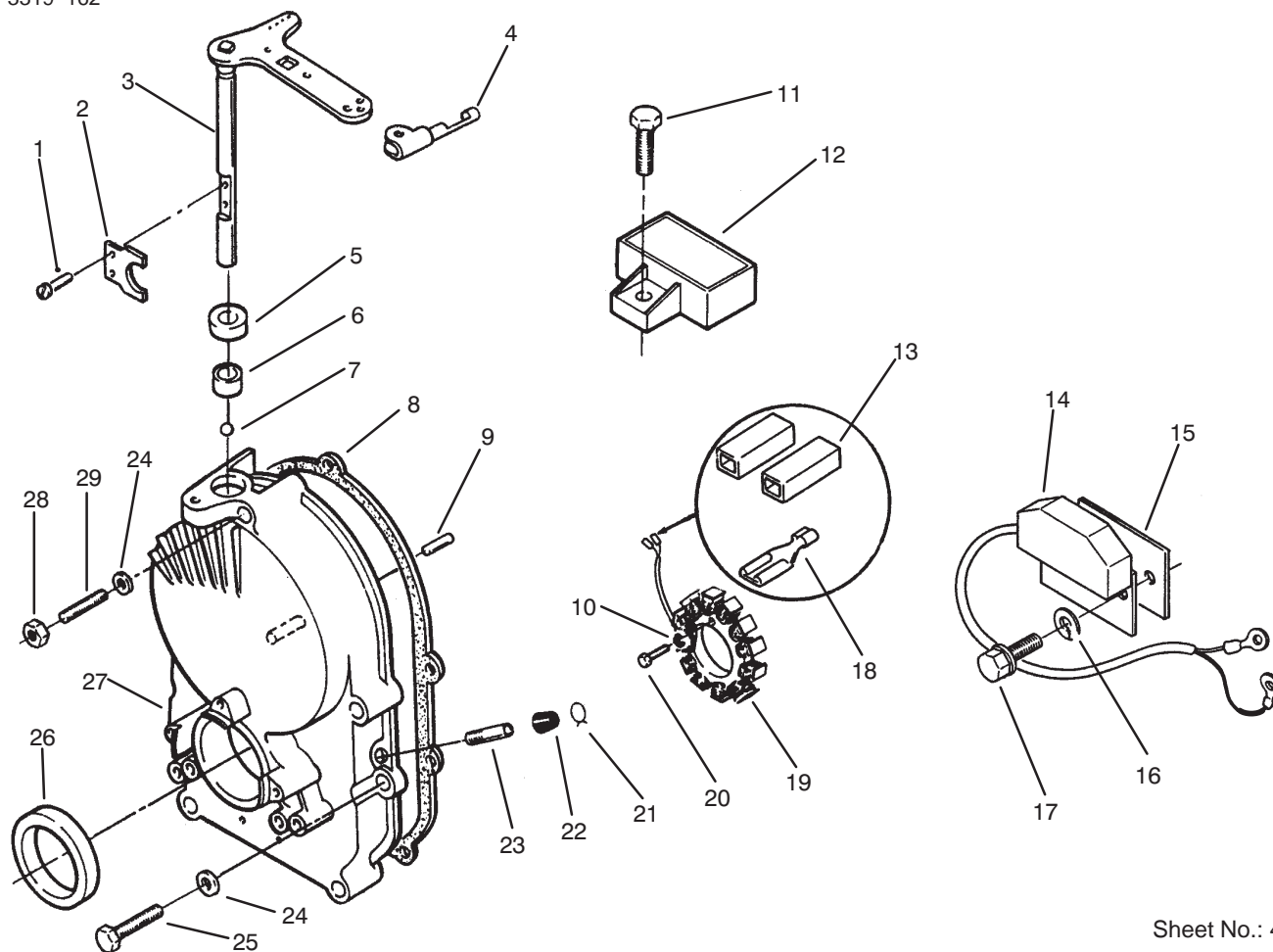
Sheet No.: 406

Oil Filter

Ref. No.	Part No.	Qty.	Description
1	79-6470	1	Gasket-Adapter
2	82-0500	1	Adapter-Oil Filter
3	57-9750	2	Washer-Flat
4	NN10373	2	Screw-Cap Hex Hd
5	59-0640	1	Elbow-Street 45 Degree
6	94-1845	1	Switch-Pressure
6	94-1845	1	Switch-Pressure
7	NN10143	1	Filter-Oil
8	82-0680	1	Filter-Gasket Oil
9	NN10894	1	Drain-Oil Filter
10	82-1510	2	Screw-Hex Hd

Ref. No.	Part No.	Qty.	Description

3319-162

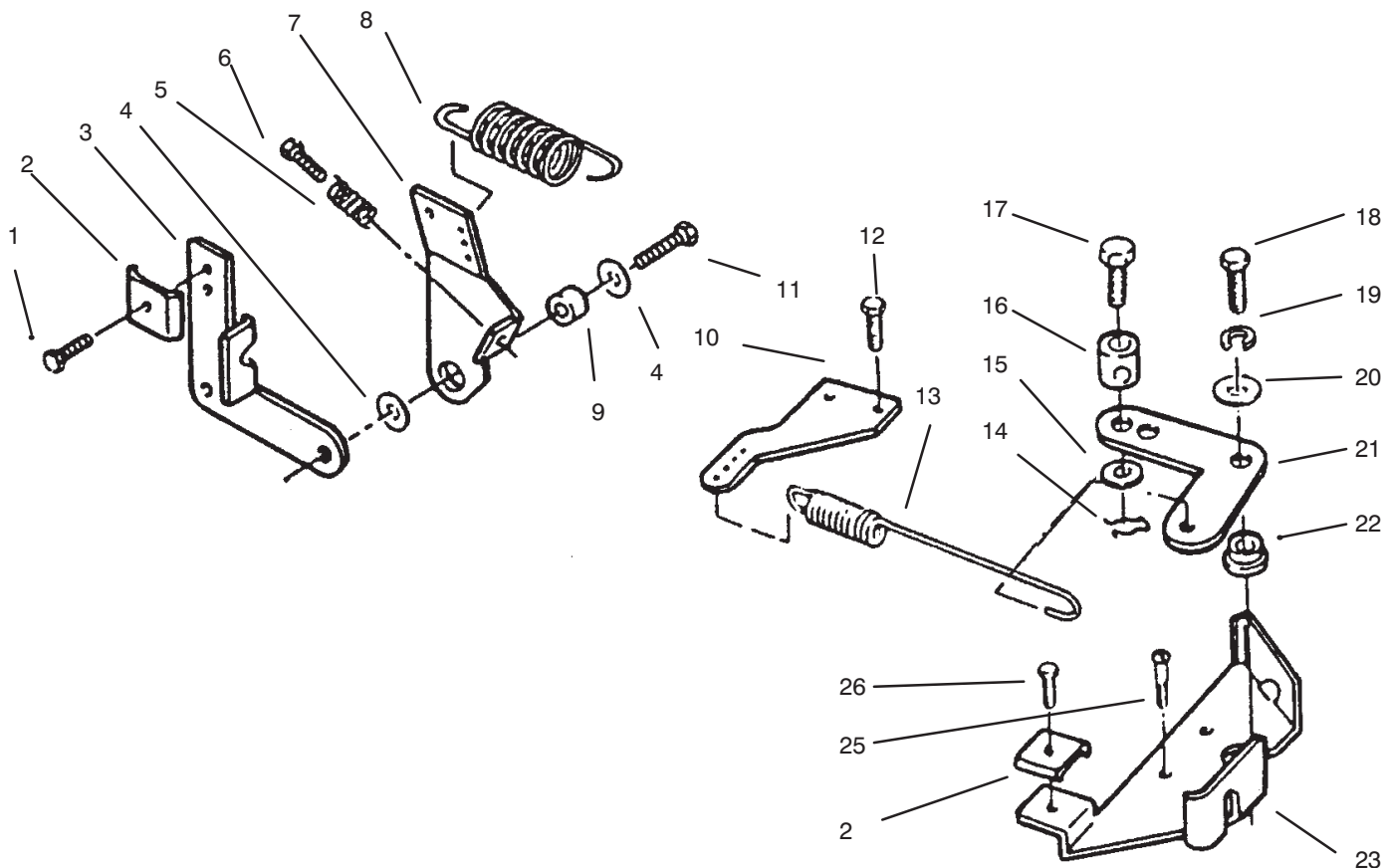


Sheet No.: 407

Gear Case & Ignition Controls

Ref. No.	Part No.	Qty.	Description
1	59-0950	2	Screw-Mach Pan Hd
2	59-0420	1	Yoke-Governor
3	NN10826	1	Shaft & Arm Governor
4	94-6680	1	Clip-Retaining New
5	57-9570	1	Seal-Oil
6	57-9650	1	Bearing-Govenor
7	57-9630	1	Bearing-Ball Gov Shaft
8	71-6360	1	Gasket-Mntg
9	59-0740	1	Pin-Dowel
10	3253-2	3	Washer-Lock #10
11	59-1080	1	Screw-Cap Flg Hd
12	57-9430	1	Regulator-Voltage 20 Amp
13	82-1000	2	Body-Term CoNN Kit
14	71-6380	1	Control-Ignition
15	71-6410	1	Insulator-Ignition
16	82-1660	2	Washer-Lock
17	NN10394	2	Screw-Hex Washer Hd
18	59-0590	2	Terminal-Stator Leads
19	92-0967	1	Stator
20	82-1500	3	Screw-Mach Hex Hd
21	57-9550	1	Clamp-Vacuum Port Cap

Ref. No.	Part No.	Qty.	Description
22	59-0370	1	Cap-Vacuum Port
23	59-0360	1	Tube-Vacuum Port
24	57-9750	5	Washer-Flat
25	NN10545	4	Screw-Hex Hd
26	57-9580	1	Seal-Oil
27	NN10825	1	Kit-Gearcase
28	59-1130	1	Nut-Hex
29	59-0790	1	Stud-Gear Cover

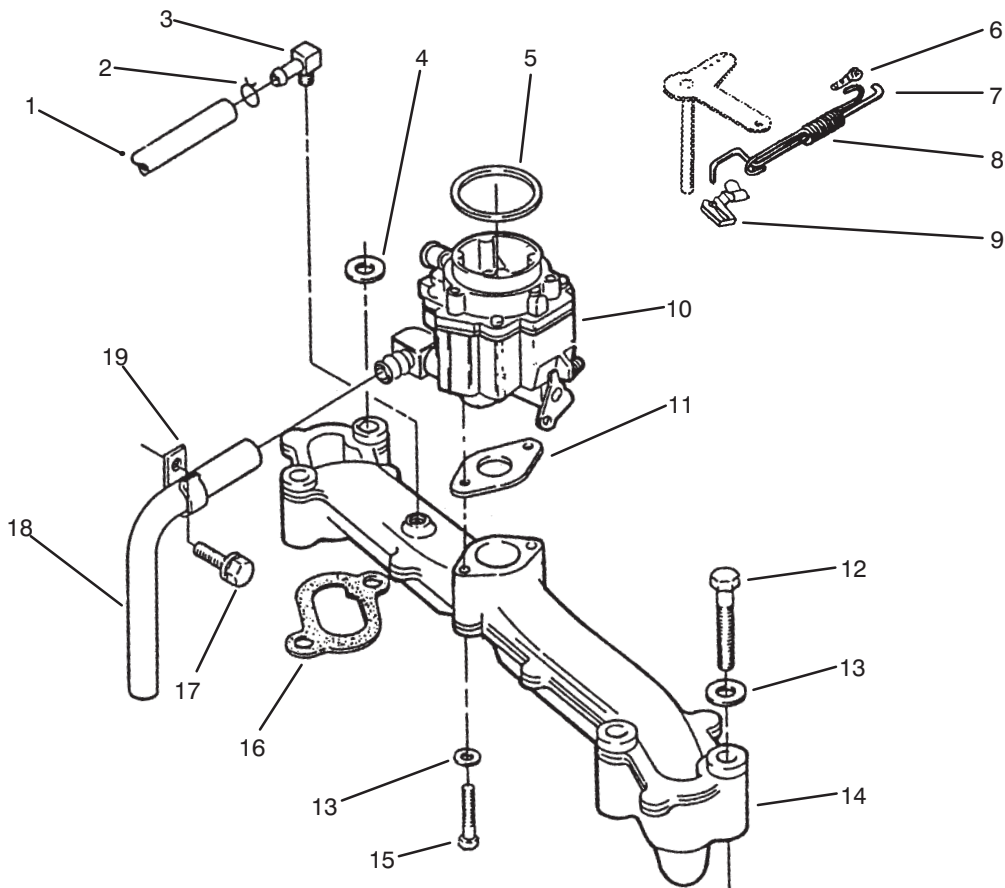


Sheet No.:410

Governor

Ref. No.	Part No.	Qty.	Description
1	72-3900	1	Screw-Tapping Hex Hd
2	57-9190	2	Clamp-Cable
3	79-6360	1	Bracket-Cable
4	59-0830	2	Washer-Flat
5	59-0430	1	Spring-Idle Setting
6	59-1030	1	Screw-Tapping Hex Hd
7	92-0922	1	Arm-Governor Control
8	57-9100	1	Spring-Governor
9	57-9120	1	Bushing-Control Arm
10	79-6420	1	Adapter-Governor Arm
11	59-1100	1	Screw-Lock Hd
12	NN10403	1	Screw-Self TAP Flg Hd
13	NN10932	1	Spring-Governor
14	59-0720	1	Pin-Cotter
15	201270	1	Washer
16	57-9120	1	Bushing-Control Arm
17	72-3890	1	Screw-Hex Hd
18	82-1370	1	Screw-Hex Hd
19	82-1620	1	Washer-Lock
20	59-0830	1	Washer-Flat
21	201256	1	Link-Governor Control

Ref. No.	Part No.	Qty.	Description
22	79-6400	1	Bushing-Governor Cont
23	79-6390	1	Bracket-Governor Cont
25	201327	1	Screw-Self TAP Flg Hd
26	59-1000	3	Screw

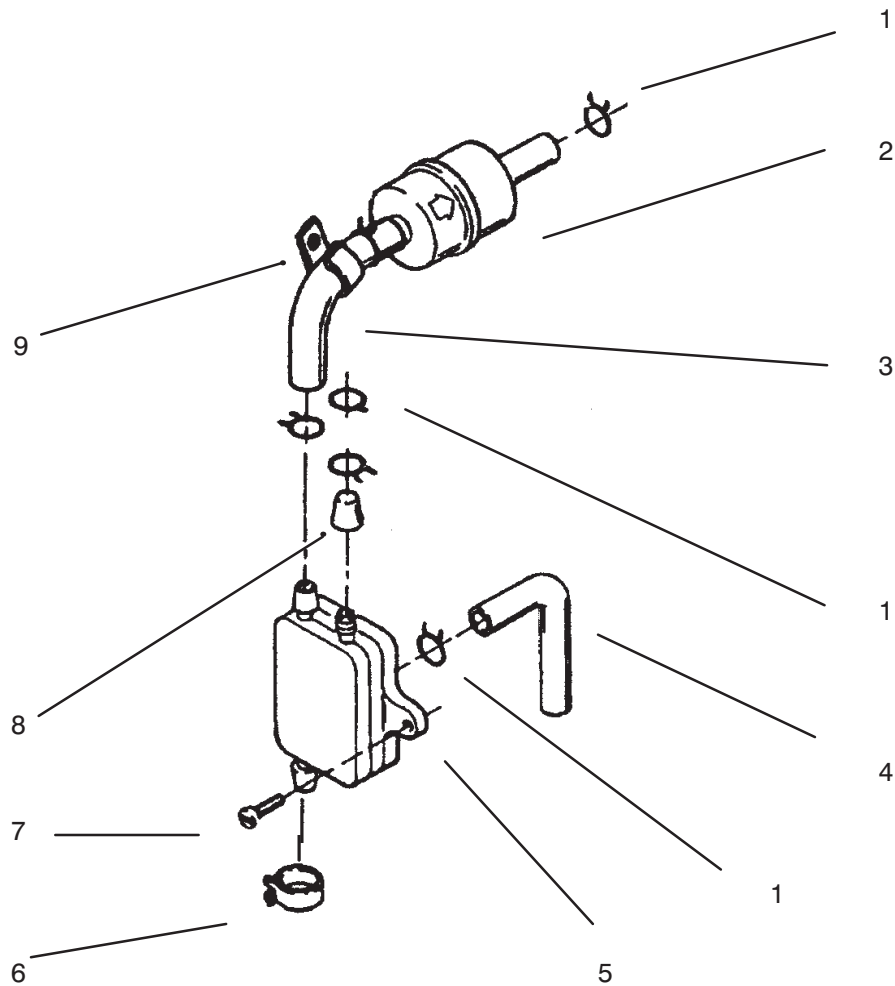


Sheet No.: 411

Intake Manifold & Carburetor

Ref. No.	Part No.	Qty.	Description
1	82-1120	1	Hose-Breather
2	82-1080	2	Clamp-Hose .50" Dia
2	82-1090	1	Clamp-Hose .44" Dia
3	82-1070	1	Fitting-Barbed
4	NN10362	1	Washer-Flat
5	57-9620	1	O Ring
6	57-9700	1	Clip-Retaining
7	92-0919	1	Rod-Governor Control
8	82-1740	1	Spring-Governor Rod
9	94-6680	1	Clip-Retaining New
10	94-1841	1	Kit-Carburetor (216)
10	94-1842	1	Jet-Altitude
10	94-1843	1	Kit-Repair
10	94-1844	1	Kit-Repair
11	82-0850	1	Gasket-Carb/Manifold
12	NN10375	4	Screw-Hex Hd
13	82-1350	6	Washer
14	541-0275	1	Manifold-Intake (216)
15	NN10545	2	Screw-Hex Hd
16	71-5980	2	Gasket-Manifold
17	82-1540	1	Bolt-Hex Hd
18	NN10306	1	Hose-Fuel 30"
19	71-6220	1	Clip-Wire
	94-1806	1	Decal-Ident
	94-1843	1	Kit-Repair
	94-1844	1	Kit-Repair

Ref. No.	Part No.	Qty.	Description
	94-1846	1	Harness-Wire
	94-1848	1	Jet-Altitude



Sheet No.: 413

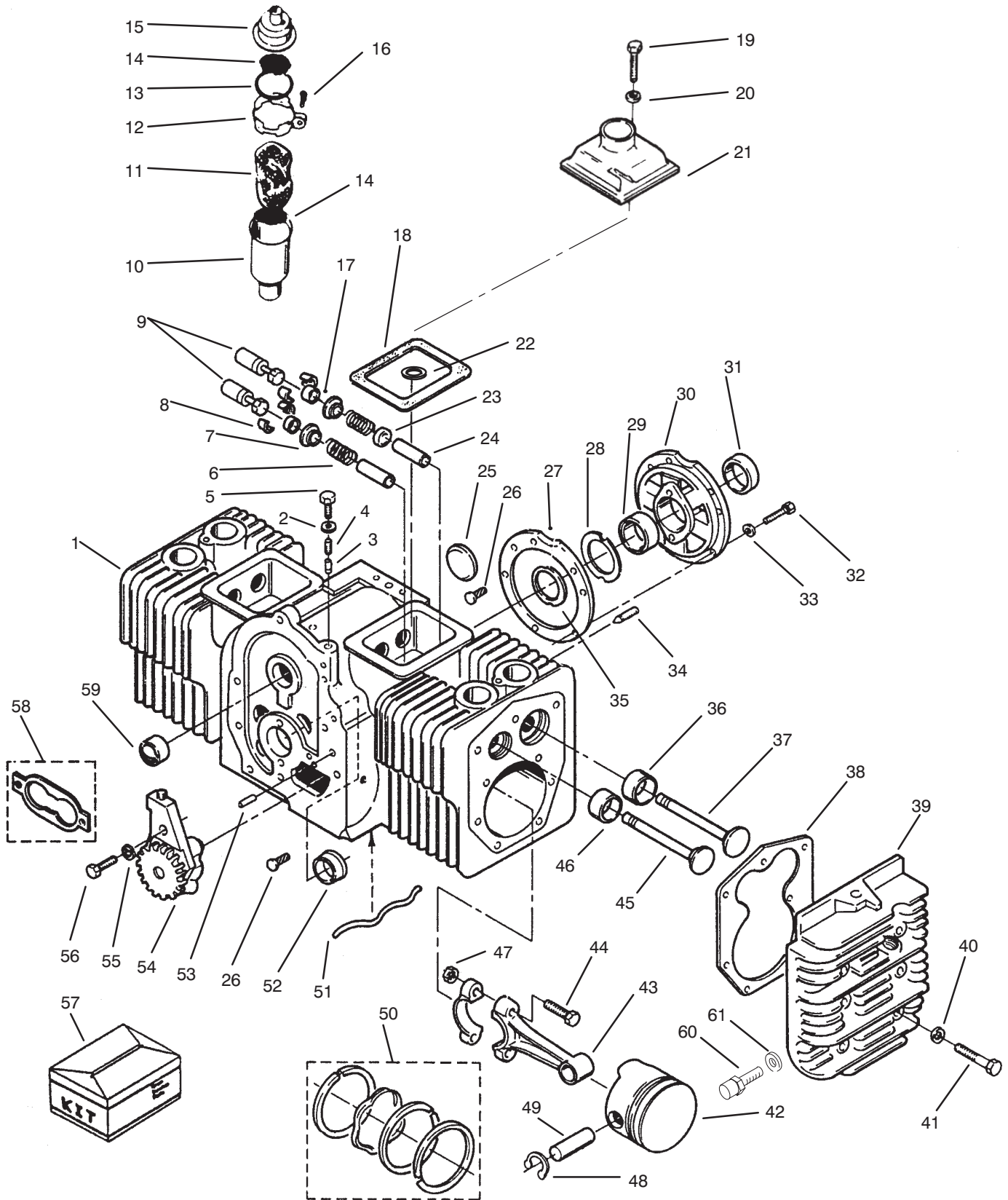
Fuel Filter & Pump

Ref. No.	Part No.	Qty.	Description
1	82-1080	6	Clamp-Hose .50" Dia
2	71-5960	1	Filter-Fuel
3	NN10790	1	Line-Fuel 12"
4	NN10302	1	Line-Fuel 7"
5	57-9080	1	Pump-Fuel
6	950154	2	Clamp-Corbin
7	59-1050	2	Screw St Pan Hd
8	NN10211	1	Cap-Fuel Fitting
9	NN10048	1	Clamp

Ref. No.	Part No.	Qty.	Description

This Page Intentionally Left Blank

Engine Cylinder Block



Engine Cylinder Block

Ref. No.	Part No.	Qty.	Description	Ref. No.	Part No.	Qty.	Description
1	NN10850	1	Block-Cylinder (Short)	43	NN10126	2	Rod w/Bolts & Nut .010"
2	57-9760	1	Washer-Flat	43	NN10127	2	Rod w/Bolts & Nut .020"
3	57-8470	1	Plunger-Bypass Valve	43	NN10128	2	Rod w/Bolts & Nut .030"
4	59-0280	1	Spring-Bypass Valve	44	57-8410	4	Bolt-CoNNeCting Rod
5	59-0910	1	Screw-Cap Hex Hd	45	71-5780	2	Spring-Clutch
6	71-5790	4	Spring-Valve	46	59-0100	2	Insert-Valve Seat Exh
7	71-5800	4	Washer-Valve Spring	46	59-0110	2	.002" Oversize
8	NN10082	8	Lock-Valve Spring	46	59-0120	2	.005" Oversize
9	57-8450	4	Tappet-Valve STD	46	59-0130	2	.010" Oversize
9	59-0260	4	.002" Oversize	46	59-0140	2	.025" Oversize
10	82-0540	1	Tube-Breather	47	57-9790	4	Nut
11	57-8580	1	Baffle-Breather Tube	48	57-9720	4	Ring-Retaining
12	82-0530	1	Clamp-Tube	49	71-6310	2	Pin-Piston
13	82-0570	1	O-Ring-Cap	50	92-0905	2	Kit-Ring Piston STD
14	82-0560	2	Screen-Tube	50	92-0906	2	.005" Oversize
15	82-0550	1	Cap & Valve-Breather	50	92-0907	2	.010" Oversize
16	82-1480	1	Screw-TAP Round Hd	50	92-0908	2	.020" Oversize
17	71-5830	4	Cap-Valve	50	92-0909	2	.030" Oversize
18	57-8280	2	Gasket-Cover	51	59-0290	1	Tube-Oil
19	NN10370	2	Screw-Cap Hex Hd	52	57-8020	1	Bearing-Crankshaft
20	57-9740	2	Washer-Flat	52	57-8030	1	.010" Undersize
21	NN10821	1	Cover-Valve	52	57-9360	1	.002" Undersize
22	59-0820	1	Washer-Flat	52	57-9800	1	.020" Undersize
23	71-6180	2	Seal-Valve	52	59-0010	1	.030" Undersize
24	71-6250	2	Guide-Valve	53	59-0750	2	Pin Align
24	71-6260	2	Guide-Valve	54	57-8480	1	Pump-Oil
25	57-9690	1	Plug-Welch	55	82-1340	2	Washer
26	59-0730	4	Pin-Drive	56	82-1370	2	Screw-Hex Hd
27	57-8010	1	Gasket-Bearing Plate	57	71-6290	1	Kit-Gasket Complete
28	57-8170	A/R	Shim-Crankshaft .005"	58	57-8460	1	Kit-Gasket
29	57-8050	1	Bearing-Crankshaft Rear	59	57-8000	2	Bearing-Camshaft
29	57-8060	1	.010" Undersize	60	NN10274	1	Switch-High Temp
29	57-8060	1	.010" Undersize	61	NN10924	1	Washer-Lock
29	59-0020	1	.002" Undersize				
29	59-0030	1	.020" Undersize				
29	59-0040	1	.030" Undersize				
30	82-0020	1	Plate-Bearing				
31	57-9590	1	Seal-Oil				
32	59-0880	5	Scew-Cap Flg Hd				
33	3253-5	5	Washer-Lock				
33	82-1310	5	Washer-Flat				
34	3247-4	2	Screw-HS				
35	57-8160	2	Washer-Thrust				
36	59-0050	2	Insert-Valve Seat Intake				
36	59-0080	2	.010" Oversize				
37	71-5770	2	Valve-Intake				
38	57-8330	2	Gasket-Head				
39	59-0180	1	Head-Cylinder RH				
39	71-5810	1	Head-Cylinder LH				
40	57-9770	18	Washer-Flat				
41	59-0900	18	Screw-Cap Hex Hd				
42	82-1800	2	Piston STD INC 48-49				
42	92-0902	2	.010" Oversize				
42	92-0903	2	.020" Oversize				
42	92-0904	2	.030" Oversize				
43	NN10125	2	Rod w/Bolts & Nuts STD				

Toro Part Number Index

Part No.	Page No.	Ref. No.	Qty.	Description
1121	6	9	1	Key
1239	13	17	1	Set Screw
1243	19	21	1	Plug-Cup
1278	2	9	3	Washer-Shim
1278	7	22	1	Washer-Shim
1278	14	14	4	Washer-Shim
1518	20	26:1	2	Bearing-Needle
1518	20	29:1	2	Bearing-Needle
1523	19	13	1	Bearing-Needle
1529	19	25	1	Bearing-Needle
1532	19	3	2	Bearing-Needle
1542	20	33	1	Bearing-Needle
2844	13	12	1	Washer-Flat
3023	9	25	2	Clip
3503	20	17	2	Fork-Shift
3517	19	22	2	Ball-Detent
3517	20	21	1	Ball-Detent
3527	19	15	1	Gear-Cluster Shaft
3577	13	21	1	Dust Cover
3624	6	12	1	Spring-Compression
3765	7	8	1	Washer-Shim
3765	11	8	1	Washer-Shim
3909	19	17	1	Pin
3912	19	8	1	Gasket-Transmission
3915	19	7	2	Pin-Dowel
4204	19	16	1	ASM-Gear
5108	14	3:3	2	Valve-Tire Tubeless
5108	14	10:3	2	Valve-Tire Tubeless
5173	20	28	1	Gear-Hi And 2nd
5174	20	27	1	Gear-Low And Reverse
5175	20	26	1	ASM-Gear
5210	2	17	14	Washer-Shim
5210	14	15	2	Washer-Shim
5280	6	22	1	Knob-Height Control
5614	19	24	1	Pin-Shift
5615	20	14	1	Rail-Shift
5616	20	15	1	Rail-Shift
5618	2	30	1	Ring-Retaining
5618	15	11	2	Ring-Retaining
5666	11	4	1	Bushing-Nyliner
5979	1	17	2	Bushing-Nyliner
5983	11	6	1	Bushing
6216	2	26	1	Pin-Pivot
6229	6	29	1	Bearing
6397	2	8	1	Bearing-Bronze
6472	2	1	1	Bearing-Flanged
6658	10	13	1	Race-Bearing
6659	10	12	2	Retainer
6662	10	16	1	Bearing-Needle
6663	10	15	1	Seal-Oil
6739	6	36	1	Trunnion
6820	8	8	1	Grip
7201	20	31	1	Shaft-Input
7204	20	29	1	ASM-Gear
7205	20	30	1	Gear-Sliding
7206	20	23	1	Gear
7207	20	22	2	Bearing-Needle
7208	20	24	1	Shaft-Gear
7213	20	18	1	Screw-Detent
7214	20	25	1	ASM-Lever
7215	20	25:1	1	Shift-Lever
7216	20	25:2	1	Shaft-Lever

*Not Illustrated

Toro Part Number Index (cont.)

Part No.	Page No.	Ref. No.	Qty.	Description
7269	19	18	1	Gear Cluster ASM
7418	20	32	1	Washer—Thrust
7451	7	3	1	Pulley—V
7456	4	10	4	Clamp
7466	10	9	1	Pulley—Engine
7879	8	1	2	Bushing
7896	2	12	1	Washer—Bowed
7896	7	19	1	Washer—Bowed
8130	6	13	1	Retainer—Spring
8616	15	20	2	Spring
8830	6	38	4	Retainer—"J"
8830	12	13	2	Retainer—"J"
8830	15	28	1	Retainer—"J"
8830	17	11	1	Retainer—"J"
8830	18	21	1	Retainer—"J"
9038	15	12	1	Grip
9416	19	4	2	Bearing—Needle
9547	20	7	1	Washer—Thrust
9593	13	10	1	Band—Brake
9598	13	9	1	Plate—Stop
100441	19	11	1	Seal—Oil
100442	20	34	1	Seal—Oil
100443	19	1	4	Seal—Oil
101017	15	15	1	Lock—Hitch
101161	7	11	1	Trunion
101623	20	10	8	Gear—Pinion
101707	15	23	1	Lock—Attachment
101750	15	19	1	Rod—Latch Pivot
101751	15	27	1	Rod—Lock
101850	1	15	1	Rod—Hood Stop
101884	5	14:1	1	Nut—Hex
101889	20	5	2	Gear—Axle
102025	8	10	1	Spacer
102138	5	13	1	Switch—Light
102703	13	5	1	Trans Nipple
102872	10	2	1	Shaft—PTO
102881	1	3	2	Headlamp
102950	5	13:	1	Washer—Tab
102974	20	9	1	ASM—Gear
103125	11	7	1	Spring—Extension
103347	7	14	1	Rod—Clutch
103480	3	25	1	Switch—Interlock
103628	8	6	1	Spring—Extension
104047	17	1:3	1	Bushing
104048	17	1:2	1	Assembly—Valve
104859	11	16	1	Spacer—Link
105061	20	8	1	Gear—Differential
105202	9	22	2	Base—Light
105269	15	5	1	Pin—Drawbar Hitch
105316	6	10	2	Cap—Rod
105316	15	14	2	Cap—Rod
105453	10	10	1	Key—Sq
105503	9	5	2	Bushing
105797	1	18	2	Ring—Retaining
105797	15	18	8	Ring—Retaining
105875	19	2	2	Axle—Rear
105876	20	6	2	Ring—Retaining
105900	8	13	1	Rod—Brake
106030	19	23	1	Spring—Stop
106030	20	20	1	Spring—Stop
106165	13	19	1	Pulley—Transmission
106193	7	2	1	Screw—Spec HH

*Not Illustrated

Toro Part Number Index (cont.)

Part No.	Page No.	Ref. No.	Qty.	Description
106234	17	1	1	ASM—Tank
106235	17	1:1	1	Tank—Fuel
106257	6	18	1	Rod—Latch
106269	6	3	2	Bearing—Flange
106417	8	16	1	Rod—Pivot
106522	6	35	1	Chain—Lift
106634	15	8	1	Pin—Tool
106695	10	20	1	Ring—Push On
106719	13	11	1	Drum—Brake
106948	16	8	1	Tray—Battery
107069	3	19	4	Nut—Retainer
107069	4	5	6	Nut—Retainer
107374	20	3	4	Washer—Flat
107677	8	12	1	Spring—Extension
108457	4	14	1	Nut—Push On
108565	6	8	1	Shaft—Lift Lever
108758	13	3	1	Knob
108881	15	4	6	Nut—Hex
108881	20	11	4	Nut—Hex
109102	18	9:2	1	Fuse—25 Amp
109189	2	16	1	Bearing—Flange
109262	2	13	2	Washer
109355	18	9:2	1	Fuse—15 Amp
109459	1	5	2	Clamp—Headlight
109494	1	2	1	Bezel—RH Headlight
109495	1	1	1	Bezel—LH Headlight
109500	14	10:6	2	Fitting—Grease
109530	5	20	1	Nut—Hex Palnut
109842	10	5	1	Bearing—Ball
109989	9	13	2	Spacer
110234	13	13	1	Screw
110513	14	10:2	4	Bearing—Wheel
110653	6	26	1	Rod—Height Control
110656	11	19	1	Trunnion
110669	11	17	1	Plate—PTO
110727	13	23	1	Rod—Shift
111052	11	23	1	Rod—PTO Clutch
111096	20	29	1	Gear
111099	20	26	1	Gear
111196	20	4	2	Cap—End
111199	20	2	2	Bearing—Ball
111216	5	14	1	Switch—Ignition
111314	10	27	1	Lock Pin ASM
111332	3	17	1	Switch—Interlock
111332	18	4	2	Switch—Interlock
111343	5	8	5	Lens & Bushing ASM
111359	5	15:1	1	Nut—Hex
111383	7	18	1	Collar w/Set Screw
111383	8	20	1	Collar w/Set Screw
111392	3	16	1	Retainer
111516	14	3:1	2	Wheel
111757	1	7	1	Edging
111767	5	15:2	1	Washer—Lock
111951	14	12	2	Cap—Hub
111952	14	13	2	Washer
112358	1	28	1	ASM—Hood & Grill
112415	3	7	1	Stop—PTO
112506	3	14	1	Bracket
112564	9	26	2	Lens—Light
113010	16	10	1	Hold Down
113107	10	26	1	Clevis
113108	10	1	1	Rod—PTO Housing

*Not Illustrated

Toro Part Number Index (cont.)

Part No.	Page No.	Ref. No.	Qty.	Description
113179	5	13:	1	Nut—Hex
113443	2	14	1	Tube—Steering Shaft
113925	16	1	1	Cable—40" Lg
113969	16	9	2	Hook—Retainer
114052	1	4	1	Wire Harness
114210	16	6	1	Cable—24" Lg
114621	3	29	1	Decal—Noise
114636	12	8	1	Nipple
114720	16	7	1	Tube—Battery Drain
114763	12	10	1	Nipple
114764	12	9	1	Elbow—90 DEG
114825	5	16	1	Board—Pc
114888	12	1	2	Screw
114951	5	9	1	Control—Choke
115392	5	17	1	Control—Throttle
115411	18	2	1	Bracket—Switch
116000	4	8	6	Screw—CARR
116397	18	17	2	Relay
116471	12	5	1	Muffler
116636	20	19	1	ASM—Fork
116744	14	3:2	2	Tire
116745	1	19	1	Rod—Grill Pivot
116746	1	20	1	Bracket—Grill RH
116747	1	13	1	Bracket—Grill LH
116796	5	15	1	Switch—Button
117127	14	10:4	2	Tire
117217	5	15:3	1	Button—Switch
117343	3	11	2	Latch—Hood
117344	1	10	2	Handle—Latch
117371	3	21	4	Screw—CARR
117377	5	4	1	Harness—P C Board
117432	1	9	4	Poprivet
117432	3	12	4	Poprivet
117930	15	17	1	Latch ASM—Mid
118530	12	29	1	Name Plate—Toro Logo
118530	22	19	1	Name Plate—Toro Logo
118540	12	30	1	Decal—Power Plus 16
120930	18	9:1	1	Fuse Holder
201256	30	21	1	Link—Governor Control
201270	30	15	1	Washer
201327	30	25	1	Screw—Self TAP Flg Hd
519337	17	16	1	Clip
700806	9	15	2	Knob
701178	9	1	2	Cap—Protector
911423	20	1	4	Screw—HH
920248	7	16	1	Washer—Nylon
920248	8	4	2	Washer—Nylon
933148	6	17	1	Pin—Spirol
933156	20	16	2	Pin—Hd Spirol
933184	13	22	1	Pin—Spirol
933190	7	13	1	Pin
933267	7	33	1	Pin
933274	10	25	1	Pin—Spirol
937108	13	25	2	Key—Woodruff
937221	13	18	1	Key—Woodruff
950154	33	6	2	Clamp—Corbin
9080026	10	14	4	Screw—Lock
9104784	18	5	2	Screw
9107562	5	3	2	Screw—Phcr
9107622	3	9	2	Screw—Phcr
9107922	5	7	2	Screw—Phcr
9107944	18	8	2	Screw—Phcr

*Not Illustrated

Toro Part Number Index (cont.)

Part No.	Page No.	Ref. No.	Qty.	Description
9108372	3	1	6	Screw—Phcr
9108372	4	7	2	Screw—Phcr
9109484	3	6	2	Screw—Phcr
9151126	3	22	4	Nut
9157324	3	18	2	Nut—Lock
9157324	5	5	2	Nut—Lock
9157324	18	1	2	Nut—Lock
9157404	5	1	2	Nut
9157404	18	12	2	Nut
9159604	3	15	2	Nut
9201504	3	10	2	Washer—Lock
9201604	5	14:2	1	Washer—Lock
9202254	7	23	1	Washer—Flat
9202594	5	21	1	Washer
9202624	5	18	1	Washer—Flat
9266714	1	6	2	Screw—HWHTF
9266714	18	6	1	Screw—HWHTF
9266944	3	8	11	Screw—HH
9266944	4	15	1	Screw—HH
9266944	6	7	1	Screw—HH
9266944	8	17	1	Screw—HH
9266944	9	10	8	Screw—HH
9266944	11	27	1	Screw—HH
9266944	18	20	5	Screw—HH
9266964	6	21	2	Screw—HH
9266974	17	8	2	Screw—HH
9335054	6	32	2	Hairpin
9335054	8	3	2	Hairpin
9335054	11	21	1	Hairpin
9335054	15	10	1	Hairpin
9335064	10	23	1	Hairpin
9335074	6	19	2	Cotter—Hairpin
9791204	15	6	2	Spacer
NN10032	24	9	1	Camshaft (216)
NN10048	33	9	1	Clamp
NN10082	35	8	8	Lock—Valve Spring
NN10125	35	43	2	Rod w/Bolts & Nuts STD
NN10126	35	43	2	Rod w/Bolts & Nut .010"
NN10127	35	43	2	Rod w/Bolts & Nut .020"
NN10128	35	43	2	Rod w/Bolts & Nut .030"
NN10143	26	7	1	Filter—Oil
NN10159	25	13	1	Cap—Indicator Oil Fill
NN10176	29	2	1	Wrapper—Element
NN10187	29	17	1	Tube—Air Intake
NN10190	29	19	1	Gasket
NN10211	33	8	1	Cap—Fuel Fitting
NN10253	28	9	1	Cable—Spark Plug 9"
NN10254	28	9	1	Cable—Spark Plug 18.5"
NN10274	35	60	1	Switch—High Temp
NN10277	18	9:2	1	Fuse—30 Amp
NN10302	33	4	1	Line—Fuel 7"
NN10306	31	18	1	Hose—Fuel 30"
NN10362	31	4	1	Washer—Flat
NN10370	35	19	2	Screw—Cap Hex Hd
NN10373	26	4	2	Screw—Cap Hex Hd
NN10375	31	12	4	Screw—Hex Hd
NN10379	25	7	4	Screw—Cap Hex Hd
NN10390	29	13	1	Screw—Hex Washer Hd
NN10394	27	17	2	Screw—Hex Washer Hd
NN10403	30	12	1	Screw—Self TAP Flg Hd
NN10448	25	11	1	Tube—Oil Fill
NN10545	27	25	4	Screw—Hex Hd

*Not Illustrated

Toro Part Number Index (cont.)

Part No.	Page No.	Ref. No.	Qty.	Description
NN10545	28	12	1	Screw—Hex Hd
NN10545	31	15	2	Screw—Hex Hd
NN10769	22	17	1	Housing—Blower
NN10774	29	1	1	Element—Air Cleaner
NN10790	33	3	1	Line—Fuel 1/2"
NN10821	35	21	1	Cover—Valve
NN10825	27	27	1	Kit—Gearcase
NN10826	27	3	1	Shaft & Arm Governor
NN10830	32	7	1	Plug—Cap
NN10832	22	22	1	Bracket—Governor Adjust
NN10850	35	1	1	Block—Cylinder (Short)
NN10853	24	11	1	Crankshaft
NN10894	26	9	1	Drain—Oil Filter
NN10924	35	61	1	Washer—Lock
NN10929	21	12	1	Kit—Mounting Bracket
NN10930	21	9	1	Cap—Starter Solenoid
NN10932	30	13	1	Spring—Governor
28-8080	16	2	1	Boot—Battery Terminal
38-1420	9	19	1	Switch—Seat
49-2040	12	4	3	Screw—HH
55-3570	17	7	1	Cap—Fuel
57-8000	35	59	2	Bearing—Camshaft
57-8010	35	27	1	Gasket—Bearing Plate
57-8020	35	52	1	Bearing—Crankshaft
57-8030	35	52	1	.010" Undersize
57-8050	35	29	1	Bearing—Crankshaft Rear
57-8060	35	29	1	.010" Undersize
57-8060	35	29	1	.010" Undersize
57-8090	25	5	1	Gasket—Base
57-8130	24	12	1	Gear—Crankshaft
57-8140	24	13	1	Washer—Gear
57-8150	23	1	1	Screw—Cap Hex Hd
57-8160	35	35	2	Washer—Thrust
57-8170	35	28	A/R	Shim—Crankshaft .005"
57-8180	23	6	1	Gear—Ring
57-8210	24	5	1	Gear—Camshaft
57-8230	24	6	1	Washer—Thrust
57-8280	35	18	2	Gasket—Cover
57-8330	35	38	2	Gasket—Head
57-8410	35	44	4	Bolt—CoNNecting Rod
57-8450	35	9	4	Tappet—Valve STD
57-8460	35	58	1	Kit—Gasket
57-8470	35	3	1	Plunger—Bypass Valve
57-8480	35	54	1	Pump—Oil
57-8490	25	4	1	Cup—Intake
57-8580	35	11	1	Baffle—Breather Tube
57-9080	33	5	1	Pump—Fuel
57-9090	24	1	1	Ring—Retaining
57-9100	30	8	1	Spring—Governor
57-9120	30	9	1	Bushing—Control Arm
57-9120	30	16	1	Bushing—Control Arm
57-9130	24	2	1	Hub—Governor Cup
57-9170	32	9	1	Swivel—Choke Lever
57-9180	32	3	1	Link—Choke
57-9190	30	2	2	Clamp—Cable
57-9190	32	4	1	Clamp—Cable
57-9210	12	21	2	Gasket—Manifold
57-9340	28	8	2	Plug—Spark
57-9360	35	52	1	.002" Undersize
57-9430	27	12	1	Regulator—Voltage 20 Amp
57-9550	27	21	1	Clamp—Vacuum Port Cap
57-9570	27	5	1	Seal—Oil

*Not Illustrated

Toro Part Number Index (cont.)

Part No.	Page No.	Ref. No.	Qty.	Description
57-9580	27	26	1	Seal-Oil
57-9590	35	31	1	Seal-Oil
57-9610	25	12	1	O Ring-Cap
57-9620	31	5	1	O Ring
57-9630	27	7	1	Bearing-Ball Gov Shaft
57-9640	24	4	1	Ball-Governor
57-9650	27	6	1	Bearing-Governor Shaft
57-9660	24	8	1	Key-Woodruff
57-9660	24	15	1	Key-Woodruff
57-9690	35	25	1	Plug-Welch
57-9700	31	6	1	Clip-Retaining
57-9710	24	14	1	Ring-Retaining
57-9720	35	48	4	Ring-Retaining
57-9740	35	20	2	Washer-Flat
57-9750	26	3	2	Washer-Flat
57-9750	27	24	5	Washer-Flat
57-9760	35	2	1	Washer-Flat
57-9770	21	3	2	Washer-Flat
57-9770	35	40	18	Washer-Flat
57-9790	35	47	4	Nut
57-9800	35	52	1	.020" Undersize
59-0010	35	52	1	.030" Undersize
59-0020	35	29	1	.002" Undersize
59-0030	35	29	1	.020" Undersize
59-0040	35	29	1	.030" Undersize
59-0050	35	36	2	Insert-Valve Seat Intake
59-0080	35	36	2	.010" Oversize
59-0100	35	46	2	Insert-Valve Seat Exh
59-0110	35	46	2	.002" Oversize
59-0120	35	46	2	.005" Oversize
59-0130	35	46	2	.010" Oversize
59-0140	35	46	2	.025" Oversize
59-0180	35	39	1	Head-Cylinder RH
59-0260	35	9	4	.002" Oversize
59-0280	35	4	1	Spring-Bypass Valve
59-0290	35	51	1	Tube-Oil
59-0360	27	23	1	Tube-Vacuum Port
59-0370	27	22	1	Cap-Vacuum Port
59-0400	24	7	1	Pin-Center
59-0420	27	2	1	Yoke-Governor
59-0430	30	5	1	Spring-Idle Setting
59-0450	24	3	1	Cup-Governor
59-0470	32	1	1	Bracket-Choke Cable
59-0580	22	3	1	Clamp-Wire
59-0590	27	18	2	Terminal-Stator Leads
59-0640	26	5	1	Elbow-Street 45 Degree
59-0720	30	14	1	Pin-Cotter
59-0720	32	10	1	Pin-Cotter
59-0730	35	26	4	Pin-Drive
59-0740	27	9	1	Pin-Dowel
59-0750	35	53	2	Pin Align
59-0790	27	29	1	Stud-Gear Cover
59-0810	23	3	1	Washer-Flat
59-0820	22	16	4	Washer-Flat
59-0820	35	22	1	Washer-Flat
59-0830	22	5	6	Washer-Flat
59-0830	30	4	2	Washer-Flat
59-0830	30	20	1	Washer-Flat
59-0850	32	12	1	Washer-Flat
59-0880	35	32	5	Scew-Cap Flg Hd
59-0900	35	41	18	Screw-Cap Hex Hd
59-0910	35	5	1	Screw-Cap Hex Hd

*Not Illustrated

Toro Part Number Index (cont.)

Part No.	Page No.	Ref. No.	Qty.	Description
59-0950	27	1	2	Screw—Mach Pan Hd
59-0970	22	6	2	Screw TAP Flg Hd
59-0980	22	4	2	Screw TAP Washer Hd
59-1000	30	26	3	Screw
59-1030	30	6	1	Screw—Tapping Hex Hd
59-1050	33	7	2	Screw St Pan Hd
59-1080	22	9	4	Screw—Cap Flg Hd
59-1080	27	11	1	Screw—Cap Flg Hd
59-1100	22	21	2	Screw—Lock Hd
59-1100	30	11	1	Screw—Lock Hd
59-1130	27	28	1	Nut—Hex
59-1180	29	14	1	Capacitor
62-2730	21	13	1	Kit—Bushing
62-2740	21	11	1	Starter Brush Kit
62-2760	21	1	1	Kit—Starter Hardware
62-2770	21	7	1	Kit—Starter Shift Lever
62-7770	5	10	2	Key—Ignition
66-0120	5	6	1	Knob
71-5730	25	8	1	Base—Oil
71-5770	35	37	2	Valve—Intake
71-5780	35	45	2	Spring—Clutch
71-5790	35	6	4	Spring—Valve
71-5800	35	7	4	Washer—Valve Spring
71-5810	35	39	1	Head—Cylinder LH
71-5830	35	17	4	Cap—Valve
71-5920	23	5	1	Flywheel Incl 6
71-5960	33	2	1	Filter—Fuel
71-5980	31	16	2	Gasket—Manifold
71-5990	28	1	1	Cover—Plunger
71-6000	28	7	1	Coil—Battery Ignition
71-6010	28	13	1	Rotor—Ignition
71-6040	21	2	1	Starter Incl 1-13
71-6060	28	10	1	Clip—Wire
71-6080	22	10	2	Bracket—Lift
71-6140	29	16	1	Grommer—Rubber
71-6170	25	9	1	Seal—Oil
71-6180	35	23	2	Seal—Valve
71-6190	23	7	1	Key—Flywheel
71-6220	22	7	1	Clip—Wire
71-6220	28	11	2	Clip—Wire
71-6220	31	19	1	Clip—Wire
71-6250	35	24	2	Guide—Valve
71-6260	35	24	2	Guide—Valve
71-6290	35	57	1	Kit—Gasket Complete
71-6310	35	49	2	Pin—Piston
71-6340	23	8	6	Spring—Compression
71-6360	27	8	1	Gasket—Mntg
71-6380	27	14	1	Control—Ignition
71-6410	27	15	1	Insulator—Ignition
71-6430	28	5	1	Nut—Hex Flg Hd
71-6440	28	4	1	Nut—Hex Flg Hd
71-6460	28	6	2	Screw—Hex Washer Hd
72-3880	32	2	1	Screw—Cap Flg Hd
72-3890	30	17	1	Screw—Hex Hd
72-3890	32	8	1	Screw—Hex Hd
72-3900	30	1	1	Screw—Tapping Hex Hd
72-3900	32	5	1	Screw—Tapping Hex Hd
72-3930	21	8	1	Kit—Starter Solenoid
72-3940	21	6	1	Clutch—Starter
72-3950	21	5	1	Seal—Dust
78-0080	5	12:	1	Bracket—Mounting
78-1550	6	28	1	Lever—Lift

*Not Illustrated

Toro Part Number Index (cont.)

Part No.	Page No.	Ref. No.	Qty.	Description
78-2880-01	2	4	1	Shaft-Steering
78-2900	2	33	2	ASM-Rod
78-2970-01	7	5	1	ASM-Clutch Idler Arm
78-3010-03	3	23	1	Bracket-Battery Support
78-3020-03	18	22	1	Plate-Front
78-3240	7	29	1	Absorber-Gas Spring
78-3250	7	28	1	Spacer-Shoulder
78-3260	7	32	1	Spacer-Shoulder
79-0060	5	12	1	Voltmeter
79-0950-03	9	17	1	Bracket-Pivot RH
79-0970-03	9	12	1	Bracket-Pivot LH
79-3600	18	9	1	Wire Harness
79-4990-01	17	19	1	Bracket-Fender Support
79-6330	29	11	1	Housing-Air Cleaner
79-6340	29	12	1	Support-Air Cleaner
79-6360	30	3	1	Bracket-Cable
79-6390	30	23	1	Bracket-Governor Cont
79-6400	30	22	1	Bushing-Governor Cont
79-6420	30	10	1	Adapter-Governor Arm
79-6440	23	4	1	Screen-Air Inlet
79-6460	25	2	1	Bracket-Fill Tube
79-6470	26	1	1	Gasket-Adapter
79-6490	28	14	1	Gasket-Plate
79-6510	29	3	1	Spacer-Stud
79-6520	29	4	1	Spacer-Nylon
79-6580	21	4	2	Screw-Cap
82-0020	35	30	1	Plate-Bearing
82-0500	26	2	1	Adapter-Oil Filter
82-0530	35	12	1	Clamp-Tube
82-0540	35	10	1	Tube-Breather
82-0550	35	15	1	Cap & Valve-Breather
82-0560	35	14	2	Screen-Tube
82-0570	35	13	1	O-Ring-Cap
82-0620	22	18	1	Guard-Stationary
82-0650	29	8	1	Cover-INNer
82-0680	26	8	1	Filter-Gasket Oil
82-0850	31	11	1	Gasket-Carb/Manifold
82-1000	27	13	2	Body-Term CoNN Kit
82-1070	31	3	1	Fitting-Barbed
82-1080	31	2	2	Clamp-Hose .50" Dia
82-1080	33	1	6	Clamp-Hose .50" Dia
82-1090	31	2	1	Clamp-Hose .44" Dia
82-1120	31	1	1	Hose-Breather
82-1130	25	10	2	Plug-Square Head
82-1310	25	6	4	Washer-Flat
82-1310	35	33	5	Washer-Flat
82-1320	23	2	1	Washer-Flat
82-1340	28	2	2	Washer
82-1340	35	55	2	Washer
82-1350	31	13	6	Washer
82-1360	28	3	2	Screw-Hex Hd
82-1370	30	18	1	Screw-Hex Hd
82-1370	35	56	2	Screw-Hex Hd
82-1480	35	16	1	Screw-TAP Round Hd
82-1500	27	20	3	Screw-Mach Hex Hd
82-1510	26	10	2	Screw-Hex Hd
82-1540	22	8	1	Bolt-Hex Hd
82-1540	31	17	1	Bolt-Hex Hd
82-1550	29	9	2	Screw-Hex Washer Hd
82-1560	25	1	1	Screw
82-1590	22	20	4	Screw-PH Torx
82-1600	22	2	2	Screw-Cap Hex Flg Hd

*Not Illustrated

Toro Part Number Index (cont.)

Part No.	Page No.	Ref. No.	Qty.	Description
82-1620	30	19	1	Washer-Lock
82-1660	27	16	2	Washer-Lock
82-1670	29	5	1	Nut-Wing
82-1690	29	15	1	Nut-Hex Washer Hd
82-1700	25	3	1	Nut-Speed
82-1740	31	8	1	Spring-Governor Rod
82-1800	35	42	2	Piston STD INC 48-49
83-2710	13	1	1	Knob
83-2720	14	2	10	Bolt-Lug
83-2890	19	12	1	Bearing-Needle
83-3530	19	19	1	Shaft-Cluster
83-6520	15	16	1	Rod-Lock
88-2170-03	3	24	1	Bracket-Belt
88-2710-01	2	5	1	Support-Lower Steering
88-3870	2	21:1	1	Cover-Steering Wheel
92-0902	35	42	2	.010" Oversize
92-0903	35	42	2	.020" Oversize
92-0904	35	42	2	.030" Oversize
92-0905	35	50	2	Kit-Ring Piston STD
92-0906	35	50	2	.005" Oversize
92-0907	35	50	2	.010" Oversize
92-0908	35	50	2	.020" Oversize
92-0909	35	50	2	.030" Oversize
92-0911	24	10	1	Sleeve-Bearing
92-0915	29	10	2	Screw-Mach Hex Hd
92-0916	32	6	1	Screw-Shoulder
92-0919	31	7	1	Rod-Governor Control
92-0920	22	1	1	Housing-Cylinder Air LH
92-0921	22	12	1	Housing-Cylinder Air RH
92-0922	30	7	1	Arm-Governor Control
92-0967	27	19	1	Stator
92-1525-03	3	20	1	Hoodstand
92-4987	2	19	1	Shaft-Steering
92-5935	21	10	1	Nut
92-6511	9	9	1	Seat
92-6710	6	11	1	Grip-Handle
92-6750	9	8	2	Spacer-Nylon
92-6849	8	23	1	Rod-Brake
92-6972-03	9	7	1	Support-Seat
92-6986	9	6	2	Bolt-Shoulder
92-7054	9	3	2	Spring-Compression
92-8747	15	29	2	Decal-Attach A Matic
92-8946	3	31	1	Decal-Danger
92-9513	17	20	1	Line-Fuel 47"
92-9824	1	27	1	Decal-Hood LH
92-9825	1	25	1	Decal-Hood RH
92-9826	1	24	1	Decal-Front Hood
92-9827	9	28	1	Decal-Fender
92-9831	3	30	2	Decal- 416-8 Speed
93-1613	15	22	1	Latch-Front
93-6668	16	14	1	Decal-Instruct
93-7276	16	15	1	Decal-Danger
93-7314	3	31	1	Decal-Danger
93-7336	1	26	1	Decal-Danger
93-7845	3	32	1	Decal-Pattern
93-7846	3	36	1	Decal-System
93-7847	3	33	1	Decal-Clutch
93-7848	3	35	1	Decal-Lift
93-9287-03	12	26	2	Bar-Guard
93-9350	3	37	1	Decal-Dash
93-9352	3	38	1	Decal-Brake
93-9800	14	10	2	ASM-Wheel & Tire

*Not Illustrated

Toro Part Number Index (cont.)

Part No.	Page No.	Ref. No.	Qty.	Description
93-9801	14	10:1	2	ASM-Wheel w/Zerk
93-9809	7	1	1	V-Belt
94-1584-03	11	24	2	Bar-Support
94-1587-03	11	26	1	Guard
94-1803-03	12	3	1	Baffle-Deflector
94-1806	31		1	Decal-Ident
94-1809-03	3	2	1	Plate-Hoodstand
94-1810	12	7	1	Engine-Onan
94-1834	13	24	1	Decal-Unidrive
94-1840	29	6	1	Cover-Cleaner
94-1840	29	6	1	Cover-Cleaner
94-1841	31	10	1	Kit-Carburetor (216)
94-1842	31	10	1	Jet-Altitude
94-1843	31		1	Kit-Repair
94-1843	31	10	1	Kit-Repair
94-1844	31		1	Kit-Repair
94-1844	31	10	1	Kit-Repair
94-1845	26	6	1	Switch-Pressure
94-1845	26	6	1	Switch-Pressure
94-1846	31		1	Harness-Wire
94-1848	31		1	Jet-Altitude
94-1849	5	11:2	1	Cup-Retainer
94-2869	9	14	2	Washer-Flat
94-3519	2	21	1	Wheel-Steering
94-3521-01	4	17	1	Footrest RH
94-3522-01	4	9	1	Footrest LH
94-3701	11	2	1	Rod-PTO Control
94-3703-01	7	20	1	Pedal-Clutch
94-3704	10	21	1	Belt Cover-PTO
94-3706-01	8	18	1	Pedal-Brake
94-3710	4	1	1	Mat-Foot RH
94-3712	4	2	1	Mat-Foot LH
94-3722-01	9	11	1	Fender
94-3723	5	11	1	Hourmeter
94-3725-01	4	16	1	Belt-Guard
94-3726-01	10	18	1	Bracket
94-3727	11	1	1	Knob
94-3729	10	28	1	Retainer-Bolt
94-3735	10	22	2	Nut-Wing
94-3736	1	23	1	Plate-Logo
94-6650	10	8	1	ASM-Plate
94-6652	11	22	1	ASM-Brake
94-6658	3	34	1	Decal-Plate
94-6664	12	2	1	Shield-Heat
94-6665	16	5	1	ASM-Battery/Decal
94-6671	13	6	1	ASM-8 Spd
94-6673-01	2	22	1	Frame
94-6680	27	4	1	Clip-Retaining New
94-6680	31	9	1	Clip-Retaining New
94-6683	7	17	1	Sleeve-Protective
94-6683	8	21	1	Sleeve-Protective
94-6692-01	17	18	1	Bracket-Support
94-6693-01	17	12	1	Bracket-Support
94-9700-03	12	24	1	Shield-Heat
94-9701	12	27	4	Spacer
95-5142	13	2	1	ASM-Rod
95-5143-01	19	9	1	Case-Trans
101711-01	15	25	1	Plate-Front Hitch
101847-03	13	4	1	Dipstick
102644-01	15	3	2	Plate-Hitch
103478-01	10	7	1	Housing-Clutch
103543-03	8	5	1	Bellcrank-Brake

*Not Illustrated

Toro Part Number Index (cont.)

Part No.	Page No.	Ref. No.	Qty.	Description
105763-03	13	28	2	Hub-Wheel
105896-01	7	12	1	Arm-Clutch Rod
106250-03	3	27	1	Cover-Dust
106258-03	6	23	1	Sleeve
106345-03	6	25	1	Casting-Lift Lever
106352-01	4	13	1	Guard-Lower Belt
106411-03	6	6	1	ASM-Lift Hgt Cont Bkt
106451-03	8	9	1	Lever-Parking Brake
107951-03	3	28	1	Bracket-Fender Front
108563-03	6	16	1	ASM-Lift Lever
109554-03	18	18	1	Bracket-Guard
111200-01	19	6	1	Case-Trans
111271-03	3	13	1	Console
111386-03	3	5	1	Plate-Shift
113381-01	2	32	1	Spindle-LH
113382-01	2	31	1	Spindle-RH
113445-01	6	31	1	Bar-Lift
113853-03	11	13	1	Bracket-PTO
113935-01	4	6	1	Cover-Side LH
114215-03	12	20	1	Cover-Exhaust Front
114216-03	12	6	1	Cover-Exhaust Rear
116609-03	12	14	1	Plate-Engine
118280-03	18	11	1	Bracket-Fuse Holder
120320-03	7	25	1	Guide-Belt Bottom
120590-03	5	2	1	Stop-Throttle
153-0423	32	11	1	Lever-Choke
1644-01	15	7	1	Hitch ASM
237-69	2	20	1	O-Ring
2412-98	17	21	2	Clamp-Hose
281-2	20	12	1	Plug-Pipe
281-10	20	13	1	Plug-Pipe
288-4	12	11	1	Cap-Pipe
302-5	2	28	2	Fitting-Grease
302-5	7	21	1	Fitting-Grease
302-5	8	19	1	Fitting-Grease
302-11	2	7	2	Fitting-Grease
321-3	13	7	2	Screw-HH
321-4	16	3	2	Screw-HH
321-9	7	31	1	Screw-HH
321-31	7	7	1	Screw-HH
322-1	2	24	1	Screw-HH
322-2	6	39	2	Screw-HH
322-2	17	15	2	Screw-HH
322-3	12	23	4	Screw-HH
322-3	17	17	4	Screw-HH
322-4	9	4	4	Screw-HH
322-5	3	3	2	Screw-HH
322-5	6	24	3	Screw-HH
322-6	6	34	1	Screw-HH
322-6	7	27	1	Screw-HH
323-5	13	14	4	Screw-HH
323-6	2	2	2	Screw-HH
323-6	10	19	1	Screw-HH
323-6	12	12	4	Screw-HH
323-7	11	15	2	Screw-HH
323-8	2	6	2	Screw-HH
323-8	12	19	4	Screw-HH
323-9	8	14	1	Screw-HH
323-11	19	14	5	Screw
323-16	19	10	1	Screw-HH
323-44	15	1	6	Screw-HH
3217-5	13	16	1	Nut-Hex

*Not Illustrated

Toro Part Number Index (cont.)

Part No.	Page No.	Ref. No.	Qty.	Description
3217-27	5	12:	1	Nut-HH
3218-1	11	9	2	Nut-Jam
3218-3	13	27	4	Nut-HJ
3229-25	1	14	4	Screw-CARR
3229-25	11	20	2	Screw-CARR
3230-1	4	12	1	Bolt-CARR
3231-25	15	26	3	Screw-CARR
3234-33	18	24	4	Screw-HFW
3235-22	17	10	2	Screw-HH
3242-2	13	20	1	Screw Set-SH
3243-5	13	26	4	Screw-Set
3246-2	10	11	2	Screw-HSH Set
3247-4	35	34	2	Screw-HS
3250-31	9	20	4	Screw-Phcr
3253-2	27	10	3	Washer-Lock #10
3253-3	11	10	2	Washer-Lock
3253-3	13	8	2	Washer-Lock
3253-4	2	25	1	Washer-Lock
3253-4	12	22	4	Washer-Lock
3253-4	17	14	2	Washer-Lock
3253-5	35	33	5	Washer-Lock
3253-21	11	14	2	Washer-Lock
3253-21	13	15	4	Washer-Lock
3254-1	9	23	4	Washer-Lock
3254-2	1	21	1	Washer-Lock
3255-25	5	12:	1	Washer-Lock
3256-3	7	26	1	Washer-Flat
3256-4	17	9	2	Washer-Flat
3256-5	6	20	1	Washer-Flat
3256-22	1	12	3	Washer-Flat
3256-22	7	30	1	Washer-Flat
3256-22	11	11	2	Washer-Flat
3256-23	3	4	2	Washer-Flat
3256-23	6	5	3	Washer-Flat
3256-23	11	25	1	Washer-Flat
3256-24	7	10	1	Washer-Flat
3256-24	8	11	1	Washer-Flat
3256-24	12	18	4	Washer-Flat
3256-25	6	33	1	Washer-Flat
3256-26	8	2	1	Washer-Flat
3256-26	15	9	1	Washer-Flat
3256-27	10	24	1	Washer-Flat
3256-37	5	19	1	Washer-Flat
3256-62	6	2	2	Washer-Flat
3272-1	1	16	2	Pin-Cotter
3272-6	7	9	1	Pin-Cotter
3272-10	6	27	1	Pin-Cotter
3272-10	7	15	1	Pin-Cotter
3272-10	8	22	1	Pin-Cotter
3272-10	11	5	3	Pin-Cotter
3272-17	14	7	2	Pin-Cotter
3272-19	2	11	1	Pin-Cotter
3272-21	2	18	1	Pin-Cotter
3290-378	1	22	1	Tie-Cable
3290-479	4	3	16	Fastener-Panel
3296-6	2	3	4	Nut-Lock
3296-27	9	24	4	Nut-Lock
3296-29	3	26	2	Nut-Lock
3296-29	4	11	7	Nut-Lock
3296-29	6	4	6	Nut-Lock
3296-29	7	24	1	Nut-Lock
3296-29	9	16	2	Nut-Lock

*Not Illustrated

Toro Part Number Index (cont.)

Part No.	Page No.	Ref. No.	Qty.	Description
3296-29	17	13	4	Nut-Lock
3296-39	2	23	4	Nut-Lock
3296-39	6	37	1	Nut-Lock
3296-39	8	15	1	Nut-Lock
3296-39	12	17	8	Nut-Lock
3296-39	15	24	3	Nut-Lock
3296-39	19	5	6	Nut-Lock
3296-42	1	11	4	Nut-Lock
3296-42	7	4	2	Nut-Lock
3296-42	16	12	2	Nut-Lock
3296-42	18	19	4	Nut-Lock
3296-58	9	2	2	Nut-Flange
3296-59	11	18	1	Nut-Lock
32103-22	16	11	2	Nut-Wing
32120-47	6	30	1	Ring-Retaining
32120-62	10	4	1	Ring-Retaining
32120-72	10	3	2	Ring-Retaining
32120-93	2	34	2	Snap Ring
32121-25	6	15	1	Pin-Roll
32121-103	6	14	1	Pin-Spring
32121-111	2	15	1	Pin-Spiral
32128-19	8	7	1	Nut-Lock
32128-40	10	17	1	Nut-Lock
32136-5	2	10	1	Nut-Slotted
32144-28	12	25	4	Screw-Phcr
32144-110	12	28	4	Screw-HWHTF
32146-2	7	6	1	Nut-Lock
32149-9	5	11:1	2	Nut/Washer-Lock
32151-11	11	3	1	Ring-Grip
32151-91	6	1	1	Ring-Retaining
541-0275	31	14	1	Manifold-Intake (216)
5638-01	2	27	1	Axle-Front

*Not Illustrated

Hood Assembly	1
Frame Axle and Steering System	2
Hoodstand, Console	3
Footrest & Hoodstand Side Covers	4
Gauges, Warning Lights & Controls	5
Manual Lift System	6
Clutch	7
Brake	8
Fender, Seat & Tail Lights	9
PTO Clutch And Cover	10
PTO Clutch System	11
Engine Assembly	12
Transmission Assembly	13
Wheel Assemblies	14
Hitch Assembly	15
Battery Assembly	16
Fuel Tank Assembly	17
Hoodstand Electrical Housing & Wire Harness	18
Transmission 8–Speed 8 Pinion	19
Transmission 8–Speed 8 Pinion (Continued)	20
Starter	21
Engine Housing	22
Flywheel	23
Cam & Crankshafts	24
Oil Fill Tube & Base	25
Oil Filter	26
Gear Case & Ignition Controls	27
Ignition Electronics	28
Air Cleaner	29
Governor	30
Intake Manifold & Carburetor	31
Choke Control	32
Fuel Filter & Pump	33
This Page Intentionally Left Blank	34

Engine Cylinder Block	35
Engine Cylinder Block	36
Wire Harness & Cable Routing	37
Electric Schematic	38
416–8e Wire Harness Attachment & Component’s	39
Engine Wire Harness	40
PC Board & Test Switch	41