



**Count on it.**

**Parts Catalog**

**264 Series Valves**

Model No. 264 Series Valves



# Ordering Replacement Parts

To order replacement parts, please supply the part number, the quantity, and the description of each part desired.

## Understanding Reference Numbers

Each identified part in an illustration has a reference number. The reference number for a part also appears in the parts list, along with other information about the part.

This catalog uses two special reference number formats, one to indicate parts in a service assembly and another to indicate the quantity of a given part in an illustration.

## Service Assembly Reference Numbers

Parts in service assemblies have reference numbers in the form a:b. The a represents the reference number of the entire service assembly and the b represents a sequential number unique to each part within the service assembly.

For example, a wheel assembly might be identified by reference number 6, the tire by 6:1, the valve by 6:2, and the wheel by 6:3. When you order the assembly identified by reference number 6, you receive all parts identified by reference numbers 6:1, 6:2, and 6:3. However, you may also order any part individually. Reference numbers of this type appear in illustration and in parts lists.

## Reference Numbers Indicating Quantity

In an illustration, if a reference number indicates more than one part, the reference number has the form nX y. The n represents the quantity of the part, the X is the multiplication symbol, and the y represents the reference number.

For example, in an illustration, the reference number 2X 37 means that two of the parts identified by reference number 37 are indicated.

# List of Abbreviations

**AR:** as required

**ASM:** assembly

**BBC:** blade brake control

**BHTF:** button head thread forming

**CARR:** carriage

**CCW:** counter clockwise

**CW:** clockwise

**DEG:** degrees

**DPA:** Dual Point Adjustment

**ECM:** electronic control module

**EXT:** external

**FH:** flat head

**GA:** gauge

**HD:** heavy-duty

**HF:** hex flange

**HH:** hex head

**HHF:** hex head flange

**HHFTF:** hex head flange thread forming

**HJ:** hex jam

**HLH:** hex lag head

**HOC:** height-of-cut

**HSBH:** hex socket button head

**HSFH:** hex socket flat head

**HSH:** hex socket head

**HWH:** hex washer head

**HWTF:** hex washer head thread forming

**HYD:** hydraulic

**LH:** left hand

**LPG:** Liquid Propane Gas

**NI:** nylon insert

**NPTF:** national pipe thread fine

**PFH:** phillips flat head

**PPH:** phillips pan head

**PPHTF:** phillips pan head thread forming

**PRH:** phillips round head

**PTH:** phillips truss head

**PTO:** power-take-off

**RH:** right hand

**ROPS:** roll-over protection system

**RRB:** rear roller brush

**SFH:** slotted fillister head

**SHH:** slotted hex head

**SHWH:** slotted hex washer head

**SPH:** slotted pan head

**SQH:** square head

**SRH:** slotted round head

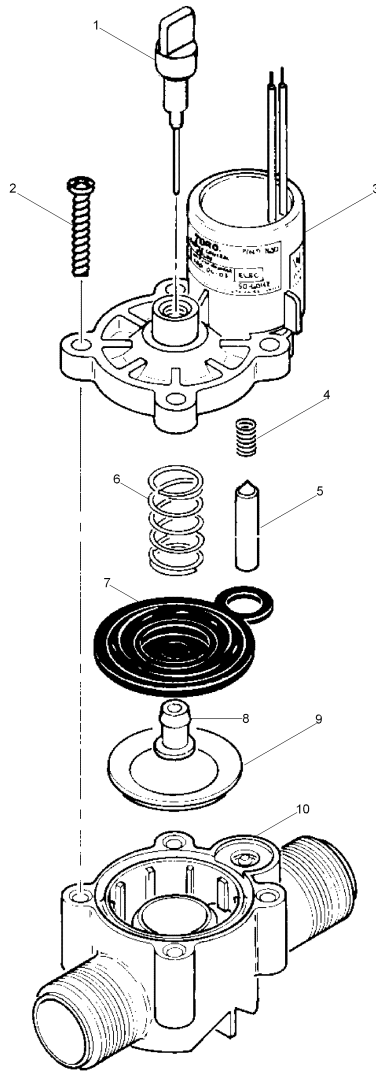
**STD:** standard

**TAP:** self tapping

**TTH:** torx truss head

# Contents

264 Series, 3/4 Inch Valves ..... 4  
264 Series, 1 Inch Valve ..... 6

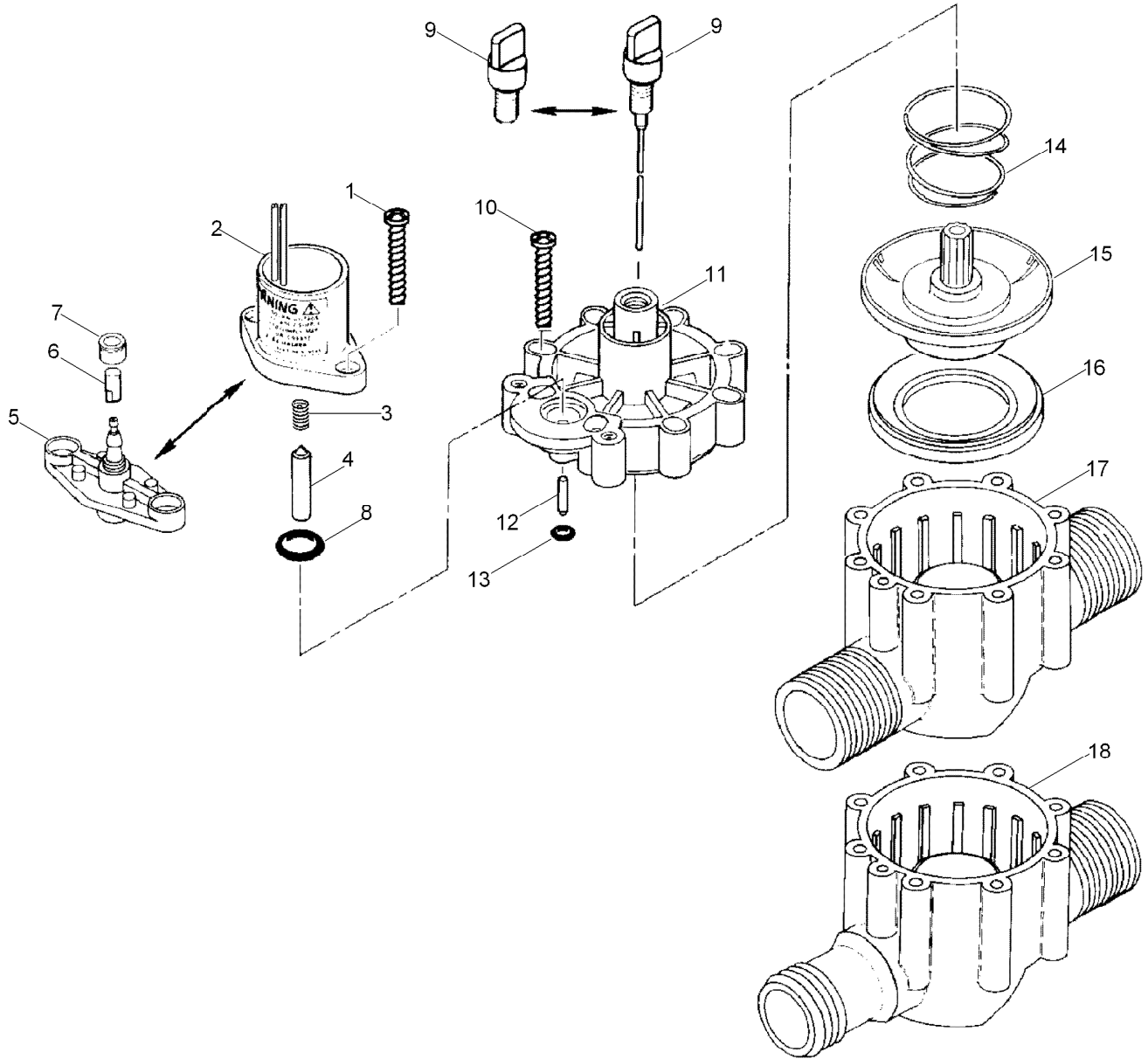


## 264 Series, 3/4 Inch Valves

Ref.	Part Number	Qty.	Description
1	35-4889	1	Bleed Screw Assy. With Pin
2	363-1493	4	Screw, #10 X 1
3	9-7413	1	Cap Assy.
4	9-6148	1	Spring-Plunger, Solenoid, EI
5	9-6527	1	Plunger Assy., EI
6	9-7619	1	Spring, Diaphragm
7	35-8941	1	Diaphragm Assy. (Includes Item 8)
8		1	Plug, Metering, Diaphragm ●
9	9-7835	1	Support, Diaphragm
10	9-7992	1	Body, Valve

● Not serviced separately

# 264 Series, 1 Inch Valve



## 264 Series, 1 Inch Valve (continued)

<i>Ref.</i>	<i>Part Number</i>	<i>Qty.</i>	<i>Description</i>	<i>Ref.</i>	<i>Part Number</i>	<i>Qty.</i>	<i>Description</i>
1	363-1493	2	Screw, #10 X 1	12	3-2016	1	Shaft, Idler, Lower, No And Pt
2		1	Solenoid Assy., EI (See Service Item 89-0878)▲	13	1-2035	1	O-Ring, EI, Pr And Cr (0.070" X 0.114" X 0.254") (As568-006)
3	9-6148	1	Spring-Plunger, Solenoid, EI	14	9-7110	1	Spring, Diaphragm, EI And No
4	9-6527	1	Plunger Assy., EI	15	35-2824	1	Diaphragm ASM, 1", EI
5	35-3776	1	Adapter Assy., No	15	35-2943	1	Diaphragm Assy., 1", No Hyd
6	89-8157	1	Cap, 1/4", Poly, No	16	9-6331	1	Support, Diaphragm
7	900-40	1	Retainer, Tube, Pr And Cr◆	17	9-8311	1	Body, M X M, 1", Npt
8	2-9652	1	O-Ring, 7/16" X 5/8", No (As568-111)	18		1	Body, M X B, 1", Npt▲
9		1	Bleed Screw, No▲		89-0878		Solenoid And Plunger Assy., EI (Includes Items 2-4)●■
9	35-2941	1	Bleed Screw Assy., EI, Fast-Closing		35-9354		Bleed Screw Assy., EI, Slow-Closing●■
10	363-4007	8	Screw, #10 X 1.25"				
11	9-8313	1	Cap, Valve W/O Fc, EI				
11	9-7291	1	Cap, Valve, W/O Fc, No And Pt				

● SERVICE ITEMS

▲ Not serviced separately

◆ Order Through Finished Goods Distribution System - Minneapolis

■ Not illustrated



**Count on it.**