



Count on it.

Parts Catalog

Powervac Gas-Powered Blower

Model No. 51985—Serial No. 312000001 and Up



Ordering Replacement Parts

To order replacement parts, please supply the part number, the quantity, and the description of each part desired.

Understanding Reference Numbers

Each identified part in an illustration has a reference number. The reference number for a part also appears in the parts list, along with other information about the part.

This catalog uses two special reference number formats, one to indicate parts in a service assembly and another to indicate the quantity of a given part in an illustration.

Service Assembly Reference Numbers

Parts in service assemblies have reference numbers in the form a:b. The a represents the reference number of the entire service assembly and the b represents a sequential number unique to each part within the service assembly.

For example, a wheel assembly might be identified by reference number 6, the tire by 6:1, the valve by 6:2, and the wheel by 6:3. When you order the assembly identified by reference number 6, you receive all parts identified by reference numbers 6:1, 6:2, and 6:3. However, you may also order any part individually. Reference numbers of this type appear in illustration and in parts lists.

Reference Numbers Indicating Quantity

In an illustration, if a reference number indicates more than one part, the reference number has the form nX y. The n represents the quantity of the part, the X is the multiplication symbol, and the y represents the reference number.

For example, in an illustration, the reference number 2X 37 means that two of the parts identified by reference number 37 are indicated.

List of Abbreviations

AR: as required

ASM: assembly

BBC: blade brake control

BHTF: button head thread forming

CARR: carriage

CCW: counter clockwise

CW: clockwise

DEG: degrees

DPA: Dual Point Adjustment

ECM: electronic control module

EXT: external

FH: flat head

GA: gauge

HD: heavy-duty

HF: hex flange

HH: hex head

HHF: hex head flange

HHFTF: hex head flange thread forming

HJ: hex jam

HLH: hex lag head

HOC: height-of-cut

HSBH: hex socket button head

HSFH: hex socket flat head

HSH: hex socket head

HWH: hex washer head

HWTF: hex washer head thread forming

HYD: hydraulic

LH: left hand

LPG: Liquid Propane Gas

NI: nylon insert

NPTF: national pipe thread fine

PFH: phillips flat head

PPH: phillips pan head

PPHTF: phillips pan head thread forming

PRH: phillips round head

PTH: phillips truss head

PTO: power-take-off

RH: right hand

ROPS: roll-over protection system

RRB: rear roller brush

SFH: slotted fillister head

SHH: slotted hex head

SHWH: slotted hex washer head

SPH: slotted pan head

SQH: square head

SRH: slotted round head

STD: standard

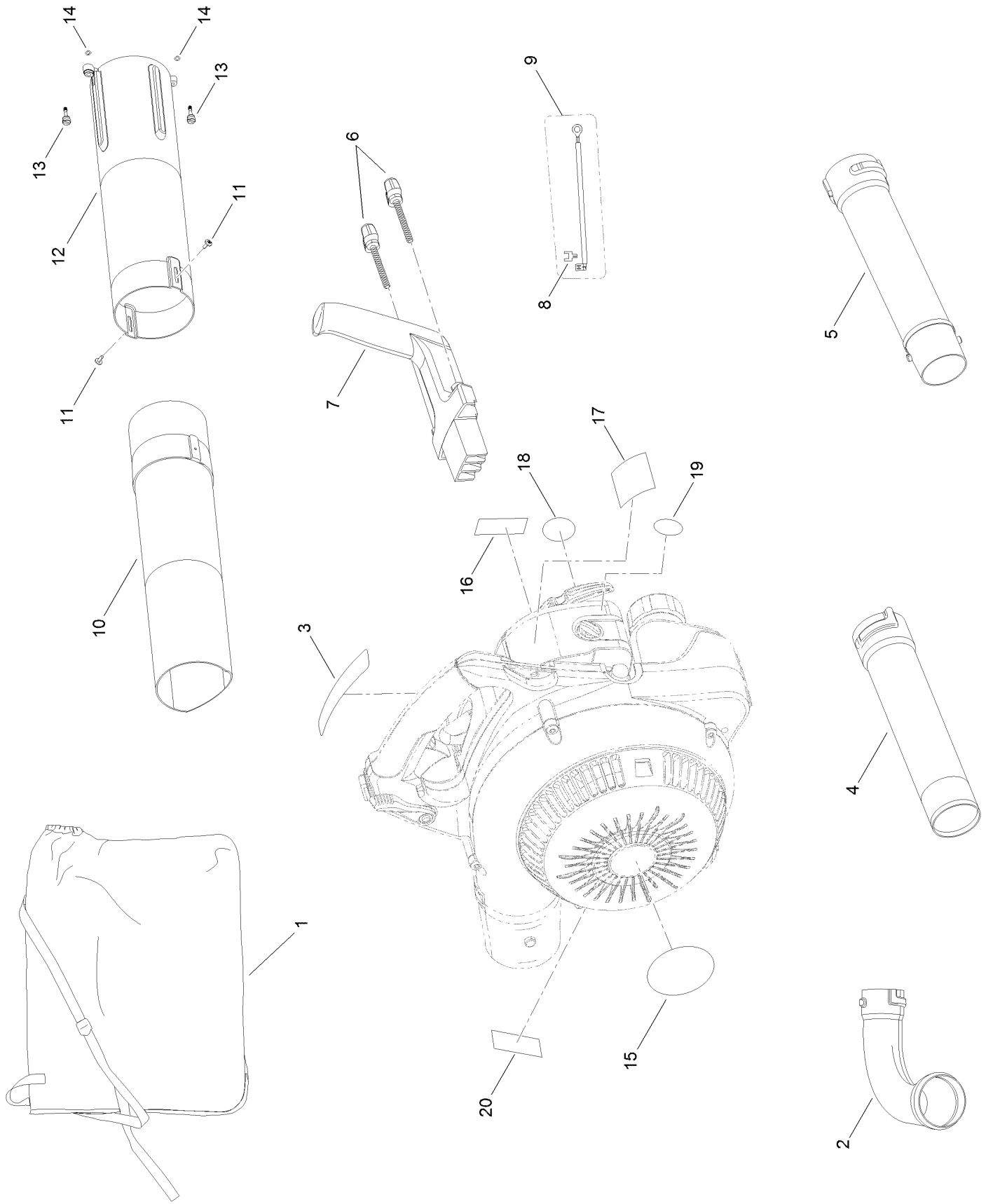
TAP: self tapping

TTH: torx truss head

Contents

Main Blower Assembly 4
Engine and Housing Assembly 6
Engine Component Assembly 8

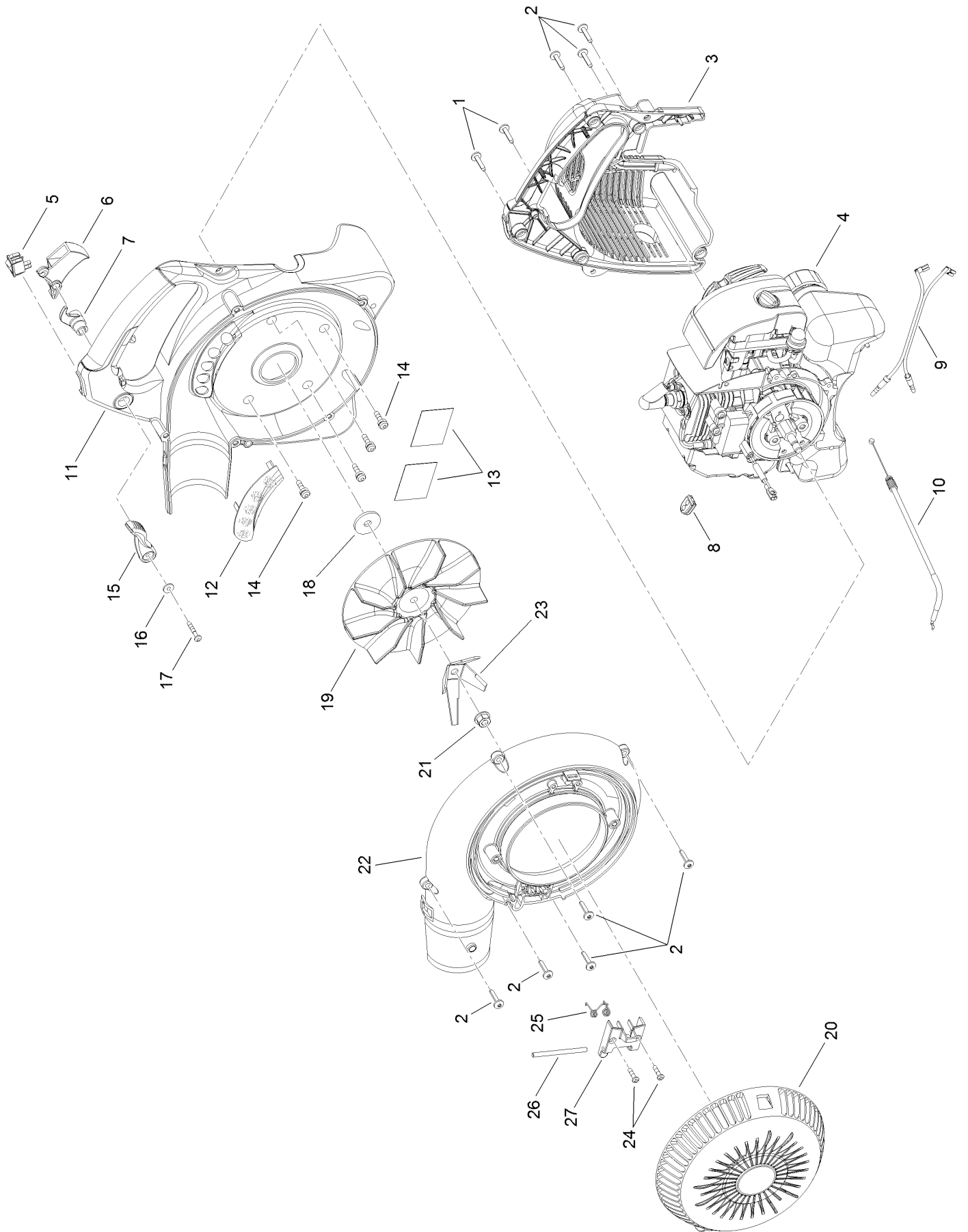
Main Blower Assembly



Main Blower Assembly (continued)

<i>Ref.</i>	<i>Part Number</i>	<i>Qty.</i>	<i>Description</i>	<i>Ref.</i>	<i>Part Number</i>	<i>Qty.</i>	<i>Description</i>
1	900960001	1	Bag-Vacuum	11	82632	2	Screw-Tube, Vac
2	570563002	1	Adaptor-Bag, Vacuum	12	580892002	1	Tube-Vacuum, Upper
3	940657043	1	Strip-Icon	13	660880001	2	Screw
4	580537002	1	Nozzle-Sweeper	14	650027001	2	Ring-E
5	570543002	1	Tube-Blower, Upper	15	940906001	1	Label-Door, Vacuum
6	518273001	2	Knob-Handle, Vacuum	16	940835003	1	Label-Choke
7	518180003	1	Handle-Vacuum	17	940908001	1	Label-Instructions, Starting
8	638081001	1	Tab	18	940907001	1	Label-Cover, Starter
9	120900007	1	Ground Wire Kit	19	940927001	1	Label-T25
10	570562002	1	Tube-Vacuum, Lower	20	940654088	1	Label-Combustion

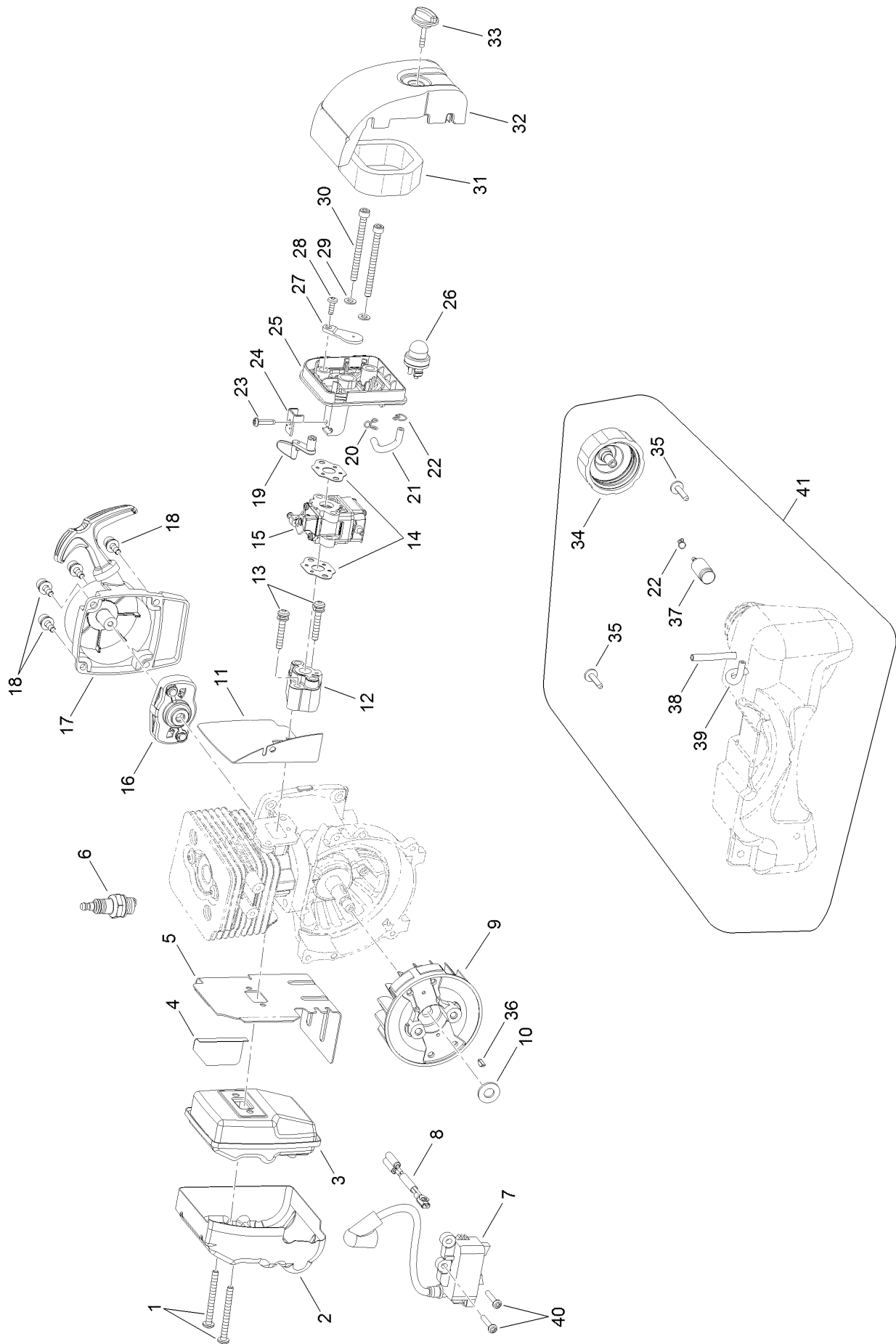
Engine and Housing Assembly



Engine and Housing Assembly (continued)

<i>Ref.</i>	<i>Part Number</i>	<i>Qty.</i>	<i>Description</i>	<i>Ref.</i>	<i>Part Number</i>	<i>Qty.</i>	<i>Description</i>
1	660674003	2	Screw	15	518160003	1	Lever-Control, Cruise
2	660674001	8	Screw	16	678125001	1	Washer-Steel
3	518323022	1	Shroud-Engine	17	660666001	1	Screw
4	308107022	1	Engine	18	678126005	1	Washer
5	760363005	1	Switch-Engine	19	518265002	1	Fan
6	518255002	1	Trigger-Throttle	20	522811001	1	Door-Vacuum
7	518150002	1	Lock-Throttle	21	678128002	1	Nut-Lock
8	570624001	1	Grommet-Rubber	22	518266045	1	Housing-Outer
9	290986001	1	Harness-Wire	23	678114001	1	Blade-Mulch
10	308209003	1	Cable-Throttle	24	660665001	2	Screw
11	518140043	1	Housing-Inner	25	678117001	1	Spring-Hinge
12	638179001	1	Screen-Mesh	26	650026002	1	Pin
13	900955001	2	Tape-Heat Shield	27	518632001	1	Hinge-Door, Vacuum
14	660344005	4	Screw				

Engine Component Assembly



Engine Component Assembly (continued)

<i>Ref.</i>	<i>Part Number</i>	<i>Qty.</i>	<i>Description</i>	<i>Ref.</i>	<i>Part Number</i>	<i>Qty.</i>	<i>Description</i>
1	660347001	2	Screw-Pan HD	22	690699001	2	Clip-Hose
2	638027001	1	Shield-Heat	23	660734001	1	Screw
3	300748034	1	Muffler ASM	24	638133003	1	Clip-Retaining
4	900955003	1	Tape-Shield, Heat	25	518130001	1	Plate-Carburetor
5	638183001	1	Gasket-Muffler	26	300780002	1	Primer ASM
6	870174001	1	Sparkplug-Rcj6Y	27	590946001	1	Plate-Choke
7	290178008	1	Ignition Coil ASM	28	660345001	1	Screw-Pan HD
8	290702001	1	Ignition Lead ASM	29	638764001	2	Washer
9	640574002	1	Rotor	30	660346001	2	Screw-Pan HD
10	678171002	1	Washer	31	560873001	1	Element
11	900711008	1	Gasket-Insulator	32	518253001	1	Cover-Box, Air
12	518329001	1	Insulator-Dam, Heat	33	590461001	1	Knob
13	660344003	2	Screw-Pan HD	34	310816005	1	Cap-Fuel
14	900711003	2	Gasket-Carburetor	35	660674001	2	Screw
15	308480001	1	Carburetor ASM	36	690688001	1	Key-Woodruff
16	308004001	1	Pulley ASM	37	300759005	1	Filter-Fuel
17	308430001	1	Recoil Starter ASM	38	570373027	1	Tube-Rubber
18	660351001	4	Screw-Pan HD	39	562967013	1	Tube-Rubber
19	590458001	1	Lever-Choke	40	660349001	2	Screw-Pan HD
20	690700001	1	Clip-Hose	41	310752008	1	Fuel Tank ASM
21	570373003	1	Hose				

Notes:

Notes:



Count on it.